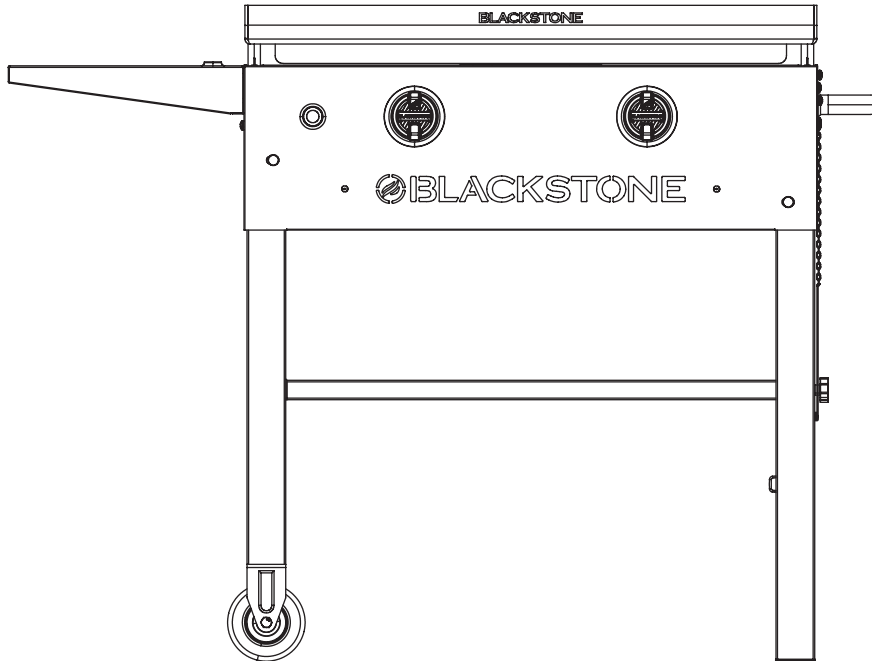


**MODEL: 2145EU** v12



OWNER'S MANUAL | ASSEMBLY INSTRUCTIONS FOR OUTDOOR GAS APPLIANCE

# 28" GRIDDLE

## TABLE OF CONTENTS

IMPORTANT SAFETY INFORMATION .....	02
WARRANTY .....	03
ASSEMBLY GUIDE .....	04
USING YOUR BLACKSTONE .....	08
TROUBLESHOOTING .....	14

### IMPORTANT:

Use outdoors only.

Read the instructions before using the appliance.

Retain this manual for future reference.

If you have any questions concerning assembly or operation, consult your dealer or LPG Gas Company.

### SAFETY ALERT KEY

#### ⚠ DANGER

Indicates a hazardous situation that, if not avoided, will result in death or serious injury.

#### ⚠ WARNING

Indicates a hazardous situation that, if not avoided, could result in death or serious injury.

#### ⚠ CAUTION

Indicates a hazardous situation that, if not avoided, could result in minor or moderate injury.

#### NOTICE

Indicates information considered important, but not hazard-related (e.g. messages related to property damage).

# IMPORTANT SAFETY INFORMATION

## FOR YOUR SAFETY

If you smell gas:

1. Turn off gas supply at gas cylinder.
2. Extinguish all naked flames; do not operate any electrical appliances.
3. Ventilate the area.
4. Check for leaks as detailed in this manual.
5. If odour persists, contact your dealer or gas supplier immediately.

## PRECAUTIONS

1. Leak test all connections after each tank refill.
2. Never check for leaks with a naked flame, always use a soapy water solution.
3. DO NOT store or use gasoline or other flammable vapours and liquids in the vicinity of this appliance.
4. Any gas cylinder not connected for use shall not be stored in the vicinity of this or any other appliance.



## HAZARDOUS FIRE OR EXPLOSION MAY RESULT IF INSTRUCTIONS ARE IGNORED.

It is the consumer's responsibility to see that the appliance is properly assembled, installed, and taken care of. Failure to follow instructions in this manual could result in injury and/or property damage.

<b>MODEL/TYPE NO.</b>	2145EU			<b>CE</b> 2531-23	<b>UK</b> <b>CA</b> 8504-23
<b>HEAT INPUT:</b>	2 x 5.0 kW	<b>TOTAL:</b>	10.0 kW (7271 g/h)		
<b>GAS CATEGORY:</b>	<b>I3+(28~30/ 37)</b>		<b>I3B/P(30)</b>	<b>I3B/P(50)</b>	
<b>TYPES OF GAS:</b>	Butane (G30)	Propane (G31)	G30, G31 or their mixtures		G30, G31 or their mixtures
<b>GAS PRESSURE:</b>	(28-30) mbar	37mbar	(28-30) mbar	50 mbar	
<b>PIN CODE:</b>	<b>CE:</b> 2531DN-0117		<b>UKCA:</b> 8504DO-0003		<b>UKCA:</b> 8504DO-0003
	BE, FR, IT, LU, IE, GB, GR, PT, ES, CY, CZ, LT, CH, SI, LV, TR		LU, NL, DK, FI, SE, CY, CZ, EE, LT, MT, SK, SI, BG, IS, NO, HR, RO, IT, HU, LV, GR		DE, AT, CH, SK
<b>Use outdoors only.</b>					
<b>Read the instructions before using the appliance.</b>					
<b>⚠ WARNING: Accessible parts may be very hot. Keep young children away.</b>					
<b>This appliance must be kept away from flammable materials during use.</b>					
<b>DO NOT move the appliance during use.</b>					
<b>Turn off the gas supply at the gas cylinder after use.</b>					
<b>DO NOT modify the appliance.</b>					

## REGULATOR AND HOSE REQUIREMENTS

- Use only regulators and hose approved for LP Gas at the above pressures. The hose used must conform to the relevant standard for the country of use.
- Use a suitable regulator that is certified to BSEN 12864 or EN 16129. Make sure the regulator and flexible hose comply with local code.
- The length of flexible hose shall not exceed 1.5m. In Finland, the length shall not exceed 1.2m. The hose should be certified according to applicable EN Standard and comply with local code.

Please consult your LPG dealer for information regarding a suitable regulator for the gas cylinder.

## ⚠ WARNING

The use of the wrong regulator or hose is unsafe; always check that you have the correct items before operating the appliance.

This appliance is only suitable for use with low-pressure butane or propane gas or LPG mixtures, fitted with the appropriate low-pressure regulator via a flexible hose.

The life expectancy of the regulator and hose is estimated as 2 years.



# WARRANTY

## WARRANTY OVERVIEW

North Atlantic Imports, the manufacturer, will warranty for two years from purchase all parts, workmanship, and finishes. It will be the manufacturer's option as to whether to repair or replace any of the above items. All warranties are limited to the original purchaser only. This warranty does not cover any liability on the part of North Atlantic Imports, its agents or employees, for any indirect or consequential damages for breach of warranty. The purchaser must follow the manufacturer's usage instructions.

Under no circumstances is the manufacturer responsible for damages from the failure to operate the cooking station properly. It is the responsibility of the purchaser to establish the warranty period by verifying the original purchase date with original sales receipt.

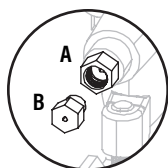
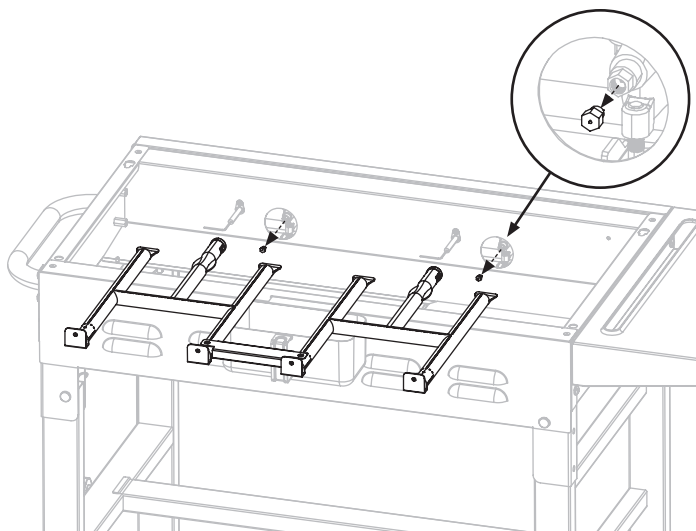
## ACCEPTABLE PRESSURE MODIFICATION

- Parts sealed by the manufacturer or his agent must not be altered by the user.
- No modifications should be made to any part of this appliance.
- Repairs and maintenance should only be carried out by a registered service engineer.

Have a professional make these alterations.

**STEP 01** Remove the screws to detach the burners.

**STEP 02** Remove the fuel nozzles (B) for low pressure countries. (28-30mbar) (Nozzle is left hand thread.)



### SIZE OF NOZZLE (ORIFICE)

(A) 29mbar (1.08 mm)

(B) 50mbar (1.10 mm)

## DETAILED EXPLANATION OF THE WARRANTY

North Atlantic Imports LLC warrants to the owner that the product covered by this agreement is free from defects in material and workmanship under normal use and service for which it was intended if, but only if, it has been operated in accordance with North Atlantic Imports LLC instructions exclusively for domestic use, and not for private or public club, institutional or commercial purposes.

North Atlantic Imports LLC's obligation under this warranty is limited to replacing or repairing, free of charge, any part or parts that may prove, to the satisfaction of North Atlantic Imports LLC, to be defective under normal home use and service within the following stated periods of time from the date of purchase; for two years from purchase, all parts, finish, and workmanship. Should any failure to conform to this warranty become apparent during applicable warranty periods stated above, the original purchaser must notify North Atlantic Imports LLC of breach of warranty within the applicable warranty period.

North Atlantic Imports LLC shall upon notice and compliance by the original purchaser with such instructions, correct such nonconformity by repair or replacement of the defective part or parts.

Correction in the manner provided above shall constitute a fulfillment of all obligations of North Atlantic Imports LLC with respect to the quality of the product.

North Atlantic Imports LLC does not warrant this equipment to meet the requirement of any safety code of any state, municipality or other jurisdiction, and the original purchaser assumes all risk and liability whatsoever resulting from the use thereof, whether used in accordance with North Atlantic Imports LLC instructions or otherwise.

This warranty does not cover and is intended to exclude any liability on the part of North Atlantic its agents, servants or employees whether under this warranty or implied by law for any indirect or consequential damages for breach on any warranty. The purchaser must establish all applicable warranty periods pursuant to this warranty by verifying the original purchase date by producing the dated sales receipt. This warranty shall not apply to this product or any other part thereof which has been subject to accident, negligence, alteration, abuse, or misuse or which has been repaired or altered without North Atlantic written consent, outside of North Atlantic Imports LLC factory. The full manufacturer warranty is not valid for griddles purchased from unlicensed, third-party resellers, purchased at a discount due to missing or damaged parts, or purchased as a floor model; at the discretion of North Atlantic Imports.

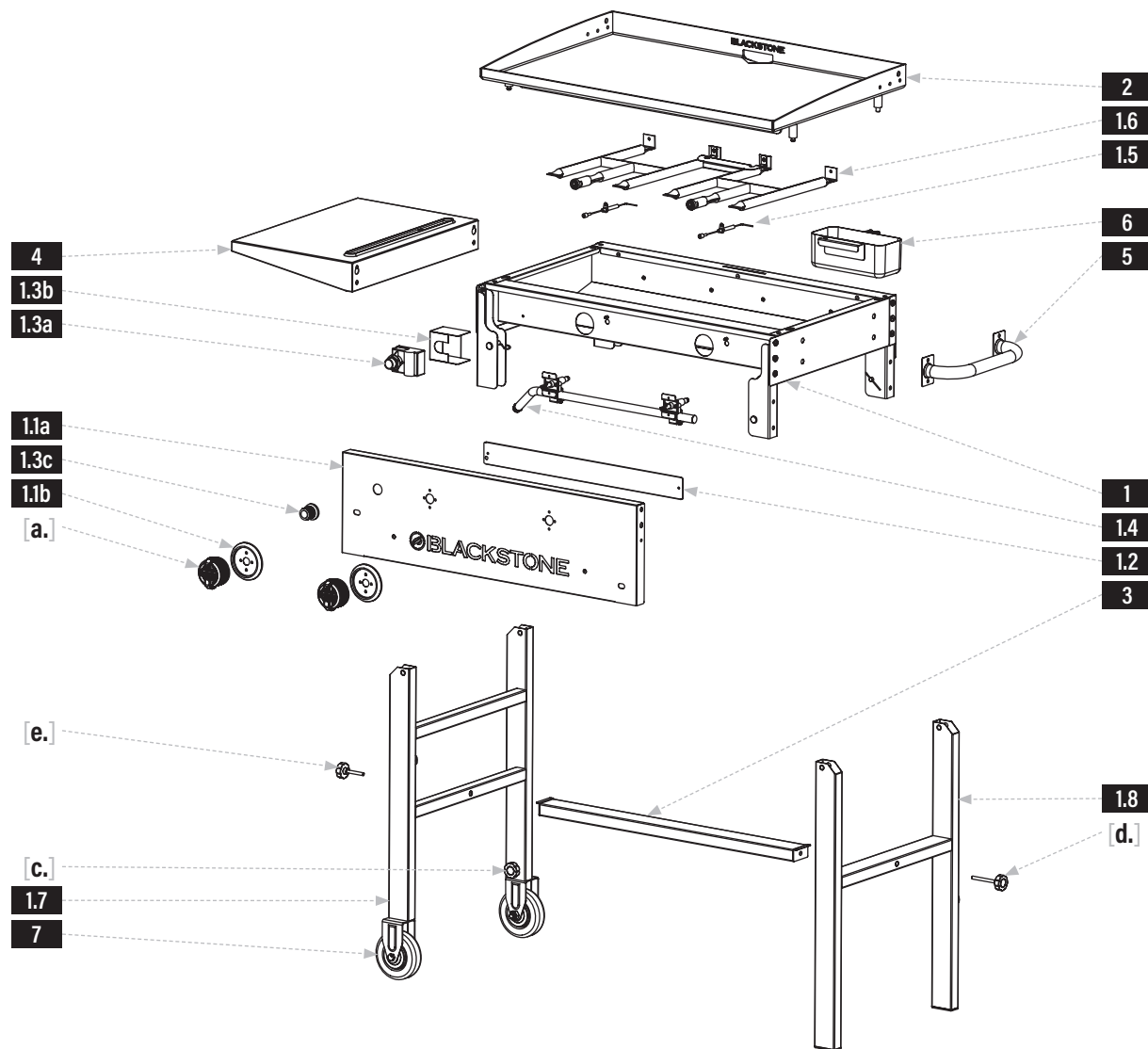
North Atlantic Imports LLC makes no warranty whatsoever in respect to accessories or parts not supplied with it. This warranty shall apply only within the boundaries of Europe. This warranty gives the original purchaser specific rights, and the original purchaser may also have other rights, which vary from state to state.

## ACTIVATE YOUR WARRANTY

Register your product at:  
[blackstone-europe.com/pages/product-registration](https://blackstone-europe.com/pages/product-registration)

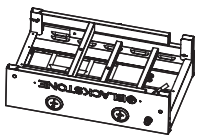
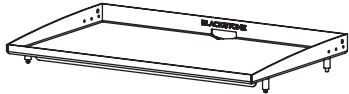


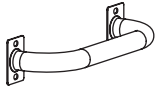
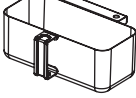

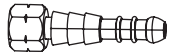
# ASSEMBLY GUIDE

## EXPLODED VIEW



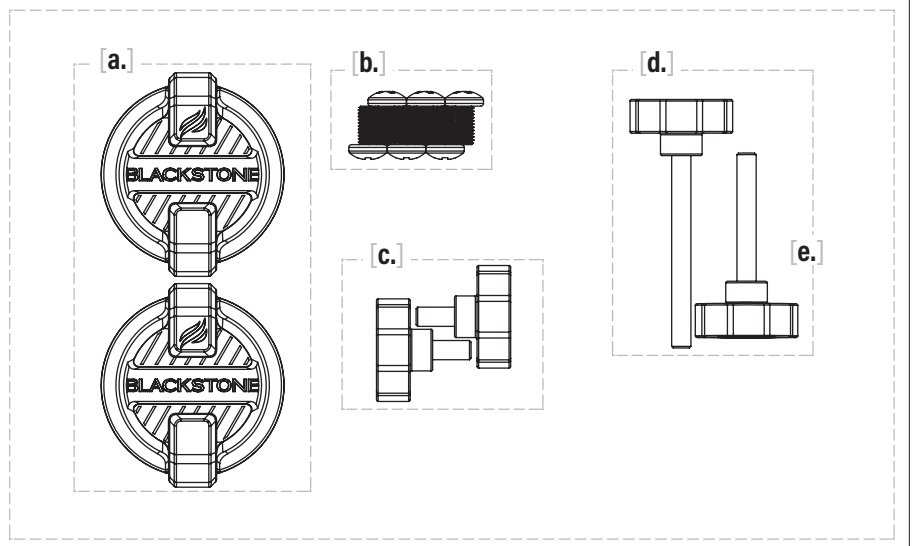
### PARTS LIST

PARTS	QTY
1.1a Control panel	1
1.1b Control knob bezels	2
1.2 Background panel	1
1.3a Ignitor	1
1.3b Heat shield	1
1.3c Ignition button	1
1.4 Gas rail	1
1.5 Ignition needles	2
1.6 H Burners	2
1.7 Left leg assembly	1
1.8 Right leg assembly	1

<p><b>1</b> Body (1 piece)</p> 	<p><b>2</b> Griddle top (1 piece)</p> 
<p><b>3</b> Leg brace (1 piece)</p> 	<p><b>4</b> Side shelf (1 piece)</p> 
<p><b>5</b> Side handle (1 piece)</p> 	<p><b>6</b> Grease cup (1 piece)</p> 
<p><b>7</b> Wheels (2 pieces)</p> 	<p><b>8</b> Hose barb (1 piece)</p> 



- 9** Hardware pack (1 piece)  
**a.** Control knobs (2 pieces)  
**b.** M6x12 screws (2 pieces)  
 Spares (4 pieces)  
**c.** Small thumb screws (2 pieces)  
**d.** Large thumb screw (1 piece)  
**e.** Medium thumb screw (1 piece)



## ASSEMBLY INSTRUCTIONS

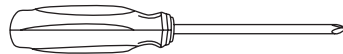
Find a large, clean area to assemble your appliance.  
 Remove all packing material before assembling.

**⚠ CAUTION**  
 Sharp edges. Wear gloves while assembling.

**⚠ CAUTION**  
 Heavy pieces. Two people should assemble this appliance.

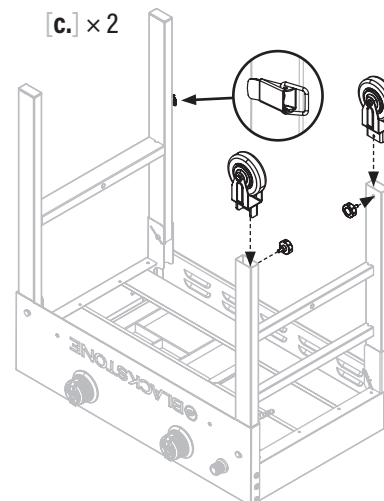


**NOT INCLUDED:**  
 AA battery



**TOOL NEEDED:**  
 #3 Phillips head screwdriver

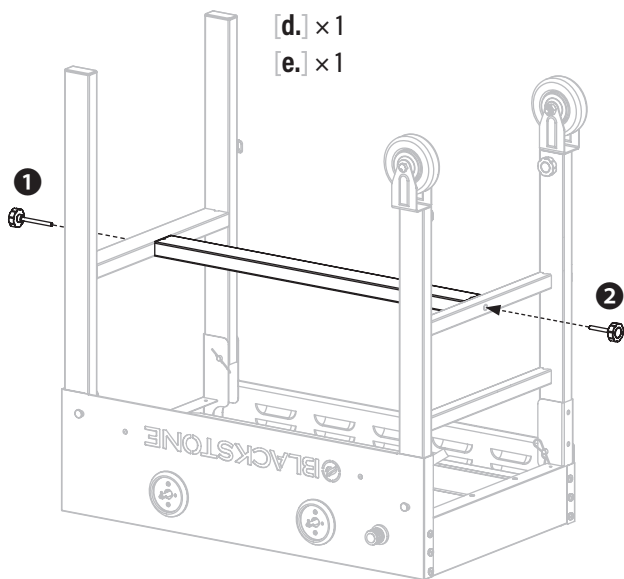
**STEP 01** With the help of another person, remove the griddle body from the packaging and lay it upside down on a smooth, flat surface. Unlatch and unfold the legs to their vertical position, then use two (2) small thumb screws [c.] to attach the two (2) wheels onto the ends of the left leg assembly.



**STEP 02** ① Use one (1) large thumb screw [d.] to attach the leg brace to the right leg assembly.

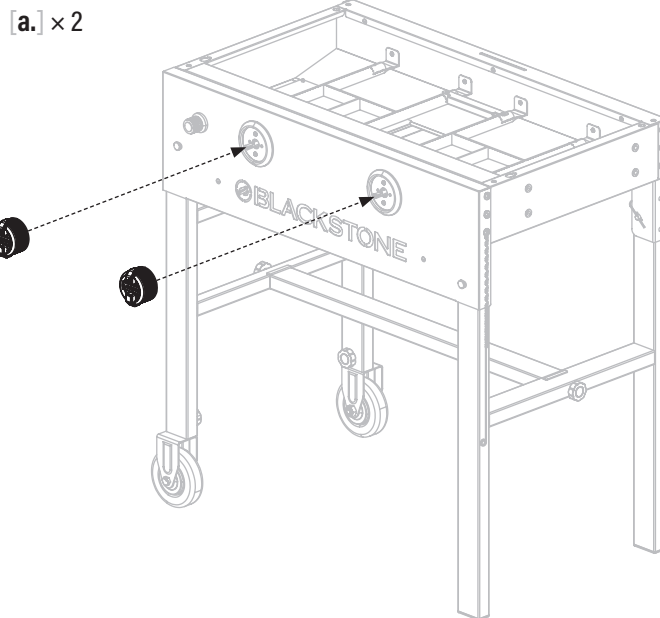
② Use one (1) medium thumb screw [e.] to attach the leg brace to the left leg assembly.

**Note:** This brace is integral to the stability of the appliance while in use.

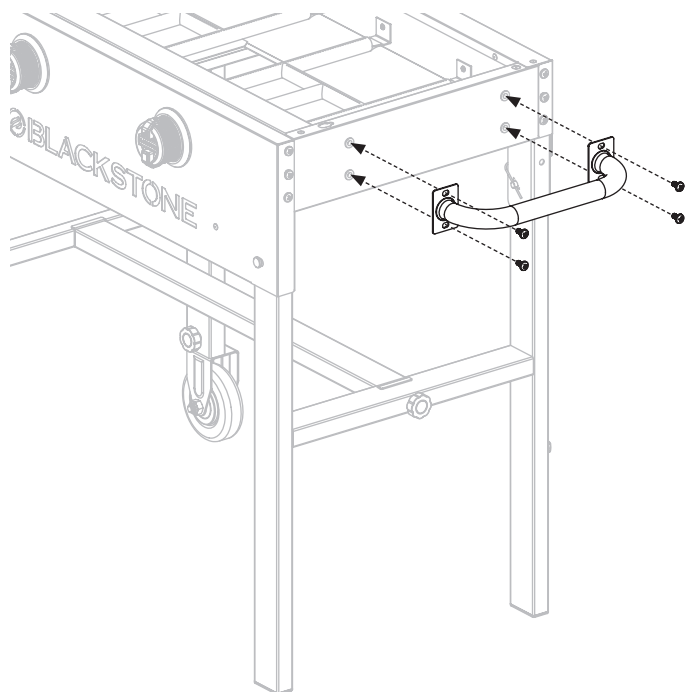


**STEP 03** With the help of another person, pick up the griddle body and set it on its wheels.

Install the two (2) control knobs [a.] by pushing them into place in the OFF position.

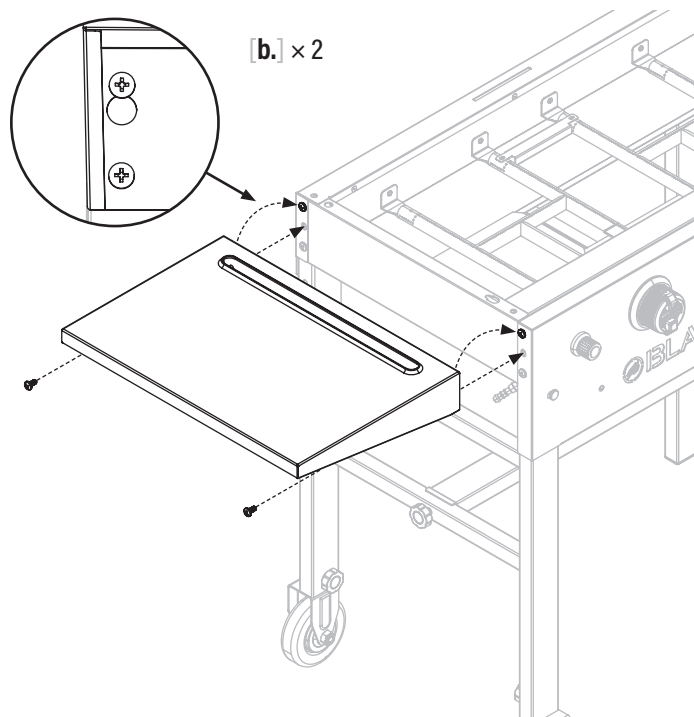


**STEP 04** Use the four (4) pre-installed screws on the right side of the griddle body to attach the side handle to the griddle body.



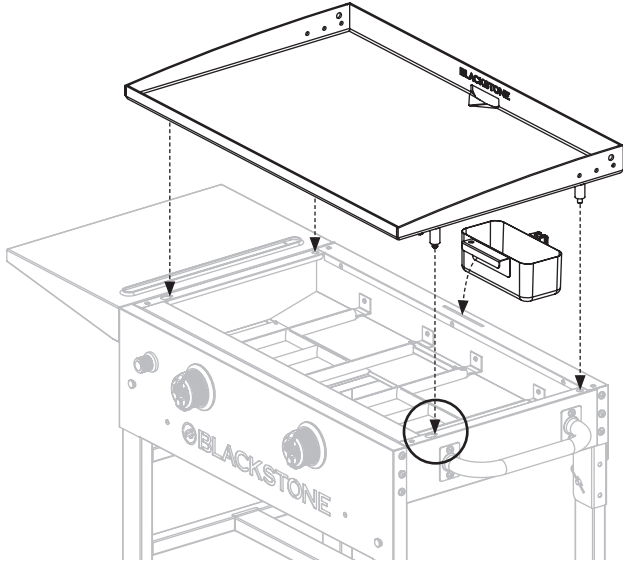
**STEP 05** Loosen the two (2) M6x12 screws on the left side of the griddle body.

Hook one (1) side shelf on these screws and use two (2) M6x12 screws [b.] to secure the side shelf to the left side of the griddle body. Tighten all four screws.

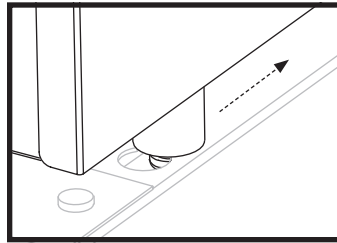


**STEP 06** Hang the grease cup in the slot at the back of the griddle body.

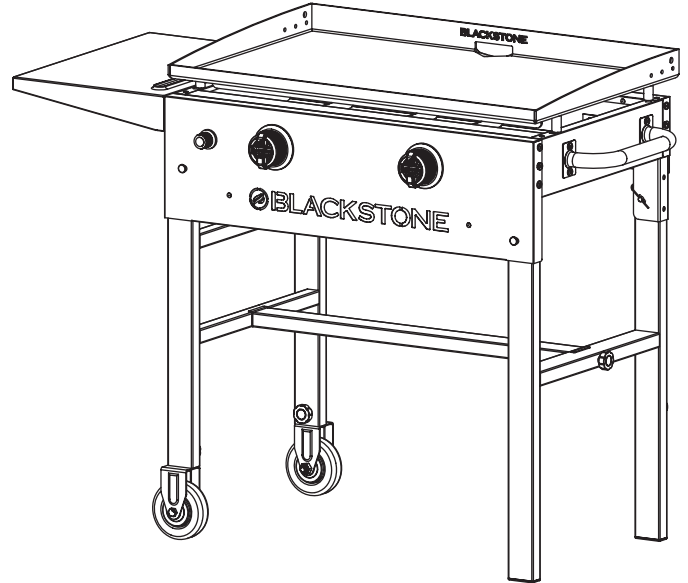
**With the help of another person,** place the griddle top on the main body by aligning the 4 pins to the holes of the body.



Make sure the front pins are seated in the holes, then push the griddle top back.



**STEP 07** Proceed to **USING YOUR BLACKSTONE.**



#### CAUTION

Handle will get hot while appliance is in use.  
DO NOT touch the handle while appliance is hot.

#### NOTICE

- Maximum weight on the side shelf is 10 lbs (4.5 kg).
- The side shelf may get hot while appliance is in use.

# USING YOUR BLACKSTONE

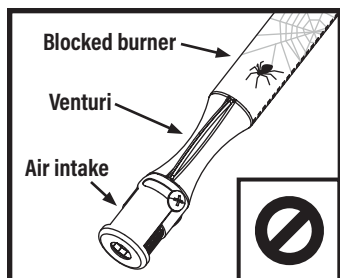
## BEFORE COOKING

### CHECK BURNERS

Prior to connection and use, ensure that there is no debris caught in, or damage to, the head of the gas cylinder, regulator, hose, burner and burner ports.

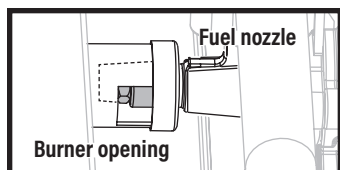
Spiders and insects can nest within and clog the burner/venturi tube at the orifice.

Please reference the Troubleshooting chapter for burner cleaning instructions.



**⚠ WARNING**

A clogged burner can lead to a fire beneath the appliance.  
Burner should be removed and cleaned whenever blockages are found.



**⚠** Ensure that the gas rail fuel nozzle orifice is correctly engaged within the burner opening.

**⚠ DANGER**

Flammable items can combust if placed near the appliance. Keep the appliance area clear and free from combustible materials, aerosol containers, gasoline and other flammable vapors and liquids.

**THE MINIMUM AMBIENT OPERATING TEMPERATURE IS 0°F (-18°C).**

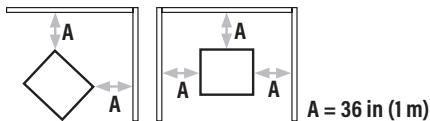
## SETTING UP YOUR OUTDOOR SPACE

**THIS APPLIANCE MUST ONLY BE USED OUTDOORS.**

- DO NOT use this appliance inside buildings, garages, or any other enclosed area.
- DO NOT install this appliance in or on a boat.
- DO NOT install this appliance in or on a recreational vehicle.

**MAINTAIN PROPER CLEARANCES FROM COMBUSTIBLE MATERIAL.**

- DO NOT use this appliance on or under any apartment or condominium balcony or deck.
- DO NOT obstruct the flow of combustion and ventilation air.
- DO NOT operate this appliance any closer than 36 in (1 m) from the sides and back of the appliance to combustible construction.



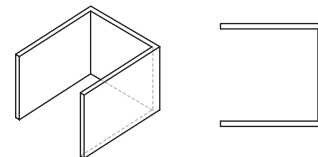
- DO NOT use this appliance under overhead combustible construction.

### SHELTERED OUTDOOR AREAS:

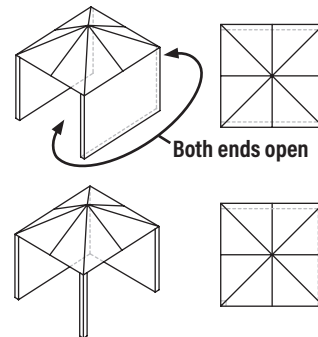
All openings must be permanently open; sliding doors, garage doors, windows or screened openings are not considered as permanent openings.

An appliance is considered to be outdoors if installed with shelter no more inclusive than:

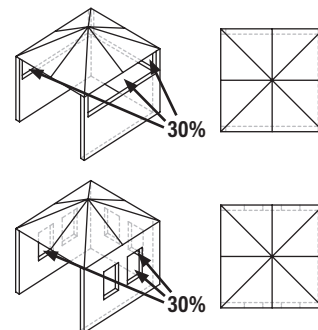
- a. With walls on three sides, but with no overhead cover.



- b. Within a partial enclosure that includes an overhead cover and no more than two sidewalls. The sidewalls may be parallel, as in a breezeway, or at right angles to each other.



- c. Within a partial enclosure that includes an overhead cover and three sidewalls, as long as 30% or more of the horizontal periphery of the enclosure is permanently open.





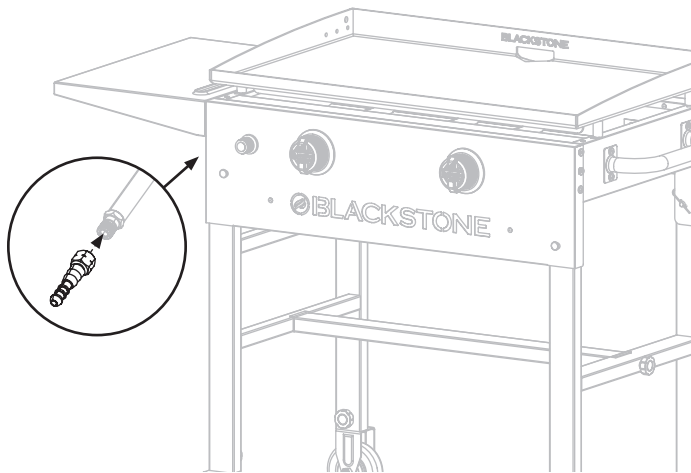


## ATTACHING THE FUEL CYLINDER

### ATTACHING THE REGULATOR

**STEP 01** The regulator and hose must be connected correctly to the appliance. A spanner must be used to tighten the nut onto the connection thread.

If using a fuel clamp, attach the hose barb to the gas rail.  
(Barb is left hand thread.)



**STEP 02** If the hose is replaced it must be secured to the appliance and regulator connections with hose clips.

#### AVOID TWISTING THE FLEXIBLE TUBE WHEN THE APPLIANCE IS IN USE.

- Ensure that the hose is not obstructed, kinked, or in contact with any part of the appliance other than at its connection.
- Worn or damaged hose must be replaced.
- Check the rubber O-ring on the regulator end of the hose assembly at least once a year. If it appears worn or cracked, have it replaced.
- Disconnect the regulator from the cylinder (according to the directions supplied with the regulator) when the appliance is not in use.

### LEAK TEST INSTRUCTIONS

**STEP 01** Make 2-3 fluid ounces of leak detecting solution by mixing one part washing up liquid with 3 parts water.

**STEP 02** Turn off the gas supply at the gas cylinder valve.

**STEP 03** Ensure the control valve is "OFF".

**STEP 04** Connect the regulator to the cylinder and ON/OFF valve to the burner, ensure the connections are secure then turn ON the gas.

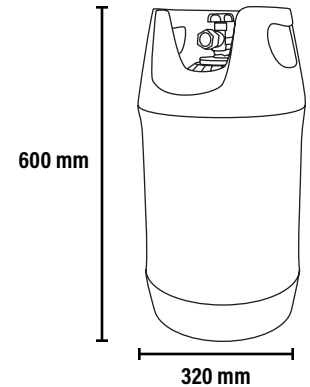
**STEP 05** Brush the soapy water onto the hose and all joints. If bubbles appear you have a leak, which must be rectified before use. Retest after fixing the fault.

**STEP 06** Turn off the gas supply at the gas container after use.

If leakage is detected again and cannot be rectified, DO NOT attempt to cure leakage but consult your gas dealer.

### LPG CYLINDER REQUIREMENTS

- Your appliance can be used with gas cylinders between 11 kg and 15 kg.
- The maximum size of the gas cylinder should be: Dia. 320mm, Height: 600 mm (regulator included).
- Follow the technical information as stated in the instruction manual and check with your local gas supplier to have a suitable gas cylinder for your appliance.



### GAS CYLINDER SAFETY

- The gas cylinder should not be dropped or handled roughly.
- If the appliance is not in use, the cylinder must be disconnected.
- Replace the protective cap on the cylinder after disconnecting the cylinder from the appliance.
- The gas cylinder must be sited outside the body of the appliance.
- Always connect or replace the cylinder in a well-ventilated area and away from any source of ignition, never in the presence of a flame, spark or heat source.
- Cylinders must be stored outdoors in an upright position and out of the reach of children. The cylinder must never be stored where temperatures can reach over 50°C. DO NOT store the cylinder near flames, pilot lights or other sources of ignition. DO NOT SMOKE.
- Make sure that the gas cylinder compartment (if any) is not obstructed, keep it ventilated and clean.
- You will need to have the cylinder serviced or replaced every ten years. The date of the last service should be stamped on the neck of the bottle.
- When used on the ground always place the appliance and cylinder on flat level ground.

# IGNITION INSTRUCTIONS

## 1. CHECK VALVES

**STEP 01** Turn knob to OFF position.

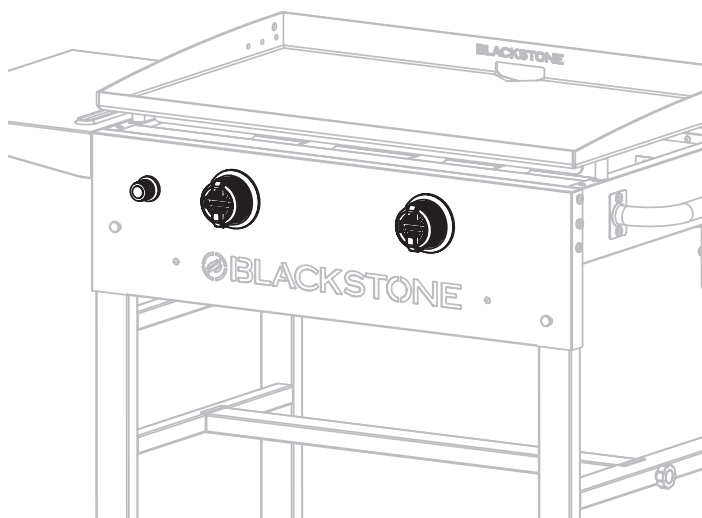
**STEP 02** Push in knob and release. Knob should spring back. If knobs DO NOT spring back, replace valve assembly before using appliance.

**STEP 03** Rotate knob to LOW then turn back to OFF. Knob should turn smoothly.

### ⚠ WARNING

If burner does not ignite with open gas supply valve, gas will continue to flow out of burner and could accidentally/inadvertently ignite with risk of injury.

Ensure gas is off at the supply shut off valve before checking appliance valves.



## 3. ALWAYS CHECK BURNER FLAME BEFORE USE.

**STEP 01** Light burners and rotate knobs from HIGH to LOW.

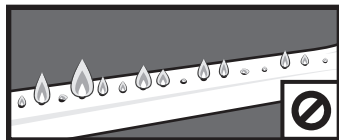
**STEP 02** Look below the cooking surface to view burners. When knob is at HIGH, flames should be larger than when knob is at LOW.

### HEALTHY FLAME PATTERN



- 1 Flickers of yellow color.
- 2 Dark blue color.
- 3 Vibrant blue.

### YELLOW OR IRREGULAR



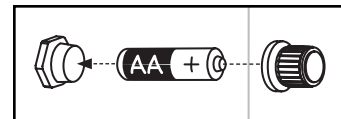
If there is a sudden drop or low flame issue, please reference the Troubleshooting chapter.

## 2. BATTERY POWERED IGNITION

⚠ DO NOT lean over the appliance while lighting.

**STEP 01** Insert one (1) AA battery (not included) under the ignitor button.

Screw the button into place over the positive terminal.



### STEP 02

1 Turn the control knob to OFF.

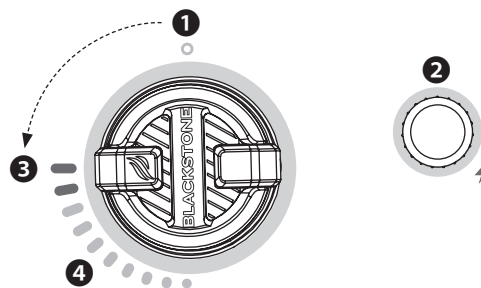
Turn gas ON by turning the gas cylinder handwheel counter-clockwise 1 to 3 turns.

### STEP 03

2 Push and hold the ignitor button.

3 Push and turn the control knob counter-clockwise to HIGH. (Release the ignitor button when the burner lights.)

4 Adjust the temperature to desired level.



### IF IGNITION DOES NOT OCCUR IN 5 SECONDS:

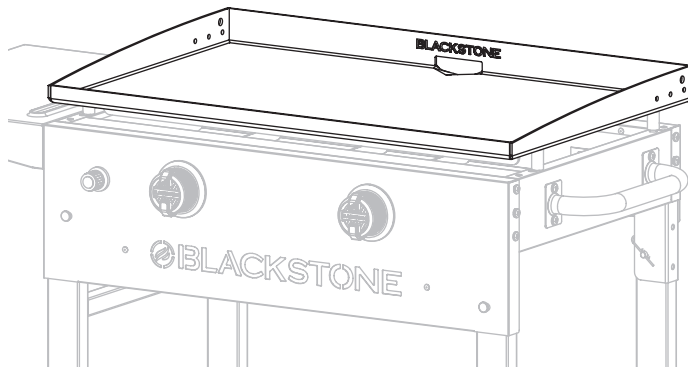
**STEP 01** Turn the burner control knob OFF.

**STEP 02** Wait 5 minutes.

**STEP 03** Repeat the lighting procedure.

If burner does not ignite, please reference the Troubleshooting chapter.

# GRIDDLE SEASONING INSTRUCTIONS



## WASHING YOUR GRIDDLE TOP BEFORE FIRST USE

### NOTICE

Soap will ruin a seasoned griddle. This is the only time you should use soap on the griddle cooking surface.

**STEP 01** Wash the griddle cooking surface with hot, soapy water.

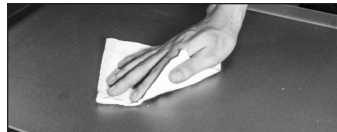
**STEP 02** Rinse and dry completely.



### VIDEO TUTORIAL

How to Season a New Blackstone Griddle  
[youtube.com/watch?v=VspmDVnj2pl&t=3s](https://www.youtube.com/watch?v=VspmDVnj2pl&t=3s)

**STEP 01** Wipe any debris off griddle top.

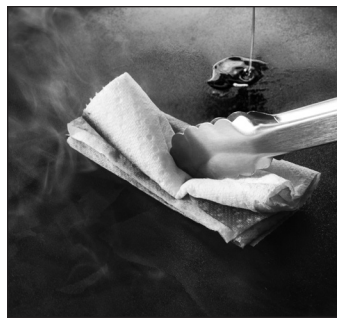


**STEP 02** Set your griddle to high heat until your griddle top changes color. (~10 min)



**STEP 03** Use tongs to hold a paper towel or cotton cloth and spread 2-3 tablespoons of your seasoning oil across the entire griddle top.

When seasoning your griddle top, remember to use a thin and even layer of oil—the thinner the layer of oil, the easier it will be to burn it off.



**STEP 04** The griddle top is ready for another layer of oil when it stops smoking. Repeat **STEP 03** 3-4 times, or until the griddle surface is black.



## WHAT OIL IS BEST TO USE?

- Blackstone Seasoning and Cast Iron Conditioner.
- Any plant-based cooking oil.
- Rendered animal fat with no additives.



## SEASONING TROUBLESHOOTING

### THERE IS A BROWNISH RESIDUE ON THE GRIDDLE SURFACE:

#### POSSIBLE CAUSES

- Too much oil was used.
- You turned off the heat too soon.

#### SOLUTION

- STEP 01** Turn your griddle on high and let it heat for 10-15 minutes.
- STEP 02** Scrape off as much of the thickened and partially cooked oil as you can.
- STEP 03** Re-season with a very thin layer of oil.

### THE EDGES OF THE GRIDDLE SURFACE ARE NOT BLACK:

After using your griddle for multiple cooks, the seasoning will even out and improve.

## PREVENTING RUST

Use your griddle frequently. Every time you cook, you are adding to the seasoning, which makes rust less likely.

### NOTICE

If you live in a humid or coastal climate, your griddle may require more frequent seasonings between uses.

If rust appears on the griddle surface, rub it off with steel wool, low grit sandpaper or the **Blackstone Pumice Stone** and re-season the surface.



### VIDEO TUTORIAL

Recovering your Blackstone Griddle Top  
[youtube.com/watch?v=thPE2lgnSil](https://www.youtube.com/watch?v=thPE2lgnSil)

## COOKING ON YOUR BLACKSTONE

### ⚠ CAUTION

This appliance will be hot during and after use. Use long-handled utensils and oven mitts/ protective gloves when handling potentially hot parts to protect against burns and splatters.

### ⚠ CAUTION

If the appliance is fitted with a paper towel holder, the arm must be in the open position while the appliance is in use.

### NOTICE

DO NOT store any items within 3 in (8 cm) of the cooking surface while in use.

### IF GREASE OR OTHER HOT MATERIAL DRIPS ONTO VALVE, HOSE OR REGULATOR:

**STEP 01** Turn off gas supply immediately.

**STEP 02** Determine the cause and correct it.

**STEP 03** Clean and inspect valve, hose and regulator.

**STEP 04** Perform a leak test. (Please reference the Leak Test Instructions)

## VIDEO RECIPES

Find recipes and cooking tips at:

[BlackstoneProducts.com/recipes](https://www.blackstoneproducts.com/recipes)

[youtube.com/BlackstoneGriddles](https://www.youtube.com/BlackstoneGriddles)

[@blackstoneproducts](https://www.facebook.com/blackstoneproducts)



**STRAWBERRIES AND CREAM PANCAKES**  
Breakfast

**OKLAHOMA FRIED ONION BURGER**  
Lunch



**TACOS BORRACHOS**  
Dinner

## CARE AND MAINTENANCE

### ⚠ WARNING

Grease build up can cause a fire. Clean any part of the appliance that gets hot and experiences grease build up after each use.

### ⚠ CAUTION

All cleaning and maintenance should be carried out when the appliance is cool and everything is turned OFF.

- DO NOT use abrasive pad on areas with graphics.
- If a bristle brush is used to clean any of the cooking surfaces, ensure no loose bristles remain on cooking surfaces prior to cooking.

### APPLIANCE BODY:

Wash with warm soapy water and immediately wipe dry with a non-abrasive cloth. (DO NOT allow cleaning agents to rest on any porous surface for a prolonged amount of time.)

### NOTICE

DO NOT use Citrisol, abrasive cleaners, or a concentrated cleaner on the appliance. This may result in damage to and failure of parts.

## APPLIANCE STORAGE

### ⚠ WARNING

DO NOT move the appliance when in use. Allow the appliance to cool to 115°F (45°C) before moving or storing.

Storage of an appliance indoors is only permissible if the gas supply is disconnected and removed from the appliance.

### COVER FIT GUIDE

Always cover your appliance when stored outdoors.



To find a cover that will fit your appliance, visit [BlackstoneProducts.com/support](https://www.blackstoneproducts.com/support).



## CLEANING YOUR GRIDDLE TOP

Clean griddle top after each use, while still warm.

- DO NOT use soap on the griddle top. This will destroy the griddle's seasoning.



### VIDEO TUTORIAL

How to Clean your Blackstone Griddle

▶ [youtube.com/watch?v=-ledu9z6NPY](https://www.youtube.com/watch?v=-ledu9z6NPY)

**STEP 01** Push loose food debris into the grease cup with spatula or straight metal scraper.



**STEP 02** Wipe down griddle top with paper towel.



**STEP 03** Apply a few tablespoons of water to the griddle surface, then scrape the water and debris into the grease cup.

(For stuck-on food residue, use a bit of coarse salt.)



**STEP 04** Wipe again with a paper towel and dry completely.



**STEP 05** Apply thin coat of cooking oil to maintain seasoning and protect the griddle top.



## EMPTY YOUR GREASE CUP

The grease cup must be removed and emptied after each use.

### ⚠ CAUTION

Grease cup will be hot during and after use. DO NOT remove the grease cup until the griddle has completely cooled.

# TROUBLESHOOTING

## IGNITION TROUBLESHOOTING

### BURNER WILL NOT IGNITE:

If ignition does not occur in 5 seconds:

**STEP 01** Turn the burner control knob OFF.

**STEP 02** Wait 5 minutes.

**STEP 03** Repeat the lighting procedure.

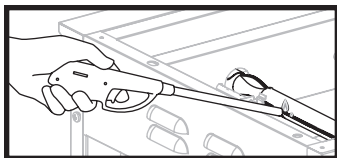
If this does not work, to determine the cause, please try to ignite your appliance with a match.

### MATCH LIGHTING INSTRUCTIONS

Before beginning, check for gas leaks. Open hood (if applicable).

**STEP 01** Turn control knob to OFF position.

**STEP 02** Light a match (or long lighter) no shorter than 11 inches long.



**STEP 03** Place the flame next to the burner.

**STEP 04** Push in and turn the control knob to start gas flowing. Ensure burner lights and stays lit.

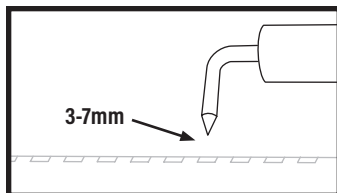
### IF YOU CAN IGNITE YOUR APPLIANCE WITH A MATCH:

#### POSSIBLE CAUSES

#### SOLUTION

Ignitor wire misaligned.

Ensure that the ignitor needle is positioned 3-7mm away from the burner, and aligned with the burner holes.

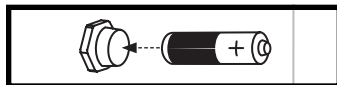


Damage to the ignition system.

Contact customer support for replacement parts.

Dead / improperly installed battery.

Replace with new battery.



### IF YOU CAN NOT IGNITE YOUR APPLIANCE WITH A MATCH:

#### POSSIBLE CAUSES

#### SOLUTION

Burner tubes are not receiving fuel.

Clean the burner assembly to remove the obstruction.

## GAS FLOW TROUBLESHOOTING

### BURNER FLAMES ARE YELLOW OR IRREGULAR:

- Appliance will not achieve a high heat or heats unevenly.
- Burner flames start strong, then immediately drop to low even when burner is set to high position.
- Flame height drops when a second burner is lit.
- Flames DO NOT extend the full length of the burner, or only run on one side of the burner.
- Burner flames are inconsistent.

#### POSSIBLE CAUSES

#### SOLUTION

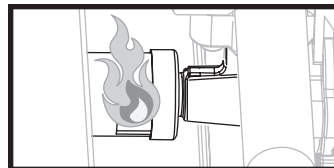
Obstructions in the burner, gas jets, or fuel rail.

Clean the burner, jets, and gas hose.

Gas cylinder is empty or low.

Refill or replace the gas cylinder.

### A FLAME IS COMING OUT OF THE AIR GATE:



#### POSSIBLE CAUSES

#### SOLUTION

Something is blocking the venturi in the burner.

Clean the burner assembly to remove the obstruction.



## CLEANING THE BURNER ASSEMBLY

To reduce chance of "flash-back" the procedure below should be followed at least once a month when spiders are most active or when your appliance has not been used for a period of time.



### VIDEO TUTORIAL

How to Clean Your Burner Tube

▶ [youtube.com/watch?v=xKQTCrFCzf8](https://www.youtube.com/watch?v=xKQTCrFCzf8)

**STEP 01** Detach the regulator assembly from the LPG cylinder by turning the quick Coupling Nut clockwise.

- Remove griddle top.
- Remove the burner by pulling the burner clip. Use a screwdriver or needle nose pliers.

**STEP 02** Carefully lift the burner up and away from the gas valve orifice.

**STEP 03** Clean the inside of the burner:

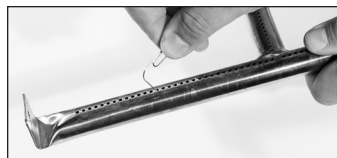
- Run a bottle brush (not a wire brush) or a stiff wire bent into a small hook through each burner tube several times.
- Use compressed air to blow through the burner tube and out the burner ports (Wear eye protection).



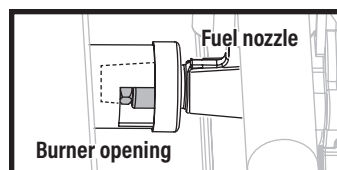
**STEP 04** Brush entire outer surface of burner to remove grime.



**STEP 05** Clean any blocked ports with stiff wire such as an open paper clip.



**STEP 06** Carefully replace burners and reattach, with attention to the location of the ignition needle.



⚠ The gas rail fuel nozzle must be reengaged within the burner opening.

## CUSTOMER SUPPORT

For all questions, inquiries, or customer support, please contact:

**Griddle Masters Europe ApS**

**Blackstone Europe**

**Tel. +45 2424 7709**

**Nordre Strandvej 119, 3150 Hellebæk**

**Denmark**

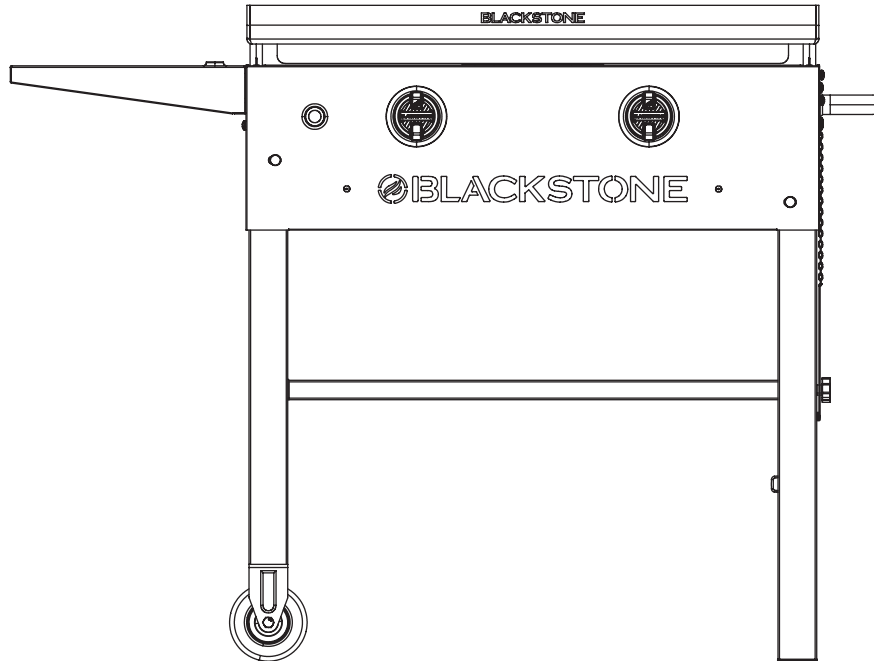
**[www.blackstone-europe.com](http://www.blackstone-europe.com)**



This product may be covered by one or more issued U.S. and/or international patents and may include patent applications pending. For more information, please visit: [BlackstoneProducts.com/patents](https://BlackstoneProducts.com/patents)

MANUFACTURER: NORTH ATLANTIC IMPORTS, LLC 1073 W 1700 N LOGAN, UT 84321 USA | BLACKSTONE IS A REGISTERED TRADEMARK OF NORTH ATLANTIC IMPORTS, LLC  
IMPORTED BY GRIDDLE MASTERS, NORDRE STRANDVEJ 119, 3150 HELLEBAEK, DENMARK





BEDIENUNGSANLEITUNG | MONTAGEANLEITUNG FÜR GAS-AUSSENGERÄT

# 28" GRILLPLATTE

## INHALTSVERZEICHNIS

WICHTIGER SICHERHEITSHINWEIS .....	02
GARANTIE.....	03
MONTAGEANLEITUNG.....	04
VERWENDUNG IHRES BLACKSTONE .....	08
RISOLUZIONE DEI PROBLEMI.....	14

### WICHTIG:

Nur im Freien verwenden.

Lesen Sie die Anweisungen, bevor Sie das Gerät verwenden.

Bewahren Sie dieses Handbuch zum späteren Nachschlagen auf.

Wenden Sie sich bei Fragen zur Montage oder zum Betrieb an Ihren Händler oder das Flüssiggasunternehmen.

### SICHERHEITSWARNSCHLÜSSEL

#### ⚠ GEFAHR

Weist auf eine gefährliche Situation hin, die zum Tod oder zu schweren Verletzungen führt, wenn sie nicht vermieden wird.

#### ⚠ WARNUNG

Weist auf eine gefährliche Situation hin, die zum Tod oder zu schweren Verletzungen führen kann, wenn sie nicht vermieden wird.

#### ⚠ VORSICHT

Weist auf eine gefährliche Situation hin, die, wenn sie nicht vermieden wird, zu leichten oder mittelschweren Verletzungen führen kann.

#### HINWEIS

Weist auf Informationen hin, die als wichtig, aber nicht als gefährlich erachtet werden. (z. B. Meldungen zu Sachschäden).

# WICHTIGER SICHERHEITSHINWEIS

DEUTSCH

## FÜR IHRE SICHERHEIT

- Bei Gasgeruch:
1. Gaszufuhr an der Gasflasche abstellen.
  2. Alle offenen Flammen löschen; keine Elektrogeräte betreiben.
  3. Lüften Sie den Bereich.
  4. Auf Lecks prüfen, wie in diesem Handbuch beschrieben.
  5. Wenn der Geruch bestehen bleibt, wenden Sie sich sofort an Ihren Händler oder Gaslieferanten.



## VORSICHTSMASSNAHMEN

1. Dichtheitsprüfung aller Verbindungen nach jeder Tankbefüllung.
2. Prüfen Sie niemals mit offener Flamme auf Undichtigkeiten, verwenden Sie immer eine Seifenwasserlösung.
3. Lagern oder verwenden Sie kein Benzin oder andere brennbare Dämpfe und Flüssigkeiten in der Nähe dieses Geräts.
4. Nicht angeschlossene Gasflaschen dürfen nicht in der Nähe dieses oder anderer Geräte gelagert werden.



**FALLS DIE ANWEISUNGEN NICHT BEACHTET WERDEN, KÖNNEN GEFÄHRLICHE FEUER ODER EXPLOSIONEN ENTSTEHEN.**

Es liegt in der Verantwortung des Verbrauchers, dafür zu sorgen, dass das Gerät ordnungsgemäß zusammengesetzt, installiert und gepflegt wird. Die Nichtbeachtung der Anweisungen in diesem Handbuch kann zu Verletzungen und/oder Sachschäden führen.

<b>MODELL/TYP-NR.</b>	2145EU			  2531-23      8504-23
<b>WÄRMEEINTRAG:</b>	2 x 5.0 kW	<b>GESAMT:</b> 10.0 kW (7271 g/h)		
<b>GASKATEGORIE:</b>	<b>I3+(28~30/ 37)</b>		<b>I3B/P(30)</b>	<b>I3B/P(50)</b>
<b>GASARTEN:</b>	Butan (G30)	Propangas (G31)	G30, G31 oder deren Mischungen	G30, G31 oder deren Mischungen
<b>GASDRUCK:</b>	(28-30) mbar	37mbar	(28-30) mbar	50 mbar
<b>GEHEIMZAHL:</b>	<b>CE:</b> 2531DN-0117		<b>UKCA:</b> 8504DO-0003	<b>UKCA:</b> 8504DO-0003
	BE, FR, IT, LU, IE, GB, GR, PT, ES, CY, CZ, LT, CH, SI, LV, TR		LU, NL, DK, FI, SE, CY, CZ, EE, LT, MT, SK, SI, BG, IS, NO, HR, RO, IT, HU, LV, GR	DE, AT, CH, SK
<b>Nur im Freien verwenden.</b>				
<b>Lesen Sie die Anweisungen, bevor Sie das Gerät verwenden.</b>				
<b>⚠ WARNUNG: Zugängliche Teile können sehr heiß sein. Halten Sie kleine Kinder fern.</b>				
<b>Dieses Gerät muss während des Gebrauchs von brennbaren Materialien ferngehalten werden.</b>				
<b>Bewegen Sie das Gerät während des Gebrauchs nicht.</b>				
<b>Schließen Sie nach Gebrauch die Gaszufuhr an der Gasflasche.</b>				
<b>Verändern Sie das Gerät nicht.</b>				

### ANFORDERUNGEN AN REGLER UND SCHLÄUCHE

- Verwenden Sie nur Regler und Schläuche, die für Flüssiggas bei den oben genannten Drücken zugelassen sind. Der verwendete Schlauch muss der entsprechenden Norm des Einsatzlandes entsprechen.
- Verwenden Sie einen geeigneten Atemregler, der nach BSEN 12864 oder EN 16129 zertifiziert ist. Stellen Sie sicher, dass der Atemregler und der flexible Schlauch den örtlichen Vorschriften entsprechen.
- Die Länge des flexiblen Schlauchs darf 1,5 m nicht überschreiten. In Finnland darf die Länge 1,2 m nicht überschreiten. Der Schlauch sollte gemäß der geltenden EN-Norm zertifiziert sein und den örtlichen Vorschriften entsprechen.

Bitte wenden Sie sich an Ihren LPG-Händler, um Informationen zu einem geeigneten Regler für die Gasflasche zu erhalten.

### ⚠ WARNUNG

Die Verwendung des falschen Atemreglers oder Schlauchs ist unsicher; Überprüfen Sie immer, ob Sie die richtigen Artikel haben, bevor Sie das Gerät in Betrieb nehmen.

Dieses Gerät ist nur für die Verwendung mit Niederdruck-Butan- oder Propangas oder LPG-Mischungen geeignet, die mit dem entsprechenden Niederdruckregler über einen flexiblen Schlauch ausgestattet sind. Die Lebenserwartung von Atemregler und Schlauch wird auf 2 Jahre geschätzt.



# GARANTIE

## GARANTIEÜBERSICHT

North Atlantic Imports, der Hersteller, gewährt ab Kauf zwei Jahre Garantie auf alle Teile, Verarbeitung und Oberflächen. Es liegt im Ermessen des Herstellers, ob eines der oben genannten Teile repariert oder ersetzt wird. Alle Garantien sind nur auf den ursprünglichen Käufer beschränkt. Diese Garantie deckt keine Haftung seitens North Atlantic Imports, seiner Vertreter oder Mitarbeiter für indirekte oder Folgeschäden aufgrund einer Garantieverletzung ab. Der Käufer muss die Gebrauchsanweisung des Herstellers befolgen.

Der Hersteller haftet unter keinen Umständen für Schäden aus nicht bestimmungsgemäßem Betrieb der Kochstation. Es liegt in der Verantwortung des Käufers, den Garantiezeitraum festzulegen, indem er das ursprüngliche Kaufdatum mit dem Originalkaufbeleg verifiziert.

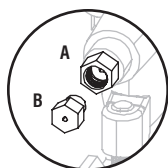
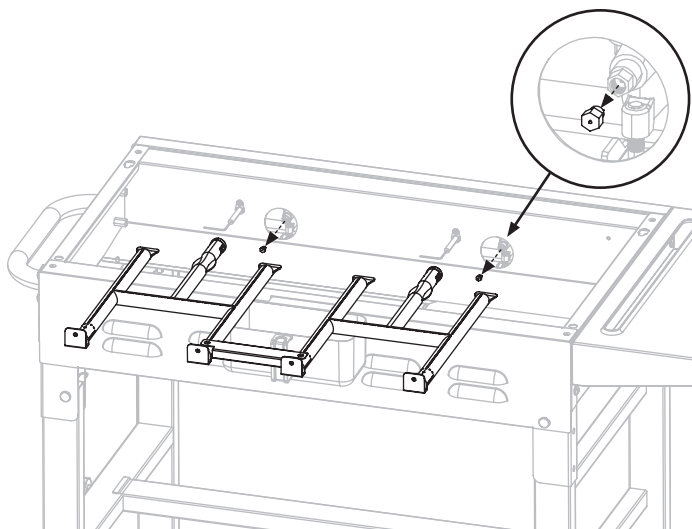
## AKZEPTABLE DRUCKÄNDERUNG

- Vom Hersteller oder seinem Beauftragten versiegelte Teile dürfen vom Benutzer nicht verändert werden.
- An keinem Teil dieses Geräts dürfen Änderungen vorgenommen werden.
- Reparaturen und Wartungsarbeiten sollten nur von einem zugelassenen Servicetechniker durchgeführt werden.

Lassen Sie diese Änderungen von einem Fachmann vornehmen.

**SCHRITT 01** Entfernen Sie die Schrauben, um die Brenner zu lösen.

**SCHRITT 02** Entfernen Sie die Kraftstoffdüsen (B) für Niederdruckländer. (28-30mbar) (Düse ist Linksgewinde.)



## GRÖSSE DER DÜSE (ÖFFNUNG)

- (A) 29mbar (1.08 mm)
- (B) 50mbar (1.10 mm)

## AUSFÜHRLICHE ERKLÄRUNG DER GARANTIE

North Atlantic Imports LLC garantiert dem Eigentümer, dass das von dieser Vereinbarung abgedeckte Produkt bei normalem Gebrauch und Service, für den es bestimmt ist, frei von Material- und Verarbeitungsfehlern ist, wenn, aber nur, wenn es in Übereinstimmung mit North Atlantic Imports LLC betrieben wurde Anweisungen ausschließlich für den häuslichen Gebrauch und nicht für private oder öffentliche Vereins-, institutionelle oder kommerzielle Zwecke.

Die Verpflichtung von North Atlantic Imports LLC im Rahmen dieser Garantie beschränkt sich auf den kostenlosen Ersatz oder die kostenlose Reparatur aller Teile, die sich zur Zufriedenheit von North Atlantic Imports LLC bei normalem Heimgebrauch und Service innerhalb der folgenden Zeiträume als defekt erweisen der Zeit ab dem Kaufdatum; für zwei Jahre ab Kauf, alle Teile, Finish und Verarbeitung. Sollte eine Nichteinhaltung dieser Garantie während der oben genannten geltenden Garantiezeiträume offensichtlich werden, muss der ursprüngliche Käufer North Atlantic Imports LLC innerhalb der geltenden Garantiezeit über die Verletzung der Garantie informieren.

North Atlantic Imports LLC wird nach Benachrichtigung und Einhaltung dieser Anweisungen durch den ursprünglichen Käufer diese Nichtkonformität durch Reparatur oder Austausch des defekten Teils oder der defekten Teile korrigieren.

Die Korrektur in der oben angegebenen Weise stellt eine Erfüllung aller Verpflichtungen von North Atlantic Imports LLC in Bezug auf die Qualität des Produkts dar.

North Atlantic Imports LLC garantiert nicht, dass dieses Gerät die Anforderungen von Sicherheitsvorschriften eines Staates, einer Gemeinde oder einer anderen Gerichtsbarkeit erfüllt, und der ursprüngliche Käufer übernimmt alle Risiken und Haftungen, die sich aus der Verwendung ergeben, unabhängig davon, ob es in Übereinstimmung mit North Atlantic Imports verwendet wird LLC-Anweisungen oder anderweitig.

Diese Garantie deckt keine Haftung von North Atlantic, seinen Vertretern, Bediensteten oder Mitarbeitern ab und soll sie ausschließen, sei es im Rahmen dieser Garantie oder gesetzlich implizit für indirekte oder Folgeschäden aufgrund einer Verletzung einer Garantie. Der Käufer muss alle anwendbaren Garantiezeiträume gemäß dieser Garantie durch Überprüfung des ursprünglichen Kaufdatums durch Vorlage des datierten Kaufbelegs nachweisen. Diese Garantie gilt nicht für dieses Produkt oder andere Teile davon, die einem Unfall, Fahrlässigkeit, Änderung, Missbrauch oder Zweckentfremdung ausgesetzt waren oder die ohne schriftliche Zustimmung von North Atlantic außerhalb der Fabrik von North Atlantic Imports LLC repariert oder geändert wurden. Die volle Herstellergarantie gilt nicht für Gristleplatten, die von nicht lizenzierten Dritthändlern gekauft, aufgrund fehlender oder beschädigter Teile mit einem Preisnachlass gekauft oder als Standmodell gekauft wurden; nach Ermessen von North Atlantic Imports.

North Atlantic Imports LLC übernimmt keinerlei Gewährleistung in Bezug auf Zubehör oder Teile, die nicht im Lieferumfang enthalten sind. Diese Garantie gilt nur innerhalb der Grenzen Europas. Diese Garantie gibt dem ursprünglichen Käufer bestimmte Rechte, und der ursprüngliche Käufer kann auch andere Rechte haben, die von Staat zu Staat unterschiedlich sind.

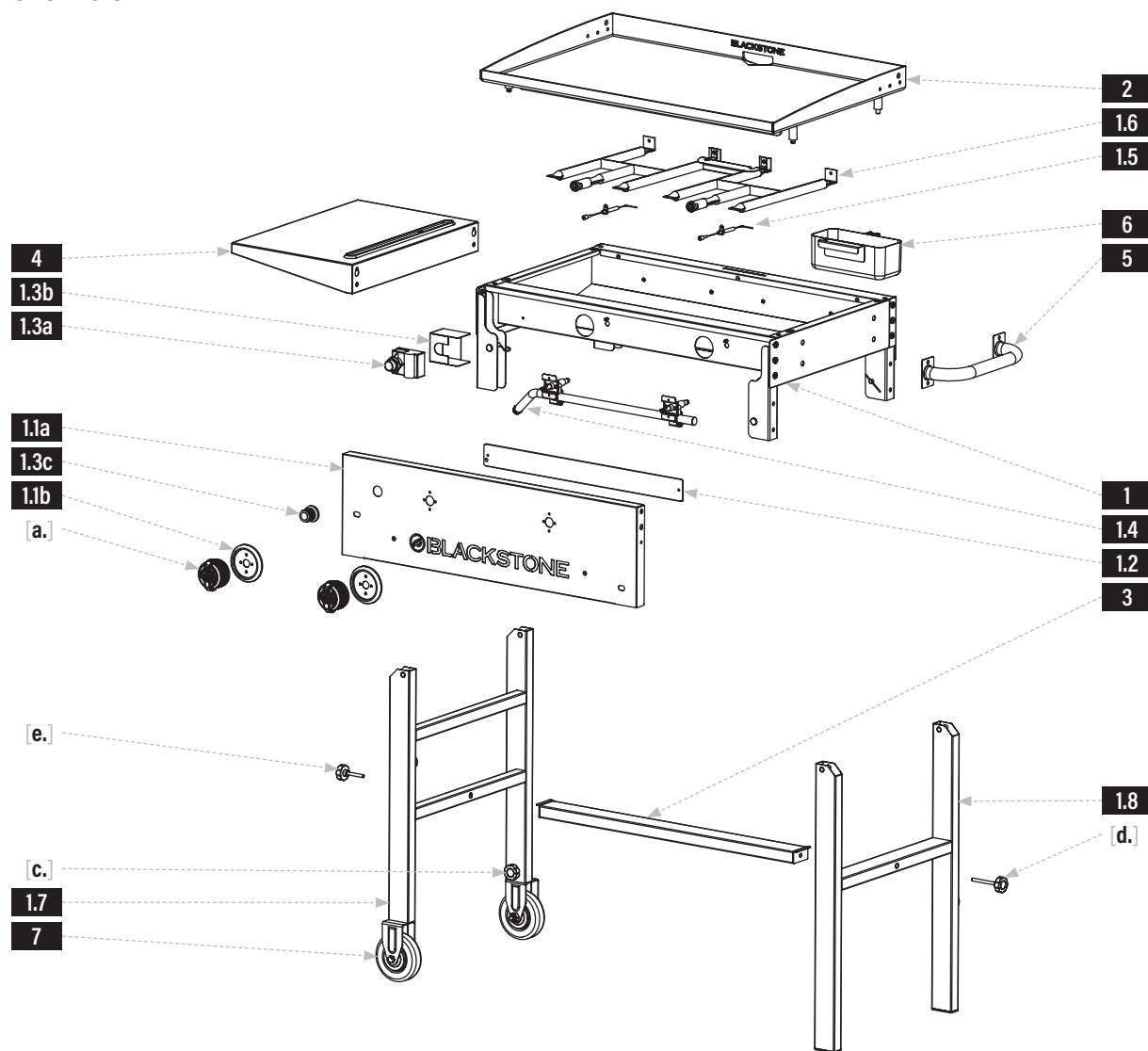
## AKTIVIEREN SIE IHRE GARANTIE

Registrieren Sie Ihr Produkt unter:  
[blackstone-europe.com/pages/product-registration](https://blackstone-europe.com/pages/product-registration)

# MONTAGEANLEITUNG


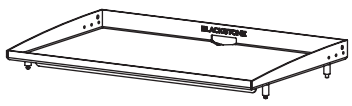

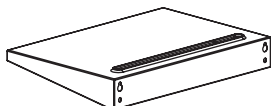
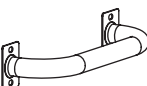
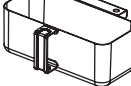

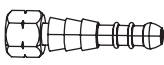
## EXPLOSIONSANSICHT

DEUTSCH



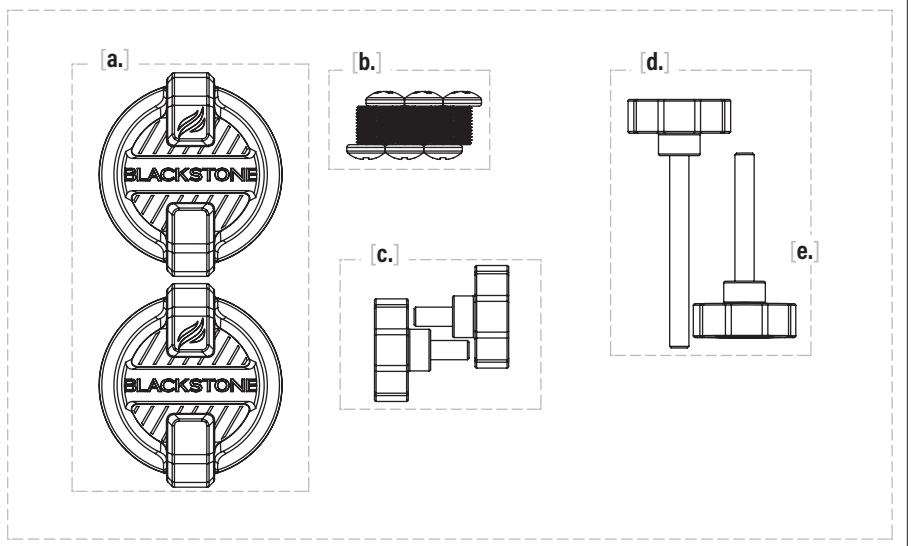
### LISTE DER EINZELTEILE

TEILE	MNG
1.1a Schalttafel	1
1.1b Bedienelemente	2
1.2 Hintergrundpanel	1
1.3a Zünder	1
1.3b Hitzeschild	1
1.3c Zündknopf	1
1.4 Gasschiene	1
1.5 Zündnadeln	2
1.6 H-Brenner	2
1.7 Montage des linken Beins	1
1.8 Montage rechtes Bein	1

<b>1</b> Körper (1 Stück) 	<b>2</b> Grillplatte (1 Stück) 
<b>3</b> Beinschiene (1 Stück) 	<b>4</b> Seitenablage (1 Stück) 
<b>5</b> Seitengriff (1 Stück) 	<b>6</b> Fettbecher (1 Stück) 
<b>7</b> Räder (2 Stück) 	<b>8</b> Schlauchtülle (1 Stück) 



- 9** Hardwarepaket (1 Stück)  
**a.** Bedienknöpfe (2 Stück)  
**b.** M6x12 Schrauben (2 Stück)  
 Ersatzteile (4 Stück)  
**c.** Kleine Rändelschrauben (2 Stück)  
**d.** Große Rändelschraube (1 Stück)  
**e.** Mittlere Rändelschraube (1 Stück)



## MONTAGEANLEITUNGEN

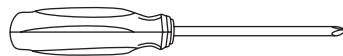
Finden Sie einen großen, sauberen Bereich, um Ihr Gerät zusammenzubauen.  
 Entfernen Sie vor dem Zusammenbau sämtliches Verpackungsmaterial.

**⚠ VORSICHT**  
 Scharfe Kanten. Beim Zusammenbau Handschuhe tragen.

**⚠ VORSICHT**  
 Schwere Stücke. Dieses Gerät sollte von zwei Personen zusammengebaut werden.

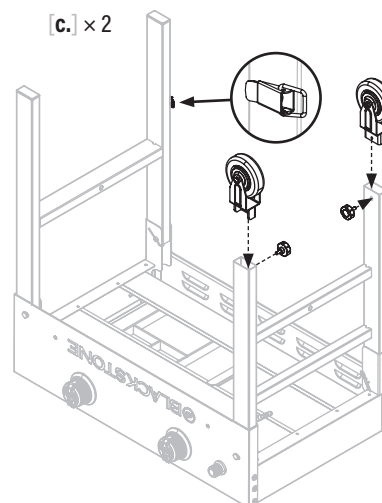


**NICHT ENHALTEN:**  
 AA-Batterie



**BENÖTIGTES WERKZEUG:**  
 Kreuzschlitzschraubendreher Nr. 3

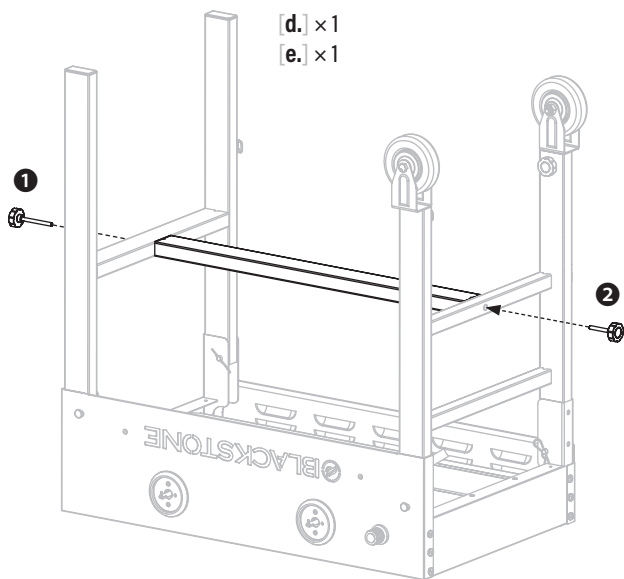
**SCHRITT 01** Nehmen Sie mit Hilfe einer zweiten Person den Grillkörper aus der Verpackung und legen Sie ihn kopfüber auf eine glatte, ebene Fläche.  
 Entriegeln Sie die Beine und klappen Sie sie in ihre vertikale Position auf, verwenden Sie dann zwei (2) kleine Rändelschrauben [c.], um die zwei (2) Räder an den Enden der linken Beinbaugruppe zu befestigen.



**SCHRITT 02** ① Verwenden Sie eine (1) große Rändelschraube [d.], um die Beinstrebe an der rechten Beinbaugruppe zu befestigen.

② Verwenden Sie eine (1) mittelgroße Rändelschraube [e.], um die Beinstütze an der linken Beinbaugruppe zu befestigen.

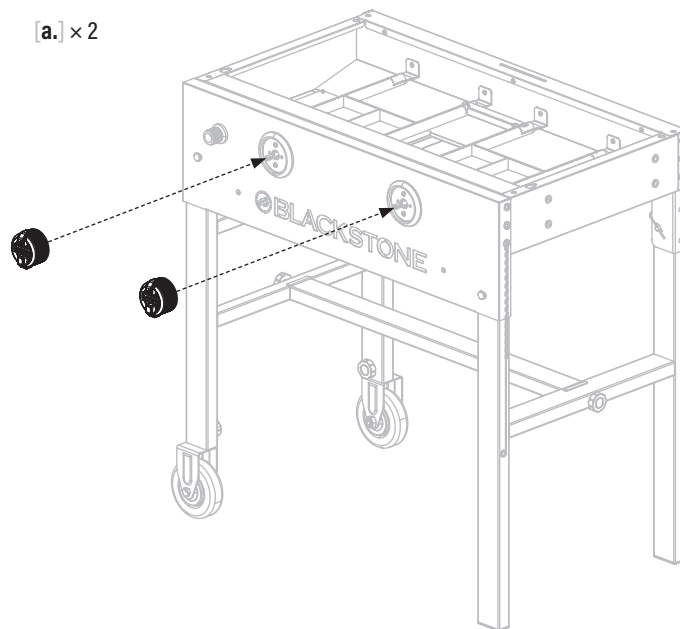
**Hinweis:** Diese Stütze ist ein wesentlicher Bestandteil der Stabilität des Geräts während des Gebrauchs.



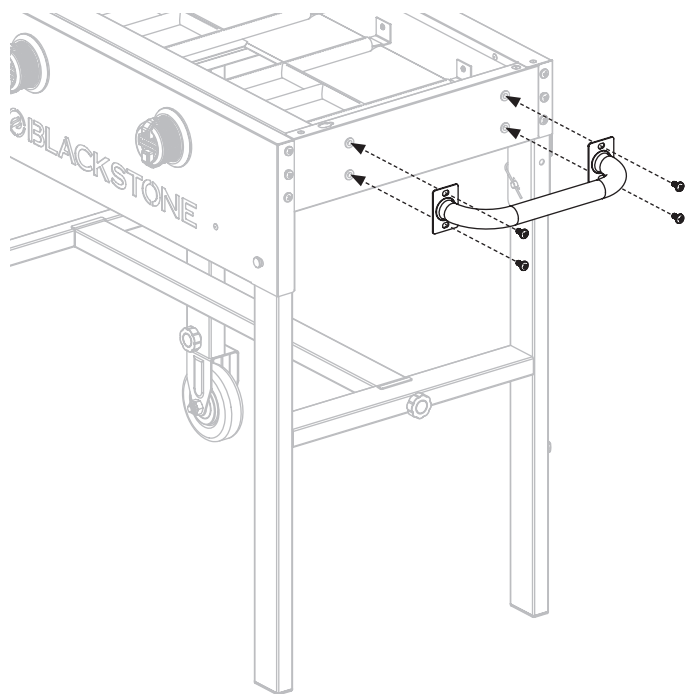
**SCHRITT 03** Heben Sie den Griddle-Körper mit Hilfe einer zweiten Person hoch und stellen Sie ihn auf die Räder.

Bringen Sie die zwei (2) Steuerknöpfe [a.] an, indem Sie sie in Position AUS drücken.

[a.] × 2



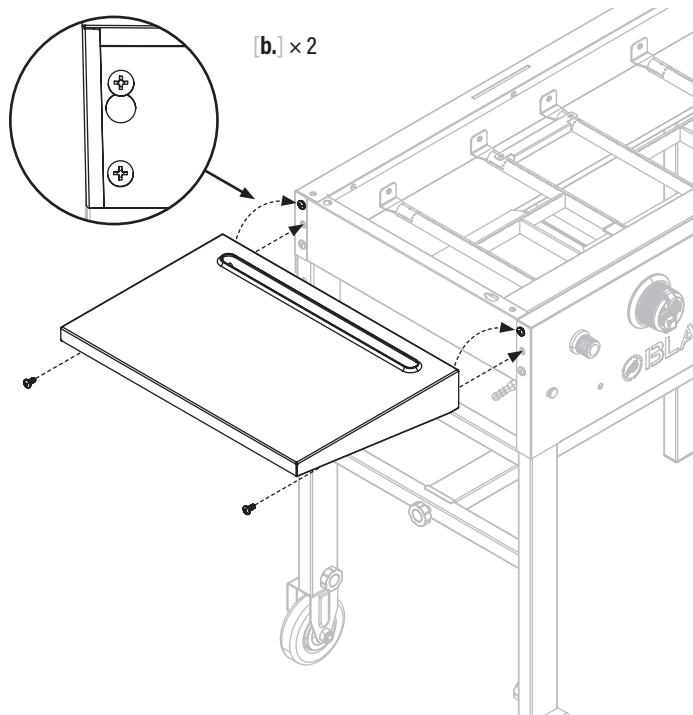
**SCHRITT 04** Verwenden Sie die vier (4) vorinstallierten Schrauben auf der rechten Seite des Griddle-Körpers, um den seitlichen Griff am Griddle-Körper zu befestigen.



**SCHRITT 05** Lösen Sie die zwei (2) M6x12-Schrauben auf der linken Seite des Griddle-Körpers.

Haken Sie eine (1) Seitenablage an diesen Schrauben ein und verwenden Sie zwei (2) M6x12-Schrauben [b.], um die Seitenablage an der linken Seite des Griddle-Körpers zu befestigen. Alle vier Schrauben festziehen.

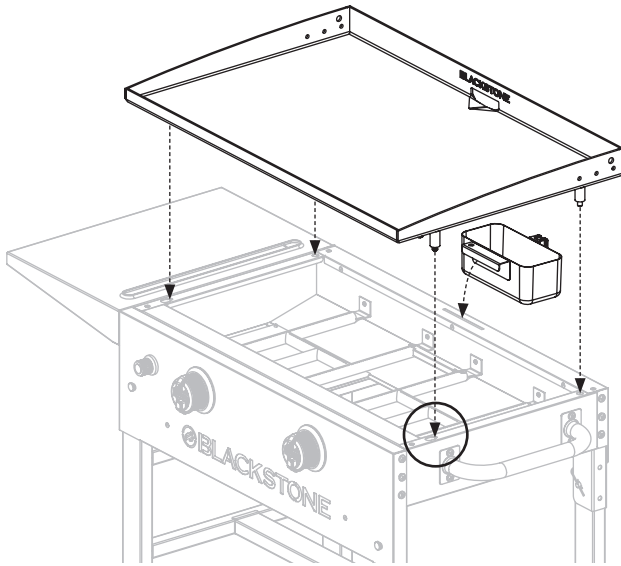
[b.] × 2



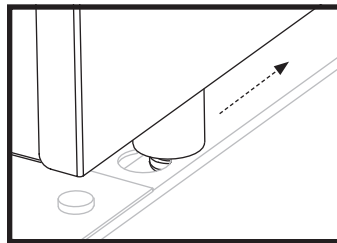


**SCHRITT 06** Hängen Sie die Fettschale in den Schlitz auf der Rückseite des Grillkörpers.

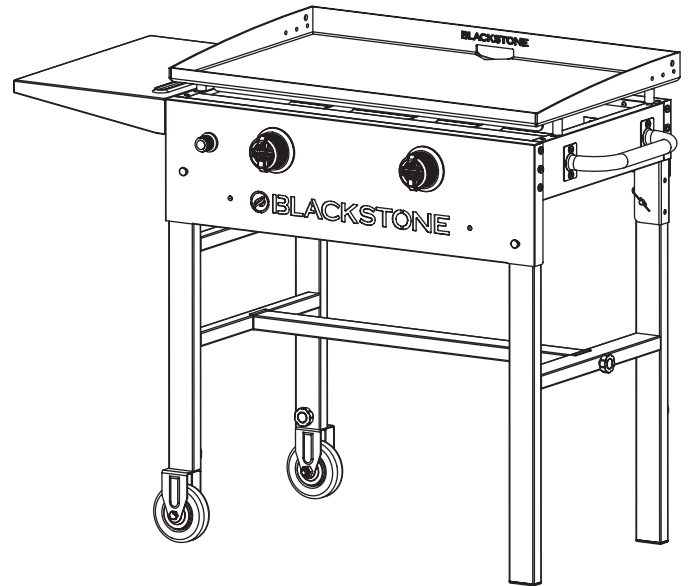
Setzen Sie **mit Hilfe einer anderen Person** die Grillplatte auf den Hauptkörper, indem Sie die 4 Stifte an den Löchern des Körpers ausrichten.



Stellen Sie sicher, dass die vorderen Stifte in den Löchern sitzen, und schieben Sie dann die Oberseite der Grillplatte nach hinten.



**SCHRITT 07** Fahren Sie mit der **VERWENDUNG IHRES BLACKSTONE** fort.



**⚠ VORSICHT**

Der Griff wird heiß, während das Gerät verwendet wird. Berühren Sie den Griff nicht, solange das Gerät heiß ist.

**HINWEIS**

- Das maximale Gewicht auf der Seitenablage beträgt 4,5 kg.
- Die Seitenablage kann während des Gebrauchs heiß werden.

# VERWENDUNG IHRES BLACKSTONE

DEUTSCH

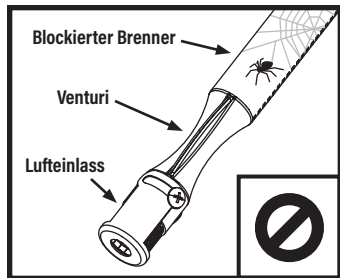
## KOCHEN VORBEREITEN

### BRENNER PRÜFEN

Stellen Sie vor dem Anschluss und der Verwendung sicher, dass sich keine Rückstände im Kopf der Gasflasche, am Regler, am Schlauch, am Brenner und an den Brenneranschlüssen verfangen oder diese beschädigt sind.

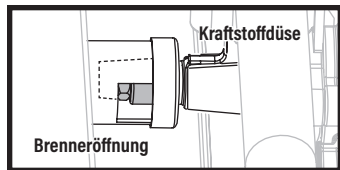
Spinnen und Insekten können sich darin einnisten und das Brenner-/Venturirohr an der Öffnung verstopfen.

Anweisungen zur Reinigung des Brenners finden Sie im Kapitel Fehlerbehebung.



**⚠️ WARNUNG**

Ein verstopfter Brenner kann zu einem Brand unter dem Gerät führen. Der Brenner sollte entfernt und gereinigt werden, wenn Verstopfungen gefunden werden.



⚠️ Stellen Sie sicher, dass die Brennstoffdüsenöffnung des Gasverteilerrohrs richtig in der Brenneröffnung sitzt.

**⚠️ GEFAHR**

Brennbare Gegenstände können sich entzünden, wenn sie in der Nähe des Geräts platziert werden. Halten Sie den Gerätebereich frei und frei von brennbaren Materialien, Aerosolbehältern, Benzin und anderen brennbaren Dämpfen und Flüssigkeiten.

**DIE MINIMALE UMGEBUNGSTEMPERATUR FÜR DEN BETRIEB BETRÄGT -18 °C (0 °F).**

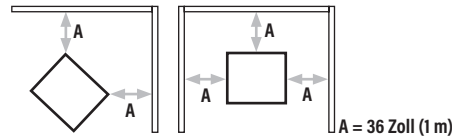
## EINRICHTEN IHRES AUSSENBEREICHS

**DIESES GERÄT DARF NUR IM FREIEN VERWENDET WERDEN.**

- Verwenden Sie dieses Gerät nicht in Gebäuden, Garagen oder anderen geschlossenen Räumen.
- Installieren Sie dieses Gerät nicht in oder auf einem Boot.
- Installieren Sie dieses Gerät nicht in oder auf einem Freizeitfahrzeug.

### HALTEN SIE ANGEMESSENE ABSTÄNDE ZU BRENNBAREN MATERIALIEN EIN:

- Verwenden Sie dieses Gerät nicht auf oder unter Balkonen oder Terrassen von Wohnungen oder Eigentumswohnungen.
- Den Verbrennungs- und Belüftungsluftstrom nicht behindern.
- Betreiben Sie dieses Gerät nicht näher als 1 m (36 Zoll) von den Seiten und der Rückseite des Geräts.

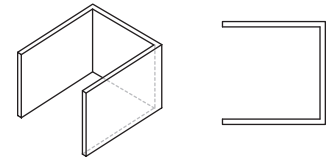


- Verwenden Sie dieses Gerät nicht unter brennbaren Konstruktionen.

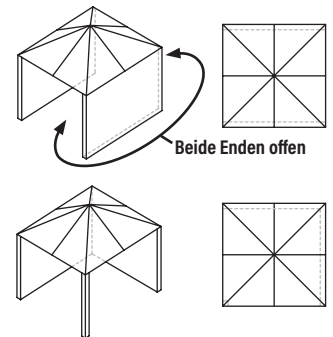
### GESCHÜTZTE AUSSENBEREICHE:

Alle Öffnungen müssen dauerhaft geöffnet sein; Schiebetüren, Garagentore, Fenster oder abgeschirmte Öffnungen gelten nicht als dauerhafte Öffnungen. Ein Gerät gilt als im Freien, wenn es mit einem Schutz installiert ist, der nicht mehr umfasst als:

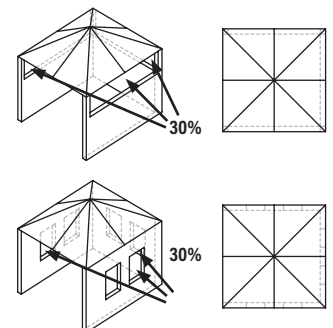
a. Mit Wänden an drei Seiten, aber ohne Überdachung.



b. Innerhalb eines teilweisen Gehäuses, das eine obere Abdeckung und nicht mehr als zwei Seitenwände umfasst. Die Seitenwände können parallel, wie bei einem Windkanal, oder rechtwinklig zueinander sein.



c. Innerhalb einer teilweisen Umschließung, die eine Überdachung und drei Seitenwände umfasst, solange 30 % oder mehr der horizontalen Peripherie der Umschließung dauerhaft offen sind.







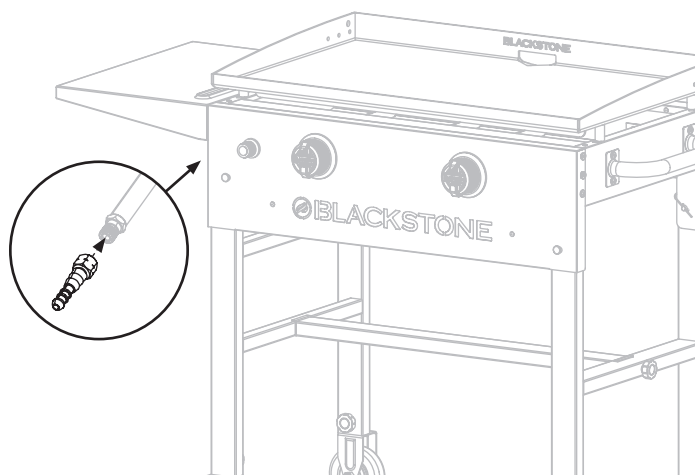
## ANBRINGEN DER KRAFTSTOFFFLASCHE

### ANBRINGEN DES REGLERS

**SCHRITT 01** Regler und Schlauch müssen korrekt an das Gerät angeschlossen werden. Zum Anziehen der Mutter auf das Anschlussgewinde muss ein Schraubenschlüssel verwendet werden.

Wenn Sie eine Kraftstoffklemme verwenden, befestigen Sie die Schlauchtülle an der Gasschiene.

(Barb ist Linksgewinde.)



**SCHRITT 02** Wenn der Schlauch ersetzt wird, muss er mit Schlauchschellen an den Anschlüssen des Geräts und des Reglers befestigt werden.

### VERMEIDEN SIE ES, DEN FLEXIBLEN SCHLAUCH ZU VERDREHEN, WENN DAS GERÄT IN BETRIEB IST.

- Stellen Sie sicher, dass der Schlauch außer an seinem Anschluss nicht verstopft, geknickt oder mit anderen Teilen des Geräts in Kontakt ist.
- Abgenutzter oder beschädigter Schlauch muss ersetzt werden.
- Überprüfen Sie den Gummi-O-Ring am Reglerende der Schlauchleitung mindestens einmal im Jahr. Wenn es abgenutzt oder rissig erscheint, lassen Sie es ersetzen.
- Trennen Sie den Regler von der Flasche (entsprechend den mit dem Regler gelieferten Anweisungen), wenn das Gerät nicht verwendet wird.

## ANLEITUNG ZUR DICHTHEITSPRÜFUNG

**SCHRITT 01** Stellen Sie 2-3 Flüssigunzen Lecksuchlösung her, indem Sie einen Teil Spülmittel mit 3 Teilen Wasser mischen.

**SCHRITT 02** Schließen Sie die Gaszufuhr am Gasflaschenventil.

**SCHRITT 03** Stellen Sie sicher, dass das Steuerventil auf „AUS“ steht.

**SCHRITT 04** Schließen Sie den Regler an die Flasche und das EIN/AUS-Ventil an den Brenner an, stellen Sie sicher, dass die Verbindungen sicher sind, und schalten Sie dann das Gas ein.

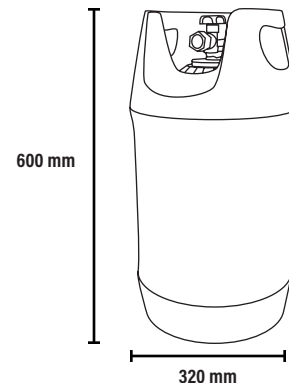
**SCHRITT 05** Bürsten Sie das Seifenwasser auf den Schlauch und alle Verbindungen. Wenn Blasen auftreten, haben Sie ein Leck, das vor der Verwendung behoben werden muss. Nach Behebung des Fehlers erneut testen.

**SCHRITT 06** Schließen Sie nach Gebrauch die Gaszufuhr am Gasbehälter.

Wenn eine Leckage erneut festgestellt wird und nicht behoben werden kann, versuchen Sie nicht, die Leckage zu beheben, sondern wenden Sie sich an Ihren Gashändler.

### ANFORDERUNGEN AN LPG-ZYLINDER

- Ihr Gerät kann mit Gasflaschen zwischen 11 kg und 15 kg betrieben werden.
- Die maximale Größe der Gasflasche sollte sein: Dia. 320 mm, Höhe: 600 mm (inkl. Regler).
- Befolgen Sie die technischen Informationen in der Bedienungsanleitung und erkundigen Sie sich bei Ihrem örtlichen Gaslieferanten, ob er eine geeignete Gasflasche für Ihr Gerät hat.



### SICHERHEIT VON GASFLASCHEN

- Die Gasflasche sollte nicht fallen gelassen oder grob behandelt werden.
- Wenn das Gerät nicht benutzt wird, muss die Flasche abgeklemmt werden.
- Setzen Sie die Schutzkappe wieder auf die Flasche, nachdem Sie die Flasche vom Gerät getrennt haben.
- Die Gasflasche muss sich außerhalb des Gerätekörpers befinden.
- Schließen oder ersetzen Sie die Flasche immer in einem gut belüfteten Bereich und entfernt von Zündquellen, niemals in der Nähe von Flammen, Funken oder Wärmequellen.
- Flaschen müssen im Freien in aufrechter Position und außerhalb der Reichweite von Kindern gelagert werden. Die Flasche darf niemals an Orten gelagert werden, an denen Temperaturen über 50 °C erreicht werden können. Lagern Sie die Flasche nicht in der Nähe von Flammen, Zündflammen oder anderen Zündquellen. NICHT RAUCHEN.
- Stellen Sie sicher, dass das Gasflaschenfach (falls vorhanden) nicht verstopft ist, halten Sie es belüftet und sauber.
- Sie müssen den Zylinder alle zehn Jahre warten oder ersetzen lassen. Das Datum des letzten Service sollte auf den Flaschenhals gestempelt werden.
- Stellen Sie das Gerät und die Flasche bei Verwendung auf dem Boden immer auf einen ebenen Boden.

## ZÜNDANLEITUNG

### 1. RÜCKSCHLAGVENTILE

**SCHRITT 01** Drehen Sie den Knopf in die AUS-Position.

**SCHRITT 02** Knopf eindrücken und loslassen. Knopf sollte zurückfedern.

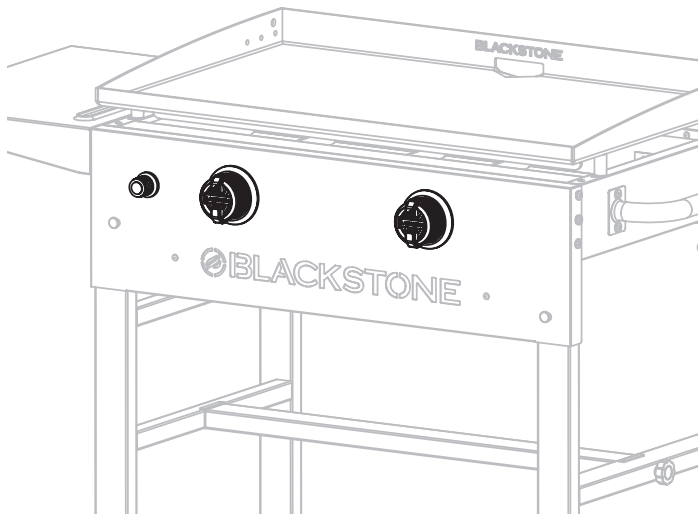
Wenn die Knöpfe nicht zurückspringen, ersetzen Sie die Ventilbaugruppe, bevor Sie das Gerät verwenden.

**SCHRITT 03** Drehen Sie den Knopf auf LOW und drehen Sie ihn dann wieder auf OFF. Der Knopf sollte sich leicht drehen lassen.

#### ⚠️ WARNUNG

Wenn der Brenner bei geöffnetem Gaszufuhrventil nicht zündet, strömt weiterhin Gas aus dem Brenner und könnte sich unbeabsichtigt entzünden, was zu Verletzungen führen kann.

Stellen Sie sicher, dass das Gaszufuhr-Absperrventil ausgeschaltet ist, bevor Sie die Geräteventile überprüfen.

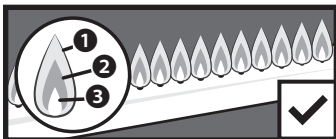


### 3. ÜBERPRÜFEN SIE VOR DEM GEBRAUCH IMMER DIE FLAMME DES BRENNERS.

**SCHRITT 01** Zünden Sie Brenner an und drehen Sie die Knöpfe von HIGH auf LOW.

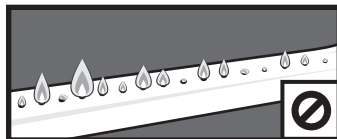
**SCHRITT 02** Schauen Sie unter die Kochfläche, um die Brenner zu sehen. Wenn der Knopf auf HIGH steht, sollten die Flammen größer sein als wenn der Knopf auf LOW steht.

#### GESUNDES FLAMMENMUSTER



- 1 Gelbes Flackern. 2 Dunkelblaue Farbe.
- 3 Leuchtendes Blau.

#### GELB ODER UNREGELMÄSSIG



Wenn es zu einem plötzlichen Abfall oder einem Problem mit geringer Flamme kommt, lesen Sie bitte das Kapitel „Fehlerbehebung“.

### 2. BATTERIEBETRIEBENE ZÜNDUNG

⚠️ Beugen Sie sich beim Anzünden nicht über das Gerät.

**SCHRITT 01** Legen Sie eine (1) AA-Batterie (nicht im Lieferumfang enthalten) unter den Zündknopf ein. Schrauben Sie den Knopf über dem Pluspol fest.



#### SCHRITT 02

1 Drehen Sie den Bedienknopf auf AUS.

Schalten Sie das Gas ein, indem Sie das Handrad der Gasflasche 1 bis 3 Umdrehungen gegen den Uhrzeigersinn drehen.

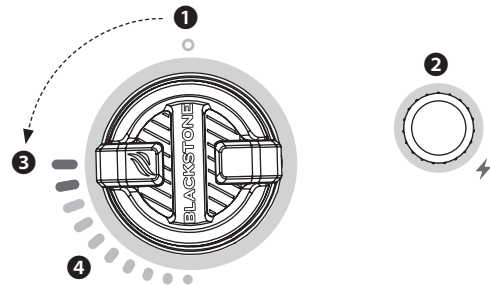
#### SCHRITT 03

2 Drücken und halten Sie den Zündknopf.

3 Drücken und drehen Sie den Bedienknopf gegen den Uhrzeigersinn auf HIGH.

(Lassen Sie den Zündknopf los, wenn der Brenner zündet.)

4 Stellen Sie die Temperatur auf das gewünschte Niveau ein.



### WENN DIE ZÜNDUNG NICHT INNERHALB VON 5 SEKUNDEN ERFOLGT:

**SCHRITT 01** Drehen Sie den Bedienknopf des Brenners auf OFF.

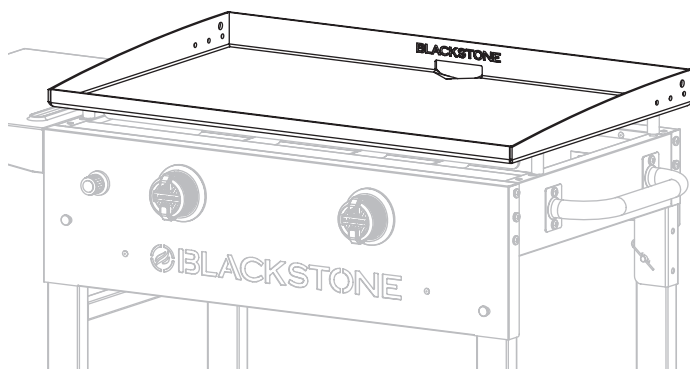
**SCHRITT 02** Warte 5 Minuten.

**SCHRITT 03** Wiederholen Sie den Anzündvorgang.

Wenn der Brenner nicht zündet, lesen Sie bitte das Kapitel „Fehlerbehebung“.



# BRATPFANNE WÜRZANLEITUNG



## WASCHEN SIE IHRE GRIDDLEPLATTE VOR DEM ERSTEN GEBRAUCH

### HINWEIS

Seife wird eine erfahrene Grillplatte ruinieren. Dies ist das einzige Mal, dass Sie Seife auf der Grillfläche verwenden sollten.

**SCHRITT 01** Waschen Sie die Grillfläche mit heißem Seifenwasser.

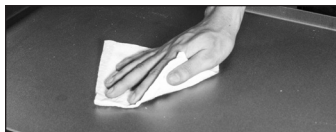
**SCHRITT 02** Spülen und vollständig trocknen.



### VIDEOANLEITUNG

So würzen Sie eine neue Blackstone-Grillplatte  
[youtube.com/watch?v=VspmDVnj2pl&t=3s](https://www.youtube.com/watch?v=VspmDVnj2pl&t=3s)

**SCHRITT 01** Wischen Sie alle Rückstände von der Oberseite der Grillplatte ab.



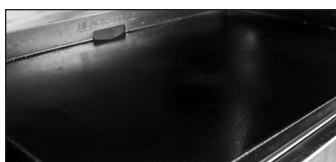
**SCHRITT 02** Stellen Sie Ihre Grillplatte auf hohe Hitze, bis Ihre Grillplatte die Farbe ändert. (~10 Minuten)



**SCHRITT 03** Verwenden Sie eine Zange, um ein Papiertuch oder ein Baumwolltuch zu halten, und verteilen Sie 2-3 Esslöffel Ihres Gewürzöls auf der gesamten Grillplatte. Denken Sie beim Würzen Ihrer Griddleplatte daran, eine dünne und gleichmäßige Ölschicht aufzutragen - je dünner die Ölschicht, desto leichter lässt sie sich abbrennen.



**SCHRITT 04** Die Griddleplatte ist bereit für eine weitere Schicht Öl, wenn sie aufhört zu rauchen. Wiederholen Sie **SCHRITT 03** drei- bis viermal oder bis die Grillfläche schwarz ist.



## WELCHES ÖL NIMMT MAN AM BESTEN?

- Blackstone Seasoning and Cast Iron Conditioner.
- Jedes pflanzliche Speiseöl.
- Ausgeschmolzenes tierisches Fett ohne Zusatzstoffe.



## FEHLERBEHEBUNG BEIM WÜRZEN

### ES GIBT EINEN BRÄUNLICHEN RÜCKSTAND AUF DER GRIDDLEFLÄCHE:

#### MÖGLICHE URSACHEN

- Es wurde zu viel Öl verwendet.
- Du hast die Heizung zu früh ausgeschaltet.

#### LÖSUNG

**SCHRITT 01** Schalten Sie Ihre Grillplatte hoch und lassen Sie sie 10-15 Minuten lang erhitzen.

**SCHRITT 02** Kratzen Sie so viel wie möglich von dem eingedickten und teilweise gekochten Öl ab.

**SCHRITT 03** Mit einer hauchdünnen Schicht Öl nachwürzen.

## DIE RÄNDER DER GRILLFLÄCHE SIND NICHT SCHWARZ:

Nachdem Sie Ihre Grillplatte für mehrere Kochvorgänge verwendet haben, wird das Gewürz gleichmäßiger und besser.

## ROST VORBEUGEN

Verwenden Sie Ihre Grillplatte häufig. Jedes Mal, wenn Sie kochen, fügen Sie Gewürze hinzu, wodurch Rost weniger wahrscheinlich wird.

### HINWEIS

Wenn Sie in einem feuchten oder Küstenklima leben, muss Ihre Grillplatte zwischen den Verwendungen möglicherweise häufiger gewürzt werden.

Wenn Rost auf der Grillfläche auftritt, reiben Sie ihn mit Stahlwolle, Schleifpapier mit geringer Körnung oder dem **Blackstone-Bimsstein** ab und behandeln Sie die Oberfläche erneut.



### VIDEOANLEITUNG

Wiederherstellung Ihrer Blackstone Griddleplatte  
[youtube.com/watch?v=thPE2lgnSil](https://www.youtube.com/watch?v=thPE2lgnSil)

## KOCHEN AUF IHREM BLACKSTONE

### ⚠ VORSICHT

Dieses Gerät wird während und nach dem Gebrauch heiß. Verwenden Sie beim Umgang mit potenziell heißen Teilen zum Schutz vor Verbrennungen und Spritzern langstielige Utensilien und Topflappen/Schutzhandschuhe.

### ⚠ VORSICHT

Wenn das Gerät mit einem Papierhandtuchhalter ausgestattet ist, muss sich der Arm während des Gebrauchs des Geräts in der geöffneten Position befinden.

### HINWEIS

Bewahren Sie während des Gebrauchs keine Gegenstände innerhalb von 8 cm (3 Zoll) von der Kochfläche entfernt auf.

### WENN FETT ODER ANDERES HEISSES MATERIAL AUF VENTIL, SCHLAUCH ODER REGLER TROPFT:

**SCHRITT 01** Gaszufuhr sofort abstellen.

**SCHRITT 02** Ermitteln Sie die Ursache und beheben Sie sie.

**SCHRITT 03** Reinigen und prüfen Sie Ventil, Schlauch und Regler.

**SCHRITT 04** Führen Sie einen Dichtigkeitsstest durch. (Bitte beziehen Sie sich auf die Lecktestanweisungen)

### VIDEOREZEPTE

Rezepte und Kochtipps finden Sie unter:

🌐 [BlackstoneProducts.com/recipes](https://blackstoneproducts.com/recipes)

📺 [youtube.com/BlackstoneGriddles](https://youtube.com/BlackstoneGriddles)

📱 @blackstoneproducts



**PFANNKUCHEN MIT ERDBEEREN UND SAHNE**  
Frühstück

**GEBRATENER ZWIEBELBURGER AUS OKLAHOMA**  
Mittagessen



**TACOS BORRACHOS**  
Abendessen

### REINIGEN SIE IHRE GRIDDLEPLATTE

Reinigen Sie die Grillplatte nach jedem Gebrauch, solange sie noch warm ist.

- Verwenden Sie keine Seife auf der Grillplatte. Dadurch wird die Würze der Grillplatte zerstört.



### VIDEOANLEITUNG

So reinigen Sie Ihre Blackstone Griddleplatte

📺 [youtube.com/watch?v=-ledu9z6NPY](https://youtube.com/watch?v=-ledu9z6NPY)

**SCHRITT 01** Schieben Sie lose Speisereste mit einem Spatel oder einem geraden Metallschaber in die Fettschale.



**SCHRITT 02** Wischen Sie die Grillplatte mit einem Papiertuch ab.



**SCHRITT 03** Tragen Sie ein paar Esslöffel Wasser auf die Grillfläche auf und kratzen Sie dann das Wasser und den Schmutz in die Fettschale. (Bei anhaftenden Speiseresten etwas grobes Salz verwenden.)



**SCHRITT 04** Wischen Sie erneut mit einem Papiertuch nach und trocknen Sie es vollständig ab.



**SCHRITT 05** Tragen Sie eine dünne Schicht Speiseöl auf, um die Würze zu erhalten und die Grillplatte zu schützen.



### LEEREN SIE IHREN GREASE CUP

Die Fettschale muss nach jedem Gebrauch entfernt und geleert werden.

### ⚠ VORSICHT

Der Schmierbecher ist während und nach dem Gebrauch heiß. Entfernen Sie die Fettschale erst, wenn die Grillplatte vollständig abgekühlt ist.



## PFLEGE UND WARTUNG

### ⚠️ WARNUNG

Fettansammlungen können einen Brand verursachen. Reinigen Sie nach jedem Gebrauch alle Teile des Geräts, die heiß werden und Fettablagerungen aufweisen.

### ⚠️ VORSICHT

Alle Reinigungs- und Wartungsarbeiten sollten durchgeführt werden, wenn das Gerät abgekühlt und alles ausgeschaltet ist.

- Verwenden Sie kein Scheuerpad auf Bereichen mit Grafiken.
- Wenn eine Borstenbürste zum Reinigen einer der Kochflächen verwendet wird, stellen Sie vor dem Kochen sicher, dass keine losen Borsten auf den Kochflächen zurückbleiben.

### GERÄTEKÖRPER:

Mit warmem Seifenwasser waschen und sofort mit einem nicht scheuernden Tuch trocken wischen. (Lassen Sie Reinigungsmittel nicht längere Zeit auf porösen Oberflächen stehen.)

### HINWEIS

Verwenden Sie kein Citrisol, Scheuermittel oder konzentrierte Reinigungsmittel für das Gerät. Dies kann zur Beschädigung und zum Ausfall von Teilen führen.

## GERÄTESPEICHER

### ⚠️ WARNUNG

Bewegen Sie das Gerät nicht, wenn es in Betrieb ist. Lassen Sie das Gerät auf 45 °C (115 °F) abkühlen, bevor Sie es bewegen oder lagern.

Die Lagerung eines Gerätes in Innenräumen ist nur zulässig, wenn die Gasversorgung getrennt und vom Gerät entfernt ist.

### ANLEITUNG ZUR ABDECKUNGSANPASSUNG

Decken Sie Ihr Gerät immer ab, wenn Sie es im Freien lagern.



Um eine Abdeckung zu finden, die zu Ihrem Gerät passt, besuchen Sie [BlackstoneProducts.com/support](https://BlackstoneProducts.com/support).

# RISOLUZIONE DEI PROBLEMI

DEUTSCH

## IGNITION TROUBLESHOOTING

### BRENNER ZÜNDET NICHT:

Erfolgt die Zündung nicht innerhalb von 5 Sekunden:

**SCHRITT 01** Erfolgt die Zündung nicht innerhalb von 5 Sekunden:

**SCHRITT 02** Drehen Sie den Bedienknopf des Brenners auf AUS.

**SCHRITT 03** Warte 5 Minuten.

**SCHRITT 04** Wiederholen Sie den Beleuchtungsvorgang.

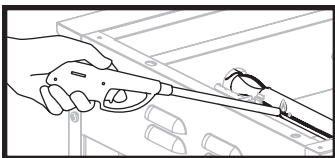
Wenn dies nicht funktioniert, versuchen Sie bitte, Ihr Gerät mit einem Streichholz zu entzünden, um die Ursache zu ermitteln.

### ANWEISUNGEN ZUM ANZÜNDEN VON STREICHHÖLZERN

Prüfen Sie vor Beginn auf Gaslecks. Haube öffnen (falls vorhanden).

**SCHRITT 01** Drehen Sie den Bedienknopf in die AUS-Position.

**SCHRITT 02** Zünden Sie ein Streichholz (oder ein langes Feuerzeug) an, das nicht kürzer als 11 Zoll lang ist.

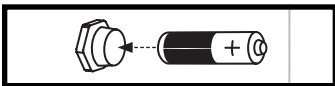
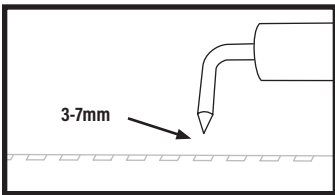


**SCHRITT 03** Stellen Sie die Flamme neben den Brenner.

**SCHRITT 04** Drücken Sie den Steuerknopf hinein und drehen Sie ihn, um den Gasfluss zu starten. Stellen Sie sicher, dass der Brenner brennt und brennt.

### WENN SIE IHR GERÄT MIT EINEM STREICHHOLZ ENTZÜNDEN KÖNNEN:

MÖGLICHE URSACHEN	LÖSUNG
Zündkabel falsch ausgerichtet.	Stellen Sie sicher, dass die Zündnadel 3-7 mm vom Brennerrohr entfernt und über einem Brennerloch positioniert ist.
Beschädigung der Zündanlage.	Wenden Sie sich für Ersatzteile an den Kundendienst.
Batterie leer/falsch eingesetzt.	Durch neue Batterie ersetzen.



### WENN SIE IHR GERÄT NICHT MIT EINEM STREICHHOLZ ENTZÜNDEN KÖNNEN:

MÖGLICHE URSACHEN	LÖSUNG
Brennerrohre erhalten keinen Brennstoff.	Reinigen Sie die Brennerbaugruppe, um die Verstopfung zu entfernen.

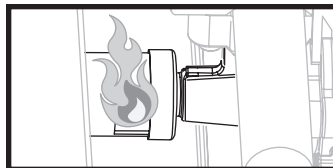
## FEHLERBEHEBUNG BEIM GASFLUSS

### BRENNERFLAMMEN SIND GELB ODER UNREGELMÄSSIG:

- Das Gerät erreicht keine hohe Hitze oder heizt ungleichmässig.
- Die Brennerflammen beginnen stark und fallen dann sofort auf niedrig ab, selbst wenn der Brenner auf die hohe Position eingestellt ist.
- Die Flammenhöhe sinkt, wenn ein zweiter Brenner angezündet wird.
- Flammen erstrecken sich nicht über die volle Länge des Brenners oder laufen nur auf einer Seite des Brenners.
- Brennerflammen sind inkonsistent.

MÖGLICHE URSACHEN	LÖSUNG
Hindernisse im Brenner, den Gasdüsen oder der Kraftstoffschiene.	Brenner, Düsen und Gasschlauch reinigen.
Die Gasflasche ist leer oder fast leer.	Füllen Sie die Gasflasche auf oder ersetzen Sie sie.

### EINE FLAMME KOMMT AUS DEM LUFTTOR:



MÖGLICHE URSACHEN	LÖSUNG
Etwas blockiert das Venturi im Brenner.	Reinigen Sie die Brennerbaugruppe, um die Verstopfung zu beseitigen.



## REINIGUNG DER BRENNEREINHEIT

Um die Wahrscheinlichkeit eines „Flashbacks“ zu verringern, sollte das nachstehende Verfahren mindestens einmal im Monat durchgeführt werden, wenn die Spinnen am aktivsten sind oder wenn Ihr Gerät längere Zeit nicht benutzt wurde.



### VIDEOANLEITUNG

So reinigen Sie Ihr Brennerrohr

▶ [youtube.com/watch?v=xKQTCrFCzf8](https://www.youtube.com/watch?v=xKQTCrFCzf8)

**SCHRITT 01** Lösen Sie die Reglerbaugruppe von der LPG-Flasche, indem Sie die Schnellkupplungsmutter im Uhrzeigersinn drehen.

- Grillplatte entfernen.
- Entfernen Sie den Brenner, indem Sie am Brennerclip ziehen. Verwenden Sie einen Schraubendreher oder eine Spitzzange.

**SCHRITT 02** Heben Sie den Brenner vorsichtig nach oben und weg von der Öffnung des Gasventils.

**SCHRITT 03** Reinigen Sie das Innere des Brenners:

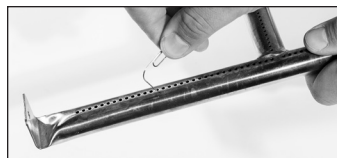
- Führen Sie eine Flaschenbürste (keine Drahtbürste) oder einen steifen, zu einem kleinen Haken gebogenen Draht mehrmals durch jedes Brennerrohr.
- Blasen Sie mit Druckluft durch das Brennerrohr und aus den Brenneröffnungen (tragen Sie einen Augenschutz).



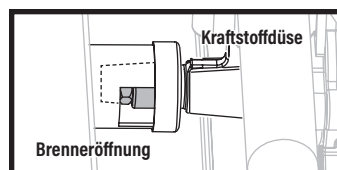
**SCHRITT 04** Bürsten Sie die gesamte Außenfläche des Brenners, um Schmutz zu entfernen.



**SCHRITT 05** Reinigen Sie alle blockierten Anschlüsse mit einem steifen Draht, z. B. einer offenen Büroklammer.



**SCHRITT 06** Setzen Sie die Brenner vorsichtig wieder ein und bringen Sie sie wieder an, achten Sie dabei auf die Position der Zündnadel.



⚠ Die Gasverteiler-Brennstoffdüse muss wieder in die Brenneröffnung eingerastet werden.

## KUNDENDIENST

Für alle Fragen, Anfragen oder den Kundendienst wenden Sie sich bitte an:

**Griddle Masters Europe ApS**

**Blackstone Europe**

Tel. +45 2424 7709

Nordre Strandvej 119, 3150 Hellebæk

Denmark

[www.blackstone-europe.com](http://www.blackstone-europe.com)



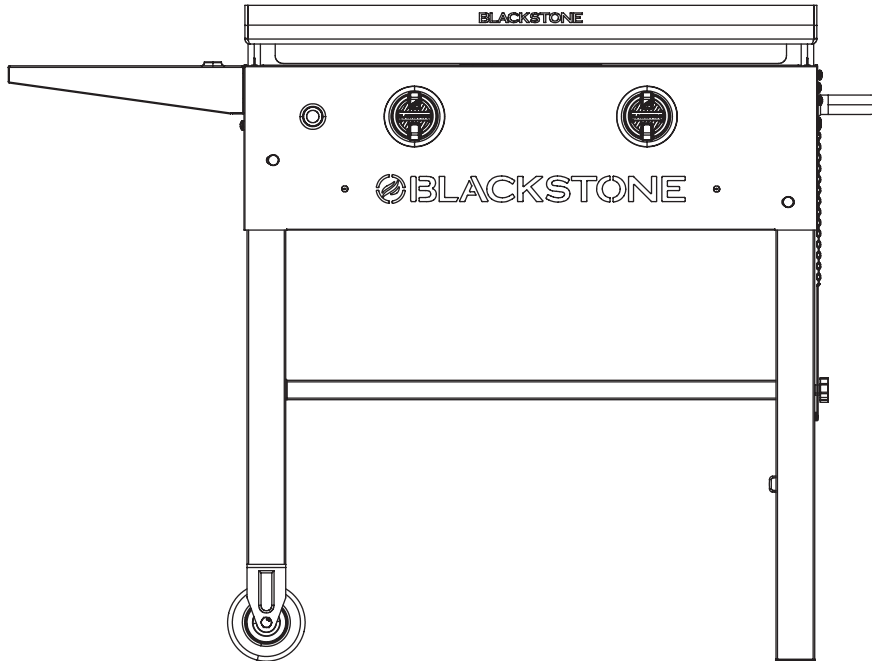
Dieses Produkt ist möglicherweise durch ein oder mehrere ausgestellte US-amerikanische und/oder internationale Patente geschützt und kann anhängige Patentanmeldungen enthalten.

Weitere Informationen finden Sie unter: [BlackstoneProducts.com/patents](https://BlackstoneProducts.com/patents)

HERSTELLER: NORTH ATLANTIC IMPORTS, LLC 1073 W 1700 N LOGAN, UT 84321 USA | BLACKSTONE IST EINE EINGETRAGENE MARKE VON NORTH ATLANTIC IMPORTS, LLC

IMPORTIERT VON GRIDDLE MASTERS, NORDRE STRANDVEJ 119, 3150 HELLEBAEK, DENMARK





MANUEL DU PROPRIÉTAIRE | INSTRUCTIONS DE MONTAGE POUR APPAREIL À GAZ EXTÉRIEUR

# 28" PLAQUE CHAUFFANTE

## TABLE DES MATIÈRES

INFORMATIONS DE SÉCURITÉ IMPORTANTES .....	02
GARANTIE .....	03
GUIDE D'ASSEMBLAGE .....	04
UTILISATION DE VOTRE BLACKSTONE .....	08
DÉPANNAGE .....	14

### IMPORTANT:

Utiliser uniquement à l'extérieur.

Lisez les instructions avant d'utiliser l'appareil.

Garde ce manuel pour y revenir plus tard.

Si vous avez des questions concernant l'assemblage ou le fonctionnement, consultez votre revendeur ou la société de gaz GPL.

### CLÉ D'ALERTE DE SÉCURITÉ

#### ⚠ DANGER

Indique une situation dangereuse qui, si elle n'est pas évitée, entraînera la mort ou des blessures graves.

#### ⚠ ATTENTION

Indique une situation dangereuse qui, si elle n'est pas évitée, pourrait entraîner des blessures mineures ou modérées.

#### ⚠ AVERTISSEMENT

Indique une situation dangereuse qui, si elle n'est pas évitée, peut entraîner la mort ou des blessures graves.

#### AVIS

Indique des informations considérées comme importantes, mais non liées à un danger (par exemple, des messages liés à des dommages matériels).

# INFORMATIONS DE SÉCURITÉ IMPORTANTES

FRANÇAIS


**POUR VOTRE SÉCURITÉ**

Si vous sentez une odeur de gaz:

1. Coupez l'alimentation en gaz à la bouteille de gaz.
2. Éteignez toutes les flammes nues ; ne pas faire fonctionner d'appareils électriques.
3. Ventilez la zone.
4. Vérifiez les fuites comme indiqué dans ce manuel.
5. Si l'odeur persiste, contactez immédiatement votre revendeur ou fournisseur de gaz.

**PRÉCAUTIONS**

1. Testez toutes les connexions après chaque remplissage du réservoir.
2. Ne jamais vérifier les fuites avec une flamme nue, toujours utiliser une solution d'eau savonneuse.
3. Ne stockez pas et n'utilisez pas d'essence ou d'autres vapeurs et liquides inflammables à proximité de cet appareil.
4. Toute bouteille de gaz non connectée pour utilisation ne doit pas être stockée à proximité de cet appareil ou de tout autre appareil.



**UN INCENDIE OU UNE EXPLOSION DANGEREUX PEUT SURVENIR SI LES INSTRUCTIONS SONT IGNORÉES.**

Il est de la responsabilité du consommateur de s'assurer que l'appareil est correctement assemblé, installé et entretenu. Le non-respect des instructions de ce manuel peut entraîner des blessures et/ou des dommages matériels.

<b>MODÈLE/TYPE NO.</b>	2145EU			<b>CE</b> 2531-23	<b>UK</b> <b>CA</b> 8504-23
<b>APPORT DE CHALEUR:</b>	2 x 5.0 kW	<b>TOTAL:</b>	10.0 kW (7271 g/h)		
<b>CATÉGORIE DE GAZ:</b>	<b>I3+(28~30/ 37)</b>		<b>I3B/P(30)</b>	<b>I3B/P(50)</b>	
<b>TYPE DE GAZ:</b>	Butane (G30)	Propane (G31)	G30, G31 ou leurs mélanges		G30, G31 ou leurs mélanges
<b>PRESSION DU GAZ:</b>	(28-30) mbar	37mbar	(28-30) mbar		50 mbar
<b>CODE PIN:</b>	<b>CE:</b> 2531DN-0117		<b>UKCA:</b> 8504DO-0003		<b>UKCA:</b> 8504DO-0003
	BE, FR, IT, LU, IE, GB, GR, PT, ES, CY, CZ, LT, CH, SI, LV, TR		LU, NL, DK, FI, SE, CY, CZ, EE, LT, MT, SK, SI, BG, IS, NO, HR, RO, IT, HU, LV, GR		DE, AT, CH, SK
<b>Utiliser uniquement à l'extérieur.</b>					
<b>Lisez les instructions avant d'utiliser l'appareil.</b>					
<b>⚠ ATTENTION: Les pièces accessibles peuvent être très chaudes. Tenez les jeunes enfants éloignés.</b>					
<b>Cet appareil doit être tenu à l'écart des matériaux inflammables pendant son utilisation.</b>					
<b>Ne déplacez pas l'appareil pendant son utilisation.</b>					
<b>Coupez l'alimentation en gaz de la bouteille de gaz après utilisation.</b>					
<b>NE MODIFIEZ PAS l'appareil.</b>					

**EXIGENCES DU RÉGULATEUR ET DU TUYAU**

- Utilisez uniquement des régulateurs et des tuyaux approuvés pour le GPL aux pressions ci-dessus. Le tuyau utilisé doit être conforme à la norme en vigueur pour le pays d'utilisation.
  - Utilisez un régulateur approprié certifié BSEN 12864 ou EN 16129. Assurez-vous que le régulateur et le tuyau flexible sont conformes au code local.
  - La longueur du tuyau flexible ne doit pas dépasser 1,5 m. En Finlande, la longueur ne doit pas dépasser 1,2 m. Le tuyau doit être certifié conformément à la norme EN applicable et être conforme au code local.
- Veuillez consulter votre revendeur GPL pour obtenir des informations concernant un régulateur approprié pour la bouteille de gaz.

**⚠ AVERTISSEMENT**

L'utilisation du mauvais régulateur ou du mauvais tuyau est dangereuse ; vérifiez toujours que vous disposez des bons éléments avant d'utiliser l'appareil.

Cet appareil ne peut être utilisé qu'avec des mélanges de gaz butane ou propane ou GPL à basse pression, équipés du régulateur basse pression approprié via un tuyau flexible.

La durée de vie du détendeur et du flexible est estimée à 2 ans.



# GARANTIE

## PRÉSENTATION DE LA GARANTIE

North Atlantic Imports, le fabricant, garantira pendant deux ans à compter de l'achat toutes les pièces, la fabrication et les finitions. Ce sera l'option du fabricant de réparer ou de remplacer l'un des éléments ci-dessus. Toutes les garanties sont limitées à l'acheteur d'origine uniquement. Cette garantie ne couvre aucune responsabilité de la part de North Atlantic Imports, de ses agents ou employés, pour tout dommage indirect ou consécutif résultant d'une violation de la garantie. L'acheteur doit suivre les instructions d'utilisation du fabricant.

Le fabricant n'est en aucun cas responsable des dommages résultant d'une mauvaise utilisation de la station de cuisson. Il est de la responsabilité de l'acheteur d'établir la période de garantie en vérifiant la date d'achat originale avec le reçu de vente original.

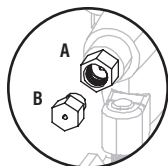
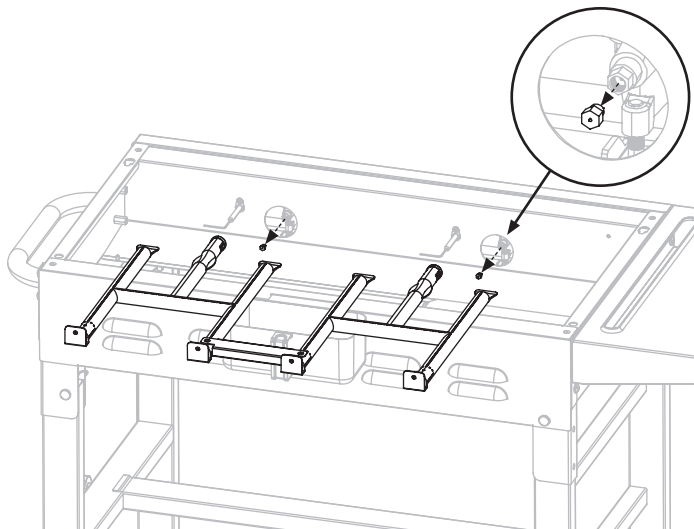
## MODIFICATION DE PRESSION ACCEPTABLE

- Les pièces scellées par le fabricant ou son agent ne doivent pas être modifiées par l'utilisateur.
- Aucune modification ne doit être apportée à aucune partie de cet appareil.
- Les réparations et l'entretien ne doivent être effectués que par un technicien agréé.

Demandez à un professionnel de faire ces modifications.

**ÉTAPE 01** Retirez les vis pour détacher les brûleurs.

**ÉTAPE 02** Déposer les gicleurs de carburant (B) pour les pays à basse pression. (28-30 mbar) (La buse est filetée à gauche.)



## TAILLE DE LA BUSE (ORIFICE)

- (A) 29mbar (1.08 mm)
- (B) 50mbar (1.10 mm)

## EXPLICATION DÉTAILLÉE DE LA GARANTIE

North Atlantic Imports LLC garantit au propriétaire que le produit couvert par cet accord est exempt de défauts de matériaux et de fabrication dans des conditions normales d'utilisation et de service pour lesquelles il était destiné si, mais seulement si, il a été utilisé conformément à North Atlantic Imports LLC instructions exclusivement pour un usage domestique, et non pour un club privé ou public, à des fins institutionnelles ou commerciales.

L'obligation de North Atlantic Imports LLC en vertu de cette garantie est limitée au remplacement ou à la réparation, sans frais, de toute pièce ou pièces qui peuvent s'avérer, à la satisfaction de North Atlantic Imports LLC, défectueuses dans le cadre d'une utilisation et d'un entretien domestiques normaux dans les périodes indiquées ci-dessous, de temps à compter de la date d'achat ; pendant deux ans à compter de l'achat, toutes les pièces, la finition et la fabrication. En cas de non-conformité à cette garantie pendant les périodes de garantie applicables indiquées ci-dessus, l'acheteur d'origine doit informer North Atlantic Imports LLC de la violation de la garantie pendant la période de garantie applicable.

North Atlantic Imports LLC doit, sur notification et conformité de l'acheteur d'origine avec ces instructions, corriger cette non-conformité en réparant ou en remplaçant la ou les pièces défectueuses.

La correction de la manière indiquée ci-dessus constituera l'accomplissement de toutes les obligations de North Atlantic Imports LLC en ce qui concerne la qualité du produit.

North Atlantic Imports LLC ne garantit pas que cet équipement réponde aux exigences de tout code de sécurité d'un état, d'une municipalité ou d'une autre juridiction, et l'acheteur d'origine assume tous les risques et responsabilités résultant de son utilisation, qu'il soit utilisé conformément à North Atlantic Imports instructions LLC ou autrement.

Cette garantie ne couvre pas et est destinée à exclure toute responsabilité de la part de North Atlantic, ses agents, préposés ou employés, que ce soit en vertu de cette garantie ou implicite par la loi pour tout dommage indirect ou consécutif en cas de violation de toute garantie. L'acheteur doit établir toutes les périodes de garantie applicables conformément à cette garantie en vérifiant la date d'achat originale en produisant le reçu de vente daté. Cette garantie ne s'applique pas à ce produit ou à toute autre partie de celui-ci qui a fait l'objet d'un accident, d'une négligence, d'une altération, d'un abus ou d'une mauvaise utilisation ou qui a été réparé ou modifié sans le consentement écrit de North Atlantic, en dehors de l'usine de North Atlantic Imports LLC. La garantie complète du fabricant n'est pas valable pour les plaques chauffantes achetées auprès de revendeurs tiers sans licence, achetées à prix réduit en raison de pièces manquantes ou endommagées, ou achetées en tant que modèle de plancher ; à la discrétion de North Atlantic Imports.

North Atlantic Imports LLC n'offre aucune garantie quant aux accessoires ou pièces non fournis avec. Cette garantie ne s'applique qu'à l'intérieur des frontières de l'Europe. Cette garantie donne à l'acheteur d'origine des droits spécifiques, et l'acheteur d'origine peut également avoir d'autres droits, qui varient d'un état à l'autre.

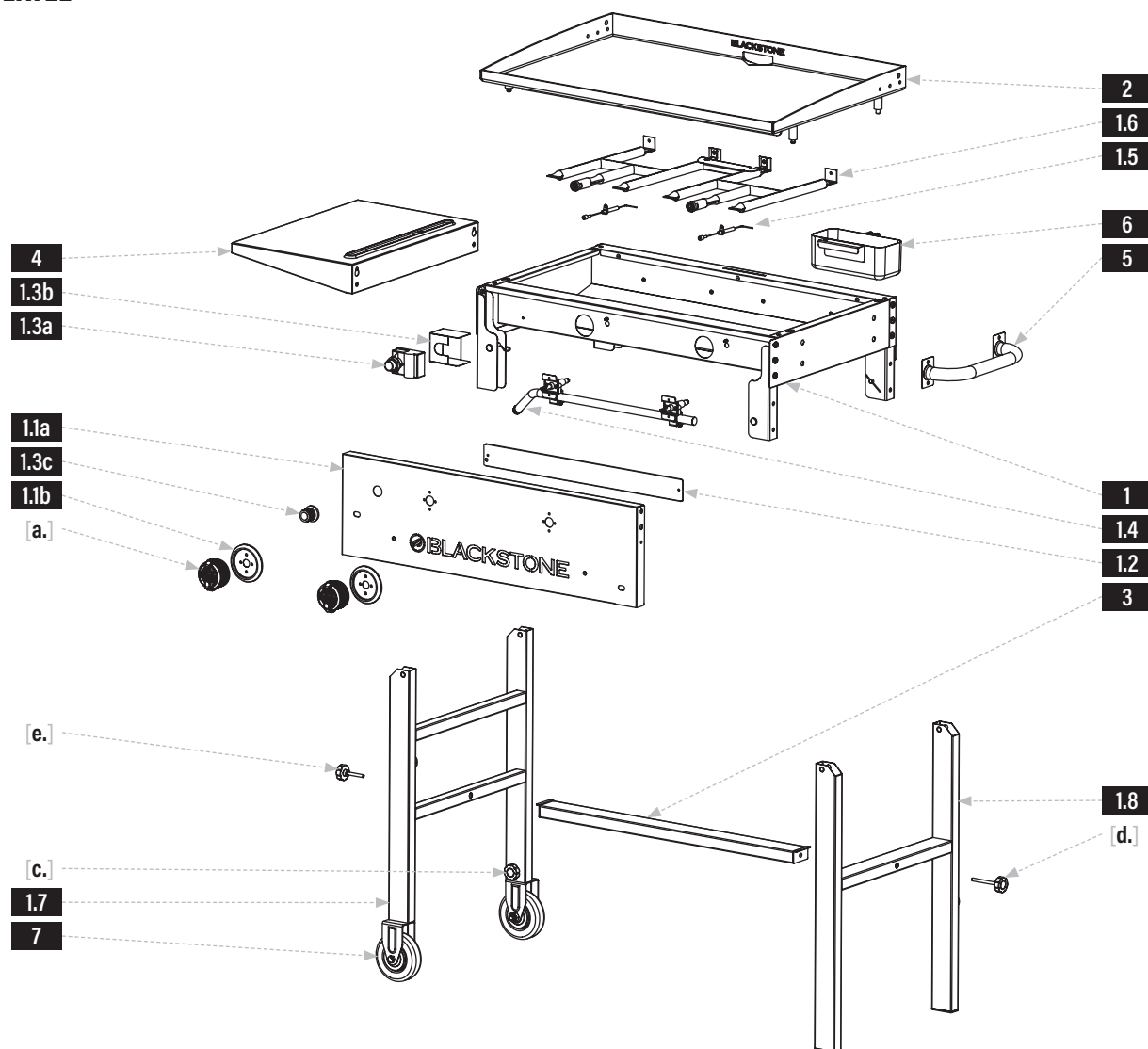
## ACTIVEZ VOTRE GARANTIE

Enregistrez votre produit sur:  
[blackstone-europe.com/pages/product-registration](https://blackstone-europe.com/pages/product-registration)

# GUIDE D'ASSEMBLAGE

## VUE ÉCLATÉE

FRANÇAIS



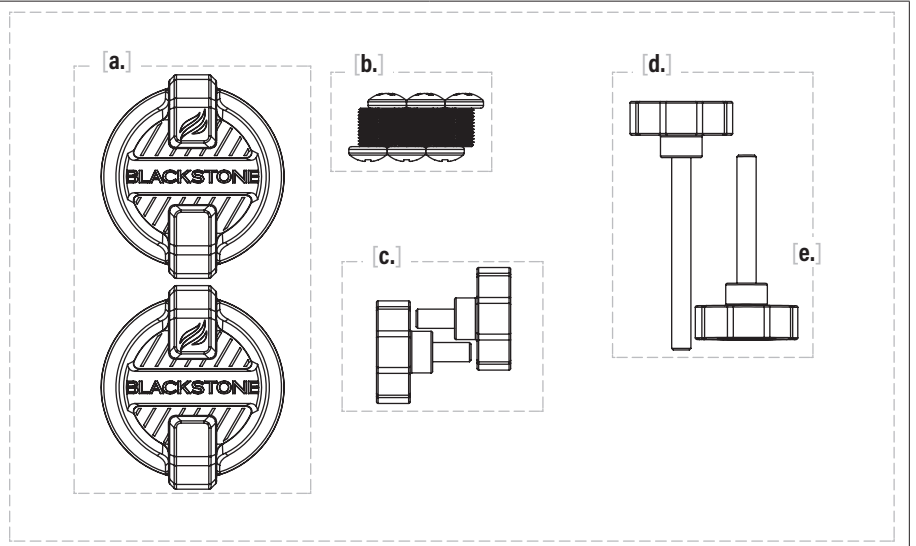
### LISTE DES PIÈCES

PIÈCES	QTÉ
1.1a Panneau de commande	1
1.1b Lunette de bouton de commande	2
1.2 Panneau de fond	1
1.3a Allumeur	1
1.3b Bouclier thermique	1
1.3c Bouton d'allumage	1
1.4 Rampe de gaz	1
1.5 Aiguilles d'allumage	2
1.6 Brûleurs H	2
1.7 Assemblage de la jambe gauche	1
1.8 Assemblage jambe droite	1

<b>1</b> Corps (1 pièce) 	<b>2</b> Plancha (1 pièce) 
<b>3</b> Attelle de jambe (1 pièce) 	<b>4</b> Tablette latérale (1 pièce) 
<b>5</b> Poignée latérale (1 pièce) 	<b>6</b> Pot à graisse (1 pièce) 
<b>7</b> Roues (2 pièces) 	<b>8</b> Embout de tuyau (1 pièce) 



- 9** Pack matériel (1 pièce)  
**a.** Boutons de commande (2 pièces)  
**b.** Vis M6x12 (2 pièces)  
 Pièces de rechange (4 pièces)  
**c.** Petites vis à oreilles (2 pièces)  
**d.** Grande vis à oreilles (1 pièce)  
**e.** Vis à oreilles moyennes (1 pièce)



## INSTRUCTIONS DE MONTAGE

Trouvez une grande surface propre pour assembler votre appareil.  
 Retirez tous les matériaux d'emballage avant l'assemblage.

### ⚠ ATTENTION

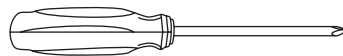
Bouts pointus. Portez des gants lors de l'assemblage.

### ⚠ ATTENTION

Morceaux lourds. Deux personnes doivent assembler cet appareil.

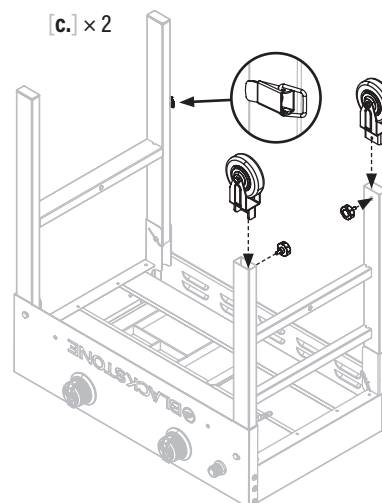


**NON INCLUS:**  
 Pile AA



**OUTIL NÉCESSAIRE:**  
 Tournevis cruciforme n° 3

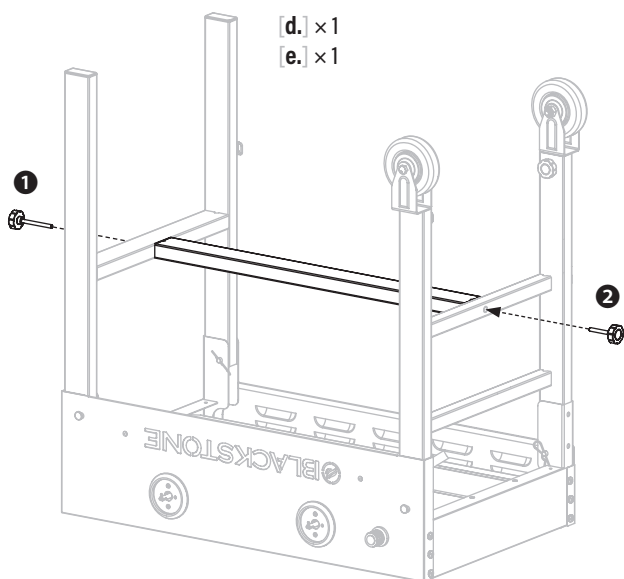
**ÉTAPE 01** Avec l'aide d'une autre personne, retirez le corps de la plaque chauffante de l'emballage et posez-le à l'envers sur une surface lisse et plane.  
 Déverrouillez et dépliez les pieds jusqu'à leur position verticale, puis utilisez deux (2) petites vis à oreilles [c.] pour fixer les deux (2) roues sur les extrémités de l'assemblage du pied gauche.



**ÉTAPE 02** ① Utilisez une (1) grande vis à oreilles [d.] pour fixer le renfort de pied à l'ensemble de pied droit.

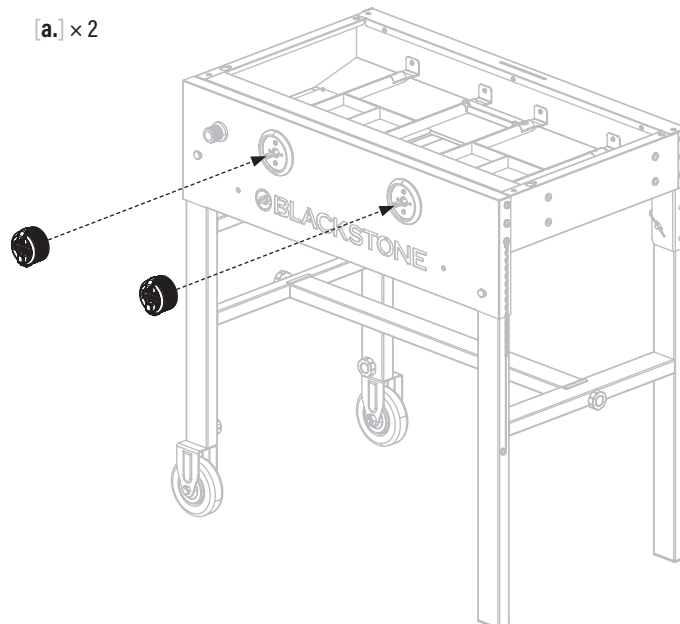
② Utilisez une (1) vis moletée moyenne [e.] pour fixer le renfort de jambe à l'ensemble de jambe gauche.

**Remarque:** Ce renfort fait partie intégrante de la stabilité de l'appareil pendant son utilisation.

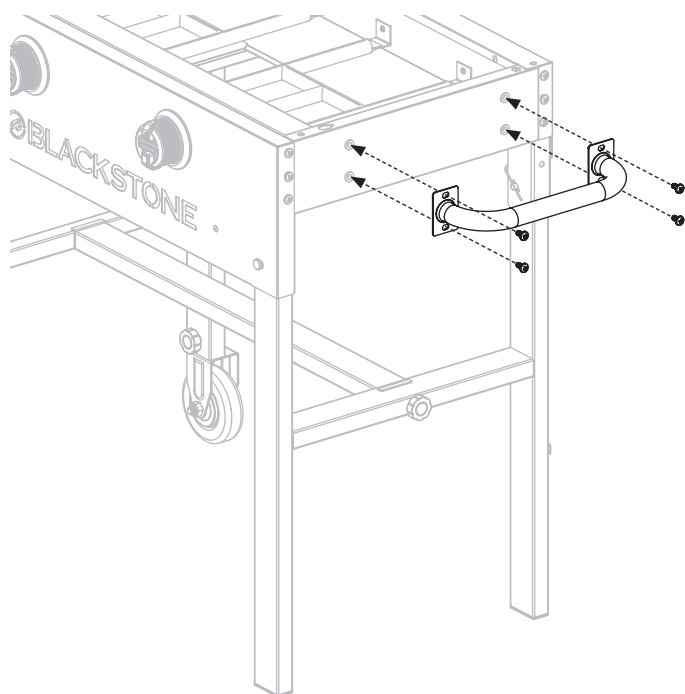


**ÉTAPE 03** Avec l'aide d'une autre personne, prenez le corps de la plaque chauffante et placez-le sur ses roues.

Installez les deux (2) boutons de commande [a.] en les poussant en position OFF.

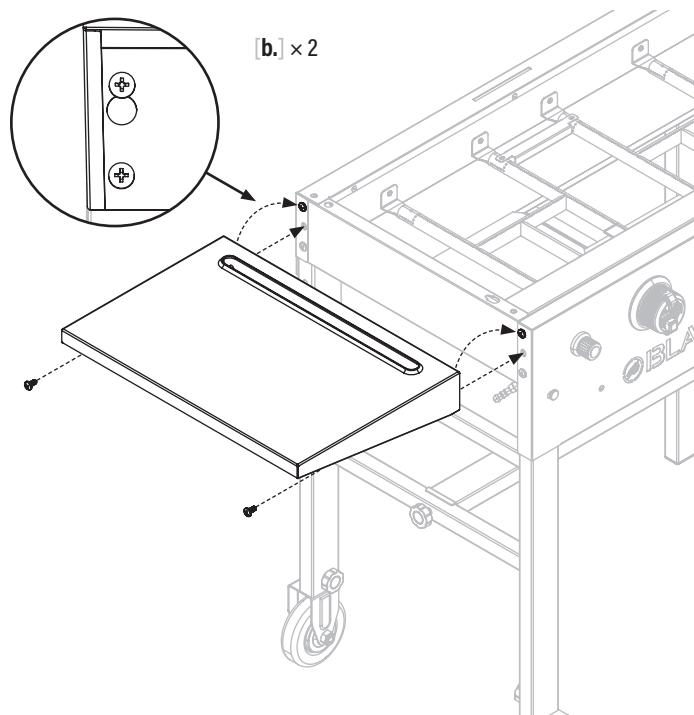


**ÉTAPE 04** Utilisez les quatre (4) vis préinstallées sur le côté droit du corps de la plaque chauffante pour fixer la poignée latérale au corps de la plaque chauffante.



**ÉTAPE 05** Desserrez les deux (2) vis M6x12 sur le côté gauche du corps de la plaque chauffante.

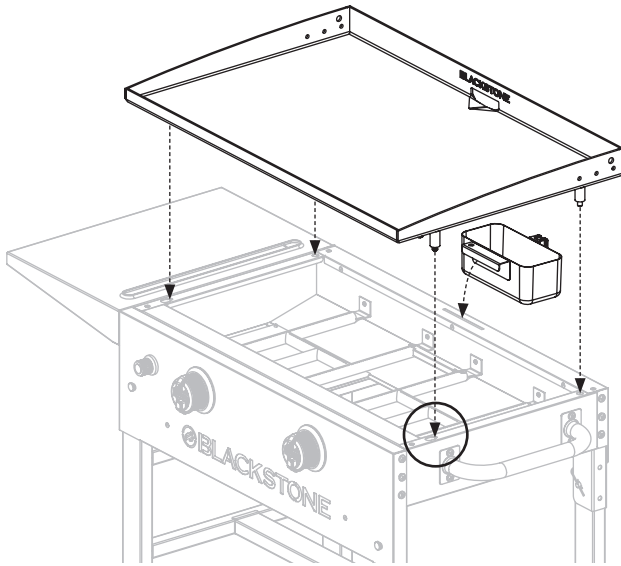
Accrochez une (1) tablette latérale sur ces vis et utilisez deux (2) vis M6x12 [b.] pour fixer la tablette latérale sur le côté gauche du corps de la plaque chauffante. Serrez les quatre vis.



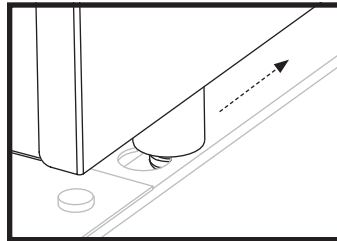


**ÉTAPE 06** Accrochez le bac à graisse dans la fente à l'arrière du corps de la plaque chauffante.

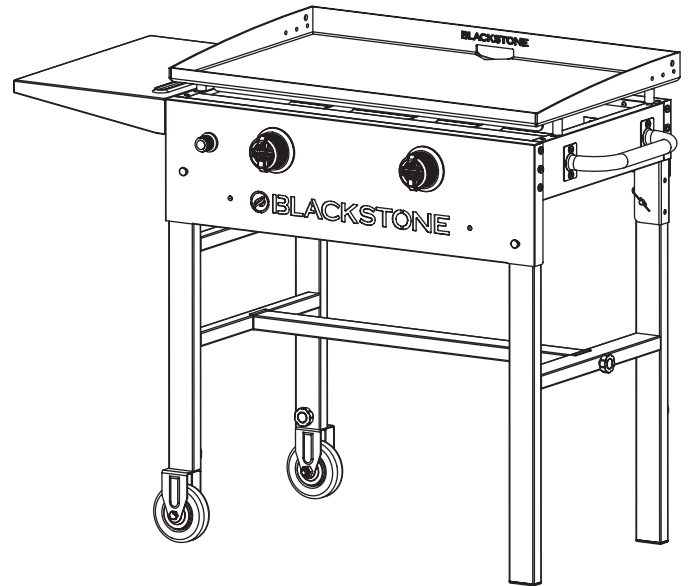
Avec l'aide d'une autre personne, placez le dessus de la plaque chauffante sur le corps principal en alignant les 4 goupilles sur les trous du corps.



Assurez-vous que les broches avant sont bien en place dans les trous, puis repoussez le dessus de la plaque chauffante.



**ÉTAPE 07** Passez à **UTILISATION DE VOTRE BLACKSTONE.**



FRANÇAIS

**ATTENTION**

La poignée deviendra chaude pendant l'utilisation de l'appareil.  
Ne touchez pas la poignée lorsque l'appareil est chaud.

**AVIS**

- Le poids maximum sur la tablette latérale est de 4,5 kg (10 lb).
- L'étagère latérale peut devenir chaude pendant l'utilisation de l'appareil.

# UTILISATION DE VOTRE BLACKSTONE

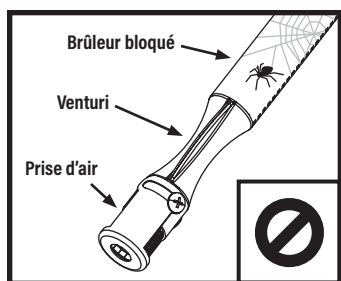
## AVANT LA CUISSON

### VÉRIFIER LES BRÛLEURS

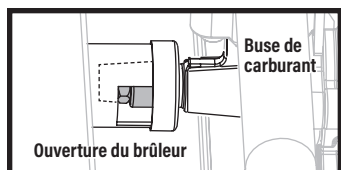
Avant le raccordement et l'utilisation, assurez-vous qu'il n'y a pas de débris coincés ou endommagés dans la tête de la bouteille de gaz, le régulateur, le tuyau, le brûleur et les orifices du brûleur.

Les araignées et les insectes peuvent nicher à l'intérieur et obstruer le brûleur/ tube venturi au niveau de l'orifice.

Veillez consulter le chapitre Dépannage pour les instructions de nettoyage du brûleur.



**⚠ AVERTISSEMENT**  
Un brûleur obstrué peut provoquer un incendie sous l'appareil.  
Le brûleur doit être retiré et nettoyé chaque fois que des blocages sont détectés.



**⚠** Assurez-vous que l'orifice de la buse de carburant de la rampe de gaz est correctement engagé dans l'ouverture du brûleur.

**⚠ DANGER**  
Les objets inflammables peuvent brûler s'ils sont placés à proximité de l'appareil.  
Gardez la zone de l'appareil dégagée et exempte de matériaux combustibles, de bombes aérosols, d'essence et d'autres vapeurs et liquides inflammables.

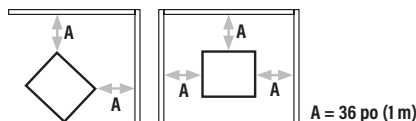
**LA TEMPÉRATURE AMBIANTE MINIMALE DE FONCTIONNEMENT EST DE 0 °F (-18 °C).**

## AMÉNAGEMENT DE VOTRE ESPACE EXTÉRIEUR CET APPAREIL NE DOIT ÊTRE UTILISÉ QU'À L'EXTÉRIEUR.

- N'UTILISEZ PAS cet appareil à l'intérieur de bâtiments, de garages ou de tout autre espace clos.
- N'INSTALLEZ PAS cet appareil dans ou sur un bateau.
- N'INSTALLEZ PAS cet appareil dans ou sur un véhicule récréatif.

## MAINTENIR DES DÉGAGEMENTS APPROPRIÉS PAR RAPPORT AUX MATÉRIAUX COMBUSTIBLES :

- N'UTILISEZ PAS cet appareil sur ou sous un balcon ou une terrasse d'appartement ou de copropriété.
- NE PAS obstruer le flux d'air de combustion et de ventilation.
- NE FAITES pas fonctionner cet appareil à moins de 36 po (1 m) des côtés et de l'arrière de l'appareil à une construction combustible.



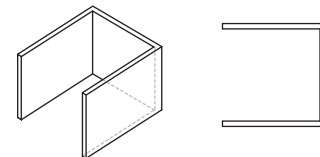
- N'UTILISEZ PAS cet appareil sous une construction combustible suspendue.

## ESPACES EXTÉRIEURS ABRITÉS:

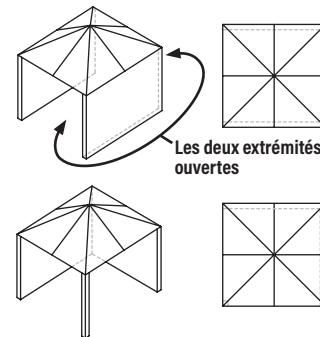
Toutes les ouvertures doivent être ouvertes en permanence ; les portes coulissantes, les portes de garage, les fenêtres ou les ouvertures grillagées ne sont pas considérées comme des ouvertures permanentes.

Un appareil est considéré comme étant à l'extérieur s'il est installé avec un abri ne dépassant pas:

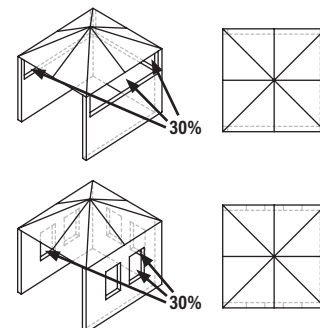
- a. Avec des murs sur trois côtés, mais sans couverture aérienne.



- b. À l'intérieur d'une enceinte partielle qui comprend un toit supérieur et pas plus de deux parois latérales. Les parois latérales peuvent être parallèles, comme dans un passage couvert, ou à angle droit l'une par rapport à l'autre.



- c. À l'intérieur d'une enceinte partielle qui comprend un couvercle supérieur et trois parois latérales, tant que 30% ou plus de la périphérie horizontale de l'enceinte est ouverte en permanence.





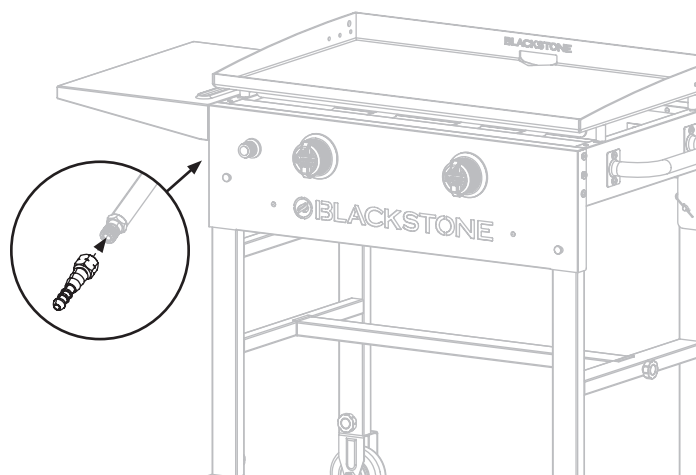


## FIXATION DU CYLINDRE DE CARBURANT

### FIXATION DU RÉGULATEUR

**ÉTAPE 01** Le régulateur et le tuyau doivent être correctement raccordés à l'appareil. Une clé doit être utilisée pour serrer l'écrou sur le filetage de raccordement. Si vous utilisez une pince à carburant, fixez le raccord cannelé à la rampe de gaz.

(Barb est un filetage à gauche.)



**ÉTAPE 02** Si le tuyau est remplacé, il doit être fixé aux connexions de l'appareil et du régulateur avec des colliers de serrage.

### ÉVITEZ DE TORDRE LE TUBE FLEXIBLE LORSQUE L'APPAREIL EST EN COURS D'UTILISATION.

- Assurez-vous que le tuyau n'est pas obstrué, plié ou en contact avec une partie quelconque de l'appareil autre qu'au niveau de son raccordement.
- Le tuyau usé ou endommagé doit être remplacé.
- Vérifiez le joint torique en caoutchouc sur l'extrémité du régulateur de l'ensemble de tuyau au moins une fois par an. S'il semble usé ou fissuré, faites-le remplacer.
- Débranchez le régulateur de la bouteille (selon les instructions fournies avec le régulateur) lorsque l'appareil n'est pas utilisé.

## INSTRUCTIONS DE TEST DE FUITE

**ÉTAPE 01** Préparez 2 à 3 onces liquides de solution de détection de fuites en mélangeant une part de liquide vaisselle avec 3 parts d'eau.

**ÉTAPE 02** Fermez l'alimentation en gaz au robinet de la bouteille de gaz.

**ÉTAPE 03** Assurez-vous que la soupape de commande est sur « OFF ».

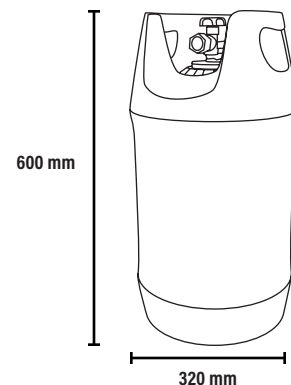
**ÉTAPE 04** Connectez le régulateur à la bouteille et la vanne MARCHE/ARRÊT au brûleur, assurez-vous que les connexions sont sécurisées, puis allumez le gaz.

**ÉTAPE 05** Brossez l'eau savonneuse sur le tuyau et tous les joints. Si des bulles apparaissent, vous avez une fuite, qui doit être réparée avant utilisation. Retestez après avoir réparé le défaut.

**ÉTAPE 06** Coupez l'alimentation en gaz de la bouteille de gaz après utilisation. Si une fuite est détectée à nouveau et ne peut pas être corrigée, N'ESSAYEZ PAS de remédier à la fuite mais consultez votre fournisseur de gaz.

### EXIGENCES RELATIVES AUX BOUTEILLES DE GPL

- Votre appareil peut être utilisé avec des bouteilles de gaz entre 11 kg et 15 kg.
- La taille maximale de la bouteille de gaz doit être : Dia. 320 mm, Hauteur : 600 mm (régulateur inclus).
- Suivez les informations techniques comme indiqué dans le manuel d'instructions et vérifiez auprès de votre fournisseur de gaz local pour avoir une bouteille de gaz adaptée à votre appareil.



### SÉCURITÉ DES BOUTEILLES DE GAZ

- La bouteille de gaz ne doit pas tomber ou être manipulée brutalement.
- Si l'appareil n'est pas utilisé, le cylindre doit être débranché.
- Remplacez le capuchon de protection sur la bouteille après avoir débranché la bouteille de l'appareil.
- La bouteille de gaz doit être située à l'extérieur du corps de l'appareil.
- Connectez ou remplacez toujours la bouteille dans un endroit bien aéré et loin de toute source d'ignition, jamais en présence d'une flamme, d'une étincelle ou d'une source de chaleur.
- Les bouteilles doivent être entreposées à l'extérieur en position verticale et hors de portée des enfants. La bouteille ne doit jamais être entreposée à des températures pouvant atteindre plus de 50°C. Ne rangez pas la bouteille à proximité de flammes, de veilleuses ou d'autres sources d'inflammation. NE PAS FUMER.
- Assurez-vous que le compartiment de la bouteille de gaz (le cas échéant) n'est pas obstrué, maintenez-le ventilé et propre.
- Vous devez faire entretenir ou remplacer le cylindre tous les dix ans. La date du dernier service doit être estampillée sur le goulot de la bouteille.
- En cas d'utilisation au sol, placez toujours l'appareil et le cylindre sur un sol plat.

# INSTRUCTIONS D'ALLUMAGE

## 1. CLAPETS ANTI-RETOUR

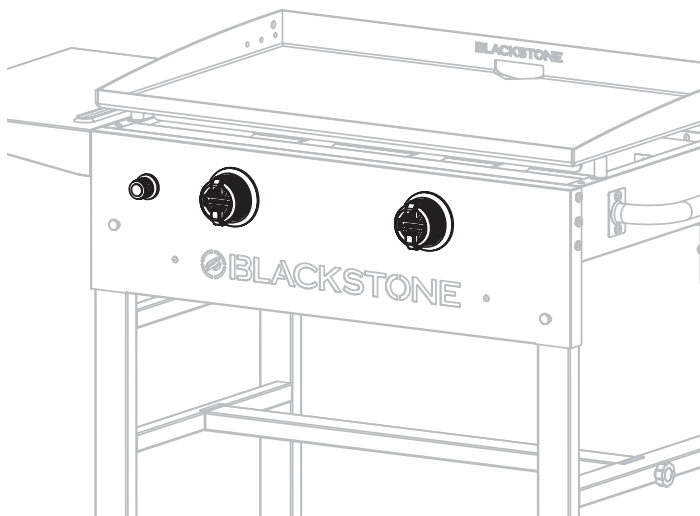
**ÉTAPE 01** Tourner le bouton en position OFF.

**ÉTAPE 02** Appuyez sur le bouton et relâchez. Le bouton devrait revenir en arrière.  
Si les boutons ne reviennent pas, remplacez l'assemblage de la valve avant d'utiliser l'appareil.

**ÉTAPE 03** Tournez le bouton sur LOW puis remettez-le sur OFF. Le bouton doit tourner en douceur.

### ⚠ AVERTISSEMENT

Si le brûleur ne s'allume pas avec la vanne d'alimentation en gaz ouverte, le gaz continuera à s'écouler du brûleur et pourrait s'enflammer accidentellement/par inadvertance avec un risque de blessure.  
Assurez-vous que le gaz est coupé au niveau du robinet d'arrêt d'alimentation avant de vérifier les vannes de l'appareil.

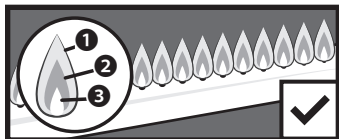


## 3. VÉRIFIEZ TOUJOURS LA FLAMME DU BRÛLEUR AVANT UTILISATION.

**ÉTAPE 01** Allumez les brûleurs et tournez les boutons de HAUT à BAS.

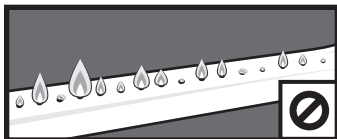
**ÉTAPE 02** Regardez sous la surface de cuisson pour voir les brûleurs. Lorsque le bouton est sur HIGH, les flammes doivent être plus grandes que lorsque le bouton est sur LOW.

### MODÈLE DE FLAMME SAIN



- 1 Scintillements de couleur jaune.
- 2 Couleur bleu foncé. 3 Bleu vif.

### JAUNE OU IRRÉGULIER

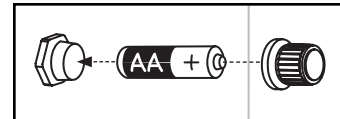


En cas de chute soudaine ou de problème de flamme faible, veuillez vous référer au chapitre Dépannage.

## 2. ALLUMAGE ALIMENTÉ PAR BATTERIE

⚠ Ne vous penchez pas sur l'appareil pendant l'allumage.

**ÉTAPE 01** Insérez une (1) pile AA (non incluse) sous le bouton d'allumage.  
Visser le bouton en place sur la borne positive.



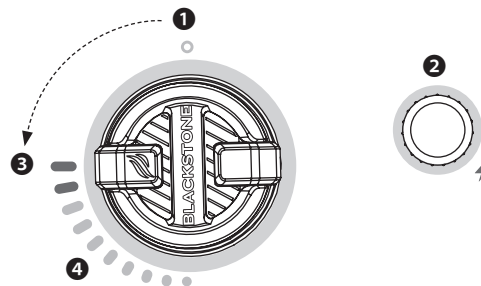
### ÉTAPE 02

1 Tournez le bouton de commande sur OFF.

Allumez le gaz en tournant le volant de la bouteille de gaz de 1 à 3 tours dans le sens antihoraire.

### ÉTAPE 03

- 2 Appuyez sur le bouton d'allumage et maintenez-le enfoncé.
- 3 Poussez et tournez le bouton de commande dans le sens inverse des aiguilles d'une montre jusqu'à HAUT.  
(Lâchez le bouton d'allumage lorsque le brûleur s'allume.)
- 4 Réglez la température au niveau souhaité.



## SI L'ALLUMAGE NE SE PRODUIT PAS DANS LES 5 SECONDES :

**ÉTAPE 01** Éteignez le bouton de commande du brûleur.

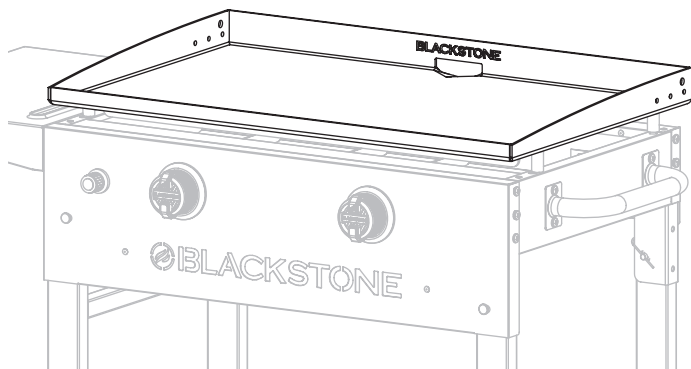
**ÉTAPE 02** Attends 5 minutes.

**ÉTAPE 03** Répétez la procédure d'éclairage.

Si le brûleur ne s'allume pas, veuillez vous référer au chapitre Dépannage.



# INSTRUCTIONS D'ASSAISONNEMENT POUR PLAQUE CHAUFFANTE



## LAVER LE DESSUS DE VOTRE PLANCHA AVANT LA PREMIÈRE UTILISATION

### AVIS

Le savon ruinerait une plaque chauffante assaisonnée. C'est la seule fois où vous devez utiliser du savon sur la surface de cuisson de la plaque chauffante.

**ÉTAPE 01** Lavez la surface de cuisson de la plaque chauffante avec de l'eau chaude savonneuse.

**ÉTAPE 02** Rincez et séchez complètement.

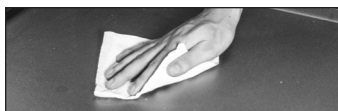


### DIDACTICIEL VIDÉO

Comment assaisonner une nouvelle plaque chauffante Blackstone

▶ [youtube.com/watch?v=VspmDVnj2pl&t=3s](https://www.youtube.com/watch?v=VspmDVnj2pl&t=3s)

**ÉTAPE 01** Essayez tous les débris du dessus de la plaque chauffante.



**ÉTAPE 02** Réglez votre plaque chauffante à feu vif jusqu'à ce que le dessus de votre plaque chauffante change de couleur. (~10 minutes)

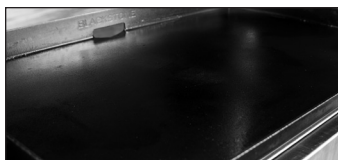


**ÉTAPE 03** Utilisez des pinces pour tenir une serviette en papier ou un chiffon en coton et étalez 2 à 3 cuillères à soupe de votre huile d'assaisonnement sur tout le dessus de la plaque chauffante.

Lorsque vous assaisonnez le dessus de votre plaque chauffante, n'oubliez pas d'utiliser une couche d'huile fine et uniforme - plus la couche d'huile est fine, plus il sera facile de la brûler.



**ÉTAPE 04** Le dessus de la plaque chauffante est prêt pour une autre couche d'huile lorsqu'il cesse de fumer. Répétez L'ÉTAPE 03 3 à 4 fois ou jusqu'à ce que la surface de la plaque chauffante soit noire.



## QUELLE HUILE EST PRÉFÉRABLE D'UTILISER?

- Blackstone Seasoning and Cast Iron Conditioner.
- Toute huile de cuisson à base de plantes.
- Graisse animale fondue sans additifs.



## DÉPANNAGE DE L'ASSAISONNEMENT

### IL Y A UN RÉSIDU BRUNÂTRE SUR LA SURFACE DE LA PLAQUE CHAUFFANTE:

#### CAUSES POSSIBLES

- Trop d'huile a été utilisée.
- Vous avez éteint le chauffage trop tôt.

#### LA SOLUTION

**ÉTAPE 01** Allumez votre plaque chauffante à feu vif et laissez-la chauffer pendant 10 à 15 minutes.

**ÉTAPE 02** Grattez autant que possible l'huile épaissie et partiellement cuite.

**ÉTAPE 03** Réassaisonnez avec une très fine couche d'huile.

### LES BORDS DE LA SURFACE DE LA PLAQUE CHAUFFANTE NE SONT PAS NOIRS:

Après avoir utilisé votre plaque chauffante pour plusieurs cuisiniers, l'assaisonnement s'uniformisera et s'améliorera.

## PRÉVENTION DE LA ROUILLE

Utilisez fréquemment votre plancha. Chaque fois que vous cuisinez, vous ajoutez de l'assaisonnement, ce qui rend la rouille moins probable.

### AVIS

Si vous vivez dans un climat humide ou côtier, votre plancha peut nécessiter des assaisonnements plus fréquents entre les utilisations.

Si de la rouille apparaît sur la surface de la plaque chauffante, frottez-la avec de la laine d'acier, du papier de verre à faible grain ou la **Blackstone Pumice Stone** et ré-assaisonnez la surface.



### DIDACTICIEL VIDÉO

Récupération de votre plaque chauffante Blackstone  
▶ [youtube.com/watch?v=thPE2lgnSil](https://www.youtube.com/watch?v=thPE2lgnSil)

## CUISINER SUR VOTRE BLACKSTONE

### ⚠ ATTENTION

Cet appareil sera chaud pendant et après utilisation. Utilisez des ustensiles à long manche et des gants de cuisine/ gants de protection lors de la manipulation de pièces potentiellement chaudes pour vous protéger contre les brûlures et les éclaboussures.

### ⚠ ATTENTION

Si l'appareil est équipé d'un porte-essuie-tout, le bras doit être en position ouverte pendant l'utilisation de l'appareil.

### AVIS

Ne rangez aucun article à moins de 3 po (8 cm) de la surface de cuisson pendant son utilisation.

### SI DE LA GRAISSE OU UN AUTRE MATÉRIAU CHAUD S'ÉGOUTTE SUR LA VANNE, LE TUYAU OU LE RÉGULATEUR:

**ÉTAPE 01** Coupez immédiatement l'alimentation en gaz.

**ÉTAPE 02** Déterminez la cause et corrigez-la.

**ÉTAPE 03** Nettoyez et inspectez la vanne, le tuyau et le régulateur.

**ÉTAPE 04** Effectuez un test de fuite. (Veuillez vous référer aux instructions de test de fuite)

### RECETTES VIDÉO

Trouvez des recettes et des conseils de cuisine sur:

🌐 [BlackstoneProducts.com/recipes](https://blackstoneproducts.com/recipes)

📺 [youtube.com/BlackstoneGriddles](https://youtube.com/BlackstoneGriddles)

📱 [@blackstoneproducts](https://www.instagram.com/blackstoneproducts)



**PANCAKES AUX FRAISES ET À LA CRÈME**  
Petit-déjeuner

**BURGER AUX OIGNONS FRITS DE L'OKLAHOMA**  
Déjeuner



**TACOS BORRACHOS**  
Dîner

### NETTOYER LE DESSUS DE VOTRE PLANCHA

Nettoyez le dessus de la plaque chauffante après chaque utilisation, pendant qu'il est encore chaud.

- N'UTILISEZ PAS de savon sur le dessus de la plaque chauffante. Cela détruira l'assaisonnement de la plaque chauffante.



#### DIDACTICIEL VIDÉO

Comment nettoyer votre plaque chauffante Blackstone  
📺 [youtube.com/watch?v=-ledu9z6NPY](https://youtube.com/watch?v=-ledu9z6NPY)

**ÉTAPE 01** Poussez les débris alimentaires dans le bac à graisse avec une spatule ou un grattoir métallique droit.



**ÉTAPE 02** Essuyez le dessus de la plaque chauffante avec une serviette en papier.



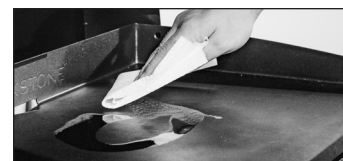
**ÉTAPE 03** Appliquez quelques cuillères à soupe d'eau sur la surface de la plaque chauffante, puis raclez l'eau et les débris dans le bac à graisse. (Pour les résidus alimentaires collés, utilisez un peu de gros sel.)



**ÉTAPE 04** Essuyez à nouveau avec une serviette en papier et séchez complètement.



**ÉTAPE 05** Appliquez une fine couche d'huile de cuisson pour maintenir l'assaisonnement et protéger le dessus de la plaque chauffante.



### VIDEZ VOTRE GODET À GRAISSE

Le bac à graisse doit être retiré et vidé après chaque utilisation.

### ⚠ ATTENTION

Le bac à graisse sera chaud pendant et après l'utilisation. Ne retirez pas le bac à graisse tant que la plaque chauffante n'est pas complètement refroidie.



## ENTRETIEN ET MAINTENANCE

### ⚠ AVERTISSEMENT

L'accumulation de graisse peut provoquer un incendie. Nettoyez toute partie de l'appareil qui devient chaude et qui subit une accumulation de graisse après chaque utilisation.

### ⚠ ATTENTION

Tout le nettoyage et l'entretien doivent être effectués lorsque l'appareil est froid et que tout est éteint.

- N'UTILISEZ PAS de tampon abrasif sur les zones comportant des graphiques.
- Si une brosse à poils est utilisée pour nettoyer l'une des surfaces de cuisson, assurez-vous qu'aucun poil lâche ne reste sur les surfaces de cuisson avant la cuisson.

### CORPS DE L'APPAREIL:

Laver à l'eau tiède savonneuse et essuyer immédiatement avec un chiffon non abrasif. (Ne laissez pas les agents de nettoyage reposer sur une surface poreuse pendant une période prolongée.)

### AVIS

N'UTILISEZ PAS de Citrisol, de nettoyeurs abrasifs ou de nettoyant concentré sur l'appareil. Cela peut entraîner des dommages et une défaillance des pièces.

## STOCKAGE D'APPAREILS

### ⚠ AVERTISSEMENT

Ne déplacez pas l'appareil pendant son utilisation. Laissez l'appareil refroidir à 115°F (45°C) avant de le déplacer ou de le ranger.

Le stockage d'un appareil à l'intérieur n'est autorisé que si l'alimentation en gaz est coupée et retirée de l'appareil.

### GUIDE D'AJUSTEMENT DE COUVERTURE

Couvrez toujours votre appareil lorsqu'il est rangé à l'extérieur.



Pour trouver une housse adaptée à votre appareil, visitez [BlackstoneProducts.com/support](https://BlackstoneProducts.com/support).

# DÉPANNAGE

## DÉPANNAGE D'ALLUMAGE

### LE BRÛLEUR NE S'ALLUME PAS:

Si l'allumage ne se produit pas dans les 5 secondes:

**ÉTAPE 01** Éteignez le bouton de commande du brûleur.

**ÉTAPE 02** Attendez 5 minutes.

**ÉTAPE 03** Répétez la procédure d'allumage.

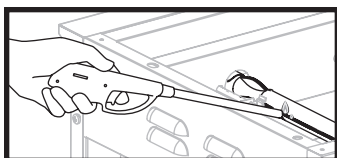
Si cela ne fonctionne pas, pour en déterminer la cause, essayez d'allumer votre appareil avec une allumette.

### INSTRUCTIONS D'ALLUMAGE DES ALLUMETTES

Avant de commencer, vérifiez les fuites de gaz. Ouvrez le capot (le cas échéant).

**ÉTAPE 01** Tourner le bouton de commande en position OFF.

**ÉTAPE 02** Allumez une allumette (ou un long briquet) d'au moins 11 pouces de long.



**ÉTAPE 03** Placez la flamme sur le côté droit ou gauche du brûleur.

**ÉTAPE 04** Poussez et tournez le bouton de commande pour faire couler le gaz. Assurez-vous que le brûleur s'allume et reste allumé.

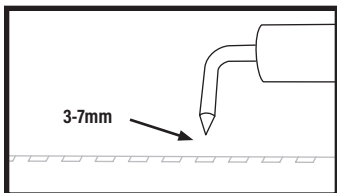
### SI VOUS POUVEZ ALLUMER VOTRE APPAREIL AVEC UNE ALLUMETTE:

#### CAUSES POSSIBLES

Fil d'allumage mal aligné.

#### LA SOLUTION

Assurez-vous que l'aiguille de l'allumeur est positionnée à 3-7 mm du brûleur et alignée avec les trous du brûleur.

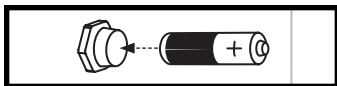


Dommages au système d'allumage.

Contactez le service client pour les pièces de rechange.

Batterie morte / mal installée.

Remplacez par une nouvelle batterie.



### SI VOUS NE PARVEZ PAS À ALLUMER VOTRE APPAREIL AVEC UNE ALLUMETTE:

#### CAUSES POSSIBLES

Les tubes de brûleur ne reçoivent pas de combustible.

#### LA SOLUTION

Nettoyez l'ensemble du brûleur pour éliminer l'obstruction.

## DÉPANNAGE DU DÉBIT DE GAZ

### LES FLAMMES DU BRÛLEUR SONT JAUNES OU IRRÉGULIÈRES:

- L'appareil n'atteint pas une chaleur élevée ou chauffe de manière inégale.
- Les flammes du brûleur commencent à être fortes, puis chutent immédiatement au niveau bas même lorsque le brûleur est réglé en position haute.
- La hauteur de la flamme diminue lorsqu'un deuxième brûleur est allumé.
- Les flammes ne s'étendent pas sur toute la longueur du brûleur ou ne circulent que d'un côté du brûleur.
- Les flammes du brûleur sont irrégulières.

#### CAUSES POSSIBLES

Obstructions dans le brûleur, les jets de gaz ou la rampe de carburant.

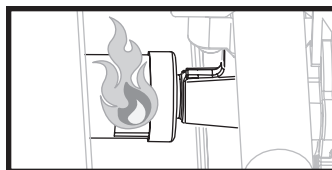
La bouteille de gaz est vide ou presque vide.

#### LA SOLUTION

Nettoyez le brûleur, les jets et le tuyau de gaz.

Remplissez ou remplacez la bouteille de gaz.

### UNE FLAMME SORT DE LA GRILLE D'AÉRATION:



#### CAUSES POSSIBLES

Quelque chose bloque le venturi dans le tube du brûleur.

#### LA SOLUTION

Nettoyez l'ensemble du brûleur pour éliminer l'obstruction.



## NETTOYAGE DE L'ENSEMBLE BRÛLEUR

Pour réduire les risques de « retour de flamme », la procédure ci-dessous doit être suivie au moins une fois par mois lorsque les araignées sont les plus actives ou lorsque votre appareil n'a pas été utilisé pendant une période de temps.



### DIDACTICIEL VIDÉO

Comment nettoyer votre tube de brûleur  
 ▶ [youtube.com/watch?v=xKQTCrFCzf8](https://www.youtube.com/watch?v=xKQTCrFCzf8)

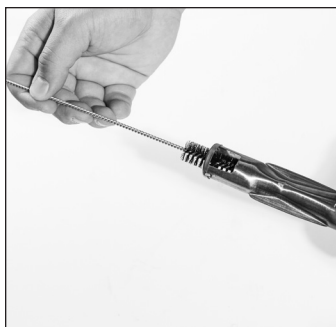
**ÉTAPE 01** Détachez l'ensemble régulateur de la bouteille de GPL en tournant l'écrou de couplage rapide dans le sens des aiguilles d'une montre.

- Retirez le dessus de la plaque chauffante.
- Retirez le brûleur en tirant sur le clip du brûleur. Utilisez un tournevis ou une pince à bec effilé.

**ÉTAPE 02** Soulevez délicatement le brûleur et éloignez-le de l'orifice de la soupape à gaz.

**ÉTAPE 03** Nettoyez l'intérieur du brûleur:

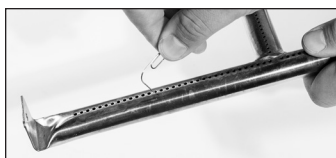
- Passez une brosse à bouteille (pas une brosse métallique) ou un fil rigide plié en un petit crochet à travers chaque tube de brûleur plusieurs fois.
- Utilisez de l'air comprimé pour souffler à travers le tube du brûleur et les orifices du brûleur (portez des lunettes de protection).



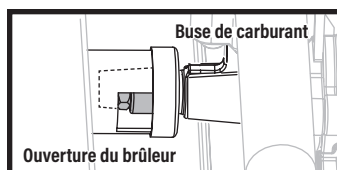
**ÉTAPE 04** Brossez toute la surface extérieure du brûleur pour enlever la saleté.



**ÉTAPE 05** Nettoyez tous les ports bloqués avec un fil rigide tel qu'un trombone ouvert.



**ÉTAPE 06** Remplacez soigneusement les brûleurs et rattachés-les, en faisant attention à l'emplacement de l'aiguille d'allumage.



⚠ La buse de carburant de la rampe de gaz doit être réengagée dans l'ouverture du brûleur.

## SERVICE CLIENT

Pour toutes questions, demandes de renseignements ou support client, veuillez contacter:

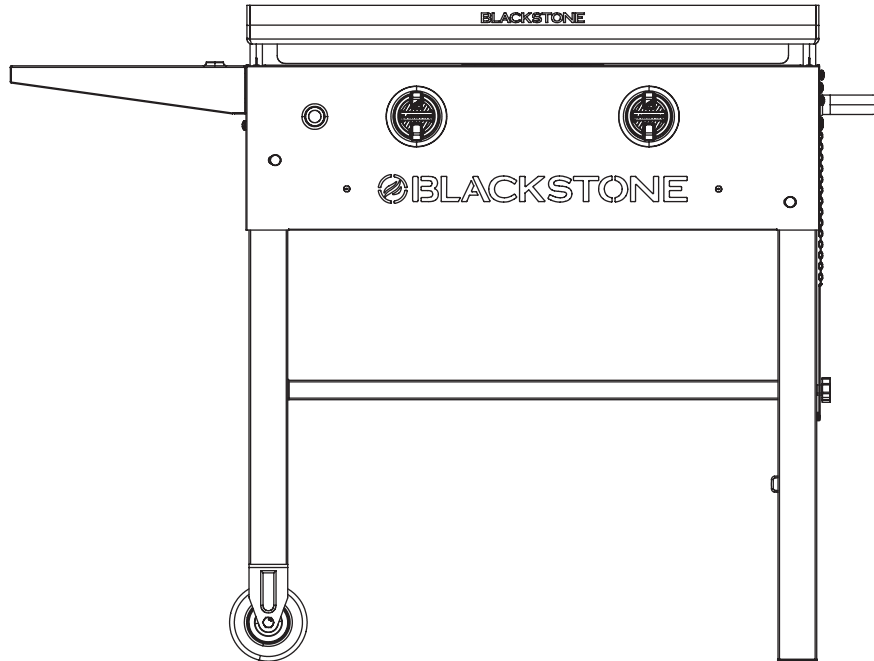
**Griddle Masters Europe ApS**  
**Blackstone Europe**  
 Tel. +45 2424 7709  
 Nordre Strandvej 119, 3150 Hellebæk  
 Denmark  
[www.blackstone-europe.com](http://www.blackstone-europe.com)



Ce produit peut être couvert par un ou plusieurs brevets américains et/ou internationaux délivrés et peut inclure des demandes de brevet en instance. Pour plus d'informations, rendez-vous sur: [BlackstoneProducts.com/patents](https://BlackstoneProducts.com/patents)

FABRICANT: NORTH ATLANTIC IMPORTS, LLC 1073 W 1700 N LOGAN, UT 84321 ÉTATS-UNIS | BLACKSTONE EST UNE MARQUE DÉPOSÉE DE NORTH ATLANTIC IMPORTS, LLC  
IMPORTÉ PAR GRIDDLE MASTERS, NORDRE STRANDVEJ 119, 3150 HELLEBAEK, DENMARK





MANUAL DEL PROPIETARIO | INSTRUCCIONES DE MONTAJE PARA APARATOS DE GAS PARA EXTERIORES

# 28" PLANCHA

## TABLA DE CONTENIDO

INFORMACION DE SEGURIDAD IMPORTANTE .....	02
GARANTÍA .....	03
GUÍA DE MONTAJE.....	04
USANDO SU BLACKSTONE.....	08
SOLUCIÓN DE PROBLEMAS.....	14

### IMPORTANTE:

Use solo al aire libre.

Lea las instrucciones antes de usar el aparato.

Conserve este manual para futuras referencias.

Si tiene alguna pregunta sobre el montaje o el funcionamiento, consulte a su distribuidor o a la empresa de gas LPG.

### CLAVE DE ALERTA DE SEGURIDAD

#### ⚠ PELIGRO

Indica una situación peligrosa que, si NO SE evita, provocará la muerte o lesiones graves.

#### ⚠ ADVERTENCIA

Indica una situación peligrosa que, si NO SE evita, podría provocar la muerte o lesiones graves.

#### ⚠ ATENCIÓN

Indica una situación peligrosa que, si NO SE evita, podría provocar lesiones leves o moderadas.

#### AVISO

Indica información que se considera importante, pero no relacionada con peligros (por ejemplo, mensajes relacionados con daños a la propiedad).

# INFORMACION DE SEGURIDAD IMPORTANTE

ESPAÑOL

**POR TU SEGURIDAD**

Si huele a gas:

1. Cierre el suministro de gas en el cilindro de gas.
2. Extinguir todas las llamas desnudas; no opere ningún aparato eléctrico.
3. Ventile el área.
4. Compruebe si hay fugas como se detalla en este manual.
5. Si el olor persiste, comuníquese con su distribuidor o proveedor de gas de inmediato.

**PRECAUCIONES**

1. Haga una prueba de fugas en todas las conexiones después de cada recarga del tanque.
2. Nunca verifique si hay fugas con una llama abierta, use siempre una solución de agua jabonosa.
3. No almacene ni use gasolina u otros vapores y líquidos inflamables cerca de este aparato.
4. Cualquier cilindro de gas que no esté conectado para su uso no debe almacenarse cerca de este o cualquier otro aparato.



**SI SE IGNORAN LAS INSTRUCCIONES, SE PUEDEN PRODUCIR INCENDIOS O EXPLOSIONES PELIGROSOS.**

Es responsabilidad del consumidor asegurarse de que el electrodoméstico esté debidamente ensamblado, instalado y cuidado. El incumplimiento de las instrucciones de este manual podría provocar lesiones y/o daños a la propiedad.

<b>MODELO/TIPO NO.</b>	2145EU			<b>CE</b> 2531-23	<b>UK</b> <b>CA</b> 8504-23
<b>ENTRADA DE CALOR:</b>	2 x 5.0 kW	<b>TOTAL:</b>	10.0 kW (7271 g/h)		
<b>CATEGORÍA DE GAS:</b>	<b>I3+(28~30/ 37)</b>		<b>I3B/P(30)</b>	<b>I3B/P(50)</b>	
<b>TIPOS DE GASES:</b>	Butano (G30)	Propano (G31)	G30, G31 o sus mezclas		G30, G31 o sus mezclas
<b>PRESION DEL GAS:</b>	(28-30) mbar	37mbar	(28-30) mbar		50 mbar
<b>CÓDIGO PIN:</b>	<b>CE:</b> 2531DN-0117		<b>UKCA:</b> 8504DO-0003		<b>UKCA:</b> 8504DO-0003
	BE, FR, IT, LU, IE, GB, GR, PT, ES, CY, CZ, LT, CH, SI, LV, TR		LU, NL, DK, FI, SE, CY, CZ, EE, LT, MT, SK, SI, BG, IS, NO, HR, RO, IT, HU, LV, GR		DE, AT, CH, SK
<b>Use solo al aire libre.</b>					
<b>Lea las instrucciones antes de usar el aparato.</b>					
<b>⚠ ADVERTENCIA: las partes accesibles pueden estar muy calientes. Mantenga alejados a los niños pequeños.</b>					
<b>Este aparato debe mantenerse alejado de materiales inflamables durante su uso.</b>					
<b>No mueva el aparato durante su uso.</b>					
<b>Cierre el suministro de gas en el cilindro de gas después de su uso.</b>					
<b>NO MODIFIQUE el aparato.</b>					

## REQUISITOS DEL REGULADOR Y LA MANGUERA

- Utilice únicamente reguladores y mangueras aprobados para gas LP a las presiones anteriores. La manguera utilizada debe cumplir con la norma pertinente del país de uso.
- Utilice un regulador adecuado que esté certificado según BSEN 12864 o EN 16129. Asegúrese de que el regulador y la manguera flexible cumplan con el código local.
- La longitud de la manguera flexible no debe exceder los 1,5 m. En Finlandia, la longitud no excederá de 1,2 m. La manguera debe estar certificada según la norma EN aplicable y cumplir con el código local.

Consulte a su distribuidor de GLP para obtener información sobre un regulador adecuado para el cilindro de gas.

## ⚠ ADVERTENCIA

El uso de un regulador o manguera incorrectos no es seguro; Siempre verifique que tenga los artículos correctos antes de operar el aparato.

Este aparato sólo es apto para su uso con gas butano o propano a baja presión o mezclas de GLP, equipado con el regulador de baja presión adecuado a través de un tubo flexible.

La esperanza de vida del regulador y la manguera se estima en 2 años.

# GARANTÍA

## DESCRIPCIÓN GENERAL DE LA GARANTÍA

North Atlantic Imports, el fabricante, garantizará durante dos años desde la compra todas las piezas, la mano de obra y los acabados. Será opción del fabricante reparar o reemplazar cualquiera de los elementos anteriores. Todas las garantías se limitan únicamente al comprador original. Esta garantía no cubre ninguna responsabilidad por parte de North Atlantic Imports, sus agentes o empleados, por daños indirectos o consecuentes por incumplimiento de la garantía. El comprador debe seguir las instrucciones de uso del fabricante. Bajo ninguna circunstancia, el fabricante es responsable de los daños causados por la falta de operación adecuada de la estación de cocción. Es responsabilidad del comprador establecer el período de garantía verificando la fecha de compra original con el recibo de compra original.

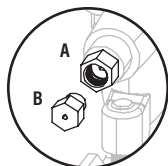
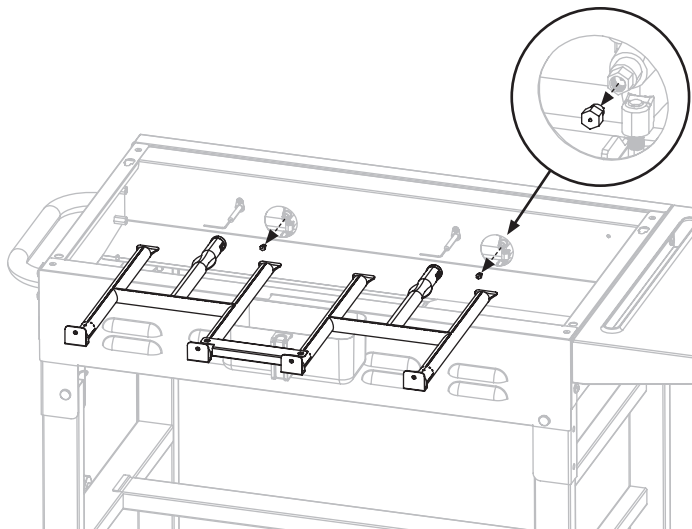
## MODIFICACIÓN DE PRESIÓN ACEPTABLE

- Las piezas selladas por el fabricante o su representante no deben ser alteradas por el usuario.
- NO SE deben realizar modificaciones en ninguna parte de este aparato.
- Las reparaciones y el mantenimiento solo deben ser realizados por un ingeniero de servicio registrado.

Haga que un profesional haga estas modificaciones.

**PASO 01** Retire los tornillos para separar los quemadores.

**PASO 02** Retire las boquillas de combustible (B) para países de baja presión. (28-30 mbar) (La boquilla tiene rosca a la izquierda).



### TAMAÑO DE LA BOQUILLA (ORIFICIO)

- (A) 29mbar (1.08 mm)
- (B) 50mbar (1.10 mm)

## EXPLICACIÓN DETALLADA DE LA GARANTÍA

North Atlantic Imports LLC garantiza al propietario que el producto cubierto por este acuerdo está libre de defectos de material y mano de obra en condiciones normales de uso y servicio para el que fue diseñado si, pero solo si, ha sido operado de acuerdo con North Atlantic Imports LLC instrucciones exclusivamente para uso doméstico, y no para club privado o público, instituciones o fines comerciales.

La obligación de North Atlantic Imports LLC en virtud de esta garantía se limita a reemplazar o reparar, sin cargo, cualquier pieza o piezas que, a satisfacción de North Atlantic Imports LLC, puedan resultar defectuosas bajo el uso y servicio doméstico normal dentro de los siguientes períodos establecidos de tiempo a partir de la fecha de compra; durante dos años a partir de la compra, todas las piezas, el acabado y la mano de obra. En caso de que se manifieste alguna falta de conformidad con esta garantía durante los períodos de garantía aplicables mencionados anteriormente, el comprador original debe notificar a North Atlantic Imports LLC sobre el incumplimiento de la garantía dentro del período de garantía aplicable.

North Atlantic Imports LLC, previa notificación y cumplimiento por parte del comprador original de dichas instrucciones, corregirá dicha falta de conformidad mediante la reparación o el reemplazo de la pieza o piezas defectuosas.

La corrección en la forma prevista anteriormente constituirá el cumplimiento de todas las obligaciones de North Atlantic Imports LLC con respecto a la calidad del producto.

North Atlantic Imports LLC no garantiza que este equipo cumpla con los requisitos de ningún código de seguridad de ningún estado, municipio u otra jurisdicción, y el comprador original asume todos los riesgos y responsabilidades que resulten del uso del mismo, ya sea que se use de acuerdo con North Atlantic Imports Instrucciones de LLC o de otra manera.

Esta garantía no cubre y pretende excluir cualquier responsabilidad por parte de North Atlantic, sus agentes, empleados o empleados, ya sea en virtud de esta garantía o implícitos por ley, por cualquier daño indirecto o consecuente por incumplimiento de cualquier garantía. El comprador debe establecer todos los períodos de garantía aplicables de conformidad con esta garantía al verificar la fecha de compra original al presentar el recibo de compra fechado. Esta garantía NO SE aplicará a este producto ni a ninguna otra parte del mismo que haya sido objeto de accidente, negligencia, alteración, abuso o mal uso, o que haya sido reparado o alterado sin el consentimiento por escrito de North Atlantic, fuera de la fábrica de North Atlantic Imports LLC. La garantía completa del fabricante no es válida para planchas compradas a revendedores externos sin licencia, compradas con descuento debido a piezas faltantes o dañadas, o compradas como modelo de piso; a discreción de North Atlantic Imports.

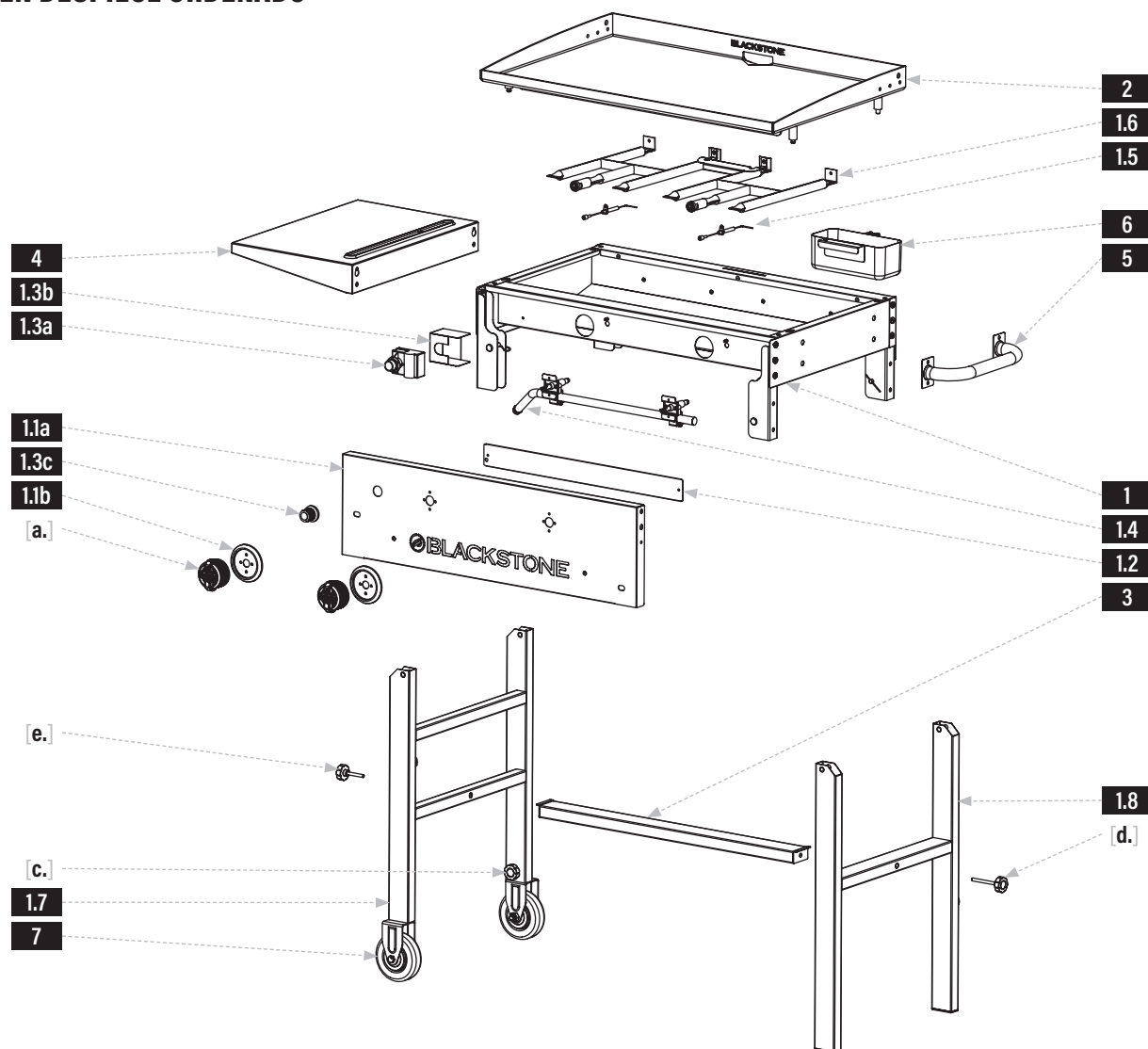
North Atlantic Imports LLC no ofrece garantía alguna con respecto a los accesorios o piezas que NO SE suministren con él. Esta garantía se aplicará únicamente dentro de los límites de Europa. Esta garantía otorga derechos específicos al comprador original, y el comprador original también puede tener otros derechos, que varían de un estado a otro.

## ACTIVA TU GARANTÍA

Registre su producto en:  
[blackstone-europe.com/pages/product-registration](https://blackstone-europe.com/pages/product-registration)

# GUÍA DE MONTAJE

## VISTA EN DESPIECE ORDENADO



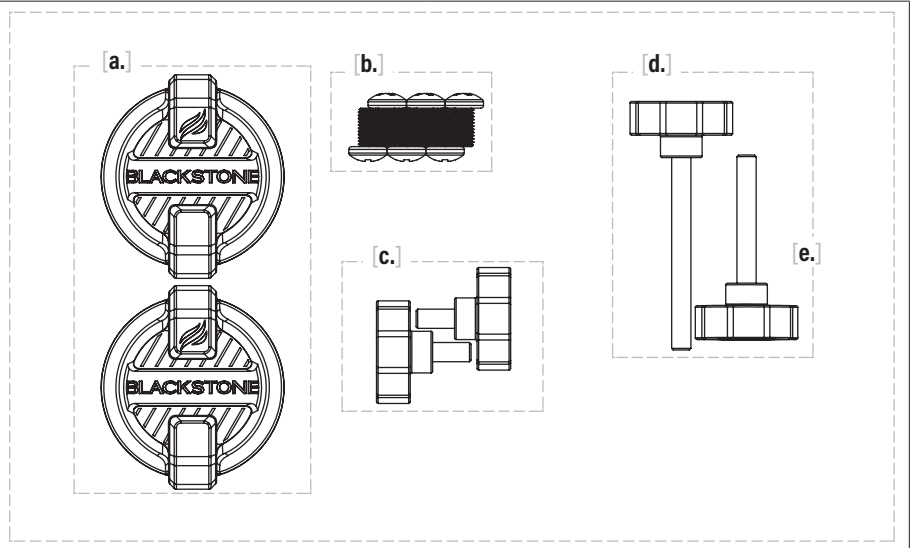
### LISTA DE PARTES

PIEZAS	CTD
<b>1.1a</b> Panel de control	1
<b>1.1b</b> Biseles de las perillas de control	2
<b>1.2</b> Panel de fondo	1
<b>1.3a</b> Encendedor	1
<b>1.3b</b> Escudo térmico	1
<b>1.3c</b> Botón de encendido	1
<b>1.4</b> Riel de gas	1
<b>1.5</b> Agujas de encendido	2
<b>1.6</b> Quemadores H	2
<b>1.7</b> Montaje de la pierna izquierda	1
<b>1.8</b> Montaje de la pierna derecha	1

<b>1</b> Cuerpo (1 pieza)	<b>2</b> Plancha superior (1 pieza)
<b>3</b> Soporte de pierna (1 pieza)	<b>4</b> Estante lateral (1 pieza)
<b>5</b> Asa lateral (1 pieza)	<b>6</b> Copa de grasa (1 pieza)
<b>7</b> Ruedas (2 piezas)	<b>8</b> Espiga de manguera (1 pieza)



- 9** Paquete de hardware (1 pieza)
- a.** Perillas de control (2 piezas)
- b.** Tornillos M6x12 (2 piezas)  
Repuestos (4 piezas)
- c.** Tornillos de mariposa pequeños (2 piezas)
- d.** Tornillo de mano grande (1 pieza)
- e.** Tornillo de mariposa mediano (1 pieza)



ESPAÑOL

## INSTRUCCIONES DE MONTAJE

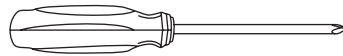
Encuentre un área grande y limpia para ensamblar su electrodoméstico.  
Retire todo el material de embalaje antes de ensamblar.

**⚠ ATENCIÓN**  
Bordes afilados. Use guantes durante el montaje.

**⚠ ATENCIÓN**  
Piezas pesadas. Dos personas deben armar este aparato.

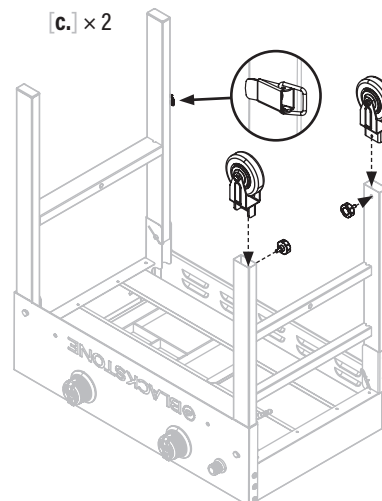


**NO INCLUIDO:**  
Pila AA



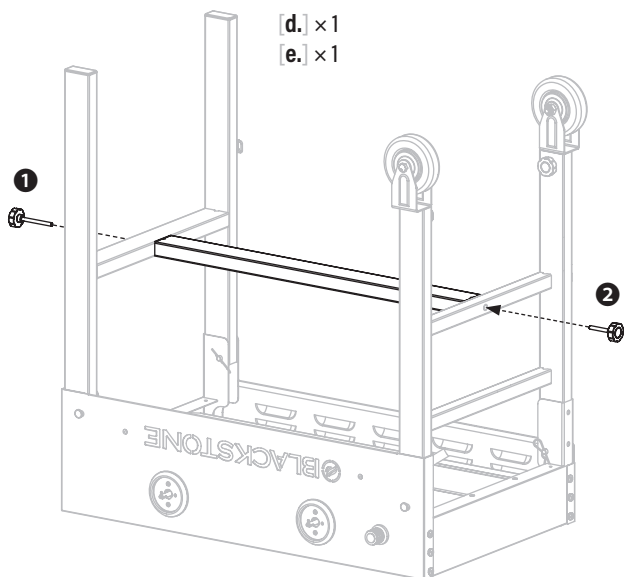
**HERRAMIENTA NECESARIA:**  
Destornillador de cabeza Phillips n.º 3

**PASO 01** Con la ayuda de otra persona, retire el cuerpo de la plancha del empaque y colóquelo boca abajo sobre una superficie lisa y plana. Desenganche y despliegue las patas a su posición vertical, luego use dos (2) tornillos pequeños [c.] para sujetar las dos (2) ruedas a los extremos del conjunto de la pata izquierda.



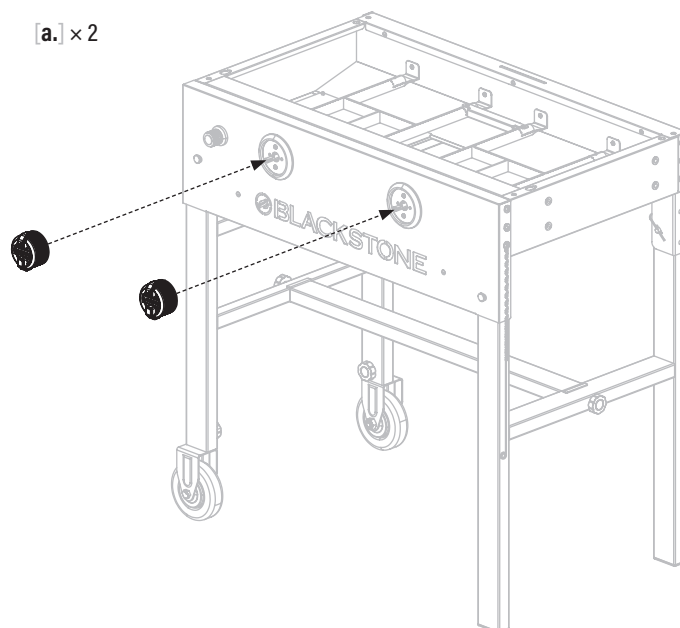
- PASO 02** ① Utilice un (1) tornillo de mano grande [d.] para sujetar el soporte de la pata al conjunto de la pata derecha.
- ② Utilice un (1) tornillo de mariposa mediano [e.] para sujetar el soporte de la pata al conjunto de la pata izquierda.

**Nota:** Esta abrazadera es parte integral de la estabilidad del aparato mientras está en uso.

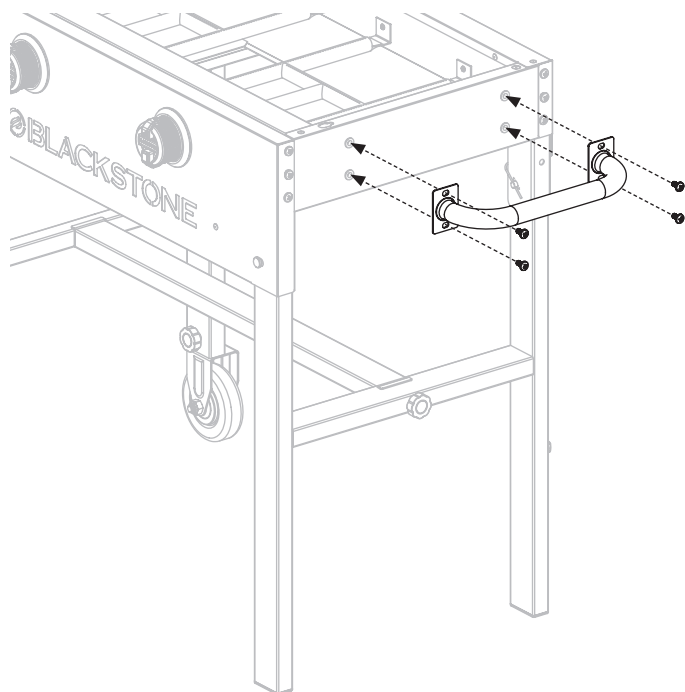


- PASO 03** Con la ayuda de otra persona, levante el cuerpo de la plancha y colóquelo sobre sus ruedas. Instale las dos (2) perillas de control [a.] empujándolas en su lugar en la posición APAGADO.

[a.] x 2

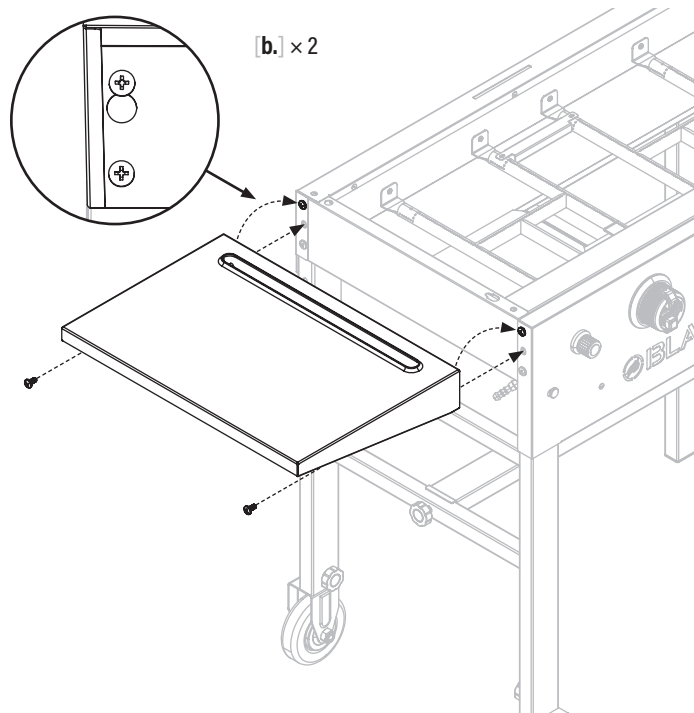


- PASO 04** Use los cuatro (4) tornillos preinstalados en el lado derecho del cuerpo de la plancha para sujetar la manija lateral al cuerpo de la plancha.



- PASO 05** Afloje los dos (2) tornillos M6x12 del lado izquierdo del cuerpo de la plancha.

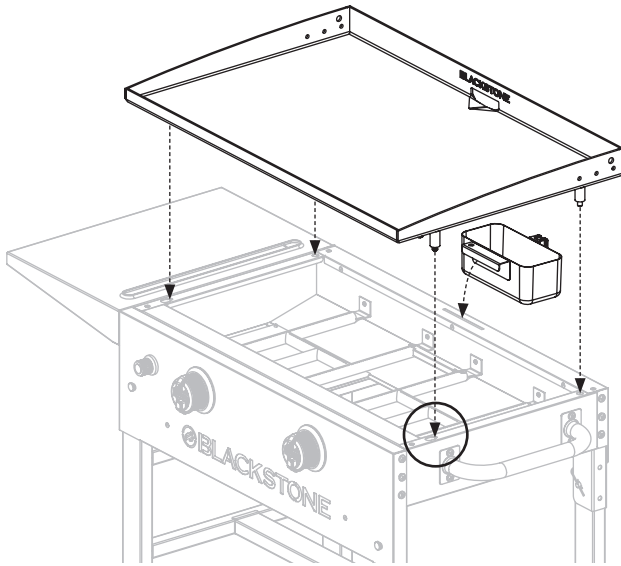
Enganche un (1) estante lateral en estos tornillos y use dos (2) tornillos M6x12 [b.] para asegurar el estante lateral al lado izquierdo del cuerpo de la plancha. Apriete los cuatro tornillos.



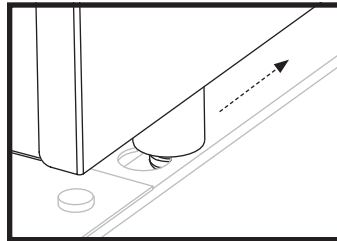


**PASO 06** Cuelgue el recipiente para grasa en la ranura en la parte posterior del cuerpo de la plancha.

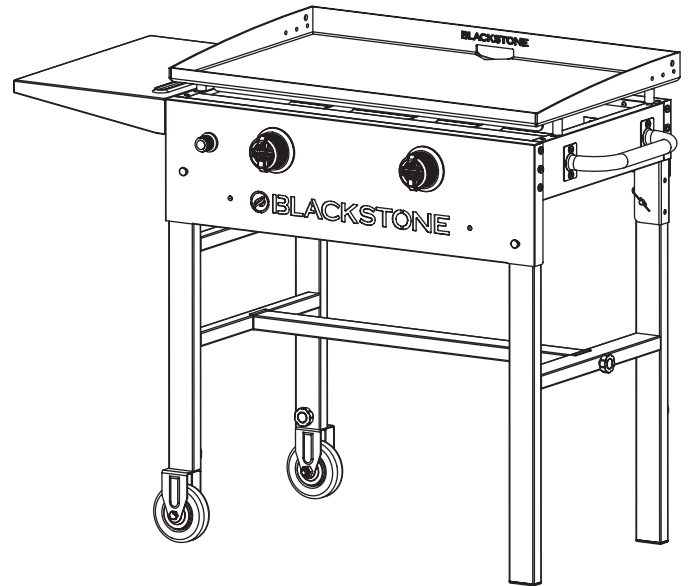
Con la ayuda de otra persona, coloque la parte superior de la plancha sobre el cuerpo principal alineando los 4 pasadores con los orificios del cuerpo.



Asegúrese de que las clavijas frontales estén asentadas en los orificios y luego empuje la parte superior de la plancha hacia atrás.



**PASO 07** Continúe con **USANDO SU BLACKSTONE.**



**⚠ ATENCIÓN**

El mango se calentará mientras el aparato esté en uso.  
No toque el mango mientras el aparato esté caliente.

**AVISO**

- El peso máximo en el estante lateral es de 10 libras (4,5 kg).
- El estante lateral puede calentarse mientras el aparato está en uso.

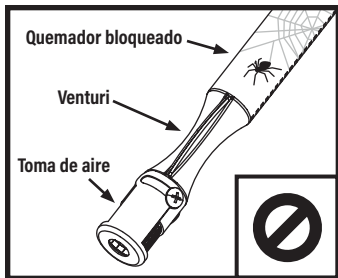
# USANDO SU BLACKSTONE

## ANTES DE COCINAR COMPROBAR QUEMADORES

Antes de la conexión y el uso, asegúrese de que no haya residuos atrapados ni daños en la cabeza del cilindro de gas, el regulador, la manguera, el quemador y los puertos del quemador.

Las arañas y los insectos pueden anidar dentro y obstruir el quemador/tubo venturi en el orificio.

Consulte el capítulo Solución de problemas para obtener instrucciones de limpieza del quemador.



**⚠ ADVERTENCIA**  
Un quemador obstruido puede provocar un incendio debajo del aparato. El quemador debe retirarse y limpiarse cada vez que se encuentren obstrucciones.



**⚠** Asegúrese de que el orificio de la boquilla de combustible del riel de gas esté correctamente enganchado dentro de la abertura del quemador.

**⚠ PELIGRO**  
Los artículos inflamables pueden arder si se colocan cerca del aparato. Mantenga el área del electrodoméstico despejada y libre de materiales combustibles, envases de aerosol, gasolina y otros vapores y líquidos inflamables.

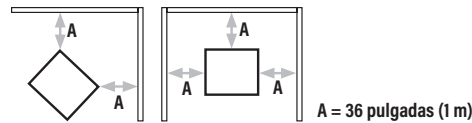
**LA TEMPERATURA AMBIENTE MÍNIMA DE FUNCIONAMIENTO ES DE 0 °F (-18 °C).**

## CONFIGURACIÓN DE SU ESPACIO AL AIRE LIBRE ESTE APARATO SOLO DEBE USARSE AL AIRE LIBRE.

- NO USE este aparato dentro de edificios, garajes o cualquier otra área cerrada.
- NO INSTALE este aparato dentro o sobre un barco.
- NO INSTALE este aparato dentro o sobre un vehículo recreativo.

## MANTENGA LAS DISTANCIAS ADECUADAS DEL MATERIAL COMBUSTIBLE:

- NO USE este electrodoméstico sobre o debajo de ningún apartamento o balcón o terraza de condominio.
- No obstruya el flujo de aire de combustión y ventilación.
- NO OPERE este aparato a menos de 36 pulgadas (1 m) desde los lados y la parte trasera del aparato hasta una construcción combustible.



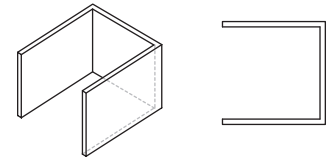
- NO UTILICE este aparato bajo construcciones combustibles elevadas.

## ÁREAS AL AIRE LIBRE PROTEGIDAS:

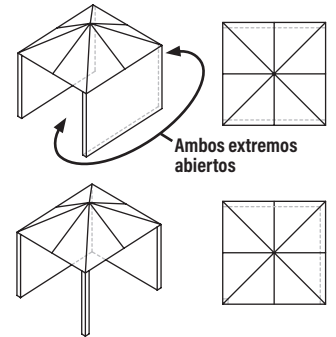
Todas las aberturas deben estar permanentemente abiertas; Las puertas correderas, las puertas de garaje, las ventanas o las aberturas con mosquitero NO SE consideran aberturas permanentes.

Se considera que un electrodoméstico está al aire libre si se instala con una protección que no exceda de:

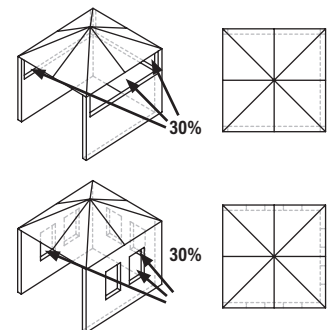
- a. Con paredes en tres lados, pero sin cubierta superior.



- b. Dentro de un recinto parcial que incluye una cubierta superior y no más de dos paredes laterales. Las paredes laterales pueden ser paralelas, como en un corredor, o en ángulo recto entre sí.



- c. Dentro de un recinto parcial que incluye una cubierta superior y tres paredes laterales, siempre que el 30% o más de la periferia horizontal del recinto esté permanentemente abierta.





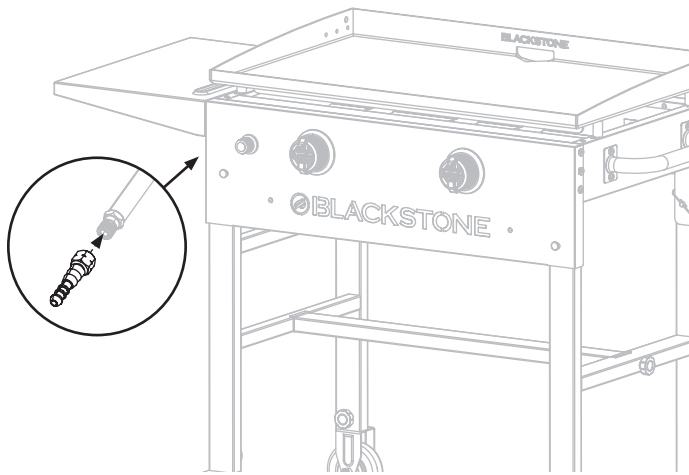


# COLOCACIÓN DEL CILINDRO DE COMBUSTIBLE

## COLOCACIÓN DEL REGULADOR

**PASO 01** El regulador y la manguera deben estar conectados correctamente al aparato. Se debe utilizar una llave para apretar la tuerca en la rosca de conexión.

Si usa una abrazadera de combustible, conecte la lengüeta de la manguera al riel de gas.  
(La lengüeta es rosca izquierda).



**PASO 02** Si se reemplaza la manguera, debe asegurarse al aparato y a las conexiones del regulador con abrazaderas para manguera.

### EVITE TORCER EL TUBO FLEXIBLE CUANDO EL APARATO ESTÉ EN USO.

- Asegúrese de que la manguera no esté obstruida, doblada o en contacto con cualquier parte del aparato que no sea su conexión.
- La manguera desgastada o dañada debe ser reemplazada.
- Revise la junta tórica de goma en el extremo del regulador del conjunto de la manguera al menos una vez al año. Si parece desgastado o agrietado, reemplácelo.
- Desconecte el regulador del cilindro (según las instrucciones provistas con el regulador) cuando el aparato no esté en uso.

## INSTRUCCIONES DE PRUEBA DE FUGAS

**PASO 01** Prepare de 2 a 3 onzas líquidas de solución de detección de fugas mezclando una parte de detergente líquido con 3 partes de agua.

**PASO 02** Cierre el suministro de gas en la válvula del cilindro de gas.

**PASO 03** Asegúrese de que la válvula de control esté "APAGADA".

**PASO 04** Conecte el regulador al cilindro y la válvula ON/OFF al quemador, asegúrese de que las conexiones estén seguras y luego abra el gas.

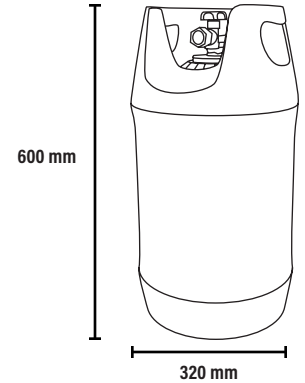
**PASO 05** Cepille el agua jabonosa sobre la manguera y todas las juntas. Si aparecen burbujas, tiene una fuga, que debe corregirse antes de su uso. Vuelva a probar después de corregir la falla.

**PASO 06** Cierre el suministro de gas en el contenedor de gas después de su uso.

Si se detecta una fuga nuevamente y NO SE puede rectificar, NO INTENTE curar la fuga; consulte a su distribuidor de gas.

## REQUISITOS DEL CILINDRO DE GLP

- Su aparato puede utilizarse con bombonas de gas de entre 11 kg y 15 kg.
- El tamaño máximo del cilindro de gas debe ser: Dia. 320mm, Altura: 600 mm (regulador incluido).
- Siga la información técnica que se indica en el manual de instrucciones y consulte con su proveedor local de gas para tener un cilindro de gas adecuado para su electrodoméstico.



## SEGURIDAD DE CILINDROS DE GAS

- El cilindro de gas no debe dejarse caer ni manipularse bruscamente.
- Si el aparato no está en uso, el cilindro debe estar desconectado.
- Vuelva a colocar la tapa protectora en el cilindro después de desconectar el cilindro del aparato.
- El cilindro de gas debe colocarse fuera del cuerpo del aparato.
- Siempre conecte o reemplace el cilindro en un área bien ventilada y lejos de cualquier fuente de ignición, nunca en presencia de una llama, chispa o fuente de calor.
- Los cilindros deben almacenarse al aire libre en posición vertical y fuera del alcance de los niños. El cilindro nunca debe almacenarse donde las temperaturas puedan alcanzar más de 50°C. No almacene el cilindro cerca de llamas, luces piloto u otras fuentes de ignición. NO FUME.
- Asegúrese de que el compartimiento del cilindro de gas (si lo hay) no esté obstruido, manténgalo ventilado y limpio.
- Deberá reparar o reemplazar el cilindro cada diez años. La fecha del último servicio debe estar estampada en el cuello de la botella.
- Cuando se utilice en el suelo, coloque siempre el aparato y el cilindro sobre un suelo plano y nivelado.

# INSTRUCCIONES DE ENCENDIDO

## 1. VÁLVULAS DE RETENCIÓN

**PASO 01** Gire la perilla a la posición de APAGADO.

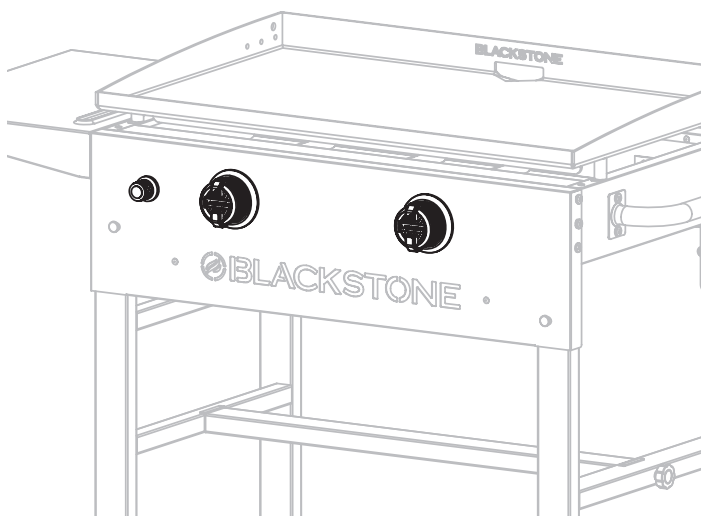
**PASO 02** Empuje la perilla y suelte. La perilla debe retroceder. Si las perillas no retroceden, reemplace el ensamblaje de la válvula antes de usar el aparato.

**PASO 03** Gire la perilla a BAJO y luego vuelva a APAGADO. La perilla debe girar suavemente.

### ⚠ ADVERTENCIA

Si el quemador NO SE enciende con la válvula de suministro de gas abierta, el gas seguirá saliendo del quemador y podría encenderse accidental o inadvertidamente con riesgo de lesiones.

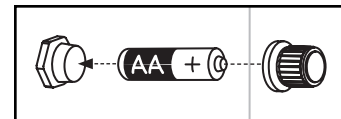
Asegúrese de que el gas esté cerrado en la válvula de cierre de suministro antes de revisar las válvulas del aparato.



## 2. ENCENDIDO ALIMENTADO POR BATERÍA

⚠ NO SE incline sobre el aparato mientras lo enciende.

**PASO 01** Inserte una (1) batería AA (no incluida) debajo del botón de encendido. Atornille el botón en su lugar sobre el terminal positivo.



### **PASO 02**

1 Gire la perilla de control a APAGADO.

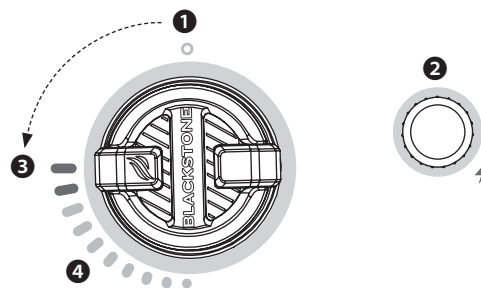
Abra el gas girando el volante del cilindro de gas en sentido antihorario de 1 a 3 vueltas.

### **PASO 03**

2 Mantenga presionado el botón de encendido.

3 Empuje y gire la perilla de control en sentido antihorario a ALTO. (Suelte el botón de encendido cuando se encienda el quemador).

4 Ajuste la temperatura al nivel deseado.

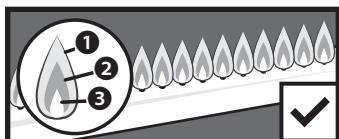


## 3. SIEMPRE REVISE LA LLAMA DEL QUEMADOR ANTES DE USARLO.

**PASO 01** Encienda los quemadores y gire las perillas de ALTO a BAJO.

**PASO 02** Mire debajo de la superficie de cocción para ver los quemadores. Cuando la perilla está en ALTO, las llamas deben ser más grandes que cuando la perilla está en BAJA.

### PATRÓN DE LLAMA SALUDABLE



- 1 Párpadeos de color amarillo.
- 2 Color azul oscuro. 3 Azul vibrante.

### AMARILLO O IRREGULAR



Si hay una caída repentina o un problema de llama baja, consulte el capítulo Solución de problemas.

### SI EL ENCENDIDO NO OCURRE EN 5 SEGUNDOS:

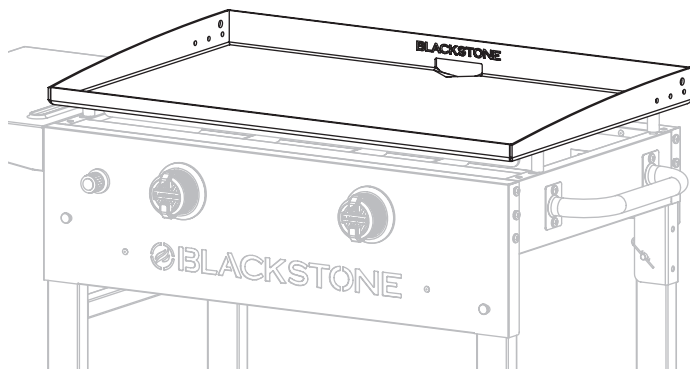
**PASO 01** Apague la perilla de control del quemador.

**PASO 02** Espere 5 minutos.

**PASO 03** Repita el procedimiento de iluminación. Si el quemador NO SE enciende, consulte el capítulo Solución de problemas.



# INSTRUCCIONES PARA SAZONAR LA PLANCHA



## LAVADO DE LA PARTE SUPERIOR DE LA PLANCHA ANTES DEL PRIMER USO

### AVISO

El jabón arruinará una plancha experimentada. Esta es la única vez que debe usar jabón en la superficie de cocción de la plancha.

**PASO 01** Lave la superficie de cocción de la plancha con agua caliente y jabón.

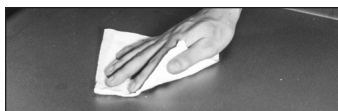
**PASO 02** Enjuague y seque completamente.



### VIDEOTUTORIAL

Cómo sazonar una nueva plancha Blackstone  
[youtube.com/watch?v=VspmDVnj2pl&t=3s](https://www.youtube.com/watch?v=VspmDVnj2pl&t=3s)

**PASO 01** Limpie cualquier residuo de la parte superior de la plancha.



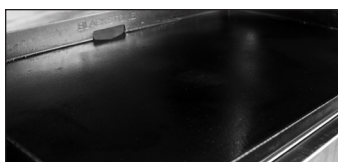
**PASO 02** Configura tu plancha a fuego alto hasta que la parte superior de la plancha cambie de color. (~10 minutos)



**PASO 03** Use pinzas para sostener una toalla de papel o un paño de algodón y extienda 2-3 cucharadas de su aceite de condimento en toda la parte superior de la plancha. Cuando sazone la parte superior de su plancha, recuerde usar una capa delgada y uniforme de aceite: cuanto más delgada sea la capa de aceite, más fácil será quemarla.



**PASO 04** La parte superior de la plancha está lista para otra capa de aceite cuando deja de humear. Repita el PASO 03 3-4 veces, o hasta que la superficie de la plancha esté negra.



### ¿QUÉ ACEITE ES MEJOR USAR?

- Blackstone Seasoning and Cast Iron Conditioner.
- Cualquier aceite de cocina de origen vegetal.
- Grasa animal fundida sin aditivos.



## SOLUCIÓN DE PROBLEMAS DE CONDIMENTOS HAY UN RESIDUO MARRÓN EN LA SUPERFICIE DE LA PLANCHA:

### POSIBLES CAUSAS

- Se usó demasiado aceite.
- Apagaste la calefacción demasiado pronto.

### SOLUCIÓN

**PASO 01** Encienda su plancha a temperatura alta y déjela calentar durante 10-15 minutos.

**PASO 02** Raspe la mayor cantidad de aceite espesado y parcialmente cocido que pueda.

**PASO 03** Vuelva a sazonar con una capa muy fina de aceite.

### LOS BORDES DE LA SUPERFICIE DE LA PLANCHA NO SON NEGROS:

Después de usar su plancha para cocinar varias veces, el condimento se nivelará y mejorará.

### PREVENCIÓN DEL ÓXIDO

Use su plancha con frecuencia. Cada vez que cocina, está agregando condimentos, lo que hace que la oxidación sea menos probable.

### AVISO

Si vive en un clima húmedo o costero, su plancha puede requerir curaciones más frecuentes entre usos.

Si aparece óxido en la superficie de la plancha, frótelo con lana de acero, papel de lija de grano bajo o Blackstone Pumice Stone y vuelva a secar la superficie.



### VIDEOTUTORIAL

Recuperación de la tapa de su plancha Blackstone  
[youtube.com/watch?v=thPE2lgnSil](https://www.youtube.com/watch?v=thPE2lgnSil)

## COCINAR EN TU BLACKSTONE

### ⚠ ATENCIÓN

Este aparato estará caliente durante y después de su uso. Utilice utensilios de mango largo y manoplas/guantes protectores cuando manipule piezas potencialmente calientes para protegerse contra quemaduras y salpicaduras.

### ⚠ ATENCIÓN

Si el aparato está equipado con un soporte para toallas de papel, el brazo debe estar en la posición abierta mientras el aparato está en uso.

### AVISO

No guarde ningún artículo a menos de 8 cm (3 pulgadas) de la superficie de cocción mientras está en uso.

### SI GOTEA GRASA U OTRO MATERIAL CALIENTE SOBRE LA VÁLVULA, LA MANGUERA O EL REGULADOR:

**PASO 01** Cierre el suministro de gas inmediatamente.

**PASO 02** Determine la causa y corríjala.

**PASO 03** Limpie e inspeccione la válvula, la manguera y el regulador.

**PASO 04** Realice una prueba de fugas. (Consulte las instrucciones de prueba de fugas)

## VÍDEO RECETAS

Encuentre recetas y consejos de cocina en:

[BlackstoneProducts.com/recipes](https://www.blackstoneproducts.com/recipes)

[youtube.com/BlackstoneGriddles](https://www.youtube.com/BlackstoneGriddles)

[facebook.com/blackstoneproducts](https://www.facebook.com/blackstoneproducts)



**TORTITAS DE FRESAS Y CREMA**  
Desayuno

**HAMBURGUESA DE CEBOLLA FRITA DE OKLAHOMA**  
Almuerzo



**TACOS BORRACHOS**  
Cena

## LIMPIEZA DE LA PARTE SUPERIOR DE SU PLANCHA

Limpie la parte superior de la plancha después de cada uso, mientras aún esté caliente.

• NO USE jabón en la parte superior de la plancha. Esto destruirá el condimento de la plancha.



### VIDEOTUTORIAL

HCómo limpiar su plancha Blackstone

[youtube.com/watch?v=-ledu9z6NPY](https://www.youtube.com/watch?v=-ledu9z6NPY)

**PASO 01** Empuje los restos de comida sueltos en el recipiente para la grasa con una espátula o un raspador de metal recto.



**PASO 02** Limpie la parte superior de la plancha con una toalla de papel.



**PASO 03** Aplique unas cuantas cucharadas de agua a la superficie de la plancha, luego raspe el agua y los residuos en el recipiente para la grasa. (Para los residuos de comida pegados, use un poco de sal gruesa).



**PASO 04** Limpie nuevamente con una toalla de papel y seque completamente.



**PASO 05** Aplique una fina capa de aceite de cocina para mantener la sazón y proteger la parte superior de la plancha.



## VACÍA TU VASO DE GRASA

El recipiente para la grasa debe retirarse y vaciarse después de cada uso.

### ⚠ ATENCIÓN

La taza de grasa estará caliente durante y después del uso. NO RETIRE la taza de grasa hasta que la plancha se haya enfriado por completo.



## CUIDADO Y MANTENIMIENTO

### ⚠ ADVERTENCIA

La acumulación de grasa puede provocar un incendio. Limpie cualquier parte del aparato que se caliente y experimente acumulación de grasa después de cada uso.

### ⚠ ATENCIÓN

Toda la limpieza y el mantenimiento deben llevarse a cabo cuando el aparato esté frío y todo esté APAGADO.

- NO USE una almohadilla abrasiva en áreas con gráficos.
- Si se usa un cepillo de cerdas para limpiar cualquiera de las superficies de cocción, asegúrese de que no queden cerdas sueltas en las superficies de cocción antes de cocinar.

#### **CUERPO DEL APARATO:**

Lave con agua jabonosa tibia y seque inmediatamente con un paño no abrasivo. (No permita que los agentes de limpieza descansen sobre ninguna superficie porosa durante un período de tiempo prolongado).

### **AVISO**

NO UTILICE Citrisol, limpiadores abrasivos o un limpiador concentrado en el aparato. Esto puede resultar en daños y fallas en las piezas.

ESPAÑOL

## ALMACENAMIENTO DE ELECTRODOMÉSTICOS

### ⚠ ADVERTENCIA

No mueva el aparato cuando esté en uso. Deje que el aparato se enfríe a 115°F (45°C) antes de moverlo o almacenarlo.

El almacenamiento de un electrodoméstico en el interior solo está permitido si el suministro de gas está desconectado y retirado del electrodoméstico.

#### **GUÍA DE AJUSTE DE LA CUBIERTA**

Siempre cubra su electrodoméstico cuando lo guarde al aire libre.



Para encontrar una cubierta que se ajuste a su electrodoméstico, visite [BlackstoneProducts.com/support](https://BlackstoneProducts.com/support).

# SOLUCIÓN DE PROBLEMAS

## SOLUCIÓN DE PROBLEMAS DE ENCENDIDO

### EL QUEMADOR NO SE ENCIENDE:

Si NO SE enciende en 5 segundos:

**PASO 01** Apague la perilla de control del quemador.

**PASO 02** Espere 5 minutos.

**PASO 03** Repita el procedimiento de encendido.

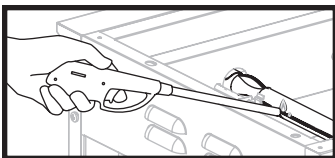
Si esto no funciona, para determinar la causa, intente encender su aparato con una cerilla.

### INSTRUCCIONES PARA ENCENDER FÓSFOROS

Antes de comenzar, compruebe si hay fugas de gas. Abra el capó (si corresponde).

**PASO 01** Gire la perilla de control a la posición APAGADO.

**PASO 02** Encienda un fósforo (o un encendedor largo) de no menos de 11 pulgadas de largo.



**PASO 03** Coloque la llama en el lado derecho o izquierdo del quemador.

**PASO 04** Presione y gire la perilla de control para que empiece a fluir el gas. Asegúrese de que el quemador se encienda y permanezca encendido.

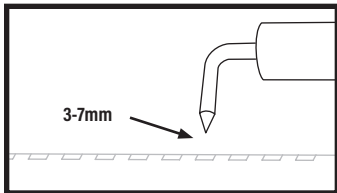
### SI PUEDE ENCENDER SU ELECTRODOMÉSTICO CON UN FÓSFORO:

#### POSIBLES CAUSAS

Cable de encendido desalineado.

#### SOLUCIÓN

Asegúrese de que la aguja del encendedor esté colocada entre 3 a 7 mm del quemador y alineada con los orificios del quemador.

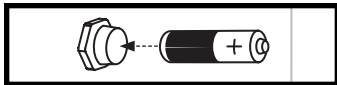


Daños en el sistema de encendido.

Póngase en contacto con el servicio de atención al cliente para obtener piezas de repuesto.

Batería agotada o mal instalada.

Reemplácela con una batería nueva.



### SI NO PUEDE ENCENDER SU APARATO CON UN FÓSFORO:

#### POSIBLES CAUSAS

Los tubos de los quemadores no reciben combustible.

#### SOLUCIÓN

Limpiar el conjunto del quemador para eliminar la obstrucción.

## SOLUCIÓN DE PROBLEMAS DE FLUJO DE GAS

### LAS LLAMAS DEL QUEMADOR SON AMARILLAS O IRREGULARES:

- El aparato no alcanzará una temperatura alta o calentará de manera desigual.
- Las llamas del quemador comienzan con fuerza, luego bajan inmediatamente a nivel bajo incluso cuando el quemador está en la posición alta.
- La altura de la llama desciende cuando se enciende un segundo quemador.
- Las llamas NO SE extienden por toda la longitud del quemador, o solo corren por un lado del quemador.
- Las llamas del quemador son inconsistentes.

#### POSIBLES CAUSAS

Obstrucciones en el quemador, chorros de gas o riel de combustible.

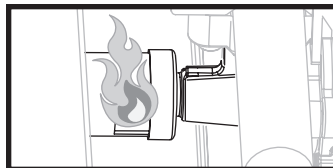
#### SOLUCIÓN

Limpiar el quemador, los surtidores y la manguera de gas.

El cilindro de gas está vacío o bajo.

Rellene o reemplace el cilindro de gas.

### UNA LLAMA SALE DE LA PUERTA DE AIRE:



#### POSIBLES CAUSAS

Algo está bloqueando el venturi en el tubo del quemador.

#### SOLUCIÓN

Limpiar el conjunto del quemador para eliminar la obstrucción.



## LIMPIEZA DEL CONJUNTO DEL QUEMADOR

Para reducir la posibilidad de "retroceso de llama", se debe seguir el procedimiento a continuación al menos una vez al mes cuando las arañas están más activas o cuando su electrodoméstico NO SE ha utilizado durante un período de tiempo.



### VIDEOTUTORIAL

Cómo limpiar el tubo de su quemador

▶ [youtube.com/watch?v=xKQTCrFCzf8](https://www.youtube.com/watch?v=xKQTCrFCzf8)

**PASO 01** Separe el conjunto del regulador del cilindro de GLP girando la tuerca de acoplamiento rápido en el sentido de las agujas del reloj.

- Retire la parte superior de la plancha.
- Retire el quemador tirando del clip del quemador. Utilice un destornillador o unos alicates de punta fina.

**PASO 02** Levante con cuidado el quemador y sepárelo del orificio de la válvula de gas.

**PASO 03** Limpie el interior del quemador:

- Pase un cepillo para botellas (no un cepillo de alambre) o un alambre rígido doblado en un pequeño gancho a través de cada tubo del quemador varias veces.
- Use aire comprimido para soplar a través del tubo del quemador y sacar los puertos del quemador (Use protección para los ojos).



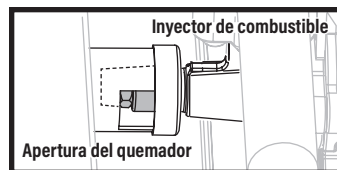
**PASO 04** Cepille toda la superficie exterior del quemador para eliminar la suciedad.



**PASO 05** Limpie los puertos bloqueados con un alambre rígido, como un sujetapapeles abierto.



**PASO 06** Vuelva a colocar con cuidado los quemadores y vuelva a colocarlos, prestando atención a la ubicación de la aguja de encendido.



⚠ La boquilla de combustible del riel de gas debe volver a conectarse dentro de la abertura del quemador.

## ATENCIÓN AL CLIENTE

Para todas las preguntas, consultas o atención al cliente, comuníquese con:

**Griddle Masters Europe ApS**  
**Blackstone Europe**  
 Tel. +45 2424 7709  
 Nordre Strandvej 119, 3150 Hellebæk  
 Denmark  
[www.blackstone-europe.com](http://www.blackstone-europe.com)

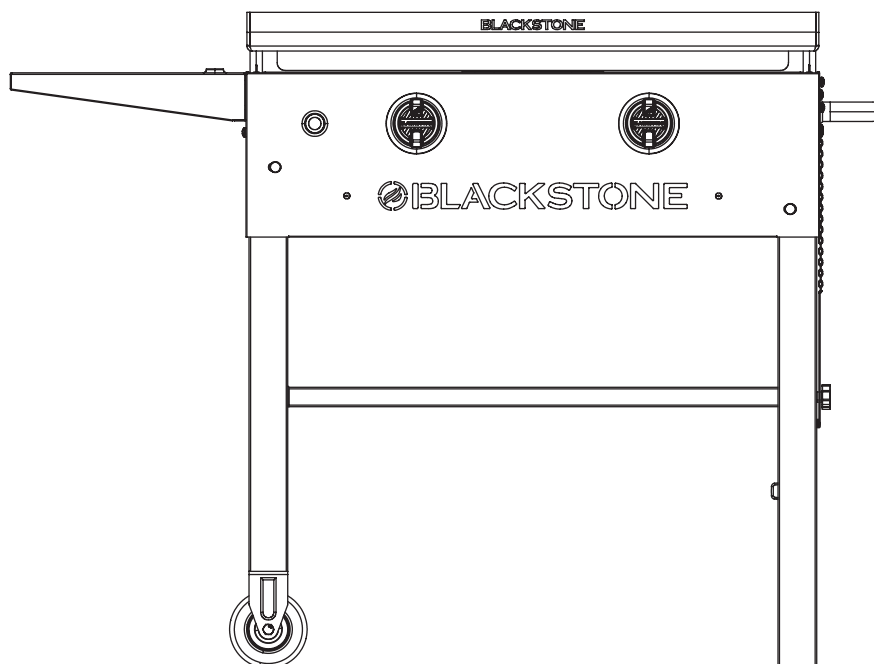


Este producto puede estar cubierto por una o más patentes estadounidenses y/o internacionales emitidas y puede incluir solicitudes de patentes pendientes.

Para obtener más información, visite: [BlackstoneProducts.com/patents](https://BlackstoneProducts.com/patents)

FABRICANTE: NORTH ATLANTIC IMPORTS, LLC 1073 W 1700 N LOGAN, UT 84321 EE. UU. | BLACKSTONE EST ES UNA MARCA REGISTRADA DE NORTH ATLANTIC IMPORTS, LLC  
IMPORTADO POR GRIDDLE MASTERS, NORDRE STRANDVEJ 119, 3150 HELLEBAEK, DENMARK





MANUALE DEL PROPRIETARIO | ISTRUZIONI DI MONTAGGIO PER APPARECCHIO A GAS DA ESTERNO

# 28" PIASTRA

## SOMMARIO

IMPORTANTI INFORMAZIONI SULLA SICUREZZA .....	02
GARANZIA .....	03
GUIDA AL MONTAGGIO .....	04
USANDO LA TUA BLACKSTONE .....	08
RISOLUZIONE DEI PROBLEMI .....	14

### IMPORTANTE:

Utilizzare solo all'aperto.

Leggere le istruzioni prima di utilizzare l'apparecchio.

Conservare questo manuale per future consultazioni.

In caso di domande relative al montaggio o al funzionamento, consultare il proprio rivenditore o la GPL Gas Company.

### CHIAVE DI AVVISO DI SICUREZZA

#### ⚠ PERICOLO

Indica una situazione pericolosa che, se non evitata, provocherà morte o lesioni gravi.

#### ⚠ AVVERTENZA

Indica una situazione pericolosa che, se non evitata, potrebbe provocare morte o lesioni gravi.

#### ⚠ ATTENZIONE

Indica una situazione pericolosa che, se non evitata, potrebbe causare lesioni lievi o moderate.

#### AVVISO

Indica informazioni considerate importanti, ma non correlate a pericoli (ad es. messaggi relativi a danni materiali).

# IMPORTANTI INFORMAZIONI SULLA SICUREZZA

## PER LA TUA SICUREZZA

- Se senti odore di gas:
1. Chiudere l'alimentazione del gas alla bombola del gas.
  2. Estinguere tutte le fiamme libere; non azionare apparecchi elettrici.
  3. Ventilare l'area.
  4. Verificare la presenza di perdite come descritto in questo manuale.
  5. Se l'odore persiste, contattare immediatamente il proprio rivenditore o fornitore di gas.

## PRECAUZIONI



1. Verificare la tenuta di tutte le connessioni dopo ogni ricarica del serbatoio.
2. Non controllare mai eventuali perdite con una fiamma libera, utilizzare sempre una soluzione di acqua saponata.
3. Non conservare o utilizzare benzina o altri vapori e liquidi infiammabili nelle vicinanze di questo apparecchio.
4. Qualsiasi bombola di gas non collegata per l'uso non deve essere conservata in prossimità di questo o di qualsiasi altro apparecchio.



**SE LE ISTRUZIONI VENGONO IGNORATE, POSSONO PROVOCARSI PERICOLOSI INCENDI O ESPLOSIONI.**

È responsabilità del consumatore assicurarsi che l'apparecchio sia correttamente assemblato, installato e curato. La mancata osservanza delle istruzioni contenute nel presente manuale potrebbe causare lesioni e/o danni materiali.

ITALIANO

<b>MODELLO/TIPO N.</b>	2145EU			  2531-23      8504-23
<b>APPORTO TERMICO:</b>	2 x 5.0 kW	<b>TOTALE:</b>	10.0 kW (7271 g/h)	
<b>CATEGORIA GAS:</b>	<b>I3+(28~30/ 37)</b>		<b>I3B/P(30)</b>	<b>I3B/P(50)</b>
<b>TIPI DI GAS:</b>	Butano (G30)	Propano (G31)	G30, G31 o loro miscele	G30, G31 o loro miscele
<b>PRESSIONE DEL GAS:</b>	(28-30) mbar	37mbar	(28-30) mbar	50 mbar
<b>CODICE PIN:</b>	<b>CE:</b> 2531DN-0117		<b>UKCA:</b> 8504DO-0003	<b>UKCA:</b> 8504DO-0003
	BE, FR, IT, LU, IE, GB, GR, PT, ES, CY, CZ, LT, CH, SI, LV, TR		LU, NL, DK, FI, SE, CY, CZ, EE, LT, MT, SK, SI, BG, IS, NO, HR, RO, IT, HU, LV, GR	DE, AT, CH, SK
<b>Utilizzare solo all'aperto.</b>				
<b>Leggere le istruzioni prima di utilizzare l'apparecchio.</b>				
<b>⚠ AVVERTENZA: le parti accessibili possono essere molto calde. Tenere lontani i bambini piccoli.</b>				
<b>Questo apparecchio deve essere tenuto lontano da materiali infiammabili durante l'uso.</b>				
<b>Non spostare l'apparecchio durante l'uso.</b>				
<b>Spegnere l'alimentazione del gas alla bombola del gas dopo l'uso.</b>				
<b>Non modificare l'apparecchio.</b>				

### REQUISITI DEL REGOLATORE E DEL TUBO FLESSIBILE

- Utilizzare solo erogatori e tubi flessibili approvati per GPL alle pressioni sopra indicate. Il tubo utilizzato deve essere conforme allo standard pertinente per il paese di utilizzo.
- Utilizzare un regolatore adatto certificato BSEN 12864 o EN 16129. Assicurarsi che il regolatore e il tubo flessibile siano conformi alla normativa locale.
- La lunghezza del tubo flessibile non deve superare 1,5 m. In Finlandia, la lunghezza non deve superare 1,2 m. Il tubo deve essere certificato secondo lo standard EN applicabile e conforme al codice locale.

Si prega di consultare il proprio rivenditore di GPL per informazioni su un regolatore adatto per la bombola del gas.

### ⚠ AVVERTENZA

L'uso del regolatore o del tubo sbagliato non è sicuro; controllare sempre di avere gli articoli corretti prima di utilizzare l'apparecchio.

Questo apparecchio è idoneo esclusivamente all'utilizzo con miscele di gas butano o propano o GPL a bassa pressione, muniti di apposito regolatore di bassa pressione tramite tubo flessibile.

L'aspettativa di vita del regolatore e del tubo flessibile è stimata in 2 anni.



# GARANZIA

## PANORAMICA DELLA GARANZIA

North Atlantic Imports, il produttore, garantirà per un anno dall'acquisto tutte le parti, la lavorazione e le finiture. Sarà facoltà del produttore decidere se riparare o sostituire uno qualsiasi degli elementi di cui sopra. Tutte le garanzie sono limitate al solo acquirente originale. Questa garanzia non copre alcuna responsabilità da parte di North Atlantic Imports, dei suoi agenti o dipendenti, per qualsiasi danno indiretto o consequenziale per violazione della garanzia. L'acquirente deve seguire le istruzioni d'uso del produttore.

In nessun caso il produttore è responsabile per danni derivanti dal mancato corretto funzionamento della stazione di cottura. È responsabilità dell'acquirente stabilire il periodo di garanzia verificando la data di acquisto originale con la ricevuta di vendita originale.

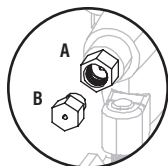
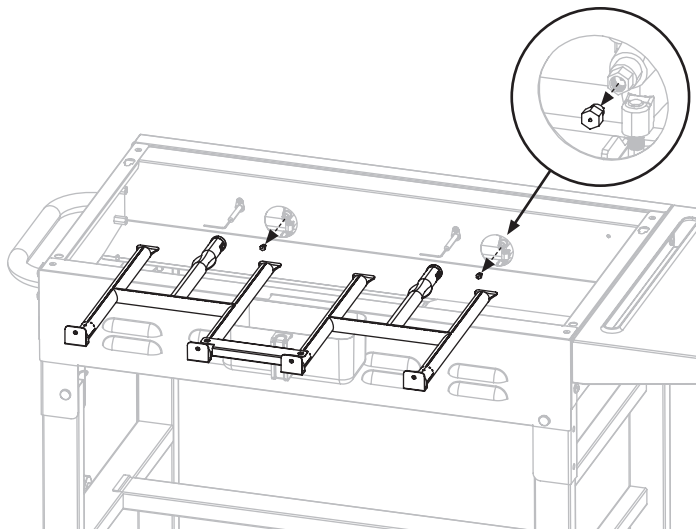
## MODIFICA DELLA PRESSIONE ACCETTABILE

- Le parti sigillate dal produttore o dal suo agente non devono essere modificate dall'utente.
- Non apportare modifiche a nessuna parte di questo apparecchio.
- Le riparazioni e la manutenzione devono essere eseguite solo da un tecnico dell'assistenza registrato.

## CHIEDI A UN PROFESSIONISTA DI APPORTARE QUESTE MODIFICHE.

**PASSO 01** Rimuovere le viti per staccare i bruciatori.

**PASSO 02** Rimuovere gli ugelli carburante (B) per i paesi a bassa pressione. (28-30mbar) (L'ugello è filettato a sinistra.)



## DIMENSIONE DELL'UGELLO (ORIFIZIO)

- (A) 29mbar (1.08 mm)  
(B) 50mbar (1.10 mm)

## SPIEGAZIONE DETTAGLIATA DELLA GARANZIA

North Atlantic Imports LLC garantisce al proprietario che il prodotto oggetto del presente accordo è privo di difetti di materiale e lavorazione in condizioni di utilizzo e servizio normali per i quali era destinato se, ma solo se, è stato utilizzato in conformità con North Atlantic Imports LLC istruzioni esclusivamente per uso domestico, e non per club privati o pubblici, scopi istituzionali o commerciali.

L'obbligo di North Atlantic Imports LLC ai sensi della presente garanzia è limitato alla sostituzione o alla riparazione gratuita di qualsiasi parte o parte che possa rivelarsi, a soddisfazione di North Atlantic Imports LLC, difettosa in condizioni di normale utilizzo domestico e servizio entro i seguenti periodi indicati di tempo dalla data di acquisto; per un anno dall'acquisto, tutte le parti, la finitura e la lavorazione. In caso di mancato rispetto della presente garanzia durante i periodi di garanzia applicabili sopra indicati, l'acquirente originale deve notificare a North Atlantic Imports LLC la violazione della garanzia entro il periodo di garanzia applicabile.

North Atlantic Imports LLC, previa comunicazione e rispetto da parte dell'acquirente originale di tali istruzioni, correggerà tale non conformità mediante riparazione o sostituzione della parte o delle parti difettose.

La correzione nel modo sopra indicato costituirà un adempimento di tutti gli obblighi di North Atlantic Imports LLC per quanto riguarda la qualità del prodotto.

North Atlantic Imports LLC non garantisce che questa apparecchiatura soddisfi i requisiti di alcun codice di sicurezza di qualsiasi stato, comune o altra giurisdizione e l'acquirente originale si assume tutti i rischi e le responsabilità derivanti dall'uso della stessa, se utilizzata in conformità con le importazioni del Nord Atlantico istruzioni LLC o altro.

Questa garanzia non copre e intende escludere qualsiasi responsabilità da parte di North Atlantic dei suoi agenti, dipendenti o dipendenti sia ai sensi della presente garanzia o implicita per legge per qualsiasi danno indiretto o consequenziale per violazione di qualsiasi garanzia. L'acquirente deve stabilire tutti i periodi di garanzia applicabili ai sensi della presente garanzia verificando la data di acquisto originale mediante la produzione della ricevuta di vendita datata. Questa garanzia non si applica a questo prodotto o qualsiasi altra sua parte che sia stata soggetta a incidente, negligenza, alterazione, abuso o uso improprio o che sia stata riparata o alterata senza il consenso scritto di North Atlantic, al di fuori della fabbrica di North Atlantic Imports LLC. La garanzia completa del produttore non è valida per le piastre acquistate da rivenditori di terze parti senza licenza, acquistate con uno sconto a causa di parti mancanti o danneggiate o acquistate come modello da pavimento; a discrezione di North Atlantic Imports.

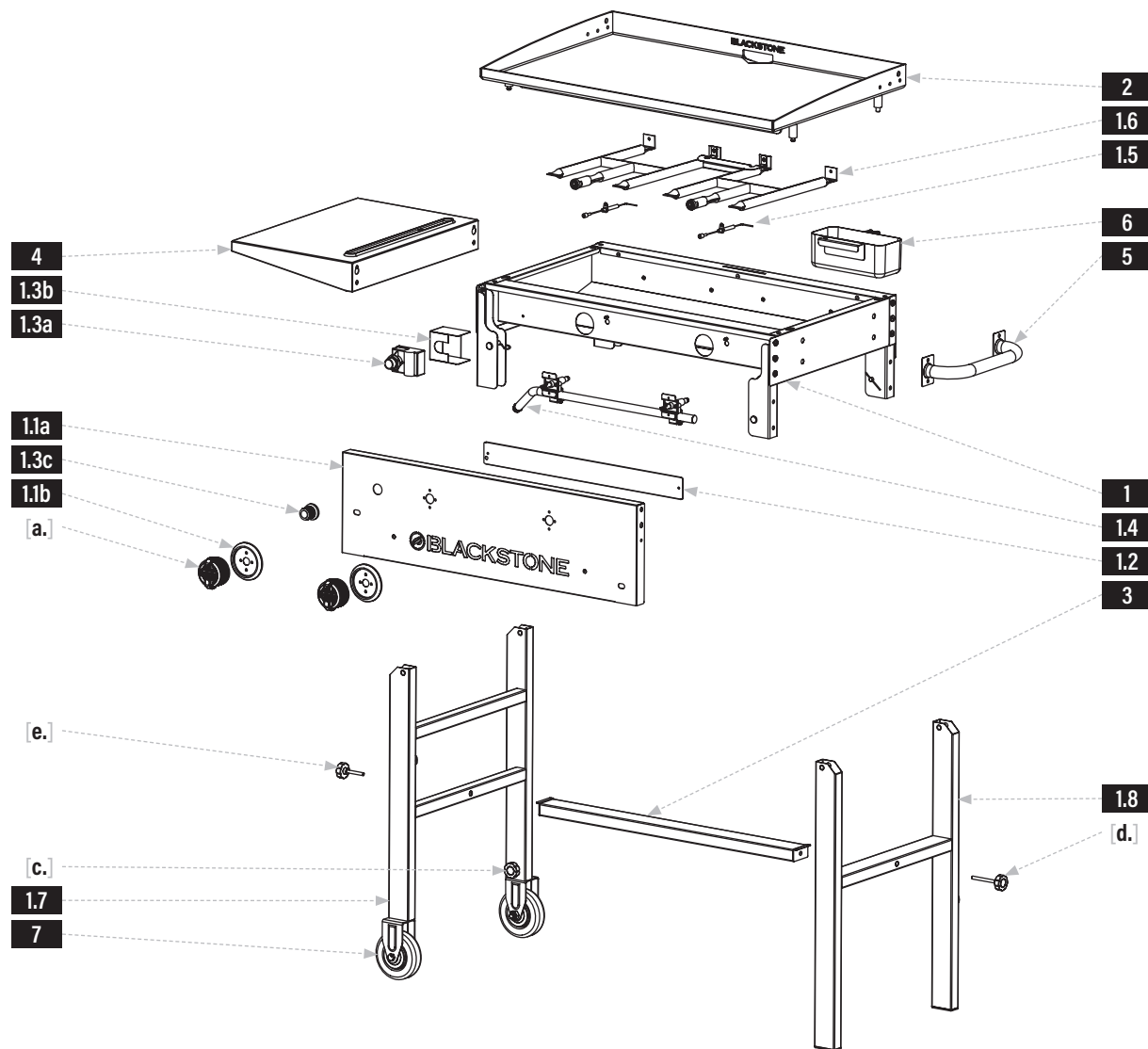
North Atlantic Imports LLC non fornisce alcuna garanzia in relazione ad accessori o parti non fornite con esso. Questa garanzia si applica solo entro i confini dell'Europa. Questa garanzia conferisce all'acquirente originale diritti specifici e l'acquirente originale può avere anche altri diritti, che variano da stato a stato.

## ATTIVA LA TUA GARANZIA

Registra il tuo prodotto su:  
[blackstone-europe.com/pages/product-registration](https://blackstone-europe.com/pages/product-registration)

# GUIDA AL MONTAGGIO

## VISTA ESPLOSA



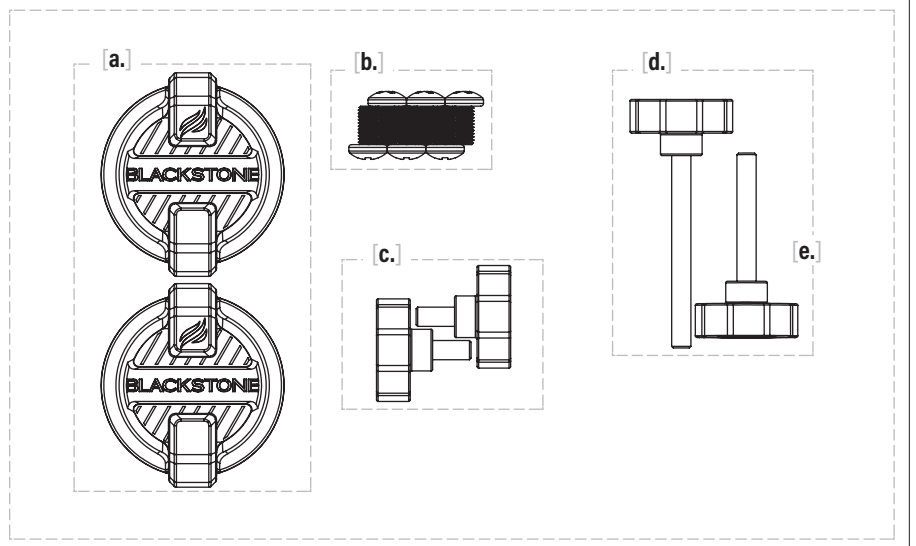
### ELENCO DELLE PARTI

PARTI	#
<b>1.1a</b> Pannello di controllo	1
<b>1.1b</b> Cornici delle manopole di controllo	2
<b>1.2</b> Pannello di sfondo	1
<b>1.3a</b> Accenditore	1
<b>1.3b</b> Scudo termico	1
<b>1.3c</b> Pulsante di accensione	1
<b>1.4</b> Ferrovia del gas	1
<b>1.5</b> Aghi di accensione	2
<b>1.6</b> Bruciatori H	2
<b>1.7</b> Montaggio della gamba sinistra	1
<b>1.8</b> Montaggio della gamba destra	1

<b>1</b> Corpo (1 pezzo) 	<b>2</b> Piastra superiore (1 pezzo) 
<b>3</b> Tutore per le gambe (1 pezzo) 	<b>4</b> Ripiano laterale (1 pezzo) 
<b>5</b> Manico laterale (1 pezzo) 	<b>6</b> Coppa del grasso (1 pezzo) 
<b>7</b> Ruote (2 pezzi) 	<b>8</b> Portagomma (1 pezzo) 



- 9** Confezione hardware (1 pezzo)  
**a.** Manopole di controllo (2 pezzi)  
**b.** Viti M6x12 (2 pezzi)  
 Ricambi (4 pezzi)  
**c.** Piccole viti ad alette (2 pezzi)  
**d.** Vite ad alette grande (1 pezzo)  
**e.** Vite a testa zigrinata media (1 pezzo)



## ISTRUZIONI DI MONTAGGIO

Trova un'area ampia e pulita per assemblare il tuo elettrodomestico.  
 Rimuovere tutto il materiale di imballaggio prima del montaggio.

### ⚠ ATTENZIONE

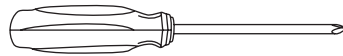
Bordi taglienti. Indossare guanti durante il montaggio.

### ⚠ ATTENZIONE

Pezzi pesanti. Due persone dovrebbero assemblare questo apparecchio.



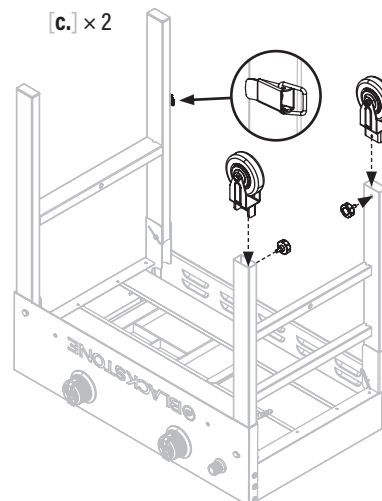
**NON INCLUSO:**  
 Batteria AA



**STRUMENTO NECESSARIO:**  
 # 3 Cacciavite a croce

**PASSO 01** Con l'aiuto di un'altra persona, estrarre il corpo della piastra dall'imballo e appoggiarlo capovolto su una superficie piana e liscia.

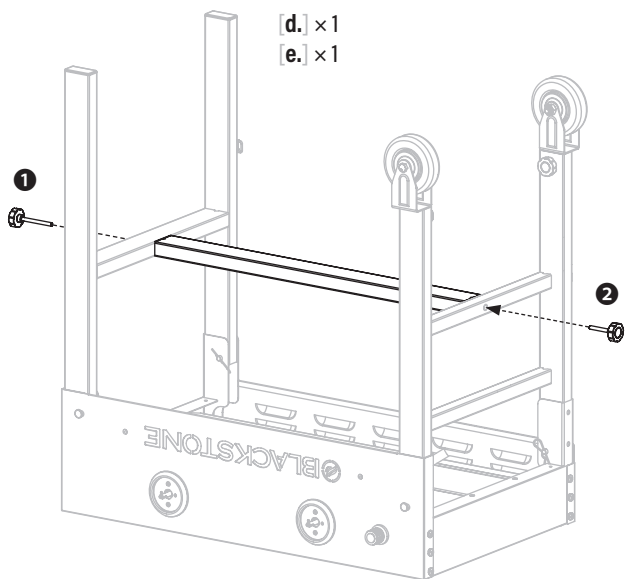
Sbloccare e aprire le gambe in posizione verticale, quindi utilizzare due (2) piccole viti a testa zigrinata [c.] per fissare le due (2) ruote alle estremità del gruppo della gamba sinistra.



**PASSO 02** 1 Utilizzare una (1) vite a testa zigrinata grande [d.] per fissare il supporto per la gamba al gruppo della gamba destra.

2 Utilizzare una (1) vite a testa zigrinata media [e.] per fissare il supporto per la gamba al gruppo della gamba sinistra.

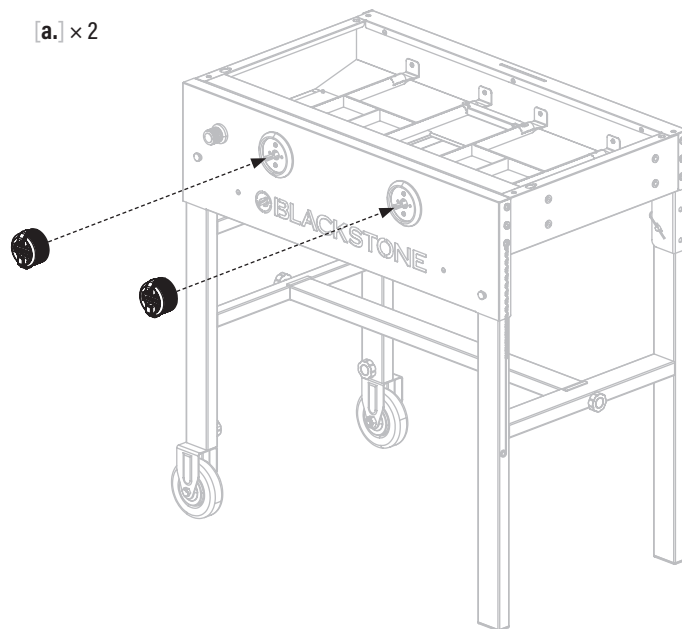
**Nota:** questo tutore è parte integrante della stabilità dell'apparecchio durante l'uso.



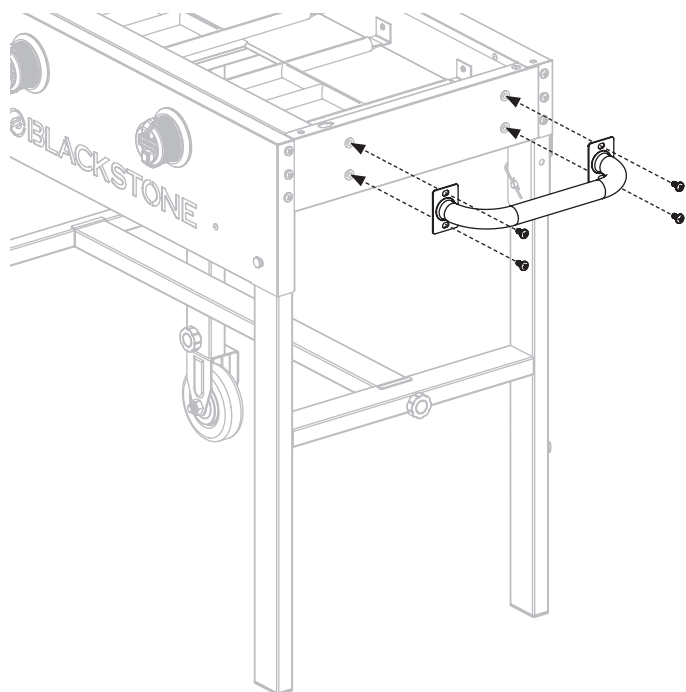
**PASSO 03** Con l'aiuto di un'altra persona, prendi il corpo della piastra e posizionalo sulle ruote.

Installare le due (2) manopole di controllo [a.] spingendole in posizione nella posizione OFF.

[a.] × 2



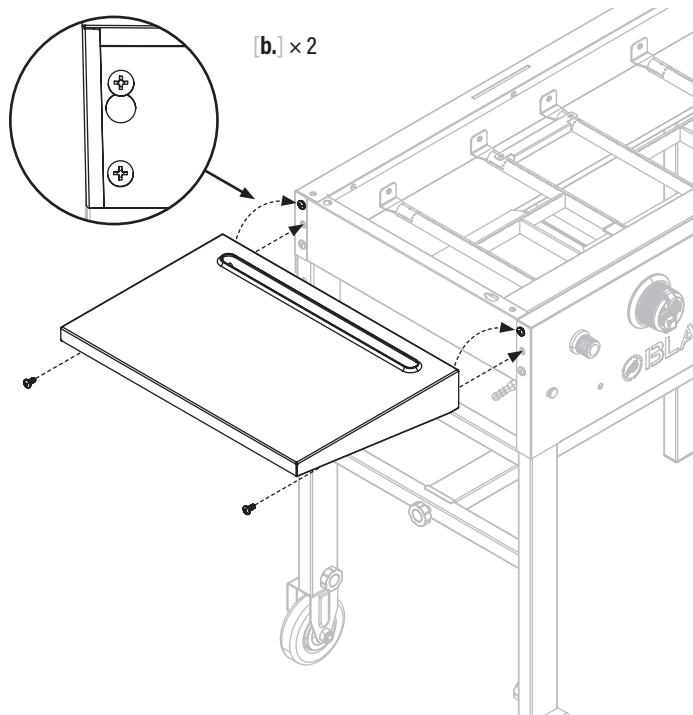
**PASSO 04** Utilizzare le quattro (4) viti preinstallate sul lato destro del corpo della piastra per fissare la maniglia laterale al corpo della piastra.



**PASSO 05** Allentare le due (2) viti M6x12 sul lato sinistro del corpo della piastra.

Agganciare un (1) ripiano laterale a queste viti e utilizzare due (2) viti M6x12 [b.] per fissare il ripiano laterale al lato sinistro del corpo della piastra. Serrare tutte e quattro le viti.

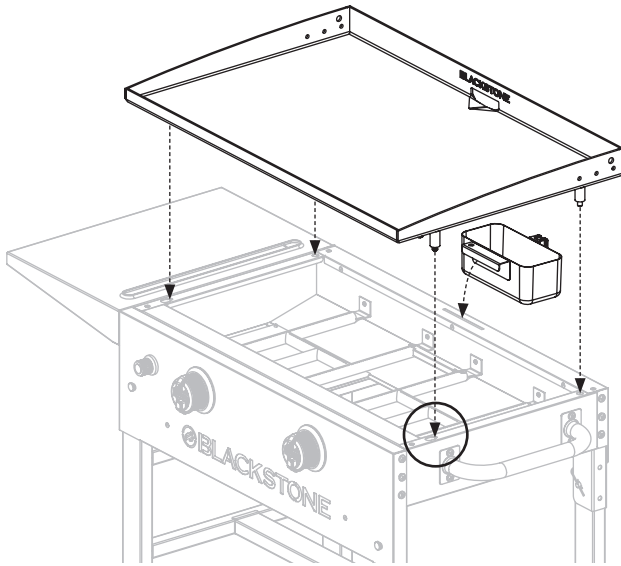
[b.] × 2



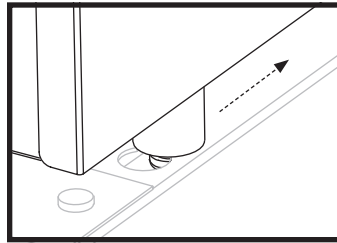


**PASSO 06** Appendere la coppa del grasso nella fessura sul retro del corpo della piastra.

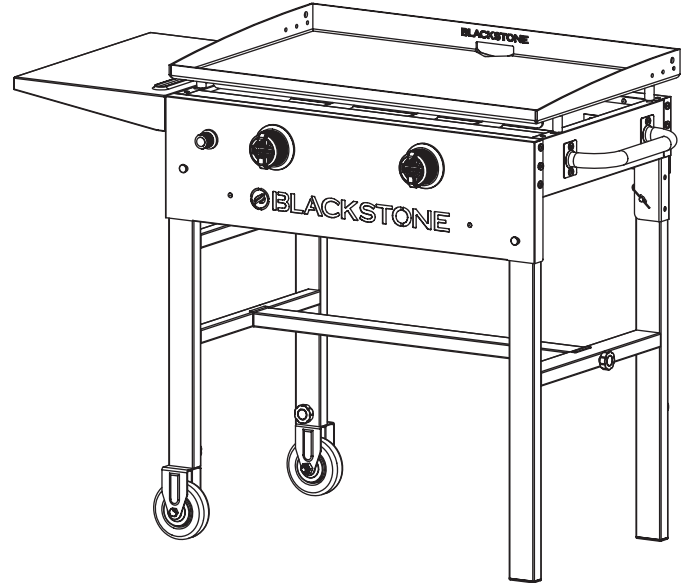
Con l'aiuto di un'altra persona, posizionare la piastra superiore sul corpo principale allineando i 4 perni ai fori del corpo.



Assicurarsi che i perni anteriori siano inseriti nei fori, quindi spingere indietro la parte superiore della piastra.



**PASSO 07** Procedi con **USANDO LA TUA BLACKSTONE.**



#### ⚠ ATTENZIONE

La maniglia si surriscalda mentre l'apparecchio è in uso.  
Non toccare la maniglia mentre l'apparecchio è caldo.

#### AVVISO

- Il peso massimo sul ripiano laterale è di 4,5 kg (10 libbre).
- Il ripiano laterale potrebbe surriscaldarsi mentre l'apparecchio è in uso.

# USANDO LA TUA BLACKSTONE

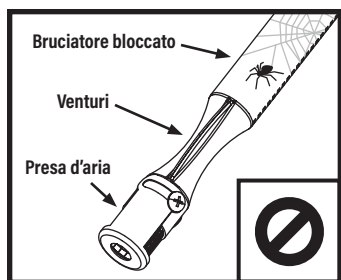
## PRIMA DELLA COTTURA

### CONTROLLARE I BRUCIATORI

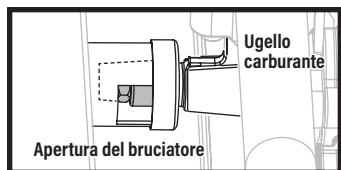
Prima del collegamento e dell'uso, assicurarsi che non vi siano detriti intrappolati o danni alla testa della bombola del gas, al regolatore, al tubo flessibile, al bruciatore e alle porte del bruciatore.

Ragni e insetti possono annidarsi all'interno e ostruire il bruciatore/tubo Venturi all'orifizio.

Fare riferimento al capitolo Risoluzione dei problemi per le istruzioni sulla pulizia del bruciatore.



**AVVERTENZA**  
 Un bruciatore intasato può provocare un incendio sotto l'apparecchio. Il bruciatore deve essere rimosso e pulito ogni volta che si riscontrano blocchi.



⚠ Accertarsi che l'orifizio dell'ugello del combustibile della rotaia del gas sia inserito correttamente all'interno dell'apertura del bruciatore.

**PERICOLO**  
 Gli oggetti infiammabili possono prendere fuoco se posizionati vicino all'apparecchio. Mantenere l'area dell'apparecchio sgombra e libera da materiali combustibili, contenitori aerosol, benzina e altri vapori e liquidi infiammabili.

LA TEMPERATURA AMBIENTE MINIMA DI FUNZIONAMENTO È 0°F (-18°C).

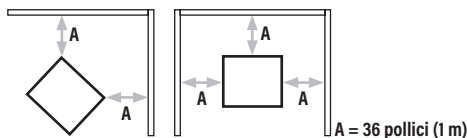
### ALLESTIMENTO DEL TUO SPAZIO ESTERNO

**QUESTO APPARECCHIO DEVE ESSERE UTILIZZATO SOLO ALL'APERTO.**

- Non utilizzare questo apparecchio all'interno di edifici, garage o qualsiasi altra area chiusa.
- Non installare questo apparecchio in o su una barca.
- Non installare questo apparecchio all'interno o su un veicolo ricreativo.

### MANTENERE UNA DISTANZA ADEGUATA DAL MATERIE COMBUSTIBILE:

- Non utilizzare questo apparecchio sopra o sotto qualsiasi appartamento o balcone o terrazzo condominiale.
- Non ostruire il flusso dell'aria comburente e di ventilazione.
- Non utilizzare questo apparecchio a meno di 36 pollici (1 m) dai lati e dal retro dell'apparecchio.



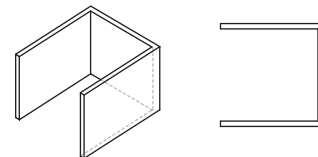
- Non utilizzare questo apparecchio sotto costruzioni combustibili sopraelevate.

### AREE ESTERNE RIPARATE:

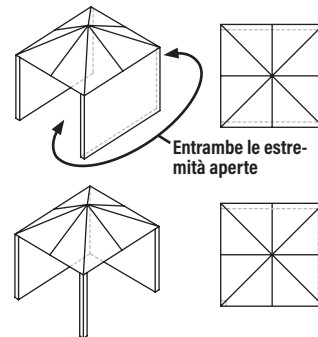
Tutte le aperture devono essere permanentemente aperte; porte scorrevoli, porte da garage, finestre o aperture schermate non sono considerate aperture permanenti.

Un apparecchio è considerato all'aperto se installato con riparo non più inclusivo di:

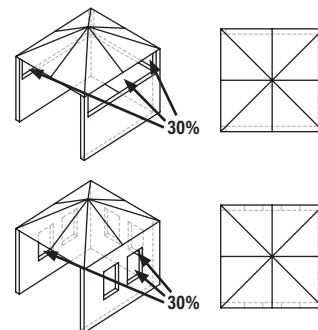
- a. Con pareti su tre lati, ma senza copertura sopraelevata.



- b. All'interno di un recinto parziale che comprende una copertura sopraelevata e non più di due pareti laterali. Le pareti laterali possono essere parallele, come in una brezza, o ad angolo retto l'una rispetto all'altra.



- c. All'interno di un recinto parziale che comprende una copertura sopraelevata e tre pareti laterali, purché il 30% o più della periferia orizzontale del recinto sia permanentemente aperto.



ITALIANO





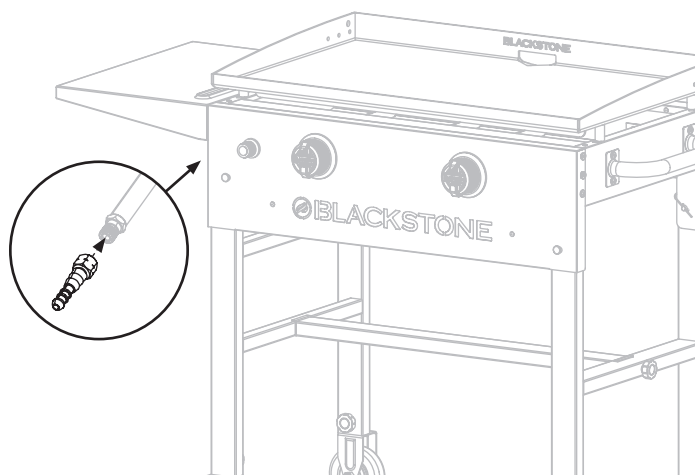
# FISSAGGIO DEL CILINDRO DEL CARBURANTE

## ATTACCARE IL REGOLATORE

**PASSO 01** Il regolatore e il tubo devono essere collegati correttamente all'apparecchio. È necessario utilizzare una chiave per serrare il dado sulla filettatura di collegamento.

Se si utilizza una fascetta per carburante, collegare la punta del tubo flessibile alla rotaia del gas.

(Barb è il filo della mano sinistra.)



**PASSO 02** Se il tubo flessibile viene sostituito, deve essere fissato all'apparecchio e ai collegamenti del regolatore con fascette stringitubo.

### EVITARE DI TORCERE IL TUBO FLESSIBILE QUANDO L'APPARECCHIO È IN USO.

- Accertarsi che il tubo non sia ostruito, piegato o in contatto con parti dell'apparecchio diverse dalla sua connessione.
- Il tubo usurato o danneggiato deve essere sostituito.
- Controllare l'O-ring di gomma sull'estremità del regolatore del gruppo flessibile almeno una volta all'anno. Se appare usurato o rotto, fallo sostituire.
- Scollegare il regolatore dalla bombola (secondo le istruzioni fornite con il regolatore) quando l'apparecchio non è in uso.

## ISTRUZIONI PER IL TEST DELLE PERDITE

**PASSO 01** Prepara 2-3 once fluide di soluzione per il rilevamento delle perdite mescolando una parte di detersivo per piatti con 3 parti di acqua.

**PASSO 02** Chiudere l'alimentazione del gas alla valvola della bombola del gas.

**PASSO 03** Assicurarsi che la valvola di controllo sia "OFF".

**PASSO 04** Collegare il regolatore alla bombola e la valvola ON/OFF al bruciatore, assicurarsi che i collegamenti siano saldi, quindi accendere il gas.

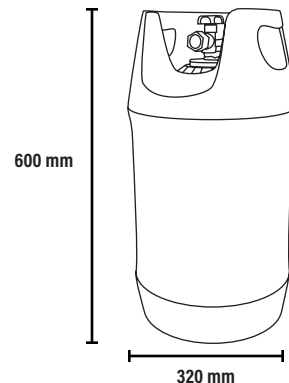
**PASSO 05** Spazzolare l'acqua saponata sul tubo e su tutte le giunture. Se compaiono bolle, hai una perdita, che deve essere corretta prima dell'uso. Ripetere il test dopo aver risolto l'errore.

**PASSO 06** Spegnerne l'alimentazione del gas al contenitore del gas dopo l'uso.

Se la perdita viene rilevata di nuovo e non può essere riparata, non tentare di rimediare alla perdita ma consultare il proprio rivenditore di gas.

### REQUISITI BOMBOLA GPL

- Il vostro apparecchio può essere utilizzato con bombole di gas tra 11 kg e 15 kg.
- La dimensione massima della bombola del gas dovrebbe essere: Dia. 320mm, Altezza: 600 mm (regolatore incluso).
- Seguire le informazioni tecniche come indicato nel manuale di istruzioni e verificare con il proprio fornitore di gas locale per avere una bombola di gas adatta per il proprio apparecchio.



### SICUREZZA DELLA BOMBOLA DEL GAS

- La bombola del gas non deve essere lasciata cadere o maneggiata in modo approssimativo.
- Se l'apparecchio non è in uso, la bombola deve essere scollegata.
- Riposizionare il tappo di protezione sulla bombola dopo aver scollegato la bombola dall'apparecchio.
- La bombola del gas deve essere posizionata all'esterno del corpo dell'apparecchio.
- Collegare o sostituire sempre la bombola in un'area ben ventilata e lontano da qualsiasi fonte di ignizione, mai in presenza di fiamme, scintille o fonti di calore.
- Le bombole devono essere conservate all'aperto in posizione verticale e fuori dalla portata dei bambini. La bombola non deve mai essere conservata dove la temperatura può superare i 50°C. Non conservare la bombola vicino a fiamme, fiamme pilota o altre fonti di accensione. **NON FUMARE.**
- Assicurarsi che il vano bombola del gas (se presente) non sia ostruito, mantenerlo aerato e pulito.
- Dovrai far revisionare o sostituire il cilindro ogni dieci anni. La data dell'ultimo servizio deve essere stampigliata sul collo della bottiglia.
- In caso di utilizzo a terra, posizionare sempre l'apparecchio e la bombola su un terreno piano.

# ISTRUZIONI DI ACCENSIONE

## 1. VALVOLE DI RITEGNO

**PASSO 01** Ruotare la manopola in posizione OFF.

**PASSO 02** Spingere la manopola e rilasciare. La manopola dovrebbe tornare indietro.

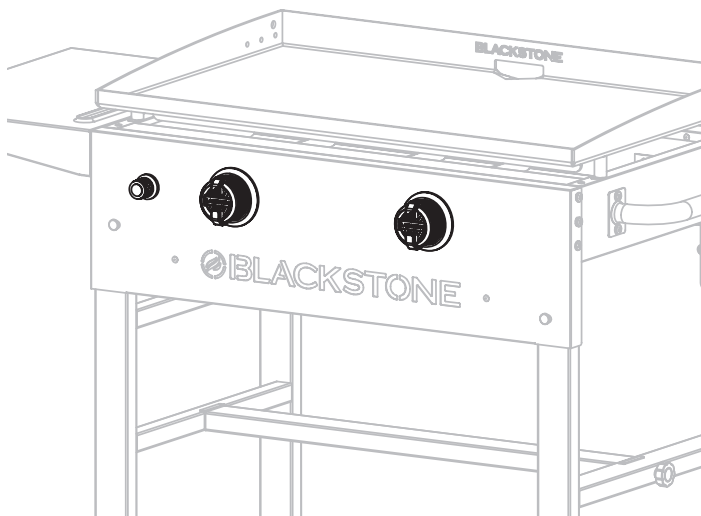
Se le manopole non tornano indietro, sostituire il gruppo valvola prima di utilizzare l'apparecchio.

**PASSO 03** Ruotare la manopola su LOW, quindi tornare su OFF. La manopola dovrebbe girare senza intoppi.

### ⚠ AVVERTENZA

Se il bruciatore non si accende con la valvola di alimentazione del gas aperta, il gas continuerà a fuoriuscire dal bruciatore e potrebbe accendersi accidentalmente/inavvertitamente con rischio di lesioni.

Assicurarsi che il gas sia chiuso sulla valvola di intercettazione dell'alimentazione prima di controllare le valvole dell'apparecchio.

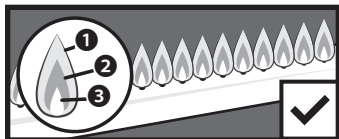


## 3. CONTROLLARE SEMPRE LA FIAMMA DEL BRUCIATORE PRIMA DELL'USO.

**PASSO 01** Accendere i bruciatori e ruotare le manopole da ALTO a BASSO.

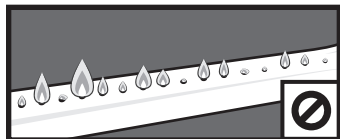
**PASSO 02** Guarda sotto la superficie di cottura per vedere i bruciatori. Quando la manopola è su ALTO, le fiamme dovrebbero essere più grandi rispetto a quando la manopola è su BASSO.

### SCHEMA DI FIAMMA SANO



- 1 Starfallio di colore giallo.  
2 Colore blu scuro. 3 Blu vibrante.

### GIALLO O IRREGOLARE

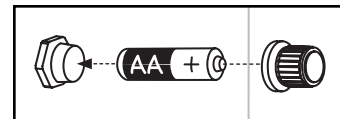


Se si verifica un calo improvviso o un problema di fiamma bassa, fare riferimento al capitolo Risoluzione dei problemi.

## 2. ACCENSIONE A BATTERIA

⚠ Non chinarsi sull'apparecchio durante l'accensione.

**PASSO 01** Inserire una (1) batteria AA (non inclusa) sotto il pulsante di accensione.



Avvitare il pulsante in posizione sopra il terminale positivo.

### PASSO 02

1 Ruotare la manopola di controllo su OFF.

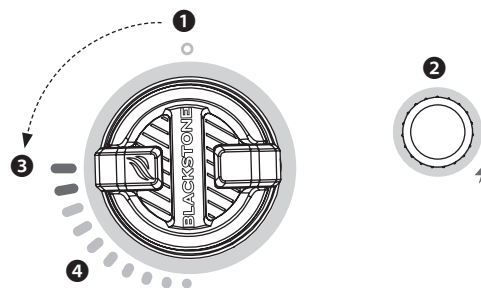
Aprire il gas ruotando il volantino della bombola del gas in senso antiorario da 1 a 3 giri.

### PASSO 03

2 Tenere premuto il pulsante di accensione.

3 Spingere e ruotare la manopola di controllo in senso antiorario su ALTA. (Rilasciare il pulsante di accensione quando il bruciatore si accende.)

4 Regolare la temperatura al livello desiderato.



### SE L'ACCENSIONE NON AVVIENE ENTRO 5 SECONDI:

**PASSO 01** Spegner la manopola di controllo del bruciatore.

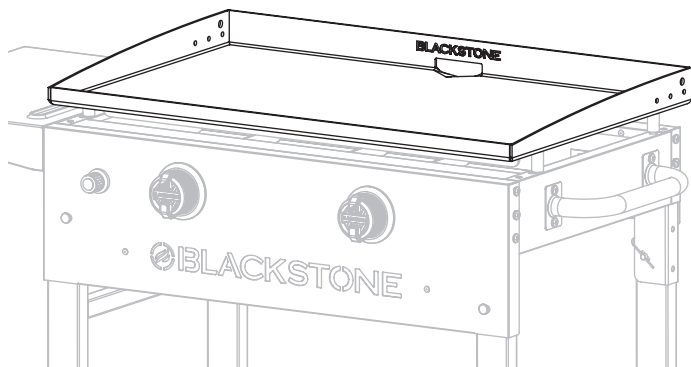
**PASSO 02** Aspetta 5 minuti.

**PASSO 03** Ripetere la procedura di illuminazione.

Se il bruciatore non si accende, fare riferimento al capitolo Risoluzione dei problemi.



## ISTRUZIONI PER IL CONDIMENTO DELLA PIASTRA



### LAVARE LA PARTE SUPERIORE DELLA PIASTRA PRIMA DEL PRIMO UTILIZZO

#### AVVISO

Il sapone rovinerà una piastra condita. Questa è l'unica volta in cui dovresti usare il sapone sulla superficie di cottura della piastra.

**PASSO 01** Lavare la superficie di cottura della piastra con acqua calda e sapone.

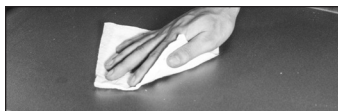
**PASSO 02** Sciacquare e asciugare completamente.



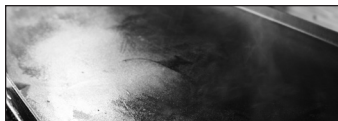
#### VIDEOTUTORIAL

Come condire una nuova piastra Blackstone  
[youtube.com/watch?v=VspmDVnj2pl&t=3s](https://www.youtube.com/watch?v=VspmDVnj2pl&t=3s)

**PASSO 01** Rimuovere eventuali detriti dalla parte superiore della piastra.



**PASSO 02** Imposta la piastra a fuoco alto fino a quando la parte superiore della piastra non cambia colore. (~10 minuti)

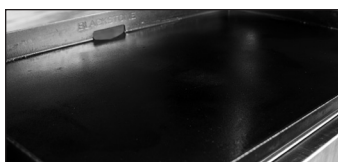


**PASSO 03** Usa le pinze per tenere un tovagliolo di carta o un panno di cotone e stendi 2-3 cucchiaini dell'olio di condimento su tutta la superficie della piastra.

Quando condisci la superficie della piastra, ricorda di utilizzare uno strato sottile e uniforme di olio: più sottile è lo strato di olio, più facile sarà bruciarlo.



**PASSO 04** La parte superiore della piastra è pronta per un altro strato di olio quando smette di fumare. Ripeti il **PASSO 03** 3-4 volte o finché la superficie della piastra non è nera.



### QUALE OLIO È MEGLIO USARE?

- Condimento Blackstone e balsamo per ghisa.
- Qualsiasi olio da cucina di origine vegetale.
- Grasso animale fuso senza additivi.



### RISOLUZIONE DEI PROBLEMI DI CONDIMENTO

#### SULLA SUPERFICIE DELLA PIASTRA È PRESENTE UN RESIDUO BRUNASTRO:

#### POSSIBLE CAUSES

- È stato utilizzato troppo olio.
- Hai spento il fuoco troppo presto.

#### SOLUTION

**PASSO 01** Accendete la piastra e fatela scaldare per 10-15 minuti.

**PASSO 02** Raschiare quanto più possibile l'olio addensato e parzialmente cotto.

**PASSO 03** Condire nuovamente con uno strato molto sottile di olio.

#### I BORDI DELLA SUPERFICIE DELLA PIASTRA NON SONO NERI:

Dopo aver utilizzato la piastra per più cotture, il condimento si uniformerà e migliorerà.

### PREVENIRE LA RUGGINE

Usa la tua piastra frequentemente. Ogni volta che cucini, aggiungi al condimento, il che rende meno probabile la ruggine.

#### AVVISO

Se vivi in un clima umido o costiero, la tua piastra potrebbe richiedere condimenti più frequenti tra un uso e l'altro.

Se appare della ruggine sulla superficie della piastra, strofinarla con lana d'acciaio, carta vetrata a grana bassa o **Pietra pomice Blackstone** e ristaccare la superficie.



#### VIDEOTUTORIAL

Recupero della tua piastra Blackstone  
[youtube.com/watch?v=thPE2lgnSil](https://www.youtube.com/watch?v=thPE2lgnSil)

## CUCINANDO SUL TUO BLACKSTONE

### ⚠ ATTENZIONE

Questo apparecchio sarà caldo durante e dopo l'uso. Utilizzare utensili a manico lungo e guanti da forno/guanti protettivi quando si maneggiano parti potenzialmente calde per proteggersi da ustioni e schizzi.

### ⚠ ATTENZIONE

Se l'apparecchio è dotato di un porta salviette di carta, il braccio deve essere in posizione aperta mentre l'apparecchio è in uso.

### AVVISO

Non conservare alcun oggetto entro 3 pollici (8 cm) dalla superficie di cottura durante l'uso.

### SE GRASSO O ALTRO MATERIALE CALDO GOCCIOLA SULLA VALVOLA, SUL TUBO FLESSIBILE O SUL REGOLATORE:

**PASSO 01** Chiudere immediatamente l'alimentazione del gas.

**PASSO 02** Determina la causa e correggila.

**PASSO 03** Pulire e ispezionare valvola, tubo flessibile e regolatore.

**PASSO 04** Eseguire un test di tenuta. (Fare riferimento alle istruzioni per il test delle perdite)

## VIDEORICETTE

Trova ricette e consigli di cucina su:

🌐 [BlackstoneProducts.com/recipes](https://BlackstoneProducts.com/recipes)

📺 [youtube.com/BlackstoneGriddles](https://youtube.com/BlackstoneGriddles)

📱 [@blackstoneproducts](https://www.instagram.com/blackstoneproducts)



**FRITTELLE DI FRAGOLE E CREMA**  
Colazione

**HAMBURGER DI CIPOLLE FRITTE DELL'OKLAHOMA**  
Il pranzo



**TACOS UBRIACHI**  
Cena

## CURA E MANUTENZIONE

### ⚠ AVVERTENZA

L'accumulo di grasso può causare un incendio. Pulire qualsiasi parte dell'apparecchio che si surriscalda e che presenta accumuli di grasso dopo ogni utilizzo.

### ⚠ ATTENZIONE

Tutte le operazioni di pulizia e manutenzione devono essere eseguite quando l'apparecchio è freddo e tutto è spento.

- Non utilizzare un tampone abrasivo su aree con grafica.
- Se si utilizza una spazzola a setole per pulire una delle superfici di cottura, assicurarsi che non rimangano setole sciolte sulle superfici di cottura prima della cottura.

### CORPO DELL'APPARECCHIO:

Lavare con acqua tiepida e sapone e asciugare immediatamente con un panno non abrasivo. (Non lasciare che gli agenti di pulizia restino su qualsiasi superficie porosa per un periodo di tempo prolungato.)

### AVVISO

Non utilizzare Citrisol, detergenti abrasivi o detergenti concentrati sull'apparecchio. Ciò potrebbe causare danni e guasti alle parti.

## STOCCAGGIO DI ELETTRODOMESTICI

### ⚠ AVVERTENZA

Non spostare l'apparecchio quando è in uso. Lasciare raffreddare l'apparecchio a 45°C (115°F) prima di spostarlo o riporlo.

Lo stoccaggio di un apparecchio al chiuso è consentito solo se l'alimentazione del gas è scollegata e rimossa dall'apparecchio.

### GUIDA ALLA VESTIBILITÀ DELLA COPERTINA

Coprire sempre l'apparecchio se riposto all'aperto.



Per trovare una copertura adatta al tuo elettrodomestico, visita [BlackstoneProducts.com/support](https://BlackstoneProducts.com/support).



## PULIRE LA PARTE SUPERIORE DELLA PIASTRA

Pulisci la parte superiore della piastra dopo ogni utilizzo, mentre è ancora calda.

- Non usare sapone sulla parte superiore della piastra. Questo distruggerà il condimento della piastra.



### VIDEOTUTORIAL

Come pulire la tua piastra Blackstone

▶ [youtube.com/watch?v=-ledu9z6NPY](https://www.youtube.com/watch?v=-ledu9z6NPY)

**PASSO 01** Spingere i residui di cibo sciolti nella tazza del grasso con una spatola o un raschietto di metallo dritto.



**PASSO 02** Pulisci la parte superiore della piastra con un tovagliolo di carta.



**PASSO 03** Applicare alcuni cucchiaini d'acqua sulla superficie della piastra, quindi raschiare l'acqua e i detriti nella coppa del grasso.

(Per i residui di cibo appiccicati, usa un po' di sale grosso.)



**PASSO 04** Pulisci di nuovo con un tovagliolo di carta e asciugalo completamente.



**PASSO 05** Applicare uno strato sottile di olio da cucina per mantenere il condimento e proteggere la superficie della piastra.



## SVUOTA LA TAZZA DEL GRASSO

Il contenitore del grasso deve essere rimosso e svuotato dopo ogni utilizzo.

### ⚠ ATTENZIONE

La coppa del grasso sarà calda durante e dopo l'uso. Non rimuovere la coppa del grasso fino a quando la piastra non si è completamente raffreddata.

# RISOLUZIONE DEI PROBLEMI

## RISOLUZIONE DEI PROBLEMI DI ACCENSIONE

### IL BRUCIATORE NON SI ACCENDE:

Se l'accensione non avviene entro 5 secondi:

**PASSO 01** Ruotare la manopola di controllo del bruciatore su OFF.

**PASSO 02** Aspetta 5 minuti.

**PASSO 03** Ripetere la procedura di illuminazione.

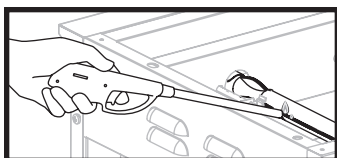
Se questo non funziona, per determinare la causa, provare ad accendere l'apparecchio con un fiammifero.

### ABBINA LE ISTRUZIONI DI ILLUMINAZIONE

Prima di iniziare, verificare la presenza di perdite di gas. Capote aperta (se applicabile).

**PASSO 01** Ruotare la manopola di controllo in posizione OFF.

**PASSO 02** Accendi un fiammifero (o un accendino lungo) non più lungo di 11 pollici.



**PASSO 03** Mettere la fiamma vicino al bruciatore.

**PASSO 04** Spingere e ruotare la manopola di controllo per avviare il flusso del gas. Assicurarsi che il bruciatore si accenda e rimanga acceso.

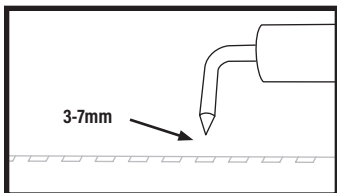
### SE RIESCI AD ACCENDERE IL TUO APPARECCHIO CON UN FIAMMIFERO:

#### CAUSE POSSIBILI

#### SOLUZIONE

Cavo di accensione disallineato.

Assicurarsi che l'ago dell'accenditore sia posizionato a 3-7 mm di distanza dal bruciatore e allineato con i fori del bruciatore.

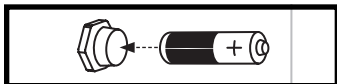


Danni al sistema di accensione.

Contattare il servizio clienti per i pezzi di ricambio.

Batteria scarica/installata in modo errato.

Sostituire con una nuova batteria.



### SE NON RIESCI AD ACCENDERE IL TUO APPARECCHIO CON UN FIAMMIFERO:

#### CAUSE POSSIBILI

#### SOLUZIONE

I tubi del bruciatore non ricevono carburante.

Pulire il gruppo bruciatore per rimuovere l'ostruzione.

## RISOLUZIONE DEI PROBLEMI DEL FLUSSO DI GAS

### LE FIAMME DEL BRUCIATORE SONO GIALLE O IRREGOLARI:

- L'apparecchio non raggiunge una temperatura elevata o si riscalda in modo non uniforme.
- Le fiamme del bruciatore iniziano forte, quindi scendono immediatamente al minimo anche quando il bruciatore è impostato in posizione alta.
- L'altezza della fiamma diminuisce quando si accende un secondo bruciatore.
- Le fiamme non si estendono per l'intera lunghezza del bruciatore o corrono solo su un lato del bruciatore.
- Le fiamme del bruciatore sono incoerenti.

#### CAUSE POSSIBILI

#### SOLUZIONE

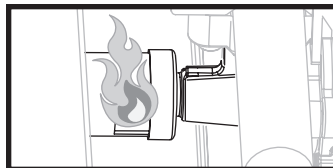
Ostruzioni nel bruciatore, nei getti di gas o nel condotto del carburante.

Pulire il bruciatore, i getti e il tubo del gas.

La bombola del gas è vuota o bassa.

Riempire o sostituire la bombola del gas.

### UNA FIAMMA STA USCENDO DAL CANCELLO D'ARIA:



#### CAUSE POSSIBILI

#### SOLUZIONE

Qualcosa sta bloccando il venturi nel bruciatore.

Pulire il gruppo bruciatore per rimuovere l'ostruzione.



## PULIZIA DEL GRUPPO BRUCIATORE

Per ridurre la possibilità di "ritorno di fiamma", la procedura seguente deve essere seguita almeno una volta al mese quando i ragni sono più attivi o quando l'apparecchio non è stato utilizzato per un periodo di tempo.



### VIDEOTUTORIAL

Come pulire il tubo del bruciatore

▶ [youtube.com/watch?v=xKQTCrFCzf8](https://www.youtube.com/watch?v=xKQTCrFCzf8)

**PASSO 01** Staccare il gruppo regolatore dalla bombola di GPL ruotando il dado di innesto rapido in senso orario.

- Rimuovere la parte superiore della piastra.
- Rimuovere il bruciatore tirando la clip del bruciatore. Utilizzare un cacciavite o una pinza ad ago.

**PASSO 02** Sollevare con cautela il bruciatore e allontanarlo dall'orificio della valvola del gas.

**PASSO 03** Pulisci l'interno del bruciatore:

- Fai scorrere più volte una spazzola per bottiglie (non una spazzola metallica) o un filo rigido piegato in un piccolo gancio attraverso ciascun tubo del bruciatore.
- Utilizzare aria compressa per soffiare attraverso il tubo del bruciatore e fuori dalle porte del bruciatore (indossare una protezione per gli occhi).



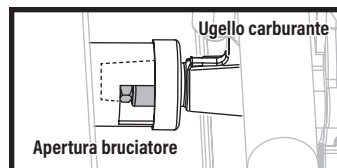
**PASSO 04** Spennellare l'intera superficie esterna del bruciatore per rimuovere lo sporco.



**PASSO 05** Pulisci le porte bloccate con un filo rigido come una graffetta aperta.



**PASSO 06** Sostituire con cura i bruciatori e riattaccarli, prestando attenzione alla posizione dell'ago di accensione.



⚠ L'ugello del carburante della rampa del gas deve essere reinserito all'interno dell'apertura del bruciatore.

## SERVIZIO CLIENTI

Per tutte le domande, richieste o assistenza clienti, si prega di contattare:

**Griddle Masters Europe ApS**

**Blackstone Europe**

Tel. +45 2424 7709

Nordre Strandvej 119, 3150 Hellebæk

Denmark

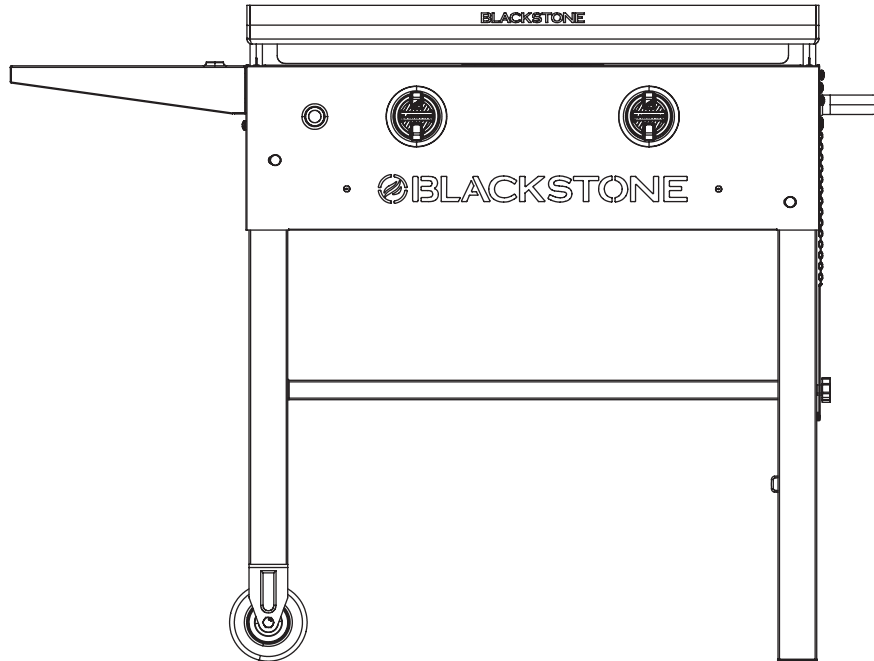
[www.blackstone-europe.com](http://www.blackstone-europe.com)



Questo prodotto può essere coperto da uno o più brevetti statunitensi e/o internazionali rilasciati e può includere domande di brevetto in corso di registrazione.

Per ulteriori informazioni, visitare: [BlackstoneProducts.com/patents](https://BlackstoneProducts.com/patents)





GEBRUIKERSHANDLEIDING | MONTAGE-INSTRUCTIES VOOR GASTOESTEL BUITENSHUIS

# 28" BAKPLAAT

## INHOUDSOPGAVE

<b>BELANGRIJKE VEILIGHEIDSGEGEVENS</b> .....	<b>02</b>
<b>GARANTIE</b> .....	<b>03</b>
<b>MONTAGE GIDS</b> .....	<b>04</b>
<b>UW BLACKSTONE GEBRUIKEN</b> .....	<b>08</b>
<b>PROBLEEMOPLOSSEN</b> .....	<b>14</b>

### BELANGRIJK:

**Alleen buitenshuis gebruiken.**

**Lees de instructies voordat u het apparaat gebruikt.**

**Bewaar deze handleiding voor toekomstig gebruik.**

Raadpleeg bij vragen over montage of bediening uw dealer of LPG-gasmaatschappij.

### VEILIGHEIDSWAARSCHUWINGSSLEUTEL

#### ⚠ GEVAAR

Geeft een gevaarlijke situatie aan die, als deze niet wordt vermeden, zal leiden tot de dood of ernstig letsel.

#### ⚠ WAARSCHUWING

Geeft een gevaarlijke situatie aan die, als deze niet wordt vermeden, kan leiden tot de dood of ernstig letsel.

#### ⚠ VOORZICHTIG

Geeft een gevaarlijke situatie aan die, als deze niet wordt vermeden, kan leiden tot licht of matig letsel.

#### LET OP

Geeft informatie aan die als belangrijk wordt beschouwd, maar niet gerelateerd is aan gevaar (bijv. berichten met betrekking tot materiële schade).

# BELANGRIJKE VEILIGHEIDSinFORMATIE

## VOOR JOUW VEILIGHEID

Als u gas ruikt:

1. Sluit de gastoevoer bij de gasfles af.
2. Doof alle open vuur; gebruik geen elektrische apparaten.
3. Ventileer de ruimte.
4. Controleer op lekken zoals beschreven in deze handleiding.
5. Als de geur aanhoudt, neem dan onmiddellijk contact op met uw dealer of gasleverancier.

## VOORZORGSMAATREGELEN



1. Test alle aansluitingen op lekkage na elke tankvulling.
2. Controleer nooit op lekken met open vuur, gebruik altijd een zeepoplossing.
3. Bewaar of gebruik geen benzine of andere brandbare dampen en vloeistoffen in de buurt van dit apparaat.
4. Elke gasfles die niet is aangesloten voor gebruik, mag niet in de buurt van dit of enig ander apparaat worden bewaard.



## GEVAARLIJKE BRAND OF EXPLOSIE KAN HET GEVOLG ZIJN ALS DE INSTRUCTIES WORDEN NEGEERD.

Het is de verantwoordelijkheid van de consument om ervoor te zorgen dat het apparaat correct wordt gemonteerd, geïnstalleerd en onderhouden. Het niet opvolgen van de instructies in deze handleiding kan letsel en/of materiële schade tot gevolg hebben.

NEDERLANDS

<b>MODEL-/TYPENR.</b>	2145EU			  2531-23      8504-23
<b>WARMTE-INBRENG:</b>	2 x 5.0 kW	<b>TOTAAL:</b> 10.0 kW (727.1 g/h)		
<b>GAS CATEGORIE:</b>	<b>I3+(28~30/ 37)</b>		<b>I3B/P(30)</b>	<b>I3B/P(50)</b>
<b>SOORTEN GAS:</b>	Butaan (G30)	Propaan (G31)	G30, G31 of hun mengsels	G30, G31 of hun mengsels
<b>GAS DRUK:</b>	(28-30) mbar	37mbar	(28-30) mbar	50 mbar
<b>PINCODE:</b>	<b>CE:</b> 2531DN-0117		<b>UKCA:</b> 8504D0-0003	<b>UKCA:</b> 8504D0-0003
	BE, FR, IT, LU, IE, GB, GR, PT, ES, CY, CZ, LT, CH, SI, LV, TR		LU, NL, DK, FI, SE, CY, CZ, EE, LT, MT, SK, SI, BG, IS, NO, HR, RO, IT, HU, LV, GR	DE, AT, CH, SK
<b>Alleen buitenshuis gebruiken.</b>				
<b>Lees de instructies voordat u het apparaat gebruikt.</b>				
<b>⚠ WAARSCHUWING: Toegankelijke onderdelen kunnen zeer heet zijn. Houd jonge kinderen uit de buurt.</b>				
<b>Dit apparaat moet tijdens gebruik uit de buurt van brandbare materialen worden gehouden.</b>				
<b>Verplaats het apparaat niet tijdens gebruik.</b>				
<b>Sluit na gebruik de gastoevoer bij de gasfles af.</b>				
<b>Pas het apparaat niet aan.</b>				

## VEREISTEN VOOR REGELAARS EN SLANGEN

- Gebruik alleen regelaars en slangen die zijn goedgekeurd voor LPG bij de bovengenoemde drukken. De gebruikte slang moet voldoen aan de relevante norm voor het land van gebruik.
- Gebruik een geschikte ademautomaat die is gecertificeerd volgens BSEN 12864 of EN 16129. Zorg ervoor dat de ademautomaat en de flexibele slang voldoen aan de plaatselijke voorschriften.
- De lengte van de flexibele slang mag niet langer zijn dan 1,5 m. In Finland mag de lengte niet groter zijn dan 1,2 m. De slang moet gecertificeerd zijn volgens de toepasselijke EN-norm en voldoen aan de lokale regelgeving. Raadpleeg uw LPG-dealer voor informatie over een geschikte regelaar voor de gasfles.

## ⚠ WAARSCHUWING

Het gebruik van de verkeerde regelaar of slang is onveilig; controleer altijd of u de juiste items hebt voordat u het apparaat gebruikt.

Dit toestel is alleen geschikt voor gebruik met lagedruk butaan- of propaangas of LPG-mengsels, voorzien van de juiste lagedrukregelaar via een flexibele slang.

De verwachte levensduur van de regelaar en de slang wordt geschat op 2 jaar.



# GARANTIE

## GARANTIE OVERZICHT

North Atlantic Imports, de fabrikant, geeft een garantie van één jaar vanaf aankoop op alle onderdelen, vakmanschap en afwerkingen. Het is de keuze van de fabrikant om een van de bovenstaande items te repareren of te vervangen. Alle garanties zijn beperkt tot alleen de oorspronkelijke koper. Deze garantie dekt geen enkele aansprakelijkheid van de kant van North Atlantic Imports, haar agenten of werknemers voor enige indirecte of gevolgschade wegens schending van de garantie. De koper dient de gebruiksinstructies van de fabrikant te volgen.

In geen geval is de fabrikant verantwoordelijk voor schade als gevolg van het niet correct bedienen van het kookstation. Het is de verantwoordelijkheid van de koper om de garantietermijn vast te stellen door de originele aankoopdatum te verifiëren met de originele aankoopbon.

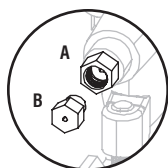
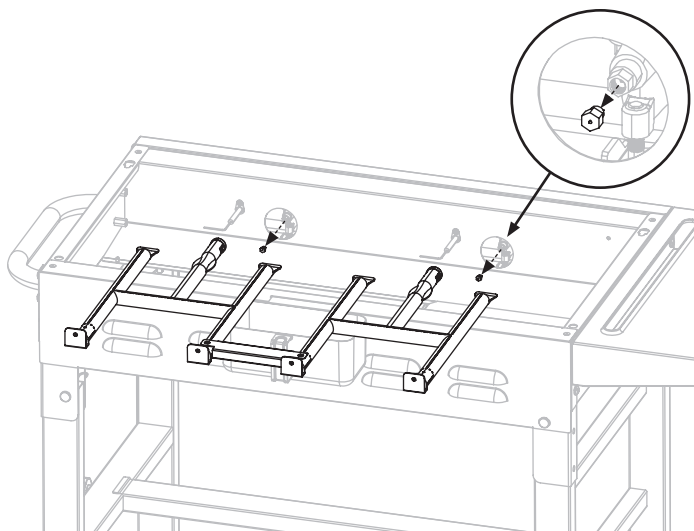
## AANVAARBARE DRUKWIJZIGING

- Onderdelen die door de fabrikant of zijn vertegenwoordiger zijn verzegeld, mogen niet door de gebruiker worden gewijzigd.
- Er mogen geen wijzigingen worden aangebracht aan enig onderdeel van dit apparaat.
- Reparaties en onderhoud mogen alleen worden uitgevoerd door een geregistreerde servicemonteur.

Laat een professional deze wijzigingen aanbrengen.

**STAP 01** Verwijder de schroeven om de branders los te maken.

**STAP 02** Verwijder de brandstofsproeiers (B) voor lagedruklanden. (28-30mbar) (Spuut is linkse draad.)



## GROOTTE VAN MONDSTUK (OPENING)

- (A) 29mbar (1.08 mm)
- (B) 50mbar (1.10 mm)

## UITGEBREIDE UITLEG VAN DE GARANTIE

North Atlantic Imports LLC garandeert de eigenaar dat het product dat onder deze overeenkomst valt, vrij is van defecten in materiaal en vakmanschap bij normaal gebruik en service waarvoor het bedoeld was, als, maar alleen als, het is gebruikt in overeenstemming met North Atlantic Imports LLC instructies uitsluitend voor huishoudelijk gebruik, en niet voor particuliere of openbare clubs, institutionele of commerciële doeleinden.

De verplichting van North Atlantic Imports LLC onder deze garantie is beperkt tot het kosteloos vervangen of repareren van enig onderdeel of onderdelen die, naar tevredenheid van North Atlantic Imports LLC, defect blijken te zijn bij normaal thuisgebruik en onderhoud binnen de volgende vermelde perioden van tijd vanaf de datum van aankoop; voor een jaar vanaf aankoop, alle onderdelen, afwerking en afwerking. Mocht blijken dat niet aan deze garantie wordt voldaan tijdens de hierboven vermelde toepasselijke garantietermijnen, dan moet de oorspronkelijke koper North Atlantic Imports LLC binnen de toepasselijke garantietermijn op de hoogte stellen van de schending van de garantie.

North Atlantic Imports LLC zal, na kennisgeving en naleving door de oorspronkelijke koper van dergelijke instructies, dergelijke non-conformiteit corrigeren door reparatie of vervanging van het defecte onderdeel of de defecte onderdelen.

Correctie op de hierboven beschreven manier vormt een vervulling van alle verplichtingen van North Atlantic Imports LLC met betrekking tot de kwaliteit van het product.

North Atlantic Imports LLC garandeert niet dat deze apparatuur voldoet aan de vereisten van enige veiligheidscode van een staat, gemeente of ander rechtsgebied, en de oorspronkelijke koper aanvaardt alle risico's en aansprakelijkheid die voortvloeien uit het gebruik ervan, ongeacht of het wordt gebruikt in overeenstemming met North Atlantic Imports LLC-instructies of anderszins.

Deze garantie dekt niet en is bedoeld om enige aansprakelijkheid uit te sluiten van de kant van North Atlantic, haar agenten, bedienden of werknemers, hetzij onder deze garantie of geïmpliceerd door de wet, voor enige indirecte schade of gevolgschade voor schending van enige garantie. De koper dient alle van toepassing zijnde garantietermijnen op grond van deze garantie vast te stellen door de oorspronkelijke aankoopdatum te verifiëren aan de hand van het gedateerde aankoopbewijs. Deze garantie is niet van toepassing op dit product of enig ander onderdeel daarvan dat onderhevig is geweest aan een ongeluk, nalatigheid, wijziging, misbruik of verkeerd gebruik of dat is gerepareerd of gewijzigd zonder schriftelijke toestemming van North Atlantic, buiten de fabriek van North Atlantic Imports LLC. De volledige fabrieksgarantie is niet geldig voor bakplaten die zijn gekocht bij niet-erkende, externe wederverkopers, die met korting zijn gekocht vanwege ontbrekende of beschadigde onderdelen, of die zijn gekocht als vloermodel; naar goeddunken van North Atlantic Imports.

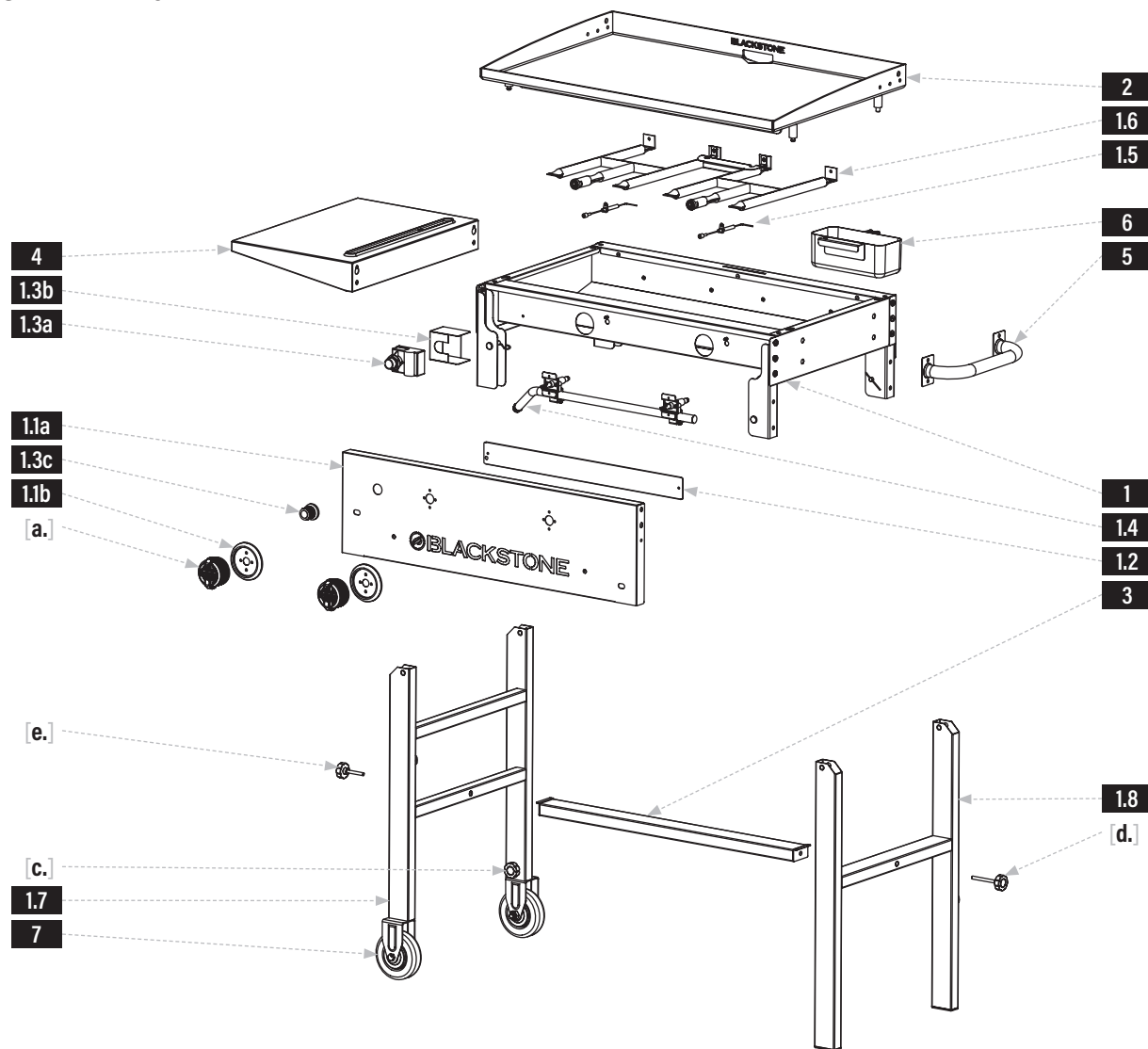
North Atlantic Imports LLC geeft geen enkele garantie met betrekking tot accessoires of onderdelen die niet bij het product zijn geleverd. Deze garantie geldt alleen binnen de grenzen van Europa. Deze garantie geeft de oorspronkelijke koper specifieke rechten en de oorspronkelijke koper kan ook andere rechten hebben, die van staat tot staat kunnen verschillen.

## ACTIVEER UW GARANTIE

Registreer uw product op:  
[blackstone-europe.com/pages/product-registration](https://blackstone-europe.com/pages/product-registration)

# MONTAGE GIDS

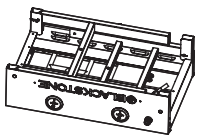
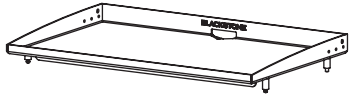


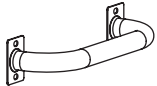
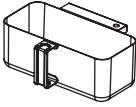

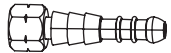
## EXPLOSIETEKENING



NEDERLANDS

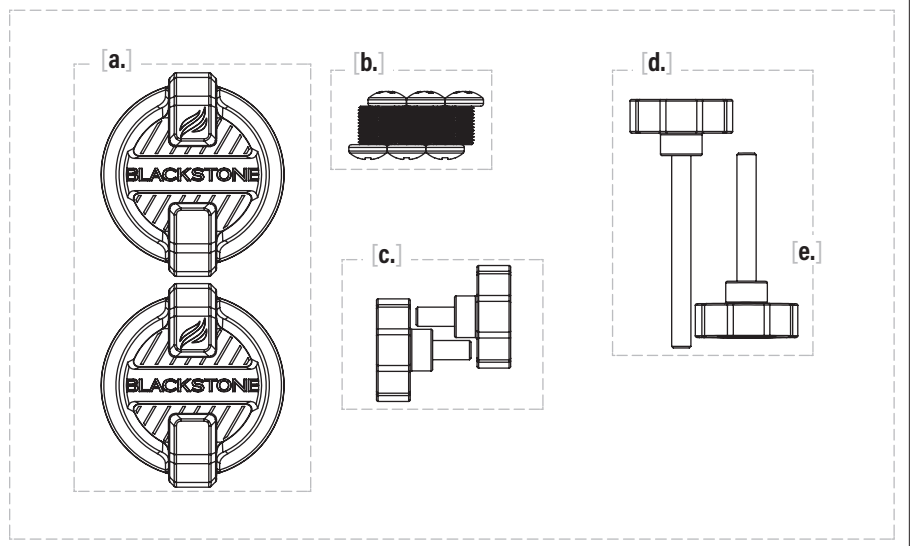
### ONDERDELEN LIJST

ONDERDELEN	#
1.1a Controlepaneel	1
1.1b Bedieningsknop randen	2
1.2 Achtergrond paneel	1
1.3a Ontsteker	1
1.3b Hitteschild	1
1.3c Ontstekingsknop	1
1.4 Gasrail	1
1.5 Ontsteking naalden	2
1.6 H-branders	2
1.7 Montage linkerbeen	1
1.8 Montage rechterbeen	1

<b>1</b> Lichaam (1 stuk) 	<b>2</b> Bakplaat (1 stuk) 
<b>3</b> Beenbrace (1 stuk) 	<b>4</b> Zijplank (1 stuk) 
<b>5</b> Zijhandgreep (1 stuk) 	<b>6</b> Vetpot (1 stuk) 
<b>7</b> Wielen (2 stuks) 	<b>8</b> Slangpilaar (1 stuk) 



- 9** Hardwarepakket (1 stuk)  
**a.** Bedieningsknoppen (2 stuks)  
 Reserveonderdelen (4 stuks)  
**c.** Kleine duimschroeven (2 stuks)  
**d.** Grote duimschroef (1 stuk)  
**e.** Medium duimschroef (1 stuk)



## MONTAGE INSTRUCTIES

Zoek een grote, schone ruimte om uw apparaat te monteren.  
 Verwijder al het verpakkingsmateriaal voordat u het in elkaar zet.

### ⚠ VOORZICHTIG

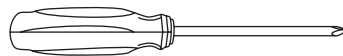
Scherpe randen. Draag handschoenen tijdens het monteren.

### ⚠ VOORZICHTIG

Zware stukken. Twee personen dienen dit apparaat in elkaar te zetten.

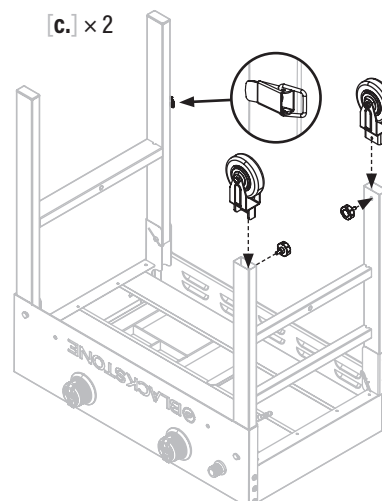


**NIET INBEGREPEN:**  
 AA-batterij



**BENODIGD GEREEDSCHAP:**  
 #3 Kruiskopschroevendraaier

**STAP 01** Haal met behulp van een tweede persoon de bakplaat uit de verpakking en leg deze ondersteboven op een gladde, vlakke ondergrond. Ontgrendel en vouw de poten uit tot hun verticale positie, gebruik vervolgens twee (2) kleine duimschroeven [c.] om de twee (2) wielen aan de uiteinden van de linkerpoot te bevestigen.



**STAP 02** ① Gebruik een (1) grote duimschroef [d.] om de beensteun aan de rechterbeenconstructie te bevestigen.

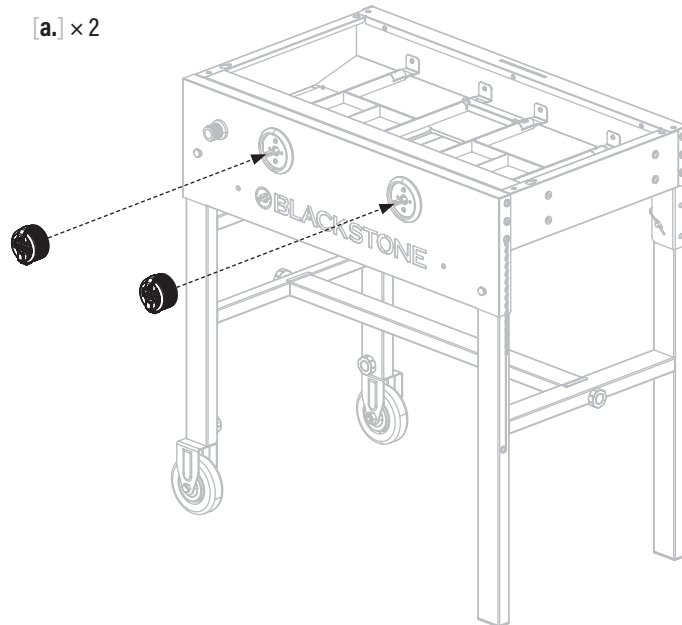
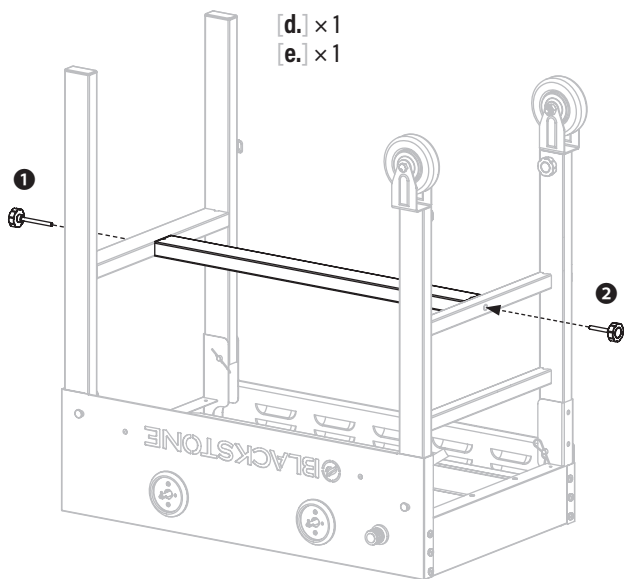
② Gebruik één (1) medium duimschroef [e.] om de beensteun aan het linkerbeen te bevestigen.

**Opmerking:** deze beugel is een integraal onderdeel van de stabiliteit van het apparaat tijdens gebruik.

**STAP 03** Pak met de hulp van een andere persoon de bakplaat op en zet deze op zijn wielen.

Installeer de twee (2) bedieningsknoppen [a.] door ze op hun plaats te drukken in de UIT-stand.

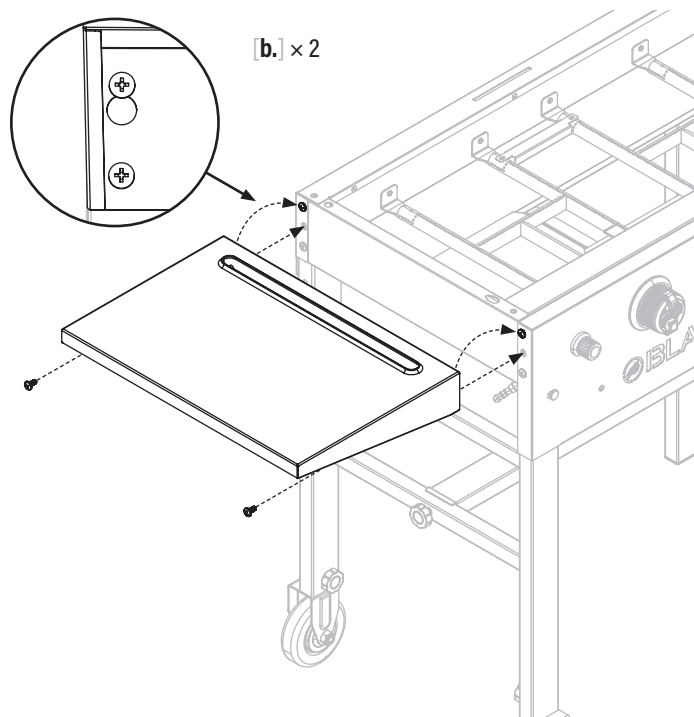
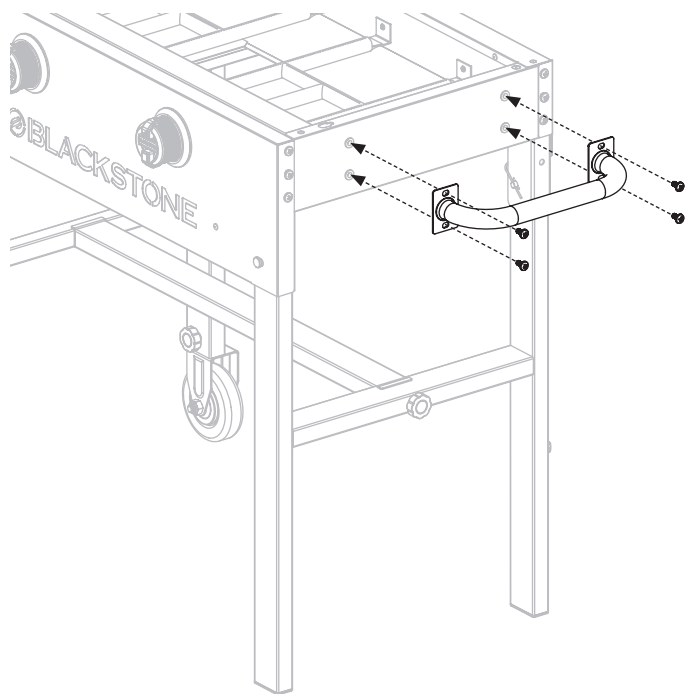
NEDERLANDS



**STAP 04** Gebruik de vier (4) vooraf geïnstalleerde schroeven aan de rechterkant van de bakplaat om de zijhandgreep aan de bakplaat te bevestigen.

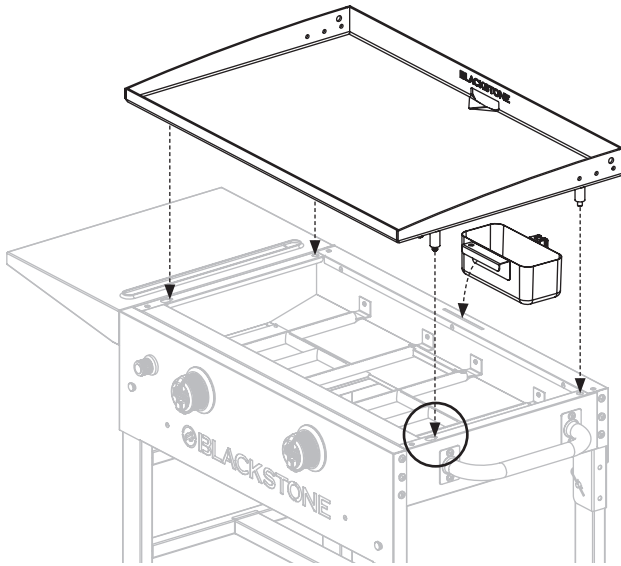
**STAP 05** Draai de twee (2) M6x12 schroeven aan de linkerkant van de bakplaat los.

Haak een (1) zijplank aan deze schroeven en gebruik twee (2) M6x12 schroeven [b.] om de zijplank aan de linkerkant van de bakplaat te bevestigen. Draai alle vier de schroeven vast.

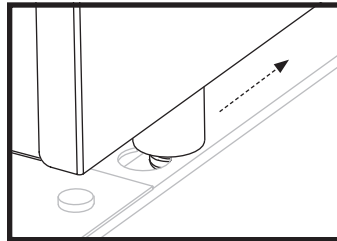




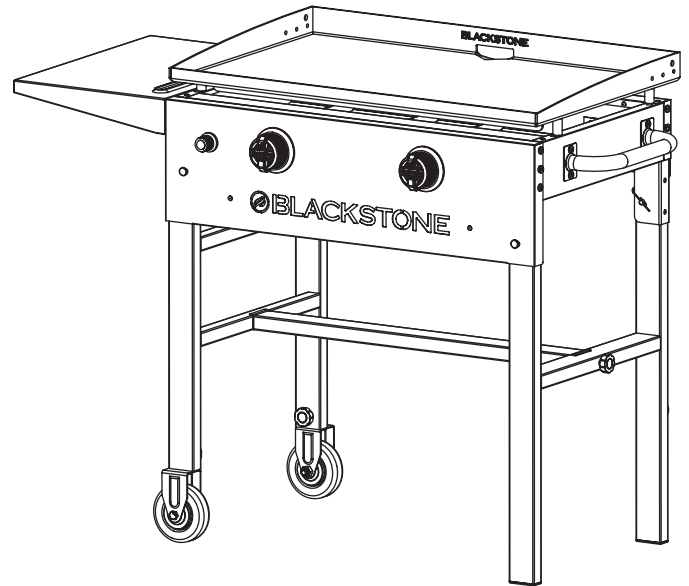
**STAP 06** Hang de vetpot in de gleuf aan de achterkant van de bakplaat. Plaats met de hulp van een andere persoon de bakplaat op het hoofdgedeelte door de 4 pinnen uit te lijnen met de gaten in het hoofdgedeelte.



Zorg ervoor dat de voorste pinnen in de gaten zitten en duw vervolgens de bovenkant van de bakplaat naar achteren.



**STAP 07** Ga verder naar **UW BLACKSTONE GEBRUIKEN**.



#### ⚠ VOORZICHTIG

Het handvat wordt heet als het apparaat in gebruik is.  
Raak de handgreep niet aan als het apparaat heet is.

#### LET OP

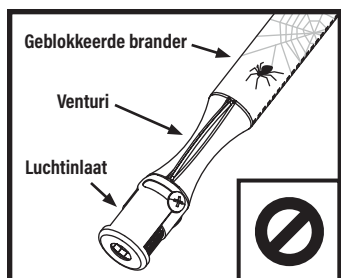
- Het maximale gewicht op de zijplank is 4,5 kg.
- De zijplank kan heet worden terwijl het apparaat in gebruik is.

# UW BLACKSTONE GEbruIKEN

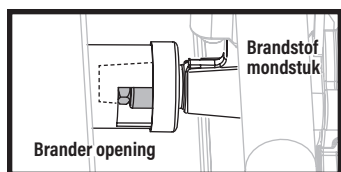
## VOOR HET KOKEN

### BRANDERS CONTROLEREN

Controleer vóór aansluiting en gebruik of er geen vuil in de kop van de gasfles, de regelaar, de slang, de brander en de branderpoorten zit of schade toebrengt aan de kop van de gasfles. Spinnen en insecten kunnen erin nestelen en de brander/venturibus bij de opening verstopen. Raadpleeg het hoofdstuk Problemen oplossen voor instructies voor het reinigen van de brander.



**⚠ WAARSCHUWING**  
Een verstopte brander kan leiden tot brand onder het toestel.  
De brander moet worden verwijderd en gereinigd wanneer er verstoppingen worden gevonden.



**⚠ Zorg ervoor dat de opening van het brandstofmondstuk van de gasrail correct in de branderopening zit.**

**⚠ GEVAAR**  
Ontvlambare voorwerpen kunnen ontbranden als ze in de buurt van het apparaat worden geplaatst. Houd het apparaat vrij van brandbare materialen, spuitbussen, benzine en andere brandbare dampen en vloeistoffen.

**DE MINIMALE OMGEVINGSTEMPERatuur IS 0°F (-18°C).**

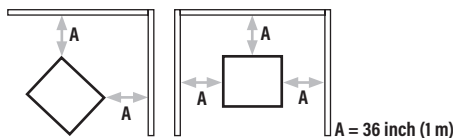
## JE BUITENRUIMTE INRICHTEN

### DIT APPARAAT MAG ALLEEN BUITENSHUIS WORDEN GEbruIKT.

- Gebruik dit apparaat niet in gebouwen, garages of andere afgesloten ruimten.
- Installeer dit apparaat niet in of op een boot.
- Installeer dit apparaat niet in of op een recreatievoertuig.

### ZORG VOOR VOLDOENDE AFSTAND TOT BRANDBAAR MATERIAAL:

- Gebruik dit apparaat niet op of onder een balkon of terras in een appartement of condominium.
- Belemmer de toevoer van verbrandings- en ventilatielucht niet.
- Gebruik dit apparaat niet dichterbij dan 36 inch (1 m) van de zijkanten en achterkant van het apparaat.

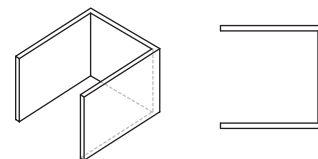


- Gebruik dit apparaat niet onder een brandbare constructie boven het hoofd.

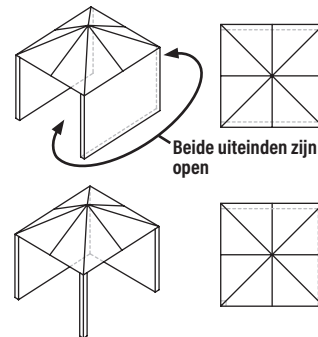
### BESCHUTTE BUITENRUIMTES:

Alle openingen moeten permanent open zijn; schuifdeuren, garagedeuren, ramen of afgeschermd openingen worden niet beschouwd als permanente openingen. Een apparaat wordt als buitenshuis beschouwd als het is geïnstalleerd met niet meer beschutting dan:

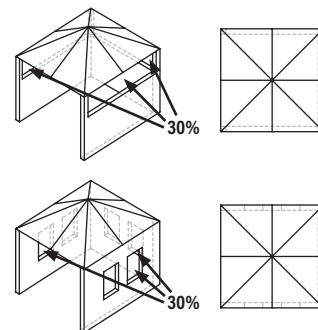
- a. Met wanden aan drie zijden, maar zonder overkapping.



- b. Binnen een gedeeltelijke omheining met een overkapping en niet meer dan twee zijwanden. De zijwanden kunnen evenwijdig zijn, zoals in een doorgang, of in een rechte hoek ten opzichte van elkaar.



- c. Binnen een gedeeltelijke omheining met een overkapping en drie zijwanden, zolang 30% of meer van de horizontale omtrek van de omheining permanent open is.





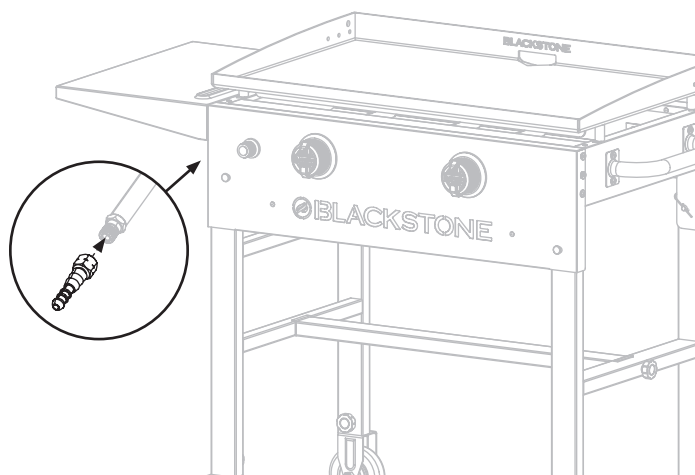


## HET BEVESTIGEN VAN DE BRANDSTOF-CILINDER

### DE REGELAAR BEVESTIGEN

**STAP 01** De regelaar en de slang moeten correct op het apparaat zijn aangesloten. Voor het vastdraaien van de moer op de schroefdraad van de aansluiting moet een sleutel worden gebruikt.

Als u een brandstofklem gebruikt, bevestigt u de slangpilaar aan de gasrail. (Barb is linkse draad.)



**STAP 02** Als de slang wordt vervangen, moet deze met slangklemmen aan de aansluitingen van het apparaat en de regelaar worden vastgemaakt.

#### VERMIJD HET DRAAIEN VAN DE FLEXIBELE SLANG WANNEER HET APPARAAT IN GEBRUIK IS.

- Zorg ervoor dat de slang niet wordt geblokkeerd, geknikt of in contact komt met enig ander deel van het apparaat dan de aansluiting.
- Versleten of beschadigde slang moet worden vervangen.
- Controleer de rubberen O-ring aan het regelaaruiteinde van de slangeneheid minstens één keer per jaar. Als het versleten of gebarsten lijkt, laat het dan vervangen.
- Koppel de regelaar los van de gasfles (volgens de bij de regelaar geleverde gebruiksaanwijzing) wanneer het apparaat niet in gebruik is.

## LEK TEST INSTRUCTIES

**STAP 01** Maak 2-3 vloeibare ounces lekdetectieoplossing door een deel afwasmiddel te mengen met 3 delen water.

**STAP 02** Sluit de gastoevoer af bij het gasflesventiel.

**STAP 03** Zorg ervoor dat de regelklep "UIT" is.

**STAP 04** Sluit de regelaar aan op de cilinder en de AAN/UIT-klep op de brander, zorg ervoor dat de aansluitingen goed vastzitten en zet dan het gas AAN.

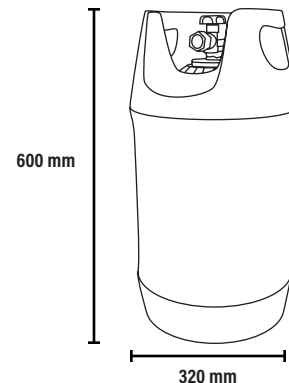
**STAP 05** Borstel het zeepwater op de slang en alle verbindingen. Als er belLEN verschijnen, is er sprake van een lek dat voor gebruik moet worden verholpen. Voer de test opnieuw uit nadat u de fout hebt verholpen.

**STAP 06** Sluit na gebruik de gastoevoer bij de gasfles af.

Als er opnieuw lekkage wordt geconstateerd en deze niet kan worden verholpen, probeer dan niet de lekkage te verhelpen, maar raadpleeg uw gasdealer.

## VEREISTEN VOOR LPG-CILINDERS

- Uw apparaat is geschikt voor gasflessen van 11 kg tot 15 kg.
- De maximale grootte van de gasfles moet zijn: Dia. 320 mm, Hoogte: 600 mm (inclusief ademautomaat).
- Volg de technische informatie zoals vermeld in de gebruiksaanwijzing en informeer bij uw plaatselijke gasleverancier naar een geschikte gasfles voor uw toestel.



## VEILIGHEID VAN DE GASFLES

- De gasfles mag niet vallen of ruw gehanteerd worden.
- Als het apparaat niet in gebruik is, moet de cilinder worden losgekoppeld.
- Plaats na het loskoppelen van de cilinder van het toestel de beschermkap terug op de fles.
- De gasfles moet buiten de behuizing van het apparaat worden geplaatst.
- Sluit of vervang de cilinder altijd in een goed geventileerde ruimte en uit de buurt van ontstekingsbronnen, nooit in de buurt van een vlam, vonk of warmtebron.
- Cilinders moeten buitenshuis rechtop en buiten het bereik van kinderen worden bewaard. De cilinder mag nooit worden opgeslagen waar de temperatuur hoger kan worden dan 50°C. Bewaar de cilinder niet in de buurt van vlammen, waakvlammen of andere ontstekingsbronnen. NIET ROKEN.
- Zorg ervoor dat het compartiment van de gasfles (indien aanwezig) niet wordt geblokkeerd, houd het geventileerd en schoon.
- U moet de cilinder elke tien jaar laten onderhouden of vervangen. De datum van de laatste service moet op de hals van de fles worden gestempeld.
- Plaats bij gebruik op de grond het apparaat en de cilinder altijd op een vlakke ondergrond.

# ONTSTEKINGSINSTRUCTIES

## 1. TERUGSLAGKLEPPEN

**STAP 01** Draai de knop naar de UIT-stand.

**STAP 02** Druk de knop in en laat los. Knop moet terugveren.

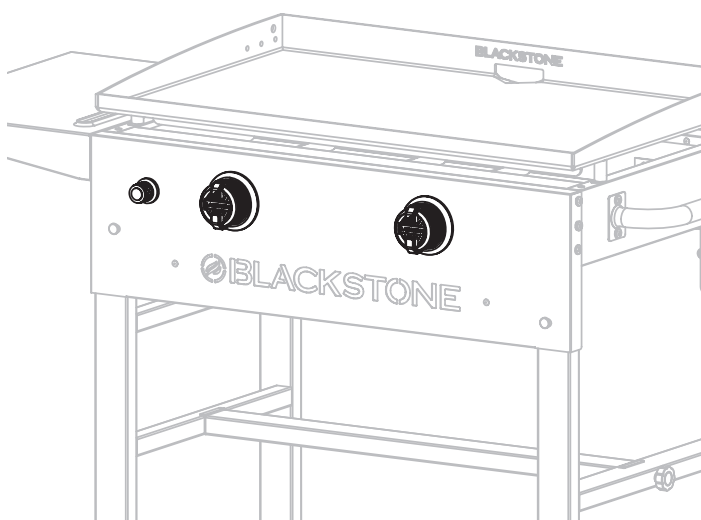
Als de knoppen niet terugveren, vervang dan de klepconstructie voordat u het apparaat gebruikt.

**STAP 03** Draai de knop naar LAAG en draai vervolgens terug naar UIT. De knop moet soepel draaien.

### ⚠ WAARSCHUWING

Als de brander niet ontsteekt terwijl de gastoevoerklep open is, blijft er gas uit de brander stromen en kan dit per ongeluk/onopzettelijk ontbranden met risico op letsel.

Zorg ervoor dat het gas is uitgeschakeld bij de toevoerafsluiter voordat u de kleppen van het apparaat controleert.

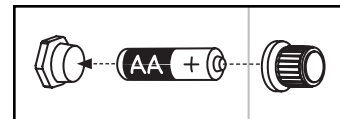


## 2. ONTSTEKING OP BATTERIJEN

⚠ Leun tijdens het aansteken niet over het apparaat.

**STAP 01** Plaats één (1) AA-batterij (niet meegeleverd) onder de ontstekingsknop.

Schroef de knop op zijn plaats over de positieve pool.



**STAP 02**

1 Draai de bedieningsknop naar OFF.

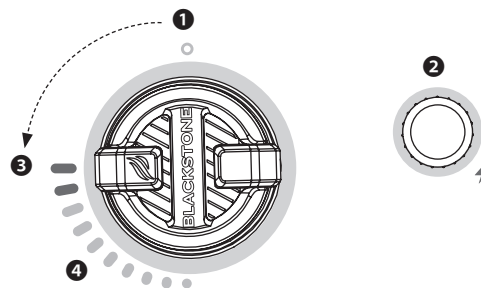
Zet het gas AAN door het handwiel van de gasfles 1 tot 3 slagen linksom te draaien.

**STAP 03**

2 Houd de ontstekingsknop ingedrukt.

3 Druk en draai de bedieningsknop tegen de klok in naar HOOG. (Laat de ontstekingsknop los wanneer de brander aangaat.)

4 Stel de temperatuur in op het gewenste niveau.

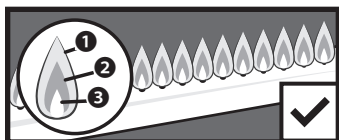


## 3. CONTROLEER VÓÓR GEBRUIK ALTIJD DE VLAM VAN DE BRANDER.

**STAP 01** Steek de branders aan en draai de knoppen van HOOG naar LAAG.

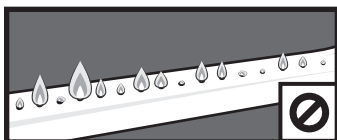
**STAP 02** Kijk onder het kookoppervlak om de branders te bekijken. Wanneer de knop op HOOG staat, moeten de vlammen groter zijn dan wanneer de knop op LAAG staat.

### GEZOND VLAMPATROON



1 Flikkeringen van gele kleur.  
2 Donkerblauwe kleur. 3 Levendig blauw.

### GEEL OF ONREGELMATIG



Als er sprake is van een plotselinge val of een probleem met een lage vlam, raadpleeg dan het hoofdstuk Problemen oplossen.

### ALS DE ONTSTEKING NIET BINNEN 5 SECONDEN PLAATSVINDT:

**STAP 01** Draai de regelknop van de brander UIT.

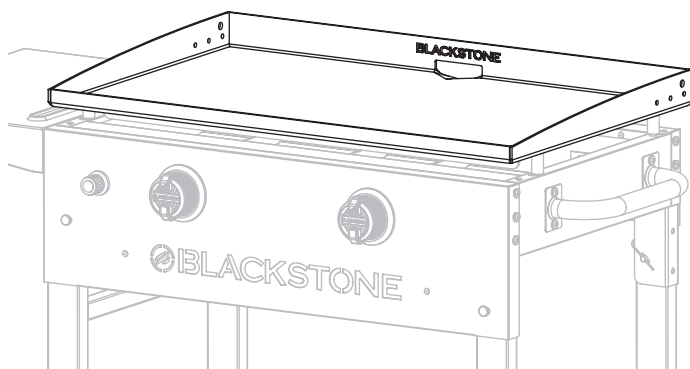
**STAP 02** Wacht 5 minuten.

**STAP 03** Herhaal de aansteekprocedure.

Als de brander niet ontsteekt, raadpleeg dan het hoofdstuk Problemen oplossen.



## INSTRUCTIES VOOR HET KRUIDEN VAN DE GRILL



### WAS UW BAKPLAAT VOOR HET EERSTE GEBRUIK

#### LET OP

Zeep zal een doorgewinterde bakplaat verpesten. Dit is de enige keer dat u zeep op het kookoppervlak van de grillplaat moet gebruiken.

**STAP 01** Was het kookoppervlak van de bakplaat met heet zeepsop.

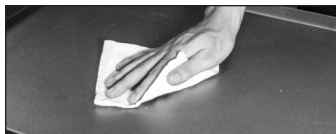
**STAP 02** Spoel en droog volledig.



#### VIDEO-INSTRUCTIES

Een nieuwe Blackstone-bakplaat kruiden  
[youtube.com/watch?v=VspmDVnj2pl&t=3s](https://www.youtube.com/watch?v=VspmDVnj2pl&t=3s)

**STAP 01** Veeg eventueel vuil van de grillplaat.



**STAP 02** Zet je bakplaat op hoog vuur totdat de bovenkant van je bakplaat van kleur verandert. (~10 minuten)

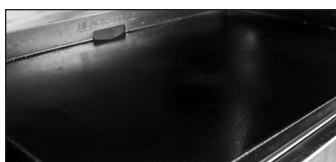


**STAP 03** Gebruik een tang om een papieren handdoek of katoenen doek vast te houden en verdeel 2-3 eetlepels van je kruidenolie over de hele bakplaat.

Denk er bij het kruiden van je grillplaat aan om een dunne en gelijkmatige laag olie te gebruiken - hoe dunner de laag olie, hoe gemakkelijker het zal zijn om het af te branden.



**STAP 04** De grillplaat is klaar voor een nieuwe laag olie als hij stopt met roken. Herhaal **STAP 03** 3-4 keer, of totdat het oppervlak van de bakplaat zwart is.



### WELKE OLIE KAN IK HET BESTE GEBRUIKEN?

- Blackstone kruiden- en gietijzeren conditioner.
- Elke plantaardige frituurolie.
- Gesmolten dierlijk vet zonder toevoegingen.



### PROBLEMEN MET KRUIDEN OPLOSSEN

#### ER IS EEN BRUINACHTIG RESIDU OP HET OPPERVLAK VAN DE BAKPLAAT:

##### MOGELIJKE OORZAKEN

- Er is te veel olie gebruikt.
- Je hebt de verwarming te snel uitgezet.

##### OPLOSSING

**STAP 01** Zet je bakplaat op hoog en laat hem 10-15 minuten opwarmen.

**STAP 02** Schraap zoveel mogelijk van de ingedikte en gedeeltelijk gekookte olie weg.

**STAP 03** Kruid opnieuw met een heel dun laagje olie.

#### DE RANDEN VAN HET BAKPLAATOPPERVLAK ZIJN NIET ZWART:

Nadat je je bakplaat voor meerdere koks hebt gebruikt, wordt de smaak gelijkmatiger en beter.

### ROEST VOORKOMEN

Gebruik je bakplaat regelmatig. Elke keer dat je kookt, voeg je de kruiden toe, waardoor roest minder waarschijnlijk wordt.

#### LET OP

Als u in een vochtig of kustklimaat leeft, kan het zijn dat uw bakplaat vaker moet worden gekruid tussen gebruik.

Als er roest op het oppervlak van de bakplaat verschijnt, wrijf het dan weg met staalwol, schuurpapier met een lage korrel of de **Blackstone Pumice Stone** en breng het oppervlak opnieuw op smaak.



#### VIDEO-INSTRUCTIES

Uw Blackstone Grillplaat herstellen  
[youtube.com/watch?v=thPE2lgnSil](https://www.youtube.com/watch?v=thPE2lgnSil)

## KOKEN OP JE BLACKSTONE

### ⚠️ VOORZICHTIG

Dit apparaat zal tijdens en na gebruik heet zijn. Gebruik keukengerei met een lange steel en ovenwanten/beschermende handschoenen bij het hanteren van mogelijk hete onderdelen om brandwonden en spatten te voorkomen.

### ⚠️ VOORZICHTIG

Als het apparaat is uitgerust met een papieren handdoekhouder, moet de arm in de open stand staan terwijl het apparaat in gebruik is.

### LET OP

Bewaar tijdens gebruik geen items binnen een straal van 8 cm van het kookoppervlak.

### ALS VET OF ANDER HEET MATERIAAL OP DE KLEP, SLANG OF REGELAAR DRUPPELT:

**STAP 01** Sluit de gastoevoer onmiddellijk af.

**STAP 02** Bepaal de oorzaak en corrigeer deze.

**STAP 03** Reinig en inspecteer klep, slang en regelaar.

**STAP 04** Voer een lektest uit. (Raadpleeg de lektestinstructies)

## VERZORGING EN ONDERHOUD

### ⚠️ WAARSCHUWING

Vetophoping kan brand veroorzaken. Reinig elk onderdeel van het apparaat dat heet wordt en vetophoping vertoont na elk gebruik.

### ⚠️ VOORZICHTIG

Alle schoonmaak- en onderhoudswerkzaamheden moeten worden uitgevoerd wanneer het apparaat is afgekoeld en alles is uitgeschakeld.

- Gebruik geen schuursponsje op gebieden met afbeeldingen.
- Als een borstel wordt gebruikt om een van de kookoppervlakken schoon te maken, zorg er dan voor dat er geen losse haren op de kookoppervlakken achterblijven voordat u gaat koken.

### TOESTELICHAAM:

Wassen met warm zeepsop en onmiddellijk droogwrijven met een niet-schurende doek. (Laat reinigingsmiddelen niet langdurig op een poreus oppervlak rusten.)

### LET OP

Gebruik geen citrisol, schuurmiddelen of geconcentreerde reinigers op het apparaat. Dit kan leiden tot schade aan en defecten aan onderdelen.

NEDERLANDS

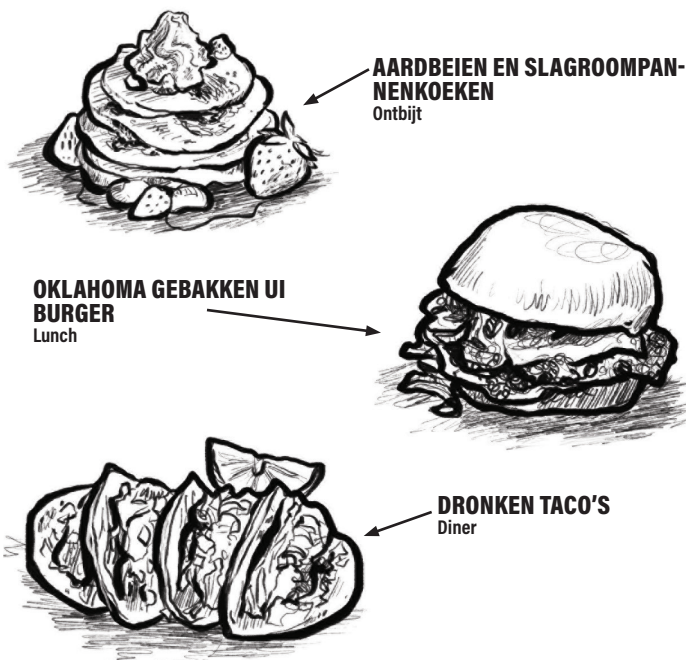
## VIDEORECEPTEN

Vind recepten en kooktips op:

[BlackstoneProducts.com/recipes](https://www.blackstoneproducts.com/recipes)

[youtube.com/BlackstoneGriddles](https://www.youtube.com/BlackstoneGriddles)

[f](https://www.facebook.com/blackstoneproducts) [p](https://www.pinterest.com/blackstoneproducts) [i](https://www.instagram.com/blackstoneproducts) @blackstoneproducts



## APPARAATOPSLAG

### ⚠️ WAARSCHUWING

Verplaats het apparaat niet wanneer het in gebruik is. Laat het apparaat afkoelen tot 115 °F (45 °C) voordat u het verplaatst of opbergt.

Opslag van een apparaat binnenshuis is alleen toegestaan als de gastoevoer is losgekoppeld en van het apparaat is verwijderd.

### GIDS VOOR HET PAssEN VAN DE HOES

Dek uw apparaat altijd af wanneer u het buiten opbergt.



Om een hoes te vinden die bij uw apparaat past, gaat u naar [BlackstoneProducts.com/support](https://www.blackstoneproducts.com/support).



## JE GRILLPLAAT SCHOONMAKEN

Maak de grillplaat na elk gebruik schoon, terwijl deze nog warm is.

- Gebruik geen zeep op de grillplaat. Dit zal de kruiden van de bakplaat vernietigen.



### VIDEO-INSTRUCTIES

Hoe u uw Blackstone-bakplaat schoonmaakt

▶ [youtube.com/watch?v=-ledu9z6NPY](https://www.youtube.com/watch?v=-ledu9z6NPY)

**STAP 01** Duw losse voedselresten in de vetbeker met een spatel of een rechte metalen schraper.



**STAP 02** Veeg de grillplaat af met keukenpapier.



**STAP 03** Breng een paar eetlepels water aan op het oppervlak van de bakplaat en schraap het water en het vuil in de vetbeker.  
(Gebruik voor vastzittende etensresten een beetje grof zout.)



**STAP 04** Veeg opnieuw met een papieren handdoek en droog volledig.



**STAP 05** Breng een dunne laag bakolie aan om de kruiden te behouden en de grillplaat te beschermen.



## MAAK JE VETBEKER LEEG

- De vetbeker moet na elk gebruik worden verwijderd en geleegd.

### ⚠ VOORZICHTIG

De vetbeker zal tijdens en na gebruik heet zijn. Verwijder de vetbeker pas als de bakplaat volledig is afgekoeld.

# PROBLEEMOPLOSSEN

## PROBLEMEN MET ONTSTEKING OPLOSSEN

### BRANDER ONTSTEKT NIET:

Als de ontsteking niet binnen 5 seconden plaatsvindt:

**STAP 01** Draai de regelknop van de brander UIT.

**STAP 02** Wacht 5 minuten.

**STAP 03** Herhaal de verlichtingsprocedure.

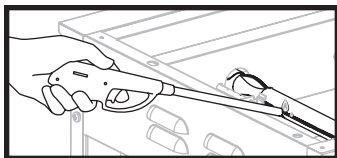
Als dit niet werkt, probeer dan om de oorzaak te achterhalen uw apparaat aan te steken met een lucifer.

### INSTRUCTIES VOOR WEDSTRIJDVERLICHTING

Controleer voor het begin op gaslekken. Open kap (indien van toepassing).

**STAP 01** Draai de regelknop naar de UIT-stand.

**STAP 02** Steek een lucifer (of lange aansteker) aan die niet korter is dan 11 inch lang.



**STAP 03** Plaats de vlam naast de brander.

**STAP 04** Druk de bedieningsknop in en draai hem om het gas te laten stromen. Zorg ervoor dat de brander brandt en blijft branden.

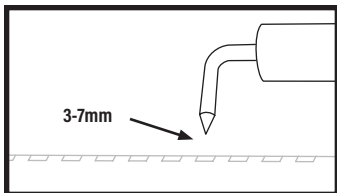
### ALS U UW APPARAAT KUNT ONTSTEKEN MET EEN LUCIFER:

#### MOGELIJKE OORZAKEN

Ontstekingsdraad verkeerd uitgelijnd.

#### OPLOSSING

Zorg ervoor dat de ontstekingsnaald zich op 3-7 mm van de branderbuis en boven een brandergat bevindt.

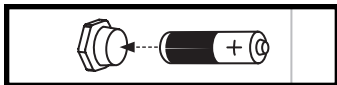


Schade aan het ontstekingsstelsel.

Neem contact op met de klantenservice voor vervangende onderdelen.

Dode/niet goed geplaatste batterij.

Vervang door een nieuwe batterij.



### ALS U UW APPARAAT NIET MET EEN LUCIFER KUNT ONTSTEKEN:

#### MOGELIJKE OORZAKEN

Branderbuizen krijgen geen brandstof.

#### OPLOSSING

Reinig de brandereenheid om de obstructie te verwijderen.

## GASSTROOM PROBLEEMOPLOSSING

### BRANDERVLAMMEN ZIJN GEEL OF ONREGELMATIG:

- Het apparaat bereikt geen hoge hitte of verwarmt ongelijkmatig.
- De brandervlammen beginnen sterk en dalen dan onmiddellijk naar laag, zelfs als de brander op de hoogste stand staat.
- De vlamhoogte neemt af wanneer een tweede brander wordt aangestoken.
- Vlammen strekken zich niet uit over de volledige lengte van de brander, of lopen slechts aan één kant van de brander.
- Brander vlammen zijn inconsistent.

#### MOGELIJKE OORZAKEN

Verstoppingen in de brander, gasstralen of brandstofrail.

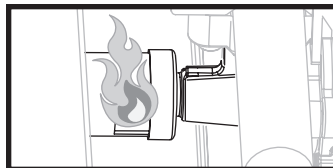
Gasfles is leeg of bijna leeg.

#### OPLOSSING

Reinig de brander, de jets en de gas slang.

Vul de gasfles opnieuw of vervang deze.

### ER KOMT EEN VLAM UIT DE LUCHTPOORT:



#### MOGELIJKE OORZAKEN

Iets blokkeert de venturi in de brander.

#### OPLOSSING

Reinig de brandereenheid om de obstructie te verwijderen.



## DE BRANDEREENHEID REINIGEN

Om de kans op "flash-back" te verkleinen, moet de onderstaande procedure minstens één keer per maand worden gevolgd wanneer spinnen het meest actief zijn of wanneer uw apparaat gedurende een bepaalde tijd niet is gebruikt.



### VIDEO-INSTRUCTIES

Hoe u uw branderbuis schoonmaakt

▶ [youtube.com/watch?v=xKQTCrFCzf8](https://www.youtube.com/watch?v=xKQTCrFCzf8)

**STAP 01** Maak de regelaar los van de LPG-cilinder door de snelkoppelingsmoer met de klok mee te draaien.

- Verwijder de bakplaat.
- Verwijder de brander door aan de branderclip te trekken. Gebruik een schroevendraaier of een punttang.

**STAP 02** Til de brander voorzichtig omhoog en weg van de opening van de gasklep.

**STAP 03** Reinig de binnenkant van de brander:

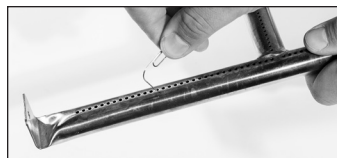
- Laat een flessenborstel (geen staalborstel) of een stijve draad die in een kleine haak is gebogen, meerdere keren door elke branderbuis lopen.
- Blaas met perslucht door de branderbuis en uit de branderpoorten (draag oogbescherming).



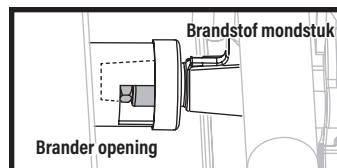
**STAP 04** Borstel het hele buitenoppervlak van de brander om vuil te verwijderen.



**STAP 05** Reinig geblokkeerde poorten met een stijve draad, zoals een open paperclip.



**STAP 06** Plaats de branders voorzichtig terug en bevestig ze opnieuw, met aandacht voor de plaats van de ontstekingsnaald.



⚠ De gasrail-brandstofsproeier moet weer in de branderopening worden gestoken.

## KLANTENSERVICE

Voor alle vragen, vragen of klantenondersteuning kunt u contact opnemen met:

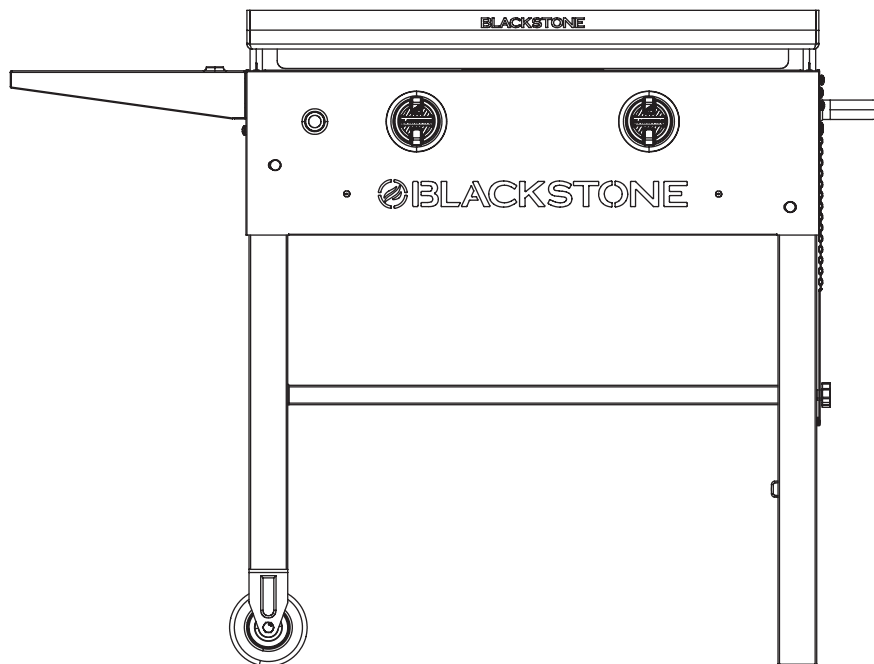
**Griddle Masters Europe ApS**  
**Blackstone Europe Tel. +45 2424 7709**  
**Nordre Strandvej 119, 3150 Hellebæk**  
**Denmark**  
**[www.blackstone-europe.com](http://www.blackstone-europe.com)**



Dit product kan worden beschermd door een of meer verleende Amerikaanse en/of internationale patenten en er kunnen patentaanvragen in behandeling zijn.

Ga voor meer informatie naar: [BlackstoneProducts.com/patents](https://BlackstoneProducts.com/patents)





ÄGARHANDBOK | MONTERINGSANVISNING FÖR UTMOHUSGASAPPARAT

# 28" STEKPLATTAN

## INNEHÅLLSFÖRTECKNING

IVIKTIG SÄKERHETSINFORMATION .....	02
GARANTI .....	03
MONTERINGSGUIDE .....	04
ANVÄNDA DIN BLACKSTONE .....	08
FELSÖKNING .....	14

### VIKTIGT:

Använd endast utomhus.

Läs anvisningarna innan du använder produkten.

Spara den här handboken för framtida referens.

Kontakta återförsäljaren eller gasolföretaget om du har frågor om montering eller drift.

### FORKLARING AV SÄKERHETSMEDELANDEN

#### ⚠ FARA

Indikerar en farlig situation som, om den inte undviks, kommer att leda till dödsfall eller allvarliga personskador.

#### ⚠ VARNING

Indikerar en farlig situation som, om den inte undviks, kan leda till mindre eller måttliga personskador.

#### ⚠ FÖRSIKTIGHET

Indikerar en farlig situation som, om den inte undviks, kan leda till dödsfall eller allvarliga personskador.

#### OBSERVERA

Anger information som anses viktig, men inte riskrelaterad (t.ex. meddelanden relaterade till skador på egendom).

# VIKTIG SÄKERHETSINFORMATION

**VIKTIG SÄKERHETSINFORMATION**

Om du känner lukten av gas:

1. Stäng av gasförsörjningen vid gascylindern.
2. Släck alla öppna lågor och använd inga elektriska produkter.
3. Ventilera området.
4. Kontrollera om det finns läckor enligt beskrivningen i den här handboken.
5. Kontakta omedelbart återförsäljaren eller gasleverantören om lukten kvarstår.

**FÖRSIKTIGHETSÅTGÄRDER**

1. Läckagetesta alla anslutningar efter varje tankpåfyllning.
2. Kontrollera aldrig om det finns läckor med öppen låga. Använd alltid en lösning med vatten och diskmedel.
3. Du får INTE förvara eller använda bensin eller andra brandfarliga ångor och vätskor i närheten av denna produkt.
4. En gascylinder som inte har anslutits för att användas får inte förvaras i närheten av denna eller någon annan produkt.



**RISK FÖR BRAND ELLER EXPLOSION KAN UPPSTÅ OM ANVISNINGARNA IGNORERAS.**

Det är konsumentens ansvar att se till att produkten är korrekt monterad, installerad och omhändertagen. Underlåtenhet att följa anvisningarna i den här handboken kan leda till person- och/eller egendomsskador.

SVENSKA

<b>MODELL/TYPNR.</b>	2145EU			<b>CE</b> 2531-23	<b>UK</b> <b>CA</b> 8504-23
<b>VÄRMEINGÅNG:</b>	4 x 4.3 kW	<b>TOTAL:</b>	17.2 kW (1250.7 g/h)		
<b>GASKATEGORI:</b>	<b>I3+(28~30/ 37)</b>		<b>I3B/P(30)</b>	<b>I3B/P(50)</b>	
<b>GASTYPER:</b>	Butan (G30)	Propan (G31)	G30, G31 eller blandningar av dessa		G30, G31 eller blandningar av dessa
<b>GASTRYCK:</b>	(28-30) mbar	37mbar	(28-30) mbar	50 mbar	
<b>PIN-KOD:</b>	<b>CE:</b> 2531DN-0117		<b>UKCA:</b> 8504D0-0003		<b>UKCA:</b> 8504D0-0003
	BE, FR, IT, LU, IE, GB, GR, PT, ES, CY, CZ, LT, CH, SI, LV, TR		LU, NL, DK, FI, SE, CY, CZ, EE, LT, MT, SK, SI, BG, IS, NO, HR, RO, IT, HU, LV, GR		DE, AT, CH, SK
<b>Använd endast utomhus.</b>					
<b>Läs anvisningarna innan du använder produkten.</b>					
<b>⚠ VARNING: Åtkomliga delar kan vara mycket varma. Håll små barn borta.</b>					
<b>Produkten måste hållas på avstånd från brandfarliga material under användning.</b>					
<b>Flytta inte produkten under användning.</b>					
<b>Stäng av gasförsörjningen vid gascylindern efter användning.</b>					
<b>Modifiera inte produkten.</b>					

**REGULATOR- OCH SLANGKRAV**

- Använd endast regulatorer och slangar som är godkända för gasol vid ovanstående tryck.
  - Den slang som används måste överensstämma med den relevanta standarden för användningslandet.
  - Använd en lämplig regulator som är certifierad enligt BSEN 12864 eller EN 16129.
  - Se till att regulatorn och den flexibla slangen överensstämmer med lokal kod.
  - Längden på den flexibla slangen får inte överstiga 1,5 meter.
  - I Finland får längden inte överstiga 1,2 meter.
  - Slangen ska certifieras enligt gällande EN-standard och följa lokal kod.
- Kontakta gasolåterförsäljaren för information om en lämplig regulator för gascylindern.

**⚠ VARNING**

Det är inte säkert att använda fel regulator eller slang. Kontrollera alltid att du har rätt delar innan du använder produkten.

Den här produkten är endast lämplig för användning med lågtrycksbutan eller propangas- eller gasolblandningar samt med en lämplig lågtrycksregulator via en flexibel slang.

Den förväntade livslängden för regulatorn och slangen uppskattas till två år.



# GARANTI

## GARANTIÖVERSIKT

Tillverkaren North Atlantic Imports erbjuder en garanti på två år från inköpsdatumet för alla delar, utföranden och finish. Tillverkaren väljer om de ovanstående delarna ska repareras eller ersättas.

Alla garantier är begränsade till enbart den ursprungliga köparen. Denna garanti täcker inte något ansvar hos North Atlantic Imports, dess ombud eller anställda för några indirekta skador eller följdskador vid garantibrott. Köparen ska följa tillverkarens bruksanvisning.

Tillverkaren ansvarar inte under några omständigheter för skador på grund av underlåtenhet att använda tillagningsenheten på rätt sätt. Det är köparens ansvar att fastställa garantiperioden genom att kontrollera det ursprungliga inköpsdatumet och det ursprungliga försäljningskvittot.

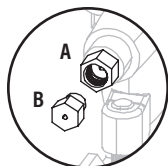
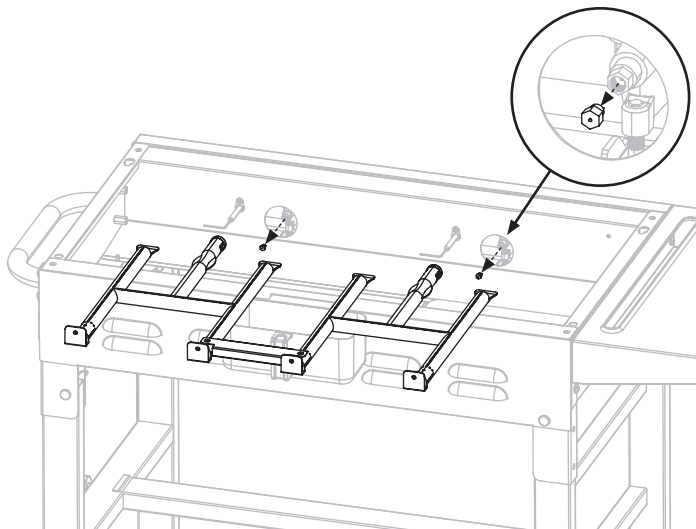
## ACCEPTABEL TRYCKMODIFIERING

- Delar som förseglats av tillverkaren eller dennes ombud får inte ändras av användaren.
- Inga modifieringar får göras av någon del av denna produkt.
- Reparationer och underhåll får endast utföras av en registrerad servicetekniker.

Be en yrkeskunnig person att göra dessa ändringar.

**STEG 01** Ta bort skruvarna för att lossa brännarna.

**STEG 02** Ta bort bränslemunstyckena (B) för lågtrycksländer. (28–30 mbar) (munstycket är vänstergångat)



## MUNSTYCKETS STORLEK (ÖPPNING)

- (A) 29mbar (1,0 mm)
- (B) 50mbar (1,02 mm)

## DETALJERAD FÖRKLARING AV GARANTIN

North Atlantic Imports LLC garanterar ägaren att den produkt som omfattas av detta avtal är fri från defekter vad gäller material och utförande under den normala användning och service den är avsedd för om, men endast om, den i enlighet med North Atlantic Imports LLC:s anvisningar endast har använts för hemmabruk och inte för privata eller offentliga organisationsmässiga, institutionella eller kommersiella syften.

North Atlantic Imports LLC:s skyldighet enligt denna garanti är begränsad till att kostnadsfritt ersätta eller reparera delar som, enligt North Atlantic Imports LLC bedömning, visar sig vara defekta vid normalt hemmabruk och normal service inom de följande angivna tidsperioderna från inköpsdatumet; under två år från inköp, alla delar, finish och utföranden.

Om någon underlåtenhet att följa denna garanti framkommer under de tillämpliga garantiperioder som anges ovan måste den ursprungliga köparen meddela North Atlantic Imports LLC om garantiöverträdelse inom den tillämpliga garantiperioden.

North Atlantic Imports LLC ska efter den ursprungliga köparens meddelande och efterlevnad av dessa anvisningar korrigera denna avvikelse genom reparation eller utbyte av den defekta delen eller de defekta delarna.

Korrigerings på det sätt som anges ovan ska utgöra en uppfyllelse av alla skyldigheter som gäller för North Atlantic Imports LLC med avseende på produktens kvalitet.

North Atlantic Imports LLC garanterar inte att denna utrustning uppfyller kraven i någon säkerhetskod i någon delstat, kommun eller annan jurisdiktion, och den ursprungliga köparen påtar sig alla risker och allt ansvar som uppstår till följd av användningen av utrustningen, oavsett om den används i enlighet med North Atlantic Imports LLC:s anvisningar eller på annat sätt.

Denna garanti täcker inte och är avsedd att undanta allt ansvar från North Atlantic Imports ombud eller anställda, vare sig det gäller under denna garanti eller är underförstått enligt lag, för eventuella indirekta skador eller följdskador vid brott mot någon garanti.

Köparen måste fastställa alla tillämpliga garantiperioder enligt denna garanti genom att verifiera det ursprungliga inköpsdatumet med hjälp av det daterade försäljningskvittot.

Denna garanti gäller inte för denna produkt eller någon del därav som har varit föremål för olycka, försumlighet, ändring, missbruk eller felaktig användning eller som har reparerats eller ändrats utan skriftligt medgivande från North Atlantic, utanför North Atlantic Imports LLC:s fabrik.

Den fullständiga tillverkargarantin gäller inte för grillar som köpts från ej licensierade tredjepartsåterförsäljare, köpts till ett rabatterat pris på grund av saknade eller skadade delar eller köpts som skyltexemplar; efter North Atlantic Imports gottfinnande.

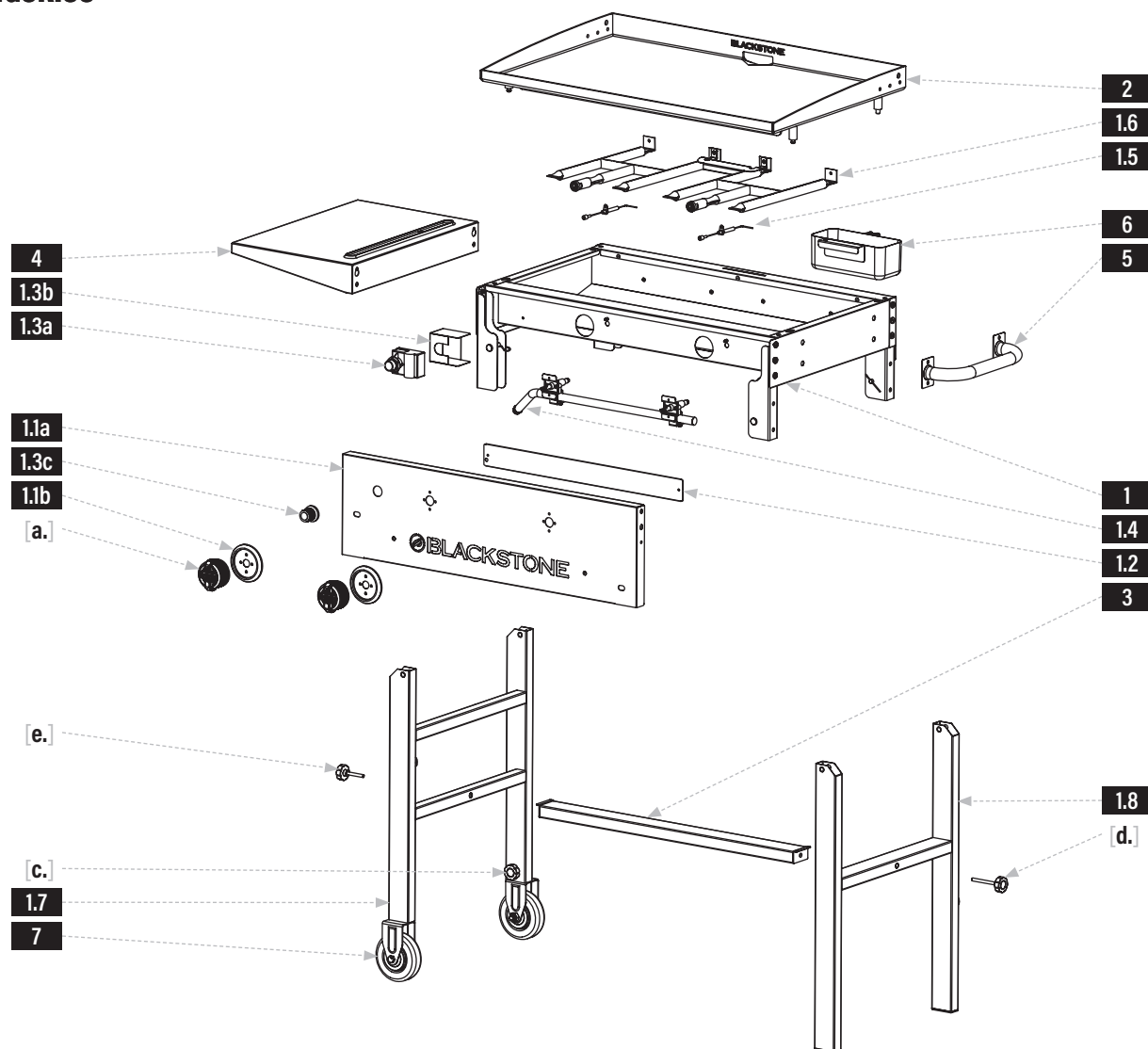
North Atlantic Imports LLC ger inga som helst garantier för tillbehör eller delar som inte medföljer grillen. Denna garanti gäller endast inom Europas gränser. Denna garanti ger den ursprungliga köparen specifika rättigheter och den ursprungliga köparen kan även ha andra rättigheter, som varierar från land till land.

## AKTIVERA DIN GARANTI

Registrera din produkt på:  
[blackstone-europe.com/pages/product-registration](https://blackstone-europe.com/pages/product-registration)

# MONTERINGSGUIDE


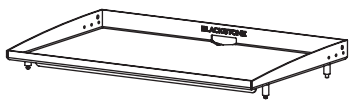

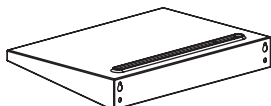
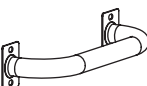
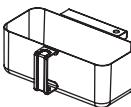

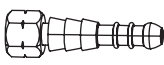
## SPRÄNGSKISS



SVENSKA

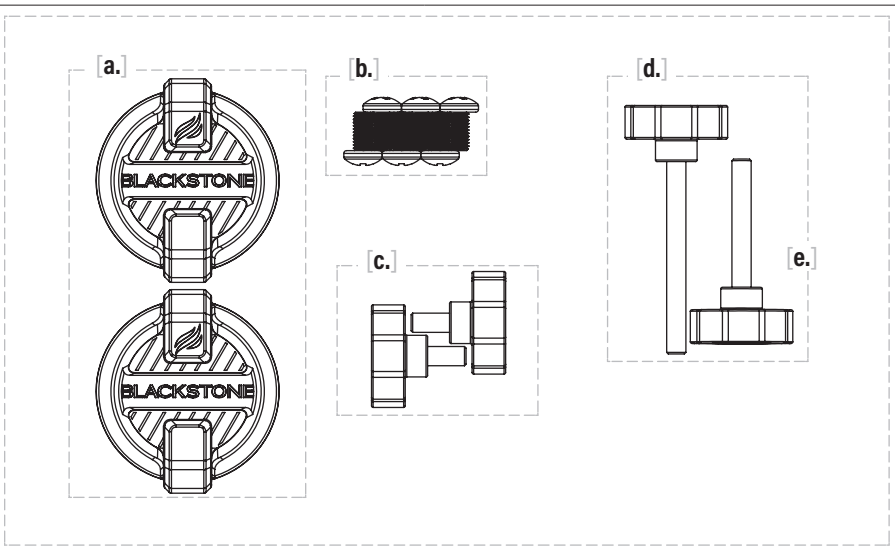
### LISTA ÖVER DELAR

DELAR	#
1.1a Kontrollpanel	1
1.1b Kontrollknappsramar	2
1.2 Bakgrundspanel	1
1.3a Ignitor	1
1.3b Värmesköld	1
1.3c Tändningsknapp	1
1.4 Gasstång	1
1.5 Tändningsnålar	2
1.6 H Brännare	2
1.7 Vänster ben montering	1
1.8 Högerbensmontering	1

<b>1</b> Kropp (1 st) 	<b>2</b> Grillplatta (1 st) 		
<b>3</b> Benstöd (1 st) 	<b>4</b> Sidohylla (1 st) 		
<b>5</b> Sidohandtag (1 st) 	<b>6</b> Smörjkopp (1 st) 	<b>7</b> Hjul (2 stycken) 	<b>8</b> Slanghulling (1 st) 



- 9** Metaldelskit (1 st)
- a.** Kontrollknappar (2 stycken)
- b.** M6x12 skruvar (2 stycken)  
Reservdelar (4 stycken)
- c.** Små tumskruvar (2 stycken)
- d.** Stor tumskruv (1 st)
- e.** Medium tumskruv (1 st)



## MONTERINGSSIDOR

Hitta ett stort, rent område att montera produkten på.  
Ta bort allt förpackningsmaterial innan du monterar den.

### ⚠ FÖRSIKTIGHET

Vassa kanter. Använd handskar när du monterar produkten.

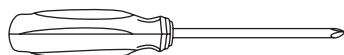
### ⚠ FÖRSIKTIGHET

Tunga delar. Två personer krävs för att montera den här produkten..

SVENSKA



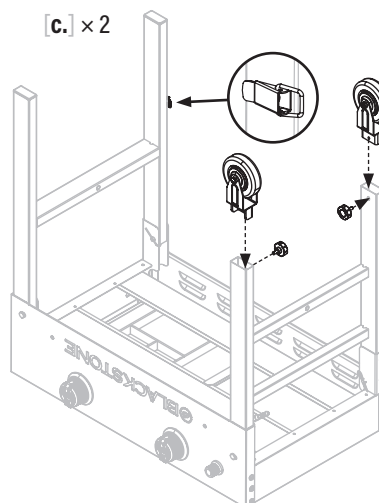
**INGÅR EJ:**  
AA batteri



**VERKTYG SOM BEHÖVS:**  
#3 Stjärnskruvmejsel

**STEG 01** Med hjälp av en annan person, ta ut grillen ur förpackningen och lägg den upp och ner på en slät, plan yta.

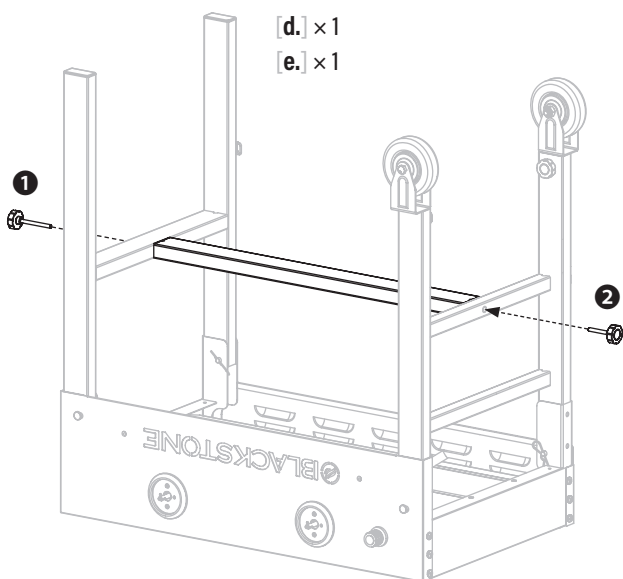
Lås upp och vik ut benen till deras vertikala läge, använd sedan två (2) små tumskruvar [c.] för att fästa de två (2) hjulen på ändarna av den vänstra benenheten.



**STEG 02** ① Använd en (1) stor tumskruv [d.] för att fästa benstödet på den högra benenheten.

② Använd en (1) medelstor tumskruv [e.] för att fästa benstödet på den vänstra benenheten.

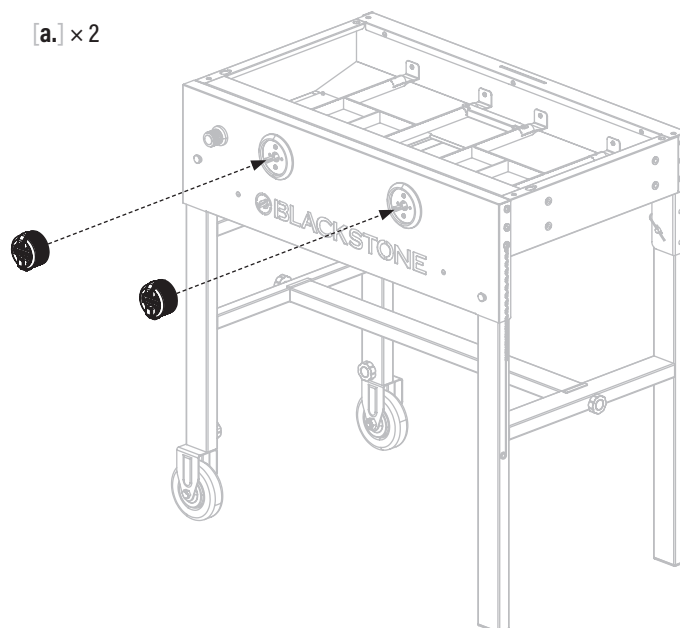
**Obs:** Detta stöd är en integrerad del av apparatens stabilitet under användning.



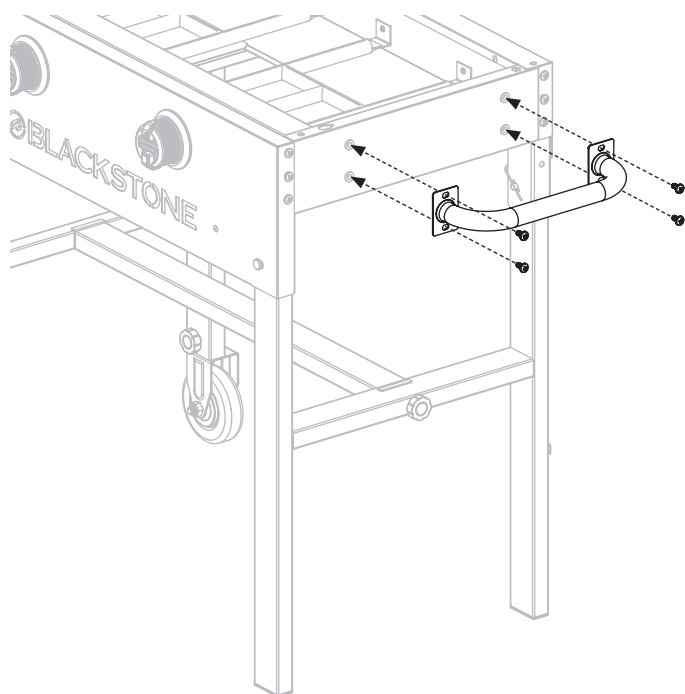
**STEG 03** Med hjälp av en annan person, plocka upp grillen och ställ den på hjulen.

Installera de två (2) kontrollrattarna [a.] genom att trycka dem på plats i OFF-läget.

[a.] × 2



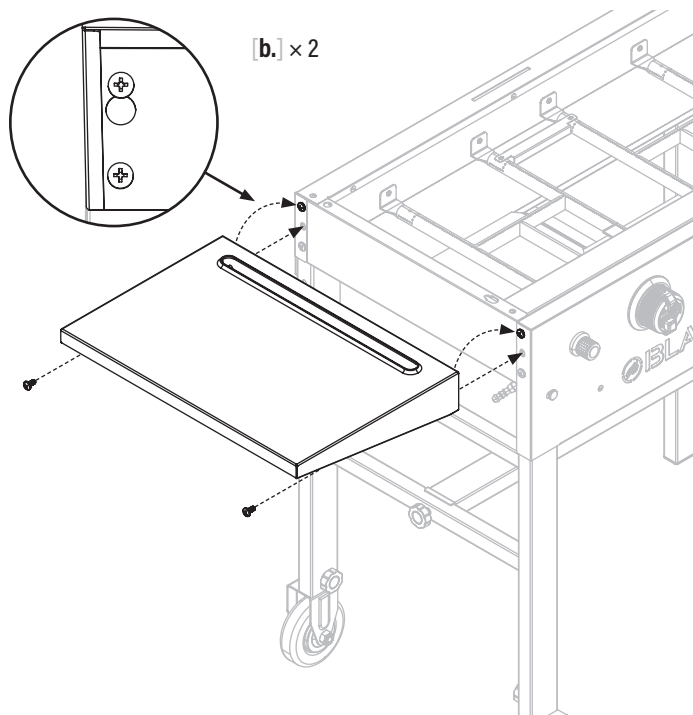
**STEG 04** Använd de fyra (4) förinstallerade skruvarna på den högra sidan av grillstommen för att fästa sidohandtaget på grillstommen.



**STEG 05** Lossa de två (2) M6x12 skruvarna på vänster sida av gallerkroppen.

Haka fast en (1) sidohylla på dessa skruvar och använd två (2) M6x12 skruvar [b.] för att fästa sidohyllan till vänster sida av gallerkroppen. Dra åt alla fyra skruvarna.

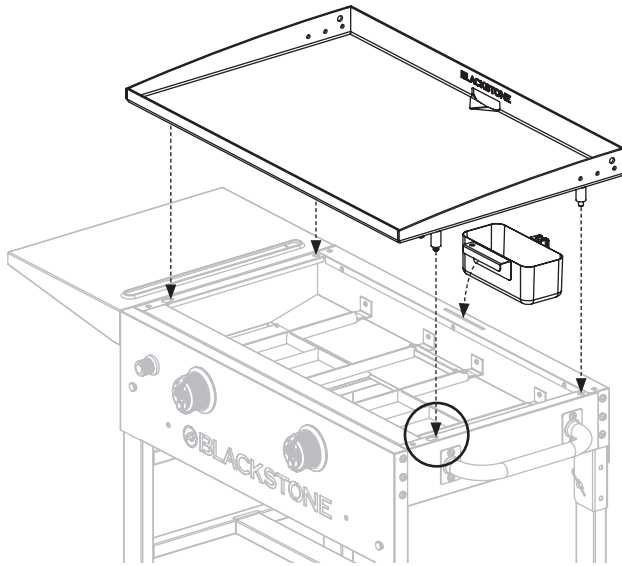
[b.] × 2



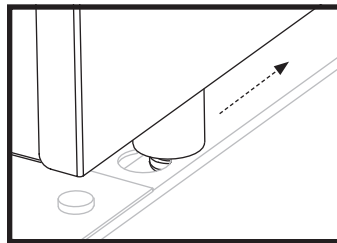


**STEG 06** Häng upp fettkoppen i skåran på baksidan av grillen.

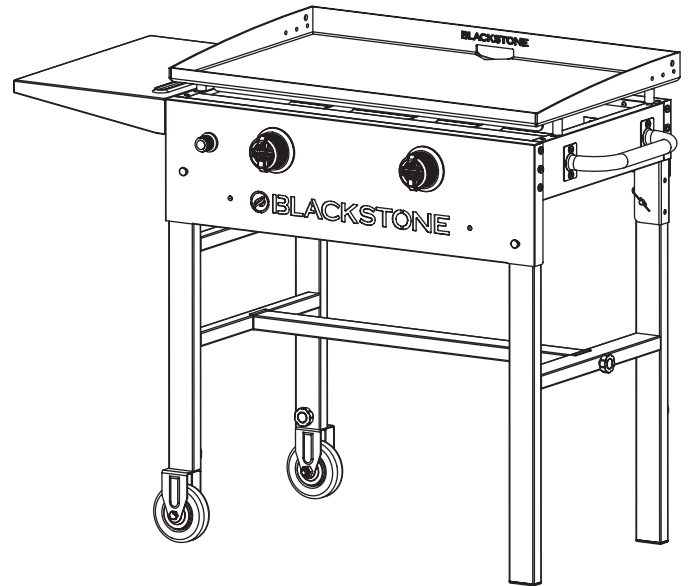
Med hjälp av en annan person, placera grillens topp på huvuddelen genom att rikta in de 4 stiften mot hålen i kroppen.



Se till att de främre stiften sitter i hålen och tryck sedan bakåt på grillplattan.



**STEG 07** Fortsätt till att **ANVÄNDA DIN BLACKSTONE.**



**⚠ FÖRSIKTIGHET**

Handtaget blir varmt när produkten används.  
Rör inte vid handtaget när produkten är varm.

**OBSERVERA**

- Maxvikten på sidohyllan är 4,5 kg.
- Sidohyllan kan bli varm när produkten används.

# ANVÄNDA DIN BLACKSTONE

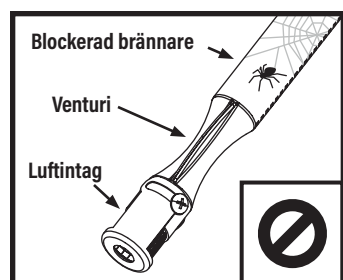
## FÖRE TILLAGNING

### KONTROLLERA BRÄNNARNA

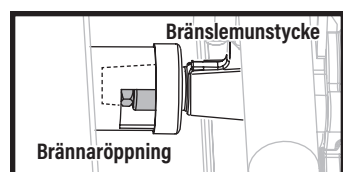
Före anslutning och användning, se till att inget skräp har fastnat i, eller skadat, huvudet på gasflaskan, regulatorn, slangen, brännaren och brännarportarna.

Spindlar och insekter kan krypa in i och täppa till brännarna/venturiröret vid öppningen.

Se avsnittet Felsökning för rengöringsanvisningar för brännarna.



**⚠ VARNING**  
En igensatt brännare kan leda till brand under produkten. Brännarna ska tas bort och rengöras när blockeringar upptäcks.



**⚠** Se till att öppningen på gasskannans bränslemunstycke är korrekt inkopplad i brännaröppningen.

**⚠ FARA**  
Brandfarliga föremål kan antändas om de placeras i närheten av produkten.  
Håll produktområdet fritt från brännbara material, aerosolbehållare, bensin och andra brandfarliga ångor och vätskor.

**DEN LÄGSTA OMGIVANDE DRIFTSTEMPERATUREN ÄR -18 °C.**

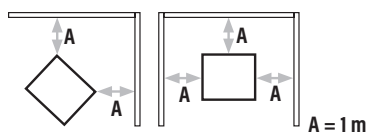
## FÖRBERED DITT UTOMHUSOMRÅDE

### PRODUKTEN FÅR ENDAST ANVÄNDAS UTOMHUS.

- Använd inte produkten i byggnader, garage eller andra slutna utrymmen.
- Montera inte produkten i eller på en båt.
- Montera inte produkten i eller på ett fritidsfordon.

### HÅLL RÄTT AVSTÅND FRÅN BRÄNNBART MATERIAL.

- Använd inte den här produkten på eller under en balkong eller terrass som tillhör en lägenhet eller ett byggnadskomplex.
- Blockera inte flödet av förbrännings- och ventilationsluft.
- Använd inte produkten med mindre än en meters avstånd från produktens sidor och baksida till brännbara konstruktioner.



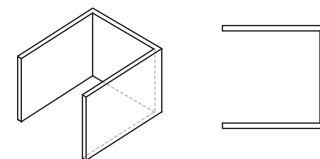
- Använd inte den här produkten under en konstruktion som är lättantändlig..

### TÄCKTA UTOMHUSOMRÅDEN:

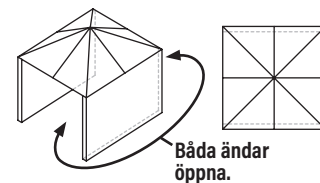
Alla öppningar måste vara permanent öppna. Skjutdörrar, garageportar, fönster eller avskärmade öppningar betraktas inte som permanenta öppningar.

En produkt anses vara utomhus om den är monterad med täckning som inte omfattar mer än följande:

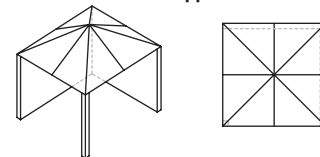
- a. Med väggar på tre sidor, men utan tak.



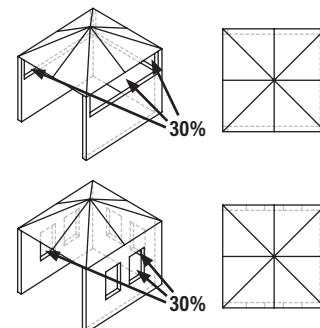
- b. Inom ett delvist avskärmat område som har någon form av tak och högst två sidoväggar.



- c. Sidoväggarna kan vara parallella, som i en passage, eller i rät vinkel mot varandra.



- d. Inom ett delvist avskärmat område som omfattar ett tak och tre sidoväggar, så länge som 30 % eller mer av områdets horisontella omkrets är permanent öppet.







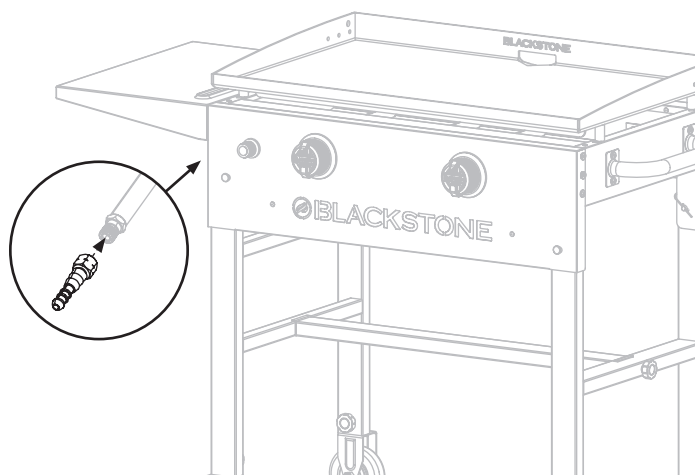
# FÄSTA BRÄNSLECYLINDERN

## FÄSTA REGULATORN

**STEG 01** Regulatoren och slangen måste vara korrekt anslutna till produkten. En skruvnyckel ska användas för att dra åt muttern på anslutningsgången.

Om du använder en bränsleklämma ska slanghullingen fästas på gasskenan.

(Hullingen är vänstergängad.)



**STEG 02** Om slangen byts ut måste den fästas på produkten och regulatoranslutningarna med slangklämmor.

### UNDVIK ATT VRIDA DEN FLEXIBLA SLANGEN NÄR PRODUKTEN ANVÄNDS.

- Se till att slangen inte är blockerad, böjd eller i kontakt med någon annan del av produkten, utöver vid anslutningen.
- Om slangen är sliten eller skadad måste den bytas ut.
- Kontrollera o-ringens gummi på slangens regulatorände minst en gång per år.
- Om den verkar sliten eller sprucken ska den bytas ut.
- Koppla loss regulatoren från cylindern (enligt instruktionerna som medföljer regulatoren) när produkten inte används.

## ANVISNINGAR FÖR LÄCKAGETEST

**STEG 01** Förbered en läckagetestlösning på 6–9 deciliter genom att blanda en del diskmedel med tre delar vatten.

**STEG 02** Stäng av gasförsörjningen vid gascylinderventilen.

**STEG 03** Kontrollera att reglerventilen är inställd på "OFF".

**STEG 04** Anslut regulatoren till cylindern och ON/OFF-ventilen till brännaren. Se till att anslutningarna är säkra och slå sedan på gasen.

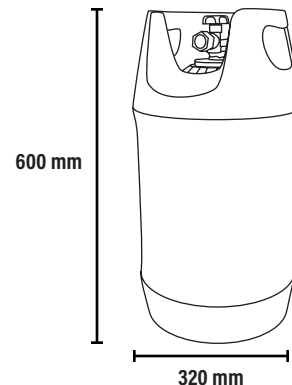
**STEG 05** Borsta diskmedelsvattnet på slangen och alla fogar. Om du ser bubblor har du en läcka som måste åtgärdas före användning. Testa igen efter att felet har åtgärdats.

**STEG 06** Stäng av gasförsörjningen vid gasbehållaren efter användning.

Om du upptäcker läckage igen och det inte kan åtgärdas ska du inte försöka laga eventuella hål, utan kontakta din gasförsäljare.

### KRAV PÅ GASOLCYLINDER

- Produkten kan användas med gascylindrar på mellan 11 och 15 kg.
- Gascylinderns maximala storlek ska vara: Diameter: 320 mm, höjd: 600 mm (inklusive regulator).
- Följ den tekniska information som anges i bruksanvisningen och ta hjälp av din lokala gasleverantör för att hitta en lämplig gascylinder för din produkt.



### GASCYLINDERNS SÄKERHET

- Gascylindern får inte tappas eller hanteras på ett oförsiktigt sätt.
- Om produkten inte används måste cylindern kopplas från.
- Sätt tillbaka skyddskåpan på cylindern efter att du har kopplat från cylindern från produkten.
- Gascylindern måste placeras utanför produktens huvuddel.
- Anslut alltid och byt alltid ut cylindern i ett välventilerat område och på avstånd från eventuella antändningskällor – aldrig i närheten av en låga, gnista eller värmekälla.
- Cylindrar måste förvaras utomhus i upprätt läge och oåtkomligt för barn. Cylindern får aldrig förvaras där temperaturen kan överskrida 50 °C. Förvara inte cylindern nära lågor, tändlågor eller andra antändningskällor. **RÖK INTE NÄRA CYLINDERN.**
- Se till att gascylinderns fack (om ett sådant finns) inte är blockerat. Håll det ventilerat och rent.
- Cylindern måste servas eller bytas ut vart tionde år. Datumet för den senaste servicen ska stämplas på flaskans hals.
- Placera alltid produkten och cylindern på en plan yta när de används direkt på marken.

# TÄNDNINGSANVISNINGAR

## 1. KONTROLLERA VENTILERNA

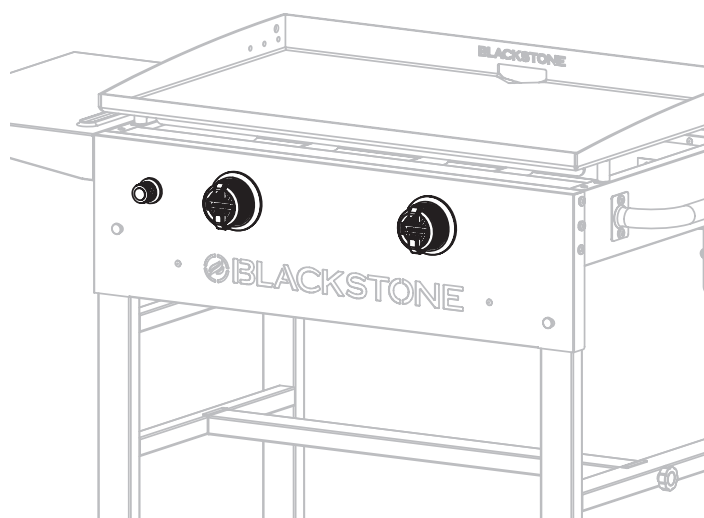
**STEG 01** Vrid vredet till läget OFF (AV).

**STEG 02** Tryck in vredet och släpp det. Vredet ska fjädra tillbaka. Om vredet inte fjädrar tillbaka ska ventilenheten bytas ut innan produkten används.

**STEG 03** Vrid vredet till LOW (LÅG) och vrid sedan tillbaka det till OFF (AV).

### ⚠ VARNING

Om brännaren inte tänds med öppen gastillförselventil kommer gas att fortsätta att strömma ut ur brännaren och kan av misstag/oavsiktligt antändas med risk för skada. Se till att gasen är avstängd vid tillförselns avstängningsventil innan du kontrollerar apparatens ventiler.

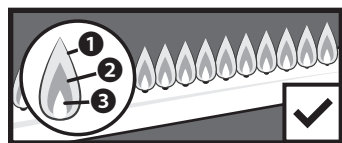


## 3. KONTROLLERA ALLTID BRÄNNARENS LÅGA FÖRE ANVÄNDNING.

**STEG 01** Tänd brännare och vrid vreden från HÖG till LÅG.

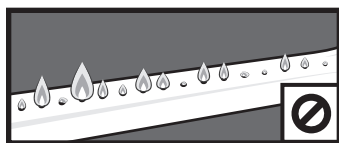
**STEG 02** Titta under matlagningsytan för att se brännare. När vredet är på HIGH, bör lågorna vara större än när vredet är på LOW.

### HÄLSOSAMT LÅGA MÖNSTER



- 1 Flimmer av gul färg.  
2 Mörkblå färg. 3 Vibrationer blå.

### GUL ELLER OREGELBUNDEN

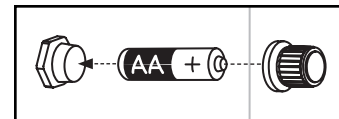


Om det finns ett plötsligt fall eller problem med låg låga, se kapitlet om felsökning.

## 2. BATTERIDRIVEN TÄNDNING

⚠ Luta dig inte över produkten medan du tänder brännaren..

**STEG 01** Sätt i ett (1) AA-batteri (ingår ej) under tändknappen. Skruva fast knappen på plats över pluspolen.



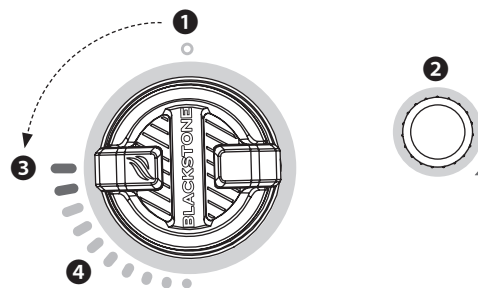
### STEG 02

1 Vrid kontrollvredet till OFF (AV).

Slå PÅ gasen genom att vrida gascylinderns handhjul moturs 1 till 3 varv.

### STEG 03

- 2 Tryck och håll in tändknappen.  
3 Tryck och vrid kontrollvredet moturs till HIGH (HÖG). (Släpp tändknappen när brännaren tänds.)  
4 Justera temperaturen till önskad nivå.



## OM ANTÄNDNING INTE SKER INOM 5 SEKUNDER:

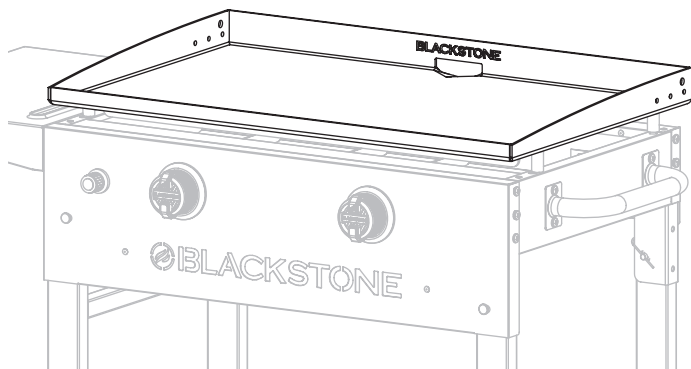
**STEG 01** Stäng av brännarens kontrollreglage.

**STEG 02** Vänta 5 minuter.

**STEG 03** Upprepa belsningsproceduren. Om brännaren inte tänds, se kapitlet Felsökning.



# ANVISNINGAR FÖR ATT BRÄNNA UR GRILLEN



## RENGÖR STEKPLATTAN INNAN DU ANVÄNDER DEN FÖR FÖRSTA GÅNGEN

### OBSERVERA

Diskmedel förstör en grill som bränts ur. Det här är den enda gången du ska använda diskmedel på grillens tillagningsyta.

**STEG 01** Rengör grillens tillagningsyta med varmt vatten och diskmedel.

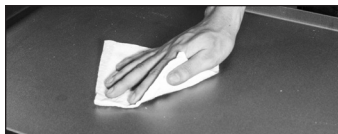
**STEG 02** Skölj och låt torka helt.



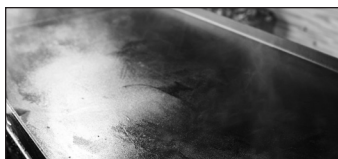
### INFORMATIONSVIDEO

Så här bränner du ur en ny Blackstone-grill  
[youtube.com/watch?v=VspmDVnj2pl&t=3s](https://www.youtube.com/watch?v=VspmDVnj2pl&t=3s)

**STEG 01** Torka bort eventuellt skräp från stekplattan.



**STEG 02** Ställ in grillen på hög värme tills stekplattan ändrar färg (ca tio minuter).

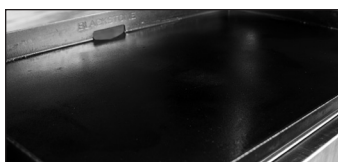


**STEG 03** Använd tänger för att hålla ett stycke hushållspapper eller bomullstrasa och sprid ut 2-3 matskedar av din urbränningsolja över hela stekplattan.

När du bränner ur stekplattan ska du komma ihåg att använda ett tunt och jämnt lager olja - ju tunnare oljelager, desto lättare blir det att bränna bort det.



**STEG 04** Stekplattan är redo för ytterligare ett lager olja när den inte längre röker. Upprepa **STEG 03** tre till fyra gånger eller tills grillytan är svart.



## VILKEN OLJA ÄR BÄST ATT ANVÄNDA?

- Blackstones produkt Seasoning and Cast Iron Conditioner.
- Valfri växtbaserad matlagningsolja.
- Renat animaliskt fett utan tillsatser.



## FELSÖKNING AV URBRÄNNING

### DET FINNS EN BRUNAKTIG REST KVAR PÅ GRILLYTAN:

#### MÖJLIGA ORSAKER

- För mycket olja användes.
- Du stängde av värmen för tidigt.

#### LÖSNING

**STEG 01** Vrid på grillen på hög nivå och låt den värmas upp i 10-15 minuter.

**STEG 02** Skrapa bort så mycket av den förtjocknade och delvis tillagade oljan som möjligt.

**STEG 03** Sprid ut ett nytt, mycket tunt lager olja.

### KANTERNA PÅ GRILLYTAN ÄR INTE SVARTA:

Efter att du har använt din grill upprepade gånger jämnar urbränningen ut sig och förbättras.

## FÖRHINDRA ROST

Använd din grill ofta. Varje gång du lagar mat ökar urbränningen, vilket minskar risken för rost.

### OBSERVERA

Om du bor på en plats med fuktigt klimat eller kustklimat kan det krävas mer frekventa urbränningar mellan användningarna.

Om rost uppstår på grillytan ska du gnida bort den med stålull, sandpapper med låg grovlek eller **Blackstone Pumice Stone** och bränna av ytan igen.



### INFORMATIONSVIDEO

Återställa stekplattan på din Blackstone-grill  
[youtube.com/watch?v=thPE2lgnSil](https://www.youtube.com/watch?v=thPE2lgnSil)

## LAGA MAT PÅ DIN BLACKSTONE

### ⚠ FÖRSIKTIGHET

Produkten kommer att vara varm under och efter användning. Använd redskap med långa handtag och ugnsvantar/skyddshandskar vid hantering av potentiellt heta delar för att skydda dig mot brännskador och stänk.

### ⚠ FÖRSIKTIGHET

Om produkten är försedd med en hållare för hushållspapper måste armen vara i öppet läge när produkten används.

### **OBSERVERA**

Förvara inga föremål inom åtta centimeter från tillagningsytan under användning.

### OM FETT ELLER ANNAT HETT MATERIAL DROPPAR PÅ VENTILERNA, SLAGEN ELLER REGULATORN:

**STEG 01** Stäng omedelbart av gasförsörjningen.

**STEG 02** Fastställ orsaken och åtgärda den.

**STEG 03** Rengör och inspektera ventil, slang och regulator.

**STEG 04** Utför ett läckagetest. (Se läckagetestanvisningarna)

## SKÖTSEL OCH UNDERHÅLL

### ⚠ VARNING

Fett som ansamlas kan orsaka brand. Rengör alla delar av produkten som blir varma och där fett ansamlas efter varje användning.

### ⚠ FÖRSIKTIGHET

All rengöring och allt underhåll ska utföras när produkten har svalnat och allt är avstängt.

- Använd inte rengöringsredskap med slipande yta på skärmar och liknande områden.
- Om du använder en borste för att rengöra någon av tillagningsytorna ska du se till att inga lösa borststrån finns kvar på tillagningsytorna före tillagningen.

### PRODUKTENS HUVUDEL:

Tvätta med varmt vatten och diskmedel och torka omedelbart av med en trasa utan slipeffekt. (Lämna inte rengöringsmedel på någon porös yta under en längre tid.)

### **OBSERVERA**

Använd inte Citrisol, slipande rengöringsmedel eller koncentrerade rengöringsmedel på produkten. Detta kan leda till att delarna skadas eller inte fungerar som de ska.

## VIDEORECEPT

Du hittar recept och matlagningstips på:

[BlackstoneProducts.com/recipes](https://www.blackstoneproducts.com/recipes)

[youtube.com/BlackstoneGriddles](https://www.youtube.com/BlackstoneGriddles)

[f](https://www.facebook.com/blackstoneproducts) [p](https://www.pinterest.com/blackstoneproducts) [i](https://www.instagram.com/blackstoneproducts) @blackstoneproducts



**PANNKAKOR MED JORDGUBBAR OCH GRÄDDE**  
Frukost

**OKLAHOMA-BURGARE MED STEKT LÖK**  
Lunch



**TACOS BORRACHOS**  
Middag

## FÖRVARING AV PRODUKTEN

### ⚠ VARNING

Flytta inte produkten medan den används. Låt produkten svalna till 45 °C innan du flyttar eller ställer den på en plats för förvaring.

Det är tillåtet att förvara produkten inomhus enbart om gasförsörjningen kopplas bort och tas bort från produkten.

### PASSFORMSGUIDE FÖR ÖVERDRAG

Täck alltid över produkten när den förvaras utomhus.



Du hittar ett överdrag som passar din produkt på [BlackstoneProducts.com/support](https://www.blackstoneproducts.com/support).



## RENGÖRA STEKPLATTAN

Rengör stekplattan efter varje användning, medan den fortfarande är varm.

- Använd inte diskmedel på stekplattan. Detta förstör grillens urbränning.



### INFORMATIONSVIDEO

Så här rengör du din Blackstone-grill

▶ [youtube.com/watch?v=-ledu9z6NPY](https://www.youtube.com/watch?v=-ledu9z6NPY)

**STEG 01** Skrapa av lösa matrester i fettbehållaren med en spatel eller rak metallskrapa.



**STEG 02** Torka av stekplattan med hushållspapper.



**STEG 03** Applicera några matskedar vatten på grillytan och skrapa sedan ned vattnet och resterna i fettbehållaren.

(Använd lite grovsalt för att avlägsna rester av livsmedel som fastnat.)



**STEG 04** Torka ytan med hushållspapper igen och se till att den blir helt torr.



**STEG 05** Applicera ett tunt lager matolja för att bibehålla effekten av urbränningen och skydda stekplattan.



## TÖM FETTBEHÅLLAREN

Fettbehållaren måste tas bort och tömmas efter varje användning.

### ⚠ FÖRSIKTIGHET

Fettbehållaren kommer att vara varm under och efter användning. Ta inte bort fettbehållaren förrän grillens överdel har svalnat helt.

# FELSÖKNING

## FELSÖKNING AV TÄNDNING

### BRÄNNAREN TÄNDS INTE:

Om tändning inte sker inom fem sekunder:

**STEG 01** Vrid brännarens reglagevred till OFF (AV).

**STEG 02** Vänta i fem minuter.

**STEG 03** Upprepa tändproceduren.

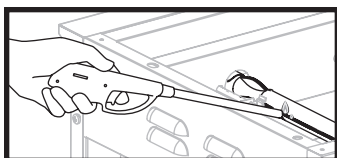
Om detta inte fungerar ska du försöka tända produkten med en tändsticka för att fastställa orsaken.

### ANVISNINGAR FÖR TÄNDNING MED TÄNDSTICKOR

Kontrollera om gasläckage förekommer innan du börjar. Öppet lock (om tillämpligt).

**STEG 01** Vrid kontrollvredet till läget OFF (AV).

**STEG 02** Tänd en tändsticka (eller lång tändare) som inte är kortare än 28 cm.



**STEG 03** Placera lågan bredvid brännaren.

**STEG 04** Tryck in och vrid kontrollvredet för att starta gasflödet. Se till att brännarna tänds och att de förblir tända.

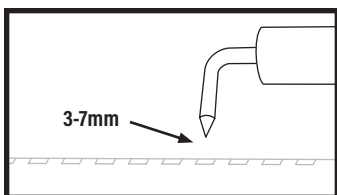
### OM DU KAN TÄNDA PRODUKTEN MED EN TÄNDSTICKA:

#### MÖJLIGA ORSAKER

Tändtråden sitter fel.

#### LÖSNING

Se till att tändnålen är placerad 3-7 mm från brännaren och i linje med brännarhålen.

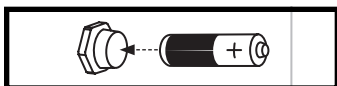


Skador på tändsystemet.

Kontakta kundtjänst för reservdelar.

Urladdat/felaktigt installerat batteri.

Byt ut batteriet mot ett nytt batteri.



### OM DU INTE KAN TÄNDA PRODUKTEN MED EN TÄNDSTICKA:

#### MÖJLIGA ORSAKER

Brännarrören får inte bränsle.

#### LÖSNING

Rengör brännarenheten för att åtgärda blockeringen.

## FELSÖKNING AV GASFLÖDE

### BRÄNNARENS LÅGOR ÄR GULA ELLER OREGELBUNDNA:

- Produkten uppnår inte hög värme eller producerar ojämn värme.
- Brännarens lågor är kraftiga till en början, men blir sedan genast svagare, även när brännaren är inställd på högt läge.
- Låghöjden sjunker när en andra brännare tänds.
- Lågorna omfattar inte hela brännaren eller förekommer endast på ena sidan av brännaren.
- Brännarens lågor är ojämnta.

#### MÖJLIGA ORSAKER

Blockeringar i brännaren, gasmunstyckena eller bränsleskenan.

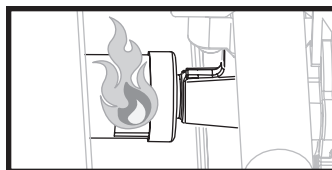
Gasflaskan är tom eller låg.

#### LÖSNING

Rengör brännaren, gasmunstyckena och gaslangan.

Fyll på eller byt ut gasflaskan.

### EN LÅGA KOMMER UT UR LUFTSPJÄLLET:



#### MÖJLIGA ORSAKER

Något blockerar venturin i brännaren.

#### LÖSNING

Rengör brännarenheten för att åtgärda blockeringen.



## RENGÖRA BRÄNNARENHETEN

För att minska risken för att en stor flamma slår upp när du tänder grillen ska du utföra proceduren nedan minst en gång i månaden under den period då spindlar är mest aktiva eller när produkten inte har använts under en viss tid.



### INFORMATIONSVIDEO

Så här rengör du brännarrören

▶ [youtube.com/watch?v=xKQTCrFCzf8](https://www.youtube.com/watch?v=xKQTCrFCzf8)

**STEG 01** Lossa regulatorenheten från gasolcylindern genom att vrida snabbkopplingsmuttern medurs.

- Ta bort stekplattan.
- Ta bort brännarna genom att dra i brännarklämman. Använd en skruvmejsel eller spetstång.

**STEG 02** Lyft försiktigt upp och bort brännarna från gasventilens öppning.

**STEG 03** Lossa försiktigt brännarna och ta bort dem:

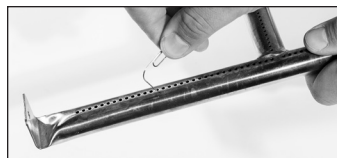
- Kör en flaskborste (inte en stålborste) eller en styv tråd böjd i en liten krok genom varje brännare flera gånger.
- Använd tryckluft för att blåsa genom brännarröret och ut ur brännarportarna (använd ögonskydd).



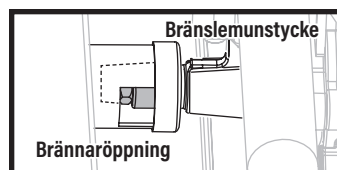
**STEG 04** Borsta hela brännarens yttre yta för att ta bort smuts.



**STEG 05** Rengör alla blockerade portar med en styv tråd, t.ex. ett öppet gem.



**STEG 06** Byt försiktigt ut brännarna och sätt tillbaka dem med hänsyn till tändnålens placering.



⚠ Se till att öppningen på gasskenans bränslemunstycke är korrekt inkopplad i brännaröppningen.

## KUNDSUPPORT

För alla frågor, förfrågningar eller kundsupport ska du kontakta:

**Griddle Masters Europe ApS**  
**Blackstone Europe**  
 Tel. +45 2424 7709  
 Nordre Strandvej 119, 3150 Hellebæk  
 Denmark  
[www.blackstone-europe.com](http://www.blackstone-europe.com)

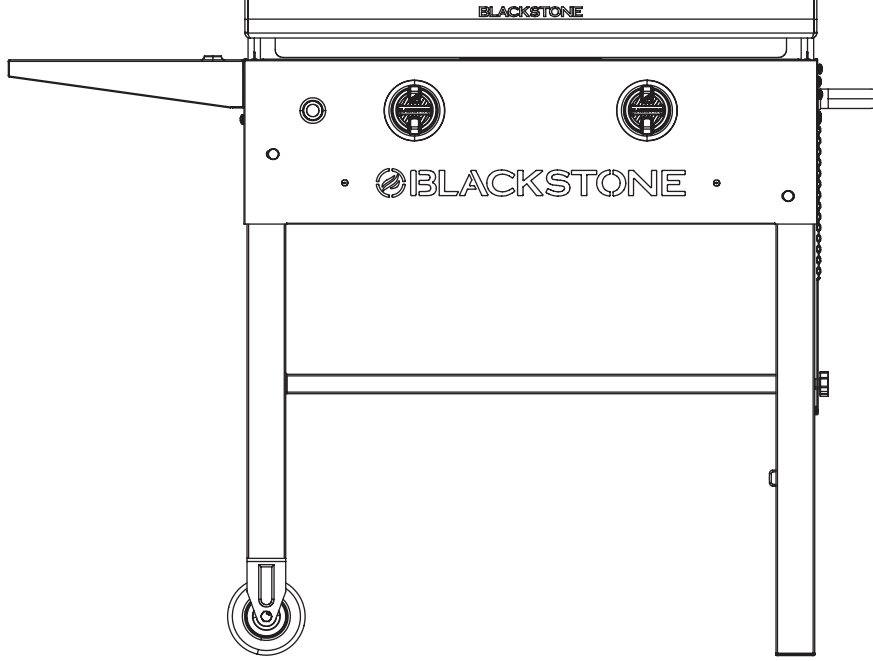
The logo for Blackstone, featuring the word "BLACKSTONE" in a bold, sans-serif font. Above the letter "S" is a stylized flame icon. A registered trademark symbol (®) is located to the right of the word.

This product may be covered by one or more issued U.S. and/or international patents and may include patent applications pending.

For more information, please visit: [BlackstoneProducts.com/patents](https://BlackstoneProducts.com/patents)

TILLVERKARE: NORTH ATLANTIC IMPORTS, LLC 1073 W 1700 N, UT 84321 USA | BLACKSTONE ÄR ETT REGISTRERAT VARUMÄRKE SOM TILLHÖR NORTH ATLANTIC IMPORTS, LLC  
IMPORTERAD AV GRIDDLE MASTERS, NORDRE STRANDVEJ 119, 3150 HELLEBAEK, DANMARK





KULLANIM KILAVUZU | DIŐ MEKAN GAZ CİHAZI İÇİN MONTAJ TALİMATLARI

# 28" TAVA

## İÇİNDEKİLER

ÖNEMLİ GÜVENLİK BİLGİSİ.....	02
GARANTİ .....	03
MONTAJ KILAVUZU.....	04
BLACKSTONE'UNUZU KULLANMA.....	08
SORUN GİDERME.....	14

### ÖNEMLİ:

Sadece açık havada kullanın.

Cihazı kullanmadan önce talimatları okuyun.

Bu kılavuzu ileride başvurmak üzere saklayın.

Montaj veya çalıştırma ile ilgili herhangi bir sorunuz varsa, satıcınıza veya LPG Gaz Şirketine danışın.

### GÜVENLİK UYARI ANAHTARI

#### ⚠ TEHLİKE

Önlenmediği takdirde ölüm veya ciddi yaralanmayla sonuçlanacak tehlikeli bir durumu belirtir.

#### ⚠ DİKKAT

Önlenmediği takdirde küçük veya orta dereceli yaralanmayla sonuçlanabilecek tehlikeli bir durumu belirtir.

#### ⚠ UYARI

Önlenmediği takdirde ölüm veya ciddi yaralanmayla sonuçlanabilecek tehlikeli bir durumu belirtir.

#### DUYURU

Önemli kabul edilen ancak tehlikeyle ilgili olmayan bilgileri gösterir (örn. maddi hasarla ilgili mesajlar).

# ÖNEMLİ GÜVENLİK BİLGİSİ

GÜVENLİĞİNİZ İÇİN	ÖNLEMLER
<p>Gaz kokusu alırsanız:</p> <ol style="list-style-type: none"> <li>1. Gaz silindirindeki gaz beslemesini kapatın.</li> <li>2. Tüm çıplak alevleri söndürün; herhangi bir elektrikli aleti çalıştırmayın.</li> <li>3. Alanı havalandırın.</li> <li>4. Bu kılavuzda ayrıntıları verildiği şekilde sızıntı olup olmadığını kontrol edin.</li> <li>5. Koku devam ederse, derhal bayinize veya gaz tedarikçinize başvurun.</li> </ol>	<ol style="list-style-type: none"> <li>1. Her depo dolumundan sonra tüm bağlantılarda sızıntı testi yapın.</li> <li>2. Sızıntı olup olmadığını asla çıplak alevle kontrol etmeyin, her zaman sabunlu su çözümü kullanın.</li> <li>3. Bu cihazın yakınında benzin veya diğer yanıcı buhar ve sıvıları saklamayın veya kullanmayın.</li> <li>4. Kullanım için bağlı olmayan herhangi bir gaz tüpü, bu veya başka herhangi bir cihazın yakınında saklanmamalıdır.</li> </ol>



## TALİMATLAR DİKKATE ALINMAZSA TEHLİKELİ YANGIN VEYA PATLAMA NEDENİ OLABİLİR.

Cihazın doğru bir şekilde monte edildiğini, kurulduğunu ve bakımının yapıldığını görmek tüketicinin sorumluluğundadır. Bu kılavuzdaki talimatlara uyulmaması, yaralanmaya ve/veya maddi hasara neden olabilir.

MODEL/TIP NO.	2145EU			<b>CE</b> 2531-23	<b>UK</b> <b>CA</b> 8504-23
ISI GİRİŞİ:	2 x 5.0 kW	<b>TOPLAM:</b> 10.0 kW (7271 g/h)			
GAZ KATEGORİSİ:	<b>I3+(28~30/ 37)</b>		<b>I3B/P(30)</b>	<b>I3B/P(50)</b>	
GAZ TÜRLERİ:	Bütan (G30)	Ptropan (G31)	G30, G31 veya bunların karışımları	G30, G31 veya bunların karışımları	
GAZ BASINCI:	(28-30) mbar	37mbar	(28-30) mbar	50 mbar	
PIN KODU:	<b>CE:</b> 2531DN-0117		<b>UKCA:</b> 8504DO-0003	<b>UKCA:</b> 8504DO-0003	
	BE, FR, IT, LU, IE, GB, GR, PT, ES, CY, CZ, LT, CH, SI, LV, TR		LU, NL, DK, FI, SE, CY, CZ, EE, LT, MT, SK, SI, BG, IS, NO, HR, RO, IT, HU, LV, GR	DE, AT, CH, SK	
<b>Sadece açık havada kullanın.</b>					
<b>Cihazı kullanmadan önce talimatları okuyun.</b>					
<b>⚠UYARI: Erişilebilir kısımlar çok sıcak olabilir. Küçük çocukları uzak tutun.</b>					
<b>Bu cihaz kullanım sırasında yanıcı maddelerden uzak tutulmalıdır.</b>					
<b>Kullanım sırasında cihazı hareket ettirmeyin.</b>					
<b>Kullandıktan sonra gaz silindirindeki gaz beslemesini kapatın.</b>					
<b>Cihazda değişiklik yapmayın.</b>					

### REGÜLATÖR VE HORTUM GEREKSİNİMLERİ

- Yalnızca yukarıdaki basınçlarda LP Gazı için onaylanmış regülatörleri ve hortumu kullanın. Kullanılan hortum, kullanıldığı ülke için ilgili standarda uygun olmalıdır.
  - BSEN 12864 veya EN 16129 sertifikalı uygun bir regülatör kullanın. Regülatör ve esnek hortumun yerel yasalara uygun olduğundan emin olun.
  - Esnek hortumun uzunluğu 1,5 m'yi geçmemelidir. Finlandiya'da uzunluk 1,2 m'yi geçmemelidir. Hortum geçerli EN Standardına göre sertifikalandırılmış ve yerel yasalara uygun olmalıdır.
- Gaz silindiri için uygun bir regülatör hakkında bilgi için lütfen LPG bayinize danışın.

### ⚠ UYARI

Yanlış regülatör veya hortumun kullanılması güvenli değildir; Cihazı çalıştırmadan önce her zaman doğru parçaların olup olmadığını kontrol edin.

Bu cihaz, yalnızca esnek bir hortum aracılığıyla uygun düşük basınç regülatörü ile donatılmış düşük basınçlı bütan veya propan gazı veya LPG karışımlarıyla kullanıma uygundur. Regülatör ve hortumun ortalama kullanım ömrü 2 yıl olarak hesaplanmıştır.



# GARANTI

## GARANTİYE GENEL BAKIŞ

Üretici olan North Atlantic Imports, tüm parçaların, işçiliğin ve kaplamaların satın alınmasından itibaren bir yıl garanti verecektir. Yukarıdaki parçalardan herhangi birinin onarılması veya değiştirilmesi üreticinin seçimi olacaktır. Tüm garantiler yalnızca orijinal alıcıyla sınırlıdır. Bu garanti, North Atlantic Imports'un, acentelerinin veya çalışanlarının, garantinin ihlalden kaynaklanan herhangi bir dolaylı veya sonuçsal zarara ilişkin hiçbir sorumluluğunu kapsamaz. Alıcı, üreticinin kullanım talimatlarına uymalıdır.

Üretici, pişirme istasyonunun uygun şekilde çalıştırılmamasından kaynaklanan hasarlardan hiçbir koşulda sorumlu değildir. Orijinal satın alma tarihini orijinal satış fişi ile doğrulayarak garanti süresini belirlemek alıcının sorumluluğundadır.

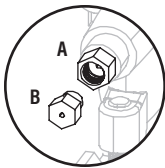
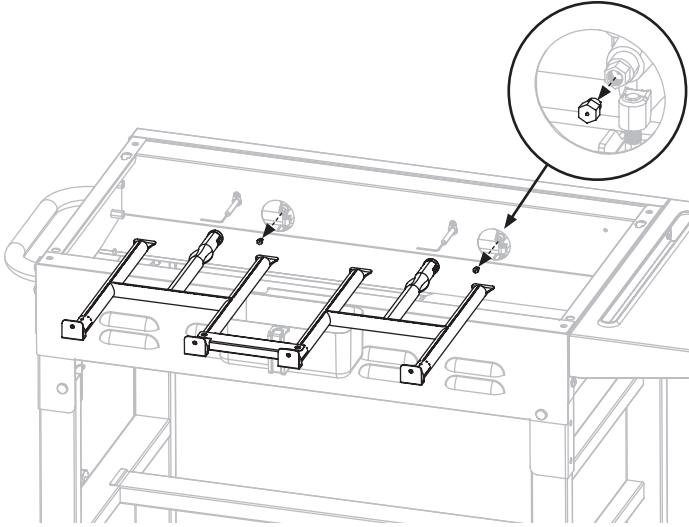
## KABUL EDİLEBİLİR BASINÇ DEĞİŞİKLİĞİ

- Üretici veya temsilcisi tarafından mühürlenmiş parçalar kullanıcı tarafından değiştirilmemelidir.
- BU CIHAZIN hiçbir parçasında değişiklik yapılmamalıdır.
- Tamir ve bakım işlemleri yalnızca kayıtlı bir servis mühendisi tarafından gerçekleştirilmelidir.

Bu değişiklikleri bir uzmana yaptırın.

**ADIM 01** Brülörleri ayırmak için vidaları çıkarın.

**ADIM 02** Düşük basınçlı ülkeler için yakıt memelerini (B) çıkarın. (28-30mbar) (Meme soldan dışlıdır.)



## MEME BOYUTU (AÇIKLIK)

(A) 29mbar (1.08 mm)

(B) 50mbar (1.10 mm)

## AYRINTILI GARANTİ AÇIKLAMASI

North Atlantic Imports LLC, sahibine, bu anlaşmanın kapsadığı ürünün, yalnızca North Atlantic Imports LLC'ye uygun olarak çalıştırıldığı takdirde, normal kullanım ve amaçlanan hizmet kapsamında malzeme ve işçilik kusurları içermediğini garanti eder. Talimatlar yalnızca evde kullanım içindir ve özel veya kamu kulübü, kurumsal veya ticari amaçlar için değildir.

North Atlantic Imports LLC'nin bu garanti kapsamındaki yükümlülüğü, North Atlantic Imports LLC'yi tatmin edecek şekilde, aşağıdaki belirtilen süreler içinde normal ev kullanımı ve servis koşullarında kusurlu olduğu kanıtlanabilecek herhangi bir parça veya parçanın ücretsiz olarak değiştirilmesi veya onarılması ile sınırlıdır. Satın alma tarihinden itibaren geçen süre; satın alma, tüm parçalar, kaplama ve işçilikten itibaren bir yıl boyunca. Yukarıda belirtilen geçerli garanti süreleri içinde bu garantiye uyulmadığı ortaya çıkarsa, orijinal alıcı North Atlantic Imports LLC'ye geçerli garanti süresi içinde garanti ihlalinin bildirmelidir.

North Atlantic Imports LLC bildirimde bulunması ve ilk alıcının bu tür talimatlara uyması üzerine, kusurlu parça veya parçaları onararak veya değiştirerek bu tür uyumsuzlukları düzeltecektir.

Yukarıda belirtilen şekilde düzeltme, ürünün kalitesi ile ilgili olarak North Atlantic Imports LLC'nin tüm yükümlülüklerinin yerine getirilmesi anlamına gelecektir.

North Atlantic Imports LLC, bu ekipmanın herhangi bir eyaletin, belediyenin veya diğer yargı yetkisinin herhangi bir güvenlik kodunun gerekliliklerini karşılayacağını garanti etmez ve ilk alıcı, North Atlantic Imports'a uygun olarak kullanılsın veya kullanılsın, bunların kullanımından kaynaklanan tüm risk ve sorumluluğu üstlenir. LLC talimatları veya başka türlü.

Bu garanti, herhangi bir garantinin ihlali nedeniyle dolaylı veya sonuç olarak ortaya çıkan hasarlar için bu garanti kapsamında veya kanunen ima edilmiş olsun, Kuzey Atlantik'in acenteleri, görevlileri veya çalışanları üzerindeki herhangi bir yükümlülüğü kapsamaz ve hariç tutmayı amaçlar. Alıcı, tarihli satış makbuzunu ibraz ederek orijinal satın alma tarihini doğrulayarak bu garantiye uygun tüm geçerli garanti sürelerini belirlemelidir. Bu garanti, North Atlantic Imports LLC fabrikasının dışında, North Atlantic'in yazılı izni olmadan onarılan veya değiştirilen veya kazaya, ihmale, değişikliğe, kötüye kullanıma veya yanlış kullanıma maruz kalan bu ürün veya başka herhangi bir parçası için geçerli olmayacaktır. Tam üretici garantisi, lisanssız, üçüncü taraf satıcılardan satın alınan, eksik veya hasarlı parçalar nedeniyle indirimli olarak satın alınan veya zemin modeli olarak satın alınan ızgaralar için geçerli değildir; North Atlantic Imports'un takdirine bağlı olarak.

North Atlantic Imports LLC, birlikte verilmeyen aksesuarlar veya parçalarla ilgili olarak hiçbir garanti vermez. Bu garanti yalnızca Avrupa sınırları içinde geçerlidir. Bu garanti ilk alıcıya özel haklar verir ve ilk alıcının eyaletten eyalete değişen başka hakları da olabilir.

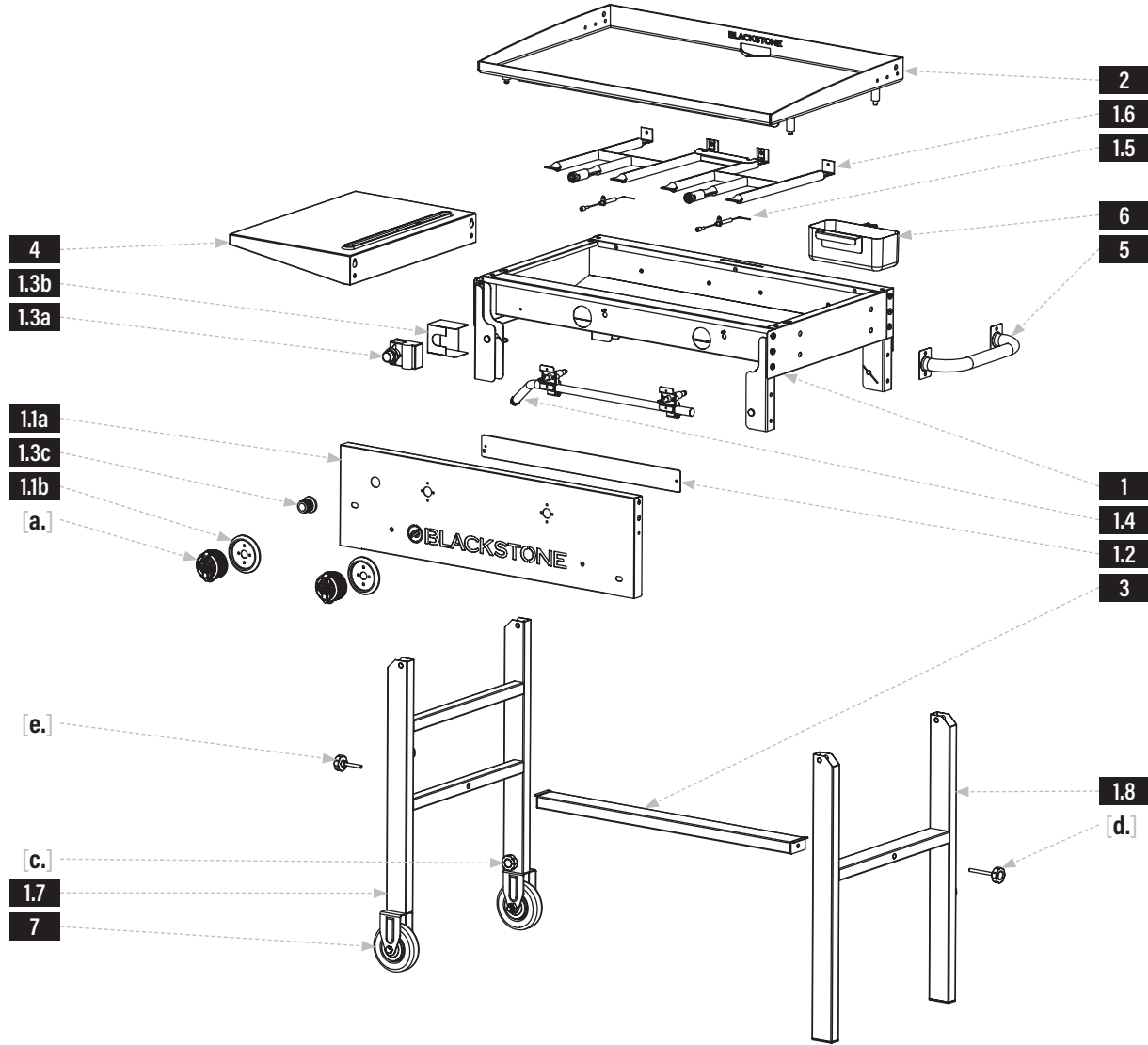
## GARANTİNİZİ ETKİNLEŞTİRİN

Ürününüzü şu adreste kaydedin:

[blackstone-europe.com/pages/product-registration](https://blackstone-europe.com/pages/product-registration)

# MONTAJ KILAVUZU

## PARÇALARINA AYRIŞTIRILMIŞ GÖRÜNÜM



### PARÇA LİSTESİ

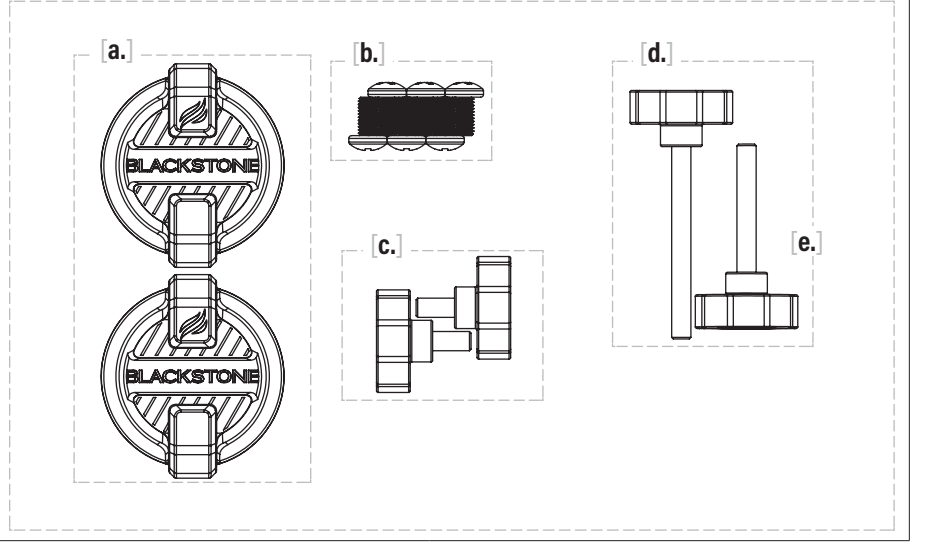
PARÇALAR	#
1.1a Kontrol Paneli	1
1.1b Kontrol düğmesi çerçeveleri	2
1.2 Arka plan paneli	1
1.3a Ateşleyici	1
1.3b Isı kalkanı	1
1.3c Ateşleme düğmesi	1
1.4 Gaz rayı	1
1.5 Ateşleme iğneleri	2
1.6 H Brülörler	2
1.7 Sol bacak montajı	1
1.8 Sağ bacak montajı	1

<b>1</b> Gövde (1 adet) 	<b>2</b> Izgara üstü (1 adet) 
<b>3</b> Bacak desteği (1 adet) 	<b>4</b> Yan raf (1 adet) 
<b>5</b> Yan tutamak (1 adet) 	<b>6</b> Yağ kabı (1 adet) 
<b>7</b> Tekerlekler (2 adet) 	<b>8</b> Hortum ucu (1 adet) 



### 9 Donanım paketi (1 adet)

- a. Kontrol düğmeleri (2 adet)
- b. M6x12 vidalar (2 adet)
- Yedekler (4 adet)
- c. Küçük kelebek vidalar (2 adet)
- d. Büyük kelebek vida (1 adet)
- e. Orta parmaklı vida (1 adet)



## MONTAJ TALIMATLARI

Cihazınızı monte etmek için geniş, temiz bir alan bulun.  
Montajdan önce tüm ambalaj malzemelerini çıkarın.

### ⚠ DİKKAT

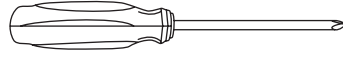
Keskin kenarlar. Montaj sırasında eldiven giyin.

### ⚠ DİKKAT

Ağır parçalar. Bu cihazı iki kişi monte etmelidir.



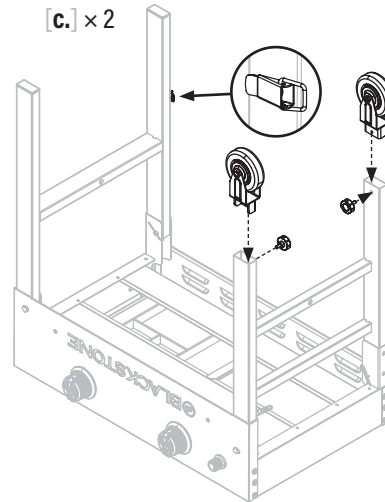
**DAHİL DEĞİL:**  
AA pil



**GEREKİLİ ARAÇ:**  
#3 Yıldız uçlu tornavidalar

**ADIM 01** Başka bir kişinin yardımıyla ızgara gövdesini ambalajından çıkarın ve pürüzsüz, düz bir yüzeye baş aşağı yerleştirin.

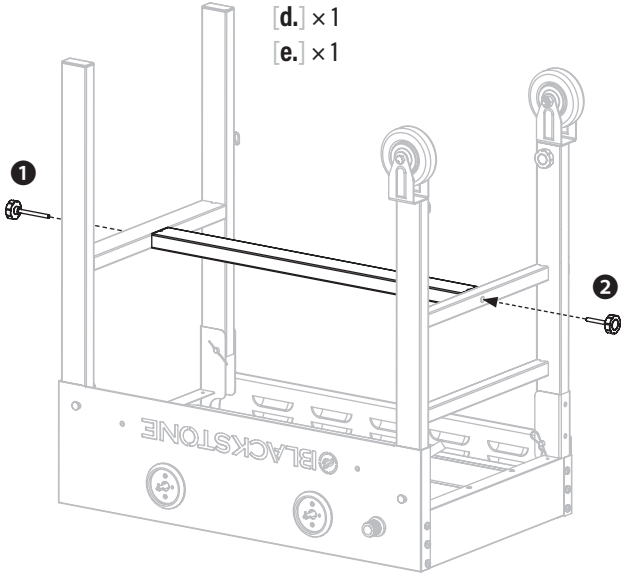
Ayakları dikey konuma getirin ve açın, ardından iki (2) tekerleği sol ayak tertibatının uçlarına takmak için iki (2) küçük kelebek vida [c.] kullanın.



**ADIM 02** ① Bacak desteğini sağ bacak tertibatına takmak için bir (1) büyük kelebek vida [d.] kullanın.

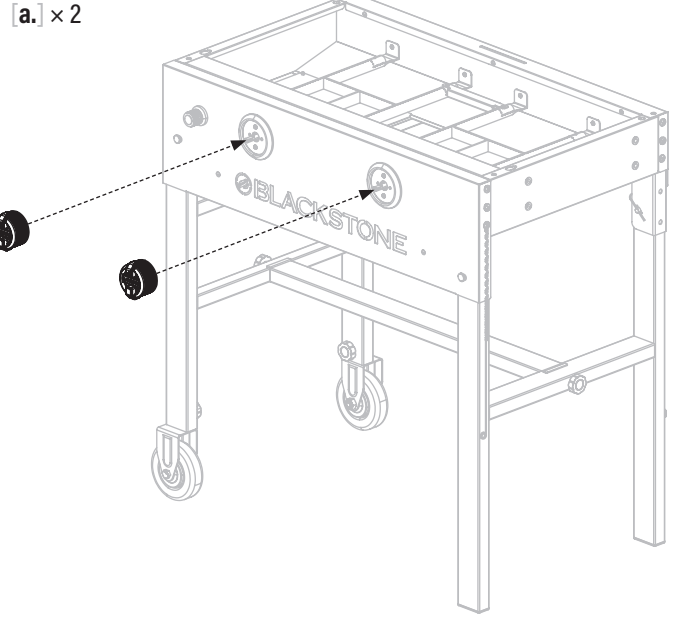
② Bacak desteğini sol bacak tertibatına takmak için bir (1) orta boy vida [e.] kullanın.

**Not:** Bu destek, kullanım sırasında cihazın dengesinin ayrılmaz bir parçasıdır.



**ADIM 03** Başka bir kişinin yardımıyla ızgara gövdesini alın ve tekerlekleri üzerine yerleştirin.

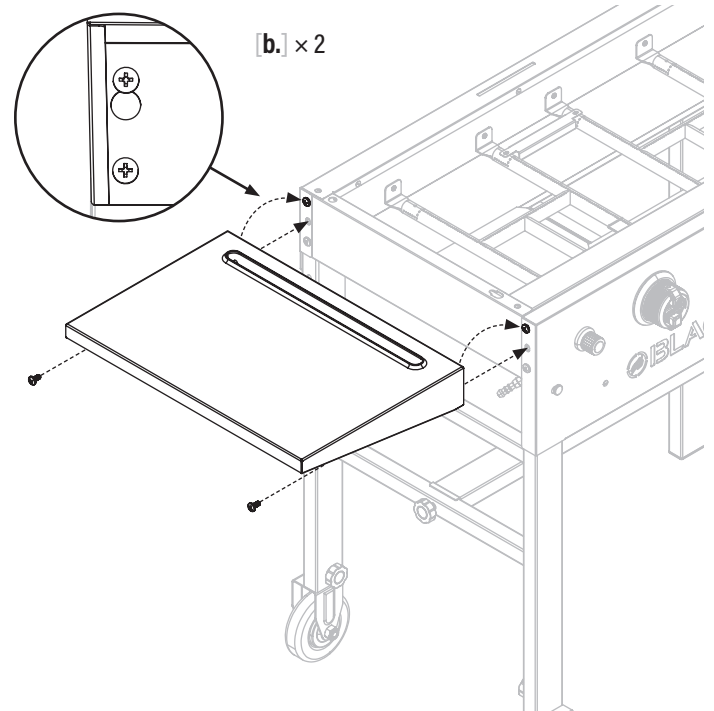
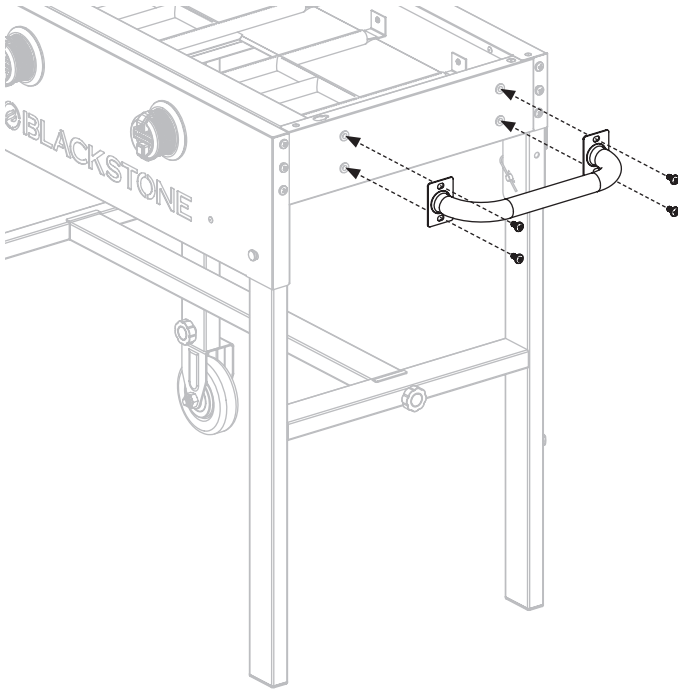
İki (2) kontrol düğmesini [a.] KAPALI konumda yerlerine iterek takın.



**ADIM 04** Yan tutamağı ızgara gövdesine takmak için ızgara gövdesinin sağ tarafındaki önceden takılmış dört (4) vidayı kullanın.

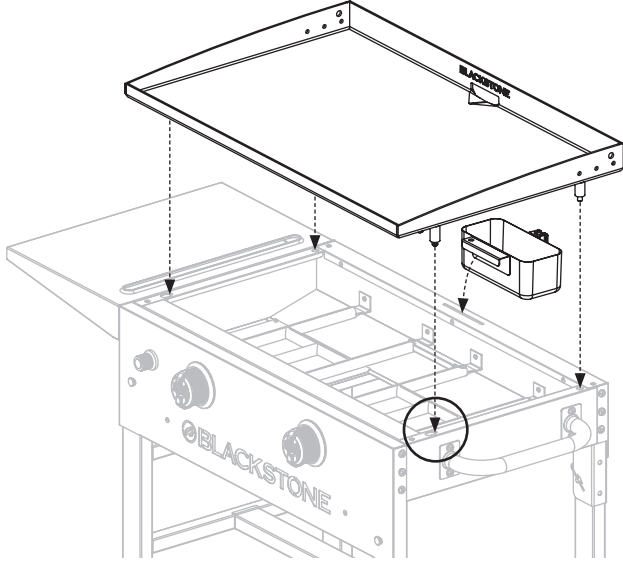
**ADIM 05** Iızgara gövdesinin sol tarafındaki iki (2) M6x12 vidayı gevşetin.

Bir (1) yan rafı bu vidalara asın ve yan rafı ızgara gövdesinin sol tarafına sabitlemek için iki (2) M6x12 vida [b.] kullanın. Dört vidayı da sıkın.

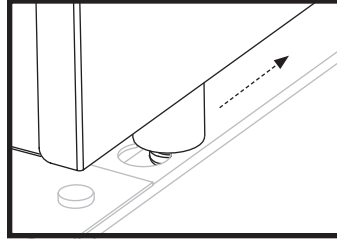




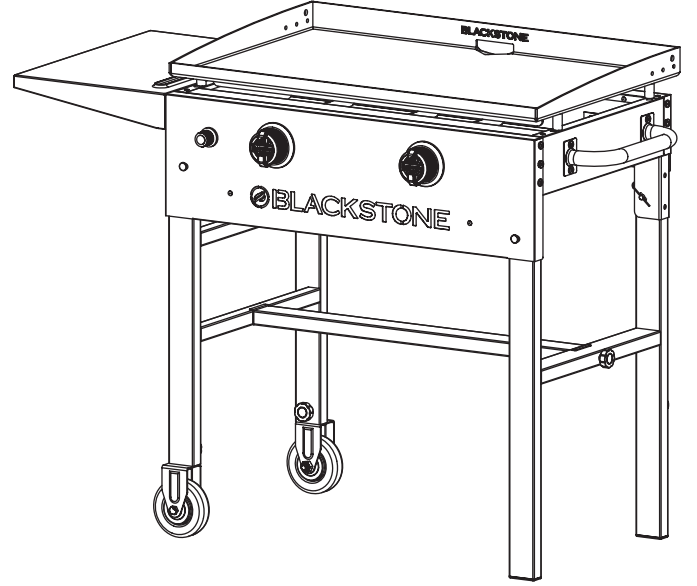
**ADIM 06** Yağ kabını ızgara gövdesinin arkasındaki yuvaya asın.  
Başka bir kişinin yardımıyla ızgara üstünü 4 pimi gövdedeki deliklere hizalayarak ana gövdeye yerleştirin.



Ön pimlerin deliklere oturduğundan emin olun, ardından ızgaranın üst kısmını geriye doğru itin.



**ADIM 07 BLACKSTONE'UNUZU KULLANMAYA** Devam Edin.



#### ⚠ DİKKAT

Cihaz kullanımdayken kulp ısınacaktır.  
Cihaz sıcakken tutamağa dokunmayın.

#### DUYURU

- Yan raftaki maksimum ağırlık 4,5 kg'dır.
- Cihaz kullanımdayken yan raf ısınabilir.

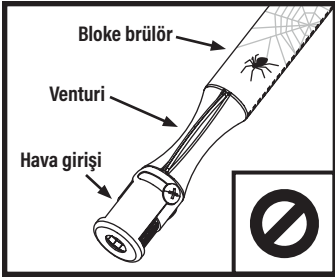
# BLACKSTONE'UNUZU KULLANMA

## PIŞIRMEDEN ÖNCE BRÜLÖRLERİ KONTROL EDİN

Bağlamadan ve kullanımdan önce, gaz silindiri kafası, regülatör, hortum, brülör ve brülör portlarına herhangi bir pislik bulaşmadığından veya hasar görmediğinden emin olun.

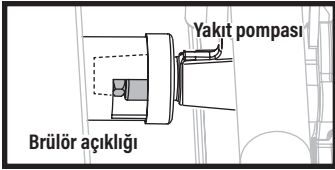
Örümcekler ve böcekler brülör/venturi tüpünün içine yuva yapabilir ve ağızdaki brülör/venturi tüpünü tıkayabilir.

Brülör temizleme talimatları için lütfen Sorun Giderme bölümüne bakın.



### ⚠ UYARI

Tıkanmış bir brülör, cihazın altında yangına neden olabilir. Brülör tıkanıklık bulunduğu anda çıkarılmalı ve temizlenmelidir.



⚠ Gaz rayı yakıt memesi deliğinin brülör açıklığına doğru şekilde geçtiğinden emin olun.

### ⚠ TEHLİKE

Yanıcı maddeler cihazın yakınına konulursa patlayabilir. Cihaz alanını temiz tutun ve yanıcı maddelerden, aerosol kaplarından, benzinden ve diğer yanıcı buhar ve sıvılardan uzak tutun.

**MINIMUM ORTAM ÇALIŞMA SICAKLIĞI 0°F'DİR (-18°C).**

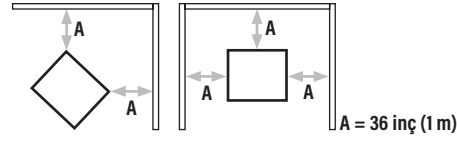
## AÇIK ALANINIZI AYARLAMA

**BU CİHAZ SADECE AÇIK HAVADA KULLANILMALIDIR.**

- BU CİHAZ binaların, garajların veya diğer kapalı alanların içinde kullanmayın.
- BU CİHAZ bir teknenin içine veya üzerine kurmayın.
- BU CİHAZ bir eğlence aracının içine veya üzerine kurmayın.

**YANICI MALZEMEDEN UYGUN MESAFELERİ KORUYUN:**

- BU CİHAZ herhangi bir apartman dairesi veya apartman balkonu veya teras üzerinde veya altında kullanmayın.
- Yanma ve havalandırma havasının akışını engellemeyin.
- BU CİHAZ, cihazın yanlarından ve arkasından 1 m'den (36 inç) daha yakın mesafede çalıştırmayın.

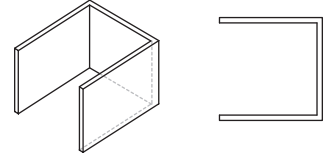


- BU CİHAZ baş üstü yanıcı yapılarda kullanmayın.

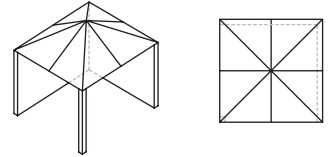
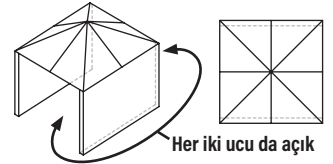
**KORUNAKLI AÇIK ALANLAR:**

Tüm açıklıklar kalıcı olarak açık olmalıdır; sürgülü kapılar, garaj kapıları, pencereler veya perdeli açıklıklar kalıcı açıklıklar olarak kabul edilmez. Bir cihaz, aşağıdakilerden daha fazla kapsayıcı olmayan bir koruma ile monte edilirse, dış mekan olarak kabul edilir:

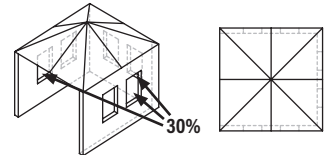
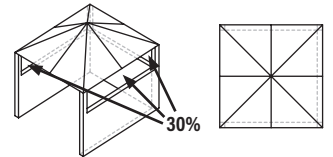
- a. Üç tarafı duvarlı, ancak üst kapağı yok.



- b. Bir havai kapak ve en fazla iki yan duvar içeren kısmi bir muhafaza içinde. Yan duvarlar, bir geçitte olduğu gibi paralel veya birbirine dik açılarda olabilir.



- c. Bir üst kapak ve üç yan duvar içeren kısmi bir muhafaza içinde, muhafazanın yatay çevresinin %30'u veya daha fazlası kalıcı olarak açık olduğu sürece.





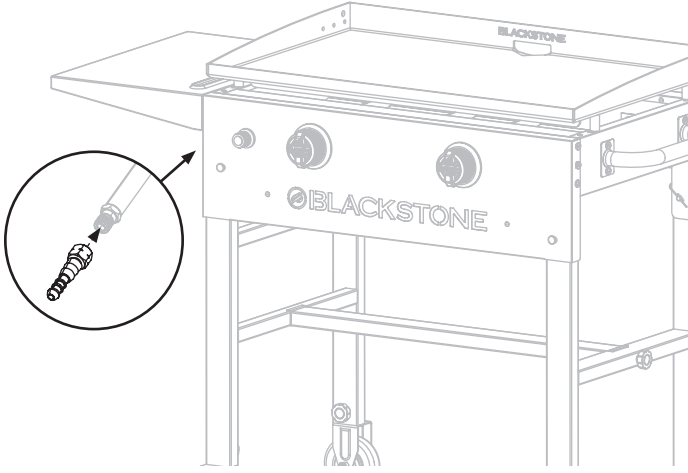


## YAKIT SILİNDİRİNİN TAKILMASI REGÜLATÖRÜN TAKILMASI

**ADIM 01** Regülatör ve hortum cihaza doğru şekilde bağlanmalıdır. Somunu bağlantı dışına sıkmak için bir anahtar kullanılmalıdır.

Bir yakıt kelepçesi kullanıyorsanız, hortumun ucunu gaz rampasına takın.

(Diken soldan dışlıdır.)



**ADIM 02** Hortum değiştirilirse cihaza ve regülatör bağlantılarına hortum kelepçeleri ile sabitlenmelidir.

### CIHAZ KULLANIMDAYKEN ESNEK BORUYU DÖNDÜRMEKTEN KAÇININ.

- Hortumun tıkalı, bükülmemiş veya bağlantı yeri dışında cihazın herhangi bir parçasına temas etmemiş olduğundan emin olun.
- Aşınmış veya hasarlı hortum değiştirilmelidir.
- Hortum tertibatının regülatör ucundaki lastik O-ring'i yılda en az bir kez kontrol edin. Aşınmış veya çatlamış görünüyorsa değiştirin.
- Cihaz kullanılmadığında regülatörü tüpten ayırın (regülatörle birlikte verilen talimatlara göre).

## SIZINTI TESTİ TALİMATLARI

**ADIM 01** Bir ölçü bulaşık deterjanı ile 3 ölçü suyu karıştırarak 2-3 sıvı ons kaçak tespit solüsyonu yapın.

**ADIM 02** Gaz silindiri valfindeki gaz beslemesini kapatın.

**ADIM 03** Kontrol vanasının "KAPALI" olduğundan emin olun.

**ADIM 04** Regülatörü tüpe ve AÇMA/KAPAMA vanasını brülöre bağlayın, bağlantıların sağlam olduğundan emin olun ve ardından gazı açın.

**ADIM 05** Sabunlu suyu hortuma ve tüm ek yerlerine fırçayla sürün. Baloncuklar ortaya çıkarsa, kullanımdan önce düzeltilmesi gereken bir sızıntınız var demektir. Arızayı giderdikten sonra yeniden test edin.

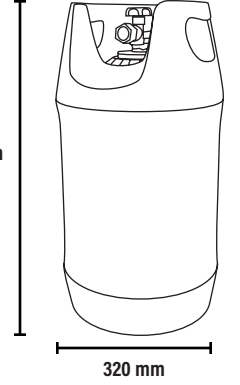
**ADIM 06** Kullandıktan sonra gaz kabındaki gaz beslemesini kapatın.

Sızıntı tekrar tespit edilirse ve giderilemezse, Sızıntıyı gidermeye çalışmayın, gaz satıcınıza danışın.

### LPG TÜP GEREKSİNİMLERİ

- Cihazınız 11 kg ile 15 kg arasındaki gaz tüpleri ile kullanılabilir.
- Gaz silindirin maksimum boyutu şöyle olmalıdır: Çap: 320mm, Yükseklik: 600 mm (regülatör dahil).
- Talimat kılavuzunda belirtilen teknik bilgileri takip edin ve cihazınıza uygun bir gaz tüpü olup olmadığını öğrenmek için yerel gaz tedarikçinizle görüşün.

600 mm



320 mm

### GAZ TÜPÜ GÜVENLİĞİ

- Gaz tüpü düşürülmemeli veya kabaca tutulmamalıdır.
- Cihaz kullanımda değilse, tüpün bağlantısı kesilmelidir.
- Tüpü cihazdan çıkardıktan sonra koruyucu kapağı silindirin üzerine yerleştirin.
- Gaz silindiri, cihazın gövdesinin dışına yerleştirilmelidir.
- Silindiri her zaman iyi havalandırılan bir alanda ve herhangi bir ateşleme kaynağından uzakta, asla alev, kıvılcım veya ısı kaynağının bulunmadığı bir yere bağlayın veya değiştirin.
- Silindirler açık havada dik konumda ve çocukların ulaşamayacağı bir yerde saklanmalıdır. Silindir, sıcaklığın 50°C'nin üzerine çıkabileceği yerlerde asla saklanmamalıdır. Silindiri alevlerin, pilot ışıkların veya diğer tutuşturucu kaynakların yakınında saklamayın. SİGARA İÇME.
- Gaz tüpü bölmesinin (varsa) tıkalı olmadığından emin olun, havalandırın ve temiz tutun.
- Her on yılda bir silindire bakım yaptırmanız veya değiştirmeniz gerektirir. Son servis tarihi şişenin ağzına basılmalıdır.
- Yerde kullanıldığında, cihazı ve silindiri her zaman düz, düz bir zemine yerleştirin.

## ATEŞLEME TALIMATLARI

### 1. ÇEK VALFLER

**ADIM 01** Düğmeyi KAPALI konumuna çevirin.

**ADIM 02** Düğmeye basın ve bırakın. Düğme geri yaylanmalıdır. Düğmeler geri yaylanmazsa, cihazı kullanmadan önce valf grubunu değiştirin.

**ADIM 03** Düğmeyi DÜŞÜK konumuna çevirin ve ardından tekrar KAPALI konumuna getirin. Düğme yumuşak bir şekilde dönmelidir.

#### ⚠ UYARI

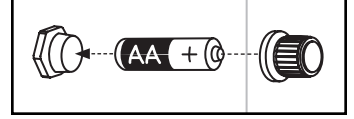
Brülör gaz besleme vanası açıkken ateşlenmezse, gaz brülörden dışarı akmaya devam edecek ve yaralanma riskiyle birlikte kazara/yanlışlıkla tutuşabilir. Cihaz vanalarını kontrol etmeden önce besleme kesme vanasında gazın kapalı olduğundan emin olun.

### 2. AKÜLÜ ATEŞLEME

⚠ Aydınlatma sırasında cihazın üzerine eğilmeyin.

**ADIM 01** Ateşleme düğmesinin altına bir (1) adet AA pil (dahil değildir) yerleştirin.

Düğmeyi pozitif terminalin üzerine vidalayın.



#### ADIM 02

① Kontrol düğmesini KAPALI konumuna getirin.

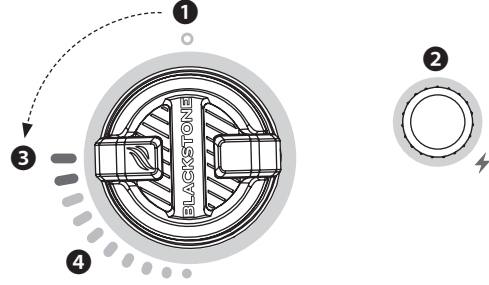
Gaz silindiri çarkını saat yönünün tersine 1 ila 3 tur çevirerek gazı AÇIK konuma getirin.

#### ADIM 03

② Ateşleme düğmesini basılı tutun.

③ Kontrol düğmesini itin ve saat yönünün tersine YÜKSEK konumuna çevirin. (Brülör yandığında ateşleme düğmesini bırakın.)

④ Sıcaklığı istediğiniz seviyeye ayarlayın.

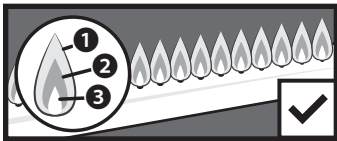


### 3. ALWAYS CHECK BURNER FLAME BEFORE USE.

**ADIM 01** Ocakları yakın ve düğmeleri YÜKSEK'ten DÜŞÜK'e çevirin.

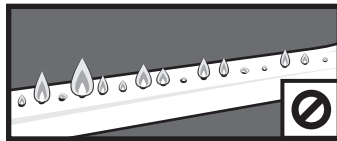
**ADIM 02** Brülörleri görmek için pişirme yüzeyinin altına bakın. Düğme YÜKSEK konumdayken alevler, düğme DÜŞÜK konumdayken olduğundan daha büyük olmalıdır.

#### SAĞLIKLI ALEV DESENİ



① Sarı renkte titremeler. ② Koyu mavi renktedir. ③ Canlı mavi.

#### SARI VEYA DÜZENLİ



Ani düşme veya düşük alev sorunu varsa lütfen Sorun Giderme bölümüne bakın.

### 5 SANIYE İÇERISİNDE ATEŞLEME GERÇEKLEŞMEZSE:

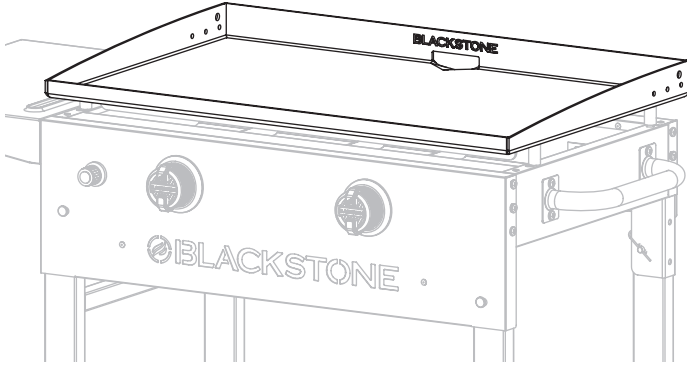
**ADIM 01** Brülör kontrol düğmesini KAPALI konuma getirin.

**ADIM 02** 5 dakika bekle.

**ADIM 03** Aydınlatma prosedürünü tekrarlayın. Brülör ateşlenmezse lütfen Sorun Giderme bölümüne bakın.



## KALBUR BAHARAT TALIMATLARI



### İLK KULLANIMDAN ÖNCE IZGARA ÜSTÜNÜZÜN YIKANMASI

#### DUYURU

Sabun, tecrübeli bir kalbur mahvedecektir. Bu, kalbur pişirme yüzeyinde sabun kullanmanız gereken tek zamandır.

**ADIM 01** Kalburlu pişirme yüzeyini sıcak, sabunlu suyla yıkayın.

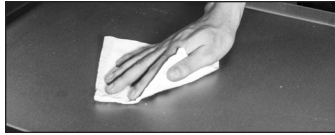
**ADIM 02** Durulayın ve tamamen kurulayın.



#### VIDEO ÖĞRETİCİ

Yeni Bir Blackstone Kalbur Nasıl Sezonlandırılır  
[youtube.com/watch?v=VspmDVnj2pl&t=3s](https://www.youtube.com/watch?v=VspmDVnj2pl&t=3s)

**ADIM 01** Kalbur üstündeki kalıntıları silin.



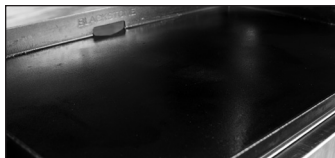
**ADIM 02** Kalburunuzun üst kısmı renk değiştirene kadar kalburunuzu yüksek ısıya ayarlayın. (~10 dk)



**ADIM 03** Bir kağıt havlu veya pamuklu bez tutmak için maşa kullanın ve tüm ızgara üstüne 2-3 yemek kaşığı baharat yağı sürün. Kalburunuzu baharatlarken, ince ve eşit bir yağ tabakası kullanmayı unutmayın; yağ tabakası ne kadar ince olursa, onu yakmak o kadar kolay olur.



**ADIM 04** Izgara üstü, sigara içmeyi bıraktığınızda başka bir yağ tabakası için hazırdır. Adım 03'ü 3-4 kez veya ızgara yüzeyi siyah olana kadar tekrarlayın.



### HANGİ YAĞI KULLANMAK DAHA İYİDİR?

- Blackstone Baharat ve Dökme Demir Saç Kremi.
- Herhangi bir bitki bazlı yemeklik yağ.
- Hiçbir katkı maddesi içermeyen işlenmiş hayvansal yağ.



### BAHARAT SORUN GIDERME

#### KALBUR YÜZEYİNDE KAHVERENGİMSİ BİR KALINTI VAR:

##### OLASI NEDENLER

- Çok fazla yağ kullanılmış.
- Ateşi çok erken kapattın.

##### ÇÖZÜM

**ADIM 01** Kalburunuzu yüksek seviyeye getirin ve 10-15 dakika ısınmasına izin verin.

**ADIM 02** Kalınlaştırılmış ve kısmen pişmiş yağı olabildiğince kazıyın.

**ADIM 03** Çok ince bir yağ tabakasıyla yeniden mevsim yapın.

#### KALBUR YÜZEYİNİN KENARLARI SIYAH DEĞİL:

Kalburunuzu birden fazla aşçı için kullandıktan sonra, baharatlar eşitleyecek ve gelişecektir.

### PAS ÖNLEME

Kalburunuzu sık sık kullanın. Her pişirdiğinizde, paslanma olasılığını azaltan baharat eklersiniz.

#### DUYURU

Nemli veya kıyı ikliminde yaşıyorsanız, ızgaranız kullanımlar arasında daha sık baharat gerektirebilir.

Izgara yüzeyinde pas görülürse, çelik yünü, düşük kumlu zımpara kağıdı veya Blackstone Pomza Taşı ile ovalayın ve yüzeyi yeniden baharatlayın.



#### VIDEO ÖĞRETİCİ

Blackstone Griddle Top'unuzu Kurtarma  
[youtube.com/watch?v=thPE2lgnSil](https://www.youtube.com/watch?v=thPE2lgnSil)



## BLACKSTONE'UNUZDA YEMEK PIŞİRMEK

### ⚠ DİKKAT

Bu cihaz kullanım sırasında ve sonrasında sıcak olacaktır. Yanıklara ve sıçramalara karşı korumak için potansiyel olarak sıcak parçaları tutarken uzun saplı gereçler ve fırın eldiveni/ koruyucu eldiven kullanın.

### ⚠ DİKKAT

Cihazda kağıt havlu tutacağı varsa, cihaz kullanımdayken kol açık konumda olmalıdır.

### DUYURU

Kullanım sırasında pişirme yüzeyinin 3 inç (8 cm) yakınında hiçbir eşya saklamayın.

### VALF, HORTUM VEYA REGÜLATÖR ÜZERİNE GRES VEYA BAŞKA BİR SICAK MALZEME DAMLARSA:

**ADIM 01** Gaz beslemesini hemen kapatın.

**ADIM 02** Nedeni belirleyin ve düzeltin.

**ADIM 03** Valfi, hortumu ve regülatörü temizleyin ve inceleyin.

**ADIM 04** Bir sızıntı testi yapın. (Lütfen Blackstone'unuzu Kullanma konusundaki Sızıntı Testi Talimatlarına başvurun.)

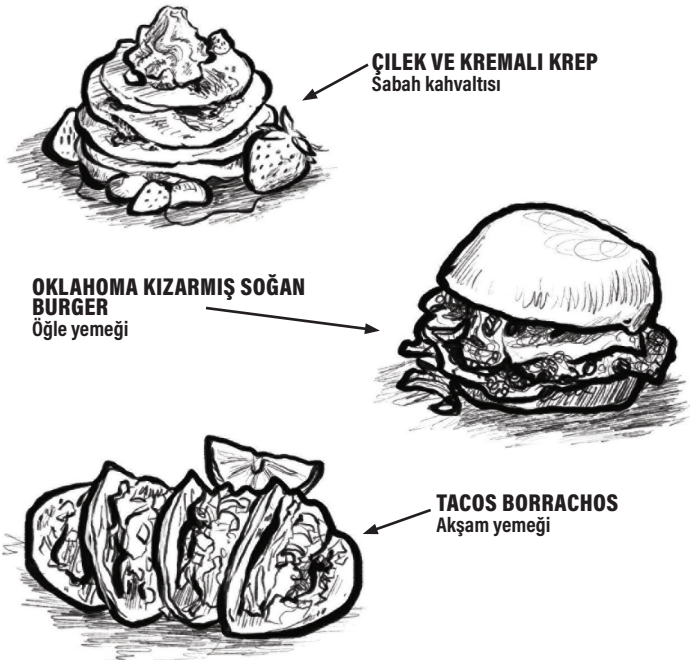
### VIDEO TARIFLARI

Tarifleri ve pişirme ipuçlarını şurada bulabilirsiniz:

[BlackstoneProducts.com/recipes](https://www.blackstoneproducts.com/recipes)

[youtube.com/BlackstoneGriddles](https://www.youtube.com/BlackstoneGriddles)

[f](https://www.facebook.com/blackstoneproducts) [i](https://www.instagram.com/blackstoneproducts) [p](https://www.pinterest.com/blackstoneproducts) @blackstoneproducts



## BAKIM VE BAKIM

### ⚠ UYARI

Yağ birikmesi yangına neden olabilir. Cihazın ısınan ve yağlanan tüm parçalarını her kullanımdan sonra temizleyin.

### ⚠ DİKKAT

Tüm temizlik ve bakım işlemleri, cihaz soğukken ve her şey KAPALI konumdayken yapılmalıdır.

- Grafikli alanlarda aşındırıcı ped kullanmayın.
- Pişirme yüzeylerinden herhangi birini temizlemek için kılı bir fırça kullanılıyorsa, pişirmeden önce pişirme yüzeylerinde gevşek kıl kalmadığından emin olun.

### CIHAZ GÖVDESİ:

Ilık sabunlu suyla yıkayın ve hemen aşındırıcı olmayan bir bezle kurulaştırın. (Temizlik maddelerinin herhangi bir gözenekli yüzeyde uzun süre kalmasına izin vermeyin.)

### DUYURU

Cihaz üzerinde Citrisol, aşındırıcı temizleyiciler veya konsantre temizleyiciler kullanmayın. Bu, parçaların hasar görmesine ve arızalanmasına neden olabilir.

## CIHAZ DEPOLAMA

### ⚠ UYARI

Kullanım sırasında cihazı hareket ettirmeyin. Taşımadan veya saklamadan önce cihazın 115 °F (45°C) sıcaklığa soğumasını bekleyin.

Bir cihazın iç mekanda depolanmasına ancak gaz beslemesinin cihazdan ayrılması ve çıkarılması halinde izin verilir.

### KAPAK SIĞDIRMA KILAVUZU

Açık havada saklandığında cihazınızı daima örtün.



Cihazınıza uygun bir kapak bulmak için [BlackstoneProducts.com/support](https://www.blackstoneproducts.com/support) adresini ziyaret edin.



## IZGARA ÜSTÜNÜZÜ TEMİZLEME

Her kullanımdan sonra ızgara üstünü henüz sıcakken temizleyin.  
- Kalbur üstünde sabun kullanmayın. Bu, ızgaranın baharatını yok edecektir.



### VIDEO ÖĞRETİCİ

Blackstone Kalburunuzu Nasıl Temizlersiniz  
▶ [youtube.com/watch?v=-ledu9z6NPY](https://www.youtube.com/watch?v=-ledu9z6NPY)

**ADIM 01** Gevşek yiyecek artıklarını spatula veya düz metal kazıyıcı ile yağ kabına itin.



**ADIM 02** Izgara üstünü kağıt havluyla silin.



**ADIM 03** Kalbur yüzeyine birkaç yemek kaşığı su uygulayın, ardından suyu ve kalıntıları gres kabına kazıyın.

(Yapışmış yemek artıkları için biraz kaba tuz kullanın.)



**ADIM 04** Kağıt havluyla tekrar silin ve tamamen kurulayın.



**ADIM 05** Baharatı korumak ve ızgara üstünü korumak için ince bir kat yemeklik yağ sürün.



## YAĞ KABINIZI BOŞALTIN

Her kullanımdan sonra gres kabı çıkarılmalı ve boşaltılmalıdır.

### ⚠ DİKKAT

Gres kabı kullanım sırasında ve sonrasında sıcak olacaktır.  
Kalbur tamamen soğuyana kadar gres kabını çıkarmayın.

# SORUN GIDERME

## ATEŞLEME SORUN GIDERME

### BRÜLÖR TUTUŞMAYACAK:

Ateşleme 5 saniye içinde gerçekleşmezse:

**ADIM 01** Brülör kontrol düğmesini KAPALI konuma getirin.

**ADIM 02** 5 dakika bekle.

**ADIM 03** Aydınlatma prosedürünü tekrarlayın.

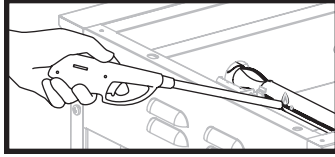
Bu işe yaramazsa, nedenini belirlemek için lütfen cihazınızı bir kibritle ateşlemeyi deneyin.

### MAÇ AYDINLATMA TALIMATLARI

Başlamadan önce gaz kaçağı olup olmadığını kontrol edin. Başlığı açın (varsa).

**ADIM 01** Kontrol düğmesini KAPALI konumuna çevirin.

**ADIM 02** 11 inçten kısa olmayan bir kibrit (veya uzun çakmak) yakın.

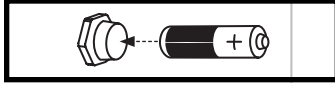
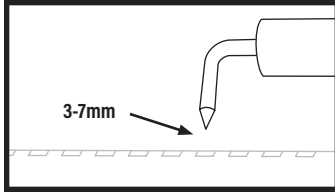


**ADIM 03** Alevi brülörün yanına yerleştirin.

**ADIM 04** Gaz akışını başlatmak için kontrol düğmesini içeri itin ve çevirin. Brülörün yandığından ve yanık kaldığından emin olun.

### CIHAZINIZI KIBRITLE ATEŞLEYEBİLİYORSANIZ:

OLASI NEDENLER	ÇÖZÜM
Ateşleyici kablosu yanlış hizalanmış.	Ateşleme iğnesinin brülör borusundan 3-7 mm uzağa ve bir brülör deliğinin üzerine yerleştirildiğinden emin olun.
Ateşleme sisteminde hasar.	Yedek parçalar için müşteri hizmetlerine başvurun.
Ölü / yanlış takılmış pil.	Yeni pil ile değiştirin.



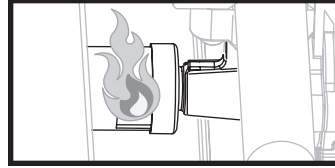
## GAZ AKIŞI SORUN GIDERME

### BRÜLÖR ALEVLERİ SARI VEYA DÜZENSİZ:

- Cihaz yüksek ısı elde etmeyecek veya eşit olmayan şekilde ısıtmayacaktır.
- Brülör alevleri güçlü başlar ve brülör yüksek konuma ayarlandığında bile hemen düşer.
- İkinci bir brülör yandığında alev yüksekliği düşer.
- Alevler brülörün tüm uzunluğu boyunca uzanmaz veya brülörün sadece bir tarafında bulunur.
- Brülör alevleri tutarsız.

OLASI NEDENLER	ÇÖZÜM
Brülör, gaz jetleri veya yakıt rayındaki engeller.	Brülörü, jetleri ve gaz hortumunu temizleyin.
Gaz tüpü boş veya düşük.	Gaz silindiri yeniden doldurun veya değiştirin.

### HAVA KAPISINDAN BİR ALEV ÇIKIYOR:



OLASI NEDENLER	ÇÖZÜM
Brülördeki venturiyi bir şey engelliyor.	Tıkanıklığı gidermek için brülör tertibatını temizleyin.

### CIHAZINIZI KIBRITLE ATEŞLEYEMİYORSANIZ:

OLASI NEDENLER	ÇÖZÜM
Brülör boruları yakıt almıyor.	Tıkanıklığı gidermek için brülör tertibatını temizleyin.



## BRÜLÖR TERTİBATININ TEMİZLENMESİ

"Geri dönüş" olasılığını azaltmak için aşağıdaki prosedür en az ayda bir kez örümceklerin en aktif olduğu zamanlarda veya cihazınız bir süre kullanılmadığında uygulanmalıdır.



### VIDEO ÖĞRETİCİ

Brülör Tüpünüzü Nasıl Temizlersiniz

▶ [youtube.com/watch?v=xKQTCrFCzf8](https://www.youtube.com/watch?v=xKQTCrFCzf8)

**ADIM 01** Hızlı Bağlantı Somununu saat yönünde çevirerek regülatör tertibatını LPG silindirinden ayırın.

- Izgara üstünü çıkarın.
- Brülör klipsini çekerek brülörü çıkarın. Bir tornavida veya iğne uçlu pense kullanın.

**ADIM 02** Brülörü dikkatli bir şekilde yukarı kaldırın ve gaz valfi ağzından uzaklaştırın.

**ADIM 03** Brülörün içini temizleyin:

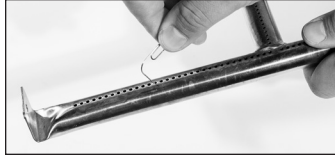
- Her brülör borusundan birkaç kez bir şişe fırçası (tel fırça değil) veya küçük bir kanca şeklinde bükülmüş sert bir tel geçirin.
- Brülör borusundan üflemek ve brülör portlarından dışarı üflemek için basınçlı hava kullanın (Göz koruması takın).



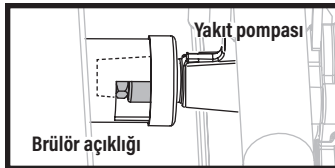
**ADIM 04** Kiri çıkarmak için brülörün tüm dış yüzeyini fırçalayın.



**ADIM 05** Açık bir ataş gibi sert bir telle tıkanmış tüm bağlantı noktalarını temizleyin.



**ADIM 06** Brülörleri dikkatli bir şekilde değiştirin ve ateşleme iğnesinin konumuna dikkat ederek yeniden takın.



⚠ Gaz rayı yakıt nozulu, brülör açıklığına yeniden takılmalıdır.

## MÜŞTERİ DESTEĞİ

Tüm sorular, sorular veya müşteri desteği için lütfen iletişime geçin:

**Griddle Masters Europe ApS**

**Blackstone Europe**

**Tel. +45 2424 7709**

**Nordre Strandvej 119, 3150 Hellebæk**

**Denmark**

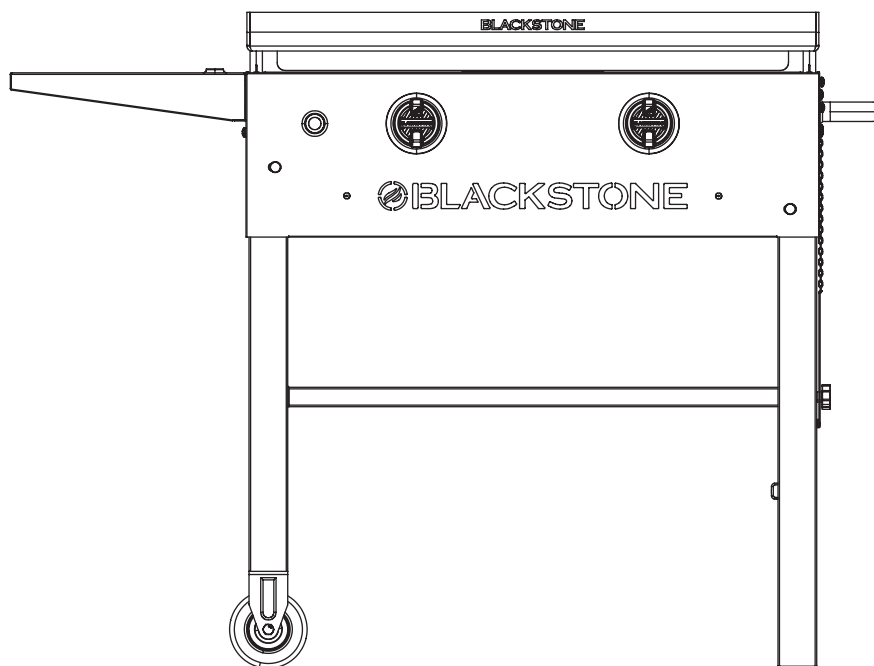
**[www.blackstone-europe.com](http://www.blackstone-europe.com)**

**BLACKSTONE®**

Bu ürün, bir veya daha fazla yayınlanmış ABD ve/veya uluslararası patent kapsamında olabilir ve bekleyen patent başvurularını içerebilir.

Daha fazla bilgi için lütfen şu adresi ziyaret edin:  
[BlackstoneProducts.com/patents](https://BlackstoneProducts.com/patents)





РУКОВОДСТВО ПОЛЬЗОВАТЕЛЯ | ИНСТРУКЦИЯ ПО СБОРКЕ УЛИЧНОГО ГАЗОВОГО ПРИБОРА

# 28" СКОВОРОДКА

## ОГЛАВЛЕНИЕ

ВАЖНАЯ ИНФОРМАЦИЯ О БЕЗОПАСНОСТИ .....	02
ГАРАНТИЯ .....	03
РУКОВОДСТВО ПО СБОРКЕ .....	04
ИСПОЛЬЗОВАНИЕ ВАШЕГО BLACKSTONE .....	08
ИСПРАВЛЕНИЕ ПРОБЛЕМ .....	14

### ВАЖНЫЙ:

Используйте только на открытом воздухе.

Прочтите инструкции перед использованием прибора.

Сохраните это руководство для дальнейшего использования.

Если у вас есть какие-либо вопросы относительно сборки или эксплуатации, обратитесь к своему дилеру или в компанию, занимающуюся сжиженным нефтяным газом.

### КЛЮЧ ПРЕДУПРЕЖДЕНИЯ О БЕЗОПАСНОСТИ

#### ⚠ ОПАСНО

Указывает на опасную ситуацию, которая, если ее не избежать, приведет к смерти или серьезной травме.

#### ⚠ ВНИМАНИЕ

Указывает на опасную ситуацию, которая, если ее не избежать, может привести к травме легкой или средней степени тяжести.

#### ⚠ ОСТОРОЖНО

Указывает на опасную ситуацию, которая, если ее не избежать, может привести к смерти или серьезной травме.

#### УВЕДОМЛЕНИЕ

Обозначает информацию, которая считается важной, но не связанной с опасностью (например, сообщения о материальном ущербе).

## ВАЖНАЯ ИНФОРМАЦИЯ О БЕЗОПАСНОСТИ

### ДЛЯ ВАШЕЙ БЕЗОПАСНОСТИ

- Если вы чувствуете запах газа:
1. Перекрыть подачу газа на газовом баллоне.
  2. Потушите все открытые огни; не пользуйтесь никакими электрическими приборами.
  3. Проветрите помещение.
  4. Проверьте наличие утечек, как описано в этом руководстве.
  5. Если запах сохраняется, немедленно свяжитесь с вашим дилером или поставщиком газа.

### МЕРЫ ПРЕДОСТОРОЖНОСТИ

1. Проверяйте герметичность всех соединений после каждой заправки бака.
2. Никогда не проверяйте наличие утечек открытым огнем, всегда используйте мыльный раствор.
3. Не храните и не используйте бензин или другие легковоспламеняющиеся пары и жидкости вблизи данного прибора.
4. Любой газовый баллон, не подключенный для использования, не должен храниться вблизи этого или любого другого прибора.



### ПРИ НЕОБХОДИМОСТИ ИНСТРУКЦИЙ МОЖЕТ ПОЛУЧИТЬСЯ ОПАСНЫЙ ПОЖАР ИЛИ ВЗРЫВ.

Потребитель несет ответственность за правильную сборку, установку и уход за прибором. Несоблюдение инструкций, содержащихся в данном руководстве, может привести к травмам и/или материальному ущербу.

<b>№ МОДЕЛИ/ТИПА</b>	2145EU			<b>CE</b> 2531-23	<b>UK</b> SA 8504-23
<b>ПОДВОД ТЕПЛА:</b>	2 x 5.0 кВт	<b>ОБЩИЙ:</b> 10.0 кВт (727.1 г/ч)			
<b>КАТЕГОРИЯ ГАЗА:</b>	<b>ИЗ+(28~30/ 37)</b>		<b>ИЗБ/П(30)</b>	<b>ИЗБ/П(50)</b>	
<b>ТИПЫ ГАЗА:</b>	Бутан (G30)	Пропан (G31)	G30, G31 или их смеси	G30, G31 или их смеси	
<b>ДАВЛЕНИЕ ГАЗА:</b>	(28-30) мбар	37мбар	(28-30) мбар	50 мбар	
<b>ПИН-КОД:</b>	<b>СЕ:</b> 2531DN-0117		<b>UKCA:</b> 8504D0-0003	<b>UKCA:</b> 8504D0-0003	
	BE, FR, IT, LU, IE, GB, GR, PT, ES, CY, CZ, LT, CH, SI, LV, TR		LU, NL, DK, FI, SE, CY, CZ, EE, LT, MT, SK, SI, BG, IS, NO, HR, RO, IT, HU, LV, GR	DE, AT, CH, SK	
<b>Используйте только на открытом воздухе.</b>					
<b>Прочтите инструкции перед использованием прибора.</b>					
<b>▲ ПРЕДУПРЕЖДЕНИЕ. Доступные части могут быть очень горячими. Держите маленьких детей подальше.</b>					
<b>Этот прибор должен храниться вдали от легковоспламеняющихся материалов во время использования.</b>					
<b>Не перемещайте прибор во время использования.</b>					
<b>Отключите подачу газа на газовом баллоне после использования.</b>					
<b>Не модифицируйте прибор.</b>					

### ТРЕБОВАНИЯ К РЕГУЛЯТОРУ И ШЛАНГУ

- Используйте только регуляторы и шланги, одобренные для сжиженного нефтяного газа при указанных выше давлениях. Используемый шланг должен соответствовать соответствующему стандарту страны использования.
- Используйте подходящий регулятор, сертифицированный по BSEN 12864 или EN 16129. Убедитесь, что регулятор и гибкий шланг соответствуют местным нормам.
- Длина гибкого шланга не должна превышать 1,5 м. В Финляндии длина не должна превышать 1,2 м. Шланг должен быть сертифицирован в соответствии с применимым стандартом EN и соответствовать местным нормам.

Обратитесь к своему дилеру LPG за информацией о подходящем регуляторе для газового баллона.

### ▲ ОСТОРОЖНО

Использование неправильного регулятора или шланга небезопасно; Всегда проверяйте, что у вас есть нужные предметы, прежде чем приступить к работе с прибором.

Этот прибор подходит только для использования с бутаном или пропаном низкого давления или смесями сжиженного нефтяного газа, оснащенного соответствующим регулятором низкого давления через гибкий шланг. Срок службы регулятора и шланга оценивается в 2 года.



## ГАРАНТИЯ

### ОБЗОР ГАРАНТИИ

Компания North Atlantic Imports, производитель, предоставляет гарантию на один год с момента покупки всех деталей, изготовления и отделки. По выбору производителя, ремонтировать или заменять любой из вышеперечисленных элементов. Все гарантии распространяются только на первоначального покупателя. Эта гарантия не распространяется на какую-либо ответственность со стороны North Atlantic Imports, ее агентов или сотрудников за любые косвенные или косвенные убытки в результате нарушения гарантии. Покупатель должен следовать инструкциям производителя по использованию.

Ни при каких обстоятельствах производитель не несет ответственности за ущерб, причиненный неправильной эксплуатацией варочной станции. Покупатель несет ответственность за установление гарантийного периода путем сверки первоначальной даты покупки с оригинальным товарным чеком.

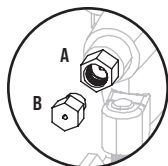
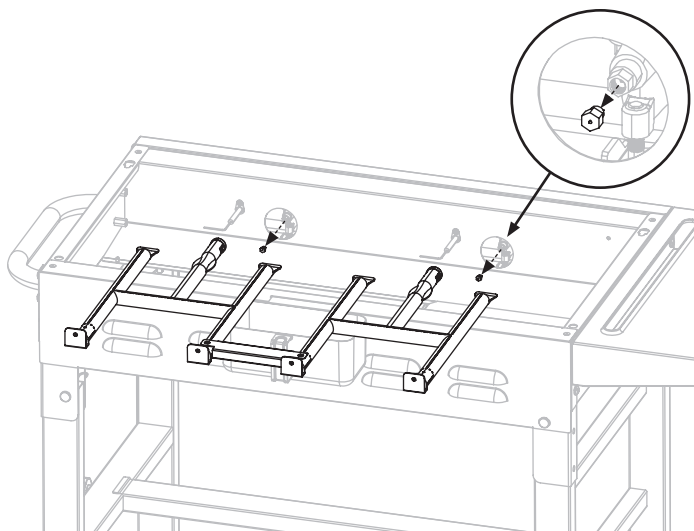
### ДОПУСТИМАЯ МОДИФИКАЦИЯ ДАВЛЕНИЯ

- Детали, запечатанные производителем или его агентом, не должны изменяться пользователем.
- Запрещается вносить какие-либо изменения в какие-либо части этого прибора.
- Ремонт и техническое обслуживание должны выполняться только сертифицированным сервисным инженером.

Попросите профессионала внести эти изменения.

**ШАГ 01** Выверните винты, чтобы отсоединить горелки.

**ШАГ 02** Снимите топливные форсунки (В) для стран с низким давлением. (28-30 мбар) (сопла с левой резьбой).



### РАЗМЕР СОПЛА (ОТВЕРСТИЕ)

(A) 29mbar (1.08 mm)

(B) 50mbar (1.10 mm)

### ПОДРОБНОЕ ОБЪЯСНЕНИЕ ГАРАНТИИ

ООО «Норт Атлантик Импортс» гарантирует владельцу, что продукт, на который распространяется настоящее соглашение, не имеет дефектов материалов и изготовления при нормальном использовании и обслуживании, для которых он был предназначен, но только в том случае, если он эксплуатировался в соответствии с ООО «Норт Атлантик Импортс». инструкции исключительно для домашнего использования, а не для частных или общественных клубов, учреждений или коммерческих целей.

Обязательства North Atlantic Imports LLC по настоящей гарантии ограничиваются заменой или ремонтом бесплатно любой части или частей, которые, к удовлетворению North Atlantic Imports LLC, могут оказаться дефектными при нормальном домашнем использовании и обслуживании в течение следующих указанных периодов. времени с момента покупки; в течение одного года с момента покупки, все детали, отделка и качество изготовления. Если какое-либо несоблюдение этой гарантии станет очевидным в течение применимых гарантийных периодов, указанных выше, первоначальный покупатель должен уведомить North Atlantic Imports LLC о нарушении гарантии в течение применимого гарантийного периода.

Компания North Atlantic Imports LLC после уведомления и соблюдения первоначальным покупателем таких инструкций должна исправить такое несоответствие путем ремонта или замены дефектной детали или деталей.

Исправление в порядке, указанном выше, означает выполнение всех обязательств ООО «Норт Атлантик Импортс» в отношении качества продукта.

ООО «Норт Атлантик Импортс» не гарантирует, что это оборудование соответствует требованиям какого-либо кодекса безопасности любого штата, муниципалитета или другой юрисдикции, и первоначальный покупатель принимает на себя все риски и ответственность, возникающие в результате его использования, независимо от того, используется ли оно в соответствии с нормами «Норт Атлантик Импортс». Инструкции ООО или иным образом.

Настоящая гарантия не распространяется и предназначена для исключения какой-либо ответственности со стороны ее агентов, служащих или сотрудников North Atlantic, будь то в соответствии с настоящей гарантией или подразумеваемой законом, за любые косвенные или косвенные убытки за нарушение какой-либо гарантии. Покупатель должен установить все применимые гарантийные периоды в соответствии с настоящей гарантией, подтвердив первоначальную дату покупки, предъявив товарный чек с датой. Настоящая гарантия не распространяется на этот продукт или любую другую его часть, которая была подвергнута аварии, небрежности, модификации, злоупотреблению или неправильному использованию или которая была отремонтирована или изменена без письменного согласия North Atlantic за пределами завода North Atlantic Imports LLC. Полная гарантия производителя не распространяется на сковородки, приобретенные у нелицензированных сторонних продавцов, приобретенные со скидкой из-за отсутствия или повреждения деталей или приобретенные в виде напольной модели; по усмотрению компании North Atlantic Imports.

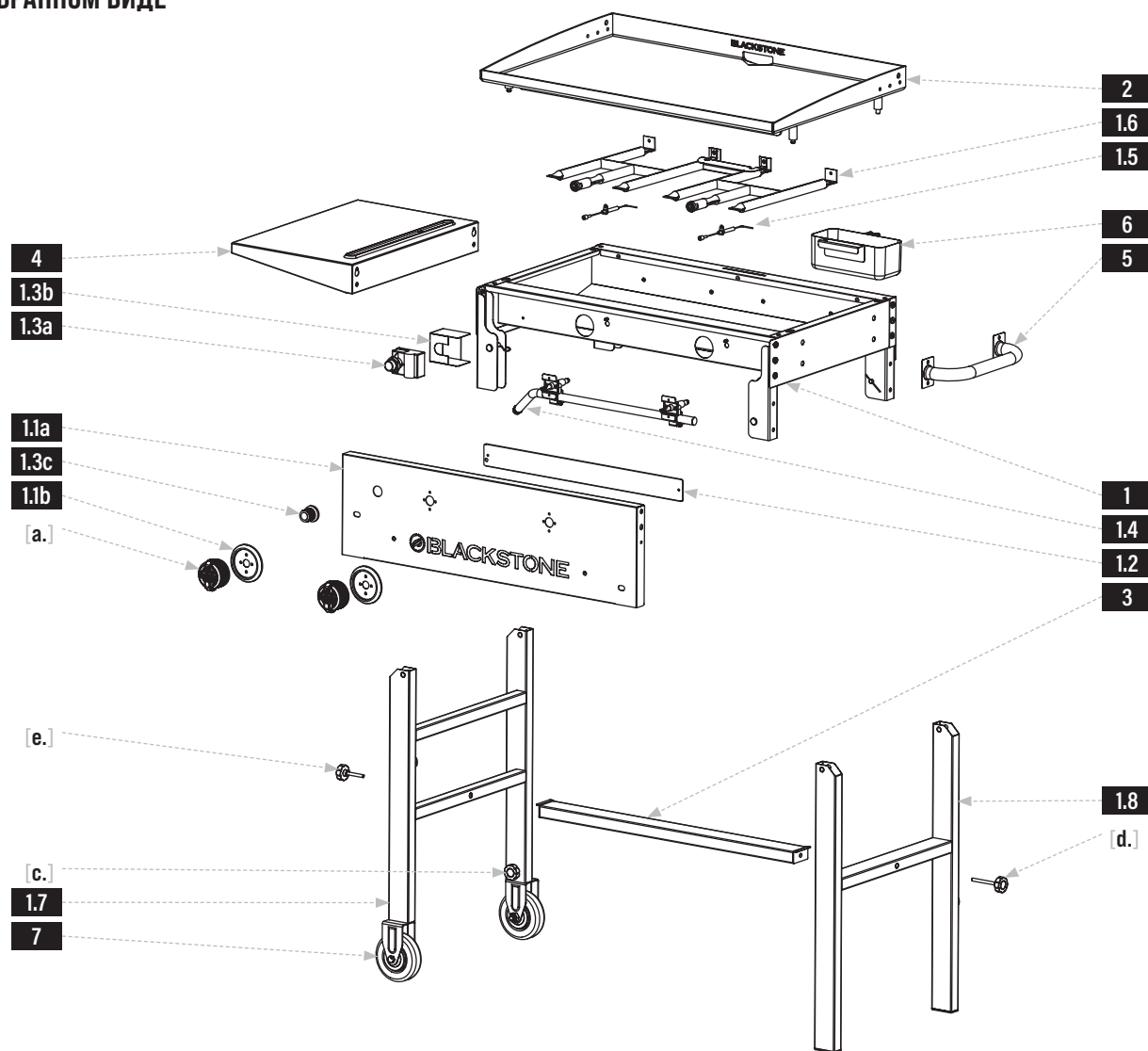
ООО «Норт Атлантик Импортс» не дает никаких гарантий в отношении принадлежностей или деталей, не поставляемых вместе с ним. Настоящая гарантия действует только в пределах Европы. Эта гарантия дает первоначальному покупателю определенные права, и первоначальный покупатель также может иметь другие права, которые различаются в зависимости от штата.

### АКТИВИРУЙТЕ ВАШУ ГАРАНТИЮ

Зарегистрируйте свой продукт по адресу:  
[blackstone-europe.com/pages/product-registration](http://blackstone-europe.com/pages/product-registration)

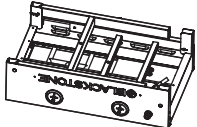


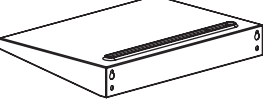
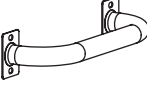
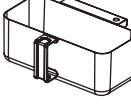

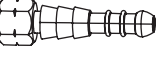
# РУКОВОДСТВО ПО СБОРКЕ

## В РАЗОБРАННОМ ВИДЕ



### СПИСОК ДЕТАЛЕЙ

ЧАСТИ	#
1.1a	1
1.1b	2
1.2	1
1.3a	1
1.3b	1
1.3c	1
1.4	1
1.5	2
1.6	2
1.7	1
1.8	1

<b>1</b> Тело (1 шт.) 	<b>2</b> Верхняя часть гриля (1 шт.) 
<b>3</b> Фиксатор ноги (1 шт.) 	<b>4</b> Боковая полка (1 шт.) 
<b>5</b> Боковая ручка (1 шт.) 	<b>6</b> Чаша для жира (1 шт.) 
<b>7</b> Колеса (2 шт.) 	<b>8</b> Штуцер для шланга (1 шт.) 



**9** Комплект оборудования (1 шт.)

- a. Ручки управления (2 шт.)
- b. Винты M6x12 (2 шт.)  
Запчасти (4 шт.)
- c. Маленькие винты с накатанной головкой (2 шт.)
- d. Большой винт с накатанной головкой (1 шт.)
- e. Винт с накатанной головкой среднего размера (1 шт.)

## РУКОВОДСТВО ПО СБОРКЕ

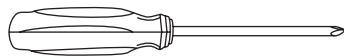
Найдите большое чистое место для сборки прибора.  
Перед сборкой удалите весь упаковочный материал.

**⚠ ВНИМАНИЕ**  
Острые края. При сборке наденьте перчатки.

**⚠ ВНИМАНИЕ**  
Тяжелые куски. Этот прибор должны собирать два человека.

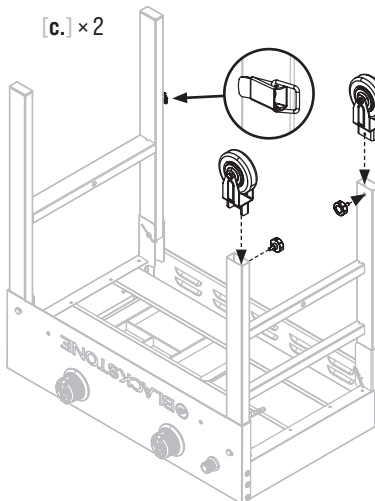


**НЕ ВКЛЮЧЕНО:**  
батарея AA



**НЕОБХОДИМЫЙ ИНСТРУМЕНТ:**  
Крестовая отвертка №3

**ШАГ 01** С помощью другого человека извлеките корпус сковороды из упаковки и положите его вверх дном на ровную ровную поверхность. Разблокируйте и разложите ножки в вертикальное положение, затем с помощью двух (2) маленьких винтов с накатанной головкой [c.] прикрепите два (2) колеса к концам левой ножки в сборе.

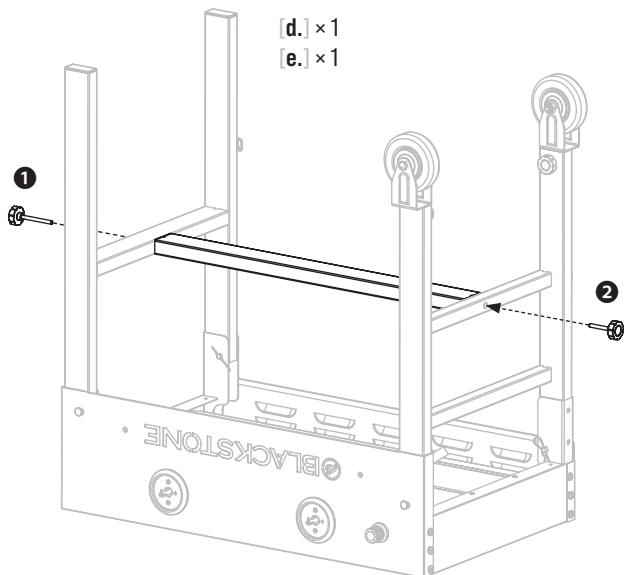




**ШАГ 02** 1 С помощью одного (1) большого винта с накатанной головкой [d.] прикрепите распорку к правой ножке в сборе.

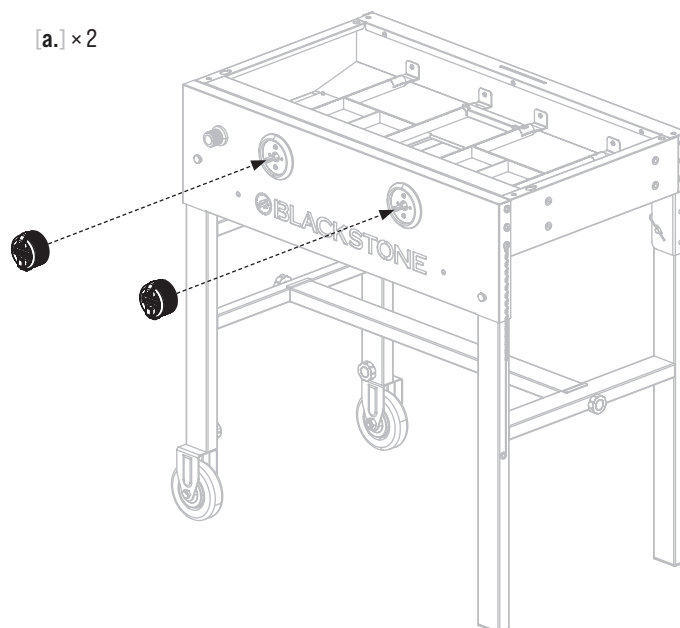
2 Используйте один (1) винт с накатанной головкой среднего размера [e.], чтобы прикрепить распорку к левой ноге в сборе.

**Примечание.** Эта скоба является неотъемлемой частью устойчивости прибора во время использования.

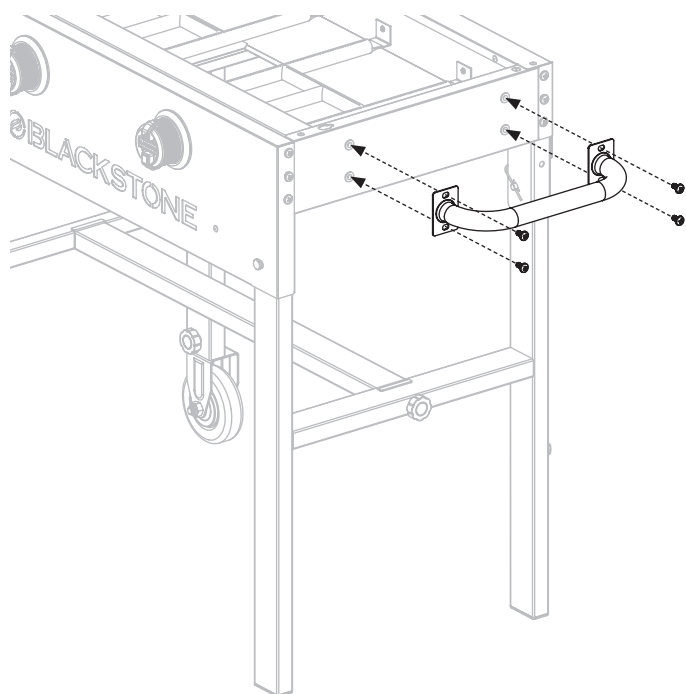


**ШАГ 03** С помощью другого человека поднимите корпус сковороды и установите его на колеса.

Установите две (2) ручки управления [a.], вставив их в положение ВЫКЛ.

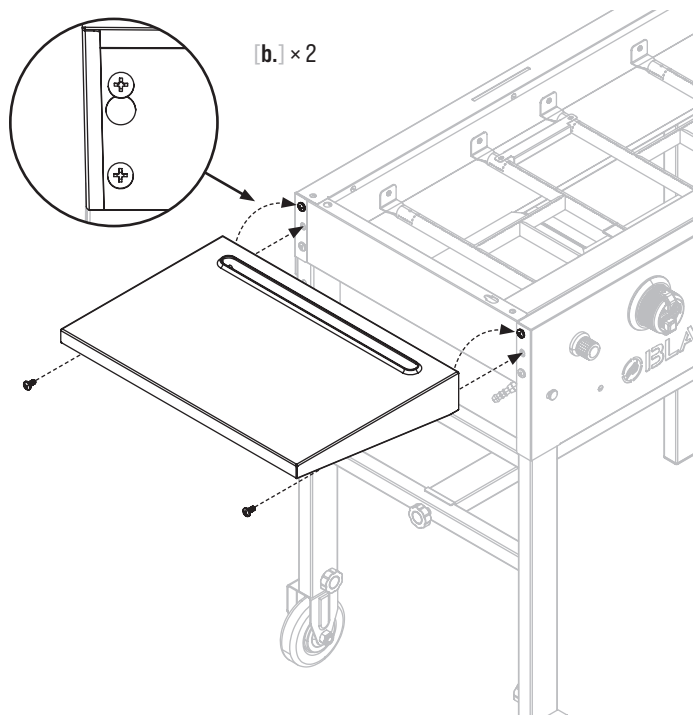


**ШАГ 04** Используйте четыре (4) предустановленных винта с правой стороны корпуса сковороды, чтобы прикрепить боковую ручку к корпусу сковороды.



**ШАГ 05** Ослабьте два (2) винта М6х12 с левой стороны корпуса гриля.

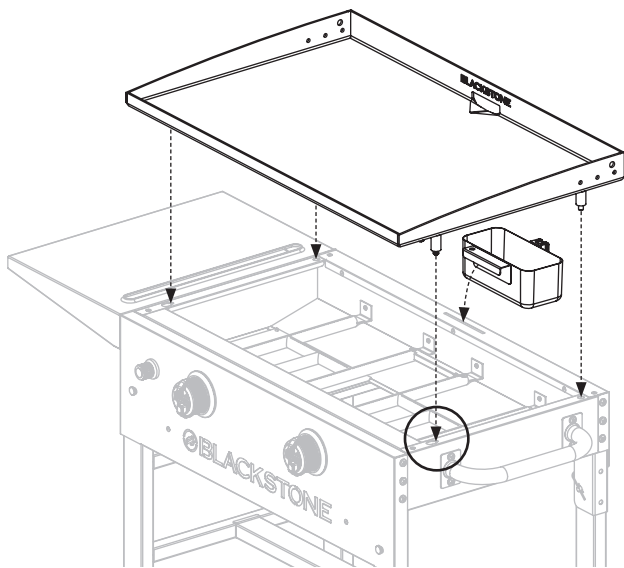
Прикрепите одну (1) боковую полку к этим винтам и используйте два (2) винта М6х12 [b.], чтобы прикрепить боковую полку к левой стороне корпуса гриля. Затяните все четыре винта.



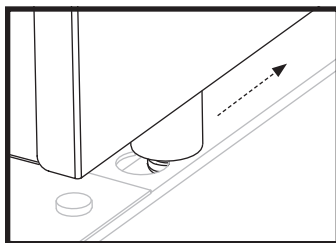


**ШАГ 06** Повесьте чашу для жира в прорезь в задней части корпуса сковороды.

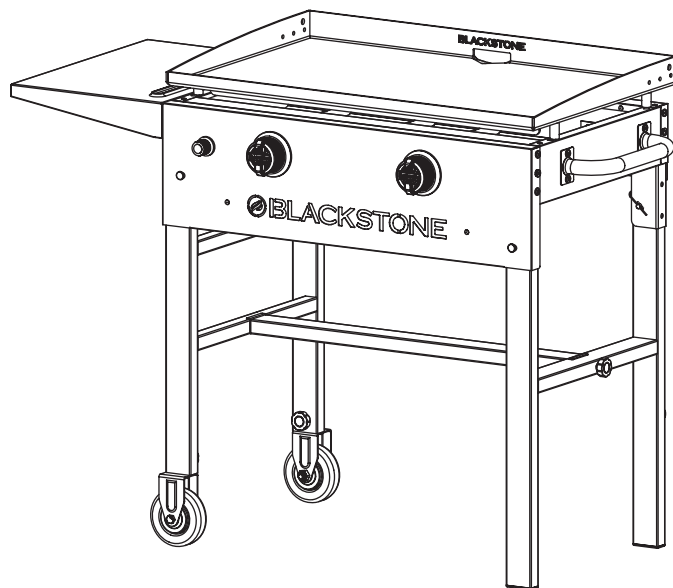
**С помощью другого человека** поместите верхнюю часть сковороды на основной корпус, совместив 4 штифта с отверстиями на корпусе.



Убедитесь, что передние штифты вошли в отверстия, затем задвиньте верхнюю часть сковороды назад.



**ШАГ 07** Перейдите к **ИСПОЛЬЗОВАНИЕ ВАШЕГО BLACKSTONE.**



#### **⚠ ВНИМАНИЕ**

Ручка нагревается во время использования прибора.  
Не прикасайтесь к ручке, пока прибор горячий.

#### **УВЕДОМЛЕНИЕ**

- Максимальный вес на боковой полке составляет 4,5 кг.
- Боковая полка может нагреваться во время использования прибора.

# ИСПОЛЬЗОВАНИЕ ВАШЕГО BLACKSTONE

## ПЕРЕД ПРИГОТОВЛЕНИЕМ ПРОВЕРИТЬ ГОРЕЛКИ

Перед подключением и использованием убедитесь, что в головке газового баллона, регуляторе, шланге, горелке и портах горелки нет мусора или повреждений.

Пауки и насекомые могут гнездиться внутри и закупоривать горелку/трубку Вентури на отверстиях.

Инструкции по очистке горелки см. в главе «Поиск и устранение неисправностей».



**⚠ ОСТОРОЖНО**  
Забитая горелка может привести к возгоранию под прибором.  
При обнаружении засоров горелку следует снимать и очищать.



**⚠** Убедитесь, что отверстие топливной форсунки газовой рампы правильно входит в отверстие горелки.

**⚠ ОПАСНО**  
Легковоспламеняющиеся предметы могут воспламениться, если их поместить рядом с прибором.  
Содержите зону прибора чистой и свободной от горючих материалов, аэрозольных баллончиков, бензина и других легковоспламеняющихся паров и жидкостей.

МИНИМАЛЬНАЯ РАБОЧАЯ ТЕМПЕРАТУРА ОКРУЖАЮЩЕЙ СРЕДЫ СОСТАВЛЯЕТ 0°F (-18°C).

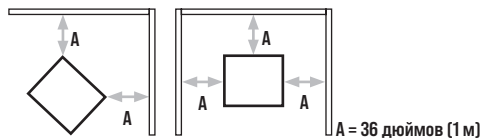
## ОБУСТРОЙСТВО ВАШЕГО ОТКРЫТОГО ПРОСТРАНСТВА

**ЭТОТ ПРИБОР ДОЛЖЕН ИСПОЛЬЗОВАТЬСЯ ТОЛЬКО НА ОТКРЫТОМ ВОЗДУХЕ.**

- Не используйте этот прибор внутри зданий, гаражей или любых других закрытых помещений.
- Не устанавливайте этот прибор на лодке или на ней.
- Не устанавливайте это устройство в транспортное средство для отдыха или на него.

### СОБЛЮДАЙТЕ НАДЛЕЖАЩИЕ РАССТОЯНИЯ ОТ ГОРЮЧИХ МАТЕРИАЛОВ:

- Не используйте этот прибор на балконе или террасе квартиры или многоквартирного дома или под ними.
- Не препятствуйте потоку воздуха для горения и вентиляции.
- Не используйте этот прибор ближе, чем на расстоянии 36 дюймов (1 м) от боковых и задней сторон прибора.



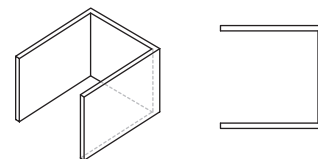
- Не используйте этот прибор под возгораемой конструкцией над головой.

### КРЫТЫЕ ОТКРЫТЫЕ ПЛОЩАДКИ:

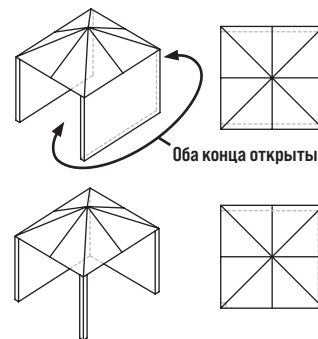
Все отверстия должны быть постоянно открыты; раздвижные двери, гаражные ворота, окна или застекленные проемы не считаются постоянными проемами.

Прибор считается находящимся вне помещения, если он установлен с укрытием не более чем:

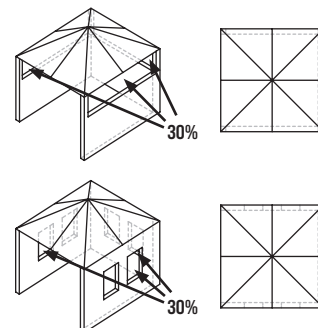
- a. Со стенами с трех сторон, но без перекрытия.



- b. Внутри частичного ограждения, включающего верхнюю крышку и не более двух боковых стенок. Боковые стенки могут быть параллельны, как в подворотне, или под прямым углом друг к другу.



- c. В частичном ограждении, которое включает верхнюю крышку и три боковые стенки, при условии, что 30% или более горизонтальной периферии ограждения постоянно открыты.





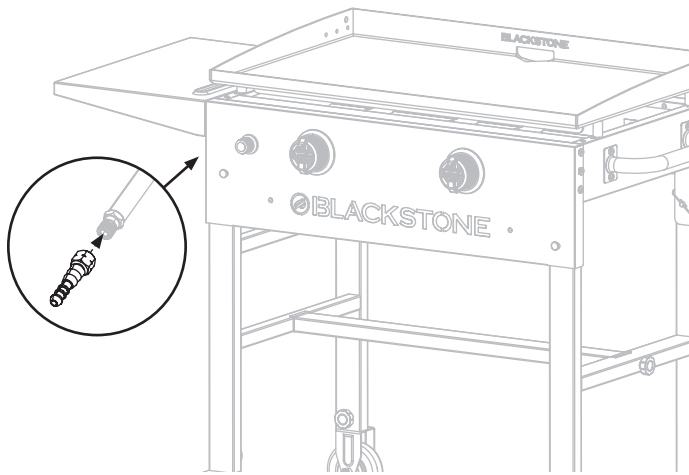


## КРЕПЛЕНИЕ ТОПЛИВНОГО БАЛЛОНА УСТАНОВКА РЕГУЛЯТОРА

**ШАГ 01** Регулятор и шланг должны быть правильно подключены к прибору. Для затягивания гайки на соединительной резьбе необходимо использовать гаечный ключ.

При использовании топливного хомута прикрепите наконечник шланга к газовой рампе.

(Барб – это левая резьба.)



**ШАГ 02** Если шланг заменяется, его необходимо закрепить на соединениях прибора и регулятора с помощью хомутов.

**НЕ СКРУЧИВАЙТЕ ГИБКУЮ ТРУБКУ ВО ВРЕМЯ ИСПОЛЬЗОВАНИЯ ПРИБОРА.**

- Убедитесь, что шланг не пережат, не перекручен и не соприкасается с какой-либо частью прибора, кроме места соединения.
- Изношенный или поврежденный шланг необходимо заменить.
- Не реже одного раза в год проверяйте резиновое уплотнительное кольцо на конце шланга в сборе со стороны регулятора. Если он выглядит изношенным или треснувшим, замените его.
- Отсоединяйте регулятор от баллона (в соответствии с инструкциями, прилагаемыми к регулятору), когда прибор не используется.

## ИНСТРУКЦИИ ПО ТЕСТИРОВАНИЮ НА УТЕЧКУ

**ШАГ 01** Приготовьте 2-3 жидких унции раствора для обнаружения утечек, смешав одну часть жидкости для мытья посуды с 3 частями воды.

**ШАГ 02** Перекрыть подачу газа краном газового баллона.

**ШАГ 03** Убедитесь, что регулирующий клапан находится в положении «ВЫКЛ.».

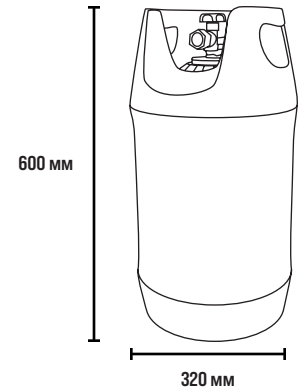
**ШАГ 04** Подсоедините регулятор к баллону и клапан ВКЛ/ВЫКЛ к горелке, убедитесь, что соединения надежны, затем включите газ.

**ШАГ 05** Нанесите мыльную воду на шланг и все соединения. Если появляются пузырьки, значит, имеется утечка, которую необходимо устранить перед использованием. Повторите проверку после устранения неисправности.

**ШАГ 06** Отключите подачу газа на газовом баллоне после использования. Если утечка обнаружена снова и не может быть устранена, не пытайтесь устранить утечку, а обратитесь к своему дилеру по продаже газа.

## ТРЕБОВАНИЯ К ГАЗОВОМУ БАЛЛОНУ

- Ваш прибор можно использовать с газовыми баллонами весом от 11 до 15 кг.
- Максимальный размер газового баллона должен быть: диам. 320 мм, высота: 600 мм (регулятор в комплекте).
- Следуйте технической информации, указанной в руководстве по эксплуатации, и узнайте у местного поставщика газа, есть ли подходящий газовый баллон для вашего прибора.



## БЕЗОПАСНОСТЬ ГАЗОВОГО БАЛЛОНА

- Газовый баллон нельзя ронять или обращаться с ним грубо.
- Если прибор не используется, баллон необходимо отсоединить.
- Наденьте защитный колпачок на цилиндр после отсоединения цилиндра от прибора.
- Газовый баллон должен располагаться вне корпуса прибора.
- Всегда подключайте или заменяйте баллон в хорошо проветриваемом помещении и вдали от любого источника воспламенения, никогда в присутствии пламени, искры или источника тепла.
- Баллоны должны храниться на открытом воздухе в вертикальном положении и в недоступном для детей месте. Баллон ни в коем случае нельзя хранить при температуре выше 50 °С. Не храните баллон рядом с пламенем, сигнальными лампами или другими источниками воспламенения. НЕ КУРИТЬ.
- Следите за тем, чтобы отделение для газового баллона (если оно имеется) не было загромождено, содержало его в чистоте и проветривалось.
- Вам нужно будет обслуживать или заменять цилиндр каждые десять лет. Дата последнего обслуживания должна быть проштампована на горлышке флакона.
- При использовании на земле всегда устанавливайте прибор и цилиндр на ровной поверхности.

## ИНСТРУКЦИИ ПО ЗАЖИГАНИЮ

### 1. ОБРАТНЫЕ КЛАПАНЫ

**ШАГ 01** Поверните ручку в положение ВЫКЛ.

**ШАГ 02** Нажмите на ручку и отпустите. Ручка должна пружинить.

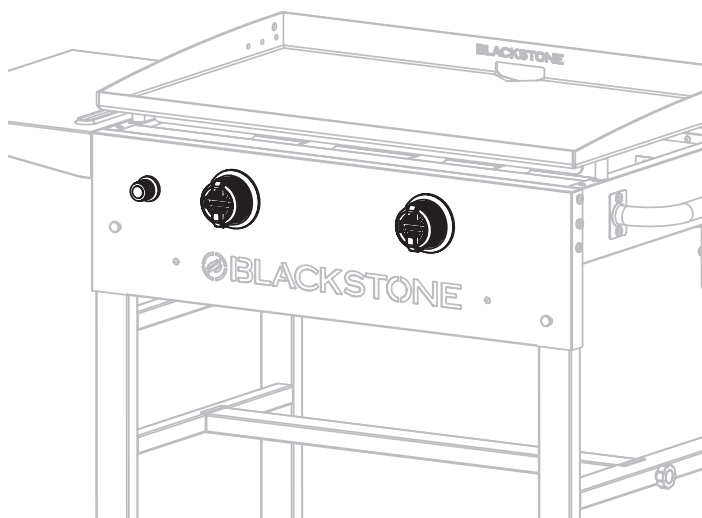
Если ручки не отпружинивают, замените клапан в сборе перед использованием прибора.

**ШАГ 03** Поверните ручку в положение LOW, а затем снова в положение OFF. Ручка должна вращаться плавно.

#### ⚠ ОСТОРОЖНО

Если горелка не зажигается при открытом клапане подачи газа, газ будет продолжать вытекать из горелки и может случайно/непреднамеренно воспламениться с риском получения травмы.

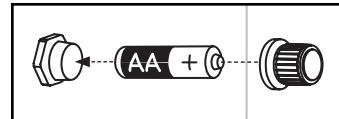
Прежде чем проверять клапаны прибора, убедитесь, что подача газа отключена через запорный клапан подачи.



### 2. ЗАЖИГАНИЕ НА БАТАРЕЙКАХ

⚠ Не наклоняйтесь над прибором во время зажигания.

**ШАГ 01** Вставьте одну (1) батарейку AA (не входит в комплект) под кнопку зажигания. Закрутите кнопку на место над плюсовой клеммой.



**ШАГ 02**

1 Поверните ручку управления в положение OFF.

Включите подачу газа, повернув маховик газового баллона против часовой стрелки на 1-3 оборота.

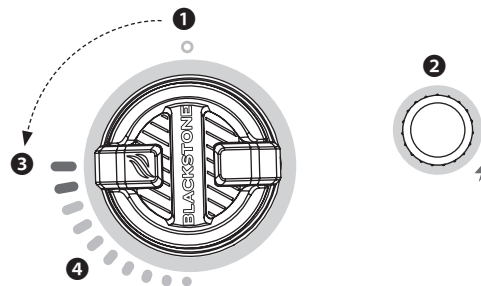
**ШАГ 03**

2 Нажмите и удерживайте кнопку зажигания.

3 Нажмите и поверните ручку управления против часовой стрелки в положение ВЫСОКИЙ.

(Отпустите кнопку зажигания, когда горелка загорится.)

4 Отрегулируйте температуру до желаемого уровня.

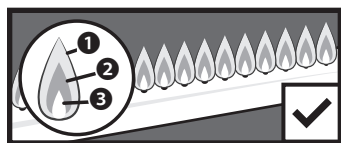


### 3. ВСЕГДА ПРОВЕРЯЙТЕ ПЛАМЯ ГОРЕЛКИ ПЕРЕД ИСПОЛЬЗОВАНИЕМ.

**ШАГ 01** Зажгите конфорки и поверните ручки от ВЫСОКОГО до НИЗКОГО.

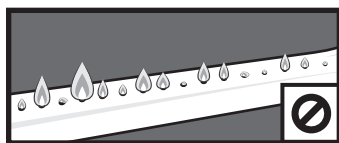
**ШАГ 02** Посмотрите под варочную поверхность, чтобы увидеть горелки. Когда ручка находится в положении HIGH, пламя должно быть больше, чем когда ручка находится в положении LOW.

#### ЗДОРОВЫЙ ОБРАЗЕЦ ПЛАМЕНИ



1 Мерцания желтого цвета. 2 Темно-синий цвет. 3 Яркий синий.

#### ЖЕЛТЫЙ ИЛИ НЕРЕГУЛЯРНЫЙ



Если возникло внезапное падение пламени или проблема с низким уровнем пламени, обратитесь к главе «Устранение неполадок».

#### ЕСЛИ ЗАЖИГАНИЕ НЕ ПРОИСХОДИТ В ТЕЧЕНИЕ 5 СЕКУНД:

**ШАГ 01** Выключите ручку управления горелкой.

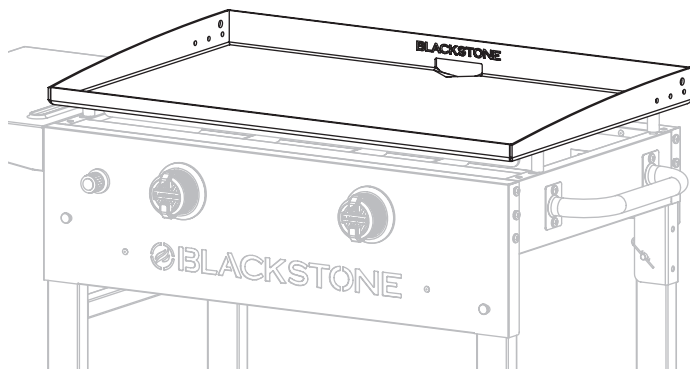
**ШАГ 02** Подожди 5 минут.

**ШАГ 03** Повторите процедуру освещения.

Если горелка не зажигается, обратитесь к главе «Устранение неполадок».



## ИНСТРУКЦИИ ПО ПРИПРАВЕ СКОВОРОДЫ



### МЫТЬЕ СКОВОРОДЫ ПЕРЕД ПЕРВЫМ ИСПОЛЬЗОВАНИЕМ

#### УВЕДОМЛЕНИЕ

Мыло испортит приправленную сковороду. Это единственный раз, когда вы должны использовать мыло на варочной поверхности сковороды.

**ШАГ 01** Вымойте варочную поверхность сковороды горячей водой с мылом.

**ШАГ 02** Промойте и полностью высушите.



#### ВИДЕОУРОК

Как приправить новую сковороду Blackstone Griddle  
[youtube.com/watch?v=VspmDVnj2pl&t=3s](https://www.youtube.com/watch?v=VspmDVnj2pl&t=3s)

**ШАГ 01** Сотрите весь мусор с верхней части сковороды.



**ШАГ 02** Установите сковороду на сильный огонь, пока верхняя часть сковороды не изменит цвет. (~10 мин)

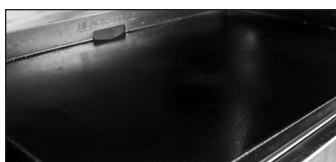


**ШАГ 03** Возьмите щипцами бумажное полотенце или хлопчатобумажную ткань и распределите 2-3 столовые ложки приправы по всей поверхности сковороды. Приправляя поверхность сковороды, не забудьте использовать тонкий и ровный слой масла — чем тоньше слой масла, тем легче его будет сжечь.



**ШАГ 04** Верх сковороды готов к нанесению еще одного слоя масла,

когда перестанет дымиться. Повторите **ШАГ 03** 3-4 раза или пока поверхность сковороды не станет черной.



### КАКОЕ МАСЛО ЛУЧШЕ ИСПОЛЬЗОВАТЬ?

- Приправа Blackstone и кондиционер Cast Iron.
- Любое растительное растительное масло.
- Жир животный топленый без добавок.



### УСТРАНЕНИЕ НЕПОЛАДОК С ПРИПРАВАМИ

НА ПОВЕРХНОСТИ СКОВОРОДЫ ОСТАЕТСЯ КОРИЧНЕВАТЫЙ НАЛЕТ:

#### ВОЗМОЖНЫЕ ПРИЧИНЫ

- Было использовано слишком много масла.
- Вы слишком рано выключили отопление.

#### РЕШЕНИЕ

**ШАГ 01** Включите сковороду на максимум и дайте ей нагреться в течение 10-15 минут.

**ШАГ 02** Соскребите как можно больше загустевшего и частично приготовленного масла.

**ШАГ 03** Снова смазать очень тонким слоем масла.

### КРАЯ ПОВЕРХНОСТИ СКОВОРОДЫ НЕ ЧЕРНЫЕ:

После использования сковороды для нескольких поваров приправы выравниваются и улучшаются.

### ПРЕДОТВРАЩЕНИЕ РЖАВЧИНЫ

Часто пользуйтесь сковородкой. Каждый раз, когда вы готовите, вы добавляете приправу, что снижает вероятность появления ржавчины.

#### УВЕДОМЛЕНИЕ

Если вы живете во влажном или прибрежном климате, ваша сковорода может потребовать более частого добавления приправ между использованиями..

Если на поверхности сковороды появилась ржавчина, сотрите ее стальной ватой, мелкозернистой наждачной бумагой или **пемзой Blackstone** и повторно приправьте поверхность.



#### ВИДЕОУРОК

Восстановление гриля Blackstone Griddle Top  
[youtube.com/watch?v=thPE2lgnSil](https://www.youtube.com/watch?v=thPE2lgnSil)

## ГОТОВИМ НА BLACKSTONE

### ⚠ ВНИМАНИЕ

Этот прибор будет горячим во время и после использования. Используйте посуду с длинной ручкой и прихватки/защитные перчатки при работе с потенциально горячими деталями для защиты от ожогов и брызг.

### ⚠ ВНИМАНИЕ

Если прибор оснащен держателем для бумажных полотенец, рычаг должен находиться в открытом положении во время использования прибора.

### УВЕДОМЛЕНИЕ

Не храните какие-либо предметы в пределах 8 см (3 дюймов) от варочной поверхности во время ее использования.

### ЕСЛИ НА КЛАПАН, ШЛАНГ ИЛИ РЕГУЛЯТОР ПОПАЛА СМАЗКА ИЛИ ДРУГОЙ ГОРЯЧИЙ МАТЕРИАЛ:

**ШАГ 01** Немедленно перекройте подачу газа.

**ШАГ 02** Определите причину и устраните ее.

**ШАГ 03** Очистите и осмотрите клапан, шланг и регулятор.

**ШАГ 04** Bir sızıntı testi yapın. (Lütfen Sızıntı Testi Talimatlarına bakın)

## ВИДЕО РЕЦЕПТЫ

Ищите рецепты и советы по приготовлению на:

[BlackstoneProducts.com/recipes](https://blackstoneproducts.com/recipes)

[youtube.com/BlackstoneGriddles](https://youtube.com/BlackstoneGriddles)

[facebook.com/blackstoneproducts](https://facebook.com/blackstoneproducts)



## УХОД И ОБСЛУЖИВАНИЕ

### ⚠ ОСТОРОЖНО

Скопление жира может привести к возгоранию. Очищайте любую часть прибора, которая нагревается и на которой накапливается жир, после каждого использования.

### ⚠ ВНИМАНИЕ

Вся чистка и техническое обслуживание должны выполняться, когда прибор остыл и все выключено.

- Не используйте абразивную губку на участках с графикой.
- Если для очистки какой-либо из варочных поверхностей используется щетка из щетины, перед приготовлением убедитесь, что на варочных поверхностях не осталось свободных щетинок.

### КОРПУС ПРИБОРА:

Вымойте теплой водой с мылом и сразу вытрите насухо неабразивной тканью. (Не оставляйте чистящие средства на любой пористой поверхности в течение длительного времени.)

### УВЕДОМЛЕНИЕ

Не используйте Citrisol, абразивные чистящие средства или концентрированные чистящие средства для очистки прибора. Это может привести к повреждению и выходу из строя деталей.

## ХРАНЕНИЕ БЫТОВОЙ ТЕХНИКИ

### ⚠ ОСТОРОЖНО

Не перемещайте прибор во время использования. Дайте прибору остыть до 115°F (45°C) перед перемещением или хранением.

Хранение прибора в помещении допускается только в том случае, если подача газа отключена и снята с прибора.

### РУКОВОДСТВО ПО УСТАНОВКЕ КРЫШКИ

Всегда накрывайте прибор, если он хранится на открытом воздухе.



Чтобы найти чехол, подходящий для вашего прибора, посетите [BlackstoneProducts.com/support](https://blackstoneproducts.com/support).



## ОЧИСТКА ПОВЕРХНОСТИ СКОВОРОДЫ

Очищайте поверхность сковороды после каждого использования, пока она еще теплая.

- Не используйте мыло на поверхности сковороды. Это уничтожит приправу сковороды.



### ВИДЕОУРОК

Как почистить сковороду Blackstone Griddle

[youtube.com/watch?v=-ledu9z6NPY](https://www.youtube.com/watch?v=-ledu9z6NPY)

**ШАГ 01** С помощью шпателя или прямого металлического скребка втолкните остатки пищи в масленку.



**ШАГ 02** Протрите верх сковороды бумажным полотенцем.



**ШАГ 03** Нанесите несколько столовых ложек воды на поверхность сковороды, затем соскребите воду и мусор в чашу для жира.

(Для прилипших остатков пищи используйте немного крупной соли.)



**ШАГ 04** Снова протрите бумажным полотенцем и полностью высушите.



**ШАГ 05** Нанесите тонкий слой растительного масла, чтобы сохранить приправу и защитить поверхность сковороды.



## ОПОРОЖНИТЕ ЧАШКУ ДЛЯ ЖИРА

Масленку необходимо снимать и опорожнять после каждого использования.

### ⚠ ВНИМАНИЕ

Чаша для жира будет горячей во время и после использования. Не снимайте масленку, пока сковорода полностью не остынет.

## ИСПРАВЛЕНИЕ ПРОБЛЕМ

### УСТРАНЕНИЕ НЕПОЛАДОК ЗАЖИГАНИЯ

#### ГОРЕЛКА НЕ ЗАЖИГАЕТСЯ:

Если зажигание не происходит в течение 5 секунд:

**ШАГ 01** Выключите ручку управления горелкой.

**ШАГ 02** Подождите 5 минут.

**ШАГ 03** Повторите процедуру освещения.

Если это не работает, для определения причины попробуйте поджечь прибор спичкой.

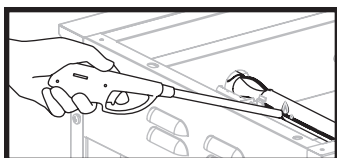
#### ИНСТРУКЦИИ ПО ОСВЕЩЕНИЮ МАТЧА

Перед началом проверьте наличие утечек газа. Откройте капот (если есть).

**ШАГ 01** Поверните ручку управления в положение ВЫКЛ.

**ШАГ 02** Зажгите спичку (или длинную зажигалку) длиной не менее 11 дюймов.

**ШАГ 03** Поместите пламя рядом с горелкой.



**ШАГ 04** Нажмите и поверните ручку управления, чтобы начать подачу газа. Убедитесь, что горелка горит и горит постоянно.

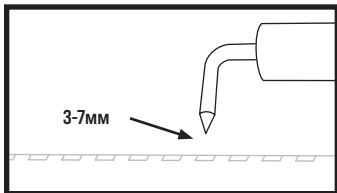
#### ЕСЛИ ВЫ МОЖЕТЕ ЗАЖЕЧЬ ПРИБОР СПИЧКОЙ:

##### ВОЗМОЖНЫЕ ПРИЧИНЫ

Провод зажигания смещен.

##### РЕШЕНИЕ

Убедитесь, что игла зажигания расположена на расстоянии 3-7 мм от трубки горелки и над отверстием горелки.

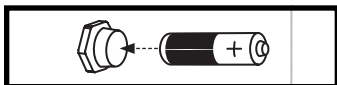


Повреждение системы зажигания.

Обратитесь в сервисную службу для замены деталей.

Разряженный/неправильно установленный аккумулятор.

Замените новой батареей



#### ЕСЛИ ВЫ НЕ МОЖЕТЕ ЗАЖЕЧЬ ПРИБОР СПИЧКОЙ:

##### ВОЗМОЖНЫЕ ПРИЧИНЫ

Трубки горелки не получают топливо.

##### РЕШЕНИЕ

Очистите узел горелки, чтобы удалить препятствие.

### УСТРАНЕНИЕ НЕПОЛАДОК С ПОТОКОМ ГАЗА

#### ПЛАМЯ ГОРЕЛКИ ЖЕЛТОЕ ИЛИ НЕПРАВИЛЬНОЕ:

- Прибор не достигает высокой температуры или нагревается неравномерно.
- Пламя горелки начинается сильным, а затем сразу же падает до минимума, даже если горелка находится в верхнем положении.
- Высота пламени падает, когда зажигается вторая горелка.
- Пламя не распространяется по всей длине горелки или проходит только с одной стороны горелки.
- Пламя горелки непостоянно.

##### ВОЗМОЖНЫЕ ПРИЧИНЫ

Препятствия в горелке, газовых форсунках или топливной рампе.

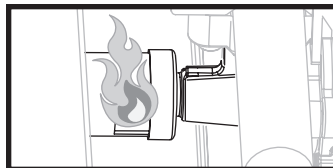
##### РЕШЕНИЕ

Очистите горелку, форсунки и газовый шланг.

Газовый баллон пуст или низкий.

Заправьте или замените газовый баллон.

#### ПЛАМЯ ВЫХОДИТ ИЗ ВОЗДУШНЫХ ВОРОТ:



##### ВОЗМОЖНЫЕ ПРИЧИНЫ

Что-то блокирует трубку Вентури в горелке.

##### РЕШЕНИЕ

Очистите узел горелки, чтобы удалить препятствие.



## ОЧИСТКА УЗЛА ГОРЕЛКИ

Чтобы уменьшить вероятность «возврата», описанную ниже процедуру следует выполнять не реже одного раза в месяц, когда пауки наиболее активны или когда ваш прибор не использовался в течение определенного периода времени.



### ВИДЕОУРОК

Как очистить трубку горелки

▶ [youtube.com/watch?v=xKQTCrFCzf8](https://www.youtube.com/watch?v=xKQTCrFCzf8)

**ШАГ 01** Отсоедините узел регулятора от газового баллона, повернув быстросъемную гайку по часовой стрелке.

- Снимите верхнюю часть сковороды.
- Снимите горелку, потянув за зажим горелки. Используйте отвертку или острогубцы.

**ШАГ 02** Осторожно поднимите горелку вверх и в сторону от отверстия газового клапана.

**ШАГ 03** Очистите внутреннюю часть горелки:

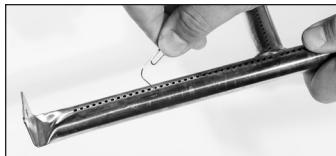
- Пропустите бутылочную щетку (не проволочную щетку) или жесткую проволоку, согнутую в небольшой крючок, через каждую трубку горелки несколько раз.
- Используйте сжатый воздух, чтобы продуть трубку горелки и отверстия горелки (наденьте защитные очки).



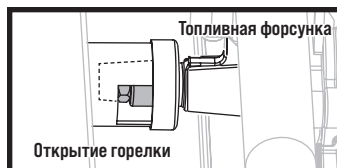
**ШАГ 04** Очистите всю внешнюю поверхность горелки щеткой, чтобы удалить грязь.



**ШАГ 05** Очистите все заблокированные порты жесткой проволокой, например открытой скрепкой.



**ШАГ 06** Осторожно замените горелки и установите их снова, обращая внимание на расположение иглы розжига.



**⚠** Топливная форсунка газовой рампы должна снова войти в отверстие горелки.

## СЛУЖБА ПОДДЕРЖКИ

По всем вопросам, запросам или поддержке клиентов, пожалуйста, обращайтесь:

**Griddle Masters Europe ApS**  
**Blackstone Europe**  
 Tel. +45 2424 7709  
 Nordre Strandvej 119, 3150 Hellebæk  
 Denmark  
[www.blackstone-europe.com](http://www.blackstone-europe.com)

**BLACKSTONE**<sup>®</sup>

Этот продукт может быть защищен одним или несколькими выданными американскими и/или международными патентами и может включать патентные заявки, находящиеся на рассмотрении.

Для получения дополнительной информации посетите:  
[BlackstoneProducts.com/patents](https://BlackstoneProducts.com/patents)