



ES MANUAL DE INSTRUCCIONES

PT MANUAL DE INSTRUÇÕES

EN INSTRUCTIONS FOR USE

FR MANUEL D'UTILISATION

cata 

Dear Customer,

Thank you for relying on this product. We aim to allow you to optimally and efficiently use this environment-friendly product produced in our modern facilities under precise conditions with respect to sense of quality in total.

We advise you to read these operating manual thoroughly before using the oven and keep it permanently so that the features of the built-in oven you have purchased will stay the same as the first day for a long time.

Note: This operating manual is prepared for multiple models. Your appliance may not feature some functions specified in the manual.

The product images are schematic.

This product has been produced in modern environment-friendly facilities without adversely affecting nature.

Products marked with (*) are optional.


"Complies with WEEE Regulation"

Contents

Important warnings.....	4
Electrical connection.....	12
Introducing the appliance.....	13
Accessories.....	14
Technical specifications.....	15
Installation of appliance.....	15
Control panel.....	21
Using the oven.....	23
Using the grill.....	24
Using the chicken roasting.....	24
Program types.....	25
Cooking recommendations.....	26
Cooking table.....	27
Baking with pizza stone.....	28
Maintenance and cleaning.....	29
Steam cleaning.....	29
Cleaning and mounting oven door.....	30
Cleaning oven glass.....	31
Catalytic panel.....	32
Rack positions.....	32
Replacing oven lamp.....	32
Troubleshooting.....	33
Handling rules.....	35
Recommendations for energy saving.....	35
Environmentally-friendly disposal.....	36
Package information.....	36

IMPORTANT WARNINGS

1. Installation and repair should always be performed by **“AUTHORIZED SERVICE”**. Manufacturer shall not be held responsible for operations performed by unauthorized persons.
2. Please read this operating instructions carefully. Only by this way you can use the appliance safely and in a correct manner.
3. The oven should be used according to operating instructions.
4. Keep children below the age of 8 and pets away when operating.
5. **The accessible parts may be hot during use. Young children must be kept away.**
6. **WARNING: Danger of fire: do not store items on the cooking surfaces.**
7. **WARNING: During use the appliance becomes hot. Care should be taken to avoid touching heating elements inside the oven.**
8. Setting conditions of this device are specified on the label. (Or on the data plate)
9. The accessible parts may be hot when the grill is used. Small children should be kept away.
10. **WARNING: This appliance is intended for cooking. It should not be used for other purposes like heating a room.**
11. To clean the appliance, do not use steam cleaners.



12. Ensure that the oven door is completely closed after putting food inside the oven.

13. NEVER try to put out the fire with water. Only shut down the device circuit and then cover the flame with a cover or a fire blanket.

14. WARNING: Children less than 8 years of age shall be kept away unless continuously supervised.

15. Touching the heating elements should be avoided.

16. CAUTION: Cooking process shall be supervised. Cooking process shall always be supervised.

17. This appliance can be used by children aged from 8 years and above and persons with reduced physical, sensory or mental capabilities or lack of experience and knowledge if they have been given supervision or instruction concerning use of the appliance in a safe way and understand the hazards involved. Children shall not play with the appliance. Cleaning and user maintenance shall not be made by children without supervision.

18. This device has been designed for household use only.

19. Children must not play with the appliance. Cleaning or user maintenance of the appliance shall not be performed by children unless they are older than 8 years and supervised by adults.

20. Keep the appliance and its power cord away from children less than 8 years old.

21. Put curtains, tulle, paper or any flammable (ignitable) material away from the appliance before starting to use the appliance. Do not put ignitable or flammable materials on or in the appliance.

22. Keep the ventilation channels open.

23. The appliance is not suitable for use with an external timer or a separate remote control system.

24. Do not heat closed cans and glass jars. The pressure may lead jars to explode.

25. Oven handle is not a towel drier. Do not hang towels, etc. on the oven handle.

26. Do not place the oven trays, plates or aluminium foils directly on the oven base. The accumulated heat may damage the base of the oven.

27. While placing food to or removing food from the oven, etc., always use heat resistant oven gloves.

28. Do not use the product in states like medicated and/or under influence of alcohol which may affect your ability of judgement.

29. Be careful when using alcohol in your foods. Alcohol will evaporate at high temperatures and may catch fire to cause a fire if it comes in contact with hot surfaces.

30. After each use, check if the unit is turned off.

31. If the appliance is faulty or has a visible damage, do not operate the appliance.

32. Do not touch the plug with wet hands. Do not pull the cord to plug off, always hold the plug.

33. Do not use the appliance with its front door glass removed or broken.

34. Place the baking paper together with the food into a pre-heated oven by putting it inside a cooker or on an oven accessory. (tray, wire grill etc.)

35. Do not put objects that children may reach on the appliance.

36. It is important to place the wire grill and tray properly on the wire racks and/or correctly place the tray on the rack. Place the grill or tray between two rails and make sure it is balanced before putting food on it.

37. Against the risk of touching the oven heater elements, remove excess parts of the baking paper that hang over from the accessory or container.

38. Never use it at higher oven temperatures than the maximum usage temperature indicated on your baking paper. Do not place the baking paper on the base of the oven. Against the risk of touching the oven heater elements, remove excess parts of the baking paper that hang over from the accessory or container.

39. When the door is open, do not place any heavy object on the door or allow children to sit on it. You may cause the oven to overturn or the door hinges to be damaged.

40. The packaging materials are dangerous for children. Keep packaging materials away from the reach of children.

41. Do not use abrasive cleaners or sharp metal scrapers to clean the glass as the scratches that may occur on the surface of the door glass may cause the glass to break.

42. User should not handle the oven by himself.

43. During usage, the internal and external surfaces of the oven get hot. As you open the oven door, step back to avoid the hot vapour coming out from the interior. There is risk of burning.

44. Do not place heavy objects when oven door is open, risk of toppling.

45. Oven supply can be disconnected during any construction work at home. After completing the work, re-connecting the oven shall be done by authorized service.

46. User should not dislocate the resistance during cleaning. It may cause an electric shock.

47. To prevent overheating, the appliance should not be installed behind of a decorative cover.

48. Turn off the appliance before removing the safeguards. After cleaning, install the safeguards according to instructions.

49. Cable fixing point shall be protected.

50. Please don't cook the food directly on the tray / grid. Please put the food into or on appropriate tools before putting them in the oven.

Electrical Safety

1. Plug the appliance in a grounded socket protected by a fuse conforming to the values specified in the technical specifications chart.
2. Have an authorized electrician set grounding equipment. Our company shall not be responsible for the damages that shall be incurred due to using the product without grounding according to local regulations.
3. The circuit breaker switches of the oven shall be placed so that end user can reach them when the oven is installed.
4. The power supply cord (the cord with plug) shall not contact the hot parts of the appliance.
5. If the power supply cord (the cord with plug) is damaged, this cord shall be replaced by the manufacturer or its service agent or an equally qualified personnel to prevent a hazardous situation.
6. Never wash the appliance by spraying or pouring water on it. There is a risk of electrocution.
7. **WARNING: To avoid electric shock, ensure that the device circuit is open before changing the lamp.**
8. **WARNING: Cut off all supply circuit connections before accessing the terminals.**
9. Do not use cut or damaged cords or extension cords other than the original cord.
10. Make sure that there is no liquid or humidity in the outlet where the product plug is installed.

11. The rear surface of the oven also heats up when the oven is operated. Electrical connections shall not touch the rear surface, otherwise the connections may be damaged.

12. Do not tighten the connecting cables to the oven door and do not run them over hot surfaces. If the cord melts, this may cause the oven to short circuit and even a fire.

13. Unplug the unit during installation, maintenance, cleaning and repair.


14. If the power supply cable is damaged, it must be replaced by its manufacturer or authorized technical service or any other personnel qualified at the same level, in order to avoid any dangerous situation.

15. Make sure the plug is inserted firmly into wall socket to avoid sparks.

16. Do not use steam cleaners for cleaning the appliance, otherwise electric shock may occur.

17. An omnipolar switch capable to disconnect power supply is required for installation. Disconnection from power supply shall be provided with a switch or an integrated fuse installed on fixed power supply according to building code.

18. Appliance is equipped with a **type “Y”** cord cable.



19. Fixed connections shall be connected to a power supply enabling omnipolar disconnection. For appliances with over voltage category below III, disconnection device shall be connected to fixed power supply according to wiring code.

Intended Use

1. This product has been designed for domestic use. Commercial use is not permitted.

2. This appliance may only be used for cooking purposes. It shall not be used for other purposes like heating a room.

3. This appliance shall not be used to heat plates under the grill, drying clothes or towels by hanging them on the handle or for heating purposes.

4. The manufacturer assumes no responsibility for any damage due to misuse or mishandling.

5. Oven part of the unit may be used for thawing, roasting, frying and grilling food.

6. Operational life of the product you have purchased is 10 years. This is the period for which the spare parts required for the operation of this product as defined is provided by the manufacturer.

Electrical Connection

This oven must be installed and connected to its place correctly according to manufacturer instructions and by an authorized service.

Appliance must be installed in an oven enclosure providing high ventilation.

Electrical connections of the appliance must be made only via sockets having earth system furnished in compliance with rules. Contact an authorized electrician if there is no socket complying with the earthed system at where appliance will be placed. Manufacturing company is by no means responsible for damage resulting from connection of non-earthed sockets to appliance.

Plug of your oven must be earthed; ensure that socket for the plug is earthed. Plug must be located in a place that can be accessed after installation.

Your oven has been manufactured as 220-240 V 50/60 Hz. AC power supply compliant and requires a 16 Amp fuse. If your power network is different that these indicated values, refer to an electrician or your authorized service.

When you need to replace the electrical fuse, please ensure that electrical connection is made as follows:

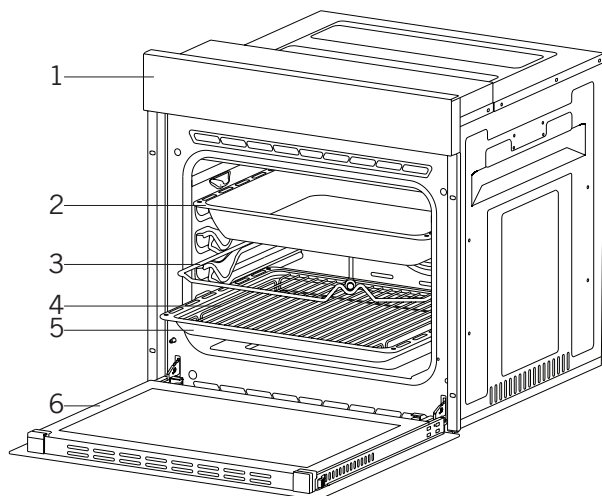
- Phase (to live terminal) brown cable
- Blue cable to neutral terminal
- Yellow-green cable to earth terminal

Oven disconnecting switches must be in an accessible place for final user while oven is in its place.

Power supply cable (plug in cable) mustn't touch hot parts of the appliance.

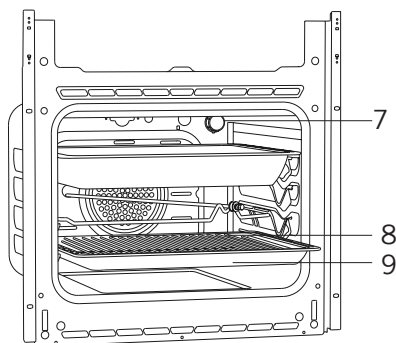
If supply cord (plug in cable) is damaged, this cord must be replaced by the importer or its service agent or an equally competent personnel to prevent a hazardous situation.

INTRODUCING THE APPLIANCE



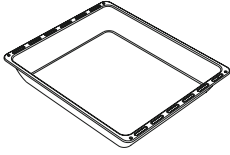
1. Control panel
2. Deep tray *
3. Roast chicken skewer *

4. In tray wire grill
5. Standard tray
6. Oven door



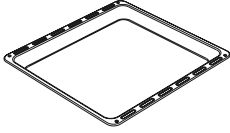
7. Lamp
8. In tray wire grill
9. Standard tray

Accessories (optional)



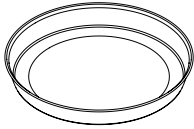
Deep tray *

Used for pastry, big roasts, watery foods. It can also be used as oil collecting container if you roast directly on grill with cake, frozen foods and meat dishes.



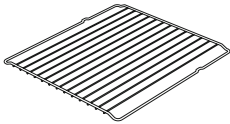
Tray / Glass tray *

Used for pastry (cookie, biscuit etc.), frozen foods.



Circular tray *

Used for pastry frozen foods.



Wire grill

Used for roasting or placing foods to be baked, roasted and frozen into desired rack.



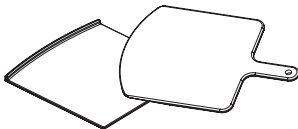
Telescopic rail *

Trays and wire racks can be removed and installed easily thanks to telescopic rails.



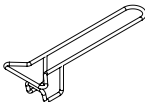
In tray wire grill *

Foods to stick while cooking such as steak are placed on in tray grill. Thus contact of food with tray and sticking are prevented.



Pizza stone and peel *

They are used for baking pastries such as pizza, bread, pancake and removing baked food from the oven.



Tray handle *

It is used to hold hot trays.

Technical Specifications

Specifications	SES 6004 / SES 6204 / MES 8007 / MDS 8007			
Lamp power	15-25 W			
Thermostat	40-240 / Max °C			
Lower heater	1200 W			
Upper heater	1000 W			
Turbo heater	1800 W			
Grill heater	Small grill	1000 W	Big grill	2000 W
Supply voltage	220V-240 V 50/60 Hz.			

Specifications	MDS 8008			
Lamp power	15-25 W			
Thermostat	40-240 / Max °C			
Lower heater	1200 W			
Upper heater	1200 W			
Turbo heater	1800 W			
Grill heater	Small grill	1200 W	Big grill	2400 W
Supply voltage	220V-240 V 50/60 Hz.			

Technical specifications can be changed without prior notice to improve product quality.

The values provided with the appliance or its accompanying documents are laboratory readings in accordance with the respective standards. These values may differ depending on the use and ambient conditions.

Figures in this guide are schematic and may not be exactly match your product.

INSTALLATION OF APPLIANCE

Ensure that electrical installation is suitable for operationalising the appliance. If not, call an electrician and plumber to make necessary arrangements. Manufacturing firm can't be hold responsible for damages to arise due to operations by unauthorized people and product warranty becomes void.

WARNING: It is customer's responsibility to prepare the location the product shall be placed on and also have power utility prepared.

WARNING: The rules about electrical local standards must be adhered to during product installation.

WARNING: Check for any damage on the product before installing it. Do not have product installed if it's damaged. Damaged products pose danger for your safety.

Important Warnings for Installation:



Figure 1

Cooling fan shall take extra steam out and prevent outer surfaces of appliance from overheating during operation of oven. This is a necessary condition for better appliance operation and better cooking. Cooling fan shall continue operation after cooking is finished. Fan shall automatically stop after cooling is completed.

A clearance must be left behind the enclosure where you'll place the appliance for efficient and good operation.

This clearance shouldn't be ignored as it's required for ventilation system of the appliance to operate.

Right Place For Installation

Product has been designed to be mounted to worktops procured from market. A safe distance must be left between the product and kitchen walls or furniture. See the drawing provided on the next page for proper distances. (values in mm).

- Used surfaces, synthetic laminates and adhesives must be heat resistant. (minimum 100 °C)
- Kitchen cupboards must be level with product and secured.
- If there is a drawer below the oven, a rack must be placed between oven and drawer.

WARNING: Do not install the product next to refrigerators or coolers. The heat emitted by the product increases the energy consumption of cooling devices.

WARNING: Do not use door and/or handle to carry or move the product.

60 cm Built-In Oven Installation And Mounting

Place of use for product must be located before starting installation.

Product mustn't be installed in places which are under the effect of strong air flow.

Carry the product with minimum two people. Do not drag the product so that floor isn't damaged.

Remove all transportation materials inside and outside the product. Remove all materials and documents in the product.

Installation Under Counter

Cabin must match the dimensions provided in figure 2.

A clearance must be provided at the rear part of the cabin as indicated in the figure so that necessary ventilation can be achieved.

After mounting, the clearance between lower and upper part of the counter is indicated in figure 5 with "A". It's for ventilation and shouldn't be covered.

Installation In An Elevated Cabinet

Cabin must match the dimensions provided in figure 4.

The clearances with the dimensions indicated in the figure must be provided at the rear part of cabin, upper and lower sections so that necessary ventilation can be achieved.

Installation Requirements

Product dimensions are provided in the figure 3.

Furniture surfaces for mounting and mounting materials to be used must have a minimum temperature resistance of 100 °C.

Mounting cabin must be secured and its floor must be plane for product not to tilt over.

Cabin floor must have a minimum strength that would handle a load of 60 kg.

Placing And Securing The Oven

Place the oven into the cabin with two or more people.

Ensure that oven's frame and front edge of the furniture match uniformly.

Supply cord mustn't be under the oven, squeeze in between oven and furniture or bend.

Fix the oven to the furniture by using the screws provided with the product. Screws must be mounted as shown in figure 5 by passing them through plastics attached to frame of the product. Screws mustn't be overtightened. Otherwise, screw sockets might be worn.

Check that oven doesn't move after mounting. If oven isn't mounted in accordance with instructions, there is a risk of tilt over during operation.

Electrical Connection

Mounting place of the product must have appropriate electrical installation.

Network voltage must be compatible with the values provided on type label of product.

Product connection must be made in accordance with local and national electrical requirements.

Before starting the mounting disconnect network power. Do not connect the product to network until its mounting is completed.

Mounting

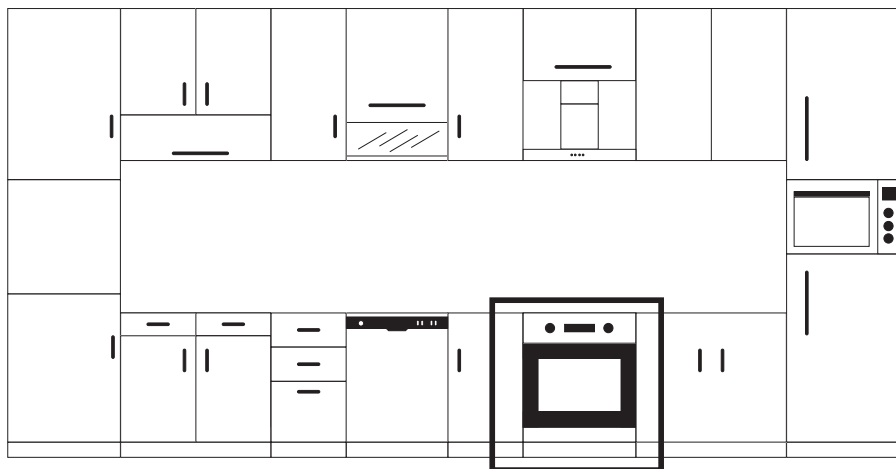




Figure 2



Figure 3





Figure 4

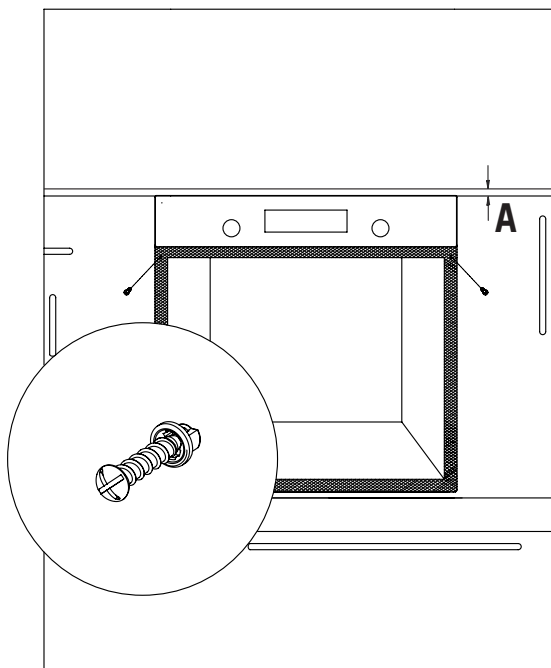


Figure 5

CONTROL PANEL



1. Function button
2. Mechanical or digital timer
3. Thermostat

WARNING: The control panel above is only for illustration purposes. Consider the control panel on your device.



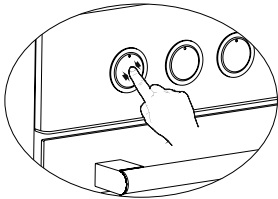
Thermostat Button: Helps to set cooking temperature of the food to be cooked in the oven. You can set the desired temperature by turning the button after placing the food into the oven. Check cooking table related to cooking temperatures of different foods.



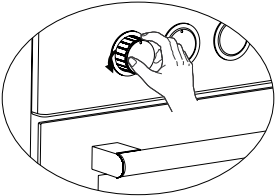
Mechanical Timer Button *: Helps to set time for the food to be cooked in the oven. Timer de-energizes the heaters when set time expires and warns you by ringing. See cooking table for cooking times.

Using Pop-up Button *

Adjustment can be made only when button is popped for models with pop-up button.



Make sure that button is popped by pressing on the button as shown in the figure at left side.



You can make necessary adjustments by turning right or left when button is popped enough.

USING THE OVEN

Initial Use Of Oven

Here are the things you must do at first use of your oven after making its necessary connections as per instructions:

- 1.** Remove labels or accessories attached inside the oven. If any, take out the protective folio on front side of the appliance.
- 2.** Remove dust and package residues by wiping inside of the oven with a damp cloth. Inside of oven must be empty. Plug the cable of appliance into the electrical socket.
- 3.** Set the thermostat button to the highest temperature (240 Max. °C) and run the oven for 30 minutes with its door closed. Meanwhile a slight smoke and smell might occur and that's a normal situation.
- 4.** Wipe inside of the oven with a slightly warm water with detergent after it becomes cold and then dry with a clean cloth. Now you can use your oven.

Normal Use Of Oven

- 1.** Adjust thermostat button and temperature at which you want to cook the food to start cooking.
- 2.** You can set cooking time to any desired time by using the button at models with mechanical timer. Timer will de-energize heaters when time expired and provide warning beep as ringing.
- 3.** Timer turns the heaters off and provides audible signal when cooking time expires in line with the information entered in the models with digital timer.
- 4.** Cooling system of the appliance will continue to operate after cooking is completed. Do not cut the power of appliance in this situation which is required for appliance to cool down. System will shut down after cooling is completed.

Using The Grill

1. When you place the grill on the top rack, the food on the grill shall not touch the grill.
2. You can preheat for 5 minutes while grilling. If necessary, you may turn the food upside down.
3. Food shall be in the center of the grill to provide maximum air flow through the oven.

To turn on the grill;

1. Place the function button over the grill symbol.
2. Then, set it to the desired grill temperature.

To turn the grill off;

Set the function button to the off position.

WARNING: Keep the oven door closed while grilling.

Using The Chicken Roasting *

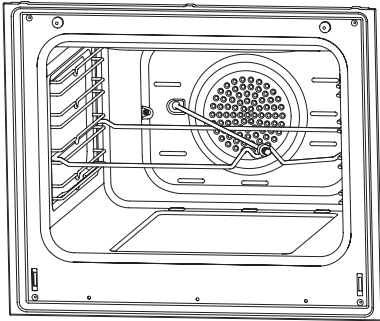


Figure 6

Place the spit on the frame. Slide turn spit frame into the oven at the desired level. Locate a dripping pan through the bottom in order to collect the fat. Add some water in dripping pan for easy cleaning. Do not forget to remove plastic part from spit. After grilling, screw the plastic handle to the skewer and take out the food from oven.

PROGRAM TYPES



Program Button: Helps to set with which heaters the food placed in oven will be cooked. Heater program types in this button and their functions are stated below. Every model might not have all heater types and thus program types of these heaters.

Heating program types in your appliance and important explanations of them are provided below for you can cook different foods appealing to your taste.

	Lower and upper heating Elements		Fan
	Lower heating element and fan		Turbo heater and fan
	Grill and roast chicken		Lower-upper heating element and fan
	Upper heating element and fan		Grill and fan
	Multifunctional cooking (3D)		Grill
	Lower heating element		Upper heating element
	Small grill and fan		Steam cleaning

Lower heating element: Select this program towards end of cooking time if lower part of the food cooked will be roasted.

Upper heating element: Used for post heating or roasting very little pieces of foods.

Lower and upper heating elements: A program that can be used for cooking foods like cake, pizza, biscuit and cookie.

Lower heating element and fan: Use mostly for cooking foods like fruit cake.

Lower and upper heating element and fan: The program suitable for cooking foods like cakes, dried cakes, lasagne. Suitable for cooking meat dishes, as well.

Grill: Grill cooker is used for grilling meat like foods such as steak, sausage and fish. While grilling, tray should be placed in the lower rack and water must be placed in it.

Turbo heater and fan: Suitable for baking and roasting. Keep heat setting lower than "Lower and Upper Heater" program since heat is conveyed immediately via air flow.

Grill and fan: Suitable for cooking meat type foods. Do not forget to place a cooking tray in a lower rack inside the oven and a little water in it while grilling.

Multi Functional Cooking (3D): Suitable for baking and roasting. Lower and upper heaters operate as well as quick transmission of heat via air flow. Suitable for cooking requiring single tray and intense heat.

COOKING RECOMMENDATIONS

You can find in the following table the information of food types which we tested and identified their cooking values in our labs. Cooking times can vary depending on the network voltage, quality of material to be cooked, quantity and temperature. Dishes to cook by using these values might not appeal to your taste. You can set various values for obtaining different tastes and results appealing to your taste by making tests.

WARNING: Oven must be preheated for 7-10 minutes before placing the food in it.

Cooking Table

SES 6004 / SES 6204 / MES 8007 / MDS 8007

Food	Cooking function	Cooking temperature (°C)	Cooking rack	Cooking time (min.)
Cake	Static / Static+fan	170-180	2-3	35-45
Small cake	Static / Turbo+fan	170-180	2	25-30
Pie	Static / Static+fan	180-200	2	35-45
Pastry	Static	180-190	2	20-25
Cookie	Static	170-180	2	20-25
Apple pie	Static / Turbo+fan	180-190	1	50-70
Sponge cake	Static	200/150 *	2	20-25
Pizza	Static fan	180-200	3	20-30
Lasagne	Static	180-200	2-3	25-40
Meringue	Static	100	2	50
Grilled chicken **	Grill+fan	200-220	3	25-35
Grilled fish **	Grill+fan	200-220	3	25-35
Calf steak **	Grill+fan	Max	4	15-20
Grilled meatball **	Grill+fan	Max	4	20-25

* Do not preheat. First half of cooking time is recommended to be at 200 °C de while the other half at 150 °C.

** Food must be turned after half of the cooking time.

MDS 8008

Food	Cooking function	Cooking temperature (°C)	Cooking rack	Cooking time (min.)
Cake	Static / Static+fan	170-180	2-3	30-35
Small cake	Static / Turbo+fan	170-180	2-3	25-30
Pie	Static / Static+fan	180-200	2-3	30-35
Pastry	Static	180-190	2	25-30
Cookie	Static / Turbo+fan	170-180	2-3	20-30
Apple pie	Static / Turbo+fan	180-190	2-3	40-50
Sponge cake	Static / Turbo+fan	200/150 *	2-3	25-30
Pizza	Static / Turbo+lower	180-200	3	20-30
Lasagne	Static	180-200	2-3	20-25
Meringue	Static / Lower-upper+fan	100	2-3	60-70
Grilled chicken **	Grill / Lower-upper+fan	200-220	2-3	25-30
Grilled fish **	Grill	190-200-220	3-4	20-25
Calf steak **	Grill	230	5	25-30
Grilled meatball **	Grill	230	5	20-35

* Do not preheat. First half of cooking time is recommended to be at 200 °C de while the other half at 150 °C.

** Food must be turned after half of the cooking time.

Baking With Pizza Stone

When baking with pizza stone, place pizza stone over wire rack and pre-heat the oven in pizza mode (turbo + lower) at 230 °C for 30 minutes. Once pre-heating is completed, without removing pizza stone put pizza over it with the peel (do not place frozen pizza) and bake at 180 °C for 20-25 minutes. Once baking is completed, remove the baked pizza from the oven using the peel.

WARNING: Do not place pizza stone in a pre-heated oven.

WARNING: Once baking is completed, do not remove pizza stone when it is hot and do not place on cold surfaces. Otherwise, pizza stone can be cracked.

WARNING: Do not expose pizza stone to humidity.

MAINTENANCE AND CLEANING

1. Remove the power plug from electrical socket.
2. Do not clean inner parts, panel, trays and other parts of the product with hard tools such as bristle brush, wire wool or knife. Do not use abrasive, scratching materials or detergent.
3. Rinse after wiping the parts at inner parts of the product with soapy cloth, then dry thoroughly with a soft cloth.
4. Clean glass surfaces with special glass cleaning material.
5. Do not clean your product with steam cleaners.
6. Never use combustibles like acid, thinner and gas while cleaning your product.
7. Do not wash any part of the product in dishwasher.
8. Use potassium stearate (soft soap) for dirt and stains.

Steam Cleaning *



Figure 7

It enables cleaning the soils softened thanks to the steam to be generated in the oven.

1. Remove all the accessories in the oven.
2. Pour a half litre of water into the tray and Place the tray at the bottom of the boiler.
3. Set the switch to the steam cleaning mode.
4. Set the thermostat to 70 °C degrees and operate the oven for 30 minutes.

5. After operating the oven for 30 minutes, open the oven door and wipe the inner surfaces with a wet cloth.

6. Use dish-washing liquid, warm water and a soft cloth for stubborn dirt, then dry off the area you have just cleaned with a dry cloth.

Cleaning And Mounting Oven Door



Figure 8

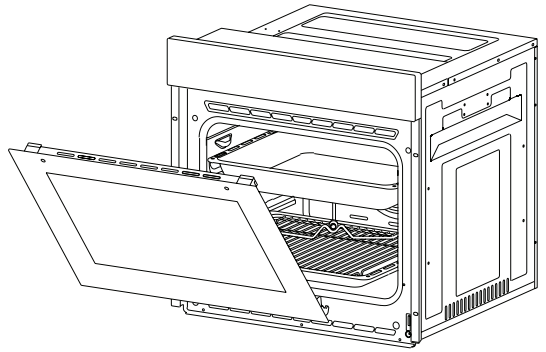


Figure 9

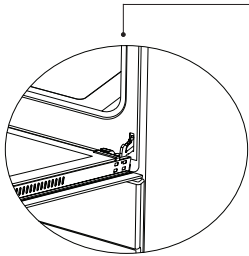


Figure 8.1

Open the door fully by pulling the oven door toward yourself. Then perform unlock operation by pulling the hinge lock upwards with the aid of screwdriver as indicated in **figure 8.1**.

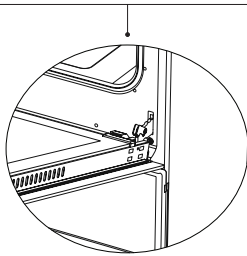


Figure 8.2

Set the hinge lock to the widest angle as in **figure 8.2**. Adjust both hinges connecting oven door to the oven to the same position.

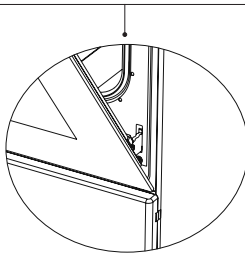


Figure 9.1

Later, close the opened oven door so that it will be in a position to contact with hinge lock as in **figure 9.1**.

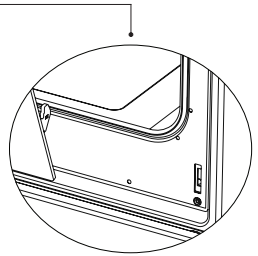


Figure 9.2

For easier removal of oven door, when it comes close to closed position, hold the cover with two hands as in **figure 9.2** and pull upwards.

Reversely perform respectively what you did while opening door to reinstall oven door back.

Cleaning Oven Glass

Lift by pressing on plastic latches on left and right side as shown in figure 10 and pulling the profile toward yourself as in figure 11. Glass is released after profile is removed as shown in figure 12. Remove the released glass by pulling toward yourself carefully. Outer glass is fixed to oven door profile. You can perform glass cleaning easily after glasses are released. You can mount glasses back by performing the operations reversely after cleaning and maintenance are completed. Ensure that profile is seated properly in place.

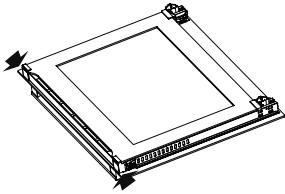


Figure 10

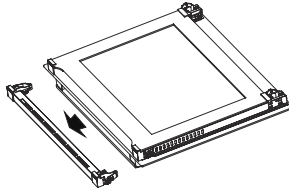


Figure 11

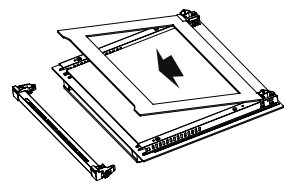


Figure 12

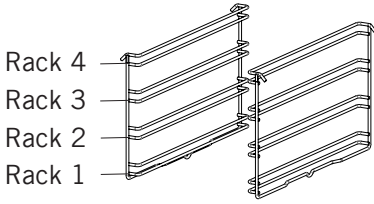
Catalytic Panel *

It is located behind the wire racks of the oven, at the right and left walls of oven cavity. Catalytic panel removes offensive odour and provides using your appliance at its best performance. Over time, oil and food odours permeate into enamelled oven walls and heating elements. Catalytic panel absorbs any food and oil odours, and burns them during cooking to clean your oven.

Detaching catalytic panel

To remove catalytic panel; first remove the wire racks. Once wire racks are removed, catalytic panel will be free. It is advised to replace the catalytic panel once every 2-3 years.

Rack Positions



It is important to place the wire grill into the oven properly. Do not allow wire rack to touch rear wall of the oven. Rack positions are shown in the next figure. You may place a deep tray or a standard tray in the lower and upper wire racks.

Installing and removing wire racks

To remove wire racks, press the clips shown with arrows in the figure, first remove the lower, and then the upper side from installation location. To install wire racks; reverse the procedure for removing wire rack.

Replacing Oven Lamp

WARNING: To avoid electric shock, ensure that the appliance circuit is open before changing the lamp. (having circuit open means power is off) First disconnect the power of appliance and ensure that appliance is cold.

Remove the glass protection by turning as indicated in the figure on the left side. If you have difficulty in turning, then using plastic gloves will help you in turning.

Then remove the lamp by turning, install the new lamp with same specifications.

Reinstall glass protection, plug the power cable of appliance into electrical socket and complete replacement. Now you can use your oven.

Type G9 Lamp



220-240 V, AC
15-25 W

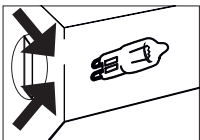


Figure 13

Type E14 Lamp



220-240 V, AC
15 W



Figure 14

TROUBLESHOOTING

You may solve the problems you may encounter with your product by checking the following points before calling the technical service.

Check Points

In case you experience a problem about the oven, first check the table below and try out the suggestions.

Problem	Possible Cause	What to Do
Oven does not operate.	Power supply not available.	Check for power supply.
Oven stops during cooking.	Plug comes out from the wall socket.	Re-install the plug into wall socket.
Turns off during cooking.	Too long continuous operation.	Let the oven cool down after long cooking cycles.
	Cooling fan not operating.	Listen the sound from the cooling fan.
	Oven not installed in a location with good ventilation.	Make sure clearances specified in operating instructions are maintained.
	More than one plugs in a wall socket.	Use only one plug for each wall socket.
Outer surface of the oven gets very hot during operation.	Oven not installed in a location with good ventilation.	Make sure clearances specified in operating instructions are maintained.
Oven door is not opening properly.	Food residues jammed between the door and internal cavity.	Clean the oven well and try to re-open the door.
Internal light is dim or does not operate.	Foreign object covering the lamp during cooking.	Clean internal surface of the oven and check again.
	Lamp might be failed.	Replace with a lamp with same specifications.
Electric shock when touching the oven.	No proper grounding.	Make sure power supply is grounded properly.
	Ungrounded wall socket is used.	

Problem	Possible Cause	What to Do
Water dripping.	Water or steam may generate under certain conditions depending on the food being cooked. This is not a fault of the appliance.	Let the oven cool down and then wipe dry with a cloth.
Steam coming out from a crack on oven door.		
Water remaining inside the oven.		
The cooling fan continues to operate after cooking is finished.	The fan operates for a certain period for ventilation of internal cavity of the oven.	This is not a fault of the appliance; therefore you don't have to worry.
Oven does not heat.	Oven door is open.	Close the door and restart.
	Oven controls not correctly adjusted.	Read the section regarding operation of the oven and reset the oven.
	Fuse tripped or circuit breaker turned off.	Replace the fuse or reset the circuit breaker. If this is repeating frequently, call an electrician.
Smoke coming out during operation.	When operating the oven for the first time	Smoke comes out from the heaters. This is not a fault. After 2-3 cycles, there will be no more smoke.
	Food on heater.	Let the oven to cool down and clean food residues from the ground of the oven and surface of upper heater.
When operating the oven burnt or plastic odour coming out.	Plastic or other not heat resistant accessories are being used inside the oven.	At high temperatures, use suitable glassware accessories.
Oven does not cook well.	Oven door is opened frequently during cooking.	Do not open oven door frequently, if the food you are cooking does not require turning. If you open the door frequently internal temperature drops and therefore cooking result will be influenced.

HANDLING RULES

1. Do not use the door and/or handle to carry or move the appliance.
2. Carry out the movement and transportation in the original packaging.
3. Pay maximum attention to the appliance while loading/unloading and handling.
4. Make sure that the packaging is securely closed during handling and transportation.
5. Protect from external factors (such as humidity, water, etc.) that may damage the packaging.
6. Be careful not to damage the appliance due to bumps, crashes, drops, etc. while handling and transporting and not to break or deform it during operation.

RECOMMENDATIONS FOR ENERGY SAVING

Following details will help you use your product ecologically and economically.

1. Use dark coloured and enamel containers that conduct the heat better in the oven.
2. As you cook your food, if the recipe or the user manual indicates that pre-heating is required, pre-heat the oven.
3. Do not open the oven door frequently while cooking.
4. Try not to cook multiple dishes simultaneously in the oven. You may cook at the same time by placing two cookers on the wire rack.
5. Cook multiple dishes successively. The oven will not lose heat.
6. Turn off the oven a few minutes before the expiration time of cooking. In this case, do not open the oven door.
7. Defrost the frozen food before cooking.

ENVIRONMENTALLY-FRIENDLY DISPOSAL



Dispose of packaging in an environmentally-friendly manner.

This appliance is labelled in accordance with European Directive 2012/19/EU concerning used electrical and electronic appliances (waste electrical and electronic equipment - WEEE). The guideline determines the framework for the return and recycling of used appliances as applicable throughout to the EU.

PACKAGE INFORMATION

Packaging materials of the product are manufactured from recyclable materials in accordance with our National Environment Regulations. Do not dispose of the packaging materials together with the domestic or other wastes. Take them to the packaging material collection points designated by the local authorities.

Estimado Cliente,

Gracias por confiar en este producto.

Nuestro objetivo es que pueda usar de manera óptima y eficiente este producto respetuoso con el medio ambiente fabricado en nuestras modernas instalaciones bajo condiciones óptimas en cuanto a la calidad global.

Le aconsejamos leer este manual de instrucciones en su totalidad antes de usar el horno y guardarlo para siempre para que las características del horno incorporado que ha adquirido permanezcan igual que el primer día durante mucho tiempo.

Nota: Este manual de instrucciones sirve para varios modelos. Puede que su aparato no cuente con algunas de las funciones descritas en el manual.

Las imágenes del producto son esquemáticas.

Este producto ha sido fabricado en instalaciones modernas respetuosas con el medio ambiente sin perjudicar la naturaleza.

Los productos con un asterisco (*) son opcionales.

«Cumple con la normativa AEEE»

Contenidos

Advertencias importantes.....	39
Conexión eléctrica.....	48
Presentación del aparato.....	49
Accesorios.....	50
Especificaciones técnicas.....	51
Instalación del aparato.....	51
Panel de control.....	57
Uso del horno.....	59
Uso de la parrilla.....	60
Uso del asador de pollo.....	60
Tipos de programas.....	61
Recomendaciones acerca de la cocción.....	62
Tabla de cocción.....	63
Hornear con la piedra para pizzas.....	64
Mantenimiento y limpieza.....	65
Limpieza con vapor.....	65
Limpieza y montaje de la puerta del horno.....	66
Limpieza del cristal del horno.....	67
Paredes catalíticas.....	67
Posiciones del estante.....	67
Recambio de la luz del horno.....	68
Solución de problemas.....	69
Reglas de manipulación.....	71
Recomendaciones para el ahorro de energía.....	71
Eliminación respetuosa con el medio ambiente.....	72
Información sobre el embalaje.....	72

ADVERTENCIAS IMPORTANTES

1. La instalación y la reparación siempre deben ser realizadas por el **“SERVICIO AUTORIZADO”**. El fabricante no se hace responsable de las operaciones realizadas por personas no autorizadas.

2. Lea atentamente estas instrucciones de funcionamiento. Solo de esta manera puede usar el dispositivo de forma segura y correcta.

3. El horno debe usarse de acuerdo con las instrucciones de funcionamiento.

4. Mantenga a los niños menores de 8 años y a las mascotas alejados cuando opere.

5. **Las partes accesibles pueden calentarse durante el uso. Los niños deben mantenerse lejos.**

6. **ADVERTENCIA: Peligro de incendio: no almacene artículos que en las superficies de cocción.**

7. **ADVERTENCIA: El aparato se calienta durante su uso. Debe tenerse cuidado de no tocar los calentadores del interior del horno.**

8. Las condiciones de configuración de este dispositivo se especifican en la etiqueta. (O en la placa de datos)

9. Las partes accesibles pueden estar calientes cuando se usa la parrilla. Los niños pequeños deberían mantenerse lejos.

10. **ADVERTENCIA: Este aparato está diseñado para cocinar. No debe utilizarse para otros propósitos, como para calefacción.**

11. Para limpiar el aparato, no use limpiadores de vapor.

12. Asegúrese de que la puerta del horno esté completamente cerrada después de colocar los alimentos dentro del horno.

13. NO TRATE NUNCA de apagar el fuego con agua. Solo apague el circuito del dispositivo y luego cubra la llama con una cubierta o una manta ignífuga.

14. ADVERTENCIA: Los niños menores de 8 años de edad deben mantenerse lejos menos que sean supervisados continuamente.

15. Debe evitarse tocar los elementos calientes.

16. PRECAUCIÓN: El proceso de cocción deberá ser supervisado. El proceso de cocción siempre deberá ser supervisado.

17. Este aparato puede ser utilizado por niños de 8 años y mayores y las personas con capacidades físicas, sensoriales o mentales reducidas o falta de experiencia y conocimiento, si se les ha dado la supervisión o instrucciones relativas al uso del aparato de una manera segura y comprenden los peligros involucrados. Los niños no deben jugar con el aparato. Los niños no deberán realizar la limpieza y el mantenimiento sin estar vigilados por parte de un adulto.

18. Este dispositivo ha sido diseñado solo para uso doméstico.

19. Los niños no deben jugar con el aparato. La limpieza o el mantenimiento al aparato por parte del usuario no debe ser realizado por niños a menos que sean mayores de 8 años y sean supervisados por adultos.

20. Mantenga el aparato y su cable de alimentación lejos de niños menores de 8 años.

21. Coloque cortinas, tul, papel o cualquier material inflamable (inflamable) lejos del aparato antes de comenzar a usarlo. No coloque materiales inflamables encima o dentro del aparato.

22. Mantenga abiertos los canales de ventilación.

23. El aparato no es adecuado para su uso con un temporizador externo o un sistema de control remoto por separado.

24. No caliente latas cerradas ni frascos de vidrio. La presión puede llevar a los tarros a explotar.

25. El asa del horno no es un colgador de toallas. No cuelgue toallas, etc. en el asa del horno.

26. No coloque las bandejas del horno, platos u hojas de aluminio directamente sobre la base del horno. El calor acumulado puede dañar la base del horno.

27. Mientras coloca alimentos o retira alimentos del horno, etc., siempre use guantes resistentes al calor.

28. No use el producto estando bajo medicación y/o bajo la influencia del alcohol, que puede afectar su capacidad de buen juicio.

29. Tenga cuidado al usar alcohol en sus alimentos. El alcohol se evaporará a altas temperaturas y puede prenderse fuego y causar un incendio si entra en contacto con superficies calientes.

30. Después de cada uso, verifique si la unidad está apagada.

31. Si el aparato está defectuoso o tiene un daño visible, no lo haga funcionar.

32. No toque el enchufe con las manos mojadas. No tire del cable para desconectarlo, siempre sostenga el enchufe.

33. No use el aparato con el cristal de la puerta frontal retirado o roto.

34. Coloque el papel de hornear junto con la comida en un horno precalentado poniéndolo dentro de una olla o en un accesorio de horno (bandeja, parrilla de alambre, etc.).

35. No coloque objetos que puedan alcanzar los niños en el aparato.

36. Es importante colocar la parrilla de alambre y la bandeja correctamente en los estantes de alambre y/o colocar correctamente la bandeja en el estante. Coloque la parrilla o bandeja entre dos rieles y asegúrese de que esté equilibrada antes de poner comida sobre ella.

37. Contra el riesgo de tocar los elementos del calentador del horno, retire las partes sobrantes del papel de hornear que cuelgan del accesorio o contenedor.

38. Nunca lo use a temperaturas de horno superiores a la temperatura de uso máxima indicada en su papel de hornear. No coloque el papel de hornear en la base del horno. Con el fin de evitar el riesgo de tocar las partes calientes y quemadores del horno, retire el exceso de papel de hornear colgante del accesorio o contenedor.

39. Cuando la puerta esté abierta, no coloque ningún objeto pesado sobre la puerta ni permita que los niños se sienten en ella. Puede hacer que el horno vuelque o que las bisagras de la puerta se dañen.

40. Los materiales de embalaje son peligrosos para los niños. Mantenga los materiales de embalaje lejos del alcance de los niños.

41. No utilice limpiadores abrasivos ni raspadores metálicos afilados para limpiar el cristal, ya que los arañazos que pueden ocurrir en la superficie del cristal de la puerta pueden hacer que el cristal se rompa.

42. El usuario no debe manejar el horno solo.

43. Durante el uso, las superficies internas y externas del horno se calientan. Cuando abra la puerta del horno, retroceda para evitar que salga vapor caliente del interior. Hay riesgo de quemaduras.

44. No coloque objetos pesados cuando la puerta del horno esté abierta, existe el riesgo de que se voltee.

45. El usuario no debe dislocar la resistencia durante la limpieza. Puede causar una descarga eléctrica.

46. El suministro del horno se puede desconectar durante cualquier trabajo de construcción en el hogar. Después de completar el trabajo, vuelva a conectar el horno debe ser hecho por un servicio autorizado.

47. Para evitar el sobrecalentamiento, el aparato no debe instalarse detrás de una cubierta decorativa.

48. Apague el aparato antes de quitar las protecciones. Después de limpiar, instale las protecciones de acuerdo con las instrucciones.

49. El punto de fijación del cable debe estar protegido.


50. No cocine la comida directamente en la bandeja/rejilla. Por favor, ponga la comida en las herramientas adecuadas antes de ponerlas en el horno.

Seguridad eléctrica

1. Conecte el aparato a un enchufe con conexión a tierra protegido por un fusible que cumpla con los valores especificados en el cuadro de especificaciones técnicas.

2. Haga que un electricista autorizado instale un equipo de puesta a tierra. Nuestra empresa no será responsable por los daños que se incurrirán debido al uso del producto sin conexión a tierra de acuerdo con las reglamentaciones locales.

3. Los interruptores automáticos del horno deben colocarse de modo que el usuario final pueda alcanzarlos cuando el horno esté instalado.



4. El cable de alimentación (el cable con enchufe) no debe entrar en contacto con las partes calientes del dispositivo.

5. Si el cable de suministro de energía (el cable con enchufe) está dañado, este cable debe ser reemplazado por el fabricante o su agente de servicio o un personal igualmente calificado para evitar una situación peligrosa.

6. NUNCA lave el producto rociando o vertiendo agua sobre él! Existe el riesgo de electrocución.

7. ADVERTENCIA: Para evitar descargas eléctricas, asegúrese de que el circuito del dispositivo esté abierto antes de cambiar la lámpara.

8. ADVERTENCIA: Corte todas las conexiones del circuito de suministro antes de acceder a las terminales.

9. No use cables cortados o dañados o cables de extensión que no sean el cable original.

10. Asegúrese de que no haya líquido o humedad en el tomacorriente donde está instalado el enchufe del producto.

11. La superficie posterior del horno también se calienta cuando se opera el horno. Las conexiones eléctricas no deben tocar la superficie posterior, de lo contrario, las conexiones podrían dañarse.

12. No apriete los cables de conexión a la puerta del horno y no los aplique sobre superficies calientes. Si el cable se derrite, esto puede provocar un cortocircuito en el horno e incluso un incendio.

13. Desenchufe la unidad durante la instalación, mantenimiento, limpieza y reparación.

14. Si el cable de alimentación está dañado, debe ser reemplazado por su fabricante o servicio técnico autorizado o cualquier otro personal calificado en el mismo nivel, para evitar cualquier situación peligrosa.

15. Asegúrese de que el enchufe esté insertado firmemente en el tomacorriente de la pared para evitar chispas.

16. No use limpiadores a vapor para limpiar el aparato, de lo contrario puede ocurrir una descarga eléctrica.

17. Se requiere un interruptor omnipolar capaz de desconectar la fuente de alimentación para la instalación. La desconexión de la fuente de alimentación debe proporcionarse con un interruptor o un fusible integrado instalado en una fuente de alimentación fija de acuerdo con el código de construcción.

18. El dispositivo está equipado con un cable **tipo “Y”**.

19. Las conexiones fijas se deben conectar a una fuente de alimentación que permita la desconexión omnipolar. Para dispositivos con categoría de sobretensión por debajo de III, el dispositivo de desconexión se conectará a la fuente de alimentación fija de acuerdo con el código de cableado.

Uso previsto

- 1.** Este aparato está diseñado para uso en el hogar. El uso comercial del aparato no está permitido.
- 2.** Este aparato solo se puede usar para cocinar. No debe usarse para otros fines, como calentar una habitación.
- 3.** Este aparato no debe usarse para calentar placas debajo de la parrilla, para secar la ropa o las toallas colgándolas en el asa o con fines de calefacción.
- 4.** El fabricante no asume ninguna responsabilidad por los daños debidos al mal uso o mal manejo.
- 5.** La parte del horno de la unidad se puede usar para descongelar, asar, freír y asar alimentos.
- 6.** La vida operativa del producto que ha comprado es de 10 años. Este es el período durante el cual el fabricante proporciona los recambios necesarios para el funcionamiento de este producto según lo definido.

Conexión Eléctrica

Debe instalar y conectar el horno en su sitio correctamente según las instrucciones del fabricante de la mano de un servicio técnico autorizado.

Debe instalar el aparato en una caja para horno con mucha ventilación.

Las conexiones eléctricas del aparato debe llevarse a cabo únicamente con enchufes con conexión a tierra, instalados conforme las normativas. Contacte con un electricista autorizado si no hay ningún enchufe con conexión a tierra donde vaya a colocarse el aparato. El fabricante no se responsabilizará de ninguna manera por los daños causados por la conexión de enchufes sin conexión a tierra al aparato.

El enchufe del horno debe tener conexión a tierra. Asegúrese de que el enchufe tenga conexión a tierra. El enchufe debe estar ubicado en un lugar al que pueda accederse después de la instalación.

El horno ha sido fabricado con 220-240 V 50/60 Hz. El aparato cuenta con corriente alterna, para el cual se necesita un fusible de 16 Amp. Si la corriente de la red es diferente a estos valores indicados, consulte con un electricista o un servicio técnico autorizado.

Cuando necesite sustituir el fusible eléctrico, por favor, asegúrese de que la conexión eléctrica se lleve a cabo de la siguiente manera:

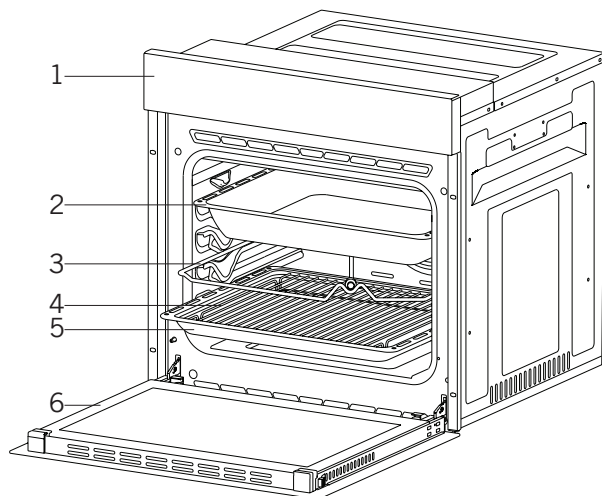
- Cable fásico marrón (a terminal activo)
- Cable azul hacia la terminal neutra
- Cable amarillo-verde hacia la terminal de tierra

Los conmutadores de desconexión del horno deben estar en un sitio accesible para el usuario final cuando el horno esté en su sitio.

El cable de alimentación (cable de enchufado) no debe tocar las zonas calientes del aparato.

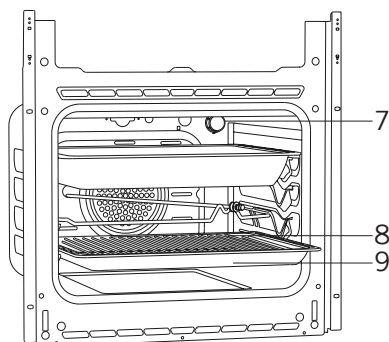
Si el cable de alimentación (cable de enchufado) está dañado, el importador, su agente de servicio o personal igualmente cualificado deberán sustituirlo para evitar situaciones de peligro.

PRESENTACIÓN DEL APARATO



- 1. Panel de control
- 2. Bandeja honda *
- 3. Brocheta para el pollo asado *

- 4. En la parrilla de rejilla de la bandeja
- 5. Bandeja estándar
- 6. Puerta del horno



- 7. Lámpara
- 8. En la parrilla de la bandeja de alambre
- 9. Bandeja estándar

Accesorios (opcional)



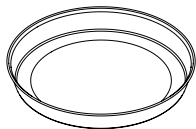
Bandeja profunda *

Se utiliza para pastelería, fritas y guiso. También puede utilizarla como recipiente de acumular aceite cuando se cocina pastel, comidas congeladas y comidas de carne directamente sobre parrilla.



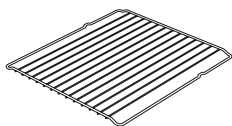
Bandeja / Bandeja vidrio *

Se utiliza para pastelería (galleta e.t.c) y alimentos congelados.



Bandeja redonda *

Se utiliza para pastelería congelada.



Parrilla de alambre

Se utiliza para poner en estantería deseada las comidas congeladas, las comidas para freír o las comidas al horno.



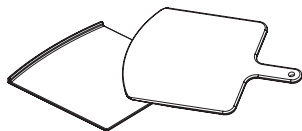
Carril telescópico *

Gracias a reiles telescópicos las bandejas o estantería de alambre se puede poner y quitar fácilmente.



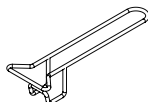
Parrilla de alambre dentro de bandeja *

Los alimentos que pueden pegar al cocinar como bistec se pueden cocinar sobre la parrilla de alambre dentro de la bandeja. Así se evita que los alimentos se peguen a la bandeja.



Piedra para pizzas y película *

Se utilizan para hornear platos como pizzas, pan, tortitas y también para sacar del horno los alimentos.



Asa de la bandeja *

Se usa para sostener bandejas calientes.

Especificaciones Técnicas

Especificaciones	SES 6004 / SES 6204 / MES 8007 / MDS 8007			
Potencia de la lámpara	15-25 W			
Termostato	40-240 / Máx °C			
Calefactor inferior	1200 W			
Calefactor superior	1000 W			
Calefactor turbo	1800 W			
Calefactor de la parrilla	Parrilla pequeña	1000 W	Parrilla grande	2000 W
Suministro de corriente	220V-240 V 50/60 Hz.			

Especificaciones	MDS-8008			
Potencia de la lámpara	15-25 W			
Termostato	40-240 / Max °C			
Calefactor inferior	1200 W			
Calefactor superior	1200 W			
Calefactor turbo	1800 W			
Calefactor de la parrilla	Parrilla pequeña	1200W	Parrilla grande	2400W
Suministro de corriente	220V-240 V 50/60 Hz.			

Las especificaciones técnicas pueden modificarse sin previo aviso para mejorar la calidad del producto.

Los valores proporcionados con el aparato o los documentos adjuntos son mediciones realizadas por laboratorios según los estándares correspondientes. Estos valores pueden variar según el uso y las condiciones ambientales.

Las cifras de esta guía son esquemáticas y puede que no coincidan exactamente con el producto.

INSTALACIÓN DEL APARATO

Asegúrese de que la instalación eléctrica sea apta para el funcionamiento del aparato. Si no, llame a un electricista y a un fontanero para realizar los arreglos necesarios. La firma fabricante no se responsabilizará por los daños que puedan ocasionarse debido al uso por parte de personas no autorizadas y la garantía quedará invalidada.

ADVERTENCIA: Es la responsabilidad del cliente preparar el emplazamiento en el que vaya a colocarse el aparato, así como el suministro eléctrico.

ADVERTENCIA: Deberán respetarse las normativas eléctricas locales durante la instalación del aparato.

ADVERTENCIA: Compruebe que no haya daños en el producto antes de instalarlo. No instale el producto si está dañado. Los productos dañados suponen un riesgo para su seguridad.

Advertencias importantes para la instalación:

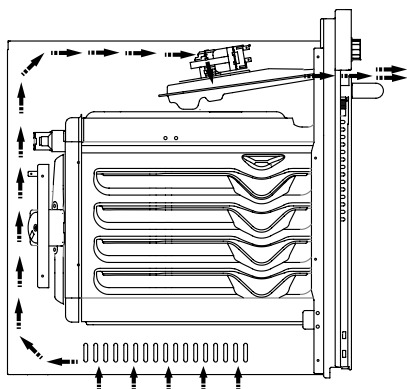


Figura 1

El ventilador de refrigeración extraerá vapor adicional para evitar el sobrecalentamiento de las superficies externas durante el funcionamiento del horno. Esta es una condición necesaria para una mejor cocción y funcionamiento del aparato. El ventilador de refrigeración seguirá funcionando después de finalizar la cocción. El ventilador se detendrá automáticamente después de que la refrigeración haya finalizado. Debe dejar un espacio detrás del lugar donde coloque el aparato para

un funcionamiento bueno y eficiente. No ignore este espacio, puesto que es necesario para el funcionamiento del sistema de ventilación del aparato.

Colóquelo en el sitio correcto

El producto se ha diseñado para montarse en encimeras comerciales. Deje una distancia de seguridad entre el producto y las paredes o los muebles de la cocina. Vea la ilustración en la siguiente página para obtener las distancias adecuadas. (Los valores son en mm).

- Las superficies utilizadas, las láminas sintéticas y adhesivos deben ser resistentes al calor. (mínimo 100 °C)
- Los armarios de cocina deben estar anivelados y fijados con el producto.
- Si hay un cajón debajo del horno, coloque una rejilla entre ambos.

ADVERTENCIA: No coloque el producto al lado de frigoríficos o refrigeradores. El calor emitido por el producto aumenta el consumo de energía de los aparatos de refrigeración.

ADVERTENCIA: No use la puerta y/o asa para llevar o mover el aparato.

Instalación y montaje del horno incorporado de 60 cm

Deberá escoger el lugar para la instalación del producto antes de empezar la instalación.

No instale el aparato en lugares donde haya fuertes corrientes de aire.

Para el traslado del aparato serán necesarias, al menos, dos personas. Para evitar dañar el suelo, no arrastre el aparato.

Retire todos los materiales de transporte de dentro y fuera del producto. Retire todos los materiales del producto.

Instalación debajo del mostrador

El armario del horno debe tener las dimensiones indicadas en la figura 2.

Para poder alcanzar la ventilación necesaria, deberá dejar un espacio en la parte posterior del armario tal como se indica en la imagen.

Después de montarlo, el espacio entre la parte inferior y superior del mostrador se indica en la figura 5 con «A». Es para la ventilación y no debe cubrirlos.

Instalación en un armario elevado

El armario del horno debe tener las dimensiones indicadas en la figura 4.

Deberán dejarse los espacios con las dimensiones indicadas en la imagen en la parte posterior del armario y las partes superiores e inferiores para obtener la ventilación necesaria.

Requisitos de instalación

Las dimensiones del producto se indican en la figura 3.

Las superficies de los muebles para el montaje y los materiales de montaje deben tener una resistencia de temperatura mínima de 100 °C.

Deberá fijar el armario de montaje. La superficie debe ser plana para evitar que el aparato se incline.

La base del armario debe ser lo suficientemente fuerte como para soportar una carga de 60 kg.

Colocar y fijar el horno

Coloque el horno en el armario con dos o más personas.

Asegúrese de que el marco del horno y el borde frontal de los muebles coincidan de manera uniforme.

El cable de alimentación no debe estar debajo del horno, apretado entre el horno y los muebles o doblarse.

Fije el horno a los muebles con los tornillos incluidos con el producto. Los tornillos deben colocarse tal como se indica en la figura 5 pasándolos a través de plásticos fijados en el marco del aparato. No apriete los tornillos en exceso. De lo contrario, puede que las cavidades de los tornillos se desgasten.

Compruebe que el horno no se mueva después de montarlo. Si no monta el horno según las instrucciones, hay riesgo de que se incline durante el funcionamiento.

Conexión eléctrica

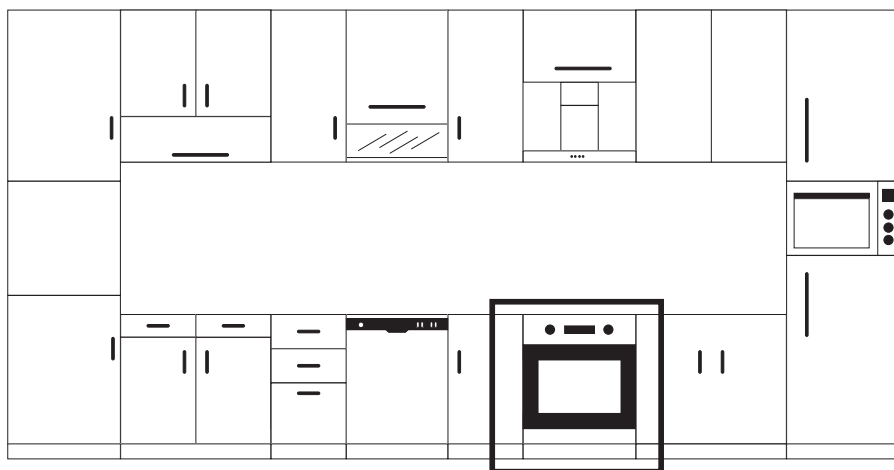
El lugar de instalación del producto debe contar con la instalación eléctrica adecuada.

La tensión de red debe ser compatible con los valores indicados en la placa de características del aparato.

La conexión del producto deberá realizarse según las normativas eléctricas locales y nacionales.

Antes de empezar la instalación, desconecte la red eléctrica. No conecte el aparato a la red hasta haber finalizado su instalación.

Instalación



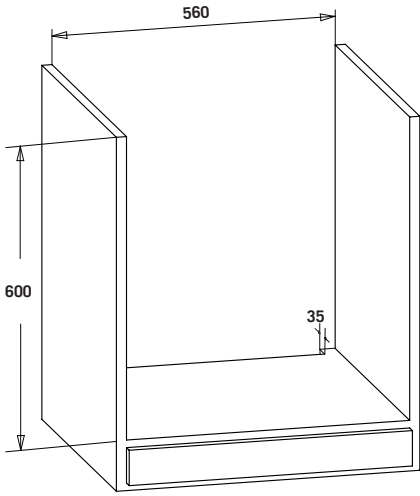


Figura 2

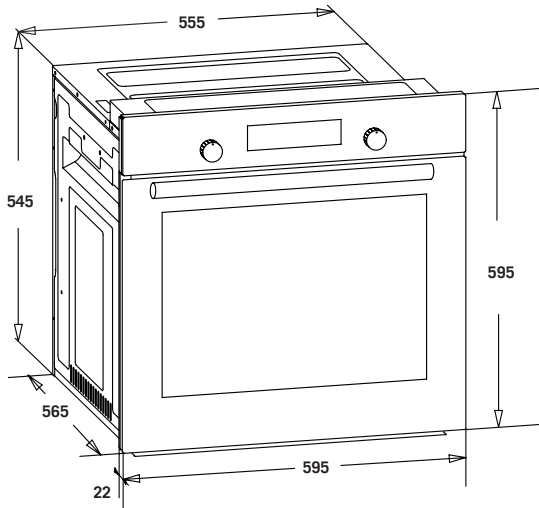
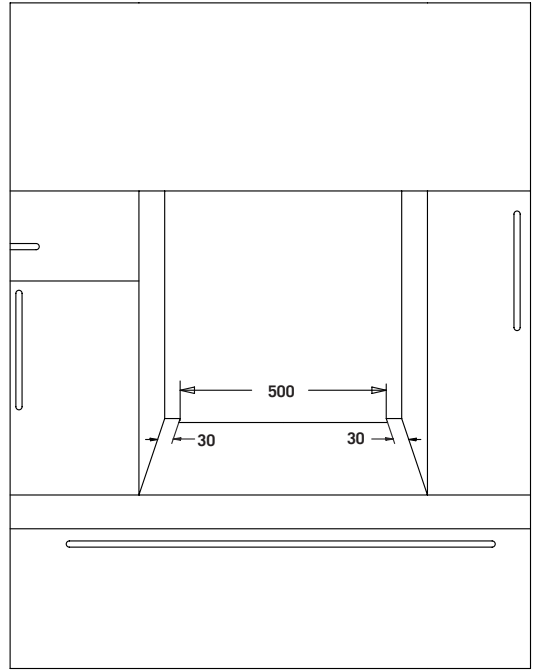


Figura 3

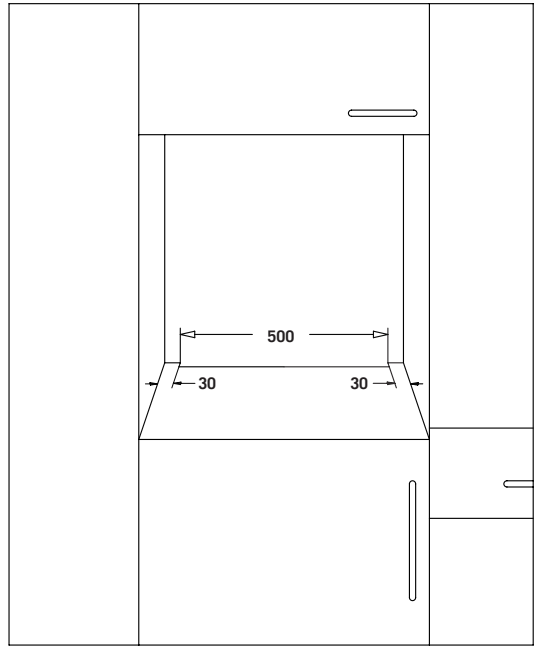
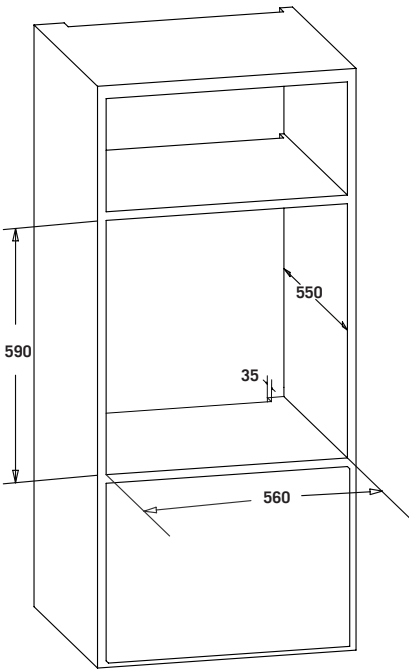
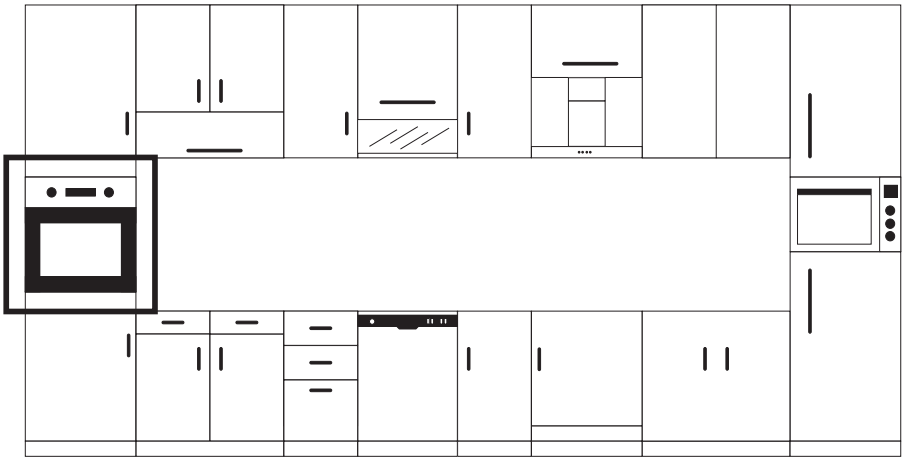


Figura 4

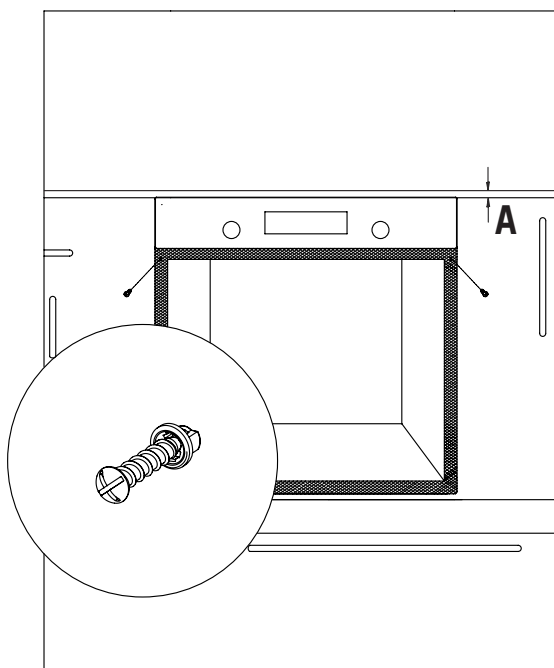


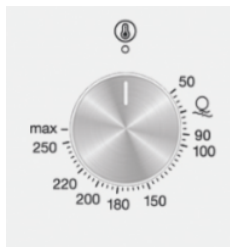
Figura 5

PANEL DE CONTROL

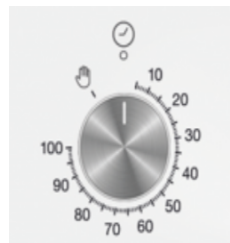


1. Botón de función
2. Temporizador mecánico o digital
3. Termostato

ADVERTENCIA: El panel de mandos de arriba es solo para fines ilustrativos. Considere el panel de mandos en su dispositivo.



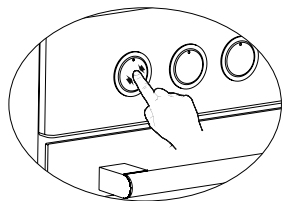
Botón del termostato: Le ayudará a configurar la temperatura de cocción de los alimentos que vayan a cocinarse en el horno. Gire el botón después de colocar los alimentos en el horno para establecer la temperatura deseada. Compruebe la tabla relacionada con las temperaturas de cocción de varios alimentos.



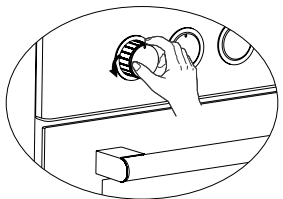
Perilla del temporizador mecánico*: Le ayudará a configurar el tiempo de cocción de los alimentos que vayan a cocinarse en el horno. El temporizador desactiva los calefactores cuando finaliza el tiempo establecido y le avisará de ello con un timbre. Consulte los tiempos de cocción en la tabla de cocción.

Utilizando El Botón Pop-Up *

El ajuste puede realizarse únicamente cuando se haga salir el botón en los modelos con botón emergente.



Asegúrese de que el botón emerja pulsándolo tal como se muestra en la imagen de la izquierda.



Podrá realizar los ajustes necesarios girándolo hacia la derecha o izquierda cuando el botón haya salido lo suficiente.

USO DEL HORNO

Uso inicial del horno

Deberá hacer lo siguiente cuando use el horno por primera vez y lleve a cabo las conexiones necesarias según las instrucciones:

1. Retire las etiquetas o los accesorios de dentro del horno. Si los hay, retire el folio de protección del lado frontal del aparato.

2. Retire el polvo y los restos del embalaje limpiando el interior con un paño húmedo. El interior del horno debe estar vacío. Enchufe el cable del aparato en la toma de corriente.

3. Ajuste el botón del termostato a la temperatura más alta (Máx. 240 °C) y haga funcionar el horno durante 30 minutos con la puerta cerrada. Mientras, puede que se produzca un poco de humo y mal olor, lo que es normal.

4. Limpie el interior del horno con agua ligeramente templada con detergente después de que se haya enfriado. Luego, séquelo con un paño limpio. Ahora podrá usar el horno.

Uso normal del horno

1. Ajuste el botón del termostato y la temperatura a la cual desee preparar los alimentos para empezar la cocción.

2. Podrá fijar el tiempo de cocción como desee con el botón de los modelos del temporizador mecánico. El temporizador desactivará los calefactores cuando el tiempo haya finalizado y emitirá un pitio como advertencia auditiva.

3. El temporizador desactivará los calefactores y emitirá una señal auditiva cuando el tiempo de cocción haya finalizado de acuerdo a la información introducida en los modelos con temporizador digital.

4. El sistema refrigerante del aparato seguirá funcionando después de completar la cocción. No corte el suministro eléctrico del aparato en esta situación, ya que es necesario para que éste se enfríe. El sistema se apagará una vez el enfriamiento se haya completado.

Uso De La Parrilla

1. Cuando coloque la parrilla en el estante superior, la comida en la parrilla no tocará la parrilla.

2. Puede precalentar durante 5 minutos mientras asa a la parrilla. Si es necesario, puede voltear la comida boca abajo.

3. La comida debe estar en el centro de la parrilla para proporcionar el máximo flujo de aire a través del horno.

Para encender la parrilla:

1. Coloque el botón de función sobre el símbolo de la parrilla.

2. Luego, ajústelo a la temperatura deseada de la parrilla.

Para apagar la parrilla:

Coloque el botón de función en la posición de apagado.

ADVERTENCIA: Mantenga la puerta del horno cerrada mientras cocina a la parrilla.

Uso Del Asador De Pollo *

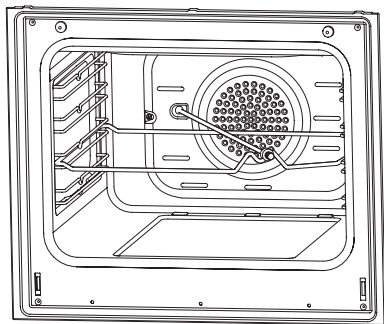


Figura 6

Coloque el asador en el marco. Deslice y gire el marco en el horno al nivel deseado. Ponga una sartén en la parte inferior para recoger los restos. Añada un poco de agua a la sartén para limpiarla más fácilmente. No olvide quitar la parte de plástico del asador. Después de terminar con la parrilla, atornille la asa de plástico a la brocheta y saque la comida del horno.

TÍPOS DE PROGRAMAS



Botón del programa: Le ayudará a establecer con qué calefactores se cocerán los alimentos colocados en el horno. A continuación se indican los tipos de programas de calefacción y sus funciones. Puede que no todos los modelos tengan todos los tipos de calefactores y, por consiguiente, los tipos de estos calefactores.

A continuación se indican los tipos de programas de calefacción del aparato y explicaciones importantes para que pueda cocinar varios alimentos según sus gustos personales.

	Elementos calefactores inferiores y superiores		Ventilador
	Elemento calefactor inferior y ventilador		Calefactor turbo y ventilador
	Parrilla y pollo asado		Elemento calefactor inferior-superior y ventilador
	Elemento calefactor inferior y superior y ventilador		Parrilla y ventilador
	Cocción multifunción (3D)		Parrilla
	Elemento calefactor inferior		Elemento calefactor superior
	Parrilla inteligente y ventilador		Limpieza con vapor

Elemento calefactor inferior: Seleccione este programa hacia el final del tiempo de cocción si va a asar la parte inferior de los alimentos.

Elemento calefactor superior: Se usa para calentar o asar posteriormente cantidades muy pequeñas de alimentos.

Elemento calefactor inferior y superior: Un programa que puede usarse para cocinar alimentos como por ejemplo pasteles, pizza y galletas.

Elemento calefactor inferior y ventilador: Se usa principalmente para cocinar alimentos tales como pasteles de fruta.

Elemento calefactor inferior y superior y ventilador: El programa es apto para cocinar alimentos como por ejemplo pasteles, bizcocho, lasaña. Apto también para cocinas platos de carne.

Parrilla: La parrilla se usa para asar platos de carne como por ejemplo estofados, salchichas y pescado. Mientras esté en la parrilla, la bandeja debe estar colocada en el estante inferior con agua dentro.

Calefactor turbo y ventilador: Apto para hornear y asar. Mantenga el ajuste de calor más bajo que el programa «del calefactor inferior y superior», ya que el calor se mueve inmediatamente a través del flujo de aire.

Parrilla y ventilador: Es adecuado para cocinar alimentos cárnicos. No se olvide de colocar una bandeja de cocción en una rejilla inferior dentro del horno y un poco de agua.

Cocción multifunción (3D): Apto para hornear y asar. Los calefactores inferiores y superiores funcionan también con la transmisión rápida de calor a través de flujos de aire. Es apto para las cocciones que requieran una única bandeja y calor intenso.

RECOMENDACIONES PARA LA COCCIÓN

En la siguiente tabla podrá encontrar información acerca de los tipos de alimentos que hemos probado y de los cuales hemos identificado sus valores de cocción en nuestros laboratorios. Los tiempos de cocción pueden variar según la tensión de red, la calidad, la cantidad y la temperatura del material a cocinar. Puede que los platos que pueda preparar con estos valores no sean de su gusto. Puede ajustar diferentes valores por su cuenta para obtener varios sabores y resultados a su gusto realizando pruebas.

ADVERTENCIA: Deberá precalentar el horno durante 7-10 minutos antes de colocar alimentos en él.

Tabla De Cocción

SES 6004 / SES 6204 / MES 8007 / MDS 8007:

Alimentos	Función de cocción	Temperatura de cocción (°C)	Parrilla de cocción	Tiempo de cocción (mín.)
Pastel	Estático / Estático+ventilador	170-180	2-3	35-45
Pastel pequeño	Estático / Turbo+ventilador	170-180	2	25-30
Tarta	Estático / Estático+ventilador	180-200	2	35-45
Pastelería	Estático	180-190	2	20-25
Galletas	Estático	170-180	2	20-25
Tarta de manzana	Estático / Turbo+ventilador	180-190	1	50-70
Bizcocho	Estático	200/150 *	2	20-25
Pizza	Ventilador estático	180-200	3	20-30
Lasaña	Estático	180-200	2-3	25-40
Merengue	Estático	100	2	50
Pollo asado **	Parrilla+ventilador	200-220	3	25-35
Pescado a la parrilla **	Parrilla+ventilador	200-220	3	25-35
Bistec de ternera **	Parrilla+ventilador	Máx	4	15-20
Albóndigas a la parrilla **	Parrilla+ventilador	Máx	4	20-25

* No precalentar. Se recomienda que la primera mitad de la cocción sea a 200 °C, mientras que la otra mitad se lleve a cabo a 150 °C.

** Deberá dar la vuelta a los alimentos una vez transcurrida la mitad del tiempo de cocción.

MDS 8008:

Alimentos	Función de cocción	Temperatura de cocción (°C)	Parrilla de cocción	Tiempo de cocción (mín.)
Pastel	Estático / Estático+ventilador	170-180	2-3	30-35
Pastel pequeño	Estático / Turbo+ventilador	170-180	2-3	25-30
Tarta	Estático / Estático+ventilador	180-200	2-3	30-35
Pastelería	Estático	180-190	2	25-30
Galletas	Estático / Turbo+ventilador	170-180	2-3	20-30
Tarta de manzana	Estático / Turbo+ventilador	180-190	2-3	40-50
Bizcocho	Estático / Turbo+ventilador	200/150 *	2-3	25-30
Pizza	Estático / Turbo+inferior	180-200	3	20-30
Lasaña	Estático	180-200	2-3	20-25
Merengue	Estático/ Inferior-superior+ventilador	100	2-3	60-70
Pollo asado **	Parrilla / Inferior-superior+ventilador	200-220	2-3	25-30
Pescado a la parrilla **	Parrilla	190-200-220	3-4	20-25
Bistec de ternera **	Parrilla	230	5	25-30
Albóndigas a la parrilla **	Parrilla	230	5	20-35

* No precalentar. Se recomienda que la primera mitad de la cocción sea a 200 °C, mientras que la otra mitad se lleve a cabo a 150 °C.

** Deberá dar la vuelta a los alimentos una vez transcurrida la mitad del tiempo de cocción.

Hornear Con La Piedra Para Pizzas *

Cuando cocine con piedra para pizza, coloque ésta sobre la parrilla y precaliente el horno en el modo pizza (turbo + inferior) a 230°C durante 30 minutos. Una vez que se haya precalentado y sin quitar la piedra para pizza, coloque la pizza sobre ella con la lámina (no coloque pizzas congeladas) y hornee a 180°C durante 20-25 minutos. Al finalizar la cocción, retire la pizza del horno con la película.

ADVERTENCIA: No coloque la piedra para pizzas en un horno precalentado.

ADVERTENCIA: Al finalizar la cocción, no saque la piedra para pizzas cuando está caliente y no lo coloque sobre superficies frías. De lo contrario, se puede agrietar.

ADVERTENCIA: No exponga la piedra para pizza a la humedad.

MANTENIMIENTO Y LIMPIEZA

1. Retire el enchufe de la toma de corriente.
2. No limpie las piezas internas, el panel, las bandejas y otras piezas del aparato con herramientas sólidas tales como un cepillo de cerdas, lana de acero o cuchillo. No use materiales abrasivos o raspantes ni detergente.
3. Tras la limpieza de las partes interiores del horno con un paño jabonoso, enjuáguelo y luego séquelo bien con un paño suave.
4. Limpie las superficies de cristal con productos de limpieza específicos para cristal.
5. No limpie el horno con limpiadores a vapor.
6. No utilice nunca productos inflamables como ácido, disolvente y gas mientras limpie el aparato.
7. Nunca lave ninguna parte del producto del aparato.
8. Use estearato de potasio (jabón suave) para la suciedad y manchas.

Limpieza Con Vapor *

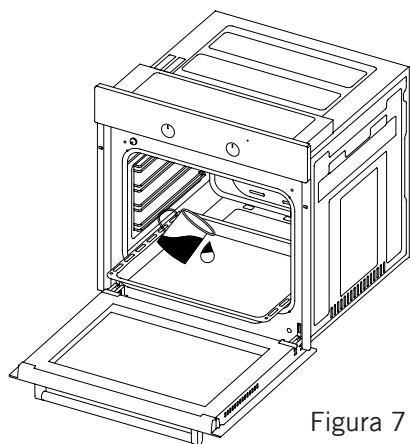


Figura 7

Le permitirá lavar los restos sólidos ablandados gracias al vapor generado en el horno.

1. Retire todos los accesorios del horno.
2. Vierta medio litro de agua en la bandeja y colóquela en la parte inferior del calentador.
3. Fije el interruptor en el modo de limpieza con vapor.
4. Fije el termostato a 70 °C y utilice el horno durante 30 minutos.
5. Después de utilizar el horno durante 30 minutos, abra la puerta del horno y limpie las superficies internas con un paño húmedo.
6. Use un líquido para lavar platos, agua tibia y un paño suave para la suciedad más incrustada. Luego, seque la zona que acaba de limpiar con un paño seco.

Limpieza Y Montaje De La Puerta Del Horno

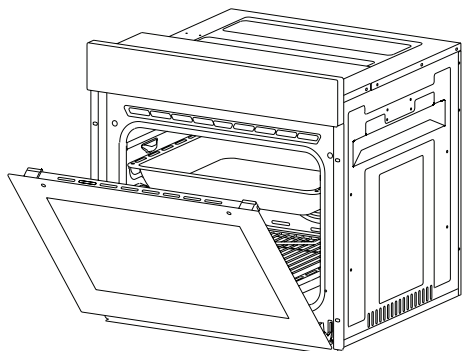


Figura 8

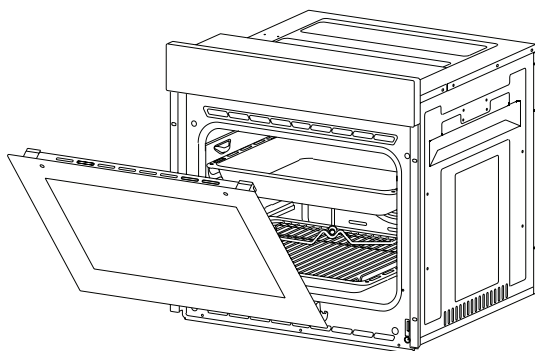


Figura 9

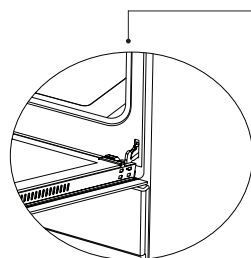


Figura 8.1

Abra la puerta totalmente tirando de ella hacia usted. Luego, desbloquéela tirando del bloqueo de bisagra hacia arriba con la ayuda de un destornillador tal como se indica en la **figura 8.1**.

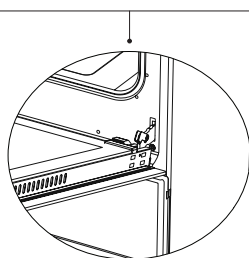


Figura 8.2

Fije el bloqueo de bisagra al mayor ángulo tal como se indica en la **figura 8.2**. Ajuste a la misma posición las dos bisagras que conectan la puerta con el horno.

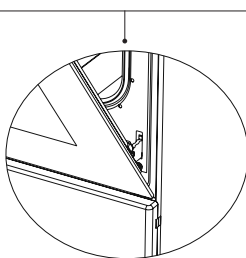


Figura 9.1

Más adelante, cierre la puerta para que quede en una posición en contacto con el bloqueo de la bisagra tal como se muestra en la **figura 9.1**.

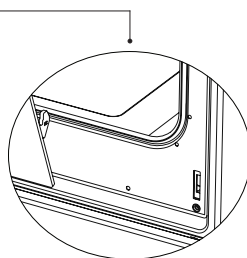


Figura 9.2

Para poder retirar la puerta del horno fácilmente, cuando se aproxime a la posición de cierre, coja la cubierta con las dos manos tal como se muestra en la **figura 9.2** y tire hacia arriba.

Haga lo mismo que hizo en orden inverso mientras abría la puerta para volver a colocar la puerta del horno.

Limpieza Del Cristal Del Horno

Levántelo presionando los lotes de plástico tanto en los lados izquierdo y derecho como se muestra en la figura 10 y tirándolo hacia usted mismo como se muestra en la figura 11. El cristal se soltará después de retirar el perfil tal como se indica en la figura 12. Retire el cristal que se ha soltado tirándolo hacia usted con cuidado. Fije el cristal exterior al perfil de la puerta del horno. Podrá lavar los cristales fácilmente después de retirarlos. Después de haber finalizado la limpieza y el mantenimiento, podrá volver a colocar los cristales siguiendo los mismos pasos en sentido inverso. Asegúrese de que el perfil esté colocada correctamente en su sitio.

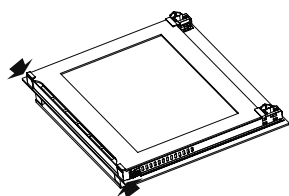


Figura 10

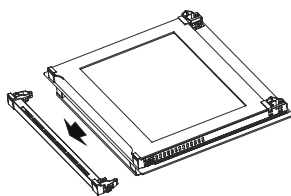


Figura 11

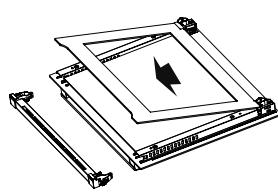


Figura 12

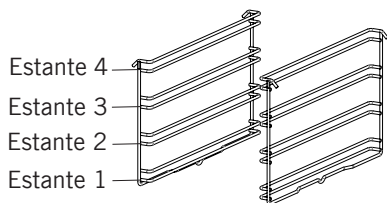
Paredes Catalíticas *

Las paredes catalíticas a la izquierda y a la derecha debajo de las guías. Las paredes catalíticas expulsan el mal olor y ofrecen el mejor rendimiento por parte de la cocina. Las paredes catalíticas también absorben los residuos de aceite y limpian el horno mientras está funcionando.

Retirar las paredes catalíticas

Para retirar las paredes catalíticas, debe extraer las guías. Tan pronto como haya extraído las guías, las paredes catalíticas se liberarán automáticamente. Las paredes catalíticas deben cambiarse cada 2-3 años.

Posiciones Del Estante



Es importante colocar la rejilla de alambre en el horno adecuadamente. No permita que el estante de alambre toque la pared trasera del horno. Las posiciones de los estantes se muestran en la siguiente figura. Puede colocar una bandeja profunda o una bandeja estándar en los estantes de alambre inferior y superior.

Instalación y eliminación de estantes de alambre

Para quitar los estantes de alambre, presione los clips que se muestran con las flechas en la figura, primero quite la parte inferior y la parte superior de la ubicación de instalación. Para instalar estantes de alambre, invierta el procedimiento para quitar el estante de alambre.

Recambio De La Luz Del Horno

ADVERTENCIA: Para evitar descargas eléctricas, asegúrese de abrir el circuito del aparato antes de cambiar la luz. (tener el circuito abierto significa que el suministro eléctrico está desactivado)

En primer lugar, desconecte el suministro eléctrico del aparato y asegúrese de que el aparato esté frío.

Retire la protección de cristal girándolo tal como se indica en la figura lateral izquierda. Si tiene alguna dificultad para realizar el giro, usar guantes de plástico le ayudará.

Luego, gire la lámpara para retirarla y coloque la nueva lámpara de la misma manera. Las características de la lámpara son las siguientes;

Vuelve a colocar la protección de cristal del aparato en la toma de corriente y finalice la sustitución. Ahora podrá usar el horno.

Tipo G9 Lámpara



220-240 V, AC
15-25 W

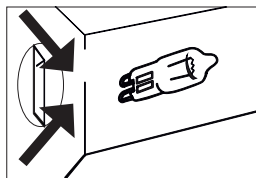
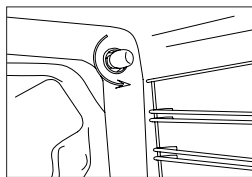


Figura 13

Tipo E14 Lámpara



220-240 V, AC
15 W

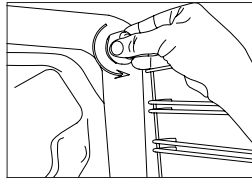


Figura 14

SOLUCIÓN DE PROBLEMAS

Puede resolver los problemas que puede encontrar con su producto al verificar los siguientes puntos antes de llamar al servicio técnico.

Puntos de verificación

En caso de que experimente un problema con el horno, primero revise la tabla a continuación y pruebe las sugerencias.

Problema	Causa probable	Qué hacer
El horno no funciona.	Suministro eléctrico no disponible.	Verifique el suministro de energía.
El horno se detiene durante la cocción.	El enchufe se sale de la toma de corriente.	Vuelva a instalar el enchufe en la toma de corriente.
Se apaga durante la cocción.	Operación continua demasiado larga.	Deje que el horno se enfríe después de largos ciclos de cocción.
	El ventilador no funciona	Escuche el sonido del ventilador de enfriamiento.
	Horno no instalado en un lugar con buena ventilación.	Asegúrese de que guardar los espacios libres indicados en el manual de instrucciones.
	Más de un enchufe en un enchufe de corriente.	Use solo un enchufe para cada enchufe de corriente.
Superficie exterior del horno se calienta mucho durante su funcionamiento.	Horno no instalado en un lugar con buena ventilación.	Asegúrese de que guardar los espacios libres indicados en el manual de instrucciones.
La puerta del horno no se abre correctamente.	Restos de alimentos atascados entre la puerta y la cavidad interna.	Limpiar bien el horno y tratar de volver a abrir la puerta.
La luz interna es débil o no funciona.	Objeto extraño que cubre la lámpara durante la cocción.	Limpe la superficie interna del horno y revise nuevamente.
	La lámpara podría estar fallando.	Reemplace con una lámpara con las mismas características técnicas.
Choque eléctrico al tocar el horno.	Sin una conexión a tierra adecuada.	Asegúrese de que la red eléctrica tenga una correcta toma a tierra.
	Se usa una toma de corriente sin conexión a tierra.	

Problema	Causa probable	Qué hacer
Goteo de agua	El agua o el vapor se pueden generar bajo ciertas condiciones dependiendo de la comida que se cocina. Esto no es un error del aparato.	Deje que el horno se enfríe y luego séquelo con un trapo de cocina.
Sale vapor de una grieta en la puerta del horno.		
Hay agua dentro del horno.		
El ventilador de refrigeración seguirá funcionando tras terminar la cocción.	El ventilador funciona durante un cierto período para la ventilación de la cavidad interna del horno.	Esto no es una falla del aparato; por lo tanto no debe preocuparse.
El horno no calienta.	La puerta está abierta.	Cierre la puerta y reinicie.
	Controles del horno no ajustados correctamente.	Lea la sección sobre el funcionamiento del horno y reinicie el horno.
	Fusible disparado o interruptor automático apagado.	Sustituya el fusible o reinicie el interruptor. Si esto se repite con frecuencia, llame a un electricista.
Humo que sale durante el funcionamiento.	Cuando utilice el horno por primera vez	El humo sale de los calentadores. Esto no es una falta. Después de 2-3 ciclos, no habrá más humo.
	Comida en el calentador.	Deje que el horno se enfríe y limpie los residuos de comida del suelo del horno y la superficie del calentador superior.
Cuando utilice el horno, saldrá olor a quemado o plástico.	Se usan accesorios plásticos u otros accesorios no resistentes al calor dentro del horno.	A altas temperaturas, debe usar accesorios de cristalería adecuados.
El horno no cocina bien.	La puerta del horno se abre con frecuencia durante la cocción.	No abra la puerta del horno con frecuencia, si la comida que está cocinando no requiere ser volteada. Si abre la puerta con frecuencia, la temperatura interna disminuirá y, por lo tanto esto influirá en el resultado de la cocción.

REGLAS DE MANIPULACIÓN

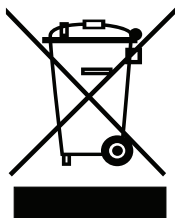
1. No use la puerta y/o el asa para transportar o mover el aparato.
2. Realice el movimiento y el transporte en el embalaje original.
3. Preste la máxima atención al aparato mientras es cargado / descargado y manipulado.
4. Asegúrese de que el embalaje esté bien cerrado durante la manipulación y el transporte.
5. Proteja de factores externos (como humedad, agua, etc.) que puedan dañar el embalaje.
6. Tenga cuidado de no dañar el aparato debido a golpes, colisiones, caídas, etc. mientras lo manipula y transporta, y no lo rompa ni lo deforme durante el funcionamiento.

RECOMENDACIONES PARA EL AHORRO DE ENERGÍA

Los siguientes detalles le ayudarán a usar su producto ecológica y económicamente.

1. Use envases de color oscuro y esmalte que conducen mejor el calor en el horno.
2. Mientras cocina su comida, si la receta o el manual del usuario indican que se requiere precalentar, precaliente el horno.
3. No abra la puerta del horno con frecuencia mientras cocina.
4. Trate de no cocinar múltiples platos simultáneamente en el horno. Puede cocinar al mismo tiempo colocando dos hornillas en el estante de rejilla.
5. Cocine múltiples platos sucesivamente. El horno no perderá calor.
6. Apague el horno unos minutos antes del tiempo de caducidad de la cocción. En este caso, no abra la puerta del horno.
7. Descongele la comida congelada antes de cocinar.

ELIMINACIÓN RESPETUOSA CON EL MEDIO AMBIENTE



Deshágase del embalaje de una manera respetuosa con el medio ambiente.

El aparato está etiquetado según la directiva europea 2012/19/EU sobre aparatos eléctricos y electrónicos usados (residuos de equipo eléctrico y electrónico - WEE por sus siglas en inglés). La directiva establece el marco para la devolución y el reciclaje de aparatos usados como corresponde en toda la UE.

INFORMACIÓN SOBRE EL EMBALAJE

El embalaje del aparato se fabrica con materiales reciclables, de acuerdo con nuestro Reglamento Nacional sobre Medio Ambiente. No elimine los materiales de embalaje junto con los residuos domésticos o de otro tipo. Llévelos a uno de los puntos de reciclaje designado por las autoridades locales.

Caro Cliente,

Obrigado por confiar neste produto.

O nosso objetivo é permitir que utilize este produto amigo do ambiente, que é fabricado nas nossas modernas instalações sob condições estritas em relação ao sentido de qualidade global, da melhor maneira possível e de modo eficiente.

Recomendamos que leia integralmente este manual de funcionamento antes de utilizar o forno e conserve-o permanentemente para que as características do forno encastrado que adquiriu permaneçam as mesmas desde o primeiro dia e por muito tempo.

Observação: Este manual de utilização está preparado para vários modelos. O seu aparelho pode não apresentar algumas funções especificadas no manual.

As imagens do produto são esquemáticas.

Este produto foi produzido em instalações modernas amigas do ambiente, que não afetam negativamente a natureza.

Os produtos marcados com (*) são opcionais.

"Em conformidade com Regulamento AEEE"

Índice

Advertências importantes.....	75
Ligação elétrica.....	84
Acessórios.....	86
Especificações técnicas.....	87
Instalação do aparelho.....	87
Painel de controlo.....	93
Utilização do forno.....	95
Usar o grelhador.....	96
Usar o assador de frango.....	96
Tipos de programas.....	97
Recomendações para a cozedura.....	98
Tabela de cozedura.....	99
Cozer com pedra para pizza.....	100
Manutenção e limpeza.....	101
Limpeza a vapor.....	101
Limpeza e a montagem da porta do forno.....	102
Limpeza do vidro do forno.....	103
Posições da grelha.....	103
Substituição da lâmpada do forno.....	104
Resolução de problemas.....	105
Regras de manuseamento.....	107
Recomendações de eficiência energética.....	107
Eliminação amiga do ambiente.....	108
Informação sobre a embalagem.....	108

ADVERTÊNCIAS IMPORTANTES

1. A instalação e reparação devem ser sempre realizadas por **“ASSISTÊNCIA AUTORIZADA”**. O fabricante não será responsável pelas operações realizadas por pessoas não autorizadas.

2. Deve ler cuidadosamente estas instruções de funcionamento. Apenas desta forma pode usar o aparelho em segurança e de forma correta.

3. O forno deverá ser usado de acordo com as instruções de funcionamento.

4. Manter afastadas as crianças com menos de 8 anos e os animais quando estiver a utilizar.

5. **As peças acessíveis podem ficar quentes durante a utilização. Manter as crianças pequenas afastadas.**

6. **ADVERTÊNCIA: Perigo de incêndio: não armazenar os artigos sobre as superfícies de cozedura.**

7. **ADVERTÊNCIA: Durante a utilização o aparelho fica quente. Tomar cuidados para evitar tocar nos elementos de aquecimento dentro do forno.**

8. As condições de montagem deste dispositivo são especificadas na etiqueta. (Ou na chapa de dados)

9. As partes acessíveis podem ficar quentes quando o grelhador é usado. As crianças pequenas devem ser mantidas afastadas.

10. **ADVERTÊNCIA: Este aparelho é destinado para cozinhar. Não deve ser usado para outros fins como para aquecer uma sala.**

11. Não usar aparelhos de limpeza a vapor para limpar o aparelho.

12. Assegurar que a porta do forno está completamente fechada depois de colocar os alimentos dentro do forno.

13. NUNCA tentar apagar o fogo com água. Desligar apenas o circuito do dispositivo e cobrir a chama com uma cobertura ou uma manta corta-fogo.

14. **ADVERTÊNCIA: Manter afastadas as crianças com menos de 8 anos a menos que supervisionadas continuamente.**

15. Deve ser evitado tocar nos elementos de aquecimento.

16. **CUIDADO: O processo de cozedura deve ser vigiado. O processo de cozedura deve ser sempre vigiado.**

17. Este equipamento pode ser usado por crianças a partir de 8 anos e mais e por pessoas com capacidades físicas, sensoriais ou mentais reduzidas ou com falta de experiência e conhecimento se lhes tiver sido dada a supervisão ou instrução relativamente ao uso do equipamento de uma forma segura e entender os riscos envolvidos. As crianças não devem brincar com o aparelho. A limpeza e a manutenção do utilizador não devem ser feitas por crianças sem supervisão.

18. Este dispositivo foi concebido apenas para uso doméstico.

19. As crianças não devem brincar com o aparelho. A limpeza ou manutenção do utilizador não deve ser feita por crianças a menos que tenham mais de 8 anos e sejam vigiadas por adultos.

20. Manter o aparelho e o respetivo cabo de alimentação afastado das crianças com menos de 8 anos.

21. Colocar as cortinas, tules, papel ou qualquer material inflamável (comburente) longe do aparelho antes de começar a usar o aparelho. Não colocar materiais comburentes ou inflamáveis sobre ou no interior do aparelho.

22. Manter os canais de ventilação abertos.

23. O aparelho não é adequado para usar com um temporizador externo ou sistema de controlo remoto separado.

24. Não aquecer latas fechadas e frascos de vidro. A pressão pode levar os frascos a explodir.

25. A pega do forno não é um secador de toalhas. Não pendurar toalhas, etc. na pega do forno.

26. Não colocar os tabuleiros do forno, placas ou folhas de alumínio diretamente sobre a base do forno. O calor acumulado pode danificar a base do forno.

27. Ao colocar ou retirar alimentos do forno, etc., usar sempre luvas de forno resistentes ao calor.

28. Não usar o produto em estados como sob influência de medicamentos e/ou de álcool que possam afetar a sua capacidade de discernimento.

29. Ter cuidado quando usar álcool nos seus alimentos. O álcool irá evaporar a temperaturas elevadas e pode incendiar-se provocando um incêndio, se entrar em contacto com superfícies quentes.

30. Após cada utilização, verificar se a unidade está desligada.

31. Se o aparelho estiver defeituoso ou apresentar danos visíveis, não utilizar o aparelho.

32. Não tocar na ficha com as mãos molhadas. Não puxar o cabo para desligar, segurar sempre pela ficha.

33. Não usar o aparelho com o vidro da porta da frente retirado ou partido.

34. Colocar o papel vegetal junto com o alimento num forno pré-aquecido, colocando-o dentro de uma panela ou num acessório de forno (tabuleiro, grelha de arame, etc.).

35. Não colocar sobre o aparelho objetos que as crianças possam alcançar.

36. É importante colocar a grelha de arame e bandeja corretamente nas prateleiras de arame e/ou colocar corretamente o tabuleiro na prateleira. Colocar a grelha ou o tabuleiro entre duas guias e verificar se está equilibrada antes de colocar alimentos sobre ela.

37. Para evitar o risco de tocar nos elementos de aquecimento do forno, remover as partes excedentes do papel vegetal que ficar pendurado do acessório ou recipiente.

38. Nunca o usar em temperaturas do forno mais elevadas do que a temperatura máxima de uso indicada no papel vegetal. Não colocar o papel vegetal na base do forno. Para evitar o risco de tocar nos elementos de aquecimento do forno, remover as partes excedentes do papel vegetal que ficar pendurado do acessório ou recipiente.

39. Quando a porta estiver aberta, não colocar qualquer objeto pesado sobre a porta ou permitir que as crianças se sentem nela. Pode fazer com que o forno se vire ou as dobradiças da porta fiquem danificadas.

40. Os materiais de embalagem são perigosos para as crianças. Manter o material de embalagem afastado do alcance das crianças.

41. Não usar produtos de limpeza abrasivos ou raspadores metálicos afiados para limpar o vidro, pois os arranhões que podem ocorrer na superfície do vidro da porta podem provocar a quebra do vidro.

42. O utilizador não deve tratar do forno por si mesmo.

43. Durante a utilização as superfícies interior e exterior do forno ficam quentes. Ao abrir a porta do forno, recuar para evitar o vapor quente que sai do interior. Há risco de queimadura.

44. Não colocar objetos pesados quando a porta do forno estiver aberta, risco de queda.

45. O utilizador não deve deslocar a resistência durante a limpeza. Isso pode provocar um choque elétrico.

46. A alimentação do forno pode ser desligada durante qualquer trabalho de construção em casa. Depois de concluir o trabalho, deve ser a assistência autorizada a ligar de novo o forno.

47. Para evitar o sobreaquecimento, o aparelho não deve ser instalado atrás de uma cobertura decorativa.

48. Desligar o aparelho antes de retirar as proteções. Depois de limpar, instalar as proteções de acordo com as instruções.

49. O ponto de fixação do cabo deverá ser protegido.

50. Não deve cozinhar os alimentos diretamente sobre o tabuleiro/grelha. Deve colocar os alimentos dentro ou sobre ferramentas adequadas antes os pôr no forno.

Segurança elétrica

1. Ligar o aparelho a uma tomada com ligação à terra protegida por um fusível, em conformidade com os valores especificados no quadro de especificações técnicas.

2. Pedir a um electricista autorizado o equipamento de ligação à terra. A nossa empresa não será responsável pelos danos que serão incorridos devido ao uso do produto sem ligação à terra de acordo com os regulamentos locais.

3. Os interruptores do disjuntor do forno devem ser colocados de forma que o utilizador final os possa alcançar quando o forno estiver instalado.

4. O cabo de alimentação (o cabo com ficha) não deve entrar em contacto com as partes quentes do aparelho.

5. Se o cabo de alimentação (o cabo com ficha) estiver danificado, deve ser substituído pelo fabricante ou pelo seu agente de assistência ou por pessoal igualmente qualificado para evitar uma situação perigosa.

6. Nunca lavar o produto pulverizando-o ou deitando água sobre o mesmo! Há um risco de eletrocução.

7. ADVERTÊNCIA: Para evitar choque elétrico, verificar se o circuito do dispositivo está aberto antes de trocar a lâmpada.

8. ADVERTÊNCIA: Desligar todas as ligações do circuito de alimentação antes de aceder aos terminais.

9. Não usar cabos cortados ou danificados ou cabos de extensão que não sejam o cabo original.

10. Assegurar que não há líquido ou humidade na tomada onde a ficha do produto for instalada.

11. A superfície traseira do forno também aquece quando o forno está a funcionar. As ligações elétricas não devem tocar na superfície traseira, caso contrário as ligações podem ficar danificadas.

12. Não apertar os cabos de ligação à porta do forno e não os colocar sobre superfícies quentes. Se o cabo se derreter, isto pode causar curto-circuito no forno e até um incêndio.

13. Desligar a unidade da ficha durante a instalação, manutenção, limpeza e reparação.

14. Se o cabo de alimentação estiver danificado, deve ser substituído pelo fabricante ou pelo seu agente de assistência ou uma pessoa igualmente qualificada de modo a evitar alguma situação perigosa.

15. Assegurar que a ficha está firmemente inserida na tomada de parede para evitar faíscas.

16. Não usar aparelhos de limpeza a vapor para limpar o aparelho, caso contrário poderá ocorrer choque elétrico.

17. É necessária um interruptor unipolar capaz de desligar a fonte de alimentação para a instalação. O desligamento da fonte de alimentação deve ser fornecido com um interruptor ou um fusível integrado instalado na fonte de alimentação fixa de acordo com o código do edifício.

18. O aparelho está equipado com um cabo de fio **tipo “Y”**.

19. As ligações fixas devem ser ligadas a uma fonte de alimentação que permita desligamento unipolar. Para aparelhos com categoria de sobretensão abaixo de III, o dispositivo de desligamento deve ser ligado à fonte de alimentação fixa de acordo com o código de fiação.

Utilização prevista

- 1.** Este produto é concebido para utilização doméstica. Não é permitido o uso comercial do aparelho.
- 2.** Este aparelho apenas deve ser usado para fins culinários. Não deve ser usado para outros fins como para aquecer uma sala.
- 3.** Este aparelho não deve ser utilizado para aquecer placas sob o grelhador, secar roupa ou toalhas pendurando-as na pega ou para fins de aquecimento.
- 4.** O fabricante não assume responsabilidades por qualquer dano devido a uso indevido ou inadequado.
- 5.** Parte do forno da unidade pode ser usada para descongelar, assar, fritar e grelhar alimentos.
- 6.** A vida útil do produto que adquiriu é de 10 anos. Este é o período para o qual as peças de reposição necessárias para o funcionamento deste produto são fornecidas pelo fabricante, conforme definido.

Ligação Elétrica

Este forno deve ser instalado e ligado corretamente no seu local, de acordo com as instruções do fabricante e por um serviço autorizado.

O aparelho deve ser instalado num compartimento de forno provido de alta ventilação.

As ligações elétricas do aparelho devem ser realizadas apenas através de tomadas com uma ligação de terra em conformidade com os regulamentos. Contacte um eletricista autorizado se a tomada não estiver em conformidade com o sistema de terra onde o aparelho será instalado. A empresa fabricante não é responsável por danos resultantes da ligação de tomadas não ligadas à terra ao aparelho.

A ficha do seu forno deve estar ligada à terra; assegure-se que a tomada da ficha está ligada à terra. A ficha deve estar localizada num local que possa estar acessível após a instalação.

O seu forno tem sido fabricado como 220-240 V 50/60 Hz. A corrente elétrica AC está em conformidade e exige um fusível de 16 Amp. Se a sua rede de alimentação for diferente destes valores indicados, consulte um eletricista ou o seu serviço autorizado.

Quando precisar substituir o fusível elétrico, certifique-se de que a ligação elétrica é realizada do seguinte modo:

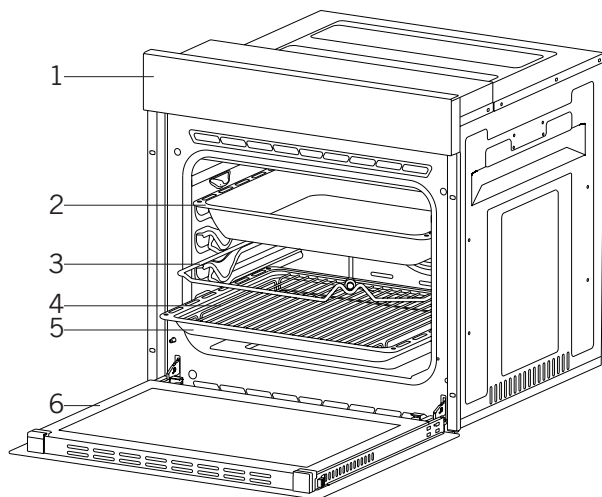
- Cabo castanho de fase (para terminal de corrente)
- Cabo azul para terminal neutro
- Cabo verde-amarelo para terminal de terra

Os interruptores de desligamento do forno devem estar num local acessível para o utilizador final quando o forno estiver instalado.

O cabo de alimentação elétrica (cabo de encaixe) não deve tocar nas partes quentes do aparelho.

Se o cabo de alimentação (cabo de encaixe) estiver danificado, este cabo deve ser substituído pelo importador ou pelo seu agente de serviço ou uma pessoa igualmente competente, a fim de se evitar uma situação de risco.

APRESENTAÇÃO DO APARELHO



1. Painel de controlo

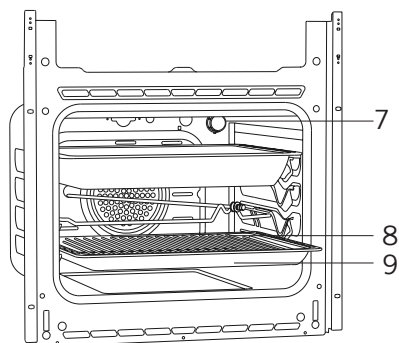
2. Tabuleiro fundo *

3. Espeto para assar frango *

4. Grelha de arame sobre o tabuleiro

5. Tabuleiro padrão

6. Porta do forno



7. Lâmpada

8. Grelha de arame sobre o tabuleiro

9. Bandeja padrão

Accessórios (opcional)



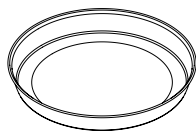
Tabuleiro fundo *

Utilizado para produtos de pastelaria, grandes assados, alimentos cozidos com água. Também pode ser utilizado como recipiente de recolha de óleo se assar diretamente no grelhador bolos, alimentos congelados e pratos de carne.



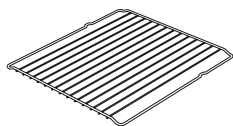
Tabuleiro / Tabuleiro vidro *

Utilizado para produtos de pastelaria (bolachas, biscoitos, etc), alimentos congelados.



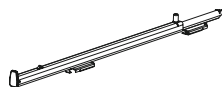
Tabuleiro redonda *

Utilizado para produtos de pastelaria alimentos congelados.



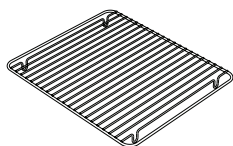
Grelha de arame

Utilizada para assar ou colocar alimentos que serão assados, gratinados e congelados no rack pretendido.



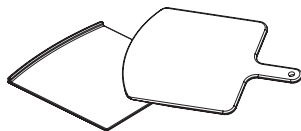
Friso telescópica *

Os tabuleiros e racks de arame podem ser removidos e instalados facilmente graças ao friso telescópico.



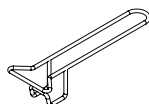
Grelha de arame sobre o tabuleiro *

Os alimentos que aderem ao cozinhar, como bifes, devem ser colocados na grelha do tabuleiro. Desse modo impede se o contacto do alimento com o tabuleiro.



Pedra para pizza e revestimento *

São utilizados para cozer massas como a da pizza, pão, panquecas e para remover os alimentos cozidos do forno.



Pega do tabuleiro *

É usada para segurar tabuleiros quentes.

Especificações Técnicas

Especificações	SES 6004 / SES 6204 / MES 8007 / MDS 8007			
Potência da lâmpada	15-25 W			
Termóstato	40-240°C máx.			
Aquecedor inferior	1200 W			
Aquecedor superior	1000 W			
Aquecedor turbo	1800 W			
Aquecedor do grelhador	Grelha pequena	1000 W	Grelha grande	2000 W
Tensão de alimentação	220V-240 V 50/60 Hz.			

Especificações	MDS 8008			
Potência da lâmpada	15-25 W			
Termóstato	40-240°C máx.			
Aquecedor inferior	1200 W			
Aquecedor superior	1200 W			
Aquecedor turbo	1800 W			
Aquecedor do grelhador	Grelha pequena	1200 W	Grelha grande	2400 W
Tensão de alimentação	220V-240 V 50/60 Hz.			

As especificações técnicas podem ser alteradas sem aviso prévio para melhorar a qualidade do produto.

Os valores fornecidos com o aparelho ou nos documentos que os acompanham são as leituras laboratoriais relacionadas com as respetivas normas. Estes valores podem variar consoante a utilização e as condições ambientais.

As figuras neste guia são esquemáticas podem não coincidir exatamente com o seu produto.

INSTALAÇÃO DO APARELHO

Certifique-se que a instalação elétrica é adequada para o funcionamento do aparelho. Se não for o caso, chame um electricista ou picheleiro para fazer as instalações necessárias. O fabricante não pode ser responsabilizado por danos derivados de operações por pessoas não autorizadas, que invalidarão a garantia.

AVISO: É de responsabilidade do cliente preparar o local onde o produto será posicionado e também as instalações de alimentação necessárias.

AVISO: As regras sobre as normas elétricas locais devem ser respeitadas durante a instalação do produto.

AVISO: Verifique se há danos no produto antes de instalá-lo. Não instale o produto se estiver danificado. Produtos danificados representam perigo para a sua segurança.

Avisos importantes para a instalação:

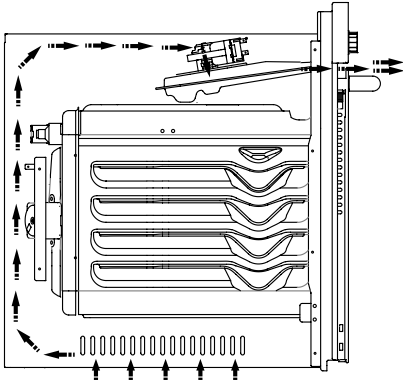


Figura 1

A ventoinha de arrefecimento expelle vapor extra e impede que as superfícies exteriores do aparelho sobreaqueçam durante o funcionamento do forno. Esta é uma condição necessária para um melhor funcionamento do aparelho e uma melhor cozedura. A ventoinha de arrefecimento continua a funcionar depois da cozedura estar concluída. A ventoinha irá parar automaticamente após o arrefecimento estar concluído. Deve ser deixado um espaço atrás do espaço onde instalará

o aparelho para um funcionamento eficiente e de boa qualidade. Este espaço não deve ser ignorado, já que é necessário para o sistema de ventilação do aparelho funcionar.

Local certo para a instalação

O produto foi concebido para ser montado em bancadas adquiridas no mercado. Deve ser deixada uma distância segura entre o produto e as paredes ou o mobiliário da cozinha. Consulte o desenho fornecido na página seguinte para as distâncias adequadas. (valores em mm)

- As superfícies, os laminados sintéticos e os adesivos utilizados devem ser resistentes ao calor. (mínimo 100 °C)
- Os armários de cozinha devem estar nivelados com o produto e fixados.
- Se houver uma gaveta abaixo do forno, deve ser colocado um rack entre o forno e a gaveta.

AVISO: Não instale o produto próximo a frigoríficos ou arrefecedores. O calor emitido pelo produto aumenta o consumo de energia dos dispositivos de arrefecimento.

AVISO: Não utilize a porta ou o puxador para mover o produto.

Instalação e montagem do forno encastrado de 60 cm

O local de instalação do produto deve ser definido antes de iniciar a instalação.

O produto não deve ser instalado em locais que estejam sob o efeito de fluxo de ar forte.

Carregue o produto juntamente com, pelo menos, duas pessoas. Não arraste o produto de modo a não causar danos ao piso.

Remova todos os materiais de transporte dentro e fora do produto. Remova todos os materiais e documentos no produto.

Instalação sob a bancada

O compartimento deve coincidir com as dimensões fornecidas na figura 2. Deve ser previsto um espaço na parte traseira do compartimento, como indicado na figura, de modo a se obter a ventilação necessária.

Após a montagem, o espaço entre a parte inferior e superior da bancada está indicado na figura 5 com a letra "A". Destina-se à ventilação e não deve ser tapado.

Instalação num compartimento elevado

O compartimento deve coincidir com as dimensões fornecidas na figura 4. Devem ser previstos os espaços com as dimensões indicadas na figura, na parte traseira do compartimento, nas seções superior e inferior, de modo a se obter a ventilação necessária.

Requisitos da instalação

As dimensões do produto são fornecidas na figura 3.

As superfícies do mobiliário dos materiais de montagem e desmontagem a ser utilizados devem ter uma resistência à temperatura mínima de 100 °C.

O compartimento de montagem deve estar fixado e o seu piso deve ser plano para que o produto não incline.

O piso do compartimento deve ter uma resistência mínima para lidar com uma carga de 60 kg.

Colocação e fixação do forno

Coloque o forno no compartimento com duas ou mais pessoas.

Verifique se a estrutura do forno e a borda frontal do mobiliário correspondem de maneira uniforme.

O cabo de alimentação não deve estar sob o forno, pressionado entre forno e o mobiliário ou dobrado.

Fixe o forno ao mobiliário utilizando os parafusos fornecidos com o produto. Os parafusos devem ser montados como mostrado na figura 5, passando-os através dos plásticos ligados à estrutura do produto. Os parafusos não devem ser demasiadamente apertados. Caso contrário, os soquetes dos parafusos podem estar desgastados.

Verifique se o forno não se move depois da montagem. Se o forno não for montado de acordo com as instruções, existe um risco de inclinação durante o funcionamento.

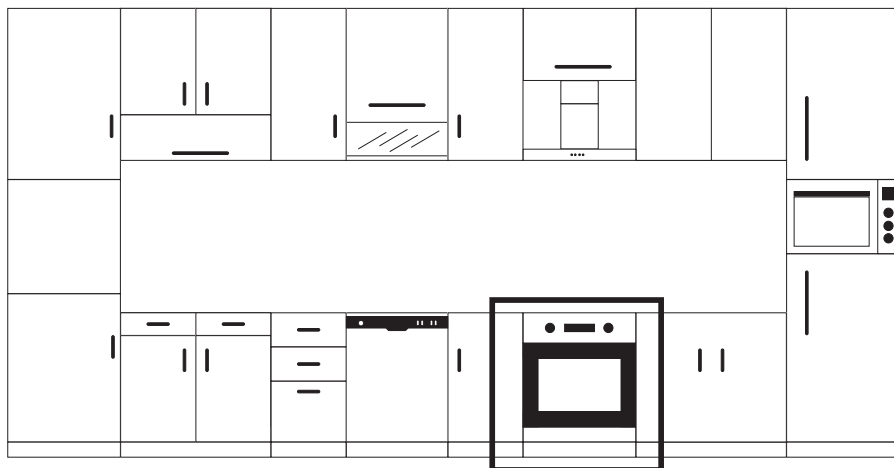
Ligação elétrica

O local de montagem do produto deve ter a instalação elétrica adequada. A tensão de rede deve ser compatível com os valores fornecidos na placa de características do produto.

A ligação do produto deve ser feita em conformidade com os requisitos elétricos locais e nacionais.

Antes de iniciar a montagem, desligue a alimentação elétrica. Não ligue o produto à rede até que a sua montagem esteja concluída.

Montagem



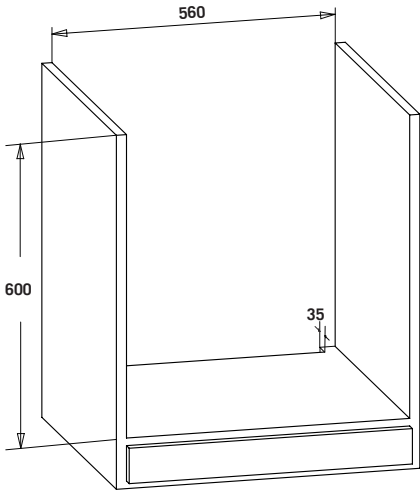


Figura 2

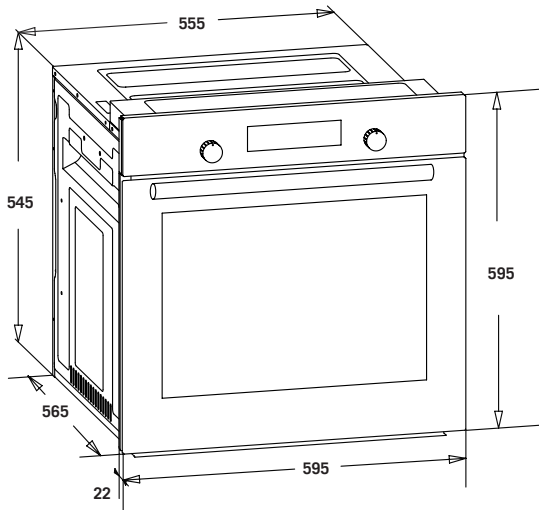
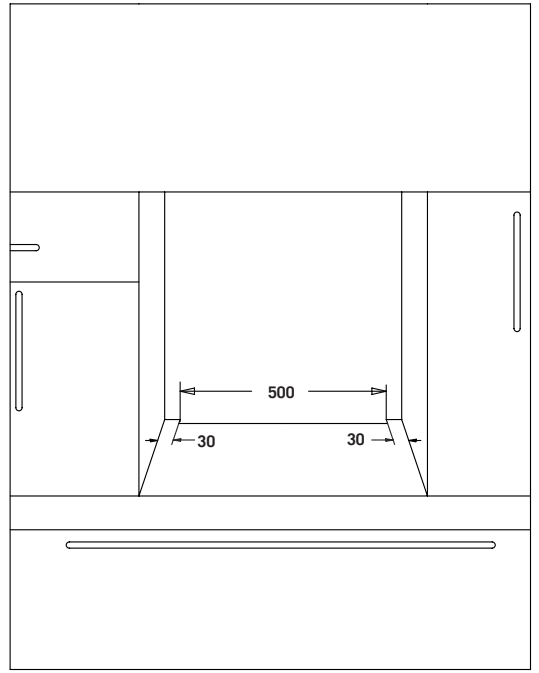


Figura 3

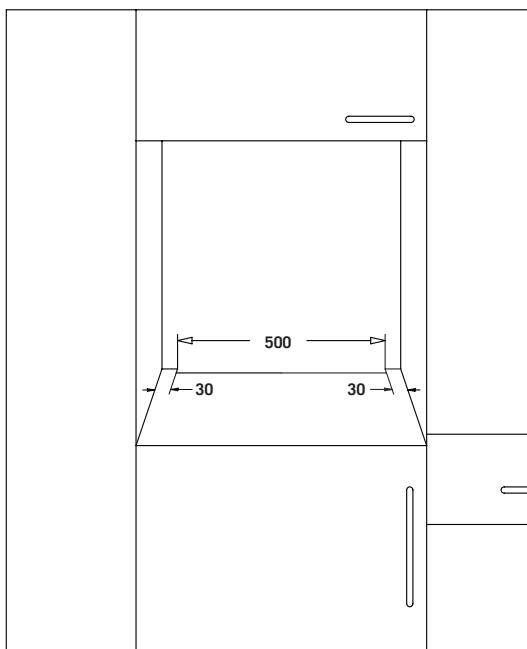
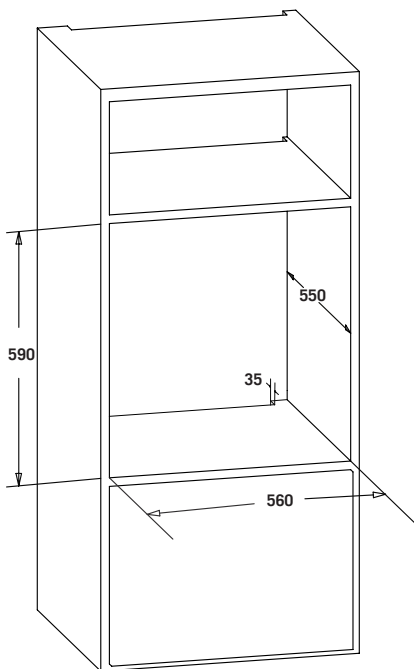
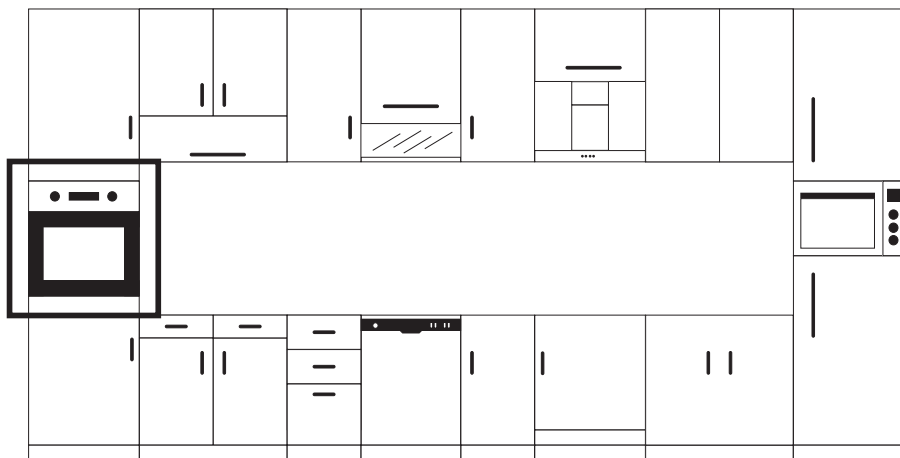


Figura 4

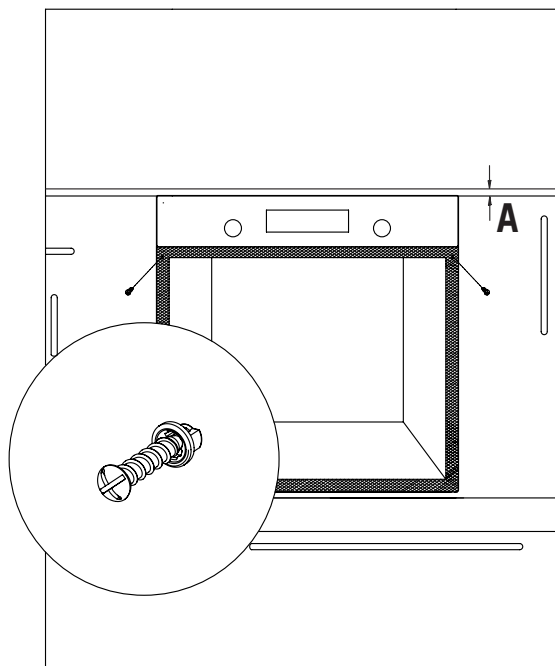


Figura 5

PAINEL DE CONTROLO

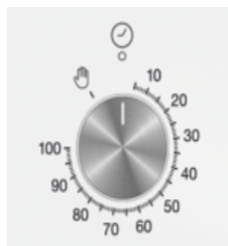


1. Botão de função
2. Temporizador mecânico ou digital
3. Termóstato

ADVERTÊNCIA: O painel de controlo acima é apenas para fins de ilustração. Considerar o painel de controlo no seu dispositivo.



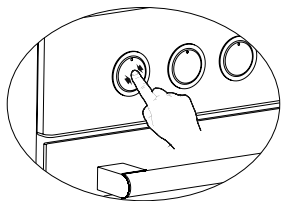
Botão do termóstato: Ajuda a definir a temperatura de cozedura do alimento a ser cozinhado no forno. Pode definir a temperatura pretendida rodando o botão após introduzir o alimento no forno. Verifique a tabela de cozedura para cozinhar alimentos com diferentes temperaturas.



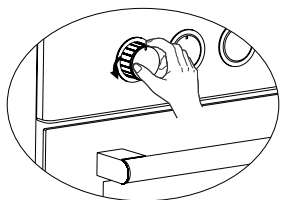
Botão do temporizador mecânico *: Ajuda a definir a temperatura de cozedura do alimento a ser cozinhado no forno. O temporizador corta a energia dos aquecedores quando o tempo definido expira e avisa-lhe com um toque sonoro. Consulte a tabela para os tempos de cozedura.

Utilizar O Botão Pop-Up *

O ajuste só pode ser realizado quando o botão estiver desarmado em modelos com botão pop-up.



Certifique-se que o botão está desarmado pressionando-o como exibido na figura do lado esquerdo.



Pode fazer os ajustes necessários rodando para a direita ou para a esquerda quando o botão estiver suficientemente desarmado.

UTILIZAÇÃO DO FORNO

Utilização inicial do forno

Aqui estão as coisas que deve fazer na primeira utilização do seu forno depois de realizar as necessárias de acordo com as instruções:

1. Remova os rótulos ou acessórios encaixados dentro do forno. Se houver, retire a película de proteção na parte frontal do aparelho.

2. Remova o pó e os resíduos de embalagem limpando o interior do forno com um pano húmido. O interior do forno deve estar vazio. Ligue a ficha do cabo do aparelho à tomada elétrica.

3. Defina o botão do termóstato para a temperatura mais alta (240 °C no máx.) e funcione o forno por 30 minutos com a sua porta fechada. Entretanto, pode aparecer um ligeiro fumo e um odor, mas é uma situação normal.

4. Limpe o interior do forno com um pouco de água morna com detergente depois do mesmo estar arrefecido e seque com um pano limpo. Agora pode utilizar o seu forno.

Utilização normal do forno

1. Ajuste o botão do termóstato e a temperatura na qual pretende cozinhar os alimentos, para iniciar a cozedura.

2. Pode definir o tempo de cozedura para qualquer hora pretendida utilizando o botão presente nos modelos com temporizador mecânico. O temporizador irá cortar a energia dos aquecedores quando esgotar o tempo e emitir um aviso sonoro.

3. O temporizador desliga os aquecedores e emite um aviso sonoro quando o tempo de cozedura esgota, em linha com as informações inseridas nos modelos com temporizador digital.

4. O sistema de arrefecimento do aparelho continuará a funcionar após a cozedura estar concluída. Não corte a alimentação elétrica do aparelho nesta situação, que é necessária para que o aparelho arrefeça. O sistema desligar-se-á após o arrefecimento estar concluído.

Usar O Grelhador

1. Quando colocar a grelha na prateleira superior, os alimentos na grelha não devem tocar na grelha.
2. Pode pré-aquecer durante 5 minutos enquanto grelhar. Se necessário, pode voltar os alimentos ao contrário.
3. Os alimentos devem estar no centro da grelha para fornecerem um fluxo máximo de ar através do forno.

Ligar o grelhador;

1. Colocar o botão de função sobre o símbolo do grelhador.
2. Em seguida, definir a temperatura do grelhador pretendida.

Desligar o grelhador;

Colocar o botão de função na posição desligado.

ADVERTÊNCIA: Manter a porta do forno fechada enquanto estiver a grelhar.

Usar O Assador De Frango *

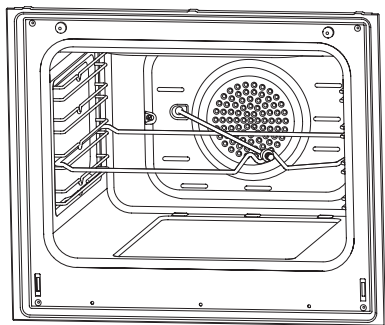


Figura 6















Colocar o espeto no suporte. Deslizar o espeto rotativo no forno no nível pretendido. Localizar uma caçarola no fundo para recolher a gordura. Adicione um pouco de água na caçarola para facilitar a limpeza. Não esquecer de retirar a parte de plástico do espeto. Depois de grelhar, enroscar a pega de plástico no espeto e retirar os alimentos do forno.

TIPOS DE PROGRAMA



Botão de programa: Ajuda a definir com que aquecedores os alimentos introduzidos no forno serão cozinhados. Os tipos de programa dos aquecedores neste botão e as suas funções estão indicados abaixo. Cada modelo pode não ter todos os tipos de aquecedores e conseqüentemente os tipos de programa desses aquecedores.

Os tipos de programa de aquecimento no seu aparelho e importantes explicações sobre os mesmos são fornecidas abaixo para que possa cozinhar diferentes alimentos conforme o seu gosto.

	Elementos de aquecimento inferior e superior		Ventoinha
	Ventoinha e elemento de aquecimento inferior		Ventoinha e aquecedor turbo
	Grelhador e assador de frangos		Ventoinha e elemento de aquecimento superior-inferior
	Ventoinha e elemento de aquecimento superior		Grelhador e ventoinha
	Cozedura multi-funcional (3D)		Grelhador
	Elemento de aquecimento inferior		Elemento de aquecimento superior
	Ventoinha e grelha pequena		Limpeza a vapor

Elemento de aquecimento inferior: Selecione este programa para o tempo de fim da cozedura se a parte inferior do alimento cozinhado tiver que ser assada.

Elemento de aquecimento superior: Utilizado para pós-aquecer ou assar peças muito pequenas de alimentos.

Elementos de aquecimento inferior e superior: Um programa que pode ser utilizado para cozinhar alimentos como bolos, pizza, biscoitos e bolinhos.

Ventoinha e elemento de aquecimento inferior: Utilizado principalmente para cozinhar alimentos como bolos de frutas.

Ventoinha e elemento de aquecimento inferior e superior: O programa adequado para cozinhar alimentos como bolos, bolos secos, lasanha. Adequado também para cozinhar pratos de carne.

Grelhador: O grelhador é utilizado para grelhar tanto carnes como alimentos do tipo bifês, salsichas e peixes. Enquanto está a grelhar, o tabuleiro deve estar posicionado no rack inferior e cheio de água.

Ventoinha e aquecedor turbo: Adequados para assar massas e carnes. Mantenha a definição de calor inferior no programa “Aquecedor inferior e superior”, uma vez que o calor é transmitido imediatamente através do fluxo de ar.

Grelhador e ventilador: Adequado para cozinhar carnes. Não se esqueça de colocar um tabuleiro de cozedura num rack inferior dentro do forno e um pouco de água enquanto estiver a grelhar.

Cozedura multi-funcional (3D): Adequada para assar massas e carnes. Os aquecedores inferior e superior funcionam para a rápida transmissão de calor através do fluxo de ar. Adequado para cozeduras que necessitam de um único tabuleiro e calor intenso.

RECOMENDAÇÕES PARA A COZEDURA

Pode encontrar na tabela a seguir as informações dos tipos de alimentos dos quais testamos e identificamos os seus valores de cozedura em nossos laboratórios. Os tempos de cozedura podem variar de acordo com a tensão da rede, a qualidade do material a ser cozinhado, a quantidade e a temperatura. Os pratos a cozinhar utilizando estes valores podem não estar ao seu gosto. Pode definir vários valores para obter diferentes sabores e resultados consoante as suas preferências, através da realização de testes.

AVISO: O forno deve ser pré-aquecido por 7-10 minutos antes de se introduzir o alimento.

Tabela De Cozedura

SES 6004 / SES 6204 / MES 8007 / MDS 8007:

Alimento	Cozedura função	Temperatura (°C)	Rack de cozedura	Tempo de cozedura (min.)
Bolo	Estática / Estática+ventoinha	170-180	2-3	35-45
Pequenos bolos	Estática / Turbo+ventoinha	170-180	2	25-30
Tartes	Estática / Estático+ventoinha	180-200	2	35-45
Pastelaria	Estática	180-190	2	20-25
Bolachas	Estática	170-180	2	20-25
Tarte de maçã	Estática / Turbo+ventoinha	180-190	1	50-70
Pão de ló	Estática	200/150 *	2	20-25
Pizza	Estática+ventoinha	180-200	3	20-30
Lasanha	Estática	180-200	2-3	25-40
Merengue	Estática	100	2	50
Frango grelhado **	Grelhador+ventoinha	200-220	3	25-35
Peixe grelhado **	Grelhador+ventoinha	200-220	3	25-35
Bife de vitela **	Grelhador+ventoinha	Max	4	15-20
Almôndegas **	Grelhador+ventoinha	Max	4	20-25

* Não pré-aqueça. Recomenda-se que a primeira metade do tempo de cozedura seja realizada a 200 °C, enquanto a outra metade a 150 °C.

** Os alimentos devem ser virados após a metade do tempo de cozedura.

MDS 8008::

Alimento	Cozedura função	Temperatura (°C)	Rack de cozedura	Tempo de cozedura (min.)
Bolo	Estática / Estática+ventoinha	170-180	2-3	30-35
Pequenos bolos	Estática / Turbo+ventoinha	170-180	2-3	25-30
Tartes	Estática / Estática+ventoinha	180-200	2-3	30-35
Pastelaria	Estática	180-190	2	25-30
Bolachas	Estática / Turbo+ventoinha	170-180	2-3	20-30
Tarte de maçã	Estática / Turbo+ventoinha	180-190	2-3	40-50
Pão de ló	Estática / Turbo+ventoinha	200/150*	2-3	25-30
Pizza	Estática / Turbo+inferior	180-200	3	20-30
Lasanha	Estática	180-200	2-3	20-25
Merengue	Estática / Inferior-superior+ventoinha	100	2-3	60-70
Frango grelhado **	Grelhador / Inferior-superior+ventoinha	200-220	2-3	25-30
Peixe grelhado **	Grelhador	190-200-220	3-4	20-25
Bife de vitela **	Grelhador	230	5	25-30
Almôndegas **	Grelhador	230	5	20-35

* Não pré-aqueça. Recomenda-se que a primeira metade do tempo de cozedura seja realizada a 200 °C, enquanto a outra metade a 150 °C.

** Os alimentos devem ser virados após a metade do tempo de cozedura.

Cozer Com Pedra Para Pizza *

Quando cozer com pedra para pizza, colocar a pedra para pizza sobre a grelha e pré-aquecer o forno no modo pizza (turbo+inferior) a 230 °C para 30 minutos. Depois de pré-aquecido, sem remover a pedra de pizza, colocar a pizza sobre a mesma com o revestimento (não colocar pizza congelada) e cozer a 180 °C durante 20-25 minutos. Depois da cozedura estar concluída, remover a pizza cozida do forno usando o revestimento.

ADVERTÊNCIA: Não colocar a pedra para pizza num forno pré-aquecido.

ADVERTÊNCIA: Depois da cozedura estar concluída não remover a pedra para pizza enquanto estiver quente e não colocar a mesma sobre superfícies frias. Caso contrário, a pedra para pizza pode partir-se.

ADVERTÊNCIA: Não expôr a pedra para pizza à humidade.

MANUTENÇÃO E LIMPEZA

1. Retire a ficha de alimentação da tomada.
2. Não limpe as partes internas, painel, tabuleiros e outras partes do produto com ferramentas aguçadas como escovas, esponjas de aço ou facas. Não utilize abrasivos, materiais raspantes ou detergente.
3. Enxágue após limpar as partes no interior do produto com um pano com sabão, depois seque completamente com um pano macio.
4. Limpe as superfícies de vidro com produtos especiais para limpeza de vidros.
5. Não limpe o seu produto com limpadores a vapor.
6. Nunca utilize materiais combustíveis como ácido, diluente ou gás durante a limpeza do seu produto.
7. Não lave qualquer parte do produto na máquina de lavar loiça.
8. Utilize estearato de potássio (sabão suave) para sujidades e nódoas.

Limpeza A Vapor *

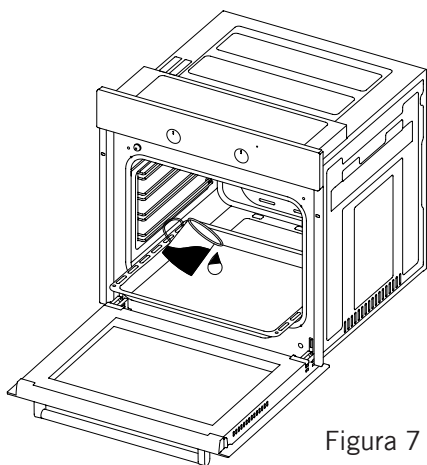


Figura 7

É possível limpar as nódoas amaciadas graças ao vapor que é gerado no forno.

1. Remova todos os acessórios no forno.
2. Deite meio litro de água no tabuleiro e coloque o tabuleiro na parte inferior da caldeira.
3. Defina o interruptor para o modo de limpeza a vapor.
4. Defina o termóstato para 70 °C e funcione o forno por 30 minutos.
5. Após funcionar o forno por 30 minutos, abra a porta do forno e limpe as superfícies internas com um pano húmido.
6. Utilize líquido de lavar loiça, água quente e um pano macio para remover a sujidade entranhada, depois seque a área que acabou de limpar utilizando um pano seco.

Limpeza E A Montagem Da Porta Do Forno

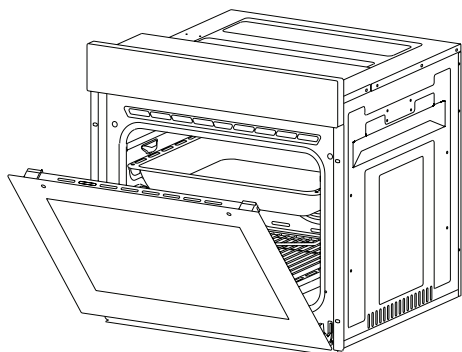


Figura 8

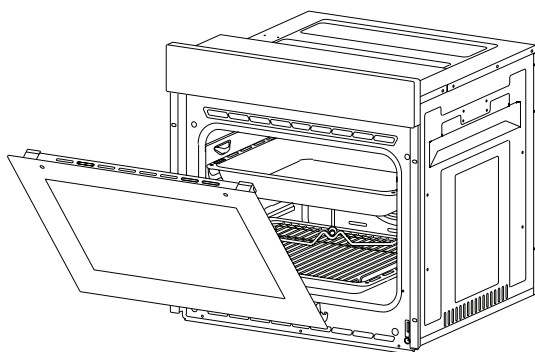


Figura 9

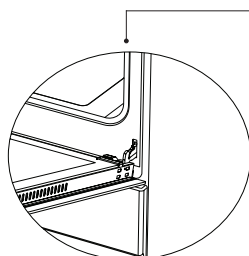


Figura 8.1

Abra totalmente a porta puxando a porta do forno para si. Então realize a operação de desbloqueio puxando a trava da dobradiça para cima com a ajuda de uma chave de fendas, como indicado na **figura 8.1**.

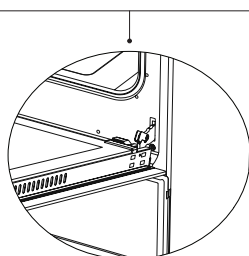


Figura 8.2

Ajuste a trava da dobradiça para o ângulo mais largo, como na **figura 8.2**. Ajuste ambas as dobradiças ligando a porta do forno ao forno para a mesma posição.

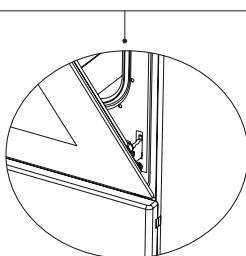


Figura 9.1

Em seguida, feche a porta do forno aberta de modo que possa estar em posição de contacto com a trava da dobradiça, como na **figura 9.1**.

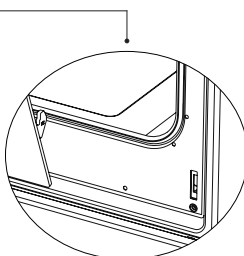


Figura 9.2

Para facilitar a extração da porta do forno, quando ele estiver perto de posição fechada, segure a tampa com as duas mãos, como mostrado na **figura 9.2** e puxe para cima.

Em sentido inverso, execute respetivamente o que fez durante a abertura da porta para reinstalar a porta do forno.

Limpeza Do Vidro Do Forno

Levante pressionando as travas de plástico do lado esquerdo e direito, como exibido na figura 10 e puxando o perfil para si, como na figura 11. O vidro é libertado depois do perfil ser removido, como exibido na figura 12. Extraia o vidro solto puxando cuidadosamente para si. O vidro exterior está fixado ao perfil da porta do forno. Pode executar a limpeza do vidro facilmente depois dos vidros serem liberados. Pode montar novamente os vidros realizando operações inversas, após a limpeza e a manutenção estarem concluídas. Certifique-se que o perfil está assentado corretamente no sítio.

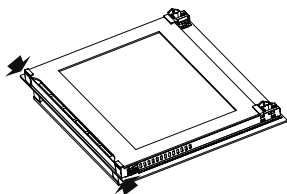


Figura 10

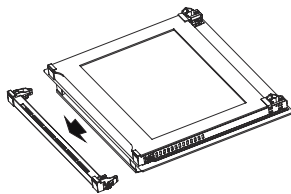


Figura 11

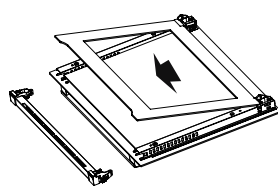


Figura 12

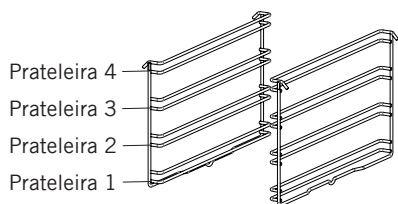
Paredes Catalíticas *

As paredes catalíticas estão localizadas à esquerda e à direita da cavidade sob a guias. As paredes catalíticas erradicam o mau cheiro e obtêm o melhor desempenho do fogão. As paredes catalíticas também absorvem os resíduos de óleo e limpam o seu fogão enquanto ele está a funcionar.

Remover as paredes catalíticas

Para remover as paredes catalíticas, as guias têm de ser puxadas para fora. Assim que as guias são puxadas para fora, as paredes catalíticas são soltas automaticamente. As paredes catalíticas têm de ser mudadas ao fim de 2-3 anos.

Posições Da Grelha



É importante colocar corretamente a grelha de arame no forno. Não permitir que a grelha entre em contacto com a parede traseira do forno. As posições da grelha são mostradas na figura seguinte. Pode colocar um tabuleiro fundo ou um tabuleiro normal nas grelhas de arame inferior e superior.

Instalar e retirar as grelhas de arame

Para retirar as grelhas de arame, premir os cliques mostrados com setas na figura, retirar primeiro o lado inferior e depois o superior do local de instalação. Para instalar grelhas de arame; inverter o procedimento para a remoção das grelhas de arame.

Substituição Da Lâmpada Do Forno

AVISO: Para evitar choques eléctricos, certifique-se que o circuito do aparelho está aberto antes de trocar a lâmpada. (o circuito aberto significa que a energia está desligada)

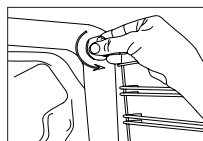
Primeiro, desligue a alimentação do aparelho e certifique-se que o mesmo está arrefecido.

Remova o vidro de proteção rodando conforme indicado na figura do lado esquerdo. Se tiver dificuldades para o rodar, utilize luvas de plástico para a ajudar na tarefa.

Em seguida, remova a lâmpada rodando, instale a lâmpada nova com as mesmas especificações. As especificações da lâmpada devem ser como o seguinte;

Reinstale a proteção do vidro, ligue o cabo de alimentação do aparelho à tomada elétrica e conclua a substituição. Agora pode utilizar o seu forno.

Lâmpada Tipo G9



220-240 V, AC
15-25 W

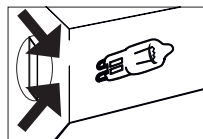


Figura 13

Lâmpada Tipo E14



220-240 V, AC
15 W



Figura 14

RESOLUÇÃO DE PROBLEMAS

Pode resolver os problemas que pode encontrar no seu produto verificando os seguintes pontos antes de chamar a assistência técnica.

Pontos de verificação

Caso tenha algum problema com o forno, verificar primeiro a tabela abaixo e experimentar as sugestões.

Problema	Causa possível	O que fazer
O forno não funciona.	Fonte de alimentação não disponível.	Verificar a fonte de alimentação.
O forno para durante a cozedura.	A ficha sai da tomada da parede.	Voltar a instalar a ficha na tomada de parede.
Desliga-se durante a cozedura.	Funcionamento contínuo durante muito tempo.	Deixar o forno arrefecer após longos ciclos de cozedura.
	O ventilador de refrigeração não está a funcionar.	Ouvir o som do ventilador de refrigeração.
	Forno não instalado em local com boa ventilação.	Assegurar que as folgas especificadas nas instruções de funcionamento são mantidas.
	Mais do que uma ficha numa tomada de parede.	Usar apenas uma ficha para cada tomada de parede.
A superfície exterior do forno fica muito quente durante o funcionamento.	Forno não instalado em local com boa ventilação.	Assegurar que as folgas especificadas nas instruções de funcionamento são mantidas.
A porta do forno não está a abrir adequadamente.	Resíduos alimentares presos entre a porta e a cavidade interior.	Limpar bem o forno e tentar voltar a abrir a porta.
A luz interior está fraca ou não funciona.	Objeto estranho que cobre a lâmpada durante a cozedura.	Limpar a superfície interior do forno e verificar novamente.
	A lâmpada pode estar fundida.	Substituir por uma lâmpada com as mesmas especificações.
Choque elétrico quando tocar no forno.	Ligação à terra não adequada.	Assegurar que a alimentação está ligada à terra adequadamente.
	Está a ser usada tomada de parede sem ligação à terra.	

Problema	Causa possível	O que fazer
Está a pingar água.	Sob certas condições, pode ser gerada água ou vapor, dependendo do alimento a ser cozinhado. Isto não é uma avaria do aparelho.	Deixar o forno arrefecer e, em seguida, secar com um pano.
Vapor a sair de uma fissura na porta do forno.		
Água existente no interior do forno.		
O ventilador de refrigeração continua a operar depois da cozedura ter terminado.	O ventilador opera durante um determinado período para ventilação da cavidade interna do forno.	Isto não é uma avaria do aparelho, portanto não tem que se preocupar.
Forno não aquece.	Porta do forno está aberta.	Fechar a porta e reiniciar.
	Controlos do forno não estão ajustados corretamente.	Ler a secção referente ao funcionamento do forno e reiniciar o forno.
	Fusível desarmado ou disjuntor desligado.	Substituir o fusível ou reiniciar o disjuntor. Se isto se repetir frequentemente, ligar a um electricista.
Fumo a sair durante o funcionamento.	Quando o forno funcionar pela primeira vez.	Fumo sai dos aquecedores. Isto não é uma avaria. Após 2-3 ciclos já não haverá fumo.
	Alimento no aquecedor.	Deixar o forno arrefecer e limpar resíduos de alimentos da superfície do forno e a superfície do aquecedor superior.
Quando o forno está em funcionamento sai cheiro a queimado ou a plástico	Estão a ser usados dentro do forno acessórios de plástico ou outros não resistentes ao calor.	Com temperaturas elevadas, utilizar os acessórios em vidro adequados
O forno não cozinha bem.	A porta do forno é aberta frequentemente durante a cozedura.	Não abrir frequentemente a porta do forno se o alimento que estiver a cozinhar não precisar de ser rodado. Se abrir a porta frequentemente a temperatura interior cai e consequentemente o resultado da cozedura será influenciado.

REGRAS DE MANUSEAMENTO

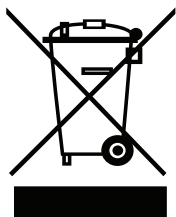
1. Não usar a porta e/ou a pega para transportar ou mover o aparelho.
2. Realizar a movimentação e transporte na embalagem original.
3. Prestar muita atenção ao aparelho durante o carregamento/descarregamento e manuseio.
4. Assegurar que a embalagem está firmemente fechada durante o manuseio e transporte.
5. Proteger de fatores externos (tais como humidade, água, etc.) que possam danificar a embalagem.
6. Ter cuidado para não danificar o aparelho devido a colisões, choques, quedas, etc. durante o manuseio e transporte e para não o partir ou deformar durante a operação.

RECOMENDAÇÕES DE EFICIÊNCIA ENERGÉTICA

Os seguintes detalhes irão ajudar a utilizar o produto ecológica e economicamente.

1. Usar recipientes de cor escura e esmalte que conduzam melhor o calor no forno.
2. Ao cozinhar os seus alimentos, se a receita ou o manual do utilizador indicar que o pré-aquecimento é necessário, pré-aqueça o forno.
3. Não abrir frequentemente a porta do forno enquanto cozinhar.
4. Tentar não cozinhar simultaneamente vários pratos no forno. Pode cozinhar ao mesmo tempo colocando dois tabuleiros na grelha de arame.
5. Cozinhar vários pratos sucessivamente. O forno não perderá calor.
6. Desligar o forno alguns minutos antes de terminar o tempo de cozedura. Neste caso, não abrir a porta do forno.
7. Descongelar os alimentos congelados antes de cozinhar.

ELIMINAÇÃO AMIGA DO AMBIENTE



Elimine a embalagem em condições amigas do ambiente. Este aparelho está etiquetado de acordo com a Diretiva Europeia 2012/19/UE relativa a aparelhos elétricos e eletrónicos usados (Resíduos de Equipamentos Elétricos e eletrónicos REEE). As orientações determinam o enquadramento para a devolução e reciclagem de aparelhos elétricos aplicável em toda a UE.

INFORMAÇÃO SOBRE A EMBALAGEM

Os materiais de embalagem do produto são fabricados a partir de materiais recicláveis, de acordo com as nossas Normas Ambientais Nacionais. Não elimine os materiais de embalagem junto com o lixo doméstico ou outros. Leve-os aos pontos de recolha de material de embalagem indicados pelas autoridades locais.

Cher client,

Nous vous remercions de la confiance que vous nous avez témoigné en achetant ce produit.

Notre objectif est de vous permettre d'utiliser de façon optimale et efficace ce produit respectueux de l'environnement produit dans nos installations modernes et soumis à des conditions précises de qualité.

Nous vous conseillons de lire attentivement ce manuel d'utilisation avant d'utiliser le four et de le conserver pour pouvoir bénéficier des fonctions du four encastré pendant une longue période comme au premier jour.

REMARQUE: Ce manuel d'utilisation a été préparé pour plusieurs modèles. Il se peut que votre appareil ne présente pas certaines fonctions mentionnées dans le présent manuel.

Les images du produit sont schématiques.

Ce produit a été fabriqué dans des installations modernes respectueuses de l'environnement et ne sont pas nuisibles pour la nature.

Les produits marqués d'un astérisque (*) sont optionnels.

« Conforme à la directive DEEE concernant les équipements électriques et électroniques usagés. »

Contenu

Avertissements importants.....	111
Raccordement électrique.....	120
Présentation de l'appareil.....	121
Accessoires.....	122
Spécifications techniques.....	123
Installation de l'appareil.....	123
Panneau de commande.....	130
Utilisation du four.....	131
Utilisation du grill.....	132
Utilisation de la rôtissoire pour poulet.....	133
Types de programmes.....	133
Recommandations relatives à la cuisson.....	134
Table de cuisson.....	135
Cuisson avec pierre à pizza.....	136
Maintenance et nettoyage.....	137
Nettoyage à la vapeur.....	137
Nettoyage et installation de la porte du four.....	138
Nettoyage de la vitre du four.....	139
Parois catalytiques.....	139
Positions de la grille.....	139
Remplacement de l'ampoule du four.....	140
Dépannage.....	141
Règles de manutention.....	143
Recommandations pour économiser l'énergie.....	143
Mise au rebut respectueuse de l'environnement.....	144
Informations relatives à l'emballage.....	144

AVERTISSEMENTS IMPORTANTS

1. L'installation et la réparation doivent toujours être effectuées par un « **SERVICE AUTORISÉ** ». Le fabricant ne peut être tenu responsable des opérations effectuées par des personnes non autorisées.

2. Veuillez lire attentivement ce mode d'emploi. Ainsi, seulement de cette manière vous pouvez utiliser l'appareil en toute sécurité et de façon correcte.

3. Le four doit être utilisé conformément aux instructions d'utilisation.

4. Veuillez vous assurer que les enfants de moins de 8 ans et les animaux domestiques soient à l'écart lors de l'utilisation.

5. **Les pièces accessible peut devenir chaude pendant l'utilisation. Les jeunes enfants doivent être tenus à l'écart.**

6. **AVERTISSEMENT : Danger d'incendie: Ne conservez rien sur les surfaces de cuisson.**

7. **AVERTISSEMENT : L'appareil chauffe pendant son utilisation. Évitez de toucher les éléments chauffants qui se trouvent à l'intérieur du four.**

8. Les conditions de réglage de cet appareil sont spécifiées sur l'étiquette. (ou sur la plaque signalétique)

9. Les pièces accessibles peuvent être chaudes lorsque le grill est en cours d'utilisation. Les enfants doivent être tenus à l'écart.

10. AVERTISSEMENT: Cet appareil est destiné à la cuisson. Il ne devrait pas être utilisé à d'autres fins comme le chauffage d'une pièce.

11. Pour nettoyer l'appareil, n'utilisez pas de nettoyeurs à vapeur.

12. Veuillez vous assurer que la porte du four soit complètement fermée après avoir mis de la nourriture dans le four.

13. N'essayez JAMAIS d'éteindre le feu avec de l'eau. Arrêtez le circuit de l'appareil et couvrez la flamme avec un couvercle ou une couverture anti-feu.

14. AVERTISSEMENT : Tenez les enfants âgés de moins de 8 ans éloignés du four. Ils peuvent s'y approcher uniquement lorsqu'ils sont surveillés.

15. Il faut éviter de toucher les éléments chauffants.

16. ATTENTION ! Le processus de cuisson doit être supervisé. Le processus de cuisson doit toujours être supervisé.

17. Cet appareil peut être utilisé par des enfants âgés d'au minimum 8 ans, ainsi que par des personnes avec des capacités physiques, sensorielles ou mentales réduites ou sans expérience et connaissances, si elles sont supervisées ou ont été formées à l'utilisation sécurisée de l'appareil et comprennent les risques y relatifs. Les enfants ne doivent pas jouer avec l'appareil. Le nettoyage et l'entretien par l'utilisateur ne doivent pas être effectués par les enfants sans surveillance.

18. Cet appareil a été conçu pour un usage domestique uniquement.

19. Ne laissez pas les enfants jouer avec l'appareil. Le nettoyage ou l'entretien de l'appareil ne doit pas être effectué par des enfants à moins qu'ils aient plus de 8 ans et qu'ils soient supervisés par des adultes.

20. Maintenez l'appareil et son cordon d'alimentation à l'écart des enfants de moins de 8 ans.

21. Veuillez vous assurer que les rideaux, les tulles, le papier ou tout autre matériau inflammable soient tenus à l'écart de l'appareil avant de commencer à utiliser l'appareil. Ne mettez pas de matériaux inflammables sur ou dans l'appareil.

22. Gardez les canaux de ventilation ouverts.

23. L'appareil n'est pas conçu pour être utilisé au moyen d'une minuterie externe ou d'une télécommande séparée.

24. Ne chauffez pas les boîtes fermées et les bocaux en verre. La pression peut faire exploser les bocaux.

25. La poignée du four n'est pas un sèche-serviettes. Veuillez ne pas accrocher les serviettes, etc. sur la poignée du four.

26. Veuillez ne placez pas les plateaux du four, les assiettes ou les feuilles d'aluminium directement sur la base du four. La chaleur accumulée peut endommager la base du four.

27. Lorsque vous placez des aliments ou enlevez des aliments du four, etc., veuillez toujours utiliser des gants de cuisine résistants à la chaleur.

28. N'utilisez pas le produit dans des états tels que médicamenteux et / ou sous influence d'alcool qui peuvent affecter votre capacité de jugement.

29. Soyez prudent lorsque vous utilisez de l'alcool dans vos aliments. L'alcool s'évapore à haute température et peut prendre feu pour provoquer un incendie s'il entre en contact avec des surfaces chaudes.

30. Après chaque utilisation, vérifiez si l'appareil est hors tension.

31. Si l'appareil est défectueux ou a un dommage visible, ne faites pas fonctionner l'appareil.

32. Évitez de toucher le cordon d'alimentation avec des mains humides ! Ne le débranchez jamais en tirant le câble, mais plutôt en tenant la prise.

33. N'utilisez pas l'appareil lorsque la vitre de la porte avant est retirée ou brisée.

34. Placez le papier sulfurisé avec les aliments dans un four préchauffé en les plaçant dans une cuisinière ou sur un accessoire du four (plateau, gril, etc.).

35. Ne placez pas d'objets que les enfants peuvent atteindre sur l'appareil.

36. Il est important de placer correctement le grillage et le plateau sur les grilles et / ou de placer correctement le plateau sur le rail. Placez le gril ou le plateau entre deux rails et assurez-vous qu'il est équilibré avant de mettre de la nourriture dessus.

37. Au risque que ceux-ci entrent en contact avec les éléments chauffants du four, enlevez les parties excédentaires du papier sulfurisé qui sont suspendues à l'accessoire ou au contenant.

38. Ne l'utilisez jamais à des températures de four supérieures à la température d'utilisation maximale indiquée sur votre papier sulfurisé. Ne placez pas le papier sulfurisé sur la base du four. Au risque que ceux-ci entrent en contact avec les éléments chauffants du four, enlevez les parties excédentaires du papier sulfurisé qui sont suspendues à l'accessoire ou au contenant.

39. Lorsque la porte est ouverte, ne placez aucun objet lourd sur la porte et ne laissez pas les enfants s'y asseoir. Cela peut provoquer le renversement du four ou endommager les charnières de la porte.

40. Les matériaux d'emballage sont dangereux pour les enfants. Gardez les matériaux d'emballage hors de la portée des enfants.

41. N'utilisez pas de nettoyeurs abrasifs ou de grattoirs en métal tranchants pour nettoyer la vitre, car les égratignures qui pourraient se produire sur la surface de la vitre de la porte peuvent la casser.

- 42.** L'utilisateur ne doit pas manipuler le four seul.
- 43.** Lors de l'utilisation, les surfaces internes et externes du four deviennent chaudes. Lorsque vous ouvrez la porte du four, reculez pour éviter la vapeur chaude qui s'échappe de l'intérieur. Il y a un risque de brûlure.
- 44.** Ne placez pas d'objets lourds lorsque la porte du four est ouverte, car il y a une risque de basculement.
- 45.** L'utilisateur ne doit pas disloquer la résistance lors du nettoyage. Cela pourrait causer une électrocution.
- 46.** L'alimentation du four peut être déconnectée lors de travaux de construction à la maison. Lorsque les travaux sont terminés, la re-connexion du four doit être effectuée par un technicien agréé.
- 47.** Pour éviter toute surchauffe, l'appareil ne doit pas être installé derrière un couvercle décoratif.
- 48.** Éteignez l'appareil avant de retirer les protections. Après le nettoyage, installez les protections conformément aux instructions.
- 49.** Le point de fixation du câble doit être protégé.
- 50.** Veuillez ne pas faire cuire les aliments directement sur le plateau/la grille. Veuillez mettre la nourriture dans ou sur les plats appropriés avant de les mettre dans le four.

Sécurité électrique

1. Branchez l'appareil dans une prise de terre protégée par un fusible conforme aux valeurs spécifiées dans le tableau des caractéristiques techniques.

2. Demandez à un électricien agréé de régler l'équipement de mise à la terre. Notre société ne sera pas responsable des dommages qui seraient encourus en raison de l'utilisation du produit sans mise à la terre conformément à la réglementation locale.

3. Les interrupteurs du disjoncteur du four doivent être placés de telle sorte que l'utilisateur final puisse les atteindre lorsque le four est installé.

4. Le cordon d'alimentation (cordon avec fiche) ne doit pas entrer en contact avec les parties chaudes de l'appareil.

5. Si le cordon d'alimentation est endommagé (le cordon avec une prise), faites-le remplacer par le fabricant, son agent de service ou par un personnel à compétence égale, afin d'éviter toute situation dangereuse.

6. Ne lavez jamais le produit en le pulvérisant ou en versant de l'eau dessus ! Il y a un risque d'électrocution.

7. AVERTISSEMENT: Pour éviter les chocs électriques, assurez-vous que le circuit de l'appareil soit ouvert avant de changer la lampe.

8. AVERTISSEMENT: Coupez toutes les connexions du circuit d'alimentation avant d'accéder aux bornes.

9. N'utilisez pas de cordons coupés ou endommagés ou de rallonges autres que le cordon d'origine.

10. Assurez-vous qu'il n'y ait pas de liquide ou d'humidité dans la prise où la fiche de l'appareil est installée.

11. La surface arrière du four chauffe également lorsque le four est utilisé. Les connexions électriques ne doivent pas toucher la surface arrière, sinon les connexions pourraient être endommagées.

12. Ne serrez pas les câbles de raccordement à la porte du four et ne les passez pas sur des surfaces chaudes. Si le cordon frotte, cela pourrait provoquer un court-circuit et même un incendie.

13. Débranchez l'appareil pendant l'installation, l'entretien, le nettoyage et la réparation.

14. Si le câble d'alimentation est endommagé, faites-le remplacer par son fabricant, par un service technique agréé ou par un personnel qualifié de même niveau afin d'éviter toute situation dangereuse.

15. Assurez-vous que la fiche est bien insérée dans la prise murale pour éviter les étincelles.

16. N'utilisez pas de nettoyeur à vapeur pour nettoyer l'appareil, sinon un choc électrique pourrait se produire.

17. Un interrupteur omnipolaire capable de déconnecter l'alimentation est nécessaire pour l'installation. Le débranchement de l'alimentation doit être fourni avec un interrupteur ou un fusible intégré installé sur une source d'alimentation fixe conformément au code du bâtiment.

18. L'appareil est équipé d'un câble de **type «Y»**.

19. Les connexions fixes doivent être connectées à une alimentation permettant une déconnexion omnipolaire. Pour les appareils avec une catégorie de surtension inférieure à III, le dispositif de déconnexion doit être raccordé à une alimentation fixe conformément au code de câblage.

Utilisation prévue

1. Ce produit est conçu pour un usage domestique. L'utilisation commerciale de l'appareil n'est pas autorisée.

2. Cet appareil doit être utilisé uniquement pour la cuisine. Il ne devrait pas être utilisé à d'autres fins tel que le chauffage d'une pièce.

3. Cet appareil ne doit pas être utilisé pour chauffer des assiettes sous le gril, ou pour sécher des vêtements ou des serviettes en les accrochant sur la poignée ou à des fins de chauffage.

4. Le fabricant ne sera pas tenu responsable de tout dommage résultant d'une mauvaise utilisation ou manipulation.

5. La partie du four de l'appareil peut être utilisée pour décongeler, rôtir, frire et griller les aliments.

6. La durée de vie opérationnelle de l'appareil que vous avez acheté est de 10 ans. Il s'agit de la période pendant laquelle les pièces détachées nécessaires au fonctionnement de cet appareil tel que défini sont fournies par le fabricant.

Raccordement Électrique

Ce four doit être correctement installé et branché selon les instructions du fabricant et par un service autorisé.

L'appareil doit être installé dans une enceinte de four qui permette une ventilation élevée.

Les raccordements électriques doivent être effectués uniquement avec des prises pouvant être mises à la terre et conformément aux réglementations. Contactez un électricien agréé s'il n'y a pas de prise conforme au système de mise à la terre à l'endroit où l'appareil sera placé. Le fabricant ne peut en aucun cas être tenu responsable des dommages résultant du branchement de prises non mises à la terre à l'appareil.

La prise de votre four doit être mise à la terre ; veillez à ce que la prise soit mise à la terre. La prise doit être située dans un endroit qui puisse être accessible après l'installation.

Votre four a été fabriqué conforma à une alimentation électrique de 220-240 V 50/60 Hz. ACetnécessite un fusible de 16 A. Si votre alimentation électrique est différente des valeurs indiquées, contactez un électricien ou votre service agréé.

Lorsque vous avez besoin de remplacer le fusible électrique, veuillez vous assurer que la raccordement électrique soit constitué comme suit:

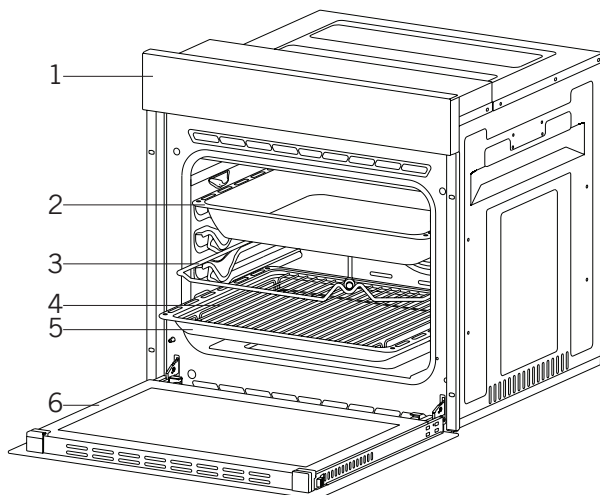
- Câble de phase marron (relié à la borne)
- Câble bleu relié à la borne neutre
- Câble jaune-vert relié à la borne de terre

Les commutateurs de déconnexion de four doivent être placés dans un endroit accessible à l'utilisateur final lorsque le four est dans son emplacement.

Le câble d'alimentation (câble enfichable) ne doit pas toucher les parties chaudes de l'appareil.

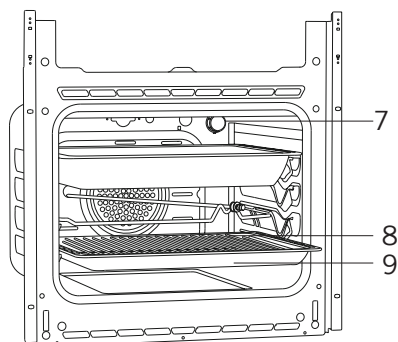
Si le cordon d'alimentation (câble enfichable) est endommagé, il doit être remplacé par l'importateur ou son agent de service ou un personnel tout aussi compétent pour prévenir une situation dangereuse.

PRÉSENTATION DE L'APPAREIL



- 1. Panneau de commande
- 2. Plateau profond *
- 3. Brochette pour poulet rôti *

- 4. Plateau grill
- 5. Plateau standard
- 6. Porte du four



- 7. Lampe
- 8. Plateau grill
- 9. Plateau standard

Accessoires (optionnel)



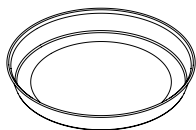
Bac de déversement *

Utilisé pour les pâtisseries, les aliments frits et les recettes de ragoût. En cas de friture directe sur le grill pour les gâteaux, les aliments congelés et les plats de viande, le plateau de récupération d'huile peut être utilisé.



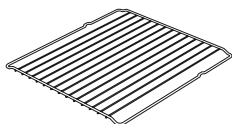
Plateau / Plateau verre *

Utilisé pour les pâtisseries (cookies, biscuits, etc.) et les aliments congelés.



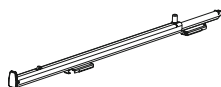
Plateau round *

Utilisée pour les farinages et produits congelés.



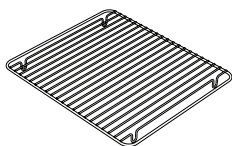
Grille métallique

Utilisée pour frire et/ou placer les aliments à cuire, frits et congelés sur la grille désirée.



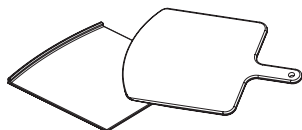
Rail télescopique *

A l'aide de rails télescopiques, les plateaux et/ou les grilles métalliques peuvent être facilement montés et démontés.



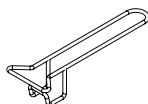
Dans le grillage *

Les aliments qui peuvent attacher lors de la cuisson, tels que les steaks, sont placés sur la grille du plateau. Ainsi, le contact et le collage de la nourriture sont évités.



Pierre à pizza et pelle à pain *

Ils sont utilisés pour la cuisson de pâtisseries telles que la pizza, le pain, les crêpes et l'élimination des aliments cuits au four.



Poignée du plateau *

Il est utilisé pour tenir des plateaux chauds.

Spécifications Techniques

Spécifications	SES 6004 / SES 6204 / MES 8007 / MDS 8007			
Puissance de la lampe 15-25 W				
Thermostat	40-240 / Max °C			
Élément chauffant inférieur	1200 W			
Élément chauffant supérieur	1000 W			
Élément chauffant turbo	1800 W			
Élément chauffant pour grillade	Petit grill	1000 W	Grand grill	2000 W
Tension d'alimentation	220V-240 V 50/60 Hz.			

Spécifications	MDS 8008			
Puissance de la lampe	15-25 W			
Thermostat	40-240 / Max °C			
Élément chauffant inférieur	1200 W			
Élément chauffant supérieur	1200 W			
Élément chauffant turbo	1800W			
Élément chauffant pour grillade	Petit grill	1200 W	Grand grill	2400 W
Tension d'alimentation	220V-240 V 50/60 Hz.			

Les spécifications techniques peuvent être changées sans préavis en vue d'améliorer la qualité du produit.

Les valeurs fournies avec l'appareil ou sur les documents qui l'accompagnent sont des résultats de laboratoire, conformément aux normes respectives. Ces valeurs peuvent varier en fonction de l'utilisation et des conditions ambiantes.

Les figures dans le présent guide sont schématiques et peuvent ne pas correspondre exactement à votre produit.

INSTALLATION DE L'APPAREIL

Assurez-vous que l'installation électrique soit adaptée pour que l'appareil puisse être opérationnel. Sinon, appelez un électricien et un plombier pour procéder aux arrangements nécessaires. Le fabricant ne peut être tenue responsable de dommages résultant d'opérations réalisées par des personnes non autorisées et la garantie du produit devient nulle le cas échéant.

AVERTISSEMENT: Préparer l'emplacement du produit et l'approvisionnement en électricité relève de la responsabilité du client.

AVERTISSEMENT: La réglementation concernant les normes électriques locales doit être respectée lors de l'installation du produit.

AVERTISSEMENT: Vérifiez que le produit ne soit pas endommagé avant de l'installer. N'installez pas le produit s'il est endommagé. Les produits endommagés peuvent présenter un danger pour votre sécurité.

Avertissements importants concernant l'installation :

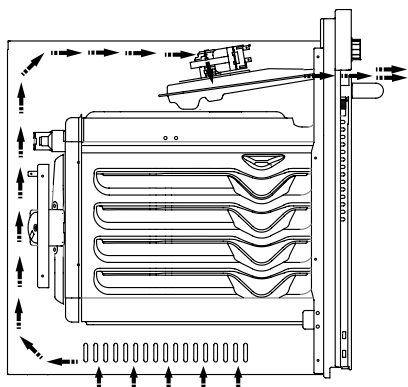


Figure 1

Le ventilateur de refroidissement doit extraire la vapeur supplémentaire et protéger les surfaces extérieures de l'appareil de la surchauffe pendant le fonctionnement du four. Il s'agit d'une condition nécessaire pour un meilleur fonctionnement de l'appareil et une meilleure cuisson.

Le ventilateur de refroidissement doit continuer à fonctionner une fois que la cuisson est terminée. Le ventilateur doit s'arrêter de fonctionner automatiquement une fois que le refroidissement est terminé.

L'arrière de l'enceinte où l'appareil sera placé doit être dégagé afin d'assurer un bon fonctionnement. Cet espacement ne doit pas être ignoré étant donné qu'il s'agit d'une condition requise pour que le système de ventilation de l'appareil fonctionne.

Lieu approprié pour l'installation

Le produit a été conçu pour être monté sur des plans de travail disponibles sur le marché. Une distance de sécurité doit être laissée entre le produit et les murs de la cuisine ou les meubles. Consultez l'illustration qui figure sur la page suivante afin d'obtenir les distances de sécurité requises. (valeurs en mm)

- Les surfaces usées, adhésifs et feuilles synthétiques doivent être résistants à la chaleur. (minimum 100 °C)
- Les placards de cuisine doivent être à niveau avec le produit et sécurisés.
- En cas de présence d'un tiroir en dessous du four, une étagère doit être placée entre le four et le tiroir.

AVERTISSEMENT: Ne placez pas le produit à proximité d'appareils de réfrigérations. La chaleur émise par le produit augmentent la consommation en énergie des appareils de réfrigération.

AVERTISSEMENT: N'utilisez pas la porte et/ou la poignée pour porter ou déplacer le produit.

Montage et fixation four encastré 60 cm

Le lieu d'utilisation du produit doit être défini avant de commencer l'installation.

Le produit ne doit pas être installé dans des endroits soumis à de forts courants d'air.

Il faut au moins deux personnes pour porter le produit. Ne traînez pas le produit pour éviter d'endommager le plancher.

Retirez tous les matériaux de transport qui se trouvent à l'intérieur et à l'extérieur du produit. Retirez tous les matériaux et documents du produit.

Installation sous un comptoir

Les dimensions de l'habitacle doivent correspondre aux dimensions fournies dans la figure 2.

Un espacement doit être prévu à l'arrière de l'habitacle tel qu'indiqué sur la figure afin d'assurer la ventilation nécessaire au bon fonctionnement du produit.

À la fin de l'installation, un espacement doit être laissé au niveau de la partie inférieure et supérieure du comptoir tel qu'indiqué sur la figure 5 avec le point « A ». Cet espace est destiné à la ventilation et ne doit être recouvert.

Installation dans un habitacle élevé

Les dimensions de l'habitacle doivent correspondre à celles énoncées dans la figure 4.

Les espacements correspondant aux dimensions définies dans le schéma doivent être prévus à l'arrière de l'habitacle, au dessus et au dessous de celui-ci afin de permettre la ventilation nécessaire au bon fonctionnement de l'appareil.

Conditions d'installation

Les dimensions du produit sont fournies dans la figure 3.

Les surfaces des meubles sur lesquels l'appareil sera monté et le matériel de montage à utiliser doivent avoir une résistance thermique d'au moins 100 °C.

L'habitacle de montage doit être fixé et son plancher doit être plat pour éviter que le produit ne bascule.

Le plancher de l'habitacle doit avoir une résistance minimale qui puisse supporter une charge de 60 kg.

Mise en place et sécurisation du four

Placez le four dans l'habitacle avec deux personnes ou plus.

Assurez-vous que le cadre du four et la partie avant du meuble soient compatibles.

Le cordon d'alimentation ne doit pas être placé en dessous du four, comprimé entre le four et les meubles ou plié.

Fixer le four au meuble à l'aide des vis fournies avec le produit. Les vis doivent être montés tel que représenté sur la figure 5 en les faisant passer à travers les plastiques fixés sur le châssis du produit. Les vis de doivent pas être trop serrés. Cela risquerait d'endommager la douille à vis.

Vérifier que le four n'ait pas été déplacé après le montage. Si le four est pas monté conformément aux instructions , il risque de basculer en cours d'utilisation.

Raccordement électrique

L'emplacement de montage du produit doit disposer d'une installation électrique appropriée.

La tension du réseau doit être compatible avec les valeurs fournies sur la plaque signalétique du produit.

Le raccordement du produit doit être réalisé conformément aux exigences électriques locales et nationales.

Débranchez l'alimentation électrique avant de commencer l'installation. Ne branchez pas le produit au réseau jusqu'à ce que son montage soit terminé.

Montage

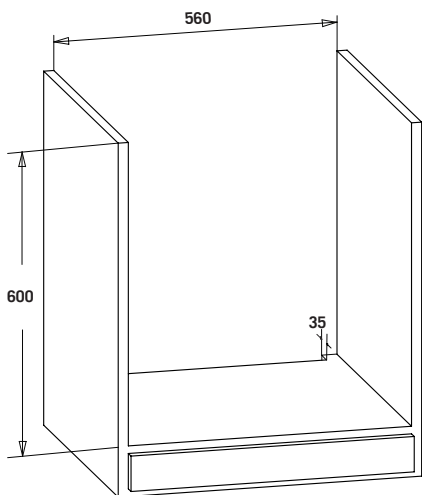
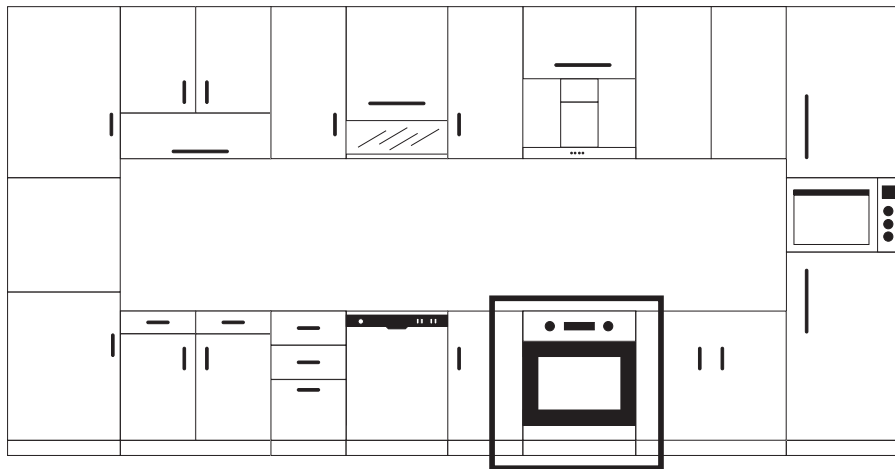
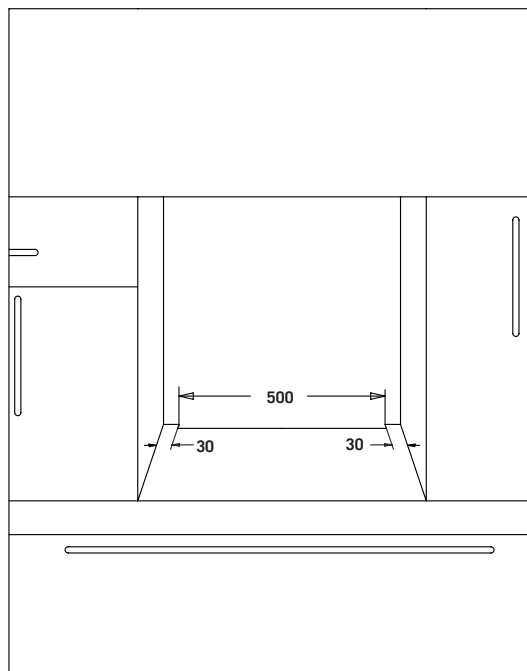


Figure 2



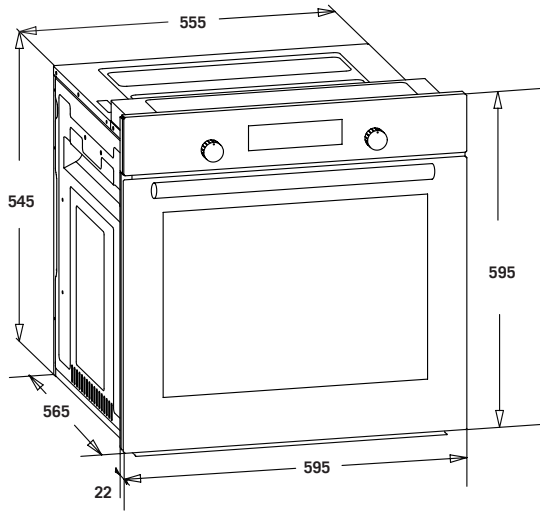
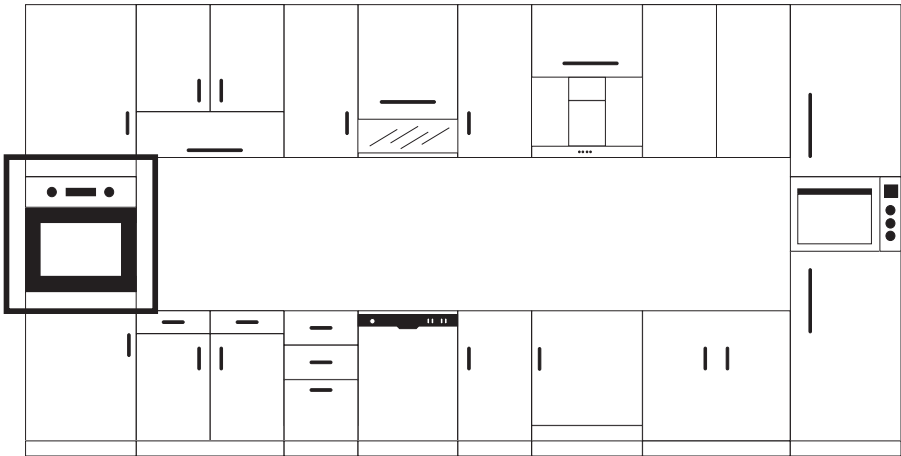


Figure 3



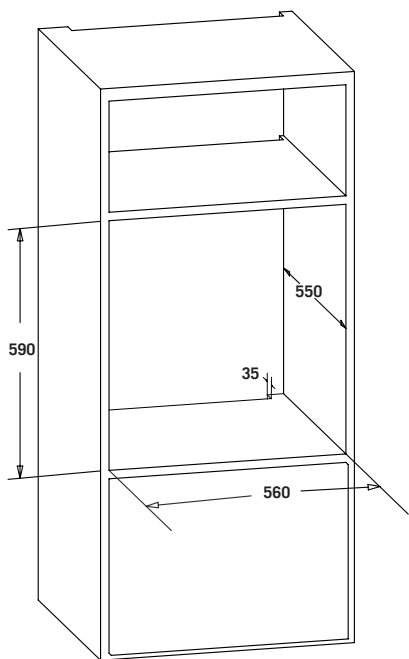


Figure 4

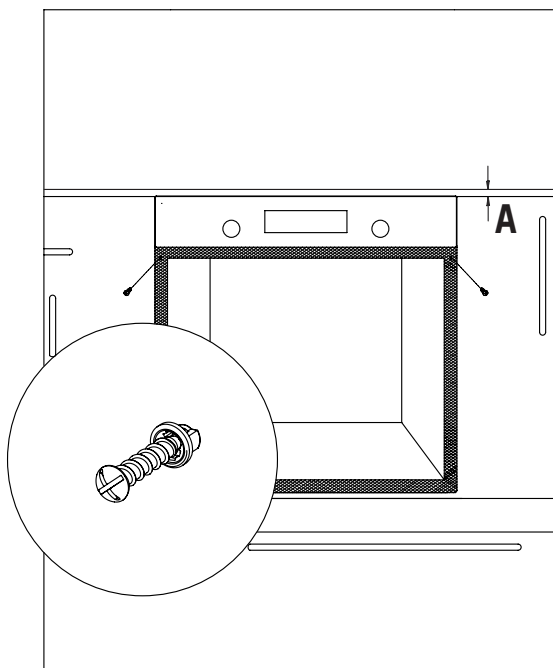
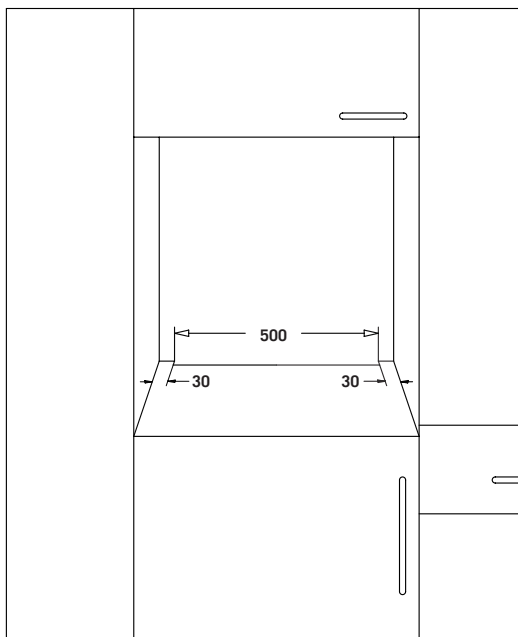
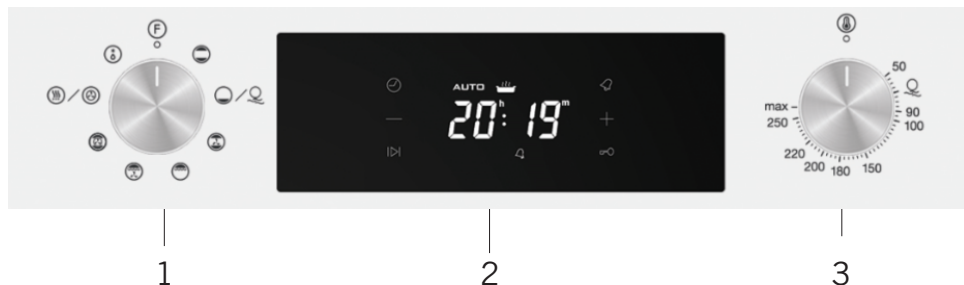


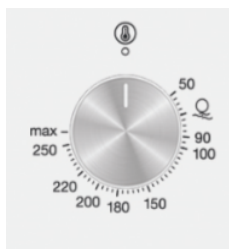
Figure 5

PANNEAU DE COMMANDE

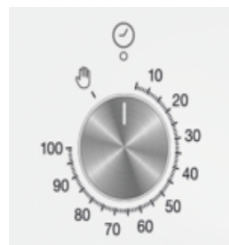


1. Bouton de fonction
2. Minuterie mécanique ou numérique
3. Thermostat

AVERTISSEMENT : Le panneau de contrôle ci-dessus est uniquement à des fins d'illustration. Examinez le panneau de commande de votre appareil.



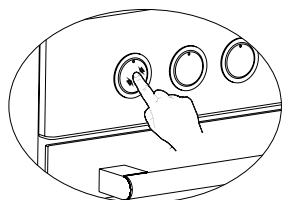
Bouton du thermostat : Permet de régler la température de cuisson des aliments à cuire dans le four. Vous pouvez régler la température désirée en tournant le bouton après avoir placé la nourriture dans le four. Contrôlez la table de cuisson concernant la température de cuisson des différents aliments.



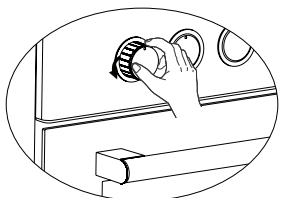
Bouton Minuterie mécanique * : Aide à définir la durée de cuisson des aliments dans le four. La minuterie désactive les éléments chauffants à la fin de la durée définie et vous avertit par une sonnerie. Consultez le tableau de cuisson pour les temps de cuisson.

Utilisation Des Boutons Pop-Up *

Les réglages peuvent uniquement être effectués lorsque le bouton est enfoncé pour les modèles avec bouton escamotable.



Assurez-vous que le bouton soit bien enfoncé en appuyant sur le bouton tel qu'illustré sur la figure située à gauche.



Vous pouvez procéder aux réglages nécessaires en tournant vers la droite ou la gauche lorsque le bouton est suffisamment enfoncé.

UTILISATION DU FOUR

Première utilisation du four

Voici une liste de choses à faire pour la première utilisation de votre four après avoir réalisé les raccordement nécessaires conformément aux instructions:

1. Retirez les étiquettes ou accessoires qui sont placés à l'intérieur de l'appareil. Retirez la feuille de protection situé sur la partie avant de l'appareil s'il y en a une.

2. Retirez la poussière et les résidus de l'emballage en essuyant l'intérieur du four à l'aide d'un chiffon humide. Le four doit être vide. Branchez le câble de l'appareil à la prise électrique.

3. Placez le bouton du thermostat sur la température la plus élevée (240 Max.°C) et faites fonctionner le four pendant 30 minutes en maintenant la porte fermée. Il est tout à fait normal qu'une légère fumée et une odeur se dégagent.

4. Essayez l'intérieur du four à l'aide d'eau légèrement chaude et du détergent une fois que le four aura refroidi et essuyez à l'aide d'un chiffon propre. Vous pouvez désormais utiliser votre four.

Utilisation normale du four

1. Réglez le bouton du thermostat et la température selon la cuisson que vous souhaitez réaliser et commencer à cuire.
2. Vous pouvez définir le temps de cuisson que vous souhaitez à l'aide du bouton sur les modèles équipés d'une minuterie mécanique. La minuterie désactivera les éléments chauffants lorsque la durée sera écoulée et émettra un signal sonore d'avertissement.
3. La minuterie mets les éléments chauffant hors tension et émet un signal sonore lorsque le temps de cuisson touche à sa fin conformément aux informations saisies dans les modèles équipés d'une minuterie numérique.
4. Le système de refroidissement de l'appareil continuera de fonctionner à la fin de la cuisson. Ne mettez pas l'appareil hors tensions dans ce cas afin de permettre le fonctionnement du processus de refroidissement. Le ventilateur doit s'arrêter de fonctionner automatiquement à la fin du refroidissement.

Utilisation Du Grill

1. Lorsque vous placez le gril sur le panier supérieur, les aliments sur le gril ne doivent pas toucher le gril.
2. Vous pouvez préchauffer pendant 5 minutes tout en grillant. Si nécessaire, vous pouvez retourner la nourriture à l'envers.
3. Les aliments doivent être au centre du gril pour assurer un débit d'air maximal à travers le four.

Pour allumer le gril:

1. Placez le bouton de fonction sur le symbole du grill.
2. Ensuite, réglez-le à la température désirée du grill.

Pour éteindre le grill

Réglez le bouton de fonction sur la position d'arrêt.

AVERTISSEMENT: Gardez la porte du four fermée pendant la cuisson.

Utilisation De La Rôtissoire Pour Poulet *

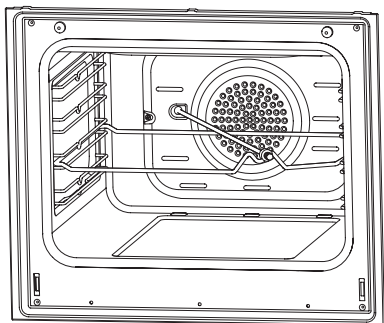
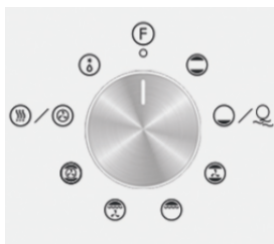


Figure 6

Placez la broche à rôtir sur le cadre. Faites glisser le cadre de la broche à rôtir dans le four au niveau souhaité. Installez le récipient de récupération à travers la partie inférieure pour la récupération des aliments. Ajoutez de l'eau dans le récipient de récupération pour un nettoyage facile. N'oubliez pas de retirer le plastique de la broche à rôtir. Après la cuisson, vissez la poignée plastique sur la brochette et retirez les aliments du four.

TYPES DE PROGRAMMES



Bouton de programme: Aide à définir avec quel élément chauffant la nourriture placée dans le four sera cuit. Les types de programmes de chauffage et leurs fonctions sont citées ci-dessous. Tous les modèles ne disposent pas de tous les types d'éléments chauffants et les types de programmes y afférents.

Les types de programmes de chauffage de votre appareil et des explications importantes à leurs sujets sont fournies ci-dessous pour que vous puissiez faire cuire des aliments différents adaptés à vos goûts.

	Élément chauffant supérieur et inférieur éléments		Ventilateur
	Élément chauffant inférieur et ventilateur		Élément chauffant turbo et ventilateur
	Grillade et poulet rôti		Élément chauffant inférieur et supérieur et ventilateur
	Élément chauffant supérieur et ventilateur		Gril et ventilateur
	Cuisson multifonctions (3D)		Gril
	Élément chauffant inférieur		Élément chauffant supérieur
	Petit gril et ventilateur		Nettoyage à la vapeur

Élément chauffant inférieur: Sélectionnez ce programme vers la fin du temps de cuisson si la partie inférieure du plat que vous faites cuire doit être rôtie.

Élément chauffant supérieur: Ce programme est utilisé pour réchauffer ou rôtir de petits morceaux d'aliments.

Éléments chauffants supérieur et inférieur: Programme qui peut être utilisé pour cuire des aliments tels que les gâteaux, les pizzas, les biscuits et les cookies.

Élément chauffant inférieur et ventilateur: Utilisez ce programme surtout pour la cuisson des aliments comme le gâteau de fruits

Élément chauffant supérieur et inférieur et ventilateur: Ce programme est adapté à la cuisson des aliments tels que des gâteaux, des gâteaux secs, des lasagnes. Adapté pour la cuisson de plats à base de viandes.

Gril: Le cuiseur à gril est utilisé pour griller des aliments tels que la viande, des saucisses et du poisson. Pendant la grillade, placez le plateau sur le support inférieur et mettez-y de l'eau.

Élément chauffant turbo et ventilateur: Adapté pour cuir au four et rôtir. Maintenez le réglage de chauffage en dessous du programme « Éléments chauffants inférieur et supérieur » car la chaleur atteint directement les aliments via le flux d'air.

Gril et ventilateur: Convient à la cuisson d'aliments tels que la viande. N'oubliez pas de placer un plateau de cuisson dans une étagère inférieure à l'intérieur du four et un peu d'eau dedans pendant la cuisson.

Cuisson multifonctions (3D): Adapté pour cuir au four et rôtir. Les éléments chauffants inférieur et supérieur fonctionnent ainsi qu'une transmission rapide de la chaleur par le flux d'air. Adapté à la cuisson nécessitant un plateau unique et une chaleur intense.

RECOMMANDATIONS RELATIVES À LA CUISSON

Vous trouverez dans le tableau suivant les informations sur les types d'aliments dont nous avons testé et identifié les valeurs de cuisson dans nos laboratoires. Les temps de cuisson peuvent varier en fonction de la tension du réseau, de la qualité des aliments à cuisiner, de la quantité d'aliments et du degré de chaleur. Les repas cuisinés à l'aide de ces valeurs pourraient ne pas convenir à vos goûts. Vous pouvez tester différentes valeurs afin d'obtenir différents goûts et des résultats à votre convenance.

AVERTISSEMENT: Le four doit être préchauffé pendant 7 à 10 minutes avant d'y placer des aliments.

Tableau De Cuisson

SES 6004 / SES 6204 / MES 8007 / MDS 8007:

Plats	Fonction de Ccisson	Temperature (°C)	Position de la grille	Temps de cuisson (min.)
Gâteau	Statique / Statique+ventilateur	170-180	2-3	35-45
Petits gâteaux	Statique / Turbo+ventilateur	170-180	2	25-30
Tarte	Statique / Statique+ventilateur	180-200	2	35-45
Pâtisserie	Statique	180-190	2	20-25
Cookie	Statique	170-180	2	20-25
Tarte aux pommes	Statique / Turbo+ventilateur	180-190	1	50-70
Gateau éponge	Statique	200/150 *	2	20-25
Pizza	Statique+ventilateur	180-200	3	20-30
Lasagne	Statique	180-200	2-3	25-40
Meringue	Statique	100	2	50
Poulet grillé **	Gril+ ventilateur	200-220	3	25-35
Poisson grillé **	Gril+ventilateur	200-220	3	25-35
Steak de veau **	Gril+ventilateur	Max	4	15-20
Boulette de viande **	Gril+ ventilateur	Max	4	20-25

* Ne préchauffez pas. Nous vous recommandons de définir la première moitié du temps de cuisson à 200 °C et la deuxième moitié à 150 °C.

** Les aliments doivent être retournés à la fin de la première moitié du temps de cuisson.

MDS 8008:

Plats	Fonction de cuisson	Temperature (°C)	Position de la grille	Temps de cuisson (min.)
Gâteau	Statique / Statique+ventilateur	170-180	2-3	30-35
Petits gâteaux	Statique / Turbo+ventilateur	170-180	2-3	25-30
Tarte	Statique / Statique+ventilateur	180-200	2-3	30-35
Pâtisserie	Statique	180-190	2	25-30
Cookie	Statique / Turbo+ventilateur	170-180	2-3	20-30
Tarte aux pommes	Statique / Turbo+ventilateur	180-190	2-3	40-50
Gateau éponge	Statique / Turbo+ventilateur	200/150 *	2-3	25-30
Pizza	Statique / Turbo+inférieur	180-200	3	20-30
Lasagne	Statique	180-200	2-3	20-25
Meringue	Statique / Inférieur-supérieur+ventilateur	100	2-3	60-70
Poulet grillé **	Grille / Inférieur-supérieur+ventilateur	200-220	2-3	25-30
Poisson grillé **	Grille	190-200-220	3-4	20-25
Steak de veau **	Grille	230	5	25-30
Boulette de viande **	Grille	230	5	20-35

* Ne préchauffez pas. Nous vous recommandons de définir la première moitié du temps de cuisson à 200°C et la deuxième moitié à 150°C.

** Les aliments doivent être retournés à la fin de la première moitié du temps de cuisson.

Cuisson Avec Pierre À Pizza *

Lors de la cuisson avec une pierre à pizza, placer la pierre à pizza sur une grille et préchauffer le four en mode pizza (turbo + inférieur) à 230 °C pendant 30 minutes. Une fois le préchauffage terminé, sans enlever la pierre à pizza mettez la pizza dessus avec la pelle à pain (ne placez pas de pizza congelée) et faites cuire à 180 °C pendant 20-25 minutes. Une fois la cuisson terminée, retirez la pizza cuite du four en utilisant la pelle à pain.

AVERTISSEMENT: Ne placez pas de pierre à pizza dans un four préchauffé.

AVERTISSEMENT: Une fois la cuisson terminée, ne retirez pas la pierre à pizza lorsqu'elle est chaude et ne la placez pas sur des surfaces froides. Sinon, la pierre à pizza peut être fissurée.

AVERTISSEMENT: N'exposez pas la pierre à pizza à l'humidité.

MAINTENANCE ET NETTOYAGE

1. Retirez la fiche secteur de la prise électrique.
2. Ne nettoyez pas les parties internes, le panneau, les étagères et les autres pièces du produit avec des outils durs tels qu'une brosse métallique, de la laine de verre ou un couteau. N'utilisez pas de produits abrasifs, de matériaux ou de détergents susceptibles de causer des rayures
3. Rincez après avoir essuyé les parties internes du produit avec un chiffon imbibé de savon puis séchez soigneusement avec un chiffon doux.
4. Nettoyez les surfaces en verre avec du matériel spécialement conçu à cet effet.
5. Ne nettoyez pas votre produit avec des nettoyeurs à vapeur.
6. N'utilisez jamais de matériaux inflammables tels que de l'acide, du diluant et du gaz pour nettoyer votre four.
7. Ne lavez aucune pièce de votre four dans le lave-vaisselle.
8. Utilisez du stéarate de potassium (savon doux) pour retirer la saleté et les taches.

Nettoyage À La Vapeur *

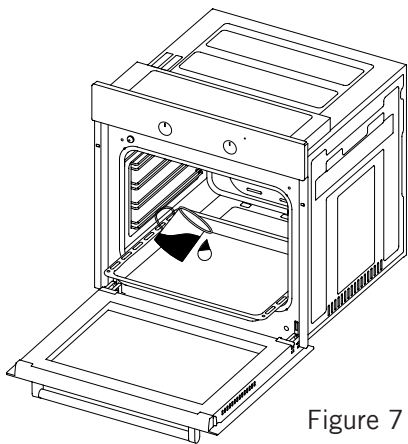


Figure 7

Permet de nettoyer les saletés ramollies grâce à la vapeur produite dans le four.

1. Retirez tous les accessoires du four.
2. Versez un demi-litre d'eau dans la plateau et placez le plateau au fond de la chaudière.
3. Placez le commutateur sur le mode de nettoyage à la vapeur.
4. Réglez le thermostat à 70 °C degrés et faites fonctionner le four pendant 30 minutes.
5. Après avoir fait fonctionner le four pendant 30 minutes, ouvrez la porte du four et essuyez les surfaces interne à l'aide d'un chiffon humide.
6. Utilisez du liquide lave-vaisselle, de l'eau chaude et un chiffon doux pour les tâches tenaces, puis sécher la zone que vous venez de nettoyer avec un chiffon sec.

Nettoyage Et Installation De La Porte Du Four

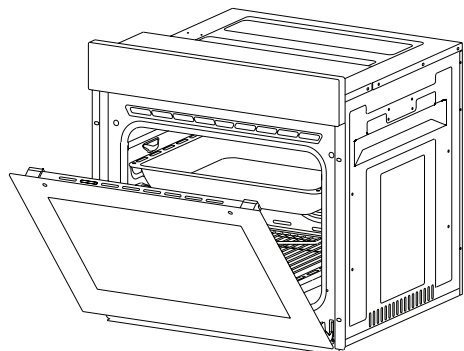


Figure 8

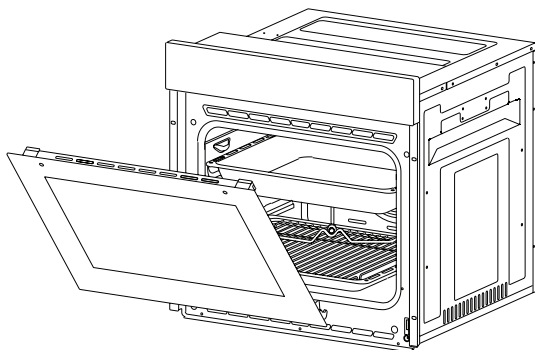


Figure 9

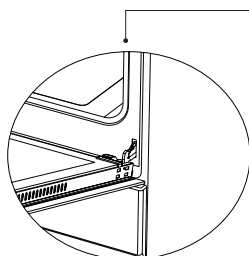


Figure 8.1

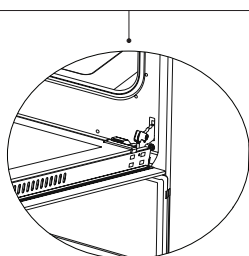


Figure 8.2

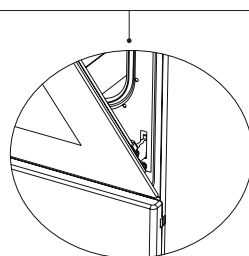


Figure 9.1

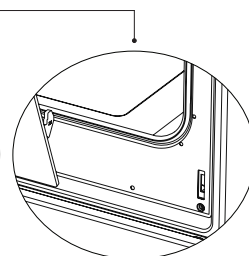


Figure 9.2

Ouvrez entièrement la porte du four en la tirant vers vous. Procédez ensuite à l'opération de déverrouillage en tirant le verrou de la poignée vers le haut à l'aide d'un tournevis tel qu'indiqué **figure 8.1**.

Réglez le verrouillage de la poignée à l'angle le plus large tel qu'indiqué sur la **figure 8.2**. Réglez les deux poignées en raccordant la porte du four au four sur la même position.

Ensuite, fermez la porte de manière à ce qu'elle entre en contact avec le verrou de la poignée tel qu'indiqué sur la **figure 9.1**.

Pour retirer facilement la porte du four, lorsqu'elle est presque fermée, tenez le couvercle à l'aide de vos deux mains tel qu'indiqué sur la **figure 9.2** et tirez vers le haut.

Réalisez l'opération faite pendant l'ouverture de la porte dans le sens contraire pour réinstaller la porte du four.

Nettoyage De La Vitre Du Four

Soulevez en appuyant sur les loquets en plastique situés sur les côtés gauche et droit tel qu'illustré sur la figure 10 et tirez le profilé vers vous tel qu'illustré sur la figure 11. La vitre est relâchée une fois que le profilé est retiré tel qu'illustré sur la figure 12. Retirez la vitre en la tirant délicatement vers vous. La vitre externe est fixée sur la porte du four. Vous pouvez procéder facilement au nettoyage de la vitre après l'avoir retirée. Vous pouvez replacer les vitres après avoir procédé à l'entretien et au nettoyage en réalisant l'opération dans le sens contraire. Assurez-vous que le profilé soit bien en place.

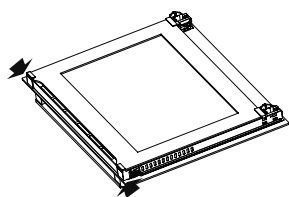


Figure 10

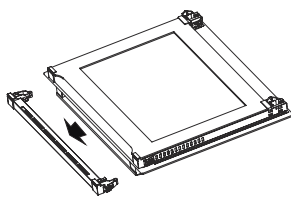


Figure 11

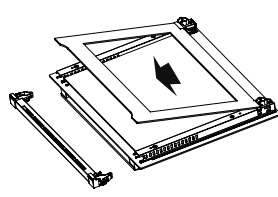


Figure 12

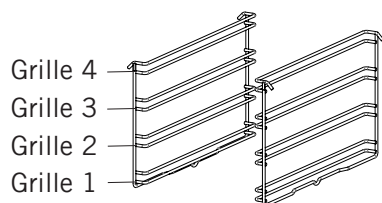
Parois Catalytiques *

Les parois catalytiques se trouvent à gauche et à droite de la cavité située sous les guides. Les parois catalytiques expulsent la mauvaise odeur et permettent d'obtenir une meilleure performance de la cuisinière. Elles absorbent également les résidus d'huile et nettoient votre four lorsqu'il est en marche.

Retrait des parois catalytiques

Pour retirer les parois catalytiques, vous devez retirer les guides. Une fois les guides démontés, les parois catalytiques seront dégagées automatiquement. Vous devez changer les parois catalytiques après 2 ou 3 ans.

Positions De La Grille



Il est important de placer correctement la grille dans le four. Ne laissez pas la grille toucher la paroi arrière du four. Les positions de la grille sont indiquées dans la figure suivante. Vous pouvez placer un plateau profond ou un plateau standard sur les grilles inférieures et supérieures.

Installation et retrait des supports de câbles

Pour retirer les grilles, appuyez sur les clips indiqués par les flèches sur la figure, enlevez en premier lieu le bas et le côté supérieur de l'emplacement d'installation. Pour installer une grille ; effectuez l'inverse de la procédure de retrait d'une grille.

Remplacement De L'ampoule Du Four

AVERTISSEMENT : Pour éviter un choc électrique , assurez-vous que le circuit de l'appareil soit ouvert avant de changer la lampe.

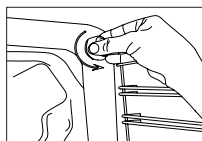
(tenir le circuit d'alimentation ouvert signifie que l'alimentation est coupée)
Coupez l'alimentation de l'appareil dans un premier temps et veillez à ce que l'appareil soit froid.

Retirez la protection en verre en la faisant tourner vers le côté gauche tel qu'indiqué sur la figure. Utilisez des gants en plastique pour vous aider si vous avez des difficultés à la faire tourner.

Ensuite, retirez l'ampoule en la faisant tourner, montez la nouvelle ampoule en suivant les mêmes instructions. Les caractéristiques de l'ampoule doivent être les suivantes;

Réinstallez la protection en verre, branchez le câble d'alimentation de l'appareil dans la prise électrique et complétez l'opération de remplacement. Vous pouvez désormais utiliser votre four.

Type de lampe G9



220-240 V, AC
15-25 W

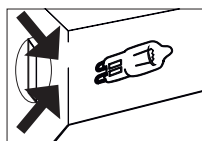


Figure 13

Type de lampe E14



220-240 V, AC
15 W



Figure 14

DÉPANNAGE

Vous pouvez résoudre les problèmes que vous pouvez rencontrer avec votre appareil en vérifiant les points suivants avant d'appeler le service technique.

Point de Contrôle

Si vous rencontrez un problème avec le four, vérifiez en premier lieu le tableau ci-dessous et essayez les suggestions.

Problème	Causes probables	Action
Le four ne fonctionne pas.	L'alimentation électrique n'est pas disponible	Vérifiez l'alimentation.
Le four s'arrête lors de la cuisson.	La fiche sort de la prise murale.	Réinstallez la fiche dans la prise murale.
S'éteint pendant la cuisson.	Fonctionnement continu trop long	Laissez le four refroidir après de longs cycles de cuisson.
	Le ventilateur de refroidissement ne fonctionne pas.	Écoutez le son du ventilateur de refroidissement.
	Four non installé dans un endroit bien ventilé.	Assurez-vous que les dégagements spécifiés dans les instructions d'utilisation sont maintenus.
	Plus d'un appareil dans une prise murale.	Utilisez seulement une prise pour chaque prise murale.
La surface extérieure du four devient très chaude pendant le fonctionnement.	Four non installé dans un endroit bien ventilé.	Assurez-vous que les dégagements spécifiés dans les instructions d'utilisation sont maintenus.
La porte du four ne s'ouvre pas correctement.	Résidus d'aliments coincés entre la porte et la cavité interne.	Nettoyez bien le four et essayez de ré-ouvrir la porte.
La lumière interne est faible ou ne fonctionne pas.	Objet étranger recouvrant la lampe pendant la cuisson.	Nettoyez la surface interne du four et vérifiez à nouveau.
	La lampe a peut-être tombé.	Remplacez-la avec une lampe avec les mêmes spécifications.
Un choc électrique lors du contact avec le four.	Pas de mise à la terre appropriée.	Assurez-vous que l'alimentation électrique est correctement mise à la terre.
	Une prise murale non mise à la terre est utilisée.	

Problème	Causes probables	Action
De l'eau qui goutte.	L'eau ou la vapeur peuvent se produire dans certaines conditions selon l'aliment en cours de cuisson. Ce n'est pas une faute de l'appareil.	Laissez le four refroidir et essayez-le avec un chiffon.
Vapeur s'échappant d'une fissure sur la porte du four.		
L'eau reste à l'intérieur du four.		
Le ventilateur de refroidissement continue à fonctionner après la fin de la cuisson.	Le ventilateur fonctionne pendant un certain temps pour la ventilation de la cavité interne du four.	Ce n'est pas une faute de l'appareil; vous n'avez donc pas à vous inquiéter.
Le four ne chauffe pas	La porte du four est ouverte.	Fermez la porte et redémarrez.
	Les commandes du four ne sont pas correctement réglées.	Lisez la section concernant le fonctionnement du four et réinitialisez le four.
	Fusible déclenché ou disjoncteur désactivé.	Remplacez le fusible ou réinitialisez le disjoncteur. Si cela se répète fréquemment, appelez un électricien.
Fumée sortant pendant le fonctionnement.	Lorsque vous utilisez le four pour la première fois.	La fumée sort des éléments chauffants. Ce n'est pas une faute. Après 2 ou 3 cycles, il n'y aura plus de fumée.
	Nourriture sur les éléments chauffants.	Laissez le four refroidir et nettoyez les résidus de nourriture du sol du four et de la surface du réchauffeur supérieur.
Lorsque vous faites fonctionner le four, une odeur de plastique brûlé ou sort.	Des accessoires en plastique ou autres résistants à la chaleur sont utilisés à l'intérieur du four.	À des températures élevées, utilisez des accessoires en verre appropriés.
Le four ne cuit pas bien.	La porte du four est fréquemment ouverte pendant la cuisson.	N'ouvrez pas la porte du four fréquemment si les aliments que vous cuisinez ne nécessitent pas d'être retournés. Si vous ouvrez fréquemment la porte, la température interne chute et le résultat de la cuisson est influencé.

RÈGLES DE MANUTENTION

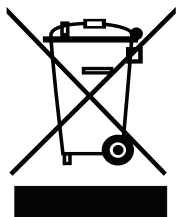
1. N'utilisez pas la porte et / ou la poignée pour transporter ou déplacer l'appareil.
2. Effectuez la manutention et le transport dans l'emballage d'origine.
3. Portez une attention maximale à l'appareil lors du chargement / déchargement et la manipulation.
4. Assurez-vous que l'emballage est bien fermé pendant la manutention et le transport.
5. Protégez contre les facteurs externes (tels que l'humidité, l'eau, etc.) qui pourraient endommager l'emballage.
6. Veillez à ne pas endommager l'appareil en raison d'accidents, chocs, chutes, etc. lors de la manutention et du transport et veillez à ne pas briser ou déformer l'appareil au cours de son utilisation.

RECOMMANDATIONS POUR ÉCONOMISER L'ÉNERGIE

Les détails suivants vous aideront à utiliser votre produit de manière écologique et économique.

1. Utilisez des contenants de couleur foncée et en émail qui conduisent mieux la chaleur dans le four.
2. Lorsque vous cuisinez vos aliments, si la recette ou le manuel d'utilisation indique qu'un préchauffage est requis, préchauffez le four.
3. N'ouvrez pas fréquemment la porte du four lors de la cuisson.
4. Essayez de ne pas faire cuire plusieurs plats en même temps dans le four. Vous pouvez faire cuire en même temps en plaçant deux cuisinières sur le grill.
5. Faites cuire plusieurs plats successivement. Le four ne perdra pas de chaleur.
6. Éteignez le four quelques minutes avant l'expiration du temps de cuisson. Dans ce cas, n'ouvrez pas la porte du four.
7. Décongelez les aliments congelés avant de les cuire.

MISE AU REBUT RESPECTUEUSE DE L'ENVIRONNEMENT



Procédez à la mise au rebut de l'emballage de manière écologique.

Le présent appareil est étiqueté conformément à la Directive 2012/19/UE du parlement européen relative aux appareils électriques et électroniques usagés (déchets d'équipements électriques et électroniques - DEEE). La directive ci-dessus détermine le cadre de retour et de recyclage des appareils usagés tels qu'appliqué au sein de l'UE.

INFORMATIONS RELATIVES À L'EMBALLAGE

Les matériaux d'emballage de cet appareil sont fabriqués à partir de matériaux recyclables, conformément à nos réglementations nationales en matière d'environnement. Ne jetez pas les matériaux d'emballage avec les ordures ménagères habituelles ou autres déchets. Transportez-les plutôt vers les points de collecte de matériaux d'emballage désignés par les autorités locales.



www.cata.es



CATA ELECTRODOMÉSTICOS, S.L.

Oficinas: c/ Anabel Segura, 11, Edif. A, 3a pl. 28108. Alcobendas. Madrid. España

Fábrica: c/ del Ter 2, Apdo. 9. 08570. Torelló. Barcelona. España

T . +34 938 594 100 - Fax +34 938 594 101

www.cnagroup.es - cna@cnagroup.es

Atención al Cliente: 902 410 450 / +34 938 521 818 - info@cnagroup.es
International SAT - www.cnagroup.es/warranty



XXXXXXXXXX.DD.MM.YYYY