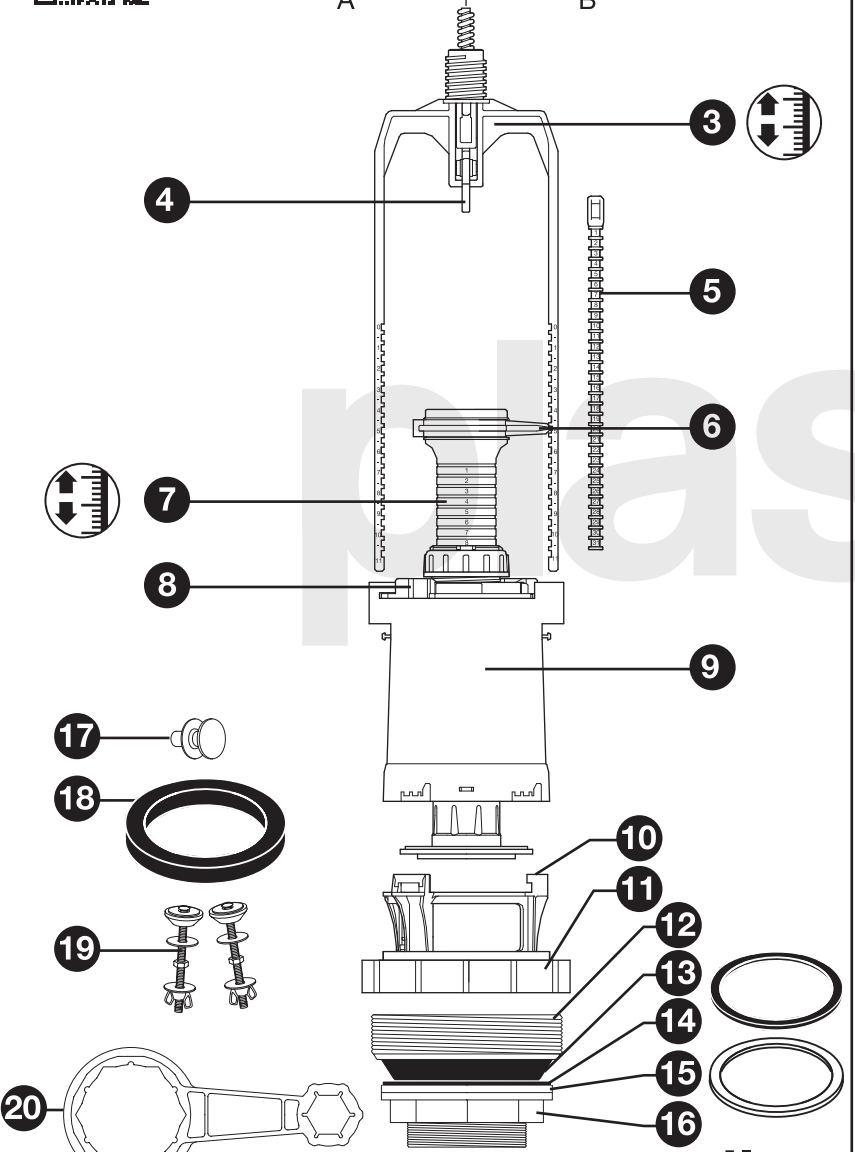
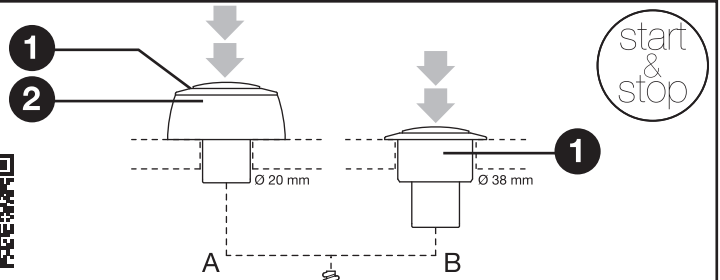


**i**



plastisan®  
©20161103

