

OUTR

IBIZA

ASSEMBLE AND OPERATION MANUAL



TABLE OF CONTENTS

Warning	3
Assembly instructions	4
Heating mode and location	8
Gas requirements	8
Gas tank, regulator and hose	9
1. Controller and hose	9
2. Gas tank.....	9
Leakage test.....	10
Gas odour of the fuel.....	10
Turn on the heating.....	11
Turn off the heating	11
Cleaning and maintenance.....	11
Storage	11
Troubleshooting.....	13

Warning

PLEASE READ CAREFULLY THE FOLLOWING SAFETY GUIDELINES BEFORE OPERATION. BEFORE INSTALLATION AND OPERATION, PLEASE READ THE MANUAL CAREFULLY. REPAIRS SHOULD ONLY BE CARRIED OUT BY QUALIFIED SERVICE PERSONNEL

- This appliance must be installed and the gas cylinder must be stored in accordance with the regulations in force.
- Do not block the ventilation openings of the cylinder housing.
- Do not move the unit when in operation.
- Close the valve of the gas tank or the regulator before moving the unit.
- The pipe or the flexible hose must be changed within the prescribed intervals.
- Use only the type of gas and the type of cylinder specified by the manufacturer.
- In case of strong wind, special attention should be taken against tilting of the device.
- Do not use this device indoors, as it may cause personal injury or property damage.
- This outdoor heater is not intended to be installed on recreational vehicles and/or boats.
- The device must be placed on a solid surface.
- Maintenance and repair must be carried out by a qualified person.
- Improper installation, adjustment, modification may cause personal injury or property damage.
- Do not attempt to modify the unit in any way.
- Never replace or modify the controller with a controller other than the factory suggested replacement.
- Do not store or use gasoline or other flammable vapors or liquids in the heating unit.
- The entire gas system, hose, regulator, pilot light or burner must be checked for leaks or damage before use and at least annually by a qualified service technician.
- All leak tests must be carried out using a soap solution. Never use an open flame to check for leaks.
- Do not use the patio heater until all connections have been tested for leaks.
- Turn off the gas tap immediately if any smell of gas is detected.
- Do not transport the patio heater while it is in operation.
- Do not move the heater after it has been turned off until the temperature has cooled down.
- The control compartment, burner and circulation air of this patio heater must be kept clean.
- Frequent cleaning may be required as necessary.
- The LPG tank should be turned off when not in use.
- Check the heater immediately if any of the following situations occur:
 - The heater does not reach the temperature.
 - The burner makes a plopping noise during operation (a slight noise is normal when the burner goes out).
 - Odour of gas in combination with extreme yellow tops on the burner flames.
- The LPG regulator / hose assembly must be located in the tank cabinet where the LPG tank is located.
- Any guards or other protective devices that have been removed for maintenance of the stove must be replaced before the stove is used.
- Adults and children should stay away from high-temperature surfaces to avoid burns or clothing dislocation.
- Children should be carefully supervised when they are in the area of the heater.
- Do not hang clothing or other flammable materials from or place them near the stove. the stove.

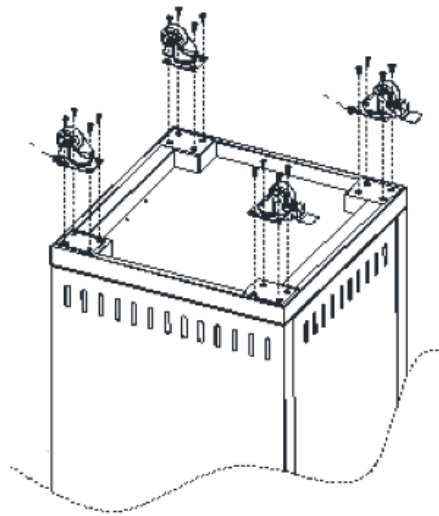
Assembly instructions


Remove the heater body and all components from the box and follow the procedures below.

STEP 1 – Attach the swivel castors

With at least two people, carefully lay the unit on its side to fix the swivel castors.

Using a screwdriver, fasten the swivel castors to the bottom of the unit using the 16 screws supplied (M6x10).

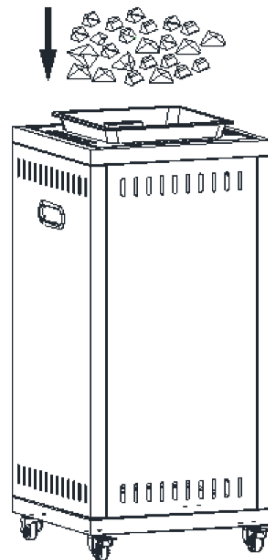


 x 16 pieces

STEP 2 – Add a burner bed

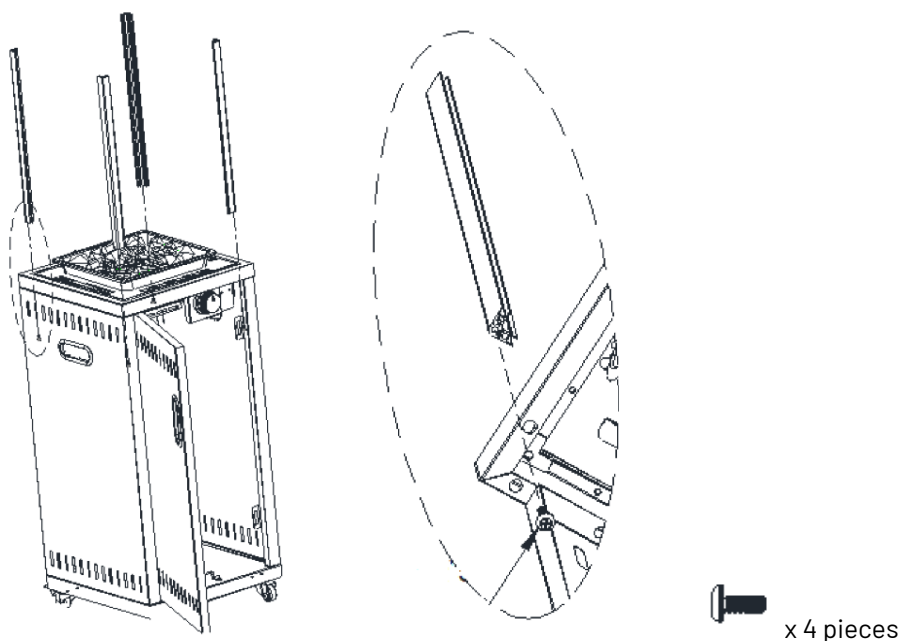
The following action is best performed outside or in a sufficiently ventilated room!

Cover the burner bed with the lava stones. The bag of lava stones must NOT be thrown on the burner because the bags usually contain some fine dust that can clog up the burner jets. It is better to empty the bags into a suitable container and then place the glass or stone by hand around the burner. Make sure that the area around the pilot flame is kept free so that air can get to it.



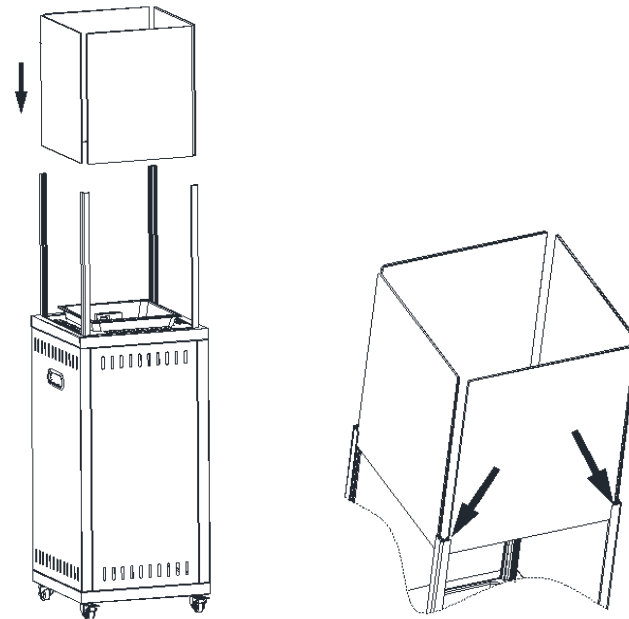
STEP 3 – Attach the side posts

Attach the side posts to the heating body according to the following figure using 4 screws (M5x15).



STEP 4 - Place the glass

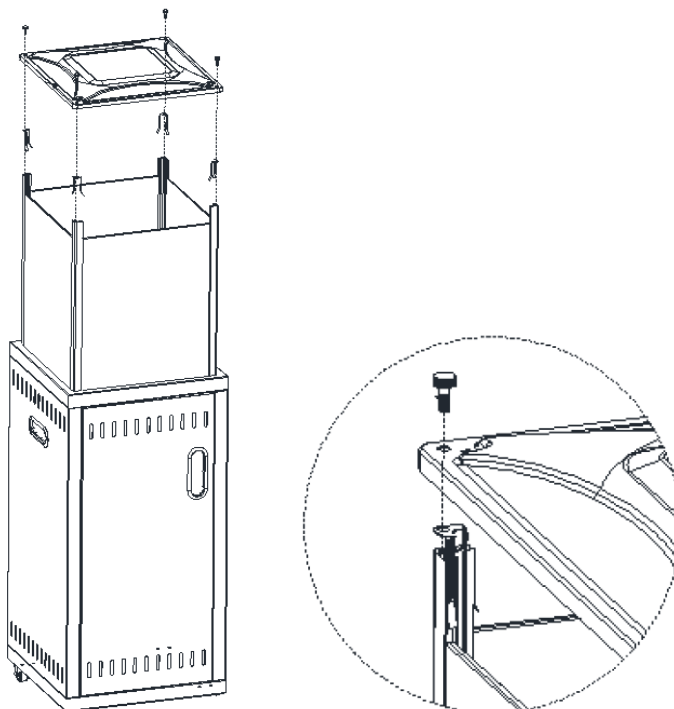
Place the glass in the side posts according to the illustration below, piece by piece. Ask for help to hold the glass during installation.




STEP 5 - Add top panel

Using a screwdriver, attach the top panel to the top of the unit using the supplied glass brackets and 4 screws (M5x18).

This will need to be done by two people.

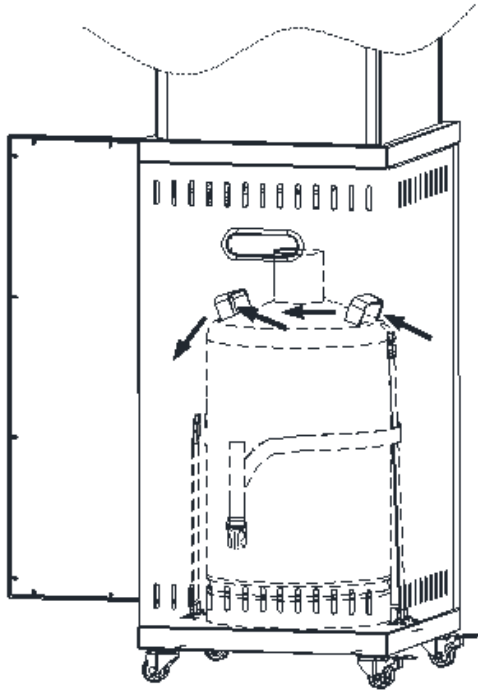


 x 4 pieces

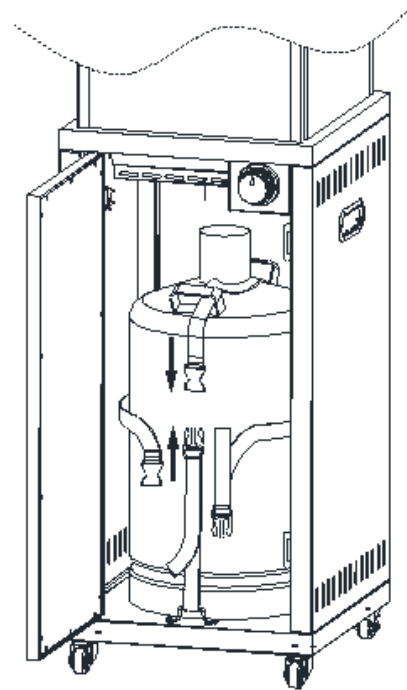
STEP 6 – Install the gas cylinder

The gas bottle/cylinder may be a maximum of 30cm wide and 60cm high (including the regulator).

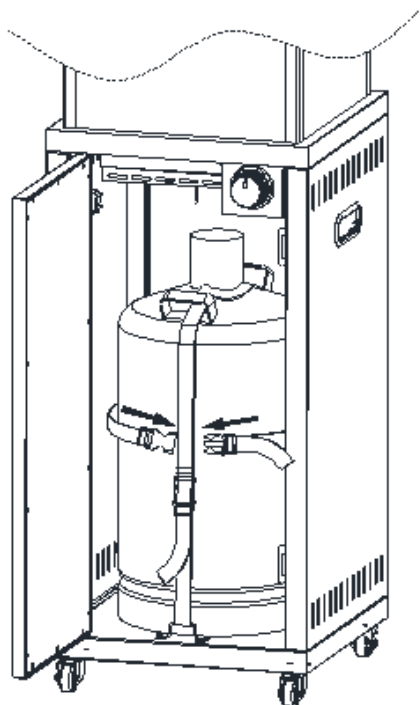
Attach the fixed straps to the gas cylinder according to the 4 illustrations below.



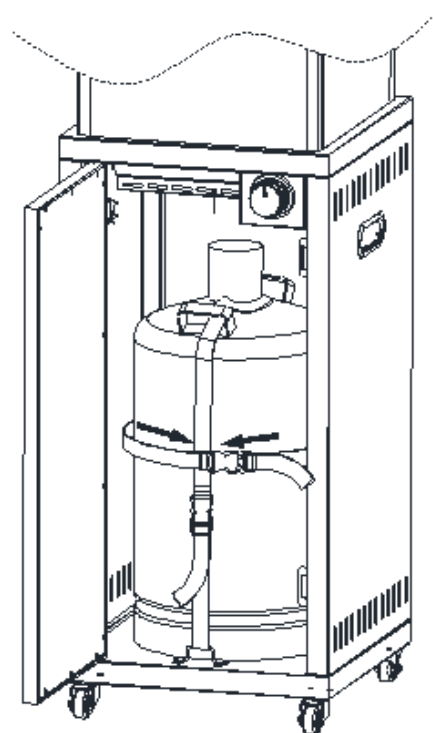
1/



2/



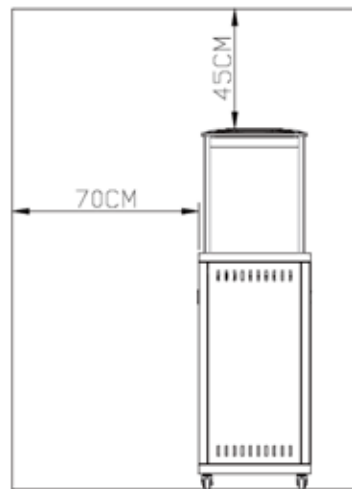
3/



4/

Heating mode and location

- The patio heater is for outdoor use only. Make sure that there is always a sufficient supply of fresh air/ventilation.
- Always keep a sufficient distance, at least 2 metres, from flammable materials.
- The patio heater must be placed on a flat, solid surface.
- Never use the heater in explosive atmospheres such as in areas where gasoline or other flammable liquids or vapours are stored.
- Close the gas valve on the cylinder after each use.
- The patio heater must be protected from strong winds by braking the wheel.
- Respect the distance from walls and ceilings as shown in the illustration below.



Gas requirements

- Use only liquid propane gas.
- The pressure regulator and hose to be used should comply with local standard codes.
- The maximum inlet pressure of the regulator should not exceed 100 PSI or 6.89 bar.
- The installation shall comply with local codes or, in the absence of local codes, with the standard for the storage and handling of liquid petroleum gases.
- A dented, rusted or damaged propane tank can be dangerous and should be checked by your tank supplier. Never use a propane tank with a damaged valve connection.
- The propane tank shall be installed in such a way that vapour can be discharged from the working cylinder drained.
- Never connect an unregulated propane tank to the stove.
- Replace the gas cylinder in a well-ventilated area, away from all sources of ignition (candles, cigarettes, other flame-producing devices, etc.).
- Check that the regulator seal is correctly fitted and able to function.
- Do not obstruct the ventilation openings of the cylinder housing.
- Instructions in the case of gas leaks; for example: in the case of gas leaks, the device not be used or lit, the gas supply must be cut off and the appliance must be examined and repaired before it is used.

- The recommended frequency of checking the tube and the flexible hose (at least once a month and every time the cylinder is changed). If it shows signs of cracks, splitting or other deterioration, it will have to be exchanged for a new hose of the same length and equivalent quality.
- The hose connecting the regulator and the inlet must not be longer than 80 cm.
- The hose must be CE-approved, and heat-resistant between -20°C and 80°C.

Gas tank, regulator and hose

This unit is only suitable for use with low-pressure butane or propane gas and fitted with the appropriate low-pressure regulator via a flexible hose. The hose must be attached to the regulator and the device with hose clamps or nuts. This patio heater is set to operate on a 28 mbar regulator with butane gas and a 37 mbar regulator with propane gas and a regulator with butane/propane mixture regulator at 50 mbar and butane/propane mixture regulator at 30 mbar. Use a suitable regulator that is BSEN-certified 16129: 2013. Consult your dealer for information on a suitable regulator for the gas cylinder.

1. Controller and hose

Only use regulators and hoses that are approved for LPG at the above mentioned pressures. The use of the wrong regulator or hose is unsafe; always check that you have the correct items for operating the stove. The hose used must comply with the relevant standard of the country of use. The life expectancy of the hose is estimated at 10 years. It is recommended that the hose be replaced within 10 years of the date of manufacture. Check the date of manufacture on the hose. The length of the hose should be (maximum) 1.5 metres. Worn or damaged hoses must be replaced. Make sure that the hose is not clogged, kinked, or allowed to come into contact with any part of the heater other than the connector. The hose should not be twisted or kinked when attached to the gas cylinder. No part of the hose should touch any part of the appliance. So place the cylinder out to the left side of the appliance at the maximum distance allowed by the hose length.

2. Gas tank

The maximum diameter and the maximum height of the cylinder as shown in (figure 1). The unit can be used with any gas cylinder of weights between 4.5kgs and 13kgs of butane and 3.9kgs to 11kgs of propane. The gas cylinder must not be set down or handled roughly! When the device is not in use, the cylinder must be disconnected. Put the protective cap back on the cylinder after disconnecting it from the device. Cylinders should be stored outside in an upright position and out of reach of children. The cylinder should never be stored where the temperature can exceed 50° C. Do not store the cylinder near flames, pilot lights or other sources of ignition. DO NOT SMOKE IN THE VICINITY.



figure 1

1. Maximum diameter or width: 305 mm
2. Maximum height (including regulator): 550 mm

Leakage test

Gas connections to the stove are tested for leaks at the factory before shipment. A full gas tightness test must be carried out at the installation site due to possible misuse during shipment or excessive pressure on the stove.

- Make a soap solution of one part liquid detergent and one part water.
The soap solution can be applied with a spray bottle, brush or cloth.
Soap bubbles appear in the event of a leak.
- The patio heater must be checked with a full cylinder.
- Ensure that the safety valve is in the OFF position.
- Turn the gas supply ON.
- In the event of a leak, shut off the gas supply. Tighten leaking fittings, then switch then turn on the gas supply and check again.
- Never perform a leak test while smoking.
- If gas smell is detected, take immediate action.

Gas odour of the fuel

LPG gas and natural gas have artificial odours that are specially added for detecting fuel gas leaks. If a gas leak occurs, you should be able to smell the gas. Because propane (LPG) is heavier than air, you should be able to smell the gas low to the ground.

ANY GAS SMELL IS YOUR SIGNAL TO ACT IMMEDIATELY!

- Do not take any action that may cause the fuel gas to ignite. Do not operate any electrical switches.
- Do not pull a power cable or extension cord.
- Do not light matches or other flames.
- Do not use your telephone.

Turn on the heating

1. Turn the regulator on the gas supply cylinder fully open.
2. Push and turn the control knob to the " ⚡ " position (90° anti-clockwise) to light the pilot light.
3. If the pilot light does not light, repeat step 2.
4. After lighting the pilot light, push and turn the control knob to the HI position to light the burner.
5. Adjust the heat by turning the control knob to the desired temperature position.

Note :

If a new tank has just been connected, allow at least one minute for the air in the gas line to flow out through the pilot hole.

Turn off the heating

1. Turn the regulator on the gas supply cylinder completely off.
2. Turn the control knob to the HI position (90° clockwise) and then press and turn the control knob to the " ⚡ " position to turn off the burner. But the pilot light is still burning.
3. Push and turn the control knob to the OFF position (90° anti-clockwise) to switch off the pilot light.

Cleaning and maintenance

Make sure that cleaning is done after the heater has been switched off and cooled down.

Wipe powder-coated surfaces with a soft, damp cloth.

Do not clean the stove with flammable or caustic cleaning agents.

Remove dirt from the burner to keep it clean and safe for use.

Open the upper rear door to carefully clean away any dirt on the glass.

Storage

1. Always close the gas valve of the gas bottle after use or in the event of a malfunction.
2. Remove the pressure regulator and the hose.
3. Check the gas valve for leaks and damage. If you suspect any damage, have it replaced by your gas dealer.
4. Never store the gas bottle underground or in places without adequate ventilation.

Manufacture	OUTDOOR CAMPUS BV
Product name	Outdoor Patio heater
Model	IBIZA
Heat rate	9kW
Gas categories	I3+(28-30/37)
Gas pressure	G30 Butane at 28-30 mbar & G31 Propane at 37 mbar
Consumption	655g/h
Injector size	1.46 mm
Dimensions	134,5 x 42 x 42 cm
Weight	31 kg
Country code I3B/P(30)	GB, BE, CY, CZ, FR, GR, IE, IT, LV, LT, LU, PT, SK, SI, ES, CH
Pin No.	0063DL7313
For outdoors and well ventilated areas use	
This device is not for domestic use	
The use of this appliance in enclosed areas can be dangerous and is PROHIBITED	
Empty ventilated rooms must have at least 25% of the surface area open. The surface area is the sum of the wall surface	
Warning: accessible parts can be very hot; keep children away	
Read the instruction manual before using the device; the device must be installed in accordance with the instructions and local regulations	
Close the valve of the gas cylinder or the regulator after use	
	

Troubleshooting

PROBLEM	PROBLEM CAUSE	SOLUTION
The pilot light does not light	<ul style="list-style-type: none"> The gas valve may be off Tank fuel empty Opening blocked Air in supply system Loose connections 	<ul style="list-style-type: none"> Turn the throttle ON Refill LPG tank Clean or replace opening Purge air from lines Check all fittings
The pilot light does not stay lit	<ul style="list-style-type: none"> Debris around the pilot light Loose connections Bad thermocouple Gas leak in the pipe Lack of fuel pressure 	<ul style="list-style-type: none"> Clean the dirty area Tighten connections Replace thermocouple Check connections Tank almost empty. Refill LPG tank
The burner will not light	<ul style="list-style-type: none"> Pressure is low Opening blocked Control not turned ON Thermocouple bad Pilot light bent Not in correct location 	<ul style="list-style-type: none"> Tank almost empty. Refill LPG tank Remove and clean. Switch valve to ON Replace thermocouple Replace the pilot correctly Reposition correctly and try again

OUTR

KORTRIJKSESTEENWEG 1266

9051 GENT

TEL: 0032 55 23 26 48

www.outr.be

info@outr.be

ENTER_{THE}
OUTSIDE