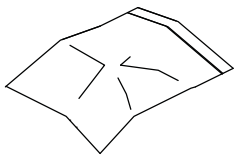
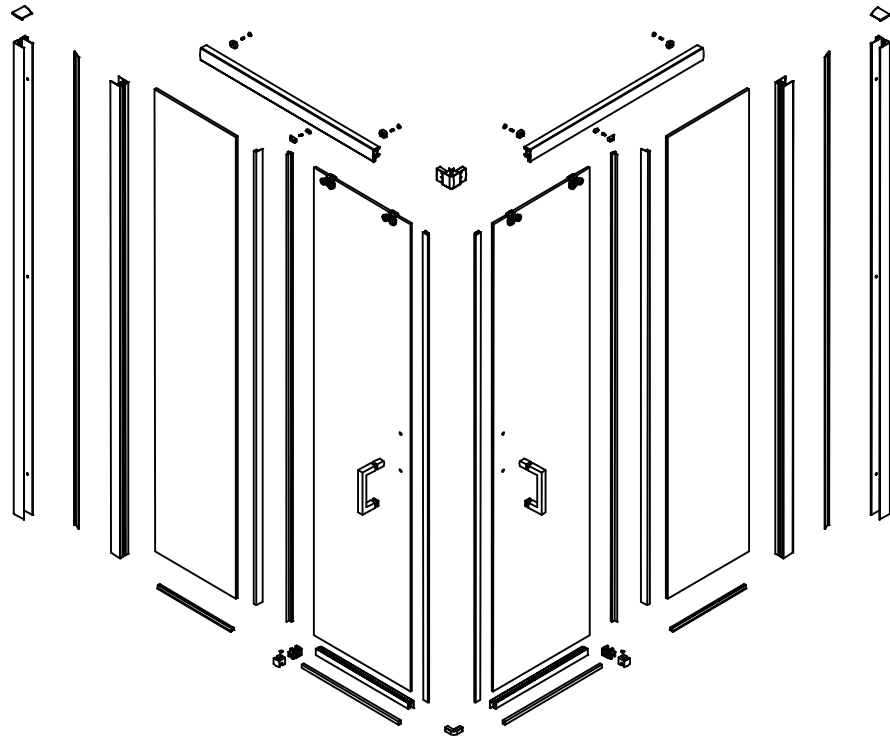
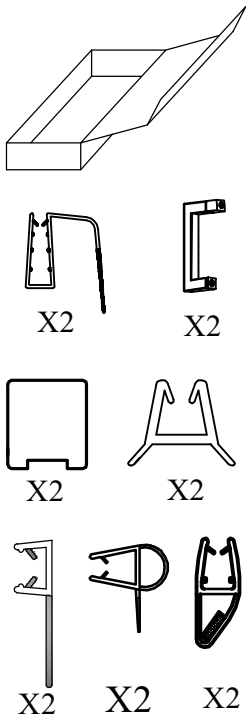


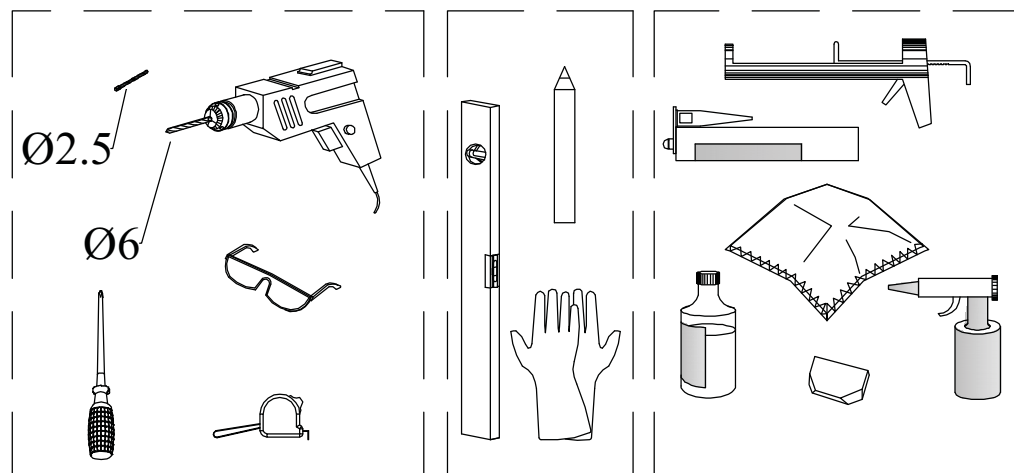
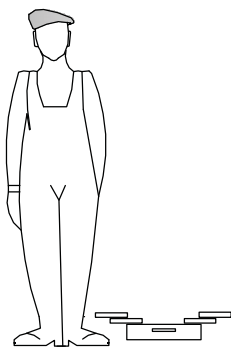
E INSTRUCCIONES DE MONTAJE
F INSTRUCTIONS DE MONTAGE
GB INSTALLATION INSTRUCTIONS

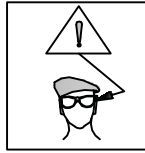
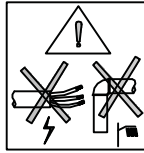
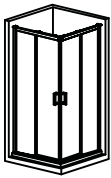
I INTRUZIONI DI MONTAGGIO
P INSTRUCAO DE MONTAGEM

MK10S01

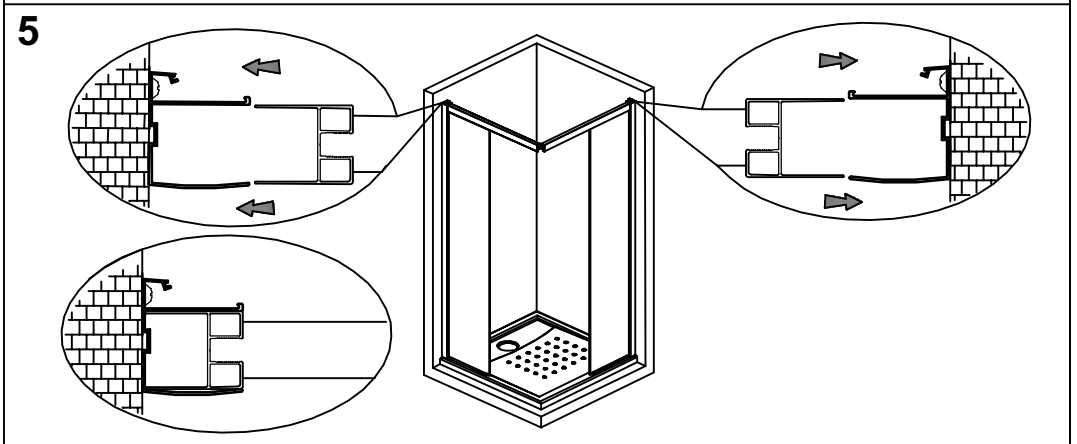
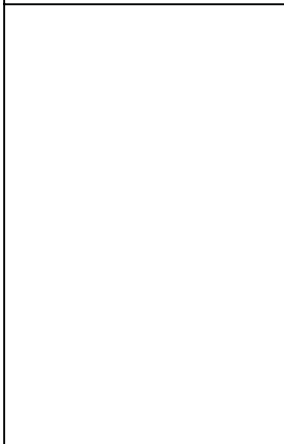
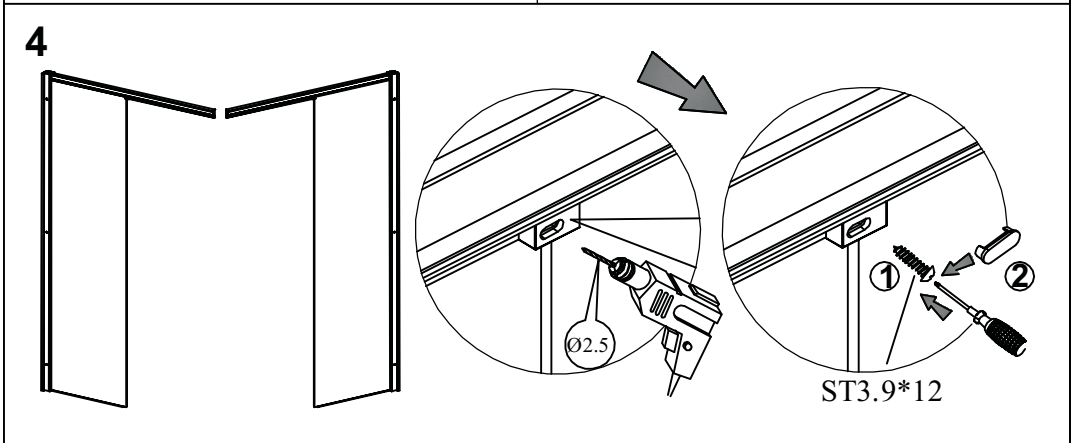
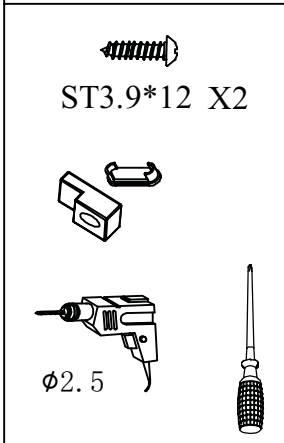
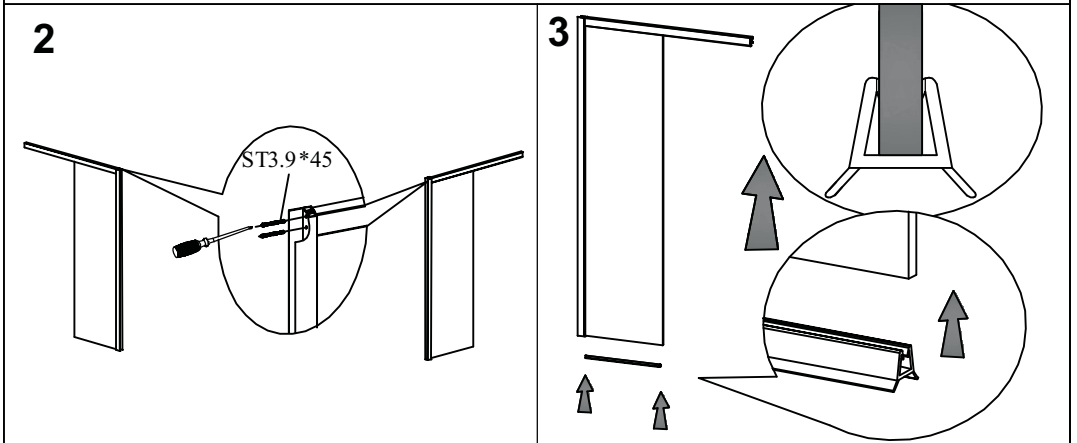
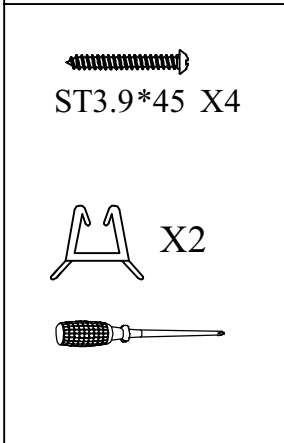
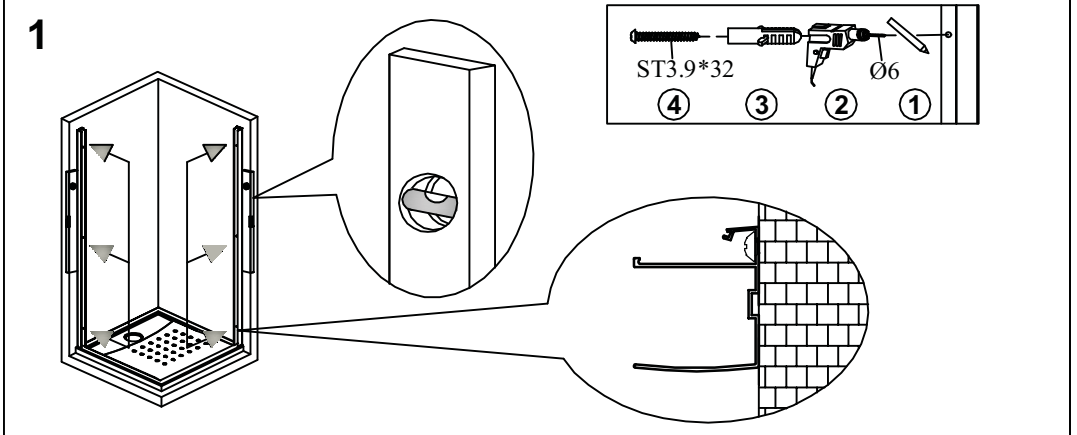
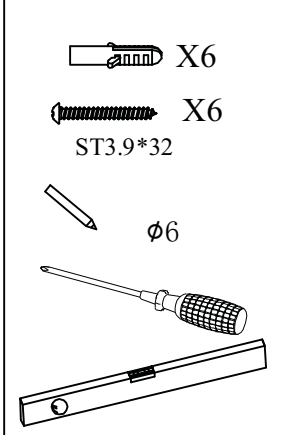


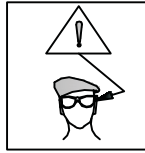
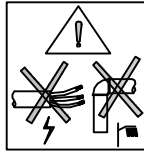
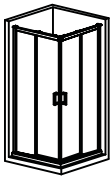
X6 Ø6	X4 ST3.9*12	X1 L 	X1 2.5#
X6 ST3.9*32	X1 	X1 R 	X1 4#
X4 ST3.9*45	X1 	X1 R 	X1 Ø2.5
X6 ST3.9*12	X2 	X1 L 	X2



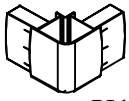


MK10S01





MK10S01



X1



X2



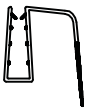
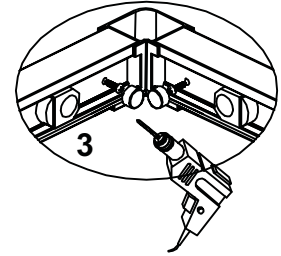
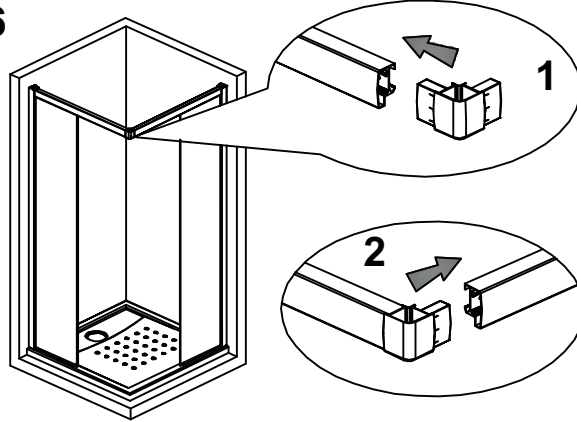
ST3.9*12 X2



φ2.5



6



X2

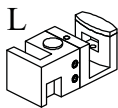
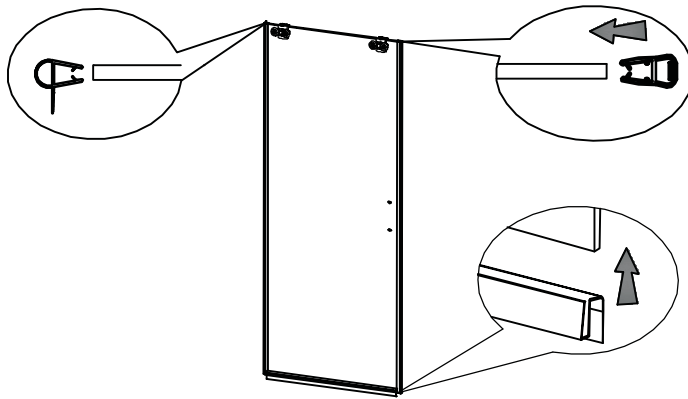


X2

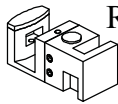


X2

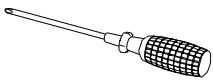
7



X1

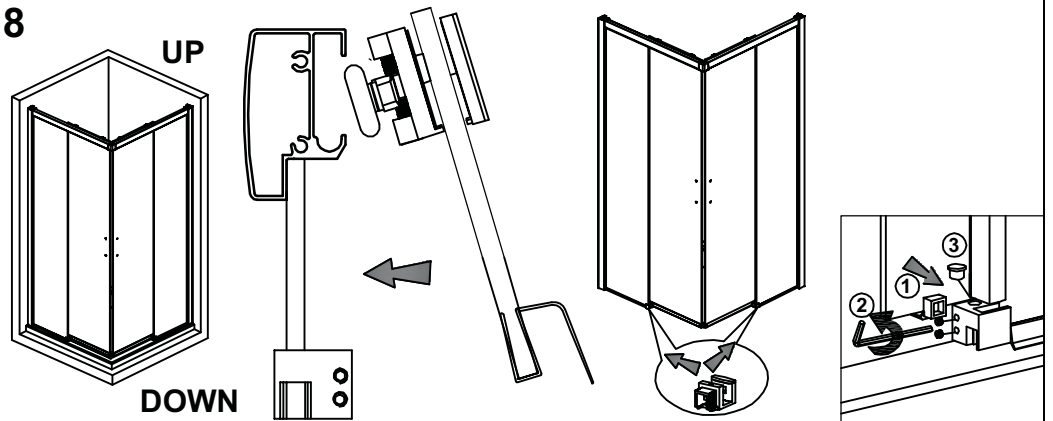


X1



2.5# / 4#

8

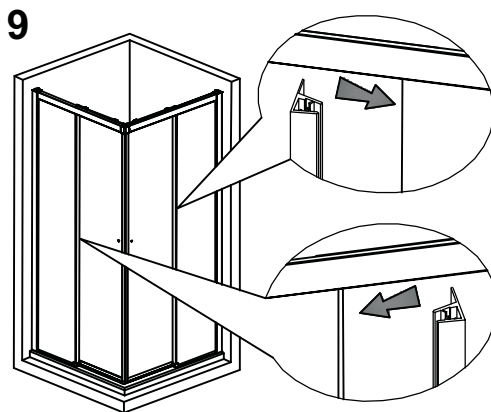


X2

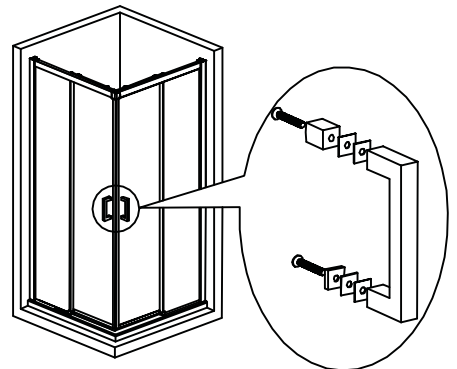


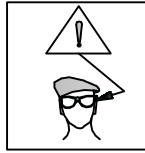
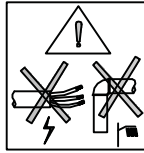
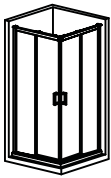
X2

9



10





MK10S01

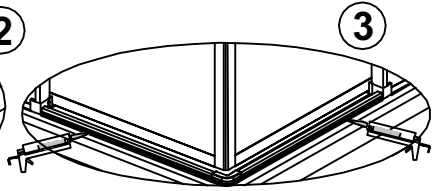
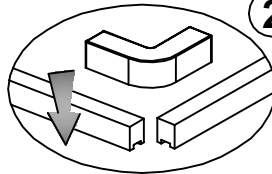
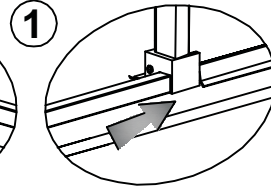
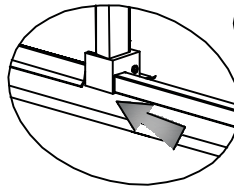
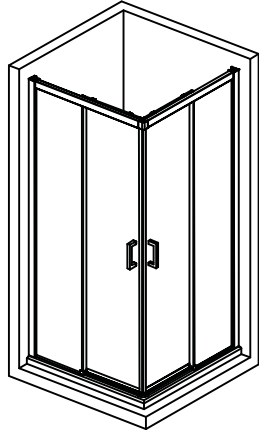


X2

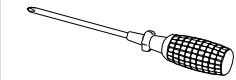
X1



11



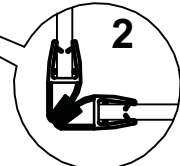
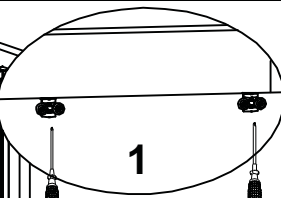
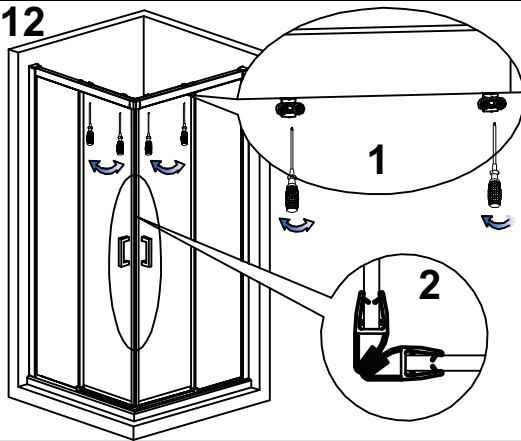
ST3.9*12 X6



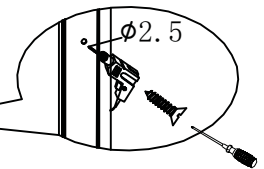
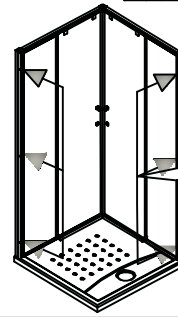
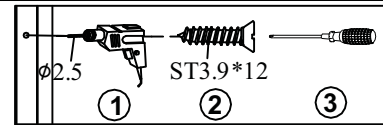
Ø2.5



12



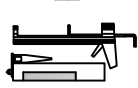
13



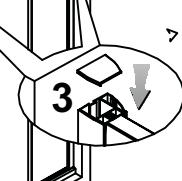
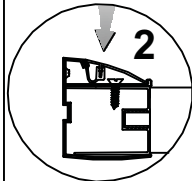
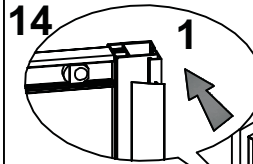
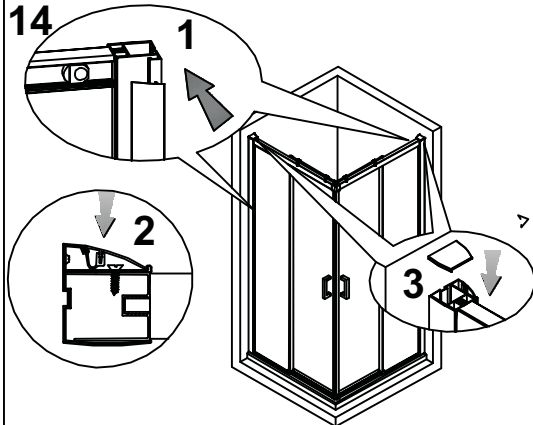
R x1



L x1 X2



14



15

