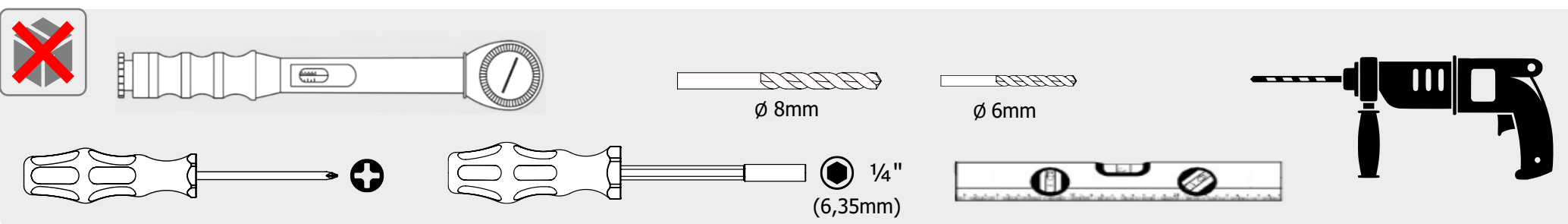
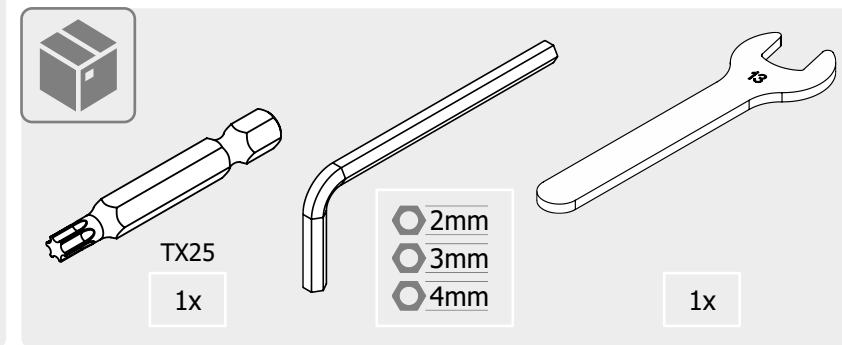
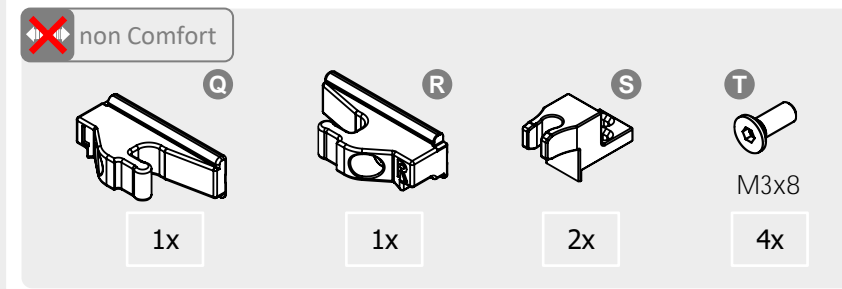
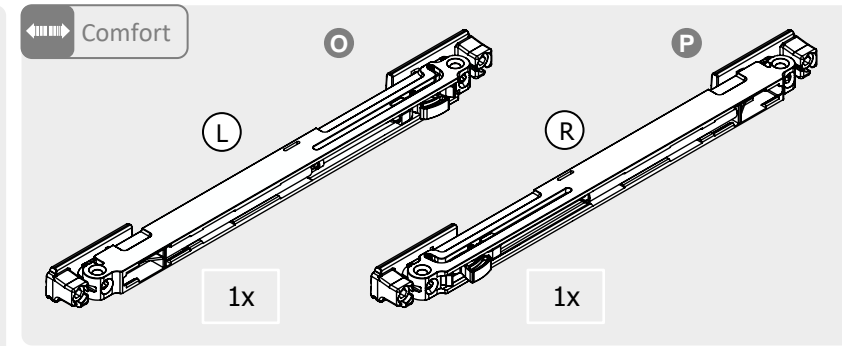
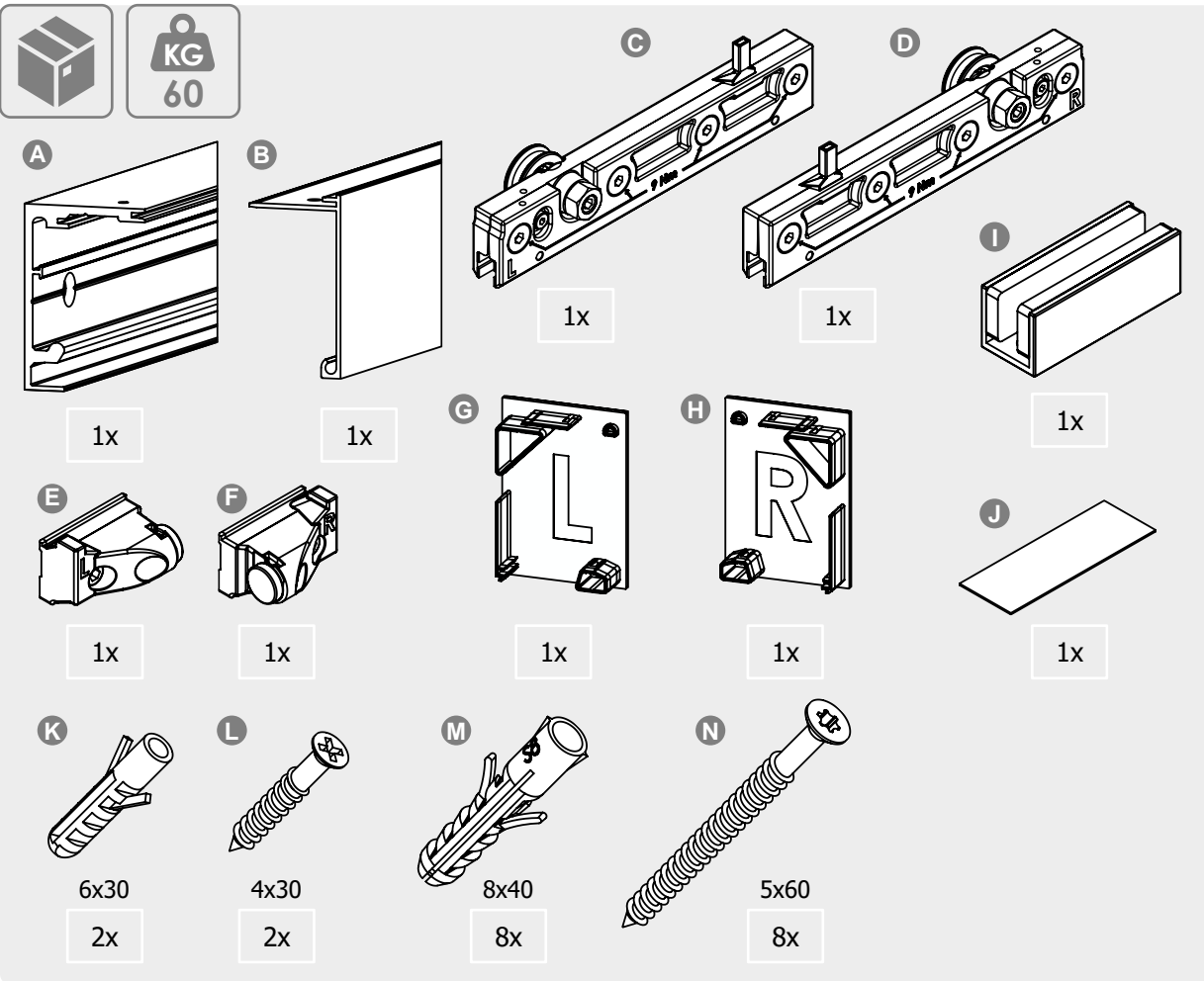



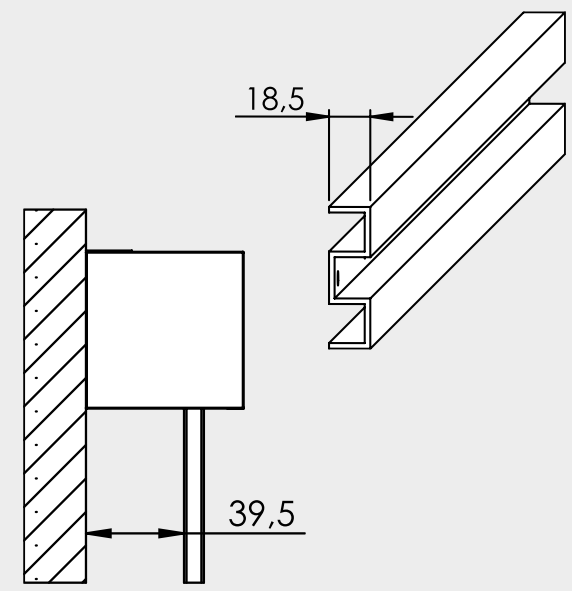
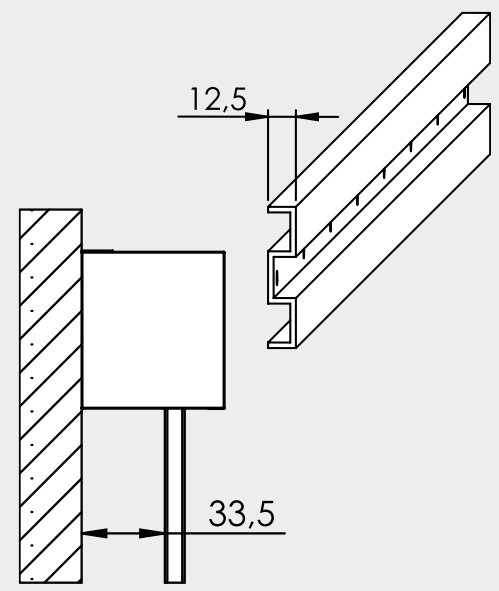
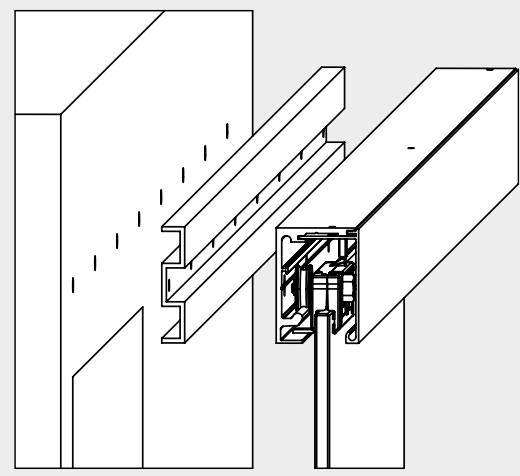
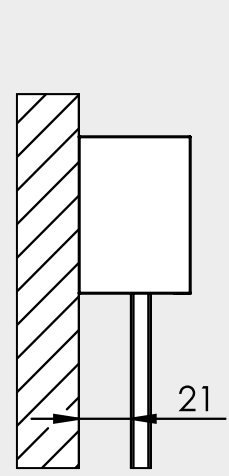
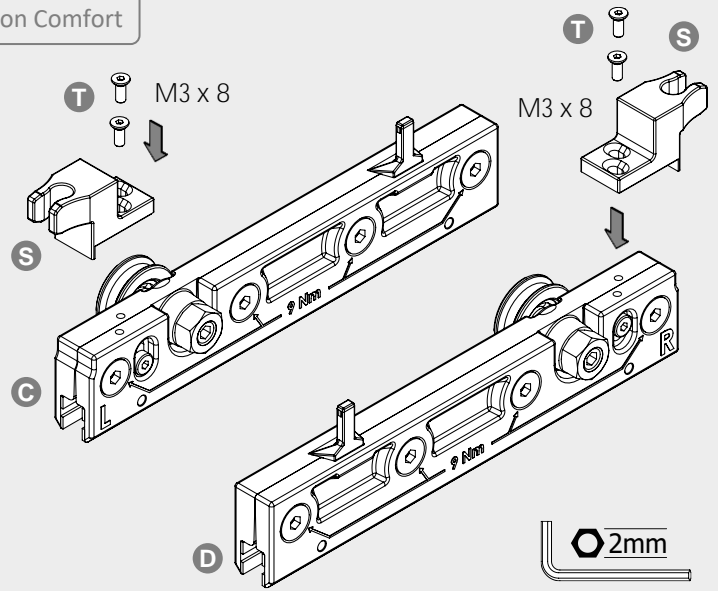
# SCHIEBETÜRSYSTEM X60 GLAS 1-FLG. + COMFORT / sliding door system X60 glass 1-leaf + comfort

M000122

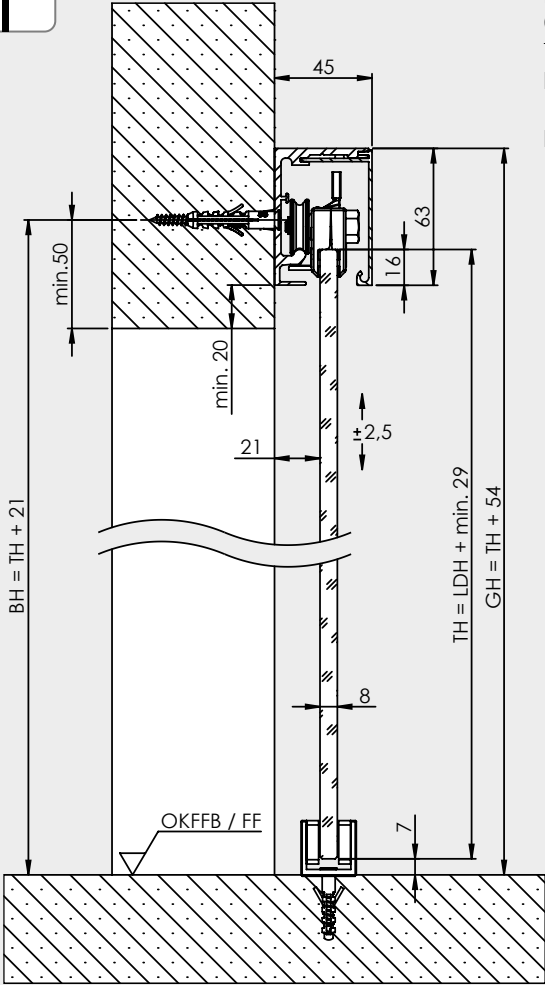


# SCHIEBETÜRSYSTEM X60 GLAS 1-FLG. + COMFORT / sliding door system X60 glass 1-leaf + comfort

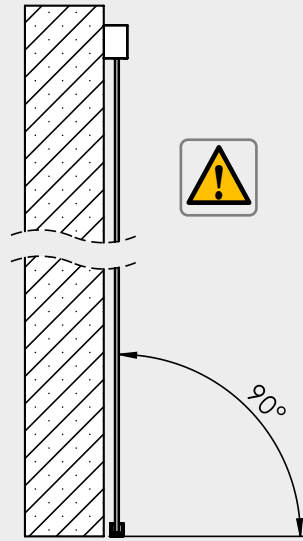
 non Comfort



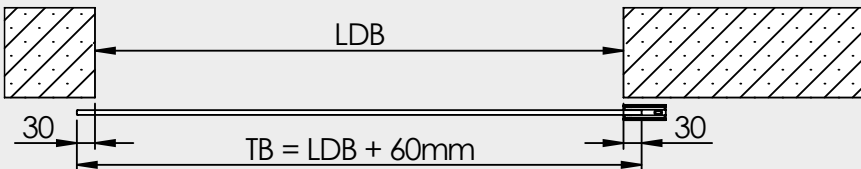
# SCHIEBETÜRSYSTEM X60 GLAS 1-FLG. + COMFORT / sliding door system X60 glass 1-leaf + comfort



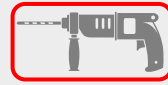
- BH = Bohrhöhe / drilling level
- GH = Gesamthöhe / total height
- TH = Türhöhe / door height
- LDH = Lichte Durchgangshöhe / pass line height
- LDB = Lichte Durchgangsbreite / pass line width



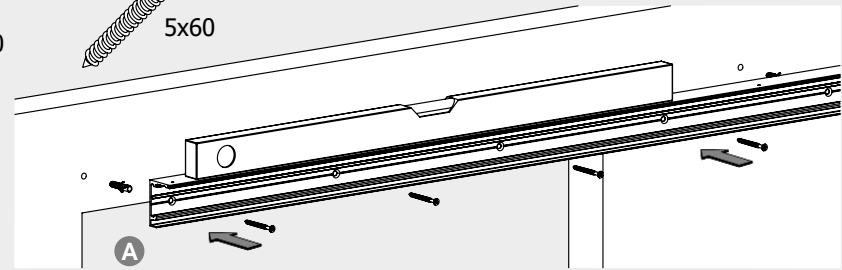
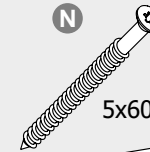
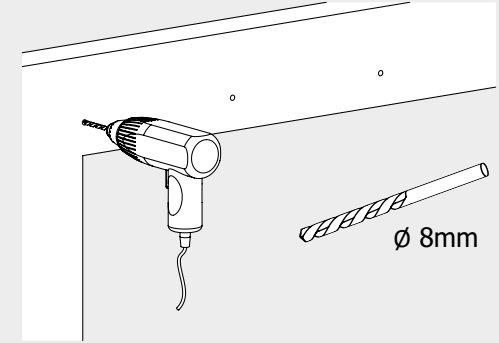
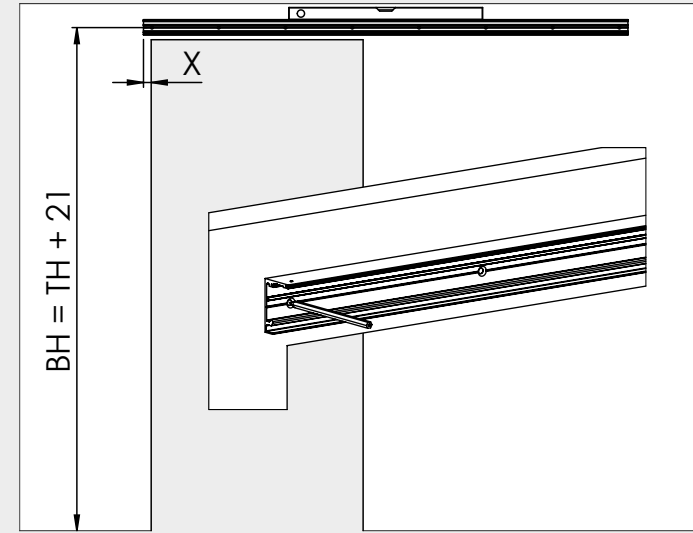
Glasüberstand: 30mm empfohlen  
Glass overlap: 30mm recommended



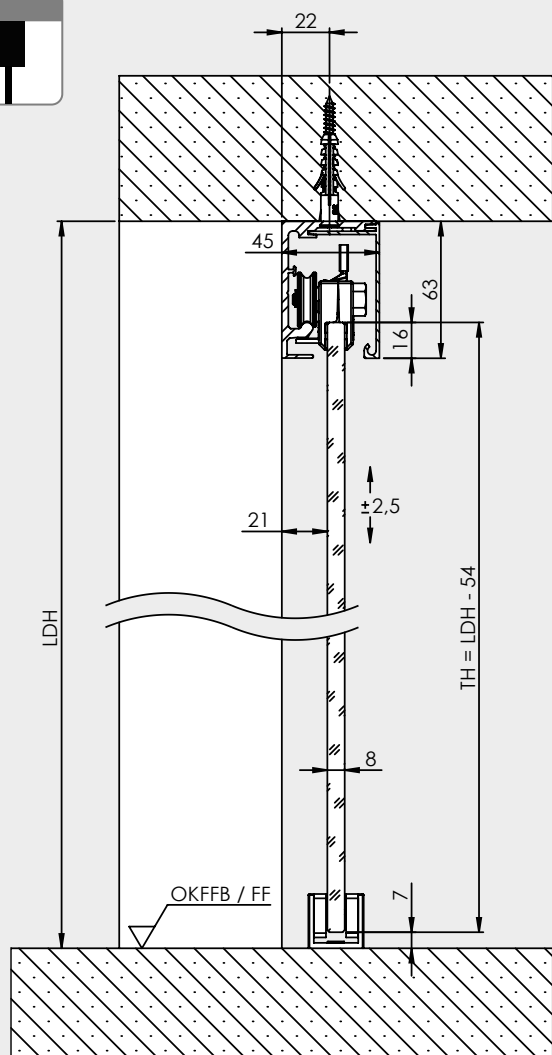
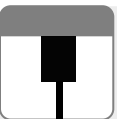
1



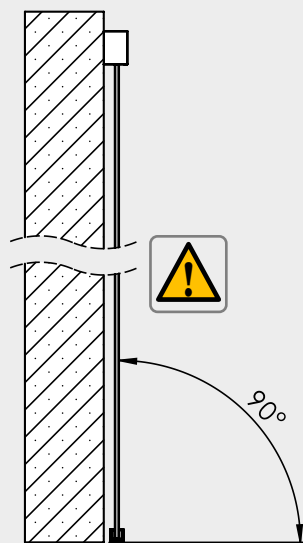
X = 32mm



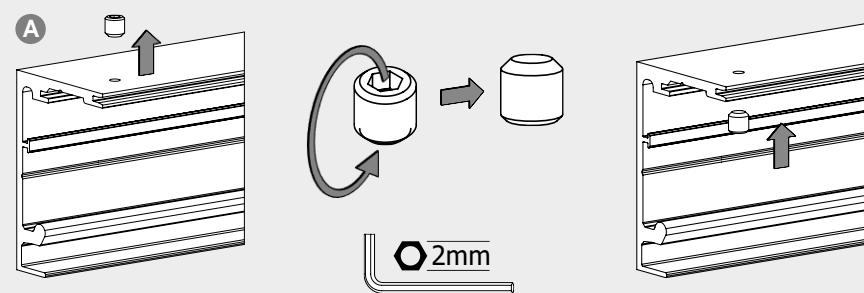
# SCHIEBETÜRSYSTEM X60 GLAS 1-FLG. + COMFORT / sliding door system X60 glass 1-leaf + comfort



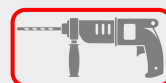
TH = Türhöhe / door height  
 LDH = Lichte Durchgangshöhe  
 pass line height  
 LDB = Lichte Durchgangsbreite  
 pass line width



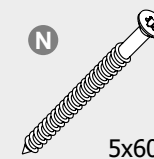
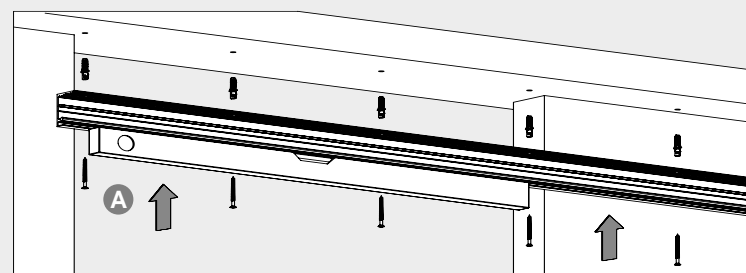
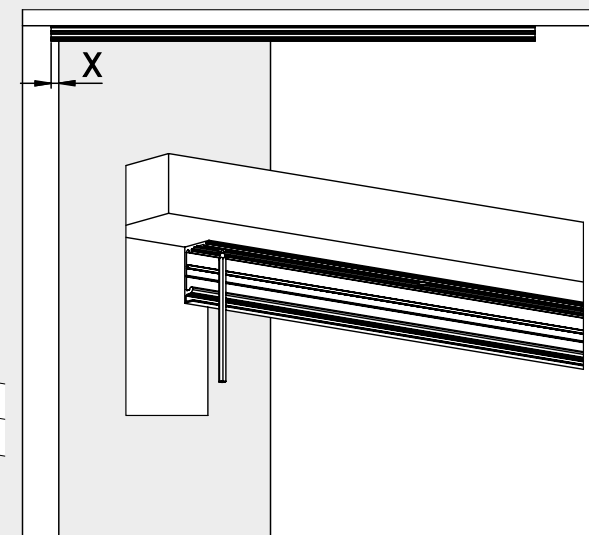
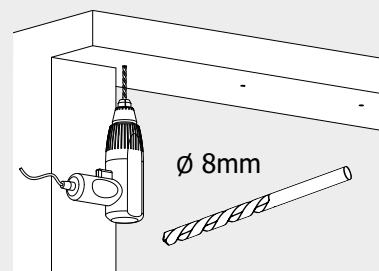
Glasüberstand: 30mm empfohlen  
 Glass overlap: 30mm recommended



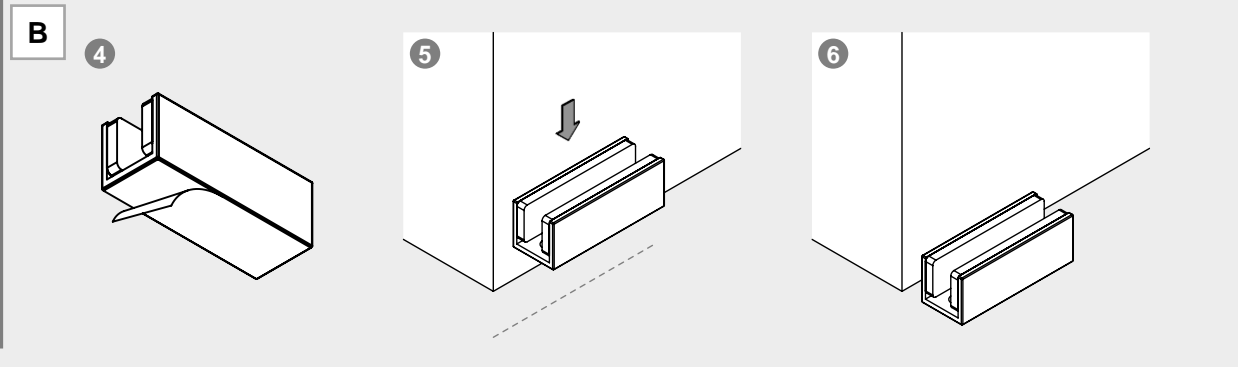
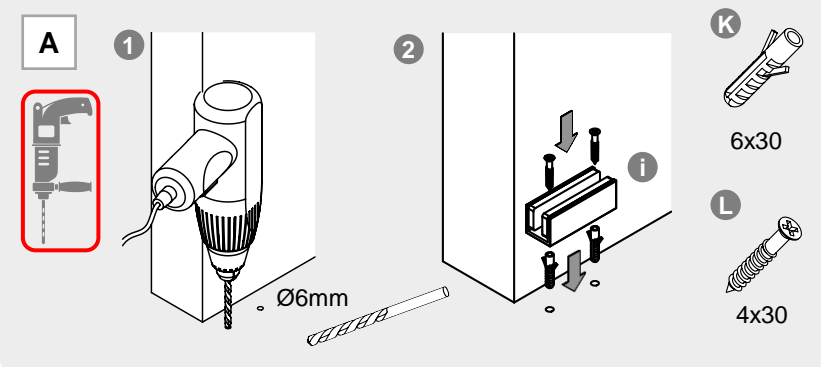
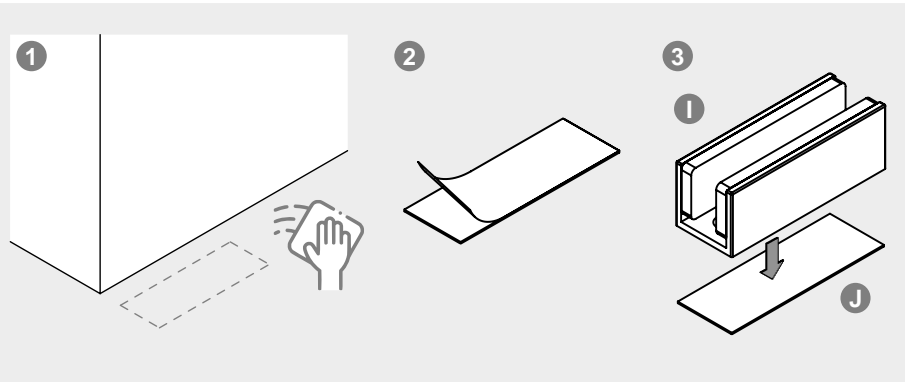
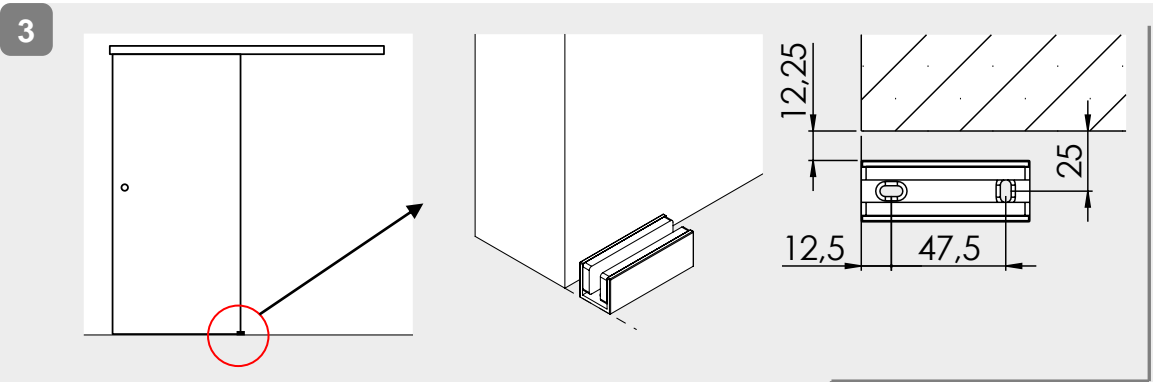
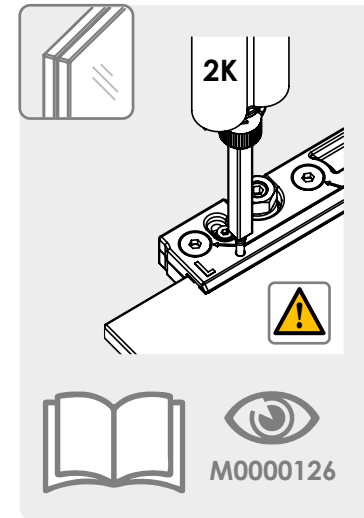
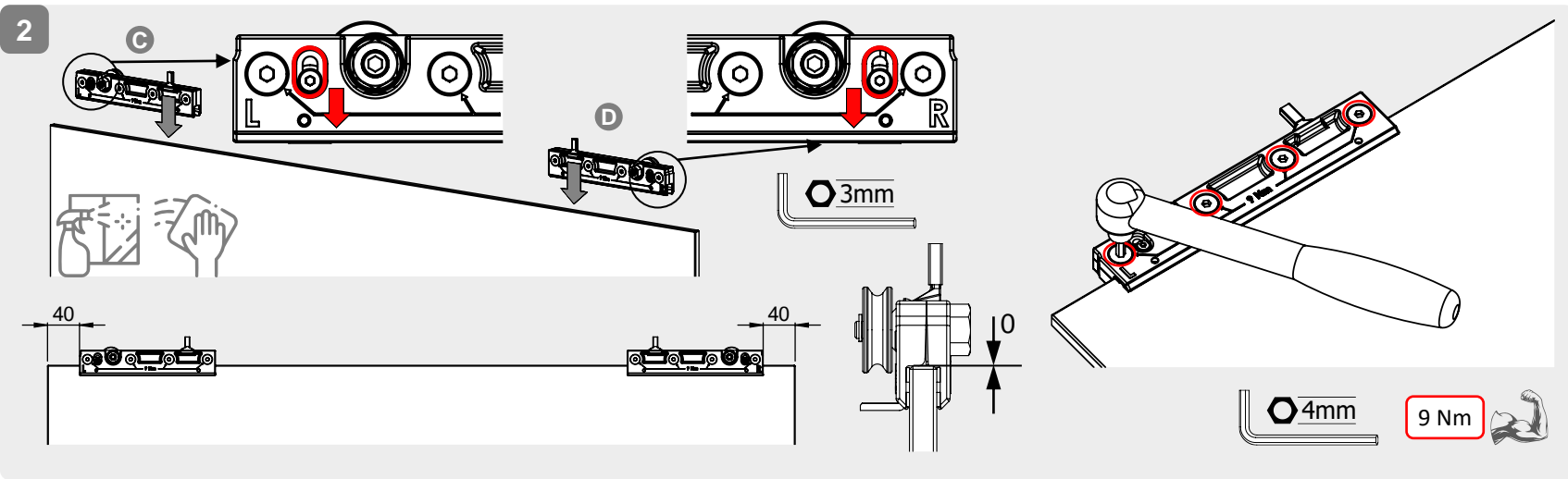
1



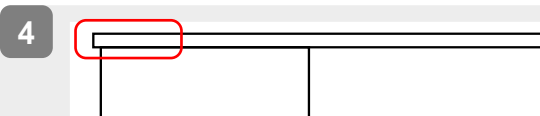
X = 32mm



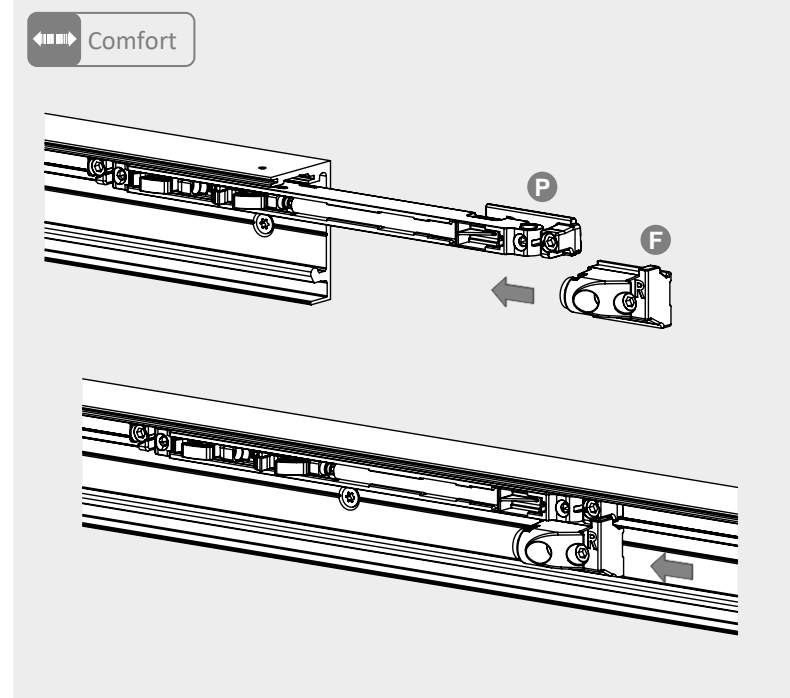
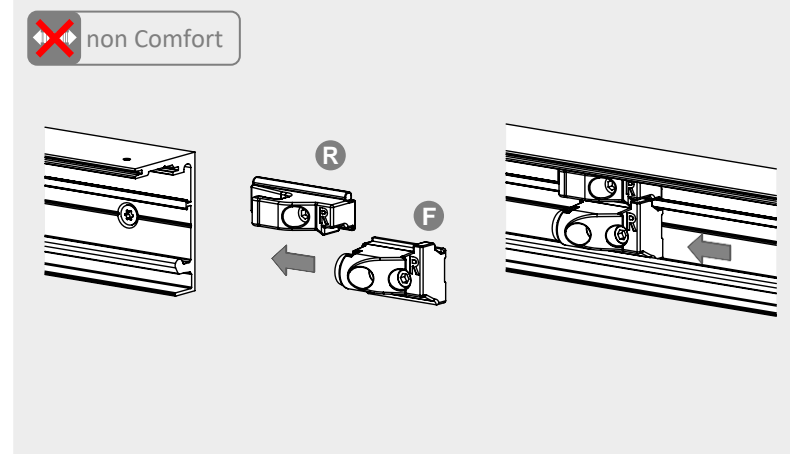
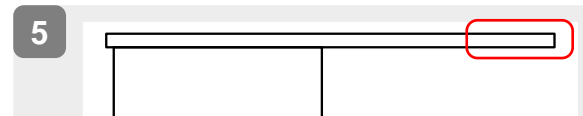
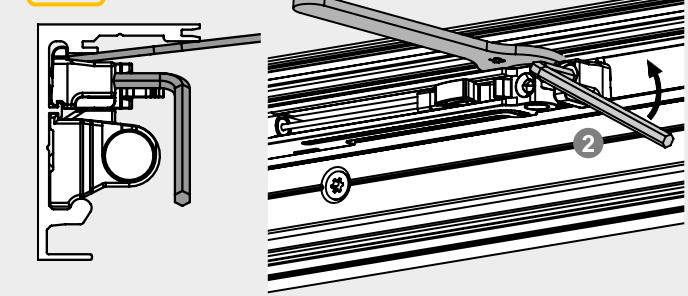
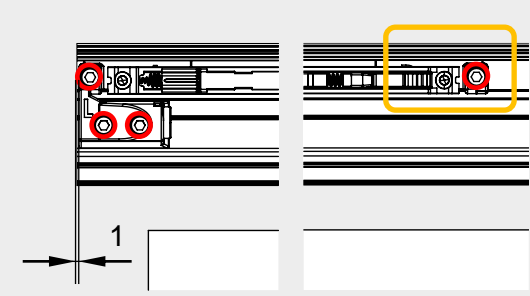
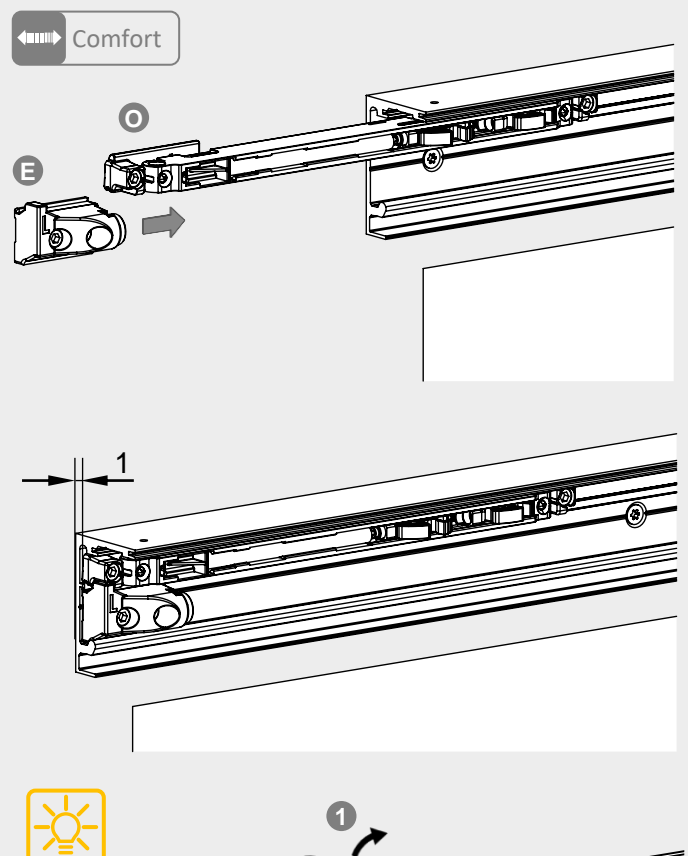
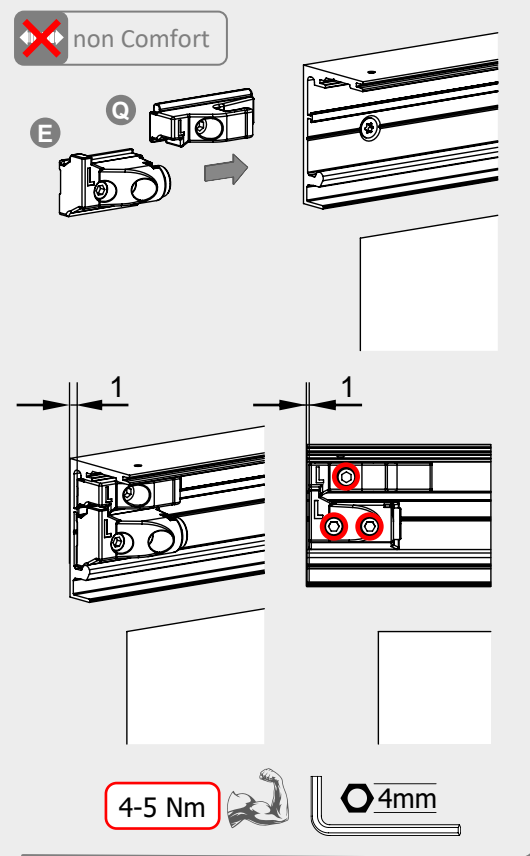
# SCHIEBETÜRSYSTEM X60 GLAS 1-FLG. + COMFORT / sliding door system X60 glass 1-leaf + comfort



# SCHIEBETÜRSYSTEM X60 GLAS 1-FLG. + COMFORT / sliding door system X60 glass 1-leaf + comfort



4mm 4-5 Nm





# SCHIEBETÜRSYSTEM X60 GLAS 1-FLG. + COMFORT / sliding door system X60 glass 1-leaf + comfort

