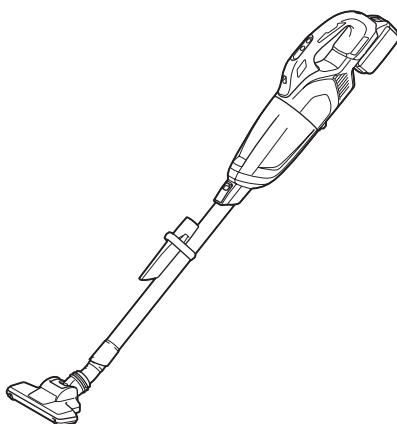




EN	Cordless Cleaner	INSTRUCTION MANUAL	8
FR	Aspirateur sans Fil	MANUEL D'INSTRUCTIONS	17
DE	Akku-Staubsauger	BETRIEBSANLEITUNG	27
IT	Aspiratore a batteria	ISTRUZIONI PER L'USO	37
NL	Accustofzuiger	GEBRUIKSAANWIJZING	47
ES	Aspiradora Inalámbrica	MANUAL DE INSTRUCCIONES	57
PT	Aspirador de pó a bateria	MANUAL DE INSTRUÇÕES	67
DA	Akku støvsuger	BRUGSANVISNING	77
EL	Φορητή σκούπα	ΕΓΧΕΙΡΙΔΙΟ ΟΔΗΓΙΩΝ	86
TR	Akülü Süpürge	KULLANMA KILAVUZU	96

DCL284F



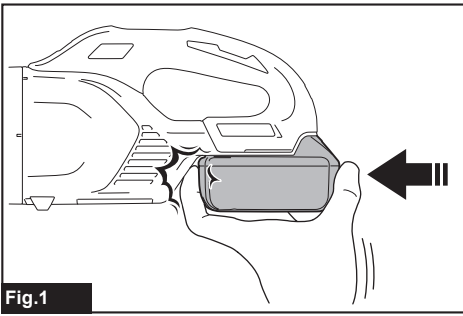


Fig.1

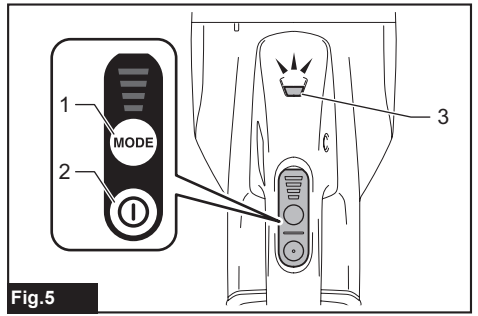


Fig.5

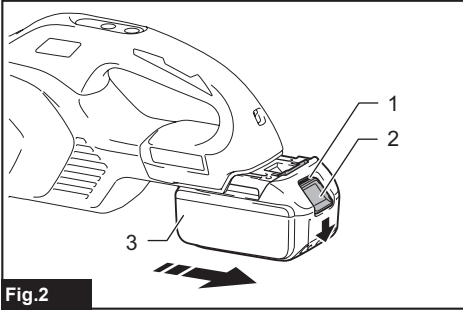


Fig.2

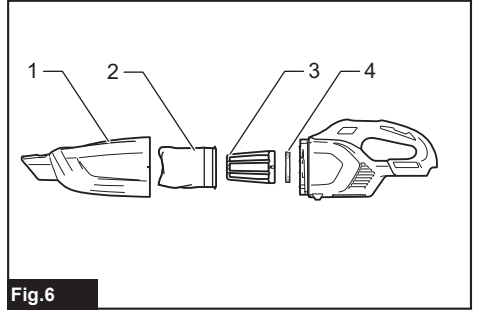


Fig.6

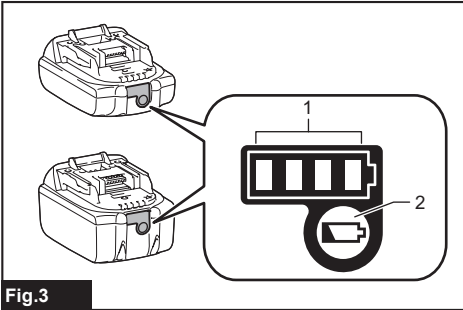


Fig.3

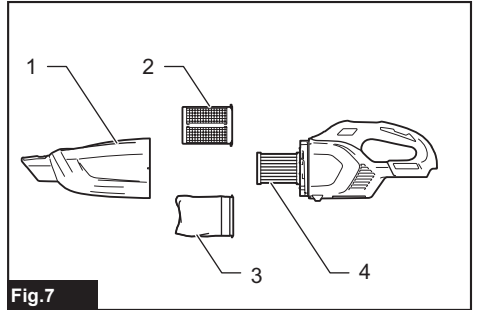


Fig.7

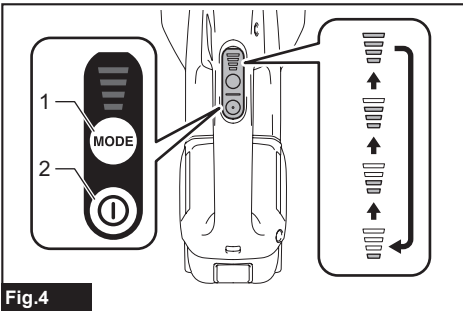


Fig.4

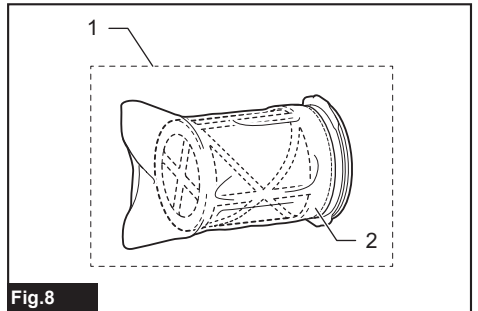


Fig.8

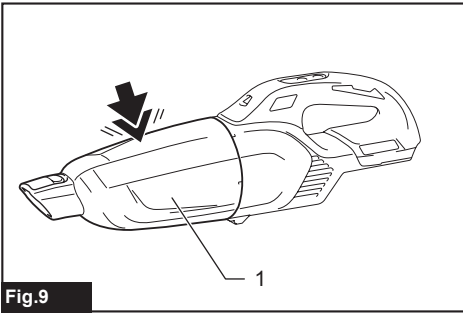


Fig.9

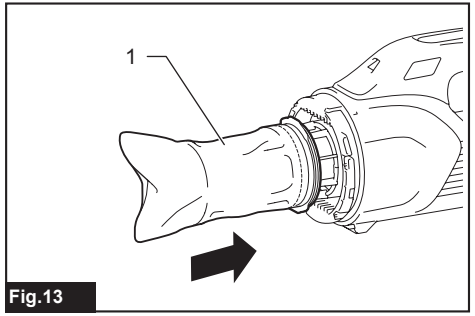


Fig.13

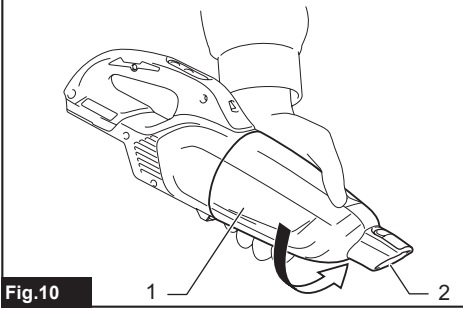


Fig.10

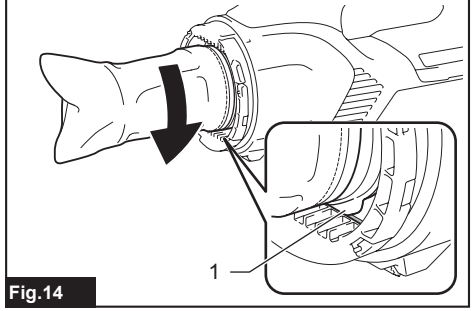


Fig.14

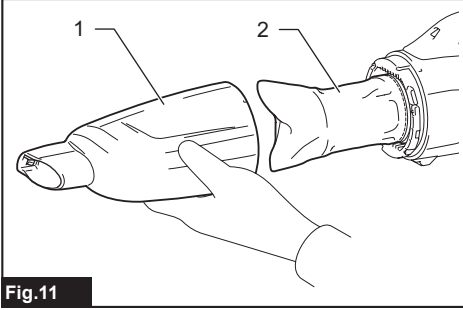


Fig.11

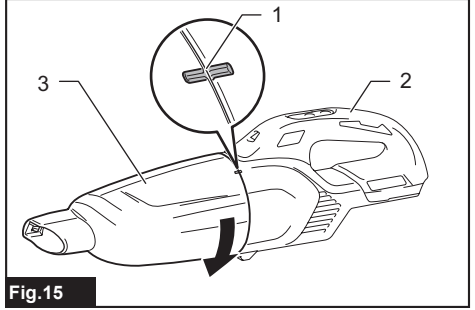


Fig.15

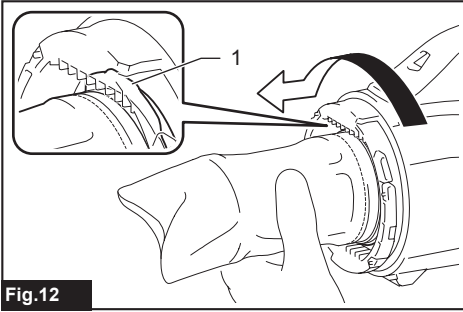


Fig.12

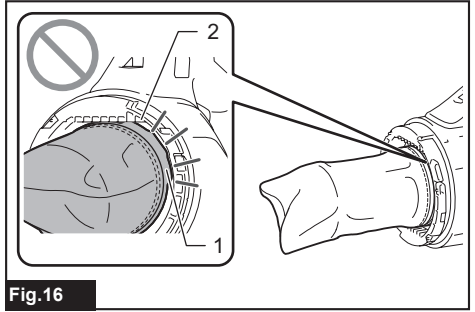


Fig.16

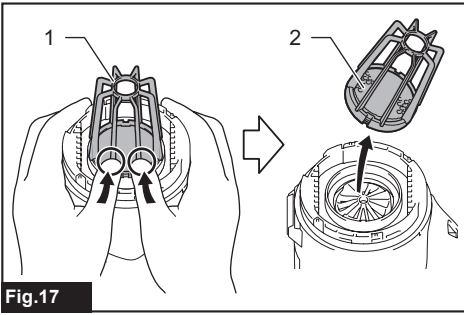


Fig.17

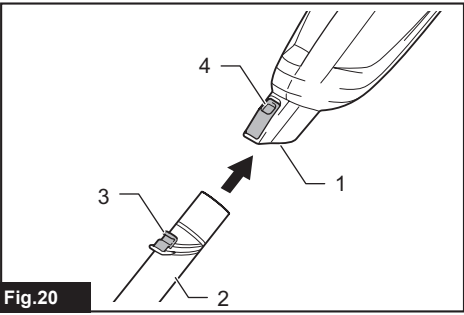


Fig.20

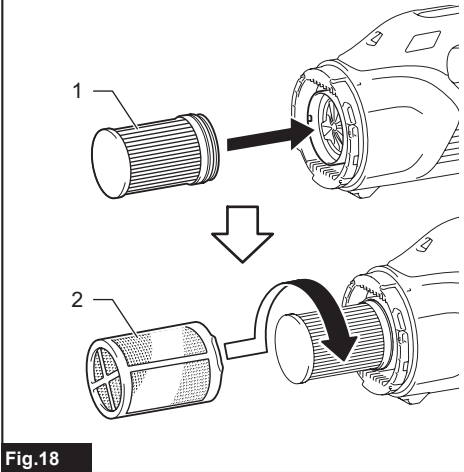


Fig.18

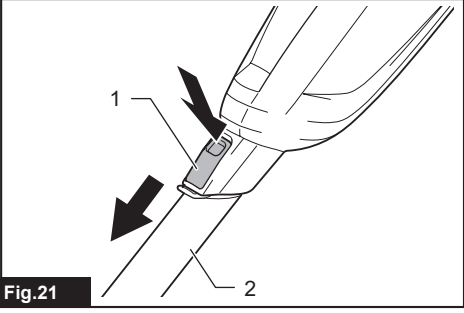


Fig.21

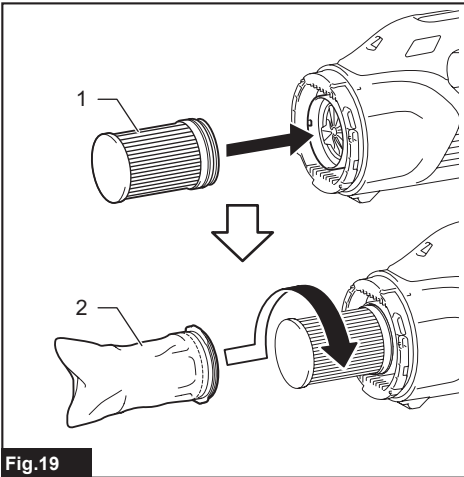


Fig.19

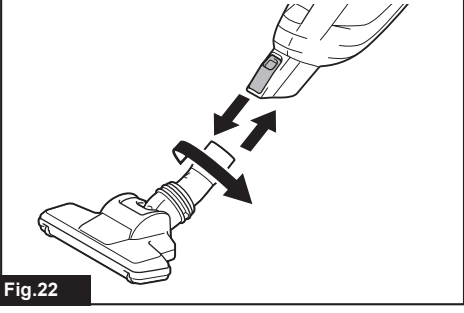


Fig.22

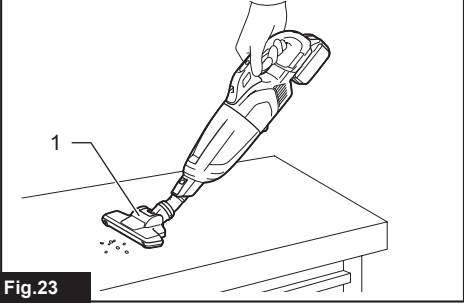


Fig.23

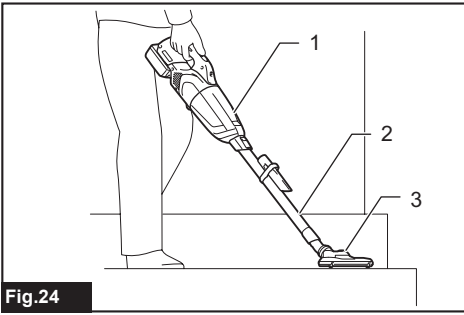


Fig.24

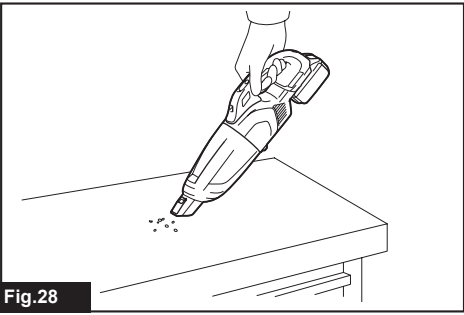


Fig.28

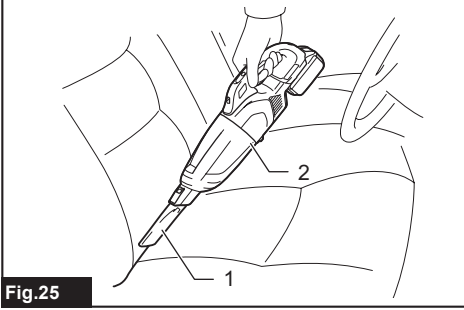


Fig.25

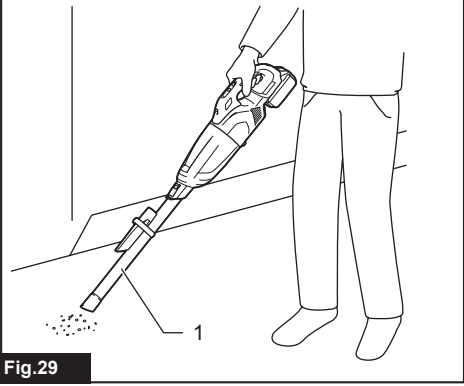


Fig.29

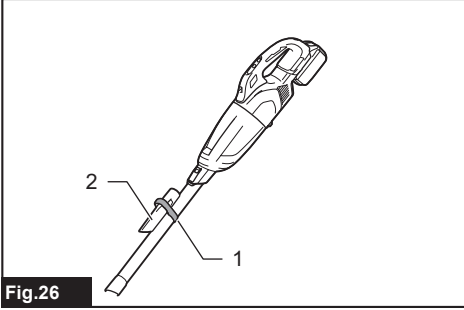


Fig.26

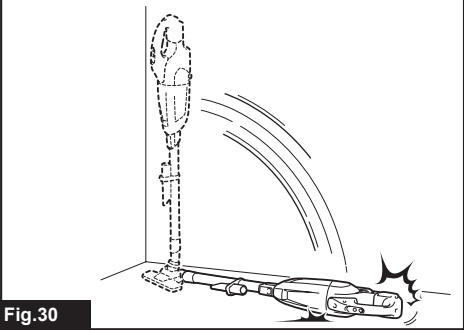


Fig.30

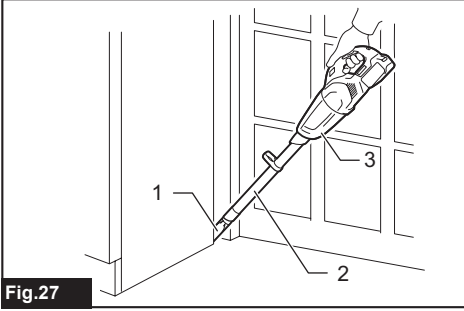


Fig.27

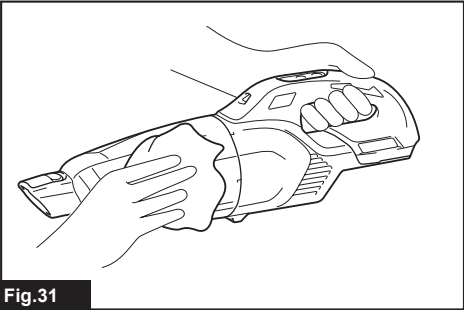


Fig.31

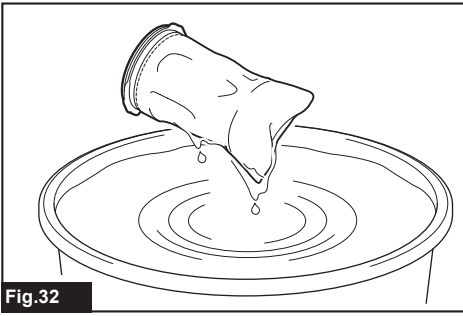


Fig.32

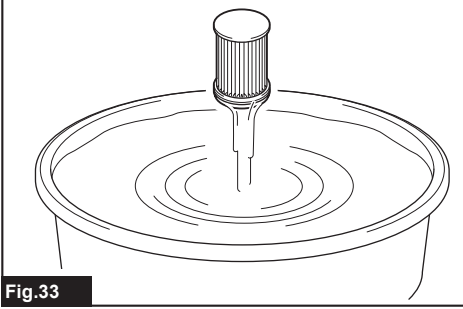


Fig.33

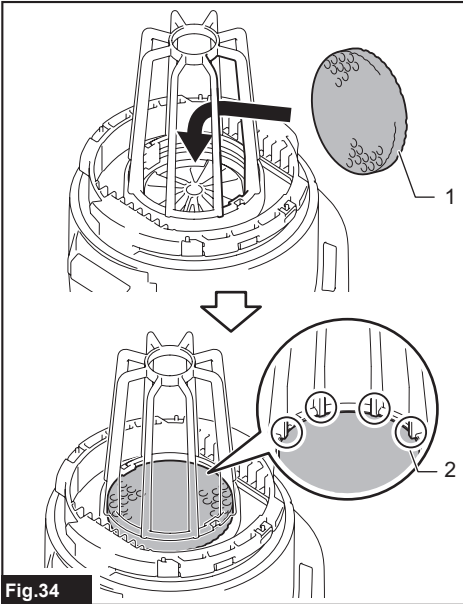


Fig.34

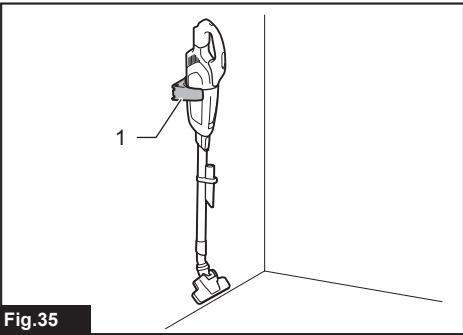


Fig.35

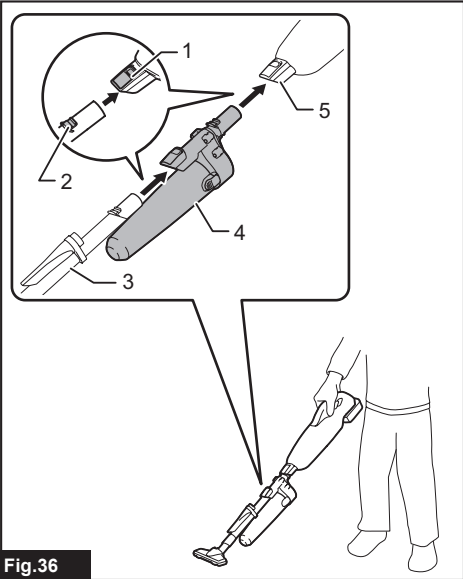


Fig.36

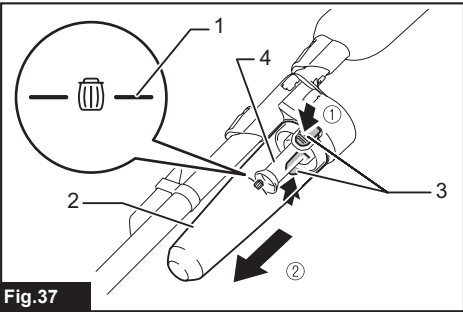


Fig.37

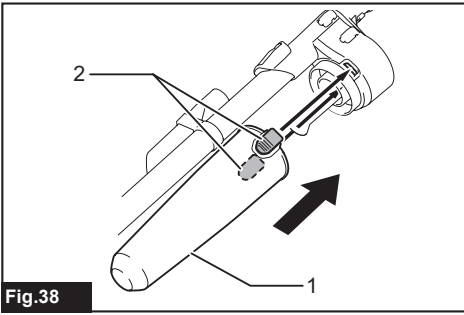


Fig.38

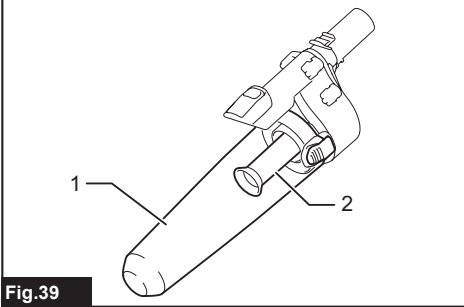


Fig.39

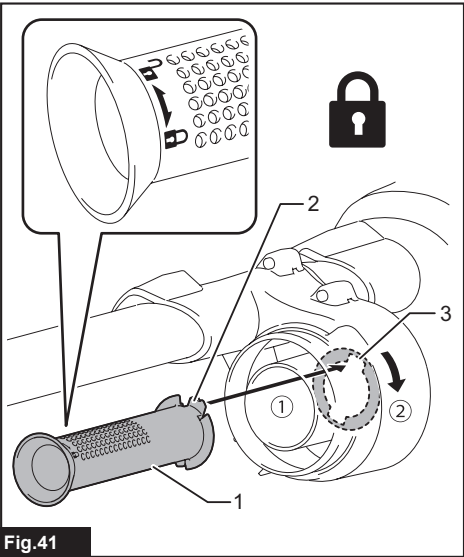


Fig.41

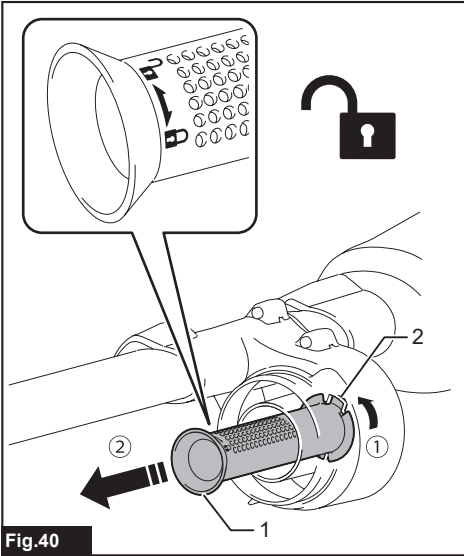


Fig.40

WARNING

- This appliance can be used by children aged from 8 years and above and persons with reduced physical, sensory or mental capabilities or lack of experience and knowledge if they have been given supervision or instruction concerning use of the appliance in a safe way and understand the hazards involved.
- Children shall not play with the appliance. Cleaning and user maintenance shall not be made by children without supervision.
- See the chapter "SPECIFICATIONS" for the type reference of the battery.
- See the section "Installing or removing battery cartridge" for how to remove or install the battery.
- When disposing the battery cartridge, remove it from the tool and dispose of it in a safe place. Follow your local regulations relating to disposal of battery.
- If the tool is not used for a long period of time, the battery must be removed from the tool.
- Do not short the battery cartridge.
- See the chapter "MAINTENANCE" for the appropriate details of precautions during user maintenance.

SPECIFICATIONS

Model:		DCL284F
Capacity		730 mL
Continuous use (with battery BL1830B)	1 (Quiet mode)	Approx. 38 min
	2 (Normal speed mode)	Approx. 21 min
	3 (High speed mode)	Approx. 15 min
	4 (Max speed mode)	Approx. 8 min
Overall length (with pipe, nozzle, and battery BL1830B)		1,066 mm
Rated voltage		D.C. 18 V
Net weight		1.3 - 1.7 kg

- Due to our continuing program of research and development, the specifications herein are subject to change without notice.
- Specifications may differ from country to country.
- The weight does not include accessories but battery cartridge(s). The lightest and heaviest combination weight of the appliance and battery cartridge(s) are shown in the table.

Applicable battery cartridge and charger

Battery cartridge	BL1815N / BL1820B / BL1830B / BL1840B / BL1850B / BL1860B
Charger	DC18RC / DC18RD / DC18RE / DC18SD / DC18SE / DC18SF / DC18SH / DC18WC

- Some of the battery cartridges and chargers listed above may not be available depending on your region of residence.

⚠ WARNING: Only use the battery cartridges and chargers listed above. Use of any other battery cartridges and chargers may cause injury and/or fire.

Symbols

The followings show the symbols which may be used for the equipment. Be sure that you understand their meaning before use.



Read the instruction manual.



A representative battery applicable to this product.



Ni-MH
Li-Ion

Only for EU countries
Due to the presence of hazardous components in the equipment, waste electrical and electronic equipment, accumulators and batteries may have a negative impact on the environment and human health. Do not dispose of electrical and electronic appliances or batteries with household waste!
In accordance with the European Directive on waste electrical and electronic equipment and on accumulators and batteries and waste accumulators and batteries, as well as their adaptation to national law, waste electrical equipment, batteries and accumulators should be stored separately and delivered to a separate collection point for municipal waste, operating in accordance with the regulations on environmental protection.
This is indicated by the symbol of the crossed-out wheeled bin placed on the equipment.

Intended use

The tool is intended for collecting dry dust.

SAFETY WARNINGS

Cordless cleaner safety warnings

⚠ WARNING: IMPORTANT! READ CAREFULLY all safety warnings and all instructions BEFORE USE. Failure to follow the warnings and instructions may result in electric shock, fire and/or serious injury.

1. Do not expose to rain. Store indoors.
2. Do not allow to be used as a toy. Close attention is necessary when used by or near children.
3. Use only as described in this manual. Use only manufacturer's recommended attachments.
4. Do not use with damaged battery. If appliance is not working as it should, has been dropped, damaged, left outdoors, or dropped into water, return it to a service center.
5. Do not handle appliance with wet hands.
6. Do not put any object into openings. Do not use with any opening blocked; keep free of dust, lint, hair, and anything that may reduce air flow.
7. Keep hair, loose clothing, fingers, and all parts of body away from openings and moving parts.

8. Turn off all controls before removing the battery.
9. Use extra care when cleaning on stairs.
10. Do not use to pick up flammable or combustible liquids, such as gasoline, or use in areas where they may be present.
11. Use only the charger supplied by the manufacturer to recharge.
12. Do not pick up anything that is burning or smoking, such as cigarettes, matches, or hot ashes.
13. Do not use without dust bag and/or filters in place.
14. Do not charge the battery outdoors.
15. Recharge only with the charger specified by the manufacturer. A charger that is suitable for one type of battery pack may create a risk of fire when used with another battery pack.
16. Use appliances only with specifically designated battery packs. Use of any other battery packs may create a risk of injury and fire.
17. When (the) battery pack is not in use, keep it away from other metal objects, like paper clips, coins, keys, nails, screws or other small metal objects, that can make a connection from one terminal to another.
18. Under abusive conditions, liquid may be ejected from the battery; avoid contact. If contact accidentally occurs, flush with water.
19. Do not use a battery pack or appliance that is damaged or modified. Damaged or modified batteries may exhibit unpredictable behaviour resulting in fire, explosion or risk of injury.
20. Do not expose a battery pack or appliance to fire or excessive temperature. Exposure to fire or temperature above 130 °C may cause explosion.
21. Follow all charging instructions and do not charge the battery pack or appliance outside the temperature range specified in the instructions. Charging improperly or at temperatures outside the specified range may damage the battery and increase the risk of fire.

SAVE THESE INSTRUCTIONS.

ADDITIONAL SAFETY RULES

This appliance is intended for household use.

1. Read this instruction manual and the charger instruction manual carefully before use.
2. Do not pick up the following materials:
 - Hot substances that are burning or smoking (cigarettes, matches, incense sticks, candles, hot ashes), sparks and metal dust generated by cutting or grinding metal, etc.
 - Flammable liquid (kerosene, gasoline, solvents such as benzine, thinner, etc.)
 - Flammable material (toner, paint, spray, etc.)
 - Explosive or pyrophoric substances (nitroglycerin, aluminum, magnesium, titanium, zinc, red phosphorus, yellow phosphorus, celluloid, etc. and their dust, gas or steam)

- Liquid, oil, wet dirt or damp garbage, including vomit and excreta
- Hard pieces with sharp edges (wood chips, metals, stones, glasses, nails, pins, razors or cutlery)
- Solidifying and conductive fine powder (metal or carbon powder)
- Foam like carpet cleaning agent, etc. (they may cause explosion or fire)
- Large amount of powder (flour, fire extinguisher powder, etc.)
- Substances that cause toxic symptoms
- Aggressive chemicals (acid, alkali, etc.)
- Fine binding powder such as cement
- Fine particle like concrete dust
- Desiccants
- Asbestos
- Pesticides

Such action may cause fire, injury and/or property damage.

To reduce your exposure to these chemicals, always wear approved respiratory protection such as dust masks that are specially designed to filter out microscopic particles. Direct the exhaust air away from your face and body.

3. **Stop operation immediately if you notice anything abnormal.**
4. **If you drop or strike the cleaner, check it carefully for cracks or damage before operation.**
5. **Do not bring close to stoves or other heat sources.**
6. **Do not block the intake hole or vent holes.**

SAVE THESE INSTRUCTIONS.

Important safety instructions for battery cartridge

1. **Before using battery cartridge, read all instructions and cautionary markings on (1) battery charger, (2) battery, and (3) product using battery.**
2. **Do not disassemble or tamper with the battery cartridge.** It may result in a fire, excessive heat, or explosion.
3. **If operating time has become excessively shorter, stop operating immediately.** It may result in a risk of overheating, possible burns and even an explosion.
4. **If electrolyte gets into your eyes, rinse them out with clear water and seek medical attention right away.** It may result in loss of your eyesight.
5. **Do not short the battery cartridge:**
 - (1) **Do not touch the terminals with any conductive material.**
 - (2) **Avoid storing battery cartridge in a container with other metal objects such as nails, coins, etc.**
 - (3) **Do not expose battery cartridge to water or rain.**

A battery short can cause a large current flow, overheating, possible burns and even a breakdown.

6. **Do not store and use the tool and battery cartridge in locations where the temperature may reach or exceed 50 °C (122 °F).**
7. **Do not incinerate the battery cartridge even if it is severely damaged or is completely worn out.** The battery cartridge can explode in a fire.
8. **Do not nail, cut, crush, throw, drop the battery cartridge, or hit against a hard object to the battery cartridge.** Such conduct may result in a fire, excessive heat, or explosion.
9. **Do not use a damaged battery.**
10. **The contained lithium-ion batteries are subject to the Dangerous Goods Legislation requirements.**
For commercial transports e.g. by third parties, forwarding agents, special requirement on packaging and labeling must be observed.
For preparation of the item being shipped, consulting an expert for hazardous material is required. Please also observe possibly more detailed national regulations.
Tape or mask off open contacts and pack up the battery in such a manner that it cannot move around in the packaging.
11. **When disposing of the battery cartridge, remove it from the tool and dispose of it in a safe place. Follow your local regulations relating to disposal of battery.**
12. **Use the batteries only with the products specified by Makita.** Installing the batteries to non-compliant products may result in a fire, excessive heat, explosion, or leak of electrolyte.
13. **If the tool is not used for a long period of time, the battery must be removed from the tool.**
14. **During and after use, the battery cartridge may take on heat which can cause burns or low temperature burns. Pay attention to the handling of hot battery cartridges.**
15. **Do not touch the terminal of the tool immediately after use as it may get hot enough to cause burns.**
16. **Do not allow chips, dust, or soil stuck into the terminals, holes, and grooves of the battery cartridge.** It may cause heating, catching fire, burst and malfunction of the tool or battery cartridge, resulting in burns or personal injury.
17. **Unless the tool supports the use near high-voltage electrical power lines, do not use the battery cartridge near high-voltage electrical power lines.** It may result in a malfunction or breakdown of the tool or battery cartridge.
18. **Keep the battery away from children.**

SAVE THESE INSTRUCTIONS.

⚠ CAUTION: Only use genuine Makita batteries. Use of non-genuine Makita batteries, or batteries that have been altered, may result in the battery bursting causing fires, personal injury and damage. It will also void the Makita warranty for the Makita tool and charger.

Tips for maintaining maximum battery life

1. Charge the battery cartridge before completely discharged. Always stop tool operation and charge the battery cartridge when you notice less tool power.
2. Never recharge a fully charged battery cartridge. Overcharging shortens the battery service life.
3. Charge the battery cartridge with room temperature at 10 °C - 40 °C (50 °F - 104 °F). Let a hot battery cartridge cool down before charging it.
4. When not using the battery cartridge, remove it from the tool or the charger.
5. Charge the battery cartridge if you do not use it for a long period (more than six months).

FUNCTIONAL DESCRIPTION

CAUTION: Always be sure that the tool is switched off and the battery cartridge is removed before adjusting or checking function on the tool.

CAUTION: Take care not to trap finger(s) between cleaner and battery as shown in diagram when loading battery. Trapping finger(s) may cause injury.

► Fig.1

Installing or removing battery cartridge

CAUTION: Always switch off the tool before installing or removing of the battery cartridge.

CAUTION: Hold the tool and the battery cartridge firmly when installing or removing battery cartridge. Failure to hold the tool and the battery cartridge firmly may cause them to slip off your hands and result in damage to the tool and battery cartridge and a personal injury.

To remove the battery cartridge, slide it from the tool while sliding the button on the front of the cartridge.

► Fig.2: 1. Red indicator 2. Button 3. Battery cartridge

To install the battery cartridge, align the tongue on the battery cartridge with the groove in the housing and slip it into place. Insert it all the way until it locks in place with a little click. If you can see the red indicator as shown in the figure, it is not locked completely.

CAUTION: Always install the battery cartridge fully until the red indicator cannot be seen. If not, it may accidentally fall out of the tool, causing injury to you or someone around you.

CAUTION: Do not install the battery cartridge forcibly. If the cartridge does not slide in easily, it is not being inserted correctly.

Tool / battery protection system

The tool is equipped with tool/battery protection system. This system automatically cuts off power to the motor to extend tool and battery life. The tool will automatically stop during operation if the tool or battery is placed under one of the following conditions.

Overloaded:

The tool/battery is operated in a manner that causes it to draw an abnormally high current.

In this situation, turn the tool off and stop the application that caused the tool to become overloaded. Then turn the tool on to restart.

Overheated:

The tool/battery is overheated. In this situation, let the tool/battery cool before turning the tool on again.

Low battery voltage:

The remaining battery capacity is too low and the tool will not operate. In this situation, remove and recharge the battery.

Protections against other causes:

Protection system is also designed for other causes that could damage the tool and allows the tool to stop automatically. Take all the following steps to clear the causes, when the tool has been brought to a temporary halt or stop in operation.

1. Turn the tool off, and then turn it on again to restart.
2. Charge the battery(ies) or replace it/them with recharged battery(ies).
3. Let the tool and battery(ies) cool down.

If no improvement can be found by restoring protection system, then contact your local Makita Service Center.

Indicating the remaining battery capacity

Only for battery cartridges with the indicator

► Fig.3: 1. Indicator lamps 2. Check button

Press the check button on the battery cartridge to indicate the remaining battery capacity. The indicator lamps light up for a few seconds.

Indicator lamps			Remaining capacity
Lighted	Off	Blinking	
■ ■ ■ ■	□	◐	75% to 100%
■ ■ ■	□	□	50% to 75%
■ ■	□	□	25% to 50%
■	□	□	0% to 25%
◐	□	□	Charge the battery.
■ ■ □ □	□	□	The battery may have malfunctioned.
□ □ ■ ■	□	□	

NOTE: Depending on the conditions of use and the ambient temperature, the indication may differ slightly from the actual capacity.



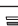

NOTE: The first (far left) indicator lamp will blink when the battery protection system works.

Switch action

► **Fig.4:** 1. Suction power change button 2. ON/OFF button

To start the cleaner, simply push the ON/OFF button. To switch off, push the ON/OFF button again.

You can change the suction power of the cleaner in four steps by pushing the suction power change button. Each push on this button repeats the Quiet/Normal/High/Max mode in a cycle.

Level	Indication	Mode
1		Quiet mode
2		Normal speed mode
3		High speed mode
4		Max speed mode

NOTE: You can change the suction power before turning on the cleaner.

NOTE: The cleaner starts the operation with the same suction power as the last operation.

Lighting up the lamp

CAUTION: Do not look in the light or see the source of light directly.

To turn on the lamp, push the suction power change button. The lamp goes off in approximately 10 seconds. While the cleaner is running, the lamp turns on. The lamp goes out approximately 10 seconds after stopping operation.

NOTE: When the remaining battery capacity gets low, the lamp starts blinking. The timing, at which the lamp starts blinking depends on the temperature at work place and the battery cartridge conditions.

► **Fig.5:** 1. Suction power change button 2. ON/OFF button 3. Lamp

ASSEMBLY

CAUTION: Always be sure that the tool is switched off and the battery cartridge is removed before carrying out any work on the tool.

Parts description

Optional accessory

High performance filter and stay and sponge filter

► **Fig.6:** 1. Capsule 2. High performance filter 3. Stay 4. Sponge filter

Prefilter or high performance filter and HEPA filter

► **Fig.7:** 1. Capsule 2. Prefilter 3. High performance filter 4. HEPA filter

NOTICE: Do not underlay the high performance filter with an optional filter (non-woven cloth). The filters could not be removed from the cleaner.

NOTE: Do not install an optional filter (non-woven cloth) between the HEPA filter and prefilter. The suction power may be reduced.

NOTE: Always use the high performance filter that is framed with an originally-designed stay when overlaying it on the HEPA filter.

► **Fig.8:** 1. High performance filter 2. Stay (designed for high performance filter)

Disposing of dust

CAUTION: Empty the cleaner before it becomes too full, or the suction force weakens.

CAUTION: Be sure to empty the inside of the cleaner itself of dust. Failure to do so may cause the filter to be clogged or the motor to be damaged.

In order to drop dust sticking on the filter in the capsule, tap the capsule 4 or 5 times with your hand.

► **Fig.9:** 1. Capsule

Point suction inlet downwards, turn capsule in direction of arrow in diagram, and disconnect capsule slowly and straight.

► **Fig.10:** 1. Capsule 2. Suction inlet

NOTE: Dust may spill out when capsule is opened, so be sure to set a garbage bag beneath capsule.

Remove accumulated dust from the inside of capsule and high performance filter.

► **Fig.11:** 1. Capsule 2. High performance filter

Twist high performance filter in direction of arrow to unfasten securing lip from cleaner unit and then pull off the filter.

► **Fig.12:** 1. Securing lip

NOTE: When using the prefilter, also follow the procedure above.

Clean out the fine dust and lightly tap to dislodge dust from high performance filter.

Reassembly

Connect high performance filter. At this time, make sure to twist high performance filter so that securing lip is firmly locked into the cleaner unit.

► **Fig.13:** 1. High performance filter

► **Fig.14:** 1. Securing lip

NOTICE: Always be sure to check that high performance filter is loaded correctly prior to using cleaner. If it is not loaded correctly, dust will get into the motor housing, and cause motor failure.

If the problem as described later occurs, high performance filter is not loaded correctly. Reload it correctly to rectify problem.

Attach the capsule. Align the mark on capsule with the mark on the handle and then firmly twist capsule in the direction of arrow until it is secured.

► **Fig.15:** 1. Mark 2. Handle 3. Capsule

NOTE: Always remove dust ahead of time, as suction power will be reduced if there is too much dust in cleaner.

Problem Example

The securing lip of high performance filter is not firmly locked into groove of cleaner housing.

► **Fig.16:** 1. Securing lip 2. Groove of cleaner housing

Installing or removing stay / HEPA filter

Optional accessory

For the stay and sponge filter

To remove the stay, push up the bottom part of pillars of the stay with your fingers and release its groove from the protrusion on the cleaner. After that, remove the sponge filter.

► **Fig.17:** 1. Stay 2. Sponge filter

To install, align the grooves on the stay with the protrusion on the cleaner and push until it clicks.

Insert the sponge filter between the pillars and set it in the original position.

For the HEPA filter

When installing the HEPA filter, fit the groove of the HEPA filter with the protrusion on the cleaner. Then, put the prefilter or the high performance filter on the HEPA filter and twist it to secure. To remove, follow the installation procedure in reverse.

► **Fig.18:** 1. HEPA filter 2. Prefilter

► **Fig.19:** 1. HEPA filter 2. High performance filter

OPERATION

CAUTION: Do not move your face close to the air vent when operating the cleaner. If foreign objects are blown into eyes, it may result in personal injury.

Installing and removing cleaner attachments

CAUTION: After installing attachments, check if they are securely installed. If the attachments are installed imperfectly, they may come off and cause personal injury.

CAUTION: Be careful not to hit your hand on the wall etc. when removing the attachments.

When using attachment with lock function

To install attachment, insert it to the suction inlet of the cleaner until it clicks. Make sure that the attachment is locked.

► **Fig.20:** 1. Suction inlet 2. Attachment with lock function 3. Hook 4. Release button

NOTICE: When installing the attachment with lock function, be sure to align the release button on the cleaner with the hook on the attachment. If they are not aligned, the attachment will not be locked and may come off from the cleaner.

To remove, pull the attachment while pushing the release button.

► **Fig.21:** 1. Release button 2. Attachment with lock function

When using attachment without lock function

CAUTION: To connect attachment without lock function, twist and insert it in direction of the arrow to secure the connection during use. To disconnect the attachment, twist and extract it also in direction of the arrow. If the attachment is twisted in the opposite direction, the capsule may become loose.

► **Fig.22**

Cleaning (Suction)

Nozzle

Attach the nozzle to clean off tables, desks, furniture, etc. The nozzle slips on easily.

► **Fig.23:** 1. Nozzle

Nozzle + Extension wand (Straight pipe)

The extension wand fits in between the nozzle and the cleaner itself. This arrangement is convenient for cleaning a floor in a standing position.

► **Fig.24:** 1. Cleaner body 2. Extension wand (Straight pipe) 3. Nozzle

Sash nozzle

Fit on the sash nozzle for cleaning corners and crevices of a car or furniture.

► **Fig.25:** 1. Sash nozzle 2. Cleaner body

You can store the sash nozzle in the nozzle holder.

► **Fig.26:** 1. Nozzle holder 2. Sash nozzle

CAUTION: Be careful not to trap finger(s) between the sash nozzle and the nozzle holder. Trapping finger(s) may cause injury.

Sash nozzle + Extension wand (Straight pipe)

In tight quarters where the cleaner itself cannot squeeze in, or in high places hard to reach, use this arrangement.

- **Fig.27:** 1. Sash nozzle 2. Extension wand (Straight pipe) 3. Cleaner body

Cleaning without nozzle

You can pick up powder and dust without nozzle.

- **Fig.28**

For picking up dust on a floor in a standing position, it is convenient to attach the extension wand to the cleaner.

- **Fig.29:** 1. Extension wand (Straight pipe)

MAINTENANCE

CAUTION: Always be sure that the tool is switched off and the battery cartridge is removed before attempting to perform inspection or maintenance.

To maintain product SAFETY and RELIABILITY, repairs, any other maintenance or adjustment should be performed by Makita Authorized or Factory Service Centers, always using Makita replacement parts.

After use

CAUTION: Putting the cleaner against the wall without any other support may cause the cleaner to fall down, resulting in personal injury or damage to the cleaner.

- **Fig.30**

Cleaning

CAUTION: Clean filters when they become clogged. Continuing use in the clogged condition may result in heating or fire.

NOTICE: Never use gasoline, benzine, thinner, alcohol or the like. Discoloration, deformation or cracks may result.

NOTICE: Do not blow dust sticking on the cleaner and filters by air duster. It brings dust into the housing and causes failure.

NOTICE: After washing filters, dry them thoroughly before use. Insufficiently dried filters may cause poor suction and shorten the service life of the motor.

NOTICE: After cleaning filters and sponge filter, be sure to re-install them before use. If you use the cleaner without filters and sponge filter, dust comes into the motor housing and cause malfunction.

Cleaner body

From time to time wipe off the outside (cleaner body) of the cleaner using a cloth dampened in soapy water. Clean out also the suction opening and filter mounting area.

- **Fig.31**

High performance filter

Wash the filter in soapy water when it is clogged with dust and the cleaner power becomes weak. Dry it out thoroughly before use.

- **Fig.32**

HEPA filter

Optional accessory

NOTICE: Do not rub or scratch the HEPA filter with hard objects such as a brush and a paddle.

Clogged HEPA filter causes poor suction performance. Clean out the filter from time to time.

Occasionally wash the HEPA filter in water, rinse and dry thoroughly in the shade before use. Never wash the filter in a washing machine.

- **Fig.33**

Sponge filter

When the sponge filter becomes dirty, clean it as follows.

1. Remove filters that cover the stay.
2. Pull out the sponge filter from between the pillars.
3. Clean the sponge filter by tapping or washing. If you wash it, dry it out thoroughly before use.
4. Insert the sponge filter between the pillars and set it in the original position. Make sure that each bottom edge of the pillar holds down the sponge filter, and there is no gap between the sponge filter and suction opening.

- **Fig.34:** 1. Sponge filter 2. Bottom edge of pillar

Wall mount for cordless cleaner

Optional accessory

NOTE: The screw to mount the holder is not included. Prepare a screw which fits with the material to screw into.

Attach the wall mount for cordless cleaner to a hard wooden wall, beam or column, where the wall mount for cordless cleaner can be firmly secured. Always be sure that the wall mount for cordless cleaner is securely attached before hanging the cleaner.

- **Fig.35:** 1. Wall mount for cordless cleaner

CAUTION: Do not hang the cleaner to the wall mount violently or hang other appliances than the cleaner.

Troubleshooting

Before asking for repairs, check the following points.

Symptom	Area to be investigated	Fixing method
Weak suction power	Is the capsule full of dust?	Empty the capsule of dust.
	Is the filter clogged?	Clean or wash the filter.
	Is the battery cartridge discharged?	Charge the battery cartridge.
Not working	Is the battery cartridge discharged?	Charge the battery cartridge.
Noise and vibration	Is the filter clogged?	Clean or wash the filter.
	Is the nozzle, pipe or suction inlet of the appliance is clogged?	Remove the clogged objects in the nozzle, pipe or suction inlet of the appliance.
	Is the nozzle/pipe inlet blocked?	Do not block the nozzle/pipe inlet.

⚠ CAUTION: Do not attempt to repair the cleaner by yourself.

OPTIONAL ACCESSORIES

⚠ CAUTION: These accessories or attachments are recommended for use with your Makita tool specified in this manual. The use of any other accessories or attachments might present a risk of injury to persons. Only use accessory or attachment for its stated purpose.

If you need any assistance for more details regarding these accessories, ask your local Makita Service Center.

- Extension wand (Straight pipe)
- Nozzle
- Nozzle for carpet
- Shelf brush
- Sash nozzle
- Round brush
- Flexible hose
- Filter (non-woven cloth)
- Prefilter
- High performance filter
- HEPA filter
- Seat nozzle
- Crevice nozzle
- Wall mount for cordless cleaner
- Cyclone unit
- Cyclone attachment
- Tool bag
- Makita genuine battery and charger

NOTE: Some items in the list may be included in the tool package as standard accessories. They may differ from country to country.

Cyclone attachment

Optional accessory

- **Fig.36:** 1. Release button 2. Hook 3. Extension wand (Straight pipe) 4. Cyclone attachment 5. Suction inlet

About the cyclone attachment

Using the cleaner with the cyclone attachment installed reduces the amount of dust that enters the capsule, which helps to prevent the suction force from weakening. In addition, cleaning after use is also simple.

⚠ CAUTION: Always be sure that the tool is switched off and the battery cartridge is removed before carrying out any work on the tool. If the battery cartridge is left inserted, the cleaner may start unexpectedly and result in injury.

⚠ CAUTION: Clean the mesh filter of the cyclone attachment and the filters of the cleaner unit when they become clogged. Continuing use in the clogged condition may result in heating or smoke.

NOTICE: When the cyclone attachment is attached, do not use the cleaner in a horizontal or upward facing position. Doing so may cause the mesh filter to become clogged.

NOTICE: Always use the cleaner with the filters installed, even when using the cyclone attachment. Using the cleaner without the filters installed may result in a motor malfunction.

NOTE: Check that the cyclone attachment, cleaner, and extension wand (straight pipe) are locked properly before use.

NOTE: Empty the dust case of the cyclone attachment and the capsule of the cleaner when dust has accumulated. Continuing use will result in weakened suction force.

NOTE: You can also use the cyclone attachment without lock function.

NOTE: To install or remove the cyclone attachment, refer to the section "Installing and removing cleaner attachments".

Disposing of dust

When dust has accumulated up to the full line of the dust case, follow the procedure below and dispose of the dust.

1. Hold the dust case firmly, press and hold the two buttons, and remove the dust case.

► **Fig.37:** 1. Full line 2. Dust case 3. Button (two locations) 4. Mesh filter

2. Dispose of the dust inside the dust case and remove any dust and powder adhered to the surface of the mesh filter.

3. Insert the dust case all the way until the two buttons lock with a click.

► **Fig.38:** 1. Dust case 2. Button (two locations)

⚠ CAUTION: When reassembling the dust case, be careful not to pinch your fingers.

NOTE: Check that the cyclone attachment, cleaner, and extension wand (straight pipe) are locked properly before restarting operation.

NOTE: If the suction force does not recover even after disposing of the dust and cleaning the mesh filter, check whether dust has accumulated in the capsule of the cleaner or clogging has occurred.

NOTE: The dust may fly up when disposing from the cyclone attachment. Be careful not to let dust get into your eyes.

Cleaning

⚠ CAUTION: After washing the cyclone attachment, dry it thoroughly before use. Insufficiently dried components may cause an electrical shock or damage to the appliance.

When the dust case becomes dirty or the mesh filter is clogged, remove and wash them with water. (Refer to "Disposing of dust" for the removal procedure.)

Dry the parts thoroughly before reinstallation and use.

► **Fig.39:** 1. Dust case 2. Mesh filter

When the mesh filter gets dirty badly, clean it in the following procedures.

1. Turn the mesh filter in the direction of the arrow and remove it while the hooks are unlocked.

► **Fig.40:** 1. Mesh filter 2. Hook

2. Remove the dust on the mesh filter and then wash it with water. After that, dry it thoroughly.

3. Insert the mesh filter into the base while the hooks are aligned with the port. Turn the mesh filter in the direction of the arrow until the hooks are locked with a click. Make sure that the mesh filter is installed securely.

► **Fig.41:** 1. Mesh filter 2. Hook 3. Port

AVERTISSEMENT

- Cet appareil peut être utilisé par des enfants de 8 ans et plus, ainsi que par des personnes aux facultés physiques, sensorielles ou mentales diminuées ou sans expérience ni expertise sous la surveillance d'un adulte ou s'ils ont reçu des instructions concernant l'utilisation en toute sécurité de l'appareil et s'ils comprennent les risques encourus.
- Ne laissez pas les enfants jouer avec l'appareil. Le nettoyage et l'entretien à la charge de l'utilisateur ne doivent pas être réalisés par des enfants sans surveillance.
- Voir le chapitre « SPÉCIFICATIONS » pour la désignation de la batterie.
- Voir la section « Insertion ou retrait de la batterie » pour la méthode de retrait ou d'insertion de la batterie.
- Une fois la batterie arrivée en fin de vie, retirez-la de l'outil et déposez-la en lieu sûr. Respectez la réglementation locale en matière de mise au rebut des batteries.
- Lorsque vous n'utilisez pas l'outil pendant une période prolongée, la batterie doit être retirée de l'outil.
- Ne court-circuitez pas la batterie.
- Voir le chapitre « ENTRETIEN » pour des précautions détaillées pendant l'entretien à la charge de l'utilisateur.

SPÉCIFICATIONS

Modèle :		DCL284F
Capacité		730 ml
Utilisation continue (avec batterie BL1830B)	1 (Mode silencieux)	Environ 38 minutes
	2 (Mode vitesse normale)	Environ 21 minutes
	3 (Mode grande vitesse)	Environ 15 minutes
	4 (Mode vitesse maximum)	Environ 8 minutes
Longueur totale (avec tuyau, suceur et batterie BL1830B)		1 066 mm
Tension nominale		18 V CC
Poids net		1,3 - 1,7 kg

- Étant donné l'évolution constante de notre programme de recherche et de développement, les spécifications contenues dans ce manuel sont sujettes à modification sans préavis.
- Les spécifications peuvent varier suivant les pays.
- Le poids ne comprend pas les accessoires, mais la ou les batteries. Le poids combiné le plus léger et le plus lourd de l'appareil et de la ou des batteries est indiqué dans le tableau.

Batterie et chargeur applicables

Batterie	BL1815N / BL1820B / BL1830B / BL1840B / BL1850B / BL1860B
Chargeur	DC18RC / DC18RD / DC18RE / DC18SD / DC18SE / DC18SF / DC18SH / DC18WC

- Certains chargeurs et batteries répertoriés ci-dessus peuvent ne pas être disponibles selon la région où vous résidez.

⚠ AVERTISSEMENT : N'utilisez que les batteries et les chargeurs répertoriés ci-dessus. L'utilisation d'autres batteries et chargeurs peut provoquer des blessures et/ou un incendie.

Symboles

Vous trouverez ci-dessous les symboles susceptibles d'être utilisés pour l'appareil. Veuillez à comprendre leur signification avant toute utilisation.



Lire le mode d'emploi.



Représentation d'une batterie utilisable avec ce produit.



Ni-MH
Li-Ion

Pour les pays de l'Union européenne uniquement
En raison de la présence de composants dangereux dans l'équipement, les déchets d'équipements électriques et électroniques, les accumulateurs et les batteries peuvent avoir un impact négatif sur l'environnement et la santé humaine.

Ne jetez pas les appareils électriques et électroniques ou les batteries avec les ordures ménagères !

Conformément à la directive européenne relative aux déchets d'équipements électriques et électroniques et aux déchets d'accumulateurs et de batteries, ainsi qu'à son adaptation à la législation nationale, les déchets d'équipements électriques, les batteries et les accumulateurs doivent être collectés séparément et déposés dans un point de collecte distinct pour déchets urbains, conformément aux réglementations en matière de protection de l'environnement. Cela est indiqué par le symbole de la poubelle à roulettes barrée sur l'équipement.

Utilisations

L'outil est conçu pour la collecte des poussières sèches.

CONSIGNES DE SÉCURITÉ

Consignes de sécurité pour aspirateur sans fil

⚠ AVERTISSEMENT : IMPORTANT ! LIRE ATTENTIVEMENT toutes les consignes de sécurité et toutes les instructions AVANT UTILISATION. Le non-respect des avertissements et des instructions peut entraîner une électrocution, un incendie et/ou de graves blessures.

1. **Ne pas exposer à la pluie. Ranger à l'intérieur.**
2. **Ne pas laisser utiliser comme jouet. Une surveillance étroite est requise lors de l'utilisation par un enfant ou près d'un enfant.**
3. **Utiliser uniquement de la façon décrite dans ce manuel. Utiliser uniquement les accessoires recommandés par le fabricant.**
4. **Ne pas utiliser avec une batterie endommagée. Si l'appareil ne fonctionne pas comme il devrait, s'il est tombé, s'il a été endommagé, laissé à l'extérieur ou s'il est tombé dans l'eau, le renvoyer à un centre de service après-vente.**
5. **Ne pas manipuler l'appareil avec les mains mouillées.**

6. **N'insérer aucun objet dans les ouvertures. Ne pas utiliser si l'une des ouvertures est bloquée ; toujours enlever les poussières, peluches, cheveux et autres corps étrangers pouvant affecter la circulation de l'air.**
7. **Garder les cheveux, vêtements amples, doigts et toute autre partie du corps à l'écart des ouvertures et des pièces en mouvement.**
8. **Désactiver toutes les commandes avant de retirer la batterie.**
9. **Redoubler de prudence lorsque l'on passe l'aspirateur dans un escalier.**
10. **Ne pas utiliser pour collecter des liquides inflammables ou combustibles tels que l'essence, ou dans des zones où de tels liquides peuvent être présents.**
11. **Pour charger la batterie, utiliser uniquement le chargeur fourni par le fabricant.**
12. **Ne collecter aucune substance enflammée ou qui dégage de la fumée, telles que cigarettes, allumettes ou cendres chaudes.**
13. **Ne pas utiliser sans avoir posé le sac à poussière et/ou les filtres.**
14. **Ne pas charger la batterie à l'extérieur.**
15. **Recharger la batterie uniquement avec le chargeur spécifié par le fabricant.** Un chargeur prévu pour un type de batterie peut être à l'origine d'un incendie s'il est utilisé avec une autre batterie.
16. **Utilisez un appareil uniquement avec la batterie spécifiquement indiquée.** L'utilisation de toute autre batterie peut présenter un risque de blessure et d'incendie.
17. **Lorsque la batterie n'est pas utilisée, la tenir à l'écart des objets métalliques, comme des trombones, pièces de monnaie, clés, clous, vis ou autres petits objets métalliques, susceptibles de créer une connexion entre deux bornes.**
18. **Dans des conditions d'utilisation inadéquate, il peut y avoir une fuite de l'électrolyte de la batterie. Le cas échéant, éviter tout contact avec ce liquide. En cas de contact accidentel, rincer à l'eau.**
19. **N'utilisez pas une batterie ou un appareil endommagé ou modifié.** Une batterie endommagée ou modifiée peut avoir un comportement imprévisible susceptible d'entraîner un incendie, une explosion ou des blessures.
20. **N'exposez pas la batterie ou l'appareil au feu ou à une température excessive.** L'exposition au feu ou à une température supérieure à 130 °C peut provoquer une explosion.
21. **Respectez toutes les instructions de charge et ne chargez pas la batterie ou l'appareil en dehors de la plage de température indiquée dans les instructions.** Une charge incorrecte ou à une température en dehors de la plage indiquée peut endommager la batterie et augmenter le risque d'incendie.

CONSERVEZ CES INSTRUCTIONS.

CONSIGNES DE SÉCURITÉ ADDITIONNELLES

Cet appareil est conçu pour l'utilisation à l'intérieur.

1. Lire attentivement ce manuel d'instructions et celui du chargeur avant l'utilisation.
2. Ne pas collecter les matériaux suivants :
 - Substances chaudes qui brûlent ou dégagent de la fumée (cigarettes, allumettes, bâtonnets d'encens, bougies, cendres chaudes), étincelles et poussières métalliques générées par la coupe ou le meulage de métal, etc.
 - Liquide inflammable (kérosène, essence, solvants comme le benzine, diluant, etc.)
 - Matériau inflammable (toner, peinture, pulvérisation, etc.)
 - Substances explosives ou matières pyrophoriques (nitroglycérine, aluminium, magnésium, titane, zinc, phosphore rouge, phosphore jaune, celluloid, etc. et leurs poussières, gaz ou vapeurs)
 - Liquide, huile, saletés ou ordures humides, y compris vomis et excréments
 - Pièces dures à bords tranchants (copeaux de bois, pièces de métal, pierres, verres, clous, broches, lames de rasoir ou couverts)
 - Poudre fine solidifiante et conductrice (poudre de métal ou de carbone)
 - Produits de nettoyage pour tapis sous forme de mousse, etc. (ils peuvent provoquer une explosion ou un incendie)
 - Grande quantité de poudre (farine, poudre d'extincteur, etc.)
 - Substances à l'origine de symptômes toxiques
 - Produits chimiques agressifs (acides, alcalis, etc.)
 - Poudre liante fine comme le ciment
 - Particules fines comme la poussière de béton
 - Absorbants d'humidité
 - Amiante
 - Pesticides

La collecte de tels matériaux peut entraîner un incendie, des dommages corporels et/ou matériels. Pour réduire votre degré d'exposition à ces produits chimiques, portez toujours une protection respiratoire homologuée comme un masque anti-poussière spécialement conçu pour filtrer les particules microscopiques. Éloignez l'air évacué de votre visage et de votre corps.

3. Cesser immédiatement l'utilisation en cas d'anomalie.
4. Si l'aspirateur tombe ou est heurté, vérifier attentivement l'absence de fissures ou de dommages avant l'utilisation.
5. Ne pas approcher des fourneaux ou autres sources de chaleur.
6. Ne pas bloquer les orifices d'entrée ou de sortie d'air.

CONSERVEZ CES INSTRUCTIONS.

Consignes de sécurité importantes pour la batterie

1. Avant d'utiliser la batterie, lisez toutes les instructions et précautions relatives (1) au chargeur de batterie, (2) à la batterie, et (3) au produit utilisant la batterie.
2. Ne désassemblez pas et ne modifiez pas la batterie. Cela pourrait entraîner un incendie, une chaleur excessive ou une explosion.
3. Cessez immédiatement l'utilisation si le temps de fonctionnement devient excessivement court. Il y a risque de surchauffe, de brûlures, voire d'explosion.
4. Si l'électrolyte pénètre dans vos yeux, rincez-les à l'eau claire et consultez immédiatement un médecin. Il y a risque de perte de la vue.
5. Ne court-circuitez pas la batterie :
 - (1) Ne touchez pas les bornes avec aucun matériau conducteur.
 - (2) Évitez de ranger la batterie dans un conteneur avec d'autres objets métalliques, par exemple des clous, des pièces de monnaie, etc.
 - (3) N'exposez pas la batterie à l'eau ou à la pluie.Un court-circuit de la batterie peut provoquer une intensité de courant élevée, une surchauffe, parfois des brûlures et même une panne.
6. Ne rangez ni n'utilisez l'outil et la batterie dans un endroit où la température risque d'atteindre ou de dépasser 50 °C.
7. Ne jetez pas la batterie au feu même si elle est sérieusement endommagée ou complètement épuisée. La batterie peut exploser au contact du feu.
8. Abstenez-vous de clouer, couper, écraser, jeter, laisser tomber la batterie, ou de la heurter contre un objet dur. Cela pourrait entraîner un incendie, une chaleur excessive ou une explosion.
9. N'utilisez pas la batterie si elle est endommagée.
10. Les batteries au lithium-ion contenues sont soumises aux exigences de la législation sur les marchandises dangereuses. Lors du transport commercial par des tiers parties ou des transitaires par exemple, des exigences spécifiques en matière d'étiquetage et d'emballage doivent être respectées. Pour la préparation de l'article expédié, il est nécessaire de consulter un expert en matériau dangereux. Veuillez également respecter les réglementations nationales susceptibles d'être plus détaillées. Recouvrez les contacts exposés avec du ruban adhésif ou du ruban de masquage et emballez la batterie de telle sorte qu'elle ne puisse pas bouger dans l'emballage.
11. Lors de la mise au rebut de la batterie, retirez-la de l'outil et jetez-la en lieu sûr. Suivez les réglementations locales en matière de mise au rebut des batteries.

12. **Utilisez les batteries uniquement avec les produits spécifiés par Makita.** L'insertion de batteries dans des produits non conformes peut provoquer un incendie, une chaleur excessive, une explosion ou une fuite de l'électrolyte.
13. **Lorsque vous n'utilisez pas l'outil pendant une période prolongée, la batterie doit être retirée de l'outil.**
14. **Pendant et après l'utilisation, la batterie peut chauffer, ce qui peut entraîner des brûlures, y compris en cas de température relativement basse. Manipulez les batteries chaudes avec précaution.**
15. **Ne touchez pas la borne de l'outil immédiatement après utilisation car elle peut être assez chaude pour provoquer des brûlures.**
16. **Évitez que des copeaux, de la poussière ou du sol adhèrent aux bornes, aux trous et aux rainures de la batterie.** Cela peut provoquer un échauffement, un incendie, une explosion ou un dysfonctionnement de l'outil ou de la batterie, ce qui peut entraîner des brûlures ou des blessures.
17. **À moins que l'outil prenne en charge un tel usage, n'utilisez pas la batterie à proximité de lignes électriques haute tension.** Cela pourrait entraîner un dysfonctionnement ou casser l'outil ou la batterie.
18. **Conservez la batterie hors de portée des enfants.**

CONSERVEZ CES INSTRUCTIONS.

⚠ ATTENTION : N'utilisez que des batteries Makita d'origine. L'utilisation de batteries de marque autre que Makita ou de batteries modifiées peut provoquer l'explosion des batteries, ce qui présente un risque d'incendie, de dommages matériels et corporels. Cela annulera également la garantie Makita pour l'outil et le chargeur Makita.

Conseils pour assurer la durée de vie optimale de la batterie

1. **Chargez la batterie avant qu'elle ne soit complètement déchargée. Arrêtez toujours l'outil et rechargez la batterie quand vous remarquez que la puissance de l'outil diminue.**
2. **Ne rechargez jamais une batterie complètement chargée. La surcharge réduit la durée de service de la batterie.**
3. **Chargez la batterie à une température ambiante comprise entre 10 °C et 40 °C. Avant de charger une batterie chaude, laissez-la refroidir.**
4. **Lorsque vous n'utilisez pas la batterie, retirez-la de l'outil ou du chargeur.**
5. **Rechargez la batterie si elle est restée inutilisée pendant une période prolongée (plus de six mois).**

DESCRIPTION DU FONCTIONNEMENT

⚠ ATTENTION : Assurez-vous toujours que l'outil est hors tension et que sa batterie est retirée avant de l'ajuster ou de vérifier son fonctionnement.

⚠ ATTENTION : Lors de la mise en place de la batterie, prenez garde de ne pas vous coincer les doigts entre l'aspirateur et la batterie, tel qu'illustré sur le schéma. Il y a risque de blessure si vous vous coincez les doigts.

► Fig.1

Insertion ou retrait de la batterie

⚠ ATTENTION : Éteignez toujours l'outil avant de mettre en place ou de retirer la batterie.

⚠ ATTENTION : Tenez fermement l'outil et la batterie lors de la mise en place ou du retrait de la batterie. Si vous ne tenez pas fermement l'outil et la batterie, ils peuvent vous glisser des mains, et s'abîmer ou vous blesser.

Pour retirer la batterie, faites-la glisser hors de l'outil tout en faisant glisser le bouton à l'avant de la batterie.

► Fig.2: 1. Indicateur rouge 2. Bouton 3. Batterie

Pour mettre la batterie en place, alignez la languette de la batterie avec la rainure du compartiment puis insérez la batterie. Insérez-la entièrement jusqu'à entendre un léger déclic indiquant qu'elle est bien en place. Si vous pouvez voir l'indicateur rouge comme illustré sur la figure, c'est qu'elle n'est pas bien verrouillée.

⚠ ATTENTION : Insérez toujours complètement la batterie jusqu'à ce que l'indicateur rouge ne soit plus visible. Sinon, elle pourrait tomber accidentellement de l'outil, au risque de vous blesser ou de blesser quelqu'un se trouvant près de vous.

⚠ ATTENTION : N'insérez pas la batterie de force. Si elle ne glisse pas facilement, c'est que vous ne l'insérez pas correctement.

Système de protection de l'outil/la batterie

L'outil est équipé d'un système de protection de l'outil/la batterie. Ce système coupe automatiquement l'alimentation vers le moteur pour prolonger la durée de vie de l'outil et de la batterie. Si l'outil ou la batterie se trouve dans l'une des situations suivantes, l'outil cessera automatiquement de fonctionner.

Surcharge :

L'outil/la batterie est utilisé(e) de telle manière qu'il(elle) consomme un courant anormalement élevé. Dans ce cas, éteignez l'outil et arrêtez la tâche ayant provoqué la surcharge de l'outil. Puis rallumez l'outil pour reprendre la tâche.

Surchauffe :

Lorsque l'outil/la batterie surchauffe. Dans ce cas, laissez l'outil ou la batterie refroidir avant de rallumer l'outil.

Faible tension de la batterie :

La capacité restante de la batterie est trop faible et l'outil ne fonctionne pas. Le cas échéant, retirez et rechargez la batterie.

Protections contre d'autres causes :

Le système de protection est également conçu pour d'autres causes qui pourraient endommager l'outil et lui permet de s'arrêter automatiquement. Suivez toutes les étapes ci-dessous pour éliminer les causes, lorsque l'outil a été arrêté provisoirement ou a cessé de fonctionner.

1. Éteignez l'outil, puis rallumez-le pour le redémarrer.
2. Chargez la ou les batteries ou remplacez-les par des batteries rechargées.
3. Laissez l'outil et la ou les batteries refroidir.

En l'absence d'amélioration après avoir rétabli le système de protection, contactez votre centre de service Makita local.

Indication de la charge restante de la batterie

Uniquement pour les batteries avec voyant lumineux

► Fig.3: 1. Témoins 2. Bouton de vérification

Appuyez sur le bouton de vérification sur la batterie pour indiquer la charge restante de la batterie. Les témoins s'allument pendant quelques secondes.

Témoins			Charge restante
Allumé	Éteint	Clignotant	
			75 % à 100 %
			50 % à 75 %
			25 % à 50 %
			0 % à 25 %
			Chargez la batterie.
			Anomalie possible de la batterie.

NOTE : Selon les conditions d'utilisation et la température ambiante, l'indication peut être légèrement différente de la capacité réelle.

NOTE : Le premier témoin (complètement à gauche) clignotera pendant le fonctionnement du système de protection de la batterie.

Fonctionnement de la gâchette

► Fig.4: 1. Bouton de changement de la puissance d'aspiration 2. Bouton Marche/Arrêt (ON/OFF)

Pour démarrer l'aspirateur, il suffit d'appuyer sur le bouton Marche/Arrêt (ON/OFF). Pour l'éteindre, appuyez de nouveau sur le bouton Marche/Arrêt (ON/OFF).

Vous pouvez changer la puissance d'aspiration de l'aspirateur selon quatre niveaux en appuyant sur le bouton de changement de la puissance d'aspiration. Chaque pression sur ce bouton répète en cycle le mode Silencieux/Normal/Élevé/Max.

Niveau	Indication	Mode
1		Mode silencieux
2		Mode vitesse normale
3		Mode grande vitesse
4		Mode vitesse maximum

NOTE : Vous pouvez modifier la puissance d'aspiration avant de mettre sous tension l'aspirateur.

NOTE : L'aspirateur démarre avec la même puissance d'aspiration que lors de son dernier fonctionnement.

Allumage de la lampe

ATTENTION : Évitez de regarder directement le faisceau lumineux ou sa source.

Pour allumer la lampe, appuyez sur le bouton de changement de la puissance d'aspiration. La lampe s'éteint au bout de 10 secondes environ.

La lampe s'allume pendant le fonctionnement de l'aspirateur. La lampe s'éteint environ 10 secondes après l'arrêt du fonctionnement.

NOTE : Lorsque la charge restante de la batterie diminue, la lampe se met à clignoter. Le moment où la lampe se met à clignoter dépend de la température sur le lieu de travail et de l'état de la batterie.

► Fig.5: 1. Bouton de changement de la puissance d'aspiration 2. Bouton Marche/Arrêt (ON/OFF) 3. Lampe

ASSEMBLAGE

ATTENTION : Assurez-vous toujours que l'outil est hors tension et que sa batterie est retirée avant d'effectuer toute tâche dessus.

Description des pièces

Accessoire en option

Filtre haute performance, logement et filtre éponge

► Fig.6: 1. Capsule 2. Filtre haute performance 3. Logement 4. Filtre éponge

Préfiltre ou filtre haute performance et filtre HEPA

- **Fig.7:** 1. Capsule 2. Préfiltre 3. Filtre haute performance 4. Filtre HEPA

REMARQUE : Ne mettez pas sous le filtre haute performance un filtre en option (tissu non tissé). Vous risqueriez de ne plus pouvoir retirer les filtres de l'aspirateur.

NOTE : N'installez pas un filtre en option (tissu non tissé) entre le filtre HEPA et le préfiltre. La puissance d'aspiration pourrait en être réduite.

NOTE : Utilisez toujours le filtre haute performance encadré avec un logement conçu à l'origine lorsque vous le superposez sur le filtre HEPA.

- **Fig.8:** 1. Filtre haute performance 2. Logement (conçu pour le filtre haute performance)

Mise au rebut des poussières

ATTENTION : Videz l'aspirateur avant qu'il ne soit trop plein, autrement sa puissance d'aspiration sera moindre.

ATTENTION : Vérifiez bien qu'il n'y a plus de poussières à l'intérieur de l'aspirateur lui-même. Autrement le filtre risque de se boucher ou le moteur de subir des dommages.

Pour faire tomber dans la capsule la poussière qui adhère au filtre, tapez 4 ou 5 fois sur la capsule avec la main.

- **Fig.9:** 1. Capsule

Dirigez l'entrée d'aspiration vers le bas, tournez la capsule dans le sens de la flèche sur le schéma et déconnectez la capsule en tirant lentement et bien droit.

- **Fig.10:** 1. Capsule 2. Entrée d'aspiration

NOTE : La poussière risquant de s'échapper lors de l'ouverture de la capsule, pensez à placer un sac-poubelle sous la capsule.

Retirez la poussière accumulée de l'intérieur de la capsule et du filtre haute performance.

- **Fig.11:** 1. Capsule 2. Filtre haute performance

Tournez le filtre haute performance dans le sens de la flèche pour desserrer l'onglet de blocage de l'aspirateur, puis retirez le filtre en tirant dessus.

- **Fig.12:** 1. Onglet de blocage

NOTE : Lorsque vous utilisez le préfiltre, procédez également comme il est indiqué ci-dessus.

Enlevez les poussières fines et tapez légèrement pour déloger la poussière du filtre haute performance.

Remontage

Connectez le filtre haute performance. Pensez alors à tourner le filtre haute performance de sorte que l'onglet de blocage soit fermement verrouillé dans l'aspirateur.

- **Fig.13:** 1. Filtre haute performance

- **Fig.14:** 1. Onglet de blocage

REMARQUE : Avant d'utiliser l'aspirateur, vérifiez toujours que le filtre haute performance est bien posé. S'il n'est pas bien posé, la poussière pénétrera dans le carter du moteur entraînant une panne du moteur. Si le problème décrit ultérieurement survient, le filtre haute performance n'est pas correctement posé. Reposez-le correctement pour régler le problème.

Fixez la capsule. Alignez le repère sur la capsule avec le repère sur la poignée, puis tournez fermement la capsule dans le sens de la flèche jusqu'à ce qu'elle soit verrouillée.

- **Fig.15:** 1. Repère 2. Poignée 3. Capsule

NOTE : Retirez toujours la poussière à l'avance, car la puissance d'aspiration diminuera s'il y a trop de poussière dans l'aspirateur.

Exemples de problème

L'onglet de blocage du filtre haute performance n'est pas bien verrouillé dans la rainure du carter de l'aspirateur.

- **Fig.16:** 1. Onglet de blocage 2. Rainure du carter de l'aspirateur

Pose ou retrait du logement/filtre HEPA

Accessoire en option

Pour le logement et le filtre éponge

Pour déposer le logement, poussez vers le haut les parties inférieures des montants du logement avec les doigts et dégagez sa rainure de la partie saillante sur l'aspirateur. Après cela, retirez le filtre éponge.

- **Fig.17:** 1. Logement 2. Filtre éponge

Pour le poser, alignez les rainures sur le logement avec la partie saillante sur l'aspirateur et poussez jusqu'au dé clic.

Insérez le filtre éponge entre les montants et placez-le dans la position d'origine.

Pour le filtre HEPA

Lorsque vous installez le filtre HEPA, faites coïncider la rainure du filtre HEPA avec la partie saillante sur l'aspirateur. Ensuite, placez le préfiltre ou le filtre haute performance sur le filtre HEPA et tournez-le pour le fixer en place. Pour le retirer, effectuez la procédure de pose dans l'ordre inverse.

- **Fig.18:** 1. Filtre HEPA 2. Préfiltre

- **Fig.19:** 1. Filtre HEPA 2. Filtre haute performance

UTILISATION

⚠ ATTENTION : N'approchez pas votre visage de l'orifice d'aération lorsque vous utilisez l'aspirateur. Si des corps étrangers sont soufflés dans les yeux, cela présente un risque de blessure.

Pose et dépose des accessoires de l'aspirateur

⚠ ATTENTION : Après avoir installé les accessoires, assurez-vous qu'ils sont solidement installés. Si les accessoires sont mal installés, ils risquent de se dégager et de provoquer des blessures.

⚠ ATTENTION : Prenez garde de ne pas vous cogner la main contre le mur ou autre lorsque vous retirez les accessoires.

Lorsque vous utilisez un accessoire avec fonction de blocage

Pour installer l'accessoire, insérez-le dans l'entrée d'aspiration de l'aspirateur jusqu'au dé clic. Vérifiez que l'accessoire est verrouillé.

► **Fig.20:** 1. Entrée d'aspiration 2. Accessoire avec fonction de blocage 3. Crochet 4. Bouton de dégagement

REMARQUE : Lorsque vous installez un accessoire avec fonction de blocage, veillez à aligner le bouton de dégagement sur l'aspirateur avec le crochet sur l'accessoire. S'ils ne sont pas alignés, l'accessoire ne se verrouillera pas et pourra se détacher de l'aspirateur.

Pour le retirer, tirez sur l'accessoire tout en appuyant sur le bouton de dégagement.

► **Fig.21:** 1. Bouton de dégagement 2. Accessoire avec fonction de blocage

Lorsque vous utilisez un accessoire sans fonction de blocage

⚠ ATTENTION : Pour connecter un accessoire sans fonction de blocage, insérez-le en tournant dans le sens de la flèche pour assurer une connexion sûre pendant l'utilisation. Pour déconnecter l'accessoire, tirez en tournant également dans le sens de la flèche. Si l'accessoire est tourné dans le sens contraire, la capsule risquera de se desserrer.

► **Fig.22**

Nettoyage (aspiration)

Suceur

Fixez le suceur pour nettoyer les tables, bureaux, meubles, etc. Le suceur se glisse facilement en place.

► **Fig.23:** 1. Suceur

Suceur + Tube prolongateur (tuyau droit)

Le tube prolongateur s'installe entre le suceur et l'aspirateur. Il permet de passer l'aspirateur sur le sol tout en se tenant debout.

► **Fig.24:** 1. Corps de l'aspirateur 2. Tube prolongateur (tuyau droit) 3. Suceur

Suceur plat

Installez le suceur plat pour passer l'aspirateur dans les coins ou dans les interstices d'un véhicule ou d'un meuble.

► **Fig.25:** 1. Suceur plat 2. Corps de l'aspirateur

Vous pouvez ranger le suceur plat dans le porte-suceur.

► **Fig.26:** 1. Porte-suceur 2. Suceur plat

⚠ ATTENTION : Prenez garde de ne pas vous coincer le(s) doigt(s) entre le suceur plat et le porte-suceur. Il y a un risque de blessure si vous vous coincez le(s) doigt(s).

Suceur plat + Tube prolongateur (tuyau droit)

Utilisez cette combinaison pour passer l'aspirateur dans les endroits exigus où l'aspirateur seul ne peut pas se faufiler ou dans les endroits élevés difficiles à atteindre.

► **Fig.27:** 1. Suceur plat 2. Tube prolongateur (tuyau droit) 3. Corps de l'aspirateur

Nettoyage sans suceur

Le suceur n'est pas nécessaire pour aspirer de la poudre ou des poussières.

► **Fig.28**

Pour ramasser de la poussière au sol tout en se tenant debout, fixer le tube prolongateur à l'aspirateur se révèle pratique.

► **Fig.29:** 1. Tube prolongateur (tuyau droit)

ENTRETIEN

⚠ ATTENTION : Assurez-vous toujours que l'outil est hors tension et que la batterie est retirée avant d'y effectuer tout travail d'inspection ou d'entretien.

Pour assurer la SÉCURITÉ et la FIABILITÉ du produit, toute réparation, tout travail d'entretien ou de réglage doivent être effectués par un centre de service après-vente Makita agréé ou un centre de service usine, avec des pièces de rechange Makita.

Après l'utilisation

⚠ ATTENTION : Si vous posez l'aspirateur contre le mur sans aucun autre soutien, il risque de tomber, ce qui peut blesser quelqu'un et l'endommager.

► **Fig.30**

Nettoyage

⚠ ATTENTION : Nettoyez les filtres lorsqu'ils sont bouchés. Continuer à les utiliser dans cet état peut provoquer une émission de chaleur ou un incendie.

REMARQUE : N'utilisez jamais d'essence, benzine, diluant, alcool ou autre produit similaire. Cela risquerait de provoquer la décoloration, la déformation ou la fissuration de l'outil.

REMARQUE : Ne soufflez pas la poussière collée à l'aspirateur et aux filtres avec un dépoussiérant à air. Cela entraîne la poussière dans le carter et provoque des pannes.

REMARQUE : Après avoir lavé les filtres, séchez-les soigneusement avant utilisation. Des filtres pas assez secs peuvent affecter la capacité d'aspiration et la durée de vie du moteur.

REMARQUE : Après avoir nettoyé les filtres et le filtre éponge, veillez à les remettre en place avant utilisation. Si vous utilisez l'aspirateur sans les filtres ni le filtre éponge, la poussière pénétrera dans le carter du moteur et causera une panne.

Corps de l'aspirateur

Essuyez de temps à autre la surface extérieure (le corps) de l'aspirateur avec un chiffon humecté d'eau savonneuse.

Nettoyez également l'ouverture d'aspiration et la zone de montage du filtre.

► Fig.31

Filtre haute performance

Lorsque le filtre est bouché par la poussière et que la puissance de l'aspirateur s'en trouve affaiblie, lavez-le dans de l'eau savonneuse. Laissez-le sécher complètement avant l'utilisation.

► Fig.32

Filtre HEPA

Accessoire en option

REMARQUE : Ne frottez, ni ne grattez le filtre HEPA avec des objets durs comme une brosse ou une spatule.

Un filtre HEPA bouché est à l'origine d'une médiocre performance d'aspiration. Nettoyez de temps à autre le filtre.

Lavez à l'occasion le filtre HEPA dans l'eau, rincez-le et séchez-le bien à l'ombre avant de le réutiliser. Ne lavez jamais le filtre dans un lave-linge.

► Fig.33

Filtre éponge

Lorsque le filtre éponge est encrassé, nettoyez-le comme suit.

1. Retirez les filtres qui couvrent le logement.
2. Retirez le filtre éponge d'entre les montants.
3. Nettoyez le filtre éponge en le tapotant ou en le lavant. Si vous le lavez, séchez-le soigneusement avant utilisation.
4. Insérez le filtre éponge entre les montants et placez-le dans la position d'origine. Assurez-vous que chaque bord inférieur de montant maintient le filtre éponge et qu'il n'y a pas d'espace entre le filtre éponge et l'ouverture d'aspiration.

► Fig.34: 1. Filtre éponge 2. Bord inférieur de montant

Fixation murale pour aspirateur sans fil

Accessoire en option

NOTE : La vis pour fixer le support n'est pas incluse. Prévoyez une vis adaptée au matériau dans lequel vous visserez.

Placez la fixation murale pour aspirateur sans fil sur un mur, une poutre ou une colonne en bois dur, où elle pourra être solidement fixée. Assurez-vous toujours que la fixation murale pour aspirateur sans fil est solidement fixée avant d'accrocher l'aspirateur.

► Fig.35: 1. Fixation murale pour aspirateur sans fil

⚠ ATTENTION : N'accrochez pas violemment l'aspirateur à la fixation murale ni n'y accrochez d'autres appareils.

Guide de dépannage

Avant de solliciter une réparation, vérifiez les points suivants.

Symptôme	Point à vérifier	Méthode de réparation
Faible puissance d'aspiration	La capsule est-elle pleine de poussière ?	Videz la poussière de la capsule.
	Le filtre est-il bouché ?	Nettoyez ou lavez le filtre.
	La batterie est-elle déchargée ?	Chargez la batterie.
Ne fonctionne pas	La batterie est-elle déchargée ?	Chargez la batterie.
Bruit et vibration	Le filtre est-il bouché ?	Nettoyez ou lavez le filtre.
	Le suceur, le tuyau ou l'entrée d'aspiration de l'appareil sont-ils bouchés ?	Retirez les objets bouchant le suceur, le tuyau ou l'entrée d'aspiration de l'appareil.
	L'entrée du suceur/tuyau est-elle bloquée ?	Ne bloquez pas l'entrée du suceur/tuyau.

⚠ ATTENTION : N'essayez pas de réparer vous-même l'aspirateur.

ACCESSOIRES EN OPTION

⚠ ATTENTION : Ces accessoires ou pièces complémentaires sont recommandés pour l'utilisation avec l'outil Makita spécifié dans ce mode d'emploi. L'utilisation de tout autre accessoire ou pièce complémentaire peut comporter un risque de blessure. N'utilisez les accessoires ou pièces complémentaires qu'aux fins auxquelles ils ont été conçus.

Pour obtenir plus de détails sur ces accessoires, contactez votre centre d'entretien local Makita.

- Tube prolongateur (tuyau droit)
- Suceur
- Suceur pour tapis
- Brosse pour étagères
- Suceur plat
- Brosse ronde
- Tuyau flexible
- Filtre (tissu non tissé)
- Préfiltre
- Filtre haute performance
- Filtre HEPA
- Suceur pour siège
- Suceur pour interstice
- Fixation murale pour aspirateur sans fil
- Unité du cyclone
- Collecteur cyclone
- Sac de l'outil
- Batterie et chargeur Makita d'origine

NOTE : Il se peut que certains éléments de la liste soient compris dans l'emballage de l'outil en tant qu'accessoires standard. Ils peuvent varier d'un pays à l'autre.

Collecteur cyclone

Accessoire en option

- Fig.36: 1. Bouton de dégagement 2. Crochet
3. Tube prolongateur (tuyau droit)
4. Collecteur cyclone 5. Entrée d'aspiration

À propos du collecteur cyclone

L'utilisation de l'aspirateur avec le collecteur cyclone installé réduit la quantité de poussière qui pénètre dans la capsule, ce qui permet d'éviter que la puissance d'aspiration faiblisse. De plus, le nettoyage après utilisation est également simple.

⚠ ATTENTION : Assurez-vous toujours que l'outil est hors tension et que sa batterie est retirée avant d'effectuer toute tâche dessus. Si la batterie est insérée, un démarrage intempestif de l'aspirateur susceptible de provoquer des blessures est possible.

⚠ ATTENTION : Nettoyez le filtre à maille du collecteur cyclone et les filtres de l'aspirateur s'ils sont bouchés. Continuer à les utiliser dans cet état peut provoquer une émission de chaleur ou de la fumée.

REMARQUE : Lorsque le collecteur cyclone est fixé, n'utilisez pas l'aspirateur dans le sens horizontal ou dans la position tournée vers le haut. Le filtre à maille pourrait se boucher.

REMARQUE : Utilisez toujours l'aspirateur avec les filtres installés, même lorsque vous utilisez le collecteur cyclone. Si vous utilisez l'aspirateur sans filtres installés, un dysfonctionnement du moteur peut se produire.

NOTE : Vérifiez avant utilisation que le collecteur cyclone, l'aspirateur et le tube prolongateur (tuyau droit) sont correctement verrouillés.

NOTE : Videz le logement à poussières du collecteur cyclone et la capsule de l'aspirateur lorsque de la poussière s'est accumulée. Continuer à les utiliser dans cet état affaiblira la puissance d'aspiration.

NOTE : Vous pouvez également utiliser le collecteur cyclone sans la fonction de blocage.

NOTE : Pour installer ou retirer le collecteur cyclone, reportez-vous à la section « Pose et dépose des accessoires de l'aspirateur ».

Lorsque le filtre à maille est très sale, nettoyez-le en procédant comme suit.

1. Tournez le filtre à maille dans le sens de la flèche et retirez-le alors que les crochets sont déverrouillés.

► **Fig.40:** 1. Filtre à maille 2. Crochet

2. Retirez la poussière sur le filtre à maille, puis lavez-le à l'eau. Ensuite, séchez-le soigneusement.

3. Insérez le filtre à maille dans la base avec les crochets alignés sur l'orifice. Tournez le filtre à maille dans le sens de la flèche jusqu'à ce que les crochets se verrouillent avec un clic. Assurez-vous que le filtre à maille est solidement installé.

► **Fig.41:** 1. Filtre à maille 2. Crochet 3. Orifice

Mise au rebut des poussières

Lorsque la poussière s'est accumulée jusqu'à la ligne Plein du logement à poussières, procédez comme indiqué ci-dessous et jetez la poussière.

1. Tenez fermement le logement à poussières, maintenez enfoncés les deux boutons et retirez le logement à poussières.

► **Fig.37:** 1. Ligne Plein 2. Logement à poussières
3. Bouton (deux emplacements) 4. Filtre à maille

2. Jetez la poussière à l'intérieur du logement à poussières et retirez la poussière ou la poudre collée à la surface du filtre à maille.

3. Insérez le logement à poussières à fond jusqu'à ce que les deux boutons se verrouillent en place avec un déclic.

► **Fig.38:** 1. Logement à poussières 2. Bouton (deux emplacements)

⚠ATTENTION : Lorsque vous réassemblez le logement à poussières, prenez soin de ne pas vous coincer les doigts.

NOTE : Vérifiez avant de redémarrer que le collecteur cyclone, l'aspirateur et le tube prolongateur (tuyau droit) sont correctement verrouillés.

NOTE : Si la puissance d'aspiration n'est pas rétablie même après avoir jeté la poussière et nettoyé le filtre à maille, vérifiez si la poussière ne s'est pas accumulée dans la capsule de l'aspirateur ou si ce dernier n'est pas bouché.

NOTE : La poussière peut voler lorsque vous la jetez du collecteur cyclone. Faites attention de ne pas laisser la poussière entrer dans vos yeux.

Nettoyage

⚠ATTENTION : Après avoir nettoyé le collecteur cyclone, séchez-le soigneusement avant utilisation. Des composants pas assez secs peuvent provoquer une électrocution ou endommager l'appareil.

Lorsque le logement à poussières est sale ou que le filtre à maille est bouché, retirez-les et lavez-les à l'eau. (Consultez « Mise au rebut des poussières » pour la procédure de retrait.)

Séchez soigneusement les pièces avant de les remettre en place et d'utiliser l'aspirateur.

► **Fig.39:** 1. Logement à poussières 2. Filtre à maille

WARNUNG

- Dieses Gerät kann von Kindern ab 8 Jahren und Personen mit verminderten körperlichen, sensorischen oder geistigen Fähigkeiten oder Mangel an Erfahrung und Kenntnissen benutzt werden, sofern sie eine Beaufsichtigung oder Anweisung bezüglich des sicheren Gebrauchs des Gerätes erhalten haben und die damit verbundenen Gefahren verstehen.
- Kinder dürfen nicht mit dem Gerät spielen. Reinigung und Benutzerwartung dürfen nicht von Kindern ohne Aufsicht durchgeföhrt werden.
- Angaben zur Typenbezeichnung des Akkus finden Sie im Kapitel „TECHNISCHE DATEN“.
- Angaben zum Demontage- oder Installationsverfahren des Akkus finden Sie im Abschnitt „Installieren oder Demontieren des Akkus“.
- Entfernen Sie den Akku zum Entsorgen vom Werkzeug, und entsorgen Sie ihn an einem sicheren Ort. Befolgen Sie die örtlichen Vorschriften bezüglich der Entsorgung von Akkus.
- Soll das Werkzeug längere Zeit nicht benutzt werden, muss der Akku vom Werkzeug entfernt werden.
- Der Akku darf nicht kurzgeschlossen werden.
- Entsprechende Details der Vorsichtsmaßnahmen während der Benutzerwartung finden Sie im Kapitel „WARTUNG“.

TECHNISCHE DATEN

Modell:		DCL284F
Kapazität		730 mL
Dauerbetrieb (mit Akku BL1830B)	1 (Leisemodus)	ca. 38 min
	2 (Normaldrehzahlmodus)	ca. 21 min
	3 (Hochdrehzahlmodus)	ca. 15 min
	4 (Maximaldrehzahlmodus)	ca. 8 min
Gesamtlänge (mit Rohr, Düse und Akku BL1830B)		1.066 mm
Nennspannung		18 V Gleichstrom
Nettogewicht		1,3 - 1,7 kg

- Wir behalten uns vor, Änderungen der technischen Daten im Zuge der Entwicklung und des technischen Fortschritts ohne vorherige Ankündigung vorzunehmen.
- Die technischen Daten können von Land zu Land unterschiedlich sein.
- Das Gewicht schließt keine Zubehörteile, aber Akkus ein. Das niedrigste und höchste Kombinationsgewicht des Gerätes und der Akkus sind in der Tabelle angegeben.

Zutreffende Akkus und Ladegeräte

Akku	BL1815N / BL1820B / BL1830B / BL1840B / BL1850B / BL1860B
Ladegerät	DC18RC / DC18RD / DC18RE / DC18SD / DC18SE / DC18SF / DC18SH / DC18WC

- Einige der oben aufgelisteten Akkus und Ladegeräte sind je nach Ihrem Wohngebiet eventuell nicht erhältlich.

⚠️ WARNUNG: Verwenden Sie nur die oben aufgeführten Akkus und Ladegeräte. Bei Verwendung irgendwelcher anderer Akkus und Ladegeräte besteht Verletzungs- und/oder Brandgefahr.

Symbole

Nachfolgend werden Symbole beschrieben, die für das Gerät verwendet werden können. Machen Sie sich unbedingt vor der Benutzung mit ihrer Bedeutung vertraut.



Betriebsanleitung lesen.



Ein repräsentativer Akku, der für dieses Produkt geeignet ist.



Nur für EU-Länder
Aufgrund des Vorhandenseins gefährlicher Komponenten in der Ausrüstung können Elektro- und Elektronik-Altgeräte, Akkumulatoren und Batterien sich negativ auf die Umwelt und die menschliche Gesundheit auswirken. Entsorgen Sie Elektro- und Elektronikgeräte oder Batterien nicht mit dem Hausmüll!
In Übereinstimmung mit der Europäischen Richtlinie über Elektro- und Elektronik-Altgeräte, Akkumulatoren und Batterien, verbrauchte Akkumulatoren und Batterien sowie ihrer Anpassung an nationales Recht sollten Elektro-Altgeräte, Batterien und Akkumulatoren gemäß den Umweltschutzbestimmungen getrennt gelagert und zu einer getrennten Sammelstelle für Siedlungsabfälle geliefert werden. Dies wird durch das am Gerät angebrachte Symbol der durchgestrichenen Abfalltonne auf Rädern angezeigt.

Vorgesehene Verwendung

Das Werkzeug ist für das Absaugen von Trockenstaub vorgesehen.

SICHERHEITSWARNUNGEN

Sicherheitswarnungen für Akku-Staubsauger

⚠️ WARNUNG: WICHTIG! Alle Sicherheitswarnungen und Anweisungen **VOR GEBRAUCH AUFMERKSAM LESEN**. Eine Missachtung der Warnungen und Anweisungen kann zu einem elektrischen Schlag, Brand und/oder schweren Verletzungen führen.

1. Das Gerät keinem Regen aussetzen. In Innenräumen aufbewahren.
2. Das Gerät darf nicht als Spielzeug benutzt werden. Wenn das Gerät von Kindern oder in deren Nähe benutzt wird, ist besondere Vorsicht geboten.
3. Nur gemäß der Beschreibung in dieser Anleitung benutzen. Nur vom Hersteller empfohlene Zusatzvorrichtungen verwenden.
4. Nicht mit beschädigtem Akku benutzen. Falls das Gerät nicht ordnungsgemäß funktioniert, fallen gelassen, beschädigt, im Freien liegen gelassen wurde oder ins Wasser gefallen ist, bringen Sie es zu einem Kundenzentrum.
5. Fassen Sie das Gerät nicht mit nassen Händen an.
6. Stecken Sie keine Gegenstände in die Öffnungen. Benutzen Sie das Gerät nicht mit einer blockierten Öffnung; halten Sie es frei von Staub, Fusseln, Haaren und Fremdkörpern, die den Luftstrom behindern können.
7. Halten Sie Haare, lose Kleidung, Finger und alle Körperteile von den Öffnungen und beweglichen Teilen fern.
8. Schalten Sie sämtliche Bedienelemente aus, bevor Sie den Akku abnehmen.
9. Lassen Sie bei der Reinigung von Treppen besondere Vorsicht walten.
10. Verwenden Sie das Gerät nicht zum Aufsaugen von brennbaren oder feuergefährlichen Flüssigkeiten, wie z. B. Benzin, und benutzen Sie es auch nicht in der Nähe solcher Flüssigkeiten.
11. Verwenden Sie nur das vom Hersteller gelieferte Ladegerät zum Aufladen.
12. Saugen Sie keine brennenden oder rauchenden Gegenstände auf, wie z. B. Zigaretten, Streichhölzer oder heiße Asche.
13. Benutzen Sie das Gerät nicht ohne angebrachten Staubsack und/oder Filter.
14. Laden Sie den Akku nicht im Freien.
15. Laden Sie den Akku nur mit dem vom Hersteller vorgeschriebenen Ladegerät. Ein Ladegerät, das für einen Akkutyp geeignet ist, kann bei Verwendung mit einem anderen Akku eine Brandgefahr darstellen.
16. Benutzen Sie Geräte nur mit den ausdrücklich vorgeschriebenen Akkus. Bei Verwendung irgendwelcher anderer Akkus besteht Verletzungs- und Brandgefahr.
17. Bewahren Sie den Akku bei Nichtgebrauch nicht zusammen mit Metallgegenständen, wie Büroklammern, Münzen, Schlüsseln, Nägeln, Schrauben, und anderen kleinen Metallteilen auf, welche die Kontakte kurzschließen können.
18. Bei Missbrauch kann Flüssigkeit aus dem Akku austreten. Vermeiden Sie Kontakt mit dieser Flüssigkeit. Falls Sie versehentlich mit der Flüssigkeit in Berührung kommen, spülen Sie die betroffenen Stellen mit Wasser ab.
19. Verwenden Sie keine Akkus oder Geräte, die beschädigt oder modifiziert sind. Beschädigte oder modifizierte Akkus können unvorhersehbares Verhalten zeigen, das zu einem Brand, einer Explosion oder Verletzungsgefahr führen kann.
20. Setzen Sie einen Akku oder ein Gerät nicht Feuer oder übermäßigen Temperaturen aus. Bei Einwirkung von Feuer oder Temperaturen über 130 °C kann es zu einer Explosion kommen.
21. Befolgen Sie alle Ladeanweisungen, und laden Sie den Akku bzw. das Gerät nicht außerhalb des in den Anweisungen angegebenen Temperaturbereichs. Wird der Ladevorgang unsachgemäß oder bei Temperaturen außerhalb des angegebenen Bereichs durchgeführt, kann es zu einer Beschädigung des Akkus und erhöhter Brandgefahr kommen.

BEWAHREN SIE DIESE ANLEITUNG AUF.

ZUSÄTZLICHE SICHERHEITSGESETZE

Dieses Gerät ist für Haushaltsgebrauch vorgesehen.

1. Lesen Sie diese Gebrauchsanleitung und die Gebrauchsanleitung des Ladegerätes vor der Benutzung aufmerksam durch.
2. Unterlassen Sie das Aufsaugen der folgenden Materialien:
 - Heiße Stoffe, die brennen oder rauchen (Zigaretten, Streichhölzer, Räucherstäbchen, Kerzen, heiße Asche), Funken und Metallstaub, der beim Schneiden oder Schleifen von Metall usw. entsteht.
 - Entflammare Flüssigkeiten (Kerosin, Benzin, Lösungsmittel wie Waschbenzin, Verdüner usw.)
 - Entflammables Material (Toner, Lack, Spray usw.)
 - Explosive oder pyrophore Stoffe (Nitroglycerin, Aluminium, Magnesium, Titan, Zink, roter Phosphor, gelber Phosphor, Zelluloid usw. sowie deren Staub, Gas oder Dampf)
 - Flüssigkeit, Öl, nasser Schmutz oder feuchte Abfälle, einschließlich Erbrochenem und Ausscheidungen
 - Harte Gegenstände mit scharfen Kanten (Holzspäne, Metalle, Steine, Gläser, Nägel, Nadeln, Rasierklingen oder Besteck)
 - Erstarrendes und leitfähiges feines Pulver (Metall- oder Kohlenstoffpulver)
 - Schäume wie Teppichreinigungsmittel usw. (sie können Explosionen oder Brände verursachen)
 - Große Mengen an Pulver (Mehl, Feuerlöschpulver usw.)
 - Stoffe, die toxische Symptome verursachen
 - Aggressive Chemikalien (Säuren, Laugen usw.)
 - Feines Bindepulver wie Zement
 - Feine Partikel wie Betonstaub
 - Trocknungsmittel
 - Asbest
 - PestizideSolche Handlungen können einen Brand, Verletzungen und/oder Sachschäden verursachen.
Um Ihre Exposition gegenüber diesen Chemikalien zu verringern, sollten Sie stets einen zugelassenen Atemschutz tragen, z. B. eine Staubmaske, die speziell dafür ausgelegt ist, mikroskopisch kleine Partikel herauszufiltern. Leiten Sie die Abluft von Ihrem Gesicht und Körper weg.
3. Brechen Sie den Betrieb sofort ab, wenn Sie irgendetwas Ungewöhnliches bemerken.

4. Falls Sie den Staubsauger fallen lassen oder anstoßen, überprüfen Sie ihn vor der Benutzung sorgfältig auf Risse oder Beschädigung.
5. Bringen Sie das Gerät nicht in die Nähe von Öfen oder anderen Wärmequellen.
6. Blockieren Sie nicht die Einlassöffnung oder die Belüftungsöffnungen.

BEWAHREN SIE DIESE ANLEITUNG AUF.

Wichtige Sicherheitsanweisungen für Akku

1. Lesen Sie vor der Benutzung des Akkus alle Anweisungen und Warnhinweise, die an (1) Ladegerät, (2) Akku und (3) Akkuwerkzeug angebracht sind.
2. Unterlassen Sie Zerlegen oder Manipulieren des Akkus. Es kann sonst zu einem Brand, übermäßiger Hitzeentwicklung oder einer Explosion kommen.
3. Falls die Betriebszeit beträchtlich kürzer geworden ist, stellen Sie den Betrieb sofort ein. Anderenfalls besteht die Gefahr von Überhitzung, möglichen Verbrennungen und sogar einer Explosion.
4. Falls Elektrolyt in Ihre Augen gelangt, waschen Sie sie mit sauberem Wasser aus, und begeben Sie sich unverzüglich in ärztliche Behandlung. Anderenfalls können Sie Ihre Sehkraft verlieren.
5. Der Akku darf nicht kurzgeschlossen werden:
 - (1) Die Kontakte dürfen nicht mit leitfähigem Material berührt werden.
 - (2) Lagern Sie den Akku nicht in einem Behälter zusammen mit anderen Metallgegenständen, wie z. B. Nägel, Münzen usw.
 - (3) Setzen Sie den Akku weder Wasser noch Regen aus.Ein Kurzschluss des Akkus verursacht starken Stromfluss, der Überhitzung, mögliche Verbrennungen und einen Defekt zur Folge haben kann.
6. Lagern und benutzen Sie das Werkzeug und den Akku nicht an Orten, an denen die Temperatur 50 °C erreichen oder überschreiten kann.
7. Versuchen Sie niemals, den Akku zu verbrennen, selbst wenn er stark beschädigt oder vollkommen verbraucht ist. Der Akku kann im Feuer explodieren.
8. Unterlassen Sie Nageln, Schneiden, Zerquetschen, Werfen, Fallenlassen des Akkus oder Schlagen des Akkus mit einem harten Gegenstand. Eine solche Handlung kann zu einem Brand, übermäßiger Hitzeentwicklung oder einer Explosion führen.
9. Benutzen Sie keine beschädigten Akkus.

10. **Die enthaltenen Lithium-Ionen-Akkus unterliegen den Anforderungen der Gefahrgut-Gesetzgebung.**
Für kommerzielle Transporte, z. B. durch Dritte oder Spediteure, müssen besondere Anforderungen zu Verpackung und Etikettierung beachtet werden.
Zur Vorbereitung des zu transportierenden Artikels ist eine Beratung durch einen Experten für Gefahrgut erforderlich. Bitte beachten Sie möglicherweise ausführlichere nationale Vorschriften. Überkleben oder verdecken Sie offene Kontakte, und verpacken Sie den Akku so, dass er sich in der Verpackung nicht umher bewegen kann.
11. **Entfernen Sie den Akku zum Entsorgen vom Werkzeug, und entsorgen Sie ihn an einem sicheren Ort. Befolgen Sie die örtlichen Vorschriften bezüglich der Entsorgung von Akkus.**
12. **Verwenden Sie die Akkus nur mit den von Makita angegebenen Produkten.** Das Einsetzen der Akkus in nicht konforme Produkte kann zu einem Brand, übermäßiger Hitzebildung, einer Explosion oder Auslaufen von Elektrolyt führen.
13. **Soll das Werkzeug längere Zeit nicht benutzt werden, muss der Akku vom Werkzeug entfernt werden.**
14. **Bei und nach dem Gebrauch kann der Akku heiß werden, was Verbrennungen oder Niedertemperaturverbrennungen verursachen kann. Beachten Sie die Handhabung von heißen Akkus.**
15. **Berühren Sie nicht den Anschlusskontakt des Werkzeugs unmittelbar nach dem Gebrauch, da er heiß genug werden kann, um Verbrennungen zu verursachen.**
16. **Achten Sie darauf, dass sich keine Späne, Staub oder Schmutz in den Anschlusskontakten, Löchern und Nuten des Akkus absetzen.** Es könnte sonst zu Erhitzung, Brandauslösung, Bersten und Funktionsstörungen des Werkzeugs oder des Akkus kommen, was zu Verbrennungen oder Personenschäden führen kann.
17. **Wenn das Werkzeug den Einsatz in der Nähe einer Hochspannungs-Stromleitung nicht unterstützt, benutzen Sie den Akku nicht in der Nähe einer Hochspannungs-Stromleitung.** Dies kann zu einer Funktionsstörung oder Betriebsstörung des Werkzeugs oder des Akkus führen.
18. **Halten Sie die Batterie von Kindern fern.**

DIESE ANWEISUNGEN AUFBEWAHREN.

⚠ VORSICHT: Verwenden Sie nur Original-Makita-Akkus. Die Verwendung von Nicht-Original-Makita-Akkus oder von Akkus, die abgeändert worden sind, kann zum Bersten des Akkus und daraus resultierenden Bränden, Personenschäden und Beschädigung führen. Außerdem wird dadurch die Makita-Garantie für das Makita-Werkzeug und -Ladegerät ungültig.

Hinweise zur Aufrechterhaltung der maximalen

Akku-Nutzungsdauer

1. **Laden Sie den Akku, bevor er vollkommen erschöpft ist. Schalten Sie das Werkzeug stets aus, und laden Sie den Akku, wenn Sie ein Nachlassen der Werkzeugleistung feststellen.**
2. **Unterlassen Sie erneutes Laden eines voll aufgeladenen Akkus. Überladen führt zu einer Verkürzung der Nutzungsdauer des Akkus.**
3. **Laden Sie den Akku bei Raumtemperatur zwischen 10 – 40 °C. Lassen Sie einen heißen Akku abkühlen, bevor Sie ihn laden.**
4. **Wenn Sie den Akku nicht benutzen, nehmen Sie ihn vom Werkzeug oder Ladegerät ab.**
5. **Der Akku muss geladen werden, wenn er lange Zeit (länger als sechs Monate) nicht benutzt wird.**

FUNKTIONSBESCHREIBUNG

⚠ VORSICHT: Vergewissern Sie sich vor der Durchführung von Einstellungen oder Funktionsprüfungen des Werkzeugs stets, dass das Werkzeug ausgeschaltet und der Akku abgenommen ist.

⚠ VORSICHT: Achten Sie beim Einsetzen des Akkus darauf, dass Sie sich nicht die Finger zwischen Staubsauger und Akku klemmen, wie in der Abbildung gezeigt. Einklemmen von Fingern kann Verletzungen verursachen.

► Abb.1

Anbringen und Abnehmen des Akkus

⚠ VORSICHT: Schalten Sie das Werkzeug stets aus, bevor Sie den Akku anbringen oder abnehmen.

⚠ VORSICHT: Halten Sie das Werkzeug und den Akku beim Anbringen oder Abnehmen des Akkus sicher fest. Wenn Sie das Werkzeug und den Akku nicht sicher festhalten, können sie Ihnen aus der Hand rutschen, was zu einer Beschädigung des Werkzeugs und des Akkus und zu Körperverletzungen führen kann.

Ziehen Sie den Akku zum Abnehmen vom Werkzeug ab, während Sie den Knopf an der Vorderseite des Akkus verschieben.

► **Abb.2:** 1. Rote Anzeige 2. Knopf 3. Akku

Richten Sie zum Anbringen des Akkus dessen Führungsfeder auf die Nut im Gehäuse aus, und schieben Sie den Akku hinein. Schieben Sie ihn vollständig ein, bis er mit einem leisen Klicken einrastet. Wenn Sie die rote Anzeige sehen können, wie in der Abbildung gezeigt, ist der Akku nicht vollständig verriegelt.

⚠ VORSICHT: Schieben Sie den Akku stets bis zum Anschlag ein, bis die rote Anzeige nicht mehr sichtbar ist. Anderenfalls kann er aus dem Werkzeug herausfallen und Sie oder umstehende Personen verletzen.

⚠ VORSICHT: Unterlassen Sie Gewaltanwendung beim Anbringen des Akkus. Falls der Akku nicht reibungslos hineingeht, ist er nicht richtig ausgerichtet.

Werkzeug/Akku-Schutzsystem

Das Werkzeug ist mit einem Werkzeug/Akku-Schutzsystem ausgestattet. Dieses System schaltet die Stromversorgung des Motors automatisch ab, um die Lebensdauer von Werkzeug und Akku zu verlängern. Das Werkzeug bleibt während des Betriebs automatisch stehen, wenn das Werkzeug oder der Akku einer der folgenden Bedingungen unterliegt.

Überlastung:

Das Werkzeug/der Akku wird auf eine Weise benutzt, die eine ungewöhnlich hohe Stromaufnahme bewirkt. Schalten Sie in dieser Situation das Werkzeug aus, und brechen Sie die Arbeit ab, die eine Überlastung des Werkzeugs verursacht hat. Schalten Sie dann das Werkzeug wieder ein, um neu zu starten.

Überhitzt:

Das Werkzeug/der Akku ist überhitzt. Lassen Sie das Werkzeug/den Akku in dieser Situation abkühlen, bevor Sie das Werkzeug wieder einschalten.

Niedrige Akkuspannung:

Die Akku-Restkapazität ist zu niedrig, und das Werkzeug funktioniert nicht. Nehmen Sie in dieser Situation den Akku ab, und laden Sie ihn auf.

Schutz gegen andere Ursachen:

Das Schutzsystem ist auch für andere Ursachen ausgelegt, die eine Beschädigung des Werkzeugs bewirken könnten, und ermöglicht automatisches Anhalten des Werkzeugs. Führen Sie alle folgenden Schritte aus, um die Ursachen zu beseitigen, wenn das Werkzeug zu einem vorübergehenden Stillstand oder Betriebsstopp gekommen ist.

1. Schalten Sie das Werkzeug aus und wieder ein, um es neu zu starten.
2. Laden Sie den/die Akku(s) auf, oder tauschen Sie ihn/sie gegen einen aufgeladenen Akku/aufgeladene Akkus aus.
3. Lassen Sie das Werkzeug und den/die Akku(s) abkühlen.

Falls die Wiederherstellung des Schutzsystems keine Besserung bringt, wenden Sie sich an Ihr lokales Makita-Servicecenter.

Anzeigen der Akku-Restkapazität

Nur für Akkus mit Anzeige

► **Abb.3:** 1. Anzeigelampen 2. Prüftaste

Drücken Sie die Prüftaste am Akku, um die Akku-Restkapazität anzuzeigen. Die Anzeigelampen leuchten wenige Sekunden lang auf.

Anzeigelampen			Restkapazität
Erleuchtet	Aus	Blinkend	
■ ■ ■ ■			75% bis 100%
■ ■ ■ □			50% bis 75%
■ ■ □ □			25% bis 50%
■ □ □ □			0% bis 25%
◻ □ □ □		◻ □ □ □	Den Akku aufladen.
■ ■ □ □		◻ □ □ □	Möglicherweise liegt eine Funktionsstörung im Akku vor.
◻ □ □ □		■ ■ □ □	

HINWEIS: Abhängig von den Benutzungsbedingungen und der Umgebungstemperatur kann die Anzeige geringfügig von der tatsächlichen Kapazität abweichen.

HINWEIS: Die erste (äußerste linke) Anzeigelampe blinkt, wenn das Akku-Schutzsystem aktiv ist.

Schalterfunktion

► **Abb.4:** 1. Saugkraft-Umschalttaste 2. EIN/AUS-Taste

Drücken Sie zum Einschalten des Staubsaugers einfach die EIN/AUS-Taste. Drücken Sie zum Ausschalten die EIN/AUS-Taste erneut.

Durch Drücken der Saugkraft-Umschalttaste können Sie die Saugkraft des Staubsaugers in vier Stufen umschalten. Mit jedem Drücken dieser Taste werden die Modi Leise/Normal/Hoch/Max in einem Zyklus wiederholt.

Stufe	Anzeige	Modus
1	☰	Leisemodus
2	☷	Normaldrehzahlmodus
3	☶	Hochdrehzahlmodus
4	☵	Maximaldrehzahlmodus

HINWEIS: Sie können die Saugkraft vor dem Einschalten des Staubsaugers ändern.

HINWEIS: Der Staubsauger beginnt den Betrieb mit der gleichen Saugkraft wie beim letzten Betrieb.

Einschalten der Lampe

⚠ VORSICHT: Blicken Sie nicht direkt in die Lampe oder die Lichtquelle.

Um die Lampe einzuschalten, drücken Sie die Saugkraft-Umschalttaste. Die Lampe erlischt nach ungefähr 10 Sekunden. Während des Betriebs des Staubsaugers leuchtet die Lampe. Die Lampe erlischt ungefähr 10 Sekunden nach dem Stoppen des Betriebs.

HINWEIS: Wenn die Akku-Restkapazität niedrig wird, beginnt die Lampe zu blinken. Der Zeitpunkt, zu dem die Lampe zu blinken beginnt, hängt von der Temperatur am Arbeitsplatz und dem Zustand des Akkus ab.

► **Abb.5:** 1. Saugkraft-Umschalttaste 2. EIN/AUS-Taste 3. Lampe

MONTAGE

⚠ VORSICHT: Vergewissern Sie sich vor der Ausführung von Arbeiten am Werkzeug stets, dass das Werkzeug ausgeschaltet und der Akku abgenommen ist.

Beschreibung der Teile

Sonderzubehör

Hochleistungsfilter, Strebe und Schwammfilter

► **Abb.6:** 1. Kapsel 2. Hochleistungsfilter 3. Strebe 4. Schwammfilter

Vorfilter oder Hochleistungsfilter und HEPA-Filter

► **Abb.7:** 1. Kapsel 2. Vorfilter 3. Hochleistungsfilter 4. HEPA-Filter

ANMERKUNG: Unterlegen Sie den Hochleistungsfilter nicht mit einem optionalen Filter (Vliestuch). Die Filter könnten sonst nicht aus dem Staubsauger entfernt werden.

HINWEIS: Installieren Sie keinen optionalen Filter (Vliestuch) zwischen HEPA-Filter und Vorfilter. Die Saugleistung kann sich verringern.

HINWEIS: Benutzen Sie immer den Hochleistungsfilter, der mit einer originalen Strebe umrahmt ist, wenn Sie ihn auf den HEPA-Filter aufsetzen.

► **Abb.8:** 1. Hochleistungsfilter 2. Strebe (konzipiert für Hochleistungsfilter)

Staubentleerung

⚠ VORSICHT: Leeren Sie den Staubsauger, bevor er voll wird oder die Saugleistung nachlässt.

⚠ VORSICHT: Entleeren Sie auch unbedingt den Staub im Staubsauger selbst. Anderenfalls kann sich der Filter zusetzen, oder der Motor kann beschädigt werden.

Um den am Filter in der Kapsel haftenden Staub abzuschütteln, klopfen Sie 4- bis 5-mal mit Ihrer Hand auf die Kapsel.

► **Abb.9:** 1. Kapsel

Richten Sie den Saugeinlass nach unten, drehen Sie die Kapsel in Richtung des Pfeils in der Abbildung, und ziehen Sie die Kapsel langsam und gerade ab.

► **Abb.10:** 1. Kapsel 2. Saugeinlass

HINWEIS: Halten Sie einen Müllsack unter die Kapsel, da beim Öffnen der Kapsel Staub herausfallen kann.

Entfernen Sie angesammelten Staub aus dem Innenraum der Kapsel und des Hochleistungsfilters.

► **Abb.11:** 1. Kapsel 2. Hochleistungsfilter

Drehen Sie den Hochleistungsfilter in Pfeilrichtung, um die Sicherungslippe von der Staubsaugereinheit zu lösen, und ziehen Sie dann den Filter ab.

► **Abb.12:** 1. Sicherungslippe

HINWEIS: Wenn Sie den Vorfilter verwenden, befolgen Sie auch das obige Verfahren.

Entleeren Sie den Feinstaub, und klopfen Sie den Hochleistungsfilter leicht aus, um Staub abzuschütteln.

Zusammenbau

Schließen Sie den Hochleistungsfilter an. Drehen Sie dabei den Hochleistungsfilter so, dass die Sicherungslippe fest in der Staubsaugereinheit verankert ist.

► **Abb.13:** 1. Hochleistungsfilter

► **Abb.14:** 1. Sicherungslippe

ANMERKUNG: Vergewissern Sie sich vor der Benutzung des Staubsaugers stets, dass der Hochleistungsfilter korrekt eingesetzt ist. Falls er nicht korrekt eingesetzt ist, dringt Staub in das Motorgehäuse ein und verursacht eine Motorstörung. Falls das Problem wie später beschrieben auftritt, ist der Hochleistungsfilter nicht korrekt eingesetzt. Setzen Sie ihn korrekt ein, um das Problem zu beheben.

Bringen Sie die Kapsel an. Richten Sie die Markierung an der Kapsel auf die Markierung am Handgriff aus, und drehen Sie dann die Kapsel fest in Pfeilrichtung, bis sie gesichert ist.

► **Abb.15:** 1. Markierung 2. Handgriff 3. Kapsel

HINWEIS: Entfernen Sie den Staub stets rechtzeitig, da die Saugleistung verringert wird, wenn sich zu viel Staub im Staubsauger befindet.

Problemeispiele

Die Sicherungslippe des Hochleistungsfilters ist nicht fest in der Nut des Staubsaugergehäuses verankert.

► **Abb.16:** 1. Sicherungslippe 2. Nut des Staubsaugergehäuses

Anbringen oder Abnehmen von Strebe/HEPA-Filter

Sonderzubehör

Für Strebe und Schwammfilter

Um die Strebe zu entfernen, drücken Sie den unteren Teil der Säulen der Strebe mit Ihren Fingern hoch, und lösen Sie ihre Nut von dem Vorsprung am Staubsauger. Entfernen Sie anschließend den Schwammfilter.

► **Abb.17:** 1. Strebe 2. Schwammfilter

Zum Anbringen richten Sie die Nuten an der Strebe auf den Vorsprung am Staubsauger aus, und drücken Sie die Strebe hinein, bis sie einrastet.

Führen Sie den Schwammfilter zwischen den Säulen ein, und setzen Sie ihn in seine Ausgangsposition ein.

Für den HEPA-Filter

Wenn Sie den HEPA-Filter einsetzen, richten Sie die Nut des HEPA-Filters auf den Vorsprung des Staubsaugers aus. Setzen Sie dann den Vorfilter oder den Hochleistungsfilter auf den HEPA-Filter, und drehen Sie ihn, um ihn zu sichern. Zum Abnehmen ist das Anbringungsverfahren umgekehrt anzuwenden.

► **Abb.18:** 1. HEPA-Filter 2. Vorfilter

► **Abb.19:** 1. HEPA-Filter 2. Hochleistungsfilter

BETRIEB

⚠ VORSICHT: Bringen Sie Ihr Gesicht beim Betrieb des Staubsaugers nicht in die Nähe der Ventilationsöffnung. Falls Fremdkörper in die Augen von Personen oder Tieren gelangen werden, kann dies zu Verletzungen führen.

Montieren und Demontieren von Saugergeräteaufsätzen

⚠ VORSICHT: Prüfen Sie nach der Anbringung von Aufsätzen, ob sie sicher angebracht sind. Falls die Aufsätze unvollständig angebracht sind, können sie sich lösen und Personenschäden verursachen.

⚠ VORSICHT: Achten Sie beim Abnehmen des Aufsatzes darauf, dass Sie mit Ihrer Hand nicht gegen eine Wand usw. schlagen.

Bei Verwendung des Aufsatzes mit Verriegelungsfunktion

Um den Aufsatz anzubringen, führen Sie ihn in den Saugeinlass des Staubsaugers ein, bis er einrastet. Vergewissern Sie sich, dass der Aufsatz verriegelt ist.

► **Abb.20:** 1. Saugeinlass 2. Aufsatz mit Verriegelungsfunktion 3. Raste 4. Entriegelungsknopf

ANMERKUNG: Achten Sie beim Anbringen des Aufsatzes mit Verriegelungsfunktion darauf, dass der Entriegelungsknopf am Staubsauger auf die Raste am Aufsatz ausgerichtet ist. Falls sie nicht ausgerichtet sind, wird der Aufsatz nicht verriegelt und kann sich vom Staubsauger lösen.

Zum Abnehmen des Aufsatzes ziehen Sie ihn, während Sie den Entriegelungsknopf drücken.

► **Abb.21:** 1. Entriegelungsknopf 2. Aufsatz mit Verriegelungsfunktion

Bei Verwendung des Aufsatzes ohne Verriegelungsfunktion

⚠ VORSICHT: Um den Aufsatz ohne Verriegelungsfunktion anzuschließen, führen Sie ihn unter gleichzeitigem Drehen in Pfeilrichtung ein, um einwandfreie Verbindung während des Gebrauchs zu gewährleisten. Um den Aufsatz abzutrennen, ziehen Sie ihn unter gleichzeitigem Drehen in Pfeilrichtung ab. Wird der Aufsatz in die entgegengesetzte Richtung gedreht, kann sich die Kapsel lockern.

► **Abb.22**

Reinigen (Saugen)

Düse

Bringen Sie die Düse an, um Tische, Pulte, Möbelstücke usw. abzusaugen. Die Düse lässt sich leicht aufstecken.

► **Abb.23:** 1. Düse

Düse + Verlängerungsrohr (gerades Rohr)

Das Verlängerungsrohr wird zwischen Düse und Staubsauger angebracht. Diese Anordnung ist praktisch, um den Fußboden im Stehen zu saugen.

► **Abb.24:** 1. Staubsauger-Hauptteil
2. Verlängerungsrohr (gerades Rohr)
3. Düse

Spitzdüse

Bringen Sie die Spitzdüse an, um Ecken und Ritzen eines Autos oder Möbelstücks zu reinigen.

► **Abb.25:** 1. Spitzdüse 2. Staubsauger-Hauptteil

Sie können die Spitzdüse im Düsenhalter aufbewahren.

► **Abb.26:** 1. Düsenhalter 2. Spitzdüse

⚠ VORSICHT: Achten Sie darauf, dass keine Finger zwischen der Spitzdüse und dem Düsenhalter eingeklemmt werden. Einklemmen von Fingern kann Verletzungen verursachen.

Spitzdüse + Verlängerungsrohr (gerades Rohr)

Benutzen Sie diese Anordnung in engen Zwischenräumen, in die der Staubsauger selbst nicht hineinpasst, oder an schwer erreichbaren hohen Orten.

► **Abb.27:** 1. Spitzdüse 2. Verlängerungsrohr (gerades Rohr) 3. Staubsauger-Hauptteil

Staubsaugen ohne Düse

Sie können Pulver und Staub ohne Düse aufsaugen.

► **Abb.28**

Um Staub im Stehen von einem Fußboden aufzusaugen, ist es praktisch, das Verlängerungsrohr am Staubsauger anzubringen.

► **Abb.29:** 1. Verlängerungsrohr (gerades Rohr)

WARTUNG

⚠ VORSICHT: Vergewissern Sie sich vor der Durchführung von Inspektions- oder Wartungsarbeiten stets, dass das Werkzeug ausgeschaltet und der Akku abgenommen ist.

Um die SICHERHEIT und ZUVERLÄSSIGKEIT dieses Produkts zu gewährleisten, sollten Reparaturen und andere Wartungs- oder Einstellarbeiten nur von Makita-Vertragswerkstätten oder Makita-Kundendienstzentren unter ausschließlicher Verwendung von Makita-Originalersatzteilen ausgeführt werden.

Nach dem Gebrauch

⚠ VORSICHT: Wird der Staubsauger ohne irgendeine Stütze gegen eine Wand gelehnt, kann er umkippen, was zu Personenschäden oder einer Beschädigung des Staubsaugers führen kann.

► **Abb.30**

Reinigen

⚠ VORSICHT: Reinigen Sie die Filter, wenn sie verstopft sind. Fortgesetzter Gebrauch im verstopften Zustand kann zu Erhitzung oder Brand führen.

ANMERKUNG: Verwenden Sie auf keinen Fall Benzin, Waschbenzin, Verdüner, Alkohol oder dergleichen. Solche Mittel können Verfärbung, Verformung oder Rissbildung verursachen.

ANMERKUNG: Blasen Sie am Staubsauger und an den Filtern haftenden Staub nicht mit einem Druckluftspray ab. Dadurch wird der Staub in das Gehäuse geblasen und ein Ausfall verursacht.

ANMERKUNG: Nachdem Sie die Filter gewaschen haben, lassen Sie sie vor Gebrauch gründlich trocknen. Unzureichend getrocknete Filter können schlechte Saugleistung verursachen und die Lebensdauer des Motors verkürzen.

ANMERKUNG: Nachdem Sie die Filter und den Schwammfilter gereinigt haben, setzen Sie sie vor Gebrauch unbedingt wieder ein. Wird der Staubsauger ohne Filter und Schwammfilter benutzt, kann Staub in das Motorgehäuse eindringen und eine Funktionsstörung verursachen.

Staubsauger-Hauptteil

Wischen Sie die Außenseite (Staubsauger-Hauptteil) des Staubsaugers von Zeit zu Zeit mit einem mit Seifenwasser getränkten Tuch ab.

Putzen Sie auch die Saugöffnung und den Filtermontagebereich aus.

► **Abb.31**

Hochleistungsfilter

Waschen Sie den Filter in Seifenwasser aus, wenn er mit Staub zugesetzt ist und die Saugleistung nachlässt. Lassen Sie ihn vor der Benutzung gründlich trocknen.

► **Abb.32**

HEPA-Filter

Sonderzubehör

ANMERKUNG: Unterlassen Sie Abreiben oder Abkratzen des HEPA-Filters mit harten Gegenständen, wie z. B. einer Bürste und einer Kratze.

Ein verstopfter HEPA-Filter verursacht schlechte Saugleistung. Säubern Sie den Filter von Zeit zu Zeit.

Waschen Sie den HEPA-Filter gelegentlich in Wasser aus, spülen Sie ihn ab, und lassen Sie ihn vor Gebrauch im Schatten trocknen. Waschen Sie den Filter niemals in einer Waschmaschine.

► **Abb.33**

Schwammfilter

Wenn der Schwammfilter verschmutzt wird, reinigen Sie ihn wie folgt.

1. Entfernen Sie Filter, die die Strebe abdecken.
2. Ziehen Sie den Schwammfilter zwischen den Säulen heraus.
3. Reinigen Sie den Schwammfilter durch Ausklopfen oder Waschen. Wenn Sie ihn waschen, lassen Sie ihn vor Gebrauch gründlich trocknen.
4. Führen Sie den Schwammfilter zwischen den Säulen ein, und setzen Sie ihn in seine Ausgangsposition ein. Vergewissern Sie sich, dass die Unterkanten der Säulen den Schwammfilter niederhalten, und dass kein Spalt zwischen dem Schwammfilter und der Saugöffnung vorhanden ist.

► **Abb.34:** 1. Schwammfilter 2. Unterkante der Säule

Wandhalterung für Akku-Staubsauger

Sonderzubehör

HINWEIS: Die Schraube für die Montage des Halters ist nicht im Lieferumfang enthalten. Besorgen Sie eine für das Einschraubmaterial passende Schraube.

Befestigen Sie die Wandhalterung für Akku-Staubsauger an einer festen Wand, einem Träger oder einer Säule aus Holz, an der die Wandhalterung für Akku-Staubsauger einwandfrei gesichert werden kann. Vergewissern Sie sich vor dem Aufhängen des Staubsaugers immer, dass die Wandhalterung für Akku-Staubsauger sicher befestigt ist.

► **Abb.35:** 1. Wandhalterung für Akku-Staubsauger

⚠ VORSICHT: Unterlassen Sie gewaltsames Aufhängen des Staubsaugers an der Wandhalterung oder Aufhängen anderer Geräte außer dem Staubsauger.

Fehlersuche

Bevor Sie eine Reparatur anfordern, überprüfen Sie bitte die folgenden Punkte.

Symptom	Prüfbereich	Abhilfemaßnahmen
Schwache Saugkraft	Ist die Kapsel mit Staub gefüllt?	Entleeren Sie den Staub aus der Kapsel.
	Ist der Filter verstopft?	Reinigen oder waschen Sie den Filter.
	Ist der Akku entladen?	Laden Sie den Akku auf.
Gerät funktioniert nicht	Ist der Akku entladen?	Laden Sie den Akku auf.
Geräusche und Vibrationen	Ist der Filter verstopft?	Reinigen oder waschen Sie den Filter.
	Ist die Düse, das Rohr oder der Saugeinlass des Gerätes verstopft?	Entfernen Sie die feststehenden Gegenstände in der Düse, dem Rohr oder dem Saugeinlass des Gerätes.
	Ist die Düse/der Rohreinlass blockiert?	Blockieren Sie nicht die Düse/den Rohreinlass.

⚠ VORSICHT: Versuchen Sie nicht, den Staubsauger selbst zu reparieren.

SONDERZUBEHÖR

⚠ VORSICHT: Die folgenden Zubehörteile oder Vorrichtungen werden für den Einsatz mit dem in dieser Anleitung beschriebenen Makita-Werkzeug empfohlen. Die Verwendung anderer Zubehörteile oder Vorrichtungen kann eine Verletzungsgefahr darstellen. Verwenden Sie Zubehörteile oder Vorrichtungen nur für ihren vorgesehenen Zweck.

Wenn Sie weitere Einzelheiten bezüglich dieser Zubehörteile benötigen, wenden Sie sich bitte an Ihre Makita-Kundendienststelle.

- Verlängerungsrohr (gerades Rohr)
- Düse
- Düse für Teppich
- Regalbürste
- Spitzdüse
- Rundbürste
- Flexibler Schlauch
- Filter (Vliestuch)
- Vorfilter
- Hochleistungsfilter
- HEPA-Filter
- Sitzdüse
- Spaltendüse
- Wandhalterung für Akku-Staubsauger
- Zykloneinheit
- Zyklaufsatz
- Werkzeugtasche
- Original-Makita-Akku und -Ladegerät

HINWEIS: Manche Teile in der Liste können als Standardzubehör im Werkzeugsatz enthalten sein. Sie können von Land zu Land unterschiedlich sein.

Zyklonaufsatz

Sonderzubehör

- **Abb.36:**
1. Entriegelungsknopf
 2. Raste
 3. Verlängerungsrohr (gerades Rohr)
 4. Zyklaufsatz
 5. Saugeinlass

Info zum Zyklaufsatz

Wird der Staubsauger mit installiertem Zyklaufsatz verwendet, so wird die Staubmenge, die in die Kapsel gelangt, reduziert, was dazu beiträgt, eine Abschwächung der Saugkraft zu verhindern. Außerdem wird die Reinigung nach dem Gebrauch ebenfalls vereinfacht.

⚠ VORSICHT: Vergewissern Sie sich vor der Ausführung von Arbeiten am Werkzeug stets, dass das Werkzeug ausgeschaltet und der Akku abgenommen ist. Wird der Akku eingesetzt gelassen, kann der Staubsauger unerwartet anlaufen, was zu Verletzungen führen kann.

⚠ VORSICHT: Reinigen Sie den Netzfilter des Zyklaufsatzes und die Filter der Staubsaugereinheit, wenn sie verstopft werden. Fortgesetzter Gebrauch im verstopften Zustand kann zu Erhitzung oder Rauchbildung führen.

ANMERKUNG: Verwenden Sie den Staubsauger bei angebrachtem Zyklaufsatz nicht im horizontalen oder nach oben gerichteten Zustand. Anderenfalls kann der Netzfilter verstopft werden.

ANMERKUNG: Benutzen Sie den Staubsauger selbst bei Verwendung des Zyklaufsatzes immer mit installierten Filtern. Wird der Staubsauger ohne die Filter benutzt, kann es zu einer Funktionsstörung des Motors kommen.

HINWEIS: Stellen Sie vor Gebrauch sicher, dass Zyklonaufsatz, Staubsauger und Verlängerungsrohr (gerades Rohr) einwandfrei verriegelt sind.

HINWEIS: Entleeren Sie den Staubsammelbehälter des Zyklonaufsatzes und die Kapsel des Staubsaugers, wenn Staub sich angesammelt hat. Fortgesetzter Gebrauch führt zu einer Abschwächung der Saugkraft.

HINWEIS: Sie können den Zyklonaufsatz auch ohne Verriegelungsfunktion verwenden.

HINWEIS: Nehmen Sie zum Montieren oder Demontieren des Zyklonaufsatzes auf den Abschnitt „Montieren und Demontieren von Sauggeräteaufsätzen“ Bezug.

Staubentleerung

Wenn Staub sich bis zur Voll-Linie des Staubsammelbehälters angesammelt hat, entsorgen Sie den Staub nach dem folgenden Verfahren.

1. Halten Sie den Staubsammelbehälter mit festem Griff, während Sie die zwei Knöpfe gedrückt halten, und entfernen Sie den Staubsammelbehälter.

► **Abb.37:** 1. Voll-Linie 2. Staubsammelbehälter
3. Knopf (zwei Stellen) 4. Netzfilter

2. Entsorgen Sie den Staub im Staubsammelbehälter, und entfernen Sie jeglichen an der Oberfläche des Netzfilters haftenden Staub und Pulver.

3. Führen Sie den Staubsammelbehälter vollständig ein, bis die zwei Knöpfe mit einem Klicken einrasten.

► **Abb.38:** 1. Staubsammelbehälter 2. Knopf (zwei Stellen)

⚠ VORSICHT: Achten Sie beim Zusammenbauen des Staubsammelbehälters darauf, dass Sie sich nicht die Finger klemmen.

HINWEIS: Stellen Sie vor dem erneuten Starten des Betriebs sicher, dass Zyklonaufsatz, Staubsauger und Verlängerungsrohr (gerades Rohr) einwandfrei verriegelt sind.

HINWEIS: Falls die Saugkraft selbst nach der Entsorgung des Staubs und der Reinigung des Netzfilters nicht wiederhergestellt wird, prüfen Sie, ob Staub sich in der Kapsel des Staubsaugers angesammelt hat, oder ob eine Verstopfung aufgetreten ist.

HINWEIS: Beim Entsorgen von dem Zyklonaufsatz kann Staub hochfliegen. Achten Sie darauf, dass kein Staub in Ihre Augen gelangt.

Reinigen

⚠ VORSICHT: Trocknen Sie den Zyklonaufsatz nach dem Waschen gründlich ab, bevor Sie ihn benutzen. Unzureichend getrocknete Komponenten können einen elektrischen Schlag oder eine Beschädigung des Gerätes verursachen.

Wenn der Staubsammelbehälter schmutzig wird oder der Netzfilter verstopft ist, entfernen Sie die Teile, und waschen Sie sie mit Wasser. (Angaben zum Demontageverfahren finden Sie unter „Staubentleerung“.)

Lassen Sie die Teile gründlich trocknen, bevor Sie sie wieder installieren und benutzen.

► **Abb.39:** 1. Staubsammelbehälter 2. Netzfilter

Wenn der Netzfilter stark verschmutzt wird, reinigen Sie ihn nach den folgenden Verfahren.

1. Drehen Sie den Netzfilter in Pfeilrichtung, und entfernen Sie ihn bei entriegelten Rasten.

► **Abb.40:** 1. Netzfilter 2. Raste

2. Entfernen Sie den Staub am Netzfilter, und waschen Sie ihn dann mit Wasser. Lassen Sie ihn danach gründlich trocknen.

3. Führen Sie den Netzfilter in die Basis ein, während die Rasten auf den Anschluss ausgerichtet sind. Drehen Sie den Netzfilter in Pfeilrichtung, bis die Rasten mit einem Klick einrasten. Vergewissern Sie sich, dass der Netzfilter sicher installiert ist.

► **Abb.41:** 1. Netzfilter 2. Raste 3. Anschluss

AVVERTENZA

- Questo elettrodomestico può venire utilizzato dai bambini dagli 8 anni in su, nonché da persone con capacità fisiche, sensoriali o mentali ridotte, o prive di esperienza o preparazione, qualora vengano fornite loro supervisione o istruzioni relative all'utilizzo in sicurezza dell'elettrodomestico e comprendano i pericoli che comporta.
- I bambini non devono giocare con l'elettrodomestico. La pulizia e la manutenzione da parte dell'utente non devono essere effettuate dai bambini senza supervisione.
- Per il riferimento sul tipo di batteria, vedere il capitolo "DATI TECNICI".
- Per istruzioni su come rimuovere o installare la batteria, vedere la sezione "Installazione o rimozione della cartuccia della batteria".
- Quando si intende smaltire la cartuccia della batteria, rimuoverla dall'utensile e smaltirla in un luogo sicuro. Attenersi alle normative locali relative allo smaltimento della batteria.
- Se l'utensile non viene utilizzato per un periodo di tempo prolungato, la batteria deve essere rimossa dall'utensile.
- Non cortocircuitare la cartuccia della batteria.
- Per i dettagli appropriati relativi alle precauzioni durante la manutenzione da parte dell'utente, vedere il capitolo "MANUTENZIONE".

DATI TECNICI

Modello:		DCL284F
Capacità		730 mL
Utilizzo continuativo (con batteria BL1830B)	1 (modalità silenziosa)	Circa 38 min
	2 (modalità a velocità normale)	Circa 21 min
	3 (modalità ad alta velocità)	Circa 15 min
	4 (modalità a velocità massima)	Circa 8 min
Lunghezza complessiva (con tubo, bocchetta e batteria BL1830B)		1.066 mm
Tensione nominale		18 V CC
Peso netto		1,3 - 1,7 kg

- A causa del nostro programma continuativo di ricerca e sviluppo, i dati tecnici sono soggetti a modifiche senza preavviso.
- I dati tecnici possono variare da nazione a nazione.
- Il peso non comprende gli accessori ma comprende la cartuccia della batteria o le cartucce delle batterie. Nella tabella sono indicati il peso combinato minimo e massimo dell'apparecchio insieme alla cartuccia della batteria o alle cartucce delle batterie.

Cartuccia della batteria e caricabatterie applicabili

Cartuccia della batteria	BL1815N / BL1820B / BL1830B / BL1840B / BL1850B / BL1860B
Caricabatterie	DC18RC / DC18RD / DC18RE / DC18SD / DC18SE / DC18SF / DC18SH / DC18WC

- Alcune cartucce delle batterie e alcuni caricabatterie elencati sopra potrebbero non essere disponibili a seconda della propria area geografica di residenza.

⚠ AVVERTIMENTO: Utilizzare solo le cartucce delle batterie e i caricabatterie elencati sopra. L'utilizzo di altre cartucce delle batterie e di altri caricabatterie potrebbe causare lesioni personali e/o un incendio.

Simboli

Le figure seguenti mostrano i simboli utilizzati per l'apparecchio. Accertarsi di comprenderne il significato prima dell'uso.



Leggere il manuale d'uso.



Una batteria rappresentativa idonea per questo prodotto.



Solo per le nazioni dell'EU
A causa della presenza di componenti pericolosi nelle apparecchiature, i rifiuti di apparecchiature elettriche ed elettroniche, accumulatori e batterie potrebbero produrre un impatto negativo sull'ambiente e sulla salute umana.
Non smaltire elettrodomestici elettrici ed elettronici o batterie insieme ai rifiuti domestici!
In conformità alla direttiva europea sui rifiuti di apparecchiature elettriche ed elettroniche (RAEE), sugli accumulatori e le batterie, nonché sui rifiuti di accumulatori e batterie, e al suo adattamento alle normative nazionali, i rifiuti di apparecchiature elettriche ed elettroniche, batterie e accumulatori vanno conservati separatamente e conferiti a un punto di raccolta separato per i rifiuti comunali, operando in conformità alle normative per la protezione dell'ambiente.
Tale requisito viene indicato mediante il simbolo del bidone della spazzatura con ruote barrato apposto sull'apparecchio.

Utilizzo previsto

Questo utensile è progettato per la raccolta delle polveri asciutte.

AVVERTENZE DI SICUREZZA

Avvertenze relative alla sicurezza dell'aspiratore a batteria

AVVERTIMENTO: IMPORTANTE! LEGGERE CON ATTENZIONE tutte le avvertenze di sicurezza e tutte le istruzioni PRIMA DELL'USO. La mancata osservanza delle avvertenze e delle istruzioni potrebbe risultare in scosse elettriche, incendi e/o gravi lesioni personali.

1. **Non esporlo alla pioggia. Conservarlo al chiuso.**
2. **Non consentirne l'utilizzo come giocattolo.** Qualora venga utilizzato da o in prossimità di bambini, è necessaria una stretta sorveglianza.
3. **Utilizzarlo esclusivamente nelle modalità descritte nel presente manuale.** Utilizzare esclusivamente gli accessori consigliati dal produttore.

4. **Non utilizzarlo con una batteria danneggiata.** Qualora l'elettrodomestico non funzioni come previsto, sia caduto, si sia danneggiato, sia rimasto all'aperto o sia caduto in acqua, portarlo a un centro di assistenza.
5. **Non maneggiare l'elettrodomestico con le mani bagnate.**
6. **Non inserire alcun oggetto nelle aperture.** Non utilizzarlo con alcuna apertura ostruita; tenerlo libero da polvere, lanugine, capelli e qualsiasi cosa possa ridurre il flusso dell'aria.
7. **Tenere i capelli, gli indumenti abbondanti, le dita e tutte le parti del corpo lontani dalle aperture e dalle parti mobili.**
8. **Disattivare tutti i controlli prima di rimuovere la batteria.**
9. **Fare particolarmente attenzione durante la pulizia delle scale.**
10. **Non utilizzarlo per aspirare sostanze infiammabili o combustibili, ad esempio la benzina, o in ubicazioni in cui potrebbero essere presenti.**
11. **Per la ricarica, utilizzare esclusivamente il caricabatterie fornito dal produttore.**
12. **Non aspirare oggetti che brucino o emettano fumo, quali sigarette, fiammiferi o ceneri calde.**
13. **Non utilizzarlo senza il sacchetto polveri e/o i filtri installati.**
14. **Non caricare la batteria all'aperto.**
15. **Ricaricarla esclusivamente con il caricabatterie specificato dal produttore.** Un caricabatterie idoneo a un tipo di batteria potrebbe creare un rischio di incendio, laddove venga utilizzato con una batteria di tipo diverso.
16. **Utilizzare gli elettrodomestici esclusivamente con le batterie specificamente designate.** L'utilizzo di qualsiasi altra batteria potrebbe comportare il rischio di lesioni personali e incendi.
17. **Quando la batteria non è in uso, tenerla lontana da oggetti metallici, quali graffette, monete, chiavi, chiodi, viti o altri piccoli oggetti metallici, che possono creare un contatto da un terminale all'altro.**
18. **In condizioni di uso improprio, dalla batteria potrebbe venire espulso del liquido; evitare il contatto con tale liquido.** In caso di contatto accidentale con il liquido, lavare abbondantemente con acqua.
19. **Non utilizzare una batteria o un elettrodomestico che siano danneggiati o che siano stati modificati.** Batterie danneggiate o modificate potrebbero mostrare un comportamento imprevedibile che può risultare in incendi, esplosioni o nel rischio di lesioni personali.
20. **Non esporre una batteria o un elettrodomestico al fuoco o a temperature eccessive.** L'esposizione al fuoco o a temperature superiori ai 130 °C potrebbe causare un'esplosione.
21. **Attenersi a tutte le istruzioni relative alla carica e non caricare la batteria o l'elettrodomestico al di fuori della gamma di temperature specificata nelle istruzioni.** Una carica inappropriata o a temperature al di fuori della gamma specificata potrebbe danneggiare la batteria e incrementare il rischio di incendio.

CONSERVARE LE PRESENTI ISTRUZIONI.

REGOLE AGGIUNTIVE PER LA SICUREZZA

Questo elettrodomestico è progettato per l'utilizzo domestico.

1. Leggere attentamente il presente manuale d'uso e il manuale d'uso del caricabatterie prima dell'uso.
2. **Non aspirare i materiali seguenti:**
 - Sostanze molto calde che stiano bruciando o fumando (sigarette, fiammiferi, bastoncini di incenso, candele, ceneri bollenti), scintille e polveri metalliche generate dal taglio o dalla smerigliatura di metalli, e così via.
 - Liquidi infiammabili (kerosene, benzina, solventi quali benzina per pulizia, diluenti, e così via)
 - Materiali infiammabili (toner, vernice, spray, e così via)
 - Sostanze esplosive o piroforiche (nitroglicerina, alluminio, magnesio, titanio, zinco, fosforo rosso, fosforo giallo, celluloidi, e così via, e le relative polveri, gas o vapori)
 - Liquidi, oli, sporcizia bagnata o immondizia umida, incluso vomito ed escrementi
 - Pezzi duri con estremità affilate (schegge di legno, metalli, pietre, vetri, chiodi, spilli, rasoi o coltelli)
 - Polveri fini solidificanti e conduttive (polveri di metallo o di carbonio)
 - Agenti pulenti schiumosi per tappeti, e così via (potrebbero causare esplosioni o incendi)
 - Grandi quantitativi di polveri (farina, polveri per estintori, e così via)
 - Sostanze che causino sintomi di tossicità
 - Prodotti chimici aggressivi (acidi, alcali, e così via)
 - Polveri fini leganti, quali il cemento
 - Polveri sottili, ad esempio polvere di calcestruzzo
 - Essiccanti
 - Amianto
 - Pesticidi

In caso contrario, si potrebbero causare incendi, lesioni a persone e/o danni alle cose.

Per ridurre l'esposizione dell'utente a queste sostanze chimiche, indossare sempre protezioni respiratorie omologate, ad esempio maschere antipolveri specificamente progettate per filtrare particelle microscopiche. Indirizzare l'aria di scarico lontano dal proprio viso e dal proprio corpo.

3. **Qualora si noti una qualsiasi anomalia, interrompere immediatamente l'utilizzo.**
4. **Qualora si faccia cadere o si colpisca l'aspiratore, controllarlo attentamente alla ricerca di eventuali spaccature o danni, prima di utilizzarlo.**
5. **Non avvicinarlo a stufe/fornelli o altre fonti di calore.**
6. **Non ostruire il foro di aspirazione o i fori di ventilazione.**

CONSERVARE LE PRESENTI ISTRUZIONI.

Istruzioni di sicurezza importanti per la cartuccia della batteria

1. **Prima di utilizzare la cartuccia della batteria, leggere tutte le istruzioni e le avvertenze riportate (1) sul caricabatteria, (2) sulla batteria e (3) sul prodotto che utilizza la batteria.**
2. **Non smantellare né manomettere la cartuccia della batteria.** In caso contrario, si potrebbe causare un incendio, calore eccessivo o un'esplosione.
3. **Qualora il tempo di utilizzo si riduca eccessivamente, interrompere immediatamente l'utilizzo dell'utensile.** In caso contrario, si può incorrere nel rischio di surriscaldamento, possibili ustioni e persino un'esplosione.
4. **Qualora l'elettrolita entri in contatto con gli occhi, sciacquarli con acqua pulita e richiedere immediatamente assistenza medica.** Questa eventualità può risultare nella perdita della vista.
5. **Non cortocircuitare la cartuccia della batteria:**
 - (1) **Non toccare i terminali con alcun materiale conduttivo.**
 - (2) **Evitare di conservare la cartuccia della batteria in un contenitore insieme ad altri oggetti metallici quali chiodi, monete, e così via.**
 - (3) **Non esporre la cartuccia della batteria all'acqua o alla pioggia.**

Un cortocircuito della batteria può causare un grande flusso di corrente, un surriscaldamento, possibili ustioni e persino un guasto.
6. **Non conservare e utilizzare l'utensile e la cartuccia della batteria in ubicazioni in cui la temperatura possa raggiungere o superare i 50°C.**
7. **Non incenerire la cartuccia della batteria anche qualora sia gravemente danneggiata o completamente esaurita.** La cartuccia della batteria può esplodere se a contatto con il fuoco.
8. **Non inchiodare, tagliare, schiacciare, lanciare o far cadere la cartuccia della batteria, né farla urtare con forza contro un oggetto duro.** Questi comportamenti potrebbero risultare in un incendio, calore eccessivo o un'esplosione.
9. **Non utilizzare una batteria danneggiata.**
10. **Le batterie a ioni di litio contenute sono soggette ai requisiti del regolamento sul trasporto di merci pericolose (Dangerous Goods Legislation).**

Per trasporti commerciali, ad esempio da parte di terzi o spedizionieri, è necessario osservare dei requisiti speciali sull'imballaggio e sull'etichetta. Per la preparazione dell'articolo da spedire, è richiesta la consulenza di un esperto in materiali pericolosi. Attenersi anche alle normative nazionali, che potrebbero essere più dettagliate. Nastrire o coprire i contatti aperti e imballare la batteria in modo tale che non si possa muovere liberamente all'interno dell'imballaggio.
11. **Quando si intende smaltire la cartuccia della batteria, rimuoverla dall'utensile e smaltirla in un luogo sicuro.** Attenersi alle normative locali relative allo smaltimento della batteria.

12. **Utilizzare le batterie esclusivamente con i prodotti specificati da Makita.** L'installazione delle batterie in prodotti non compatibili potrebbe risultare in incendi, calore eccessivo, esplosioni o perdite di liquido elettrolitico.
13. **Se l'utensile non viene utilizzato per un periodo di tempo prolungato, la batteria deve essere rimossa dall'utensile.**
14. **Durante e dopo l'uso, la cartuccia della batteria potrebbe assorbire calore, che può causare ustioni o ustioni a bassa temperatura.** Fare attenzione a come si maneggiano le cartucce delle batterie estremamente calde.
15. **Non toccare i terminali dell'utensile subito dopo l'uso, in quanto potrebbero diventare estremamente caldi al punto da causare ustioni.**
16. **Evitare di far incastrare schegge, polveri o tereno nei terminali, nei fori e nelle scanalature della cartuccia della batteria.** In caso contrario, l'utensile o la cartuccia della batteria potrebbero riscaldarsi, prendere fuoco, scoppiare o guastarsi, causando ustioni o lesioni personali.
17. **A meno che l'utensile supporti l'uso in prossimità di linee elettriche ad alta tensione, non utilizzare la cartuccia della batteria in prossimità di linee elettriche ad alta tensione.** In caso contrario, si potrebbe causare un malfunzionamento o la rottura dell'utensile o della cartuccia della batteria.
18. **Tenere la batteria lontana dai bambini.**

CONSERVARE LE PRESENTI ISTRUZIONI.

ATTENZIONE: Utilizzare solo batterie originali Makita. L'utilizzo di batterie Makita non originali, o di batterie che siano state alterate, potrebbe risultare nello scoppio della batteria, causando incendi, lesioni personali e danni. Inoltre, ciò potrebbe invalidare la garanzia Makita per l'utensile e il caricabatterie Makita.

Suggerimenti per preservare la durata massima della batteria

1. **Caricare la cartuccia della batteria prima che si scarichi completamente.** Smettere sempre di utilizzare l'utensile e caricare la cartuccia della batteria quando si nota che la potenza dell'utensile è diminuita.
2. **Non ricaricare mai una cartuccia della batteria completamente carica.** La sovraccarica riduce la vita utile della batteria.
3. **Caricare la cartuccia della batteria a una temperatura ambiente compresa tra 10 °C e 40 °C.** Lasciar raffreddare una cartuccia della batteria prima di caricarla.
4. **Quando non si utilizza la cartuccia della batteria, rimuoverla dall'utensile o dal caricabatterie.**
5. **Caricare la cartuccia della batteria se non la si è utilizzata per un periodo di tempo prolungato (più di sei mesi).**

DESCRIZIONE DELLE FUNZIONI

ATTENZIONE: Accertarsi sempre che l'utensile sia spento e che la cartuccia della batteria sia stata rimossa prima di regolare o di controllare il funzionamento dell'utensile.

ATTENZIONE: Quando si installa la batteria, fare attenzione a non far restare incastrate le dita tra l'aspiratore e la batteria, come indicato nella figura. Qualora le dita restino incastrate, sussiste il pericolo di lesioni personali.

► Fig.1

Installazione o rimozione della cartuccia della batteria

ATTENZIONE: Spegnerne sempre l'utensile prima di installare o rimuovere la cartuccia della batteria.

ATTENZIONE: Mantenere saldamente lo strumento e la batteria quando si intende installare o rimuovere la cartuccia della batteria. Qualora non si mantengano saldamente lo strumento e la cartuccia della batteria, questi ultimi potrebbero scivolare dalle mani, con la possibilità di causare un danneggiamento dello strumento e della cartuccia della batteria, nonché una lesione personale.

Per rimuovere la cartuccia della batteria, farla scorrere via dall'utensile mentre si fa scorrere allo stesso tempo il pulsante sulla parte anteriore della cartuccia.

► **Fig.2:** 1. Indicatore rosso 2. Pulsante 3. Cartuccia della batteria

Per installare la cartuccia della batteria, allineare la linguetta sulla cartuccia della batteria con la scanalatura nell'alloggiamento e farla scivolare in sede. Inserirla completamente fino al suo blocco in sede con un leggero scatto. Se è possibile vedere l'indicatore rosso, come indicato nella figura, non è bloccata completamente.

ATTENZIONE: Installare sempre fino in fondo la cartuccia della batteria, fino a quando l'indicatore rosso non è più visibile. In caso contrario, la batteria potrebbe cadere accidentalmente dall'utensile, causando lesioni personali all'operatore o a chi gli è vicino.

ATTENZIONE: Non installare forzatamente la cartuccia della batteria. Qualora la batteria non si inserisca scorrendo agevolmente, vuol dire che non viene inserita correttamente.

Sistema di protezione strumento/batteria

L'utensile è dotato di un sistema di protezione dell'utensile e della batteria. Questo sistema interrompe automaticamente l'alimentazione al motore per prolungare la vita utile dell'utensile e della batteria. L'utensile si arresta automaticamente durante il funzionamento qualora l'utensile stesso o la batteria si trovino in una delle condizioni seguenti.

Sovraccarico:

L'utensile o la batteria vengono utilizzati in modo tale da causare un assorbimento di corrente elevato in modo anomalo da parte dell'utensile o della batteria stessi. In questa situazione, spegnere l'utensile e interrompere l'applicazione che ha causato il sovraccarico dell'utensile. Quindi, accendere l'utensile per ricominciare.

Surriscaldati:

L'utensile o la batteria sono surriscaldati. In questa circostanza, lasciar raffreddare l'utensile o la batteria, prima di riaccendere l'utensile.

Bassa tensione della batteria:

La carica residua della batteria è troppo bassa e non è possibile utilizzare l'utensile. In tal caso, rimuovere e ricaricare la batteria.

Protezioni da altre cause:

Il sistema di protezione è progettato anche per altre cause che potrebbero danneggiare l'utensile, e consente all'utensile di arrestarsi automaticamente. Adottare tutte le misure seguenti per rimuovere le cause, quando l'utensile è stato portato a un'interruzione temporanea o a un arresto del funzionamento.

1. Spegnere l'utensile, quindi riaccenderlo per ricominciare.
2. Caricare la batteria o le batterie, o sostituirla/sostituirele con una batteria o delle batterie ricaricate.
3. Lasciar raffreddare l'utensile e la batteria o le batterie.

Qualora non si riscontri alcun miglioramento ripristinando il sistema di protezione, contattare il proprio centro di assistenza locale Makita.

Indicazione della carica residua della batteria

Solo per cartucce delle batterie dotate di indicatore

► Fig.3: 1. Indicatori luminosi 2. Pulsante di controllo

Premere il pulsante di controllo sulla cartuccia della batteria per indicare la carica residua della batteria. Gli indicatori luminosi si illuminano per alcuni secondi.

Indicatori luminosi			Carica residua
■ Illuminato	□ Spento	▬ Lampeggiante	
■ ■ ■ ■			Dal 75% al 100%
■ ■ ■ □			Dal 50% al 75%
■ ■ □ □			Dal 25% al 50%
■ □ □ □			Dallo 0% al 25%
▬ □ □ □			Caricare la batteria.
■ ■ □ □ ↑ ↓ □ □ ■ ■			La batteria potrebbe essersi guastata.

NOTA: A seconda delle condizioni d'uso e della temperatura ambiente, l'indicazione potrebbe variare leggermente rispetto alla carica effettiva.

NOTA: Il primo indicatore luminoso (all'estremità sinistra) lampeggia quando il sistema di protezione della batteria è in funzione.

Funzionamento dell'interruttore

► Fig.4: 1. Pulsante di variazione della potenza di aspirazione 2. Pulsante di accensione/spengimento

Per avviare l'aspiratore, è sufficiente premere il pulsante di accensione/spengimento. Per spegnerlo, premere di nuovo il pulsante di accensione/spengimento. È possibile cambiare la potenza di aspirazione dell'aspiratore su quattro livelli, premendo il pulsante di variazione della potenza di aspirazione. Ciascuna pressione su questo pulsante attiva ciclicamente la modalità silenziosa/normale/alta velocità/massima velocità.

Livello	Indicazione	Modalità
1	☰	Modalità silenziosa
2	☷	Modalità a velocità normale
3	☶	Modalità ad alta velocità
4	☵	Modalità a velocità massima

NOTA: È possibile cambiare la potenza di aspirazione prima di accendere l'aspiratore.

NOTA: L'aspiratore inizia a funzionare con la stessa potenza di aspirazione dell'ultimo utilizzo.

Illuminazione della lampada

ATTENZIONE: Non osservare né guardare direttamente la fonte di luce.

Per accendere la lampada, premere il pulsante di variazione della potenza di aspirazione. La lampada si spegne dopo circa 10 secondi.

Mentre l'aspiratore è in funzione, la lampada si accende.

La lampada si spegne circa 10 secondi dopo l'arresto del funzionamento.

NOTA: Quando la carica residua della batteria diventa bassa, la lampada inizia a lampeggiare. La tempistica con cui la lampada inizia a lampeggiare dipende dalla temperatura della sede di lavoro e dalle condizioni della cartuccia della batteria.

► Fig.5: 1. Pulsante di variazione della potenza di aspirazione 2. Pulsante di accensione/spengimento 3. Lampadina

MONTAGGIO

⚠ATTENZIONE: Accertarsi sempre che l'utensile sia spento e che la cartuccia della batteria sia stata rimossa, prima di effettuare qualsiasi intervento sull'utensile.

Descrizione delle parti

Accessorio opzionale

Filtro ad alte prestazioni, supporto e filtro in spugna

► Fig.6: 1. Capsula 2. Filtro ad alte prestazioni 3. Supporto 4. Filtro in spugna

Prefiltro o filtro ad alte prestazioni e filtro HEPA

► Fig.7: 1. Capsula 2. Prefiltro 3. Filtro ad alte prestazioni 4. Filtro HEPA

AVVISO: Non inserire sotto il filtro ad alte prestazioni un filtro opzionale (filtro in tessuto non tessuto). In caso contrario, potrebbe non essere possibile rimuovere i filtri dall'aspiratore.

NOTA: Non installare un filtro opzionale (in tessuto non tessuto) tra il filtro HEPA e il prefiltro. In caso contrario, la potenza di aspirazione potrebbe venire ridotta.

NOTA: Utilizzare sempre un filtro ad alte prestazioni con telaio dotato del supporto conforme alla progettazione originale, quando si intende sovrapporlo al filtro HEPA.

► Fig.8: 1. Filtro ad alte prestazioni 2. Supporto (progettato per il filtro ad alte prestazioni)

Smaltimento delle polveri

⚠ATTENZIONE: Svuotare l'aspiratore prima che diventi troppo pieno; in caso contrario, la forza di aspirazione si riduce.

⚠ATTENZIONE: Accertarsi di svuotare l'interno dell'aspiratore stesso dalle polveri. In caso contrario, si potrebbe causare l'intasamento del filtro o il danneggiamento del motore.

Per far cadere la polvere attaccata al filtro nella capsula, dare 4 o 5 leggeri colpetti alla capsula con la mano.

► Fig.9: 1. Capsula

Puntare verso il basso la presa di aspirazione, ruotare la capsula nella direzione della freccia come nella figura e scollegare la capsula lentamente e tenendola dritta.

► Fig.10: 1. Capsula 2. Presa di aspirazione

NOTA: Le polveri potrebbero fuoriuscire quando si apre la capsula, pertanto accertarsi di posizionare un sacchetto dei rifiuti al di sotto della capsula.

Rimuovere le polveri accumulate dall'interno della capsula e dal filtro ad alte prestazioni.

► Fig.11: 1. Capsula 2. Filtro ad alte prestazioni

Ruotare il filtro ad alte prestazioni nella direzione della freccia per sganciare il bordo di fissaggio dall'unità aspiratore, quindi rimuovere il filtro tirandolo.

► Fig.12: 1. Bordo di fissaggio

NOTA: Seguire la procedura indicata sopra anche quando si intende utilizzare il prefiltro.

Pulire le polveri fini e dare dei leggeri colpetti per far staccare le polveri dal filtro ad alte prestazioni.

Rimontaggio

Collegare il filtro ad alte prestazioni. A questo punto, accertarsi di ruotare il filtro ad alte prestazioni in modo che il bordo di fissaggio sia saldamente bloccato nell'unità aspiratore.

► Fig.13: 1. Filtro ad alte prestazioni

► Fig.14: 1. Bordo di fissaggio

AVVISO: Accertarsi sempre di controllare che il filtro ad alte prestazioni sia caricato correttamente, prima di utilizzare l'aspiratore. Qualora non sia caricato correttamente, le polveri penetrano all'interno dell'alloggiamento del motore, causando il guasto di quest'ultimo.

Qualora si verifichi il problema descritto di seguito, il filtro ad alte prestazioni non è caricato correttamente. Ricaricarlo correttamente per correggere il problema.

Montare la capsula. Allineare il segno sulla capsula con il segno sulla maniglia, quindi ruotare con decisione la capsula nella direzione della freccia fino a fissarla.

► Fig.15: 1. Segno 2. Maniglia 3. Capsula

NOTA: Rimuovere sempre anticipatamente le polveri, in quanto la forza di aspirazione si riduce, qualora nell'aspiratore sia presente un grande quantitativo di polveri.

Esempi di problemi

Il bordo di fissaggio del filtro ad alte prestazioni non è bloccato saldamente nella scanalatura dell'alloggiamento dell'aspiratore.

► Fig.16: 1. Bordo di fissaggio 2. Scanalatura dell'alloggiamento dell'aspiratore

Installazione o rimozione del supporto o del filtro HEPA

Accessorio opzionale

Per il supporto e il filtro in spugna

Per rimuovere il supporto, premere verso l'alto la parte inferiore delle colonnine del supporto con le dita e sganciare la scanalatura di quest'ultimo dalla sporgenza sull'aspiratore. Quindi, rimuovere il filtro in spugna.

► Fig.17: 1. Supporto 2. Filtro in spugna

Per installarlo, allineare le scanalature sul supporto con la sporgenza sull'aspiratore, quindi premere fino a sentire uno scatto.

Inserire il filtro in spugna tra le colonnine e sistemarlo nella posizione originale.

Per il filtro HEPA

Quando si intende installare il filtro HEPA, inserire la scanalatura del filtro HEPA sulla sporgenza sull'aspiratore. Quindi, applicare il prefiltro o il filtro ad alte prestazioni sul filtro HEPA e ruotarlo per fissarlo. Per rimuoverlo, seguire la procedura di installazione al contrario.

► **Fig.18:** 1. Filtro HEPA 2. Prefiltro

► **Fig.19:** 1. Filtro HEPA 2. Filtro ad alte prestazioni

FUNZIONAMENTO

⚠ATTENZIONE: Durante l'utilizzo dell'aspiratore, non avvicinare il viso all'apertura di ventilazione. Qualora dei corpi estranei vengano soffiati negli occhi, potrebbero causare lesioni personali.

Installazione e rimozione degli accessori dell'aspiratore

⚠ATTENZIONE: Dopo aver installato gli accessori, verificare se siano installati saldamente. Qualora gli accessori non siano installati perfettamente, potrebbero staccarsi e causare lesioni personali.

⚠ATTENZIONE: Quando si intende rimuovere gli accessori, fare attenzione a non colpire con la mano le pareti, e così via.

Quando si intende utilizzare un accessorio dotato di funzione di blocco

Per installare l'accessorio, inserirlo nella presa di aspirazione dell'aspiratore fino a sentire uno scatto. Accertarsi che l'accessorio sia bloccato.

► **Fig.20:** 1. Presa di aspirazione 2. Accessorio dotato di funzione di blocco 3. Gancio 4. Pulsante di sblocco

AVVISO: Quando si intende installare un accessorio dotato di funzione di blocco, accertarsi di allineare il pulsante di sblocco sull'aspiratore con il gancio sull'accessorio. Qualora non siano allineati, l'accessorio non viene bloccato, e potrebbe staccarsi dall'aspiratore.

Per rimuovere l'accessorio, tirarlo mentre si tiene premuto il pulsante di sblocco.

► **Fig.21:** 1. Pulsante di sblocco 2. Accessorio dotato di funzione di blocco

Quando si intende utilizzare un accessorio privo di funzione di blocco

⚠ATTENZIONE: Per collegare un accessorio privo di funzione di blocco, ruotarlo e inserirlo nella direzione della freccia per fissare il collegamento durante l'uso. Per scollegare l'accessorio, ruotarlo ed estrarlo in modo analogo nella direzione della freccia. Qualora l'accessorio venga ruotato nella direzione opposta, la capsula potrebbe allentarsi.

► **Fig.22**

Pulizia (aspirazione)

Bocchetta

Montare la bocchetta per pulire tavoli, scrivanie, mobili, e così via. La bocchetta si inserisce facilmente infilandola.

► **Fig.23:** 1. Bocchetta

Bocchetta + prolunga (tubo diritto)

La prolunga si inserisce tra la bocchetta e l'aspiratore stesso. Questa disposizione è comoda per pulire i pavimenti restando in posizione eretta.

► **Fig.24:** 1. Corpo dell'aspiratore 2. Prolunga (tubo diritto) 3. Bocchetta

Bocchetta a punta

Montare la bocchetta a punta per la pulizia degli angoli e degli interstizi di automobili o mobili.

► **Fig.25:** 1. Bocchetta a punta 2. Corpo dell'aspiratore

È possibile riporre la bocchetta a punta nel supporto per la bocchetta.

► **Fig.26:** 1. Supporto per la bocchetta 2. Bocchetta a punta

⚠ATTENZIONE: Fare attenzione a non far restare incastrate le dita tra la bocchetta a punta e il supporto per la bocchetta. Qualora le dita restino incastrate, sussiste il pericolo di lesioni personali.

Bocchetta a punta + prolunga (tubo diritto)

Utilizzare questa disposizione in spazi ristretti in cui non sia possibile infilare l'aspiratore stesso o in ubicazioni elevate difficili da raggiungere.

► **Fig.27:** 1. Bocchetta a punta 2. Prolunga (tubo diritto) 3. Corpo dell'aspiratore

Pulizia senza la bocchetta

È possibile aspirare le polveri senza la bocchetta.

► **Fig.28**

Per aspirare la polvere su un pavimento restando in piedi, è comodo montare la prolunga sull'aspiratore.

► **Fig.29:** 1. Prolunga (tubo diritto)

MANUTENZIONE

⚠ATTENZIONE: Accertarsi sempre che l'utensile sia spento e che la cartuccia della batteria sia stata rimossa prima di tentare di eseguire interventi di ispezione o manutenzione.

Per preservare la SICUREZZA e l'AFFIDABILITÀ del prodotto, le riparazioni e qualsiasi altro intervento di manutenzione o di regolazione devono essere eseguiti da centri di assistenza autorizzati Makita, utilizzando sempre ricambi Makita.

Dopo l'uso

ATTENZIONE: Se si appoggia l'aspiratore contro una parete senza alcun altro sostegno, si potrebbe causare la caduta dell'aspiratore, causando lesioni personali o danni all'aspiratore stesso.

► Fig.30

Pulizia

ATTENZIONE: Pulire i filtri quando diventano intasati. L'utilizzo continuato nella condizione di intasamento potrebbe risultare in un riscaldamento o in un incendio.

AVVISO: Non utilizzare mai benzina, benzene, solventi, alcol o altre sostanze simili. In caso contrario, si potrebbero causare scolorimenti, deformazioni o crepe.

AVVISO: Non soffiare via la polvere che aderisce all'aspiratore e ai filtri utilizzando bombolette anti-polvere ad aria compressa. Queste ultime fanno penetrare la polvere all'interno dell'alloggiamento e causano guasti.

AVVISO: Dopo aver lavato i filtri, asciugarli completamente prima dell'uso. Filtri non asciugati a sufficienza potrebbero causare un'aspirazione scadente e ridurre la vita utile del motore.

AVVISO: Dopo la pulizia dei filtri e del filtro in spugna, accertarsi di reinstallarli prima dell'uso. Qualora si utilizzi l'aspiratore senza i filtri e il filtro in spugna, le polveri penetrano nell'alloggiamento del motore e causano guasti.

Corpo dell'aspiratore

Pulire di tanto in tanto la superficie esterna dell'aspiratore (corpo dell'aspiratore) utilizzando un panno inumidito con acqua e sapone.

Pulire anche l'apertura di aspirazione e l'area di montaggio dei filtri.

► Fig.31

Filtro ad alte prestazioni

Lavare il filtro in acqua e sapone quando è intasato di polveri e la potenza dell'aspiratore si riduce. Asciugarlo completamente prima dell'uso.

► Fig.32

Filtro HEPA

Accessorio opzionale

AVVISO: Non strofinare né graffiare il filtro HEPA con oggetti duri, quali spazzole.

Un filtro HEPA ostruito causa prestazioni di aspirazione scadenti. Pulire il filtro di tanto in tanto.

Ogni tanto, lavare il filtro HEPA in acqua, risciacquarlo e farlo asciugare completamente all'ombra prima dell'uso. Non lavare mai il filtro in lavatrice.

► Fig.33

Filtro in spugna

Quando il filtro in spugna diventa sporco, pulirlo nel modo seguente.

1. Rimuovere i filtri che coprono il supporto.
2. Estrarre il filtro in spugna facendolo passare tra le colonnine.
3. Pulire il filtro in spugna dandogli dei leggeri colpi o lavandolo. Qualora lo si lavi, farlo asciugare completamente prima dell'uso.
4. Inserire il filtro in spugna facendolo passare tra le colonnine e sistemarlo nella posizione originale. Accertarsi che il bordo inferiore di ciascuna colonnina tenga fermo il filtro in spugna, e che non vi siano spazi vuoti tra il filtro in spugna e l'apertura di aspirazione.

► Fig.34: 1. Filtro in spugna 2. Bordo inferiore della colonnina

Supporto a muro per aspiratore a batteria

Accessorio opzionale

NOTA: La vite per montare il supporto non è inclusa. Preparare una vite idonea al materiale in cui debba essere avvitata.

Montare il supporto a muro per l'aspiratore a batteria su una parete, una trave o una colonna in legno duro, in cui sia possibile fissare saldamente il supporto a muro dell'aspiratore a batteria. Accertarsi sempre che il supporto a muro per l'aspiratore a batteria sia fissato saldamente, prima di appendere l'aspiratore.

► Fig.35: 1. Supporto a muro per aspiratore a batteria

ATTENZIONE: Non appendere l'aspiratore al supporto a muro con violenza né appendere altri elettrodomestici diversi dall'aspiratore.

Risoluzione dei problemi

Prima di richiedere riparazioni, controllare i punti seguenti.

Sintomo	Area da controllare	Metodo di correzione del problema
Forza di aspirazione debole	La capsula è piena di polveri?	Svuotare la capsula dalle polveri.
	Il filtro è intasato?	Pulire o lavare il filtro.
	La cartuccia della batteria è scarica?	Caricare la cartuccia della batteria.
Mancato funzionamento	La cartuccia della batteria è scarica?	Caricare la cartuccia della batteria.
Rumori e vibrazioni	Il filtro è intasato?	Pulire o lavare il filtro.
	La bocchetta, il tubo o la presa di aspirazione dell'elettrodomestico sono intasati?	Rimuovere gli oggetti intasati nella bocchetta, nel tubo o nella presa di aspirazione dell'elettrodomestico.
	La bocchetta o l'apertura di ingresso del tubo sono intasate?	Non ostruire la bocchetta o l'apertura di ingresso del tubo.

ATTENZIONE: Non tentare di riparare l'aspiratore da soli.

ACCESSORI OPZIONALI

ATTENZIONE: Questi accessori o componenti aggiuntivi sono consigliati per l'uso con l'utensile Makita specificato nel presente manuale.

L'impiego di altri accessori o componenti aggiuntivi può costituire un rischio di lesioni alle persone. Utilizzare gli accessori o i componenti aggiuntivi solo per il loro scopo prefissato.

Per ottenere ulteriori dettagli relativamente a questi accessori, rivolgersi a un centro di assistenza Makita.

- Prolunga (tubo diritto)
- Bocchetta
- Bocchetta per tappeti
- Spazzola per scaffali
- Bocchetta a punta
- Spazzola rotonda
- Tubo flessibile
- Filtro (in tessuto non tessuto)
- Prefiltro
- Filtro ad alte prestazioni
- Filtro HEPA
- Bocchetta per sedute
- Bocchetta per fessure
- Supporto a muro per aspiratore a batteria
- Unità ciclonica
- Accessorio ciclonico
- Borsa dell'utensile
- Batteria e caricabatterie originali Makita

NOTA: Alcuni articoli nell'elenco potrebbero essere inclusi nell'imballaggio dell'utensile come accessori standard. Tali articoli potrebbero variare da nazione a nazione.

Accessorio ciclonico

Accessorio opzionale

- Fig.36: 1. Pulsante di sblocco 2. Gancio
3. Prolunga (tubo diritto) 4. Accessorio ciclonico 5. Presa di aspirazione

Informazioni sull'accessorio ciclonico

L'utilizzo dell'aspiratore con l'accessorio ciclonico installato riduce la quantità di polveri che entrano nella capsula, il che contribuisce a evitare l'indebolimento della forza di aspirazione. Inoltre, anche la pulizia dopo l'uso è semplice.

ATTENZIONE: Accertarsi sempre che l'utensile sia spento e che la cartuccia della batteria sia stata rimossa, prima di effettuare qualsiasi intervento sull'utensile. Qualora la cartuccia della batteria venga lasciata inserita, l'aspiratore potrebbe avviarsi inaspettatamente e causare lesioni personali.

ATTENZIONE: Pulire il filtro a rete dell'accessorio ciclonico e i filtri dell'unità aspiratore quando diventano intasati. L'utilizzo continuato nella condizione di intasamento potrebbe causare riscaldamento o fumo.

AVVISO: Quando è montato l'accessorio ciclonico, non utilizzare l'aspiratore in una posizione orizzontale o rivolta verso l'alto. In caso contrario, si potrebbe causare l'intasamento del filtro a rete.

AVVISO: Utilizzare sempre l'aspiratore con i filtri installati, anche quando si utilizza l'accessorio ciclonico. L'utilizzo dell'aspiratore senza i filtri installati potrebbe risultare in un malfunzionamento del motore.

NOTA: Verificare che l'accessorio ciclonico, l'aspiratore e la prolunga (tubo diritto) siano bloccati correttamente, prima dell'uso.

NOTA: Svuotare il contenitore polveri dell'accessorio ciclonico e la capsula dell'aspiratore, quando le polveri si sono accumulate. In caso contrario, l'utilizzo continuato risulta in una forza di aspirazione ridotta.

NOTA: È anche possibile utilizzare l'accessorio ciclonico senza la funzione di blocco.

NOTA: Per installare o rimuovere l'accessorio ciclonico, fare riferimento alla sezione "Installazione e rimozione degli accessori dell'aspiratore".

Smaltimento delle polveri

Quando le polveri si sono accumulate fino alla linea di riempimento del contenitore polveri, attenersi alla procedura seguente e smaltire le polveri.

1. Mantenere saldamente il contenitore polveri, premere e tenere premuti i due pulsanti, quindi rimuovere il contenitore polveri.

► **Fig.37:** 1. Linea di riempimento 2. Contenitore polveri 3. Pulsante (in due ubicazioni) 4. Filtro a rete

2. Smaltire le polveri all'interno del contenitore polveri e rimuovere eventuali polveri depositate sulla superficie del filtro a rete.

3. Inserire completamente il contenitore polveri fino a quando i due pulsanti si bloccano con uno scatto.

► **Fig.38:** 1. Contenitore polveri 2. Pulsante (in due ubicazioni)

ATTENZIONE: Quando si rimonta il contenitore polveri, fare attenzione a non far restare incastrate le dita.

NOTA: Verificare che l'accessorio ciclonico, l'aspiratore e la prolunga (tubo diritto) siano bloccati correttamente, prima di riprendere l'utilizzo.

NOTA: Qualora la forza di aspirazione non venga recuperata anche dopo aver smaltito le polveri e aver pulito il filtro a rete, controllare se le polveri si siano accumulate nella capsula dell'aspiratore o se si sia verificato un intasamento.

NOTA: La polvere potrebbe volare verso l'alto, quando la si smaltisce dall'accessorio ciclonico. Fare attenzione a non consentire che la polvere finisca negli occhi.

Pulizia

ATTENZIONE: Dopo aver lavato l'accessorio ciclonico, farlo asciugare completamente prima dell'uso. Componenti non asciugati a sufficienza potrebbero causare scosse elettriche o danni all'elettrodomestico.

Quando il contenitore polveri diventa sporco o il filtro a rete è intasato, rimuoverli e lavarli con acqua. (Per la procedura di rimozione, fare riferimento a "Smaltimento delle polveri").

Far asciugare completamente le parti prima della reinstallazione e dell'utilizzo.

► **Fig.39:** 1. Contenitore polveri 2. Filtro a rete

Quando il filtro a rete si sporca notevolmente, pulirlo attenendosi alle procedure seguenti.

1. Ruotare il filtro a rete nella direzione indicata dalla freccia e rimuoverlo mentre i ganci sono sbloccati.

► **Fig.40:** 1. Filtro a rete 2. Gancio

2. Rimuovere le polveri sul filtro a rete, quindi lavarlo con acqua. Dopodiché, farlo asciugare completamente.

3. Inserire il filtro a rete nella base mentre i ganci sono allineati con l'apertura. Ruotare il filtro a rete nella direzione indicata dalla freccia fino a quando i ganci si bloccano con uno scatto. Accertarsi che il filtro a rete sia installato saldamente.

► **Fig.41:** 1. Filtro a rete 2. Gancio 3. Apertura

WAARSCHUWING

- Dit apparaat mag worden gebruikt door kinderen van 8 jaar en ouder of door personen met beperkte fysieke, zintuiglijke of verstandelijke vermogens of gebrek aan ervaring of kennis van zaken, maar alleen onder toezicht of na instructie in veilig gebruik van het apparaat, met begrip van de eventuele risico's.
- Kinderen mogen niet met het apparaat spelen. Reinigen en onderhoud van het apparaat mag niet door kinderen worden verricht, tenzij onder toezicht.
- Zie het hoofdstuk "TECHNISCHE GEGEVENS" voor de typeaanduiding van de accu.
- Zie het hoofdstuk "De accu aanbrengen en verwijderen" voor hoe u de accu kunt aanbrengen en verwijderen.
- Wanneer u de accu wilt weggooien, verwijdert u de accu vanaf het gereedschap en gooit u hem op een veilige manier weg. Volg bij het weggooien van de accu de plaatselijke voorschriften.
- Als u het gereedschap gedurende een lange tijd niet denkt te gaan gebruiken, moet de accu vanaf het gereedschap worden verwijderd.
- Voorkom kortsluiting van de accu.
- Zie het hoofdstuk "ONDERHOUD" voor de benodigde informatie over de voorzorgsmaatregelen tijdens onderhoud door de gebruiker.

TECHNISCHE GEGEVENS

Model:		DCL284F
Inhoud		730 ml
Continu gebruik (met accu BL1830B)	1 (stand voor stille werking)	Ong. 38 min
	2 (stand voor normale snelheid)	Ong. 21 min
	3 (stand voor hoge snelheid)	Ong. 15 min
	4 (stand voor maximale snelheid)	Ong. 8 min
Totale lengte (met buis, mondstuk en accu BL1830B)		1.066 mm
Nominale spanning		18 V gelijkspanning
Nettogewicht		1,3 - 1,7 kg

- In verband met ononderbroken research en ontwikkeling, behouden wij ons het recht voor de bovenstaande technische gegevens zonder voorafgaande kennisgeving te wijzigen.
- De technische gegevens kunnen van land tot land verschillen.
- Het gewicht is exclusief bijgeleverde accessoires, maar inclusief de accu('s). Het laagste en hoogste gecombineerde gewicht van het apparaat en de accu('s) wordt vermeld in de tabel.

Toepasselijke accu's en laders

Accu	BL1815N / BL1820B / BL1830B / BL1840B / BL1850B / BL1860B
Lader	DC18RC / DC18RD / DC18RE / DC18SD / DC18SE / DC18SF / DC18SH / DC18WC

- Sommige van de hierboven vermelde accu's en laders zijn mogelijk niet leverbaar afhankelijk van waar u woont.

⚠ WAARSCHUWING: Gebruik uitsluitend de accu's en laders die hierboven worden genoemd. Gebruik van enige andere accu of lader kan leiden tot letsel en/of brand.

Symbolen

Hieronder staan de symbolen die voor het gereedschap kunnen worden gebruikt. Zorg ervoor dat u de betekenis ervan kent voordat u het gereedschap gaat gebruiken.



Lees de gebruiksaanwijzing.



Een representatieve accu geschikt voor dit product.



Alleen voor EU-landen
Als gevolg van de aanwezigheid van schadelijke componenten in het apparaat, kunnen oude elektrische en elektronische apparaten, accu's en batterijen negatieve gevolgen hebben voor het milieu en de gezondheid van mensen.
Gooi elektrische en elektronische apparaten en accu's niet met het huisvuil weg! In overeenstemming met de Europese richtlijn inzake oude elektrische en elektronische apparaten en inzake accu's en batterijen en oude accu's en batterijen, alsmede de toepassing daarvan binnen de nationale wetgeving, dienen oude elektrische apparaten, accu's en batterijen gescheiden te worden opgeslagen en te worden ingeleverd bij een apart inzamelingspunt voor huishoudelijk afval dat de milieubeschermingsvoorschriften in acht neemt.
Dit wordt op het apparaat aangegeven door het symbool van een doorgekruiste afvalcontainer.

Gebruiksdoeleinden

Het gereedschap is bedoeld om droog stof te verzamelen.

VEILIGHEIDSWAARSCHUWINGEN

Veiligheidswaarschuwingen voor accustofzuigers

WAARSCHUWING: BELANGRIJK! LEES VÓÓR GEBRUIK alle veiligheidswaarschuwingen en alle instructies ZORGVULDIG DOOR. Het niet volgen van de waarschuwingen en instructies kan leiden tot elektrische schokken, brand en/of ernstig letsel.

1. **Stel niet bloot aan regen. Bewaar binnenshuis.**
2. **Sta niet toe dat er mee gespeeld wordt. Let goed op bij gebruik door of in de buurt van kinderen.**
3. **Gebruik uitsluitend zoals beschreven in deze gebruiksaanwijzing. Gebruik uitsluitend hulpstukken aanbevolen door de fabrikant.**
4. **Gebruik nooit met een beschadigde accu. Als het apparaat niet werkt zoals het zou moeten werken, is gevallen, is beschadigd, buiten heeft gelegen of in het water is gevallen, stuurt u het terug naar een servicecentrum.**

5. **Hanteer het apparaat niet met natte handen.**
6. **Steek geen voorwerpen in de openingen. Gebruik het apparaat niet wanneer een opening verstopt zit, houd het apparaat vrij van stof, pluizen, haar en alles wat de luchtdoorstroming kan hinderen.**
7. **Houd haar, loshangende kleding, vingers en alle lichaamsdelen uit de buurt van de openingen en bewegende delen.**
8. **Schakel alle bedieningselementen uit alvorens de accu eraf te halen.**
9. **Wees extra voorzichtig bij het stofzuigen op een trap.**
10. **Zuig geen ontvlambare of brandbare vloeistoffen, zoals benzine, op en gebruik het apparaat niet op plaatsen waar deze aanwezig kunnen zijn.**
11. **Gebruik voor het opladen uitsluitend de acculader die door de fabrikant werd geleverd.**
12. **Zuig niets op dat brandt of rookt, zoals sigaretten, lucifers of hete as.**
13. **Gebruik het apparaat niet zonder dat de stofzak en/of filters zijn aangebracht.**
14. **Laad de accu niet buitenshuis op.**
15. **Laad uitsluitend op met de acculader die wordt gespecificeerd door de fabrikant. Een acculader die geschikt is voor een bepaald type accu, kan brandgevaar opleveren indien gebruikt met een ander type accu.**
16. **Gebruik apparaten uitsluitend met de daarvoor bestemde accu's. Gebruik van andere accu's kan gevaar voor letsel of brandgevaar opleveren.**
17. **Als de accu niet wordt gebruikt, houdt u deze uit de buurt van metalen voorwerpen zoals paperclips, muntgeld, sleutels, spijkers, schroeven en andere kleine metalen voorwerpen die een kortsluiting kunnen veroorzaken tussen de accupolen.**
18. **Onder zware gebruiksomstandigheden kan vloeistof uit de accu komen. Voorkom aanraking. Als aanraking per ongeluk zich voordoet, spoelt u met water.**
19. **Gebruik geen accu of apparaat die/dat beschadigd of gewijzigd is. Beschadigde of gewijzigde accu's kunnen onvoorspelbaar gedrag vertonen dat kan leiden tot brand, explosie of gevaar van letsel.**
20. **Stel een accu of apparaat niet bloot aan vuur of buitensporige temperaturen. Blootstelling aan vuur of temperaturen hoger dan 130 °C kunnen een explosie veroorzaken.**
21. **Volg alle oplaadinstructies en laad de accu of het apparaat niet op buiten het temperatuurbereik vermeld in de instructies. Verkeerd opladen of bij een temperatuur buiten het vermelde bereik, kan de accu beschadigen en de kans op brand vergroten.**

BEWAAR DEZE INSTRUCTIES.

AANVULLENDE VEILIGHEIDSVORSCHRIFTEN

Dit apparaat is bedoeld voor huishoudelijk gebruik.

1. Lees deze gebruiksaanwijzing en die van de acculader voor gebruik aandachtig door.
2. Zuig de volgende stoffen niet op:
 - Hete stoffen die branden of roken (sigaretten, lucifers, geurstokjes, kaarsen, hete as), vonken en metaalvijsel als gevolg van het (door)slijpen van metaal, enz.
 - Brandbare vloeistoffen (kerosine, benzine, oplosmiddelen zoals wasbenzine, thinner, enz.)
 - Brandbare materialen (toner, verf, spuitmiddel, enz.)
 - Explosieve of pyrofore stoffen (nitroglycerine, aluminium, magnesium, titanium, zink, rode fosfor, gele fosfor, cellulose, enz., alsmede het stof, de damp of de stoom ervan)
 - Vloeistof, olie, nat stof of vochtig afval, waaronder braaksel en uitwerpselen
 - Harde stukjes met scherpe randen (houtsnippers, metaaldeeltjes, steentjes, glastukjes, spijkers, punaises, scheermesjes of bestek)
 - Stollend en geleidend fijn poeder (metaal- of koolstofpoeder)
 - Schuimende tapijtreinigingsmiddelen, enz. (deze kunnen een explosie of brand veroorzaken)
 - Grote hoeveelheid poeder (meel, brandbluspoeder, enz.)
 - Stoffen die giftige symptomen veroorzaken
 - Aggressieve chemicaliën (zuren, basen, enz.)
 - Fijne, poedervormige bindmiddelen, zoals cementpoeder
 - Zeer kleine deeltjes, zoals betonstof
 - Droogmiddelen
 - Asbest
 - Pesticiden

Een dergelijk gebruik kan leiden tot brand, persoonlijk letsel en/of materiële schade.

Om uw blootstelling aan deze stoffen te verminderen, draagt u altijd een goedgekeurd ademhalingsbeschermingsapparaat, zoals een stofmasker dat speciaal bedoeld is om microscopische deeltjes te filteren. Richt de uitlaatlucht weg van uw gezicht en lichaam.

3. **Stop onmiddellijk met het gebruik als u iets abnormaals opmerkt.**
4. **Als u de stofzuiger laat vallen of ergens tegenaan stoot, controleert u zorgvuldig op barsten of beschadigingen voordat u deze weer gebruikt.**
5. **Houd uit de buurt van fornuizen en verwarmingsbronnen.**
6. **Blokkeer de inlaatopening en de ventilatieopeningen niet.**

BEWAAR DEZE INSTRUCTIES.

Belangrijke veiligheidsinstructies voor een accu

1. **Lees alle voorschriften en waarschuwingen op (1) de acculader, (2) de accu, en (3) het product waarvoor de accu wordt gebruikt, alvorens de accu in gebruik te nemen.**
2. **Haal de accu niet uit elkaar en saboteer hem niet.** Dit kan leiden tot brand, buitensporige hitte of een explosie.
3. **Als de gebruikstijd van een opgeladen accu aanzienlijk korter is geworden, moet u het gebruik ervan onmiddellijk stopzetten.** Voortgezet gebruik kan oververhitting, brandwonden en zelfs een ontploffing veroorzaken.
4. **Als elektrolyt in uw ogen is terechtgekomen, spoelt u uw ogen met schoon water en roept u onmiddellijk de hulp van een dokter in.** Elektrolyt in de ogen kan blindheid veroorzaken.
5. **Voorkom kortsluiting van de accu:**
 - (1) **Raak de accuklemmen nooit aan met een geleidend materiaal.**
 - (2) **Bewaar de accu niet in een bak waarin andere metalen voorwerpen zoals spijkers, munten e.d. worden bewaard.**
 - (3) **Stel de accu niet bloot aan water of regen.** Kortsluiting van de accu kan oorzaak zijn van een grote stroomafgifte, oververhitting, brandwonden, en zelfs defecten.
6. **Bewaar en gebruik het gereedschap en de accu niet op plaatsen waar de temperatuur kan oplopen tot 50 °C of hoger.**
7. **Werp de accu nooit in het vuur, ook niet wanneer hij zwaar beschadigd of volledig versleten is.** De accu kan ontploffen in het vuur.
8. **Laat de accu niet vallen, sla er geen spijker in, snijd er niet in, gooi er niet mee en stoot hem niet tegen een hard voorwerp.** Dergelijke handelingen kunnen leiden tot brand, buitensporige hitte of een explosie.
9. **Gebruik nooit een beschadigde accu.**
10. **De bijgeleverde lithium-ionbatterijen zijn onderhevig aan de vereisten in de wetgeving omtrent gevaarlijke stoffen.**

Voor commercieel transport en dergelijke door derden en transporteurs moeten speciale vereisten ten aanzien van verpakking en etikettering worden nageleefd.

Als voorbereiding van het artikel dat wordt getransporteerd is het noodzakelijk een expert op het gebied van gevaarlijke stoffen te raadplegen. Houd u tevens aan mogelijk strengere nationale regelgeving.

Blootliggende contactpunten moeten worden afgedekt met tape en de accu moet zodanig worden verpakt dat deze niet kan bewegen in de verpakking.
11. **Wanneer u de accu wilt weggooien, verwijdert u de accu vanaf het gereedschap en gooit u hem op een veilige manier weg. Volg bij het weggooien van de accu de plaatselijke voorschriften.**

12. **Gebruik de accu's uitsluitend met de gereedschappen die door Makita zijn aanbevolen.** Als de accu's worden aangebracht in niet-compatibele gereedschappen, kan dat leiden tot brand, buitensporige warmteontwikkeling, een explosie of lekkage van elektrolyt.
13. **Als u het gereedschap gedurende een lange tijd niet denkt te gaan gebruiken, moet de accu vanaf het gereedschap worden verwijderd.**
14. **Tijdens en na gebruik, kan de accu heet worden waardoor brandwonden of koude brandwonden kunnen worden veroorzaakt. Wees voorzichtig bij het hanteren van een hete accu.**
15. **Raak de aansluitpunten van het gereedschap niet onmiddellijk na gebruik aan omdat deze heet genoeg kunnen zijn om brandwonden te veroorzaken.**
16. **Zorg ervoor dat geen steenslag, stof of grond vast komt te zitten op/in de aansluitpunten, openingen en groeven van de accu.** Hierdoor kan oververhitting, brand, een barst en een storing in het gereedschap of de accu ontstaan waardoor brandwonden of persoonlijk letsel kunnen ontstaan.
17. **Behalve indien gebruik van het gereedschap is toegestaan in de buurt van hoogspanningsleidingen, mag u de accu niet gebruiken in de buurt van een hoogspanningsleiding.** Dit kan leiden tot een storing of een defect van het gereedschap of de accu.
18. **Houd de accu uit de buurt van kinderen.**

BEWAAR DEZE INSTRUCTIES.

⚠ LET OP: Gebruik uitsluitend originele Makita accu's. Het gebruik van niet-originele accu's, of accu's die zijn gewijzigd, kan ertoe leiden dat de accu ontploft en brand, persoonlijk letsel en schade veroorzaakt. Ook vervalt daarmee de garantie van Makita op het gereedschap en de lader van Makita.

Tips voor een maximale levensduur van de accu

1. **Laad de accu op voordat hij volledig ontladen is. Stop het gebruik van het gereedschap en laad de accu op telkens wanneer u vaststelt dat het vermogen van het gereedschap is afgenomen.**
2. **Laad een volledig opgeladen accu nooit opnieuw op. Te lang opladen verkort de levensduur van de accu.**
3. **Laad de accu op bij een omgevingstemperatuur tussen 10 °C en 40 °C. Laat een warme accu afkoelen alvorens hem op te laden.**
4. **Als de accu niet wordt gebruikt, verwijdert u hem vanaf het gereedschap of de lader.**
5. **Laad de accu op als u deze gedurende een lange tijd (meer dan zes maanden) niet gaat gebruiken.**

BESCHRIJVING VAN DE FUNCTIES

⚠ LET OP: Zorg altijd dat het gereedschap is uitgeschakeld en de accu ervan is verwijderd alvorens de functies op het gereedschap af te stellen of te controleren.

⚠ LET OP: Wees voorzichtig dat uw vinger(s) niet bekneld raken tussen de stofzuiger en de accu tijdens het aanbrengen van de accu, zoals aangegeven in de afbeelding. Beknelde vinger(s) kunnen tot letsel leiden.

► Fig.1

De accu aanbrengen en verwijderen

⚠ LET OP: Schakel het gereedschap altijd uit voordat u de accu aanbrengt of verwijdert.

⚠ LET OP: Houd het gereedschap en de accu stevig vast tijdens het aanbrengen of verwijderen van de accu. Als u het gereedschap en de accu niet stevig vasthoudt, kunnen deze uit uw handen glippen en het gereedschap of de accu beschadigen, of kan persoonlijk letsel worden veroorzaakt.

Om de accu te verwijderen verschuift u de knop aan de voorkant van de accu en schuift u tegelijkertijd de accu uit het gereedschap.

► Fig.2: 1. Rood deel 2. Knop 3. Accu

Om de accu aan te brengen lijnt u de lip op de accu uit met de groef in de behuizing en duwt u de accu op zijn plaats. Steek de accu zo ver mogelijk in het gereedschap tot u een klinkgeluid hoort. Wanneer het rode deel zichtbaar is, zoals aangegeven in de afbeelding, is de accu niet geheel vergrendeld.

⚠ LET OP: Breng de accu altijd helemaal aan totdat het rode deel niet meer zichtbaar is. Als u dit niet doet, kan de accu per ongeluk uit het gereedschap vallen en u of anderen in uw omgeving verwonden.

⚠ LET OP: Breng de accu niet met kracht aan. Als de accu niet gemakkelijk in het gereedschap kan worden geschoven, wordt deze niet goed aangebracht.

Gereedschap-/accubeveiligingssysteem

Het gereedschap is uitgerust met een gereedschap-/accubeveiligingssysteem. Dit systeem sluit automatisch de voeding naar de motor af om de levensduur van het gereedschap en de accu te verlengen. Het gereedschap zal tijdens gebruik automatisch stoppen wanneer het gereedschap of de accu zich in een van de volgende omstandigheden bevindt.

Overbelasting:

Als het gereedschap/de accu wordt gebruikt op een manier die een abnormaal hoge stroomsterkte vergt. Schakel in dat geval het gereedschap uit en stopt u met de toepassing waardoor het gereedschap overbelast raakte. Schakel vervolgens het gereedschap in om het weer te starten.

Oververhit:

Het gereedschap/de accu is oververhit. In die situatie laat u het gereedschap/de accu eerst afkoelen voordat u het gereedschap opnieuw inschakelt.

Onvoldoende accuspanning:

De resterende acculading is te laag en het gereedschap start niet. In dat geval verwijdt u de accu en laadt u die opnieuw op.

Beveiligingen tegen andere oorzaken:

Het beveiligingssysteem is ook ontworpen voor andere oorzaken die het gereedschap kunnen beschadigen, en zorgt ervoor dat het gereedschap automatisch stopt. Voer alle volgende stappen uit om de oorzaken op te heffen, wanneer het gereedschap tijdelijk is onderbroken of tijdens het gebruik is gestopt.

1. Schakel het gereedschap uit en schakel het daarna weer in om het opnieuw te starten.
2. Laad de accu('s) op of vervang hem/ze door (een) opgeladen accu('s).
3. Laat het gereedschap en de accu('s) afkoelen.










Als geen verbetering optreedt nadat het beveiligingssysteem is gereset, neemt u contact op met uw lokale Makita-servicecentrum.

De resterende acculading controleren

Alleen voor accu's met indicatorlampjes

► Fig.3: 1. Indicatorlampjes 2. Testknop

Druk op de testknop van de accu om de resterende acculading te zien. De indicatorlampjes branden gedurende enkele seconden.

Indicatorlampjes			Resterende acculading
 Brandt	 Uit	 Knippert	
			75% tot 100%
			50% tot 75%
			25% tot 50%
			0% tot 25%
			Laad de accu op.
 ↑ ↓			Er kan een storing zijn opgetreden in de accu.

OPMERKING: Afhankelijk van de gebruiksomstandigheden en de omgevingstemperatuur, is het mogelijk dat de aangegeven acculading verschilt van de werkelijke acculading.





OPMERKING: Het eerste (meest linker) indicatorlampje knippert wanneer het accubeveiligingssysteem in werking is getreden.

De trekverschakelaar gebruiken

► Fig.4: 1. Zuigkrachtkeuzeknop 2. Aan-uitknop

Om de stofzuiger in te schakelen, drukt u gewoon op de aan-uitknop. Om hem uit te schakelen, drukt u nogmaals op de aan-uitknop.

U kunt de zuigkracht van de stofzuiger in vier stappen instellen door op de zuigkrachtkeuzeknop te drukken. Bij elke druk op deze knop doorloopt u stapsgewijs de cyclus stil-normaal-hoog-maximaal.

Niveau	Indicator	Functie
1		Stand voor stille werking
2		Stand voor normale snelheid
3		Stand voor hoge snelheid
4		Stand voor maximale snelheid

OPMERKING: U kunt de zuigkracht instellen voordat u de stofzuiger inschakelt.

OPMERKING: De stofzuiger heeft bij het inschakelen dezelfde zuigkracht als bij de laatste keer uitschakelen.

De lamp inschakelen

⚠ LET OP: Kijk niet direct in het lamplicht of in de lichtbron.

Om de lamp in te schakelen, drukt u op de zuigkrachtkeuzeknop. De lamp gaat uit na ongeveer 10 seconden. Terwijl de stofzuiger is ingeschakeld, brandt de lamp. De lamp gaat ongeveer 10 seconden na het uitschakelen uit.

OPMERKING: Als de resterende acculading laag wordt, begint de lamp te knipperen. Het moment waarop de lamp begint te knipperen is afhankelijk van de temperatuur op de werkplek en de staat van de accu.

► Fig.5: 1. Zuigkrachtkeuzeknop 2. Aan-uitknop 3. Lamp

MONTAGE

⚠ LET OP: Zorg altijd dat het gereedschap is uitgeschakeld en de accu ervan is verwijderd alvorens enig werk aan het gereedschap uit te voeren.

Beschrijving van de onderdelen

Optioneel accessoire

Hoogwaardig filter en frame met sponsfilter

► Fig.6: 1. Beker 2. Hoogwaardig filter 3. Frame 4. Sponsfilter

Voorfilter of hoogwaardig filter en HEPA-filter

- **Fig.7:** 1. Beker 2. Voorfilter 3. Hoogwaardig filter
4. HEPA-filter

KENNISGEVING: Leg geen optioneel filter (niet-geweven doek) in het hoogwaardige filter. De filters kunnen dan niet uit de stofzuiger worden verwijderd.

OPMERKING: Leg geen optioneel filter (niet-geweven doek) tussen het HEPA-filter en het voorfilter. De zuigkracht kan dan afnemen.

OPMERKING: Gebruik altijd het hoogwaardige filter tezamen met een daarvoor origineel ontworpen frame wanneer u het over het HEPA-filter plaatst.

- **Fig.8:** 1. Hoogwaardig filter 2. Frame (ontworpen voor het hoogwaardige filter)

Het stof weggooien

⚠ LET OP: Leeg de stofzuiger voordat deze te vol raakt omdat dan de zuigkracht afneemt.

⚠ LET OP: Vergeet niet ook het stof binnenin de stofzuiger zelf te verwijderen. Als u dit nalaat, kan het filter verstopt raken of de motor beschadigd raken.

Om het stof dat aan het filter kleeft in de beker te laten vallen, tikt u met uw hand 4 of 5 keer tegen de beker.

- **Fig.9:** 1. Beker

Richt de zuigmond omlaag, draai de beker in de richting van de pijl zoals aangegeven in de afbeelding, en haal de beker langzaam en recht eraf.

- **Fig.10:** 1. Beker 2. Zuigmond

OPMERKING: Wanneer de beker eraf wordt gehaald, kan het stof eruit vallen, dus plaatst u eerst een afvalzak onder de beker.

Verwijder het verzamelde stof uit de binnenkant van de beker en het hoogwaardige filter.

- **Fig.11:** 1. Beker 2. Hoogwaardig filter

Verdraai het hoogwaardige filter in de richting van de pijl om de bevestigingslip los te maken van de behuizing van de stofzuiger, en trek vervolgens het hoogwaardige filter eraf.

- **Fig.12:** 1. Bevestigingslip

OPMERKING: Bij gebruik van het voorfilter, volgt u ook de bovenstaande procedure.

Verwijder het fijne stof en tik er voorzichtig tegen om het stof los te maken uit het hoogwaardige filter.

In elkaar zetten

Breng het hoogwaardige filter aan. Let er daarbij op het hoogwaardige filter te verdraaien zodat de bevestigingslip goed vergrendeld wordt in de behuizing van de stofzuiger.

- **Fig.13:** 1. Hoogwaardig filter

- **Fig.14:** 1. Bevestigingslip

KENNISGEVING: Controleer altijd of het hoogwaardige filter correct is aangebracht voordat u de stofzuiger gaat gebruiken. Als het niet correct is aangebracht, zal het stof binnendringen in het motorhuis en tot motorstoring leiden. In het geval dat hierna wordt beschreven zich voordoet, is het hoogwaardige filter niet correct aangebracht. Breng het opnieuw en correct aan om het probleem op te lossen.

Bevestig de beker. Lijn de markering op de beker uit met de markering op de handgreep en verdraai de beker daarna stevig in de richting van de pijl tot hij wordt vergrendeld.

- **Fig.15:** 1. Merkteken 2. Handgreep 3. Beker

OPMERKING: Verwijder het stof altijd tijdig omdat de zuigkracht lager wordt wanneer er te veel stof in de stofzuiger zit.

Voorbeelden van problemen

De bevestigingslip van het hoogwaardige filter is niet goed vergrendeld in de gleuf in de behuizing van de stofzuiger.

- **Fig.16:** 1. Bevestigingslip 2. Gleuf in de behuizing van de stofzuiger

Het frame/HEPA-filter aanbrengen en verwijderen

Optioneel accessoire

Voor het frame en sponsfilter

Om het frame te verwijderen, duwt u de onderkant van de stangen van het frame met uw vingers omhoog zodat de gleuf ervan los komt van het uitsteeksel in de stofzuiger. Verwijder daarna het sponsfilter.

- **Fig.17:** 1. Frame 2. Sponsfilter

Om het aan te brengen, lijnt u de gleuven in het frame uit met de uitsteeksel in de stofzuiger en duwt u tot het vastklikt.

Breng het sponsfilter tussen de stangen door aan op zijn oorspronkelijke plaats.

Voor het HEPA-filter

Bij het aanbrengen van het HEPA-filter, plaatst u de gleuven in het HEPA-filter op de uitsteeksel in de stofzuiger. Plaats daarna het voorfilter of het hoogwaardige filter over het HEPA-filter en verdraai het om het te vergrendelen. Om het te verwijderen, volgt u de procedurestappen voor het aanbrengen in de omgekeerde volgorde.

- **Fig.18:** 1. HEPA-filter 2. Voorfilter

- **Fig.19:** 1. HEPA-filter 2. Hoogwaardig filter

BEDIENING

⚠ LET OP: Houd tijdens gebruik van de stofzuiger uw gezicht uit de buurt van het luchtrooster. Als vreemde voorwerpen in iemands ogen worden geblazen, kan dat leiden tot persoonlijk letsel.

De hulpstukken van de stofzuiger aanbrengen en verwijderen

⚠ LET OP: Controleer na het aanbrengen van het hulpstuk of dit stevig is aangebracht. Als het hulpstuk niet correct is aangebracht, kan het losraken en persoonlijk letsel veroorzaken.

⚠ LET OP: Wees voorzichtig dat u uw hand niet tegen de muur, enz. stoot bij het verwijderen van het hulpstuk.

Bij gebruik van een hulpstuk met vergrendelfunctie

Om het hulpstuk aan te brengen, steekt u deze in de zuigmond van de stofzuiger totdat hij vastklikt. Verzekeer u ervan dat het hulpstuk vergrendeld is.

► **Fig.20:** 1. Zuigmond 2. Hulpstuk met vergrendelfunctie 3. Haak 4. Ontgrendelknop

KENNISGEVING: Bij het aanbrengen van het hulpstuk met vergrendelfunctie, moet u de ontgrendelknop op de stofzuiger uitlijnen met de haak op het hulpstuk. Als deze niet uitgelijnd zijn, zal het hulpstuk niet vergrendeld worden en kan deze van de stofzuiger af vallen.

Om hem te verwijderen, drukt u de ontgrendelknop in en trekt u tegelijkertijd het hulpstuk eraf.

► **Fig.21:** 1. Ontgrendelknop 2. Hulpstuk met vergrendelfunctie

Bij gebruik van een hulpstuk zonder vergrendelfunctie

⚠ LET OP: Om het hulpstuk zonder vergrendelfunctie aan te brengen, steekt u deze in de zuigmond en verdraait u hem in de richting van de pijl voor een stevige verbinding tijdens gebruik. Om het hulpstuk te verwijderen, verdraait u deze ook in de richting van de pijl en trekt u hem eraf. Als u het hulpstuk in de tegenovergestelde richting verdraait, kan de beker los raken.

► **Fig.22**

Schoonmaken (zuigen)

Mondstuk

Bevestig het mondstuk voor het schoonmaken van tafels, bureaus, meubels, enz. Het mondstuk kan eenvoudig op de stofzuiger worden geplaatst.

► **Fig.23:** 1. Mondstuk

Mondstuk + verlengbuis (rechte buis)

De verlengbuis past tussen het mondstuk en de stofzuigermond. Deze werkwijze is handig bij het stofzuigen van de grond terwijl u rechtop staat.

► **Fig.24:** 1. Behuizing van de stofzuiger
2. Verlengbuis (rechte buis) 3. Mondstuk

Plintmondstuk

Bevestig het plintmondstuk voor het stofzuigen in hoeken en spleten van meubels of in auto's.

► **Fig.25:** 1. Plintmondstuk 2. Behuizing van de stofzuiger

U kunt het plintmondstuk opbergen in de mondstukhouder.

► **Fig.26:** 1. Mondstukhouder 2. Plintmondstuk

⚠ LET OP: Wees voorzichtig dat uw vinger(s) niet bekneld raakt/raken tussen het plintmondstuk en de mondstukhouder. Beknelde vinger(s) kan/kunnen tot letsel leiden.

Plintmondstuk + verlengbuis (rechte buis)

In kleine ruimten waar de stofzuiger zelf niet in past, of op hoge plaatsen die moeilijk te bereiken zijn, gebruikt u deze werkwijze.

► **Fig.27:** 1. Plintmondstuk 2. Verlengbuis (rechte buis) 3. Behuizing van de stofzuiger

Stofzuigen zonder mondstuk

U kunt poeder en stof opzuigen zonder een mondstuk.

► **Fig.28**

Voor het opzuigen van stof vanaf een vloer terwijl u rechtop staat, is het handig om de verlengbuis aan te brengen op de stofzuiger.

► **Fig.29:** 1. Verlengbuis (rechte buis)

ONDERHOUD

⚠ LET OP: Zorg altijd dat het gereedschap is uitgeschakeld en de accu ervan is verwijderd alvorens te beginnen met onderhoud of inspectie.

Om de VEILIGHEID en BETROUWBAARHEID van het gereedschap te handhaven, dienen alle reparaties, overig onderhoud en afstellingen te worden uitgevoerd door een door Makita erkend servicecentrum of het fabrieksservicecentrum, en altijd met gebruikmaking van originele Makita-ervangingsonderdelen.

Na gebruik

⚠ LET OP: Als u de stofzuiger tegen een muur laat leunen zonder enige andere steun, kan de stofzuiger omvallen waardoor persoonlijk letsel of schade aan de stofzuiger kan ontstaan.

► **Fig.30**

Schoonmaken

⚠ LET OP: Maak de filters schoon wanneer deze verstopt raken. Als u ze blijft gebruiken terwijl ze verstopt zijn, kan dat leiden tot warmteontwikkeling of brand.

KENNISGEVING: Gebruik nooit benzine, wasbenzine, thinner, alcohol en dergelijke. Hierdoor kunnen verkleuring, vervormingen en barsten worden veroorzaakt.

KENNISGEVING: Blaas stof dat op de stofzuiger en filters zit er niet af met behulp van een perslucht pistool. Hierdoor kan het stof in het huis komen en een defect veroorzaken.

KENNISGEVING: Nadat de filters zijn gewassen, droogt u ze grondig voordat u ze gebruikt. Onvoldoende gedroogde filters kunnen leiden tot slecht zuigen en de levensduur van de motor verkorten.

KENNISGEVING: Nadat de filters en het sponsfilter zijn gereinigd, vergeet u niet ze weer aan te brengen vóór gebruik. Als u de stofzuiger gebruikt zonder de filters en het sponsfilter, zal het stof binnendringen in het motorhuis en een defect veroorzaken.

Behuizing van de stofzuiger

Veeg regelmatig de buitenkant (behuizing) van de stofzuiger schoon met een in zeepwater bevochtigde doek. Maak tevens de stofzuigermond en de filterbevestigingsplaats schoon.

► Fig.31

Hoogwaardig filter

Was het filter in zeepwater als deze verstopt zit met stof en de zuigkracht van de stofzuiger is afgenomen. Droog het goed alvorens weer te gebruiken.

► Fig.32

HEPA-filter

Optioneel accessoire

KENNISGEVING: Schrob of kras het HEPA-filter niet met harde voorwerpen, zoals een borstel of een schuurspons.

Een verstopt HEPA-filter veroorzaakt slechte zuigprestaties. Maak het filter regelmatig schoon.

Was af en toe het HEPA-filter in water, spoel het en laat het goed drogen in de schaduw voordat u het weer gebruikt. Was het filter nooit in een wasmachine.

► Fig.33

Sponsfilter

Wanneer het sponsfilter vuil is geworden, maakt u het als volgt schoon.

1. Verwijder de filters vanaf het frame.
2. Trek het sponsfilter tussen de stangen door eruit.
3. Maak het sponsfilter schoon door het te kloppen of te wassen. Als u het wast, droogt u het goed alvorens het te gebruiken.
4. Plaats het sponsfilter tussen de stangen door op zijn oorspronkelijke plaats. Zorg ervoor dat elke onder-rand van een stang het sponsfilter op zijn plaats gedrukt houdt en er geen opening zit tussen het sponsfilter en de stofzuigermond.

► Fig.34: 1. Sponsfilter 2. Onderrand van stang

Muurbevestiging voor de accustofzuiger

Optioneel accessoire

OPMERKING: De schroef voor bevestiging van de houder is niet bijgeleverd. Bereid een schroef voor die geschikt is voor het materiaal waarin hij wordt geschroefd.

Bevestig de muurbevestiging voor de accustofzuiger op een massieve houten wand, balk of pilaar waaraan de muurbevestiging voor de accustofzuiger stevig kan worden bevestigd. Verzeker u er altijd van dat de muurbevestiging voor de accustofzuiger stevig bevestigd is voordat u de stofzuiger erin hangt.

► Fig.35: 1. Muurbevestiging voor de accustofzuiger

⚠ LET OP: Hang de stofzuiger niet met geweld in de muurbevestiging en hang er geen ander apparaat in dan de stofzuiger.

Problemen oplossen

Alvorens om reparatie te verzoeken, controleert u de volgende punten.

Symptoom	Mogelijke oorzaak	Mogelijke oplossing
Geringe zuigkracht	Zit de beker vol stof?	Gooi het stof in de beker weg.
	Zit het filter verstopt?	Reinig of was het filter.
	Is de accu leeg?	Laad de accu op.
Apparaat werkt niet	Is de accu leeg?	Laad de accu op.
Lawaai en trillingen	Zit het filter verstopt?	Reinig of was het filter.
	Is het mondstuk, de buis of de zuigmond van het apparaat verstopt?	Hef de verstopping in het mondstuk, de pijp of de zuigmond van het apparaat op.
	Wordt het mondstuk, de pijp of de zuigmond geblokkeerd?	Blokkeer het mondstuk, de pijp of de zuigmond niet.

⚠ LET OP: Probeer de stofzuiger niet zelf te repareren.

OPTIONELE ACCESSOIRES

⚠ LET OP: Deze accessoires of hulpstukken worden aanbevolen voor gebruik met het Makita gereedschap dat in deze gebruiksaanwijzing is beschreven. Bij gebruik van andere accessoires of hulpstukken bestaat het gevaar van persoonlijke letsel. Gebruik de accessoires of hulpstukken uitsluitend voor hun bestemde doel.

Wenst u meer bijzonderheden over deze accessoires, neem dan contact op met het plaatselijke Makita-servicecentrum.

- Verlengbuis (rechte buis)
- Mondstuk
- Mondstuk voor tapijt
- Boekenplankborstel
- Plintmondstuk
- Ronde borstel
- Flexibele slang
- Filter (niet-geweven doek)
- Voorfilter
- Hoogwaardig filter
- HEPA-filter
- Stoelmondstuk
- Spleetmondstuk
- Muurbevestiging voor de accustofzuiger
- Cyclooneenheid
- Cycloohulpstuk
- Gereedschapszak
- Originele Makita accu's en acculaders

OPMERKING: Sommige items op de lijst kunnen zijn inbegrepen in de doos van het gereedschap als standaard toebehoren. Deze kunnen van land tot land verschillen.

Cycloohulpstuk

Optioneel accessoire

- **Fig.36:** 1. Ontgrendelknop 2. Haak 3. Verlengbuis (rechte buis) 4. Cycloohulpstuk 5. Zuigmond

Over het cycloohulpstuk

Als u de stofzuiger gebruikt met het cycloohulpstuk aangebracht, wordt de hoeveelheid stof verlaagd die in de beker terecht komt, wat helpt om de afname van de zuigkracht te voorkomen. Bovendien is het schoonmaken na gebruik ook eenvoudig.

⚠ LET OP: Zorg altijd dat het gereedschap is uitgeschakeld en de accu ervan is verwijderd alvorens enige werkzaamheden aan het gereedschap uit te voeren. Als u de accu erop laat zitten, kan de stofzuiger onverwachts starten en letsel veroorzaken.

⚠ LET OP: Reinig het gasfilter van het cycloohulpstuk en de filters van de stofzuiger wanneer deze verstopt raken. Als u ze blijft gebruiken terwijl ze verstopt zijn, kan dat leiden tot warmte- of rookontwikkeling.

KENNISGEVING: Wanneer het cycloohulpstuk is aangebracht, mag u de stofzuiger niet in een horizontale of omhoog gerichte stand gebruiken. Als u dat toch doet, kan het gasfilter verstopt raken.

KENNISGEVING: Gebruik de stofzuiger altijd met de filters aangebracht, ook wanneer u het cycloohulpstuk gebruikt. Als u de stofzuiger gebruikt zonder dat de filters zijn aangebracht, kan een storing optreden in de motor.

OPMERKING: Controleer vóór gebruik of het cycloonhulpstuk, de stofzuiger en de verlengbuis (rechte buis) goed zijn vergrendeld.

OPMERKING: Maak de stofvangdoos van het cycloonhulpstuk en de beker van de stofzuiger leeg wanneer stof zich heeft opgehoopt. Als u hem blijft gebruiken, zal dat leiden tot een lagere zuigkracht.

OPMERKING: U kunt ook het cycloonhulpstuk gebruiken zonder de vergrendelingsfunctie.

OPMERKING: Om het cycloonhulpstuk aan te brengen of te verwijderen, raadpleegt u het tekstdeel "De hulpstukken van de stofzuiger aanbrengen en verwijderen".

Wanneer het gaasfilter erg vuil wordt, reinigt u het aan de hand van de volgende procedure.

1. Draai het gaasfilter in de richting van de pijl en verwijder het nadat de haken ontgrendeld zijn.

► **Fig.40:** 1. Gaasfilter 2. Haak

2. Verwijder het stof op het gaasfilter en was het daarna met water. Laat het vervolgens goed drogen.

3. Steek het gaasfilter in de voet terwijl de haken zijn uitgelijnd met de openingen. Draai het gaasfilter in de richting van de pijl tot de haken met een klik worden vergrendeld. Verzeker u ervan dat het gaasfilter stevig is aangebracht.

► **Fig.41:** 1. Gaasfilter 2. Haak 3. Opening

Het stof weggooien

Wanneer het stof zich heeft opgehoopt tot aan de 'vol'-lijn op de stofvangdoos, volgt u de onderstaande procedure en gooit u het stof weg.

1. Houd de stofvangdoos stevig vast, houd de twee knoppen ingedrukt en verwijder de stofvangdoos.

► **Fig.37:** 1. 'Vol'-lijn 2. Stofvangdoos 3. Knop (twee plaatsen) 4. Gaasfilter

2. Gooi het stof in de stofvangdoos weg en verwijder alle stof en poeder die vastzit op het oppervlak van het gaasfilter.

3. Steek de stofvangdoos helemaal erop totdat de twee knoppen met een klik vergrendelen.

► **Fig.38:** 1. Stofvangdoos 2. Knop (twee plaatsen)

⚠ LET OP: Let bij het weer aanbrengen van de stofvangdoos erop dat uw vingers niet bekneld raken.

OPMERKING: Controleer vóór gebruik of het cycloonhulpstuk, de stofzuiger en de verlengbuis (rechte buis) goed zijn vergrendeld voordat u de werkzaamheden hervat.

OPMERKING: Als de zuigkracht niet is hersteld nadat het stof is weggegooid en het gaasfilter is schoongemaakt, controleert u of stof zich heeft opgehoopt in de beker van de stofzuiger of er een verstopping is opgetreden.

OPMERKING: Het stof kan omhoog vliegen wanneer u het weggooit uit het cycloonhulpstuk. Wees voorzichtig zodat het stof niet in uw ogen komt.

Schoonmaken

⚠ LET OP: Nadat het cycloonhulpstuk is gewassen, droogt u het grondig vóór gebruik. Onvoldoende gedroogde onderdelen kunnen een elektrische schok of schade aan het apparaat veroorzaken.

Wanneer de stofvangdoos vuil wordt of het gaasfilter verstopt raakt, verwijdert u ze en wast u ze af met water. (Raadpleeg "Het stof weggooien" voor de verwijderingsprocedure.)

Laat de onderdelen goed drogen voordat u ze weer aanbrengt en gebruikt.

► **Fig.39:** 1. Stofvangdoos 2. Gaasfilter

ADVERTENCIA

- Este aparato puede ser utilizado por niños de 8 o más años de edad y personas con capacidades físicas, sensoriales o mentales mermadas, o sin experiencia y conocimiento, si han recibido supervisión o instrucción para el uso del aparato de forma segura y son conscientes del peligro que implica.
- Los niños no deben jugar con el aparato. La limpieza y mantenimiento que debe hacer el usuario no deben ser realizados por niños sin supervisión.
- Consulte el capítulo "ESPECIFICACIONES" para ver la referencia del tipo de batería.
- Consulte la sección "Instalación o extracción del cartucho de batería" para ver cómo retirar o instalar la batería.
- Para desechar el cartucho de batería, retírelo de la herramienta y deséchelo en un lugar seguro. Siga los reglamentos locales referentes al desecho de la batería.
- Si la herramienta no va a ser utilizada durante un periodo de tiempo largo, la batería deberá ser retirada de la herramienta.
- No cortocircuite el cartucho de batería.
- Consulte el capítulo "MANTENIMIENTO" para ver los detalles apropiados de las precauciones durante el mantenimiento hecho por el usuario.

ESPECIFICACIONES

Modelo:		DCL284F
Capacidad		730 ml
Uso continuo (con batería BL1830B)	1 (Modo silencioso)	Aprox. 38 min
	2 (Modo de velocidad normal)	Aprox. 21 min
	3 (Modo de velocidad alta)	Aprox. 15 min
	4 (Modo de velocidad máxima)	Aprox. 8 min
Longitud total (con tubo, boquilla, y batería BL1830B)		1.066 mm
Tensión nominal		CC 18 V
Peso neto		1,3 - 1,7 kg

- Debido a nuestro continuado programa de investigación y desarrollo, las especificaciones aquí dadas están sujetas a cambios sin previo aviso.
- Las especificaciones pueden ser diferentes de país a país.
- El peso no incluye accesorios excepto el cartucho(s) de batería. El peso de las combinaciones menos pesada y más pesada del aparato y cartucho(s) de batería se muestra en la tabla.

Cartucho de batería y cargador aplicables

Cartucho de batería	BL1815N / BL1820B / BL1830B / BL1840B / BL1850B / BL1860B
Cargador	DC18RC / DC18RD / DC18RE / DC18SD / DC18SE / DC18SF / DC18SH / DC18WC

- Algunos de los cartuchos de batería y cargadores indicados arriba puede que no estén disponibles dependiendo de su región de residencia.

⚠ ADVERTENCIA: Utilice solamente los cartuchos de batería y cargadores listados arriba. La utilización de cualquier otro cartucho de batería y cargador puede ocasionar heridas y/o un incendio.

Símbolos

A continuación se muestran los símbolos que pueden ser utilizados para el equipo. Asegúrese de que entienda su significado antes de utilizar.



Lea el manual de instrucciones.



Una batería representativa aplicable a este producto.



Ni-MH
Li-Ion

Sólo para países de la Unión Europea
Debido a la presencia de componentes peligrosos en el equipo, el equipo eléctrico y electrónico, los acumuladores y las baterías desechados pueden tener un impacto negativo para el medioambiente y la salud humana. ¡No tire los aparatos eléctricos y electrónicos ni las baterías junto con los residuos domésticos! De conformidad con las Directivas Europeas sobre residuos de aparatos eléctricos y electrónicos y sobre acumuladores y baterías, así como la adaptación de las mismas a la ley nacional, el equipo eléctrico, las baterías y los acumuladores desechados deberán ser almacenados por separado y trasladados a un punto distinto de recogida de desechos municipales, que cumpla con los reglamentos sobre protección medioambiental. Esto se indica mediante el símbolo de cubo de basura tachado colocado en el equipo.

Uso previsto

La herramienta ha sido prevista para recoger polvo seco.

ADVERTENCIAS DE SEGURIDAD

Advertencias de seguridad para la aspiradora inalámbrica

⚠ ADVERTENCIA: ¡IMPORTANTE! LEA CON ATENCIÓN todas las advertencias de seguridad y todas las instrucciones ANTES DE UTILIZAR. No seguir las advertencias e instrucciones puede resultar en una descarga eléctrica, un incendio y/o heridas graves.

1. No exponga el aparato a la lluvia. Almacene el aparato en interiores.
2. No permita que el aparato sea utilizado como juguete. Es necesario prestar mucha atención cuando el aparato sea utilizado por niños o cerca de ellos.
3. Utilice el aparato solamente de la forma descrita en este manual. Utilice solamente los accesorios recomendados por el fabricante.
4. No utilice el aparato con una batería dañada. Si el aparato no está funcionando como es debido, si se ha dejado caer, se ha dañado, se ha dejado en exteriores, o se ha caído al agua, llévelo a un centro de servicio.
5. No maneje el aparato con las manos mojadas.
6. No ponga ningún objeto dentro de las aberturas. No utilice el aparato con ninguna de sus aberturas bloqueada; manténgalo libre de polvo, hilachas, pelo, y cualquier cosa que pueda reducir el flujo de aire.
7. Mantenga el pelo, ropa holgada, dedos, y todas las partes del cuerpo alejadas de las aberturas y partes en movimiento.
8. Desactive todos los controles antes de extraer la batería.
9. Tenga cuidado especial cuando limpie en escaleras.
10. No utilice el aparato para recoger líquidos inflamables o combustibles, tal como gasolina, ni en áreas donde pueda haber tales líquidos.
11. Utilice para recargar solamente el cargador suministrado por el fabricante.
12. No recoja nada que esté quemándose o echando humo, tal como cigarrillos, cerillas, o cenizas calientes.
13. No utilice el aparato sin estar instalados la bolsa de polvo y/o los filtros.
14. No cargue la batería en exteriores.
15. Recargue solamente con el cargador especificado por el fabricante. Un cargador que es apropiado para un tipo de batería puede crear un riesgo de incendio cuando se utiliza con otra batería.
16. Utilice los aparatos solamente con las baterías designadas específicamente para ellos. La utilización de cualquier otra batería puede crear un riesgo de heridas y de incendio.
17. Cuando la batería no esté siendo utilizada, manténgala alejada de otros objetos metálicos, como sujetapapeles, monedas, llaves, clavos, tornillos u otros objetos metálicos pequeños, que puedan hacer conexión entre un terminal y otro.
18. En condiciones abusivas, es posible que salga expulsado líquido de la batería; evite el contacto con él. Si se produce un contacto accidental, enjuague con agua.
19. No utilice una batería ni aparato que esté dañado o modificado. Las baterías dañadas o modificadas pueden comportarse de forma impredecible resultando en un incendio, explosión o riesgo de heridas.
20. No exponga una batería ni aparato al fuego o a una temperatura excesiva. La exposición al fuego o a una temperatura superior a los 130°C puede ocasionar una explosión.
21. Siga todas las instrucciones sobre la carga y no cargue la batería ni el aparato fuera del rango de temperatura especificado en las instrucciones. Cargar incorrectamente o a temperaturas fuera del rango especificado puede dañar la batería y aumentar el riesgo de incendio.

GUARDE ESTAS INSTRUCCIONES.

NORMAS DE SEGURIDAD ADICIONALES

Este aparato ha sido previsto para ser utilizado en el hogar.

1. Lea este manual de instrucciones y el manual de instrucciones del cargador atentamente antes de utilizar el aparato.
2. No recoja los materiales siguientes:
 - Sustancias calientes que estén ardiendo o echando humo (cigarrillos, cerillas, varillas de incienso, velas, cenizas calientes), chispas y polvo metálico generado al cortar o esmerilar metal, etc.
 - Líquido inflamable (keroseno, gasolina, disolventes, como bencina, diluyente, etc.)
 - Material inflamable (tónor, pintura, aerosol, etc.)
 - Sustancias explosivas o pirofóricas (nitroglicerina, aluminio, magnesio, titanio, zinc, fósforo rojo, fósforo amarillo, celuloide, etc., y su polvo, gas o vapor)
 - Líquido, aceite, suciedad mojada o basura húmeda, incluidos vómitos y excrementos
 - Piezas duras con bordes cortantes (virutas de madera, metales, piedras, cristales, clavos, alfileres, cuchillas de afeitar o cubertería)
 - Polvo fino solidificándose y conductor (polvo metálico o de carbón)
 - Espuma como la de agente de limpieza de alfombras, etc. (pueden ocasionar una explosión o incendio)
 - Gran cantidad de polvo (harina, polvo de extintor de incendios, etc.)
 - Sustancias que ocasionan síntomas de toxicidad
 - Sustancias químicas agresivas (ácido, álcali, etc.)
 - Polvo aglutinante fino, como cemento
 - Partículas finas similares al polvo de cemento
 - Desecantes
 - Asbestos
 - PesticidasTales acciones podrán causar un incendio, heridas y/o daños a la propiedad.
Para reducir su exposición a estas sustancias químicas, póngase siempre protección respiratoria homologada, como máscaras contra el polvo que estén diseñadas especialmente para filtrar partículas microscópicas. Dirija el aire de escape en una dirección alejada de su cara y cuerpo.
3. **Detenga inmediatamente la operación si nota algo anormal.**
4. **Si deja caer o golpea la aspiradora, compruebe atentamente si tiene grietas o algún daño antes de iniciar la operación.**
5. **No lo acerque a estufas u otras fuentes de calor.**
6. **No bloquee el orificio de admisión ni los orificios de ventilación.**

GUARDE ESTAS INSTRUCCIONES.

Instrucciones de seguridad importantes para el cartucho de batería

1. Antes de utilizar el cartucho de batería, lea todas las instrucciones e indicaciones de precaución sobre (1) el cargador de baterías, (2) la batería, y (3) el producto con el que se utiliza la batería.
2. No desensamble ni manipule el cartucho de batería. Podrá resultar en un incendio, calor excesivo, o una explosión.
3. Si el tiempo de uso se acorta demasiado, cese la operación inmediatamente. Podría resultar en un riesgo de recalentamiento, posibles quemaduras e incluso una explosión.
4. Si entra electrólito en sus ojos, aclárelos con agua limpia y acuda a un médico inmediatamente. Existe el riesgo de poder perder la vista.
5. No cortocircuite el cartucho de batería:
 - (1) No toque los terminales con ningún material conductor.
 - (2) Evite guardar el cartucho de batería en un cajón junto con otros objetos metálicos, como clavos, monedas, etc.
 - (3) No exponga el cartucho de batería al agua ni a la lluvia.Un cortocircuito en la batería puede producir una gran circulación de corriente, un recalentamiento, posibles quemaduras e incluso una rotura de la misma.
6. No guarde ni utilice la herramienta y el cartucho de batería en lugares donde la temperatura pueda alcanzar o exceder los 50 °C.
7. Nunca incinere el cartucho de batería incluso en el caso de que esté dañado seriamente o ya no sirva en absoluto. El cartucho de batería puede explotar si se tira al fuego.
8. No clave, corte, aplaste, lance, deje caer el cartucho de batería, ni golpee contra un objeto duro el cartucho de batería. Tal conducta podrá resultar en un incendio, calor excesivo, o una explosión.
9. **No utilice una batería dañada.**
10. **Las baterías de litio-ion contenidas están sujetas a los requisitos de la Legislación para Materiales Peligrosos.**
Para transportes comerciales, p.ej., por terceras personas y agentes de transportes, se deberán observar requisitos especiales para el empaquetado y etiquetado.
Para la preparación del artículo que se va a enviar, se requiere consultar con un experto en materiales peligrosos. Por favor, observe también la posibilidad de reglamentos nacionales más detallados. Cubra con cinta aislante o enmascare los contactos expuestos y empaquete la batería de tal manera que no se pueda mover alrededor dentro del embalaje.
11. **Para desechar el cartucho de batería, retírelo de la herramienta y deséchelo en un lugar seguro. Siga los reglamentos locales referentes al desecho de la batería.**

12. **Utilice las baterías solamente con los productos especificados por Makita.** La instalación de las baterías en productos no compatibles puede resultar en un incendio, calor excesivo, explosión, o fuga de electrolito.
13. **Si la herramienta no va a ser utilizada durante un periodo de tiempo largo, la batería deberá ser retirada de la herramienta.**
14. **Durante y después de la utilización, el cartucho de batería podrá acumular calor, lo cual puede ocasionar quemaduras o quemaduras de baja temperatura. Preste atención al manejo de cartuchos de batería calientes.**
15. **No toque el terminal de la herramienta inmediatamente después de utilizar, dado que puede calentarse lo suficiente como para ocasionar quemaduras.**
16. **No permita que virutas, polvo, o tierra se adhieran dentro de los terminales, orificios, y ranuras del cartucho de batería.** Esto podría ocasionar calentamiento, que coja fuego, reviente y un mal funcionamiento de la herramienta o el cartucho de batería, resultando en quemaduras o heridas personales.
17. **A menos que la herramienta pueda utilizarse cerca de cables eléctricos de alta tensión, no utilice el cartucho de batería cerca de cables eléctricos de alta tensión.** Podrá resultar en un mal funcionamiento o rotura de la herramienta o el cartucho de batería.
18. **Mantenga la batería alejada de los niños.**

GUARDE ESTAS INSTRUCCIONES.

⚠PRECAUCIÓN: Utilice solamente baterías genuinas de Makita. La utilización de baterías no genuinas de Makita, o baterías que han sido alteradas, puede resultar en una explosión de la batería ocasionando incendios, heridas personales y daños. También anulará la garantía de Makita para la herramienta y el cargador de Makita.

Consejos para alargar al máximo la vida de servicio de la batería

1. **Cargue el cartucho de batería antes de que se descargue completamente. Detenga siempre la operación y cargue el cartucho de batería cuando note menos potencia en la herramienta.**
2. **No cargue nunca un cartucho de batería que esté completamente cargado. La sobrecarga acortará la vida de servicio de la batería.**
3. **Cargue el cartucho de batería a temperatura ambiente de 10 °C - 40 °C. Si un cartucho de batería está caliente, déjelo enfriar antes de cargarlo.**
4. **Cuando no esté utilizando el cartucho de batería, retírelo de la herramienta o del cargador.**
5. **Cargue el cartucho de batería si no lo utiliza durante un periodo de tiempo prolongado (más de seis meses).**

DESCRIPCIÓN DEL FUNCIONAMIENTO

⚠PRECAUCIÓN: Asegúrese siempre de que la herramienta está apagada y el cartucho de batería retirado antes de realizar cualquier ajuste o comprobación en la herramienta.

⚠PRECAUCIÓN: Tenga cuidado de no pillarse el dedo(s) entre la aspiradora y la batería como se muestra en el diagrama cuando instale la batería. Si se pilla el dedo(s) podrá ocasionarse una herida.

► Fig.1

Instalación o extracción del cartucho de batería

⚠PRECAUCIÓN: Apague siempre la herramienta antes de instalar o retirar el cartucho de batería.

⚠PRECAUCIÓN: Sujete la herramienta y el cartucho de batería firmemente cuando instale o retire el cartucho de batería. Si no sujeta la herramienta y el cartucho de batería firmemente podrán caérsele de las manos y resultar en daños a la herramienta y al cartucho de batería y heridas personales.

Para retirar el cartucho de batería, deslícelo de la herramienta mientras desliza el botón de la parte frontal del cartucho.

► Fig.2: 1. Indicador rojo 2. Botón 3. Cartucho de batería

Para instalar el cartucho de batería, alinee la lengüeta del cartucho de batería con la ranura del alojamiento y deslícelo al interior hasta encajarlo en su sitio. Insértele por completo hasta que se bloquee en su sitio con un pequeño chasquido. Si puede ver el indicador rojo como se muestra en la figura, no estará bloqueado completamente.

⚠PRECAUCIÓN: Instale siempre el cartucho de batería completamente hasta que no pueda verse el indicador rojo. En caso contrario, podrá caerse accidentalmente de la herramienta y ocasionarle heridas a usted o a alguien que esté cerca de usted.

⚠PRECAUCIÓN: No instale el cartucho de batería empleando fuerza. Si el cartucho no se desliza al interior fácilmente, será porque no está siendo insertado correctamente.

Sistema de protección de la herramienta / batería

La herramienta está equipada con un sistema de protección de la herramienta/batería. Este sistema corta automáticamente la alimentación del motor para alargar la vida útil de la herramienta y la batería. La herramienta se detendrá automáticamente durante la operación si la herramienta o la batería es puesta en una de las condiciones siguientes.

Sobrecargada:

La herramienta/batería es utilizada de una manera que hace que tenga que absorber una corriente anormalmente alta. En esta situación, apague la herramienta y detenga la aplicación que ocasiona que la herramienta se sobrecargue. Después encienda la herramienta para volver a empezar.

Recalentada:

La herramienta/batería está recalentada. En esta situación, deje que la herramienta/batería se enfríe antes de encender la herramienta otra vez.

Tensión baja en la batería:

La capacidad de batería restante es muy baja y la herramienta no funcionará. En esta situación, retire la batería y vuelva a cargarla.

Protecciones contra otras causas:

También hay un sistema de protección diseñado para otras causas que pueden dañar la herramienta y que permite a la herramienta detenerse automáticamente. Realice todos los pasos siguientes para despejar las causas, cuando la herramienta haya sido llevada a una pausa temporal o a una parada en la operación.

1. Apague la herramienta, y después enciéndala otra vez para volver a empezar.
2. Cargue la(s) batería(s) o reemplácela(s) con una batería(s) recargada(s).
3. Deje que la herramienta y la(s) batería(s) se enfríen.












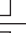




Si no se nota una mejora al restablecer el sistema de protección, póngase en contacto con el centro de servicio Makita local.

Modo de indicar la capacidad de batería restante

Solamente para cartuchos de batería con el indicador

► Fig.3: 1. Lámparas indicadoras 2. Botón de comprobación

Presione el botón de comprobación en el cartucho de batería para indicar la capacidad de batería restante. Las lámparas indicadoras se iluminan durante unos pocos segundos.

Lámparas indicadoras			Capacidad restante
 Iluminada	 Apagada	 Parpadeando	
			75% a 100%
			50% a 75%
			25% a 50%
			0% a 25%
			Cargue la batería.
  ↑ ↓  			Puede que la batería no esté funcionando bien.





NOTA: Dependiendo de las condiciones de utilización y de la temperatura ambiente, la indicación podrá variar ligeramente de la capacidad real.

NOTA: La primera lámpara indicadora (extremo izquierdo) parpadeará cuando el sistema de protección de la batería esté funcionando.

Accionamiento del interruptor

► Fig.4: 1. Botón de cambio de potencia de succión
2. Botón de apagado/encendido

Para poner en marcha la aspiradora, simplemente presione el botón de apagado/encendido. Para apagar, presione el botón de apagado/encendido otra vez. Puede cambiar la potencia de succión de la aspiradora en cuatro pasos presionando el botón de cambio de potencia de succión. Cada pulsación de este botón repite el modo Silencioso/Normal/Alta/Máxima en un ciclo.

Nivel	Indicación	Modo
1		Modo silencioso
2		Modo de velocidad normal
3		Modo velocidad alta
4		Modo de velocidad máxima

NOTA: Puede cambiar la potencia de succión antes de encender la aspiradora.

NOTA: La aspiradora se pondrá en marcha con la misma potencia de succión que la de la última operación.

Encendido de la lámpara

PRECAUCIÓN: No mire a la luz ni vea la fuente de luz directamente.

Para encender la lámpara, presione el botón de cambio de potencia de succión. La lámpara se apagará en 10 segundos aproximadamente.

Mientras la aspiradora está en marcha, la lámpara se mantiene encendida.

La lámpara se apagará aproximadamente 10 segundos después de detener la operación.

NOTA: Cuando la capacidad de batería restante se vuelve baja, la lámpara comienza a parpadear. El momento en el que la lámpara comenzará a parpadear dependerá de la temperatura en el lugar de trabajo y las condiciones del cartucho de batería.

► Fig.5: 1. Botón de cambio de potencia de succión
2. Botón de apagado/encendido 3. Lámpara

MONTAJE

⚠ PRECAUCIÓN: Asegúrese siempre de que la herramienta está apagada y el cartucho de batería retirado antes de realizar cualquier trabajo en la herramienta.

Descripción de las partes

Accesorios opcionales

Filtro de alto rendimiento y soporte y filtro de esponja

- Fig.6: 1. Cápsula 2. Filtro de alto rendimiento 3. Soporte 4. Filtro de esponja

Prefiltro o filtro de alto rendimiento y filtro HEPA

- Fig.7: 1. Cápsula 2. Prefiltro 3. Filtro de alto rendimiento 4. Filtro HEPA

AVISO: No cubra el filtro de alto rendimiento con un filtro opcional (paño no tejido). Los filtros podrían no poderse retirar de la aspiradora.

NOTA: No instale un filtro opcional (paño no tejido) entre el filtro HEPA y el prefiltro. La fuerza de succión podrá reducirse.

NOTA: Utilice siempre el filtro de alto rendimiento que está enmarcado con un soporte diseñado originalmente cuando lo superponga en el filtro HEPA.

- Fig.8: 1. Filtro de alto rendimiento 2. Soporte (diseñado para el filtro de alto rendimiento)

Extracción del polvo

⚠ PRECAUCIÓN: Vacíe la aspiradora antes de que se llene demasiado, o la fuerza de succión se debilitará.

⚠ PRECAUCIÓN: Asegúrese de vaciar el polvo del interior de la propia aspiradora. De lo contrario, el filtro podrá obstruirse o dañarse el motor.

Para que el polvo adherido en el filtro caiga en la cápsula, golpee la cápsula 4 o 5 veces con la mano.

- Fig.9: 1. Cápsula

Orienta la boca de succión hacia abajo, gire la cápsula en la dirección de la flecha en el diagrama, y desconecte la cápsula despacio y en línea recta.

- Fig.10: 1. Cápsula 2. Boca de succión

NOTA: El polvo se puede derramar cuando se abre la cápsula, por lo que asegúrese de poner una bolsa de basura debajo de la cápsula.

Retire el polvo acumulado en el interior de la cápsula y filtro de alto rendimiento.

- Fig.11: 1. Cápsula 2. Filtro de alto rendimiento

Gire el filtro de alto rendimiento en la dirección de la flecha para soltar la pestaña de sujeción de la aspiradora y después extraiga el filtro.

- Fig.12: 1. Pestaña de sujeción

NOTA: Cuando utilice el prefiltro, siga también el procedimiento de arriba.

Quite el polvo fino y golpee ligeramente para remover el polvo del filtro de alto rendimiento.

Nuevo montaje

Conecte el filtro de alto rendimiento. En este momento, asegúrese de girar el filtro de alto rendimiento de forma que la pestaña de sujeción quede bloqueada firmemente dentro de la unidad de la aspiradora.

- Fig.13: 1. Filtro de alto rendimiento

- Fig.14: 1. Pestaña de sujeción

AVISO: Asegúrese siempre de comprobar que el filtro de alto rendimiento está colocado correctamente antes de utilizar la aspiradora. Si no está colocado correctamente, el polvo entrará en el alojamiento del motor, y ocasionará un fallo de motor. Si se produce un problema como el descrito más abajo, el filtro de alto rendimiento no estará colocado correctamente. Vuelva a colocarlo correctamente para rectificar el problema.

Coloque la cápsula. Alinee la marca de la cápsula con la marca de la empuñadura y después gire la cápsula firmemente en la dirección de la flecha hasta que quede sujeta.

- Fig.15: 1. Marca 2. Empuñadura 3. Cápsula

NOTA: Extraiga siempre el polvo con anticipación, ya que la potencia de succión se reducirá si hay demasiado polvo en la aspiradora.

Ejemplos de problemas

La pestaña de sujeción del filtro de alto rendimiento no está bloqueada firmemente dentro de la ranura de la carcasa de la aspiradora.

- Fig.16: 1. Pestaña de sujeción 2. Ranura de la carcasa de la aspiradora

Instalación o desmontaje del soporte/filtro HEPA

Accesorios opcionales

Para el soporte y filtro de esponja

Para retirar el soporte, empuje hacia arriba la parte inferior de los pilares del soporte con los dedos y libere su ranura de la protuberancia de la aspiradora. Después de eso, retire el filtro de esponja.

- Fig.17: 1. Soporte 2. Filtro de esponja

Para instalar, alinee las ranuras del soporte con la protuberancia de la aspiradora y empuje hasta que produzca un chasquido.

Inserte el filtro de esponja entre los pilares y colóquelo en la posición original.

Para el filtro HEPA

Cuando instale el filtro HEPA, encaje la ranura del filtro HEPA con la protuberancia de la aspiradora. Después, ponga el prefiltro o el filtro de alto rendimiento en el filtro HEPA y gírelo para sujetarlo. Para retirar, siga el procedimiento de instalación a la inversa.

- Fig.18: 1. Filtro HEPA 2. Prefiltro

- Fig.19: 1. Filtro HEPA 2. Filtro de alto rendimiento

OPERACIÓN

⚠PRECAUCIÓN: No acerque la cara a la rejilla de ventilación cuando esté utilizando la aspiradora. Si objetos extraños sopladados entran en sus ojos, podrá resultar en heridas personales.

Instalación y desmontaje de accesorios de aspiradora

⚠PRECAUCIÓN: Después de instalar accesorios, compruebe que están instalados firmemente. Si los accesorios están instalados incorrectamente, se pueden caer y ocasionar heridas personales.

⚠PRECAUCIÓN: Tenga cuidado de no golpearse la mano contra la pared, etc., cuando retire los accesorios.

Cuando utilice el accesorio con función de bloqueo

Para instalar el accesorio, insértelo en la boca de succión de la aspiradora hasta que produzca un chasquido. Asegúrese de que el accesorio está bloqueado.

► **Fig.20:** 1. Boca de succión 2. Accesorio con función de bloqueo 3. Gancho 4. Botón de liberación

AVISO: Cuando instale el accesorio con función de bloqueo, asegúrese de alinear el botón de liberación de la aspiradora con el gancho del accesorio. Si no están alineados, el accesorio no se bloqueará y se podrá caer de la aspiradora.

Para retirar, tire del accesorio mientras presiona el botón de liberación.

► **Fig.21:** 1. Botón de liberación 2. Accesorio con función de bloqueo

Cuando utilice el accesorio sin función de bloqueo

⚠PRECAUCIÓN: Para conectar el accesorio sin función de bloqueo, gírelo e insértelo en la dirección de la flecha para sujetar la conexión durante la utilización. Para desconectar el accesorio, gírelo y extráigalo también en la dirección de la flecha. Si el accesorio es girado en la dirección opuesta, es posible que la cápsula se afloje.

► **Fig.22**

Limpieza (Succión)

Boquilla

Coloque la boquilla para limpiar mesas, escritorios, muebles, etc. La boquilla se coloca fácilmente.

► **Fig.23:** 1. Boquilla

Boquilla + Tubo de extensión (Tubo recto)

El tubo de extensión se encaja entre la boquilla y la propia aspiradora. Esta disposición resulta útil para limpiar un suelo en posición erecta.

► **Fig.24:** 1. Cuerpo de la aspiradora 2. Tubo de extensión (Tubo recto) 3. Boquilla

Boquilla para bastidores

Encaje la boquilla para bastidores para limpiar esquinas y resquicios de un automóvil o mueble.

► **Fig.25:** 1. Boquilla para bastidores 2. Cuerpo de la aspiradora

Puede guardar la boquilla para bastidores en el portaboquilla.

► **Fig.26:** 1. Portaboquilla 2. Boquilla para bastidores

⚠PRECAUCIÓN: Tenga cuidado de no pillarse el dedo (o los dedos) entre la boquilla para bastidores y el portaboquilla. Si se pilla el dedo (o los dedos) podrá ocasionarse una herida.

Boquilla para bastidores + Tubo de extensión (Tubo recto)

En espacios reducidos donde la propia aspiradora no pueda entrar, o en lugares altos difíciles de alcanzar, utilice esta disposición.

► **Fig.27:** 1. Boquilla para bastidores 2. Tubo de extensión (Tubo recto) 3. Cuerpo de la aspiradora

Limpieza sin boquilla

Puede recoger partículas y polvo sin la boquilla.

► **Fig.28**

Para recoger polvo del suelo en posición erecta, es más cómodo si se coloca el tubo de extensión en la aspiradora.

► **Fig.29:** 1. Tubo de extensión (Tubo recto)

MANTENIMIENTO

⚠PRECAUCIÓN: Asegúrese siempre de que la herramienta está apagada y de que el cartucho de batería está retirado antes de intentar hacer una inspección o mantenimiento.

Para mantener la SEGURIDAD y FIABILIDAD del producto, las reparaciones, y cualquier otra tarea de mantenimiento o ajuste deberán ser realizadas en centros de servicio o de fábrica autorizados por Makita, empleando siempre repuestos Makita.

Después de la utilización

⚠PRECAUCIÓN: La colocación de la aspiradora contra una pared sin ningún otro soporte podrá ocasionar que la aspiradora se caiga, resultando en heridas personales o daños a la aspiradora.

► **Fig.30**

Limpieza

PRECAUCIÓN: Limpie los filtros cuando se obstruyan. Continuar utilizando estando obstruidos, podrá resultar en recalentamiento o un incendio.

AVISO: No utilice nunca gasolina, bencina, disolvente, alcohol o similares. Podría producir descoloración, deformación o grietas.

AVISO: No sople el polvo adherido a la aspiradora y los filtros con un soplador de aire.

Introducirá polvo dentro del alojamiento y ocasionará fallos.

AVISO: Después de lavar los filtros, séquelos completamente antes de utilizar. Un secado insuficiente de los filtros puede ocasionar una mala succión y acortar la vida de servicio del motor.

AVISO: Después de limpiar los filtros y el filtro de esponja, asegúrese de volver a instalarlos antes de utilizar. Si utiliza la aspiradora sin los filtros y el filtro de esponja, el polvo entrará en el alojamiento del motor y ocasionará un mal funcionamiento.

Cuerpo de la aspiradora

De vez en cuando, limpie el exterior de la aspiradora (cuerpo de la aspiradora) utilizando un paño humedecido en agua jabonosa.

Limpie también la abertura de succión y el área de montaje del filtro.

► Fig.31

Filtro de alto rendimiento

Lave el filtro en agua jabonosa cuando esté obstruido con polvo y la potencia de la aspiradora se debilita.

Séquelos completamente antes de utilizarlos.

► Fig.32

Filtro HEPA

Accesorios opcionales

AVISO: No frote o rasque el filtro HEPA con objetos duros tales como un cepillo y una paleta.

El filtro HEPA obstruido ocasionará un mal rendimiento de succión. Limpie el filtro de vez en cuando.

Lave ocasionalmente el filtro HEPA en agua, aclárelo y séquelos completamente en la sombra antes de utilizarlo. No lave nunca el filtro en una lavadora.

► Fig.33

Filtro de esponja

Cuando el filtro de esponja se ensucie, límpiolo de la forma siguiente.

1. Retire los filtros que cubren el soporte.
2. Extraiga el filtro de esponja pasándolo entre los pilares.
3. Limpie el filtro de esponja golpeándolo ligeramente o lavándolo. Si lo lava, séquelos completamente antes de utilizar.
4. Inserte el filtro de esponja pasándolo entre los pilares y colóquelo en la posición original. Asegúrese de que cada borde inferior del pilar sujete el filtro de esponja, y que no haya holgura entre el filtro de esponja y la abertura de succión.

► Fig.34: 1. Filtro de esponja 2. Borde inferior del pilar

Colgador de pared para la aspiradora inalámbrica

Accesorios opcionales

NOTA: El tornillo para montar el soporte no está incluido. Prepare un tornillo apropiado para el material en el que se va a atomillar.

Coloque el colgador de pared para la aspiradora inalámbrica en una pared, viga o columna de madera dura, donde el colgador de pared para la aspiradora inalámbrica se pueda sujetar firmemente. Asegúrese siempre de que el colgador de pared para la aspiradora inalámbrica está colocado firmemente antes de colgar la aspiradora.

► Fig.35: 1. Colgador de pared para la aspiradora inalámbrica

PRECAUCIÓN: No cuelgue la aspiradora en el colgador de pared a lo bruto ni cuelgue otro aparato aparte de la aspiradora.

Solución de problemas

Antes de solicitar una reparación, compruebe los puntos siguientes.

Síntoma	Área a investigar	Método de reparación
Poca potencia de succión	¿Está llena de polvo la cápsula?	Vacíe el polvo de la cápsula.
	¿Está obstruido el filtro?	Limpie o lave el filtro.
	¿Está descargado el cartucho de batería?	Cargue el cartucho de batería.
No funciona	¿Está descargado el cartucho de batería?	Cargue el cartucho de batería.
Ruido y vibración	¿Está obstruido el filtro?	Limpie o lave el filtro.
	¿Está obstruida la boquilla, el tubo o la boca de succión del aparato?	Retire los objetos atascados en la boquilla, el tubo o la boca de succión del aparato.
	¿Está atascada la boquilla, el tubo, o la boca de succión?	No bloquee la boquilla, el tubo, ni la boca de succión.

⚠ PRECAUCIÓN: No intente reparar la aspiradora usted mismo.

ACCESORIOS OPCIONALES

⚠ PRECAUCIÓN: Estos accesorios o aditamentos están recomendados para su uso con la herramienta Makita especificada en este manual.

El uso de cualquier otro accesorio o aditamento puede suponer un riesgo de heridas personales. Utilice el accesorio o aditamento solamente con la finalidad indicada para el mismo.

Si necesita cualquier ayuda para más detalles en relación con estos accesorios, pregunte al centro de servicio Makita local.

- Tubo de extensión (Tubo recto)
- Boquilla
- Boquilla para alfombras
- Cepillo para estanterías
- Boquilla para bastidores
- Cepillo redondo
- Manguera flexible
- Filtro (paño no tejido)
- Prefiltro
- Filtro de alto rendimiento
- Filtro HEPA
- Boquilla para asientos
- Boquilla para resquicios
- Colgador de pared para la aspiradora inalámbrica
- Unidad ciclónica
- Colector ciclónico
- Bolsa de herramientas
- Batería y cargador genuinos de Makita

NOTA: Algunos elementos de la lista podrán estar incluidos en el paquete de la herramienta como accesorios estándar. Pueden variar de un país a otro.

Colector ciclónico

Accesorios opcionales

- **Fig.36:** 1. Botón de liberación 2. Gancho 3. Tubo de extensión (Tubo recto) 4. Colector ciclónico 5. Boca de succión

Acerca del colector ciclónico

La utilización de la aspiradora con el colector ciclónico instalado reduce la cantidad de polvo que entra en la cápsula, lo que ayuda a evitar que la fuerza de succión se debilite. Además, la limpieza después de la utilización también se simplifica.

⚠ PRECAUCIÓN: Asegúrese siempre de que la herramienta está apagada y el cartucho de batería ha sido retirado antes de realizar cualquier trabajo en la herramienta. Si el cartucho de batería se deja insertado, la aspiradora podrá ponerse en marcha inesperadamente y resultar en heridas.

⚠ PRECAUCIÓN: Limpie el filtro de malla del colector ciclónico y los filtros de la unidad de la aspiradora cuando se obstruyan. Continuar utilizando estando obstruidos, podrá resultar en calentamiento o humo.

AVISO: Cuando el colector ciclónico esté colocado, no utilice la aspiradora en una posición horizontal u orientada hacia arriba. Si lo hace podrá ocasionar que el filtro de malla se obstruya.

AVISO: Utilice siempre la aspiradora con los filtros instalados, aun cuando utilice el colector ciclónico. La utilización de la aspiradora sin los filtros instalados podrá resultar en un mal funcionamiento del motor.

NOTA: Compruebe que el colector ciclónico, la aspiradora, y el tubo de extensión (tubo recto) están bloqueados debidamente antes de utilizar.

NOTA: Vacíe el recipiente para polvo del colector ciclónico y la cápsula de la aspiradora cuando se haya acumulado polvo. Continuar utilizando, resultará en una debilitación de la fuerza de succión.

NOTA: También puede utilizar el colector ciclónico sin la función de bloqueo.

NOTA: Para instalar o desmontar el colector ciclónico, consulte la sección "Instalación y desmontaje de accesorios de aspiradora".

Cuando el filtro de malla se ensucie mucho, límpielo siguiendo los procedimientos siguientes.

1. Gire el filtro de malla en la dirección de la flecha y retírelo mientras los ganchos están desbloqueados.

► **Fig.40:** 1. Filtro de malla 2. Gancho

2. Retire el polvo del filtro de malla y después lávelo con agua. Después de eso, séquelo completamente.

3. Inserte el filtro de malla en la base mientras los ganchos están alineados con la abertura. Gire el filtro de malla en la dirección de la flecha hasta que los ganchos se bloqueen con un chasquido. Asegúrese de que el filtro de malla está instalado firmemente.

► **Fig.41:** 1. Filtro de malla 2. Gancho 3. Abertura

Extracción del polvo

Cuando el polvo se haya acumulado hasta la línea de lleno del recipiente para polvo, siga el procedimiento de abajo y deseche el polvo.

1. Sujete el recipiente para polvo firmemente, mantenga presionados los dos botones, y retire el recipiente para polvo.

► **Fig.37:** 1. Línea de lleno 2. Recipiente para polvo 3. Botón (dos lugares) 4. Filtro de malla

2. Deseche el polvo de dentro del recipiente para polvo y retire cualquier resto de polvo adherido a la superficie del filtro de malla.

3. Inserte el recipiente para polvo a fondo hasta que los dos botones se bloqueen con un chasquido.

► **Fig.38:** 1. Recipiente para polvo 2. Botón (dos lugares)

⚠PRECAUCIÓN: Cuando vuelva a instalar el recipiente para polvo, tenga cuidado de no pillarse los dedos.

NOTA: Compruebe que el colector ciclónico, la aspiradora, y el tubo de extensión (tubo recto) están bloqueados debidamente antes de reanudar la operación.

NOTA: Si la fuerza de succión no se recupera incluso después de desechar el polvo y limpiar el filtro de malla, compruebe si se ha acumulado polvo en la cápsula de la aspiradora o si se ha producido obturación.

NOTA: El polvo podrá subir rápidamente cuando se deseche del colector ciclónico. Tenga cuidado de no dejar que el polvo entre en sus ojos.

Limpieza

⚠PRECAUCIÓN: Después de lavar el colector ciclónico, séquelo completamente antes de utilizar. Los componentes secados insuficientemente pueden ocasionar una descarga eléctrica o daños al aparato.

Cuando el recipiente para polvo se ensucie o el filtro de malla se obstruya, retírelos y lávelos con agua. (Consulte "Extracción del polvo" para ver el procedimiento de extracción).

Seque las partes completamente antes de volver a instalar y utilizar.

► **Fig.39:** 1. Recipiente para polvo 2. Filtro de malla

AVISO

- Este aparelho pode ser utilizado por crianças com idade a partir de 8 anos e por pessoas com capacidades físicas, sensoriais ou mentais reduzidas ou falta de experiência e conhecimento, se tiverem recebido supervisão ou instruções relativamente à utilização do aparelho de forma segura e tiverem compreendido os perigos envolvidos.
- As crianças não devem brincar com o aparelho. A limpeza e manutenção pelo utilizador não devem ser efetuadas por crianças sem supervisão.
- Consulte o capítulo “ESPECIFICAÇÕES” para ficar a saber a referência de tipo da bateria.
- Consulte a secção “Instalar ou remover a bateria” para saber como remover ou instalar a bateria.
- Quando eliminar a bateria, remova-a da ferramenta e elimine-a num local seguro. Siga os regulamentos locais relacionados com a eliminação de baterias.
- Se a ferramenta não for utilizada durante um período de tempo prolongado, a bateria deve ser removida da ferramenta.
- Não coloque a bateria em curto-circuito.
- Consulte o capítulo “MANUTENÇÃO” para obter as informações adequadas sobre as precauções a ter durante a manutenção pelo utilizador.

ESPECIFICAÇÕES

Modelo:	DCL284F	
Capacidade	730 mL	
Utilização contínua (com bateria BL1830B)	1 (Modo silencioso)	Aprox. 38 min
	2 (Modo de velocidade normal)	Aprox. 21 min
	3 (Modo de velocidade alta)	Aprox. 15 min
	4 (Modo de velocidade máx.)	Aprox. 8 min
Comprimento total (com tubo, bocal e bateria BL1830B)	1.066 mm	
Voltagem nominal	CC 18 V	
Peso líquido	1,3 - 1,7 kg	

- Devido a um programa contínuo de pesquisa e desenvolvimento, estas especificações estão sujeitas a alteração sem aviso prévio.
- As especificações podem variar de país para país.
- O peso não inclui os acessórios mas a(s) bateria(s). Os pesos combinados mais leve e mais pesado do aparelho e da(s) bateria(s) são indicados na tabela.

Bateria e carregador aplicável

Bateria	BL1815N / BL1820B / BL1830B / BL1840B / BL1850B / BL1860B
Carregador	DC18RC / DC18RD / DC18RE / DC18SD / DC18SE / DC18SF / DC18SH / DC18WC

- Algumas das baterias e carregadores listados acima poderão não estar disponíveis, dependendo da sua região de residência.

⚠AVISO: Utilize apenas as baterias e carregadores listados acima. A utilização de quaisquer outras baterias e carregadores pode causar ferimentos e/ou um incêndio.

Símbolos

A seguir são apresentados os símbolos que podem ser utilizados para o equipamento. Certifique-se de que compreende o seu significado antes da utilização.



Leia o manual de instruções.



Uma bateria típica aplicável a este produto.



Apenas para países da UE
Devido à presença de componentes perigosos no equipamento, os resíduos de equipamentos elétricos e eletrónicos, acumuladores e baterias podem ter um impacto negativo no meio ambiente e na saúde humana.
Não elimine aparelhos elétricos e eletrónicos ou baterias juntamente com resíduos domésticos!
De acordo com a Diretiva europeia relativa aos resíduos de equipamentos elétricos e eletrónicos, acumuladores e baterias, bem como a respetiva adaptação à legislação nacional, os resíduos de equipamentos elétricos e eletrónicos, acumuladores e baterias devem ser armazenados separadamente e entregues num ponto de recolha separado para resíduos municipais, que opere de acordo com os regulamentos de proteção ambiental.
Tal é indicado pelo símbolo de conteúdo de lixo com rodas barrado com uma cruz colocado no equipamento.

Utilização a que se destina

Esta ferramenta serve para recolher pó seco.

AVISOS DE SEGURANÇA

Avisos de segurança do aspirador de pó a bateria

⚠ AVISO: IMPORTANTE! LEIA COM ATENÇÃO todos os avisos de segurança e todas as instruções ANTES DA UTILIZAÇÃO. Caso não siga os avisos e instruções, pode apanhar um choque elétrico, provocar um incêndio e/ou ferimentos graves.

1. Não exponha à chuva. Guarde dentro de casa.
2. Não permita que seja utilizado como brinquedo. Tenha cuidado especialmente quando o aparelho for utilizado por crianças ou próximo delas.
3. Utilize-o somente de acordo com as instruções deste manual. Utilize somente os acessórios recomendados pelo fabricante.
4. Não utilize com uma bateria danificada. Se o aparelho não funcionar corretamente, for derrubado, danificado, deixado ao ar livre ou cair na água, leve-o ao centro de assistência.
5. Não manuseie o aparelho com as mãos molhadas.
6. Não coloque nenhum objeto nas aberturas. Não o utilize com uma abertura bloqueada; mantenha-o limpo, sem poeira, pelos, cabelos ou qualquer outra coisa que possa reduzir o fluxo de ar.
7. Mantenha os cabelos, roupas largas, dedos e outras partes do corpo afastadas das aberturas e das peças em movimento.
8. Desligue todos os controlos antes de retirar a bateria.
9. Tenha cuidado especialmente ao limpar escadas.
10. Não utilize para aspirar líquidos inflamáveis ou combustíveis, tal como gasolina, nem utilize em áreas onde esses produtos podem estar presentes.
11. Utilize somente o carregador fornecido pelo fabricante para recarregar.
12. Não utilize para aspirar algo que está a queimar ou a soltar fumo, tal como cigarros, fósforos ou cinzas quentes.
13. Não utilize sem o saco para pó e/ou os filtros devidamente instalados.
14. Não carregue a bateria ao ar livre.
15. Recarregue apenas com o carregador especificado pelo fabricante. Um carregador que é adequado para um tipo de conjunto de baterias poderá criar um risco de incêndio quando utilizado com outro conjunto de baterias.
16. Utilize aparelhos apenas com conjuntos de baterias especificamente designados. A utilização de quaisquer outros conjuntos de baterias poderá criar um risco de ferimentos e incêndio.
17. Quando (o) conjunto de baterias não estiver a ser utilizado, mantenha-o afastado de outros objetos de metal, tais como cliques de papel, moedas, chaves, pregos, parafusos ou outros objetos de metal pequenos que possam estabelecer ligação de um terminal a outro.
18. Mediante condições abusivas, o líquido poderá ser ejetado da bateria; evite o contacto. Caso ocorra o contacto acidentalmente, lavar com água.
19. Não utilize um conjunto de baterias ou um aparelho que se encontre danificado ou modificado. As baterias danificadas ou modificadas poderão exibir um comportamento imprevisível, resultando em incêndio, explosão ou risco de ferimentos.
20. Não exponha um conjunto de baterias ou um aparelho a incêndio ou temperatura excessiva. A exposição a incêndio ou a uma temperatura superior a 130 °C poderá causar uma explosão.
21. Siga todas as instruções de carregamento e não carregue o conjunto de baterias ou o aparelho fora da amplitude de temperaturas especificada nas instruções. O carregamento incorreto ou a temperaturas fora da amplitude especificada poderá danificar a bateria e aumentar o risco de incêndio.

GUARDE ESTAS INSTRUÇÕES.

REGRAS DE SEGURANÇA ADICIONAIS

Este aparelho destina-se à utilização doméstica.

1. Antes de utilizar o aparelho, leia cuidadosamente este manual de instruções bem como o manual do carregador.
2. Não aspire os seguintes materiais:
 - Substâncias quentes que estejam a queimar ou a emitir fumo (cigarros, fósforos, incensos, velas e cinzas quentes), faíscas e pó de metal gerado por corte ou esmerilagem de metal, etc.
 - Líquidos inflamáveis (querosene, gasolina, solventes como benzina, diluente, etc.)
 - Materiais inflamáveis (toner, tinta, spray, etc.)
 - Substâncias explosivas ou pirofóricas (nitroglicerina, alumínio, magnésio, titânio, zinco, fósforo vermelho, fósforo amarelo, celulose, etc., e o respetivo pó, gás ou vapor)
 - Líquidos, óleos, sujidade húmida e lixo húmido, incluindo vômitos e excrementos
 - Artigos rígidos com arestas afiadas (aparas de madeira, metais, pedras, vidros, pregos, pinos, lâminas de barbear ou talheres)
 - Pó fino solidificador e condutor (pó de metal ou de carbono)
 - Espuma como os agentes de limpeza de carpetes, etc. (estes podem provocar uma explosão ou um incêndio)
 - Grande quantidade de pó (farinha, pó de extintores de incêndio, etc.)
 - Substâncias que provocam sintomas tóxicos
 - Produtos químicos agressivos (ácido, álcali, etc.)
 - Pó de ligação fino como cimento
 - Partículas finas como pó de cimento
 - Dessecantes
 - Amianto
 - Pesticidas

Tal ação pode provocar incêndio, ferimentos e/ou danos à propriedade.

Para reduzir a sua exposição a estes produtos químicos, utilize sempre uma proteção respiratória aprovada tal como as máscara de poeiras que foram especificamente concebidas para filtrar partículas microscópicas. Aponte o ar de exaustão para longe do seu rosto e corpo.
3. **Desligue o aspirador imediatamente se notar qualquer funcionamento anormal.**
4. **Se deixar cair ou bater o aspirador, inspecione cuidadosamente para ver se há rachaduras ou danos antes de utilizar.**
5. Não aproxime de fogões nem de outras fontes de calor.

6. Não bloqueie os orifícios de entrada e saída de ar.

GUARDE ESTAS INSTRUÇÕES.

Instruções de segurança importantes para a bateria

1. Antes de utilizar a bateria, leia todas as instruções e etiquetas de precaução no (1) carregador de bateria (2) bateria e (3) produto que utiliza a bateria.
2. Não desmonte ou manipule a bateria. Pode resultar num incêndio, em calor excessivo ou numa explosão.
3. Se o tempo de funcionamento se tornar excessivamente curto, pare o funcionamento imediatamente. Pode resultar em sobreaquecimento, possíveis queimaduras e mesmo explosão.
4. Se entrar eletrólito nos seus olhos, lave-os com água e consulte imediatamente um médico. Pode resultar em perda de visão.
5. Não coloque a bateria em curto-circuito:
 - (1) Não toque nos terminais com qualquer material condutor.
 - (2) Evite guardar a bateria juntamente com outros objetos metálicos tais como pregos, moedas, etc.
 - (3) Não exponha a bateria à água ou chuva. Um curto-circuito pode ocasionar um enorme fluxo de corrente, sobreaquecimento, possíveis queimaduras e mesmo estragar-se.
6. Não guarde nem utilize a ferramenta e a bateria em locais onde a temperatura pode atingir ou exceder 50 °C.
7. Não queime a bateria mesmo que esteja estragada ou completamente gasta. A bateria pode explodir no fogo.
8. Não pregue, corte, esmague, atire, deixe cair a bateria, nem bata a bateria contra um objeto rijo. Esta conduta pode resultar num incêndio, em calor excessivo ou numa explosão.
9. Não utilize uma bateria danificada.
10. As baterias de íões de lítio contidas na ferramenta são sujeitas aos requisitos da DGL (Dangerous Goods Legislation - Legislação de bens perigosos).

Para o transporte comercial, por exemplo, por terceiros ou agentes de expedição, têm de ser observados os requisitos referentes à embalagem e etiquetagem.

Para preparação do artigo a ser expedido, é necessário consultar um perito em materiais perigosos. Tenha ainda em conta a possibilidade de existirem regulamentos nacionais mais detalhados.

Coloque fita-cola ou tape os contactos abertos e embale a bateria de tal forma que não possa mover-se dentro da embalagem.
11. Quando eliminar a bateria, remova-a da ferramenta e elimine-a num local seguro. Siga os regulamentos locais relacionados com a eliminação de baterias.

12. **Utilize as baterias apenas com os produtos especificados pela Makita.** Instalar as baterias em produtos não-conformes poderá resultar num incêndio, calor excessivo, explosão ou fuga de eletrólito.
13. **Se a ferramenta não for utilizada durante um período de tempo prolongado, a bateria deve ser removida da ferramenta.**
14. **Durante e após a utilização, a bateria pode aquecer, o que pode provocar queimaduras ou queimaduras a baixa temperatura. Preste atenção ao manuseamento de baterias quentes.**
15. **Não toque no terminal da ferramenta imediatamente após a utilização, pois pode ficar suficientemente quente para provocar queimaduras.**
16. **Não permita a adesão de aparas, pó ou sujidade nos terminais, nos orifícios e nas ranhuras da bateria.** Poderá fazer com que a ferramenta ou a bateria aqueça, incendeie, rebente e avarie, resultando em queimaduras ou ferimentos corporais.
17. **A menos que a ferramenta suporte a utilização perto de linhas elétricas de alta tensão, não utilize a bateria perto de linhas elétricas de alta tensão.** Pode resultar no mau funcionamento ou na avaria da ferramenta ou bateria.
18. **Mantenha a bateria afastada das crianças.**

GUARDE ESTAS INSTRUÇÕES.

⚠️PRECAUÇÃO: Utilize apenas baterias genuínas da Makita. A utilização de baterias não genuínas da Makita ou de baterias que foram alteradas, pode resultar no rebentamento da bateria provocando incêndios, ferimentos pessoais e danos. Além disso, anulará da garantia da Makita no que se refere à ferramenta e ao carregador Makita.

Conselhos para manter a máxima vida útil da bateria

1. **Carregue a bateria antes que esteja completamente descarregada. Pare sempre o funcionamento da ferramenta e carregue a bateria quando notar menos poder na ferramenta.**
2. **Nunca carregue uma bateria completamente carregada. Carregamento excessivo diminui a vida útil da bateria.**
3. **Carregue a bateria à temperatura ambiente de 10 °C – 40 °C. Deixe que uma bateria quente arrefeça antes de a carregar.**
4. **Quando não utilizar a bateria, remova-a da ferramenta ou do carregador.**
5. **Carregue a bateria se não a utilizar durante um longo período de tempo (mais de seis meses).**

DESCRIÇÃO FUNCIONAL

⚠️PRECAUÇÃO: Certifique-se sempre de que a ferramenta está desligada e a bateria foi retirada antes de regular ou verificar qualquer função na ferramenta.

⚠️PRECAUÇÃO: Ao colocar a bateria, tome cuidado para não prender o(s) dedo(s) entre o aspirador e a bateria, como ilustrado no diagrama. Poderá sofrer ferimentos no(s) dedo(s).

► Fig.1

Instalação ou remoção da bateria

⚠️PRECAUÇÃO: Desligue sempre a ferramenta antes de colocar ou retirar a bateria.

⚠️PRECAUÇÃO: Segure firmemente a ferramenta e a bateria quando instalar ou remover a bateria. Se não segurar firmemente a ferramenta e a bateria pode fazer com que escorreguem das suas mãos resultando em danos na ferramenta e na bateria e ferimentos pessoais.

Para retirar a bateria, deslize-a para fora da ferramenta enquanto desliza o botão na frente da bateria.

► Fig.2: 1. Indicador vermelho 2. Botão 3. Bateria

Para instalar a bateria, alinhe a lingueta na bateria com a ranhura na caixa e deslize-a para a posição correta. Insira-a por completo até bloquear na posição correta com um pequeno clique. Se conseguir ver o indicador vermelho conforme apresentado na figura, não está completamente bloqueada.

⚠️PRECAUÇÃO: Instale sempre a bateria até ao fim, até deixar de ver o indicador vermelho. Caso contrário, a bateria poderá cair da ferramenta acidentalmente e provocar ferimentos em si mesmo ou em alguém próximo.

⚠️PRECAUÇÃO: Não instale a bateria à força. Se a bateria não deslizar facilmente é porque não foi colocada corretamente.

Sistema de proteção da ferramenta/bateria

A ferramenta está equipada com um sistema de proteção da ferramenta/bateria. Este sistema desliga automaticamente a alimentação do motor para prolongar a vida útil da ferramenta e da bateria. A ferramenta para automaticamente durante a operação se a ferramenta ou a bateria for colocada sob uma das seguintes condições.

Sobrecarga:

A ferramenta/bateria é utilizada de uma forma que causa a absorção de uma corrente anormalmente alta. Neste caso, desligue a ferramenta e pare a aplicação que fez com que a ferramenta ficasse sobrecarregada. Depois, ligue a ferramenta para a reiniciar.

Sobreaquecimento:

A ferramenta/bateria está sobreaquecida. Nesta situação, deixe a ferramenta/bateria arrefecer antes de voltar a ligar a ferramenta.

Baixa tensão da bateria:

A carga restante da bateria está baixa demais e a ferramenta não funciona. Nesse caso, retire a bateria e recarregue-a.

Proteções contra outras causas:

O sistema de proteção foi também concebido para outras causas que possam danificar a ferramenta e permite à ferramenta parar automaticamente. Tome todas as medidas que se seguem para eliminar as causas quando a ferramenta tiver parado ou interrompido temporariamente a operação.

1. Desligue a ferramenta e, em seguida, volte a ligá-la para reiniciar.
2. Carregue a(s) bateria(s) ou substitua-a(s) por bateria(s) recarregada(s).
3. Deixe a ferramenta e a(s) bateria(s) arrefecerem.
















Se não for possível constatar qualquer melhoria através do restauro do sistema de proteção, contacte o centro de assistência Makita local.

Indicação da capacidade restante da bateria

Apenas para baterias com indicador

► Fig.3: 1. Luzes indicadoras 2. Botão de verificação

Prima o botão de verificação na bateria para indicar a capacidade restante da bateria. As luzes indicadoras acendem durante alguns segundos.

Luzes indicadoras			Capacidade restante
 Aceso	 Apagado	 A piscar	
			75% a 100%
			50% a 75%
			25% a 50%
			0% a 25%
			Carregar a bateria.
			A bateria pode estar avariada.

NOTA: Dependendo das condições de utilização e da temperatura ambiente, a indicação pode ser ligeiramente diferente da capacidade real.





NOTA: A primeira luz indicadora (extremo esquerdo) pisca quando o sistema de proteção da bateria funciona.

Ação do interruptor

- Fig.4: 1. Botão de mudança da potência de sucção
2. Botão LIGAR/DESLIGAR

Para efetuar o arranque do aspirador, prima simplesmente o botão LIGAR/DESLIGAR. Para desligar, prima novamente o botão LIGAR/DESLIGAR.

Pode alterar a potência de sucção do aspirador em quatro passos premindo o botão de mudança da potência de sucção. De cada vez que premir este botão, o modo Silencioso/Normal/Alta/Máx. repete-se num ciclo.

Nível	Indicaçãoção	Modo
1		Modo silencioso
2		Modo de velocidade normal
3		Modo de alta velocidade
4		Modo de velocidade máx.

NOTA: Pode alterar a potência de sucção antes de ligar o aspirador.

NOTA: O aspirador inicia a operação com a mesma potência de sucção da última operação.

Acender a luz

PRECAUÇÃO: Não olhe para a luz ou para a fonte de iluminação diretamente.

Para acender a lâmpada, prima o botão de mudança da potência de sucção. A lâmpada apaga-se em, aproximadamente, 10 segundos.

Enquanto o aspirador está a funcionar, a lâmpada acende-se. A lâmpada apaga-se, aproximadamente, 10 segundos depois de parar a operação.

NOTA: Quando a restante capacidade da bateria ficar fraca, a lâmpada começa a piscar. O momento em que a lâmpada começa a piscar depende da temperatura no local de trabalho e das condições da bateria.

- Fig.5: 1. Botão de mudança da potência de sucção
2. Botão LIGAR/DESLIGAR 3. Lâmpada

MONTAGEM

PRECAUÇÃO: Certifique-se sempre de que a ferramenta está desligada e a bateria retirada antes de executar qualquer trabalho na ferramenta.

Descrição das peças

Acessório opcional

Filtro de elevado desempenho e fixação e filtro de esponja

- Fig.6: 1. Cápsula 2. Filtro de elevado desempenho
3. Fixação 4. Filtro de esponja

Pré-filtro ou filtro de elevado desempenho e filtro HEPA

- **Fig.7:** 1. Cápsula 2. Pré-filtro 3. Filtro de elevado desempenho 4. Filtro HEPA

OBSERVAÇÃO: Não forne o filtro de elevado desempenho com um filtro opcional (tecido falso). Os filtros não podem ser removidos do aspirador.

NOTA: Não instale um filtro opcional (tecido falso) entre o filtro HEPA e o pré-filtro. A potência de sucção pode ser reduzida.

NOTA: Utilize sempre o filtro de elevado desempenho que está estruturado com uma fixação concebida originalmente quando o sobrepõe no filtro HEPA.

- **Fig.8:** 1. Filtro de elevado desempenho 2. Fixação (concebida para o filtro de elevado desempenho)

Eliminar o pó

PRECAUÇÃO: Esvazie o aspirador antes que fique muito cheio, caso contrário a força de sucção diminuirá.

PRECAUÇÃO: Certifique-se de que esvazie o pó do interior do próprio aspirador. Se não o fizer, o filtro pode ficar obstruído ou o motor pode ser danificado.

Para desalojar o pó grudado no filtro na cápsula, bata levemente com a mão na cápsula umas 4 ou 5 vezes.

- **Fig.9:** 1. Cápsula

Aponte o bocal de sucção para baixo, rode a cápsula no sentido da seta mostrada no diagrama e desprenda a cápsula devagar e em linha reta.

- **Fig.10:** 1. Cápsula 2. Bocal de sucção

NOTA: O pó poderá ser derramado quando a cápsula estiver aberta, por isso, certifique-se de que instala um saco do lixo por baixo da cápsula.

Retire o pó acumulado do interior da cápsula e do filtro de elevado desempenho.

- **Fig.11:** 1. Cápsula 2. Filtro de elevado desempenho

Rode o filtro de elevado desempenho no sentido da seta para desapertar a borda de fixação da unidade do aspirador e retire o filtro.

- **Fig.12:** 1. Borda de fixação

NOTA: Quando utilizar o pré-filtro, siga também o procedimento anterior.

Limpe o pó fino e bata-o de leve para desalojar o pó do filtro de elevado desempenho.

Remontagem

Ligue o filtro de elevado desempenho. Agora, certifique-se de que roda o filtro de elevado desempenho de forma a que a borda de fixação fique firmemente bloqueada na unidade do aspirador.

- **Fig.13:** 1. Filtro de elevado desempenho

- **Fig.14:** 1. Borda de fixação

OBSERVAÇÃO: Antes de utilizar o aspirador, certifique-se sempre de que verifica se o filtro de elevado desempenho está corretamente instalado. Se estiver incorretamente instalado, entrará pó na caixa do motor e provocará a falha do motor. Se o problema ocorrer conforme descrito posteriormente, o filtro de elevado desempenho não está corretamente instalado. Volte a instalá-lo corretamente para corrigir o problema.

Prenda a cápsula. Alinhe a marca na cápsula com a marca no cabo e rode a cápsula com firmeza no sentido da seta até prender.

- **Fig.15:** 1. Símbolo 2. Cabo 3. Cápsula

NOTA: Limpe sempre o pó antecipadamente, pois a capacidade de sucção será reduzida se houver muito pó no aspirador.

Exemplos de problemas

A borda de fixação do filtro de elevado desempenho não está bloqueada firmemente na ranhura da caixa do aspirador.

- **Fig.16:** 1. Borda de fixação 2. Ranhura da caixa do aspirador

Instalar ou remover a fixação/o filtro HEPA

Acessório opcional

Para a fixação e o filtro de esponja

Para remover a fixação, empurre a parte inferior dos pilares da fixação para cima com os dedos e solte a respetiva ranhura da saliência no aspirador. Em seguida, remova o filtro de esponja.

- **Fig.17:** 1. Fixação 2. Filtro de esponja

Para instalar, alinhe as ranhuras na fixação com a saliência no aspirador e empurre até encaixar. Insira o filtro de esponja entre os pilares e coloque-o na posição original.

Para o filtro HEPA

Quando instalar o filtro HEPA, encaixe a ranhura do filtro HEPA com a saliência no aspirador. Em seguida, coloque o pré-filtro ou o filtro de elevado desempenho no filtro HEPA e rode-o para fixar. Para remover, siga o procedimento de instalação pela ordem inversa.

- **Fig.18:** 1. Filtro HEPA 2. Pré-filtro

- **Fig.19:** 1. Filtro HEPA 2. Filtro de elevado desempenho

OPERAÇÃO

⚠️ PRECAUÇÃO: Não coloque o rosto próximo do orifício de ventilação quando utilizar o aspirador. Se objetos estranhos forem soprados para os olhos, pode resultar em ferimentos pessoais.

Instalar e remover os acessórios do aspirador

⚠️ PRECAUÇÃO: Após instalar os acessórios, verifique se estes estão firmemente instalados. Se instalar os acessórios de forma imperfeita, estes podem soltar-se e provocar ferimentos pessoais.

⚠️ PRECAUÇÃO: Tenha cuidado para não bater com a mão na parede, etc., quando remover os acessórios.

Quando utilizar o acessório com a função de bloqueio

Para instalar o acessório, insira-o no bocal de sucção do aspirador até encaixar. Certifique-se de que o acessório está bloqueado.

► **Fig.20:** 1. Bocal de sucção 2. Acessório com a função de bloqueio 3. Gancho 4. Botão de libertação

OBSERVAÇÃO: Quando instalar o acessório com a função de bloqueio, certifique-se de que alinha o botão de libertação no aspirador com o gancho no acessório. Se não estiverem alinhados, o acessório não bloqueia e pode soltar-se do aspirador.

Para remover, puxe o acessório enquanto pressiona o botão de libertação.

► **Fig.21:** 1. Botão de libertação 2. Acessório com a função de bloqueio

Quando utilizar o acessório sem a função de bloqueio

⚠️ PRECAUÇÃO: Para ligar o acessório sem a função de bloqueio, rode-o e insira-o no sentido da seta para fixar a ligação durante a utilização. Para retirar os acessórios, rode e extraia-os também no sentido da seta. Se rodar o acessório no sentido oposto, a cápsula pode soltar-se.

► **Fig.22**

Limpeza (Sucção)

Bocal

Instale o bocal para limpar mesas, secretárias, móveis, etc. O bocal encaixa com facilidade.

► **Fig.23:** 1. Bocal

Bocal + Tubo extensor (tubo reto)

O tubo extensor é conectado entre o bocal e o aspirador. Esta disposição é conveniente para limpar um pavimento numa posição vertical.

► **Fig.24:** 1. Armação do aspirador 2. Tubo extensor (tubo reto) 3. Bocal

Bocal para caixilhos

Encaixe o bocal para caixilhos para limpeza de cantos e frestas de automóveis ou móveis.

► **Fig.25:** 1. Bocal para caixilhos 2. Armação do aspirador

Pode guardar o bocal para caixilhos no suporte do bocal.

► **Fig.26:** 1. Suporte do bocal 2. Bocal para caixilhos

⚠️ PRECAUÇÃO: Tenha cuidado para não prender o(s) dedo(s) entre o bocal para caixilhos e o suporte do bocal. Prender o(s) dedo(s) pode provocar ferimentos.

Bocal para caixilhos + Tubo extensor (tubo reto)

Utilize este arranjo para limpar em locais estreitos onde o aspirador não entra ou em locais altos de difícil acesso.

► **Fig.27:** 1. Bocal para caixilhos 2. Tubo extensor (tubo reto) 3. Armação do aspirador

Limpeza sem o bocal

É possível fazer a aspiração de poeira e pó sem o bocal.

► **Fig.28**

Para recolher pó num piso numa posição vertical, é conveniente prender o tubo extensor ao aspirador.

► **Fig.29:** 1. Tubo extensor (tubo reto)

MANUTENÇÃO

⚠️ PRECAUÇÃO: Certifique-se sempre de que a ferramenta se encontra desligada e de que a bateria foi retirada antes de executar qualquer inspeção ou manutenção.

Para manter a SEGURANÇA e a FIABILIDADE do produto, as reparações e qualquer outra manutenção ou ajuste devem ser levados a cabo pelos centros de assistência Makita autorizados ou pelos centros de assistência de fábrica, utilizando sempre peças de substituição Makita.

Após utilização

⚠️ PRECAUÇÃO: Colocar o aspirador contra a parede sem qualquer outro suporte pode fazer com que o aspirador caia, resultando em ferimentos corporais ou danos no aspirador.

► **Fig.30**

Limpeza

⚠ PRECAUÇÃO: Limpe os filtros quando ficarem obstruídos. A utilização continuada no estado obstruído pode dar origem a aquecimento ou incêndio.

OBSERVAÇÃO: Nunca utilize gasolina, benzina, diluente, álcool ou produtos semelhantes. Pode ocorrer a descoloração, deformação ou rachaduras.

OBSERVAÇÃO: Não sobre pó colado no aspirador e nos filtros através do espanador de pó. Traz pó para dentro do compartimento e causa avaria.

OBSERVAÇÃO: Após lavar os filtros, seque-os bem antes da utilização. Os filtros secos de forma insuficiente podem prejudicar a sucção e diminuir a vida útil do motor.

OBSERVAÇÃO: Após limpar os filtros e o filtro de esponja, certifique-se de que os instala antes de usar. Se utilizar o aspirador sem os filtros e o filtro de esponja, o pó entra na caixa do motor e provoca anomalias.

Armação do aspirador

Limpe periodicamente o exterior do aspirador (armação) com um pano humedecido em água e sabão. Limpe também a abertura de sucção e a área de montagem do filtro.

► Fig.31

Filtro de elevado desempenho

Lave o filtro em água e sabão quando estiver obstruído com pó e quando houver redução da potência do aspirador. Seque-o completamente antes de utilizar.

► Fig.32

Filtro HEPA

Acessório opcional

OBSERVAÇÃO: Não esfregue ou arranhe o filtro HEPA com objetos duros, tais como uma escova e uma palheta.

O filtro HEPA entupido causa o fraco desempenho da sucção. Limpe o filtro esporadicamente.

Lave ocasionalmente o filtro HEPA em água, enxágue-o e deixe-o secar bem à sombra antes de usar. Nunca lave o filtro numa máquina de lavar roupa.

► Fig.33

Filtro de esponja

Quando o filtro de esponja ficar sujo, limpe-o do seguinte modo.

1. Remova os filtros que cobrem a fixação.
2. Remova o filtro de esponja de entre os pilares.
3. Limpe o filtro de esponja sacudindo-o ou lavando-o. Se o lavar, seque-o completamente antes de utilizar.
4. Insira o filtro de esponja entre os pilares e instale-o na posição original. Certifique-se de que cada bordo inferior do pilar mantém o filtro de esponja preso e que não existe um intervalo entre o filtro de esponja e a abertura de sucção.

► Fig.34: 1. Filtro de esponja 2. Bordo inferior do pilar

Suporte de parede para aspirador de pó a bateria

Acessório opcional

NOTA: O parafuso para montar o suporte não é incluído. Prepare um parafuso adaptável ao material a aparafusar.

Prenda o suporte de parede para aspirador de pó a bateria numa parede, viga ou coluna de madeira sólida, nas quais o suporte de parede para aspirador de pó a bateria possa ser fixo firmemente. Antes de pendurar o aspirador, assegure sempre que o suporte de parede para aspirador de pó a bateria está preso firmemente.

► Fig.35: 1. Suporte de parede para aspirador de pó a bateria

⚠ PRECAUÇÃO: Não pendure o aspirador no suporte de parede de forma violenta nem pendure outros eletrodomésticos além do aspirador.

Resolução de problemas

Antes de solicitar reparações, verifique os pontos seguintes.

Sintoma	Área a verificar	O que fazer
Potência de sucção fraca	A cápsula está cheia de pó?	Esvazie a cápsula de pó.
	O filtro está obstruído?	Limpe ou lave o filtro.
	A bateria está descarregada?	Carregue a bateria.
Não funciona	A bateria está descarregada?	Carregue a bateria.
Ruído e vibração	O filtro está obstruído?	Limpe ou lave o filtro.
	O bocal, o tubo ou o bocal de sucção do aparelho está entupido?	Remova os objetos entupidos do bocal, tubo ou bocal de sucção do aparelho.
	O bocal/a entrada do tubo está bloqueado(a)?	Não bloqueie o bocal/entrada do tubo.

⚠PRECAUÇÃO: Não tente reparar o aspirador por sua conta.

ACESSÓRIOS OPCIONAIS

⚠PRECAUÇÃO: Estes acessórios ou peças são recomendados para utilização com a ferramenta Makita especificada neste manual. A utilização de outros acessórios ou peças pode ser perigosa para as pessoas. Utilize apenas acessórios ou peças para os fins indicados.

Se necessitar de informações adicionais relativas a estes acessórios, solicite-as ao seu centro de assistência Makita.

- Tubo extensor (tubo reto)
- Bocal
- Bocal para carpete
- Escova para prateleiras
- Bocal para caixilhos
- Escova redonda
- Mangueira flexível
- Filtro (tecido falso)
- Pré-filtro
- Filtro de elevado desempenho
- Filtro HEPA
- Bocal para assentos
- Bocal para frestas
- Suporte de parede para aspirador de pó a bateria
- Unidade de ciclone
- Acessório de ciclone
- Bolsa da ferramenta
- Bateria e carregador genuínos da Makita

NOTA: Alguns itens da lista podem estar incluídos na embalagem da ferramenta como acessórios padrão. Eles podem variar de país para país.

Acessório de ciclone

Acessório opcional

- **Fig.36:** 1. Botão de libertação 2. Gancho 3. Tubo extensor (tubo reto) 4. Acessório de ciclone 5. Bocal de sucção

Informações sobre o acessório de ciclone

A utilização do aspirador com o acessório de ciclone instalado reduz a quantidade de pó que entra na cápsula, o que ajuda a evitar o enfraquecimento da força de sucção. Além disso, a limpeza após a utilização também é simples.

⚠PRECAUÇÃO: Certifique-se sempre de que a ferramenta está desligada e que a bateria foi removida antes de executar qualquer trabalho na ferramenta. Se a bateria permanecer inserida, o aspirador pode arrancar inesperadamente e provocar ferimentos.

⚠PRECAUÇÃO: Limpe o filtro de rede do acessório de ciclone e os filtros da unidade do aspirador quando ficarem obstruídos. A utilização continuada no estado obstruído pode dar origem a aquecimento ou fumo.

OBSERVAÇÃO: Quando o acessório de ciclone estiver preso, não utilize o aspirador numa posição horizontal ou virada para cima. Se o fizer, pode fazer com que o filtro de rede fique obstruído.

OBSERVAÇÃO: Utilize sempre o aspirador com os filtros instalados, mesmo quando utilizar o acessório de ciclone. A utilização do aspirador sem os filtros instalados pode dar origem a uma avaria do motor.

NOTA: Verifique se o acessório de ciclone, o aspirador e o tubo extensor (tubo reto) estão devidamente bloqueados antes da utilização.

NOTA: Esvazie a caixa do pó do acessório de ciclone e a cápsula do aspirador quando se tiver acumulado pó. A utilização continuada vai provocar o enfraquecimento da força de sucção.

NOTA: Pode também utilizar o acessório de ciclone sem a função de bloqueio.

NOTA: Para instalar ou remover o acessório de ciclone, consulte a secção "Instalar e remover os acessórios do aspirador".

Eliminar o pó

Quando o pó se tiver acumulado até à linha de enchimento máximo da caixa do pó, siga o procedimento seguinte e elimine o pó.

1. Segure a caixa do pó firmemente, pressione e mantenha os dois botões pressionados, e remova a caixa do pó.

► **Fig.37:** 1. Linha de enchimento máximo 2. Caixa do pó 3. Botão (dois locais) 4. Filtro de rede

2. Elimine o pó no interior da caixa do pó e remova quaisquer vestígios de pó e poeira que tenham aderido à superfície do filtro de rede.

3. Insira a caixa do pó completamente até os dois botões bloquearem com um clique.

► **Fig.38:** 1. Caixa do pó 2. Botão (dois locais)

⚠PRECAUÇÃO: Quando voltar a montar a caixa do pó, tenha cuidado para não trilhar os dedos.

NOTA: Verifique se o acessório de ciclone, o aspirador e o tubo extensor (tubo reto) estão devidamente bloqueados antes de reiniciar a operação.

NOTA: Se a força de sucção não melhorar mesmo após eliminar o pó e limpar o filtro de rede, verifique se o pó se acumulou na cápsula do aspirador ou se ocorreu obstrução.

NOTA: O pó pode voar alto quando o eliminar do acessório de ciclone. Tenha cuidado para não permitir a entrada de pó nos seus olhos.

Limpeza

⚠PRECAUÇÃO: Após lavar o acessório de ciclone, seque-o bem antes da utilização. Os componentes secos de forma insuficiente podem causar um choque elétrico ou danos no aparelho.

Quando a caixa do pó ficar suja ou o filtro de rede estiver obstruído, remova-os e lave-os com água. (Consulte "Eliminar o pó" para ficar a conhecer o procedimento de remoção.)

Seque as peças completamente antes de voltar a instalar e utilizar.

► **Fig.39:** 1. Caixa do pó 2. Filtro de rede

Quando o filtro de rede ficar muito sujo, limpe-o com os seguintes procedimentos.

1. Rode o filtro de rede na direção da seta e remova-o enquanto os ganchos estiverem desbloqueados.

► **Fig.40:** 1. Filtro de rede 2. Gancho

2. Remova o pó existente no filtro de rede e, em seguida, lave-o com água. Em seguida, seque-o completamente.

3. Insira o filtro de rede na base enquanto os ganchos estiverem alinhados com a porta. Rode o filtro de rede na direção da seta até que os ganchos fiquem bloqueados com um clique. Certifique-se de que o filtro de rede está firmemente instalado.

► **Fig.41:** 1. Filtro de rede 2. Gancho 3. Entrada

ADVARSEL

- Dette apparat kan bruges af børn fra 8 år og derover og personer med nedsatte fysiske, sensoriske eller mentale evner eller manglende erfaring og viden, hvis de er under opsyn eller har modtaget instruktioner i sikker anvendelse af apparatet og forstår de farer, der er involveret.
- Børn må ikke lege med apparatet. Rengøring og brugervedligeholdelse må ikke udføres af børn uden opsyn.
- Se kapitlet "SPECIFIKATIONER" for batteriets typereference.
- Se afsnittet "Installation eller fjernelse af akkuen" for at finde ud af, hvordan man fjerner eller installerer batteriet.
- Når du bortskaffer akkuen, skal du afmontere den fra maskinen og bortskaffe den på et sikkert sted. Følg dine lokale regler vedrørende bortskaffelse af batterier.
- Hvis maskinen ikke skal bruges i en længere periode, skal batteriet fjernes fra maskinen.
- Akkuen må ikke kortsluttes.
- Se kapitlet "VEDLIGEHOLDELSE" for at få de relevante oplysninger om forholdsregler under brugervedligeholdelse.

SPECIFIKATIONER

Model:		DCL284F
Kapacitet		730 ml
Kontinuerlig anvendelse (med batteri BL1830B)	1 (Stilletilstand)	Ca. 38 min
	2 (Normal hastighedstilstand)	Ca. 21 min
	3 (Høj hastighedstilstand)	Ca. 15 min
	4 (Maks. hastighedstilstand)	Ca. 8 min
Samlet længde (med rør, mundstykke og batteri BL1830B)		1.066 mm
Mærkespænding		D.C. 18 V
Nettovægt		1,3 - 1,7 kg

- På grund af vores kontinuerlige forsknings- og udviklingsprogrammer kan hosstående specifikationer blive ændret uden varsel.
- Specifikationer kan variere fra land til land.
- Vægten inkluderer akku(er), men ikke tilbehør. Vægten af den letteste og tungeste kombination af apparat og akku(er) er vist i tabellen.

Anvendelig akku og oplader

Akku	BL1815N / BL1820B / BL1830B / BL1840B / BL1850B / BL1860B
Oplader	DC18RC / DC18RD / DC18RE / DC18SD / DC18SE / DC18SF / DC18SH / DC18WC

- Nogle af de akkuer og opladere, der er angivet ovenfor, er muligvis ikke tilgængelige, afhængigt af hvilket område du bor i.

⚠ ADVARSEL: Brug kun de akkuer og opladere, der er angivet ovenfor. Brug af andre akkuer og opladere kan medføre personskaade og/eller brand.

Symboler

Følgende viser de symboler, der muligvis anvendes til udstyret. Sørg for, at du forstår deres betydning før brugen.



Læs betjeningsvejledningen.



Et repræsentativt batteri, der kan anvendes til dette produkt.



Kun for lande inden for EU
På grund af tilstedeværelsen af farlige komponenter i udstyret kan affald af elektrisk og elektronisk udstyr, akkumulatører og batterier have en negativ indvirkning på miljøet og folkesundheden.
Bortskaf ikke elektriske og elektroniske apparater eller batterier sammen med husholdningsaffald!
I overensstemmelse med EF-direktiv om affaldshåndtering af elektrisk og elektronisk udstyr og akkumulatører og batterier og affaldsakkumulatører og -batterier, og i overensstemmelse med national lovgivning, skal brugt elektrisk udstyr, batterier og akkumulatører opbevares separat og leveres til et separat indsamlingssted for kommunalt affald, der er etableret i henhold til bestemmelserne om miljøbeskyttelse. Dette er angivet ved symbolet på den krydsede skraldespand, der er placeret på udstyret.

Tilsigtet anvendelse

Denne maskine er beregnet til opugning af tørt støv.

SIKKERHEDSADVARSLER

Sikkerhedsadvarsler for akku støvsuger

⚠ ADVARSEL: VIGTIGT! LÆS OMHYGGELIGT alle sikkerhedsadvarsler og alle instruktioner FØR BRUGEN. Hvis advarslerne og instruktionerne ikke overholdes, kan det medføre elektrisk stød, brand og/eller alvorlig personskade.

1. **Udsæt ikke for regn. Opbevares inden døre.**
2. **Må ikke benyttes som legetøj. Nøje overvågning er nødvendig, hvis den anvendes af eller i nærheden af børn.**
3. **Anvend kun som beskrevet i denne brugsvejledning. Anvend kun tilbehørsdele, som anbefales af fabrikanten.**
4. **Anvend ikke med et beskadiget batteri. Hvis apparatet ikke virker, som det skal, er blevet tabt, beskadiget, efterladt uden døre eller har været tabt i vand, skal det indleveres til et servicecenter.**
5. **Rør ikke ved apparatet med våde hænder.**
6. **Stik ikke nogen genstande ind i åbninger. Anvend ikke med blokerede åbninger. Hold dem fri for støv, fnug, hår og alt, hvad der kan hindre luftstrømmen.**

7. **Hold hår, løse beklædningsgenstande, fingre og alle kropsdeler på god afstand af åbningerne og de bevægende dele.**
8. **Deaktiver alle kontroller, inden batteriet tages ud.**
9. **Udvis ekstra forsigtighed ved rengøring på trapper.**
10. **Anvend ikke til at opsuge brændbare eller letantændelige væsker som for eksempel benzin, og anvend ikke på steder, hvor disse væsker kan forefindes.**
11. **Anvend kun den oplader, som leveres af fabrikanten, til genoplading.**
12. **Opsug ikke noget, som brænder eller ryger, for eksempel cigaretter, tændstikker eller varm aske.**
13. **Anvend ikke, uden at støvposen og/eller filtrene er sat på plads.**
14. **Oplad ikke batteriet uden døre.**
15. **Genoplad kun med den oplader, der er angivet af fabrikanten.** En oplader, der er beregnet til én type akku, kan forårsage risiko for brand, hvis den bruges med en anden akku.
16. **Brug kun apparater med specifikt udpegede akkuer.** Brug af andre akkuer kan medføre risiko for personskade og brand.
17. **Når akkuen ikke anvendes, skal du holde den på afstand af andre metalgenstande som f.eks. papirclips, mønter, nøgler, søm, skruer eller andre små metalgenstande, der kan skabe forbindelse fra én terminal til en anden.**
18. **Ved misbrug kan der sprøjte væske ud fra batteriet. Undgå kontakt. Skyl med vand i tilfælde af kontakt.**
19. **Undlad at bruge en akku eller et apparat, der er beskadiget eller ændret.** Beskadigede eller ændrede batterier kan udvise uforudsigelig adfærd, der resulterer i brand, eksplosion eller risiko for personskade.
20. **Undlad at udsætte en akku eller et apparat for brand eller for høj temperatur.** Eksponering for brand eller temperaturer over 130 °C kan forårsage eksplosion.
21. **Følg alle opladningsinstruktioner, og undlad at oplade akkuen eller apparatet uden for det temperaturområde, der er angivet i instruktionerne.** Forkert opladning eller ved temperaturer uden for det angivne område kan beskadige batteriet og øge risikoen for brand.

GEM DENNE BRUGSANVISNING.

SUPPLERENDE SIKKERHEDSREGLER

Dette apparat er beregnet til husholdningsbrug.

1. **Læs denne brugsvejledning og instruktionerne for opladning grundigt inden brugen.**
2. **Undlad at samle følgende materialer op:**
 - Varme stoffer, der brænder eller ryger (cigaretter, tændstikker, røgelsespinde, stearinlys, varm aske), gnister og metalstøv, der opstår ved skæring eller slibning af metal osv.

- Brandfarlig væske (petroleum, benzin, opløsningsmidler såsom benzin, fortynder osv.)
- Brandfarligt materiale (toner, maling spray osv.)
- Explosive eller selvantændelige stoffer (nitroglycerin, aluminium, magnesium, titan, zink, rødt fosfor, gult fosfor, celluloid osv. samt støv, gas eller damp heraf)
- Væske, olie, vådt snavs eller fugtigt affald, herunder opkast og ekskrementer
- Hårde dele med skarpe kanter (træspåner, metaller, sten, glas, søm, knappenåle, barberblade eller bestik)
- Stærknet og ledende fint pulver (metal- eller kulstofpulver)
- Skumlignende rengøringsmiddel til tæpper osv. (de kan forårsage eksplosion eller brand)
- Store mængder pulver (mel, brandslukningspulver osv.)
- Stoffer, der forårsager giftige symptomer
- Aggressive kemikalier (syre, base osv.)
- Fint bindemiddel i pulverform såsom cement
- Fine partikler såsom betonstøv
- Tørremidler
- Asbest
- Pesticider

En sådan handling kan forårsage brand, personskade og/eller materiel skade.

For at reducere din eksponering for disse kemikalier skal du altid bære et godkendt åndedrætsværn såsom støvmasker, der er specielt designet til at filtrere mikroskopiske partikler fra. Ret udstødningsluften væk fra ansigtet og kroppen.

3. Hold øjeblikkeligt op med brugen, hvis du registrerer noget unormalt.
4. Hvis du kommer til at tabe eller støde til støvsugeren, skal du omhyggeligt efterse den for revner eller anden beskadigelse inden brugen.
5. Hold den på god afstand af ovne og andre varmekilder.
6. Undlad at blokere indsugningsåbningen eller ventilationshullerne.

GEM DENNE BRUGSANVISNING.

Vigtige sikkerhedsinstruktioner for akkuen

1. Læs alle instruktioner og advarselmærkater på (1) akku-opladeren, (2) akkuen og (3) produktet, som anvender akku.
2. Adskil eller ændr ikke akkuen. Det kan muligvis resultere i en brand, overdreven varme eller eksplosion.
3. Hold straks op med anvendelsen, hvis brugstiden er blevet stærkt afkortet. Fortsæt anvendelse kan resultere i risiko for overophedning, forbrændinger og endog eksplosion.
4. Hvis De har fået elektrolytvæske i øjnene, skal De straks skylle den ud med rent vand og derefter øjeblikkeligt søge lægehjælp. I modsat fald kan De miste synet.

5. Vær påpasselig med ikke at komme til at kortslutte akkuen:
 - (1) Rør ikke ved terminalerne med noget ledende materiale.
 - (2) Undgå at opbevare akkuen i en beholder sammen med andre genstande af metal, for eksempel søm, mønter og lignende.
 - (3) Udsæt ikke akkuen for vand eller regn. Kortslutning af akkuen kan forårsage en kraftig øgning af strømmen, overophedning, mulige forbrændinger og endog værktøjstop.
6. Opbevar og brug ikke maskinen og akkuen på steder, hvor temperaturen muligvis kan nå eller overstige 50 °C.
7. Lad være med at brænde akkuen, selv ikke i tilfælde, hvor den har lidt alvorlig skade eller er fuldstændig udtjent. Akkuen kan eksplodere, hvis man forsøger at brænde den.
8. Slå ikke søm i, skær ikke i, knus, kast, tab ikke akkuen og stød ikke akkuen mod en hård genstand. Sådan adfærd kan muligvis resultere i en brand, overdreven varme eller eksplosion.
9. Anvend ikke en beskadiget akku.
10. De indbyggede litium-ion-batterier er underlagt lovkrav vedrørende farligt gods. Ved kommerciel transport, f.eks. af tredjeparts transportselskaber, skal særlige krav til forpakning og mærkning overholdes. Ved forberedelse af udstyret til forsendelse skal du kontakte en ekspert i farligt gods. Overhold også eventuel mere detaljeret national lovgivning. Tape eller tildæk åbne kontakter, og pak batteriet på en måde, så det ikke kan flytte sig rundt i pakningen.
11. Når akkuen bortskaftes, skal du fjerne den fra maskinen og bortskaft den på et sikkert sted. Følg de lokale love vedrørende bortskaftelsen af batterier.
12. Brug kun batterierne med de produkter, som Makita specificerer. Hvis batterierne installeres i ikke-kompatible produkter, kan det medføre brand, kraftig varme, eksplosion eller udsivning af elektrolyt.
13. Hvis maskinen ikke skal bruges i længere tid ad gangen, skal du fjerne batteriet fra maskinen.
14. Akkuen kan muligvis under og efter brug være varm, hvilket kan forårsage forbrændinger eller lavtemperaturforbrændinger. Vær påpasselig med håndtering af varme akkuer.
15. Rør ikke terminalen på maskinen straks efter brug, da den bliver varm nok til at forårsage forbrændinger.
16. Sørg for, at spåner, støv eller jord ikke sætter sig fast i akkuens terminaler, huller og riller. Det kan forårsage opvarmning, antændelse, sprængning og funktionsfejl i maskinen eller akkuen, hvilket kan medføre forbrændinger eller personskade.
17. Medmindre maskinen understøtter brugen i nærheden af elektriske højspændingsledninger, skal du ikke anvende akkuen i nærheden af elektriske højspændingsledninger. Det kan muligvis medføre funktionsfejl på eller nedbrud af maskinen eller akkuen.
18. Opbevar batteriet utilgængeligt for børn.

GEM DENNE BRUGSANVISNING.

⚠️FORSIGTIG: Brug kun originale batterier fra Makita. Brug af uoriginale Makita-batterier eller batterier som er blevet ændret, kan muligvis medføre brud på batteriet, hvilket kan forårsage brand, personskade eller beskadigelse. Det ugyldiggør også Makita-garantien for Makita-maskinen og opladeren.

Tips til opnåelse af maksimal akku-levetid

1. Oplad akkuen, inden den er helt afladet. Stop altid værktøjet, og oplad akkuen, hvis De bemærker, at værktøjeffekten er aftagende.
2. Genoplad aldrig en fuldt opladet akku. Overopladning vil afkorte akkuens levetid.
3. Oplad akkuen ved stuetemperatur ved 10 °C - 40 °C. Lad altid en varm akku få tid til at køle af, inden den oplades.
4. Når du ikke anvender akkuen, skal du fjerne den fra maskinen eller opladeren.
5. Oplad akkuen, hvis De ikke skal bruge den i længere tid (mere end seks måneder).

FUNKTIONSBESKRIVELSE

⚠️FORSIGTIG: Sørg altid for at maskinen er slukket, og at akkuen er taget ud, før der udføres justering eller kontrol af funktioner på maskinen.

⚠️FORSIGTIG: Vær påpasselig med ikke at få fingrene i klemme mellem støvsugeren og batteriet som vist på illustrationen, når du sætter batteriet i. Hvis du får fingrene i klemme, kan det medføre personskade.

► Fig.1

Isætning eller fjernelse af akkuen

⚠️FORSIGTIG: Sluk altid for værktøjet, før De monterer eller fjerner akkuen.

⚠️FORSIGTIG: Hold værktøjet og akkuen fast ved montering eller fjernelse af akkuen. Hvis De ikke holder værktøjet og akkuen fast, kan de glide ud af hænderne på Dem og forårsage beskadigelse af værktøjet og akkuen eller personskade.

Akkuen fjernes ved, at De trækker den ud af værktøjet, idet De skyder knappen på forsiden af akkuen i stilling.
► Fig.2: 1. Rød indikator 2. Knap 3. Akku

For at montere akkuen skal du justere tungen på akkuen med rillen i huset og skubbe den på plads. Indsæt den hele vejen, indtil den låses på plads med et lille klik. Hvis du kan se den røde indikator, som vist i figuren, er den ikke helt låst.

⚠️FORSIGTIG: Monter altid akkuen helt, indtil den røde indikator ikke længere er synlig. Hvis dette ikke gøres, kan den falde ud af værktøjet ved et uheld, hvorved De selv eller personer i nærheden kan komme til skade.

⚠️FORSIGTIG: Brug ikke magt ved montering af akkuen. Hvis akkuen ikke glider på plads uden problemer, betyder det, at den ikke sættes i på korrekt vis.

Beskyttelsessystem til værktøj/batteri

Maskinen er forsynet med et beskyttelsessystem til maskine/batteri. Systemet afbryder automatisk strømmen til motoren for at forlænge maskinens og batteriets levetid. Maskinen stopper automatisk under driften, hvis maskinen eller batteriet udsættes for et af de følgende forhold.

Overbelastet:

Maskinen/batteriet anvendes på en måde, der får den til at bruge unormalt meget strøm.

Sluk i så fald for maskinen, og stop den anvendelse, der medførte, at maskinen blev overbelastet. Tænd derefter for maskinen for at starte igen.

Overophedet:

Maskinen/batteriet er overophedet. I denne situation skal du lade maskinen/batteriet køle af, før du tænder for maskinen igen.

Lav spænding på akkuen:

Den resterende batteriladning er for lav, og maskinen vil ikke fungere. I denne situation skal De fjerne og oplade akkuen.

Beskyttelse mod andre årsager:

Beskyttelsessystemet er også designet til andre årsager, der kan beskadige maskinen og gøre det muligt for maskinen at stoppe automatisk. Træf alle følgende foranstaltninger for at fjerne årsagerne, når maskinen midlertidigt er blevet bragt til standsning eller stoppet i drift.

1. Sluk for maskinen, og tænd den igen for at genskaffe.
2. Oplad batteriet/batterierne eller udskift det/dem med genopladet/genopladede batteri/batterier.
3. Lad maskinen og batteriet/batterierne køle af.

Hvis der ikke kan findes nogen forbedring ved at genoprette beskyttelsessystemet, skal det lokale Makita-servicecenter kontaktes.

Indikation af den resterende batteriladning

Kun til akkuer med indikatoren

► Fig.3: 1. Indikatorlamper 2. Kontrolknap

Tryk på kontrolknappen på akkuen for at få vist den resterende batteriladning. Indikatorlampen lyser i nogle sekunder.

Indikatorlamper			Resterende ladning
Tændt	Slukket	Blinker	
■ ■ ■ ■	□ □ □ □	◐ ◑	75% til 100%
■ ■ ■ □	□ □ □ □	◐ ◑	50% til 75%
■ ■ □ □	□ □ □ □	◐ ◑	25% til 50%
■ □ □ □	□ □ □ □	◐ ◑	0% til 25%
◐ ◑	□ □ □ □	□ □ □ □	Genoplad batteriet.
■ ■ □ □	□ □ □ □	◐ ◑	Der er muligvis fejl i batteriet.

BEMÆRK: Afhængigt af brugsforholdene og den omgivende temperatur kan indikationen afvige en smule fra den faktiske ladning.





BEMÆRK: Den første indikatorlampe (længst mod venstre) vil blinke, når batteribeskyttelsessystemet aktiveres.

Afbryderbetjening

► **Fig.4:** 1. Knap til ændring af sugekraft 2. TÆND/SLUK-knap

For at starte støvsugerens skal du blot trykke på TÆND/SLUK-knappen. Tryk på TÆND/SLUK-knappen igen for at slukke.

Du kan ændre støvsugerens sugekraft i fire trin ved at trykke på knappen til ændring af sugekraft. Hvert tryk på denne knap gentager tilstanden Stille/ Normal/Høj/ Maks. i en cyklus.

Niveau	Indikation	Tilstand
1		Stilletilstand
2		Normal hastighedstilstand
3		Høj hastighedstilstand
4		Maks. hastighedstilstand

BEMÆRK: Du kan ændre sugekraften inden du tænder for støvsugerens.

BEMÆRK: Støvsugerens starter med at fungere med samme sugekraft som den der blev anvendt ved sidste operation.

Tænding af lampen

⚠FORSIGTIG: Kig aldrig direkte på lyskilden. Lad ikke lyset falde i Deres øjne.

For at tænde lampen skal du trykke på knappen til ændring af sugekraft. Lampen slukkes efter cirka 10 sekunder.

Når støvsugerens er tændt er lampen tændt. Lampen slukkes cirka 10 sekunder efter støvsugerens slukkes.

BEMÆRK: Når den resterende batteriladning bliver lav begynder lampen at blinke. Timingen, hvormed lampen begynder at blinke, afhænger af temperaturen på arbejdspladsen og akkuens tilstand.

► **Fig.5:** 1. Knap til ændring af sugekraft 2. TÆND/SLUK-knap 3. Lampe

SAMLING

⚠FORSIGTIG: Sørg altid for at maskinen er slukket, og at akkuen er taget ud, før der udføres noget arbejde på maskinen.

Beskrivelse af delene

Ekstraudstyr

Højtydende filter, stiver og svampefilter

► **Fig.6:** 1. Kapsel 2. Højtydende filter 3. Stiver 4. Svampefilter

Forfilter eller højtydende filter og HEPA-filter

► **Fig.7:** 1. Kapsel 2. Forfilter 3. Højtydende filter 4. HEPA-filter

BEMÆRKNING: Undlad at lægge et valgfrit filter (ikke-vævet stof) under det højtydende filter. Filtrene kunne ikke afmonteres fra støvsugerens.

BEMÆRK: Undlad at montere et valgfrit filter (ikke-vævet stof) mellem HEPA-filteret og forfilteret. Sugekraften kan blive reduceret.

BEMÆRK: Brug altid det højtydende filter, der er indrammet med en oprindeligt designet stiver, når det lægges oven på HEPA-filteret.

► **Fig.8:** 1. Højtydende filter 2. Stiver (designet til højtydende filter)

Bortskaffelse af støv

⚠FORSIGTIG: Tøm støvsugerens, inden den bliver for fuld, ellers formindskes sugekraften.

⚠FORSIGTIG: Sørg for at tømme indersiden af selve støvsugerens for støv. Hvis dette ikke gøres, kan filteret blive tilstoppet, eller motoren kan blive beskadiget.

For at fjerne støv, der sidder fast på filteret i kapslen, skal du banke 4 eller 5 gange på den med hånden.

► **Fig.9:** 1. Kapsel

Ret sugeåbningen nedad, drej kapslen i pilens retning i diagrammet, og tag kapslen langsomt og lige af.

► **Fig.10:** 1. Kapsel 2. Sugeåbning

BEMÆRK: Der kan falde støv ud, når kapslen åbnes, så sørg for at stille en affaldspose under kapslen.

Fjern opsamlet støv fra indersiden af kapslen og fra det højtydende filter.

► **Fig.11:** 1. Kapsel 2. Højtydende filter

Drej det højtydende filter i pilens retning for at frigøre sikkerhedskanten fra støvsugerens, og træk derefter filteret af.

► **Fig.12:** 1. Sikkerhedskant

BEMÆRK: Når du bruger forfilteret, skal du også følge ovenstående fremgangsmåde.

Fjern det fine støv, og bank let for at løsne støv fra det højtydende filter.

Genmontering

Tilslut højtydende filter. Sørg på dette tidspunkt for at dreje det højtydende filter, så sikkerhedskanten låses godt fast på støvsugeren.

► **Fig.13:** 1. Højtydende filter

► **Fig.14:** 1. Sikkerhedskant

BEMÆRKNING: Sørg altid for at kontrollere, at det højtydende filter er isat korrekt, før støvsugeren anvendes. Hvis det ikke er isat korrekt, vil der trænge støv ind i motorhuset og forårsage motorfejl. Hvis det problem, som beskrevet senere, opstår, er det højtydende filter ikke isat korrekt. Sæt det korrekt i igen for at afhjælpe problemet.

Monter kapslen. Juster mærket på kapslen i forhold til mærket på håndtaget, og drej derefter kapslen fast i pilens retning, indtil den sidder fast.

► **Fig.15:** 1. Mærke 2. Håndtag 3. Kapsel

BEMÆRK: Fjern altid støv i tide, da sugestykken reduceres, hvis der er for meget støv i støvsugeren.

Eksempler på problemer

Sikkerhedskanten på det højtydende filter er ikke ordentligt låst fast i rillen på støvsugerkabinettet.

► **Fig.16:** 1. Sikkerhedskant 2. Rille på støvsugerkabinettet

Montering eller afmontering af stiver / HEPA-filtre

Ekstraudstyr

Til stiver og svampefilter

For at afmontere stiveren, skal du trykke på den nederste del af stiveren med fingrene og udløse rillen på fremspringet på støvsugeren. Afmonter derefter svampefilteret.

► **Fig.17:** 1. Stiver 2. Svampefilter

Stiveren monteres ved at justere stiverens riller med fremspringet på støvsugeren, indtil det klikker på plads. Indsæt svampefilteret mellem stiverne, og sæt det i den oprindelige position.

Til HEPA-filteret

Når du monterer HEPA-filteret, skal du justere HEPA-filterets rille i forhold til fremspringet på støvsugeren. Derefter sættes forfilteret eller det højtydende filter på HEPA-filteret, og drej det for at sætte det ordentligt fast. Følg installationsproceduren i omvendt rækkefølge for at fjerne det.

► **Fig.18:** 1. HEPA-filter 2. Forfilter

► **Fig.19:** 1. HEPA-filter 2. Højtydende filter

ANVENDELSE

⚠FORSIGTIG: Hold dit ansigt på afstand af ventilationsåbningen, når du bruger støvsugeren. Hvis der blæses fremmedlegemer ind i øjnene, kan det medføre personskade.

Montering og afmontering af støvsugertilbehør

⚠FORSIGTIG: Når du har monteret tilbehøret, skal du kontrollere, om det er monteret forsvarligt. Hvis tilbehøret er monteret ufuldstændigt, kan det løse sig og forårsage personskade.

⚠FORSIGTIG: Pas på, at du ikke rammer hånden på væggen osv., når du afmonterer tilbehøret.

Når du bruger tilbehør med låsefunktion

For at montere tilbehøret skal du sætte det ind i støvsugerens sugeåbning, indtil det klikker. Sørg for, at tilbehøret er låst.

► **Fig.20:** 1. Sugeåbning 2. Tilbehør med låsefunktion 3. Krog 4. Udløserknop

BEMÆRKNING: Når du monterer tilbehøret med låsefunktion, skal du sørge for at justere udløserknappen på støvsugeren med krogen på tilbehøret. Hvis de ikke er justeret, vil tilbehøret ikke blive låst og kan løsne sig fra støvsugeren.

For at fjerne det skal du trække i tilbehøret, idet du trykker på udløserknappen.

► **Fig.21:** 1. Udløserknop 2. Tilbehør med låsefunktion

Når du bruger tilbehør uden låsefunktion

⚠FORSIGTIG: For at tilslutte tilbehøret uden låsefunktion skal du dreje og indsætte det i pilens retning for at sikre, at det sidder fast under brugen. For at frigøre tilbehøret skal du også dreje det og trække det ud i pilens retning. Hvis tilbehøret drejes i den modsatte retning, kan kapslen løsne sig.

► **Fig.22**

Rengøring (sugning)

Mundstykke

Sæt mundstykket på for at rengøre borde, skriveborde, møbler og lignende. Mundstykket glider let på.

► **Fig.23:** 1. Mundstykke

Mundstykke + Forlængerstav (lige rør)

Forlængerstaven sættes ind mellem mundstykket og selve støvsugeren. Dette arrangement er praktisk ved rengøring af et gulv i stående stilling.

► **Fig.24:** 1. Støvsugerkabinet 2. Forlængerstav (lige rør) 3. Mundstykke

Fugemundstykke

Monter fugemundstykket til rengøring af hjørner og sprækker i en bil eller et møbel.

► **Fig.25:** 1. Fugemundstykke 2. Støvsugerkabinet

Du kan opbevare fugemundstykket i dyseholderen.

► **Fig.26:** 1. Dyseholder 2. Fugemundstykke

⚠FORSIGTIG: Pas på ikke at få fingeren (fingerene) i klemme mellem fugemundstykket og dyseholderen. En finger (fingre), som kommer i klemme, kan forårsage personskade.

Fugemundstykke + forlængerstav (lige rør)

Anvend dette arrangement på trange steder, hvor selve støvsugeren ikke kan komme ind, eller på højtliggende steder, hvor det er svært at nå op.

► **Fig.27:** 1. Fugemundstykke 2. Forlængerstav (lige rør) 3. Støvsugerkabinet

Rengøring uden mundstykke

Det er muligt at opsamle pulver og støv uden et mundstykke.

► **Fig.28**

Til opslugning af støv på et gulvet i stående stilling er det praktisk at fastgøre forlængerstaven til støvsugeren.

► **Fig.29:** 1. Forlængerstav (lige rør)

VEDLIGEHODELSE

⚠FORSIGTIG: Vær altid sikker på, at værktøjet er slukket, og at akkuen er taget ud, inden De begynder at udføre inspektion eller vedligeholdelse.

For at opretholde produktets SIKKERHED og PÅLIDELIGHED må reparationer, enhver anden vedligeholdelse eller justering kun udføres af et autoriseret Makita servicecenter eller fabrikkens servicecenter med anvendelse af Makita reservedele.

Efter brugen

⚠FORSIGTIG: Hvis støvsugeren stilles op ad væggen uden nogen anden støtte, kan det medføre, at støvsugeren vælter, hvilket kan medføre personskade eller beskadigelse af støvsugeren.

► **Fig.30**

Rengøring

⚠FORSIGTIG: Rengør filtrene, når de bliver tilstoppede. Fortsat brug i tilstoppet tilstand kan resultere i ophedning eller brand.

BEMÆRKNING: Anvend aldrig benzin, rensbenzin, fortynder, alkohol og lignende. Det kan medføre misfarvning, deformation eller revner.

BEMÆRKNING: Undlad at blæse støv, der sidder fast på støvsugeren og filtrene, ved hjælp af en luftblæser. Det blæser støv ind i kabinettet og forårsager fejl.

BEMÆRKNING: Når du har vasket filtrene, skal du tørre dem grundigt før brug. Utilstrækkeligt tørrede filtre kan medføre dårlig sugning og forkorte motorens levetid.

BEMÆRKNING: Efter rengøring af filtrene og svampefilteret skal du huske at montere dem inden brug. Hvis du bruger støvsugeren uden filteret og svampefilteret, kommer der støv ind i motorkabinettet, hvilket medfører fejlfunktion.

Støvsugerkabinet

Aftør fra tid til anden ydersiden (støvsugerkabinettet) af støvsugeren med en klud, som er fugtet med sæbevand. Rengør også sugeåbningen og monteringsområdet for filteret.

► **Fig.31**

Højtydende filter

Vask filteret med sæbevand, hvis det er tilstoppet af støv og støvsugerens kraft er svag. Tør det grundigt inden ibrugtagning.

► **Fig.32**

HEPA-filter

Ekstraudstyr

BEMÆRKNING: Undlad at gnubbe eller ridse HEPA-filteret med hårde genstande som f.eks. en børste og et banketræ.

Et tilstoppet HEPA-filter medfører dårlig sugeevne. Rengør filteret fra tid til anden.

Vask af og til HEPA-filteret i vand, skyl og tør det grundigt i skyggen før brug. Vask aldrig filteret i en vaskemaskine.

► **Fig.33**

Svampefilter

Rengør svampefilteret på følgende måde, når det bliver snævset.

1. Afmonter de filtre, der dækker stiveren.
2. Træk svampefilteret ud fra mellem stiverne.
3. Rengør svampefilteret ved at banke på det eller vaske det. Hvis du vasker det, skal du tørre det grundigt før brug.
4. Indsæt svampefilteret mellem stiverne, og placer det i den oprindelige position. Sørg for, at hver nederste kant af stiverne holder svampefilteret nede, og at der ikke er mellemrum mellem svampefilteret og sugeåbningen.

► **Fig.34:** 1. Svampefilter 2. Nederste kant af stiver

Vægmontering til akku støvsuger

Ekstraudstyr

BEMÆRK: Skruen til montering af holderen medfølger ikke. Hav en skrue klar, der passer til det materiale, den skal skrues ind i.

Fastgør vægmonteringen til akku støvsugeren på en hård trævæg, en bjælke eller søjle, hvor vægmonteringen til akku støvsugeren kan fastgøres forsvarligt. Sørg altid for, at vægmonteringen til akku støvsugeren er fastgjort forsvarligt, før du hænger støvsugeren op.

► **Fig.35:** 1. Vægmontering til akku støvsuger

⚠FORSIGTIG: Undlad at hænge støvsugeren voldsomt op på vægmonteringen eller at ophænge andre apparater end støvsugeren.

Fejlfinding

Tjek følgende punkter, før du beder om reparation.

Symptom	Del, der skal undersøges	Reparationsmetode
Svag sugekraft	Er kapslen fuld af støv?	Tøm kapslen for støv.
	Er filteret tilstoppet?	Rengør eller vask filteret.
	Er akkuen afladet?	Oplad akkuen.
Fungerer ikke	Er akkuen afladet?	Oplad akkuen.
Støj og vibrationer	Er filteret tilstoppet?	Rengør eller vask filteret.
	Er apparatets mundstykke, rør eller sugeåbning tilstoppet?	Fjern de tilstoppede genstande i apparatets mundstykke, rør eller sugeåbning.
	Er mundstykkets/rørets indløb blokeret?	Undlad at blokere mundstykkets/rørets indløb.

⚠FORSIGTIG: Forsøg ikke selv at reparere støvsugeren.

EKSTRAUDSTYR

⚠FORSIGTIG: Det følgende tilbehør og ekstraudstyr er anbefalet til brug med Deres Makita maskine, der er beskrevet i denne brugsanvisning. Anvendelse af andet tilbehør eller ekstraudstyr kan udgøre en risiko for personskade. Anvend kun tilbehør og ekstraudstyr til det beskrevne formål.

Hvis De behøver hjælp ved valg af tilbehør eller ønsker yderligere informationer, bedes De kontakte Deres lokale Makita servicecenter.

- Forlængerstav (lige rør)
- Mundstykke
- Tæppemundstykke
- Børste til hylder
- Fugemundstykke
- Rund børste
- Fleksibel slange
- Filter (ikke-vævet stof)
- Forfilter
- Højtydende filter
- HEPA-filter
- Møbelmundstykke
- Revnemundstykke
- Vægmontering til akku støvsuger
- Hvirvelenhed
- Hvirveltilbehør
- Værktøjspose
- Original Makita-akku og oplader

BEMÆRK: Nogle ting på denne liste kan være inkluderet i værktøjspakken som standardtilbehør. Det kan være forskellige fra land til land.

Hvirveltilbehør

Ekstraudstyr

► **Fig.36:** 1. Udløserknop 2. Krog 3. Forlængerstav (lige rør) 4. Hvirveltilbehør 5. Sugeåbning

Om hvirveltilbehøret

Brug af støvsugeren med hvirveltilbehøret monteret reducerer mængden af støv, som trænger ind i kapslen, hvilket hjælper med til at forhindre sugekraften i at svækkes. Endvidere er rengøring efter brug også nem.

⚠FORSIGTIG: Sørg altid for at maskinen er slukket, og at akkuen er taget ud, før der udføres noget arbejde på maskinen. Hvis akkuen forbliver isat, kan støvsugeren muligvis starte uventet og medføre tilskadekomst.

⚠FORSIGTIG: Rengør hvirveltilbehørets trådsi og filtrene i støvsugerenheden, når de bliver tilstoppede. Fortsat brug i tilstoppet tilstand kan resultere i ophedning eller røg.

BEMÆRKNING: Brug ikke støvsugeren i vandret eller opadvendt position, når hvirveltilbehøret er fastgjort. Dette kan medføre at trådsien tilstoppes.

BEMÆRKNING: Brug altid støvsugeren med filtrene monteret, selv når du anvender hvirveltilbehøret. Brug af støvsugeren uden filtrene monteret kan muligvis resultere i en motorfunktionsfejl.

BEMÆRK: Kontrollér, at hvirveltilbehøret, støvsugeren og forlængerstaven (lige rør) er låst korrekt før brug.

BEMÆRK: Tøm hvirveltilbehørets støvbakke og støvsugerens kapsel, når der er ophobet støv. Fortsat brug vil resultere i svækket sugekraft.

BEMÆRK: Du kan også anvende hvirveltilbehøret uden låsefunktion.

BEMÆRK: For at montere eller afmontere hvirveltilbehøret, se afsnittet "Montering og afmontering af støvsugertilbehør".

Bortskaffelse af støv

Når der er ophobet støv op til fuld-linjen i støvbakken, skal du følge proceduren nedenfor og bortskaffe støvet.

1. Hold godt fast i støvbakken, tryk og hold på de to knapper og fjern støvbakken.

► **Fig.37:** 1. Fuld-linje 2. Støvbakke 3. Knap (to steder) 4. Trådsien

2. Bortskaf støvet inde i støvbakken og fjern alt støv og pulver, som sidder fast på overfladen af trådsien.

3. Sæt støvbakken helt ind indtil de to knapper låses med et klik.

► **Fig.38:** 1. Støvbakke 2. Knap (to steder)

⚠FORSIGTIG: Når du samler støvbakken igen, skal du sørge for ikke at klemme fingrene.

BEMÆRK: Kontrollér, at hvirveltilbehøret, støvsugeren og forlængerstaven (lige rør) er låst korrekt, før du genstarter anvendelsen.

BEMÆRK: Hvis sugekraften ikke genoprettes, selv efter bortskaffelse af støvet og rengøring af trådsien, skal du kontrollere, om der er ophobet støv i kapslen i støvsugeren, eller der er opstået tilstopning.

BEMÆRK: Støvet kan flyve op, når hvirveltilbehøret bortskaffes. Pas på ikke at få støv i øjnene.

Rengøring

⚠FORSIGTIG: Efter vask af hvirveltilbehøret skal det tørres grundigt før brug. Utilstrækkeligt tørrede komponenter kan forårsage elektrisk stød eller beskadigelse af apparatet.

Når støvbakken bliver beskidt, eller trådsien er tilstoppet, skal du fjerne og vaske dem med vand. (Se "Bortskaffelse af støv" angående fjernelsesproceduren.)

Tør delene grundigt inden genmontering og ibrugtagning.

► **Fig.39:** 1. Støvbakke 2. Trådsien

Når trådsien bliver meget beskidt, skal du rengøre den vha. de følgende procedurer.

1. Drej trådsien i pilens retning, og afmonter den, mens krogene er ulåste.

► **Fig.40:** 1. Trådsien 2. Krog

2. Fjern støvet på trådsien og vask den derefter med vand. Tør den omhyggeligt efter dette.

3. Sæt trådsien ind i basen, mens krogene flugter med åbningen. Drej trådsien i pilens retning, indtil krogene låses med et klik. Sørg for, at trådsien er monteret forsvarligt.

► **Fig.41:** 1. Trådsien 2. Krog 3. Åbning

ΠΡΟΕΙΔΟΠΟΙΗΣΗ

- Η συσκευή αυτή μπορεί να χρησιμοποιηθεί από παιδιά άνω των 8 ετών και άτομα με μειωμένες σωματικές, αισθητήριες ή διανοητικές ικανότητες ή που δεν έχουν πείρα και γνώσεις, αν επιτηρούνται ή τους έχουν δοθεί οδηγίες για την ασφαλή χρήση της συσκευής και κατανοούν τους κινδύνους που εμπλέκονται.
- Τα παιδιά δεν πρέπει να παίζουν με τη συσκευή. Οι εργασίες καθαρισμού και συντήρησης από το χρήστη δεν θα πρέπει να γίνονται από παιδιά χωρίς επιτήρηση.
- Για την αναφορά του τύπου της μπαταρίας, δείτε το κεφάλαιο «ΠΡΟΔΙΑΓΡΑΦΕΣ».
- Για τον τρόπο αφαίρεσης ή τοποθέτησης της μπαταρίας, δείτε την ενότητα «Τοποθέτηση ή αφαίρεση της κασέτας μπαταριών».
- Όταν απορρίπτετε την κασέτα μπαταριών, αφαιρέστε την από το εργαλείο και διαθέστε την σε ένα ασφαλές μέρος. Τηρήστε τους τοπικούς κανονισμούς που σχετίζονται με τη διάθεση της μπαταρίας.
- Αν δεν χρησιμοποιείτε το εργαλείο για μεγάλο χρονικό διάστημα, πρέπει να βγάλετε την μπαταρία από το εργαλείο.
- Μη βραχυκυκλώνετε την κασέτα μπαταριών.
- Για τις κατάλληλες λεπτομέρειες των προφυλάξεων κατά τη διάρκεια της συντήρησης από τον χρήστη, δείτε το κεφάλαιο «ΣΥΝΤΗΡΗΣΗ».

ΠΡΟΔΙΑΓΡΑΦΕΣ

Μοντέλο:		DCL284F
Χωρητικότητα		730 mL
Συνεχόμενη χρήση (με μπαταρία BL1830B)	1 (Τρόπος αθόρυβης λειτουργίας)	Περίπου 38 min
	2 (Τρόπος λειτουργίας κανονικής ταχύτητας)	Περίπου 21 min
	3 (Τρόπος λειτουργίας υψηλής ταχύτητας)	Περίπου 15 min
	4 (Τρόπος λειτουργίας μέγιστης ταχύτητας)	Περίπου 8 min
Συνολικό μήκος (με σωλήνα, ακροφύσιο και μπαταρία BL1830B)		1.066 mm
Ονομαστική τάση		D.C. 18 V
Καθαρό βάρος		1,3 - 1,7 kg

- Λόγω του συνεχιζόμενου προγράμματος έρευνας και ανάπτυξης, οι προδιαγραφές αυτές υπόκεινται σε αλλαγές χωρίς προειδοποίηση.
- Τα τεχνικά χαρακτηριστικά μπορεί να διαφέρουν από χώρα σε χώρα.
- Το βάρος δεν περιλαμβάνει εξαρτήματα αλλά την(ις) κασέτα(ες) μπαταριών. Το μικρότερο και μεγαλύτερο βάρος των συνδυασμών της συσκευής και της(ων) κασέτας(ών) μπαταριών απεικονίζονται στον πίνακα.

Ισχύουσα κασέτα μπαταριών και φορτιστής

Κασέτα μπαταρίας	BL1815N / BL1820B / BL1820B / BL1820B / BL1840B / BL1850B / BL1860B
Φορτιστής	DC18RC / DC18RD / DC18RE / DC18SD / DC18SE / DC18SF / DC18SH / DC18WC

- Ορισμένες από τις κασέτες και τους φορτιστές μπαταριών που αναγράφονται παραπάνω ίσως να μην είναι διαθέσιμοι, ανάλογα με την τοποθεσία κατοικίας σας.

⚠ ΠΡΟΕΙΔΟΠΟΙΗΣΗ: Να χρησιμοποιείτε μόνο τις κασέτες μπαταριών και τους φορτιστές που παρατίθενται ανωτέρω. Η χρήση οποιασδήποτε άλλης κασέτας μπαταριών ή φορτιστή μπορεί να προκαλέσει τραυματισμό ή/και πυρκαγιά.

Σύμβολα

Παρακάτω παρουσιάζονται τα σύμβολα που μπορούν να χρησιμοποιηθούν για τον εξοπλισμό. Βεβαιωθείτε ότι κατανοείτε τη σημασία τους πριν από τη χρήση.



Διαβάστε το εγχειρίδιο οδηγιών.



Μια αντιπροσωπευτική μπαταρία που ισχύει για αυτό το προϊόν.



Μόνο για τις χώρες της ΕΕ
Λόγω της παρουσίας των επικίνδυνων συστατικών μερών στον εξοπλισμό, ο απόβλητος ηλεκτρικός και ηλεκτρονικός εξοπλισμός, οι συσσωρευτές και οι μπαταρίες μπορεί να έχουν αρνητική επίδραση στο περιβάλλον και την ανθρώπινη υγεία.
Μην απορρίπτετε τις ηλεκτρικές και ηλεκτρονικές συσκευές ή μπαταρίες μαζί με τα οικιακά απορρίμματα!
Σύμφωνα με την Ευρωπαϊκή Οδηγία για τον απόβλητο ηλεκτρικό και ηλεκτρονικό εξοπλισμό και για τους συσσωρευτές και μπαταρίες και τους απόβλητους συσσωρευτές και μπαταρίες, καθώς και την προσαρμογή τους στην εθνική νομοθεσία, ο απόβλητος ηλεκτρικός εξοπλισμός, οι μπαταρίες και οι συσσωρευτές θα πρέπει να αποθηκεύονται ξεχωριστά και να παραδίδονται σε ξεχωριστό σημείο συλλογής για δημοτικά απόβλητα, το οποίο λειτουργεί σύμφωνα με τους κανονισμούς για την προστασία του περιβάλλοντος.
Αυτό υποδεικνύεται από το σύμβολο του διαγραμμένου τροχοφόρου κάδου που βρίσκεται αναρτημένο επάνω στον εξοπλισμό.

Προοριζόμενη χρήση

Το εργαλείο προορίζεται για τη συλλογή ξηρής σκόνης.

ΠΡΟΕΙΔΟΠΟΙΗΣΕΙΣ ΑΣΦΑΛΕΙΑΣ

Προειδοποιήσεις ασφάλειας για τη φορητή σκούπα

⚠ ΠΡΟΕΙΔΟΠΟΙΗΣΗ: ΣΗΜΑΝΤΙΚΟ! ΔΙΑΒΑΣΤΕ ΠΡΟΣΕΚΤΙΚΑ όλες τις προειδοποιήσεις για την ασφάλεια και όλες τις οδηγίες ΠΡΙΝ ΑΠΟ ΤΗ ΧΡΗΣΗ. Η μη τήρηση των προειδοποιήσεων και οδηγιών μπορεί να καταλήξει σε ηλεκτροπληξία, πυρκαγιά ή/και σοβαρό τραυματισμό.

1. Να μην εκτίθεται σε βροχή. Να φυλάσσεται σε εσωτερικό χώρο.
2. Δεν επιτρέπεται η χρήση της ως παιχνίδι. Απαιτείται ιδιαίτερη προσοχή κατά τη χρήση από ή κοντά σε παιδιά.
3. Να χρησιμοποιείται μόνο σύμφωνα με τις οδηγίες του παρόντος εγχειριδίου. Να χρησιμοποιούνται μόνο τα εξαρτήματα που συνιστά ο κατασκευαστής.
4. Να μη χρησιμοποιείται με μπαταρία που έχει υποστεί βλάβη. Αν η συσκευή δεν λειτουργεί όπως θα έπρεπε, έχει υποστεί πτώση ή βλάβη, έχει αφαιρεθεί σε εξωτερικό χώρο ή έχει πέσει μέσα σε νερό, να επιστραφεί σε κέντρο σέρβις.

5. Μην χειρίζεστε τη συσκευή με βρεγμένα χέρια.
6. Μην τοποθετείτε κανένα αντικείμενο μέσα στα ανοίγματα. Να μην χρησιμοποιείται αν παρουσιαστεί φράξιμο κάποιου ανοίγματος, να διατηρείται χωρίς ίχνη σκόνης, χνούδια, τρίχες και οτιδήποτε μπορεί να προκαλέσει μείωση της ροής αέρα.
7. Διατηρείτε τα μαλλιά, τα φαρδιά ρούχα και όλα τα μέρη του σώματός σας μακριά από τα ανοίγματα και κινούμενα μέρη.
8. Να απενεργοποιείτε όλα τα στοιχεία ελέγχου πριν από την αφαίρεση της μπαταρίας.
9. Να προσέχετε ιδιαίτερα, όταν καθαρίζετε σκαλοπάτια.
10. Να μην χρησιμοποιείται για τη συλλογή εύφλεκτων ή καύσιμων υγρών, όπως βενζίνη, ή σε χώρους παρουσία αυτών.
11. Για επαναφόρτιση, να χρησιμοποιείται μόνο ο φορτιστής που παρέχεται από τον κατασκευαστή.
12. Να μην χρησιμοποιείται για τη συλλογή οποιουδήποτε αντικειμένου καίγεται ή αναδίδει καπνό, όπως τσιγάρα, σπίρτα ή θερμές στάχτες.
13. Να μην χρησιμοποιείται χωρίς τη σακούλα σκόνης ή/και τα φίλτρα.
14. Μην φορτίζετε τη μπαταρία σε εξωτερικό χώρο.
15. Να επαναφορτίζετε μόνο με το φορτιστή που καθορίζεται από τον κατασκευαστή. Ένας φορτιστής που είναι κατάλληλος για μια συγκεκριμένη κασέτα μπαταριών μπορεί να δημιουργήσει κίνδυνο πυρκαγιάς όταν χρησιμοποιείται με μια άλλη κασέτα μπαταριών.
16. Να χρησιμοποιείτε συσκευές μόνο με ειδικά καθορισμένες κασέτες μπαταριών. Η χρήση κάθε άλλης κασέτας μπαταριών μπορεί να δημιουργήσει κίνδυνο τραυματισμού ή πυρκαγιάς.
17. Όταν δεν χρησιμοποιείται η κασέτα μπαταριών, διατηρήστε τη μακριά από άλλα μεταλλικά αντικείμενα, όπως συνδετήρες, κέρματα, κλειδιά, καρφιά, βίδες ή άλλα μικρά μεταλλικά αντικείμενα, με τα οποία μπορεί να δημιουργηθεί σύνδεση από τον έναν ακροδέκτη στον άλλο.
18. Υπό συνθήκες κατάχρησης, μπορεί να εξαχθεί υγρό από την μπαταρία. Να αποφεύγετε την επαφή. Αν συμβεί επαφή κατά λάθος, εκπλύνετε με νερό.
19. Μην χρησιμοποιείτε μια κασέτα μπαταριών ή συσκευή που έχει καταστραφεί ή τροποποιηθεί. Οι κατεστραμμένες ή τροποποιημένες μπαταρίες μπορεί να παρουσιάζουν απρόβλεπτη συμπεριφορά που έχει ως αποτέλεσμα πυρκαγιά, έκρηξη ή κίνδυνο τραυματισμού.
20. Μην εκθέτετε την κασέτα μπαταριών ή τη συσκευή σε πυρκαγιά ή υπερβολικά υψηλή θερμοκρασία. Η έκθεση σε φωτιά ή θερμοκρασία άνω των 130 °C μπορεί να προκαλέσει έκρηξη.
21. Ακολουθήστε όλες τις οδηγίες φόρτισης και μην φορτίσετε την κασέτα μπαταριών ή τη συσκευή εκτός του θερμοκρασιακού εύρους που καθορίζεται στις οδηγίες. Η λανθασμένη φόρτιση ή η φόρτιση σε θερμοκρασίες εκτός του καθορισμένου εύρους μπορεί να προκαλέσει ζημιά στην μπαταρία και να αυξήσει τον κίνδυνο πυρκαγιάς.

ΦΥΛΑΞΤΕ ΤΙΣ ΟΔΗΓΙΕΣ ΑΥΤΕΣ.

ΕΠΙΠΡΟΣΘΕΤΟΙ ΚΑΝΟΝΕΣ ΑΣΦΑΛΕΙΑΣ

Η συσκευή αυτή προορίζεται για οικιακή χρήση.

1. Διαβάστε προσεκτικά το παρόν εγχειρίδιο χρήσης όπως και το εγχειρίδιο χρήσης του φορητού πριν από τη χρήση.
2. Μην συλλέξετε τα ακόλουθα υλικά:
 - Ζεστές ουσίες που καίγονται ή καπνίζουν (σιγίγαρα, σπίρτα, αρωματικό ράβδοι, κεριά, ζεστή στάχτη), σπινθήρες και μεταλλική σκόνη που παράγεται από την κοπή ή λείανση μετάλλων, κτλ..
 - Εύφλεκτο υγρό (κηροζίνη, πετρέλαιο, διαλύτες όπως βενζίνη, νέφτι, κτλ.)
 - Εύφλεκτα υλικά (τόνερ, μιογιά, σπρέι, κτλ.)
 - Εκρηκτικές ή πυροφορικές ουσίες (νιτρογλυκερίνη, αλουμίνιο, μαγνήσιο, τιτάνιο, ψευδάργυρος, κόκκινος φώσφορος, κίτρινος φώσφορος, κυταρινοειδές, κτλ. καθώς και τη σκόνη, το αέριο ή τον ατμό τους)
 - Υγρά, λάδι, νωπό χώμα ή νωπά σκουπίδια, συμπεριλαμβανομένου εμετού και απεκκριμάτων
 - Σκληρά τεμάχια με αιχμηρά άκρα (ροκα-νίδια, μέταλλα, πέτρες, γυαλιά, καρφιά, πινέζες, ξυραφάκια ή μαχαιροπίρουνα)
 - Στερεοποιητική και αγώγιμη λεπτή πούδρα (μεταλλική ή ανθρακική σκόνη)
 - Αφρός, όπως καθαριστικό χαλιών, κτλ. (μπορεί να προκαλέσουν έκρηξη ή φωτιά)
 - Μεγάλη ποσότητα πούδρας (αλεύρι, πούδρα από πυροσβεστήρα, κτλ.)
 - Ουσίες που προκαλούν τοξικά συμπτώματα
 - Επιθετικές χημικές ουσίες (οξέα, αλκάλια, κτλ.)
 - Λεπτή δεσμευτική σκόνη όπως τσιμέντο
 - Μικρά σωματίδια όπως σκόνη σκυροδέματος
 - Ξηραντικά
 - Αμιάντος
 - Εντομοκτόνα

Αυτή η ενέργεια μπορεί να προκαλέσει πυρκαγιά, τραυματισμό ή/και ζημιά σε περιουσιακά στοιχεία. Για να μειώσετε την έκθεσή σας σε αυτά τα χημικά, να φοράτε πάντα εγκεκριμένη αναπνευστική προστασία, όπως μάσκες κατά τη σκόνη που είναι ειδικά σχεδιασμένες να φιλτράρουν τα μικροσκοπικά σωματίδια. Να κατευθύνετε τα καυσαέρια μακριά από το πρόσωπο και το σώμα σας.

3. Διακόψτε τη λειτουργία αμέσως, μόλις παρατηρήσετε οτιδήποτε μη φυσιολογικό.
4. Σε περίπτωση που η σκούπα υποστεί πτώση ή κτύπημα, ελέγξτε τη προσεκτικά για ρωγμές ή βλάβη πριν από τη λειτουργία.
5. Μην πλησιάζετε σε θερμάστρες ή άλλες πηγές θερμότητας.
6. Μη φράσετε την οπή εισαγωγής ή τις οπές αερισμού.

ΦΥΛΑΞΤΕ ΤΙΣ ΟΔΗΓΙΕΣ ΑΥΤΕΣ.

Σημαντικές οδηγίες ασφάλειας για κασέτα μπαταριών

1. Πριν χρησιμοποιήσετε την κασέτα μπαταριών, διαβάστε όλες τις οδηγίες και σημειώσεις προφύλαξης (1) στον φορητό μπαταριών, (2) στην μπαταρία και (3) στο προϊόν που χρησιμοποιείτε την μπαταρία.
2. Μην αποσυναρμολογήσετε ή παραβιάσετε την κασέτα μπαταριών. Μπορεί να έχει ως αποτέλεσμα πυρκαγιά, υπερθέρμανση ή έκρηξη.
3. Εάν ο χρόνος λειτουργίας έχει γίνει υπερβολικά βραχύς, σταματήστε τη λειτουργία αμέσως. Αλλιώς, μπορεί να έχει ως αποτέλεσμα κίνδυνο υπερθέρμανσης, πιθανά εγκαύματα ή ακόμη και έκρηξη.
4. Εάν ηλεκτρολύτης μπει στα μάτια σας, ξεπλύνετε τα με καθαρό νερό και ζητήστε ιατρική φροντίδα αμέσως. Αλλιώς, μπορεί να έχει ως αποτέλεσμα απώλεια της όρασης σας.
5. Μη βραχυκυκλώνετε την κασέτα μπαταριών:
 - (1) Μην αγγίζετε τους πόλους με οτιδήποτε αγώγιμο υλικό.
 - (2) Αποφειγείτε να αποθηκεύετε την κασέτα μπαταριών μέσα σε ένα δοχείο μαζί με άλλα μεταλλικά αντικείμενα όπως καρφιά, νομίσματα, κλπ.
 - (3) Μην εκθέτετε την κασέτα μπαταριών στο νερό ή στη βροχή.Ένα βραχυκύκλωμα μπαταρίας μπορεί να προκαλέσει μεγάλη ροή ρεύματος, υπερθέρμανση, πιθανά εγκαύματα ακόμη και σοβαρή βλάβη.
6. Μην αποθηκεύετε και μην χρησιμοποιείτε το εργαλείο και την κασέτα μπαταριών σε τοποθεσίες όπου η θερμοκρασία μπορεί να φτάσει ή να ξεπεράσει τους 50°C.
7. Μην καίτε την κασέτα μπαταριών ακόμη και εάν έχει σοβαρή ζημιά ή είναι εντελώς φθαρμένη. Η κασέτα μπαταριών μπορεί να εκραγεί στη φωτιά.
8. Μην καρφώσετε, κόψετε, συνθλίψετε, πετάξετε ή ριζέτε κάτω την κασέτα μπαταριών, ούτε να χτυπήσετε ένα σκληρό αντικείμενο επάνω στην κασέτα μπαταριών. Τέτοια συμπεριφορά μπορεί να έχει ως αποτέλεσμα πυρκαγιά, υπερθέρμανση ή έκρηξη.
9. Μη χρησιμοποιείτε μπαταρία που έχει υποστεί ζημιά.
10. Οι μπαταρίες ιόντων λιθίου που περιέχονται υποκείνται στις απαιτήσεις της νομοθεσίας για επικίνδυνα αγαθά.
Για εμπορικές μεταφορές, για παράδειγμα από τρίτα μέρη, πρέπει να τηρούνται οι διαμεταφορές, οι ειδικές απαιτήσεις στη συσκευασία και η επισήμανση.
Για προετοιμασία του στοιχείου που αποστέλλεται, είναι απαραίτητο να συμβουλευτείτε έναν ειδικό για επικίνδυνα υλικά. Επίσης, τηρήστε τους πιθανούς, πιο αναλυτικούς εθνικούς κανονισμούς. Καλύψτε με αυτοκόλλητη ταινία ή κρύψτε τις ανοιχτές επαφές και συσκευάστε την μπαταρία με τρόπο που να μην μπορεί να μετακινείται μέσα στη συσκευασία.

- Όταν απορρίπτετε την κασέτα μπαταριών, αφαιρέστε την από το εργαλείο και διαθέστε την σε ένα ασφαλές μέρος. Τηρήστε τους τοπικούς κανονισμούς που σχετίζονται με τη διάθεση της μπαταρίας.
- Χρησιμοποιήστε τις μπαταρίες μόνο με τα προϊόντα που καθορίζει η Makita. Αν τοποθετήσετε τις μπαταρίες σε μη συμβατά προϊόντα μπορεί να έχει ως αποτέλεσμα πυρκαγιά, υπερβολική θερμότητα, έκρηξη ή διαρροή ηλεκτρολύτη.
- Αν δεν χρησιμοποιείτε το εργαλείο για μεγάλο χρονικό διάστημα, πρέπει να βγάλετε την μπαταρία από το εργαλείο.
- Κατά τη διάρκεια και μετά τη χρήση, η κασέτα μπαταριών μπορεί να θερμανθεί, γεγονός που μπορεί να προκαλέσει εγκαύματα ή εγκαύματα από χαμηλή θερμοκρασία. Προσέχετε το χειρισμό των ζεστών κασετών μπαταριών.
- Μην αγγίζετε τον ακροδέκτη του εργαλείου αμέσως μετά τη χρήση επειδή μπορεί να έχει ζεσταθεί αρκετά για να προκαλέσει εγκαύματα.
- Μην αφήνετε θραύσματα, σκόνη ή βρομιά να κολλήσει στους ακροδέκτες, τις σπές και τις εγκοπές της κασέτας μπαταριών. Μπορεί να προκαλέσει θέρμανση, φωτιά, έκρηξη και δυσλειτουργία του εργαλείου ή της κασέτας μπαταριών, έχοντας ως αποτέλεσμα εγκαύματα ή προσωπικό τραυματισμό.
- Εκτός αν το εργαλείο υποστηρίζει τη χρήση κοντά σε ηλεκτρικές γραμμές υψηλής τάσης, μην χρησιμοποιείτε την κασέτα μπαταριών κοντά σε ηλεκτρικές γραμμές υψηλής τάσης. Μπορεί να έχει ως αποτέλεσμα δυσλειτουργία ή σπάσιμο του εργαλείου ή της κασέτας μπαταριών.
- Κρφυλάξτε την μπαταρία μακριά από παιδιά.

ΦΥΛΑΞΤΕ ΤΙΣ ΟΔΗΓΙΕΣ ΑΥΤΕΣ.

▲ΠΡΟΣΟΧΗ: Να χρησιμοποιείτε μόνο γνήσιες μπαταρίες της Makita. Η χρήση μη γνήσιων μπαταριών Makita, ή μπαταριών που έχουν τροποποιηθεί, μπορεί να έχει ως αποτέλεσμα τη ρήξη της μπαταρίας, προκαλώντας πυρκαγιά, προσωπικό τραυματισμό και βλάβη. Επίσης, θα ακυρωθεί η εγγύηση της Makita για το εργαλείο και φορτιστή Makita.

Συμβουλές για τη διατήρηση της μέγιστης ζωής μπαταρίας

- Φορτίζετε την κασέτα μπαταριών πριν από την πλήρη αποφόρτιση της. Πάντοτε να σταματάτε τη λειτουργία του εργαλείου και να φορτίζετε την κασέτα μπαταριών όταν παρατηρήτε μειωμένη ισχύ εργαλείου.
- Ποτέ μην επαναφορτίζετε μια πλήρως φορτισμένη κασέτα μπαταριών. Η υπερφόρτιση μειώνει την ωφέλιμη ζωή της μπαταρίας.
- Να φορτίζετε την κασέτα μπαταριών σε θερμοκρασία δωματίου, δηλαδή στους 10 °C έως 40 °C. Αφήστε μια θερμή κασέτα μπαταριών να κρυώσει πριν την φορτίσετε.
- Όταν δεν χρησιμοποιείτε την κασέτα μπαταριών, αφαιρέστε την από το εργαλείο ή τον φορτιστή.
- Να φορτίζετε την κασέτα μπαταριών εάν δεν τη χρησιμοποιείτε για μεγάλη χρονική περίοδο (περισσότερο από έξι μήνες).

ΠΕΡΙΓΡΑΦΗ ΛΕΙΤΟΥΡΓΙΑΣ

▲ΠΡΟΣΟΧΗ: Να φροντίζετε πάντα για την απενεργοποίηση του εργαλείου και την αφαίρεση της κασέτας μπαταρίας, πριν από οποιαδήποτε ρύθμιση ή έλεγχο της λειτουργίας του.

▲ΠΡΟΣΟΧΗ: Φροντίστε ώστε να μην παγιδεύσετε δάκτυλο(α) στο χώρο μεταξύ σκούπας και μπαταρίας, όπως απεικονίζεται στην εικόνα, κατά τη φόρτωση της μπαταρίας. Η παγίδευση δακτύλων μπορεί να προκαλέσει τραυματισμό.

► Εικ.1

Τοποθέτηση ή αφαίρεση της κασέτας μπαταριών

▲ΠΡΟΣΟΧΗ: Να σβήνετε πάντα το εργαλείο πριν τοποθετήσετε ή αφαιρέσετε την κασέτα μπαταριών.

▲ΠΡΟΣΟΧΗ: Κρατήστε το εργαλείο και την κασέτα μπαταριών σταθερά κατά την τοποθέτηση ή αφαίρεση της κασέτας μπαταριών. Εάν δεν κρατάτε το εργαλείο και την κασέτα μπαταριών σταθερά μπορεί να γλιστρήσουν από τα χέρια σας και να προκληθεί βλάβη στο εργαλείο και την κασέτα μπαταριών και προσωπικός τραυματισμός.

Για να αφαιρέσετε την κασέτα μπαταριών, ολισθήστε την από το εργαλείο ενώ σύρετε το κουμπί στο μπροστινό μέρος της κασέτας.

► Εικ.2: 1. Κόκκινος δείκτης 2. Κουμπί 3. Κασέτα μπαταριών

Για να τοποθετήσετε την κασέτα μπαταριών, ευθυγραμμίστε τη γλώσσα στην κασέτα μπαταριών με την εγκοπή στο περίβλημα και ολισθήστε τη στη θέση της. Τοποθετήστε την μέχρι τέρμα μέχρι να ασφαλίσει στη θέση της, γεγονός που υποδεικνύεται με ένα χαρακτηριστικό ήχο. Αν μπορείτε να δείτε τον κόκκινο δείκτη όπως απεικονίζεται στην εικόνα, δεν έχει κλειδώσει τελείως.

▲ΠΡΟΣΟΧΗ: Να τοποθετείτε πάντα την κασέτα μπαταριών πλήρως μέχρι να μη βλέπετε τον κόκκινο δείκτη. Εάν δεν ασφαλίσει, μπορεί να πέσει από το εργαλείο τυχαία, προκαλώντας σωματική βλάβη σε εσάς ή κάποιον άλλο γύρω σας.

▲ΠΡΟΣΟΧΗ: Μην τοποθετείτε την κασέτα μπαταριών με βία. Εάν η κασέτα δεν ολισθαίνει με ευκολία, τότε δεν έχει τοποθετηθεί κατάλληλα.

Σύστημα προστασίας εργαλείου/ μπαταρίας

Το εργαλείο είναι εξοπλισμένο με σύστημα προστασίας εργαλείου/μπαταρίας. Αυτό το σύστημα αποκόπτει αυτόματα την ισχύ προς το μοτέρ για να παραταθεί η διάρκεια λειτουργίας του εργαλείου και της μπαταρίας. Το εργαλείο σταματάει αυτόματα κατά τη διάρκεια της λειτουργίας αν το εργαλείο ή η μπαταρία βρεθούν κάτω από τις παρακάτω συνθήκες.

Υπερφόρτωση:

Το εργαλείο/μπαταρία λειτουργεί με τρόπο ώστε να αναγκάζεται να καταναλώνει ασυνήθιστα υψηλό ρεύμα. Σε αυτή την κατάσταση, σβήστε το εργαλείο και διακόψτε την εφαρμογή που προκαλεί την υπερφόρτωση του εργαλείου. Μετά, ενεργοποιήστε το εργαλείο για επανεκκίνηση.

Υπερθέρμανση:

Το εργαλείο/μπαταρία έχει υπερθερμανθεί. Σε αυτή την κατάσταση, αφήστε το εργαλείο/μπαταρία να ψυχθεί πριν ενεργοποιήσετε ξανά το εργαλείο.

Χαμηλή τάση μπαταρίας:

Η υπόλοιπη χωρητικότητα μπαταρίας είναι πολύ χαμηλή και το εργαλείο δεν λειτουργεί. Σε αυτή την περίπτωση, αφαιρέστε και επαναφορτίστε την μπαταρία.

Προστασία και από άλλες αιτίες:

Το σύστημα προστασίας έχει επίσης σχεδιαστεί για άλλες αιτίες που μπορούν να προκαλέσουν ζημιά στο εργαλείο και επιπρέπει την αυτόματη διακοπή του εργαλείου. Λάβετε όλα τα ακόλουθα βήματα για να διορθώσετε τις αιτίες, όταν το εργαλείο τεθεί σε προσωρινή διακοπή ή διακοπή κατά τη διάρκεια της λειτουργίας.

1. Απενεργοποιήστε το εργαλείο και, στη συνέχεια, ενεργοποιήστε το ξανά για επανεκκίνηση.
2. Φορτίστε την μπαταρία ή τις μπαταρίες ή αντικαταστήστε τις με επαναφορτιζόμενες μπαταρίες.
3. Αφήστε το εργαλείο και τις μπαταρίες να ψυχθούν.

















Εάν δεν υπάρχει βελτίωση με την επαναφορά του συστήματος προστασίας, επικοινωνήστε με το τοπικό σας κέντρο εξυπηρέτησης της Makita.

Εμφάνιση υπολειπόμενης χωρητικότητας μπαταρίας

Μόνο για κασέτες μπαταρίας με την ενδεικτική λυχνία

► **Εικ.3:** 1. Ενδεικτικές λυχνίες 2. Κουμπί ελέγχου

Πίστετε το κουμπί ελέγχου στην κασέτα μπαταρίων για να υποδείξετε την υπολειπόμενη χωρητικότητα μπαταρίας. Οι ενδεικτικές λυχνίες ανάβουν για λίγα δευτερόλεπτα.

Ενδεικτικές λυχνίες			Υπολειπόμενη χωρητικότητα
 Αναμμένες	 Σβηστές	 Αναβοσβήνουν	
			75% έως 100%
			50% έως 75%
			25% έως 50%
			0% έως 25%
			Φορτίστε την μπαταρία.
			Μπορεί να προέκυψε δυσλειτουργία στην μπαταρία.
			


ΠΑΡΑΤΗΡΗΣΗ: Ανάλογα με τις συνθήκες χρήσης και τη θερμοκρασία περιβάλλοντος, η ένδειξη μπορεί να διαφέρει λίγο από την πραγματική χωρητικότητα.

ΠΑΡΑΤΗΡΗΣΗ: Η πρώτη (τέρμα αριστερά) ενδεικτική λυχνία θα αναβοσβήνει όταν λειτουργεί το σύστημα προστασίας μπαταρίας.

Δράση διακοπή

- **Εικ.4:** 1. Κουμπί αλλαγής ισχύος αναρρόφησης
2. Κουμπί ενεργοποίησης/απενεργοποίησης

Για να ξεκινήσετε τη λειτουργία της σκούπας, απλά πατήστε το κουμπί ενεργοποίησης/απενεργοποίησης. Για να τη σβήσετε, πατήστε ξανά το κουμπί ενεργοποίησης/απενεργοποίησης. Μπορείτε να αλλάξετε την ισχύ αναρρόφησης της σκούπας σε τέσσερα βήματα αν πατήσετε το κουμπί αλλαγής ισχύος αναρρόφησης. Με κάθε πάτημα αυτού του κουμπιού επαναλαμβάνεται ο τρόπος αθόρυβης/κανονικής/υψηλής/μέγιστης λειτουργίας σε έναν κύκλο.

Επίπεδο	Ένδειξη	Τρόπος λειτουργίας
1		Τρόπος αθόρυβης λειτουργίας
2		Τρόπος λειτουργίας κανονικής ταχύτητας
3		Τρόπος λειτουργίας υψηλής ταχύτητας
4		Τρόπος λειτουργίας μέγιστης ταχύτητας

ΠΑΡΑΤΗΡΗΣΗ: Μπορείτε να αλλάξετε την ισχύ αναρρόφησης πριν ενεργοποιήσετε τη σκούπα.

ΠΑΡΑΤΗΡΗΣΗ: Η σκούπα αρχίζει τη λειτουργία με την ίδια ισχύ αναρρόφησης όπως στην τελευταία λειτουργία.

Αναμμα της λάμπας

▲ΠΡΟΣΟΧΗ: Μην κοιτάζετε κατευθείαν μέσα στο φως ή στην πηγή φωτός.

Για να ανάψετε τη λάμπα, πατήστε το κουμπί αλλαγής ισχύος αναρρόφησης. Η λάμπα σβήνει σε περίπου 10 δευτερόλεπτα.

Ενώ η σκούπα λειτουργεί, η λάμπα είναι αναμμένη. Η λάμπα σβήνει περίπου 10 δευτερόλεπτα μετά τη διακοπή της λειτουργίας.

ΠΑΡΑΤΗΡΗΣΗ: Όταν το υπολειπόμενο φορτίο της μπαταρίας είναι χαμηλό, η λάμπα αρχίζει να αναβοσβήνει. Ο χρόνος που θα αρχίσει να αναβοσβήνει η λάμπα εξαρτάται από τη θερμοκρασία στο χώρο εργασίας και τις συνθήκες τις κασέτας μπαταριών.

- **Εικ.5:** 1. Κουμπί αλλαγής ισχύος αναρρόφησης
2. Κουμπί ενεργοποίησης/απενεργοποίησης
3. Λάμπα

ΣΥΝΑΡΜΟΛΟΓΗΣΗ

▲ ΠΡΟΣΟΧΗ: Να βεβαιώνετε πάντα ότι το εργαλείο είναι σβηστό και η κασέτα μπαταρίας έχει αφαιρεθεί πριν εκτελέσετε κάποια εργασία στο εργαλείο.

Περιγραφή εξαρτημάτων

Προαιρετικό εξάρτημα

Φίλτρο υψηλής απόδοσης και στήριγμα και σπογγώδες φίλτρο

► **Εικ.6:** 1. Κάψουλα 2. Φίλτρο υψηλής απόδοσης 3. Στήριγμα 4. Σπογγώδες φίλτρο

Προφίλτρο ή φίλτρο υψηλής απόδοσης και φίλτρο HEPA

► **Εικ.7:** 1. Κάψουλα 2. Προφίλτρο 3. Φίλτρο υψηλής απόδοσης 4. Φίλτρο HEPA

ΕΙΔΟΠΟΙΗΣΗ: Μην τοποθετήσετε κάτω από το φίλτρο υψηλής απόδοσης ένα προαιρετικό φίλτρο (μη πλεκτό ύφασμα). Τα φίλτρα δεν μπορούν να αφαιρεθούν από τη σκούπα.

ΠΑΡΑΤΗΡΗΣΗ: Μην εγκαταστήσετε ένα προαιρετικό φίλτρο (μη πλεκτό ύφασμα) μεταξύ του φίλτρου HEPA και του προφίλτρου. Η αναρροφητική ισχύς μπορεί να μειωθεί.

ΠΑΡΑΤΗΡΗΣΗ: Να χρησιμοποιείτε πάντα το φίλτρο υψηλής απόδοσης που είναι πλαισιωμένο με ένα γνήσιο σχεδιασμένο στήριγμα όταν το υπερθετέτε στο φίλτρο HEPA.

► **Εικ.8:** 1. Φίλτρο υψηλής απόδοσης 2. Στήριγμα (σχεδιασμένο για φίλτρο υψηλής απόδοσης)

Απόρριψη σκόνης

▲ ΠΡΟΣΟΧΗ: Να αδειάζετε τη σκούπα πριν γεμίσει πλήρως, αλλιώς θα εξασθενήσει η δύναμη αναρρόφησης.

▲ ΠΡΟΣΟΧΗ: Να φροντίζετε να αδειάζετε τη σκόνη από το εσωτερικό της ίδιας της σκούπας. Σε περίπτωση μη συμμόρφωσης μπορεί να προκληθεί φράξιμο του φίλτρου ή βλάβη του κινητήρα.

Για να αφαιρέσετε τη σκόνη η οποία επικάθεται στο φίλτρο μέσα στην κάψουλα, κτυπήστε ελαφρά την κάψουλα 4 ή 5 φορές με το χέρι σας.

► **Εικ.9:** 1. Κάψουλα

Στρέψτε την είσοδο αναρρόφησης προς τα κάτω, περιστρέψτε την κάψουλα προς την κατεύθυνση του βέλους που απεικονίζεται στην εικόνα, και αποσπάστε την κάψουλα αργά και ευθεία.

► **Εικ.10:** 1. Κάψουλα 2. Είσοδος αναρρόφησης

ΠΑΡΑΤΗΡΗΣΗ: Όταν ανοίξει η κάψουλα μπορεί να χυθεί σκόνη, για το λόγο αυτό φροντίστε να τοποθετήσετε μια σακούλα απορριμάτων κάτω από την κάψουλα.

Αφαιρέστε τη συσσωρευμένη σκόνη από το εσωτερικό της κάψουλας και από το φίλτρο υψηλής απόδοσης.

► **Εικ.11:** 1. Κάψουλα 2. Φίλτρο υψηλής απόδοσης

Περιστρέψτε το φίλτρο υψηλής απόδοσης προς την κατεύθυνση του βέλους ώστε να απαφαιστεί το χείλος ασφάλισης από τη μονάδα της σκούπας και στη συνέχεια αποσπάστε το φίλτρο.

► **Εικ.12:** 1. Χείλος ασφάλισης

ΠΑΡΑΤΗΡΗΣΗ: Όταν χρησιμοποιείτε το προφίλτρο, ακολουθήστε και την παραπάνω διαδικασία.

Καθαρίστε την ψιλή σκόνη και κτυπήστε ελαφρά για να αποκολληθεί η σκόνη από το φίλτρο υψηλής απόδοσης.

Επανασυναρμολόγηση

Συνδέστε το φίλτρο υψηλής απόδοσης. Σε αυτή τη φάση, φροντίστε να περιστρέψετε το φίλτρο υψηλής απόδοσης, ώστε το χείλος ασφάλισης να ασφαλιστεί σταθερά μέσα στη μονάδα της σκούπας.

► **Εικ.13:** 1. Φίλτρο υψηλής απόδοσης

► **Εικ.14:** 1. Χείλος ασφάλισης

ΕΙΔΟΠΟΙΗΣΗ: Να ελέγχετε πάντα αν το φίλτρο υψηλής απόδοσης έχει τοποθετηθεί σωστά πριν από τη χρήση της σκούπας. Αν δεν τοποθετηθεί σωστά, θα εισέλθει σκόνη μέσα στο περίβλημα του μοτέρ και θα προκληθεί βλάβη του μοτέρ.

Αν παρουσιαστεί το πρόβλημα που περιγράφεται πιο κάτω, το φίλτρο υψηλής απόδοσης δεν έχει τοποθετηθεί σωστά. Τοποθετήστε το κατάλληλα εκ νέου για να διορθώσετε το πρόβλημα.

Προσαρτήστε την κάψουλα. Ευθυγραμμίστε το σήμα στην κάψουλα με το σήμα στη λαβή και μετά περιστρέψτε σταθερά την κάψουλα προς την κατεύθυνση του βέλους, έως ότου ασφαλιστεί.

► **Εικ.15:** 1. Σήμα 2. Λαβή 3. Κάψουλα

ΠΑΡΑΤΗΡΗΣΗ: Να αφαιρείτε πάντα τη σκόνη εγκαίρως, επειδή η ισχύς αναρρόφησης μειώνεται σημαντικά, αν υπάρχει υπερβολική ποσότητα σκόνης στο εσωτερικό της σκούπας.

Παραδείγματα προβλημάτων

Το χείλος ασφάλισης του φίλτρου υψηλής απόδοσης δεν έχει ασφαλιστεί σταθερά μέσα στην αύλακα του περιβλήματος σκούπας.

► **Εικ.16:** 1. Χείλος ασφάλισης 2. Αύλακα περιβλήματος σκούπας

Τοποθέτηση ή αφαίρεση στήριγματος / φίλτρου HEPA

Προαιρετικό εξάρτημα

Για το στήριγμα και το σπογγώδες φίλτρο

Για να αφαιρέσετε το στήριγμα, σπρώξτε προς τα πάνω το κάτω μέρος από τα κολονάκια του στήριγματος με τα δάχτυλά σας και ελευθερώστε την αύλακα του από την προεξοχή της σκούπας. Στη συνέχεια, αφαιρέστε το σπογγώδες φίλτρο.

► **Εικ.17:** 1. Στήριγμα 2. Σπογγώδες φίλτρο

Για την τοποθέτηση, ευθυγραμμίστε τις αύλακες του στηρίγματος με την προεξοχή της σκούπας και στρώστε μέχρι να ασφαλίσει.

Περάστε το σπογγώδες φίλτρο μέσα από τα κολονάκια και τοποθετήστε το στην αρχική θέση.

Για το φίλτρο HEPA

Όταν τοποθετείτε το φίλτρο HEPA, προσαρμόστε την αλάκωση του φίλτρου HEPA στην προεξοχή της σκούπας. Κατόπιν, τοποθετήστε το προφίλτρο ή το φίλτρο υψηλής απόδοσης στο φίλτρο HEPA και περιστρέψτε το για να ασφαλίσει. Για την αφαίρεση, ακολουθήστε τη διαδικασία τοποθέτησης με αντίστροφη σειρά.

► **Εικ.18:** 1. Φίλτρο HEPA 2. Προφίλτρο

► **Εικ.19:** 1. Φίλτρο HEPA 2. Φίλτρο υψηλής απόδοσης

ΛΕΙΤΟΥΡΓΙΑ

▲ ΠΡΟΣΟΧΗ: Μην πλησιάζετε το πρόσωπό σας στην οπή εξαερισμού όταν χρησιμοποιείτε τη σκούπα. Αν φυσήξετε ξένα αντικείμενα μέσα στα μάτια, μπορεί να έχει ως αποτέλεσμα προσωπικό τραυματισμό.

Τοποθέτηση και αφαίρεση των προσαρτημάτων σκούπας

▲ ΠΡΟΣΟΧΗ: Μετά την τοποθέτηση των προσαρτημάτων, βεβαιωθείτε ότι έχουν τοποθετηθεί σταθερά. Αν τα προσαρτήματα δεν τοποθετηθούν καλά, μπορεί να βγουν και να προκαλέσει τραυματισμός.

▲ ΠΡΟΣΟΧΗ: Προσέχετε να μην χτυπήσετε το χέρι σας στον τοίχο κ.λπ. όταν αφαιρείτε τα προσαρτήματα.

Όταν χρησιμοποιείτε προσάρτημα με λειτουργία ασφάλισης

Για να τοποθετήσετε το προσάρτημα, εισαγάγετέ το στην είσοδο αναρρόφησης της σκούπας μέχρι να ασφαλίσει. Βεβαιωθείτε ότι το προσάρτημα έχει ασφαλίσει.

► **Εικ.20:** 1. Είσοδος αναρρόφησης 2. Προσάρτημα με λειτουργία ασφάλισης 3. Γάντζος 4. Κουμπί απασφάλισης

ΕΙΔΟΠΟΙΗΣΗ: Όταν τοποθετείτε το προσάρτημα με λειτουργία ασφάλισης, φροντίστε να ευθυγραμμίσετε το κουμπί απασφάλισης στη σκούπα με τον γάντζο στο προσάρτημα. Αν δεν ευθυγραμμιστούν, το προσάρτημα δεν θα ασφαλίσει και μπορεί να βγει από τη σκούπα.

Για την αφαίρεση, τραβήξτε το προσάρτημα στρώχωντας το κουμπί απασφάλισης.

► **Εικ.21:** 1. Κουμπί απασφάλισης 2. Προσάρτημα με λειτουργία ασφάλισης

Όταν χρησιμοποιείτε προσάρτημα χωρίς λειτουργία ασφάλισης

▲ ΠΡΟΣΟΧΗ: Για να συνδέσετε προσάρτημα χωρίς λειτουργία ασφάλισης, περιστρέψτε και εισαγάγετέ το προς την κατεύθυνση του βέλους για να ασφαλίσετε τη σύνδεση κατά τη διάρκεια της χρήσης. Για να αποσυνδέσετε το προσάρτημα, περιστρέψτε και αποσπάστε το ξανά προς την κατεύθυνση του βέλους. Αν περιστρέψετε το προσάρτημα προς την αντίθετη κατεύθυνση, η κάψουλα μπορεί να χαλαρώσει.

► **Εικ.22**

Καθαρισμός (Αναρρόφηση)

Ακροφύσιο

Προσαρμόστε το ακροφύσιο για να καθαρίσετε τραπέζια, γραφεία, έπιπλα, κ.λπ. Το ακροφύσιο τοποθετείται εύκολα σύροντάς το.

► **Εικ.23:** 1. Ακροφύσιο

Ακροφύσιο + Ράβδος προέκτασης (Ευθύς σωλήνας)

Η ράβδος προέκτασης τοποθετείται μεταξύ ακροφυσίου και σκούπας. Ο συνδυασμός αυτός διευκολύνει στον καθαρισμό ενός δαπέδου, ενώ ο χειριστής παραμένει σε όρθια θέση.

► **Εικ.24:** 1. Σώμα σκούπας 2. Ράβδος προέκτασης (Ευθύς σωλήνας) 3. Ακροφύσιο

Λεπτό ακροφύσιο

Τοποθετήστε το λεπτό ακροφύσιο για να καθαρίσετε γωνίες και χαραμάδες σε ένα αυτοκίνητο ή έπιπλα.

► **Εικ.25:** 1. Λεπτό ακροφύσιο 2. Σώμα σκούπας

Μπορείτε να αποθηκεύσετε το λεπτό ακροφύσιο στον υποδοχέα ακροφυσίου.

► **Εικ.26:** 1. Υποδοχέας ακροφυσίου 2. Λεπτό ακροφύσιο

▲ ΠΡΟΣΟΧΗ: Προσέχετε να μην παγιδεύσετε το(α) δάχτυλο(α) μεταξύ του λεπτού ακροφυσίου και του υποδοχέα ακροφυσίου. Η παγίδευση δακτύλων μπορεί να προκαλέσει τραυματισμό.

Λεπτό ακροφύσιο + Ράβδος προέκτασης (Ευθύς σωλήνας)

Χρησιμοποιήστε αυτόν το συνδυασμό σε περιορισμένους χώρους, όπου η σκούπα δεν χωρά, ή σε υψηλά σημεία όπου η πρόσβαση είναι δύσκολη.

► **Εικ.27:** 1. Λεπτό ακροφύσιο 2. Ράβδος προέκτασης (Ευθύς σωλήνας) 3. Σώμα σκούπας

Καθαρισμός χωρίς ακροφύσιο

Μπορείτε να συλλέξετε σκόνη χωρίς το ακροφύσιο.

► **Εικ.28**

Για τη συλλογή σκόνης από δάπεδο σε όρθια θέση, είναι βολικό να προσαρμόσετε τη ράβδο προέκτασης στη σκούπα.

► **Εικ.29:** 1. Ράβδος προέκτασης (Ευθύς σωλήνας)

ΣΥΝΤΗΡΗΣΗ

▲ ΠΡΟΣΟΧΗ: Πριν την εκτέλεση εργασιών επιθεώρησης ή συντήρησης, πάντοτε να βεβαιώνεστε ότι η συσκευή απενεργοποιήθηκε και η κασέτα μπαταριών έχει αφαιρεθεί.

Για τη διατήρηση της ΑΣΦΑΛΕΙΑΣ και ΑΞΙΟΠΙΣΤΙΑΣ του προϊόντος, οι επισκευές και οποιαδήποτε άλλη εργασία συντήρησης ή ρύθμισης πρέπει να εκτελούνται από εξουσιοδοτημένα ή εργοστασιακά κέντρα εξυπηρέτησης της Makita, χρησιμοποιώντας πάντοτε ανταλλακτικά της Makita.

Μετά από τη χρήση

▲ ΠΡΟΣΟΧΗ: Αν ακουμπήσετε τη σκούπα στον τοίχο χωρίς καμία άλλη στήριξη μπορεί να προκαλέσει την πτώση της σκούπας, έχοντας ως αποτέλεσμα τον προσωπικό τραυματισμό ή την ζημιά στη σκούπα.

► Εικ.30

Καθαρισμός

▲ ΠΡΟΣΟΧΗ: Καθαρίστε τα φίλτρα όταν φράξουν. Η συνεχής χρήση σε φραγμένη κατάσταση μπορεί να έχει ως αποτέλεσμα τη θέρμανση ή τη φωτιά.

ΕΙΔΟΠΟΙΗΣΗ: Μην χρησιμοποιείτε ποτέ βενζίνη, πετρελαϊκό αιθέρα, διαλυτικό, αλκοόλη ή παρόμοιες ουσίες. Μπορεί να προκληθεί αποχρωματισμός, παραμόρφωση ή ρωγμές.

ΕΙΔΟΠΟΙΗΣΗ: Μη φυσάτε τη σκόνη που έχει κολλήσει στη σκούπα και στα φίλτρα με σπρέι απομάκρυνσης σκόνης. Θα εισέλθει αέρας στο περιβλήμα και θα προκληθεί βλάβη.

ΕΙΔΟΠΟΙΗΣΗ: Μετά το πλύσιμο των φίλτρων, στεγνώστε τα καλά πριν τα χρησιμοποιήσετε. Ένα φίλτρο που δεν έχει στεγνώσει επαρκώς μπορεί να προκαλέσει κακή αναρρόφηση και μείωση της διάρκειας ζωής του μοτέρ.

ΕΙΔΟΠΟΙΗΣΗ: Αφού καθαρίσετε τα φίλτρα και το σπογγώδες φίλτρο, επανατοποθετήστε τα οπωσδήποτε πριν τη χρήση. Αν χρησιμοποιήσετε τη σκούπα χωρίς τα φίλτρα και το σπογγώδες φίλτρο, θα εισέλθει σκόνη στο περιβλήμα του μοτέρ και θα προκληθεί δυσλειτουργία.

Σώμα σκούπας

Περιστασιακά, καθαρίστε το εξωτερικό (σώμα σκούπας) της σκούπας χρησιμοποιώντας ένα πανί που έχετε υγράνει με σαπουνό νερο.

Καθαρίστε, επίσης, το άνοιγμα αναρρόφησης και το χώρο τοποθέτησης των φίλτρων.

► Εικ.31

Φίλτρο υψηλής απόδοσης

Πλύντε το φίλτρο σε σαπουνό νερο, όταν παρατηρηθεί φράξιμο λόγω σκόνης και μείωση της απορροφητικής ισχύος της σκούπας. Στεγνώστε πλήρως πριν από τη χρήση.

► Εικ.32

Φίλτρο HEPA

Προαιρετικό εξάρτημα

ΕΙΔΟΠΟΙΗΣΗ: Μην τρίβετε ή γρατζουνάτε το φίλτρο HEPA με σκληρά αντικείμενα όπως βούρτσες ή σπάτουλα.

Ένα φραγμένο φίλτρο HEPA προκαλεί ανεπαρκή απόδοση αναρρόφησης. Να καθαρίζετε περιστασιακά το φίλτρο.

Να πλένετε περιστασιακά το φίλτρο HEPA σε νερό, να το ξεπλένετε και να το στεγνώνετε πολύ καλά υπό σκιά, πριν από τη χρήση. Μην πλένετε ποτέ το φίλτρο στο πλυντήριο.

► Εικ.33

Σπογγώδες φίλτρο

Όταν το σπογγώδες φίλτρο γεμίσει με σκόνη, καθαρίστε το ως εξής.

1. Αφαιρέστε τα φίλτρα που καλύπτουν το στήριγμα.
2. Βγάλτε το σπογγώδες φίλτρο περνώντας το μέσα από τα κολονάκια.
3. Καθαρίστε το σπογγώδες φίλτρο χτυπώντας το απαλά ή πλένοντάς το. Αν το πλύνετε, στεγνώστε το καλά πριν από τη χρήση.
4. Περάστε το σπογγώδες φίλτρο μέσα από κολονάκια και τοποθετήστε το στην αρχική θέση. Βεβαιωθείτε ότι τα κάτω άκρα σε όλα τα κολονάκια συγκρατούν το σπογγώδες φίλτρο, καθώς και ότι δεν υπάρχει κενό ανάμεσα στο σπογγώδες φίλτρο και το άνοιγμα αναρρόφησης.

► Εικ.34: 1. Σπογγώδες φίλτρο 2. Κάτω άκρο στο κολονάκι

Επιτοίχια στερέωση για φορητή σκούπα

Προαιρετικό εξάρτημα

ΠΑΡΑΤΗΡΗΣΗ: Η βίδα για τη στερέωση της υποδοχής δεν περιλαμβάνεται. Προετοιμάστε μια βίδα που ταιριάζει με το υλικό στο οποίο θα τη βιδώσετε.

Προσαρτήστε την επιτοίχια στερέωση για φορητή σκούπα σε έναν σκληρό ξύλινο τοίχο, δοκό ή στήλη, όπου η επιτοίχια στερέωση για φορητή σκούπα μπορεί να στερεωθεί καλά. Να ελέγχετε πάντα ότι η επιτοίχια στερέωση για φορητή σκούπα είναι καλά συνδεδεμένη πριν κρεμάσετε τη σκούπα.

► Εικ.35: 1. Επιτοίχια στερέωση για φορητή σκούπα

▲ ΠΡΟΣΟΧΗ: Μην κρεμάτε βίαια τη σκούπα στην επιτοίχια στερέωση και μην κρεμάτε συσκευές εκτός από τη σκούπα.

Επίλυση προβλημάτων

Πριν ζητήσετε για επισκευές, ελέγξτε τα ακόλουθα σημεία.

Σύμπτωμα	Περιοχή διερεύνησης	Μέθοδος επιδιόρθωσης
Ασθενής ισχύς αναρρόφησης	Είναι η κάψουλα γεμάτη σκόνη;	Αδειάστε τη σκόνη από την κάψουλα.
	Είναι το φίλτρο φραγμένο;	Καθαρίστε ή πλύνετε το φίλτρο.
	Είναι η κασέτα μπαταριών αποφορτισμένη;	Φορτίστε την κασέτα μπαταρίας.
Δεν λειτουργεί	Είναι η κασέτα μπαταριών αποφορτισμένη;	Φορτίστε την κασέτα μπαταρίας.
Θόρυβος και δόνηση	Είναι το φίλτρο φραγμένο;	Καθαρίστε ή πλύνετε το φίλτρο.
	Είναι το ακροφύσιο, ο σωλήνας ή η είσοδος αναρρόφησης της συσκευής φραγμένα;	Αφαιρέστε τα φραγμένα αντικείμενα στο ακροφύσιο, το σωλήνα ή την είσοδο αναρρόφησης της συσκευής.
	Είναι το ακροφύσιο/είσοδος σωλήνα φραγμένα;	Μη φράσσετε το ακροφύσιο/είσοδο σωλήνα.

ΠΡΟΣΟΧΗ: Μην επιχειρήσετε να επισκευάσετε τη σκούπα μόνοι σας.

ΠΡΟΑΙΡΕΤΙΚΑ ΕΞΑΡΤΗΜΑΤΑ

ΠΡΟΣΟΧΗ: Αυτά τα εξαρτήματα ή προσαρτήματα συνιστώνται για χρήση με το εργαλείο Makita που περιγράφηκε στις οδηγίες αυτές. Η χρήση οποιωνδήποτε άλλων εξαρτημάτων ή προσαρτημάτων μπορεί να προκαλέσει κίνδυνο τραυματισμού σε άτομα. Να χρησιμοποιείτε τα εξαρτήματα ή προσαρτήματα μόνο για την χρήση που προορίζονται.

Εάν χρειάζεστε οποιαδήποτε βοήθεια για περισσότερες πληροφορίες σε σχέση με αυτά τα εξαρτήματα, απαντήστε στο τοπικό σας κέντρο εξυπηρέτησης Makita.

- Ράβδος προέκτασης (Ευθύς σωλήνας)
- Ακροφύσιο
- Ακροφύσιο για μοκέτα
- Βούρτσα ραφιών
- Λεπτό ακροφύσιο
- Στρογγυλή βούρτσα
- Εύκαμπτος σωλήνας
- Φίλτρο (μη πλεκτό ύφασμα)
- Προφίλτρο
- Φίλτρο υψηλής απόδοσης
- Φίλτρο HEPA
- Ακροφύσιο έδρας
- Ακροφύσιο για στενά σημεία
- Επιτοίχια στερέωση για φορητή σκούπα
- Μονάδα κυκλώνα
- Προσάρτημα κυκλώνα
- Τσάντα εργαλείων
- Γνήσια μπαταρία και φορτιστής της Makita

ΠΑΡΑΤΗΡΗΣΗ: Μερικά στοιχεία στη λίστα μπορεί να συμπεριλαμβάνονται στη συσκευασία εργαλείου ως στάνταρ εξαρτήματα. Μπορεί να διαφέρουν ανάλογα με τη χώρα.

Προσάρτημα κυκλώνα

Προαιρετικό εξάρτημα

- **Εικ.36:** 1. Κουμπί απασφάλισης 2. Γάντζος
3. Ράβδος προέκτασης (Ευθύς σωλήνας)
4. Προσάρτημα κυκλώνα 5. Είσοδος αναρρόφησης

Πληροφορίες για το προσάρτημα κυκλώνα

Αν χρησιμοποιείτε τη σκούπα με τοποθετημένο το προσάρτημα κυκλώνα, μειώνεται η ποσότητα της σκόνης που εισέρχεται στην κάψουλα, γεγονός που βοηθάει ώστε να μην εξασθενεί η αναρροφητική ισχύς. Επιπλέον, ο καθαρισμός μετά τη χρήση είναι επίσης απλός.

ΠΡΟΣΟΧΗ: Να βεβαιώνεστε πάντα ότι το εργαλείο είναι απενεργοποιημένο και η κασέτα μπαταριών έχει αφαιρεθεί πριν εκτελέσετε οποιαδήποτε εργασία στο εργαλείο. Αν η κασέτα μπαταριών παραμείνει τοποθετημένη, η σκούπα μπορεί να εκκινήσει απρόσμενα και να προκληθεί τραυματισμός.

ΠΡΟΣΟΧΗ: Καθαρίστε το κυψελωτό φίλτρο του προσαρτήματος κυκλώνα και τα φίλτρα της μονάδας σκούπας όταν φράξουν. Η συνεχής χρήση σε φραγμένη κατάσταση μπορεί να έχει ως αποτέλεσμα τη θέρμανση ή τον καπνό.

ΕΙΔΟΠΟΙΗΣΗ: Όταν είναι τοποθετημένο το προσάρτημα κυκλώνα, μην χρησιμοποιείτε τη σκούπα σε οριζόντια ή ανοδικά στραμμένη θέση. Αν το κάνετε αυτό, το κυψελωτό φίλτρο μπορεί να φράξει.

ΕΙΔΟΠΟΙΗΣΗ: Να χρησιμοποιείτε πάντα τη σκούπα με τα φίλτρα τοποθετημένα, ακόμη και όταν χρησιμοποιείτε το προσάρτημα κυκλώνα. Αν χρησιμοποιήσετε τη σκούπα χωρίς τα φίλτρα τοποθετημένα, μπορεί να έχει ως αποτέλεσμα δυσλειτουργία του μοτέρ.

Καθαρισμός

ΠΑΡΑΤΗΡΗΣΗ: Να ελέγχετε ότι το προσάρτημα κυκλώνα, η σκούπα και η ράβδος προέκτασης (ευθύς σωλήνας) είναι σωστά ασφαλισμένα πριν από τη χρήση.

ΠΑΡΑΤΗΡΗΣΗ: Αδειάστε τη θήκη σκόνης του προσαρτήματος κυκλώνα και την κάψουλα της σκούπας όταν συσσωρευτεί σκόνη. Η συνεχής χρήση θα έχει ως αποτέλεσμα εξασθενημένη αναρροφητική ισχύ.

ΠΑΡΑΤΗΡΗΣΗ: Μπορείτε, επίσης, να χρησιμοποιήσετε το προσάρτημα κυκλώνα χωρίς τη λειτουργία ασφάλισης.

ΠΑΡΑΤΗΡΗΣΗ: Για την εγκατάσταση ή αφαίρεση του προσαρτήματος κυκλώνα, ανατρέξτε στην παράγραφο «Τοποθέτηση και αφαίρεση των προσαρτημάτων σκούπας».

Απόρριψη σκόνης

Όταν έχει συσσωρευτεί σκόνη μέχρι τη γραμμή πληρότητας της θήκης σκόνης, ακολουθήστε την παρακάτω διαδικασία και απορρίψτε τη σκόνη.

1. Κρατήστε τη θήκη σκόνης καλά, πατήστε παρατεταμένα τα δύο κουμπιά και αφαιρέστε τη θήκη σκόνης.

► **Εικ.37:** 1. Γραμμή πληρότητας 2. Θήκη σκόνης 3. Κουμπί (δύο τοποθεσίες) 4. Κυψελωτό φίλτρο

2. Απορρίψτε τη σκόνη στο εσωτερικό της θήκης σκόνης και αφαιρέστε τυχόν σκόνη και πούδρα που έχει προσκολληθεί στην επιφάνεια του κυψελωτού φίλτρου.

3. Εισαγάγετε τη θήκη σκόνης μέχρι τέρμα μέχρι τα δύο κουμπιά να ασφαλισουν με έναν χαρακτηριστικό ήχο «κλικ».

► **Εικ.38:** 1. Θήκη σκόνης 2. Κουμπί (δύο τοποθεσίες)

▲ ΠΡΟΣΟΧΗ: Όταν επανασυναρμολογείτε τη θήκη σκόνης, προσέξτε να μην πιαστούν τα δάχτυλά σας.

ΠΑΡΑΤΗΡΗΣΗ: Ελέγξτε ότι το προσάρτημα κυκλώνα, η σκούπα και η ράβδος προέκτασης (ευθύς σωλήνας) είναι σωστά ασφαλισμένα πριν ξεκινήσετε ξανά τη λειτουργία.

ΠΑΡΑΤΗΡΗΣΗ: Αν η αναρροφητική ισχύς δεν ανακτηθεί ακόμη και μετά την απόρριψη της σκόνης και τον καθαρισμό του κυψελωτού φίλτρου, ελέγξτε αν έχει συσσωρευτεί σκόνη στην κάψουλα της σκούπας ή αν συνέβη φράξιμο.

ΠΑΡΑΤΗΡΗΣΗ: Η σκόνη μπορεί να πεταχτεί προς τα πάνω όταν γίνεται απόρριψη από το προσάρτημα κυκλώνα. Προσέχετε να μην μπει η σκόνη στα μάτια σας.

▲ ΠΡΟΣΟΧΗ: Μετά το πλύσιμο του προσαρτήματος κυκλώνα, στεγνώστε το πολύ καλά πριν από τη χρήση. Τα εξαρτήματα που δεν έχουν στεγνώσει καλά μπορεί να προκαλέσουν ηλεκτροπληξία ή ζημιά στη συσκευή.

Όταν η θήκη σκόνης βρομίσει ή το κυψελωτό φίλτρο φράξει, αφαιρέστε και πλύντε τα με νερό. (Ανατρέξτε στην παράγραφο «Απόρριψη σκόνης» για τη διαδικασία αφαίρεσης.)

Στεγνώστε πολύ καλά τα εξαρτήματα πριν τα τοποθετήσετε ξανά και τα χρησιμοποιήσετε.

► **Εικ.39:** 1. Θήκη σκόνης 2. Κυψελωτό φίλτρο

Όταν το κυψελωτό φίλτρο βρομίσει πάρα πολύ, καθαρίστε το σύμφωνα με τις ακόλουθες διαδικασίες.

1. Περιστρέψτε το κυψελωτό φίλτρο προς την κατεύθυνση του βέλους και αφαιρέστε το ενώ οι γάντζοι είναι απασφαλισμένοι.

► **Εικ.40:** 1. Κυψελωτό φίλτρο 2. Γάντζος

2. Αφαιρέστε τη σκόνη από το κυψελωτό φίλτρο και, στη συνέχεια, πλύντε το με νερό. Μετά, στεγνώστε το πολύ καλά.

3. Εισαγάγετε το κυψελωτό φίλτρο μέσα στη βάση ενώ οι γάντζοι είναι ευθυγραμμισμένοι με τη θύρα. Περιστρέψτε το κυψελωτό φίλτρο προς την κατεύθυνση του βέλους μέχρι οι γάντζοι να ασφαλισουν με έναν χαρακτηριστικό ήχο. Βεβαιωθείτε ότι το κυψελωτό φίλτρο είναι τοποθετημένο με ασφάλεια.

► **Εικ.41:** 1. Κυψελωτό φίλτρο 2. Γάντζος 3. Θύρα

TÜRKÇE (Orijinal talimatlar)

UYARI

- Bu cihaz, gözetim altında bulundurulmaları veya aracın güvenli bir şekilde kullanımına ilişkin eğitim almaları ve aracın kullanımını ile ilgili tehlikeleri anlamış olmaları koşuluyla fiziksel, duyuşsal veya zihinsel engelli ya da tecrübe ve bilgisi olmayan kişiler ve 8 yaş ve üzeri çocuklar tarafından kullanılabilir.
- Çocuklar cihazla oynamamalıdır. Temizlik ve kullanıcı bakım işlemleri, gözetim altında olmadan çocuklar tarafından yapılmamalıdır.
- Bataryanın tip referansı için "TEKNİK ÖZELLİKLER" bölümüne bakın.
- Bataryanın nasıl çıkarılacağı veya takılacağı ile ilgili olarak "Batarya kartuşunun takılması veya çıkartılması" kısmına bakın.
- Batarya kartuşunu bertaraf ederken aletten çıkarın ve güvenli bir yerde bertaraf edin. Bataryanın bertaraf edilmesi ile ilgili yerel düzenlemelere uyun.
- Alet uzun süre kullanılmıyacaksa batarya aletten çıkarılmalıdır.
- Batarya kartuşunu kısa devre yapmayın.
- Kullanıcı bakımı sırasındaki uygun önlem bilgileri için "BAKIM" bölümüne bakın.

TEKNİK ÖZELLİKLER

Model:	DCL284F		
Kapasite	730 mL		
Sürekli kullanım (BL1830B batarya ile)	1 (Sessiz mod)	Yaklaşık 38 dak	
	2 (Normal hız modu)	Yaklaşık 21 dak	
	3 (Yüksek hız modu)	Yaklaşık 15 dak	
	4 (Maksimum hız modu)	Yaklaşık 8 dak	
Toplam uzunluk (boru, emme başlığı ve BL1830B batarya ile)	1.066 mm		
Anma voltajı	D.C. 18 V		
Net ağırlık	1,3 - 1,7 kg		

- Sürekli yapılan araştırma ve geliştirmelerden dolayı, burada belirtilen özellikler önceden bildirilmeksizin değiştirilebilir.
- Özellikler ülkeden ülkeye değişebilir.
- Ağırlık, batarya kartuşu/kartuşları hariç aksesuarları içermez. Cihazın ve batarya kartuşunun/kartuşlarının en hafif ve en ağır birleşik ağırlığı tabloda gösterilmiştir.

Geçerli batarya kartuşu ve şarj aleti

Batarya kartuşu	BL1815N / BL1820B / BL1830B / BL1840B / BL1850B / BL1860B
Şarj aleti	DC18RC / DC18RD / DC18RE / DC18SD / DC18SE / DC18SF / DC18SH / DC18WC

- Yukarıda listelenen batarya kartuşlarının ve şarj aletlerinin bazıları yaşadığınız bölgeye bağlı olarak mevcut olmayabilir.

UYARI: Sadece yukarıda listelenen batarya kartuşlarını ve şarj aletlerini kullanın. Başka batarya kartuşlarının ve şarj aletlerinin kullanılması yaralanma ve/veya yangına neden olabilir.

Semboller

Ekipmanı için kullanılacak semboller aşağıda gösterilmiştir. Kullanmadan önce anlamlarını anladığınızdan emin olun.



El kitabını okuyun.



Bu ürün için geçerli temsili bir batarya.



Sadece AB ülkeleri için Ekipmanda tehlikeli bileşenler bulunduğundan dolayı atık elektrikli ve elektronik ekipmanlar, aküler ve bataryalar çevre ve insan sağlığı üzerinde olumsuz etkiye yol açabilir. Elektrikli ve elektronik cihazları veya bataryaları evsel atıklarla birlikte atmayın! Atık elektrikli ve elektronik ekipmanlar ile akümülatörler ve bataryalar hakkındaki Avrupa Direktifi ve söz konusu direktifin ulusal yasalara uyarlanması gereğince atık elektrikli ekipmanlar, bataryalar ve akümülatörler ayrı olarak depolanmalı ve çevre koruma hakkındaki mevzuata uygun olarak faaliyet gösteren ayrı bir kentsel atık toplama noktasına teslim edilmelidir. Bu husus, ekipmanın üzerine yerleştirilmiş üzerinde çarpı işareti bulunan tekerlekli çöp kovası simgesi ile belirtilmiştir.

Kullanım amacı

Bu alet kuru tozları toplamak amacıyla kullanılır.

GÜVENLİK UYARILARI

Akülü süpürge güvenlik uyarıları

⚠UYARI: ÖNEMLİ! KULLANMADAN ÖNCE tüm güvenlik uyarılarını ve tüm talimatları DİKKATLE OKUYUN. Uyarılara ve talimatlara uyulmaması elektrik şoku, yangın ve/veya ciddi yaralanmalar ile sonuçlanabilir.

1. Yağmura maruz bırakmayın. Kapalı yerde saklayın.
2. Bir oyuncak gibi kullanılmasına izin vermeyin. Çocuklar tarafından veya onların yakınında kullanılırken yakın ilgi gerekir.
3. Sadece bu kılavuzda belirtilen şekilde kullanın. Sadece imalatçının tavsiye ettiği ek parçaları kullanın.
4. Bozuk batarya ile kullanmayın. Bu aygıt eğer çalışması gerektiği gibi çalışmıyorsa, yere düşürülmüşse, hasar görmüşse, açık havada bırakılmışsa veya suya düşürülmüşse, onu bir servis merkezine iade edin.
5. Cihazı ıslak elle tutmayın.
6. Deliklerin üstüne herhangi bir nesne koymayın. Delikleri tıkalıyken kullanmayın; deliklerden tozları, tiftikleri, kılları ve hava akışını engelleyebilecek her şeyi temizleyin.
7. Saçlarınızı, bol giysilerinizi ve vücudunuzun tüm kısımlarını deliklerden ve hareketli parçalardan uzak tutun.

8. Bataryayı çıkarmadan önce tüm kontrolleri kapatın.
9. Merdivenlerde temizlik yaparken daha dikkatli olun.
10. Benzin gibi çabuk tutuşan veya yanıcı sıvıları toplamak için veya onların bulunabileceği yerlerde bu aleti kullanmayın.
11. Pili şarj etmek için sadece imalatçının verdiği şarj aletini kullanın.
12. Sigaralar, kibritler veya sıcak küller gibi yanmakta veya duman çıkarmakta olan herhangi bir şeyi toplamayın.
13. Toz torbası ve/veya filtreler takılı olmadan kullanmayın.
14. Bataryayı açık alanda şarj etmeyin.
15. Sadece üretici tarafından belirtilen şarj aleti ile şarj edin. Bir batarya kutusu için uygun olan şarj cihazı başka bir batarya kutusu ile kullanıldığında yangın riski oluşturabilir.
16. Cihazları sadece özel olarak belirtilen batarya kutuları ile kullanın. Başka batarya kutularının kullanımı yaralanma ve yangın riski oluşturabilir.
17. Batarya kutusu kullanılmadığında; iki terminal arasında bağlantı kurulmasına sebep olacak ataç, bozuk para, anahtar, çivi, vida gibi metal nesnelere ya da küçük metal objelerden uzak tutun.
18. Kötü koşullarda bataryadan sıvı sızabilir; bu sıvıya temas etmeyin. Kaza sonucu temas ederseniz suyla durulayın.
19. Hasar görmüş ya da üzerinde değişiklik yapılmış batarya kutusu veya cihazı kullanmayın. Hasar görmüş ya da üzerinde değişiklik yapılmış bataryalar yangın, patlama ya da yaralanma riski ile sonuçlanan beklenmedik davranışlar sergileyebilir.
20. Batarya kutusunu veya cihazı ateşe ya da aşırı sıcaklıklara maruz bırakmayın. Ateşe ya da 130 °C'nin üzerindeki sıcaklıklara maruz bırakmak patlamaya neden olabilir.
21. Tüm şarj talimatlarına uyun ve batarya kutusu ya da cihazı yönergelerde belirtilen sıcaklık aralığının dışındaki sıcaklıklarda şarj etmeyin. Uygun olmayan bir şekilde ya da belirtilen sıcaklık aralığının dışında şarj etmek bataryaya zarar verebilir ve yangın riskini artırabilir.

BU TALİMATLARI SAKLAYIN.

EK GÜVENLİK KURALLARI

Bu aygıt ev kullanımı içindir.

1. Kullanmadan önce bu kullanma kılavuzunu ve şarj aletinin kullanma kılavuzunu dikkatle okuyun.
2. Aşağıdaki maddeleri süpürgeye çekmeyin:
 - Yanan veya duman çıkaran sıcak maddeler (sigaralar, kibritler, tütsü çubukları, mumlar, sıcak küller), kıvılcımlar ve metal kesme veya taşlamadan kaynaklanan metal tozu, vb.
 - Yanıcı sıvı (gaz yağı, yakıt, benzin, tiner gibi solventler, vb.)
 - Yanıcı malzeme (toner, boya, sprey, vb.)

- Patlayıcı veya piroforik maddeler (nitrogliserin, alüminyum, magnezyum, titanyum, çinko, kırmızı fosfor, sarı fosfor, selüloit vb. ve bunların tozu, gazı veya buharı)
- Sıvı, yağ, ıslak pislik veya nemli çöp (kumuk ve dışkı dahil)
- Keskin kenarlı sert cisimler (odun yongaları, metallere, taşlar, camlar, çiviler, iğneler, jiletler veya kesici aletler)
- Katılaştırıcı ve iletken ince toz (metal veya kömür tozu)
- Köpük benzeri halı temizlik maddesi, vb. (patlama veya yangına neden olabilirler)
- Büyük miktarda toz (un, yangın söndürücü tozu, vb.)
- Toksik belirtilere neden olan maddeler
- Aşındırıcı kimyasallar (asit, alkali, vb.)
- Çimento gibi ince bağlayıcı toz
- Beton tozu gibi ince parçacıklar
- Nem alıcılar
- Asbest
- Tarım ilaçları

Böyle bir eylem yangına, yaralanmaya ve/veya maddi hasara neden olabilir.

Bu kimyasallara maruz kalmanızı azaltmak için her zaman, mikroskobik parçacıkları filtrelemek için özel olarak tasarlanmış toz maskeleri gibi onaylı solunum koruması takın. Çıkan havayı yüzünüzden ve vücudunuzdan uzağa yönlendirin.

3. **Anormal bir durum fark ederseniz çalışmayı hemen durdurun.**
4. **Süpergeyi düşürür veya çarparsanız, kullanmadan önce çatlak veya hasar kontrolü yapın.**
5. **Ocaklara ve başka ısı kaynaklarına yaklaştırmayın.**
6. **Giriş deliğini veya havalandırma deliklerini tıkamayın.**

BU TALİMATLARI SAKLAYIN.

Batarya kartuşu hakkında önemli güvenlik talimatları

1. **Batarya kartuşunu kullanmadan önce, tüm talimatları ve (1) batarya kartuşu, (2) batarya ve (3) ürün üzerindeki tüm uyarı işaretlerini okuyun.**
 2. **Batarya kartuşunu parçalarına ayırmayın veya kurcalamayın.** Yangın, aşırı ısı veya patlamaya neden olabilir.
 3. **Çalışma süresi aşırı derecede kısalmışsa kullanmayı derhal bırakın.** Aşırı ısınma, yanma riski hatta patlamaya neden olabilir.
 4. **Gözünüze elektrolit kaçarsa, gözlerinizi temiz suyla durulayın ve hemen tıbbi yardım alın.** Görme kaybına yol açabilir.
 5. **Batarya kartuşuna kısa devre yaptırmayın:**
 - (1) **Terminallere herhangi bir iletken madde değdirmeyin.**
 - (2) **Batarya kartuşunu çiviler, madeni paralar, vb. gibi başka metal nesnelere aynı kaba koymaktan kaçının.**
 - (3) **Batarya kartuşunu yağmura ya da suya maruz bırakmayın.**
- Kısa devre, büyük bir akım akışına, aşırı ısınmaya, olası yanıklara hatta bataryanın bozulmasına yol açabilir.**

6. **Aleti ve batarya kartuşunu sıcaklığın 50°C ya da daha yükseğe ulaştığı yerlerde saklamayın ve kullanmayın.**
7. **Aşırı derecede hasar görmüş ya da tamamen kullanılamaz durumda olsa bile batarya kartuşunu yakmayın.** Batarya kartuşu ateşe atılırsa patlayabilir.
8. **Batarya kartuşunu çivilemeyin, kesmeyin, ezmeyin, fırlatmayın, düşürmeyin ya da batarya kartuşuna sert bir nesne ile vurmeyin.** Bu eylemler yangın, aşırı ısı veya patlamaya neden olabilir.
9. **Hasarlı bataryayı kullanmayın.**
10. **Aletin içerdiği lityum-iyon bataryalar Tehlikeli Eşyalar Yönetmeliğinin gereksinimlerine tabidir.** Ticari nakliye işlemleri için, örneğin üçüncü taraflar, nakliye acenteleri tarafından yapılan nakliyelerde, paketleme ve etiketleme gereksinimlerine uyulmalıdır. Nakliyesi yapılacak ürünün hazırlanması için, tehlikeli maddeler konusunda uzman bir kişiye danışın. Lütfen muhtemelen daha ayrıntılı olan ulusal yönetmeliklere de uyun. Açık kontakları bantlayın ya da maskeleyin ve bataryayı paketin içinde hareket etmeyecek şekilde paketleyin.
11. **Batarya kartuşunu bertaraf ederken aletten çıkarın ve güvenli bir yerde bertaraf edin.** **Bataryanın bertaraf edilmesi ile ilgili yerel düzenlemelere uyunuz.**
12. **Bataryaları sadece Makita tarafından belirtilen ürünlerle kullanın.** Bataryaların uyumsuz ürünlere takılması; yangın, aşırı ısınma, patlama ya da elektrolit sızıntısına neden olabilir.
13. **Alet uzun süre kullanılmıyacaksa batarya aletten çıkarılmalıdır.**
14. **Kullanma sırasında ve sonrasında batarya kartuşu ısınarak yanıklara veya düşük sıcaklık yanıklarına yol açabilir.** Sıcak batarya kartuşları ile işlem yaparken dikkat edin.
15. **Yanıklara neden olabilecek kadar sıcak olabileceğinden kullandıktan hemen sonra aletin terminaline dokunmayın.**
16. **Batarya kartuşunun terminalerine, deliklerine ve kanallarına micir, toz veya toprak girmesine izin vermeyin.** Aletin veya batarya kartuşunun ısınmasına, alev almasına, patlamasına ve arızalanmasına neden olarak yanıklara veya yaralanmaya yol açabilir.
17. **Alet yüksek gerilim elektrik güç hatlarında kullanımı desteklemediği sürece batarya kartuşunu yüksek gerilim elektrik güç hatlarının yakınında kullanmayın.** Aletin veya batarya kartuşunun arızalanmasına veya bozulmasına neden olabilir.
18. **Bataryayı çocuklardan uzak tutun.**

BU TALİMATLARI MUHAFAZA EDİNİZ.

⚠ DİKKAT: Sadece orijinal Makita bataryalarını kullanın. Orijinal olmayan Makita bataryaları ya da üzerine değişiklik yapılmış bataryaların kullanımı bataryanın patlamasına ve sonuç olarak yangın, kişisel yaralanma ve hasara neden olabilir. Ayrıca Makita aleti ve şarj aletinin Makita tarafından sunulan garantisini geçersiz kılar.

Maksimum batarya ömrü için ipuçları

1. Batarya kartuşunu tamamen boşalmadan önce şarj edin. Aletin gücünün zayıflamaya başladığını fark ettiğinizde aleti durdurun ve batarya kartuşunu şarj edin.
2. Tam dolu bir batarya kartuşunu asla yeniden şarj etmeyin. Aşırı şarj etme bataryanın hizmet ömrünü kısaltır.
3. Batarya kartuşunu 10 °C - 40 °C oda sıcaklığında şarj edin. Sıcak bir batarya kartuşunu şarj etmeden önce soğumasını bekleyin.
4. Batarya kartuşunu kullanırken aletten veya şarj aletinden çıkarın.
5. Uzun bir süre (altı aydan daha fazla) kullanmadığınız durumlarda batarya kartuşunu şarj edin.

İŞLEVSEL NİTELİKLER

⚠️ DİKKAT: Alet üzerinde ayarlama veya işleyiş kontrolü yapmadan önce aletin kapalı ve batarya kartuşunun ayrılmış olduğundan daima emin olun.

⚠️ DİKKAT: Bataryayı takarken parmak(lar)ınızı şekilde gösterildiği gibi süpürge ve batarya arasına kıstırmamaya dikkat edin. Parmak(lar)ın kısırılması yaralanmaya neden olabilir.

► Şek.1

Batarya kartuşunun takılması ve çıkarılması

⚠️ DİKKAT: Batarya kartuşunu takmadan ya da çıkarmadan önce aleti daima kapatın.

⚠️ DİKKAT: Batarya kartuşunu takarken veya çıkarırken aleti ve batarya kartuşunu sıkıca tutun. Aletin ve batarya kartuşunun sıkıca tutulmaması bunların düşürülmesine sebep olabilir ve alet ve batarya kartuşunun zarar görmesine ya da ciddi yaralanmasına yol açabilir.

Batarya kartuşunu çıkarmak için, kartuşun ön tarafındaki düğmeyi kaydırarak kartuşu aletten çıkarın.

► Şek.2: 1. Kırmızı gösterge 2. Düğme 3. Batarya kartuşu

Batarya kartuşunu takmak için, batarya kartuşu üzerindeki dili yuvanın oluşu ile hizalayın ve kartuşu yerine oturtun. Kartuşu, küçük bir tık sesi ile yerine sabitlenene kadar sonuna kadar ittirin. Şekilde gösterildiği gibi kırmızı göstergeyi görebiliyorsanız tam olarak kilitlenmemiş demektir.

⚠️ DİKKAT: Batarya kartuşunu daima kırmızı gösterge görünmeyecek şekilde tam olarak takın. Yerine tam oturmazsa, aletten yanlışlıkla düşebilir, sizin ya da çevrenizdeki kişilerin yaralanmasına neden olabilir.

⚠️ DİKKAT: Batarya kartuşunu zorlayarak takmayın. Kartuş kolay bir şekilde kaymıyorsa doğru yerleştirilmemiş demektir.

Alet/batarya koruma sistemi

Bu alet bir alet/batarya koruma sistemi ile donatılmıştır. Bu sistem motora giden gücü otomatik olarak keserek uzun alet ve batarya ömrü sağlar. Alet veya batarya için aşağıdaki durumlardan biri söz konusu olduğunda aletin işleyişi otomatik olarak durur.

Aşırı yüklenme:

Alet/batarya, anormal derecede yüksek akım çekmesine neden olacak şekilde çalıştırılır. Bu durumda, aleti kapatın ve aletin aşırı yüklenmesine neden olan uygulamayı durdurun. Daha sonra aleti yeniden başlaması için çalıştırın.

Aşırı ısınma:

Alet/batarya aşırı ısındı. Bu durumda, aleti yeniden çalıştırmadan önce aletin/bataryanın soğumasını bekleyin.

Düşük batarya voltajı:

Kalan batarya kapasitesi çok düşüktür ve alet çalışmaz. Bu durum söz konusuysa, bataryayı çıkarıp şarj edin.

Diğer nedenlere karşı korumalar:

Koruma sistemi, alete zarar verebilecek diğer nedenler için de tasarlanmıştır ve aletin otomatik olarak durmasını sağlar. Alet çalışırken geçici duraklama veya durma yaparsa nedenleri ortadan kaldırmak için aşağıdaki tüm adımları uygulayın.

1. Aleti kapatın ve ardından tekrar açarak yeniden çalıştırın.
2. Bataryaları şarj edin veya şarjlı bataryalarla değiştirin.
3. Aletin ve bataryaların soğumasını bekleyin.

Koruma sistemi eski haline getirilerek ilerleme kaydedilemezse yerel Makita Servis Merkezimize başvurun.

Kalan batarya kapasitesinin gösterilmesi

Sadece göstergeli batarya kartuşları için

► Şek.3: 1. Gösterge lambaları 2. Kontrol düğmesi

Kalan batarya kapasitesini göstermesi için batarya kartuşu üzerindeki kontrol düğmesine basın. Gösterge lambaları birkaç saniye yanar.

Gösterge lambaları			Kalan kapasite
Yanıyor	Kapalı	Yanıp sönlüyor	
■	□	▣	%75 ila %100
■	■	□	%50 ila %75
■	■	□	%25 ila %50
■	□	□	%0 ila %25
▣	□	□	Bataryayı şarj edin.
■	■	□	Batarya arızalanmış olabilir.

NOT: Kullanım koşullarına ve ortam sıcaklığına bağlı olarak gösterilen değer gerçek kapasiteden biraz farklılık gösterebilir.

NOT: İlk (en soldaki) gösterge lambası, batarya koruma sistemi çalıştığında yanıp söner.

Anahtar işlemi

- **Şek.4:** 1. Emiş gücü değiştirme düğmesi 2. Açma/Kapatma düğmesi

Süpürgeyi çalıştırmak için Açma/Kapatma düğmesine basmanız yeterlidir. Kapatmak için, Açma/Kapatma düğmesine tekrar basın. Süpürgeyi emiş gücünü, emiş gücü değiştirme düğmesine basarak dört adımda değiştirebilirsiniz. Bu düğmeye her basıldığında Sessiz/Normal/Yüksek/Maksimum modu bir döngü halinde tekrarlanır.

Seviye	Gösterge	Mod
1		Sessiz mod
2		Normal hız modu
3		Yüksek hız modu
4		Maksimum hız modu

NOT: Emiş gücünü, süpürgeyi açmadan önce değiştirebilirsiniz.

NOT: Süpürge son çalışmadaki aynı emiş gücü ile çalışmaya başlar.

Lambaların yakılması

⚠DİKKAT: Işığa bakmayın ya da ışık kaynağını doğrudan görmeyin.

Lambayı açmak için emiş gücü değiştirme düğmesine basın. Lamba, yaklaşık 10 saniye içinde söner. Süpürge çalışırken, lamba yanar. Çalışma durdurulduktan yaklaşık 10 saniye sonra lamba söner.

NOT: Kalan batarya kapasitesi düştüğünde, lamba yanıp sönmeye başlar. Lambanın yanıp sönmeye başlamaya zamanı, çalışma ortamının sıcaklığına ve batarya kartuşunun koşullarına göre değişir.

- **Şek.5:** 1. Emiş gücü değiştirme düğmesi 2. Açma/Kapatma düğmesi 3. Lamba

MONTAJ

⚠DİKKAT: Alet üzerinde herhangi bir iş yapmadan önce aletin kapalı ve batarya kartuşunun ayrılmış olduğundan daima emin olun.

Parçaların tanımı

İsteğe bağlı aksesuar

Yüksek performanslı filtre ve mesnet ve sünger filtre

- **Şek.6:** 1. Kapsül 2. Yüksek performanslı filtre 3. Mesnet 4. Sünger filtre

Ön filtre veya yüksek performanslı filtre ve HEPA filtre

- **Şek.7:** 1. Kapsül 2. Ön filtre 3. Yüksek performanslı filtre 4. HEPA filtre

ÖNEMLİ NOT: Yüksek performanslı filtrenin altına isteğe bağlı bir filtre (dokumasız bez) koymayın. Filtreler süpürgeден çıkarılamayabilir.

NOT: HEPA filtre ile ön filtrenin arasına isteğe bağlı bir filtre (dokumasız bez) takmayın. Emiş gücü düşebilir.

NOT: HEPA filtrenin üzerine koyarken daima orijinal olarak tasarlanmış bir mesnet ile çerçevelenmiş yüksek performanslı filtreyi kullanın.

- **Şek.8:** 1. Yüksek performanslı filtre 2. Mesnet (yüksek performanslı filtre için tasarlanmış)

Tozun boşaltılması

⚠DİKKAT: Aşırı dolmadan veya emme kuvveti zayıflamadan önce süpürgeyi boşaltın.

⚠DİKKAT: Süpürgeyi kendi içindeki tozları da boşaltmayı unutmayın. Bunun yapılmaması filtrenin tıkanmasına veya motorun hasar görmesine neden olabilir.

Kapsüldeki filtre üstüne yapışmış tozları silkelemek için, kapsüle elinizle 4 veya 5 kez vurun.

- **Şek.9:** 1. Kapsül

Emme ağzını aşağı doğru yönlendirin, kapsülü şekildedeki ok yönünde döndürün ve kapsülü yavaşça ve düz şekilde ayırın.

- **Şek.10:** 1. Kapsül 2. Emme ağzı

NOT: Kapsül açıldığında toz dökülebilir, bu nedenle kapsülün altına mutlaka bir çöp torbası yerleştirin.

Kapsülün içinde ve yüksek performanslı filtrede birikmiş tozları temizleyin.

- **Şek.11:** 1. Kapsül 2. Yüksek performanslı filtre

Emniyet dudağını süpürge ünitesinden gevşetmek için yüksek performanslı filtreyi ok yönünde çevirin ve sonra filtreyi çekip çıkarın.

- **Şek.12:** 1. Emniyet dudağı

NOT: Ön filtreyi kullanırken de yukarıdaki prosedürü izleyin.

İnce tozu temizleyin ve tozu yüksek performanslı filtreden atmak için hafifçe vurun.

Tekrar montaj

Yüksek performanslı filtreyi bağlayın. Bu sırada, emniyet dudağı süpürge ünitesi içine sıkıca kilitlenecek şekilde yüksek performanslı filtreyi çevirmeyi unutmayın.

- **Şek.13:** 1. Yüksek performanslı filtre

- **Şek.14:** 1. Emniyet dudağı

ÖNEMLİ NOT: Süpürgeyi kullanmadan önce yüksek performanslı filtrenin doğru şekilde takıldığını mutlaka kontrol edin. Doğru takılmazsa motor gövdesine toz girerek, motor arızasına neden olur.

Daha sonra açıklandığı üzere sorun ortaya çıkarsa yüksek performanslı filtre doğru takılmamıştır. Sorunu düzeltmek için doğru şekilde yeniden takın.

Kapsülü takın. Kapsül üstündeki işareti sap üstündeki işaretle hizalayın ve sonra sabitleninceye kadar kapsülü ok yönünde çevirin.

► **Şek.15:** 1. İşaret 2. Sap 3. Kapsül

NOT: Tozları daima geç olmadan temizleyin çünkü süpürge içinde çok fazla toz olursa emme gücü azalır.

Problem Örnekleri

Yüksek performanslı filtrenin emniyet dudağı süpürge gövdesindeki oyuğa sıkıca kilitlenmemiş.

► **Şek.16:** 1. Emniyet dudağı 2. Süpürge gövdesindeki oyuk

Mesnet / HEPA filtrenin takılması veya çıkarılması

İsteğe bağlı aksesuar

Mesnet ve sünger filtre için

Mesnedi çıkarmak için mesnet ayaklarının alt kısmından parmaklarınızla yukarı doğru itirin ve oyuğunu süpürge üzerindeki çıkıntıdan kurtarın. Ondan sonra sünger filtreyi çıkarın.

► **Şek.17:** 1. Mesnet 2. Sünger filtre

Takmak için mesnet üzerindeki oyukları süpürge üzerindeki çıkıntı ile hizalayın ve tık sesi ile yerine oturana dek bastırın.

Sünger filtreyi ayakların arasına takın ve orijinal konumuna getirin.

HEPA filtre için

HEPA filtreyi takarken HEPA filtrenin oyuğunu süpürge üzerindeki çıkıntıya geçirin. Ardından ön filtreyi veya yüksek performanslı filtreyi HEPA filtrenin üzerine yerleştirin ve sabitlemek için çevirin. Çıkarmak için, takma prosedürünü tersinden uygulayın.

► **Şek.18:** 1. HEPA filtre 2. Ön filtre

► **Şek.19:** 1. HEPA filtre 2. Yüksek performanslı filtre

KULLANIM

⚠DİKKAT: Süpürgeyi kullanırken yüzünüzü hava deliğine yaklaştırmayın. Gözlere yabancı maddeler girerse yaralanmaya neden olabilir.

Süpürge ek parçalarını takma ve çıkarma

⚠DİKKAT: Ek parçaları taktıktan sonra sıkıca takılıp takılmadıklarını kontrol edin. Ek parçalar kusurlu takılırsa çıkararak yaralanmaya neden olabilirler.

⚠DİKKAT: Ek parçaları çıkarırken elinizi duvara, vb. vurmamaya dikkat edin.

Kilitleme işlevli ek parça kullanırken

Ek parçayı takmak için tık sesi ile yerine oturana dek süpürge emme ağzına sokun. Ek parçanın kilitletiğinden emin olun.

► **Şek.20:** 1. Emme ağzı 2. Kilitleme işlevli ek parça 3. Kanca 4. Serbest bırakma düğmesi

ÖNEMLİ NOT: Kilitleme işlevli ek parçayı takarken süpürge üzerindeki serbest bırakma düğmesini ek parça üzerindeki kanca ile mutlaka hizalayın. Hizalanmazlarsa ek parça kilitlemez ve süpürge den çıkabilir.

Ayrırmak için serbest bırakma düğmesine basarken ek parçayı çekin.

► **Şek.21:** 1. Serbest bırakma düğmesi 2. Kilitleme işlevli ek parça

Kilitleme işlevsiz ek parça kullanırken

⚠DİKKAT: Kilitleme işlevsiz ek parçayı bağlamak için, ok yönünde çevirip takarak kullanım sırasında bağlantının güvenli olmasını sağlayın. Ek parçayı ayırmak için, yine ok yönünde çevirip, dışarı çekin. Ek parça ters yönde çevrilirse kapsül gevşeyebilir.

► **Şek.22**

Temizlik (Emme)

Emme başlığı

Masaları, tezgahları, mobilyaları, vb. temizlemek için emme başlığını takın. Emme başlığı kolayca takılır.

► **Şek.23:** 1. Emme başlığı

Emme başlığı + Uzatma çubuğu (Düz boru)

Uzatma çubuğu emme başlığı ile süpürge arasına takılır. Bu tertibat, zemini ayakta durarak temizleme kolaylığı sağlar.

► **Şek.24:** 1. Süpürge gövdesi 2. Uzatma çubuğu (Düz boru) 3. Emme başlığı

Kenar-köşe emme başlığı

Köşeleri ve bir otomobilin veya mobilyaların kuytu yerlerini temizlemek için kenar-köşe emme başlığını takın.

► **Şek.25:** 1. Kenar-köşe emme başlığı 2. Süpürge gövdesi

Kenar-köşe emme başlığını başlık yuvasında saklayabilirsiniz.

► **Şek.26:** 1. Başlık yuvası 2. Kenar-köşe emme başlığı

⚠DİKKAT: Parmaklarınızı, kenar-köşe emme başlığı ile başlık yuvasının arasına kısırtmamaya dikkat edin. Parmağın/parmakların kısırılması yaralanmaya neden olabilir.

Kenar-köşe emme başlığı + Uzatma çubuğu (Düz boru)

Süpürge'nin kendisinin içine giremediği sıkı yarıklarda veya ulaşılması zor yüksek yerlerde bu tertibatı kullanın.

- **Şek.27:** 1. Kenar-köşe emme başlığı 2. Uzatma çubuğu (Düz boru) 3. Süpürge gövdesi

Emme başlığı olmadan temizleme

Tozları emme başlığı olmadan toplayabilirsiniz.

- **Şek.28**

Zeminin tozunu ayakta durarak almada, süpürgeye uzatma çubuğunu takmak rahatlık sağlar.

- **Şek.29:** 1. Uzatma çubuğu (Düz boru)

BAKIM

⚠DİKKAT: Muayene ya da bakım yapmadan önce aletin kapalı ve batarya kartuşunun çıkartılmış olduğundan daima emin olun.

Aleti EMNİYETLİ ve ÇALIŞMAYA HAZIR durumda tutmak için onarımlar, başka her türlü bakım ve ayarlamalar daima Makita yedek parçaları kullanılarak Makita Yetkili Servis Merkezleri veya Fabrika Servis Merkezleri tarafından yapılmalıdır.

Kullanım sonrası

⚠DİKKAT: Süpürgeyi hiçbir destek olmadan duvara dayamak süpürge'nin düşmesine neden olarak yaralanmaya veya süpürge'nin hasar görmesine yol açabilir.

- **Şek.30**

Temizleme

⚠DİKKAT: Tıkanıklarında filtreleri temizleyin. Tıkalı durumda kullanmaya devam etmek ısınma veya yangına neden olabilir.

ÖNEMLİ NOT: Benzin, tiner, alkol ve benzeri maddeleri kesinlikle kullanmayın. Renk değişimi, deformasyon veya çatlaklar oluşabilir.

ÖNEMLİ NOT: Süpürge ve filtrelere yapışan tozu, toz alıcı sprey ile temizlemeyin. Gövdenin içine toz getirerek arızaya neden olur.

ÖNEMLİ NOT: Filtreleri yıkadıktan sonra kullanmadan önce tamamen kurutun. Yeterince kurumamış filtreler emmenin kötüleşmesine ve motorun hizmet ömrünün kısalmasına neden olabilir.

ÖNEMLİ NOT: Filtreleri ve sünger filtreyi temizledikten sonra kullanmadan önce bunları mutlaka yeniden takın. Süpürgeyi, filtreler ve sünger filtre olmadan kullanırsanız motor gövdesinin içine toz girerek arızaya neden olur.

Süpürge gövdesi

Zaman zaman sabunlu suyla ıslatılmış bir bezle süpürge'nin dış kısmını (süpürge gövdesini) silin.

Emme ağzını ve filtre takma bölgesini de temizleyin.

- **Şek.31**

Yüksek performanslı filtre

Filtreyi, tozla tıkandığı ve süpürge'nin temizleme gücü zayıfladığı zaman, sabunlu suyla yıkayın. Kullanmadan önce, filtreyi tamamen kurutun.

- **Şek.32**

HEPA filtre

İsteğe bağlı aksesuar

ÖNEMLİ NOT: HEPA filtreyi fırça veya kürek gibi sert nesnelere vurmaya veya çizmeye.

HEPA filtresinin tıkanması emme performansında düşüşe neden olur. Filtreyi belli aralıklarla temizleyin.

HEPA filtreyi belirli aralıklarla suyla yıkayıp durulayın ve kullanmadan önce gölgede tamamen kurutun. Filtreyi asla çamaşır makinesinde yıkamayın.

- **Şek.33**

Sünger filtre

Sünger filtre kirlendiğinde şu şekilde temizleyin.

1. Mesnedi örten filtreleri çıkarın.
2. Sünger filtreyi ayakların arasından çekerek çıkarın.
3. Sünger filtreyi vurarak veya yıkayarak temizleyin. Yıkarsanız kullanmadan önce tamamen kurutun.
4. Sünger filtreyi ayakların arasından takın ve orijinal konumuna getirin. Her bir ayak alt kenarının sünger filtreyi tuttuğundan ve sünger filtre ile emme ağzı arasında boşluk olmadığından emin olun.

- **Şek.34:** 1. Sünger filtre 2. Ayak alt kenarı

Akülü süpürge için duvar montaj aparatı

İsteğe bağlı aksesuar

NOT: Montaj aparatını monte etmek için vida dahil değildir. Vidalanacak materyale uygun bir vida hazır edin.

Akülü süpürge için duvar montaj aparatını, akülü süpürge için duvar montaj aparatının sağlam bir şekilde sabitlenebileceği sert ahşap duvara, kirişe veya kolona monte edin. Süpürgeyi asmadan önce akülü süpürge için duvar montaj aparatının sağlam bir şekilde monte edildiğinden mutlaka emin olun.

- **Şek.35:** 1. Akülü süpürge için duvar montaj aparatı

⚠DİKKAT: Süpürgeyi duvar montaj aparatına şiddetli bir şekilde asmayın veya süpürge dışında başka cihazlar asmayın.

Sorun giderme

Onarım yaptırmaya çalışmadan önce aşağıdaki hususları kontrol edin.

Belirti	Muayene edilecek bölge	Giderme yöntemi
Zayıf emme gücü	Kapsül tozla dolu mu?	Kapsüldeki tozu boşaltın.
	Filtre tıkalı mı?	Filtreyi yıkayın veya temizleyin.
	Batarya kartuşunun şarjı bitmiş mi?	Batarya kartuşunu şarj edin.
Çalışmıyor	Batarya kartuşunun şarjı bitmiş mi?	Batarya kartuşunu şarj edin.
Gürültü ve titreşim	Filtre tıkalı mı?	Filtreyi yıkayın veya temizleyin.
	Emme başlığı, boru veya cihazın emme ağzı tıkanmış mı?	Emme başlığı, boru veya cihazın emme ağzına tıkanan nesnelere çıkarın.
	Emme başlığı/boru girişini tıkanmış mı?	Emme başlığı/boru girişini tıkamayın.

⚠ DİKKAT: Süpürgeyi kendiniz onarmaya çalışmayın.

İSTEĞE BAĞLI AKSESUARLAR

⚠ DİKKAT: Bu aksesuarlar ve ek parçalar bu el kitabında belirtilen Makita aletiniz ile kullanılmak için tavsiye edilmektedir. Herhangi başka bir aksesuar ya da ek parça kullanılması insanlar için bir yaralanma riski getirebilir. Aksesuarları ya da ek parçaları yalnızca belirtilmiş olan kullanım amaçlarına uygun olarak kullanın.

Bu aksesuarlarla ilgili daha fazla bilgiye ihtiyaç duyarsanız bulunduğunuz yerdeki yetkili Makita servisine başvurun.

- Uzatma çubuğu (Düz boru)
- Emme başlığı
- Halı ağzı
- Raf fırçası
- Kenar-köşe emme başlığı
- Yuvarlak fırça
- Esnek hortum
- Filtre (dokumasız bez)
- Ön filtre
- Yüksek performanslı filtre
- HEPA filtre
- Koltuk emme başlığı
- Dar alan emme başlığı
- Akülü süpürge için duvar montaj aparatı
- Siklon ünitesi
- Siklon ek parçası
- Alet çantası
- Orijinal Makita batarya ve şarj aleti

NOT: Listedeki parçaların bazıları alet paketi içerisinde standart aksesuar olarak dahil edilmiş olabilir. Bunlar ülkeden ülkeye farklılık gösterebilir.

Siklon ek parçası

İsteğe bağlı aksesuar

- **Şek.36:** 1. Serbest bırakma düğmesi 2. Kanca 3. Uzatma çubuğu (Düz boru) 4. Siklon ek parçası 5. Emme ağzı

Siklon ek parçası hakkında

Süpürgeyi siklon ek parçası takılı durumda kullanmak kapsüle giren toz miktarını azaltarak emiş gücünün zayıflamasını önlemeye yardımcı olur. Ek olarak kullanım sonrası temizleme de kolaylaşır.

⚠ DİKKAT: Alet üzerinde herhangi bir işlem yapmadan önce mutlaka aletin kapalı ve batarya kartuşunun çıkarılmış olduğundan emin olun. Batarya kartuşu takılı bırakılırsa süpürge beklenmedik şekilde çalışabilir ve yaralanmaya neden olabilir.

⚠ DİKKAT: Siklon ek parçasının gözenekli filtresini ve süpürge ünitesinin filtrelerini tıkanıklıkta temizleyin. Tıkalı durumda kullanmaya devam etmek ısınma veya dumana neden olabilir.

ÖNEMLİ NOT: Siklon ek parçası takılı iken süpürgeyi yatay veya yukarı bakar konumda kullanmayın. Bunun yapılması gözenekli filtrenin tıkanmasına neden olabilir.

ÖNEMLİ NOT: Süpürgeyi, siklon ek parçasını kullanırken bile, her zaman filtreler takılı olarak kullanın. Süpürgeyi filtreler takılı olmadan kullanması motor arızasına neden olabilir.

NOT: Kullanmadan önce siklon ek parçası, süpürge ve uzatma çubuğunun (düz boru) düzgün bir şekilde kilitletiğini kontrol edin.

NOT: Toz biriktiğinde siklon ek parçasının toz kutusu ve süpürge kapsülünü boşaltın. Kullanmaya devam etmek zayıf emiş gücüne yol açar.

NOT: Siklon ek parçasını kilitleme işlevi olmadan da kullanabilirsiniz.

NOT: Siklon ek parçasını takmak veya çıkarmak için "Süpürge ek parçalarını takma ve çıkarma" kısmına bakın.

Tozun boşaltılması

Toz kutusunun dolu çizgisine kadar toz biriktiğinde aşağıdaki prosedürü izleyerek tozu boşaltın.

1. Toz kutusunu sıkıca tutun, iki düğmeye basarak basılı tutun ve toz kutusunu çıkarın.
► **Şek.37:** 1. Dolu çizgisi 2. Toz kutusu 3. Düğme (iki yerde) 4. Gözenekli filtre
2. Toz kutusunun içindeki tozu boşaltın ve gözenekli filtrenin yüzeyine yapışan tüm tozu temizleyin.
3. Toz kutusunu, iki düğme bir tık sesi ile kilitlene kadar sonuna dek sokun.
► **Şek.38:** 1. Toz kutusu 2. Düğme (iki yerde)

⚠ DİKKAT: Toz kutusunu yeniden takarken parmaklarınızı kısırmamaya dikkat edin.

NOT: Yeniden çalışmaya başlamadan önce siklon ek parçası, süpürge ve uzatma çubuğunun (düz boru) düzgün bir şekilde kilitletiğini kontrol edin.

NOT: Tozu boşalttıktan ve gözenekli filtreyi temizledikten sonra bile emiş gücü toparlanmazsa süpürge kapsülünde toz birikip birikmediğini veya tıkanma olup olmadığını kontrol edin.

NOT: Siklon ek parçasından boşaltırken toz uçuşabilir. Tozun gözlerinize kaçmamasına dikkat edin.

Temizleme

⚠ DİKKAT: Siklon ek parçasını yıkadıktan sonra kullanmadan önce tümüyle kurutun. Yeterince kurumamış bileşenler elektrik çarpmasına veya cihazın hasar görmesine neden olabilir.

Toz kutusu kirlendiğinde veya gözenekli filtre tıkanıldığında bunları çıkarıp su ile yıkayın. (Çıkarma prosedürü için "Tozun boşaltılması" kısmına bakın.)

Yeniden takmadan ve kullanmadan önce parçaları tamamen kurutun.

- **Şek.39:** 1. Toz kutusu 2. Gözenekli filtre

Gözenekli filtre çok kirlendiğinde aşağıdaki prosedürleri izleyerek temizleyin.

1. Gözenekli filtreyi ok yönünde çevirin ve kancalar açıkken çıkarın.
► **Şek.40:** 1. Gözenekli filtre 2. Kanca
2. Gözenekli filtre üzerindeki tozu temizleyin ve ardından su ile yıkayın. Ondandıktan sonra tamamen kurutun.
3. Gözenekli filtreyi, kancalar açıklık ile hizalanmış durumda tabana sokun. Gözenekli filtreyi, kancalar bir tık sesi ile kilitlene kadar ok yönünde çevirin. Gözenekli filtrenin sıkıca takıldığından emin olun.
► **Şek.41:** 1. Gözenekli filtre 2. Kanca 3. Açıklık

Makita Europe N.V.

Jan-Baptist Vinkstraat 2,
3070 Kortenberg, Belgium

Makita Corporation

3-11-8, Sumiyoshi-cho,
Anjo, Aichi 446-8502 Japan

www.makita.com

885A25-996
EN, FR, DE, IT, NL,
ES, PT, DA, EL, TR
20221114