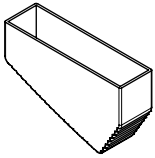

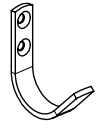

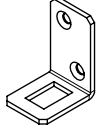

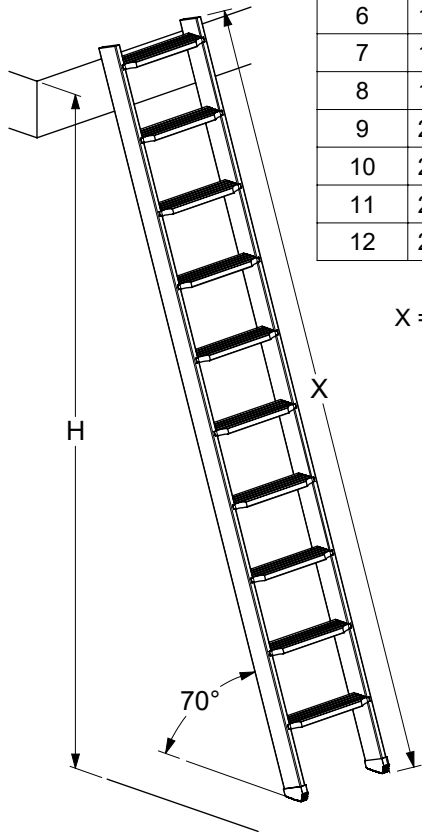


1		2		3		4		5		6	
× 2 H1-69300		× 2 K3-06013 Ø4 x 20		× 2 R1-62120		× 4 R3-73907 Ø4 x 40		× 2 R1-62060		× 4 R3-91358 Ø5 x 20	

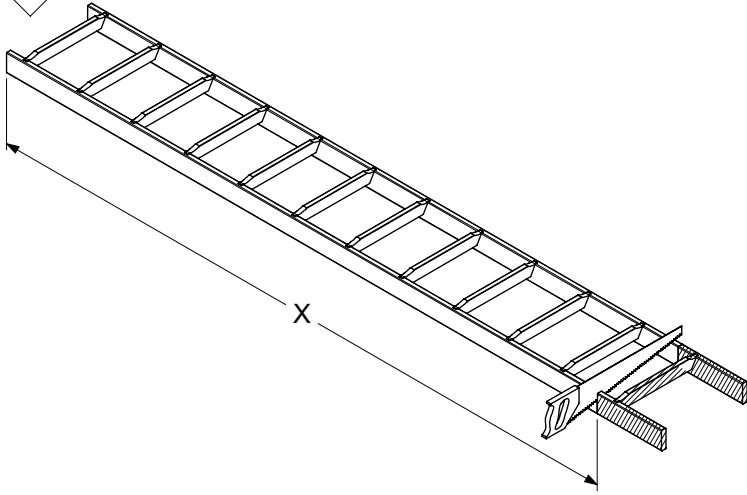
1



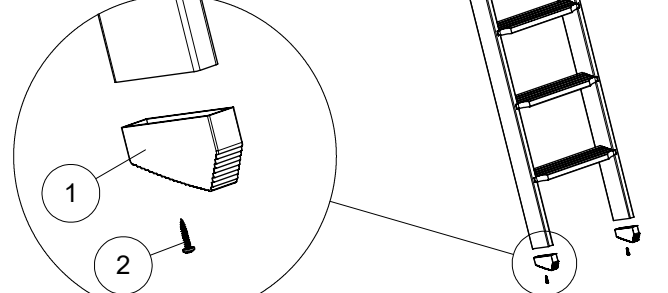
	Max H	Max X
6	1430mm	1555mm
7	1670mm	1810mm
8	1900mm	2055mm
9	2140mm	2311mm
10	2370mm	2555mm
11	2610mm	2811mm
12	2850mm	3062mm

$$X = \frac{H}{0,94} + 33\text{mm}$$

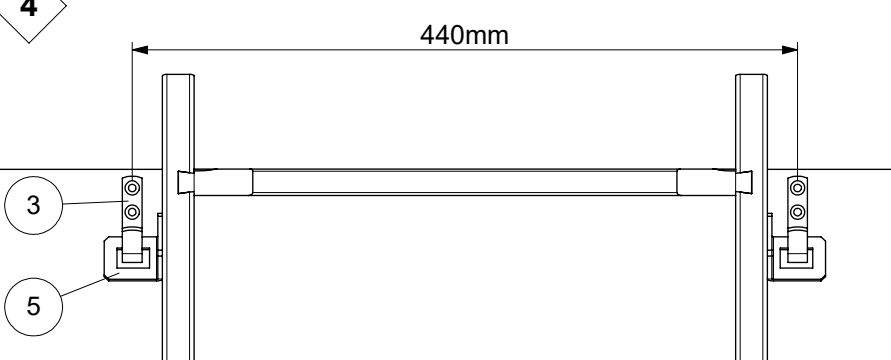
2



3



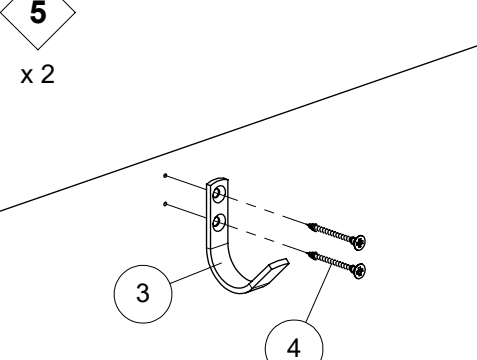
4



440mm

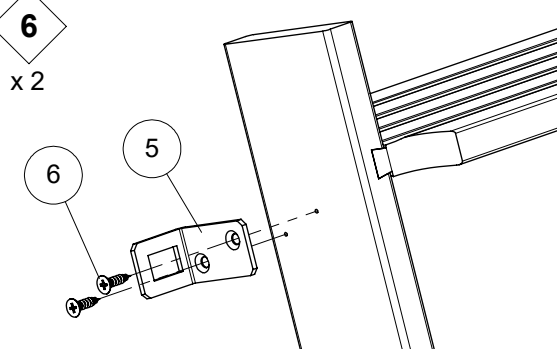
5

x 2



6

x 2



7

