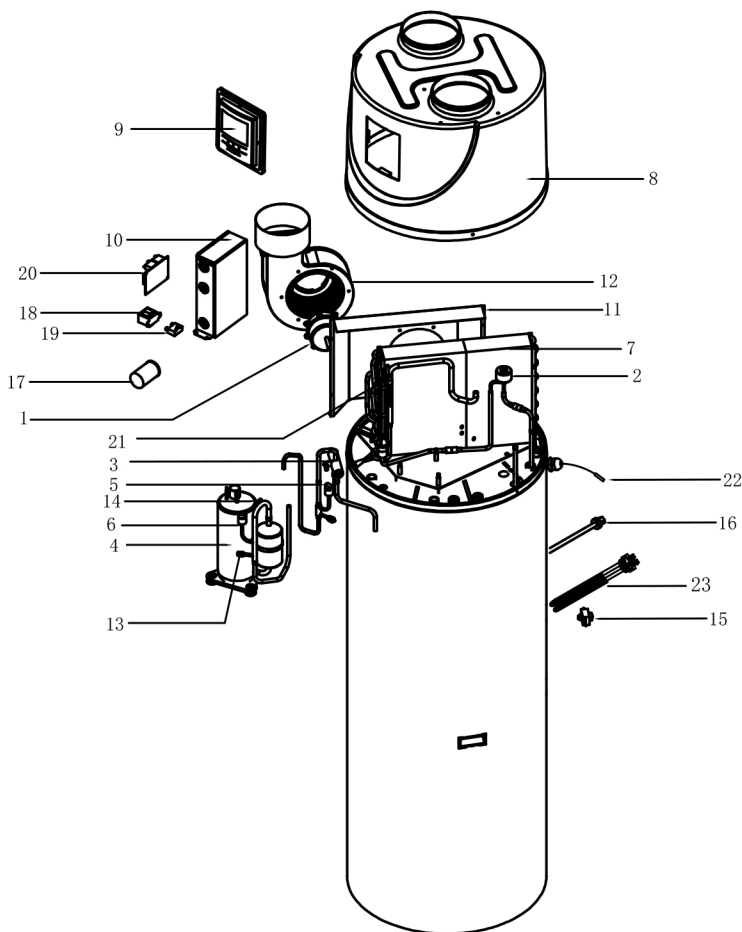


## 500L with solar



S/N	Code	Name
1	D0040085	Fan
2	C0050035	Electronic expansion valve
3	C0050004	4-way valve
4	D0020087	Compressor
5	C0080006	High pressure switch
6	C0080003	Low pressure switch
7	D0010328	Evaporator
8	B0240044	Top cover
9	G0010087	Control panel
10	A0050114	Electric control box
11	/	Fan plate
12	A0210005	Fan casing
13	C0080001	Needle valve
14	G0030153	Temperature sensor
15	G0030151	Temperature control switch
16	D0100001	Magnesium
	G0050004	Compressor capacitor
18	G0040001	Transformer
19	G0060017	Fan capacitor
20	G0010086	PCB
21	G0030152	Temperature sensor
22	G0030208	Temperature sensor
23	D0090005	Electrical heater