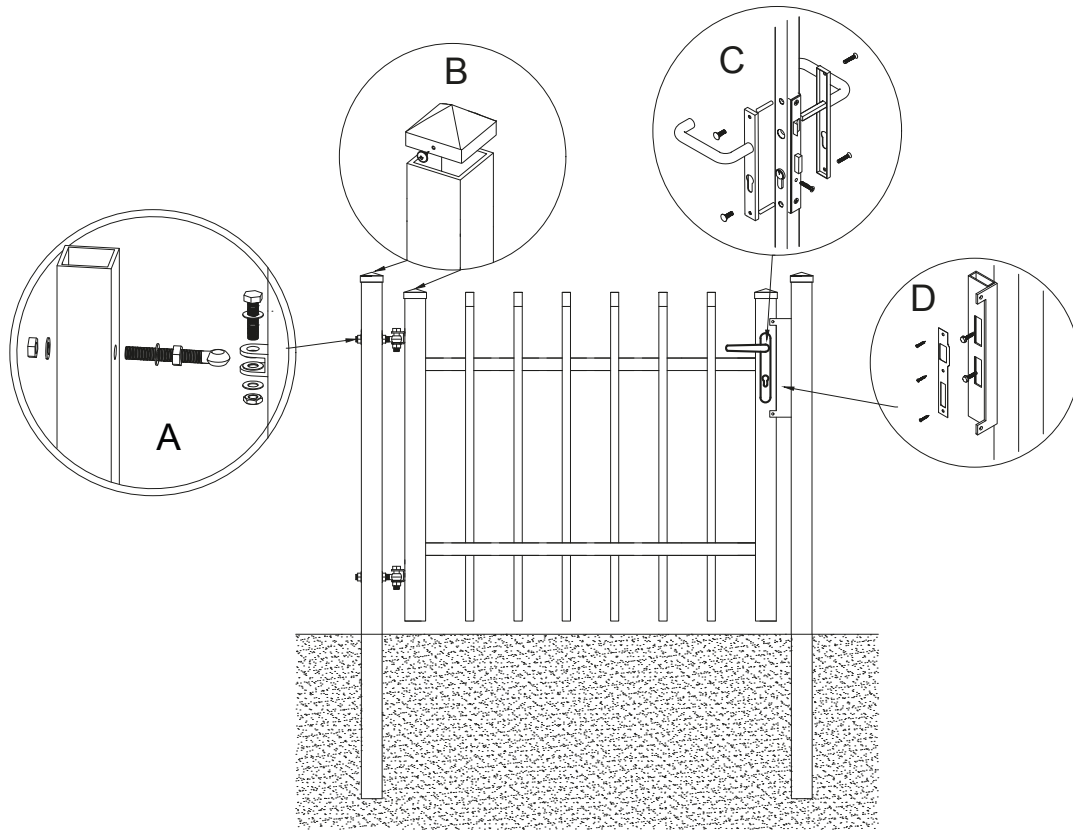
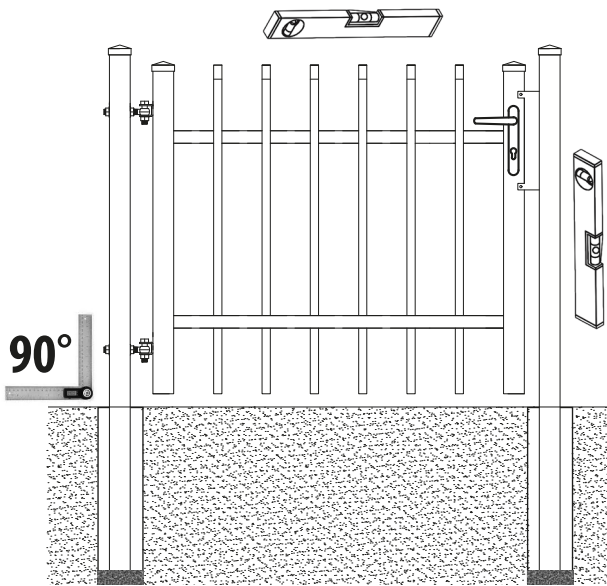


1.



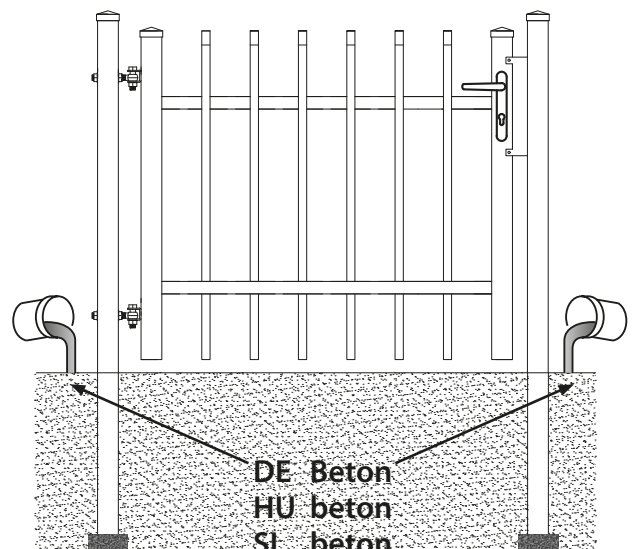
A		B		C				D	
	x2		x4		x2		x1		x2
	x2		x4		x2		x1		x1
	x12				x1		x3		x3
	x6				x1		x3		x1

2.



DE Kies  
 HU kavics  
 SL gramoz  
 CZ šterk  
 SK štrk

3.



DE Beton  
 HU beton  
 SL beton  
 CZ beton  
 SK betón