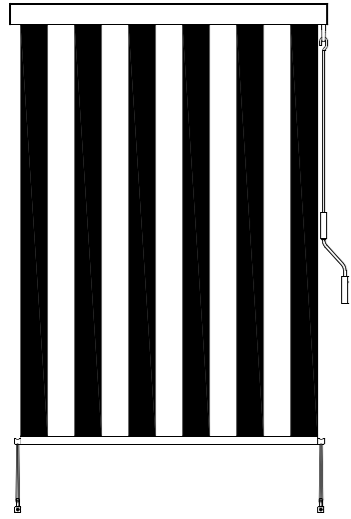
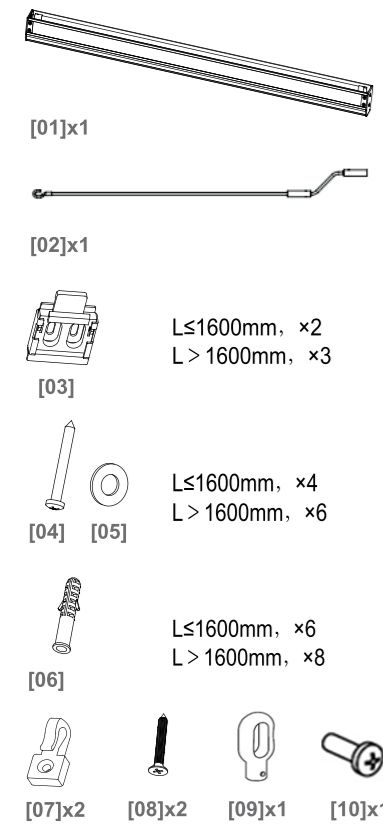


1980



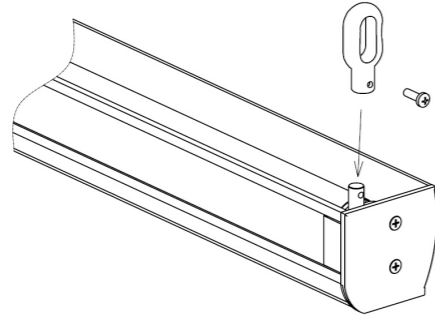
Parts list



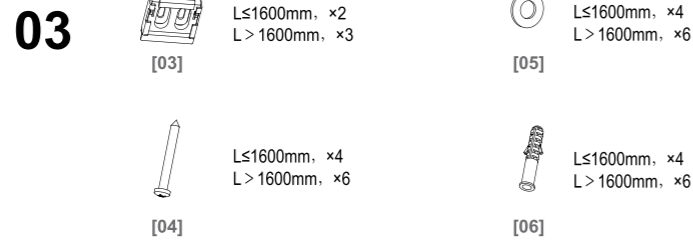
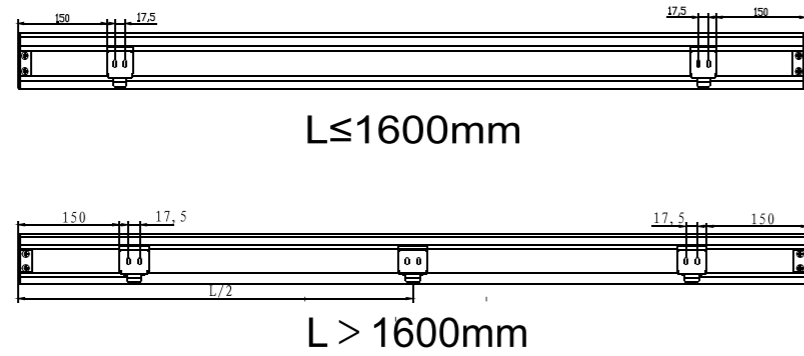
Assembly tool



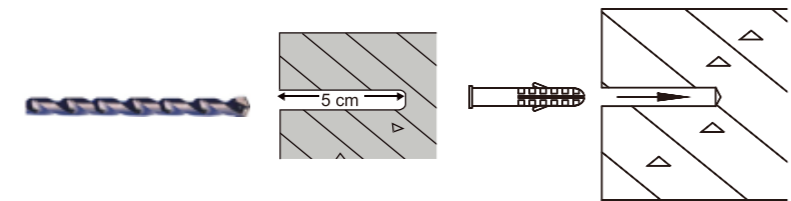
01 Install Ring



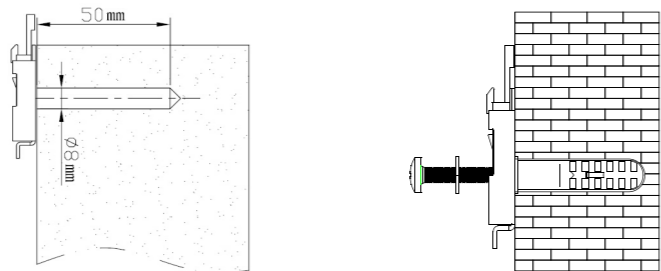
02 Determine the position of the bracket



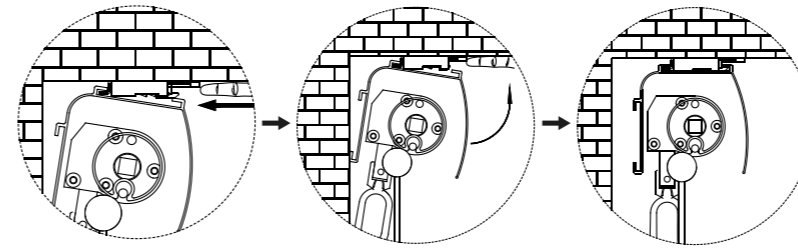
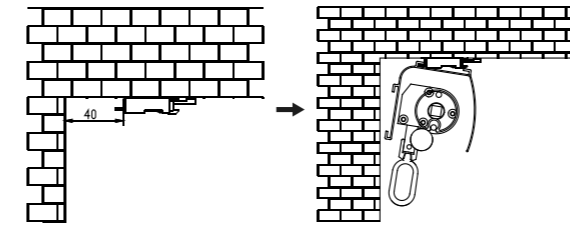
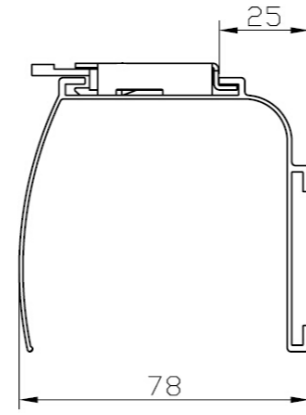
Drill four 5cm deep holes in the size as the following picture shows, Insert one  $\phi$  8x45mm.



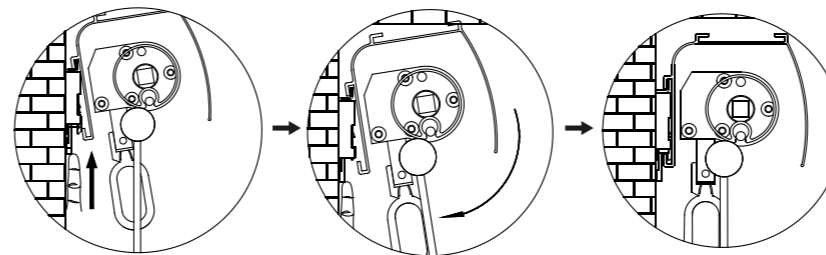
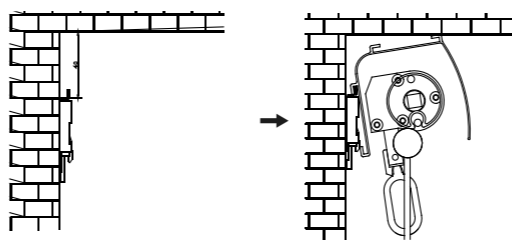
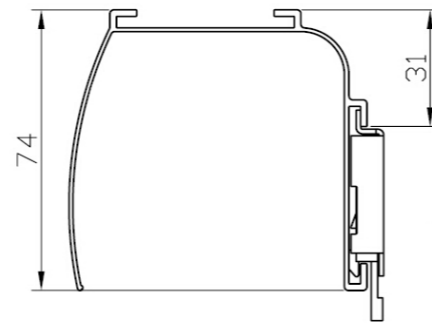
Fix the hook with ST4.8x55 cross tapping screws.



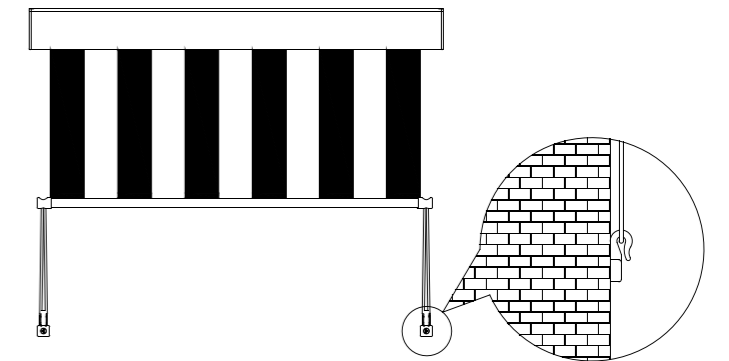
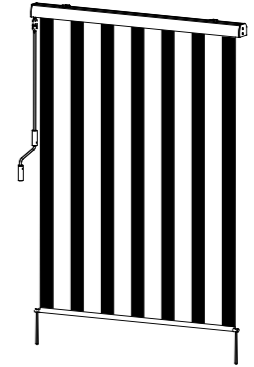
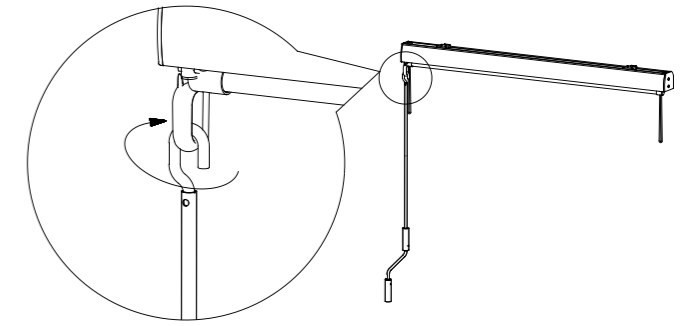
ceiling installation



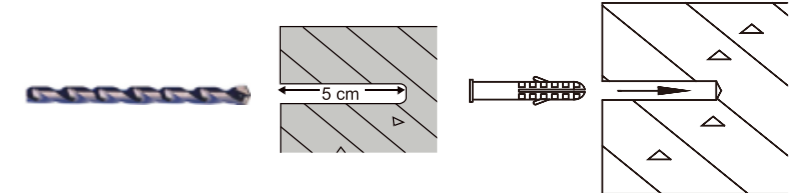
wall installation



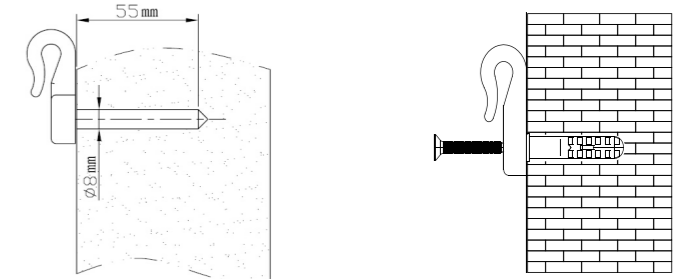
04 On /off setting Ceiling Awning



Drill four 5cm deep holes in the size as the following picture shows, Insert one  $\phi$  8x45mm.

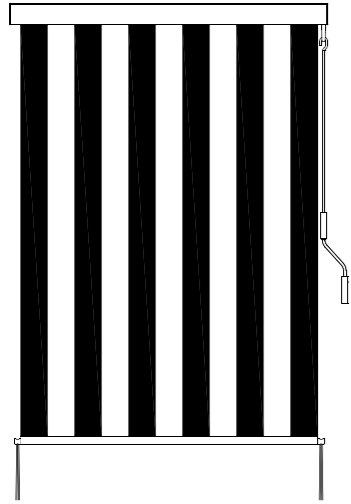


Fix the hook with ST4.8x55 cross tapping screws.



**Warning: Your shade should be rolled up during windy and rainy conditions. The Bungee System is only effective in light wind.**

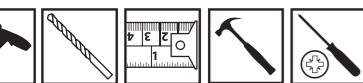
1980



Teileliste

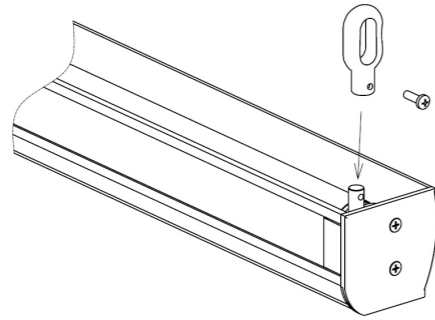
- [01]x1
- [02]x1
- [03] L≤1600mm, x2  
L > 1600mm, x3
- [04] L≤1600mm, x4  
L > 1600mm, x6
- [05] L≤1600mm, x4  
L > 1600mm, x6
- [06] L≤1600mm, x6  
L > 1600mm, x8
- [07]x2
- [08]x2
- [09]x1
- [10]x1

Montagewerkzeug



- 01 [01]x1
- [09]x1
- [10]x1

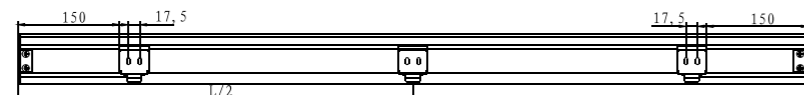
Kurbelöse



02 Festlegen der Halter Position



L ≤ 1600mm

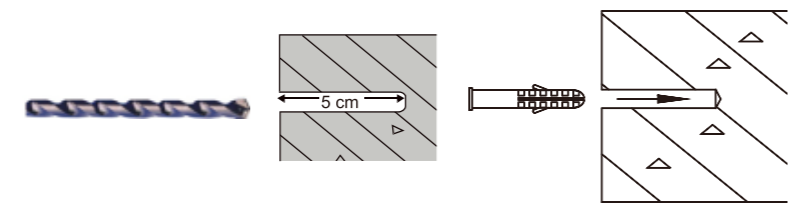


L > 1600mm

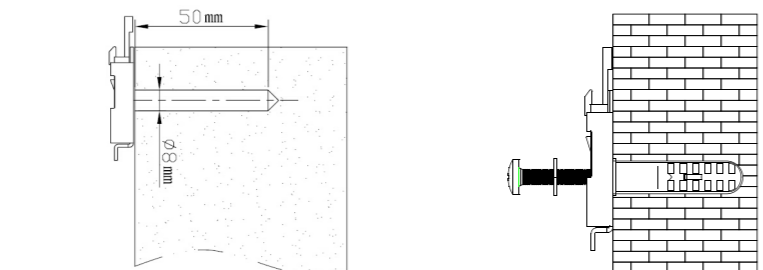
03

- [03] L≤1600mm, x2  
L > 1600mm, x3
- [04] L≤1600mm, x4  
L > 1600mm, x6
- [05] L≤1600mm, x4  
L > 1600mm, x6
- [06] L≤1600mm, x4  
L > 1600mm, x6

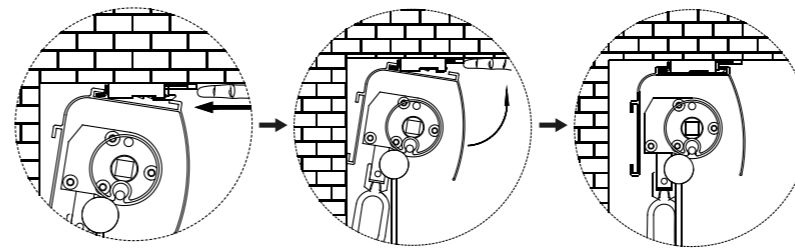
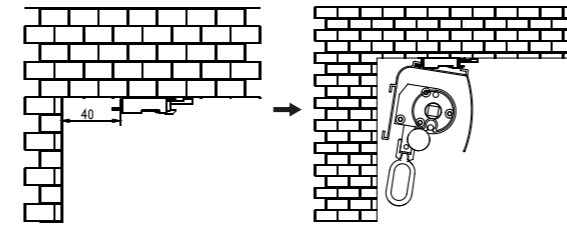
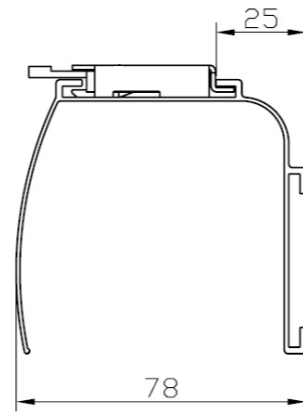
Bohren Sie die Löcher wie folgt:  
φ 8x45mm.



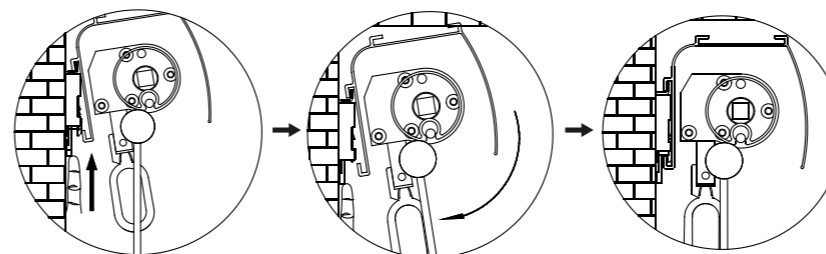
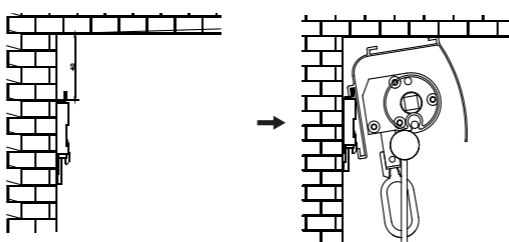
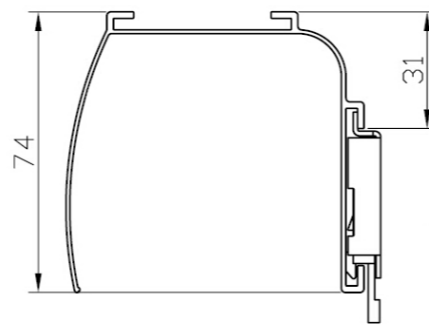
ST4.8x55.



Decken Installation

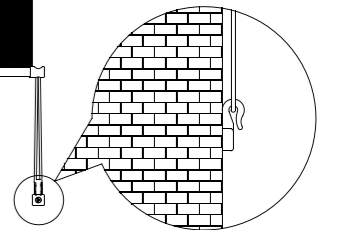
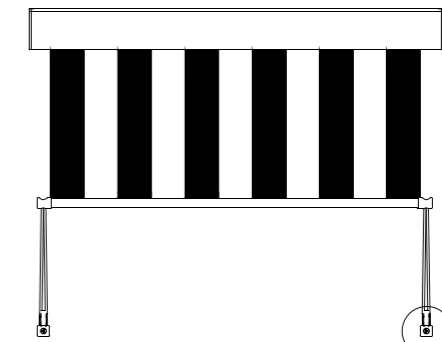
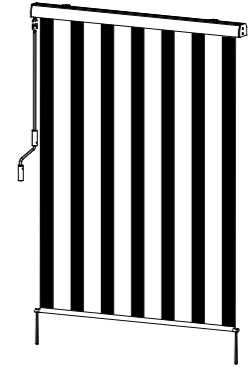
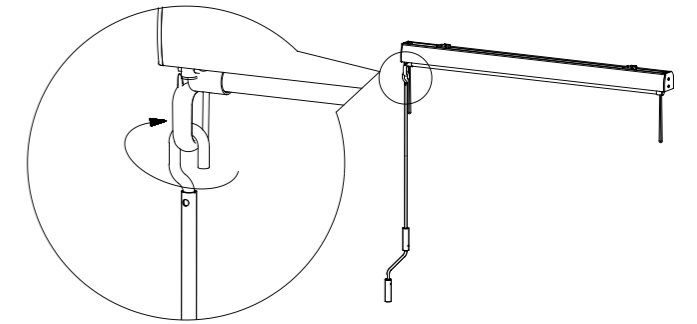


Wand Installation

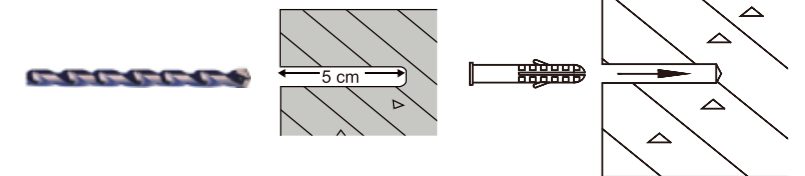


04 Ein- / Ausfahren der Markise

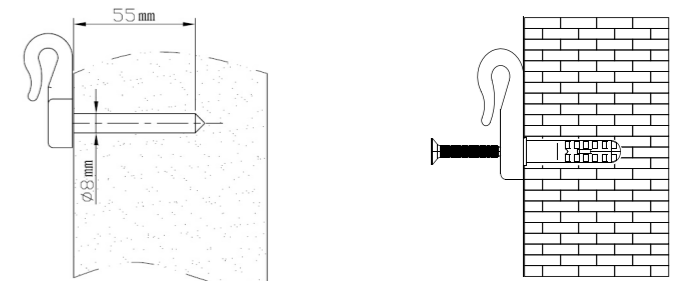
- [06]x2
- [07]x2
- [08]x2



Bohren Sie die Löcher wie folgt:  
φ 8x45mm.



ST4.8x55.



**Warnung: Bei Wind und Regen muss die Markisen eingefahren werden. Die Gummibänder halten nur bei leichtem Wind.**