



### Safety Instructions



0, 1, 2, 4, 6, 10, 11,  
15, 25



Info Hotline

+49 (0) 5041 998 389

Mon.-Do. 7<sup>00</sup>-20<sup>00</sup>

Fr. 7<sup>00</sup>-17<sup>00</sup>



Paulmann Licht GmbH  
31832 Springe / Germany  
www.paulmann.com

Art.-Nr.:

937.40

937.41

937.42

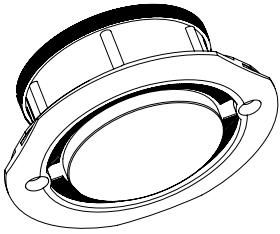
937.43

937.44


937.45

(+MA 173)  
PKE 10/11

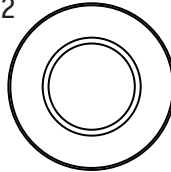
937.40  
937.41



1x

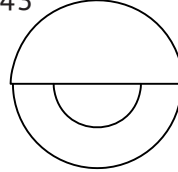
incl. 

937.42



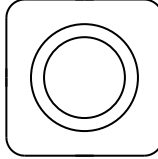
1x

937.43



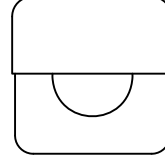
1x

937.44

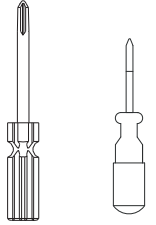


1x

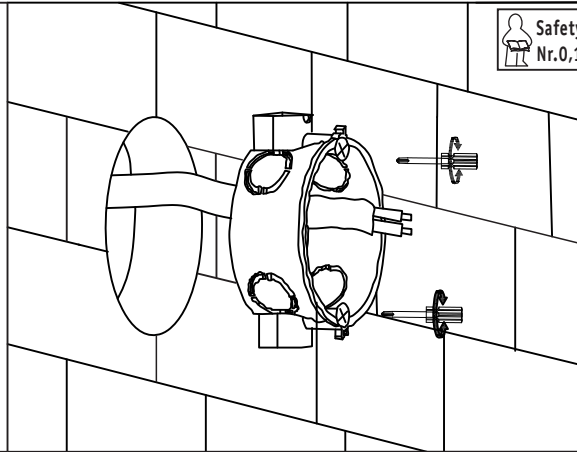
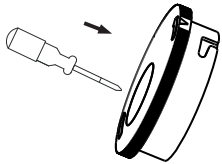
937.45



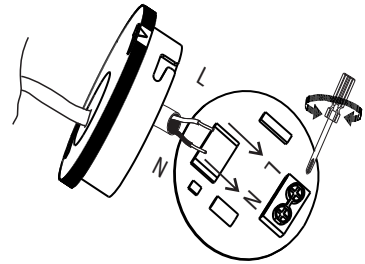
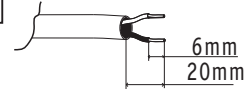
1x



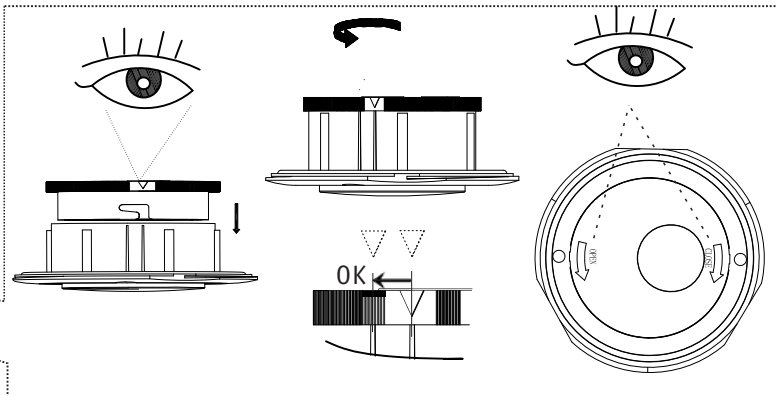
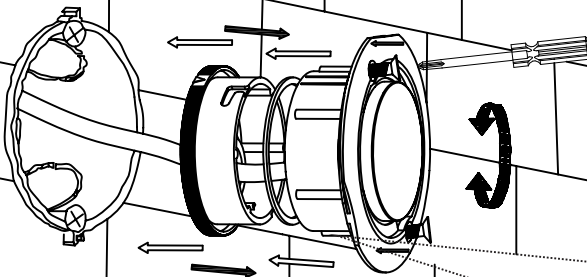
A



Safety Instructions  
Nr. 0, 1, 2, 4



B



C

