

BioPressure® II

3000/6000/10000/18000



F

Outside Living Industries France
 17, rue de la Baignerie
 59000 Lille
 ☎ 0033 - (0) 320.17.93.93
 ☎ 0033 - (0) 320.17.93.94

D A

Outside Living Industries Deutschland GmbH
 Hindenburgstraße 19,
 D-46395 Bocholt
 ☎ 0049 (0)2871-29351-0
 ☎ 0049 (0)2871-29351-29

NL

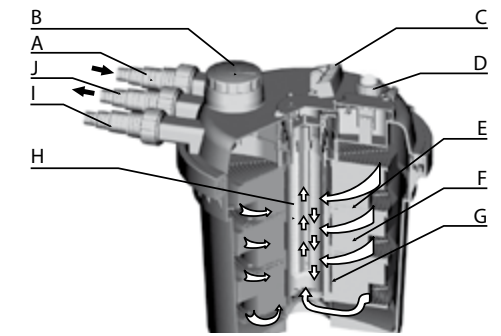
Outside Living Industries Nederland B.V.
 Berenkoog 87
 1822 BN Alkmaar
 ☎ 0031 - (0) 72 5671 604
 ☎ 0031 - (0) 72 5671 673

B

Outside Living Industries Belux BVNR
 Wondelgemkaai 10
 9000 Gent
 ☎ 0032 - (0)9254.45.45
 ☎ 0032 - (0)9254.45.40

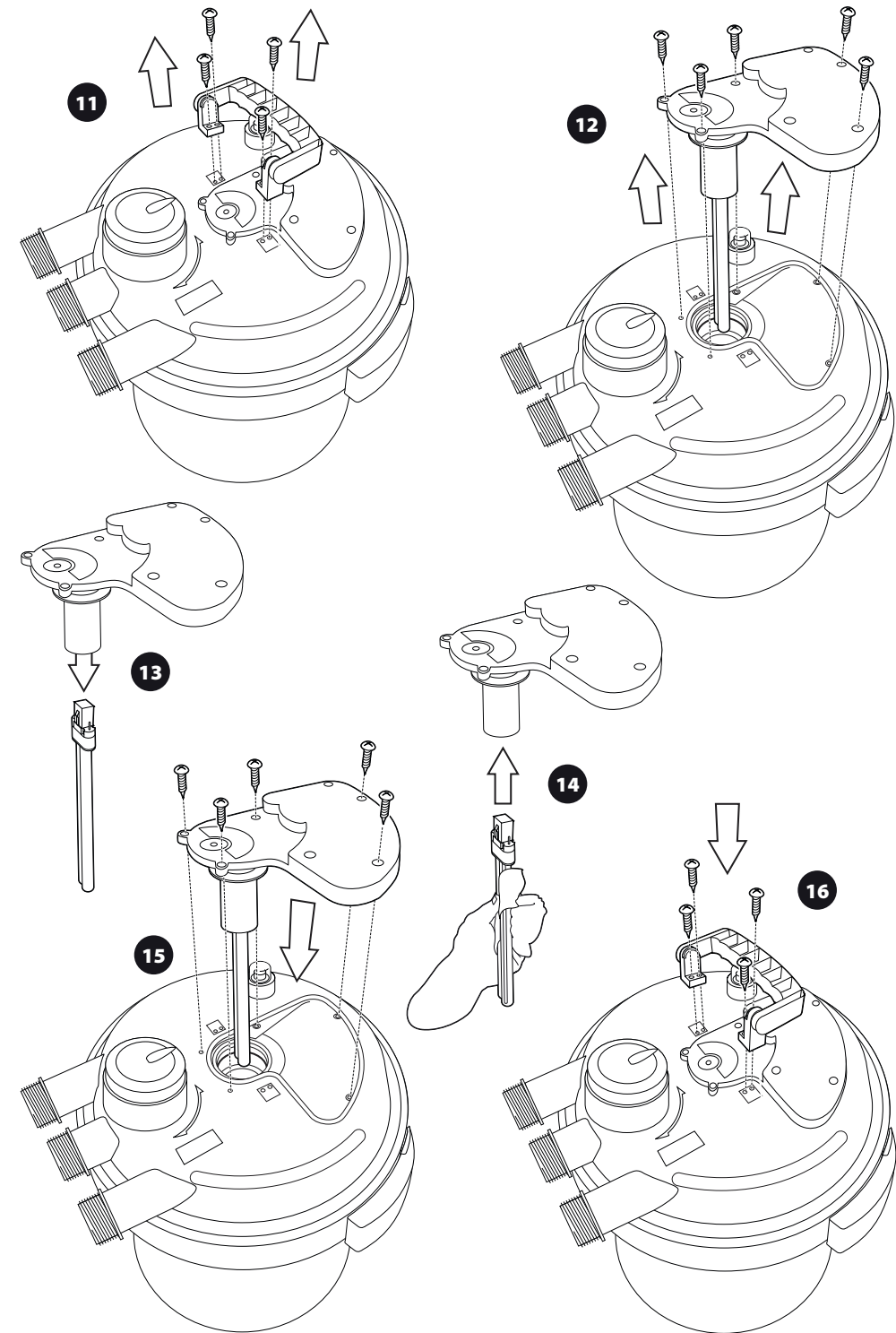
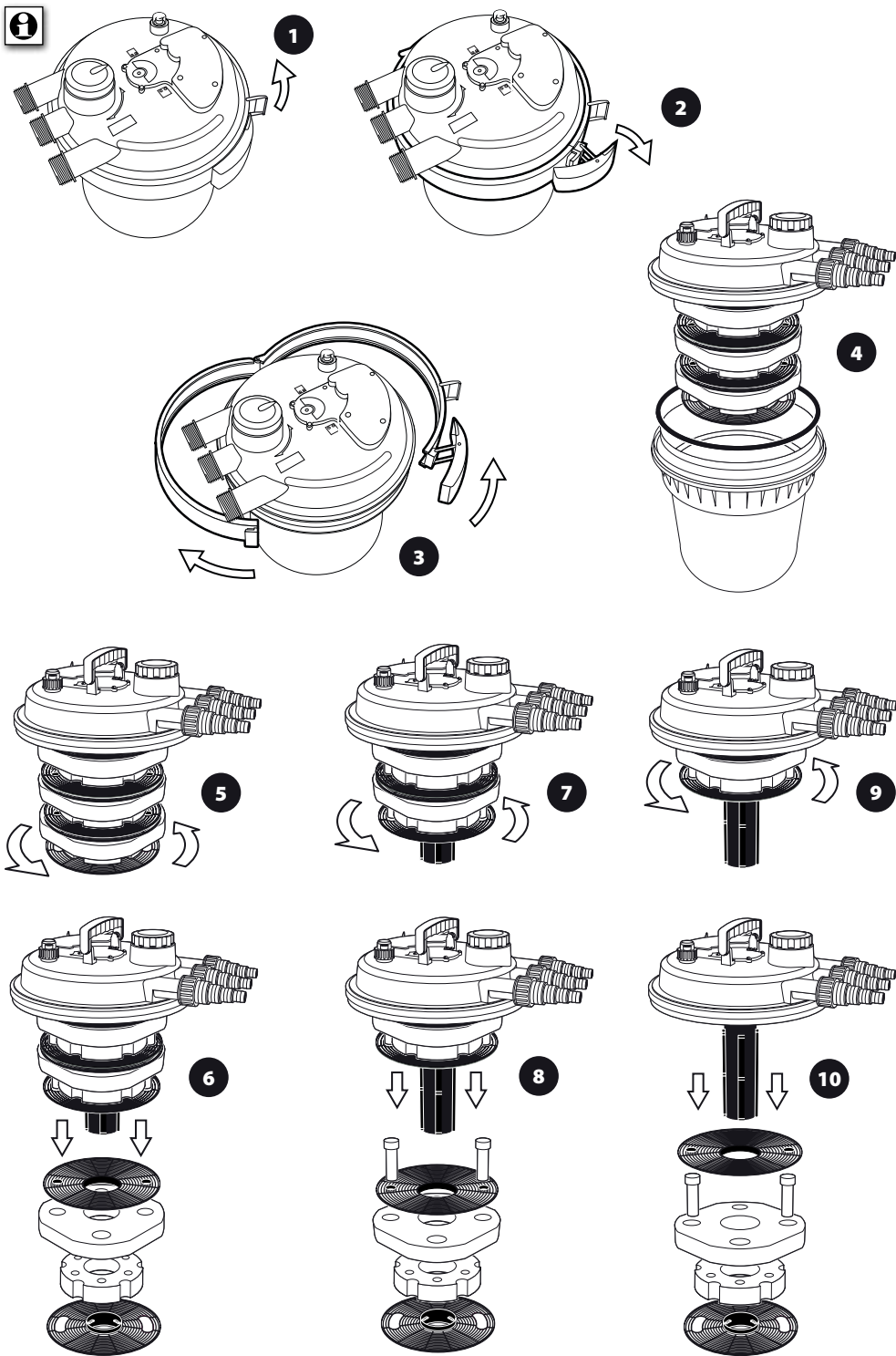


www.ubbinkgarden.com



- Ⓐ Filter inlet
- Ⓑ Function switch
- Ⓒ Carrying handle
- Ⓓ Control indicator
- Ⓔ Turbulence system
- Ⓕ Mechanical filtration
- Ⓖ Biological water clarification
- Ⓗ UV-C preliminary clarification of the pond water
- Ⓘ Contamination outlet
- Ⓝ Filter outlet (transparent nozzle)
- Ⓐ Filterinlaat
- Ⓑ Bedieningsknop
- Ⓒ Draaggreep
- Ⓓ Controlelamp
- Ⓔ Wervelsysteem
- Ⓕ Mechanische filtering
- Ⓖ Biologische waterzuivering
- Ⓗ UV-C-zuivering vooraf van vijverwater
- Ⓘ Vuilafvoer
- Ⓝ Filteruitlaat (doorzichtige aansluiting)
- Ⓐ Entrée du filtre
- Ⓑ Commutateur de fonction
- Ⓒ Poignée de transport
- Ⓓ Indicateur de contrôle
- Ⓔ Système Vortex
- Ⓕ Filtration mécanique
- Ⓖ Epuration biologique de l'eau
- Ⓗ Décantation UV-C de l'eau du bassin
- Ⓘ Evacuation des impuretés
- Ⓝ Sortie du filtre (embout transparent)
- Ⓐ Entrada del filtro
- Ⓑ Selector de función
- Ⓒ Asa de transporte
- Ⓓ Indicador de control
- Ⓔ Sistema de agitación
- Ⓕ Filtro mecánico
- Ⓖ Depuración biológica del agua
- Ⓗ Depuración UV-C previa del agua del estanque
- Ⓘ Boquilla de drenaje de la suciedad
- Ⓝ Salida del filtro (boquilla transparente)
- Ⓐ Entrada de filtro
- Ⓑ Interruptor de funciones
- Ⓒ Pega de transporte
- Ⓓ Indicação de controlo
- Ⓔ Sistema de circulação
- Ⓕ Filtragem mecânica
- Ⓖ Depuração biológica das águas
- Ⓗ Pré-depuração de C UV da água do reservatório
- Ⓘ Drenagem de sujidade
- Ⓝ Saída de filtro (bocal transparente)
- Ⓐ Entrata filtro
- Ⓑ Interruttore di funzionamento
- Ⓒ Maniglia
- Ⓓ Indicatore di controllo
- Ⓔ Sistema a turbolenza
- Ⓕ Filtraggio meccanico
- Ⓖ Depurazione dell'acqua
- Ⓗ Depurazione preliminare a UV-C dell'acqua dello stagno
- Ⓘ Scarico dello sporco
- Ⓝ Uscita filtro (boccola trasparente)
- Ⓐ Είσοδος φίλτρου
- Ⓑ Διακόπτης λειτουργίας
- Ⓒ Χειρολαβή
- Ⓓ Προειδοποίηση ελέγχου
- Ⓔ Σύστημα στρόβιλου
- Ⓕ Μηχανικό φίλτράρισμα
- Ⓖ Βιολογικό καθαρισμό νερού
- Ⓗ Πρωτοβάθμια επεξεργασία UV-C του νερού της λιμνούλας κήπου
- Ⓘ Έξοδος μύρτων
- Ⓝ Έξοδος φίλτρου (διαφανές μανίκι)
- Ⓐ Filterindgang
- Ⓑ Funktionskontakt
- Ⓒ Bærehåndtag
- Ⓓ Kontrollindikator
- Ⓔ Ophvirvlingsystem
- Ⓕ Mekanisk filtrering
- Ⓖ Biologisk vandrensning
- Ⓗ UV-C-forrensning af hoveddamsvandet
- Ⓘ Snavsaflob
- Ⓝ Filterudgang (gennemsigtig studs)
- Ⓐ Filterinlopp
- Ⓑ Funktionsomkopplare
- Ⓒ Bärhandtag
- Ⓓ Kontrollindikering
- Ⓔ Virvelsystem
- Ⓕ Mekanisk filtrering
- Ⓖ Mekanisk filtrering
- Ⓗ Biologisk vattenrensning
- Ⓘ UV-C-forhandsrensning av dammvattnet
- Ⓝ Smutsutlopp
- Ⓐ Filterinlopp (transparent hylsa)
- Ⓐ Szűrőbemenet
- Ⓑ Szűrőkapcsoló
- Ⓒ Tartófogatvány
- Ⓓ Kontrolljelző
- Ⓔ Örvényeltető rendszer
- Ⓕ Mechanikai szűrés
- Ⓖ Biológiai víziszűrés
- Ⓗ A tó vizének UV-C előtisztítása
- Ⓘ Szennyződéskiesztés
- Ⓝ Szűrőkimenet (áttesztő szövet)
- Ⓐ Filtri sisselaskeava
- Ⓑ Funktsioonilüliti
- Ⓒ Kandekäepide
- Ⓓ Märgutuli
- Ⓔ Keerissüsteem
- Ⓕ Mehaaniline filtreerimine
- Ⓖ Vee bioloogiline seilitamine
- Ⓗ Tiigivee UV-C- eelseltamine
- Ⓘ Saastuse väljalaskeava
- Ⓝ Filtri väljalaskeava (läbipaistev nippel)
- Ⓐ Wlot filtra
- Ⓑ Przełącznik funkcji
- Ⓒ Uchwyt do przenoszenia
- Ⓓ Wskaznik kontrolny
- Ⓔ System wirowy
- Ⓕ Filtracja mechaniczna
- Ⓖ Biologiczne klarowanie wody
- Ⓗ Wstępne klarowanie wody z jeziora UV-C
- Ⓘ Wypuszczanie zanieczyszczeń
- Ⓝ Wylot filtra (przezroczysta końcówka przewodu)
- Ⓐ Filtra ielplūde
- Ⓑ Funkciju slēdzis
- Ⓒ Pārnesāšanas rokturis
- Ⓓ Kontrolindikator
- Ⓔ Virpuļošanas sistēma
- Ⓕ Mehāniskā filtrācija
- Ⓖ Bioloģiskā ūdens attīrīšana
- Ⓗ UV-C ūdens sākotnējā attīrīšana
- Ⓘ Netīrumu izplūdes vieta
- Ⓝ Filtra izplūde (caurspīdīga iemava)
- Ⓐ Filterinleedimas
- Ⓑ Funkcionālās pārvērtības
- Ⓒ Rankena
- Ⓓ Kontrolinīs rodmu
- Ⓔ Spirālīnē sistema
- Ⓕ Mehāniskās filtrācijas
- Ⓖ Bioloģiskās ūdens attīrīšanas
- Ⓗ UV-C ūdens sākotnējā attīrīšana
- Ⓘ Netīrumu izplūdes vieta
- Ⓝ Filtra izplūde (caurspīdīga iemava)
- Ⓐ Filterinleedimas (permatomas antgālis)
- Ⓑ Vēlums uz filtra
- Ⓒ Funkcionālās pārvērtības
- Ⓓ Rankena
- Ⓔ Kontrolinīs rodmu
- Ⓕ Spirālīnē sistema
- Ⓖ Mehāniskās filtrācijas
- Ⓖ Bioloģiskās ūdens attīrīšanas
- Ⓗ UV-C- pēdējā attīrīšanas
- Ⓘ Netīrumu izplūdes vieta
- Ⓝ Filtra izplūde (caurspīdīga iemava)
- Ⓐ Admisie filtru
- Ⓑ Comutator functional
- Ⓒ Māner de transport
- Ⓓ Indicator de control
- Ⓔ Sistem de turbionare
- Ⓕ Filtrare mecanică
- Ⓖ Purificarea biologică a apei
- Ⓗ Prepurificarea UV-C a apei izazului
- Ⓘ Evacuare murdārie
- Ⓝ Evacuare filtru (maņon transparent)
- Ⓐ Filtre girişi
- Ⓑ Fonksiyon şalteri
- Ⓒ Tasima şapı
- Ⓓ Kontrol göstergesi
- Ⓔ Döndürme sistemi
- Ⓕ Mekanik filtreleme
- Ⓖ Biyolojik su durultma
- Ⓗ UV-C- Havuz suyu ön durulama
- Ⓘ Kirlı su boşaltma
- Ⓝ Filtre çıkışı (transparan ağız)
- Ⓐ مدخل الفلتر
- Ⓑ مقفاح وظيفي
- Ⓒ مقبض حمل
- Ⓓ بيان التحكم
- Ⓔ نظام التدوير
- Ⓕ نظام الفلتره الميكانيكي
- Ⓖ التنقية البيولوجية للمياه
- Ⓗ التنقية الأولية لمياه البرك بالاشعة فوق البنفسجية قصيرة الموجة
- Ⓘ مخرج النفايات
- Ⓝ مخرج الفلتر (بوزاب شفاف)

	500 L	1000 L	1500 L	2000 L	2500 L	3000 L	3500 L	4000 L	4500 L	5000 L	6000 L	7500 L	9000 L
	1000 L	2000 L	3000 L	4000 L	5000 L	6000 L	7000 L	8000 L	9000 L	10000 L	12000 L	15000 L	18000 L
	BioPressure® II Filter 3000		BioPressure® II Filter 6000		BioPressure® II Filter 10000		BioPressure® II Filter 18000						
	450-700 l/h	700-1200 l/h	1000-2000 l/h	1300-2600 l/h	1700-3300 l/h	2000-4000 l/h	2200-4500 l/h	4500-5000 l/h	5000-7000 l/h	7000-10000 l/h	7500-11000 l/h	8500-12000 l/h	9000-13000 l/h



Conformity Declaration

Ⓜ Declaration of Conformity
The company UBBINK GARDEN BV declares in own responsibility that the device BioPressure II meets the requirements of the EG-directives 2006/95/EG (Low voltage directive) and 2004/108/EG (Electromagnetic compatibility). The following harmonised standards have been applied:

Ⓜ Konformitätserklärung
Die Firma UBBINK GARDEN BV erklärt in eigener Verantwortung, dass das Gerät BioPressure II die Anforderungen der EG-Richtlinien 2006/95/EG (Niederspannung) und 2004/108/EG (Elektromagnetische Verträglichkeit) erfüllt. Die folgenden harmonisierten Normen wurden angewandt:

Ⓜ Conformiteitsverklaring
De firma UBBINK GARDEN BV verklaart onder eigen verantwoordelijkheid dat het apparaat BioPressure II voldoet aan de eisen van de EG-richtlijnen 2006/95/EG (laagspanning) en 2004/108/EG (elektromagnetische compatibiliteit). De volgende geharmoniseerde normen zijn toegepast:

Ⓜ Déclaration de conformité
La société soussignée UBBINK GARDEN BV certifie sous sa propre responsabilité que l'appareil BioPressure II est conforme aux exigences des directives européennes 2006/95 (directive sur les basses tensions) et 2004/108 (compatibilité électromagnétique). Les normes harmonisées suivantes ont été appliquées :

Ⓜ Declaración de conformidad
La empresa UBBINK GARDEN BV firmante declara bajo su propia responsabilidad que el aparato BioPressure II cumple los requisitos de las Directivas de la CE 2006/95/CE (Baja Tensión) y 2004/108/CE (Compatibilidad Electromagnética). Se aplicaron las siguientes normas armonizadas:

Ⓜ Declaração de Conformidade
A empresa UBBINK GARDEN BV assinou declarando por sua responsabilidade que o aparelho BioPressure II cumpre os requisitos das Diretivas CE 2006/95/CE (Baixa Tensão) e 2004/108/CE (Compatibilidade Eletromagnética). Foram aplicadas as seguintes normas harmonizadas:

Ⓜ Dichiarazione di conformità
L'azienda sottoscritta UBBINK GARDEN BV dichiara sotto la propria responsabilità che il dispositivo BioPressure II soddisfa i requisiti delle direttive CE 2006/95/CE (bassa tensione) e 2004/108/CE (compatibilità elettromagnetica). Sono state applicate le seguenti norme armonizzate:

Ⓜ Δήλωση συμβατικότητας
Η υπογράφουσα εταιρεία UBBINK GARDEN BV δηλώνει με δική της ευθύνη, ότι η συσκευή BioPressure II πληροί τις προδιαγραφές των οδηγιών ΕΚ 2006/95/ΕΚ (Χαμηλή Τάση) και 2004/108/ΕΚ (Ηλεκτρομαγνητική συμβατικότητα). Εφαρμόστηκαν τα ακόλουθα εναρμονισμένα πρότυπα:

Ⓜ Konformitetserklæring
Det undertegnede firma UBBINK GARDEN BV erklærer på eget ansvar, at BioPressure II opfylder alle krav i EF-direktiv 2006/95/EF (lavspænding) og i 2004/108/EF (elektromagnetisk kompatibilitet). Der blev anvendt følgende harmoniserede standarder:

Ⓜ Konformitetsförklaring
La empresa UBBINK GARDEN BV firmante declara bajo su propia responsabilidad que el aparato BioPressure II cumple los requisitos de las Directivas de la CE 2006/95/CE (Baja Tensión) y 2004/108/CE (Compatibilidad Electromagnética). Se aplicaron las siguientes normas armonizadas:

Ⓜ Samsvarserklæring
Undertegnet firma UBBINK GARDEN BV erklærer med enansvar at apparatet BioPressure II oppfyller kravene til de EF-direktivene 2006/95/EF (lavspenning) og 2004/108/EF (elektromagnetisk kompatibilitet). Følgende harmoniserte normer ble brukt:

Ⓜ Vaatimustenmukaisuusvakuutus
Allekirjoittanut yritys UBBINK GARDEN BV vakuuttaa yksinomaan vastuullaan, että tämä laite BioPressure II on EF-direktiivin 1006/95/EY (pieniäännitiedirektiivi) ja 2004/108/EY (sähkömagneettinen yhteensopivuus) vaatimusten mukainen. Seuraavia yhdenmukaistettuja standardeja on sovellettu:

Ⓜ Zaświadczenie zgodności
Podpisana niżej firma UBBINK GARDEN BV oświadcza na własną odpowiedzialność, że urządzenie BioPressure II spełnia wytyczne normy Unii Europejskiej 2006/95/UE (niskie napięcie) i 2004/108/UE (zgodność elektromagnetyczna). Następujące zharmonizowane normy zostały zastosowane:

Ⓜ Заявление о соответствии товара
Нижеподписавшаяся фирма UBBINK GARDEN BV заявляет под собственную ответственность о соответствии устройства BioPressure II требованиям директив ЕС 2006/95/ЕС (низкое напряжение) и 2004/108/ЕС (электромагнитная совместимость). Соответствие требованиям следующих гармонизированных стандартов:

Ⓜ Izjava o sukladnosti
Poduzeće UBBINK GARDEN BV izjavljuje pod vlastitom odgovornošću da uređaj BioPressure II ispunjava zahtjeve Evropskih direktiva 2006/95/EZ (Direktiva o niskom naponu) i 2004/108/EZ (Direktiva o elektromagnetnoj kompatibilnosti). Primijenjene su sljedeće usklađene norme:

Ⓜ Prohlášení o shodě
Niže podepsaná firma UBBINK GARDEN BV prohlašuje na výhradní zodpovědnost, že přístroj BioPressure II splňuje požadavky ES směrnice 2006/95/ES (směrnice o nízkém napětí) a 2004/108/ES (směrnice o elektromagnetické kompatibilitě). Aplikovány se následující harmonizované normy:

Ⓜ Vyhlasenie o zhode
Dolu podpísaná firma UBBINK GARDEN BV vyhlasuje na výhradnú zodpovednosť, že prístroj BioPressure II spĺňa požiadavky ES smernice 2006/95/ES (smernica o nízkom napätí) a 2004/108/ES (smernica o elektromagnetickej kompatibilite). Boli aplikované nasledujúce harmonizované normy:

Ⓜ Izjava o skladnosti
Podpisano podjetje UBBINK GARDEN BV z lastno odgovornostjo izjavlja, da naprava izdelek BioPressure II izpolnjuje zahteve Evropskih direktiv 2006/95/ES (Direktiva o nizki napetosti) in 2004/108/ES (Direktiva o elektromagnetni združljivosti). Uporabljene so bili naslednji harmonizirani standardi:

Ⓜ Megfelelősségi nyilatkozat
Az aláíró cég, az UBBINK GARDEN BV saját felelősségében kijelenti, hogy a BioPressure II készülék megfelel a 2006/95/EK (kisfeszültség) és a 2004/108/EK (elektromágneses összeférhetőség) közösségi irányelvekben megfogalmazott követelményeknek. Az alábbi harmonizált normák kerültek alkalmazásra:

Ⓜ Nöutele vastavuse kinnitus
Alla kirjutanud ettevõtte UBBINK GARDEN BV kinnitab oma ainuvastutuse, et seade BioPressure II vastab EU direktiivide 2006/95/EÜ (madalpingedirektiivi) ja 2004/108/EÜ (elektromagnetilise ühilduvuse direktiivi) nõuetele. Kohaldatakse alljärgnevalt ühtlustatud normative:

Ⓜ Konformitātes deklarācija
Apakšā parakstījusies firma UBBINK GARDEN BV ar pilnu atbildību paziņo, ka ierīce BioPressure II atbilst EU direktīvas 2006/95/EK (Zemsprieguma Direktīva) un 2004/108/EK (Elektromagnētiskās saderības Direktīva) prasībām. Tika piemēroti šādi saskaņotie standarti:

Ⓜ Atitiktības deklaracija
Žemiau pasirašiusioji įmonė „UBBINK GARDEN BV“ savo atsakomybe pareiškia, kad prietaisas „BioPressure II“ atitinka EB direktyvos 2006/95/ES (dėl žemos įtampos) ir 2004/108/ES (dėl elektromagnetinio suderinamumo) keliamus reikalavimus. Taip pat buvo taikomi toliau išvardinti darnieji standartai:

Ⓜ Декларация за съответствие
Подписаната фирма UBBINK GARDEN BV декларира на собствена отговорност, че уредът BioPressure II отговаря на изискванията на ЕО-директивите 2006/95/ЕО (ниско напрежение) и 2004/108/ЕО (електромагнитна съвместимост). Приложени са следните хармонизирани стандарти:

Ⓜ Declaratie de conformitate
Firma semnatară UBBINK GARDEN BV declară pe propria răspundere că aparatul BioPressure II îndeplinește cerințele Directivelor CE 2006/95/CE (Tensiune joasă) și 2004/108/CE (Compatibilitate electromagnetică). Următoarele norme armonizate au fost aplicate:

Ⓜ Uygunluk beyanı
Bu evrakın altını imzalayış olan UBBINK GARDEN BV firması kendi sorumluluğunda altında BioPressure II cihazının AB normları olan 2006/95/AB (Düşük akım) ve 2004/108/AB (elektro manyetik hassasiyet) normlarının şartlarını yerine getirmekte olduğunu beyan eder. Aşağıdaki uyumlu normlar kullanılmıştır:

Ⓜ بيان التوافق
الشركة الموقعة أدناه UBBINK GARDEN BV تقر على مسئوليتها الشخصية بأن الجهاز BioPressure II يفي بمتطلبات مواصفة المجموعة الأوروبية EG/2006/95 (الطاقة المنخفضة) ومواصفة EG/2004/108 (التوافقية الكهرومغناطيسية) تم تطبيق المواصفات المتوافقة التالية:

EN 60335-1:2012; EN 60335-2-109:2010; EN 62233:2008; ZEK 01.4-08/11.11
EN 55015:2013; EN 61547:2009; EN 61000-3-2:2006+A1+A2; EN 61000-3-3:2013



Dear Customer,

we congratulate you on the purchase of a product from the high-quality Ubbink BioBalance pond filter series.

With these instructions for use, you receive important information which is useful for the assembly, commissioning and maintenance of your BioPressure pressure filter. Please read these instructions for use prior to installation of the filter, and familiarise yourself with the device. It is essential that you observe the safety guidelines for correct and safe use. Please store these instructions for use carefully!

Scope of delivery

- 1 Pressure filter BioPressure II with integrated UV-C device
- 1 Universal hose nozzle 40-32-25-19mm, transparent
- 2 Universal hose nozzle 40-32-25-19mm, black
- 3 Sealing rings 1 1/2"
- 1 Threaded ring with sealing cap (glass)
- 1 Instructions for use

Technical data

BioPressure II	3000	6000	10000	18000
Article No.	1355408	1355409	1355410	1355413
Filter contents	10 Liter	10 Liter	15 Liter	25 Liter
Filter medium	Special multi-level filter mat	Special multi-level filter mat	Special multi-level filter mat	Special multi-level filter mat
Pressure load	max. 0,49 bar	max. 0,49 bar	max. 0,49 bar	max. 0,49 bar
UV-C lamp	PL-S 5 W	PL-S 9 W	PL-S 11 W	PL-L 18 W
Mains voltage /frequency	230 VAC / 50 Hz	230 VAC / 50 Hz	230 VAC / 50 Hz	230 VAC / 50 Hz
Cable length	4,5 m	4,5 m	4,5 m	4,5 m
UV-C power after approx. 5,000 hrs.	85%	85%	85%	85%
Article No. for replacement UV-C quartz glass	1358765	1358766	1358730	1358767
Article No. for UV-C replacement lamp	1355109	1355110	1355112	1355115
Max. pond content	3.000 Liter	6.000 Liter	10.000 Liter	18.000 Liter

Symbols & setting options



Water inlet from the pump to the filter



Water outlet from the filter into the pond



Water outlet in cleaning operation



"Filter operation" function switch



"Cleaning operation" function switch



Safety guidelines

WARNING: UV radiation is hazardous to the eyes and skin. The UV-C lamp may not be operated if it has been taken out of the device housing!

CAUTION: This unit contains a UV-C lamp! Inadvertent use of the device or damage to the housing can cause the leakage of hazardous UV-C radiation. Even low doses of UV-C radiation can cause damage to the eyes and skin.

- The power supply must accord with the product specifications. Do not connect the UV-C device if the power supply does not fulfil the specified regulations! You can receive further information from your local, authorised electrician.
- The power circuit for the UV-C device must be secured via a protection switch (residual current or RCD) with a rated residual current of max. 30 mA.
- Prior to each intervention (installation, maintenance, etc.), the UV-C device must be disconnected from the mains!
- The pressure filter incl. the UV-C device may not under any circumstances be put into use under water and must be installed next to the pond so that the risk of flooding is excluded.
- The installation of the pressure filter must take place at a distance of more than 2 m and the power connection at a distance of more than 3.5 m to the pond or water basin.
- It is prohibited to open the UV-C device or its associated parts if this is not expressly stipulated in these Instructions for use. This also applies for technical changes to the device.
- The UV-C device features a safety switch which automatically interrupts the power supply when the device is opened. –The mains plug and all connection points must always be kept dry. The connection cable of the UV-C device should be laid so that it is protected from damage.
- The pressure filter may not be put into operation until all components and hose connections have been installed.

Instructions for use Ubbink BioPressure II -3000/6000/10000/18000

- Ensure that the device is switched off if no water is flowing through the device.
- The pressure filter may only be operated at a water temperature of +5 °C to +35 °C.
- A UV-C device with obvious damage may not be operated!
- It is not possible to exchange the mains cable on the UV-C device. If the cable is damaged, the UV-C device must be correctly disposed of.
- The pressure filter is not suitable for use by people (including children) with reduced physical, sensory or mental capacities or with a lack of experience and knowledge unless they are supervised by a person responsible for their safety or have received instructions regarding the use of the device. Children must be monitored in order to ensure that they do not play with the device.

Use

The BioPressure II is a mechanical/biological function pressure filter with an integrated UV-C device for setting up next to the pond above and below the water level. The filtered pond water can also be pumped through the pressure filter to higher waterfalls. In order to achieve visible results with the UV-C irradiation, the pond water should be completely circulated at least once within 2 hours (pond with fishstock) or 4 hours (pond without fish stock).



Installation

CAUTION! Prior to every intervention (initial assembly, cleaning, installation and replacement of the UVC lamp etc., the power supply for the UVC device and the pump must always first be disconnected!

1. Determine the location of the BioPressure filter (observe the safety guidelines). Assembly of the filter is possible both above-ground and installed in the earth. When digging in the BioPressure filter up to the cover height, ensure that the filter is positioned horizontally and well back-filled with earth or sand.

2. Insert the large rubber sealing ring into the edge of the filter body. It is essential that you ensure that the rubber sealing ring does not twist or tilt on insertion. Only in this way can you be sure that the cover can be correctly mounted and that no water can subsequently leak out from between the two filter parts.

Tip: Moisten the rubber sealing ring with a little water and then insert it slightly elevated onto the upper edge of the filter container. Whilst pressing on the cover, the rubber sealing ring then rolls down into position.

3. Press the cover into position onto the filter housing and then lay the clamping ring over the edge of the filter housing and cover and close the filter.

4. Filter inlet (A):
Shorten the general-purpose hose nozzle (black) to suit the pond hose and screw it tight onto the filter inlet.
Shorten the pond hose to the required length, attach it to the pump and filter inlet on the hose nozzles and secure using hose clamps. Set up the pump in the pond on firm ground, free of sludge and sand. Prior to commissioning the pump, read the instructions for use and observe the safety guidelines and the specifications for minimum submersion depth. When connecting the hose nozzles, use the appropriate sealing rings.

5. Filter outlet (J):
Shorten the transparent general-purpose hose nozzle to suit the pond hose and screw it tight onto the filter outlet.
Shorten the pond hose to the required length, then attach one end of the hose onto the hose nozzle and secure with a hose clamp. Lay the other end of the hose back to the pond or to the waterfall. When connecting the hose nozzle, use the appropriate sealing ring. If the filtered water is directly conducted back into the pond, the water should flow in from a drop height of approx. 15-20 cm.

6. Contamination outlet (I):
Shorten the black general-purpose hose nozzle to suit the pond hose and screw it tight onto the contamination outlet.
Shorten the pond hose to the required length, then attach one end of the hose onto the hose nozzle and secure with a hose clamp. Lay the other end of the hose back to the point at which the contaminated water should be disposed of. When connecting the hose nozzle, use the appropriate sealing ring.

Guideline: For the duration of the filter operation, you can also close this outlet with a cap. To do this, mount the closure cap (glass) onto the contamination outlet and screw it tight using the ring. Keep the hose nozzle with hose for later "Cleaning operation".

7. Before you put the pressure filter into operation, ensure once again that all cable connections and hose connections fit correctly and that the filter with the seal is well closed. The function switch (B) must be switched to "Filter function".

8. Always first switch on the pump and check that the water flows evenly through the pressure filter and that there are no leakages on the filter and on the hose connections. Only then should the UV-C device be switched on.

9. It is important that your pressure filter runs continuously. The filter should only be completely shut down for maintenance and during the winter period. We recommend that you keep the UV-C device switched off until the bacteria have developed (6-8 weeks).

10. If the pressure filter should be shut down (maintenance and winter period), the UV-C device must always be shut down first. Only then should the pump be switched off and the water drained from the pump.

Guideline: This BioPressure pressure filter is equipped with a filter mat set, on the structures of which those contamination particles and floating matter can be deposited which, within 6-8 weeks of the filter being commissioned, can help to contribute towards the development and build-up of bacteria cultures required for both mechanical and biological filtration. Therefore, give your pressure filter the possibility to develop its filter properties fully within this time, without these being partially or completely interrupted.

Instructions for use Ubbink BioPressure II -3000/6000/10000/18000



Maintenance and cleaning

CAUTION! Prior to every intervention (initial assembly, cleaning, installation and replacement of the UVC lamp etc.), the power supply for the UVC device and the pump must first be disconnected!

Contamination drainage

The BioPressure II mainly functions maintenance-free. Dependent on the degree of contamination in the pond water, dirt deposits may however have an adverse effect on cleaning. Therefore, (depending on the degree of contamination), the dirt deposits should be rinsed out approximately every 2 weeks.

1. If the closure cap (glass) is mounted on the contamination outlet, remove it and connect the black general-purpose hose nozzle with hose.
2. Turn the function switch (B) to the position "Cleaning operation" until you hear a quiet click. The water will now flow out of the opening for the contamination outlet (I).
3. During „Cleaning operation“, it is possible to press the function switch (B) downwards to squeeze out the filter sponge slightly, without having to take it out of the device. Do this carefully! Excessively fast or forceful pressure can break the inner plastic ring.
5. When the water running out of the filter is almost clear, turn the function switch back to the "Filter operation" position.
6. Now you can re-mount the closure cap (glass) on the contamination outlet.

Note: Please do not completely wash out/rinse out the filter. Established bacteria cultures would then be partially or completely destroyed, which would have an adverse effect on the cleaning performance until they have re-established themselves.

Cleaning the filter sponges

If, in spite of contamination drainage, the pressure in the filter continues to increase, the filter sponges must be washed out. To help you, please observe the control indicator (D) on the top of the cover.

Normal pressure	Orange-coloured ring is at the bottom/not visible.
Pressure increased	Orange-coloured ring covers the green cylinder = Cleaning required

1. Always first switch off the integrated UV-C device and then the pump
2. Remove all the hose connections on the filter
3. Open and remove the locking bar of the filter (see Figs. 1, 2, 3)
4. Lift off the cover and place on a clean surface with the top side up (see Fig. 4).
5. Remove the top filter layer by first pressing down on the plastic ring slightly and then turning it slightly until it moves upwards easily. Now pull off the first layer of the filter sponge and remove the other filter layers, filter sponges and pipes in the same way (see Figs. 5, 6, 7, 8, 9, 10).
6. Squeeze out and wash out the filter sponges well with tap water.
7. Rinse out the filter body and cover with a garden hose.
8. Insert the filter sponges, filter layers and pipes in the opposite sequence again. Start with the large blue filter sponge, then alternate between yellow and blue.
9. Observe the recesses in the plastic rings and filter sponges so that the filter sponges lie closely against each other. Leaving intermediate spaces or tilting will make assembly far more difficult.
10. Press the cover into position on the filter housing and then close the clamping ring over the edge of the filter housing and cover and close the filter (see installation).

Replacing the UV-C lamp

The UV-C device integrated in the BioPressure filter is equipped with a UV-C lamp with a lifetime of approx. 8,000 operating hours. After this time, the UV-C power is reduced so much that the UV-C lamp will have to be replaced. The required UV-C replacement bulb can be obtained from your Ubbink specialist trader. Only use a UV-C lamp which accords in designation and power with the information stated on the type plate.

Replace the UV-C lamp as follows:

1. Unscrew the handle and then unscrew the screws from the UV-C cover which is fixed on the filter (see Fig. 11)
2. Remove the UV-C cover, carefully pull the UV-C lamp out of the socket and then carefully insert the UV-C replacement lamp (see Figs. 12, 13, 14)
3. Reapply the UV-C cover and screw this and the handle tight (see Fig. 15, 16).

Caution: Do not touch the UV-C lamp with your bare hands!! This may damage the lamp.

Cleaning / replacing the UV-C quartz glass

The UV-C quartz glass should be cleaned at least two to three times per year of contamination and limescale, depending on the algae growth in the pond and the degree of contamination of the pond water.

1. Always first switch off the integrated UV-C device and then the pump.
2. To make the maintenance work easier, we recommend that you completely empty the filter.
3. Remove the UV-C cover, as described under Replacing the UV-C lamp.
4. Remove the UV-C lamp, and then carefully pull the UV-C quartz glass out of the housing. This is plugged in, and can simply be pulled out. A rubber ring prevents slipping.
5. Clean the UV-C quartz glass with tapwater and a soft cleaning cloth.
Caution! Avoid scratching the quartz glass and if possible do not contact the glass bulb directly with your hands. Due to the UV-C radiation, perspiration and grease burn into the glass bulb and can cause a reduction in the performance of the UV-C device.
6. Rinse out the plastic housing in which the UV-C quartz glass is contained with water and dry the housing prior to assembly.
7. Carefully dry off the UV-C quartz glass before replacing it.
8. Replace the UV-C lamp and close the UV-C section again by following the instructions for opening backwards.
9. Then always switch on the pump first before switching on the UV-C device.

Storage/winter storage

When the first frosts come, the pressure filter must be dismantled and kept somewhere free of frost. Previously, however, it should be thoroughly cleaned and the device tested for damage.



Problems and solutions:

Problem	Possible cause	Solution
After 6 to 8 weeks, no positive filter results have been established	The filter does not run 24 hours per day, for example it is switched off at night	Run filter permanently
	The filter mediums were cleaned within the last 6-8 weeks	Run filter in first 6-8 weeks without cleaning it
	The pond water is excessively dirty	Change water, remove algae
	The water values are not OK, e.g. excessively high pH value	Test water values regularly and correct as required
	The pond water oxygen content is too low	Use of ventilation pump to balance out oxygen losses
	There are too many living creatures in the pond	Guideline: max. 50-70 cm fish (total length) per 1,000 litres pond volume
	The filter or the UV-C quartz glass is contaminated	Clean the respective parts
No water exchange through inputs/outputs	Switch set to "Clean"	Set switch to "Filter"
	Inlet clogged up	Clean



Guarantee

We grant a guarantee of 3 years against material and manufacturer faults on the Ubbink BioPressure-Filter that applies of from the date of purchase: The original sales receipt has to be presented as proof of purchase if claims are made on the guarantee.

Additionally, we will grant a 12 month clean water guarantee for clean and healthy water on the Ubbink BioPressure-Filter. This guarantee is valid for 12 months from the date of purchase on condition that there is no success in detecting fouled water when filtering the pond water, especially with the decomposition of floating algae 6 weeks after the BioPressure-Filter has been initiated. For any claims made on the clear water guarantee, Ubbink presupposes that the operating instructions have been observed and that a suitable system (BioPressure-Filter and recommended pump) have been selected for the chosen pond.

Parts that are excluded from the guarantee:

- Breakage of glass or faulty UV-C bulbs and / or quartz glass of the UV-C device
- Complaints that are caused by faults through mounting and user faults, lack of care, influence of frost, improper repair service, results of violence, third party negligence, overstressing, mechanical damages or through the exposure of foreign bodies as well as through worn parts because of wear.



Clear water guarantee

Our pressure filter BioPressure II is equipped with a high-quality 11 Watt UV-C device, a special filter system and an integrated contamination outlet. This makes it possible for us to guarantee a clear water guarantee for clean and healthy water!

This guarantee is valid for 12 months from the date of purchase.

To claim on the clear water guarantee, the following prerequisites must have been fulfilled:

- The BioPressure instructions for use must have been observed and the appropriate system (filter and recommended pump) must have been selected for the pond to be filtered.
- If, from the sixth week after commissioning, it can be verified that no success in the filtration of the pond water has been achieved, in particular in the reduction of floating algae (green water).

In case any problems arise, please contact your specialist trader.



Environmental Protection

Waste electrical products should not be disposed of with household waste. Please recycle where facilities exist. Check with your Local Authority or retailer for recycling advice.



Sehr geehrter Kunde,

wir beglückwünschen Sie zum Kauf eines Produktes aus der hochwertigen Ubbink BioBalance Teichfilterserie. Mit der Gebrauchsanweisung erhalten Sie wichtige Informationen, die hilfreich für die Montage, Inbetriebnahme und Pflege Ihres BioPressure-Druckfilters sind. Bitte lesen Sie diese Gebrauchsanweisung vor der Installation des Filters sorgfältig durch und machen Sie sich mit dem Gerät vertraut. Beachten Sie unbedingt die Sicherheitshinweise für den richtigen und sicheren Gebrauch. Bitte bewahren Sie diese Gebrauchsanleitung sorgfältig auf!

Lieferumfang

- 1 Druckfilter BioPressure II -3000/6000/10000/18000 mit integriertem UV-C-Gerät
- 1 Universalschlauchtülle 40-32-25-19mm, transparent
- 2 Universalschlauchtülle 40-32-25-19mm, schwarz
- 3 Dichtungsringe 1 1/2"
- 1 Schraubring mit Verschlusskappe (Glas)
- 1 Gebrauchsanleitung

Technische Daten

BioPressure II	3000	6000	10000	18000
Artikel-Nr.	1355408	1355409	1355410	1355413
Filterinhalt	10 Liter	10 Liter	15 Liter	25 Liter
Filtermedium	Spezial-Etagenfiltermatte	Spezial-Etagenfiltermatte	Spezial-Etagenfiltermatte	Spezial-Etagenfiltermatte
Druckbelastung	max. 0,49 bar	max. 0,49 bar	max. 0,49 bar	max. 0,49 bar
UV-C-Strahler	PL-S 5 W	PL-S 9 W	PL-S 11 W	PL-L 18 W
Netzspannung /Frequenz	230 VAC / 50 Hz	230 VAC / 50 Hz	230 VAC / 50 Hz	230 VAC / 50 Hz
Kabellänge	4,5 m	4,5 m	4,5 m	4,5 m
UV-C-Leistung nach ca. 5.000 Std.	85%	85%	85%	85%
Artikel-Nr. für Ersatz-UV-C-Quarzglas	1358765	1358766	1358730	1358767
Artikel-Nr. für UV-C-Ersatzleuchte	1355109	1355110	1355112	1355115
Max. Teichinhalt	3.000 Liter	6.000 Liter	10.000 Liter	18.000 Liter

Symbole & Einstellungsmöglichkeiten



Wassereinlass von der Pumpe zum Filter



Wasserauslass vom Filter in den Teich



Wasserauslass im Reinigungsbetrieb



Funktionsschalter „Filterbetrieb“



Funktionsschalter „Reinigungsbetrieb“



Sicherheitshinweise

WARNUNG: UV Strahlen sind gefährlich für Augen und Haut. Der UV-C-Strahler darf nicht betrieben werden, wenn er aus dem Gerätegehäuse genommen wurde!

ACHTUNG: dieses Gerät enthält einen UV-C-Strahler! Unbeabsichtigter Gebrauch des Gerätes oder Beschädigung des Gehäuses kann den Austritt gefährlicher UV-C-Strahlung zur Folge haben. UV-C-Strahlung kann den Augen und der Haut auch in geringer Dosierung Schaden zufügen.

- Die Stromversorgung muss den Produktspezifikationen entsprechen. Schließen Sie das UV-C-Gerät nicht an, wenn die Stromversorgung die spezifizierten Vorschriften nicht erfüllt! Weitere Informationen können Sie von Ihrem lokalen, anerkannten Elektroinstallateur erhalten.
- Der Stromkreis für das UV-C-Gerät muss über eine Fehlerstrom-Schutzeinrichtung (FI bzw. RCD) mit einem Bemessungs-Fehlerstrom von max. 30 mA abgesichert sein.
- Vor jedem Eingriff (Installation, Wartung, etc.) ist das UV-C-Gerät vom Netz zu trennen!
- Der Druckfilter incl. UV-C-Gerät darf unter keinen Umständen unter Wasser in Gebrauch genommen werden und muss so neben dem Teich installiert werden, dass ein Überfluten ausgeschlossen ist.
- Die Installation des Druckfilters muss in einem Abstand von mehr als 2 m und der Stromanschluss in einem Abstand von mehr als 3,5 m zum Teich bzw. Wasserbecken erfolgen.
- Es ist nicht gestattet das UVC-Gerät oder dazugehörige Teile zu öffnen, wenn nicht ausdrücklich in dieser Gebrauchsanweisung darauf hingewiesen wird. Das gilt auch für technische Änderungen am Gerät.
- Das UV-C-Gerät hat einen Funktionsschalter, der beim Öffnen des Gerätes die Stromzufuhr automatisch unterbricht.
- Der Netzstecker und alle Anschlussstellen sind immer trocken zu halten. Das Anschlusskabel des UV-C-Gerätes sollte geschützt verlegt werden, um eventuelle Beschädigungen zu vermeiden.

► Gebrauchsanweisung Ubbink BioPressure II -3000/6000/10000/18000

- Der Druckfilter darf erst nach Installation aller Komponenten und Schlauchanschlüsse in Betrieb genommen werden.
- Stellen Sie sicher, dass das Gerät abgeschaltet ist, wenn kein Wasser durch das Gerät strömt.
- Der Druckfilter darf nur bei einer Wassertemperatur von +5 °C bis +35 °C betrieben werden.
- Ein UV-C-Gerät mit offensichtlichen Beschädigungen darf nicht betrieben werden!
- Ein Austausch des Netzkabels am UV-C-Gerät ist nicht möglich. Wenn das Kabel beschädigt wird, muss das UV-C-Gerät sachgerecht entsorgt werden.
- Der Druckfilter ist nicht zur Benutzung durch Personen (einschließlich Kinder) mit verringerten physischen, sensorischen oder geistigen Fähigkeiten oder Mangel an Erfahrung und Kenntnissen geeignet, es sei denn, diese wurden von einer für ihre Sicherheit verantwortlichen Person überwacht oder erhielten Anweisungen bezüglich der Verwendung des Gerätes. Kinder sind zu überwachen um sicherzustellen, dass sie nicht mit dem Gerät spielen.

Verwendung

BioPressure II ist ein mechanisch/biologisch arbeitender Druckfilter mit integriertem UV-C-Gerät zum Aufstellen neben dem Teich ober- und unterhalb des Wasserspiegels. Das gefilterte Teichwasser kann durch den Druckfilter auch zu höher liegenden Wasserfällen gepumpt werden. Um sichtbare Erfolge bei der UV-C-Bestrahlung zu erzielen, sollte das Teichwasser innerhalb von 2 Stunden (Teich mit Fischbesatz) oder 4 Stunden (Teich ohne Fischbesatz) mindestens einmal komplett umgewälzt werden.



Installation

ACHTUNG! Vor jedem Eingriff (Erstmontage, Reinigung, Einbau und Wechsel der UVC-Lampe, etc.) muss immer erst die Stromzufuhr des UVC-Gerätes und der Pumpe unterbrochen werden!

1. Bestimmen Sie den Standort des BioPressure-Filter (Sicherheitshinweise beachten). Eine Montage des Filters ist sowohl überirdisch als auch eingebaut im Erdreich möglich. Beim Eingraben des BioPressure-Filter bis zur Deckelhöhe ist darauf zu achten, dass der Filter waagrecht steht und mit Erde bzw. Sand gut hinterfüllt wird.

2. Den großen Gummi-Dichtring in den Filtertopf einlegen. Dabei unbedingt darauf achten, dass der Gummi-Dichtring sich beim Einlegen nicht verdreht oder verkantet. Nur so können Sie sicher sein, dass der Deckel korrekt aufgesetzt werden kann und später kein Wasser zwischen den beiden Filterteilen austritt.

Tipp: Feuchten Sie den Gummi-Dichtring mit etwas Wasser an und legen Sie ihn dann etwas erhöht am oberen Rand des Filterbehälters ein. Während Sie den Deckel aufdrücken rollt sich dann der Gummi-Dichtring nach unten in Position.

3. Den Deckel auf das Filtergehäuse in Position drücken und anschließend den Spannring über den Rand von Filtergehäuse und Deckel legen und den Filter verschließen.

4. Filtereinlass (A):
die Universal-Schlauchtülle (schwarz) passend für den Teichschlauch kürzen und am Filtereinlass festschrauben.
Den Teichschlauch auf die benötigte Länge kürzen, an der Pumpe und Filtereinlass auf die Schlauchtüllen stecken und mit Schlauchklammern sichern. Die Pumpe im Teich auf festen Grund aufstellen, frei von Schlamm und Sand. Vor Inbetriebnahme der Pumpe die Gebrauchsanleitung lesen und die Sicherheitshinweise sowie Vorgaben zur Mindesteintauchtiefe beachten. Beim Anschluss der Schlauchtüllen die entsprechenden Dichtungsringe verwenden.

5. Filterauslass (J):
die transparente Universal-Schlauchtülle passend für den Teichschlauch kürzen und am Filterauslass festschrauben.
Den Teichschlauch auf die benötigte Länge kürzen, dann ein Schlauchende auf die Schlauchtülle stecken mit einer Schlauchklemme sichern. Das andere Schlauchende zurück zum Teich bzw. bis zum Wasserfall verlegen. Beim Anschließen der Schlauchtülle den entsprechenden Dichtungsring verwenden. Wird das gefilterte Wasser direkt zum Teich zurückgeleitet, sollte das Wasser aus einer Fallhöhe von ca. 15-20 cm in den Teich einfließen.

6. Schmutzablass (I):
die schwarze Universal-Schlauchtülle passend für den Teichschlauch kürzen und am Schmutzablass festschrauben. Den Teichschlauch auf die benötigte Länge kürzen, ein Schlauchende auf die Schlauchtülle aufstecken und mit einer Schlauchklemme sichern. Das andere Schlauchende zu der Stelle verlegen, an der das Schmutzwasser entsorgt werden soll. Beim Anschluss der Schlauchtülle den entsprechenden Dichtungsring verwenden.

Hinweis:Für die Dauer des Filterbetriebes können Sie diesen Auslass auch mit einer Kappe verschließen. Dafür die Verschlusskappe (Glas) am Schmutzablass aufsetzen und mit dem Ring festschrauben. Die Schlauchtülle mit Schlauch für den späteren „Reinigungsbetrieb“ aufheben.

7. Bevor Sie Ihren Druckfilter in Betrieb nehmen, stellen Sie noch einmal sicher, dass alle Kabelverbindungen und Schlauchanschlüsse korrekt sitzen und der Filter mit Dichtung gut verschlossen ist. Der Funktionsschalter (B) muss auf „Filterfunktion“ geschaltet sein.

8. Immer zuerst die Pumpe einschalten und kontrollieren, dass das Wasser den Druckfilter gleichmäßig durchläuft und es am Filter und den Schlauchverbindungen keine undichte Stellen gibt. Erst danach das UV-C-Gerät einschalten.

9. Es ist wichtig, dass Ihr Druckfilter ununterbrochen in Betrieb ist. Lediglich für die Wartung und während der Winterperiode sollte der Filter komplett abgeschaltet werden. Für die Dauer der Bakterienentwicklung (6-8 Wochen) empfehlen wir, das UV-C-Gerät noch ausgeschaltet zu lassen

10. Soll der Druckfilter außer Betrieb genommen werden (Wartung und Winterperiode), muss immer zuerst das UV-C-Gerät abgeschaltet werden. Erst danach die Pumpe abschalten und das Wasser aus dem Filter ablassen.

Hinweis: dieser BioPressure-Druckfilter ist mit einem Filtermatten-Set ausgestattet, auf deren Strukturen sich solche Schmutzpartikel und Schwebstoffe absetzen können, die mit dazu beitragen, dass sich innerhalb von ca. 6-8 Wochen nach Inbetriebnahme des Filters die Bakterienkulturen entwickeln und aufbauen, die für sowohl die mechanische als auch biologische Filterung notwendig sind. Geben Sie deshalb Ihrem Druckfilter die Möglichkeit, in dieser Zeit seine Filtereigenschaften voll zu entwickeln, ohne dass diese teilweise oder komplett unterbrochen werden.

► Gebrauchsanweisung Ubbink BioPressure II -3000/6000/10000/18000



Wartung und Reinigung

ACHTUNG! Vor jedem Eingriff (Erstmontage, Reinigung, Einbau und Wechsel der UVC-Lampe, etc.) muss immer erst die Stromzufuhr des UVC-Gerätes und der Pumpe unterbrochen werden!

Schmutz ablassen

Der BioPressure II arbeitet größtenteils wartungsfrei. Abhängig vom Verschmutzungsgrad des Teichwassers können Schmutzablagerungen aber den Reinigungseffekt vermindern. Darum sollten (je nach Verunreinigungsgrad) die Schmutzablagerungen etwa alle 2 Wochen ausgespült werden.

1. Ist am Schmutzablass die Verschlusskappe (Glas) montiert, so entfernen Sie diese und schließen dafür die schwarze Universal-Schlauchtülle mit Schlauch an.
2. Den Funktionsschalter (B) in die Stellung „Reinigungsbetrieb“ drehen, bis ein leises Klicken zu hören ist. Das Wasser wird nun aus Öffnung für Schmutzablass (I) ausströmen.
3. Während dem „Reinigungsbetrieb“ besteht die Möglichkeit, den Funktionsschalter (B) nach unten zu drücken, um auf diese Art die Filterschwämme leicht auszupressen, ohne sie aus dem Gerät nehmen zu müssen. Gehen Sie dabei mit Bedacht vor! Durch zu schnelles und kraftvolles Pressen kann der innere Kunststoffring brechen.
5. Wenn fast klares Wasser aus dem Filter läuft, drehen Sie den Funktionsschalter zurück in Position „Filterbetrieb“.
6. Jetzt können Sie am Schmutzablass wieder die Verschlusskappe (Glas) montieren..

Hinweis: Bitte den Filter nicht restlos auswaschen/ausspülen. Angesiedelte Bakterienkulturen würden dadurch teilweise bis ganz zerstört, was die Reinigungsleistung bis zu einer Ansiedlung neuer Kulturen beeinträchtigt.

Filterschwämme reinigen

Wenn sich trotz durchgeführten Schmutzablass der Druck im Filter weiter erhöht, müssen die Filterschwämme ausgewaschen werden. Als Hilfe dient hier die Kontrollanzeige (D) an der Deckeloberseite.

Normaler Druck	Orangefarbener Ring ist unten/nicht zu sehen.
Druck erhöht	Orangefarbener Ring überdeckt den grünen Zylinder = Reinigung erforderlich.

1. Schalten Sie immer zuerst das integrierte UV-C-Gerät und anschließend die Pumpe aus
2. Entfernen Sie alle Schlauchanschlüsse am Filter
3. Öffnen und Entfernen Sie den Verschlussbügel des Filters (siehe Abb. 1, 2, 3)
4. Den Deckel abheben und auf einer sauberen Oberfläche ablegen, mit der Oberseite nach unten (siehe Abb. 4).
5. Entfernen Sie den oberen Filterboden indem Sie den Kunststoffring zunächst leicht herunterdrücken, dann ein wenig drehen, bis er sich leicht nach oben abheben lässt. Ziehen Sie nun die erste Lage Filterschwämme ab und entfernen sie in gleicher Art die anderen Filterböden, Filterschwämme und Rohre (siehe Abb. 5, 6, 7, 8, 9, 10).
6. Drücken und waschen Sie die Filterschwämme mit Leitungswasser gut aus.
7. Spülen Sie den Filtertopf und Deckel mit einem Gartenschlauch aus.
8. Setzen Sie die Filterschwämme, Filterböden und Rohre in umgekehrter Reihenfolge wieder ein. Beginnen Sie mit einem großen blauen Filterschwamm, danach abwechselnd gelb und blau.
9. Achten Sie auf die Aussparungen in den Kunststoffringen und Filterschwämmen, damit die Filterschwämme dicht aneinander liegen. Zwischenräume oder ein Verkanten können den Zusammenbau erheblich erschweren.
10. Den Deckel auf das Filtergehäuse in Position drücken und anschließend den Spannring über den Rand von Filtergehäuse und Deckel legen und den Filter verschließen (siehe Installation).

Die UV-C-Lampe austauschen

Das im BioPressure-Filter integrierte UV-C-Gerät ist mit einer UV-C-Lampe mit einer Lebensdauer von ca. 8.000 Betriebsstunden ausgestattet. Nach dieser Zeit hat sich die UV-C-Leistung so weit reduziert, dass die UV-C-Lampe ausgetauscht werden muss. Die benötigte UV-C-Ersatzlampe ist bei Ihrem Ubbink - Fachhändler erhältlich. Verwenden Sie nur eine UV-C-Lampe, deren Bezeichnung und Leistung mit den Angaben auf dem Typenschild übereinstimmt.

Den Austausch der UV-C-Lampe nehmen Sie wie folgt vor:

1. Schrauben Sie den Handgriff ab und drehen Sie anschließend die Schrauben aus dem UV-C-Deckel, der am Filter fixiert ist (siehe Abb. 11)
2. Nehmen Sie den UV-C-Deckel ab, ziehen Sie die UV-C-Lampe vorsichtig aus der Fassung und setzen Sie dann vorsichtig die UV-C-Ersatzlampe ein. (siehe Abb. 12, 13, 14)
3. Setzen Sie den UV-C-Deckel wieder auf und schrauben Sie diesen und den Handgriff fest (siehe Abb. 15, 16).

ACHTUNG: Die UV-C-Lampe bitte nicht mit bloßen Händen anfassen!! Dies kann die Lampe beschädigen.

Das UV-C-Quarzglas säubern / austauschen

Das UV-C-Quarzglas sollte mindestens zwei- bis dreimal im Jahr von Schmutz und Kalkablagerungen gereinigt werden, abhängig vom Algenwachstum im Teich sowie dem Verschmutzungsgrad des Teichwassers.

1. Schalten Sie immer zuerst das integrierte UV-C-Gerät und anschließend die Pumpe aus.
2. Zum Vereinfachen der Wartungsarbeit empfehlen wir den Filter vollständig zu entleeren.
3. Entfernen Sie den UV-C-Deckel, wie unter Austausch UV-C-Lampe beschrieben.
4. Entnehmen Sie die UV-C-Lampe und ziehen Sie anschließend das UV-C-Quarzglas vorsichtig aus dem Gehäuse. Dieses ist eingesteckt und kann einfach herausgezogen werden. Ein Gummiring verhindert das Verrutschen.
5. Reinigen Sie das UV-C-Quarzglas mit Leitungswasser und einem weichem Reinigungstuch.
Achtung! Vermeiden Sie dabei Kratzspuren auf dem Quarzglas und fassen Sie den Glaskolben möglichst nicht direkt mit den Händen an. Durch die UV-C-Strahlung brennen sich Schweiß und Fett auf dem Glaskolben ein und können eine Leistungsminderung des UV-C-Gerätes zur Folge haben.
6. Spülen Sie das Kunststoffgehäuse, in dem das UV-C-Quarzglas steckt, mit Wasser aus und trocken Sie das Gehäuse vor dem Zusammenbau.
7. Das UV-C-Quarzglas sorgfältig abtrocknen, bevor Sie es wieder einsetzen.
8. Die UV-C-Lampe wieder einsetzen und die UV-C-Sektion in umgekehrter Reihenfolge wieder verschließen.
9. Dann immer zuerst die Pumpe und anschließend das UV-C-Gerät einschalten.

Lagern/überwintern

Der Druckfilter muss bei Frost abgebaut und frostfrei aufbewahrt werden. Vorher sollte aber noch eine gründliche Reinigung durchgeführt und das Gerät auf Beschädigungen geprüft werden.

► Gebrauchsanweisung Ubbink BioPressure II -3000/6000/10000/18000



Probleme und Lösungen:

Problem	Mögliche Ursache	Lösung
Nach 6 bis 8 Wochen haben sich noch keine positiven Filterresultate eingestellt	Der Filter läuft nicht 24 h täglich, wird z.B. nachts abgeschaltet	Den Filter permanent laufen lassen
	Die Filtermedien wurden innerhalb der ersten 6-8 Wochen gereinigt	Den Filter in den ersten 6-8 Wochen ohne Reinigung laufen lassen
	Das Teichwasser ist extrem verschmutzt	Wechseln Sie das Wasser und entfernen Sie die Algen
	Wasserwerte sind nicht in Ordnung, z.B. zu hoher pH-Wert	Wasserwerte regelmäßig testen und ggf. korrigieren;
	Das Teichwasser hat einen zu geringen Sauerstoffgehalt	Einsatz einer Belüfterpumpe zum Ausgleich der Sauerstoffverluste
	Es befinden sich zu viele Lebewesen im Teich	Richtlinie: max. 50-70 cm Fisch (Gesamtlänge) pro 1.000 Liter Teichvolumen
	Der Filter oder das UV-C-Quarzglas ist verunreinigt	Reinigen Sie die jeweiligen Teile
	Das UV-C-Gerät arbeitet nicht	die UVC-Lampe ist ggf. defekt und muss ausgetauscht werden Prüfen Sie den Netzanschluss
Kein Wasseraustausch durch Ein-/ Ausgänge	Schalter auf „Reinigen“ eingestellt	Schalter auf „Filtern“ stellen
	Eingang verstopft	Säubern

3

Garantie

Auf Ubbink BioPressure-Filterer gewähren wir eine Garantie von 3 Jahren gegen Material- und Herstellungsfehler, die ab Kaufdatum gilt. Für Inanspruchnahme der Garantie muss als Kaufnachweis der Original-Beleg vorgelegt werden.

Zusätzlich gewähren wir auf Ubbink BioPressure-Filterer eine 12-monatige Klarwasser-Garantie für sauberes und gesundes Wasser. Diese Garantie ist gültig für 12 Monate ab Kaufdatum, unter der Bedingung, dass ab der 6. Woche nach Inbetriebnahme des BioPressure-Filterers noch keine nachweisbaren Erfolge bei der Filterung des Teichwassers erzielt werden, im besonderen nicht beim Abbau von Schwebalgen. Für die Inanspruchnahme der Klarwasser-Garantie setzt Ubbink voraus, dass die Gebrauchsanweisung beachtet und das passende System (BioPressure-Filter und empfohlene Pumpe) für den zu filternden Teich ausgewählt wurden.

Nicht unter die Garantie fallen:

- Glasbruch bzw. Defekt bei UV-C-Lampe und/oder Quarzglas des UV-C-Gerätes
- Beanstandungen, deren Ursache auf Einbau- und Bedienungsfehler, mangelnde Pflege, Frosteinwirkung, unsachgemäße Reparaturversuche, Gewaltanwendung, Fremdverschulden, Überlastung, oder Fremdkörper zurückzuführen sind, sowie alle Teileschäden aufgrund von Verschleiß.



Klarwasser-Garantie

Unser Druckfilter BioPressure II ist mit einem hochwertigen UV-C-Gerät 11 Watt, einem speziellen Filtermattensystem sowie einem integrierten Schmutzwasserablass ausgestattet. Das macht es uns möglich, Ihnen eine Klarwasser-Garantie für sauberes und gesundes Wasser zu gewähren!

Diese Garantie ist gültig für 12 Monate ab Kaufdatum.

Für die Inanspruchnahme der Klarwasser-Garantie setzen wir voraus, dass

- die BioPressure Gebrauchsanleitung beachtet und das passende System (Filter und empfohlene Pumpe) für den zu filternden Teich ausgewählt wurde.
- ab der sechsten Woche nach Inbetriebnahme nachweislich noch kein Erfolg bei der Filterung des Teichwassers erzielt wurde, in Besonderen nicht beim Abbau der Schwebalgen (grünes Wasser).

Bei eventuell auftretenden Problemen fragen Sie bitte Ihren Fachhändler.



Umweltschutz

Elektroaltgeräte sollen nicht mit dem Hausmüll entsorgen werden. Bitte bringen Sie das Altgerät zu Ihrer örtlichen Sammelstelle. Weitere Auskünfte erhalten Sie von Ihren Händler oder Entsorgungsunternehmen.

► Gebruiksaanwijzing Ubbink BioPressure II -3000/6000/10000/18000



Geachte klant,

Wij willen u graag feliciteren met de aankoop van een product uit de BioBalance-serie, de hoogwaardige vijverfilters van Ubbink.

In de vorm van deze gebruiksaanwijzing beschikt u over belangrijke informatie die nuttig zal zijn bij de montage, de ingebruikname en het onderhoud van uw BioPressure drukfilter. Leest u de gebruiksaanwijzing s.v.p. voor het installeren van het filter zorgvuldig door, zodat u goed met het apparaat vertrouwd raakt. Wat u in elk geval in acht moet nemen zijn de instructies voor een juist en veilig gebruik. Bewaart u deze gebruiksaanwijzing daarom zorgvuldig!

Inhoud levering

- 1 Drukfilter BioPressure II met geïntegreerd UV-C-apparaat
- 1 Universele slangtuit 40-32-25-19 mm, transparant
- 1 Universele slangtuit 40-32-25-19 mm, zwart
- 3 Sluitringen 1 1/2"
- 1 Schroefring met afsluitdop (glas)
- 1 Gebruiksaanwijzing

Technische gegevens

BioPressure II	3000	6000	10000	18000
Art.-nr.	1355408	1355409	1355410	1355413
Inhoud filter	10 Liter	10 Liter	15 Liter	25 Liter
Filtermedium	Speciale filtermat in lagen	Speciale filtermat in lagen	Speciale filtermat in lagen	Speciale filtermat in lagen
Drukbelasting	max. 0,49 bar	max. 0,49 bar	max. 0,49 bar	max. 0,49 bar
UV-C-straler	PL-S 5 W	PL-S 9 W	PL-S 11 W	PL-L 18 W
Netspanning / frequentie	230 VAC / 50 Hz	230 VAC / 50 Hz	230 VAC / 50 Hz	230 VAC / 50 Hz
Kabellengte	4,5 m	4,5 m	4,5 m	4,5 m
UV-C-vermogen na ca. 5000 uur	85%	85%	85%	85%
Art.-nr. voor vervangend UV-C-wartsglas	1358765	1358766	1358730	1358767
Art.-nr. voor vervangende UV-C-lamp	1355109	1355110	1355112	1355115
Max. inhoud vijver	3.000 Liter	6.000 Liter	10.000 Liter	18.000 Liter

Symbolen en instelmogelijkheden



Waterinlaat van de pomp naar het filter



Wateruitlaat van het filter naar de vijver



Wateruitlaat in schoonmaakstand



Bedieningsknop "Filteren"



Bedieningsknop "Schoonmaakstand"



Veiligheidsinstructies

WAARSCHUWING: UV-stralen zijn gevaarlijk voor de ogen en de huid. De UV-C-straler mag niet in bedrijf genomen worden wanneer deze is losgehaald uit zijn behuizing!

LET OP:

Dit apparaat is uitgerust met een UV-C-straler! Onvoorzien gebruik van het apparaat of beschadiging van de behuizing kan gevaarlijke UV-C-straling ten gevolge hebben. UV-C-straling kan reeds in een geringe dosis schade veroorzaken aan de ogen en de huid.

- De stroomtoevoer moet voldoen aan de productspecificaties. Wanneer de stroomtoevoer niet voldoet aan de gespecificeerde voorschriften, moet u het UV-C-apparaat niet aansluiten! Voor verdere informatie kunt u een erkende installateur bij u in de buurt raadplegen.
- De stroomkring voor het UV-C-apparaat moet door middel van een aardlekschakelaar (FI of RCD) met een nominale aanspreekstroom van max. 30 mA zijn gezekeerd.
- Telkens wanneer er aan het apparaat iets wordt gedaan (installeren, onderhoud etc.) moet het UV-C-apparaat van het elektriciteitsnet zijn losgekoppeld!
- Het drukfilter incl. het UV-C-apparaat mag in geen geval in gebruik worden genomen als dit in het water staat. Het dient naast de vijver te worden geplaatst, op een plek die niet onder water kan komen te staan.
- Het drukfilter moet op meer dan 2 m van de vijver of het bassin worden geïnstalleerd, en de stroomaansluiting op meer dan 3,5 m.
- Het is niet toegestaan het UV-C-apparaat of de bijbehorende onderdelen open te maken, als dat niet uitdrukkelijk staat aangegeven in deze gebruiksaanwijzing. Dat geldt ook voor het aanbrengen van technische modificaties aan het apparaat.

Gebruiksaanwijzing Ubbink BioPressure II -3000/6000/10000/18000

- Het UV-C-apparaat is uitgerust met een veiligheidsrelais dat de stroomtoevoer automatisch onderbreekt zodra het apparaat wordt opengemaakt.
- De stekker en alle aansluitingen moeten te allen tijde droog worden gehouden. De aansluitkabel van het UV-C-apparaat moet om eventuele beschadigingen te voorkomen worden verlegd met een beschermende voorziening.
- Het drukfilter mag pas in gebruik worden genomen nadat alle componenten geïnstalleerd en alle slangen aangesloten zijn.
- Controleer of het apparaat uit is uitgeschakeld als er geen water doorheen stroomt.
- Het drukfilter mag alleen worden gebruikt bij een watertemperatuur van +5 °C tot +35 °C.
- Van een UV-C-apparaat dat zichtbare beschadigingen vertoont mag geen gebruik worden gemaakt!
- De voedingskabel van het UV-C-apparaat kan niet worden vervangen. Bij beschadiging van de kabel moet het UV-C-apparaat volgens de regels als afval worden verwijderd.
- Het drukfilter is niet geschikt om te worden gebruikt door personen (kinderen inbegrepen) met lichamelijk, geestelijk of zintuiglijk verminderde vermogens, of personen die niet over de hiervoor benodigde ervaring en kennis beschikken, tenzij hierbij op hen toezicht wordt gehouden door iemand die verantwoordelijk is voor hun veiligheid of nadat hun uitdrukkelijk geïnstrueerd is hoe zij het apparaat moeten bedienen. Op kinderen moet hierbij toezicht worden gehouden door ouderen, om er zeker van te zijn dat ze niet met het apparaat gaan spelen.

Toepassing

De BioPressure II is een mechanisch/biologisch werkend drukfilter met geïntegreerd UV-C-apparaat dat naast de vijver moet worden geplaatst, boven en onder de waterspiegel. Het gefilterde water van de vijver kan door het drukfilter ook naar hoger gelegen watervallen worden gepompt. Om bij het bestralen met UV-C tot zichtbare resultaten te komen, moet het water van de vijver binnen 2 uur (bij een vijver met vissen) of 4 uur (vijver zonder vissen) ten minste één keer volledig zijn rondgepompt.



Installeren

ATTENTIE! Voor elke ingreep (eerste montage, schoonmaken, inbouw en vervangen van de UV-C-lamp etc.) moet altijd eerst de stroomtoevoer naar het UV-C-apparaat en de pomp worden onderbroken!

1. Bepaal eerst waar het BioPressure-filter moet komen te staan (zie de veiligheidsinstructies). Het filter kan zowel bovengronds als ondergronds worden geplaatst. Wanneer het BioPressure-filter tot aan het deksel wordt ingegraven, moet erop worden gelet dat het filter helemaal horizontaal komt te staan en het gat goed wordt opgevuld met aarde of zand.
2. Leg de grote rubberen pakkingring op de rand van de filterpot. Daarbij moet u er goed op letten dat de ring bij het aanbrengen niet verdraaid of op zijn kant komt te zitten. Alleen daardoor kunt u er zeker van zijn dat het deksel correct kan worden aangebracht en er later geen water tussen de beide delen van het filter kan weglopen.

Tip: Bevochtig de rubberen pakkingring met een beetje water en leg die dan iets hoger op de bovenste rand van de filterhouder. Wanneer u dan het deksel erop drukt, rolt de pakkingring vanzelf omlaag in de goede positie.
3. Het deksel op het filterhuis in positie brengen door erop te drukken en vervolgens de spanning leggen over de rand van het filterhuis en het deksel heen, en daarna het filter afsluiten.
4. Filterinlaat (A):
de universele slangtuit (zwart) passend maken voor de vijverslang en vastschroeven aan de filterinlaat.
De vijverslang tot de gewenste lengte inkorten, bij de pomp en de filterinlaat op de slangtuiten zetten en vastzetten met slangklemmen. De pomp in de vijver op een stevige ondergrond plaatsen, vrij van zand en modder. Lees voordat u de pomp in gebruik neemt eerst de gebruiksaanwijzing en de veiligheidsinstructies goed door, en houd u aan de voorgescreven minimum diepte voor het onderdompelen. Bij het aansluiten op de slangtuiten moet u de daarvoor bedoelde pakkingringen gebruiken.
5. Filteruitlaat (J):
de transparante universele slangtuit passend maken voor de vijverslang en vastschroeven aan de filteruitlaat.
De vijverslang tot de gewenste lengte inkorten, vervolgens het ene uiteinde van de slang op de slangtuit zetten en vastzetten met slangklemmen. Het andere uiteinde van de slang moet u terugvoeren naar de vijver of de waterval. Bij het aansluiten op de slangtuit moet u de daarvoor bedoelde pakkingring gebruiken. Als het gefilterde water direct naar de vijver wordt geleid, moet het water vanaf een hoogte van circa 15-20 cm de vijver in kunnen stromen.
6. Vuilwaterafvoer (I):
de universele slangtuit (zwart) passend maken voor de vijverslang en vastschroeven aan de vuilwaterafvoer. De vijverslang tot de gewenste lengte inkorten, vervolgens het ene uiteinde van de slang op de slangtuit zetten en vastzetten met slangklemmen. Het andere uiteinde van de slang moet worden gevoerd naar de plek waar het vuile water naartoe moet worden afgevoerd. Bij het aansluiten op de slangtuit moet u de daarvoor bedoelde pakkingring gebruiken.

Opmerking: Tijdens het filteren kunt u deze uitlaat ook afsluiten met een dop. Daarvoor moet u de afsluitdop (van glas) op de vuilafvoer plaatsen en vastschroeven met de ring. De slangtuit met de slang legt u dan weg; die hebt u later nodig bij de "schoonmaakstand".

7. Voordat u het drukfilter in gebruik neemt, moet u nog een keer controleren of alle kabelverbindingen en slangaansluitingen wel correct zijn aangebracht, en of het filter goed is afgesloten met de afichting. Bedieningsknop (B) moet staan op "Filteren".
8. Altijd eerst de pomp inschakelen en controleren of het water wel gelijkmatig door het drukfilter loopt en of er aan het filter en bij de slangverbindingen geen water lekt. Pas daarna moet u het UV-C-apparaat inschakelen.
9. Belangrijk is om uw drukfilter continu in werking te houden. Alleen voor het onderhoud en tijdens de winterperiode moet het filter geheel worden uitgeschakeld. Voor de duur van de periode waarin bacteriën nog tot ontwikkeling kunnen komen (6-8 weken) adviseren wij het UV-C-apparaat nog uitgeschakeld te laten.
10. Als het drukfilter buiten bedrijf moet worden gesteld (voor onderhoud en in de winter), dient altijd eerst het UV-C-apparaat te worden uitgeschakeld. Pas daarna mag u de pomp uitschakelen en het water uit het filter weg laten lopen.

Opmerking: dit BioPressure-drukfilter is voorzien van een stel filtermatten met een structuur waarop zich vuile en zwevende deeltjes kunnen afzetten. Deze deeltjes dragen ertoe bij dat binnen zo'n 6-8 weken na ingebruikname van het filter zich de bacteriën vormen die nodig zijn voor zowel de mechanische als de biologische filtering. U moet uw drukfilter daarom de gelegenheid geven om in die periode zijn filterende eigenschappen volledig te ontwikkelen, dus zonder dat dit proces onderbroken of volledig gestopt wordt.

Gebruiksaanwijzing Ubbink BioPressure II -3000/6000/10000/18000



Onderhoud en schoonmaak

ATTENTIE! Voor elke ingreep (eerste montage, schoonmaken, inbouw en vervangen van de UV-C-lamp etc.) moet altijd eerst de stroomtoevoer naar het UV-C-apparaat en de pomp worden onderbroken!

Vuil afvoeren

De BioPressure II werkt nagenoeg onderhoudsvrij. Afhankelijk van de mate waarin het water van de vijver vervuild is, kunnen zich echter afzettingen vormen van vuile deeltjes, waardoor het reinigend effect minder wordt. Daarom moeten deze afzettingen (afhankelijk van de mate van vervuiling) ongeveer om de twee weken worden schoongespoeld.

1. Als de afsluitdop (van glas) op de vuilafvoer zit, moet u deze verwijderen en dan de zwarte universele slangtuit met de slang aanbrengen.
2. Bedieningsknop (B) draaien in de "Schoonmaakstand"; totdat u een lichte klik hoort. Het water zal nu uit de opening voor de vuilafvoer (I) wegstromen.
3. Zolang het apparaat in de "Schoonmaakstand" staat, is het mogelijk om bedieningsknop (B) omlaag te drukken, om op die manier de filtersponzen iets uit te knijpen, zonder dat u daarvoor uit het apparaat hoeven te worden gehaald. Doe dit wel met beleid! Als u te snel en te krachtig drukt, kan de ring van kunststof aan de binnenkant namelijk breken.
5. Zodra het water dat uit het filter loopt vrijwel volkomen helder is, zet u de bedieningsknop terug op "Filteren".
6. Nu kunt u de afsluitdop (van glas) weer op de vuilafvoer zetten.

Opmerking: Het filter kunt u beter niet helemaal schoonwassen/-spoelen. De bacteriën die zich daar in culturen aan vast hadden gehecht, kunnen daardoor geheel of gedeeltelijk worden verdeld. Gevolg is dat de reinigende werking minder wordt, totdat zich weer nieuwe culturen hebben gevormd.

Filtersponzen schoonmaken

Als het afvoeren van het vuil niet heeft kunnen voorkomen dat de druk in het filter omhoog is gegaan, moeten de filtersponzen worden schoongespoeld. Hierbij is de controlelamp (D) bovenop het deksel een handige hulp.

Normale druk	De oranjekeurige ring is naar beneden/niet te zien
Druk verhoogd	De oranjekeurige ring dekt de groene cilinder af = schoonmaken noodzakelijk

1. Zet altijd eerst het geïntegreerde UV-C-apparaat en vervolgens de pomp uit.
2. Haal alle slang aansluitingen van het filter af.
3. Zet de sluitbeugel van het filter open en verwijder deze dan (zie afb. 1, 2, 3)
4. Haal het deksel eraf en legt dat weg op een schone ondergrond, met de bovenkant naar onderen wijzend. (zie afb. 4).
5. Haal de onderste bodem van het filter weg door de kunststofring eerst zachtjes naar beneden te drukken en dan een beetje te verdraaien, totdat die gemakkelijk is uit te nemen. Trek nu de eerste laag van de filtersponzen los en verwijder vervolgens op dezelfde manier de andere filterbodems, sponzen en leidingen (zie afb. 5, 6, 7, 8, 9, 10).
6. Pers en spoel de filtersponzen goed uit met leidingwater.
7. Spoel dan de pot en het deksel van het filter schoon met een tuinslang.
8. Breng de filtersponzen, de bodems en de leidingen in omgekeerde volgorde weer aan. Begin dan met een grote blauwe filterspons, pak daarna een gele en zo verder om en om.
9. Let ook op de uitsparingen in de kunststof ringen en de filtersponzen, om ervoor te zorgen dat deze laatste dicht tegen elkaar aan komen te liggen. Als er een tussenruimte ontstaat of er komt er een beetje scheef te liggen, dan bemoeilijkt dat het weer in elkaar zetten later.
10. Het deksel op het filterhuis brengt u in positie door erop te drukken, waarna u de spanning over de rand van het filterhuis en het deksel heen legt. Daarna moet u het filter afsluiten (zie bij Installeren).

De UV-C-lamp vervangen

Het in het BioPressure-filter geïntegreerde UV-C-apparaat is uitgerust met een UV-C-lamp met een levensduur van ca 8.000 branduren. Als er zoveel tijd is verstreken, zal het UV-C- vermogen zo ver zijn teruggelopen dat de UV-C-lamp aan vervanging toe is. De hiervoor benodigde vervangende UV-C-lamp is verkrijgbaar bij uw Ubbink-dealer. U moet alleen een UV-C-lamp nemen waarvan de aanduiding en het vermogen overeenkomen met hetgeen op het typeplaatje vermeld staat.

Bij het vervangen van de UV-C- lamp gaat u te werk als volgt:

1. Schroef de handgreep los en draai vervolgens de schroeven uit het UV-C-deksel dat bevestigd is aan het filter (zie afb. 11)
2. Haal het UV-C-deksel er af, trek de UV-C-lamp voorzichtig uit de fitting en zet er dan de nieuwe UV-C-lamp voorzichtig voor terug (zie afb. 12, 13, 14).
3. Breng het UV-C-deksel weer aan en schroef dat vast, evenals de handgreep (zie afb. 15, 16).

Attentie: De UV-C-lamp moet u niet met uw vingers aanraken!! De lamp kan daardoor beschadigd raken.

Het UV-C-kwartsglas schoonmaken / vervangen

Het UV-C-kwartsglas moet minstens 2-3 keer per jaar worden ontdaan van vuil en kalkafzettingen, afhankelijk van de algengroei in de vijver en de graad van vervuiling van het daarin staande water.

1. Zet altijd eerst het geïntegreerde UV-C-apparaat en vervolgens de pomp uit.
2. Om het schoonmaken te vergemakkelijken, raden wij aan het filter helemaal te legen.
3. Haal het UV-C-deksel eraf, zoals beschreven bij het vervangen van de UV-C-lamp.
4. Haal de UV-C-lamp eruit en trek vervolgens het UV-C-kwartsglas voorzichtig uit de behuizing.
Dit zit daar in geklemd en kan er gemakkelijk uit worden getrokken. Een rubberen ring voorkomt dat het geheel verschuift.
5. Maak het UV-C-kwartsglas schoon met vers leidingwater en een zachte doek.
Attentie!! Let erop dat u daarbij geen krassen maakt in het kwartsglas, en raak het glas daarom als het even kan niet met uw vingers aan. Door de UV-C-straling worden het zweet en vet van de huid namelijk in het glas ingebrand, met als gevolg dat het effect van het UV-C-apparaat zal afnemen.
6. Spoel de kunststof behuizing waar het UV-C-kwartsglas in ingeklemd zat met water schoon en droog het goed voor u alles weer in elkaar zet.
7. Het UV-C-kwartsglas moet u zorgvuldig afdrogen voordat u dit terugplaatst.
8. Zet de UV-C-lamp weer op zijn plaats en maak de UV-C-sectie in omgekeerde volgorde weer dicht.
9. Vervolgens altijd eerst de pomp inschakelen en daarna het UV-C-apparaat.

Opslaan/overwinteren

Het drukfilter moet als het vriest verwijderd en vorstvrij bewaard worden. Voordien moet het echter nog een keer grondig worden schoongemaakt en moet het apparaat worden gecontroleerd op beschadiging.



Problemen en oplossingen:

Probleem	Mogelijke oorzaak	De oplossing
Na 6-8 weken zijn er met het filteren nog geen positieve resultaten behaald	Het filter loopt niet 24 uur per dag en wordt bijvoorbeeld 's nachts uitgeschakeld	Het filter permanent laten lopen
	De filtermedia zijn al binnen de eerste 6-8 weken schoongemaakt	Het filter moet u de eerste 6-8 weken laten lopen zonder het schoon te maken
	Het water van de vijver is extreem vuil	Ververs al het water en verwijder de algen
	De waterwaarden zijn niet in orde, met bijvoorbeeld een te hoge pH-waarde	De waterwaarden regelmatig testen en zo nodig corrigeren;
	Het water van de vijver bevat te weinig zuurstof	Zet een beluchtingspomp in om het tekort aan zuurstof te compenseren
	Er zitten teveel levende wezens in de vijver	De richtlijn is max. 50-70 cm vis (lengten opgeteld) per 1000 liter vijverinhoud
	Het filter of het UV-C-kwartsglas is vervuild	Maak de desbetreffende onderdelen schoon
	Het UV-C-apparaat functioneert niet	De UV-C-lamp is mogelijk defect en moet worden vervangen Controleer de netaansluiting
Er komt geen water door de in-/uitlaten	De bedieningsknop staat op "Schoonmaken"	Bedieningsknop zetten op "Filteren" <0>
	De inlaat is verstopt	Maak deze schoon



Garantie

Voor Ubbink BioPressure-filters geven wij u 3 jaar garantie vanaf de aankoopdatum op materiaal- en fabricagefouten. Om van de garantie gebruik te maken, moet als aankoopbewijs de originele aankoopbon worden voorgelegd.

Aanvullend geven wij voor Ubbink BioPressure-filters een helderwatergarantie van 12 maanden op zuiver en gezond water. Deze garantie is 12 maanden geldig vanaf de aankoopdatum, op voorwaarde dat vanaf de 6e week na de ingebruikname van het BioPressure-filter nog geen aantoonbare resultaten bij de filtering van het vijverwater worden behaald, met name geen afname van zweefalgen. Om van de helderwatergarantie gebruik te kunnen maken, stelt Ubbink als voorwaarde dat de gebruiksaanwijzing in acht werd genomen en dat het passende systeem (BioPressure-filter en aanbevolen filterpomp) voor de te filteren vijver werden gekozen.

Valt niet onder de garantie:

- glasbreuk of defect aan de uv-c-lamp en/of het kwartsglas van het uv-c-apparaat,
- reclamaties waarvan de oorzaak terug te brengen is tot montage- en bedieningsfouten, gebrekkig onderhoud, blootstelling aan vorst, onvakkundige reparatiepogingen, geweldpleging, schuld van derden, overbelasting of de inwerking van vreemde voorwerpen en beschadiging aan onderdelen door slijtage.



Helder-watergarantie

Ons drukfilter BioPressure II is uitgerust met een hoogwaardig UV-C-apparaat van 11 watt, een speciaal systeem met filtermatten en een geïntegreerde vuilwaterafvoer. Daardoor zijn wij in staat een helder-watergarantie af te geven voor schoon en gezond water!

Deze garantie is 12 maanden geldig, ingaande op de datum van aankoop.

Om een beroep te kunnen doen op de helder-watergarantie, stellen wij als voorwaarde dat

- de gebruikshandleiding voor de BioPressure is opgevolgd en het juiste bijbehorende systeem (filter en aanbevolen pomp) voor de te filteren vijver is gekozen.
- vanaf de zesde week na ingebruikname aantoonbaar nog geen resultaat is behaald met het filteren van het water van de vijver, en dan meer in het bijzonder niet met het terugdringen van de daarin zwevende algen (groen water).

Vraag het uw dealer als er problemen zijn.



Milieubescherming

Gebruikte elektrische apparaten mogen niet met het huisvuil worden meegegeven. Het elektrische apparaat moet worden afgevoerd naar het plaatselijk verzamelpunt. Neem voor meer inlichtingen contact op met uw detaillist of met het plaatselijk afvalverwerkingsbedrijf.



Cher client,

Nous vous félicitons d'avoir acheté un produit de la série de filtres de bassin de qualité supérieure BioBalance d'Ubbink. Ce mode d'emploi contient des informations importantes concernant le montage, la mise en service et l'entretien de votre filtre sous pression BioPressure. Veuillez lire attentivement le mode d'emploi avant l'installation du filtre et vous familiariser avec l'appareil. Respectez impérativement les consignes de sécurité pour une utilisation correcte et sûre. Conservez soigneusement ce mode d'emploi !

Équipement standard

- 1 filtre sous pression BioPressure II avec appareil UV-C intégré
- 1 embout de tuyau universel 40-32-25-19 mm, transparent
- 2 embouts de tuyau universels 40-32-25-19 mm, noirs
- 3 bagues d'étanchéité 1 1/2"
- 1 anneau fileté avec capuchon (verre)
- 1 mode d'emploi

Caractéristiques techniques

BioPressure II	3000	6000	10000	18000
Référence	1355408	1355409	1355410	1355413
Capacité du filtre	10 litres	10 litres	15 litres	25 litres
Matériau filtrant	Mat filtrant à étages spécial	Mat filtrant à étages spécial	Mat filtrant à étages spécial	Mat filtrant à étages spécial
Charge de pression	max. 0,49 bar	max. 0,49 bar	max. 0,49 bar	max. 0,49 bar
Lampe UV-C	PL-S 5 W	PL-S 9 W	PL-S 11 W	PL-L 18 W
Tension de secteur / fréquence	230 VAC / 50 Hz	230 VAC / 50 Hz	230 VAC / 50 Hz	230 VAC / 50 Hz
Longueur de câble	4,5 m	4,5 m	4,5 m	4,5 m
Rendement UV-C après env. 5000 h	85%	85%	85%	85%
Référence pour le verre de quartz UV-C de rechange	1358765	1358766	1358730	1358767
Référence pour l'ampoule UV-C de rechange	1355109	1355110	1355112	1355115
Contenu max. du bassin	3.000 litres	6.000 litres	10.000 litres	18.000 litres

Symboles et réglages



Arrivée d'eau de la pompe vers le filtre



Sortie d'eau du filtre vers le bassin



Sortie d'eau en mode nettoyage



Commutateur de fonction « mode filtration »



Commutateur de fonction « mode nettoyage »



Consignes de sécurité

AVERTISSEMENT : Les rayons UV sont dangereux pour les yeux et pour la peau. La lampe UV-C ne doit pas être mise en marche lorsqu'elle a été retirée du boîtier de l'appareil !

ATTENTION : Cet appareil contient une lampe UV-C ! Une mise en marche involontaire de l'appareil ou des dommages sur le boîtier peuvent entraîner la sortie de rayons UV-C dangereux. Même à faible dose, les rayons UV-C peuvent entraîner des lésions oculaires et cutanées.

- L'alimentation électrique doit correspondre aux spécifications du produit. Ne branchez pas l'appareil UV-C au courant lorsque l'alimentation électrique ne répond pas aux prescriptions spécifiées ! Pour de plus amples informations, veuillez vous renseigner auprès de votre électricien.
- Le circuit électrique pour l'appareil UV-C doit être protégé par un dispositif de protection contre les courants de court-circuit (RCD) avec un courant différentiel mesuré de max. 30 mA.
- Avant toute intervention (installation, maintenance, etc.), l'appareil UV-C doit être coupé du secteur !
- Le filtre sous pression avec l'appareil UV-C ne doit en aucun cas être mis en marche sous l'eau et doit être installé à côté du bassin de manière à éviter toute submersion.
- Le filtre sous pression doit être installé à plus de 2 m et le branchement électrique à plus de 3,5 m de l'étang ou du bassin.
- Il est interdit d'ouvrir l'appareil UV-C ou ses pièces lorsque ce n'est pas expressément mentionné dans le mode d'emploi. Cela vaut également pour les modifications techniques sur l'appareil.

Mode d'emploi Ubbink BioPressure II -3000/6000/10000/18000

- L'appareil UV-C est équipé d'un disjoncteur de protection qui coupe automatiquement l'alimentation électrique en cas d'ouverture de l'appareil.
- La fiche d'alimentation et toutes les pièces de raccordement doivent toujours être sèches. Le câble d'alimentation de l'appareil UV-C doit être posé de manière protégée afin d'éviter tout risque de dommage.
- Le filtre sous pression peut uniquement être mis en marche lorsque tous les composants et les raccords de tuyau ont été installés.
- Veillez à ce que l'appareil soit éteint lorsqu'il n'y a pas d'eau qui passe à travers l'appareil.
- Le filtre sous pression peut uniquement être utilisé avec une température de l'eau comprise entre + 5 °C et + 35 °C.
- Ne pas mettre l'appareil UV-C en marche s'il présente des dommages visibles !
- Il n'est pas possible de remplacer le câble d'alimentation de l'appareil UV-C. Si le câble est endommagé, l'appareil UV-C doit être jeté dans le respect des prescriptions applicables.
- Le filtre sous pression ne doit pas être utilisé par des personnes (y compris des enfants) présentant des capacités physiques, sensorielles ou mentales réduites ou manquant d'expérience et de connaissances à moins qu'elles soient surveillées par une personne responsable de leur sécurité ou qu'elles aient reçu des instructions concernant l'utilisation de l'appareil. Les enfants doivent être surveillés afin de s'assurer qu'ils ne jouent pas avec l'appareil.

Utilisation

BioPressure II est un filtre sous pression à fonctionnement mécanique/biologique avec appareil UV-C intégré à installer à côté du bassin au-dessous ou en dessous du niveau de l'eau. Le filtre sous pression permet également de pomper l'eau de bassin filtrée vers des chutes d'eau situées en hauteur. Afin d'obtenir des résultats visibles lors du traitement par UV-C, l'eau du bassin doit être entièrement renouvelée au moins une fois en 2 heures (bassin avec poissons) ou 4 heures (bassin sans poissons).



Installation

ATTENTION ! Toujours couper l'alimentation électrique de l'appareil UV-C et de la pompe avant toute intervention (premier montage, nettoyage, installation et remplacement de l'ampoule UV-C).

1. Choisissez où installer le filtre BioPressure (respectez les consignes de sécurité). Le filtre peut être installé sur le sol ou sous la terre. Si vous enterrez le filtre BioPressure jusqu'au couvercle, veillez à ce que le filtre soit bien horizontal et à ce qu'il soit bien maintenu en place avec de la terre ou du sable.

2. Placez la grande bague d'étanchéité en caoutchouc sur le rebord du filtre. Veillez impérativement à ce que la bague d'étanchéité en caoutchouc ne se torde pas ou ne se coince pas lors de l'installation. C'est la seule façon de garantir que le couvercle puisse être correctement fermé afin d'empêcher ensuite l'eau de sortir des deux parties du filtre.

Conseil : Humidifiez légèrement la bague d'étanchéité en caoutchouc avec un peu d'eau et posez-la ensuite un peu au-dessus du bord du réservoir du filtre. Lorsque vous fermez le couvercle, la bague d'étanchéité roulera alors vers le bas pour se mettre en position.

3. Placez le couvercle sur le boîtier du filtre et placez ensuite la bague de serrage sur le bord du boîtier du filtre et le couvercle et fermez le filtre.

4. Entrée du filtre (A) : raccourcissez l'embout de tuyau universel (noir) pour l'adapter au tuyau de bassin et vissez-le sur l'entrée du filtre. Raccourcissez le tuyau de bassin à la longueur nécessaire, raccordez-le à la pompe et à l'entrée du filtre et fixez-le à l'aide de pinces pour tuyaux souples. Placez la pompe dans le bassin sur une surface dure, exempte de boue et de sable. Avant de mettre la pompe en marche, lisez le mode d'emploi et les consignes de sécurité et respectez la profondeur minimale d'immersion indiquée. Utilisez les bagues d'étanchéité adaptées pour raccorder les embouts de tuyau.

5. Sortie du filtre (J) : raccourcissez l'embout de tuyau universel transparent pour l'adapter au tuyau de bassin et vissez-le sur la sortie du filtre. Raccourcissez le tuyau de bassin à la longueur nécessaire, raccordez ensuite une extrémité du tuyau à l'embout de tuyau et fixez-la à l'aide de pinces pour tuyaux souples. Posez l'autre extrémité du tuyau vers le bassin ou la chute d'eau. Utilisez la bague d'étanchéité adaptée pour raccorder l'embout de tuyau. Si l'eau filtrée est directement renvoyée vers le bassin, l'eau doit s'écouler dans le bassin avec une hauteur de chute d'env. 15-20 cm.

6. Évacuation des impuretés (I) : raccourcissez l'embout de tuyau universel noir pour l'adapter au tuyau de bassin et vissez-le sur l'évacuation des impuretés. Raccourcissez le tuyau de bassin à la longueur nécessaire, raccordez une extrémité du tuyau à l'embout de tuyau et fixez-la à l'aide de pinces pour tuyaux souples. Placez l'autre extrémité à l'endroit où l'eau sale doit être évacuée. Utilisez la bague d'étanchéité adaptée pour raccorder l'embout de tuyau.

Remarque : Pendant que le filtre est en marche, vous pouvez également fermer l'évacuation avec un capuchon. Pour cela, installez le capuchon (verre) sur l'évacuation des impuretés et vissez-le à l'aide de la bague. Conservez l'embout de tuyau et le tuyau pour le « mode nettoyage ».

7. Avant de mettre votre filtre sous pression en marche, vérifiez une nouvelle fois si tous les raccords de câble et les raccords de tuyau ont été correctement effectués et si le filtre est bien fermé à l'aide du joint. Le commutateur de fonction (B) doit être en position « fonction de filtration ».

8. Commencez toujours par mettre la pompe en marche et vérifiez que l'eau traverse le filtre sous pression de manière homogène et qu'il n'y a pas de fuite au niveau du filtre et des raccords de tuyau. Ensuite seulement, vous pouvez mettre l'appareil UV-C en marche.

9. Il est important que votre filtre sous pression soit toujours en marche. Le filtre doit uniquement être entièrement arrêté pour la maintenance et durant l'hiver. Durant la phase de développement des bactéries (6-8 semaines), nous recommandons de garder l'appareil UV-C éteint.

10. Si vous souhaitez arrêter le filtre sous pression (maintenance et hiver), vous devez toujours d'abord éteindre l'appareil UV-C. Ensuite seulement vous pourrez éteindre la pompe et vider l'eau présente dans le filtre.

Remarque : ce filtre sous pression BioPressure est équipé d'un set de mats filtrants dont la structure permet aux particules de saleté et aux substances en suspension de s'y déposer ce qui contribue au développement de cultures bactériennes utiles pour la filtration mécanique et biologique dans les 6 à 8 semaines suivant la mise en service du filtre. Laissez donc à votre filtre sous pression le temps de développer pleinement ses capacités de filtration sans interrompre totalement ou en partie ce processus.

Mode d'emploi Ubbink BioPressure II -3000/6000/10000/18000



Maintenance et nettoyage

ATTENTION ! Toujours couper l'alimentation électrique de l'appareil UV-C et de la pompe avant toute intervention (premier montage, nettoyage, installation et remplacement de l'ampoule UV-C).

Évacuer la saleté

Le filtre sous pression BioPressure II ne nécessite pratiquement aucun entretien. En fonction du degré d'encrassement de l'eau du bassin, des dépôts d'impuretés peuvent cependant réduire l'effet nettoyant. C'est pourquoi (en fonction du degré d'encrassement), il est conseillé de rincer les dépôts d'impuretés toutes les 2 semaines environ.

1. Si le capuchon (verre) est installé sur l'évacuation des impuretés, retirez-le et raccordez l'embout de tuyau universel noir au tuyau.
2. Tournez le commutateur de fonction (B) en position « mode nettoyage » jusqu'à ce que vous entendiez un léger clic. L'eau sort alors de l'ouverture d'évacuation des impuretés (I).
3. Durant le « mode nettoyage », il est possible d'enfoncer le commutateur de fonction (B) pour légèrement presser les éponges filtrantes sans devoir les sortir de l'appareil. Soyez prudent ! Une pression trop rapide et trop forte peut casser la bague en caoutchouc intérieur.
5. Lorsque l'eau qui s'écoule du filtre est pratiquement claire, tournez à nouveau le commutateur de fonction dans la position « mode filtration ».
6. Vous pouvez maintenant replacer le capuchon (verre) sur l'évacuation des impuretés.

Remarque : Ne lavez/rincez pas entièrement le filtre. Cela détruirait partiellement ou entièrement les cultures bactériennes installées, ce qui réduirait l'efficacité du nettoyage jusqu'au développement de nouvelles cultures.

Nettoyage des éponges filtrantes

Si malgré l'évacuation des impuretés, la pression dans le filtre continue d'augmenter, les éponges filtrantes doivent être rincées. L'indicateur de contrôle (D) sur le haut du couvercle permet de savoir quand il faut nettoyer les éponges filtrantes.

Pression normale La bague orange est en bas/est invisible.
Pression trop élevée La bague orange recouvre le cylindre vert = un nettoyage est nécessaire.

1. Éteignez toujours d'abord l'appareil UV-C intégré et ensuite la pompe.
2. Retirez tous les raccords de tuyau du filtre.
3. Ouvrez et retirez l'étrier de fermeture du filtre (voir fig. 1, 2, 3).
4. Soulevez le couvercle et posez-le sur une surface propre avec la face supérieure vers le bas (voir fig. 4).
5. Retirez le support de filtre supérieur en poussant d'abord légèrement la bague en plastique vers le bas et ensuite en la tournant jusqu'à ce qu'elle se soulève légèrement. Retirez maintenant la première couche d'éponges filtrantes et retirez de la même façon les autres supports de filtre, éponges filtrantes et tubes (voir fig. 5, 6, 7, 8, 9, 10).
6. Pressez et rincez soigneusement les éponges filtrantes à l'eau courante.
7. Retirez la tête du filtre et le couvercle à l'aide d'un tuyau d'arrosage.
8. Remplacez les éponges filtrantes, les supports de filtre et le tube en procédant dans l'ordre inverse. Commencez par une grande éponge filtrante bleue et alternez ensuite les éponges jaunes et bleues.
9. Veillez aux fentes dans les bagues en plastique et les éponges filtrantes afin que les éponges filtrantes soient les plus proches possible les unes des autres. Les espaces ou le basculement des éléments sensiblement compliquer l'assemblage.
10. Placez le couvercle sur le boîtier du filtre et placez ensuite la bague de serrage sur le bord du boîtier du filtre et le couvercle et fermez le filtre (voir installation).

Remplacement de l'ampoule UV-C

L'appareil UV-C intégré dans le filtre BioPressure est équipé d'une ampoule UV-C d'une durée de vie d'env. 8000 heures. Au terme des 8000 heures, le rendement UV-C a tellement diminué que l'ampoule UV-C doit être remplacée. Vous pouvez vous procurer l'ampoule UV-C de rechange nécessaire auprès de votre revendeur Ubbink. Utilisez impérativement une ampoule dont la désignation et la puissance correspondent aux indications sur la plaque signalétique.

- Pour remplacer l'ampoule UV-C, procédez comme suit :
1. Dévissez la poignée et desserrez ensuite les vis du couvercle UV-C qui est fixé sur le filtre (voir fig. 11).
 2. Retirez le couvercle UV-C, retirez prudemment l'ampoule UV-C du culot et installez ensuite prudemment l'ampoule UV-C de rechange. (voir fig. 12, 13, 14)
 3. Remplacez le couvercle UV-C et revissez-le ainsi que la poignée (voir fig. 15, 16).

Attention : Ne pas toucher l'ampoule UV-C à mains nues ! Cela peut endommager l'ampoule.

Nettoyage/remplacement du verre de quartz UV-C

En fonction de la prolifération des algues dans le bassin et du degré d'encrassement de l'eau, le verre de quartz UV-C doit être nettoyé au moins deux à trois fois par an pour le débarrasser des impuretés et des dépôts calcaires.

1. Éteignez toujours d'abord l'appareil UV-C intégré et ensuite la pompe.
2. Pour faciliter la maintenance, nous vous conseillons de vider entièrement le filtre.
3. Retirez le couvercle UV-C comme indiqué au chapitre « Remplacement de l'ampoule UV-C ».
4. Retirez l'ampoule UV-C et sortez ensuite prudemment le verre de quartz UV-C du boîtier.
5. C elui-ci est simplement inséré dans le boîtier et peut être facilement sorti. Une bague en caoutchouc l'empêche de glisser.
5. Nettoyez le verre de quartz UV-C avec de l'eau courante et un chiffon doux.
Attention ! Évitez de rayer le verre de quartz et si possible, ne touchez pas l'ampoule à mains nues. Les rayons UV-C entraînent l'incrustation de la sueur et de la graisse sur l'ampoule ce qui peut réduire la performance de l'appareil UV-C.
6. Rincez le boîtier en plastique dans lequel se trouve le verre de quartz avec de l'eau et séchez le boîtier avant de tout réassembler.
7. Séchez soigneusement le verre de quartz avant de le réinstaller.
8. Remplacez l'ampoule UV-C et refermez le compartiment UV-C en procédant dans l'ordre inverse.
9. Ensuite, mettez toujours d'abord la pompe en marche et ensuite l'appareil UV-C.

Stockage/rangement pour l'hiver

Le filtre sous pression doit être démonté avant les gelées et rangé à l'abri du gel. Mais avant de le ranger, l'appareil doit être soigneusement nettoyé et inspecté afin de détecter d'éventuels dommages.

Mode d'emploi Ubbink BioPressure II -3000/6000/10000/18000



Problèmes et solutions :

Problème	Cause possible	Solution
Après 6 à 8 semaines, vous n'obtenez toujours pas de bons résultats de filtration	Le filtre ne fonctionne pas 24 h/24, il est par ex. éteint la nuit	Le filtre doit fonctionner en continu
	Les matériaux filtrants ont été nettoyés durant les 6-8 premières semaines	Laissez fonctionner le filtre sans le nettoyer durant les 6-8 premières semaines
	L'eau du bassin est extrêmement encrassée	Remplacez l'eau et retirez les algues
	Les valeurs de l'eau ne sont pas en ordre, par ex. pH trop élevé	Testez régulièrement les valeurs de l'eau et corrigez-le le cas échéant
	L'eau du bassin est trop peu oxygénée	Utilisez une pompe à air pour compenser le manque d'oxygène
	Il y a trop d'êtres vivants dans le bassin	Directive : max. 50-70 cm de poissons (longueur totale) par 1000 litres d'eau dans le bassin
	Le filtre ou le verre de quartz UV-C est encrassé	Nettoyez les pièces concernées
Pas de circulation d'eau par l'entrée/la sortie	L'appareil UV-C ne fonctionne pas	L'ampoule UV-C est défectueuse et doit être remplacée Vérifier le raccordement au secteur
	Commutateur « Nettoyage » enclenché	Placer le commutateur sur « Filtration »
	Entrée bouchée	Nettoyez-la

3

Garantie

Tous les filtres BioPressure Ubbink bénéficient d'une garantie de 3 ans contre les défauts de matériel et contre les défauts de fabrication ; cette garantie s'applique dès la date d'achat. Pour faire jouer la garantie, il faut présenter la facture d'origine comme preuve d'achat.

De plus nous accordons sur les filtres BioPressure Ubbink une garantie d'eau clarifiée de 12 mois, vous assurant une eau propre et saine. Cette garantie est valable pour 12 mois à partir de la date d'achat, sous la condition qu'à partir de la 6ème semaine après la mise en service du filtre BioPressure, aucune amélioration ne soit constatée en ce qui concerne le filtrage de l'eau d'étang, en particulier qu'il n'y ait aucune diminution des algues. Pour faire jouer la garantie d'eau clarifiée, Ubbink pose comme condition que le mode d'emploi ait été appliqué et que le système choisi (filtres BioPressure et pompe recommandée) convenait pour l'étang à filtrer.

Ne font pas partie de la garantie :

- Bris de verre et / ou défaut sur la lampe UV-C et / ou le verre de quartz du dispositif UV-C
- Réclamations dont l'origine se fonde sur une erreur d'installation et une erreur d'utilisation, un manque de maintenance, l'influence du froid, des tentatives de réparation non conformes, un recours à la force, la faute d'un tiers, une surcharge ou l'utilisation d'un corps étranger
- ainsi que tous les dégâts partiels dus à l'usure.



Garantie d'eau claire

Notre filtre sous pression BioPressure II est équipé d'un appareil UV-C de qualité supérieure de 11 watts, d'un système spécial de mats filtrants et d'une évacuation intégrée des eaux sales. Cela nous permet d'offrir une garantie d'eau claire pour une eau propre et saine !

Cette garantie est valable 12 mois à compter de la date d'achat.

Conditions pour bénéficier de la garantie d'eau claire :

- le mode d'emploi BioPressure a été respecté et le système adapté (filtre et pompe recommandés) a été choisi pour le bassin à filtrer.
- à partir de la sixième semaine après la mise en service, il n'y a toujours pas de résultat visible pour la filtration de l'eau du bassin et notamment en ce qui concerne l'élimination des algues en suspension (eau verte).

En cas de problème, veuillez contacter votre revendeur.



Protection de l'environnement

Les appareils électriques ne doivent pas être jetés à la poubelle. Veuillez remettre votre appareil usagé à votre point de collecte local. Pour de plus amples renseignements, adressez-vous à votre revendeur ou à l'entreprise de recyclage.

Instrucciones de uso de Ubbink BioPressure II -3000/6000/10000/18000



Estimado cliente:

Enhorabuena por la compra de un producto de la serie de filtros para estanques Ubbink BioBalance de alta calidad. Con las instrucciones de uso recibe una información importante, que es útil para el montaje, la puesta en servicio y el cuidado de su filtro de presión BioPressure. Lea por favor atentamente estas instrucciones de uso antes de la instalación del filtro y familiarícese con el aparato. Observe sin falta las indicaciones de seguridad para su uso correcto y seguro. ¡Conserve por favor estas instrucciones de uso cuidadosamente!

Volumen de suministro

- 1 filtro de presión BioPressure II con dispositivo UV-C integrado
- 1 boquilla de manguera universal de 40-32-25-19mm, transparente
- 2 boquillas de manguera universal de 40-32-25-19mm, negras
- 3 juntas anulares 1 ½"
- 1 anillo roscado con tapa de cierre (vidrio)
- 1 instrucciones de uso

Datos técnicos

BioPressure II	3000	6000	10000	18000
Nº de artículo	1355408	1355409	1355410	1355413
Capacidad del filtro	10 litros	10 litros	15 litros	25 litros
Medio filtrante	esterilla filtrante especial	esterilla filtrante especial	esterilla filtrante especial	esterilla filtrante especial
Carga de presión	max. 0,49 bar	max. 0,49 bar	max. 0,49 bar	max. 0,49 bar
Emisor de UV-C	PL-S 5 W	PL-S 9 W	PL-S 11 W	PL-L 18 W
Tensión de red /frecuencia	230 VAC / 50 Hz	230 VAC / 50 Hz	230 VAC / 50 Hz	230 VAC / 50 Hz
Longitud de cable	4,5 m	4,5 m	4,5 m	4,5 m
Rendimiento de UV-C después de aprox. 5.000 horas.	85%	85%	85%	85%
Nº de artículo de vidrio de cuarzo de UV-C de recambio	1358765	1358766	1358730	1358767
Nº de artículo de lámpara de UV-C de recambio	1355109	1355110	1355112	1355115
Capacidad máx. del estanque	3.000 litros	6.000 litros	10.000 litros	18.000 litros

Símbolos y posibilidades de ajuste



Entrada de agua de la bomba al filtro



Salida de agua del filtro al estanque



Salida de agua en el modo de limpieza



Selector de función "modo de filtrado"



Selector de función "modo de limpieza"



Indicaciones de seguridad

ADVERTENCIA: Los rayos UV son peligrosos para los ojos y la piel. ¡El emisor de UV-C no debe ponerse nunca en funcionamiento si ha sido extraído de la carcasa del aparato!

ATENCIÓN: ¡Este aparato contiene un emisor de UV-C! Un uso accidental del aparato o una carcasa dañada pueden provocar una peligrosa emisión de radiación UV-C. La radiación puede causar también en bajas dosis daños en los ojos y en la piel.

- La alimentación de corriente debe corresponderse con las especificaciones del producto. ¡No conecte el dispositivo de UV-C si la alimentación de corriente no cumple la normativa específica! Puede obtener más información de su electricista autorizado local.
- El circuito eléctrico para el dispositivo de UV-C debe estar asegurado a través del dispositivo de protección de intensidad diferencial-residual (ID o DDR) con una corriente residual nominal de máx. 30 mA.
- ¡Antes de cada intervención (instalación, mantenimiento, etc.) el dispositivo de UV-C debe ser desconectado de la red!
- El filtro de presión, incluido el dispositivo de UV-C no debe ponerse en funcionamiento en ningún caso debajo del agua y debe ser instalado junto al estanque, de manera que quede descartado que pueda desbordarse.
- La instalación del filtro de presión debe realizarse a una distancia de más de 2 m y la conexión a la corriente eléctrica a una distancia de más de 3,5 m del estanque o bien del depósito de agua.

🔌 Instrucciones de uso de Ubbink BioPressure II -3000/6000/10000/18000

- No está permitido abrir el dispositivo de UVC o las piezas correspondientes a no ser que sea indicado expresamente en estas instrucciones de uso. Esto también es válido para las modificaciones técnicas en el dispositivo.
- El dispositivo de UV-C tiene un interruptor de protección que interrumpe automáticamente la alimentación de corriente al abrir el dispositivo.
- El enchufe de red y todos los puntos de conexión deben mantenerse siempre secos. El cable de conexión del dispositivo de UV-C debería tenderse protegido para evitar eventuales daños.
- El filtro de presión no debe ponerse en funcionamiento hasta después de la instalación de todos los componentes y las conexiones de las mangueras.
- Asegúrese de que el dispositivo esté apagado cuando no fluya agua a través del dispositivo.
- El filtro de presión debe ponerse en funcionamiento únicamente con una temperatura del agua de +5 °C a +35 °C.
- ¡No debe ponerse en funcionamiento un dispositivo de UV-C con daños visibles!
- La sustitución del cable de red en el dispositivo de UV-C no es posible. Si se daña el cable el dispositivo de UV-C debe ser eliminado de forma adecuada.
- El filtro de presión no es apropiado para ser usado por personas (incluidos los niños) con capacidades físicas, sensoriales o mentales disminuidas o con falta de experiencia y conocimientos apropiados, a no ser que estén vigiladas por una persona responsable de su seguridad o hayan recibido instrucciones relativas al uso del aparato. Debe vigilarse a los niños para asegurarse de que no juegan con el aparato.

Uso

BioPressure II es un filtro de presión de funcionamiento mecánico/biológico con dispositivo de UV-C integrado para su colocación junto al estanque por encima o por debajo del nivel del agua. El agua filtrada del estanque puede bombearse también a cascadas de agua situadas a un nivel superior. Para obtener resultados visibles con la radiación UV-C el volumen del agua del estanque debería circular completamente al menos una vez dentro de un plazo de 2 horas (estanque con población de peces) o de 4 horas (estanque sin población de peces).



Instalación

¡ATENCIÓN! **¡Antes de cada intervención (montaje inicial, limpieza, montaje y sustitución de la lámpara de UVC, etc.) debe interrumpirse siempre previamente la alimentación de corriente del dispositivo de UVC y de la bomba!**

1. Determine la ubicación del filtro BioPressure (observar las indicaciones de seguridad). El montaje del filtro puede realizarse tanto sobre el terreno como instalado bajo tierra. Al enterrar el filtro BioPressure hasta la altura de la tapa debe prestarse atención a que el filtro se encuentre en posición horizontal y el hueco sea bien compactado con tierra o arena.
2. Insertar la junta anular de goma grande en el borde del bote del filtro. En esto debe tenerse especialmente en cuenta que al colocar la junta anular de goma esta no esté retorcida ni ladeada. Sólo así puede estar seguro de que la tapa pueda colocarse correctamente y posteriormente no existan fugas de agua entre las dos piezas del filtro.

Consejo: Humedezca la junta anular de goma con un poco de agua y colóquela entonces un poco levantada en el borde superior del recipiente del filtro. Mientras presiona la tapa hacia abajo la junta anular de goma se posicionará enrollándose hacia abajo.
3. Presionar la tapa sobre la carcasa del filtro hasta su posición y colocar a continuación el anillo de sujeción sobre el borde de la carcasa del filtro y la tapa y cerrar el filtro.
4. Entrada del filtro (A):
Acortar la boquilla de manguera universal (negra) de forma apropiada para la manguera del estanque y enroscar firmemente en la entrada del filtro. Acortar la manguera del estanque a la longitud necesaria, insertarla en la boquilla de manguera en la bomba y en la entrada del filtro y asegurarla con abrazaderas de manguera. Colocar la bomba en el estanque sobre un fondo firme, libre de barro y arena. Antes de la puesta en funcionamiento de la bomba deben leerse las instrucciones de uso y observarse las indicaciones de seguridad así como los parámetros establecidos relativos a la mínima profundidad de inmersión. En la conexión de las boquillas de manguera deben emplearse las juntas anulares apropiadas.
5. Salida del filtro (J):
Acortar la boquilla de manguera universal transparente de forma apropiada para la manguera del estanque y enroscar firmemente en la salida del filtro. Acortar la manguera del estanque a la longitud necesaria, a continuación insertar un extremo de la manguera en la boquilla de manguera y asegurarla con abrazaderas de manguera. Tender el otro extremo de la manguera de vuelta al estanque hasta la cascada. En la conexión de las boquillas de manguera debe emplearse la junta anular apropiada. En el caso de que el agua filtrada sea conducida directamente de vuelta al estanque, el agua debería verterse en el estanque desde una altura de caída de aproximadamente 15-20 cm.
6. Boquilla de drenaje de la suciedad (I):
Acortar la boquilla de manguera universal negra de forma apropiada para la manguera del estanque y enroscarla firmemente en la boquilla de drenaje de la suciedad. Acortar la manguera del estanque a la longitud necesaria, insertar un extremo de la manguera en la boquilla de manguera y asegurarla con abrazaderas de manguera. Tender el otro extremo de la manguera hasta el otro punto en el que se pretende eliminar el agua sucia. En la conexión de las boquillas de manguera debe emplearse la junta anular apropiada.

Indicación: Para la duración de la operación de filtrado puede cerrar esta boquilla de drenaje también con una tapa. Para ello colocar la tapa de cierre (vidrio) sobre la boquilla de drenaje de la suciedad y enroscar firmemente con el anillo. Conservar la boquilla de manguera con manguera para el posterior "modo de limpieza".

7. Antes de poner en funcionamiento su filtro de presión asegúrese de nuevo que todas las uniones de los cables y las conexiones de las mangueras estén bien apretadas y el filtro con junta esté bien cerrado. En el selector de función (B) deberá estar activada la "función de filtrado".
8. Encender siempre en primer lugar la bomba y controlar que el agua fluya de forma regular a través del filtro de presión y que no existan fugas en el filtro ni en las conexiones de las mangueras. Sólo posteriormente encender el dispositivo de UV-C.
9. Es importante que su filtro de presión esté en funcionamiento de forma ininterrumpida. Únicamente para el mantenimiento y durante el período invernal debería apagarse el filtro completamente. Durante el tiempo de duración de la batería (6-8 semanas) aconsejamos mantener aún el dispositivo de UV-C apagado.
10. Si se desea poner fuera de servicio el filtro de presión (mantenimiento y período invernal) debe apagarse siempre previamente el dispositivo de UV-C. Sólo después apagar la bomba y drenar el agua del filtro.

Indicación: este filtro de presión BioPressure está equipado con un juego de esterillas de filtrado, sobre cuyas estructuras se pueden depositar aquellas partículas de suciedad y sólidos en suspensión que contribuyen a que en un plazo de aproximadamente 6-8 semanas después de la puesta en servicio del filtro se desarrollen y asientan los cultivos de bacterias que son necesarios tanto para el filtrado mecánico como para el biológico. Dele por eso al filtro de presión la oportunidad de desarrollar en ese tiempo plenamente sus propiedades de filtrado, sin que estas sean interrumpidas de forma parcial o completa.

🔌 Instrucciones de uso de Ubbink BioPressure II -3000/6000/10000/18000



Mantenimiento y limpieza

¡ATENCIÓN! **¡Antes de cada intervención (montaje inicial, limpieza, montaje y sustitución de la lámpara de UVC, etc.) debe interrumpirse siempre previamente la alimentación de corriente del dispositivo de UVC y de la bomba!**

Drenaje de la suciedadEl BioPressure II trabaja en gran parte libre de mantenimiento. En función del grado de suciedad del agua del estanque los depósitos de suciedad pueden sin embargo reducir el efecto de limpieza. Por eso deberían enjuagarse los depósitos de suciedad (según el grado de ensuciamiento) aproximadamente cada 2 semanas.

1. Si en la boquilla de drenaje de suciedad estuviera montada la tapa de cierre (vidrio), retírela y conecte para ello la boquilla de manguera universal negra con manguera.
2. Girar el selector de función (B) a la posición de "modo de limpieza" hasta se escuche un ligero clic. El agua fluirá ahora de la abertura para el drenaje de la suciedad (I).
3. Durante el "modo de limpieza" existe la posibilidad de presionar el selector de función (B) hacia abajo para, de esta manera, exprimir ligeramente las esponjas filtrantes sin tener que extraerlas del aparato. ¡Proceda en esto con cuidado! Presionando con excesiva rapidez o fuerza puede romperse el anillo de plástico interno.
5. Cuando fluya agua prácticamente depurada del filtro vuelva a girar el selector de función a la posición "modo de filtrado".
6. Ahora puede volver a montar la tapa de cierre (vidrio) sobre la boquilla de drenaje de la suciedad.

Indicación: No lave/enjuague el filtro completamente. Los cultivos de bacterias establecidos se destruirían parcial hasta totalmente, lo que afectaría a la eficacia de la limpieza hasta el establecimiento de nuevos cultivos.

Limpieza de las esponjas filtrantes

Si a pesar de haber realizado el drenaje de la suciedad sigue aumentando la presión en el filtro, deben lavarse las esponjas filtrantes. Aquí sirve de ayuda el indicador de control (D) en la cara superior de la tapa.

Presión normal el anillo de color naranja aparece abajo/no aparece.
Presión elevada el anillo de color naranja cubre el cilindro verde = es necesario realizar la limpieza

1. Apague siempre en primer lugar el dispositivo de UV-C integrado y a continuación la bomba.
2. Retire las conexiones de las mangueras en el filtro.
3. Abra y retire el estribo de cierre del filtro (ver fig. 1, 2, 3)
4. Levante la tapa y deposítela sobre una superficie limpia, con la cara superior hacia abajo (ver fig. 4).
5. Retire el fondo superior del filtro presionando en primer lugar el anillo de plástico ligeramente hacia abajo, gírelo a continuación un poco, hasta que pueda levantarse fácilmente. Extraiga ahora la primera capa de esponjas filtrantes y retire del mismo modo los otros fondos del filtro, las esponjas filtrantes y tubos (ver fig. 5, 6, 7, 8, 9, 10).
6. Exprima y lave las esponjas filtrantes bien con agua del grifo.
7. Enjuague el recipiente del filtro y la tapa con una manguera de jardín.
8. Vuelva a insertar las esponjas filtrantes, los fondos del filtro y los tubos en orden inverso. Comience con una esponja filtrante azul grande, después alternativamente una amarilla y una azul.
9. Preste atención a los huecos en los anillos de plástico y las esponjas filtrantes para que las esponjas filtrantes estén colocadas muy juntas. Los espacios intermedios o una colocación ladeada pueden dificultar enormemente el montaje.
10. Apretar la tapa sobre la carcasa del filtro situándola en la posición correcta y colocar a continuación el anillo de sujeción sobre el borde de la carcasa del filtro y la tapa y cerrar el filtro (ver instalación).

Sustitución de la lámpara UV-C

El dispositivo de UV-C integrado en el filtro BioPressure está equipado con una lámpara de UV-C de una duración de aproximadamente 8.000 horas de funcionamiento. Después de ese tiempo la potencia de UV-C se ha reducido tanto que la lámpara de UV-C debe ser sustituida. La lámpara de UV-C de recambio está disponible en su distribuidor de Ubbink. Utilice únicamente una lámpara de UV-C cuya denominación y potencia coincida con los datos en la placa de características.

- Efectúe la sustitución de la lámpara de UV-C de la siguiente manera:
1. Desatornille el asa y desenrosque a continuación los tornillos de la tapa del dispositivo de UV-C que está fijada al filtro (ver fig. 11).
 2. Retire la tapa del dispositivo de UV-C, extraiga con cuidado la lámpara de UV-C del portalámparas e inserte después con cuidado la lámpara de UV-C de sustitución (ver fig. 12, 13, 14).
 3. Vuelva a colocar la tapa del dispositivo de UV-C y atornille esta y el asa firmemente (ver fig. 15, 16).

Atención: ¡¡No toque a lámpara de UV-C con las manos desnudas!! Esto podría dañar a la lámpara.

Limpieza / sustitución de vidrio de cuarzo de UV-C

Debería limpiarse la suciedad y los depósitos de cal del vidrio de cuarzo de UV-C al menos dos a tres veces al año, en función del crecimiento de las algas en el estanque así como del grado de ensuciamiento del agua del estanque.

1. Apague siempre en primer lugar el dispositivo de UV-C integrado y a continuación la bomba.
2. Para facilitar el trabajo de mantenimiento aconsejamos vaciar el filtro completamente.
3. Retire la tapa del dispositivo de UV-C como descrito bajo la sustitución de la lámpara de UV-C.
4. Saque la lámpara de UV-C y extraiga a continuación el vidrio de cuarzo de UV-C con cuidado de la carcasa. Este está encajado y puede extraerse sencillamente. Un anillo de goma evita que pueda correrse.
5. Limpie el vidrio de cuarzo de UVC con agua del grifo y con un paño de limpieza suave.
¡Atención! Evite en esto las marcas de arañazos sobre el vidrio de cuarzo y a ser posible no agarre la ampolla de vidrio directamente con las manos. Debido a la radiación de UV-C, el sudor y la grasa se graban sobre la ampolla de vidrio y pueden producir una reducción de la potencia del dispositivo de UV-C.
6. Enjuague la carcasa de plástico en la que está encajado el vidrio de cuarzo de UV-C con agua y seque la carcasa antes del montaje.
7. Seque el vidrio de cuarzo de UV-C minuciosamente antes de volver a encajarlo.
8. Vuelva a insertar la lámpara de UV-C y cierre la sección de UV-C de nuevo en orden inverso.
9. Conectar entonces siempre la bomba en primer lugar y a continuación el dispositivo de UV-C.

Almacenar/invernar

El filtro de presión debe desmontarse en caso de heladas y conservarse protegido contra las heladas. Pero debería realizarse aun previamente una limpieza a fondo y comprobarse la posible existencia de daños.

Instrucciones de uso de Ubbink BioPressure II -3000/6000/10000/18000



Problemas y soluciones:

Problema	Posible causa	Solución
Después de 6 a 8 semanas no se han producido aun resultados positivos de filtrado	El filtro no está en funcionamiento durante las 24 horas del día, es desconectado por ejemplo durante la noche	Dejar funcionar el filtro de forma permanente
	Los medios filtrantes fueron limpiados dentro del plazo de las primeras 6-8 semanas	Dejar funcionar el filtro en las primeras 6-8 semanas sin limpiarlo
	El agua del estanque está extremadamente sucia	Cambie el agua y elimine las algas
	Los valores del agua no son los correctos, por ejemplo un valor pH demasiado alto	Comprobar regularmente los valores del agua y corregirlos si fuera necesario;
	El agua del estanque tiene un nivel de oxígeno excesivamente bajo	Utilización de una bomba aireadora para la compensación de la pérdida de oxígeno
	Se encuentran demasiados seres vivos en el estanque	Directriz: máx. 50-70 cm de pez (longitud total) por cada 1.000 litros de capacidad del estanque
	El filtro o el vidrio de cuarzo de UV-C está sucio	Limpie las piezas correspondientes
El dispositivo de UV-C no funciona	Eventualmente la lámpara de UVC está defectuosa y debe ser sustituida	
	Compruebe la conexión a la red	
Ningún intercambio de agua a través de las entradas/salidas	Selector ajustado en "limpieza"	Situar el selector en "filtrado"
	Entrada atascada	Limpiarla

3

Garantía

Para los filtros BioPressure de Ubbink concedemos una garantía de 3 años para fallos de material y de fabricación, válida a partir de la fecha de adquisición. Para hacer uso de los derechos en base a la garantía es necesario presentar el comprobante original de compra.

Adicionalmente concedemos para los filtros BioPressure de Ubbink una garantía de agua clara y de 12 meses a partir de la fecha de adquisición para agua limpia y sana. Esta garantía tiene validez bajo la condición de que pueda comprobarse que el filtro BioPressure, tras 6 semanas después de su puesta en funcionamiento, no ha tenido éxito en el filtrado del agua del estanque, especialmente en lo relativo a la eliminación de algas flotantes. Para hacer uso de los derechos en base a la garantía de agua clara, Ubbink da por supuesto que se han tenido en cuenta el manual de instrucciones y utilizado el sistema adecuado de filtrado para el estanque en cuestión (filtro BioPressure y bomba recomendados).

La garantía no cubre:

- Roturas de cristal ni lámpara C UV averiada y/o cristal de cuarzo del aparato C UV.
- Reclamaciones cuya causa radice en un montaje o manejo incorrectos, conservación deficiente, heladas, intentos incorrectos de reparación, violencia, culpa de terceros, sobrecarga o cuerpos extraños, así como todos los daños de piezas originados por desgaste.



Garantía de agua depurada

Nuestro filtro de presión BioPressure II está equipado con un dispositivo de UV-C de 11 vatios de alta calidad, un sistema especial de esterillas filtrantes así como un drenaje de agua sucia. ¡Esto nos permite concederles una garantía de agua depurada para agua limpia y saludable!

Esta garantía tiene una validez de 12 meses a partir de la fecha de compra.

Para la ejecución de la garantía suponemos que

- se observaron las instrucciones de uso de BioPressure y se eligió el sistema apropiado (filtro y bomba recomendada) para el estanque a filtrar.
- a partir de la sexta semana después de la puesta en funcionamiento aún no se ha logrado ningún resultado de forma demostrable en el filtrado del agua del estanque, en especial ningún resultado en la descomposición de las algas flotantes (agua verde).

En caso de eventuales problemas consulte por favor a su distribuidor especializado.



Protección del medio ambiente

Aparatos eléctricos viejos no deben echarse a la basura normal. Lleve, por favor, el aparato viejo al lugar existente en su localidad para deponer tales aparatos. Más informaciones al respecto se las facilita la tienda donde haya comprado el aparato o las empresas de reciclaje.

Manual de instruções Ubbink BioPressure II -3000/6000/10000/18000



Estimado(a) Cliente:

Congratulo-lo pela compra de um produto de elevada qualidade da série de filtros de reservatório Ubbink BioBalance. Com as instruções de utilização obtém informações importantes, úteis para a montagem, colocação em funcionamento e conservação do seu filtro de pressão BioPressure. Leia atentamente as instruções de utilização antes da instalação e familiarize-se com o aparelho. Tenha obrigatoriamente em atenção as indicações de segurança para a utilização correta e segura. Conserve estas instruções de utilização!

Volume de fornecimento

- 1 filtro de pressão BioPressure II com aparelho C UV integrado
- 1 terminal de mangueira universal 40-32-25-19mm, transparente
- 2 terminais de mangueira universais 40-32-25-19mm, pretos
- 3 anéis de vedação 1 1/2"
- 1 anel roscado com tampa (vidro)
- 1 manual de instruções

Dados técnicos

BioPressure II	3000	6000	10000	18000
Artigo n.º	1355408	1355409	1355410	1355413
Conteúdo do filtro	10 Litros	10 Litros	15 Litros	25 Litros
Meio de filtragem	Esteira filtrante de vários níveis especial	Esteira filtrante de vários níveis especial	Esteira filtrante de vários níveis especial	Esteira filtrante de vários níveis especial
Carga de pressão	max. 0,49 bar	max. 0,49 bar	max. 0,49 bar	max. 0,49 bar
Radiador C UV	PL-S 5 W	PL-S 9 W	PL-S 11 W	PL-L 18 W
Tensão de rede / Freqüência	230 VAC / 50 Hz	230 VAC / 50 Hz	230 VAC / 50 Hz	230 VAC / 50 Hz
Comprimento do cabo	4,5 m	4,5 m	4,5 m	4,5 m
Potência C UV-C após aprox. 5.000 h	85%	85%	85%	85%
N.º de artigo para substituição vidro de sílica C UV	1358765	1358766	1358730	1358767
N.º de artigo para lâmpada de substituição C UV	1355109	1355110	1355112	1355115
Conteúdo máx. do reservatório	3.000 Litros	6.000 Litros	10.000 Litros	18.000 Litros

Símbolos e possibilidades de ajuste



Entrada de água da bomba até ao filtro



Saída de água do filtro para o reservatório



Saída de água no modo de limpeza



Interruptor de funções "Modo de filtro"



Interruptor de funções "Modo de limpeza"



Indicações de segurança

AVISO: Os raios UV são perigosos para os olhos e a pele. O radiador C UV não pode ser operado se tiver sido retirado da caixa do aparelho!

ATENÇÃO: este aparelho inclui um radiador C UV! A utilização inadvertida do aparelho ou danos na caixa podem ter como consequência a libertação de radiações C UV perigosas. A radiação C UV também pode provocar danos nos olhos e na pele, mesmo numa dosagem reduzida.

- A alimentação energética deve corresponder às especificações do produto. Não ligue o aparelho C UV, caso a alimentação energética não cumpra as prescrições especificadas! Pode obter mais informações junto do seu electricista local reconhecido.
- O circuito energético para o aparelho C UV deve estar protegido com um disjuntor diferencial (FI ou RCD) com uma corrente nominal de corrente de fuga de, no máx. 30 mA.
- Antes de cada intervenção (instalação, manutenção, etc.) o aparelho C UV deve ser desligado da rede!
- O filtro de pressão incl. o aparelho C UV não pode, sob circunstância alguma, ser utilizado imerso em água e deve ser instalado ao lado do reservatório de modo que esteja excluída uma submersão.
- A instalação do filtro de pressão deve ter uma distância superior a 2 m e a ligação energética deve ocorrer a uma distância superior a 3,5 m do reservatório ou tanque de água.
- Não é permitido abrir o aparelho C UV ou as respetivas peças, se isso não for expressamente indicado nestas instruções de utilização. Isso também vigora para alterações técnicas no aparelho.
- O aparelho C UV tem um disjuntor, que ao abrir o aparelho interrompe automaticamente a alimentação energética.

Manual de instruções Ubbink BioPressure II -3000/6000/10000/18000

- A ficha de rede e todos os pontos de ligação devem ser sempre mantidos secos. O cabo de ligação do aparelho C UV deverá ser disposto protegido para evitar eventuais danos.
- O filtro de pressão apenas poderá ser operado após instalação de todos os componentes e ligações da mangueira.
- Garanta que o aparelho está desligado quando não fluir água através do aparelho.
- O filtro de pressão apenas pode ser operado a uma temperatura da água de +5 °C bis +35 °C.
- Um aparelho C UV-C com danos visíveis não pode ser operado!
- Não é possível a substituição do cabo de rede no aparelho C UV. Se o cabo for danificado, o aparelho C UV deve ser eliminado de forma adequada.
- O filtro de pressão não deve ser utilizado por pessoas (incluindo crianças) com capacidades físicas, sensoriais ou intelectuais reduzidas ou falta de experiência ou conhecimentos, exceto se estas estiverem sob vigilância de uma pessoa responsável pela segurança ou se tiverem recebido instruções relativas à utilização do aparelho. As crianças devem ser monitorizadas e deve ser garantido que estas não brinquem com o aparelho.

Utilização

BioPressure II é um filtro de pressão que funciona de forma mecânica/biológica com um aparelho C UV integrado para instalação ao lado do reservatório ou acima e abaixo do nível da água. A água do reservatório filtrada também pode ser bombeada através do filtro de pressão para cascatas a uma altura superior. Para alcançar sucessos visíveis na radiação C UV, a água do reservatório deverá ser recirculada por completo, no mínimo, num período de tempo de 2 horas (reservatório com peixes) ou 4 horas (reservatório sem peixes).



Instalação

ATENÇÃO! Antes de cada intervenção (primeira montagem, limpeza, montagem e substituição da lâmpada UVC, etc.), em primeiro lugar, deve ser sempre interrompida a alimentação energética do aparelho C UV e da bomba!

1. Determine a localização do filtro BioPressure (ter em atenção as indicações de segurança). A montagem do filtro tanto é possível acima do solos como sobre o solo. Durante a escavação para o filtro BioPressure até à altura da tampa ter em atenção que o filtro esteja na horizontal e que seja preenchido com terra ou areia.

2. Inserir o anel de vedação de borracha no rebordo do copo do filtro. Ter obrigatoriamente em atenção que o anel de vedação de borracha durante a inserção não fique torcido ou encravado. Apenas assim pode assegurar que a tampa está colocada corretamente e de que posteriormente não sai água de entre ambas as partes do filtro.

Dica: Humidifique o anel de vedação de borracha com um pouco de água e insira-o a uma altura mais elevada no rebordo superior do recipiente do filtro. Enquanto pressiona a tampa o anel de vedação de borracha rola para baixo para a posição.

3. Pressionar a tampa sobre a caixa do filtro para a posição e de seguida colocar o anel de aperto sobre o rebordo da caixa do filtro e da tampa e fechar o filtro.

4. Entrada de filtro (A):
encurtar o terminal de mangueira universal (preto) adequado à mangueira do reservatório e aparafusar na entrada do filtro.
Encurtar a mangueira do reservatório para o tamanho necessário na bomba e inserir a entrada do filtro nos terminais da mangueira e fixar com abraçadeiras para mangueira.
Colocar a bomba no reservatório sobre uma base sólida isenta de lamas e de areia. Antes da colocação em funcionamento da bomba ler as instruções de utilização e ter em atenção as indicações de segurança, assim como as especificações relativas à profundidade mínima de imersão. Durante a ligação dos terminais da mangueira utilizar os anéis de vedação adequados.

5. Saída de filtro (J):
encurtar o terminal de mangueira universal transparente adequado à mangueira do reservatório e aparafusar na entrada do filtro.
Encurtar a mangueira do reservatório para o tamanho necessário, depois inserir uma extremidade da mangueira no terminal da mesma e fixar com uma abraçadeira para mangueira.
Disponer a outra extremidade da mangueira de volta no reservatório ou até à cascata. Durante a ligação do terminal da mangueira utilizar o anel de vedação adequado. Se a água filtrada for reconduzida diretamente para o reservatório, a água deverá fluir de uma altura de queda de aprox. 15-20 cm para o reservatório.

6. Drenagem de sujidade (I):
encurtar o terminal de mangueira universal preto adequado à mangueira do reservatório e aparafusar na saída de sujidade. Encurtar a mangueira do reservatório para o tamanho necessário, depois inserir uma extremidade da mangueira no terminal da mesma e fixar com uma abraçadeira para mangueira. Disponer a outra extremidade da mangueira para o local no qual a água impura deverá ser eliminada. Durante a ligação do terminal da mangueira utilizar o anel de vedação adequado.

Nota: Durante o tempo de funcionamento do filtro pode fechar essa saída com uma tampa. Para isso aplicar a tampa de fecho (vidro) na saída de sujidade e aparafusar com o anel. Guardar o terminal da mangueira com a mangueira para a posterior «Operação de limpeza».

7. Antes de colocar o seu filtro de pressão em funcionamento, garanta mais uma vez, que todas as ligações do cabo e ligações da mangueira estão corretamente colocadas e que o filtro está bem fechado com a vedação. O interruptor de funções (B) deve estar comutado para «Função de filtração».

8. Ligar sempre em primeiro a bomba e controlar se a água flui de forma uniforme no filtro de pressão e se não existem pontos com fuga no filtro e nas ligações da mangueira. Só depois ligar o aparelho C UV.

9. É importante que o seu filtro de pressão funcione de forma ininterrupta. O filtro apenas deverá ser completamente desligado para a manutenção e durante o período de inverno. Durante o período de desenvolvimento de bactérias (6-8 semanas) recomendamos que ainda mantenha o aparelho desligado

10. Caso o filtro de pressão deva ser colocado fora de funcionamento (manutenção e período de inverno), em primeiro deve ser sempre desligado o aparelho C UV. Só depois deverá desligar a bomba e drenar a água do filtro.

Indicação: este filtro de pressão BioPressure está equipado com um conjunto de esteiras filtrantes, sob cujas estruturas se poderão depositar tais partículas de sujidade e partículas em suspensão que contribuem para o fato de, num período de aprox. 6-8 semanas após colocação em funcionamento do filtro, se desenvolverem e estabelecerem culturas de bactérias, necessárias tanto à filtração mecânica como biológica. Por isso dê ao seu filtro de pressão a possibilidade de desenvolver totalmente as suas características de filtração durante esse período de tempo, sem que estas sejam parcial ou completamente interrompidas.

Manual de instruções Ubbink BioPressure II -3000/6000/10000/18000



Manutenção e limpeza

ATENÇÃO! Antes de cada intervenção (primeira montagem, limpeza, montagem e substituição da lâmpada UVC, etc.), em primeiro lugar, deve ser sempre interrompida a alimentação energética do aparelho C UV e da bomba!

Drenar sujidade

O BioPressure II funciona em grande parte sem necessidade de manutenção. Dependendo do grau de sujidade da água do reservatório as deposições de sujidade podem reduzir o efeito da limpeza. Por esse motivo as deposições de sujidade deveriam ser lavadas aprox. a cada 2 semanas (em função do grau de sujidade).

1. Caso na saída de sujidade esteja montada a tampa de fecho (vidro), remova a mesma e ligue o terminal da mangueira preto com a mangueira no local.
2. Rodar o interruptor de funções (B) para a posição “Modo de limpeza” até ouvir um ligeiro clique. Agora a água irá fluir da abertura para saída de sujidade (I).
3. Durante o “Modo de limpeza” existe a possibilidade de premir o interruptor de funções (B) para baixo, para deste modo comprimir ligeiramente as esponjas do filtro, sem as ter de retirar do aparelho. Proceda com cuidado! Caso comprima demasiado rápido e com demasiada força o anel interior de plástico pode partir.
5. Se sair água limpa do filtro, rode o interruptor de funções de volta para a posição “Modo de filtro”.
6. Agora pode voltar a montar a tampa de fecho (vidro) na saída de sujidade.

Nota: Não lavar/enxaguar o filtro até este ficar sem resíduos. Dessa forma as culturas de bactérias estabelecidas seriam parcial a totalmente destruídas, o que afeta o desempenho da limpeza até ao estabelecimento de novas culturas.

Limpar esponjas de filtro

Se, mesmo apesar da saída de sujidade efetuada, a pressão no filtro continuar a aumentar, as esponjas do filtro devem ser lavadas. O indicador de controlo (D) na parte superior da tampa serve de ajuda.

Pressão normal O anel laranja está em baixo/não é visível.
Pressão aumentada O anel laranja cobre o cilindro verde = é necessária a limpeza.

1. Desligue sempre em primeiro o aparelho C UV integrado e de seguida a bomba
2. Remova todas as ligações de mangueira no filtro
3. Abra e remova a pega do fecho do filtro (ver fig. 1, 2, 3)
4. Levantar a tampa e colocar sobre uma superfície limpa, com a parte de cima virada para baixo (ver fig. 4).
5. Remova o fundo superior do filtro, comprimindo de seguida ligeiramente o anel de plástico para baixo, depois rode um pouco até este se deixar elevar ligeiramente. Agora retire a primeira camada de esponjas do filtro e remova de igual modo os/as outros/as fundos do filtro, esponjas do filtro e tubos (ver fig. 5, 6, 7, 8, 9, 10).
6. Comprima e lave bem as esponjas do filtro com água corrente.
7. Lave o copo e a tampa do filtro com uma mangueira de jardim.
8. Volte a colocar as esponjas do filtro, os fundos do filtro e tubos na sequência inversa. Inicie com uma esponja do filtro azul grande, depois alternadamente amarela e azul.
9. Tenha em atenção as ranhuras nos anéis de plástico e nas esponjas do filtro para que as esponjas fiquem contíguas. Os espaços vazios ou o emperramento podem dificultar consideravelmente a montagem.
10. Pressionar a tampa sobre a caixa do filtro para a posição e de seguida colocar o anel de aperto sobre o rebordo da caixa do filtro e da tampa e fechar o filtro (ver instalação).

Substituir a lâmpada C UV

O aparelho C UV integrado no filtro BioPressure está equipado com uma lâmpada C UV com uma vida útil de aprox. 8.000 horas de serviço. Após esse tempo o desempenho C UV reduziu-se de tal modo que a lâmpada C UV tem de ser substituída. A lâmpada de substituição C UV necessária encontra-se disponível no seu fornecedor Ubbink especializado. Utilize apenas uma lâmpada C UV, cuja designação e potência coincida com as indicações na placa de características.

Para substituição da lâmpada C UV proceda da seguinte forma:

1. Desaparafuse a pega e rode de seguida os parafusos para fora da tampa C UV que se encontra fixa no filtro (ver fig. 11)
2. Remova a tampa C UV, com cuidado retire a lâmpada C UV do suporte e coloque a lâmpada de substituição C UV. (Ver fig. 12, 13, 14)
3. Volte a colocar a tampa C UV e aparafuse a mesma e a pega (ver fig. 15, 16).

Atenção: Não tocar na lâmpada C UV com as mãos desprotegidas!! Isto pode danificar a lâmpada.

Limpar / substituir o vidro de sílica C UV

O vidro de sílica C UV deverá ser limpo, no mínimo, duas a três vezes por ano de sujidade e deposições de calcário, em função do crescimento de algas no reservatório, assim como do grau de sujidade da água do reservatório.

1. Desligue sempre em primeiro o aparelho C UV integrado e de seguida a bomba.
2. Para simplificar o trabalho de manutenção recomendamos o esvaziamento completo do filtro.
3. Remova a tampa C UV como descrito para substituição da lâmpada C UV.
4. Retire a lâmpada C UV e de seguida retire o vidro de sílica C UV com cuidado da caixa. Este está encaixado e pode simplesmente ser puxado. Um anel de borracha evita o deslizamento.
5. Limpe o vidro de sílica C UV com água corrente e um pano de limpeza suave.
Atenção!! Evite vestígios de arranhões no vidro de sílica e, se possível, não toque na lâmpada diretamente com as mãos. Devido à radiação C UV adereem resíduos de solda e gordura à lâmpada que podem ter como consequência uma redução da potência do aparelho C UV.
6. Lave a caixa de plástico, na qual se encontra inserido o vidro de sílica C UV, com água e seque a caixa antes da montagem.
7. Secar com cuidado o vidro de sílica C UV antes de o voltar a colocar.
8. Voltar a colocar a lâmpada C UV e voltar a fechar a secção C UV na sequência inversa.
9. Depois ligar sempre em primeiro a bomba e de seguida o aparelho C UV.

Armazenar / Passar o inverno

O filtro de pressão devem ser eliminado em caso de gelo e ser guardado sem gelo. No entanto, antes disso, deve ser efetuada uma limpeza profunda e o aparelho deve ser verificado quanto a danos.

Manual de instruções Ubbink BioPressure II -3000/6000/10000/18000



Problemas e soluções:

Problema	Possíveis causas	Solução
Após 6 a 8 semanas, ainda não se definiu qualquer resultado de filtragem positivo	Se o filtro não funcionar 24 h diariamente, é por ex. desconectado à noite	Deixar o filtro funcionar permanentemente
	Os meios de filtragem foram limpos dentro das primeiras 6-8 semanas	Deixar o filtro funcionar nas primeiras 6-8 semanas sem limpeza
	A água do reservatório está extremamente suja	Mude a água e remova as algas
	Os valores da água não estão em condições, por ex. valor de PH demasiado elevado	Testar os valores da água com regularidade e, se necessário, corrigir;
	A água do reservatório possui um teor de oxigénio reduzido	Aplicação de uma bomba de ventilação para compensar a perda de oxigénio
	Existem demasiados seres vivos no reservatório	Diretiva: peixe com no máx. 50-70 cm (comprimento total) por 1000 litro do volume do reservatório
	O filtro ou o vidro de sílica C UV está sujo	Limpar as respetivas peças
O aparelho C UV não funciona	A lâmpada C UV está avariada e deve ser substituída	Verifique ligação à rede
		Colocar interruptor em "Filtrar"
Nenhuma mudança da água através das entradas / saídas	Ajustar interruptor para "Limpar"	
	Entrada obstruída	Lavar

3

Garantia

Para os filtros BioPressure-Filter Ubbink, concedemos uma garantia de 3 anos contados a partir da data de aquisição para defeitos declarados de material e de fabrico. Para usufruir dos direitos de garantia, terá que apresentar o original do talão ou da factura como comprovante.

Adicionalmente, concedemos uma garantia de 12 meses para água clara limpa e saudável com os filtros BioPressure. Esta garantia é concedida por 12 meses contados a partir da data de aquisição sob a condição de que a partir da 6ª semana após a colocação do filtro BioPressure em serviço não se tenha registado ainda nenhum sucesso comprovado na filtragem da água do lago sobretudo na redução de algas flutuantes. Para se usufruir dos direitos da garantia de água clara, a Ubbink coloca a pré-condição do seguimento das instruções contidas no manual de instruções bem como a escolha do sistema apropriado (filtro BioPressure e bomba recomendada) para o lago a filtrar.

A garantia não abrange:

- Quebra de vidro ou defeito da lâmpada UV-C e/ou quebra ou defeito do vidro de quartzo do aparelho UV-C.
- Reclamações derivadas de montagem e uso incorrectos, de cuidado insuficiente, de acção de geada, de tentativas de reparação inadequada, de força braquial, de culpa de terceiros, de sobrecarga ou da acção de objectos estranhos bem como danos em peças devidos ao desgaste das mesmas.



Garantia de água limpa

O nosso filtro de pressão BioPressure II está equipado com um aparelho C UV 11 Watt de elevada qualidade, um sistema de esteiras filtrantes especial, assim como uma drenagem de águas residuais integrada. Isto permite-nos garantir-lhe uma garantia de água limpa para uma água limpa e saudável!

Esta garantia é válida durante 12 meses a partir da data da compra.

Para o usufruto da garantia de água limpa partimos do princípio de que

- o manual de instruções da BioPressure foi considerado e o sistema adequado (filtro e bomba recomendada) foi escolhido para o reservatório a filtrar.
- a partir da sexta semana após a colocação em funcionamento comprovadamente ainda não foi alcançado qualquer sucesso na filtragem da água do reservatório, especialmente não na remoção de algas flutuantes (água verde).

Consulte o seu distribuidor especializado relativamente a eventuais problemas que surjam.



Protecção do ambiente

Aparelhos eléctricos usados não devem ser deitados ao lixo doméstico. Por favor, conduza-os aos ecopontos locais. Para mais informações, consulte o seu distribuidor ou o centro de reciclagem da sua zona.

Istruzioni per l'uso Ubbink BioPressure II -3000/6000/10000/18000



Gentile Cliente,

Desideriamo ringraziarvi per l'acquisto di questo prodotto della raffinata serie di filtri per stagni Ubbink BioBalance. All'interno delle istruzioni per l'uso, troverete importanti informazioni utili ai fini del montaggio, della messa in funzione e della manutenzione ordinaria del vostro filtro a pressione BioPressure. Si prega di leggere con attenzione le presenti istruzioni per l'uso prima dell'installazione del filtro e fare pratica con il dispositivo. Attenersi categoricamente alla indicazioni di sicurezza per l'uso corretto e sicuro dello strumento. Vi preghiamo di conservare con cura le presenti istruzioni per l'uso!

Oggetto della fornitura

- 1 filtro a pressione BioPressure II con dispositivo UV-C integrato
- 1 boccola flessibile universale 40-32-25-19mm, trasparente
- 2 boccole flessibili universali 40-32-25-19mm, nere
- 3 anelli di tenuta 1 1/2"
- 1 anello filettato con coperchio di chiusura (vetro)
- 1 copia di istruzioni per l'uso

Dati tecnici

BioPressure II	3000	6000	10000	18000
N° articolo	1355408	1355409	1355410	1355413
Capienza del filtro	10 Litri	10 Litri	15 Litri	25 Litri
Materiale del filtro	Pad filtrante speciale a livelli	Pad filtrante speciale a livelli	Pad filtrante speciale a livelli	Pad filtrante speciale a livelli
Carico di compressione	max. 0,49 bar	max. 0,49 bar	max. 0,49 bar	max. 0,49 bar
Emettitore di raggi UV-C	PL-S 5 W	PL-S 9 W	PL-S 11 W	PL-L 18 W
Tensione di rete / Frequenza	230 VAC / 50 Hz	230 VAC / 50 Hz	230 VAC / 50 Hz	230 VAC / 50 Hz
Lunghezza del cavo	4,5 m	4,5 m	4,5 m	4,5 m
Potenza UV-C dopo ca. 5.000 ore	85%	85%	85%	85%
N° articolo per vetro al quarzo UV-C di ricambio	1358765	1358766	1358730	1358767
N° articolo per lampada UV-C di ricambio	1355109	1355110	1355112	1355115
capienza max. dello stagno	3.000 Litri	6.000 Litri	10.000 Litri	18.000 Litri

Simboli e possibilità di regolazione



Ingresso dell'acqua dalla pompa al filtro



Uscita dell'acqua dal filtro nello stagno



Uscita dell'acqua in modalità di pulizia



Interruttore di funzionamento "Filtraggio"



Interruttore di funzionamento "Pulizia"



Avvertenze di sicurezza

AVVERTIMENTO: I raggi UV sono dannosi per gli occhi e la pelle. L'emettitore di raggi UV-C non deve essere azionato se scollegato dalla scatola di alloggiamento del dispositivo!

ATTENZIONE: questo dispositivo contiene un emettitore di raggi UV-C! Un uso improprio del dispositivo o danni sulla scatola di alloggiamento possono comportare una fuoriuscita di radiazioni UV-C pericolose. Le radiazioni UV-C, anche a basso dosaggio, possono provocare danni agli occhi e alla pelle.

- L'alimentazione elettrica deve essere conforme alle specifiche del prodotto. Non collegare il dispositivo a raggi UV-C se l'alimentazione elettrica non soddisfa le disposizioni specifiche! Ulteriori informazioni possono essere richieste al proprio installatore elettronico locale autorizzato.
- Il circuito elettrico per il dispositivo a UV-C deve essere messo in sicurezza mediante un interruttore differenziale (FI o RCD) con una corrente di guasto nominale pari a max. 30 mA.
- Prima di qualsiasi intervento (installazione, manutenzione, etc.), occorre scollegare il dispositivo a UV-C dalla rete!
- Il filtro a pressione, incl. il dispositivo a UV-C, non deve essere mai essere messo in funzione sotto al livello dell'acqua e deve dunque essere installato vicino allo stagno in modo da escludere uno straripamento dello stesso.
- L'installazione del filtro a pressione deve avvenire a una distanza maggiore di 2 m e l'allacciamento elettrico a una distanza superiore a 3,5 m dal laghetto o dal bacino d'acqua.
- Non è ammesso aprire l'impianto a UVC o i relativi componenti se non espressamente indicato all'interno di queste istruzioni per l'uso. Questo vale anche per le modifiche tecniche al dispositivo.

🕒 Istruzioni per l'uso Ubbink BioPressure II -3000/6000/10000/18000

- Il dispositivo a UV-C presenta un interruttore automatico, che, all'apertura del dispositivo, interrompe automaticamente il flusso di corrente.
- La spina di rete e tutti i punti di collegamento devono sempre rimanere asciutti. Il cavo di collegamento del dispositivo a UV-C dovrebbe essere disposto in modo protetto, per evitare possibili danneggiamenti.
- Il filtro a pressione può essere messo in funzione solo dopo l'installazione di tutti i componenti e i collegamenti flessibili.
- Assicurarsi che il dispositivo sia disattivato quando non scorre acqua al suo interno.
- Il filtro a pressione può essere azionato solo a una temperatura dell'acqua da +5 °C a +35 °C.
- Non mettere in funzione un dispositivo a UV-C in caso di danni evidenti!
- Non è possibile la sostituzione del cavo di rete del dispositivo a UV-C. Se il cavo è danneggiato, occorre smaltire il dispositivo a UV-C in modo professionale.
- Il filtro a pressione non è adatto per l'uso da parte di persone (bambini inclusi) con facoltà fisiche, psichiche o mentali ridotte o che manchino di esperienza e conoscenze specifiche, a meno che queste non siano sorvegliate da persone responsabili della loro sicurezza o non abbiano ricevuto istruzioni relative all'utilizzo del dispositivo. Occorre sorvegliare lo strumento per assicurarsi che i bambini non giochino con esso.

Uso

BioPressure II è un filtro a pressione a funzionamento meccanico/biologico con dispositivo UV-C integrato da installare vicino allo stagno sopra e sotto il livello dell'acqua. Il filtro a pressione può pompare l'acqua dello stagno filtrata anche a cascate sopraelevate. Per ottenere risultati visibili con l'irraggiamento UV-C, l'acqua dello stagno dovrebbe essere fatta circolare completamente almeno una volta nel giro di due ore (stagno con fauna ittica) o quattro ore (stagno senza fauna ittica).



Installazione

ATTENZIONE! Prima di qualsiasi intervento (primo montaggio, installazione, pulizia, sostituzione della lampada a UVC, etc.) occorre sempre prima interrompere l'alimentazione elettrica al dispositivo a UVC e alla pompa!

1. Stabilire la posizione del filtro BioPressure (attenersi alle indicazioni di sicurezza). Il montaggio del filtro è possibile sia in superficie che sotto terra. Durante l'interramento del filtro BioPressure fino all'altezza del coperchio bisogna fare attenzione che il filtro sia orizzontale e che la terra o la sabbia vengano ben compattate sui bordi.
2. Inserire il grande anello di tenuta in gomma nel bordo del fuso del filtro. Nel fare questo prestare assolutamente attenzione che durante l'inserimento l'anello di tenuta in gomma non si storga o inclini. Solo così sarete sicuri che il coperchio possa essere installato correttamente e successivamente non esca dell'acqua tra le due parti del filtro.

Consiglio: Inumidire l'anello di tenuta in gomma con un po' d'acqua e inserirlo leggermente rialzato sul margine superiore del contenitore del filtro. Mentre si preme il coperchio, l'anello di tenuta in gomma scivola verso il basso in posizione.

3. Premere il coperchio in posizione sul corpo del filtro e infine mettere l'anello elastico sul margine del corpo de filtro e del coperchio e chiudere il filtro.
4. Entrata filtro (A):
accorciare la boccola universale (nera) per il flessibile dello stagno a misura e avvitare all'entrata del filtro.
Accorciare il flessibile dello stagno alla lunghezza necessaria, inserirlo nella pompa e all'entrata del filtro sulle relative boccole e fissarlo con morsetti per tubi flessibili. Installare la pompa nello stagno su un terreno compatto, libero da fango e sabbia. Prima della messa in funzione della pompa leggere le istruzioni per l'uso e osservare le indicazioni di sicurezza e le direttive per la profondità minima di immersione. Durante il collegamento delle boccole per i flessibili utilizzare i rispettivi anelli di tenuta.
5. Uscita filtro (J):
accorciare la boccola universale trasparente per il flessibile dello stagno a misura e avvitare all'entrata del filtro.
Accorciare il flessibile dello stagno alla lunghezza necessaria, inserire un'estremità del flessibile nella boccola e fissare con un morsetto per tubi flessibili. Posare nuovamente l'altra estremità del flessibile nello stagno o nella cascata. Durante il collegamento della boccola per i flessibili utilizzare il rispettivo anello di tenuta. Se l'acqua filtrata viene direttamente riconvogliata nello stagno, dovrebbe affluire nello stagno da un'altezza di caduta di ca 15-20 cm.
6. Scarico dello sporco (!):
accorciare la boccola universale nera per il flessibile dello stagno a misura e avvitare allo scarico dello sporco. Accorciare il flessibile dello stagno alla lunghezza necessaria, inserire un'estremità del flessibile nella boccola e fissare con un morsetto per tubi flessibili. Posare l'altra estremità del flessibile nel luogo in cui dovrà essere smaltita l'acqua sporca. Durante il collegamento della boccola per i flessibili utilizzare il rispettivo anello di tenuta.

Avviso: Per la durata del funzionamento del filtro si può chiudere questo scarico anche con un coperchio. A tale fine applicare il coperchio di chiusura (vetro) sullo scarico dello sporco e avvitare con l'anello.
Sollevare la boccola con il flessibile per la successiva "Modalità di pulizia".

7. Prima di mettere in funzione il vostro filtro a pressione, assicuratevi nuovamente che tutti i collegamenti dei cavi e i collegamenti flessibili siano posizionati correttamente e il filtro con la guarnizione sia ben chiuso. L'interruttore di funzionamento (B) deve essere regolato su "Funzione filtro".
8. Per prima cosa avviare sempre la pompa e controllare che l'acqua passi uniformemente attraverso il filtro a pressione e che sul filtro e sui collegamenti flessibili non ci siano punti non a tenuta. Solo successivamente avviare il dispositivo UV-C.
9. È importante che il vostro filtro a pressione sia ininterrottamente in funzione. Il filtro dovrebbe essere completamente disattivato esclusivamente per la manutenzione e durante il periodo invernale. Per la durata dello sviluppo dei batteri (6-8 settimane) consigliamo di lasciare il dispositivo UV-C ancora spento
10. Se il filtro a pressione dovesse essere disattivato (manutenzione e periodo invernale), il dispositivo UV-C deve sempre essere spento per primo. Subito dopo disattivare la pompa e scaricare l'acqua dal filtro.

Avviso: questo filtro a pressione BioPressure è dotato di un set di pad del filtro sulla cui struttura potrebbero depositarsi particelle di sporco e sostanze in sospensione che, nel giro di circa 6-8 settimane dopo la messa in funzione del filtro, contribuiscono allo sviluppo e all'aumento delle colture batteriche, necessarie per il filtraggio meccanico e biologico. Per questo motivo, date al vostro filtro a pressione la possibilità di sviluppare pienamente le sue proprietà filtranti in questo arco di tempo, senza che venga interrotto parzialmente o completamente.

🕒 Istruzioni per l'uso Ubbink BioPressure II -3000/6000/10000/18000



Manutenzione e pulizia

ATTENZIONE! Prima di qualsiasi intervento (primo montaggio, installazione, pulizia, sostituzione della lampada a UVC, etc.) occorre sempre prima interrompere l'alimentazione elettrica al dispositivo a UVC e alla pompa!

Scarico dello sporco

Il BioPressure II funziona in gran parte senza richiedere manutenzione. Però, a seconda del grado di sporco dell'acqua dello stagno, i depositi di sporco possono ridurre l'effetto pulente. Per questo motivo i depositi di sporco (a seconda del grado di impurità) dovrebbero essere puliti circa ogni due settimane.

1. Se il coperchio di chiusura (vetro) è montato sullo scarico dello sporco, rimuoverli e collegare quindi la boccola universale nera.
2. Girare l'interruttore di funzionamento (B) nella posizione "Modalità pulizia", finché non si sente un leggero rumore di scatto. L'acqua ora scorrerà fuori dall'apertura per lo scarico dello sporco (I).
3. Durante il funzionamento in "Modalità pulizia" c'è la possibilità di premere verso il basso l'interruttore di funzionamento (B) per comprimere leggermente le spugne filtranti, senza doverle estrarre dal dispositivo. Procedere con cautela! Con una pressione troppo veloce e potente, l'anello di plastica interno si può rompere.
5. Quando dal filtro esce dell'acqua quasi pulita, girare nuovamente l'interruttore di funzionamento nella posizione "Filtraggio".
6. Ora si può rimontare il coperchio di chiusura (vetro) sullo scarico dello sporco...

Avviso: Si prega di non lavare/risciacquare completamente il filtro. In questo modo le colture batteriche insediate verrebbero parzialmente o totalmente distrutte, cosa che influenza le prestazioni di pulizia fino all'insediamento di nuove colture.

Pulizia delle spugne filtranti

Quando la pressione nel filtro continua ad aumentare, nonostante sia stato eseguito lo scarico dello sporco, le spugne filtranti devono essere lavate. A questo fine è d'aiuto l'indicatore di controllo (D) sulla parte superiore del coperchio.

Pressione normale L'anello arancione è giù/non si vede.
Pressione elevata L'anello arancione copre il cilindro verde = Pulizia necessaria.

1. Per prima cosa spegnere sempre il dispositivo UV-C integrato e successivamente la pompa
2. Rimuovere tutti i collegamenti flessibili sul filtro
3. Aprire e rimuovere la staffa di chiusura del filtro (vedere fig. 1, 2, 3)
4. Sollevare il coperchio e depositarlo su una superficie pulita, con la parte superiore verso il basso (vedere fig. 4).
5. Rimuovere il fondo del filtro superiore, come prima cosa premendo leggermente l'anello di plastica, e poi girando un po' finché non si solleva leggermente verso l'alto. Ora estrarre il primo strato di spugne filtranti e allo stesso modo rimuovere gli altri fondi dei filtri, spugne filtranti e tubi (vedere fig. 5, 6, 7, 8, 9, 10).
6. Comprimere e lavare bene le spugne filtranti con acqua di rubinetto.
7. Sciacquare il fuso del filtro e il coperchio con un flessibile da giardino.
8. Reinserrire le spugne filtranti, i fondi dei filtri e i tubi in ordine inverso. Iniziare con una grande spugna filtrante blu, e poi alternare spugna gialla e blu.
9. Fare attenzione agli spazi liberi negli anelli di plastica e nelle spugne filtranti, affinché queste siano sovrapposte a tenuta. Spazi vuoti o inclinazioni potrebbero rendere il montaggio molto difficoltoso.
10. Premere il coperchio in posizione sul corpo del filtro e infine mettere l'anello elastico sul margine del corpo de filtro e del coperchio e chiudere il filtro (vedere installazione).

Sostituzione della lampada a UV-C

Il dispositivo UV-C integrato nel filtro BioPressure è dotato di una lampada a UV-C, con una durata di circa 8.000 ore di esercizio. Dopo questo tempo la potenza UV-C si è ridotta così tanto che la lampada a UV-C deve essere sostituita. La lampada a UV-C di ricambio necessaria è disponibile presso il vostro rivenditore specializzato Ubbink. Utilizzare solo una lampada a UV-C la cui denominazione e potenza corrispondano alle informazioni sulla targhetta identificativa.

Eseguire la sostituzione della lampada a UV-C come segue:

1. Svitare la maniglia e togliere poi le viti dal coperchio del dispositivo UV-C, fissato al filtro (vedere fig. 11)
2. Togliere il coperchio del dispositivo UV-C, estrarre con cautela la lampada a UV-C dal portalampea e poi inserire con cautela la lampada a UV-C di ricambio. (vedere fig. 12, 13, 14)
3. Riapplicare il coperchio del dispositivo UV-C e avvitare quest'ultimo e la maniglia (vedere fig. 15, 16).

Attenzione: Non toccare la lampada a UV-C a mani nude! Questo può danneggiare la lampada.

Pulizia / sostituzione del vetro di quarzo UV-C

Il vetro di quarzo a UV-C dovrebbe essere pulito dallo sporco e dai depositi di calcare almeno due o tre volte all'anno, a seconda dello sviluppo delle alghe nello stagno e del grado di sporco dell'acqua dello stagno.

1. Per prima cosa spegnere sempre il dispositivo UV-C integrato e successivamente la pompa.
2. Per semplificare l'operazione di manutenzione, consigliamo di svuotare completamente il filtro.
3. Rimuovere il coperchio del dispositivo UV-C come descritto nella sostituzione della lampada a UV-C.
4. Estrarre la lampada a UV-C e successivamente estrarre con cautela il vetro di quarzo a UV-C dall'alloggiamento. Questo è inserito e può essere semplicemente estratto. Un anello in gomma impedisce lo scivolamento.
5. Pulire il vetro di quarzo a UVC con acqua di rubinetto e un panno morbido.
Attenzione!! Facendo questo evitare di produrre graffi sul vetro di quarzo e possibilmente non toccare direttamente con le mani il pistone di vetro. Con i raggi UV-C, il sudore e il grasso vengono impressi sul pistone di vetro e potrebbero avere come conseguenza una riduzione della potenza del dispositivo UV-C.
6. Risciacquare con dell'acqua le boccole in plastica in cui è inserito il vetro di quarzo a UV-C e prima del montaggio asciugare l'alloggiamento.
7. Asciugare con cura il vetro di quarzo a UV-C prima di reinserirlo.
8. Reinserrire la lampada a UV-C e richiudere la sezione UV-C in ordine inverso.
9. Poi avviare sempre prima la pompa e successivamente il dispositivo UV-C.

Stoccaggio/Svernamento

Il filtro a pressione deve essere smontato in caso di gelo e conservato al riparo dal gelo stesso. Prima si dovrebbe comunque eseguire una pulizia di base e controllare la possibile presenza di danni sul dispositivo.

Istruzioni per l'uso Ubbink BioPressure II -3000/6000/10000/18000



Problemi e soluzioni:

Problema	Possibile causa	Soluzione
Dopo 6 - 8 settimane non si presentano ancora risultati di filtraggio positivi	Il filtro non funziona 24 h al giorno, ma si disattiva ad esempio di notte	Lasciare funzionare costantemente il filtro
	I mezzi filtranti sono stati puliti entro le prime 6-8 settimane	Lasciare funzionare il filtro nelle prime 6-8 settimane senza pulizia
	L'acqua dello stagno è estremamente sporca	Cambiare l'acqua e rimuovere le alghe
	I valori dell'acqua non sono corretti, ad es. valore di pH troppo alto	Testare regolarmente i valori dell'acqua e correggerli all'occorrenza;
	L'acqua dello stagno presenta una percentuale di ossigeno troppo bassa	Utilizzo di una pompa con valvola di sfianto per compensare le carenze di ossigeno
	Sono presenti troppe forme di vita nello stagno	Linea guida: pesci di max. 50-70 cm (lunghezza totale) per 1.000 litri di volume dello stagno
	Il filtro o il vetro di quarzo a UV-C è sporco	Pulire le rispettive parti
Nessuno scambio di acqua attraverso ingressi/uscite	Il dispositivo a UV-C non funziona	la lampada a UVC è difettosa e deve essere sostituita all'occorrenza Controllare il collegamento di rete
	Interruttore impostato su "Pulizia"	Interruttore impostato su "Filtraggio"
	Ingresso ostruito	Pulizia

3

Garanzia

Sul filtro BioPressure concediamo una garanzia di 3 anni su eventuali difetti di materiale e produzione, valida a partire dalla data d'acquisto: Per le richieste di garanzia è necessario presentare la ricevuta d'acquisto o lo scontrino di cassa originale.

Inoltre, sul filtro Ubbink BioPressure concediamo una garanzia di acqua chiarificata, pulita e salubre pari a 12 mesi. Questa garanzia è valida per 12 mesi a partire dalla data d'acquisto, a condizione che a partire dalla sesta settimana dopo la messa in servizio del filtro BioPressure non vengano ancora ottenuti alcuni successi dimostrabili nella filtrazione dell'acqua dello stagno, in particolare non nella biodegradazione di alghe sospese. Per ricorrere alla garanzia di acqua chiarificata, la Ubbink presuppone che siano state osservate scrupolosamente le istruzioni per l'uso e che sia stato scelto il sistema adeguato (filtro BioPressure e la pompa raccomandata) per lo stagno da filtrare.

La garanzia non copre:

- la rottura del vetro ovvero difetti della lampada UV-C e/oppure del vetro di quarzo dell'unità UV-C;
- contestazioni, la cui causa sia attribuibile ad errori di montaggio e utilizzo, carenze manutenzione, influsso da gelo, tentativi di riparazione non appropriati, applicazione di forza, colpa altrui, sovraccarico o corpi estranei, nonché tutti i danni ai componenti soggetti alla normale usura.



Garanzia acqua pura

Il nostro filtro a pressione BioPressure II è dotato di un dispositivo di alto livello a raggi UV-C e potenza di 11 watt, di uno speciale sistema a pad filtrante nonché di uno scarico dell'acqua sporca integrato. Questo ci permette di assicurare una garanzia di acqua pura in relazione ad un'acqua sana e pulita!

Questa garanzia vale 12 mesi dalla data di acquisto.

Per ottenere il diritto alla garanzia di acqua pura, si presuppone che

- si siano rispettate le istruzioni per l'uso del BioPressure e sia stato selezionato il sistema adatto (filtro e pompa consigliata) per lo stagno da filtrare.
- a partire dalla sesta settimana dalla messa in funzione si dimostra che non si sono ancora raggiunti risultati di filtraggi positivi dell'acqua dello stagno, in particolare in caso di mancata riduzione delle alghe galleggianti (acqua verde).

Qualora si presentino eventuali problemi, si prega di rivolgersi al proprio rivenditore specializzato.



Tutela ambientale

Le apparecchiature elettriche vecchie non devono essere smaltite nei normali rifiuti urbani. Si prega di smaltire l'apparecchio vecchio presso un centro di raccolta locale. Potere richiedere maggiori informazioni al vostro rivenditore specializzato o impresa di smaltimento.

Οδηγίες χρήσης Ubbink BioPressure II -3000/6000/10000/18000



Αγαπητέ πελάτη,

σας συγχαίρουμε για την αγορά ενός προϊόντος από την σειρά φίλτρων υψηλής ποιότητας για λιμνούλες κήπου Ubbink BioBalance. Οι οδηγίες χρήσης σας παρέχουν σημαντικές πληροφορίες που είναι χρήσιμες για την εγκατάσταση, τη λειτουργία και τη συντήρηση του φίλτρου πίεσης BioPressure. Διαβάστε προσεκτικά τις οδηγίες χρήσης πριν από την εγκατάσταση του φίλτρου και εξοικειωθείτε με τη συσκευή. Λάβετε υπόψη σας τις οδηγίες ασφαλείας για την σωστή και ασφαλή χρήση. Φυλάξτε τις οδηγίες χρήσης με προσοχή!

Παραδοτέος εξοπλισμός

- 1 Φίλτρο πίεσης BioPressure II με ενσωματωμένη συσκευή UV-C
- 1 Γενικής χρήσης σύνδεσμος εύκαμπτου σωλήνα 40-32-25-19mm, διαφανής
- 2 Γενικής χρήσης σύνδεσμος εύκαμπτου σωλήνα 40-32-25-19mm, μαύρος
- 3 Στεγανοποιητικό δακτύλιο 1 1/2"
- 1 Ροδέλα για βίδα με καπάκι σφράγισης (γυαλι)
- 1 Εγχειρίδιο με οδηγίες χρήσης

Τεχνικά στοιχεία

BioPressure II	3000	6000	10000	18000
Αριθ. είδους	1355408	1355409	1355410	1355413
Όγκος φίλτρου	10 Λίτρα	10 Λίτρα	15 Λίτρα	25 Λίτρα
Μέσο φιλτραρίσματος	Ειδικό φίλτρο περισσότερων επιπέδων	Ειδικό φίλτρο περισσότερων επιπέδων	Ειδικό φίλτρο περισσότερων επιπέδων	Ειδικό φίλτρο περισσότερων επιπέδων
Φορτίο πίεσης	max. 0,49 bar	max. 0,49 bar	max. 0,49 bar	max. 0,49 bar
Λάμπα ακτινοβολίας UV-C	PL-S 5 W	PL-S 9 W	PL-S 11 W	PL-L 18 W
Τάση δικτύου / Συχνότητα	230 VAC / 50 Hz	230 VAC / 50 Hz	230 VAC / 50 Hz	230 VAC / 50 Hz
Μήκος καλωδίου	4,5 m	4,5 m	4,5 m	4,5 m
Ισχύς UV-C μετά από περίπου 5.000 ώρες	85%	85%	85%	85%
Αριθ. είδους για UV-C γυαλι χαλαζία αντικατάστασης	1358765	1358766	1358730	1358767
Αριθ. είδους για UV-C Λάμπα αντικατάστασης	1355109	1355110	1355112	1355115
μεγ. όγκος λιμνούλας κήπου	3.000 Λίτρα	6.000 Λίτρα	10.000 Λίτρα	18.000 Λίτρα

Σύμβολα & δυνατότητες ρύθμισης



Στόμιο εισόδου νερού από την αντλία στο φίλτρο



Στόμιο εξόδου από το φίλτρο στη λιμνούλα κήπου



Στόμιο εξόδου νερού στην λειτουργία καθαρισμού



Διακόπτης λειτουργίας «Λειτουργία φίλτρου»



Διακόπτης λειτουργίας «Λειτουργία καθαρισμού»



Οδηγίες ασφαλείας

ΠΡΕΙΔΟΠΟΙΗΣΗ: Οι ακτίνες UV είναι επικίνδυνες για τα μάτια και το δέρμα. Η συσκευή ακτινοβολίας UV-C δεν πρέπει να λειτουργεί όταν έχει αφαιρεθεί από το περίβλημα της συσκευής!

ΠΡΟΣΟΧΗ: Αυτή η συσκευή περιέχει μια συσκευή ακτινοβολίας UV-C! Άσκοπη χρήση της συσκευής ή βλάβη του περιβλήματος μπορεί να έχει ως αποτέλεσμα την έξοδο επικίνδυνης ακτινοβολίας UV-C. Η ακτινοβολία UV-C μπορεί να προκαλέσει βλάβες στα μάτια και το δέρμα ακόμη και σε μικρές δόσεις.

- Η παροχή ηλεκτρικού ρεύματος πρέπει να συμφορώνεται με τις προδιαγραφές του προϊόντος. Μη συνδέετε τη συσκευή UV-C αν η παροχή ηλεκτρικού ρεύματος δεν πληροί τις καθορισμένες ρυθμίσεις! Περισσότερες πληροφορίες μπορείτε να ζητήσετε από τον τοπικό αναγνωρισμένο ηλεκτρολόγο σας.
- Το κύκλωμα της συσκευής UV-C πρέπει να προστατεύεται μέσω μια συσκευής διαρροής ρεύματος (FI ή RCD) με εκτιμώμενη διαρροή ρεύματος μεγ. 30 mA.
- Πριν από κάθε παρέμβαση (εγκατάσταση, συντήρηση κλπ) η συσκευή UV-C αποσυνδέεται από το ηλεκτρικό δίκτυο!
- Το φίλτρο πίεσης συμπερ. της συσκευής UV-C δεν πρέπει να λειτουργήσει κάτω από το νερό και πρέπει να εγκατασταθεί δίπλα στη λιμνούλα κήπου με τέτοιο τρόπο ώστε να αποκλείεται η υπερχείλιση.
- Η εγκατάσταση του φίλτρου πίεσης πρέπει να είναι βρισκείται σε απόσταση άνω των 2 μέτρων και η ηλεκτρική σύνδεση σε απόσταση άνω των 3,5 μέτρων από την λιμνούλα κήπου ή τη δεξαμενή νερού.

Οδηγίες χρήσης Ubbink BioPressure II -3000/6000/10000/18000

- Δεν επιτρέπεται να ανοίξετε τη συσκευή UVC ή τα σχετικά μέρη όταν δεν επισημαίνεται ρητώς στις οδηγίες χρήσης. Αυτό ισχύει επίσης και για τεχνικές τροποποιήσεις στη συσκευή.
- Η συσκευή UV-C έχει ένα διακόπτη προστασίας ο οποίος διακόπτει αυτόματα την παροχή ηλεκτρικού ρεύματος κατά το άνοιγμα της συσκευής.
- Το βύσμα τροφοδοσίας και όλα τα σημεία σύνδεσης πρέπει να διατηρούνται πάντα στεγνά. Το καλώδιο σύνδεσης της συσκευής UV-C πρέπει να είναι προστατευμένο για την αποφυγή θραύρας.
- Το φίλτρο πίεσης μπορεί να τεθεί σε λειτουργία μόνο μετά την εγκατάσταση όλων των μερών και του εύκαμπτου σωλήνα.
- Βεβαιωθείτε ότι η συσκευή είναι απενεργοποιημένη όταν δεν κυκλοφορεί νερό μέσω της συσκευής.
- Το φίλτρο πίεσης επιτρέπεται να λειτουργεί μόνο σε θερμοκρασία νερού από +5 °C έως +35 °C.
- Μια συσκευή UV-C με εμφανείς βλάβες δεν πρέπει να τίθεται σε λειτουργία!
- Η αλλαγή του καλωδίου δικτύου στη συσκευή UV-C δεν είναι δυνατή. Όταν το καλώδιο είναι κατεστραμμένο η συσκευή UV-C πρέπει να αποριφθεί καταλλήλως.
- Το φίλτρο πίεσης δεν είναι κατάλληλο για χρήση από άτομα (συμπεριλαμβανομένων των παιδιών) με μειωμένες σωματικές, αισθητηριακές ή πνευματική ικανότητες ή έλλειψη εμπειρίας και γνώσεων, εκτός εάν είναι υπό την επίβλεψη ενός υπεύθυνου για την ασφαλεία τους ατόμου ή αν λάβουν οδηγίες σχετικά με τη χρήση της συσκευής. Τα παιδιά πρέπει να είναι υπό επίτηρηση, ώστε να εξασφαλιστεί ότι δεν παίζουν με τη συσκευή.

Χρήση

Το BioPressure II είναι ένα φίλτρο πίεσης που εργάζεται μηχανικά/βιολογικά με ολοκληρωμένη συσκευή UV-C για τοποθέτηση δίπλα στη λιμνούλα κήπου επάνω και κάτω από τη στάθμη του νερού. Το φιλτραρισμένο νερό της λιμνούλας κήπου μπορεί να αντληθεί μέσω του φίλτρου πίεσης και σε καταρράκτες που βρίσκονται σε υψηλότερο σημείο. Για να έχετε ορατά αποτελέσματα κατά την UV-C ακτινοβολία θα πρέπει το νερό της λιμνούλας να αλλαχθεί εντελώς τουλάχιστον μία φορά, εντός 2 ωρών (λιμνούλα με ψάρια) ή 4 ωρών (λιμνούλα χωρίς ψάρια).



Εγκατάσταση

ΠΡΟΣΟΧΗ! **Πριν από κάθε παρέμβαση (πρώτη συναρμολόγηση, καθαρισμός, εγκατάσταση και αλλαγή του λαμπτήρα UVC κλπ) πρέπει πρώτα να διακοπεί η παροχή ρεύματος της συσκευής UVC και της αντλίας!**

- Καθορίστε τη θέση του φίλτρου BioPressure (ακολουθήστε τις οδηγίες ασφαλείας). Το φίλτρο μπορεί να τοποθετηθεί τόσο υπέργεια όσο και ενσωματωμένο στο έδαφος. Όταν θάβετε το φίλτρο μέχρι το ύψος του καπακιού πρέπει να βεβαιωθείτε ότι το φίλτρο είναι σε οριζόντια θέση και ότι έχει γεμιστεί καλά με χυμιά ή άμμο.

- Τοποθετήστε τον μεγάλο ελαστικό δακτύλιο στεγανοποίησης στο γέιλος του πάματος του φίλτρου. Πρέπει οπωσδήποτε να βεβαιωθείτε ότι κατά την τοποθέτηση ο ελαστικός δακτύλιος στεγανοποίησης δεν έχει στραβώσει και δεν έχει λυγίσει. Μόνο έτσι μπορείτε να είστε σίγουροι ότι το καπάκι μπορεί να τοποθετηθεί σωστά και δεν θα διαφεύγει νερό ανάμεσα στα δύο μέρη του φίλτρου.

Συμβουλή: Βρέξτε τον ελαστικό δακτύλιο στεγανοποίησης με λίγο νερό και τοποθετήστε τον σχετικά ψηλά, στο επάνω γέιλος του δοχείου του φίλτρου. Όταν πιέζετε το καπάκι στρίβει ο ελαστικός δακτύλιος στεγανοποίησης προς τα κάτω στη θέση του.

- Πιέστε το καπάκι που βρίσκεται στο περίβλημα του φίλτρου στη θέση του και στη συνέχεια τοποθετήστε τον δακτύλιο σύσφιξης στο γέιλος του δοχείου του φίλτρου και του καπακιού και κλείστε το φίλτρο.

- Είσοδος φίλτρου (A): Κόψτε τον σύνδεσμο σωλήνα γενικής χρήσης (μαύρο) που ταιριάζει στο σωλήνα της λιμνούλας κήπου και βιδώστε τον σφικτά στην είσοδο του φίλτρου. Κόψτε τον σωλήνα της λιμνούλας στο απαιτούμενο μήκος, τοποθετήστε τον στην αντλία και στο φίλτρο εισόδου στον σύνδεσμο σωλήνα και ασφαλίστε με σφικητήρες σωλήνα. Τοποθετήτε την αντλία στη λιμνούλα κήπου σε σταθερό έδαφος, χωρίς λάσπη και άμμο. Πριν από την έναρξη λειτουργίας της αντλίας διαβάζετε τις οδηγίες χρήσης και τις οδηγίες ασφαλείας και ακολουθήστε τις απαιτήσεις για την ελάχιστη βύθιση. Κατά τη σύνδεση των συνδεδόμων σωλήνα χρησιμοποιήστε τους αντίστοιχους στεγανοποιητικούς δακτύλιους.

- Έξοδος φίλτρου (J): Κόψτε τον διαφανή σύνδεσμο σωλήνα γενικής χρήσης που ταιριάζει στον σωλήνα της λιμνούλας και βιδώστε τον σφικτά στην έξοδο του φίλτρου. Κόψτε τον σωλήνα της λιμνούλας στο απαιτούμενο μήκος, τοποθετήστε το άκρο του σωλήνα στον σύνδεσμο σωλήνα και ασφαλίστε με έναν σφικητήρα σωλήνα. Τοποθετήστε το άλλο άκρο του σωλήνα πίσω στη λιμνούλα κήπου ή στον καταρράκτη. Κατά τη σύνδεση του συνδέσμου σωλήνα χρησιμοποιήστε τον αντίστοιχο στεγανοποιητικό δακτύλιο. Εάν το φιλτραρισμένο νερό επιστρέφεται απευθείας στη λιμνούλα κήπου το νερό θα πρέπει να ρέει στην λιμνούλα από ένα ύψος περίπου 15-20 εκατοστών.

- Έξοδος λυμάτων (I): Κόψτε τον μαύρο σύνδεσμο σωλήνα γενικής χρήσης που ταιριάζει στον σωλήνα της λιμνούλας και βιδώστε τον σφικτά στην έξοδο λυμάτων. Κόψτε τον σωλήνα της λιμνούλας στο απαιτούμενο μήκος, τοποθετήστε ένα άκρο του σωλήνα στον σύνδεσμο σωλήνα και ασφαλίστε με έναν σφικητήρα σωλήνα. Τοποθετήστε το άλλο άκρο του σωλήνα στη θέση από όπου θα πρέπει να απορρίπτονται τα λύματα. Κατά τη σύνδεση του συνδέσμου σωλήνα χρησιμοποιήστε τον αντίστοιχο στεγανοποιητικό δακτύλιο.

Σημείωση: Για τη διάρκεια της λειτουργίας του φίλτρου μπορείτε να κλείσετε αυτή την έξοδο και με ένα καπάκι. Για το λόγο αυτό τοποθετήστε το καπάκι (γυαλί) στην έξοδο των αποβλήτων και σφίξτε με τον δακτύλιο. Σφραγίστε τον σύνδεσμο με σωλήνα για την μεταγενέστερη «λειτουργία καθαρισμού».

- Πριν θέσετε σε λειτουργία το φίλτρο πίεσης, βεβαιωθείτε πάλι ότι όλες οι κωλωδιακές συνδέσεις και οι συνδέσεις του σωλήνα είναι σωστές και ότι το φίλτρο πίεση είναι καλά σφραγισμένο. Ο διακόπτης λειτουργίας (B) θα πρέπει να βρίσκεται στη θέση «λειτουργία φίλτρου».

- Να ενεργοποιείτε πάντα πρώτα την αντλία και να ελέγχετε ότι το νερό ρέει ομοιόμορφα μέσα από το φίλτρο πίεσης και δεν παρουσιάζονται σημεία διαρροής στο φίλτρο και τις συνδέσεις του σωλήνα. Στη συνέχεια μπορείτε να ανοίξετε την συσκευή UV-C.

- Είναι σημαντικό το φίλτρο πίεσής σας να λειτουργεί χωρίς διακοπή. Μόνο για τη συντήρηση και κατά τη διάρκεια της χειμερινής περιόδου το φίλτρο πρέπει να απενεργοποιηθεί εντελώς. Για τη διάρκεια της ανάπτυξης βακτηρίδιών (6-8 εβδομάδες) συνιστούμε η συσκευή UV-C να παραμένει απενεργοποιημένη.

- Σε περίπτωση που το φίλτρο πίεσης τεθεί εκτός λειτουργίας (συντήρηση και χειμερινή περίοδος) θα πρέπει πάντα να απενεργοποιηθεί πρώτα η συσκευή UV-C. Στην συνέχεια ενεργοποιήστε την αντλία και αποστραγγίστε το νερό από το φίλτρο.

Σημείωση: αυτό το φίλτρο πίεσης BioPressure είναι εξοπλισμένο με ένα σετ με σχάρες φίλτρου στις δομές των οποίων συγκρατούνται σωματίδια ξένων ουσιών και αιωρούμενες ουσίες οι οποίες διασφαλίζουν ότι εντός 6-8 εβδομάδων μετά την έναρξη λειτουργίας του φίλτρου αναπτύσσονται και αυξάνονται οι βακτηριακές καλλιέργειες, οι οποίες είναι αναγκαίες τόσο για το μηχανικό όσο και για το βιολογικό φιλτράρισμα. Συνεπώς δώστε σε αυτό το χρονικό διάστημα στο φίλτρο πίεσης την δυνατότητα να αναπτύξει πλήρως ιδιαιτερες διήθησης, χωρίς αυτή να διακοπεί μερικώς ή πλήρως.

Οδηγίες χρήσης Ubbink BioPressure II -3000/6000/10000/18000



ΠΡΟΣΟΧΗ! **Πριν από κάθε παρέμβαση (πρώτη συναρμολόγηση, καθαρισμός, εγκατάσταση και αλλαγή του λαμπτήρα UVC κλπ) πρέπει πρώτα να διακοπεί η παροχή ρεύματος της συσκευής UVC και της αντλίας!**

Εκκένωση λυμάτων

Το BioPressure II λειτουργεί ως επί το πλείστον χωρίς συντήρηση. Ανάλογα όμως με το βαθμό ρύπανσης του νερού της λιμνούλας τα υπολείμματα ρύπων μπορούν να ελαττώσουν το αποτέλεσμα καθαρισμού. Για αυτό το λόγο θα πρέπει (ανάλογα με το βαθμό της ρύπανσης) να ξεπλύνετε τα υπολείμματα ρύπων περίπου κάθε 2 εβδομάδες.

- Αν στην έξοδο αποβλήτων έχει τοποθετηθεί το καπάκι (γυαλί), αφαιρέστε το και κλείστε τον μαύρο σύνδεσμο σωλήνα γενικής χρήσης με εύκαμπτο σωλήνα.
- Γυρίστε τον διακόπτη λειτουργίας (B) στη θέση «Λειτουργία καθαρισμού» μέχρι ένα ακουστεί ένα ελαφρό κλικ. Το νερό θα ρέει προς το άνοιγμα για την εκκένωση των λυμάτων (I).
- Κατά τη διάρκεια της «Λειτουργίας καθαρισμού» υπάρχει η δυνατότητα να πιέσετε τον διακόπτη λειτουργίας (B) προς τα κάτω για να συμπιέσετε ελαφρά με αυτό τον τρόπο τα σφουγγάρια του φίλτρου, χωρίς να χρειάζεται να τα αφαιρέσετε από τη συσκευή. Ενεργήστε με προσοχή! Η γρήγορη και ισχυρή πίεση μπορεί να σπάσει τον εσωτερικό πλαστικό δακτύλιο.
- Όταν τρέχει σχεδόν καθαρό νερό από το φίλτρο γυρίστε το διακόπτη λειτουργίας πίσω στη θέση «λειτουργία φίλτρου».
- Τώρα μπορείτε να τοποθετήσετε και πάλι το καπάκι (γυαλί) στην έξοδο των λυμάτων.

Σημείωση: Μην πλένετε/ξεπλύνετε το φίλτρο εντελώς. Οι εγκατεστημένες βακτηριακές καλλιέργειες θα καταστραφούν εν μέρει ή πλήρως, με αποτέλεσμα η λειτουργία καθαρισμού να περιοριστεί την εγκατάσταση νέων καλλιεργειών.

Καθαρισμός των σφουγγαριών του φίλτρου

Όταν παρά την διεξαγωγή της εκκένωσης των λυμάτων η πίεση στο φίλτρο αυξάνεται περαιτέρω, πρέπει να πλυθούν τα σφουγγάρια του φίλτρου. Ως βοήθημα εξυπηρετεί η ενδεικτική λυχνία (D) στην κορυφή του καπακιού.

Κανονική πίεση ο πορτοκαλί δακτύλιος είναι κάτω/δεν φαίνεται.
Αυξημένη πίεση ο πορτοκαλί δακτύλιος καλύπτει τον πράσινο κύλινδρο = απαιτείται καθαρισμός.

- Απενεργοποιήστε πάντα πρώτα την ενσωματωμένη συσκευή UV-C και στη συνέχεια την αντλία.
- Αφαιρέστε όλες τις συνδέσεις του εύκαμπτου σωλήνα στο φίλτρο.
- Ανοίξτε και αφαιρέστε το κλείστρο του φίλτρου (δείτε εικ. 1, 2, 3)
- Σηκώστε το καπάκι και τοποθετήστε το σε μια καθαρή επιφάνεια με την επάνω πλευρά προς τα κάτω (δείτε εικ. 4).
- Αφαιρέστε την επάνω πλάκα του φίλτρου πιέζοντας ελαφρά προς τα κάτω τον πλαστικό δακτύλιο, στη συνέχεια στρίψτε λίγο μέχρι να μπορεί να σηκωθεί με ευκολία προς τα πάνω. Αφαιρέστε το πρώτο στρώμα των σφουγγαριών του φίλτρου και με τον ίδιο τρόπο απομακρύνετε τους άλλους πάτους φίλτρου, τα σφουγγάρια φίλτρου και τους σωλήνες (δείτε εικ. 5, 6, 7, 8, 9, 10).
- Πιέστε και πλύνετε καλά τα σφουγγάρια φίλτρου με νερό βρύσης.
- Ξεπλύνετε το δοχείο φίλτρου και το καπάκι με ένα λάστρο κήπου.
- Τοποθετήστε ξανά τα σφουγγάρια του φίλτρου, τους πάτους του φίλτρου και τους σωλήνες με την αντίστροφη σειρά. Ξεκινήστε με ένα μεγάλο μπλε σφουγγάρι φίλτρου, στη συνέχεια εναλλάξ κίτρινο και μπλε.
- Προσέξτε κατά την τοποθέτηση στους πλαστικούς δακτύλιους και τα σφουγγάρια φίλτρου έτσι ώστε τα σφουγγάρια του φίλτρου να είναι κοντά το ένα στο άλλο. Κενά ή κλίσεις μπορούν να δυσκολέψουν σημαντικά την συναρμολόγηση.
- Πιέστε το καπάκι στο περίβλημα του φίλτρου στη θέση του και στη συνέχεια τοποθετήστε τον δακτύλιο σύσφιξης στο γέιλος του δοχείου του φίλτρου και του καπακιού και κλείστε το φίλτρο (δείτε Εγκατάσταση).

Αντικατάσταση του λαμπτήρα UV-C

Η ενσωματωμένη συσκευή UV-C στο φίλτρο BioPressure είναι εφοδιασμένη με έναν λαμπτήρα UV-C με διάρκεια ζωής περίπου 8.000 ωρών λειτουργίας. Μετά από αυτό το χρονικό διάστημα η ισχύς UV-C έχει μειωθεί τόσο ώστε να πρέπει να αντικατασταθεί ο λαμπτήρας UV-C. Ο απαιτούμενος UV-C λαμπτήρας αντικατάστασης είναι διαθέσιμος στον Ubbink αντιπροσωπώ σας. Χρησιμοποιείτε μόνο έναν λαμπτήρα UV-C του οποίου η περιγραφή και η ισχύς συμφωνούν με τα στοιχεία που αναγράφονται στην πινακίδα στοιχείων.

Πραγματοποιήστε την αντικατάσταση του λαμπτήρα UV-C ως εξής:

- Ξεβιδώστε τη λαβή και στη συνέχεια ξεβιδώστε τις βίδες από το κάλυμμα UV-C, το οποίο είναι στερεωμένο στο φίλτρο (δείτε εικ. 11)
- Αφαιρέστε το καπάκι UV-C, τραβήξτε τον λαμπτήρα UV-C προσεκτικά έξω από την υποδοχή και στη συνέχεια τοποθετήστε προσεκτικά τον UV-C λαμπτήρα αντικατάστασης, (δείτε εικ. 12, 13, 14)
- Επανατοποθετήστε το κάλυμμα UV-C και βιδώστε σταθερά αυτό και τη λαβή (δείτε εικ. 15, 16).

Προσοχή: **Μην αγγίζετε τον λαμπτήρα UV-C με γυμνά χέρια!! Αυτό μπορεί να προκαλέσει βλάβη στο λαμπτήρα.**

Καθαρισμός/αντικατάσταση του γυαλιού χαλαζία UV-C

Το γυαλί χαλαζία UV-C πρέπει να καθαρίζεται τουλάχιστον δύο έως τρεις φορές τον χρόνο από την βρωμιά και τα υπολείμματα αλάτων, ανάλογα με την ανάπτυξη άλγεων στη λιμνούλα κήπου καθώς και το βαθμό ρύπανσης του νερού της λιμνούλας.

- Απενεργοποιήστε πάντα πρώτα την ενσωματωμένη συσκευή UV-C και στη συνέχεια την αντλία.
- Για να απλοποιηθεί το έργο συντήρησής σας προτείνουμε να αδειάζετε το φίλτρο εντελώς.
- Αφαιρέστε το UV-C καπάκι όπως περιγράφεται στην αντικατάσταση του λαμπτήρα UV-C.
- Βγάλτε τον λαμπτήρα UV-C και αφαιρέστε με προσοχή το γυαλί χαλαζία UV-C από το περίβλημα. Αυτό είναι συνδεδεμένο και μπορεί εύκολα να τραβηχτεί προς τα έξω. Ο ελαστικός δακτύλιος αποτρέπει την ολισθήση. Καθαρίστε το γυαλί χαλαζία UV-C με νερό βρύσης και ένα μαλακό πανί καθαρισμού.
- Προσοχή!!** Αποφύγετε τις γρατσουνιές στο γυαλί χαλαζία και μην πιάνετε το γυάλινο φούσγιο απευθείας με τα χέρια σας. Μέσω της UV-C ακτινοβολίας καίγεται ιδρώτας και λίπος στο γυάλινο φούσγιο και αυτό μπορεί να έχει ως αποτέλεσμα την μείωση της ισχύος της συσκευής UV-C.
- Ξεπλύνετε το πλαστικό περίβλημα, μέσα στο οποίο βρίσκεται το γυαλί χαλαζία UV-C με νερό και στεγνώστε το περίβλημα πριν από τη συναρμολόγηση.
- Στεγνώστε προσεκτικά το γυαλί χαλαζία UV-C πριν το επανατοποθετήσετε.
- Τοποθετήστε ξανά τον λαμπτήρα UV-C και κλείστε το τμήμα UV-C με αντίστροφη σειρά.
- Ενεργοποιήστε πάντα πρώτα την αντλία και στη συνέχεια την συσκευή UV-C.

Αποθήκευση/Χειμερινή περίοδος

Σε περίπτωση παγετού πρέπει να αφαιρέσετε το φίλτρο και να το φυλάξετε μακριά από τον παγετό. Πριν από αυτό όμως πρέπει να πραγματοποιηθεί βαθύς καθαρισμός και να ελεγχθεί η συσκευή για ζημιές.

GR Οδηγίες χρήσης Ubbink BioPressure II -3000/6000/10000/18000



Προβλήματα και λύσεις:

Πρόβλημα	Πιθανή αιτία	Λύση
Μετά από 6-8 εβδομάδες δεν έχετε διαπιστώσει ακόμα θετικά αποτελέσματα φιλτραρίσματος	Το φίλτρο δεν λειτουργεί 24 ώρες την ημέρα, για παράδειγμα απενεργοποιείται τη νύχτα	Αφήστε το φίλτρο να λειτουργεί συνεχώς
	Τα μέσα του φίλτρου καθαρίστηκαν εντός των πρώτων 6-8 εβδομάδων	Αφήστε το φίλτρο να λειτουργεί χωρίς καθαρισμό κατά τις πρώτες 6-8 εβδομάδες
	Το νερό της λιμνούλας κίπου είναι εξαιρετικά βρώμικο	Αλλάξτε το νερό και αφαιρέστε τα άλαη
	Οι τιμές του νερού δεν είναι σωστές π.χ. πολύ υψηλές τιμές pH	Ελέγχετε τακτικά τις τιμές του νερού και αν χρειαστεί διορθώστε
	Το νερό της λιμνούλας κίπου έχει πολύ χαμηλή περιεκτικότητα οξυγόνου	Εγκαταστήστε μια αντλία αέρα για να αντισταθμίσει την απώλεια οξυγόνου
	Υπάρχουν πάρα πολλοί ζωντανοί οργανισμοί στη λιμνούλα	Οδηγία: μεγ. ψάρια 50-70 εκατ. (συνολικό μήκος) ανά 1.000 λίτρα όγκου λιμνούλας
Το φίλτρο ή το γυαλί χαλαζία UV-C είναι λερωμένο	Καθαρίστε τα αντίστοιχα μέρη	
Η συσκευή UV-C δεν λειτουργεί	Ο λαμπτήρας UVC πιθανόν έχει βλάβη και πρέπει να αντικατασταθεί	
	Ελέγξτε το βύσμα τροφοδοσίας	
Δεν γίνεται ανταλλαγή νερού μέσω των οδών εισόδου/εξόδου	Ο διακόπτης βρίσκεται στη θέση «Καθαρισμός»	Γυρίστε τον διακόπτη στη θέση «Φιλτράρισμα»
	Η είσοδος είναι μπλοκαρισμένη	Καθαρίστε

3

Garanti

Πά Ubbink BioPressure-filter yder vi en garanti på 3 år på materiale- og fabriktionsfej, der gælder fra købsdato. For at kunne gøre brug af garantien skal det originale købebilag fremlægges som købebevis.

Yderligere yder vi på Ubbink BioPressure-filtre en 12 måneders klarvandsgaranti for klart og sundt vand. Denne garanti er gyldig i 12 måneder fra købsdato, under den betingelse, at der fra den 6. uge efter ibrugtagning af BioPressure-filtret stadig ikke er opnået nogen påviselig succes ved filtrering af bassinvandet, i særdeles ikke ved nedbrydning af svævealger. For at kunne gøre brug af klarvandsgarantien forudsætter Ubbink, at brugsanvisningen er blevet fuldt, og at det passende system (BioPressure-filter og anbefalet pumpe) er blevet udvalgt til bassinet der skal filtreres.

Ikke omfattet af garantien er:

- Glasbrud hhv. defekt UV-C-lampe og/eller kvartsglasset på UV-C-apparatet
- Reklamationer, hvis årsag der stammer fra monterings- og betjeningsfej, manglende pleje, frostpåvirkning, usagkyndige reparationsforsøg, vold, fremmedskyld, overbelastning, eller fremmedlegemer, samt alle deleskader som følge af slitage.



Εγγύηση καθαρού νερού

Το φίλτρο πίεσης BioPressure II είναι εξοπλισμένο με μια υψηλής ποιότητας συσκευή UV-C 11 Watt, ένα ειδικό σύστημα με σχάρες φίλτρου καθώς και με ολοκληρωμένη εκκένωση λυμάτων. Αυτό μας καθιστά δυνατό να σας χορηγήσουμε εγγύηση καθαρού νερού για καθαρό και υγιεινό νερό!

Η εγγύηση ισχύει για 12 μήνες από την ημερομηνία αγοράς.

Για τη χρήση της εγγύησης καθαρού νερού θεωρούμε ως δεδομένο ότι

- Τηρούνται οι οδηγίες χρήσης του BioPressure και ότι έχει επιλεγεί το σωστό σύστημα (φίλτρο και συνιστώμενη αντλία) για την λιμνούλα κίπου που πρόκειται να φιλτραριστεί.
- από την έκτη εβδομάδα μετά τη θέση σε λειτουργία δεν έχει παρουσιαστεί ακόμα αποδεδειγμένη επιτυχία κατά το φιλτράρισμα του νερού της λιμνούλας, ειδικότερα στην μείωση επιπλεόντων άλγεων (πράσινο νερό).

Σε περίπτωση που παρουσιαστούν προβλήματα επικοινωνήστε με τον αντιπρόσωπό σας.



Μιλjøbeskyttelse

Gamle elektroapparater bør ikke bortkaffes sammen med husholdningsaffaldet. Aflever venligst det gamle apparat på dit lokale samlested. Yderligere oplysninger får du hos din forhandler eller renovationselskab.

DK Brugsanvisning Ubbink BioPressure II -3000/6000/10000/18000



Kære kunde!

Vi ønsker dig tillykke med købet af et produkt fra den førsteklasses Ubbink BioBalance havedamsfilterserie. Med brugsanvisningen får du vigtige informationer, der er nyttige ved montering, ibrugtagning og pleje af dit BioPressure-trykfilter. Læs denne brugsanvisning grundigt inden installationen af filteret og gør dig fortrolig med apparatet. Vær absolut opmærksom på sikkerhedshenvisningerne til en rigtig og sikker brug. **Opbevar denne brugsanvisningen godt!**

Leveringsomfang

- 1 BioPressure II trykfilter med integreret UV-C-enhed
- 1 Universal slangestuds 40-32-25-19 mm, gennemsigtig
- 2 Universal slangestuds 40-32-25-19 mm, sort
- 3 Pakringe 1 ½"
- 1 Skruering med hætte (glas)
- 1 Brugsanvisning

Tekniske data

BioPressure II	3000	6000	10000	18000
Vare-nr.	1355408	1355409	1355410	1355413
Filterindhold	10 Liter	10 Liter	15 Liter	25 Liter
Filtermedium	Special–etagefiltermätte	Special–etagefiltermätte	Special–etagefiltermätte	Special–etagefiltermätte
Trykbelastning	max. 0,49 bar	max. 0,49 bar	max. 0,49 bar	max. 0,49 bar
UV-C-lampe	PL-S 5 W	PL-S 9 W	PL-S 11 W	PL-L 18 W
Netspænding/frekvens	230 VAC / 50 Hz	230 VAC / 50 Hz	230 VAC / 50 Hz	230 VAC / 50 Hz
Kabellængde	4,5 m	4,5 m	4,5 m	4,5 m
UV-C-effekt efter ca. 5.000 timer	85%	85%	85%	85%
Vare-nr. til reserve UV-C-kvartsglas	1358765	1358766	1358730	1358767
Vare-nr. til UV-C-reservelampe	1355109	1355110	1355112	1355115
Maks. havedamsindhold	3.000 Liter	6.000 Liter	10.000 Liter	18.000 Liter

Symboler og indstillingsmuligheder



Vandindgang fra pumpe til filter



Vandudgang fra filter i havedammen



Vandudgang i rensedrift



Funktionskontakt „filterdrift“



Funktionskontakt „rensedrift“



Sikkerhedshenvisninger

ADVARSEL: UV-stråler er farlige for øjne og hud. UV-C-lampen må ikke bruges, hvis den er blevet taget ud af apparatets hus!

OBS: Dette apparat indeholder en UV-C-lampe. Utilstiget brug af apparatet eller beskadigelse af huset kan medføre udslip af farlig UV-C-stråling. UV-C-stråling kan også i en mindre dosering forårsage skader på øjne og hud.

- Strømforsyningen skal svare til produktspecifikationen. Tilslut ikke UV-C-enheden, hvis strømforsyningen ikke svarer til de specificerede bestemmelser! Yderligere informationer får du hos din lokale, autoriserede elinstallatør.
- UV-C-enhedens strømkreds skal være beskyttet via en fejlstrømsanordning (FI eller RCD) med en nominel fejlstrøm på maks. 30 mA.
- UV-C-enheden skal afbrydes fra nettet inden ethvert indgreb (installation, vedligeholdelse, etc.)!
- Trykfilter inkl. UV-C-enhed må under ingen omstændigheder tages i brug under vand og skal installeres ved siden af havedammen på en sådan måde, at det ikke kan oversvømmes.
- Trykfilteret skal installeres i en afstand på mere end 2 m og strømtilslutningen i en afstand på mere end 3,5 m fra havedammen eller vandbassinet.
- Det er ikke tilladt at åbne UV-C-enheden eller tilhørende dele, hvis der ikke udtrykkeligt henvises til dette i denne brugsanvisning. Dette gælder også for tekniske ændringer på apparatet.
- UV-C-enheden har en beskyttelsesafbryder, som automatisk afbryder strømforsyningen når apparatet åbnes.
- Netstikket og alle tilslutningssteder skal altid holdes tørre. UV-C-enhedens tilslutningskabel bør trækkes beskyttet for at undgå eventuelle beskadigelser.
- Trykfilteret må først tages i brug efter færdig installation af alle komponenter og slangetilslutninger.

Brugsanvisning Ubbink BioPressure II -3000/6000/10000/18000

- Sørg for, at apparatet er slukket, når der ikke løber vand igennem det.
- Trykfilteret må kun bruges ved en vandtemperatur på +5°C til +35°C.
- En UV-C-enhed med øjensynlige beskadigelser må ikke bruges!
- En udskiftning af UV-C-enhedens netkabel er ikke muligt. Hvis kablet bliver beskadiget, skal UV-C-enheden bortskaffes korrekt.
- Trykfilteret er ikke egnet til brug af personer (inkl. børn) med reducerede fysiske, sensoriske eller mentale evner eller mangel på erfaring og kendskab, undtagen, hvis disse bliver overvåget af en for deres sikkerhed ansvarlig person eller er blevet instrueret i brug af apparatet. Børn skal holdes under opsyn for at være sikker på, at de ikke leger med apparatet.

Anvendelse

BioPressure II er et mekanisk/biologisk arbejdende trykfilter med integreret UV-C-enhed til opstilling ved siden af hoveddammen over- og under vandoverfladen. Trykfilteret kan også pumpe det filtrerede hoveddamsvand til højere liggende vandfald. For at opnå synlige resultater ved UV-C-bestrålingen, skal hoveddamsvandet cirkulere mindst en gang komplet gennem filteret inden for 2 timer (hoveddam med fisk) eller 4 timer (hoveddam uden fisk).



Installation

OBS! **Inden ethvert indgreb (første montering, rensning, installering og udskiftning af UV-C-lampen, etc.) skal strømforsyningen til UV-C-enheden og pumpen altid først afbrydes!**

1. Fastlæg BioPressure-filtres placering (bemærk sikkerhedshenvisninger). Filteret kan monteres både over- eller under jorden. Ved nedgravning af BioPressure-filtret til dækselhøjde, skal man være opmærksom på, at filtret står vandret, og at der er godt opfyldt med jord hhv. sand.

2. Læg den store gummipakring på filterhusets kant. Vær i den forbindelse opmærksom på, at gummipakringen ikke bliver fordrejet eller sætter sig fast. Kun således kan du være sikker på, at dækslet kan sættes rigtigt på og at der senere ikke løber vand ud mellem de to filterdele.

Tip: Væd gummipakringen med lidt vand og læg den lidt forhøjet i på filterhusets øverste kant. Når du så trykker dækslet på ruller gummipakringen ned, hvor den skal sidde.

3. Tryk dækslet på plads på filterhuset og læg spænderingen over filterhusets og dækslets kant og luk filteret.

4. Filterindgang (A):
Afkort universal-slangestuds (sort) så den passer til hoveddamsslangen og skru den fast på filterindgangen.
Afkort hoveddamsslangen på den nødvendige længde, sæt den på slangestudserne på pumpen og på filterindgangen og sikre med slangeklemmerne. Opstil pumpen på fast grund i hoveddammen, fri for slam og sand. Læs brugsanvisningen inden ibrugtagning af pumpen, og vær opmærksom på sikkerhedshenvisninger og forskrifter vedrørende den minimale nedslækningsdybde. Brug de tilsvarende pakringe ved tilslutning af slangestudserne.

5. Filterudgang (J):
Afkort den gennemsigtige universal-slangestuds så den passer til hoveddamsslangen og skru den fast på filterudgangen.
Afkort hoveddamsslangen på den nødvendige længde, sæt så en slangeende på slangestuds (uden og sikre med en slangeklemme. Den anden slangeende trækkes tilbage til hoveddammen eller til vandfaldet. Brug den tilsvarende pakring ved tilslutning af slangestuds (uden). Ledes det filtrerede vand direkte tilbage til hoveddammen, bør vandet løbe ned i hoveddammen fra en faldhøjde på ca. 15-20 cm.

6. Snavsafløb (I):
Afkort den sorte universal-slangestuds så den passer til hoveddamsslangen og skru den fast på snavsafløbet. Afkort hoveddamsslangen på den nødvendige længde, sæt en slangeende på slangestuds (uden) og sikre med en slangeklemme. Den anden slangeende lægges hen til det sted, hvor det snavsede vand skal bortskaffes. Brug den tilsvarende pakring ved tilslutning af slangestuds (uden).

Henvisning: Du kan også lukke denne udgang med en hætte mens filteret arbejder. Dertil sættes hættten (glas) på snavsafløbet og skrues fast med ringen. Opbevar slangestuds (uden) med slange til den senere „rensedrift“.

7. Inden du tager dit trykfilter i brug, skal du igen kontrollere, at alle kabelforbindelser og slangetilslutninger sidder korrekt og at filter og pakning er lukket rigtigt. Funktionskontakten (B) skal stå på „Filterfunktion“.

8. Kobl altid først pumpen til og kontrollér, at vandet løber ensartet igennem trykfilteret og at der ikke er nogen utætte steder på filteret og på slangeforbindelserne. Tænd først derefter UV-C-enheden.

9. Det er vigtigt, at dit trykfilter arbejder uafbrudt. Filteret bør kun slukkes helt ved vedligeholdelse og i vinterperioden. Under bakterieudviklingen (ca. 6-8 uger) anbefaler vi, at lade UV-C-enheden være slukket.

10. Skal trykfilteret tages ud af drift (vedligeholdelse og vinterperiode), skal UV-C-enheden altid slukkes først. Først derefter frakobles pumpen, og vandet tappes af filteret.

Henvisning: dette BioPressure-trykfilter er udstyret med et sæt filtermåtter, på hvis strukturer der aflejrer sig de snavsepartikler og svævestoffer, der bidrager til, at der inden for ca. 6-8 uger efter ibrugtagning af filteret udvikler sig de bakteriekulturer, der er nødvendige til både den mekaniske og biologiske filtrering. Giv derfor dit trykfilter muligheden for at udvikle dets filteregenskaber fuldt ud i denne periode, uden at disse bliver helt eller delvist afbrudt.

Brugsanvisning Ubbink BioPressure II -3000/6000/10000/18000



Vedligeholdelse og rengøring

OBS! **Inden ethvert indgreb (første montering, rensning, installering og udskiftning af UV-C-lampen, etc.) skal strømforsyningen til UV-C-enheden og pumpen altid først afbrydes!**

Snavsafløb

BioPressure II arbejder stort set vedligeholdelsesfri. Afhængig af hoveddamsvandets tilsmudsningsgrad kan snavsaflejringer dog reducere rensningseffekten. Derfor bør disse snavsaflejringer skylles af ca. hver 2. uge (afhængig af tilsmudsningsgrad).

1. Er hættten (glas) monteret på snavsafløbet, skal du fjerne denne og i stedet tilslutte den sorte universal-slangestuds med slange.
2. Drej funktionskontakten (B) i position „Rensedrift“, indtil der høres et svagt klik. Nu løber vandet ud af snavsafløbet (I).
3. Under „rensedriften“ kan man trykke funktionskontakten (B) ned for at presse filtersvampene lidt ud, uden at skulle tage dem ud af apparatet. Vær i den forbindelse meget forsigtig! Hvis man presser for hurtigt og for kraftigt kan den indvendige plastikring brække.
5. Når der løber næsten rent vand ud af filteret, drejer du funktionskontakten tilbage på position „Filterdrift“.
6. Nu kan du igen montere hættten (glas) på snavsafløbet.

Henvisning: Vask/skyl ikke filteret helt ud. Derigennem ville de tilstedeværende bakteriekulturer blive helt eller delvist ødelagt, hvad der ville påvirke rensningsydelsen indtil der har dannet sig nye kulturer.

Rensning af filtersvampe

Hvis trykket i filteret stadig stiger på trods af snavsafløbet, skal filtersvampene vaskes ud. Her er kontrolindikatoren (D) på dækslets overside en god hjælp.

Normalt tryk Orangefarvet ring er nede/ikke synlig.

Forhøjet tryk Orangefarvet ring overdækker den grønne cylinder = rensning påkrævet.

1. Sluk altid først den integrerede UV-C-enhed og derefter pumpen.
2. Fjern alle slangetilslutninger på filteret
3. Åbn og fjern filterets lukkebøjle (se Fig. 1, 2, 3)
4. Løft dækslet af og læg det på et rent underlag med oversiden nedad (se Fig. 4).
5. Fjern den øverste filterbund, idet du først trykker plastikringen lidt ned, og så drejer den lidt, indtil den let kan fjernes opad. Træk nu det første lag filtersvampe af og fjern så på samme måde de andre filterbunde, filtersvampe og rør (se Fig. 5, 6, 7, 8, 9, 10)).
6. Tryk og vask filtersvampene godt ud med ledningsvand.
7. Skyl filterhus og dæksel med en haveslange.
8. Sæt filterbunde, filtersvampe og rør i igen i omvendt rækkefølge. Begynd med en stor blå filtersvamp, derefter skiftevis gule og blå.
9. Vær opmærksom på udsparingerne i plastikringene og i filtersvampene, så filtersvampene ligger tæt på hinanden. Mellemrum eller skævt sætning kan komplicere samlingen betydeligt.
10. Tryk dækslet på plads på filterhuset og læg derefter spænderingen over filterhusets og dækslets kant og luk filteret (se Installation).

Udskiftning af UV-C-lampen

Den i BioPressure-filteret integrerede UV-C-enhed er udstyret med en UV-C-lampe med en levetid på ca. 8.000 driftstimer. Efter denne driftstid er UV-C-effekten reduceret så meget, at UV-C-lampen skal udskiftes. Den nødvendige UV-C-reservelampe fås hos din Ubbink-forhandler. Brug kun en UV-C-lampe, hvis betegnelse og effekt svarer til dataene på typeskiltet.

Du udskifter UV-C-lampen på følgende måde:

1. Skru håndtaget af og derefter skrueerne ud på filterets UV-C-dæksel (se Fig. 11)
2. Fjern UV-C-dækslet og træk forsigtigt UV-C-lampen ud af fatningen og sæt den nye UV-C-reservelampe i lige så forsigtigt. (se Fig. 12, 13, 14)
3. Sæt UV-C-dækslet på igen og skru dette og håndtaget fast igen (se Fig. 15, 16).

OBS: Berør ikke UV-C-lampen med bare hænder!! Dette kan beskadige lampen.

Rengøring / udskiftning af UV-C-kvartsglas

UV-C-kvartsglasset bør rengøres mindst to- til tre gange om året for snavs og kalkaflejringer, afhængigt af algeveksten i hoveddammen og vandets tilsmudsningsgrad.

1. Sluk altid først den integrerede UV-C-enhed og derefter pumpen.
2. For at lette vedligeholdelsesarbejdet anbefaler vi at tømme filteret helt.
3. Fjern UV-C-dækslet, som beskrevet under „Udskiftning af UV-C-lampen“.
4. Fjern UV-C-lampen og træk derefter CV-C-kvartsglasset forsigtigt ud af huset. Dette er stukket løst ind og kan nemt trækkes ud. En gummiring forhindrer at det glider.
5. Rengør CV-C-kvartsglasset med ledningsvand og en blød klud.
OBS!! Undgå derved af efterlade ridser på kvartsglasset, og berør om muligt ikke glaskolben direkte med hænderne. Som følge af UV-C-strålingen brænder sved og fedt sig fast på glaskolben, og kan således forårsage en senere effektreducing af UV-C-enheden.
6. Skyl det plastikhus, hvori CV-C-kvartsglasset sidder med vand og tør huset tørt inden du samler det igen.
7. Tør CV-C-kvartsglasset grundigt af, inden du sætter det i igen.
8. Sæt UV-C-lampen i og luk CV-C-enheden igen i omvendt rækkefølge.
9. Kobl så altid først pumpen til og tænd så UV-C-enheden.

Opbevaring/overvintring

Ved frost skal trykfilteret afmonteres og opbevares frostfrit. Forinden bør der foretages en grundig rengøring og apparatet skal kontrolleres for beskadigelser.

OK Brugsanvisning Ubbink BioPressure II -3000/6000/10000/18000



Problemer og løsninger:

Problem	Mulig årsag	Løsning
Efter 6 til 8 uger har der ikke vist sig nogen positive filterresultater	Filteret kører ikke 24 timer i døgnet, men kobles f.eks. fra om natten	Lad filteret køre permanent
	Filtermedierne blev rensset inden for de første 6-8 uger	Lad filteret køre uden rensning i de første 6-8 uger
	Havedamsvandet er ekstremt snavset	Udskift vandet og fjern algerne
	Vandværdier ikke i orden, f.eks. for høj pH-værdi	Test og korriger om nødvendigt vandværdierne regelmæssigt;
	Havedamsvandet har et for lavt iltindhold	Brug af en iltningspumpe til udligning af ilttabet
	Der befinder sig for mange levevæsener i havedammen	Retningslinje: maks. 50-70 cm fisk (total længde) pr. 1.000 liter havedamsvolumen
	Filter eller UV-C-kvartsglas er snavset	Rengør de pågældende dele
Ingen vandudveksling via ind-/udgange	UV-C-enheden arbejder ikke.	UV-C-lampen er evt. defekt og skal udskiftes
	Kontakt står på „Rensning“	Kontrollér netttilslutningen
	Indgang tilstoppet	Stil kontakt på „Filtrering“ Rengøring

3

Garanti

På Ubbink BioPressure-filter yder vi en garanti på 3 år på materiale- og fabriktionsfejl, der gælder fra købsdato. For at kunne gøre brug af garantien skal det originale købebilag fremlægges som købebevis.

Yderligere yder vi på Ubbink BioPressure-filtre en 12 måneders klarvandsgaranti for klart og sundt vand. Denne garanti er gyldig i 12 måneder fra købsdato, under den betingelse, at der fra den 6. uge efter ibrugtagning af BioPressure-filtret stadig ikke er opnået nogen påviselige succes ved filtrering af bassin vandet, i særdeles ikke ved nedbrydning af svævealger. For at kunne gøre brug af klarvandsgarantien forudsætter Ubbink, at brugsanvisningen er blevet fuldt, og at det passende system (BioPressure-filter og anbefalet pumpe) er blevet udvalgt til bassinet der skal filtreres.

Ikke omfattet af garantien er:

- Glasbrud hhv. defekt UV-C-lampe og/eller kvartsglasset på UV-C-apparatet
- Reklamationer, hvis årsag der stammer fra monterings- og betjeningsfejl, manglende pleje, frostpåvirkning, usagkyndige reparationsforsøg, vold, fremmedskyld, overbelastning, eller fremmedlegemer, samt alle deleskader som følge af slitage.



Klart vands garanti

Vores BioPressure II trykfilter er udstyret med en kvalitets UV-C-enhed med 11 watt, et specielt filtermættesystem og et integreret snavsvandsfløb. Dette tillader os at give dig en klart vands garanti på rent og sundt vand!

Denne garanti er gældende i 12 måneder fra købedato.

For at kunne gøre brug af denne klart vands garanti, er det en forudsætning, at

- BioPressure brugsanvisningen er blevet overholdt og at man har valgt det passende system (filter og anbefalet pumpe).
- der fra den sjette uge efter ibrugtagningen påviseligt endnu ikke er opnået et resultat ved filtreringen af havedammes vand, i særdeleshed ikke ved reducere af svævealger (grønt vand).

Ved eventuelt optrædende problemer, bedes du henvende dig til din forhandler.



Miljøbeskyttelse

Gamle elektroapparater bør ikke bortskaffes sammen med husholdningsaffaldet. Aflever venligst det gamle apparat på dit lokale samlested. Yderligere oplysninger får du hos din forhandler eller renovationselskab.

S Brugsanvisning Ubbink BioPressure II -3000/6000/10000/18000



Bästa kund,

vi gratulerer till köpet av en produkt från den förstklassiga dammfilterserien Ubbink BioBalance. Denna bruksanvisning innehåller viktig information för montering, idrifttagning och skötsel av ditt BioPressure-tryckfilter. Läs igenom bruksanvisningen noggrant före installation av filtret, och gör dig förtrogen med apparaten. Följ ovillkorligen säkerhetsanvisningarna för en korrekt och säker användning. Förvara bruksanvisningen på ett säkert ställe!

Leveransomfattning

- 1 tryckfilter BioPressure II med integrerad UV-C-apparat
- 1 universalslangbusning 40-32-25-19mm, transparent
- 2 universalslangbusning 40-32-25-19mm, svart
- 3 tätningssringsar 1 ½"
- 1 skruvring med förslutningsklaff (glas)
- 1 bruksanvisning

Tekniska data

BioPressure II	3000	6000	10000	18000
Artikelnr	1355408	1355409	1355410	1355413
Filterinnehåll	10 Liter	10 Liter	15 Liter	15 Liter
Filtermedium	Special-nivåfiltermatta	Special-nivåfiltermatta	Special-nivåfiltermatta	Special-nivåfiltermatta
Tryckbelastning	max. 0,49 bar	max. 0,49 bar	max. 0,49 bar	max. 0,49 bar
UV-C-strålare	PL-S 5 W	PL-S 9 W	PL-S 11 W	PL-L 18 W
Nätspänning/frekvens	230 VAC / 50 Hz	230 VAC / 50 Hz	230 VAC / 50 Hz	230 VAC / 50 Hz
Kabellängd	4,5 m	4,5 m	4,5 m	4,5 m
UV-C-effekt efter ca 5.000 timmar	85%	85%	85%	85%
Artikelnr för reserv-UV-C-kvartsglas	1358765	1358766	1358730	1358767
Artikelnr för UV-C-reservlampa	1355109	1355110	1355112	1355115
max. dammvoly m	3.000 Liter	6.000 Liter	10.000 Liter	18.000 Liter

Symboler och inställningsmöjligheter



Vatteninlopp från pumpen till filtret



Vattenutlopp från filtret till dammen



Vattenutlopp i reningsdrift



Funktionsomkopplare "Filterdrift"



Funktionsomkopplare "Reningsdrift"



Säkerhetsanvisningar

WARNING: UV-strålar är farliga för ögonen och huden. UV-C-strålaren får inte användas om den har tagits ut ur apparatuset!

OBS: Denna apparat innehåller en UV-C-strålare! Oavsiktlig användning av apparaten eller skador på huset kan innebära att farlig UV-C-strålning avges. UV-C-strålning kan skada ögonen och huden, även i låga doser.

- Strömförsörjningen måste uppfylla produktspecifikationerna. Anslut inte UV-C-apparaten om strömförsörjningen inte uppfyller de angivna föreskrifterna! Mer information erhålls från lokal, behörig elinstallatör.
- Strömkretsen för UV-C-apparaten måste vara säkrad med en jordfelsbrytare (FI resp. RCD) med en dimensioneringsfelström på max. 30 mA
- Före varje ingrepp (installation, underhåll etc.) skall UV-C-apparaten skiljas från nätet!
- Tryckfiltret inkl. UV-C-apparaten får under inga som helst omständigheter tas i drift under vatten, och måste installeras invid dammen så att översvämning är utesluten.
- Installationen av tryckfiltret måste ske på ett avstånd på mer än 2 m och strömanslutningen på ett avstånd på mer än 3,5 m till dammen resp. vattenbassängen.
- Det är inte tillåtet att öppna UV-C-apparaten eller tillhörande delar, om så inte uttryckligen anges i denna bruksanvisning. Detta gäller även tekniska ändringar av apparaten.
- UV-C-apparaten har en skydds brytare som automatiskt bryter strömtillförseln om apparaten öppnas.
- Nätkontakten och alla anslutningsställen skall alltid hållas torra. UV-C-apparatens anslutningskabel skall placeras skyddat så att skador undviks.
- Tryckfiltret får tas i drift först efter installation av alla komponenter och slanganslutningar.
- Kontrollera att apparaten är avstängd när inget vatten strömmar genom den.
- Tryckfiltret får användas endast vid en vattentemperatur på +5 °C till +35 °C.

Bruksanvisning Ubbink BioPressure II -3000/6000/10000/18000

- En UV-C-apparat med uppenbara skador får inte användas!
- Det är inte möjligt att byta ut nätkabeln till UV-C-apparaten. Om kabeln är skadad måste UV-C-apparaten skrotas.
- Tryckfiltret är inte lämpligt att användas av personer (inkl. barn) med begränsad fysisk, sensorisk eller mental förmåga eller bristande erfarenhet och kunskap, såvida inte en person, som är ansvarig för dessa personers säkerhet, håller dem under uppsikt eller ger anvisningar om hur apparaten skall användas. Håll barnen under uppsikt så att de inte kommer åt att leka med apparaten.

Användning

BioPressure II är ett mekaniskt/biologiskt arbetande tryckfilter med inbyggd UV-C-apparat, för uppställning invid damm ovan- och nedanför vattenspeglarna. Det filtrerade dammvattnet kan även pumpas av tryckfiltret till högre liggande vattenfall. För att uppnå bästa resultat vid UV-C-bestrålningen skall dammvattnet cirkulera helt minst en gång inom 2 timmar (damm med fisk) eller 4 timmar (damm utan fisk).



Installation

OBS! Före varje ingrepp (första montering, rengöring, montering och byte av UVC-lampa etc.) måste man först alltid bryta strömförsörjningen till UVC-apparaten och pumpen!

1. Bestäm var BioPressure-filtret skall placeras (följ säkerhetskänvisningarna). Filtret kan monteras både ovan jord och inbyggt i marken. Vid nedgrävning av BioPressure-filtret fram till lockets höjd måste man se till att filtret står vågrätt och är väl omgivet av jord resp. sand.
2. Lägg i den stora gummitätningsseringen i filterkärlskanten. Se till att gummitätningsseringen inte vrider sig eller förskjuts vid iläggnen. Det är endast på det sättet som man kan vara säker på att locket sitter rätt, så att inte vatten tränger ut senare mellan de båda filterdelarna.

Tips: fukta gummitätningsseringen med lite vatten och placera den sedan något förhöjt på den övre kanten av filterbehållaren. När man trycker på locket, rullar gummitätningsseringen nedåt till sitt läge.

3. Tryck på locket i dess läge på filterhuset och lägg sedan spänningen över filterhusets kant och lock. Förslut filtret.

4. Filterinlopp (A):
Korta universalslangbussningen (svart) så att den passar dammslangen, och skruva fast den på filterinloppet.
Korta dammslangen till erforderlig längd, sätt på den på pumpen och filterinloppet på slangbussningarna och säkra med slangklämmor. Placera pumpen i dammen på ett fast underlag, fritt från slam och sand. Före idrifttagningen av pumpen måste man läsa bruksanvisningen och följa säkerhetskänvisningarna samt uppgifterna om minsta sänkdjup. Vid anslutning av slangbussningarna skall lämpliga tätningssringar användas.

5. Filterutlopp (J):
Korta den transparenta universalslangbussningen så att den passar dammslangen och skruva fast den på filterutloppet.
Korta dammslangen till erforderlig längd, sätt sedan på en slangände på slangbussningen och säkra med slangklämmor. Led den andra slangändan tillbaka till dammen resp. fram till vattenfallet. Vid anslutning av slangbussningen måste lämplig tätningssring användas. Om det filtrerade vattnet leds tillbaka direkt till dammen skall vattnet rinna in i dammen från en fallhöjd på ca 15-20 cm.

6. Smutsutlopp (I):
Korta den svarta universalslangbussningen så att den passar för dammslangen, och skruva fast den på smutsutloppet. Korta dammslangen till erforderlig längd, sätt på en slangände på slangbussningen och säkra med slangklämmor. Led den andra slangändan till den punkt på vilken smutsvattnet skall ledas bort. Vid anslutning av slangbussningen skall lämplig tätningssring användas.

OBS: Medan filtret är i drift kan man försluta detta utlopp med ett lock. Sätt då fast förslutningen (glas) på smutsutloppet och skruva fast med ringen. Lyft upp slangbussningen med slang för senare "reningsdrift".

7. Innan man tar tryckfiltret i drift måste man än en gång kontrollera att alla kabelförbindningar och slanganslutningar sitter korrekta och att filtret med tätning är väl förslutet. Funktionsomkopplaren (B) måste stå på "Filterfunktion".

8. Koppla alltid in pumpen först och kontrollera att vattnet genomströmmar tryckfiltret jämnt, och att det inte finns läckor på filtret och slangförbindningarna. Koppla in UV-C-apparaten först därefter.

9. Det är viktigt att tryckfiltret är i gång hela tiden. Det är endast för underhåll och under vinterperioden som filtret bör stängas av helt. För perioden med bakterieutveckling (6-8 veckor) rekommenderar vi att UV-C-apparaten får vara avstängd

10. Om tryckfiltret skall tas ur drift (underhåll och vinterperiod), måste man alltid stänga av UV-C-apparaten först. Stäng först därefter av pumpen och töm ur vattnet ur filtret.

OBS: detta BioPressure-tryckfilter är utrustat med filtermattor, på vars strukturer sådana smutspartiklar och svävande ämnen kan sedimenteras, vilka bidrar till att det inom ca 6-8 veckor efter filterets idrifttagande utvecklas och byggs upp bakteriekulturer, vilka är nödvändiga för både den mekaniska som den biologiska filteringen. Ge därför tryckfiltret en möjlighet att fullt ut utveckla sina filteregenskaper under denna tid, utan att dessa avbryts helt eller delvis.

Bruksanvisning Ubbink BioPressure II -3000/6000/10000/18000



Underhåll och rengöring

OBS! Före varje ingrepp (första montering, rengöring, montering och byte av UVC-lampa etc.) måste man först alltid bryta strömförsörjningen till UVC-apparaten och pumpen!

Avtappning av smuts

BioPressure II arbetar till största delen underhållsfritt. Beroende på hur smutsigt dammvattnet är, kan smutsavlagringar minska reningseffekten. Därför bör man (beroende på föroreningsgraden) spola bort smutsavlagringarna ungefär varannan vecka.

1. Om en läsklaff (glas) är monterad på smutsutloppet, skall den avlägsnas: härför ansluter man den svarta universalslangbussningen med slang.
2. Vrid funktionsomkopplaren (B) till läge "Reningsdrift" tills att ett svagt klick hörs. Vattnet strömmar nu ut ur öppningen för smutsutloppet (I).
3. Under "Reningsdrift" kan man trycka funktionsomkopplaren (B) helt nedåt så att filtersvamparna pressas ur lätt, utan att man behöver ta ur dem ur apparaten. Var försiktig! En alltför snabb och kraftig pressning kan bryta sönder den inre plastringen.
5. När nästan klart vatten strömmar ut ur filtret vrider man funktionsomkopplaren tillbaka till läge "Filterdrift".
6. Nu kan man montera tillbaka läsklaffen (glas) på smutsutloppet..

OBS: Tvätta inte ut/spola inte ur filtret helt. Det kan förstöra bakteriekulturerna helt eller delvis, något som påverkar reningseffekten fram till inrättandet av nya kulturer negativt.

Rengöring av filtersvampar

Om trycket i filtret ökar ytterligare, trots genomfört smutsutlopp, måste filtersvamparna tvättas ur. Här fungerar kontrollindikeringen på lockets ovansida som hjälp (D).

Normalt tryck Orangefärgad ring nedtill/syns ej.

Ökat tryck Orangefärgad ring täcker den gröna cylindern = rengöring krävs.

1. Stäng alltid av den integrerade UV-C-apparaten först, därefter pumpen.
2. Avlägsna alla slanganslutningar på filtret.
3. Öppna och ta bort läskygeln på filtret (se bild 1, 2, 3)
4. Lyft av locket och lägg det på en ren yta, med ovansidan nedåt (se bild 4).
5. Avlägsna den övre filterbotten genom att först trycka plastringen lätt nedåt, och sedan vrida den en aning tills att den går lätt att lyfta av uppåt. Dra nu av det första skiktet filtersvampar och avlägsna på samma sätt övriga filterbottnar, filtersvampar och rör (se bild 5, 6, 7, 8, 9, 10).
6. Tryck och tvätta ur filtersvamparna väl med ledningsvatten.
7. Spola igenom filterbehållaren och locket med trädgårdsslangen.
8. Sätt tillbaka filtersvamparna, filterbottnarna och rören i omvänd ordning. Börja med en stor blå filtersvamp, och sedan omväxlande gula och blå.
9. Beakta urtagen i plastringarna och filtersvamparna, så att filtersvamparna ligger tätt emot varandra. Mellanrum eller förskjutningar kan väsentligen försävara hopsättningen.
10. Tryck locket i position på filterhuset och lägg sedan spänningen över kanten på filterhus och lock. Förslut filtret (se installation).

Byte av UV-C-lampa

Den UV-C-apparat som är inbyggd i BioPressure-filtret är försedd med en UV-C-lampa, som har en livslängd på ca 8.000 drifttimmar. Efter denna tid har UV-C-effekten minskat så pass att UV-C-lampen måste bytas ut. Den erforderliga UV-C-utbyteslampan levereras av din Ubbink-återförsäljare. Använd endast en UV-C-lampa vars beteckning och effekt överensstämmer med uppgifterna på typskylten.

Byt UV-C-lampa så här:

1. Skruva av handtaget och skruva sedan ur skruvarna ur UV-C-locket som är fixerat på filtret (se bild 11)
2. Ta av UV-C-locket, dra försiktigt ut UV-C-lampan ur fattningen och sätt i den nya lampan försiktigt (se bild 12, 13, 14)
3. Sätt tillbaka UV-C-locket och skruva fast det samt handtaget (se bild 15, 16).

OBS: UV-C-lampan får inte vidröras med blotta händerna!! Detta kan skada lampan.

Rengöring/byte av UV-C-kvartsglas

UV-C-kvartsglaslet skall rengöras från smuts och kalkavlagringar minst två-tre gånger per år, beroende på alg tillväxten i dammen samt smutsgraden hos dammvattnet.

1. Stäng alltid av den integrerade UV-C-apparaten först, därefter pumpen.
2. För enklare underhållsarbete rekommenderar vi att filtret töms helt.
3. Avlägsna UV-C-locket, såsom beskrivs under Byte av UV-C-lampa.
4. Ta bort UV-C-lampan och dra sedan UV-C-kvartsglaslet försiktigt ur huset.
Detta är isatt och kan enkelt dras ut. En gummiring förhindrar glidning.
5. Rengör UV-C-kvartsglaslet med ledningsvatten och en mjuk rengöringsduk.
OBS!! Undvik repor på glaslet och fatta om möjligt inte tag direkt i glaskolven med händerna. Svett och fett kan brännas fast av UV-C-strålningen på glaskolven och leda till en minskad effekt hos UV-C-apparaten.
6. Spola ur plasthuset, där UV-C-kvartsglaslet sitter, med vatten och torka huset före hopmontering.
7. Torka av UV-C-kvartsglaslet noggrant, innan det sätts tillbaka.
8. Sätt i UV-C-lampan igen och förslut UV-C-sektionen i omvänd ordningsföljd.
9. Koppla alltid in pumpen först, sedan UV-C-apparaten.

Lagring/vinterförvaring

Vid frost måste tryckfiltret demonteras och förvaras frostfritt. Dessförinnan skall en grundlig rengöring utföras och apparaten kontrolleras avs. skador.

Bruksanvisning Ubbink BioPressure II -3000/6000/10000/18000



Problem och lösningar:

Problem	Möjlig orsak	Lösning
Inga positiva filterresultat efter 6 till 8 veckor	Filtret går inte dygnet runt, det stängs av t.ex. nattetid	Låt filtret gå hela tiden
	Filtermedia har renats inom de första 6-8 veckorna	Låt filtret gå de första 6-8 veckorna utan rening
	Dammvattnet är extremt smutsigt	Byt vatten och avlägsna algerna
	Vattenvärdena är inte OK, t.ex. för högt pH-värde	Låt testa vattnet regelbundet och korrigera ev.
	Dammvattnet har för låg syrehalt	Användning av ventilationspump för utjämning av syreförlusterna
	För många levande väsen i dammen	Riktlinje: max. 50-70 cm fisk (totallängd) per 1.000 liter dammvolyum
	Filtret eller UV-C-kvartsglaslet är smutsigt	Rengör berörda delar
Inget vattenutbyte genom in-/utgångar	UV-C-apparaten går inte	UV-C-lampan kan vara trasig och måste bytas Kontrollera nätanslutningen
	Omkopplaren ställd på "Rening"	Ställ omkopplaren till "Filtrering"
	Ingången tilltäppt	Rengör



Garanti

För Ubbink BioPressure-filter lämnar vi en garanti omfattande 3 år mot material- och tillverkningsfel, med giltighet fr.o.m. inköpsdatum. Vid garantianspråk skall inköpsdokumentet föreligga i original.

För Ubbink BioPressure-filter lämnar vi dessutom en 12 månaders klarvattengaranti för ett rent och friskt vatten. Denna garanti gäller i 12 månader fr.o.m. inköpsdatum, på villkor att det från och med den 6:e veckan efter igångsättning av BioPressure-filtret inte har uppnåtts någon påvisbar effekt vid filtreringen av dammvattnet, i synnerhet inte vid nedbrytning av svävalger. För ianspråktagande av klarvattengarantin förutsätter Ubbink att bruksanvisningen har följts och att lämpligt system har valts för den damm som skall filteras (BioPressure-filter och rekommenderad pump).

Garantin omfattar inte:

- Glasbrott resp. defekt på UV-C-lampa och/eller kvartsglas till UV-C-enheten
- Reklamationer, som har sitt ursprung i monterings- och handhavandefel, bristfällig skötsel, frostsador, icke-fackmannamässiga försök till reparation, användning av våld, annans vållande, överbelastning, eller främmande föremål, ej heller komponentsador som har att göra med slitage.



Klarvattengaranti

Vårt tryckfilter BioPressure II är utrustad med en förstklassig UV-C-apparat 11 watt, ett särskilt filtermattsystem samt integrerat smutsvattenutlopp. Detta gör det möjligt för oss att lämna dig en klarvattengaranti för friskt och sunt vatten!

Denna garanti gäller i 12 månader från inköpsdatum.

För ianspråktagandet av klarvattengarantin förutsätter vi att

- BioPressure bruksanvisningen har följts och att lämpligt system (filter och rekommenderad pump) har valts till den damm som skall filteras.
- från den 6:e veckan efter idrifttagning bevisligen ännu inget resultat vid filtreringen har uppnåtts, i synnerhet inte vid eliminering av svävande alger (grönt vatten).

Kontakta återförsäljaren vid ev. problem.



Miljöskydd

Släng inte uttjänt elektrisk apparatur i hushållsoporna, utan lämna den till återvinningscentral. För mer information, kontakta återförsäljaren eller kommunen.

Bruksanvisning Ubbink BioPressure II -3000/6000/10000/18000



Kjære kunde,

vi gratulerer deg med ditt nye produkt fra den kvalitative Ubbink BioBalance damfilterserien. Med denne bruksanvisningen får du viktige informasjoner som hjelper med montering, igangsetting og pleie av ditt BioPressure-trykkfilter. Les vennligst grundig gjennom denne bruksanvisningen før installasjon av filteret, og bli kjent med apparatet. Vær absolutt oppmerksom på sikkerhetshenvisningene for en riktig og sikker bruk. Oppbevar denne bruksanvisningen godt!

Inkludert i leveringen

- 1 trykkfilter BioPressure II med integrert UV-C-apparat
- 1 universal slangehylse 40-32-25-19mm, gjennomsiktig
- 2 universal slangehylse 40-32-25-19mm, svart
- 3 tetningsringer 1 1/2"
- 1 skruring med låsehette (glass)
- 1 bruksanvisning

Tekniske data

BioPressure II	3000	6000	10000	18000
Artikkel nr.	1355408	1355409	1355410	1355413
Filterinnhold	10 Liter	10 Liter	15 Liter	25 Liter
Filtermedium	Spesial etasjefiltermatte	Spesial etasjefiltermatte	Spesial etasjefiltermatte	Spesial etasjefiltermatte
Trykkbelastning	max. 0,49 bar	max. 0,49 bar	max. 0,49 bar	max. 0,49 bar
UV-C-stråler	PL-S 5 W	PL-S 9 W	PL-S 11 W	PL-L 18 W
Nettspenning/frekvens	230 VAC / 50 Hz	230 VAC / 50 Hz	230 VAC / 50 Hz	230 VAC / 50 Hz
Kabellengde	4,5 m	4,5 m	4,5 m	4,5 m
UV-C-effekt etter ca. 5.000 t.	85%	85%	85%	85%
Artikkel nr. for reserve UV-C-kvartsglass	1358765	1358766	1358730	1358767
Artikkel nr. for UV-C-reservelampe	1355109	1355110	1355112	1355115
maks. daminnhold	3.000 Liter	6.000 Liter	10.000 Liter	18.000 Liter

Symboler & innstillingsmuligheter



Vanninnngang fra pumpe til filter



Vannutgang fra filter til dam



Vannutgang i rensedrift



Funksjonsbryter "Filterdrift"



Funksjonsbryter "Rensedrift"



Sikkerhetshenvisninger

ADVARSEL: UV stråler er farlige for øyner og hud. UV-C-stråleren må ikke brukes dersom den er tatt ut av kapselen!

OBS! Dette apparatet inneholder en UV-C-stråler! Utisiktet bruk av apparatet eller skader på kapselen kan føre til at farlig UV-C-stråling oppstår. UV-C-stråling kan skade øyner og hud, til og med i små mengder.

- Strømforsyningen må tilsvare produktspesifikasjonene. UV-C-apparatet må ikke forbindes hvis strømforsyningen ikke oppfyller de angitte forskriftene! Ytterligere informasjoner kan du få hos din lokale, anerkjente elektroforhandler.
- Strømkretsen til UV-C-apparatet må sikres med en verneinnetning for jordfeilstrom (FI eller RCD) med en måling av jordfeilstrom på maks. 30 mA.
- Før hvert inngrep (installasjon, vedlikehold, osv.) må UV-C-apparatet separeres fra nettet!
- Trykkfilteret inkl. UV-C-apparatet må under ingen omstendigheter tas i bruk under vann, og det må plasseres ved siden av dammen, slik at overflyt utelukkes.
- Installasjonen av trykkfilteret må ha en avstand på mer enn 2 m, og strømforbindelsen med en avstand på mer enn 3,5 m til dammen eller vannet.
- Det er ikke tillatt å åpne UV-C-apparatet eller tilhørende deler, hvis det ikke henvises uttrykkelig om dette i denne bruksanvisningen. Dette gjelder også tekniske endringer på apparatet.
- UV-C-apparatet er utstyrt med en integrert vernebryter som automatisk avbryter strømtilførselen når apparatet åpnes.
- Nettkontakten og alle forbindelsessteder må alltid holdes tørre. Forbindelseskabelen til UV-C-apparatet bør forlegges beskyttes, slik at eventuelle skader unngås.
- Trykkfilteret får først tas i bruk etter fullført installasjon av alle komponenter og slangeforbindelser.

Bruksanvisning Ubbink BioPressure II -3000/6000/10000/18000

- Se til at apparatet slås av, når ingen vann strømmer gjennom apparatet.
- Trykkfilteret må kun brukes i en vanntemperatur fra +5 °C til +35 °C.
- Et UV-C-apparat med åpenbare skader må ikke brukes!
- Det er ikke mulig å skifte ut nettkabelen til UV-C-apparatet. Dersom kabelen skades må UV-C-apparatet deponeres riktig.
- Trykkfilteret skal ikke brukes av personer (heller ikke barn) med nedsatte fysiske, motoriske eller mentale evner eller manglende erfaring med slikt utstyr, med mindre det finnes en annen person til stede som er ansvarlig for bruken. Pass på at barn ikke leker med utstyret.

Bruk

BioPressure II er et mekanisk/biologisk arbeidende trykkfilter med integrert UV-C-apparat for oppstilling ved siden av dammen, over og under vannivået. Det filtrerte damvannet kan også pumpes til høyere vannfusser gjennom trykkfilteret. For å oppnå synlig suksess under UV-C-strålingen bør damvannet sirkulere komplett i løpet av 2 timer (dam med fisker) eller 4 timer (dam uten fisker).



Installasjon

OBS! Før hvert inngret (første montering, rengjøring, montering og skifte av UVC-lampen osv.) må alltid strømtilførselen til UVC-apparatet og pumpen avbrytes!

1. Bestem hvor BioPressure-filteret skal plasseres (vær obs på sikkerhetshenvisninger). En montering av filteret er mulig både over bakken og montert i bakken. Ved inngraving av BioPressure-filteret til dekselhøyde må man se til at filteret står vannrett og dekkes godt bak med jord eller sand.

2. Legg den store gummi-tetningsringen i filterkanten. Se til at gummi-tetningsringen ikke dreies eller faller ut under innlegging. Kun slik kan du være sikker på at dekelet kan settes riktig på, og at det ikke kommer vann ut mellom de to filterdelene senere.

Tips: Fukt gummi-tetningsringen med litt vann og legg den så litt opphøyd på øvre kant til filterbeholder. Mens du trykker dekelet på, ruller gummi-tetningsringen ned i posisjon.

3. Trykk dekelet på filterhuset i posisjon, legg deretter strammeringen over kanten til filterhusen og deksel, lukk filter.

4. Filterinngang (A): Den universale slangehylsen (svart) forkortes passende for damslangen og skrur fast på filterinngang. Damslangen forkortes til nødvendig lengde, settes på pumpe og filterinngang på slangehylsene og sikres med slangeklemmer. Sett pumpen i dammen på fast underlag, uten slam og sand. Før igangsetting av pumpen må bruksanvisningen leses, og sikkerhetshenvisningene samt opplysninger om min. dybde må overholdes. Bruk tilsvarende tetningsringer ved forbindelse av slangehylsene.

5. Filterutgang (J): Den gjennomsiktige, universale slangehylsen forkortes passende for damslangen og skrur fast på filterutgang. Damslangen forkortes til nødvendig lengde, en slangeende settes på slangehylsen og sikres med en slangeklemme. Den andre slangeenden legges tilbake i dammen eller til vannfossen. Bruk tilsvarende tetningsring ved forbindelse av slangehylsen. Blir det filtrerte vannet ledet direkte tilbake til dammen, så skal vannet flyte inn i dammen fra en fallhøyde på ca. 15-20 cm.

6. Smusstapping (I): Den sorte, universale slangehylsen forkortes passende for damslangen og skrur fast på smusstappingen. Damslangen forkortes til nødvendig lengde, en slangeende settes på slangehylsen og sikres med en slangeklemme. Den andre slangeenden legges til det stedet, hvor smussvannet skal avhendes. Bruk tilsvarende tetningsring ved forbindelse av slangehylsen.

Merke: Du kan også lukke utgangen med en hette under filterdrift. Ved dette settes lukkeheten (glass) på smusstappingen og skrur fast med ringen. Slangehylsen med slange oppbevares for senere "rensedrift".

7. Før du tar trykkfilteret i bruk må du nok en gang se til at alle kabelforbindelser og slangeforbindelser sitter riktig og at filteret er godt lukket med tetningen. Funksjonsbryteren (B) må være i "filterfunksjon".

8. Slå alltid pumpen på først, og kontroller at vannet går jevnt gjennom trykkfilteret, og at det ikke finnes lekkasjesteder på slangeforbindelsene. Først deretter slås UV-C-apparatet på.

9. Det er viktig at trykkfilteret ditt er uavbrutt i drift. Kun ved vedlikehold og under vinteren skal filteret slås helt av. For perioden med bakterieutvikling (6-8 uker) anbefaler vi å ha UV-C-apparatet slått av.

10. Skal trykkfilteret tas ut av drift (vedlikehold og vinter) må alltid UV-C-apparatet slås av først. Først deretter slås pumpen av og vannet tappes ut av filteret.

Merke: Dette BioPressure-trykkfilteret er utstyrt med et filtermatte-sett, hvor det kan avleires smusspartikler og svestoffer på strukturene, og dette kan føre til at det utvikles og oppbygges bakteriekulturer i løpet av 6-8 uker etter igangsetting av filteret, og disse er nødvendige for både mekanisk og biologisk filtrering. Derfor må du i løpet av denne tiden gi trykkfilteret mulighet til å utvikle sine filtreringsegenskaper helt, uten at dette avbrytes delvis eller helt.

Bruksanvisning Ubbink BioPressure II -3000/6000/10000/18000



Vedlikehold og rengjøring

OBS! Før hvert inngret (første montering, rengjøring, montering og skifte av UVC-lampen osv.) må alltid strømtilførselen til UVC-apparatet og pumpen avbrytes!

Tapp av smuss

BioPressure II arbeider for det meste vedlikeholdsfritt. Avhengig av dammens tilskitningsgrad kan smussavleiringer redusere renseseffekten. Derfor bør smussavleiringer skylles ut ca. hver 2 uke (alt etter tilskitningsgrad).

1. Er lukkeheten (glass) montert på smusstappingen, så fjernes denne og den svarte, universale slangehylsen med slange forbindes.
2. Funksjonsbryteren (B) dreies i posisjon "rensedrift" til det høres et klikk. Vannet strømmer nå ut fra åpningen til smusstappingen (I).
3. Under "rensedrift" er det mulig å trykke funksjonsbryteren (B) ned, for å presse filtersvampene lett ut, uten at de må tas ut av apparatet. Gå forsiktig frem! For rask og kraftig press kan ødelegge den indre plastringen.
5. Når det kommer nesten rent vann ut fra filteret dreies funksjonsbryteren tilbake i posisjon "filterdrift".
6. Nå kan lukkeheten (glass) monteres igjen på smusstappingen.

Merke: Filteret må ikke vaskes/skylles helt ut. Da kan bakteriekulturer ødelegges helt eller delvis, noe som påvirker renseseffekten til det er dannet nye kulturer.

Rense filtersvaper

Når trykket i filteret økes ytterligere, på tross av gjennomført smusstapping, må filtersvampene vaskes ut. Her hjelper kontrollvisningen (D) på dekelet overside.

Normalt trykk Oransje ring er nede/vises ikke.

Økt trykk Oransje ring dekker den grønne sylinder = Rensing nødvendig.

1. Slå alltid først av det integrerte UV-C-apparatet, deretter pumpen.
2. Fjern alle slangeforbindelser på filter.
3. Åpne og fjern låseboylene til filter (se bilde 1, 2, 3).
4. Løft dekelet av og legg det på en ren overflate med oversiden pekende nedover (se bilde 4).
5. Fjern øvre filterbunn ved å trykke plastringen lett nedover, så dreies det litt, helt til den kan løftes lett oppover. Trekk nå første lag med filtersvaper av, og fjern de andre filterbunnene, filtersvampene og rørene på samme måte (se bilde 5, 6, 7, 8, 9, 10).
6. Trykk og vask ut filtersvampene godt med rent vann.
7. Skyll filtertoppen og deksel med en hageslange.
8. Sett filtersvaper, filterbunner og rør inn igjen i omvendt rekkefølge. Begynn med en stor, blå filtersvamp, deretter skiftende gul og blå.
9. Vær obs på fordypnningene i plastringene og filtersvampene, slik at filtersvampene ligger tett. Mellomrom eller velting kan gjøre sammenbyggingen betydelig vanskeligere.
10. Trykk dekelet på filterhuset i posisjon, legg deretter strammeringen over kanten til filterhusen og deksel, lukk filter (se Installasjon).

Skifte UV-C-lampe

I BioPressure-filterets integrerte UV-C-apparat finnes det en UV-C-lampe med en levetid på ca. 8.000 driftstimer. Etter denne tiden er UV-C-effekten så redusert at UV-C-lampen må skiftes ut. Nødvendig UV-C-reservelampe kan du få hos din Ubbink - fagforhandler. Bruk kun UV-C-lamper hvor betegnelse og effekt stemmer overens med opplysningene på skriftskiltet.

Utskiftning av UV-C-lampen gjennomføres på følgende måte:

1. Skru av håndtaket og skru deretter skruene ut fra UV-C-dekelet som er festet på filteret (se bilde 11).
2. Ta av UV-C-dekelet, trekk UV-C-lampen forsiktig ut av fatningen og sett så UV-C-reservelampen forsiktig inn. (se bilde 12, 13, 14)
3. Sett UV-C-dekelet på igjen og skru dette og håndtaket fast (se bilde 15, 16).

OBS: UV-C-lampen må ikke berøres med bare hender!! Dette kan skade lampen.

Rense / skifte ut UV-C-kvartsglass

UV-C-kvartsglass skal renses to til tre ganger i året for smuss og kalkavleiringer, avhengig av algeveksten i dammen, samt tilskitningsgraden til vannet i dammen.

1. Slå alltid først av det integrerte UV-C-apparatet, deretter pumpen.
2. For å gjøre vedlikeholdsarbeidet enklere anbefaler vi å tømme filteret helt.
3. Fjern UV-C-dekelet som beskrevet under skifte av UV-C-lampe.
4. Ta UV-C-lampen ut og trekk deretter UV-C-kvartsglasset forsiktig ut av huset. Dette er bare satt inn og kan lett trekkes ut. En gummiring forhindrer at det sklir.
5. UV-C-kvartsglasset renses med vann og et mykt tørkle.
OBS!! Unngå å skrape kvartsglasset og ta helst ikke direkte på glasskolben med hendene. Gjennom UV-C-strålingen brennes smuss og fett inn på glasskolben og kan føre til en effektreduksjon av UV-C-apparatet.
6. Skyll plasthuset hvor UV-C-kvartsglasset sitter med vann, og tørk huset før sammenmontering.
7. UV-C-kvartsglasset må tørkes grundig før det settes inn igjen.
8. UV-C-lampen settes inn igjen og UV-C-seksjonen lukkes i omvendt rekkefølge.
9. Slå alltid først på pumpen og deretter UV-C-apparatet.

Lagring/overvintre

Trykkfilteret må demonteres før frosten og oppbevares frostfritt. Men først bør en grundig rengjøring gjennomføres og apparatet må kontrolleres for skader.



Problemer og løsninger:

Problem	Mulig årsak	Løsning
Etter 6 til 8 uker er det ennå ingen positive filteringsresultat	Filteret går ikke 24 t om dagen, blir f.eks. slått av om natten	La filteret gå permanent
	Filtermedium ble rensert i løpet av de første 6-8 ukene	La filteret gå uten rensing i de første 6-8 ukene
	Vannet i dammen er ekstremt skittent	Skift vannet og fjern algene
	Vannverdiene er ikke i orden, f.eks. for høy pH-verdi	Vannverdier må testes regelmessig og ev. korrigeres
	Vannet i dammen har et for lavt surstoffinnhold	Bruk en ventilasjonspumpe for å utligne surstofftapet
	Det finnes for mange levevesen i dammen	Retningslinje: maks. 50-70 cm fisk (total lengde) per 1 000 liter damvolum
	Filter eller UV-C-kvartsglass er skittent	Rens de tilsvarende delene
UV-C-apparatet arbeider ikke	UV-C-lampen er ev. defekt og må skiftes ut	
		Kontroller nettforbindelsen
Ingen vannutskifting gjennom inn-/utgangene	Bryter stilt inn på "rense"	Sett bryter på "filtrere"
	Inngang blokkert	Rengjør

3 Garanti

Vi gir en garanti på 3 år for Ubbink BioPressure filter, på material- og produsentfeil som gjelder fra kjøpedato. Hvis en tar bruk av garantien må en vise frem original kvittering.

I tillegg gir vi en 12 måneders klarvannsgaranti på Ubbink BioPressure filter, for rent og sunt vann. Denne garantien er gyldig i 12 måneder fra kjøpedato, under den betingelsen at det ikke ble oppnådd beviste suksesser fra den 6 uke etter igangsetting av BioPressure filteret, spesielt ikke ved nedbrytning av flytende alger. Ved bruk av klarvannsgarantien forutsetter Ubbink at bruksanvisningen blir aktert og at det ble valgt ut det passende systemet (BioPressure filter og anbefalt pumpe) for dammen som skal filteres.

Dette gjelder ikke under garantien:

- Glassbrudd eller defekt på UV-C-lampe og/eller kvartsglass til UV-C-apparatet.
- Reklamasjoner hvor årsaken er monterings- og betjeningsfeil, manglende pleie, frostvirkning, uriktige reparasjonsforsøk, bruk av vold, tredjemanns skyld, overbelastning eller fremmedlegemer, og alle deleskader pga. slitasje.



Klarvannsgaranti

Vårt trykkfilter BioPressure II er utstyrt med et kvalitativt UV-C-apparat, 11 Watt, et spesielt filtermattesystem, samt en integrert smusstapping. Dermed er det mulig for oss å gi deg en klarvannsgaranti for rent og sunt vann!

Denne garantien er gyldig i 12 måneder fra kjøpedato.

For bruk av klarvannsgarantien forutsetter vi at

- BioPressure bruksanvisningen ble overholdt og det passende systemet (filter og anbefalt pumpe) ble valgt for dammen som skal filteres.
- fra sjette uke etter igangsetting ble det beviselig ikke oppnådd suksess under filtrering av vannet i dammen, spesielt ikke ved nedbrytning av svevealger (grønt vann).

Spør din fagforhandler ved eventuelle problemer.

Miljøvern
Gamle elektroapparater bør ikke kastes i husholdningssoppelet. Lever vennligst inn det gamle apparatet på ditt lokale samlested. Ytterligere informasjoner får du hos din forhandler eller ditt avfallsforetak.



Arvoisa asiakas,

Haluamme onnitella sinua siitä, että ole hankkinut BioBalance lampisuodattimien sarjaan kuuluvan erittäin korkealaatuisen Ubbink-tuotteen. Tässä käyttöohjeessa on tärkeitä BioPressure-painesuodattimen asennukseen, käyttöönottoon ja hoitoon liittyviä tietoja. Lue käyttöohje ennen suodattimen asentamista huolellisesti läpi ja tutustu laitteeseen. Noudata ehdottomasti oikeaan ja turvalliseen käyttöön liittyviä turvallisuusohjeita. Säilytä tämä käyttöohje tulevia tarpeita varten!

Toimituksen sisältö

- 1 painesuodatin BioPressure II sisäänrakennetulla UV-C-laitteella
- 1 letkuliitin 40-32-25-19 mm, läpinäkyvä
- 2 letkuliitin 40-32-25-19 mm, musta
- 3 tiivistysrenkas 1 ½"
- 1 kierrerenkas sulkkutulpalla (lasia)
- 1 käyttöohje

Tekniset tiedot

BioPressure II	3000	6000	10000	18000
Tuotenumero	1355408	1355409	1355410	1355413
Suodattimen tilavuus	10 Litraa	10 Litraa	15 Litraa	25 Litraa
Suodatusosa	Kerroksellinen erikoissuodatusosa	Kerroksellinen erikoissuodatusosa	Kerroksellinen erikoissuodatusosa	Kerroksellinen erikoissuodatusosa
Painekuormitus	max. 0,49 bar	max. 0,49 bar	max. 0,49 bar	max. 0,49 bar
UV-C-säteilijä	PL-S 5 W	PL-S 9 W	PL-S 11 W	PL-L 18 W
Verkköjännite/taajuus	230 VAC / 50 Hz	230 VAC / 50 Hz	230 VAC / 50 Hz	230 VAC / 50 Hz
Johdon pituus	4,5 m	4,5 m	4,5 m	4,5 m
UV-C-teho noin 5000 tuntiin jälkeen	85%	85%	85%	85%
Tuotenumero vara-UV-C-kvartsilasilille	1358765	1358766	1358730	1358767
Tuotenumero vara-UV-C-lamppu	1355109	1355110	1355112	1355115
Maks. lammen tilavuus	3.000 Litraa	6.000 Litraa	10.000 Litraa	18.000 Litraa

Merkit ja asetusmahdollisuudet

- Vedentulo pumpusta suodattimeen
- Vedenpoisto suodattimesta lampeen
- Vedenpoisto puhdistuskäytössä
- Käyttökytin "Suodatustoiminta"
- Käyttökytin "Puhdistustoiminta"



Turvallisuusohjeet

VAROITUS: UV-säteily on vaarallista silmille ja iholle. UV-C-säteilijää ei saa käyttää, jos se on otettu ulos laitekotelosta!

HUOMIO: Tämä laite sisältää UV-C-säteilijän! Laitteen tarkoituksen vastaisen käytön tai kotelon vahingoittumisen seurauksena siitä voi päästä ulos vaarallista UV-C-säteilyä. UV-C-säteily voi vaurioittaa silmiä ja ihoa pieninä annoksinkin.

- Virransyötön on oltava tuotteen teknisten tietojen mukainen. Älä liitä UV-C-laitetta syöttöverkkoon, jos syöttötiedot eivät ole eriteltyjen määritysten mukaiset. Lisätietoja saat paikalliselta valtuutetulta sähköasentajalta.
- UV-C-laitteen virtapiiri pitää suojata vikavirtasuojalla (FI tai RCD) mitoitettulla vikavirralla maks. 30 mA.
- Ennen kaikkien toimenpiteiden suorittamista (asennus, huolto jne.) UV-C-laite on irrotettava verkosta!
- Painesuodatinta ja sen UV-C-laitetta ei saa missään olosuhteissa ottaa käyttöön vedessä ja se on asennettava lammen viereen siten, että lampi ei voi tulvia sen päälle.
- Painesuodatin on asennettava yli 2 m etäisyydelle ja virtaliitäntä yli 3,5 m etäisyydelle lammen tai vesialtaasta.
- UV-C-laitetta tai siihen kuuluvia osia ei saa avata, jos asiasta ei erikseen mainita käyttöohjeessa. Tämä pätee myös laitteen tekniisiin muutoksiin.
- UV-C-laitteessa on suojakytin, joka keskeyttää virransyötön automaattisesti, kun laite avataan.
- Verkkopiistoke ja kaikki liitäntäkohdat on aina pidettävä kuivina. UV-C-laitteen liitäntäjohto pitää asentaa suojatusti siten, että se ei pääse vahingoittumaan.
- Painesuodattimen saa ottaa käyttöön vasta sen jälkeen, kun kaikki sen osat ja letkuliittimet on asennettu.
- Varmista, että laite on kytketty pois päältä, kun laitteen läpi ei virtaa vettä.

Ubbink BioPressure II -3000/6000/10000/18000 - Käyttöohje

- Painesuodatinta saa käyttää vain veden lämpötilan ollessa +5 °C - +35 °C.
- UV-C-laitetta, jossa on selvästi havaittavia vaurioita, ei saa käyttää!
- UV-C-laitteen verkkojohtoa ei voi vaihtaa. Jos johto on vaurioitunut, UV-C-laite on hävitettävä asianmukaisesti.
- Painesuodatinta eivät saa käyttää henkilöt (lapset mukaan lukien), joilla on fyysisiä, psyykkisiä tai aistirajoitteita tai joilta puuttuu kokemusta ja tietoja, ellei heistä vastuussa oleva henkilö valvo tai ole opastanut heitä laitteen käytössä. Lapsia on valvottava ja varmistettava, että he eivät pääse leikkimään laitteella.

Käyttö

BioPressure II on mekaanisesti/biologisesti toimiva painesuodatin sisäänrakennetulla UV-C-laitteella. Se on tarkoitettu sijoitettavaksi lammen viereen vedenpinnan tason ylä- tai alapuolelle. Lammen suodatettu vesi voidaan pumpata painesuodattimen läpi myös korkeammalla sijaitseviin vesiputouksiin. Jotta UV-C-säteilyllä saavutetaan näkyviä tuloksia, lammen vesi pitää kierrättää 2 tunnin kuluessa (lampi kalakannalla) tai 4 tunnin kuluessa (lampi ilman kaloja) vähintään kerran ja kokonaan laitteen läpi.

Asennus

HUOMIO! Ennen jokaista UV-C-laitteelle tehtävää toimenpidettä (ensimmäinen asennus, puhdistus, UVC-lampun asennus ja vaihto jne.) pitää ensin katkaista virransyöttö ja pysäyttää pumppu!

- Määritä BioPressure–suodattimen sijaintipaikka (noudata turvallisuusohjeita). Suodattimen voi asentaa sekä maanpinnalle että myös maaperään. Kun Biopressure–suodatin asennetaan maaperään kannen korkeudelle, pitää varmistaa, että suodatin on vaaka-asennossa ja hyvin tuettu ma-aineksella tai hiekalla.

- Sijoita suuri kumirengas suodattimen rungon reunaan. Kiinnitä ehdottomasti huomiota siihen, että kumirengas ei sijoitettaessa pääse kiertymään ja kiilautumaan. Vain siten voit varmistaa, että kansi on kunnolla paikallaan eikä molempien suodattimen osien välistä myöhemmin valu vettä.

Vihje: Kostuta kumirengas kevyesti vedellä ja sijoita se sitten aivan suodattimen rungon yläreunaan. Kun painat sen jälkeen kannen kiinni, kumitiiviste painuu alas oikeaan asentoon.

- Paina kansi suodattimen koteloon oikeassa asennossa ja sijoita sen jälkeen suodattimen kotelon ja kannen reunan päälle kiristysrengas ja sulje suodatin.

- Suodattimen tuloliitäntä (A): Lyhennä letkuliitintä (musta) lammen letkuun sopivaksi ja kierrä se kiinni suodattimen tuloliitäntään. Katkaise lammen letku sopivan mittaiseksi ja työnnä se pumppuun ja suodattimen tuloliitäntään letkuliittimiin ja varmista liitos letkukiinnikkeillä. Sijoita pumppu lampeen tukevalle pohjalle kohtaan, jossa ei ole mutaa ja hiekkaa. Lue ennen pumpun käyttöönottoa käyttöohje ja noudata turvallisuusohjeita sekä vähimmäispuotussyvyyden tietoja. Käytä letkuliittimien liitännöissä vastaavia tiivistysrenkaita.

- Suodattimen poistoliitäntä (J): Lyhennä läpinäkyvää letkuliitintä lammen letkuun sopivaksi ja kierrä se kiinni suodattimen poistoliitäntään. Katkaise lammen letku sopivan mittaiseksi ja työnnä letkunpää letkuliittimeen ja varmista liitos letkukiinnikkeellä. Sijoita letkun toinen pää takaisin lampeen tai vesiputoukseen. Käytä letkuliittimen liitännässä vastaavaa tiivistysrengasta. Jos suodatettu vesi johdetaan takaisin lampeen, veden pitää virrata lampeen noin 15 - 20 cm putouskorkeudelta.

- Lianpoistoliitäntä (I): Lyhennä mustaa letkuliitintä lammen letkuun sopivaksi ja kierrä se kiinni lianpoistoliitäntään. Katkaise lammen letku sopivan mittaiseksi ja työnnä letkunpää letkuliitäntään ja varmista liitos letkukiinnikkeellä. Sijoita letkun toinen pää paikkaan, jonne likavesi on tarkoitus johtaa. Käytä letkuliittimen liitännässä vastaavaa tiivistysrengasta.

Ohje: Suodatinkäytön ajaksi voit myös sulkea tämän poistoliitäntään sulkutulppa. Sijoita sitä varten lianpoistoliitäntään päälle sulkutulppa (lasia) ja kierrä se renkaalla kiinni. Säilytä letkuliitin ja letku myöhempää ”puhdistuskäyttöä” varten.

- Ennen kuin otat painesuodattimen käyttöön, varmista vielä kerran, että kaikki johtoliitännät ja letkuliitokset istuvat kunnolla ja suodatin on suljettu hyvin tiivisteellä. Käyttökytkin (B) pitää olla kytkettynä asentoon ”Suodatustoiminta”.

- Käynnistä aina ensin pumppu ja tarkasta, että vesi virtaa tasaisesti painesuodattimen läpi eikä suodattimessa tai letkuliitoksissa ole mitään vuotoja. Kytke vasta sen jälkeen UV-C-laite päälle.

- On tärkeää, että painesuodatin toimii keskeytyksettä. Suodatin kytketään kokonaan pois päältä vain huolto varten ja talvikauden ajaksi. Bakteerien kehityksen keston ajaksi (6 - 8 viikkoa) suosittelemme pitämään UV-C-laitteen vielä pois päältä kytkettynä.

- Kun painesuodatin otetaan pois käytöstä (huolto ja talvikausi), pitää aina ensin kytkeä UV-C-laite pois päältä. Vasta sen jälkeen sammutetaan pumppu ja päästetään vesi ulos suodattimesta.

Ohje: Tämä BioPressure-painesuodatin on varustettu suodatusosarajalla, jonka rakenteisiin voi kertyä sellaisia liakihukkaita ja leijuaineita, joiden avulla noin 6 - 8 viikon sisällä suodattimen käyttöönotosta kehittyjy ja muodostuu bakteerialustoja, jotka ovat mekaaniselle ja biologiselle suodatukselle välttämättömiä. Anna siis painesuodattimelle tänä aikana mahdollisuus kehittää suodatuskykyään, äläkä keskeytä sen toimintaa osittain tai täydellisesti.

Ubbink BioPressure II -3000/6000/10000/18000 - Käyttöohje



Huolto ja puhdistus

HUOMIO! Ennen jokaista UV-C-laitteelle tehtävää toimenpidettä (ensimmäinen asennus, puhdistus, UVC-lampun asennus ja vaihto jne.) pitää ensin katkaista virransyöttö ja pysäyttää pumppu!

Lianpoisto

BioPressure II toimii pääasiallisesti huoltovapaasti. Lammen veden likaantumisasteesta riippuen likakerrostumat voivat heikentää puhdistustehoa. Sen vuoksi tulee (likaantumisasteesta riippuen) huuhdella likakerrostumat pois noin 2 viikon välein.

- Jos lianpoistoliitäntään on asennettu sulkutulppa (lasia), poista se ja liitä mustaan letkuliittimeen letku.
- Käännä käyttökytkintä (B) asennon ”Puhdistustoiminta” suuntaan, kunnes kuulet hiljaisen naksahduksen. Vesi virtaa sen jälkeen ulos lianpoistoliitäntän aukosta (I).
- ”Puhdistustoiminnan” aikana on mahdollista painaa käyttökytkintä (B) alaspäin, millä voidaan puristaa suodatussieniä kevyesti ottamatta niitä ulos laitteesta. Toimi tällöin harkiten ja varovasti! Lian nopea ja voimakas puristus voi rikkoa sisäpuolisen muovirengaan.
- Kun suodattimesta virtaa lähes kirkasta vettä, käännä käyttökytkin takaisin asentoon ”Suodatustoiminta”.
- Nyt voit asentaa lianpoistoliitäntään sulkutulpan (lasia) takaisin.

Ohje: Älä kuitenkaan pese/huuhtele suodatinta liian perusteellisesti. Muodostuneet bakteerialustat voivat siten tuhoutua osittain tai kokonaan, mikä heikentää puhdistustehoa aina siihen asti, kunnes uudet alustat muodostuvat.

Suodatussienien puhdistaminen

Jos lianpoistosta huolimatta paine kasvaa edelleen suodattimessa, suodatussienet pitää pestä. Tätä varten on kannen yläpinnassa merkivallo (D).

Normaali paine Oranssinvärinen rengas alhaalla / ei ole näkyvissä.
Kohonnut paine Oranssinvärinen rengas peittää vihreän lieriön = puhdistus välttämätön.

- Kytke aina ensin sisäänrakennettu UV-C-laite pois päältä ja sammuta sen jälkeen pumppu.
- Poista kaikki letkuliitokset suodattimesta.
- Avaa ja irrota suodattimen kiinnityskaaret (katso kuvat 1, 2, 3).
- Nosta kansi ja sijoita se puhtaalle pinnalle, yläpinta alaspäin (katso kuva 4).
- Irrota ylempi suodatinpohja painamalla ensin muovirengasta kevyesti alaspäin, käännä sen jälkeen hieman, kunnes pohjan voi kevyesti nostaa ylös. Vedä nyt ensimmäinen suodatussienikerros irti ja poista samalla tavalla muut suodatinpohjat, suodatussienet ja putket (katso kuvat 5, 6, 7, 8, 9, 10).
- Puristele ja pese suodatussienet vesijohtovedellä.
- Huuhtele suodattimen runko ja kansi puutarhaletkun avulla.
- Sijoita suodatussienet, suodatinpohjat ja putket päinvastaisessa järjestyksessä takaisin paikalleen. Aloita suuresta sinisestä suodatussienestä ja sijoita sen jälkeen vuorotellen keltaiset ja siniset.
- Ota huomioon muovirenkaisa ja suodatussienissä olevat lovet, jotta suodatussienet sijoittuvat kiinteästi toisiaan vasten. Tyhjat tilat ja uloskiilautumiset voivat vaikeuttaa huomattavasti asennusta.
- Paina kansi suodattimen koteloon oikeassa asennossa ja sijoita sen jälkeen suodattimen kotelon ja kannen reunan päälle kiristysrengas ja sulje suodatin (katso asennus).

UV-C-lampun vaihtaminen

BioPressure-suodattimen sisään rakennettu UV-C-laite on varustettu UV-C-lampulla, jonka käyttöikä on noin 8000 käyttötuntia. Tämän ajan kuluttua on UV-C-teho vähentynyt siinä määrin, että UV-C-lamppu pitää vaihtaa. Tarvittavan UV-C-varalampun saat Ubbink-jälleenmyyjältä. Käytä vain sellaista UV-C-lamppua, jonka nimike ja teho vastaavat tyyppikilvessä annettuja tietoja.

Suorita UV-C-lampun vaihto seuraavasti:

- Ruuvaa käsikahva irti ja ruuvaa sen jälkeen ruuvit irti UV-C-kannesta, joka on kiinnitetty suodattimeen (katso kuva 11).
- Ota UV-C-kansi pois, vedä UV-C-lamppu varovasti irti lampunpitemstä ja sijoita sen jälkeen varovasti uusi UV-C-lamppu paikalleen (katso kuvat 12, 13, 14).
- Sijoita UV-C-kansi takaisin paikalleen ja ruuvaa se sekä käsikahva kiinni (katso kuvat 15, 16).

Huomio: Älä koske UV-C-lamppuun paljain käsin! Se voi vahingoittaa lampputa.

UV-C-kvartsilasin puhdistaminen / vaihtaminen

UV-C-kvartsilasi tulee puhdistaa vähintään kaksi- tai kolmekertaa vuodessa liasta ja kalkkisaostumista riippuen lammen leväkasvustosta sekä lammen veden likaantuneisuusasteesta.

- Kytke aina ensin sisäänrakennettu UV-C-laite pois päältä ja sammuta sen jälkeen pumppu.
- Huoltotöiden helpottamiseksi suosittelemme koko suodattimen tyhjentämistä.
- Poista UV-C-kansi, kuten kohdassa UV-C-lampun vaihto kuvataan.
- Irrota UV-C-lamppu ja vedä sen jälkeen UV-C-kvartsilasi varovasti ulos kotelosta. Se on irrallinen ja helposti ulosvedettävissä. Kumirengas estää liukumisen.
- Pese UV-C-kvartsilasi vesijohtovedellä ja pehmeällä puhdistusliinalla.

Huomio! Varo naarmuttamasta kvartsilasia äläkä mahdollisuusien mukaan tartu lasikupuun suoraan käsin. UV-C-säteilyn ansiosta hiki ja rasva palavat kiinni lasikupuun, jonka seurauksena UV-C-laitteen teho voi heikentyä.
- Huuhtele muovikotelo, johon UV-C-kvartsilasi on sijoitettu, vedellä ja kuivaa kotelo ennen kokoamista.
- Kuivaa UV-C-kvartsilasi huolellisesti, ennen kuin sijoitat sen paikalleen.
- Sijoita UV-C-lamppu takaisin paikalleen ja sulje UV-C-alue purkamiseen nähden päinvastaisessa järjestyksessä.
- Käynnistä aina ensin pumppu ja kytke sen jälkeen UV-C-laite päälle.

Varastointi/talvisäilytys

Painesuodatin pitää purkaa pakkasten ajaksi ja säilyttää paikassa, jossa ei ole pakkasta. Sitä ennen laite tulee kuitenkin puhdistaa huolellisesti ja tarkastaa, että siinä ei ole vaurioita.



Ongelmat ja niiden ratkaisut:

Ongelma	Mahdollinen syy	Ratkaisu
6 - 8 viikon jälkeen ei ole havaittavissa vielä mitään positiivisia tuloksia.	Suodatin ei toimi 24 tuntia päivittäin, se sammutetaan esim. yöksi.	Anna suodattimen toimia jatkuvasti.
	Suodatusosat on puhdistettu ensimmäisten 6 - 8 viikon aikana.	Anna suodattimen toimia ensimmäisten 6 - 8 viikon aikana puhdistamatta sitä.
	Lammen vesi on äärimmäisen likaantunutta.	Vaihda vesi ja poista siitä leväkasvusto.
	Vesiarvot eivät ole kunnossa, esim. liian korkea pH-arvo.	Testaa vesiarvot säännöllisesti ja korjaa ne tarvittaessa.
	Lammen veden happipitoisuus on liian matala.	Käytä tuuletuspumppua happihävikin korjaamiseksi.
	Lammessa on liian paljon eläimiä.	Ohje: maks. 50 - 70 cm kaloja (kokonaispituus) per 1000 litran lampitilavuus.
	Suodatin tai UV-C-kvartsilasi on likaantunut.	Puhdista asianomaiset osat.
UV-C-laite ei toimi.	UV-C-lamppu on mahdollisesti viallinen ja se pitää vaihtaa.	
	Tarkasta verkkoliitäntä.	
Vesi ei vaihdu sisään-/ulostuloaukkojen kautta.	Aseta kytkin asentoon "Puhdistus".	Aseta kytkin asentoon "Suodatus".
	Tulo tukkeutunut.	Puhdista se.



Takuu

Myönämme BioPressure-suodattimille ostopäivästä lukien 3 vuoden takuun, joka koskee materiaali- ja valmistusvirheitä. Takuu edellyttää alkuperäisen ostokuitin esittämistä.

Lisäksi myönämme Ubbink BioPressure-suodattimille 12-kuukauden puhdasvesitakuun, jolla taataan veden puhtaus ja terveellisyys. Tämä takuu on voimassa 12 kuukautta ostopäivästä lukien, edellyttäen, ettei lammikkoveden suodatus ole 6 viikkoa BioPressure-suodattimen käyttöönoton jälkeen tuottanut todistettavaa tulosta, erityisesti kelluvan levän hajoamisen suhteen. Ubbink-puhdasvesitakuun myöntäminen edellyttää, että käyttöohjetta on noudatettu ja suodatettavalle lammikolle on valittu sopiva järjestelmä (BioPressure-suodatin ja suositeltu pumppu).

Takuun piiriin eivät kuulu:

- UV-C-lampun ja/tai UV-C-laitteen kvartsilasin rikkoutuminen tai vika
- Valitukset, jotka aiheutuvat asennus- ja käyttövirheistä, puutteellisesta hoidosta, jääytymisestä, epäasianmukaisista korjausyrityksistä, voimankäytöstä, ulkopuolisista tekijöistä, ylikuormituksesta tai vieraista aineista sekä kulumisen aiheuttamista osavahingoista.



Puhdasvesitakuu

Painesuodattimemme BioPressure II on varustettu korkealaatuisella UV-C-laitteella 11 wattia, erikoissuodatusosajärjestelmällä sekä integroidulla likavedenpoistolla. Tästä syystä voimme antaa sinulla puhdasvesitakuun puhtaasta ja terveellisestä vedestä.

Tämä takuu on voimassa 12 kuukautta ostopäivämäärästä lukien.

Puhdasvesitakuun hyväksikäyttöle edellyttämme, että

- BioPressure-suodattimen käyttöohjetta on noudatettu ja suodatettavalle lammelle on valittu sopiva järjestelmä (suodatin ja suositeltu pumppu).
- kuudennella viikolla käyttöönotosta lukien ei ole todistettavasti vielä onnistuttu lammen veden suodatuksessa, erityisesti kelluvan levän (vihreä vesi) poistossa.

Mahdollisesti ilmenevien ongelmien suhteen ota yhteyttä laitetta myyvään erikoisliikkeeseen.



Ympäristösuojelu

Vanhoja sähkölaitteita ei saa hävittää kotitalousjätteiden kanssa. Vie vanha laite paikalliseen keräyspisteeseen. Lisätietoja saat kauppialtaisi tai kodinkoneiden keräyspisteistä.



Szanowny Kliencie,

Gratulujemy Państwu zakupu wysokiej jakości produktu z serii filtrów do jezior Ubbink BioBalance.

W instrukcji obsługi otrzymają Państwo ważne wskazówki, które są przydatne podczas montażu, pierwszego uruchomienia i konserwacji filtra ciśnieniowego BioPressure. Prosimy o dokładne przeczytanie niniejszej instrukcji obsługi przed instalacją filtra a także o zapoznanie się z urządzeniem. Prosimy o bezwzględne przestrzeganie wskazówek dotyczących bezpieczeństwa, aby zapewnić prawidłowe i bezpieczne korzystanie z urządzenia. Prosimy o zachowanie niniejszej instrukcji obsługi!

Zakres dostawy

- 1 filtr ciśnieniowy BioPressure II z zintegrowanym urządzeniem UV-C
- 1 uniwersalna końcówka przewodu do węża 40-32-25-19mm, przezroczysta
- 2 uniwersalne końcówki przewodu do węża 40-32-25-19mm, czarne
- 3 uszczelki 1 ½"
- 1 pierścień śrubowy z zakrętką (szkło)
- 1 instrukcja obsługi

Dane techniczne

BioPressure II	3000	6000	10000	18000
Numer artykułu	1355408	1355409	1355410	1355413
Pojemność filtra	10 Litrów	10 Litrów	15 Litrów	25 Litrów
Środek filtrujący	Spezial–Etagenfiltermatte	Spezial–Etagenfiltermatte	Spezial–Etagenfiltermatte	Spezial–Etagenfiltermatte
Ciśnienie	max. 0,49 bar	max. 0,49 bar	max. 0,49 bar	max. 0,49 bar
Źródło promieniowania UV-C	PL-S 5 W	PL-S 9 W	PL-S 11 W	PL-L 18 W
Napięcie sieciowe / częstotliwość	230 VAC / 50 Hz	230 VAC / 50 Hz	230 VAC / 50 Hz	230 VAC / 50 Hz
Długość kabla	4,5 m	4,5 m	4,5 m	4,5 m
Moc UV-C po ok. 5000 godzinach	85%	85%	85%	85%
Numer artykułu wymiennego szkła kwarcowego UV-C.	1358765	1358766	1358730	1358767
Numer artykułu wymiennej żarówki UV-C	1355109	1355110	1355112	1355115
Maks. Objętość jeziora	3.000 Litrów	6.000 Litrów	10.000 Litrów	18.000 Litrów

Symbole i możliwe nastawy



Wpuszczanie wody do filtra



Wypuszczanie wody z filtra do jeziora



Wypuszczanie wody w trybie czyszczenia



Przełącznik funkcji „filtrowanie“



Przełącznik funkcji „czyszczenie“



Wskazówki bezpieczeństwa

OSTRZEŻENIE: Promienie UV są niebezpieczne dla oczu i skóry. Źródło promieniowania nie może być uruchamiane gdy zostało wyjęte z obudowy!

UWAGA: To urządzenie posiada źródło promieniowania UV-C. Niezamierzone uruchomienie lub uszkodzenie obudowy może doprowadzić do emisji niebezpiecznego promieniowania UV-C. Nawet niewielkie ilości promieniowania UV-C mogą doprowadzić do uszkodzeń oczu lub skóry.

- Zasilenie prądem musi odpowiadać specyfikacjom produktu. Nie należy podłączać urządzenia, jeżeli źródło zasilania nie spełnia wymaganych przepisów! Dalszych informacji może Państwu udzielić lokalny, certyfikowany elektryk.
- Obieg prądu dla urządzenia UV-C musi posiadać urządzenie różnicowo-prądowe (Fi lub RCD) o zabezpieczającej wartości znamionowej wynoszącej maksymalnie 30 mA.
- Przed każdorazowym zabiegiem (naprawa, instalacja, itp.) należy odłączyć urządzenie UV-C od sieci zasilania!
- Filtr ciśnieniowy wraz z urządzeniem UV-C nie może w żadnym wypadku być uruchamiany pod wodą i musi zostać zainstalowany obok jeziora, tak, aby nie było możliwe jego zalanie wodą.
- Instalacja filtra ciśnieniowego musi nastąpić w odległości min. 2 m od jeziora a podłączenie do sieci elektrycznej w odległości min. 3,5 m od jeziora lub zbiornika wodnego.
- Nie jest dozwolone otwieranie urządzenia UV-C ani należącego do niego części, jeżeli nie jest to wyraźnie wskazane w niniejszej instrukcji obsługi. Dotyczy to również dokonywania wprowadzania technicznych zmian urządzenia.
- Urządzenie UV-C jest wyposażone w przełącznik bezpieczeństwa, który przy otwarciu urządzenia automatycznie odłącza zasilanie.

PL Instrukcja obsługi Ubbink BioPressure II -3000/6000/10000/18000

- Wtyczkę oraz wszystkie miejsca podłączenia należy zawsze przechowywać w suchym miejscu. Kabel zasilający urządzenie UV-C należy poprowadzić w sposób szczególnie chroniony, aby zapobiec ewentualnym uszkodzeniom.
- Filtr ciśnieniowy może zostać uruchomiony dopiero po instalacji wszystkich pozostałych komponentów wraz z podłączeniami węży.
- Należy upewnić się że urządzenie jest wyłączone gdy nie przepływa przez nie woda.
- Filtr ciśnieniowy można stosować tylko przy temperaturze wody w zakresie od +5 °C do +35 °C.
- Urządzenie UV-C, które ewidentnie wskazuje na uszkodzenie nie może zostać uruchomione!
- Wymiana kabla sieciowego urządzenia UV-C nie jest możliwa. Jeżeli kabel jest uszkodzony należy odpowiednio zutylizować urządzenie UV-C.
- Filtr ciśnieniowy nie może być obsługiwany przez osoby (łącznie z dziećmi) z ograniczonymi możliwościami psychicznymi, sensorycznymi lub umysłowymi a także przez osoby nieposiadające doświadczenia i wiedzy, chyba, że są one nadzorowane przez osobę odpowiedzialną za ich bezpieczeństwo lub zostały poinstruowane w zakresie funkcjonowania urządzenia. Należy nadzorować dzieci, aby nie dopuścić do zabawy urządzeniem.

Zastosowanie

BioPressure II jest filtrem ciśnieniowym pracującym w sposób mechaniczny/biologiczny z zintegrowanym urządzeniem UV-C przeznaczonym do ustawienia przy jeziorze poniżej lub powyżej lustra wody. Przefiltrowana woda z jeziora może zostać także przepompowana do wyżej położonych spływów wód. Aby osiągnąć widoczne efekty podczas promieniowania UV-C woda z jeziora powinna zostać całkowicie przepompowana w ciągu 2 godzin (jeziora zarybione) lub 4 godzin (jeziora niezarybione)



Instalacja

UWAGA! Przed każdym zabiegiem (pierwszy montaż, czyszczenie, montaż lub wymiana lampy UV-C, itp.) należy najpierw odciąć zasilanie elektryczne urządzenia UV-C oraz pompy!

1. Należy ustalić miejsce ustawienia filtra BioPressure (uwzględniając wskazówki dotyczące bezpieczeństwa). Montaż filtra jest możliwy zarówno nad ziemią jak i zabudowany w ziemi. Podczas zakopywania filtra BioPressure do wysokości pokrywy należy zwrócić uwagę na to, aby filtr był ustawiony w poziomie i był dobrze podsypany ziemią lub piachem.

2. Duży gumowy pierścień uszczelniający należy na krawędź filtra. Szczególnie zwrócić uwagę na to, aby gumowy pierścień uszczelniający się nie przekręcił ani nie ułożył nierówno. Tylko wtedy mogą Państwo być pewni, że pokrywa może prawidłowo przylegać i nie dostanie się pod nią woda podczas eksploatacji.

Wskazówka: Należy zwinąć gumowy pierścień uszczelniający odrobnią wody a następnie nałożyć go trochę wyżej na krawędź zbiornika filtra. Podczas przyciskania pokrywy gumowy pierścień uszczelniający zsunie się w dół do prawidłowej pozycji.

3. Pokrywę docisnąć w odpowiedniej pozycji na obudowę filtra i następnie nałożyć pierścień zaciskowy na krawędź obudowy filtra i pokrywę następnie zamknąć filtr.

4. Wlot filtra (A): Uniwersalne końcówki przewodu na węże (czarne) przyciąć odpowiednio do wielkości węża i dokręcić na wlocie filtra. Przyciąć wąż na odpowiednią długość, na pompie i wlocie filtra zamocować końcówki przewodu i zabezpieczyć zaciskami. Pompę ustawić przy jeziorze na twardym podłożu bez błota czy piachu. Przed uruchomieniem pompy przeczytać instrukcję obsługi i przestrzegać wskazówek dotyczących bezpieczeństwa i minimalnej głębokości zanurzenia. Podczas mocowania końcówek przewodu zastosować odpowiednie pierścienie uszczelniające.

5. Wylot filtra (J): Prześroczystą uniwersalną końcówkę przewodu pasującą do węża przyciąć i dokręcić przy wlocie filtra. Wąż przyciąć na odpowiednią długość, jeden koniec węża natknąć na końcówkę przewodu i zabezpieczyć zaciskiem. Drugi koniec węża ułożyć do jeziora lub biegu wody. Podczas podłączania końcówki przewodu należy zastosować odpowiednie pierścienie uszczelniające. Jeżeli przefiltrowana woda zostanie ponownie skierowana do jeziora woda powinna wpływać do jeziora z wysokości ok. 15-20 cm.

6. Wypuszczanie zanieczyszczeń (I): Czarną uniwersalną końcówkę przewodu skrócić odpowiednio do węża i przykręcić przy wlocie zanieczyszczeń. Wąż przyciąć do odpowiedniej długości, natknąć końcówkę przewodu na jeden koniec węża i zabezpieczyć zaciskiem. Drugi koniec węża przełożyć do miejsca, do którego mają być odprowadzane zanieczyszczenia. Podczas podłączania końcówki przewodu zastosować odpowiednie pierścienie uszczelniające.

Wskazówka: Na czas trwania trybu filtrowania można ten wylot zamknąć zaślepką. W tym celu należy nakrętkę (szkło) zamocować na wlocie zanieczyszczeń i dokręcić przy pomocy pierścienia. Końcówkę przewodu wraz z węzłem pozostawić do przyszłego „czyszczenia”.

7. Zanim uruchomią Państwo filtr ciśnieniowy należy się upewnić, czy wszystkie połączenia węży i kabli są prawidłowe i czy filtr wraz z uszczelnieniem jest szczelnie zamknięty. Przełącznik funkcji (B) musi być ustawiony na pozycji „filtrowanie”.

8. Należy zawsze najpierw uruchamiać pompę i kontrolować czy woda równomiernie przepływa przez filtr ciśnieniowy i czy nie ma żadnych nieszczelnych połączeń przy filtrze i węzłach. Dopiero wtedy można uruchomić urządzenie UV-C.

9. Ważne jest, aby filtr ciśnieniowy pracował bez przerw. Tylko w celu konserwacji lub w okresie zimy filtr powinien zostać wyłączony całkowicie. Na okres rozwoju bakterii (6-8 tygodni) zalecamy pozostawienie wyłączonego urządzenia UV-C.

10. Jeżeli filtr ciśnieniowy ma zostać wyłączony i wyjęty z eksploatacji (konserwacja, okres zimowy) należy zawsze najpierw wyłączyć urządzenie UV-C. Dopiero potem należy wyłączyć pompę. I spuścić wodę z filtra.

Wskazówka: ten filtr ciśnieniowy BioPressure jest wyposażony w zestaw mat filtrujących, na których powierzchni mogą odkładać się takie zanieczyszczenia, które mogą spowodować, że po ok. 6-8 tygodniach po uruchomieniu filtra takie kultury bakterii się rozwiną, które są niebezpieczne do mechanicznego i biologicznego filtrowania. Należy zatem pozwolić, aby filtr zwinął w tym okresie pełnię swoich możliwości bez przerywania jego pracy częściowo lub całkowicie.

PL Instrukcja obsługi Ubbink BioPressure II -3000/6000/10000/18000



Konserwacja i czyszczenie

Uwaga! Przed każdym zabiegiem (pierwszy montaż, czyszczenie, montaż lub wymiana lampy UV-C, itp.) należy najpierw odciąć zasilanie elektryczne urządzenia UV-C oraz pompy!

Spuszczanie zanieczyszczeń

BioPressure II pracuje w dużej mierze bez konieczności konserwacji. Zależnie od stopnia zanieczyszczenia wody w jeziorze złogi zanieczyszczeń mogą zmniejszać możliwości filtracyjne. Dlatego powinni Państwo (w zależności od stopnia zanieczyszczenia) co dwa tygodnie wypłukiwać złogi zanieczyszczeń.

1. Jeżeli na spuście zanieczyszczeń jest zamontowana zaśleпка (szkło) należy ją usunąć i przyłączyć czarną uniwersalną końcówkę przewodu.
2. Przełącznik funkcji (B) ustawić na pozycję „czyszczenia” aż usłyszą Państwo kliknięcie. Woda powinna teraz wypływać z otworu spustu zanieczyszczeń.
3. Podczas „czyszczenia” istnieje możliwość przekręcenia przełącznika funkcji (B) na dół, aby w ten sposób lekko wycisnąć gąbki filtrujące bez wyjmowania ich z urządzenia. Należy to robić rozsądnie! Poprzez zbyt gwałtowne lub zbyt szybkie przekręcenie może pęknąć pierścien z tworzywa sztucznego.
5. Jeżeli już prawie czysta woda wypływa z filtra, należy przekręcić przełącznik funkcji do pozycji „filtrowanie”.
6. Teraz mogą Państwo ponownie zamontować zaślepkę (szkło) na spuście zanieczyszczeń.

Uwaga: Prosimy nie wypłukiwać całkowicie filtra. Zalegające tam kultury bakterii zostałyby wtedy częściowo lub całkowicie zniszczone, co mogłoby zmniejszyć zdolności filtracyjne aż do ponownego wzrostu liczby nowych bakterii.

Czyszczenie gąbek filtrujących

Jeżeli mimo przeprowadzonym spuszczeniu zanieczyszczeń ciśnienie we filtrze dalej rośnie należy przepłukać gąbki filtrujące. Pomocny jest tutaj wskaźnik kontrolny (D) na pokrywie. Ciśnienie normalne pomarańczowy pierścien jest na dole lub go nie widać.

Ciśnienie podwyższone pomarańczowy pierścien zaśłania zielony cylinder = konieczne czyszczenie.

1. Zawsze należy najpierw wyłączyć zintegrowane urządzenie UV-C a następnie pompę.
2. Należy usunąć wszystkie podłączone do filtra węże.
3. Należy otworzyć i usunąć zatrzask filtra (patrz rys. 1,2,3)
4. Podnieść pokrywę i odłożyć na czystej powierzchni, górą do dołu. (Patrz rys. 4).
5. Należy usunąć górną powierzchnię filtrującą poprzez lekkie przyciśnięcie ku dołowi pierścienia z tworzywa sztucznego a następnie lekkie obrócenie aż będzie można go podnieść. Należy teraz zdjąć pierwszą warstwę gąbek filtrujących i w ten sam sposób usunąć kolejne warstwy filtrujące, gąbki filtrujące i rury (patrz rys. 5,6,7,8,9,10).
6. Należy nacisnąć i umyć gąbki filtrujące pod bieżącą wodą z kranu.
7. Należy wypłukać pojemnik filtrujący wraz z pokrywą węzłem ogrodowym.
8. Należy zmontować gąbki filtrujące, warstwy filtrujące i rury w odwrotnej kolejności. Należy rozpocząć od dużej, niebieskiej gąbki filtrującej, potem na przemian żółta i niebieska.
9. Należy zwrócić uwagę na wyłobienia w pierścieniach z tworzywa sztucznego, aby gąbki filtrujące szczelnie przylegały do siebie. Przestrzenie lub zagniecenia mogą znacząco utrudnić montaż.
10. Pokrywę wcisnąć w odpowiedniej pozycji na obudowę filtra i następnie nałożyć pierścien zaciskowy na krawędź obudowy filtra i pokrywę i zamknąć filtr (patrz instalacja).

Wymiana lampy UV-C

Zintegrowane urządzenie UV-C filtru BioPressure jest wyposażone w lampę UV-C o żywotności około 8.000 godzin pracy. Po tym czasie wydajność pracy lampy jest na tyle zmniejszona, że należy wymienić lampę UV-C. Konieczna do wymiany lampa UV-C jest dostępna u autoryzowanego dystrybutora firmy Ubbink. Należy korzystać tylko z lamp, których specyfikacja odpowiada tabliczce znamionowej.

Wymiana lampy UV-C przebiega następująco:

1. Należy odkręcić uchwyt i kolejno wykręcić śruby z pokrywy UV-C, która jest przymocowana na filtrze (patrz rys. 11)
2. Należy zdjąć pokrywę UV-C, należy wyciągnąć ostrożnie lampę UV-C z gniazda następnie umieszczając w tym miejscu nową lampę UV-C. (Patrz rys. 12,13,14)
3. Należy ponownie nałożyć pokrywę UV-C i dokręcić jego i uchwyt. (Patrz rys. 15,16).

Uwaga: Lampa UV-C nie może być dotykana gołymi dłońmi!! Może to doprowadzić do jej uszkodzenia.

Czyszczenie szkła kwarcowego lampy UV-C / wymiana

Szkło kwarcowe UV-C należy przynajmniej dwa lub trzy razy do roku oczyścić z brudu i kamienia, zależnie od porostu alg w jeziorze i od zanieczyszczenia jeziora.

1. Należy wyłączyć najpierw zintegrowane urządzenie UV-C a następnie także pompę.
2. Aby uprościć prace konserwacyjne zalecamy całkowicie opróżnić filtr.
3. Należy usunąć pokrywę UV-C, tak jak opisano przy wymianie lampy UV-C.
4. Należy wyjąć lampę UV-C i zdjąć ostrożnie szkło kwarcowe UV-C z obudowy. Jest ono zatknięte i można je łatwo wyjąć. Pierścien gumowy zapobiega ślizganiu się.
5. Szkło kwarcowe UV-C należy czyścić wodą z kranu i miękką szmatką. **Uwaga!!** Należy przy tym unikać zarysowań na szkłe kwarcowym i nie dotykać szklanej kolby w miarę możliwości gołymi rękoma. Przez promieniowanie UV-C pot i tłuszcz wypalają się na szklanej kolbie i mogą doprowadzić do spadku sprawności urządzenia UV-C.
6. Należy wypłukać obudowę z tworzywa sztucznego, w którym zatknięte jest szkło kwarcowe, wodą a następnie wysuszyć ją przed ponownym montażem.
7. Szkło kwarcowe należy dokładnie osuszyć zanim je Państwo ponownie zamontują.
8. Ponownie włożyć lampę i zamknąć sekcję UV-C w odwrotnej kolejności.
9. Następnie zawsze najpierw uruchamiać pompę a potem dopiero urządzenie UV-C.

Magazynowanie/zimowanie

Filtr ciśnieniowy należy zdemontować podczas mrozów i przechowywać go w miejscu gdzie nie ma mrozu. Upřednio należy jednak przeprowadzić gruntowne czyszczenie filtra i sprawdzenie czy nie jest uszkodzony.



Problemy i rozwiązania:

Problem	Możliwa przyczyna	Rozwiązanie
Po 6 do 8 tygodniach nie zauważyli Państwo jeszcze żadnych pozytywnych skutków filtracji	Filtr nie pracuje przez 24 godziny na dobę, jest wyłączany np. na noc	Pozostawianie uruchomionego filtra bez przerwy
	Środki filtrujące zostały czyszczone w ciągu pierwszych 6 do 8 tygodni	Filtr powinien być uruchomiony przez pierwsze 6 do 8 tygodni bez czyszczenia
	Woda w jeziorze jest bardzo mocno zanieczyszczona	Należy wymienić wodę i usunąć algi
	Wyniki badań wody nie są w porządku, np. zbyt wysoka wartość pH	Regularnie badać wodę i ewentualnie korygować wyniki
	Woda w jeziorze ma zbyt niską zawartość tlenu	Zastosowanie aeratora w celu wyrównania spadku zawartości tlenu
	Zbyt wiele organizmów znajduje się w jeziorze	Norma: maks. 50-70 cm ryby (długość całkowita) Na każde 1.000 litrów objętości jeziora
	Filtr lub szkło kwarcowe UV-C jest zanieczyszczony	Należy wyczyścić odpowiednie elementy
	Urządzenie UV-C nie pracuje	Lampa UV-C jest uszkodzona lub trzeba ją wymienić Należy sprawdzić podłączenie do sieci elektrycznej
Nie ma wymiany wody poprzez wpływ i wypływ	Przełącznik ustawiony na „czyszczenie”	Ustawić przełącznik na „filtrowanie”
	Włot zatłoczony	Wyczyścić



Gwarancja

Na filtry BioPressure firma Ubbink udziela 3-letniej gwarancji na błędy materiałowe i produkcyjne, okres gwarancji biegnie od daty zakupu. Podstawą do uznania gwarancji jest przedłożenie oryginalnego dowodu zakupu (paragonu kasowego).

Na filtry BioPressure Ubbink udzielamy dodatkowo 12-miesięcznej gwarancji czystej i zdrowej wody. Gwarancja ta obowiązuje przez 12 miesięcy od daty zakupu, pod warunkiem, że od szóstego tygodnia po uruchomieniu filtra BioPressure nie stwierdzono w oczku żadnych zauważalnych efektów filtrowania wody, w szczególności nie stwierdzono zmniejszenia ilości alg pływających. Dodatkowym warunkiem uznania gwarancji klarownej wody, jaki stawia firma Ubbink, jest przestrzeganie instrukcji obsługi oraz stosowanie do filtrowania wody odpowiedniego systemu (filtra BioPressure i pompy o zalecanej przez producenta wielkości i wydajności).

Gwarancja nie są objęte:

- pęknięcia lub uszkodzenia szkła lampy UV-C i / lub szkła kwarcowego naświetlacza UV-C,
- uszkodzenia spowodowane błędami montażowymi i usługowymi, brakiem należytej pielęgnacji i konserwacji, oddziaływaniem mrozu, niefachowymi próbami napraw, oddziaływaniem siłą, uszkodzenia zawinione przez osoby trzecie, spowodowane przeciążeniem, uszkodzenia mechaniczne lub spowodowane oddziaływaniem ciał obcych, jak również uszkodzenia części spowodowane ich zużyciem.



Gwarancja czystości

Nasz filtr ciśnieniowy BioPressure II jest wyposażony w wysokiej jakości urządzenie UV-C 11 Watt, w specjalny system mat filtrujących a także w zintegrowany spust ścieków. To umożliwia nam danie Państwu gwarancji czystości, że woda będzie zdrowa i czysta!

Ta gwarancja jest ważna przez 12 miesięcy od daty zakupu.

Warunkami udzielenia gwarancji czystości są:

- przestrzeganie instrukcji obsługi i dobranie odpowiedniego systemu (filtr i zalecana pompa) do danego oczyszczanego jeziora.
- niez uzyskanie żadnego mierzalnego efektu filtracji wody w jeziorze po przynajmniej 6 tygodniach stosowania, szczególnie w usuwaniu alg (zielona woda).

W przypadku pojawienia się ewentualnych problemów prosimy o kontaktowanie się z Państwa autoryzowanym dystrybutorem.



Ochrona środowiska

Urządzeń elektrycznych nie należy usuwać z odpadami domowymi. Prosimy o dostarczenie zużytego urządzenia do lokalnego punktu zbiorczego. Blizsze informacje uzyskasz w Twoim punkcie handlowym lub w firmie recyklingowej.



Уважаемый потребитель!

поздравляем вас с приобретением продукта из серии высококачественных фильтров для очистки прудовой воды Ubbink BioBalance. Данная инструкция по эксплуатации содержит важную информацию о монтаже и вводе в эксплуатацию напорного фильтра BioPressure, а также об уходе за ним. Перед установкой фильтра внимательно прочитайте данную инструкцию по эксплуатации и ознакомьтесь с устройством. С целью обеспечения исправности и безопасности обязательно соблюдайте указания по технике безопасности. Сохраните данную инструкцию по эксплуатации!

Объем поставки

- 1 напорный фильтр BioPressure II с встроенным коротковолновым ультрафиолетовым облучателем
- 1 универсальная шланговая насадка 40-32-25-19 мм, прозрачная
- 2 универсальные шланговые насадки 40-32-25-19 мм, черные
- 3 уплотнительных кольца 1 ½”
- 1 резьбовое кольцо с запорным колпачком (стекло)
- 1 инструкция по эксплуатации

Технические характеристики

BioPressure II	3000	6000	10000	18000
Арт. №	1355408	1355409	1355410	1355413
Объем фильтра	10 Л	10 Л	15 Л	25 Л
Фильтрующий материал	Специальный ярусный фильтрующий слой	Специальный ярусный фильтрующий слой	Специальный ярусный фильтрующий слой	Специальный ярусный фильтрующий слой
Нагрузка под давлением	макс. 0,49 бар	макс. 0,49 бар	макс. 0,49 бар	макс. 0,49 бар
Коротковолновый ультрафиолетовый облучатель	PL-S 5 W	PL-S 9 W	PL-S 11 W	PL-L 18 W
Напряжение сети / частота	230 В переменного тока / 50 Гц	230 В переменного тока / 50 Гц	230 В переменного тока / 50 Гц	230 В переменного тока / 50 Гц
Длина кабеля	4,5 м	4,5 м	4,5 м	4,5 м
Мощность облучения коротковолновыми ультрафиолетовыми лучами приibl. через 5000 ч	85%	85%	85%	85%
Артикульный номер для запасного кварцевого стекла для облучения коротковолновыми ультрафиолетовыми лучами	1358765	1358766	1358730	1358767
Артикульный номер для запасной УФ лампы (спектр C)	1355109	1355110	1355112	1355115
Макс. объем пруда	3.000 Л	6.000 Л	10.000 Л	18.000 Л

Символы и возможности настройки



Впуск воды от насоса к фильтру



Выпуск воды из фильтра в пруд



Выпуск воды в режиме очистки



Функциональный переключатель «Режим фильтрации»



Функциональный переключатель «Режим очистки»



Указания по безопасности

ПРЕДУПРЕЖДЕНИЕ: Ультрафиолетовые лучи опасны для глаз и кожи. Не допускается эксплуатация коротковолнового ультрафиолетового облучателя после извлечения из корпуса устройства!

ВНИМАНИЕ: Данное устройство содержит коротковолновый ультрафиолетовый облучатель! Непреднамеренное использование устройства или повреждение корпуса может привести к выходу опасных коротковолновых ультрафиолетовых лучей. Коротковолновое ультрафиолетовое излучение может причинить вред глазам и коже даже при небольшой дозировке.

- Система электропитания должна соответствовать спецификации на продукт. Не подключайте коротковолновый ультрафиолетовый облучатель, если система электропитания не соответствует установленным предписаниям! Для получения дополнительной информации обращайтесь к местному признанному электромонтеру.

- Электрическая цепь для коротковолнового ультрафиолетового облучателя должна быть защищена посредством автоматического предохранительного выключателя, действующего при появлении тока утечки (FI или RCD), ток утечки макс. 30 мА.
- Перед каждым вмешательством (установка, техническое обслуживание и т.д.) необходимо отключить коротковолновый ультрафиолетовый облучатель от сети!
- Ни при каких обстоятельствах не допускается применение напорного фильтра включ. коротковолновый ультрафиолетовый облучатель под водой, его следует устанавливать рядом с прудом так, чтобы исключить возможность затопления.
- Установку напорного фильтра следует осуществлять на расстоянии не менее 2 м, подключение к источнику тока следует производить на расстоянии не менее 3,5 м от пруда или водоёма.
- Не допускается открывать коротковолновый ультрафиолетовый облучатель или соответствующие компоненты при отсутствии прямых указаний на этот счет в данной инструкции по эксплуатации. Это касается и технических изменений устройства.
- Коротковолновый ультрафиолетовый облучатель оборудован защитным выключателем, автоматически прерывающим подачу электропитания при открытии устройства.
- Сетевой штепсель и все гнезда для подключения должны всегда быть сухими. Соединительный кабель коротковолнового ультрафиолетового облучателя необходимо прокладывать с соответствующей защитой во избежание возможных повреждений.
- Ввод напорного фильтра в эксплуатацию допускается только после установки всех компонентов и шланговых соединений.
- Убедитесь, что устройство выключено, когда через него не протекает вода.
- Эксплуатация напорного фильтра допускается лишь при температуре воды от +5 °С до +35 °С.
- Не допускается эксплуатация коротковолнового ультрафиолетового облучателя при наличии очевидных повреждений!
- Замена кабеля сетевого питания коротковолнового ультрафиолетового облучателя невозможна. В случае повреждения кабеля следует надлежащим образом утилизировать коротковолновый ультрафиолетовый облучатель.
- Напорный фильтр не предназначен для использования лицами (включая детей) с ограниченными физическими, сенсорными или умственными способностями либо с недостаточным уровнем знаний и опыта за исключением случаев, когда они находятся под наблюдением ответственных за их безопасность лиц или когда они получили указания относительно использования устройства. Необходимо контролировать детей и наблюдать за тем, чтобы они не играли с устройством.

Применение

BioPressure II представляет собой механический/биологический напорный фильтр с встроенным коротковолновым ультрафиолетовым облучателем для установки рядом с прудом выше или ниже поверхности воды. Отфильтрованная прудовая вода может быть подана с помощью напорного фильтра в том числе к расположенным выше водопадам. Для достижения оптимального результата при облучении ультрафиолетовыми лучами вся вода из пруда должна не менее одного раза пройти через фильтр по циркуляционному контуру; продолжительность обработки: 2 часа (зарыбленный пруд) или 4 часа (пруд без рыбы).



Установка

ВНИМАНИЕ! Перед каждым вмешательством (первичный монтаж, очистка, установка и замена УФ лампы (спектр С) и т.д.) следует сначала прервать подачу электропитания к коротковолновому ультрафиолетовому облучателю и насосу!

1. Определите место установки фильтра BioPressure (учитывать указания по технике безопасности). Фильтр можно устанавливать как над землей, так и под землей. При закапывании фильтра BioPressure до уровня крышки следует наблюдать за тем, чтобы фильтр стоял ровно по горизонтали и был хорошо засыпан землей или песком.
2. Поместите большое резиновое уплотнительное кольцо на края отстойника фильтра. При этом надо обязательно проследить за тем, чтобы резиновое уплотнительное кольцо при установке не перекрутилось и не сместилось. Только в этом случае можно быть уверенным в том, что крышка будет установлена правильно и в дальнейшем между обеими частями фильтра не будет выступать вода.
Совет: Увлажните резиновое уплотнительное кольцо небольшим количеством воды и поместите его немного выше на верхнем крае фильтровального резервуара. Когда вы прижмете крышку, резиновое уплотнительное кольцо опустится вниз в надлежащее положение.
3. Прижать крышку к корпусу фильтра в надлежащем положении, затем установить зажимное кольцо над краем корпуса фильтра и крышки и закрыть фильтр.
4. Впуск фильтра (А):
укоротить универсальную шланговую насадку (черную) для прудового шланга и привинтить ее к впуску фильтра.
Укоротить прудовой шланг до необходимой длины, поместить в шланговую насадку насоса и впуска фильтра и зафиксировать с помощью шлангового хомута. Установить насос в пруду на устойчивом основании, свободном от ила и песка. Перед вводом насоса в эксплуатацию прочитайте инструкцию по эксплуатации и соблюдать указания по технике безопасности, а также предписание о минимальной глубине погружения. При присоединении шланговой насадки использовать соответствующие уплотнительные кольца.
5. Выпуск фильтра (J):
укоротить прозрачную универсальную шланговую насадку для прудового шланга и привинтить ее к выпуску фильтра.
Укоротить прудовой шланг до необходимой длины, затем поместить конец шланга в шланговую насадку и зафиксировать с помощью шлангового хомута. Другой конец шланга поместить в пруд или к водопаду. При присоединении шланговой насадки использовать соответствующее уплотнительное кольцо. При возврате профильтрованной воды напрямую в пруд вода должна течь с высоты ок. 15-20 см.
6. Сливное отверстие (I):
укоротить черную универсальную шланговую насадку для прудового шланга и привинтить ее к сливному отверстию. Укоротить прудовой шланг до необходимой длины, поместить конец шланга в шланговую насадку и зафиксировать с помощью шлангового хомута. Другой конец шланга провести к месту утилизации загрязненной воды. При присоединении шланговой насадки использовать соответствующее уплотнительное кольцо.
Указание: Во время фильтрации это выпускное отверстие можно также закрыть колпачком. С этой целью следует поместить запорный колпачок (стекло) на сливное отверстие и привинтить его.
Снять шланговую насадку с шлангом для последующего «Режима очистки».
7. Перед вводом напорного фильтра в эксплуатацию еще раз убедитесь в том, что все кабельные и шланговые соединения находятся на надлежащих местах, а фильтр хорошо закрыт уплотнением. Функциональный переключатель (В) должен быть установлен в положение «Фильтрация».
8. Сначала всегда следует включать насос и проверять, проходит ли вода через напорный фильтр равномерно и нет ли на фильтре и шланговых соединениях течи. Только после этого включить коротковолновый ультрафиолетовый облучатель.
9. Важно обеспечить непрерывное функционирование напорного фильтра. Полностью отключать фильтр следует только для проведения технического обслуживания и на зимний период. Мы рекомендуем на протяжении формирования культуры бактерий (6-8 недель) не выключать коротковолновые ультрафиолетовый облучатель.
10. При необходимости вывезти напорный фильтр из эксплуатации (в случае технического обслуживания или на зимний период) сначала следует выключить коротковолновый ультрафиолетовый облучатель. Только после этого отключить насос и слить воду из фильтра.
Указание: данный напорный фильтр BioPressure оснащен комплектом фильтрующих прокладок, на поверхности которых могут оседать такие частицы загрязнений и взвешенные вещества, которые способствуют образованию и развитию в течение ок. 6-8 недель после ввода фильтра в эксплуатацию бактериальных культур, необходимых как для механической, так и для биологической фильтрации. Поэтому не прерывайте на протяжении этого времени частично или полностью работу напорного фильтра и предоставьте ему возможность проявить все свои свойства.



Техобслуживание и чистка

ВНИМАНИЕ! Перед каждым вмешательством (первичный монтаж, очистка, установка и замена УФ лампы (спектр С) и т.д.) следует сначала прервать подачу электропитания к коротковолновому ультрафиолетовому облучателю и насосу!

Удаление загрязнений

BioPressure II большей частью не требует технического обслуживания. В зависимости от степени загрязнения прудовой воды отложения загрязнений могут ухудшать эффект очистки. Поэтому (в зависимости от степени загрязнения) необходимо смывать отложения загрязнений приблизительно раз в 2 недели.

1. Если на сливном отверстии установлен запорный колпачок (стекло), удалите его и присоедините черную универсальную шланговую насадку.
2. Поверните функциональный переключатель (В) в положение «Режим очистки», чтобы прозвучал тихий щелчок. Теперь вода вытекает из сливного отверстия (I).
3. Во время функционирования «Режима очистки» имеется возможность опустить функциональный переключатель (В) вниз, чтобы слегка выжать фильтровальные губки, не извлекая их из устройства. Действуйте при этом осторожно! Слишком быстрое и сильное отжатие может привести к помлоке внутреннего пластмассового кольца.
5. Когда из фильтра будет вытекать почти прозрачная вода, поверните функциональный переключатель обратно в положение «Режим фильтрации».
6. Теперь можно снова установить на сливное отверстие запорный колпачок (стекло).

Указание: Не вымывайте фильтр полностью. Это приведет к частичному или полному разрушению бактериальных культур, в результате чего эффективность очистки снизится до образования новых культур.

Очистка фильтровальной губки

Если несмотря на удаление загрязнений давление в фильтре продолжает повышаться, необходимо промыть фильтровальную губку. Помощь в этом окажет контрольный индикатор (D) на верхней стороне крышки.

Нормальное давление Оранжевый круг внизу / не виден.

Повышенное давление Оранжевый круг перекрывает зеленый цилиндр = требуется очистка.

1. Всегда сначала выключайте встроенный коротковолновый ультрафиолетовый облучатель, а затем насос.
2. Удалите все шланговые соединения фильтра
3. Откройте и удалите запорную скобу фильтра (см. Рис. 1, 2, 3)
4. Снимите крышку и поместите ее на чистой поверхности верхней стороной вниз (см. Рис. 4).
5. Удалите верхнее дно фильтра, сначала слегка нажав на пластмассовое кольцо, а затем слегка повернув его, пока оно не приподнимется. Теперь снимите первый слой фильтровальной губки и удалите таким же образом каждое следующее дно фильтра, а также остальные фильтровальные губки и трубки (см. Рис. 5, 6, 7, 8, 9, 10).
6. Хорошо промойте фильтровальные губки водопроводной водой.
7. Сполосните отстойник фильтра и крышку с помощью садового шланга.
8. Установите фильтровальные губки, дно фильтра и трубки в обратной последовательности. Начните с большой синей фильтровальной губки, затем чередуйте желтые и синие.
9. Обращайте внимание на выемки в пластмассовых кольцах и фильтровальных губках, чтобы обеспечить плотное прилегание губок друг к другу. Промежутки и смещение могут значительно осложнить монтаж.
10. Прижать крышку к корпусу фильтра в надлежащем положении, затем установить зажимное кольцо над краем корпуса фильтра и крышки и закрыть фильтр (см. Установка).

Замена УФ лампы (спектр С)

Встроенный в фильтр BioPressure коротковолновый ультрафиолетовый облучатель оснащен УФ лампой (спектр С) со сроком службы ок. 8000 часов эксплуатации. По истечении этого времени мощность облучения коротковолновыми ультрафиолетовыми лучами снижается до такой степени, что требуется замена УФ лампы (спектр С). Необходимую запасную УФ лампу (спектр С) можно приобрести у вашего дилера Ubbink. Используйте только такие УФ лампы (спектр С), название и мощность которых соответствуют указанию на заводской табличке.

Чтобы заменить УФ лампу (спектр С), нужно выполнить указанные ниже действия:

1. Отвинтите рукоятку и выверните затем винты из крышки, зафиксированной на фильтре (см. Рис. 11).
2. Снимите крышку, осторожно извлеките УФ лампу (спектр С) из патрона и затем осторожно установите запасную лампу. (см. Рис. 12, 13, 14)
3. Установите крышку и привинтите ее и рукоятку (см. Рис. 15, 16).

Внимание: Не прикасайтесь к УФ лампе (спектр С) голыми руками! Это может повредить лампу.

Очистка / замена кварцевого стекла для облучения коротковолновыми ультрафиолетовыми лучами

Кварцевое стекло для облучения коротковолновыми ультрафиолетовыми лучами следует очищать от загрязнений и отложений известки не менее двух-трех раз в год, в зависимости от скорости роста водорослей и степени загрязнения прудовой воды.

1. Всегда сначала выключайте встроенный коротковолновый ультрафиолетовый облучатель, а затем насос.
2. С целью упрощения работ по техническому обслуживанию мы рекомендуем полностью опорожнить фильтр.
3. Снимите крышку согласно описанию в разделе Замена УФ лампы (спектр С).
4. Удалите УФ лампу (спектр С) и осторожно извлеките из корпуса кварцевое стекло для облучения коротковолновыми ультрафиолетовыми лучами. Это стекло просто вставлено, и извлечь его несложно. Резиновое кольцо предотвращает смещение.
5. Очистите кварцевое стекло для облучения коротковолновыми ультрафиолетовыми лучами с помощью водопроводной воды и мягкой тряпки.
Внимание! Постарайтесь при этом не оставить на кварцевом стекле царапины и по возможности не прикасаться руками напрямую к стеклянной колбе. В результате коротковолнового ультрафиолетового излучения жир выгорает на стеклянной колбе, что может привести к снижению мощности коротковолнового ультрафиолетового облучателя.
6. Промойте водой пластмассовый корпус, в котором находится кварцевое стекло для облучения коротковолновыми ультрафиолетовыми лучами, и перед монтажом высушите корпус.
7. Перед установкой тщательно высушить кварцевое стекло для облучения коротковолновыми ультрафиолетовыми лучами.
8. Установить УФ лампу (спектр С) и закрыть блок коротковолнового ультрафиолетового облучателя в обратной последовательности.
9. Потом включить сначала насос, а затем коротковолновый ультрафиолетовый облучатель.

Хранение, в том числе в зимний период

В мороз следует демонтировать напорный фильтр и хранить его в помещении, защищенном от мороза. Однако перед этим следует выполнить тщательную очистку и проверку устройства на наличие повреждений.



Проблемы и их решение:

Проблема	Возможная причина	Решение
Через 6-8 недель не появились положительные результаты фильтрования	Фильтр не работает 24 ч в сутки, например, отключается на ночь	Обеспечить непрерывную работу фильтра
	Фильтрующий материал очищен в течение первых 6-8 недель	Не очищать фильтр на протяжении первых 6-8 недель
	Прудовая вода крайне загрязнена	Поменяйте воду и удалите водоросли
	Характеристики воды не в порядке, например, значение pH слишком высокое	Регулярно проверять и при необходимости корректировать характеристики воды
	Прудовая вода имеет слишком низкое содержание кислорода	Использование вентиляционного насоса с целью компенсации потерь кислорода
	В пруду находится слишком много живых существ	Рекомендация: макс. 50-70 см рыбы (общая длина) на пруд объемом 1000 л
Фильтр или кварцевое стекло для облучения коротковолновыми ультрафиолетовыми лучами загрязнены		Очистите соответствующие детали
	Коротковолновый ультрафиолетовый облучатель не работает	УФ лампа (спектр C) повреждена и должна быть заменена Проверьте подключение к сети
Отсутствие водообмена через входы / выходы	Переключатель установлен в положение «Очистка»	Установить переключатель в положение «Фильтрация»
	Вход засорен	Очистить



Гарантийные обязательства

Мы предоставляем гарантию на фильтр BioPressure производства компании «Уббинк» на 3 года, начиная с даты покупки, при браке материала и производственным браке. Чтобы воспользоваться гарантией, должен быть предъявлен оригинал товарного чека в качестве подтверждения покупки.

Дополнительно мы предоставляем на фильтр BioPressure производства компании «Уббинк» 12-месячную гарантию прозрачности воды на чистую и здоровую воду. Данная гарантия действует в течение 12 месяцев с даты покупки при условии, что начиная с шестой недели после ввода в эксплуатацию фильтра BioPressure всё ещё нет доказуемых успехов при фильтрации прудовой воды, особенно это касается сокращения количества взвешенных водорослей (ответственных за «зеленую воду»). Гарантию прозрачности воды предоставляет компанией «Уббинк» при условии, что руководство по эксплуатации соблюдается и что для пруда, вода в котором должна фильтроваться, выбрана подходящая система (фильтр BioPressure и рекомендованный насос).

Под действие гарантии не подпадают:

- Бой стекла или дефект УФ-лампы и/или кварцевого стекла облучателя УФС.
- Рекламации, причиной которых послужили ошибки при монтаже и эксплуатации, недостаточный уход, воздействие низких температур, неквалифицированные попытки ремонта, применение силы, вина других лиц, перегрузка или воздействие инородных тел, а также все повреждения частей по причине износа.



Гарантия на осветленную воду

Наш напорный фильтр BioPressure II оснащен высококачественным коротковолновым ультрафиолетовым облучателем (11 Вт), специальной системой фильтрующих прокладок и сливным отверстием для загрязненной воды. Это позволяет нам предоставить вам гарантию чистой и здоровой воды!

Гарантия действительна в течение 12 месяцев с момента покупки.

Возмещение убытков по гарантии на осветленную воду предполагает, что

- инструкция по эксплуатации BioPressure соблюдалась и была выбрана система (фильтр и рекомендуемый насос), подходящая для фильтруемого пруда;
- имеется документальное подтверждение того, что после шестой недели с момента ввода в эксплуатацию положительный результат в фильтрации прудовой воды не достигнут, в частности, водоросли не удаляются (зеленая вода).

В случае возникновения проблем обращайтесь к своему дилеру.



Охрана окружающей среды

Электроприборы нельзя выбрасывать в мусор вместе с домашними отходами. Просьба сдавать старую аппаратуру на Вашем местном сборном пункте. Дополнительную информацию Вы можете получить в специализированном магазине или на предприятии по утилизации отходов.



Poštovani kupče,

Čestitamo vam na kupnji proizvoda iz serije visokokvalitetnih filtera za vrtna jezera Ubbink BioBalance.

U ovim uputama za uporabu naći ćete važne informacije koje će vam pomoći pri montaži i puštanju u pogon vašeg tlačnog filtra BioPressure. Molimo da prije instalacije filtra pažljivo pročitate ove upute za uporabu i upoznate se s uređajem. Obavezno obratite pozornost na sigurnosne napomene za ispravnu i sigurnu uporabu. Molimo da pažljivo sačuvate ove upute za uporabu!

Opseg isporuke

- 1 tlačni filtar BioPressure II s integriranim UV-C uređajem
- 1 univerzalni crijevni tuljак 40-32-25-19 mm, proziran
- 2 univerzalna crijevna tuljaka 40-32-25-19 mm, crna
- 3 brtvena prstena 1 ½"
- 1 vijčani prsten s poklopcem (stakleni)
- 1 upute za uporabu

Tehnički podatci

BioPressure II	3000	6000	10000	18000
Art. br.	1355408	1355409	1355410	1355413
Sadržaj filtra	10 Litara	10 Litara	15 Litara	25 Litara
Medij za filtriranje	Specijalni etažni filterski uložak	Specijalni etažni filterski uložak	Specijalni etažni filterski uložak	Specijalni etažni filterski uložak
Tlačno opterećenje	max. 0,49 bar	max. 0,49 bar	max. 0,49 bar	max. 0,49 bar
UV-C lampa	PL-S 5 W	PL-S 9 W	PL-S 11 W	PL-L 18 W
Mrežni napon / frekvencija	230 VAC / 50 Hz	230 VAC / 50 Hz	230 VAC / 50 Hz	230 VAC / 50 Hz
Duljina kabela	4,5 m	4,5 m	4,5 m	4,5 m
Snaga UV-C nakon oko 5000 sati	85%	85%	85%	85%
Art. br. za zamjensko kvarcno UV-C staklo	1358765	1358766	1358730	1358767
Art. br. za zamjensku UV-C lampu	1355109	1355110	1355112	1355115
Maks. sadržaj vrtnog jezera	3.000 Litara	6.000 Litara	10.000 Litara	18.000 Litara

Simboli i mogućnosti namještanja



Ulaz vode od crpke do filtra



Izlaz vode od filtra na vrtno jezerce



Izlaz vode u pogonu čišćenja



Funkcijska sklopka „Pogon filtra“



Funkcijska sklopka „Pogon čišćenja“



Sigurnosne napomene

UPOZORENJE: UV zračenje opasno je za oči i kožu. UV-C lampa ne smije se koristiti kada se izvadi iz kućišta uređaja!

POZOR: ovaj uređaj opremljen je UV-C lampom! Nehotična uporaba uređaja ili oštećivanje uređaja mogu dovesti do opasnog UV-C zračenja. UV-C zračenje može i u maloj mjeri oštetiti oči i kožu.

- Napajanje strujom treba odgovarati specifikacijama proizvoda. Ne priključujte UV-C uređaj na struju ako napajanje strujom ne ispunjava specificirane propise! Daljnje informacije možete dobiti od lokalnog, ovlaštenog elektroinstalatera.
- Strujni krug za UV-C uređaj mora biti osiguran napravom za zaštitu od struje kvara (FI odn. RCD) s nazivnom strujom greške od maks. 30 mA.
- Prije svakog zahvata (instalacije, održavanja itd.) UV-C uređaj trebate odvojiti od mreže!
- Tlačni filtar uklj. UV-C uređaj se ni u kojem slučaju ne smije puštati u pogon pod vodom i treba ga ugraditi pored vrtnog jezera na način da se isključi njegovo preplavlivanje.
- Tlačni filtar treba se ugraditi na udaljenosti većoj od 2 m, a priključak struje na udaljenosti većoj od 3,5 m od vrtnog jezera odnosno bazena.
- Nije dopušteno otvarati UV-C uređaj ili pripadajuće dijelove ako to nije izričito navedeno u ovim uputama za uporabu. Isto vrijedi i za tehničke promjene na uređaju.
- UV-C uređaj ima zaštitnu sklopku koja u slučaju otvaranja uređaja automatski prekida dovod struje.
- Mrežni utikač i sva priključna mjesta trebaju uvijek biti suha. Priključni kabel UV-C uređaja trebao bi se polagati zaštićeno kako bi se izbjegla eventualna oštećenja.
- Tlačni uređaj smije se pustiti u pogon tek nakon što se izvrši ugradnja svih komponenti i priključaka za crijeva.
- Osigurajte da je uređaj isključen kada voda ne struji kroz uređaj.
- Tlačni filtar smije se upotrebljavati samo kada je temperatura vode od +5 °C do +35 °C. Ne smijete upotrebljavati UV-C uređaj koji ima vidljiva oštećenja!

Upute za uporabu Ubbink BioPressure II -3000/6000/10000/18000

- Zamjena mrežnog kabela na UV-C uređaju nije moguća. Ako se kabel ošteti, UV-C uređaj treba stručno zbrinuti.
- Tlačni filtar nije namijenjen za to da ga upotrebljavaju osobe (uključujući djecu) sa smanjenim fizičkim, osjetilnim ili mentalnim sposobnostima ili osobe koje nemaju iskustva ni znanja, osim ako ih ne nadzire osoba odgovorna za njihovu sigurnost ili su od dotične osobe dobili upute o uporabi uređaja. Djecu treba nadzirati kako biste osigurali da se ne igraju s uređajem.

Uporaba

BioPressure II je mehanički / biološki tlačni filtar s integriranim UV-C uređajem za postavljanje pored vrtnog jezercera iznad ili ispod razine vode. Filtrirana voda iz jezercera može se kroz tlačni filtar pumpati i do vodopada koji su na višoj razini. Da biste postigli vidljive rezultate kod UV-C zračenja, voda iz vrtnog jezercera trebala bi se u roku od 2 sata (jezercer s ribama) ili 4 sata (jezercer bez riba) minimalno jednom u potpunosti filtrirati.



Instalacija

POZOR! Prije svakog zahvata (prva montaža, čišćenje, ugradnja i promjena UV-C lampe itd.) trebate najprije prekinuti dovod struje UV-C uređaja i crpke!

1. Odredite mjesto za filtar BioPressure (obratite pozornost na sigurnosne napomene). Filtar se može ugraditi iznad zemlje, ali i u zemlju. Kod zakapanja filtra BioPressure do visine poklopcera treba paziti na to da je filtar u vodoravnom položaju i da se dobro zatpra zemljom odnosno pijeskom.
 2. Umetnite veliki gumeni brtveni prsten u rub lonca filtra. Pritom obavezno pazite na to da se gumeni brtveni prsten ne iskrene ili deformira pri umetanju. Samo na taj način možete biti sigurni da je poklopac ispravno postavljen i da kasnije voda neće izlaziti između dva dijela filtra.
Savjet: Navlažite gumeni brtveni prsten s malo vode i postavite ga malo povišeno na gornji rub spremnika filtra. Dok pritišćete poklopac, gumeni brtveni prsten će se postaviti prema dolje na svoj položaj.
 3. Postavite poklopac na kućište filtra na njegov položaj, a zatim postavite zatezni prsten preko ruba kućišta filtra i poklopcera i zatvorite filtar.
 4. Ulaz filtra (A):
skratite univerzalni crijevni tuljak (crni) tako da odgovara crijevu za vrtno jezercer i zavijte ga na ulaz filtra.
Skratite crijevo za vrtno jezercer na potrebnu duljinu, natakните ga na crpku i ulazu filtra na tuljke crijeva i osigurajte stezaljkama za crijeva. Postavite crpku u vrtnom jezercu na čvrsto tlo na kojem nema mulja i pijeska. Pri puštanja crpke u pogon pročitajte upute za uporabu te obratite pozornost na sigurnosne napomene te podatke o minimalnoj dubini uranjanja. Pri priključivanju crijevnih tuljaka upotrijebite odgovarajuće brtvene prstene.
 5. Izlaz filtra (J):
skratite prozirani univerzalni crijevni tuljak tako da odgovara crijevu za vrtno jezercer i zavijte ga na izlaz filtra.
Skratite crijevo za vrtno jezercer na potrebnu duljinu, zatim jedan kraj crijeva natakните na crijevni tuljak i osigurajte stezaljkom za crijevo. Drugi kraj crijeva postavite natrag do vrtnog jezercera odnosno od vodopada. Pri priključivanju crijevnih tuljaka upotrijebite odgovarajući brtveni prsten. Ako se filtrirana voda vodi natrag izravno do vrtnog jezercera, voda bi u vrtno jezercer trebala padati s visine od oko 15 - 20 cm.
 6. Ispust za prljavštinu (I):
skratite crni univerzalni crijevni tuljak tako da odgovara crijevu za vrtno jezercer i zavijte ga na ispušć za prljavštinu. Skratite crijevo za vrtno jezercer na potrebnu duljinu, jedan kraj crijeva natakните na crijevni tuljak i osigurajte stezaljkom za crijevo. Drugi kraj crijeva položite do mjesta na kojem se treba zbrinuti prljava voda. Pri priključivanju crijevnoг tuljka upotrijebite odgovarajući brtveni prsten.
- Napomena:** Za trajanje filtriranja ispušć možete zatvoriti i poklopcem. U tu svrhu postavite poklopac (stakleni) na ispušć za prljavštinu i zavijte prsten. Uklonite crijevni tuljak za kasniji „Pogon čišćenja“.
7. Prije nego tlačni pogon pustite u pogon, još jednom osigurajte da su svi kabelski spojevi i priključci crijeva ispravno dosjeli i da je filtar dobro zatvoren brtvom. Funkcijska sklopka (B) mora biti okrenut na „Funkciju filtriranja“.
 8. Uvijek najprije uključite crpku i provjerite da voda ravnomjerno prolazi kroz tlačni filtar i da nema propušćanja na filtru i crijevnim spojevima. Tek nakon toga uključite UV-C uređaj.
 9. Važno je da je tlačni filtar neprekidno u pogonu. Filtar bi se u potpunosti trebao isključiti samo u svrhu održavanja i tijekom zimskog razdoblja. Za vrijeme razvoja bakterija (6 - 8 tjedana) preporučujemo da UV-C uređaj ostavite isključenim.
 10. Ako se tlačni filtar treba staviti van pogona (održavanje i zimsko razdoblje), najprije treba isključiti UV-C uređaj. Tek nakon toga isključite crpku i ispušćte vodu iz filtra.

Napomena: ovaj tlačni filtar BioPressure opremljen je setom filtarskih uložaka na čijim se strukturama mogu taložiti takve čestice prljavšćine i lebdeće čestice koje doprinose tome da se u roku od oko 6 - 8 tjedana nakon pušćanja filtra u pogon razviju bakterijske kulture koje su potrebne za mehaničko, ali i biološko filtriranje. Stoga omogućite da tlačni filtar u tom razdoblju u potpunosti postigne svoja svojstva filtriranja a da se ona djelomično ili kompletno ne prekinu.

Upute za uporabu Ubbink BioPressure II -3000/6000/10000/18000



Održavanje i čišćenje

POZOR! Prije svakog zahvata (prva montaža, čišćenje, ugradnja i promjena UV-C lampe itd.) trebate najprije prekinuti dovod struje UV-C uređaja i crpke!

Ispušćanje prljavšćine

BioPressure II radi većinom bez održavanja. Međutim, ovisno o stupnju nečistoće vode u vrtnom jezercu naslage prljavšćine mogu umanjiti efekć čišćenja. Stoga bi se (ovisno o stupnju nečistoće) naslage prljavšćine trebale ispirati otprilike svaka 2 tjedna.

1. Ako je na ispušću za prljavšćtinu montiran poklopac (stakleni), uklonite ga i umjesto njega priključite crni univerzalni crijevni tuljak s crijevom.
2. Okrenite funkcijsku sklopku (B) u položaj „Pogona čišćenja“ sve dok ne čujete tihi klik. Voda sada struji iz otvora za ispušć prljavšćine (I).
3. Tijekom „Pogona čišćenja“ postoji mogućnost da se funkcijska sklopka (B) pritisne prema dolje kako bi se na taj način filtarske spužve lagano istisnule a da se ne moraju vaditi iz uređaja. Stoga oprezno postupajte! Zbog prebrzog i presnažnog pritiskanjem može puknuti unutarnji plastićni prsten.
5. Ako iz filtra brzo izlazi bistra voda, okrenite funkcijsku sklopku natrag u položaj „Pogona filtriranja“.
6. Sada na ispušć za prljavšćtinu možete ponovo montirati poklopac (stakleni).

Napomena: Molimo da filtar ne perete/ispirećte do kraja. Time bi se djelomično ili čak i u potpunosti unišćte nastanjene bakterijske kulture što bi negativno utjecalo na snagu čišćenja do stvaranja novih kultura.

Čišćenje filtarskih spužvi

Ako se bez obzira na ispušćanje prljavšćine tlak u filtru i dalje povećava, filtarske spužve treba ispirati. Kao pomoć služi kontrolni prikaz (D) na gornjoj strani poklopcera.

Normalan tlak Narančasti prsten je dolje/se ne vidi.

Tlak povećan Narančasti prsten prekriva zeleni cilindar = potrebno je izvršiti čišćenje.

1. Uvijek najprije isključite integrirani UV-C uređaj, a zatim crpku.
2. Uklonite sve priključke za crijeva na filtru.
3. Otvorite i zatvorite stremenasti zatvarač filtra (vidi sliku 1, 2, 3).
4. Podignite poklopac i odložite ga na čistu površinu s gornjom stranom prema dolje (vidi sliku 4).
5. Skinite gornje dno filtra tako da najprije lagano pritisnete plastićni prsten prema dolje, zatim ga malo okrenete dok se ne može lagano podignuti prema gore. Sada skinite prvi loj filtarskih spužvi, na isti način uklonite druga dna filtra, filtarske spužve i cijevi (vidi slike 5, 6, 7, 8, 9, 10)).
6. Pritisnite i vodom iz slavine dobro isperite filtarske spužve.
7. Vrtnim crijevom operite glavu filtra i poklopac.
8. Ponovo umetnite filtarske spužve, dna filtra i cijevi obrnutim redoslijedom. Započnite s velikom plavom filtarskom spužvom, a zatim naizmjenice žutom i plavom.
9. Pripazite na otvore u plastićnim prstenicima i filtarskim spužvama kako bi filtarske spužve bile tijesno jedna uz drugu. Ako ostane slobodnog prostora ili dođe do deformacija, montaža može biti znatno otežana.
10. Postavite poklopac na kućište filtra na njegov položaj, a zatim postavite zatezni prsten preko ruba kućišta filtra i poklopcera i zatvorite filtar (vidi Instalaciju).

Zamjena UV-C lampe

UV-C uređaj integriran u filtru BioPressure opremljen je UV-C lampom s vijekom trajanja od oko 8000 radnih sati. Nakon toga vremena UV-C snaga se toliko smanji da UV-C lampu treba zamijeniti. Potrebna UV-C zamjenska lampa može se kupiti kod specijaliziranog trgovca tvrtke Ubbink. Upotrebljavajte samo UV-C lampu čija oznaka i snaga odgovaraju podatcima na natpisnoj ploćici.

Zamjenu UV-C lampe izvršite na sljedeći način:

1. Odvijte rućku, a zatim odvijte vijke iz UV-C poklopcera koji je pričvršćen na filtru (vidi sliku 11).
2. Skinite UV-C poklopac, oprezno izvucite UV-C lampu iz grla, a zatim oprezno postavite zamjensku UV-C lampu. (vidi sliku 12, 13, 14)
3. Ponovo postavite UV-C poklopac i zavijte ga kao i rućku (vidi sliku 15, 16).

Pozor: UV-C lampu nemojte dirati golim rukama!! To može ošćtetiti lampu.

Čišćenje / zamjena kvarcnog UV-C stakla

Kvarcno UV-C staklo trebalo bi se čistiti minimalno dva do tri puta godišnje od prljavšćine i naslaga kamenca, ovisno o rastu algi u vrtnom jezercu te stupnju nečistoće vrtnog jezercera.

1. Uvijek najprije isključite integrirani UV-C uređaj, a zatim crpku.
2. Za jednostavnije održavanje preporučujemo da filtar u potpunosti ispraznite.
3. Skinite UV-C poklopac kao što je opisao pod Zamjena UV-C lampe.
4. Izvadite UV-C lampu, a zatim oprezno izvadite kvarcno UV-C staklo iz kućišta. Ono je utaknuto i može se jednostavno izvuciti. Gumeni prsten sprećava klizanje.
5. Čistite kvarcno UV-C staklo vodom iz slavine i mekom krpom za čišćenje.
Održavanje i čišćenje Pritom izbjegavajte tragove grebanja na kvarcnom staklu i po mogućnosti ne dirajte rukama izravno stakleni omotać. Zbog UV-C zraćenja se na staklenom omotaću talože kondenzirana voda i masnoća što može dovesti do smanjenja snage UV-C uređaja.
6. Vodom operite plastićno kućište u kojem se nalazi kvarcno UV-staklo, a prije sastavljanja osušite kućište.
7. Prije ponovnog umetanja oprezno osušite kvarcno UV-C staklo.
8. Ponovo umetnite UV-C lampu i ponovno zatvorite UV-C dio obrnutim redoslijedom.
9. Zatim uvijek prvo uključite crpku, a zatim UV-C uređaj.

Sklađišćenje / čuvanje preko zime

Tlačni filtar se u slučaju mraza treba demontirati i spremiti na zašććenom mjestu. Prethodno ga ipak treba temeljito očistiti i provjeriti da na uređaju nema ošććenja.



Problemi i rješenja:

Problem	Mogući uzrok	Rješenje
Nakon 6 do 8 tjedana još uvijek se nisu pokazali pozitivni rezultati filtriranja.	Filtar ne radi 24 h dnevno već se npr. noću isključuje.	Pustite da filtari stalno rade.
	Mediji za filtriranje očišćeni su tijekom prvih 6 - 8 tjedana.	Pustite da filtari prvih 6 - 8 tjedana rade i nemojte ga čistiti.
	Voda u vrtnom jezercu je jako prljava.	Zamijenite vodu i uklonite alge.
	Vrijednosti vode nisu u redu, npr. previsoka pH-vrijednost.	Redovito provjeravajte vrijednosti vode i po potrebi ih korigirajte.
	Voda u vrtnom jezercu ima premali udio kisika.	Upotrijebite crpku za prozračivanje kako biste nadoknadili gubitak kisika.
	Ima previše životinja u vrtnom jezercu.	Smjernica: ribe od maks. 50-70 cm (ukupna duljina) u 1.000 litara volumena vrtnog jezera
	Filtar ili kvarcno UV-C staklo su prljavi.	Očistite dotične dijelove.
Nema izmjene vode kroz ulaze/izlaze.	UV-C uređaj ne radi.	UV-C lampica je eventualno neispravna i treba je zamijeniti. Provjerite mrežni priključak.
	Sklopka je namještena na „Čišćenje“.	Namjestite sklopku na „Filtriranje“.
	Ulaz je začepljen.	Očistite.



Jamstvo

Na Ubbinkov BioPressure filter dajemo jamstvo od 3 godine za greške u materijalu i proizvodnji, koje vrijedi od datuma prodaje. Za korištenje prava na jamstvo treba predočiti dokaz o kupnji, dakle originalni račun.

Za Ubbinkov BioPressure filter dodatno dajemo 12-mjesečno jamstvo na čistu vodu za čistu i zdravu vodu. Ovo jamstvo vrijedi 12 mjeseci nakon datuma kupnje, pod uvjetom da se od 6. tjedna nakon uključivanja BioPressure filtera još ne postužu dokazani uspjesi prilikom filtriranja vode u ribnjaku, osobito ne prilikom razgradnje algi u vodi. Za ostvarivanja prava na jamstvo za čistu vodu Ubbink pretpostavlja pridržavanje uputstva za upotrebu i odabira odgovarajućeg sustava (BioPressure filter i preporučena crpka) za filtriranje vode u ribnjaku.

Jamstvo ne obuhvaća:

- lom stakla odnosno oštećenje UV-C lampe i/ili kvarcnog stakla UV-C uređaja
- reklamacije čiji su uzroci greške u ugradnji i korištenju, manjkava njega, utjecaj zaleđenja, nestručni popravci, primjena nasilja, tuđa krivnja, preopterećenje ili strana tijela, kao i sva oštećenja dijelova uslijed habanja.



Jamstvo za čistu vodu

Naš tlačni filtari BioPressure II opremljeni je visoko kvalitetnim UV-C uređajem snage 11 vata, specijalnim sustavom filterskih uložaka te integriranim ispumom za prljavu vodu. To nam omogućuje ovo jamstvo da će vam voda biti čista i zdrava!

Ovo jamstvo vrijedi 12 mjeseci od datuma kupnje.

Da biste ostvarili prava u skladu s jamstvom za čistu vodu, trebaju biti ispunjeni sljedeći uvjeti:

- Trebate poštivati upute za uporabu BioPressure i odabrati odgovarajući sustav (filtar i preporučenu crpku) za vrtno jezero koje želite filtrirati.
- Od šestog tjedna nakon puštanja u pogon još nije postignut uspjeh pri filtriranju vode u vrtnom jezercu, a posebno ne pri razgradnji plutajućih algi (zeleni vodeni alge).

U slučaju eventualnih problema, obratite se svojem specijaliziranom trgovcu.



Zaštita okoliša

Stare elektroaparate ne trebate izbacivati zajedno sa đubretom iz Vaših domova. Molimo Vas da Vaš stari aparat odnesete do mjesnog sabirnog centra. Dalje obavijesti Vam može pružiti Vaš prodavac ili poduzeće za deponovanje otpada.



Vážený zákazniku,

blahopřejeme Vám k zakoupení výrobku z kvalitní série jezírkových filtrů Ubbink BioBalance. Díky tomuto návodu k použití získáte důležité informace, které jsou užitečné pro montáž, uvedení do provozu a péči o Váš tlakový filtr BioPressure. Před instalací filtru si pozorně přečtěte návod k použití a obeznamte se s přístrojem. Bezpodmínečně se řiďte bezpečnostními pokyny pro správné a bezpečné používání. Tento návod k použití pečlivě uschovejte!

Obsah dodávky

- 1 tlakový filtr BioPressure II s integrovaným UV-C přístrojem
- 1 univerzální hadicová koncovka 40-32-25-19 mm, průhledná
- 2 univerzální hadicová koncovka 40-32-25-19 mm, černá
- 3 těsnící kroužky 1 1/2"
- 1 kroužek se závitem s uzávěrem (sklo)
- 1 návod k použití

Technické údaje

BioPressure II	3000	6000	10000	18000
Výrobek č.	1355408	1355409	1355410	1355413
Obsah filtru	10 Litrů	10 Litrů	15 Litrů	25 Litrů
Filtrové médium	speciální poschodová filtrační vložka	speciální poschodová filtrační vložka	speciální poschodová filtrační vložka	speciální poschodová filtrační vložka
Tlakové zatížení	max. 0,49 bar	max. 0,49 bar	max. 0,49 bar	max. 0,49 bar
UV-C zářič	PL-S 5 W	PL-S 9 W	PL-S 11 W	PL-L 18 W
Síťové napětí / frekvence	230 VAC / 50 Hz	230 VAC / 50 Hz	230 VAC / 50 Hz	230 VAC / 50 Hz
Délka kabelu	4,5 m	4,5 m	4,5 m	4,5 m
UV-C výkon cca po 5 000 h	85%	85%	85%	85%
Č. výrobku pro náhradní UV-C keramické sklo	1358765	1358766	1358730	1358767
Č. výrobku pro náhradní žárovku UV-C	1355109	1355110	1355112	1355115
Max. obsah jezírka	3.000 Litrů	6.000 Litrů	10.000 Litrů	18.000 Litrů

Symboly a možnosti nastavení



Vstup vody z čerpadla do filtru



Výstup vody z filtru do jezírka



Výstup vody v čistícím provozu



Přepínač funkcí „Filtrační provoz“



Přepínač funkcí „Čistící provoz“



Bezpečnostní upozornění

VÝSTRAHA: UV paprsky jsou nebezpečné pro oči a pokožku. UV-C zářič se nesmí používat po vyjmutí z krytu přístroje!

POZOR: Tento přístroj obsahuje UV-C zářič! Neúmyslné použití přístroje nebo poškození krytu může mít za následek únik nebezpečného UV-C záření. I nízká dávka UV-C záření může poškodit oči a pokožku.

- Napájecí zdroj musí odpovídat specifikacím výrobku. Nezapojte UV-C přístroj, pokud napájení proudem nespĺňuje specifikované předpisy! Další informace si můžete vyžádat od svého místního, certifikovaného elektroinstalátéra.
- Proudový obvod UV-C přístroje musí být zajištěn pomocí ochranného zařízení proti chybnému proudu (FI, příp. RCD) s jmenovitým chybným proudem max. 30 mA.
- Před každým zásahem (instalace, údržba atd.) se UV-C přístroj musí odpojit ze sítě!
- Tlakový filtr včetně UV-C přístroje se za žádných okolností nesmí uvádět do provozu ve vodě a musí se instalovat vedle jezírka tak, aby se vyloučilo jeho zaplavení.
- Instalace tlakového filtru se musí provést ve vzdálenosti více než 2 m a elektrická přípojka více než 3,5 m od jezírka, příp. vodní nádrže.
- Není dovoleno otvírat UV-C přístroj nebo příslušné díly, pokud tak není výslovně uvedeno v tomto návodu k použití. To se týká i technických změn přístroje.
- UV-C přístroj má ochranný spínač, který při otevření přístroje automaticky přeruší proud.
- Síťová zástrčka a všechna místa připojení musejí zůstat vždy suchá. Přípojný kabel UV-C přístroje by se měl instalovat chráněný, aby se zabránilo případným poškozením.
- Tlakový filtr se smí uvádět do provozu až po instalaci všech komponentů a hadicových přípojek.

Návod k použití Ubbink BioPressure II -3000/6000/10000/18000

- Ujistěte se, že je přístroj vypnutý, pokud přístrojem neprotéká voda.
- Tlakový filtr se smí provozovat jen při teplotě vody od +5 °C do +35 °C.
- UV-C přístroj se zjevnými poškozeními se nesmí používat!
- Síťový kabel UV-C přístroje nelze vyměnit. Pokud je kabel poškozený, musí se UV-C přístroj odborně zlikvidovat.
- Tlakový filtr není vhodný pro používání osobami (včetně dětí) s omezenými fyzickými, smyslovými nebo duševními schopnostmi nebo s nedostatkem zkušeností a poznatků, ledaže by byly tyto osoby pod dozorem osoby, která zodpovídá za jejich bezpečnost, nebo byly poučeny o používání přístroje. Děti musejí být pod dozorem, aby se zajistilo, že si s přístrojem nebudou hrát.

Použití

BioPressure II je mechanicky/biologicky pracující tlakový filtr s integrovaným UV-C přístrojem k nainstalování vedle jezírka nad hladinou a pod hladinou vody. Filtrovanou jezírkovou vodu lze přečerpávat přes tlakový filtr i přes výše ležící vodopády. Pro dosažení viditelných úspěchů při ozařování UV-C by se měla jezírková voda minimálně jednou kompletně přečerpat do 2 hodin (jezírko s rybami) nebo do 4 hodin (jezírko bez ryb).

Instalace

POZOR! Před každým zásahem (první montáž, čištění, osazení a výměna UV-C žárovky atd.) se vždy musí nejdříve přerušit přívod proudu k UV-C přístroji a čerpadlu!

1. Stanovte místo filtru BioPressure (zohledněte bezpečnostní pokyny). Filtr lze namontovat jak nad zemí, tak i do země. Při zakopání filtru BioPressure do výšky víka dbejte na to, aby stál filtr vodorovně a byl důkladně obložen zeminou, příp. pískem.

2. Velký gumový těsnící kroužek vložte do okraje skříňky filtru. Přitom bezpodmínečně dbejte na to, aby se gumový těsnící kroužek při vkládání nepretočil nebo nevzpříčil. Jen tak si můžete být jisti, že se bude víko moci správně nasadit a později se mezi obě části filtru nedostane voda.

Tip: Navhčete gumový těsnící kroužek malým množstvím vody a položte jej potom trochu zvýšeně na horní okraj filtrační nádrže. Při zatlačení víka se gumový těsnící kroužek poté přesune dolů do své polohy.

3. Víko zatlačte na těleso filtru do polohy a následně umístěte upínací kroužek přes okraj tělesa filtru a víka a filtr zavřete.

4. Vstup filtru (A): Zkratke univerzální hadicovou koncovku (černou) vhodnou pro jezírkovou hadici a přišroubujte ji na vstup filtru. Jezírkovou hadici zkratke na potřebnou délku, nastrčte na čerpadlo a vstup filtru na hadicové koncovky a zajistěte hadicovými svorkami. Čerpadlo v jezírku postavte na pevný podklad, bez bláta a písku. Před uvedením čerpadla do provozu si přečtete návod k použití a řiďte se bezpečnostními pokyny a pokyny pro minimální hloubku ponoření. Při připojení hadicových koncvek použijte odpovídající těsnící kroužky.

5. Výstup filtru (J): Zkratke průhlednou univerzální hadicovou koncovku vhodnou pro jezírkovou hadici a přišroubujte ji na výstup filtru. Jezírkovou hadici zkratke na potřebnou délku, poté konec hadice zasuňte na hadicovou koncovku a zajistěte hadicovou svorkou. Druhý konec hadice uložte zpět k jezírku, příp. k vodopádu. Při připojení hadicové koncovky použijte odpovídající těsnící kroužek. Odvádí-li se filtrovaná voda přímo do jezírka, měla by voda vtékat z výšky spádu cca 15 - 20 cm.

6. Výpusť nečistot (I): Zkratke černou univerzální hadicovou koncovku vhodnou pro jezírkovou hadici a přišroubujte ji na výpusť nečistot. Jezírkovou hadici zkratke na potřebnou délku, jeden konec hadice zasuňte na hadicovou koncovku a zajistěte hadicovou svorkou. Druhý konec hadice uložte k místu, kde se má špinavá voda likvidovat. Při připojení hadicové koncovky použijte odpovídající těsnící kroužek.

Upozornění: Během filtračního provozu můžete tato výpusť rovněž uzavířit víčkem. Za tím účelem nasadte krytku (sklo) na výpusť nečistot a přišroubujte s kroužkem. Hadicovou koncovku s hadicí uschovejte pro pozdější „čisticí provoz“.

7. Před uvedením tlakového filtru do provozu se ještě ujistěte, zda jsou všechny kabelové spojky správně osazené a zda je filtr s těsněním řádně uzavřený. Přepínač funkcí (B) musí být přepnutý na „funkci filtru“.

8. Vždy nejdříve zapněte čerpadlo a zkontrolujte, zda voda rovnoměrně protéká tlakovým filtrem a na filtru a hadicových spojkách nejsou netěsná místa. Až poté zapněte UV-C přístroj.

9. Je důležité, aby byl tlakový filtr v provozu nepřetržitě. Filtr by se měl úplně vypnout jen při údržbě a během zimního období. Po dobu vývoje bakterií (6 - 8 týdnů) doporučujeme, abyste UV-C přístroj ještě nechali vypnutý.

10. Má-li se tlakový filtr odstavít z provozu (údržba a zimní období), musí se nejdříve vypnout UV-C přístroj. Až potom vypněte čerpadlo a vypusťte vodu z filtru.

Upozornění: Tento tlakový filtr BioPressure je vybaven soupravou filtračních vložek, na jejichž strukturách se mohou usazovat takové částice nečistot a vznášející se látky, které přispívají k tomu, že se během cca 6 - 8 týdnů po uvedení filtru do provozu vyvinou a vytvoří kultury bakterií, které jsou potřebné jak pro mechanickou, tak i biologickou filtraci. Proto dejte tlakovému filtru možnost, aby se během této doby plně rozvinuly jeho filtrační vlastnosti bez částečného nebo úplného přerušení.

Návod k použití Ubbink BioPressure II -3000/6000/10000/18000

Údržba a čištění

POZOR! Před každým zásahem (první montáž, čištění, osazení a výměna UV-C žárovky atd.) se vždy musí nejdříve přerušit přívod proudu k UV-C přístroji a čerpadlu!

Vypuštění nečistot

BioPressure II pracuje z velké části bezúdržbově. V závislosti na stupni znečištění jezírkové vody však mohou usazeniny nečistot snižovat čisticí efekt. Proto by se měly (v závislosti na stupni znečištění) usazeniny nečistot vyplachovat přibližně každé 2 týdny.

1. Je-li na výpusti nečistot namontována krytka (sklo), odstraňte ji a připojte na ni černou univerzální hadicovou koncovku s hadicí.
2. Přepínač funkcí (B) otočte do polohy „čisticí provozu“, dokud neuslyšíte tiché kliknutí. Voda nyní začne proudit z otvoru pro výpusť vody (I).
3. Během „čisticího provozu“ existuje možnost zatlačit přepínač funkcí (B) dolů, aby se tímto způsobem lehce zatlačily filtrační houby, aniž by se musely vyjmout z přístroje. Postupujte přitom obezřetně! Rychlým a silným stlačením se může zlomit vnitřní plastový kroužek.
5. Vytéká-li z filtru téměř čistá voda, otočte přepínač funkcí zpět do polohy „filtrační provoz“.
6. Nyní můžete na výpusť nečistot opět namontovat krytku (sklo).

Upozornění: Filtr úplně nevymyvejte/nevyplochujte. Usazené kultury bakterií by se tím částečně až úplně zničily, což by ovlivnilo čisticí výkon až do usídlení nových kultur.

Vyčistit filtrační houby

Pokud se navzdory vypuštění nečistot nadále zvyšuje tlak ve filtru, musejí se vymýt filtrační houby. Jako pomůcka zde slouží kontrolní indikátor (D) na horní straně víka.

Normální tlak Oranžové zbarvený kroužek je dole/nelze jej vidět.

Zvýšený tlak Oranžové zbarvený kroužek překrývá zelený válec = nutné čištění.

1. Nejdříve vždy vypněte integrovaný UV-C přístroj a následně čerpadlo.
2. Odstraňte všechny hadicové přípojky na filtru.
3. Otevřete a odstraňte uzavírací trmen filtru (viz obr. 1, 2, 3)
4. Nadzvedněte víko a odložte jej na čistý povrch, hornou stranou dolů (viz obr. 4).
5. Odstraňte horní dno filtru tak, že nejdříve jemně zatlačíte dolů plastový kroužek, potom jej trochu otočíte, dokud nebude dát nadzvednout nahoru. Nyní vytáhněte první vrstvu filtračních hub a stejným způsobem vyjměte i ostatní dna filtru, filtrační houby a trubice (viz obr. 5, 6, 7, 8, 9, 10).
6. Filtrační houby stlačte a vymyjte vodou z vodovodu.
7. Zahradní hadici vypláchněte skříňku filtru a víko.
8. V opačném pořadí znovu nasadte filtrační houby, dna filtru a trubice. Začněte s velkou modrou filtrační houbou, poté střídavě žlutá a modrá.
9. Dávejte pozor na výřezy v plastových kroužcích a filtračních houbách, aby na sebe filtrační houby těsně přiléhaly. Mezery nebo zpříčení mohou výrazně znesnadnit smontování.
10. Víko zatlačte na těleso filtru do polohy a následně položte upínací kroužek přes okraj tělesa filtru a filtr zavřete (viz instalace).

Výměna UV-C žárovky

UV-C přístroj integrovaný ve filtru BioPressure je vybaven UV-C žárovkou se životností cca 8 000 provozních hodin. Po této době se UV-C výkon natolik sníží, že UV-C žárovka se musí vyměnit. Potřebnou náhradní UV-C žárovku dostanete u svého specializovaného prodejce Ubbink. Používejte jen takovou UV-C žárovku, jejíž označení a výkon se shodují s údaji na typovém štítku.

UV-C žárovku vyměňte takto:

1. Odšroubujte rukojet a následně vyšroubujte šrouby z UV-C krytu, který je upevněn na filtru (viz obr. 11).
2. Sejměte UV-C víko, opatrně vytáhněte UV-C žárovku z objímky a poté nasadte opatrně náhradní UV-C žárovku (viz obr. 12, 13, 14).
3. Opět nasadte UV-C víko a přišroubujte jej a i rukojet! (viz obr. 15, 16).

Pozor: Nechytejte UV-C žárovku holýma rukama! To může žárovku poškodit.

Čištění/výměna UV-C křemičitého skla

UV-C křemičité sklo by se mělo vyčistit minimálně dvakrát až třikrát ročně za účelem odstranění nečistot a vápenných usazenin. Četnost čištění je závislá na nárůstu řas a míry znečištění vody v jezírku.

1. Nejdříve vždy vypněte integrovaný UV-C přístroj a následně čerpadlo.
2. Pro zjednodušení údržby doporučujeme filtr zcela vyprázdnit.
3. Sejměte UV-C víko, jak je uvedeno v odstavci Výměna UV-C žárovky.
4. Vymjěte UV-C žárovku a následně opatrně vytáhněte UV-C křemičité sklo z krytu.
- T oto je zasuňte a dá se jednoduše vytáhnout. Gumový kroužek zabraňuje sklouznutí.
5. UV-C křemičité sklo vyčistěte vodou z vodovodu a měkkou čisticí utěrkou.
- Pozor!!** Zabraňte poškrábání na křemičitém skle a podle možnosti nechtejte skleněnou baňku holýma rukama. Pot a mastnota se v důsledku UV-C záření připečou na skleněné baňce a mohou mít za následek snížení výkonu UV-C přístroje.
6. Vodou vypláchněte plastový kryt, v němž je UV-C křemičité sklo zasunuté, a kryt před smontováním vysušte.
7. Před opětovným osazením UV-C křemičité sklo důkladně vysušte.
8. Znovu nasadte UV-C žárovku a UV-C sekci opět zavřete v opačném pořadí.
9. Potom vždy nejdříve zapněte čerpadlo a následně UV-C přístroj.

Skladování/přezimování

Tlakový filtr se při výskytu mrazů musí odmontovat a uskladnit na místě bez výskytu mrazů. Předtím by se však mělo provést důkladné čištění a zkontrolovat případné poškození přístroje.

☞ Návod k použití Ubbink BioPressure II -3000/6000/10000/18000



Problémy a řešení:

Problém	Možná příčina	Řešení
Po 6 až 8 týdnech se ještě nedostavily žádné pozitivní výsledky filtrace	Filter není v provozu 24 h denně, např. se v noci vypíná.	Filter nechte stále v provozu.
	Filtrační média se čistila během prvních 6 - 8 týdnů.	Filter nechte během prvních 6 - 8 týdnů běžet bez čištění.
	Jezírková voda je extrémně znečištěná.	Vyměňte vodu a odstraňte řasy.
	Hodnoty vody nejsou v pořádku, např. příliš vysoká hodnota pH.	Pravidelně testujte hodnoty vody a v případě potřeby je upravte.
	Jezírková voda má příliš nízký obsah kyslíku.	Nasazení provzdušňovacího čerpadla pro vyrovnání ztrát kyslíku.
	V jezírku je příliš mnoho živých organismů.	Směrnice: max. 50 - 70 cm ryba (celková délka) na 1 000 litrů objemu jezírka
	Filter nebo UV-C křemičité sklo je znečištěné.	Vyčistěte příslušné části.
UV-C přístroj nepracuje.	UV-C žárovka může být případně vadná a musí se vyměnit.	
	Zkontrolujte síťové připojení.	
Žádná výměna vody přes vstup/výstup	Přepínač nastavený na „Čištění“	Přepínač nastavte na „filtrování“.
	Zacpaný vstup	Čištění

3

Záruka

U Ubbink BioPressure-filtrů poskytujeme záruku 3 let na materiálové a výrobní závady. Záruka platí od datumu nákupu. Pro uplatňování nároků na záruku se musí předložit jako nákupní doklad originál nákupní strženky.

Dodatečně poskytujeme na Ubbink BioPressure-filtru 12ti měsíční záruku čisté vody pro čistou a zdravou vodu. Tato záruka platí po dobu 12ti měsíců od datumu nákupu s podmínkou, že od 6. týdne po zprovoznění BioPressure-filtru se při filtrování rybníční vody nedosáhlo žádných doložitelných úspěchů, obzvláště při odstranění vznášivých řas. Pro uplatňování záruky čisté vody fy. Ubbink předpokládá, že se dodržovala upozornění uvedená v návodu na použití a byl zvolen vhodný systém (BioPressure-filtr a doporučené čerpadlo) pro filtrování rybník.

Pod záruku nespádá:

- zlom skla příp. defekt u UV-C-lampy a/nebo křemenného skla UV-C-přístroje
- reklamace, které byly zapříčiněny chybným zabudováním a nesprávnou obsluhou, nedostatečným ošetřováním, působením mrazu, neodbornými pokusy o opravu, použitím násilí, cizím zaviněním, přetížením nebo cizím tělesem, jakož i veškerá poškození dílů z důvodu opotřebení.



Záruka čisté vody

Náš tlakový filtr BioPressure II je vybaven kvalitním UV-C přístrojem 11 W, speciálním systémem filtračních vložek, jakož i integrovanou výpustí znečištěné vody. To nám umožňuje, že vám můžeme poskytnout záruku na čistou a zdravou vodu!

Tato záruka platí 12 měsíců od data prodeje.

Pro uplatnění záruky čisté vody předpokládáme, že

- se dodržoval návod k použití pro BioPressure a zvolil vhodný systém (filtr a doporučené čerpadlo) pro filtrované jezírko.
- po šesti týdnech po uvedení do provozu se ještě prokazatelně nedosáhl úspěch při filtraci, především při odbourání plavajících řad (zelená voda).

Pokud se vyskytnou problémy, zeptejte svého specializovaného prodejce.



Ochrana životního prostředí

Elektrotechnické přístroje se nemají odstraňovat spolu s domácím odpadem. Dopravte prosím starý nepotřebný přístroj do místní sběrný. Další informace obdržíte od Vašeho prodejce anebo od podniku pro odstraňování odpadů.

☞ Návod na použitie Ubbink BioPressure II -3000/6000/10000/18000



Vážení zákazník,

blahoželáme vám k nákupu produktu z kvalitnej série jazierkových filtrov Ubbink BioBalance.

Vďaka tomuto návodu na použitie získate dôležité informácie, ktoré sú užitočné pre montáž, uvedenie do prevádzky a starostlivosť o váš tlakový filter BioPressure. Pred inštaláciou filtra si starostlivo prečítajte návod na použitie a oboznámte sa s prístrojom. Bezpodmienečne sa riadte bezpečnostnými upozoreniami pre správne a bezpečné používanie. Tento návod na použitie starostlivo uschovajte!

Obsah dodávky

- 1 tlakový filter BioPressure II s integrovaným UV-C prístrojom
- 1 univerzálna hadicová koncovka 40-32-25-19 mm, transparentná
- 2 univerzálna hadicová koncovka 40-32-25-19 mm, čierna
- 3 tesniace krúžky 1 ½"
- 1 krúžok so závitom s uzáverom (sklo)
- 1 návod na použitie

Technické údaje

BioPressure II	3000	6000	10000	18000
Výrobok č.	1355408	1355409	1355410	1355413
Obsah filtra	10 Litrov	10 Litrov	15 Litrov	25 Litrov
Filtrové médium	špeciálna poschodová filtračná vložka	špeciálna poschodová filtračná vložka	špeciálna poschodová filtračná vložka	špeciálna poschodová filtračná vložka
Tlakové zaťaženie	max. 0,49 bar	max. 0,49 bar	max. 0,49 bar	max. 0,49 bar
UV-C žiarič	PL-S 5 W	PL-S 9 W	PL-S 11 W	PL-L 18 W
Sieťové napätie / frekvencia	230 VAC / 50 Hz	230 VAC / 50 Hz	230 VAC / 50 Hz	230 VAC / 50 Hz
Dĺžka kábla	4,5 m	4,5 m	4,5 m	4,5 m
UV-C výkon cca po 5 000 h	85%	85%	85%	85%
Č. výrobku pre náhradné UV-C kremenné sklo	1358765	1358766	1358730	1358767
Č. výrobku pre náhradnú žiarovku UV-C	1355109	1355110	1355112	1355115
Max. obsah jazierka	3.000 Litrov	6.000 Litrov	10.000 Litrov	18.000 Litrov

Symbyly a možnosti nastavenia



Vstup vody z čerpadla do filtra



Výstup vody z filtra do jazierka



Výstup vody v čistiacej prevádzke



Přepínač funkcí „Filtračná prevádzka“



Přepínač funkcí „Čistiaca prevádzka“



Bezpečnostné upozornenia

VÝSTRAHA: UV lúče sú nebezpečné pre oči a pokožku. UV-C žiarič sa nesmie prevádzkovať po vybratí z krytu prístroja!

POZOR: Tento prístroj obsahuje UV-C žiarič! Neúmyselné použitie prístroja alebo poškodenie krytu môže mať za následok únik nebezpečného UV-C žiarenia. Aj nízka dávka UV-C žiarenia môže poškodiť oči a pokožku.

- Napájací zdroj musí zodpovedať špecifikáciám výrobku. UV-C prístroj nezapájajte, ak napájanie prúdom nespĺňa špecifikované predpisy! Ďalšie informácie môžete získať od svojho miestneho, certifikovaného elektroinštalátora.
- Prúdový obvod UV-C prístroja musí byť zaistený pomocou ochranného zariadenia proti chybnému prúdu (FI, resp. RCD) s menovitým chybným prúdom max. 30 mA.
- Pred každým zásahom (inštalácia, údržba atď.) sa UV-C prístroj musí odpojiť zo siete!
- Tlakový filter vráť. UV-C prístroja sa za žiadnych okolností nesmie uvádzať do prevádzky vo vode a musí sa inštalovať vedľa jazierka tak, aby bolo vylúčené jeho zaplavenie.
- Inštalácia tlakového filtra sa musí uskutočňovať vo vzdialenosti viac ako 2 m a elektrická pripojka viac ako 3,5 m od jazierka, resp. vodnej nádrže.
- Nie je dovolené otvárať UV-C prístroj alebo príslušné diely, ak sa to výslovne neuvádza v tomto návode na použitie. Týka sa to aj technických úprav prístroja.
- UV-C prístroj má ochranný spínač, ktorý po otvorení prístroja automaticky preruší prívod prúdu.
- Sieťová zástrčka a všetky miesta pripojenia musia zostať vždy suché. Pripojný kábel UV-C prístroja by sa mal inštalovať chránený, aby sa zabránilo prípadným poškodeniam.

🇸🇰 Návod na použitie Ubbink BioPressure II -3000/6000/10000/18000

- Tlakový filter sa smie uviesť do prevádzky až po inštalácii všetkých komponentov a hadicových prípojkok.
- Uistite sa, že prístroj je vypnutý, ak cez prístroj nepreteká voda.
- Tlakový filter sa smie prevádzkovať len pri teplote vody od +5 °C do +35 °C.
- UV-C prístroj so zjavnými poškodeniami sa nesmie používať!
- Nie je možná výmena sieťového kábla UV-C prístroja. Ak je kábel poškodený, musí sa UV-C prístroj odborne zlikvidovať.
- Tlakový filter nie je vhodný na používanie osobami (vrátane detí) s obmedzenými fyzickými, zmyslovými alebo duševnými schopnosťami či s nedostatkom skúseností a poznatkov, okrem prípadov, keď sú pod dozorom osoby zodpovedajúcej za ich bezpečnosť, alebo ak získajú pokyny týkajúce sa používania prístroja. Deti musia byť pod dozorom, aby bolo zabezpečené, že sa s prístrojom nebudú hrať.

Použitie

BioPressure II je mechanicky/biologicky pracujúci tlakový filter s integrovaným UV-C prístrojom na inštaláciu vedľa jazierka nad hladinou a pod hladinou vody. Filterovaná jazierková voda sa môže prečerpávať cez tlakový filter aj cez vyššie ležiace vodopády. Pre dosiahnutie viditeľných úspechov pri ozarovaní UV-C by sa mala jazierková voda minimálne raz kompletne prečerpať do 2 hodín (jazierko s rybami) alebo do 4 hodín (jazierko bez rýb).



Inštalácia

POZOR! Pred každým zásahom (prvá montáž, čistenie, osadenie a výmena UV-C žiarovky atď.) sa vždy musí najskôr prerušiť prívod prúdu k UV-C prístroju a čerpadlu!

1. Určte miesto filtra BioPressure (rešpektujte bezpečnostné pokyny). Filter je možné namontovať nad zemou ako aj do zeme. Pri zakopaní filtra BioPressure po výšku veka dbajte o to, aby stál filterodorovne a bol dobre obložený zemou, resp. pieskom.

2. Veľký gumený tesniaci krúžok vložte do okraja skrinky filtra. Pritom bezpodmienečne dbajte o to, aby sa gumený tesniaci krúžok pri vkladaní nepretočil alebo nevzpriečil. Len tak si môžete byť istý, že sa bude dať veko správne nasadiť a neskôr sa medzi obidve časti filtra nedostane voda.

Tip: Navlhčite gumový tesniaci krúžok malým množstvom vody a položte ho potom trochu zvýšene na horný okraj filtračnej nádrže. Keď zatlačíte veko, presunie sa potom gumený tesniaci krúžok nadol do svojej polohy.

3. Veko zatlačte na teleso filtra do polohy a následne položte upínací krúžok cez okraj telesa filtra a veka a uzavrite filter..

4. Vstup filtra (A): Skráťte univerzálnu hadicovú koncovku (čiernu) vhodnú pre jazierkovú hadicu a priskrutkujte ju na vstup filtra. Jazierkovú hadicu skráťte na potrebnú dĺžku, nastreďte na čerpadlo a vstup filtra na hadicové koncovky a zaistite hadicovými svorkami. Čerpadlo v jazierku postavte na pevný podklad, bez blata a piesku. Pred uvedením čerpadla do prevádzky si prečítajte návod na použitie a rešpektujte bezpečnostné pokyny ako aj pokyny pre minimálnu hĺbku ponorenia. Pri pripojení hadicových koncoviek použite zodpovedajúce tesniace krúžky.

5. Výstup filtra (J): Skráťte transparentnú univerzálnu hadicovú koncovku vhodnú pre jazierkovú hadicu a priskrutkujte ju na výstup filtra. Jazierkovú hadicu skráťte na potrebnú dĺžku, potom koniec hadice zasuňte na hadicovú koncovku a zaistíte hadicovou svorkou. Druhý koniec hadice uložte späť k jazierku, resp. k vodopádu. Pri pripojení hadicovej koncovky použite zodpovedajúci tesniaci krúžok. Keď sa filterovaná voda odvádza priamo do jazierka, mala by voda vtekať do jazierka vo výške spádu cca 15 - 20 cm.

6. Výpust nečistoty (I): Skráťte čiernu univerzálnu hadicovú koncovku vhodnú pre jazierkovú hadicu a priskrutkujte ju na výpust nečistoty. Jazierkovú hadicu skráťte na potrebnú dĺžku, jeden koniec hadice zasuňte na hadicovú koncovku a zaistíte hadicovou svorkou. Druhý koniec hadice uložte k miestu, v ktorom sa má špinavá voda likvidovať. Pri pripojení hadicovej koncovky použite zodpovedajúci tesniaci krúžok.

Upozornenie: Počas filtračnej prevádzky môžete tento výpust tiež uzavrieť viečkom. Na tento účel nasadte uzáver (sklo) na výpust nečistoty a priskrutkujte s krúžkom. Hadicovú koncovku s hadicou uschovajte pre neskoršiu „čistiacu prevádzku“.

7. Pred uvedením tlakového filtra do prevádzky sa ešte raz uistite, že všetky kábové spojky správne sedia a filter s tesnením je dobre uzavretý. Prepínač funkcií (B) musí byť prepnutý na „funkciu filtra“.

8. Vždy najskôr zapnite čerpadlo a skontrolujte, či voda rovnomerne preteká cez tlakový filter a na filteri a hadicových spojkách nie sú netesné miesta. Až potom zapnite UV-C prístroj.

9. Je dôležité, aby bol tlakový filter v prevádzke nepretržite. Filter by sa mal úplne vypnúť len pri údržbe a počas zimného obdobia. Po dobu vývoja baktérií (6 - 8 týždňov) odporúčame, aby ste UV-C prístroj ešte nechali vypnutý.

10. Ak sa má tlakový filter odstaviť z prevádzky (údržba a zimné obdobie), musí sa najskôr vypnúť UV-C prístroj. Až potom vypnite čerpadlo a vypustite vodu z filtra.

Upozornenie: tento tlakový filter BioPressure je vybavený súpravou filtračných vložiek, na ktorých štruktúrach sa môžu usadzovať také čistočky nečistôt a vznášajúce sa látky, ktoré prispievajú k tomu, že sa počas cca 6 - 8 týždňov po uvedení filtra do prevádzky vyvinú a vytvoria kultúry baktérií, ktoré sú potrebné tak na mechanickú ako aj biologickú filtráciu. Dajte preto tlakovému filteru možnosť, aby sa počas tejto doby plne rozvinuli jeho filtračné vlastnosti bez čiastočného alebo úplného prerušenia.

🇸🇰 Návod na použitie Ubbink BioPressure II -3000/6000/10000/18000



Údržba a čistenie

POZOR! Pred každým zásahom (prvá montáž, čistenie, osadenie a výmena UV-C žiarovky atď.) sa vždy musí najskôr prerušiť prívod prúdu k UV-C prístroju a čerpadlu!

Vypustenie nečistoty

BioPressure II pracuje z veľkej časti bezúdržbovo. V závislosti od stupňa znečistenia jazierkovej vody však môžu usadeniny nečistôt znižovať čistiaci efekt. Preto by sa mali (v závislosti od stupňa znečistenia) usadeniny nečistôt vylachovať asi každé 2 týždne.

1. Ak je na výpuste nečistoty namontovaný uzáver (sklo), odstráňte ho a pripojte naň čiernu univerzálnu hadicovú koncovku s hadicou.
2. Prepínač funkcií (B) otočte do polohy „čistiaca prevádzka“, kým nebudete počuť tiché kliknutie. Voda teraz začne prúdiť z otvoru pre výpust vody (I).
3. Počas „čistiacej prevádzky“ existuje možnosť zatlačiť prepínač funkcií (B) nadol, aby sa týmto spôsobom mierne zatlačili filtračné spongie bez toho, že by sa museli vybrať z prístroja. Postupujte pritom obozretné! Rýchlym a silným stlačením sa môže zlomiť vnútorný plastový krúžok.
5. Keď z filtra vyteká skoro čistá voda, otočte prepínač funkcií späť do polohy „filtračná prevádzka“.
6. Teraz môžete na výpust nečistoty znova namontovať uzáver (sklo).

Upozornenie: Filter úplne nevymývajte/nevyplochujte. Usadené kultúry baktérií by sa tým čiastočne až úplne zničili, čo by ovplyvnilo čistiaci výkon až do usídlenia nových kultúr.

Čistenie filtračných spongií

Keď sa napriek vykonanému vypusteniu nečistoty naďalej zvyšuje tlak vo filteri, musia sa vymyť filtračné spongie. Ako pomôcka tu slúži kontrolný indikátor (D) na homej strane veka. Normálny tlak Oranžovo sfarbený krúžok je dole/nie je viditeľný. Zvýšený tlak Oranžovo sfarbený krúžok prekrýva zelený valec = potrebné čistenie.

1. Najskôr vždy vypnite integrovaný UV-C prístroj a následne čerpadlo.
2. Odstráňte všetky hadicové prípojky na filteri
3. Otvorte a odstráňte uzavierací strmeň filtra (pozri obr. 1, 2, 3)
4. Nadvihnite veko a odložte ho na čistý povrch, hornou stranou nadol (pozri obr. 4).
5. Odstráňte horné dno filtra tak, že najskôr zľahka zatlačíte nadol plastový krúžok, potom ho trochu otočíte, kým sa nebudete dať ľahko nadvihnúť hore. Teraz vytiahnite prvú vrstvu filtračných spongií a rovnakým spôsobom vyberte aj ostatné dná filtra, filtračné spongie a rúrky (pozri obr. 5, 6, 7, 8, 9, 10).
6. Filtračné spongie stlačte a vymyte vodou z vodovodu.
7. Záhradnou hadicou vypláchnite skrinku filtra a veko.
8. Znovu v opačnom poradí nasadte filtračné spongie, dná filtra a rúrky. Začnite s veľkou modrou filtračnou spongiou, potom striedavo žltá a modrá.
9. Dávajte pozor na výrezy v plastových krúžkoch a filtračných spongiách, aby na seba filtračné spongie tesne priliehali. Medzery alebo vzpriechenia môžu výrazne sťažiť zmontovanie.
10. Veko zatlačte na teleso filtra do polohy a následne položte upínací krúžok cez okraj telesa filtra a veka a uzavrite filter (pozri inštaláciu).

Výmena UV-C žiarovky

UV-C prístroj integrovaný vo filteri BioPressure je vybavený UV-C žiarovkou so životnosťou cca 8 000 prevádzkových hodín. Po tejto dobe sa UV-C výkon natoľko zníži, že UV-C žiarovka sa musí vymeniť. Potrebnú náhradnú UV-C žiarovku dostanete u svojho špecializovaného obchodníka Ubbink. Používajte len takú UV-C žiarovku, ktorej označenie a výkon korešponduje s údajmi na typovom štítku.

UV-C žiarovku vymeníte takto:

1. Vyskrutkujte držadlo a následne vyskrutkujte skrutky z UV-C krytu, ktorý je upevnený na filteri (pozri obr. 11).
2. Zložte UV-C veko, opatrne vytiahnite UV-C žiarovku z objímky a potom opatrne nasadte náhradnú UV-C žiarovku (pozri obr. 12, 13, 14).
3. Znovu nasadte UV-C veko a priskrutkujte ho a takisto držadlo (pozri obr. 15, 16).

Pozor: UV-C žiarovku nechytajte holými rukami! To môže žiarovku poškodiť.

Čistenie/výmena UV-C kremičitého skla

UV-C kremičité sklo by sa malo vyčistiť minimálne dvakrát až trikrát ročne, aby sa odstránili nečistoty a vápenné usadeniny. Ako často čistiť je závislé od nárastu rias a miery znečistenia vody v jazierku.

1. Najskôr vždy vypnite integrovaný UV-C prístroj a následne čerpadlo.
2. Pre zjednodušenie údržby odporúčame filter úplne vyprázdniť.
3. Zložte UV-C veko, ako je popísané v odseku Výmena UV-C žiarovky.
4. Vyberte UV-C žiarovku a následne opatrne vytiahnite UV-C kremičité sklo z krytu. Toto je zasunuté a dá sa jednoducho vytiahnuť. Gumový krúžok zabraňuje sklznutiu.
5. UV-C kremičité sklo vyčistíte vodou z vodovodu a mäkkou čistiacou handrou. **Pozor!!** Vyhnete sa poškrábianiu na kremičitom skle a podľa možnosti nechytajte sklenenú banku holými rukami. Pot a mastnota sa v dôsledku UV-C žiareniaripečie na sklenenej banke a môžu mať za následok neskoršie zníženie výkonu UV-C prístroja.
6. Vodou vypláchnite plastový kryt, v ktorom je zasunuté UV-C kremičité sklo, a kryt pred zmontovaním vysušte.
7. Pred opätovným osadením UV-C kremičité sklo starostlivo vysušte.
8. Znovu nasadte UV-C žiarovku a UV-C sekciu znovu uzavrite v opačnom poradí.
9. Potom vždy najskôr zapnite čerpadlo a následne UV-C prístroj.

Skladovanie/prezimovanie

Tlakový filter sa pri výskyte mrazov musí odmontovať a uschovať na mieste bez výskytu mrazov. Predtým by sa však malo vykonať dôkladné čistenie a skontrolovať prípadné poškodenia prístroja.

SK Návod na použitie Ubbink BioPressure II -3000/6000/10000/18000



Problémy a riešenia:

Problém	Možná príčina	Riešenie
Po 6 až 8 týždňoch sa ešte nedostavili žiadne pozitívne výsledky filtrácie	Filter nie je v prevádzke 24 h denne, napr. sa v noci vypína.	Filter nechajte bežať permanentne.
	Filtráčne médiá sa čistili počas prvých 6 - 8 týždňov.	Filter nechajte počas prvých 6 - 8 týždňov bežať bez čistenia.
	Jazierková voda je extrémne znečistená.	Vymeňte vodu a odstráňte riasy.
	Hodnoty vody nie sú v poriadku, napr. príliš vysoká hodnota pH.	Pravidelne testujte hodnoty vody a v prípade potreby ich upravte.
	Jazierková voda má príliš nízky obsah kyslíka.	Nasadenie prevzdušňovacieho čerpadla na vyrovnanie strát kyslíka.
	V jazierku je príliš veľa živých organizmov.	Smernica: max. 50 - 70 cm ryba (celková dĺžka) na 1 000 litrov objemu jazierka
	Filter alebo UV-C kremičité sklo je znečistené.	Vyčistite príslušné časti.
Žiadna výmena vody cez vstupy/výstupy	UV-C prístroj nepracuje.	UV-C žiarovka môže byť prípadne chybná a musí sa vymeniť. Skontrolujte sieťové pripojenie.
	Prepínač nastavený na „Čistenie“	Prepínač nastavte na „filtrovanie“.
	Upchatý vstup	Čistenie

3

Záruka

Na filter Ubbink BioPressure poskytujeme 3-ročnú záruku na chyby materiálu a výrobné chyby. Táto záruka platí od dátumu zakúpenia zariadenia. V prípade uplatnenia záruky musí byť predložený originál dokladu o kúpe.

Dodatčne poskytujeme na filter Ubbink BioPressure 12 – mesačnú záruku čirej vody pre čistú a zdravú vodu. Táto záruka platí 12 mesiacov od dátumu kúpy, pod podmienkou, že od 6. týždňa po uvedení do prevádzky filtra BioPressure nedosiahnete preukázateľné úspechy pri filtrovaní vody v jazierku, hlavne v prípade odstraňovania plávajúcich rias. V prípade uplatnenia záruky čirej vody spoločnosť Ubbink predpokladá dodržiavanie návodu na použitie a výber vhodného filtra pre filtrované jazierko (filter BioPressure a odporúčané čerpadlo).

Záruka sa nevzťahuje na:

- rozbitie skla resp. poruchu UV-C lampy a/alebo kremičitého skla prístroja UV-C
- reklamácie, ktorých príčina spočíva v chybné inštalácii a prevádzke, nedostatočnej údržbe, pôsobení mrazu, neodbornej oprave, použití hrubej sily, cudzom zavinení, preťažení alebo pôsobením cudzích telesách, ako aj všetky škody dielov spôsobené opotrebovaním.



Záruka čistej vody

Náš tlakový filter BioPressure II je vybavený kvalitným UV-C prístrojom 11 W, špeciálnym systémom filtračných vložiek, ako aj integrovaným výstupom špinavej vody. To nám umožňuje, že vám môžeme poskytnúť záruku na čistú a zdravú vodu!

Táto záruka platí 12 mesiacov od dátumu predaja.

Pre uplatnenie záruky čistej vody predpokladáme, že

- bol dodržaný návod na použitie pre BioPressure a bol zvolený vhodný systém (filter a odporúčané čerpadlo) pre filtrované jazierko.
- po šiestich týždňoch po uvedení do prevádzky sa ešte preukázateľne nedosiahol úspech pri filtrácii, predovšetkým nie pri odbúrání plávajúcich rias (zelená voda).

Pri prípadne sa vyskytujúcich problémoch sa spýtajte svojho špecializovaného obchodníka.



Ochrana životného prostredia

Elektrotechnické prístroje sa nemajú odstraňovať spolu s domácim odpadom. Doprajte prosím starý nepotrebný prístroj do miestnej zberne. Ďalšie informácie obdržite od Vášho predávачa alebo od podniku pre odstraňovanie odpadov.

SLO Navodila za uporabo filtra Ubbink BioPressure II -3000/6000/10000/18000



Spoštovani kupec,

Čestitamo vam, ker ste kupili visokokakovosten proizvod Ubbink BioBalance iz serije filtrov za ribnike.

V navodilih za uporabo so pomembne in koristne informacije, ki jih potrebujete za montažo, zagon in nego vašega tlačnega filtra BioPressure. Prosimo, pred namestitvijo filtra natančno preberite ta navodila za uporabo in se tako seznanite z napravo. Obvezno upoštevajte varnostna navodila za pravilno in varno uporabo. Prosimo, da ta navodila za uporabo skrbno shranite!

Obseg dobave

- 1 tlačni filter BioPressure II z integrirano UV-C napravo
- 1 univerzalen nastavek za cev, velikosti 40-32-25-19 mm, prozoren
- 2 univerzalna nastavka za cev, velikosti 40-32-25-19mm, črna
- 3 tesnilni obročki 1 ½"
- 1 vijajni obroček s pokrovom (steklo)
- 1 navodila za uporabo

Tehnični podatki

BioPressure II	3000	6000	10000	18000
Št. izdelka	1355408	1355409	1355410	1355413
Prostornina filtra	10 Litrov	10 Litrov	15 Litrov	25 Litrov
Filtrirni medij	Posebni, etažni filtrirni elementi	Posebni, etažni filtrirni elementi	Posebni, etažni filtrirni elementi	Posebni, etažni filtrirni elementi
Maksimalen pritisk	največ 0,49 bar	največ 0,49 bar	največ 0,49 bar	največ 0,49 bar
UV-C sevalnik	PL-S 5 W	PL-S 9 W	PL-S 11 W	PL-L 18 W
Omrežna napetost/frekvenca	230 VAC / 50 Hz	230 VAC / 50 Hz	230 VAC / 50 Hz	230 VAC / 50 Hz
Dolžina kabla	4,5 m	4,5 m	4,5 m	4,5 m
UV-C moč po pribl. 5.000 urah	85%	85%	85%	85%
Št. artikla nadomestnega UV-C kvarčnega stekla	1358765	1358766	1358730	1358767
Št. artikla nadomestne UV-C svetilke	1355109	1355110	1355112	1355115
maksimalna prostornina ribnika	3.000 Litrov	6.000 Litrov	10.000 Litrov	18.000 Litrov

Simboli in možnosti nastavitve



Dovajanje vode od črpalke do filtra



Dovajanje vode od filtra v ribnik



Odvajanje vode v načinu čiščenja



Funkcijski gumb »Obratovanje filtra«



Funkcijski gumb »Način čiščenja«



Varnostna navodila

SVARILLO: UV žarki so nevarni za oči in kožo. UV-C sevalnika se ne sme uporabljati, če je bil vzet iz ohišja naprave!

POZOR: Naprava vsebuje UV-C sevalnik! Nenamerna uporaba naprave ali poškodovano ohišje ima lahko za posledico izstopanje nevarnega UV-C sevanja. UV-C sevanje lahko tudi v zelo majhnih količinah škodi očem in koži.

- Oskrba z električnim tokom mora ustrezati specifikacijam izdelka. UV-C naprave ne priključite, če oskrba z električnim tokom ne izpolnjuje specifičnih predpisov! Dodatne informacije vam lahko posreduje vaš lokalni pooblaščen elektroinstalater.
- Električni krog UV-C naprave mora biti zavarovan z napravo za uhajavi tok (FI oz. RCD) z naznačenim uhajavim tokom maks. 30 mA.
- Pred vsakim posegom (namestitve, vzdrževanje itn.) je treba UV-C napravo izklopiti iz omrežja!
- Tlačni filter, vključno z UV-C napravo se pod nobenim pogojem ne sme uporabljati pod vodo, namestiti pa ga je treba ob ribnik tako, da ne more biti poplavljen.
- Tlačni filter mora biti nameščen na razdalji, ki je več kot 2 m oddaljena od ribnika oz. vodnega bazena, električni priključek pa mora biti od ribnika oz. vodnega bazena oddaljen več kot 3,5 m.
- Tlačnega filtra ali pripadajočih delov ni dovoljeno odpirati, razen če je to v teh navodilih za uporabo izrecno navedeno. To velja tudi za tehnične spremembe naprave.
- UV-C naprava je opremljena z zaščitnim stikalom, ki v primeru odprtja naprave samodejno prekine dovajanje toka.
- Električni vtič in vsi priključki morajo biti vedno suhi. Priključni kabel UV-C naprave je treba položiti zaščiten, da se preprežijo morebitne poškodbe.

Navodila za uporabo filtra Ubbink BioPressure II -3000/6000/10000/18000

- Tlačni filter se sme zagnati šele po namestitvi vseh komponent in cevnih priključkov.
- Prepričajte se, da je naprava izklopljena, če se skozi napravo ne pretaka voda.
- Tlačni filter se sme uporabljati samo pri temperaturi vode od +5 °C do +35 °C.
- UV-C naprava z očitnimi poškodbami se ne sme uporabljati!
- Zamenjava omrežnega kabla na UV-C napravi ni možna. Če se kabel poškoduje, je treba UV-C napravo ustrezno odstraniti. Tlačnega filtra ne smejo uporabljati osebe (vključno z otroki) z omejenimi psihičnimi, senzoričnimi ali duševnimi sposobnostmi ali brez izkušenj in brez znanja, razen če jih nadzoruje oseba, odgovorna za njihovo varnost, ali če jih je takšna oseba poučila, kako se napravo uporablja. Otroke je treba nadzorovati, da bi zagotovili, da se z napravo ne igrajo.

Uporaba

BioPressure II je mehansko/biološki filter z integrirano UV-C napravo, ki se ga postavi ob ribnik, nad in pod vodno gladino. Filtrirano vodo iz ribnika lahko čez tlačni filter črpate tudi k višje ležečim slapom. Za doseganje vidnih uspehov z UV-C obsevanjem vode vam svetujemo, da vodo iz ribnika najmanj enkrat v celoti prečrpate v roku 2 ur (z ribjim staležem) ali v roku 4 ur (brez ribjega staleža).



Namestitev

POZOR! Pred kakršnimkoli posegom (prva montaža, čiščenje, vgradnja in menjava UV-C svetila itn.), morate vedno najprej izklopiti dovod električnega toka v UV-C napravo ali do črpalke!

1. Določite mesto postavitve filtra BioPressure (upoštevajte varnostna navodila). Filter lahko namestite nad zemljo ali ga vgradite pod zemljo. Če filter BioPressure zakopljete do višine pokrova v zemljo, pazite na vodoravno lego in ga dobro obsujete z zemljo oz. peskom.

2. Večji gumijast tesnilni obroček vložite na rob posode s filtrom. Pri tem bodite nujno pozorni, da se gumijast tesnilni obroček med nameščanjem ne zavije ali zatakne. Samo na ta način ste lahko prepričani, da boste pokrov lahko pravilno namestili in kasneje ne bo prišlo do izstopanja vode med obema deloma filtra.

Nasvet: Gumijasti tesnilni obroček navlažite z nekaj vode in ga nato vložite na malo višje mesto na zgornji rob filtrirne posode. Ko boste nameščali pokrov, se bo zraven navzdol in v ustrezen položaj premaknil tudi gumijasti tesnilni obroček.

3. Pokrov pritisnite na ohišje filtra v pravi položaj in nato preko roba ohišja in pokrova namestite napenjalni obroček ter zaprite filter.

4. Dovod za filter (A): univerzalni navojni priključek (črn) skrajšajte toliko, da bo ustrezal cevi za ribnik in ga pričvrstite na dovod filtra. Cev za ribnik skrajšajte na ustrezno dolžino in jo na črpalci in dovodu za filter nataknite na cevno navojni priključek ter jo zavarujte s cevnimi sponkami. V ribniku črpalco postavite na trdna tla, na mesto brez mulja in peska. Pred zagonom črpalke preberite navodila za uporabo in varnostna navodila prav tako pa tudi zahteve glede minimalne globine ribnika. Za namestitev cevnih navojnih priključkov uporabite ustrezne tesnilne obročke.

5. Odvod filtra (J): prozoren, univerzalni navojni priključek skrajšajte toliko, da bo ustrezal cevi za ribnik in ga pričvrstite na odvod filtra. Cev za ribnik skrajšajte na ustrezno dolžino, konec cevi nataknite na navojni priključek in jo zavarujte s cevnimi sponkami. Drugi konec cevi položite nazaj do ribnika oz. do slapa. Za prikllop cevnih navojnih priključkov uporabite ustrezen tesnilni obroček. Če se filtrirana voda preusmerja neposredno nazaj v ribnik, mora voda v ribnik padati iz višine pribl. 15-20 cm.

6. Odvod umazanije (I): črn, univerzalen navojni priključek skrajšajte toliko, da bo ustrezal cevi za ribnik in ga pričvrstite na odvod umazanije. Cev za ribnik skrajšajte na ustrezno dolžino, konec cevi nataknite na navojni priključek in jo zavarujte s cevnimi sponkami. Drugi konec cevi napeljite na mesto, kamor želite, da odteka umazana voda. Za prikllop cevnih navojnih priključkov uporabite ustrezen tesnilni obroček.

Opomba: Za časa trajanja obratovanja filtra lahko ta izpust zaprete tudi s pokrovom. V ta namen pokrov (steklo) namestite na odvod umazanije in ga pričvrstite z obročem. Navojni priključek s cevjo dajte na stran za kasnejši »Način čiščenja«.

7. Preden tlačni filter zaženete, se še enkrat prepričajte, da so vse kabelske povezave in cevni priključki pravilno nameščeni, ter da je filter s tesnilom dobro zaprt. Funkcijski gumb (B) mora biti nastavljen na »Obratovanje filtra«.

8. Zmeraj najprej vklopite črpalco in se prepričajte, da voda skozi tlačni filter teče enakomerno, ter da na filtru in cevnih priključkih ni nobenih nezatesnjenih mest. Šele po tem vklopite UV-C napravo.

9. Pomembno je, da vaš tlačni filter obratuje neprekinjeno. Dokončno ga smete izklopiti samo v namene vzdrževanja in med zimskim letnim časom. Priporočamo, da v času, ko se razvijajo bakterije (6–8 tednov) še ne vklopite UV-C naprave.

10. Če želite tlačni filter izklopiti (vzdrževanje in zimski letni čas), morate zmeraj najprej izklopiti UV-C napravo. Šele po tem izklopite črpalco in iz filtra spustite vodo.

Opomba: tlačni filter BioPressure ima filtrirne blazinice, na katerih se odlagajo takšni delci umazanije in lebdéči delci, ki pripomorejo, da se v obdobju pribl. 6–8 tednov po zagonu filtra na njih lahko razvijejo in razmnožijo kulture bakterij, ki so nujne tako za mehansko kot tudi biološko filtracijo vode. Zato zagotovite, da bo lahko filter v tem času dosegel svoje polne filtrirne lastnosti, ne da bi bile te delno ali v celoti prekinjene.

Navodila za uporabo filtra Ubbink BioPressure II -3000/6000/10000/18000



Vzdrževanje in čiščenje

POZOR! Preden kakršnimkoli posegom (prva montaža, čiščenje, vgradnja in menjava UV-C svetil itn.), morate vedno najprej izklopiti dovod električnega toka v UVC napravo ali do črpalke!

Odvajanje umazanije

Filtra BioPressure II načeloma ni potrebno vzdrževati. Glede na stopnjo onesnaženosti ribnika pa lahko umazanija, ki se nalaga v filtru, vpliva na učinkovitost filtriranja. Zaradi tega vam svetujemo (glede na stopnjo onesnaženosti), da naloženo umazanijo na približno dva tedna spereite.

1. Če je na delu za odvajanje umazanije nameščen pokrov (steklo), ga odstranite in na njegovo mesto namestite črn, univerzalen navojni priključek s cevjo.
2. Funkcijski gumb (B) vrtite v smeri pozicije »Način čiščenja« tako dolgo, da boste zaslišali tiho klikanje. Zdjaj bo iz odprine za odvajanje umazanije (I) začela pritekati voda.
3. Med tem, ko deluje »Način čiščenja«, imate možno, da funkcijski gumb (B) pritisnete navzdol in tako na rahlo iztisnete filtrirne gobe, brez da bi jih morali pri tem vzeti iz naprave. To počnite pazljivo! Če navzdol pritisnete prehitro in premočno, lahko zlomite notranji obroček iz plastike.
5. Ko začne iz filtra teči skorajda čista voda, funkcijski gum obrnite nazaj na položaj »Obratovanje filtra«.
6. Zdjaj lahko na del za odvajanje umazanije ponovno namestite pokrov (steklo).

Opomba: Filtra ne umijete/izperite čisto do konca. Če ga umijete/izperete do konca, lahko popolnoma uničite naseljene bakterijske kulture; kar pa do naselitve novih bakterijskih kultur vpliva na učinek filtracije.

Čiščenje filtrirnih gob

Če se kljub opravljenemu izpustu umazanije tlak v filtru še naprej povečuje, morate izprati filtrirne gobe. Tukaj vam je v pomoč kontrolni prikaz (D), ki se nahaja na zgornji strani pokrova.

Običajen tlak oranžen obroček je spodaj/se ga ne vidi.

Povečan tlak oranžen obroček prekriva zeleni cilindar = potrebno je čiščenje.

1. Vedno najprej izklopite integrirano UV-C napravo, nato pa še črpalco.
2. Iz filtra odstranite vse cevne priključke.
3. Odprite in odstranite zaporno ročico filtra (glejte sliko 1, 2, 3)
4. Dvignite in odložite pokrov na čisto površino, z zgornjim delom navzdol (glejte sliko 4).
5. Odstranite zgornje dno filtra, tako da obroček iz umetne mase najprej stisnete navzdol, nato malce vrtite, dokler se ga ne bo dalo rahlo dvigniti navzgor. Zdjaj izvlecite prvi sloj filtrirnih gob in na enak način odstranite ostala dna filtra. gobe in cevi (glejte sliko 5, 6, 7, 8, 9, 10).
6. Iztisnite in z vodo iz vodovoda dobro izperite filtrirne gobe.
7. Posodo filtra in pokrov izperite z vodo preko vrtno cevi.
8. V nasprotnem vrstnem redu ponovno vstavite filtrirne gobe, dna filtrov in cev. Začnite z veliko, modro filtrirno gobo, nadaljujte izmenično, najprej z rumeno, nato z modro.
9. Bodite pozorni na vdolbine na plastičnih obročih in filtrirnih gobah; te se morajo tesno nalegati druga na drugo. Vmesni prazni prostori ali zataknjeni deli bodo bistveno otežili ponovno sestavo filtra.
10. Pokrov pritisnite na ohišje filtra v pravi položaj in nato preko roba ohišja in pokrova namestite napenjalni obroček ter zaprite filter (glejte »Namestitev«).

Menjava UV-C svetilke

V filter BioPressure integrirana UV-C naprava ima UV-C svetilko z življenjsko dobo pribl. 8.000 delovnih ur. Po preteku tega časa se zmogljivost UV-C toliko zmanjša, da je treba UV-C svetilko zamenjati. Ustrezno nadomestno UV-C svetilko prejmete pri vašem specializiranem prodajalcu Ubbink. Uporabljajte le UV-C svetilke, katerih opis in zmogljivost ustrezata podatkom na tipski tablici.

UV-C svetilko zamenjajte, kot sledi:

1. Odstranite ročaj in nato iz UV-C pokrova, ki je pritrjen na filter, odvijte vijake (glejte sliko 11).
2. Snemite UV-C pokrov in UV-C svetilko pazljivo izvlecite iz okova ter nato pazljivo vstavite nadomestno UV-C svetilko. (Glejte slike 12, 13, 14)
3. Ponovno namestite UV-C pokrov ter ga skupaj z ročajem čvrsto pritrдите (glejte sliko 15, 16).

Pozor: UV-C svetilke se ne dotikajte z golimi rokami!! To jo lahko poškoduje.

Čiščenje/menjava UV-C kvarčnega stekla

Priporočamo, da UV-C kvarčno steklo najmanj dva do trikrat na leto očistite umazanije in vodnega kamna. Pogostost čiščenja je odvisna od porasta alg kot tudi od stopnje onesnaženosti vode v ribniku.

1. Vedno najprej izklopite integrirano UV-C napravo, nato pa še črpalco.
2. Da poenostavite vzdrževalna dela, predlagamo popolno izpraznitev filtra.
3. Odstranite UV-C pokrov, kot smo to opisali pri menjavi UV-C svetilke.
4. Izvzemite UV-C svetilko in nato iz ohišja pazljivo izvlecite UV-C kvarčno steklo. To je vstavljeno in ga lahko enostavno izvlecete. Gumijast obroček preprečuje zdrs.
5. UV-C kvarčno steklo očistite z vodo iz vodovoda in mehko krpo za čiščenje. **Pozor!!** Pazite, da kvarčnega stekla ne sprskate in se steklenega dela po možnosti ne dotikajte neposredno z rokami. Zaradi UV-C sevanja se na stekleni bat zapečejo znoj in maščoba, kar lahko posledično zmanjša zmogljivost vaše UV-C naprave. **Pozor!!** Pazite, da kvarčnega stekla ne sprskate in se steklenega dela po možnosti ne dotikajte neposredno z rokami. Zaradi UV-C sevanja se na stekleni bat zapečejo znoj in maščoba, kar lahko posledično zmanjša zmogljivost vaše UV-C naprave.
6. Ohišje iz plastike, v katerem je nameščeno UV-C kvarčno steklo, sperite z vodo in ga, pred ponovno sestavo naprave, posušite.
7. Preden UV-C kvarčno steklo ponovno vstavite, ga skrbno osušite.
8. Ponovno vstavite UV-C svetilko in UV-C del zaprite v obratnem vrstnem redu.
9. Po tem zmeraj vklopite najprej črpalco, šele nato pa UV-C napravo.

Skladiščenje/prezimitvev

Tlačni filter je treba v primeru mraza demontirati in shraniti na mestu, zaščitenem pred zmrzaljo. Pred tem pa je treba napravo še temeljito očistiti in jo pregledati, če so prisotne poškodbe.



Problemi in rešitve:

Problem	Možni vzrok	Rešitev
Po 6 do 8 tednih še ni nobenih pozitivnih rezultatov delovanja filtra.	Filter ne deluje 24 ur na dan, npr. ponoči se ga izklopi.	Filter mora biti vklopljen neprestano.
	Filtrirni mediji so bili v obdobju prvih 6-8 tednov očiščeni.	Pustite filter v prvih 6-8 tednih delovati brez čiščenja.
	Voda ribnika je izjemno umazana.	Zamenjajte vodo in odstranite alge.
	Vrednosti vode niso v redu, npr. previsoka vrednost pH.	Vrednosti vode redno preverjajte in jih po potrebi izboljšajte.
	Voda ribnika ima prenizko vrednost kisika.	Uporabite zračno črpalko za izravnavo izgub kisika.
	V ribniku je preveč živih bitij.	Smernica: ribe so lahko velike največ 50–70 cm (celotna dolžina) na 1.000 litrov volumna ribnika
	Filter ali UV-C kvarčno steklo je umazano.	Očistite umazane dele.
Na vhodih/izhodih se voda ne izmenjuje	UV-C naprava ne deluje	lahko, da je okvarjena UV-C svetilka in jo je treba zamenjati. Preverite priklop na omrežje.
	Stikalo je nastavljeno na »Čiščenje«	Stikalo ne nastavljeno na »Filtriranje«
	Vhod je zamašen	Očistite vhod.



Garancija

Za filter Ubbink BioPressure dajemo 3-letno garancijo za dokazljive napake v materialu in proizvodnji, ki prične teči z dnem nakupa. Za uveljavljanje garancije je treba kot dokazilo o nakupu predložiti originalni račun.

Poleg tega dajemo za filter Ubbink BioPressure 12-mesečno garancijo za čisto in zdravo vodo. Ta garancija velja 12 mesecev od datuma nakupa pod pogojem, da od 6. tedna po zagonu filtra BioPressure ni prišlo do dokazljivih uspehov pri filtriranju vode v bazenčku, zlasti ne pri razgradnji lebdječih alg. Za uveljavljanje garancije za čisto vodo izhaja Ubbink iz tega, da boste upoštevali navodilo za uporabo in izbrali ustrezen sistem (filter BioPressure in priporočeno črpalko) za bazenček, ki ga želite filtrirati.

Garancija ne zajema:

- zloma stekla oz. okvare pri UV-C žarnici in/ali kremenovem steklu UV-C naprave
- reklamacije, ki so posledica napačne vgradnje in uporabe, pomanjkljive nege, zmrzali, nestrokovnih poskusov popraviljanja, nasilne uporabe, tuje krivde, preobremenitve ali tujk ter vseh poškodb delov zaradi izrabe.



Garancija za čisto vodo

Naš tlačni filter BioPressure II je opremljen z visokokakovostno UV-C napravo 11 wattov, posebnim sistemom filtrirnih blazin kot tudi z integriranim elementom za odvod umazane vode. Vse to nam omogoča, da jamčimo za čisto in zdravo vodo!

Ta garancija velja 12 mesecev od datuma nakupa.

Za uveljavljanje garancije za čisto vodo predpostavljamo, da:

- ste upoštevali navodila za uporabo filtra BioPressure in ste za ribnik, ki ga želite filtrirati, izbrali ustrezen sistem (filter in priporočena črpalka),
- po šestem mesecu obratovanja še dokazano ni bilo nobenega uspeha pri filtriranju vode ribnika, še posebej ne pri razgradnji fitoplanktona (zelená voda).

Ob morebitnih težavah se obrnite na vašega specializiranega prodajalca.



Zaščita okolja

Stare električne naprave se ne smejo odlagati skupaj z navadnimi hišnimi odpadki. Prinesite staro napravo na Vam najbližje zbiralno mesto. Podrobnejše informacije dobite v Vaši trgovini ali v podjetju za zbiranje in odlaganje nevarnih in posebnih odpadkov.



Tisztelt Ügyfelünk!

Gratulálunk a minőségi Ubbink BioBalance tószűrő termék sor termékének választásához.

Jelen használati útmutató fontos információkat ad Önnek a BioPressure nyomásos szűrő összeszerelésére, üzembe helyezésére és ápolására vonatkozóan. Kérjük, olvassa el figyelmesen a használati útmutatót a szűrő telepítése előtt és ismerje meg a készüléket. Kérjük, mindenképpen tartsa be a biztonsági felhívásokat a helyes és biztonságos használatra vonatkozóan. Kérjük, őrizze meg a használati útmutatót!

A kiszállítás tartalma

- 1 BioPressure II nyomásos szűrő integrált UV-C készülékkel.
- 1 univerzális tömlőszövet, 40-32-25-19mm, áttetsző
- 2 univerzális tömlőszövet, 40-32-25-19mm, fekete
- 3 tömítőgyűrű 1 ½"
- 1 csavaros gyűrű zárosapkával (üveg)
- 1 használati útmutató

Műszaki adatok

BioPressure II	3000	6000	10000	18000
Cikkszám	1355408	1355409	1355410	1355413
Szűrőtartalom	10 Liter	10 Liter	15 Liter	25 Liter
Szűrőközeg	Speciális szintes szűrőlap	Speciális szintes szűrőlap	Speciális szintes szűrőlap	Speciális szintes szűrőlap
Nyomásterhelés	max. 0,49 bar	max. 0,49 bar	max. 0,49 bar	max. 0,49 bar
UV-C-sugárzó	PL-S 5 W	PL-S 9 W	PL-S 11 W	PL-L 18 W
Hálózati feszültség / frekvencia	230 VAC / 50 Hz	230 VAC / 50 Hz	230 VAC / 50 Hz	230 VAC / 50 Hz
Kábelhossz	4,5 m	4,5 m	4,5 m	4,5 m
UV-C-teljesítmény kb. 5.000 óra után	85%	85%	85%	85%
Cikkszám a csere UV-C kvarcúveghez	1358765	1358766	1358730	1358767
Cikkszám az UV-C cserelámpához	1355109	1355110	1355112	1355115
max. tartalom	3.000 Liter	6.000 Liter	10.000 Liter	18.000 Liter

Szimbólumok és beállítási lehetőségek

- Vízbeemet a szivattyúról a szűrőre
- Vízkieresztés a szűrőről a tóba
- Vízkieresztés a tisztítóüzemben
- Funkciókapcsoló „szűrőüzemhez“
- Funkciókapcsoló „tisztítóüzemhez“



Biztonsági felhívások

FIGYELMEZTETÉS: Az UV sugárzás veszélyes a szemekre és a bőrre. Az UV-C sugárzó nem üzemeltethető, ha azt kivették a készülék foglalatából!

FIGYELEM: Jelen készülék UV-C sugárzót tartalmaz! A készülék véletlen használata vagy a foglalat károsodása a veszélyes UV-C sugárzás kilépését vonhatja maga után. Az UV-C sugárzás kis mértékben is károsítja a szemeket és a bőrt.

- Az áramellátásnak meg kell felelnie a termékspecifikációkban foglaltaknak. Ne csatlakoztassa az UV-C készüléket, ha az áramellátás nem felel meg a meghatározott előírásoknak! További információkat a helyi, hivatalos villanyszerelőtől kaphat.
- Az UV-C készülék áramellátását hibaáram védőrelével (FI, ill. RCD) kell biztosítani, mely max. 30 mA mérési hibaárammal rendelkezik.
- Az UV-C készüléket minden beavatkozás előtt (telepítés, karbantartás stb.) le kell választani a hálózatról!
- A nyomószűrő és az UV-C készülék semmilyen körülmények között nem helyezhető üzembe víz alatt és a tó mellett úgy kell telepíteni, hogy az elárasztása kizárható legyen.
- A nyomószűrő telepítését a tótól, ill. medencétől 2 m-t meghaladóan, az áramcsatlakoztatás telepítését pedig 2,5 m-t meghaladóan kell elvégezni.
- Nem engedélyezett az UVC készülék vagy a hozzá tartozó alkatrészek felnyitása, ha arra jelen használati útmutató külön nem utasít. Ez vonatkozik a készülék műszaki módosítására is.
- Az UV-C készülék védőkapcsolóval rendelkezik, mely a készülék felnyitásakor automatikusan megszakítja az áramellátást.

Az Ubbink BioPressure II -3000/6000/10000/18000 használati útmutatója

- A hálózati csatlakozót és minden csatlakozóelemet mindig szárazon kell tartani. Az UV-C készülék csatlakozókábelét védetten kell elvezetni, az esetleges károsodások elkerülése érdekében.
- A nyomósűrőt csak az összes komponens és tömlőcsatlakozás telepítése után szabad üzembe helyezni.
- Biztosítsa, hogy a készülék kikapcsolt állapotban van, ha nem áramlik víz a készüléken át.
- A nyomósűrő csak +5°C és +35°C közötti vízhőmérsékletet esetén üzemeltethető.
- A nyilvánvaló károkkal rendelkező UV-C készülék nem helyezhető üzembe.
- A hálózati károkkal rendelkező UV-C készülék károszerűen kell ártalmatlanítani.
- A hálózati kábel cseréje az UV-C készüléken nem lehetséges. Ha a kábel károsodott, az UV-C készüléket károszerűen kell ártalmatlanítani.
- A nyomósűrő nem használható olyan személyek által (ide értve a gyermekeket is), akik korlátozott pszichikai, szenzoros vagy szellemi képességekkel rendelkeznek, nem rendelkeznek tapasztalatokkal és ismeretekkel, kivéve, ha őket egy a biztonságért felelős személy felügyeli, aki utasításokat ad a készülék használatára vonatkozóan. A gyermekeket felügyelni kell és biztosítani kell, hogy nem játszanak a készülékkel.

Használat

A BioPressure II egy mechanikai / biológiai működésű nyomósűrő integrált UV-C készülékkel tavak melletti vagy a vízsint alatti felállításhoz. A szűrt tóviz a nyomósűrőn át akár magasabban lévő vízhelyezetre is szivattyúzható. Az UV-C sugárzás során való sikeres elérése érdekében a tóviz 2 órán belül (halas tó) vagy 4 órán belül (halak nélküli tó) legalább egyszer teljesen átkeverésre kerül.

Telepítés

FIGYELEM! Minden beavatkozás előtt (első összeszerelés, tisztítás, az UVC-lámpa beszerelése és cseréje) mindig először meg kell szakítani az UVC-készülék és a szivattyú áramellátását!

- Határozza meg a BioPressure-sűrő helyszínét (a biztonsági felhívásokat be kell tartani). A sűrő összeszerelése mind a föld felett, mind a talajba építve lehetséges. A BioPressure-sűrő fedélmagasságig való beásásakor ügyeljenek arra, hogy a sűrő vízszintesen álljon és földdel, ill. homokkal utántöltötték.

- A nagy gumi tömitőgyűrű behelyezése a szűrőedény peremére. Ennek során mindenképpen ügyeljenek arra, hogy a gumi tömitőgyűrű behelyezéskor ne forduljon el és ne legyen ferde. Csak ekkor lehet biztos abban, hogy a fedél megfelelően helyezkedik el és később nem jut víz a két szűrőelem közé.

Tipp: Nedvesítse be a gumi tömitőgyűrűt vízzel és helyezze azt valamivel magasabban a szűrőtartó felső peremére. Míg a fedelet felnyomják, a gumi tömitőgyűrű lefelé helyzetbe görődül.

- Nyomják a fedelet helyzetbe a szűrőházra, majd helyezéék a feszítőgyűrűt a szűrőház peremére és fedelére, majd zárják le a szűrőt.

- Szűrőbemenet (A): Az univerzális tömlőszövetet (fekete) rövidítsék le a tő tömlőjéhez és csavarozzák be azt a szűrőbemenetre. Rövidítsék a tömlőt a szükséges hosszra, helyezéék fel a szivattyún és szűrőbemeneten lévő tömlőszövetre és biztosítsák azt a tömlőszorítókkal. A szivattyú a tóban szilárd alapzatra állítsák fel, iszaptól és homoktól mentes területen. A szivattyú üzembe helyezése előtt olvassák el a használati útmutatót és a biztonsági felhívásokat, valamint a minimális mérítési mélységre vonatkozó előírásokat. A tömlőszövetek csatlakoztatása során használják a megfelelő tömitőgyűrűket.

- Szűrőkieresztés (J): Az áttetsző univerzális tömlőszövetet rövidítsék a tötömlő méretére és csavarozzák azt a szűrőkimenetre. Rövidítsék a tömlőt a szükséges hosszúságra és helyezéék a tömlőszövetre egy tömlőszorítóval biztosítva azt. A tömlő másik végét vezessék vissza a tóhoz, ill. a vízeshézh. A tömlőszövet csatlakoztatása során használják a megfelelő tömitőgyűrűt. Ha a szűrt vizet közvetlenül a tóba vezetik vissza, a víznek kb. 15-20 cm-es esési magasságban kell befolynia a tóba.

- Szennyeződés kieresztése (I): A fekete univerzális tömlőszövetet rövidítsék a tötömlőhöz illeszkedően és csavarozzák azt a szennyeződéskieresztőjéhez. Rövidítsék a tötömlőt a szükséges hosszra, helyezéék fel a tömlő egyik végét a tömlőszövetre és biztosítsák azt tömlőszorítóval. A tömlő másik végét vezessék azon helyre, ahol a szennyvizet el kívánják vezetni. A tömlőszövet csatlakoztatása során használják a megfelelő tömitőgyűrűt.

Felhívás: A sűrő üzeme alatt ezen kieresztés egy sapkával is lezárható. Helyezéék fel ehhez a zárósapkát (üveg) a szennyeződéskieresztésre és csavarozzák azt rá egy gyűrűvel. Órizzék meg a tömlőszövetet a tömlővel együtt a későbbi „tisztítási üzemhez”.

- Mielőtt a nyomósűrőt üzembe helyeznék, biztosítsák még egyszer, hogy minden kábelkötés és tömlőcsatlakozás megfelelően helyezkedik el és a sűrő a tömítéssel jól zár. A funkciókapcsolót (B) „szűrőfunkció” helyzetbe kell kapcsolni.

- Először mindig a szivattyút kapcsolják be és ellenőrizzék, hogy a víz egyenletesen halad át a nyomósűrőn és hogy a szűrőn és a tömlők kötéseken nincsenek olyan helyek, melyek eresztenek. Az UV-C készüléket csak ezután kapcsolják be.

- Fontos, hogy a nyomósűrő folyamatosan üzemben legyen. A szűrőt csak a karbantartáshoz és a téli időszak alatt kell teljesen lekapcsolni. A baktériumok fejlődése alatt (6-8 hét) javasoljuk, hogy az UV-C készüléket hagyják kapcsolva.

- Ha a nyomósűrőt üzemem kívül kell helyezni (karbantartás és téli időszak), úgy először az UV-C készüléket kell lekapcsolni. A szivattyút csak ezután kapcsolják ki és ezután eresszék ki a vizet a szűrőből.

Felhívás: Jelen BioPressure nyomósűrő egy szűrőlapos készlettel rendelkezik, melynek struktúráira olyan szennyeződérszecskek és lebegő anyagok ülepedhetnek le, melyek hozzájárulnak ahhoz, hogy az üzembe helyezés utáni kb. 6-8 héten belül baktériumkultúrák fejlődhetnek ki és épülhetnek fel, melyek mind a mechanikai, mind a biológiai szűréshez szükségesek. Hagyjon lehetőséget ezért a nyomósűrőnek arra, hogy ezen idő alatt a szűrőutalajonságai teljesen kifejődhessenek, anélkül, hogy annak üzemét részben teljesen megszakítsanak.

Az Ubbink BioPressure II -3000/6000/10000/18000 használati útmutatója

Karbantartás és tisztítás

FIGYELEM! Minden beavatkozás előtt (első összeszerelés, tisztítás, az UVC-lámpa beszerelése és cseréje) mindig először meg kell szakítani az UVC-készülék és a szivattyú áramellátását!

A szennyeződés leeresztése

A BioPressure II nagyrészt karbantartásmentesen működik. A tóviz szennyezettségi fokának függvényében a szennyeződéslerakódások csökkenthetik a tisztítási hatást. Ezért (a szennyezettség fokának függvényében) a szennyeződéslerakódásokat körülbelül 2 hetente le kell öblíteni.

- Ha a szennyeződéskieresztésre lezárósapkát (üveg) szerelnek, úgy távolítsák el azt és csatlakoztassák ehhez a fekete univerzális tömlőszövetet.
- Forgassák a funkciókapcsolót (B) a „tisztítási üzem” helyzetbe, míg enyhé kattanást nem hallanak. A víz ekkor kiáramlik a szennyeződéskieresztés nyílásán keresztül (I).
- A „tisztítási üzem” alatt lehetősége van a funkciókapcsoló (B) lefelé nyomására, hogy ezen a módon a szűrőszivacsokat enyhén lenyomják, anélkül hogy az ki kellene venni a készülékből. Ennek során körültekintően járjon el! A gyors és erős lenyomással a belső műanyag gyűrű eltörhet.
- Ha tiszta víz folyik a szűrőből, forgassák a funkciógombot vissza „szűrőüzembe”.
- E kkor a szennyeződéskieresztésre visszaszerelhető a lezárósapka (üveg).

Felhívás: Kérjük, a szűrőt ne mossák ki / öblítsék ki teljesen. A rátelepedett baktériumkultúrák ezzel teljesen megsemmisülének, ami a tisztítási teljesítményt az új kultúrák létrejöttéig korlátozná.

A szűrőszivacsok tisztítása

Ha az elvégzett szennyeződéskieresztés ellenére a szűrőben lévő nyomás tovább növekedik, a szűrőszivacsokat cserélni kell. Ennek segítését szolgálja a kontrollkijelző (D) a fedél felső oldalán.

Normál nyomás	A narancsszínű gyűrű alul van / nem látható
A nyomás megnövekedett	A narancsszínű gyűrű elfedi a zöld hengert = tisztítás szükséges.

- Mindig először az integrált UV-C készüléket kapcsolják ki, majd azt követően a szivattyút.
- Távolítsák el a szűrőn lévő összes tömlőcsatlakozást.
- Nyissa fel és távolítsa el a szűrő zárókengyelét (lásd az 1, 2, 3 ábrákat).
- Emelje fel a fedelet és helyezze azt egy tiszta felületre a felső oldallal lefelé (lásd a 4. ábrát).
- Távolítsa el a felső szűrőpadlót úgy, hogy a műanyag gyűrűt először enyhén lenyomja, majd kissé elfordítja, míg az enyhén felfelé nem emelkedik. Húzza le az első réteg szűrőszivacsot és távolítsa el azonos módon a többi szűrőpadlót, szűrőszivacsot és csövet (lásd az 5, 6, 7, 8, 9 és 10. ábrákat).
- Nyomja le és tisztítsa meg a szűrőszivacsokat csapvizel.
- Öblítse ki a szűrőedényt és a fedelet kerti slaggal.
- Helyezze vissza a szűrőszivacsokat, a szűrőpadlót és a csöveket fordított sorrendben. Kezdje a nagy, kék szűrőszivaccsal, majd váltakozva a sárgával és kékkel.
- Ügyeljen a műanyag gyűrűkőn és szűrőszivacsokon lévő kialakításokra, hogy a szűrőszivacsok szorosan egymás mellett legyenek. A köztes terek vagy az elcsúszás az összeszerelés rendkívül megnehezítheti.
- Nyomják a fedelet helyzetbe a szűrőházra, majd helyezéék a feszítőgyűrűt a szűrőház peremére és fedelére, majd zárják le a szűrőt (lásd a telepítést).

Az UVC lámpa cseréje

A BioPressure szűrőbe integrált UV-C készülék egy UV-C lámpával felszerelt, melynek élettartama kb. 8.000 üzemóra. Ezen idő lejárta után az UV-C teljesítmény annyira csökken, hogy az UV-C lámpát cserélni kell. A szükséges UV-C cserélámpa az Ubbink szakkereskedelmekben kapható. Csak olyan UV-C lámpákat használjon, melyek megnevezése és teljesítménye megegyezik a típustáblán megadott adatokkal.

Az UV-C lámpa cseréjét az alábbiak szerint végezzék el:

- Csavarozza le a kézi fogantyút és forgassa ezután ki a csavarokat az UV-C fedélből, mely a szűrőben rögzített (lásd a 11. ábrát).
- Vegye le az UV-C fedelet, húzza ki óvatosan az UV-C lámpát a foglalatból és helyezze vissza óvatosan az UV-C cserélámpát. (lásd a 12, 13, 14. ábrákat)
- Helyezze vissza za UV-C fedelet és csavarozza rá azt és a kézi fogantyút (lásd a 15, 16. ábrákat).

Figyelem: Kérjük, az UV-C lámpát ne fogja meg pusztá kézzel!! Ez károsíthatja a lámpát.

Az UV-C kvarcüveg tisztítása / cseréje

Az UV-C kvarcüveget legalább évente kétszer vagy háromszor meg kell tisztítani a szennyeződésektől és vízkőlerakódásoktól, a tóban lévő algásodás, ill. a tó vizének szennyezettsége függvényében.

- Mindig először az integrált UV-C készüléket kapcsolják ki, majd azt követően a szivattyút.
- A karbantartási munkálatok egyszerűsítése érdekében a szűrőt teljesen őrítsék ki.
- Távolítsa el az UV-C fedelet az UV-C lámpa cseréje részben leirtak szerint.
- Vegye ki az UV-C lámpát, majd húzza ki óvatosan az UV-C kvarcüveget a foglalatból.
- Éz csak dugaszolja van és egyszerűen kihúzható. Egy gumigyűrű meggátolja az elcsúszást.
- Az UV-C kvarcüveget csapvizzel és lágy tisztítókendővel tisztítsa. **Figyelem!!** Ennek során kerüljék el a kvarcüveg megkarcolódását és az üvegrudakat lehetőleg ne fogják meg közvetlenül kézzel. Az UV-C sugárzás beégeti az izzadtságot és a zsírt az üvegrúdba, és ez az UV-C készülék teljesítményének csökkenéséhez vezethet.
- Öblítse a műanyag foglalatot, melyben az UV-C kvarcüveg elhelyezésre került, vízzel és szárítsák meg a házat az összeszerelés előtt.
- Az UV-C kvarcüveget óvatosan szárítsák meg, mielőtt azt visszahelyeznék.
- Helyezéék vissza az UV-C lámpát és zárják vissza az UV-C szelektőt fordított sorrendben.
- Ezután először a szivattyút, majd az UV-C készüléket kapcsolják be.

Tárolás / áttelelés

A nyomósűrőt fagy során le kell szerelni és fagymentesen kell tárolni azt. Előzőleg azonban alapos tisztítást kell elvégezni és ellenőrizni kell a készüléket károsodásokra vonatkozóan.

Az Ubbink BioPressure II -3000/6000/10000/18000 használati útmutatója



Problémák és megoldások:

Probléma	Lehetséges ok	Megoldás
6-8 hét után még nem tapasztalható pozitív szűrési eredmény.	A szűrő nem fut 24 órát naponta, pl. éjszakára kikapcsolják.	A szűrőt folyamatosan jártni kell.
	A szűrőközeg az első 6-8 héten belül tisztították.	A szűrőt az első 6-8 héten tisztítás nélkül kell jártni.
	A tó vize rendkívül szennyezett.	Cseréljék a vizet és távolítsák el az algákat.
	A vízértékek nincsenek rendben, pl. annak túl magas a pH-értéke.	A víz értékeit rendszeresen teszteljék és szükség esetén korrigálják.
	A tó vize túl alacsony oxigéntartalommal rendelkezik.	Szellőzőszivattyú használata az oxigénvesztés pótlására.
	Túl sok élőlény található a tóban.	Irányelv: max. 50-70 cm hal (teljes hossz) 1000 liter térvolumenenként.
	A szűrő vagy az UV-C kvarcvegé szennyezett	Tisztítsák meg az adott részeket
Az UV-C készülék nem dolgozik	Az UV-C lámpa adott esetben meghibásodott és cserélni kell.	
	Ellenőrizték a hálózati csatlakozást	
Nincs vízcsera a be-/kimeneteknél	A kapcsoló „tisztításra” kapcsol	Állítsák a kapcsolót „szűrésre”
	A bemenet eltömődött	Tisztítsák

3

Garancia

Bizonyítható anyag-és gyártási hiba ellenében az Ubbink BioPressure-szűrőre Önnek 3 éves garanciát nyújtunk, ami a vásárlás dátumától érvényes. A garancia igénybevételéhez vásárlás igazolásaként az eredeti vásárlási igazolást kell bemutatni.

Kiegészítőlegesen az Ubbink BioPressure-szűrőre a tiszta és egészséges víz számára egy 12 hónapos tiszta víz-garanciát nyújtunk. Ez a garancia a vásárlás dátumától számítva 12 hónapra érvényes, azzal a feltétellel, hogy a BioPressure-szűrő üzembevétele után számított 6. héttől a tóvíz szűrése esetén még nincs bizonyítható eredmény elérve, különösen a lebegő algák csökkenése esetén. A tiszta víz- garancia igénybevételének esetén az Ubbink feltételezi, hogy a használati útmutatót figyelembe vették és a hozzáillő rendszert (BioPressure-szűrő és ajánlott szivattyú) kiválasztották a szűrendő tó számára.

Nem esik garancia alá:

- az UV-C-lámpa és/vagy az UV-C-készülék kvarcvegének törése vagy sérülése
- rekkamációk, melyeknek okai szerelési- és kezelési hibákra, hiányos ápolásra, fagyhatásra, szakszerűtlen javítási kísérletekre, erőszakhoz folyamodásra, idegenek hibájára, túlterhelésre vagy idegen testekre, valamint kopás által okozott részkárookra vezethetők vissza



Tisztavíz garancia

BioPressure II nyomószűrőink minőségi UV-C készülékkel (11 Watt), speciális szűrőlaprendszerrel, valamint integrált szennyvízkieresszéssel rendelkeznek. Ez lehetővé teszi számunkra, hogy tiszta és egészséges vizet garantáljunk Önöknek!

Ez a garancia a vásárlás dátumától számított 12 hónapig érvényes.

A tisztavíz garancia igénybe vételének előfeltétele, hogy

- a BioPressure üzemeltetési útmutatóját betartják és a megfelelő rendszert (szűrő és javasolt szivattyú) választották a szűrni kívánt tóhoz.
- az üzembe helyezés utáni hatodik héttől még nem tapasztalható a tóvíz szűrése és különösen nem tapasztalható a lebegő algák leépítése (zöld víz).

Esetlegesen fellépő problémák esetén kérjük, forduljon a szakkereskedéshez.



Környezetvédelem

Régi villamos készülékeket ne dobjon el a háztartási szeméttel. Kérjük vigye a régi készüléket az Ön helyi gyűjtőhelyére. További információkat kereskedőjétől vagy a hulladékok eltávolító vállalattól kaphat.

EST Survefiltr Ubbink BioPressure II -3000/6000/10000/18000 kasutusjuhend



Lugupeetud klient

Õnitleme teid Ubbink BioBalance'i kvaliteetsete tiigifiltrite seeriasse kuuluva toote ostmise eest.

Kasutusjuhendist saate olulist teavet, millest on abi BioPressure'i survefiltriga paigaldamisel, kasutuselevõtul ja hooldusel. Palun lugege see kasutusjuhend enne filtriga paigaldamist tähelepanelikult läbi ja tutvuge seadmega. Järgige tingimata seadme õigeks ja ohutuks kasutamiseks vajalikke ohutusjuhiseid. Hoidke see kasutusjuhend hoolikalt alles!

Tarnekomplekt

- 1 survefilter BioPressure II integreeritud UV-C-seadmega
- 1 universaalne voolikunippel 40-32-25-19 mm, läbipaistev
- 2 universaalne voolikunippel 40-32-25-19 mm, must
- 3 rõngastihend 1½"
- 1 rõngaskruvi sulgekorgiga (klaasist)
- 1 kasutusjuhend

Tehnilised andmed

BioPressure II	3000	6000	10000	18000
Tootenumber	1355408	1355409	1355410	1355413
Filtri maht	10 Liitrit	10 Liitrit	15 Liitrit	25 Liitrit
Filtri materjal	Spetsiaalne mitmekihiline filtermatt	Spetsiaalne mitmekihiline filtermatt	Spetsiaalne mitmekihiline filtermatt	Spetsiaalne mitmekihiline filtermatt
Rõhualuvus	max. 0,49 bar	max. 0,49 bar	max. 0,49 bar	max. 0,49 bar
UV-C-kiirgur	PL-S 5 W	PL-S 9 W	PL-S 11 W	PL-L 18 W
Võrgupinge/sagedus	230 VAC / 50 Hz	230 VAC / 50 Hz	230 VAC / 50 Hz	230 VAC / 50 Hz
Kaabli pikkus	4,5 m	4,5 m	4,5 m	4,5 m
UV-C-voimsus pärast u 5000 tundi	85%	85%	85%	85%
UV-C-kvartsklaasi varuosanumber	1358765	1358766	1358730	1358767
UV-C-lambi varuosanumber	1355109	1355110	1355112	1355115
Tiigi maks. maht	3.000 Liitrit	6.000 Liitrit	10.000 Liitrit	18.000 Liitrit

Sümbolid ja seadistusvõimalused



Vee sisselase pumbast filtrisse



Vee väljalase filtrist tiiki



Vee väljalase puhastusrežiimis



Funktsioonilüliti „Filtreerimisrežiim”



Funktsioonilüliti „Puhastusrežiim”



Ohutusjuhised

HOIATUS! UV-kiirgus on ohtlik silmadele ja nahale. UV-C-kiirguri ei tohi lasta töötada, kui see on seadme korpuselt välja võetud!

TÄHELEPANU! See seade sisaldab ainult UV-C-kiirguri! Seadme kogemata kasutamisel või korpusse kahjustamisel võib tagajärjeks olla ohtliku UV-C-kiirguse väljapääs. UV-C-kiirgus võib silmi ja nahka kahjustada ka väikese doosi korral.

- Elektritoide peab vastama toote tehnilistele andmetele. Ärge ühendage UV-C-seadet, kui selle elektritoide ei vasta kehtivatele eeskirjadele! Lisateavet saate kohalikul pädevalt elektrikult.
- UV-C-seadme vooluahelat tuleb kaitsta rikkevoolu-kaitseülilüti (FI või RCD) abil maksimaalse mõote-rikkevooluga 30 mA.
- Enne mis tahes tööd seadme juures (paigaldamist, hooldust jne) tuleb UV-C-seade võrgust lahti ühendada!
- Survefiltrit koos UV-C-seadmega ei tohi mingil juhul kasutada vee all ja see tuleb tiigi kõrvale paigaldada nii, et seda ei ujutataks kunagi üle.
- Survefilter tuleb tiigist või veekogust paigaldada kaugemale kui 2 m ja elektriühendus kaugemale kui 3,5 m.
- UVC-seadet või selle juurde kuuluvaid osi on keelatud avada – välja arvatud juhul, kui selles kasutusjuhendis on seda selgesõnaliselt palutud. See kehtib ka seadme tehnilise muutmise kohta.
- UV-C-seadmel on kaitseülilüti, mis katkestab seadme avamisel automaatselt elektritoite.
- Võrgupistik ja ühenduse köik kohad tuleb hoida alati kuivad. Võimalike kahjustuste vältimiseks tuleb UV-C-seadme toitekaabel paigaldada kaitstult.
- Survefiltrit tohib kasutusele võtta alles pärast kõigi komponentide ja vooliküühenduste paigaldamist.
- Veenduge, et seade on välja lülitatud, kui sellest ei voola läbi vett.

Survefiltri Ubbink BioPressure II -3000/6000/10000/18000 kasutusjuhend

- Survefiltrit tohib kasutada ainult veetemperatuuril +5 °C kuni +35 °C.
- Nähtavate kahjustustega UV-C-seadet ei tohi kasutada!
- UV-C-seadme toitekaablit ei ole võimalik välja vahetada. Kui kaabel saab kahjustada, tuleb UV-C-seade asjakohaselt kasutuselt kõrvaldada.
- Survefiltrit ei tohi kasutada kehaliste, sensoorsete või vaimsete puuetega või puudulike teadmiste ja kogemustega isikud (sh lapsed) – välja arvatud juhul, kui nende üle teostatakse järelevalvet või kui nende ohutuse eest vastutav isik on neile seadme kasutamist õpetanud. Valvake laste järele, et nad ei saaks seadmega mängida.

Kasutamine

BioPressure II on mehaaniliselt/bioloogiliselt töötav survefilter integreeritud UV-C-seadmega paigaldamiseks tiigi kõrvale kas veepinna kohale või sellest allapoole. Filtreeritud tiigivee võib läbi survefiltri pumbata ka kõrgemal paiknevasse veekogusse. UV-C-kiirguse nähtava toime saavutamiseks tuleb tiigivesi 2 tunni jooksul (kalavaruga tiigi puhul) või 4 tunni jooksul (ilma kalavaruta tiigi puhul) vähemalt üks kord komplekselt läbi pumbata.



Paigaldamine

TÄHELEPANU! **Enne mis tahes töö alustamist UVC-seadme ja pumba juures (esmakordne montaaž, puhastamine, UVC-lambi paigaldamine ja vahetamine jne) tuleb esmalt katkestada UVC-seadme ja pumba elektritoided!**

- Määrake BioPressure-filtri paigalduskoht (järgige ohutusjuhiseid). Filtri võib paigaldada nii maa peale kui ka süvistatuna maa alla. BioPressure-filtri kuni katte kõrguseni maasse kaevamise korral tuleb hoolitsetda selle eest, et filter paikneks horisontaalselt ja et see oleks mulla või liivaga hoolikalt tagasi täidetud.

- Paigaldage filtrikannu servale suur kummist rõngastihend. Seejuures tuleb tingimata jälgida, et kummist rõngastihend ei läheks paigaldamise ajal keerdu või serva peale. Ainult nii on võimalik tagada, et katet on võimalik korrektselt paigaldada ja et hiljem ei hakka filtri kahe osa vahelt vett lekkima.

Nõuanne. Niisutage kummist rõngastihendit vähesee veega ja paigaldage tihend seejärel veidi ülestõstetuna filtrimahuti ülaservale. Katte pealesurumise ajal veereb kummist rõngastihend sel juhul allapoole õgesse asendisse.

- Suruge kate filtrikorpusele õgesse asendisse ja lõpuks asetage pingutusrõngas üle filtrikorpuse ja katte serva ning sulgege filter.

- Filtri sisselaskeava (A): lõigake universaalne voolikunippel (must) lühemaks nii, et see sobib tiigivoolikule, ja keerake filtri sisselaskeavale kinni. Lõigake tiigivoolik vajalikul määral lühemaks, paigaldage pumbal ja filtri sisselaskeaval voolikuniplitele ning pingutage voolikuklambritega. Seadke pump tiigis kindlale pinnale, mis ei koosne mudast ja liivast. Pumba kasutuselevõtmiseks lugege kasutusjuhendit ja ohutusnõudeid ning andmeid minimaalse sukeldussügavuse kohta. Voolikuniplite ühendamisel kasutage asjakohaseid rõngatihendeid.

- Filtri väljalaskeava (J): lõigake läbiapistev universaalne voolikunippel lühemaks nii, et see sobib tiigivoolikule, ja keerake filtri väljalaskeavale kinni. Lõigake tiigivoolik vajalikul määral lühemaks, seejärel paigaldage voolikuots voolikuniplile ja pingutage voolikuklambriga. Teine voolikuots juhtige tagasi tiigini või veekogusse. Voolikuniplite ühendamisel kasutage asjakohaseid rõngatihendeid. Kui filtreeritud vesi juhitakse otse tiiki tagasi, peab vesi tiiki langema umbes 15–20 cm kõrguselt.

- Saastuse väljalaskeava (I): lõigake must universaalne voolikunippel lühemaks nii, et see sobib tiigivoolikule, ja keerake saastuse väljalaskeavale kinni. Lõigake tiigivoolik vajalikul määral lühemaks, seejärel paigaldage voolikuots voolikuniplile ja pingutage voolikuklambriga. Vooliku teine ots juhtige saastuse käitlemiseks ettenähtud kohta. Voolikuniplite ühendamisel kasutage asjakohaseid rõngatihendeid.

Märkus. Filtri kasutamise ajaks võib selle väljalaskeava katta ka korgiga. Selleks pange saastuse väljalaskeavale sulgekork (klaasist) ja keerake rõngaga kinni. Tõstke voolikunippel koos voolikuga hilisemaks puhastustööks üles.

- Enne survefiltri kasutuselevõtmist veenduge veelkord, et kõik kaabli- ja voolikuühendused paiknevad õigesti ja et filter on tihendiga hästi suletud. Funktsioonilüliti (B) tuleb lülitada filtrifunktsioonile.

- Alati tuleb esmalt sisse lülitada pump ja kontrollida, kas vesi voolab ühtlaselt läbi survefiltri ja ega filtril ja kruviühendustel ei ole ebatihedaid kohti. Alles seejärel lülitage UV-C-seade sisse.

- On tähtis, et survefilter oleks pidevalt kasutusel. Vaid hoolduse ajaks ja talveperioodiks tuleb filter täielikult välja vajutada. Bakterite tekkimise perioodi ajal (6–8 nädalat) on soovitatav hoida UV-C-seade veel väljalülitatuna.

- Survefiltri kasutuselt kõrvaldamisel (hoolduseks või talveperioodil) tuleb UV-C-seade alati esmalt välja lülitada. Alles seejärel lülitage pump välja ja laske vesi filtrist välja.
Märkus. BioPressure-survefilter on varustatud filtermati komplektiga, mille struktuuridel ladestuvad sellised saastuse osakesed, mis lenduvad osakesed, mis aitavad kaasa sellele, et u 6–8 nädala jooksul pärast filtri kasutuselevõtmist arenevad välja ja moodustuvad bakterikultuurid, mis on vajalikud nii mehaanilise kui ka bioloogilise filtreerimise jaoks. Andke seetõttu oma survefiltrile võimalus selle aja jooksul oma filtreerimisomadused täielikult välja arendada ilma, et see protsess kas osaliselt või täielikult katkeks.

Survefiltri Ubbink BioPressure II -3000/6000/10000/18000 kasutusjuhend



Hooldus ja puhastamine

TÄHELEPANU! **Enne mis tahes töö alustamist UVC-seadme ja pumba juures (esmakordne montaaž, puhastamine, UVC-lambi paigaldamine ja vahetamine jne) tuleb esmalt katkestada UVC-seadme ja pumba elektritoided!**

Saastuse väljalaskmine

BioPressure II töötab valdavalt hooldusvabalt. Sõltuvalt tiigivee määrdumisastmest võivad saastuse ladestused puhastustoimet siiski vähendada. Seetõttu tuleb umbes iga 2 nädala järel (sõltuvalt saastumisastmest) saastuse ladestused ära peata.

- Kui saastuse väljalaskeavale on paigaldatud sulgekork (klaasist), siis eemaldage see ja ühendage selleks must universaalne voolikunippel voolikuga.
- Pöörake funktsioonilüliti (B) asendisse „puhastusrežiim“, kuni on kuulda vaikne klõps. Vesi hakkab nüüd saastuse väljalaskeavast (I) välja voolama.
- Puhastusrežiimi ajal on võimalik funktsioonilüliti (B) allapoole suruda, et sel viisil filtrikäsnasid kergelt välja suruda ilma, et neid peaks seadmest välja võtma. Olge seejuures ettevaatlik! Liiga kiire ja jõuline surumine võib sisemist plastrõngast kahjustada.
- Kui filtrist voolab välja peaaegu puhas vesi, pöörake funktsioonilüliti tagasi asendisse „filtrirežiim“.
- Seejärel võib saastuse väljalaskeavale uuesti paigaldada (klaasist) sulgekorgi.

Märkus. Ärge peske/loputage filtrit täielikult puhtaks. See võib osaliselt või täielikult häirida filtris elunevaid bakterikultuure, mis pärsib puhastamise jõudlust kuni uute kultuuride tekkimiseni.

Filtrikäsnade puhastamine

Kui hoolimata saastuse väljalaskmisele tõuseb rõhk filtris endiselt, tuleb filtrikäsnad välja vahetada. Abivahendina kasutatakse katte pealisküülel olevat kontrollnäidikut (D). Normaalne rõhk Oranži värvi rõngas on all / ei ole näha.

Rõhk tõuseb Oranži värvi rõngas katab rohelist silindrit = puhastamine on vajalik.

- Lülitage esmalt alati välja integreeritud UV-C-seade ja seejärel pump.
- Eemaldage filtrit kõik voolikulitmikud.
- Avage ja eemaldage filtri kinnitusklamber (vt jooniseid 1, 2, 3).
- Tõstke kate üles ja asetage see pealispinnaga allapoole puhtale pinnale (vt joonist 4).
- Eemaldage ülemine filtripõhi. Selleks suruge esmalt plastrõngast kergelt alla ja seejärel pöörake veidi rõngast, kuni seda saab kergesti üles tõsta. Seejärel tõmmake filtrikäsnade esimene kiht ära ja eemaldage samal viisil ülejäänud filtripõhjad, filtrikäsnad ja torud (vt jooniseid 5, 6, 7, 8, 9, 10)).
- Peske filtrikäsnad kraaniveega hoolikalt puhtaks.
- Peske filtrikannu ja kaant aiavoolikust.
- Pange filtrikäsnad, filtripõhjad ja torud vastupidises järjekorras uuesti tagasi. Alustage suurest sinisest filtrikäsnad ja seejärel paigaldage vaheldumisi kollased ja sinised käsnad.
- Jälgige plastrõngaste ja filtrikäsnade pilusid, et filtrikäsnad liibuksid tihedasti üksteise vastu. Vaheruumid või serva peale pöördumised võivad kokkupanekut tunduvalt raskendada.
- Suruge kate filtrikorpusele õgesse asendisse ja lõpuks asetage pingutusrõngas üle filtrikorpuse ja katte serva ning sulgege filter (vt punkti Paigaldamine).

UV-C-lambi vahetamine

BioPressure-filtrisse integreeritud UV-C-seade on varustatud UV-C-lambiga, mille kasutamisaeg on umbes 8000 tütütundi. Pärast seda on UV-C-lambi võimsus vähenenud nii palju, et UV-C-lamp tuleb välja vahetada. UV-C-varulambi saate lähimast Ubbinki toodete müüjel spetsialiseerunud firmast. Kasutage ainult UV-C-lampi, mille tähistus ja võimsus langevad kokku tüübisildil esitatud andmetega.

UV-C-lambi vahetamiseks toimige alljärgneval viisil.

- Kruvige käepide külljst ära ja keerake lõpuks UV-C-kattest välja kruvid, mis on kinnitatud filtri külge (vt joonist 11).
- Võtke UV-C-kate ära, tõmmake UV-C-lamp ettevaatlikult soklist välja ja paigaldage ettevaatlikult UV-C-varulamp. (vt jooniseid 12, 13, 14)
- Pange UV-C-kate tagasi ja kruvige see ja käepide kinni (vt jooniseid 15, 16).

Tähelepanu! **UV-C-lampi ei tohi puudutada paljaste kätega! See võib lampi kahjustada.**

UV-C-kvartsklaasi puhastamine/vahetamine

UV-C-kvartsklaasi tuleb sõltuvalt tiigi vetikakasvust ja tiigivee määrdumisastmest vähemalt kolm korda aastas puhastada mustusest ja katalakivist.

- Lülitage esmalt alati välja integreeritud UV-C-seade ja seejärel pump.
- Hooldustöö lihtsustamiseks on soovitatav filter täielikult tühjendada.
- Eemaldage UV-C-kate nagu on kirjeldatud UV-C-lambi vahetamise juures.
- Võtke UV-C-lamp ära ja tõmmake seejärel UV-C-kvartsklaas ettevaatlikult korpusest välja. Kvartsklaas on korpusesse paigaldatud ja selle saab lihtsasti välja tõmmata. Kummirõngas takistab mahalibisemist.
- Puhastage UV-C-kvartsklaasi kraanivee ja pehme puhastuslapiga.
Tähelepanu! Vältige seejuures kvartsklaasi kriimustamist ja võimalusel ärge puudutage klaaskolbi otse kätega. UV-C-kiirguse toimel põlevad higi ja rasv klaaskolvi külge ja võivad vähendada UV-C-seadme võimsust.
- Loputage plastkorpust, milles asub UV-C-kvartsklaas, veega ja kuivatage enne kokkupanekut korpust.
- Enne UV-C-kvartsklaasi tagasipaigaldamist kuivatage seda hoolikalt.
- Paigaldage UV-C-lamp uuesti ja sulgege UV-C-sektsioon vastupidises järjekorras.
- Sel juhul lülitage esmalt alati sisse pump ja seejärel UV-C-seade.

Ladustamine / ületalve hoidmine

Pakase korral tuleb survefilter demonteerida ja ladustada külmumiskindlas ruumis. Eelnevalt tuleb filtrit põhjalikult puhastada ja veenduda, et seade pole kahjustatud.

EST Survefiltrī Ubbink BioPressure II -3000/6000/10000/18000 kasutusjuhend



Probleemid ja nende kõrvaldamine

Probleem	Võimalik põhjus	Lahendus
6–8 nädala pärast ei ole saavutatud veel positiivseid filtreerimistulemusi	Filter ei tööta 24 tundi päevas, vaid lülitatakse näiteks ööseks välja.	Laske filtril pidevalt töötada.
	Filtri materjali puhastati esimese 6–8 nädala jooksul.	Laske filtril esimese 6–8 nädala jooksul töötada ilma puhastamata.
	Tiigivesi on äärmiselt määrdunud.	Laske vesi välja ja eemaldage vetikad.
	Vee näitajad ei ole korras, pH-arv on näiteks liiga kõrge.	Testige regulaarselt vee näitajaid ja vajadusel korrigeerige neid.
	Tiigivee hapnikusisaldus on liiga väike.	Kasutage hapnikukadude tasandamiseks õhustuspumpa.
	Tiigis on liiga rohke elustik.	Suunis: maks. 50–70 cm pikkused kalad (üldpikkus) tiigi mahu 1000 liitri kohta
Filter või UV-C-kvartsklaas on määrdunud	UV-C-seade ei tööta	Puhastage vastavaid detaile. UVC-lamp on defektna ja tuleb välja vahetada. Kontrollige elektroodeid.
	Sisse-/väljalaskeavade kaudu ei toimu veevahetust	Lüliti on seatud asendisse „Puhastamine“. Sisselaskeava on ummistunud.

3

Garantii

Me anname Ubbink BioPressure filtrile 3-aastase garantii materjali- ja tootmisvigade jaoks. Garantii kehtib alates ostukuupäevast. Garantii kasutamise jaoks tuleb esitada ostu kinnitava tsheki original.

Lisaks anname me Ubbink BioPressure filtrile 12-kuulise selgeveegarantii puhta ja tervisliku vee jaoks. See garantii on kehtiv 12 kuud alates ostukuupäevast, tingimusel, et alates 6. nädalast BioPressure filtri kasutuselevõtmisest ei ole saavutatud veel mitte mingisuguseid nähtavaid tulemusi tiigivee filterdamisel, eriti mitte hõljuvate vetikate lagundamisel. Selge vee garantii toimimiseks eeldab Ubbink, et on järgitud kasutusjuhendit ja filtri kasutamiseks soovitava tiigi jaoks on valitud sobiv süsteem (BioPressure filter ja soovitatavad pumbad).

Garantii alla ei kuulu:

- klaasi purunemine, näiteks UV-C-lambi ja/või UV-C-seadme kvartsklaasi defekt.
- reklamatsioonidel, mis on tekkinud monteerimisel ja käsitsemisel tekkinud vigadest, puudulikust hooldusest, külmast tingitult, mitte asjatundlikust remondi katsetustest, üleliigse jõu kasutamisest, kõrvaliste isikute süüest, ülekoormusest või vöörihadest, samuti ka kulumise põhjusel tekkinud osade kahjustused.ä



Puhta vee garantii

Meie survefilter BioPressure II on kõrge kvaliteediga 11 W UV-C-seadme, spetsiaalse filtrimisüsteemi ja integreeritud saasteväljalaskega. See võimaldab teile anda puhta vee garantii, mis tagab puhta ja tervisliku vee!

Garantii kehtib alates seadme ostukuupäevast 12 kuud.

Puhta vee garantii kehtib, kui:

- järgitakse BioPressure'i seadme kasutusjuhendit ja filtreeritava tiigi jaoks on valitud sobiv süsteem (filter ja soovitatav pump).
- pärast kuudat nädalat pärast seadme kasutuselevõtmist ei ole tiigivee puhastamisel, eelkõige hõljuvate vetikate kasvu vähendamisel veel edu saavutatud (roheline vesi).

Võimalike tekkivate probleemide korral pöörduge spetsialiseeritud müüjettevõtte poole.



Keskonnakaitse

Vanu elektriseadmeid ei tohi kõrvaldada koos olmejäätmetega. Palun viige ana seade lähimasse kogumispunkti. Täiendavat teavet saate turustajalt või jäätmekäitlusettevõttelt.

LV Ubbink BioPressure II -3000/6000/10000/18000 lietošanas instrukcija



Cienījamie klienti!

Apsveicam! Jūs esat iegādājies ražojumu no augstvērtīgo Ubbink BioBalance diĶa filtru sērijas.

Lietošanas instrukcija Jums sniegs svarīgu informāciju, kas būs noderīga Jūsu iegādātā BioPressure spiedienfiltra montāžai, ievadei ekspluatācijā, kā arī kopšanai. Pirms filtra uzstādīšanas rūpīgi izlasiet lietošanas instrukciju un iepazīstieties ar ierīci. Obligāti ievērojiet drošības norādījumus, lai nodrošinātu pareizu un drošu ierīces lietošanu. Glabājiet rūpīgi šo lietošanas instrukciju!

Piegādes komplekts

- 1 spiedienfiltrs BioPressure II ar iebūvētu UVC ierīci
- 1 universālā šļūtenes iemava 40-32-25-19 mm, caurspīdīga
- 2 universālās šļūtenes iemavas 40-32-25-19 mm, melnas
- 3 blīvģredzeni 1 ½"
- 1 vītņģredzens ar pārsēģu (stikls)
- 1 lietošanas instrukcija

Tehniskie dati

BioPressure II	3000	6000	10000	18000
Artikula Nr.	1355408	1355409	1355410	1355413
Filtra tilpums	10 Litri	10 Litri	15 Litri	25 Litri
Filtrācijas vide	Speciāls vairākstāvu filtrācijas materiāls	Speciāls vairākstāvu filtrācijas materiāls	Speciāls vairākstāvu filtrācijas materiāls	Speciāls vairākstāvu filtrācijas materiāls
Spiediena slodze	max. 0,49 bar	max. 0,49 bar	max. 0,49 bar	max. 0,49 bar
UVC starotājs	PL-S 5 W	PL-S 9 W	PL-S 11 W	PL-L 18 W
Strāvas spriegums/frekvence	230 VAC / 50 Hz	230 VAC / 50 Hz	230 VAC / 50 Hz	230 VAC / 50 Hz
Kabeļa garums	4,5 m	4,5 m	4,5 m	4,5 m
UVC jauda pēc apm. 5 000 st.	85%	85%	85%	85%
UVC rezerves kvarca stikla artikula Nr.	1358765	1358766	1358730	1358767
UVC rezerves lampas artikula Nr.	1355109	1355110	1355112	1355115
maks. diĶa tilpums	3.000 Litri	6.000 Litri	10.000 Litri	18.000 Litri

Simboli un iestatīšanas iespējas



Ūdens ieplūde no sūkņa uz filtru



Ūdens izplūde no filtra diĶi



Ūdens izplūde tīrīšanas režīmā



Funkciju slēdzis „Filtrācijas režīms“



Funkciju slēdzis „Tīrīšanas režīms“



Drošības norādījumi

BRĪDINĀJUMS: UV stari ir bīstami acim un ādai. UVC starotāju nedrīkst lietot, ja tas ir izņemts no ierīces korpusa!

UZMANĪBU: šī ierīce satur UVC starotāju! Ierīces nejaušas lietošanas vai korpusa bojājuma rezultātā iespējama bīstamā UVC starojuma izdalīšanās. UVC starojums pat nelielās devās var izraisīt acu un ādas bojājumus.

- Strāvas padeves spriegumam jāatbilst produkta specifikācijai. Nepieslēdziet UVC ierīci, ja strāvas spriegums neatbilst specifikētajiem noteikumiem! Plašāku informāciju varat iegūt pie sava vietējā sertificētā elektrotehniķa.
- UVC ierīces elektriskajā ķēdē jābūt ietvertam slēdzim aizsardzībai pret noplūdes strāvu (FI vai RCD slēdzim) ar nominālo noplūdes strāvu maks. 30 mA.
- Pirms jebkādu darbu veikšanas (uzstādīšanas, apkopes utt.) UVC ierīce jāatvieno no elektriskās strāvas!
- Spiedienfiltru kopā ar UVC ierīci nekādā gadījumā nedrīkst lietot zem ūdens, tāpēc tas jāuzstāda blakus diĶim, lai būtu izslēgta ierīces pārpludināšana.
- Spiedienfiltrs jāuzstāda vairāk nekā 2 m attālumā, bet strāvas pieslēgums jāizveido vairāk nekā 3,5 m attālumā no dārza diĶa vai ūdens baseina.
- Nav atļauts atvērt UVC ierīci vai tās daļas, ja vien tas nav nepārprotami norādīts šajā lietošanas instrukcijā. Tas attiecas arī uz tehnisko izmaiņu veikšanai ierīcei.
- UVC ierīce ir aprīkota ar aizsardzības slēdži, kas, atverot ierīci, automātiski pārtrauc strāvas padevi.
- Strāvas kontaktdāksai un visām pieslēgumu vietām vienmēr jābūt sausām. UVC ierīces pieslēguma vads jāizvieto tā, lai tas būtu aizsargāts pret iespējamajiem bojājumiem.
- Spiedienfiltra ekspluatāciju drīkst uzsākt tikai pēc tam, kad pilnībā pabeigta visu ierīces komponentu un šļūtenes pieslēgumu uzstādīšana.

Ubbink BioPressure II -3000/6000/10000/18000 lietošanas instrukcija



Problēmas un risinājumi:

Problēma	Iespējamais cēlonis	Risinājums
Pēc 6 līdz 8 nedēļām vēl nav redzams pozitīvs filtrācijas rezultāts.	Filtrs nedarbojas 24 h diennakti, resp., naktīs tas tiek izslēgts.	Ļaujiet filtram darboties nepārtraukti.
	Filtrācijas materiāli pirmo 6-8 nedēļu laikā ir tikuši tīrti.	Ļaujiet filtram pirmās 6-8 nedēļas darboties bez tīrīšanas.
	Diķa ūdens ir ārkārtīgi netīrs.	Nomainiet ūdeni un likvidējiet atļģes.
	Ūdens vērtības nav atbilstošas, piem., pārāk augsts pH līmenis.	Regulāri pārbaudiet ūdens vērtības un nepiec. gadījumā veiciet korekcijas.
	Diķa ūdeni ir pārāk zems skābekļa saturs.	Pielietojiet aerācijas sūkni, lai kompensētu skābekļa zudumu.
	Diķa ūdeni atrodas pārāk daudz dzīvo būtnē.	Robežvērtība: maks. 50-70 cm zivju (kopējais garums) uz 1000 litriem diķa tilpuma.
Filtrs vai UVC kvarca stikls kļuvis netīrs.	Notīriet attiecīgās daļas.	
	UVC lampa, iespējams, ir bojāta un ir jānomaina.	
UVC ierīce nedarbojas.	Pārbaudiet pieslēgumu elektriskās strāvas tīklam.	
Ieplūdes/izplūdes vietās nenotiek ūdens apmaiņa.	Slēdzis atrodas pozīcijā „Tīrīšana”.	Pārvietojiet slēdzi pozīcijā „Filtrēšana”.
	Nosprostojusies ieplūde.	Iztīriet.

3

Garantija

Ubbink BioPressure filtriem tiek nodrošināta 3 gadu garantija attiecībā uz materiālu un ražošanas defektiem, garantijas termiņš sākas līdz ar pirkuma noformēšanas brīdi. Garantijas prasībai kā pirkuma pierādījums jāuzrāda oriģināldokuments.

Papildus šai garantijai Ubbink BioPressure filtriem tiek sniegta 12 mēnešu tira ūdens garantija par tira un dabiska ūdens nodrošināšanu. Šī garantija ir spēkā 12 mēnešu no pirkuma brīža ar nosacījumu, ka, sākot no 6. nedēļas pēc BioPressure filtru ekspluatācijas sākuma, vēl nav iespējami pierādāmi diķa ūdens filtrēšanas rezultāti, it īpaši attiecībā uz peldošajām atļģēm. Lai varētu pieprasīt garantiju attiecībā uz ūdens tīrību, Ubbink nosaka, ka ir jāievēro lietošanas instrukcija un filtrējamajam diķim jāizvēlas piemērota sistēma (BioPressure filtrs un ieteiktie sūkņi).

Garantijas labošanā netiek iekļauti:

- stikla plīsumi, t.i., UV-C lampas un/vai UV –C ierīces kvarca stikla defekts;
- ir ievērota BioPressure lietošanas instrukcija un izvēlēta sistēma (filtrs un ieteicamais sūknis), kas atbilst filtrējamā diķa vajadzībām;
- sākot ar sesto nedēļu no lietošanas sākuma nenoliedzami vēl nav sasniegti diķa ūdens filtrācijas rezultāti, īpaši attiecībā uz peldošo atļģu (zaļš ūdens) noārdīšanu.



Tira ūdens garantija

Mūsu spiedienu filtrs BioPressure II ir aprīkots ar augstvērtīgu 11 vatu UVC ierīci, speciālu filtrācijas audumu sistēmu, kā arī ar iebūvētu netīrā ūdens izplūdes vietu. Tas jums ļauj sniegt Jums tira ūdens garantiju, nodrošinot tīru un veselīgu ūdeni!

Šī garantija ir spēkā 12 mēnešus no pirkuma datuma.

Lai varētu izvirzīt pretenzijas tira ūdens garantijas sakarā, mēs kā priekšnoteikumu izvirzām, ka

- ir ievērota BioPressure lietošanas instrukcija un izvēlēta sistēma (filtrs un ieteicamais sūknis), kas atbilst filtrējamā diķa vajadzībām;
- sākot ar sesto nedēļu no lietošanas sākuma nenoliedzami vēl nav sasniegti diķa ūdens filtrācijas rezultāti, īpaši attiecībā uz peldošo atļģu (zaļš ūdens) noārdīšanu.

Iespējamo problēmu gadījumā konsultējieties ar savu specializētās tirdzniecības pārstāvi.



Gamtos apsauga

Seni elektros prietaisi negali būti išmesti į buitines atliekas. Senus elektros prietaisus prašome perduoti vietiniams surinkėjams. Visą kitą informaciją Jums suteiks Jūsų pardavėjas arba atliekų surinkimo įmonės.

Ubbink BioPressure II -3000/6000/10000/18000 naudojimo instrukcija



Gerbiamas pirkėjas,

sveikiname įsigijus produktą iš itin kokybiškos „Ubbink BioBalance“ tvenkinių filtrų serijos. Šioje naudojimo instrukcijoje rasite svarbios informacijos, naudingos montuojant, eksploatuojant ir prižiūrint „BioPressure“ slėginį filtrą. Prieš įrengiant filtrą įdėmiai perskaitykite šią naudojimo instrukciją ir susipažinkite su prietaiso naudojimu. Būtinai laikykitės saugos nurodymų, kad naudojimas būtų teisingas ir saugus. kruopščiai saugokite šią naudojimo instrukciją!

Pristatymo apimtis

- 1 slėginis filtras „BioPressure II“ su integruotu UV-C prietaisu
- 1 universalus žarnos antgalis 40-32-25-19 mm, permatomas
- 2 universalūs žarnos antgaliai 40-32-25-19 mm, juodi
- 3 sandarikliai 1 ½”
- 1 srieginis žiedas su dangteliu (stikliniu)
- 1 naudojimo instrukcija

Techiniai duomenys

BioPressure II	3000	6000	10000	18000
Prekės Nr.	1355408	1355409	1355410	1355413
Filtro talpa	10 Litrų	10 Litrų	15 Litrų	25 Litrų
Filtro terpė	Specialus kelių aukštų filtruojantis kilimėlis	Specialus kelių aukštų filtruojantis kilimėlis	Specialus kelių aukštų filtruojantis kilimėlis	Specialus kelių aukštų filtruojantis kilimėlis
Slėgis	daug. 0,49 barai	daug. 0,49 barai	daug. 0,49 barai	daug. 0,49 barai
UV-C jungiklis	PL-S 5 W	PL-S 9 W	PL-S 11 W	PL-L 18 W
Įtampa / dažnis	230 V kintamos srovės / 50 Hz	230 V kintamos srovės / 50 Hz	230 V kintamos srovės / 50 Hz	230 V kintamos srovės / 50 Hz
Kabelio ilgis	4,5 m	4,5 m	4,5 m	4,5 m
UV-C pajėgumas po maždaug 5 000 val.	85%	85%	85%	85%
Keičiamo UV-C kvarcinio stiklo prekės Nr.	1358765	1358766	1358730	1358767
Keičiamos UV-C lemputės prekės Nr.	1355109	1355110	1355112	1355115
Didž. tvenkinio tūris	3.000 Litrų	6.000 Litrų	10.000 Litrų	18.000 Litrų

Simboliai ir reguliavimo galimybės



Vandens įleidimas iš siurblio į filtrą



Vandens išleidimas iš filtro į tvenkinį



Vandens išleidimas valymo režime



Funkcinis jungiklis „Filtravimo režimas“



Funkcinis jungiklis „Valymo režimas“



Saugos nurodymai

ĮSPĖJIMAS: UV spinduliai yra pavojingi akims ir odai. Negalima naudoti UV-C lemos, jei ji išimta iš prietaiso korpuso!

DĖMESIO: Šiame prietaise yra UV-C lempa! Neatsargus prietaiso naudojimas arba korpuso pažeidimas gali sąlygoti pavojingų UV-C spindulių prasiskverbimą. UV-C spinduliai, net ir nedideliais kiekiais, gali pakenkti akims ir odai.

- Elektros įtampa turi atitikti produkto specifikacijoje nurodytąją. Nejunkite UV-C prietaiso, jei elektros įtampa neatitinka specifinių nurodymų! Daugiau informacijos galite gauti iš pripažintos vietinės elektros instaliacijos įmonės.
- UV-C prietaiso elektros grandinė apsaugančia įranga turi būti apsaugota nuo elektros įtampos nuotėkio (FI arba RCD), matuojant daug. 30 mA elektros įtampos nuotėkį.
- Prieš atliekant bet kuriuos darbus (instaliuojant, atliekant techninę priežiūrą ir pan.) UV-C prietaisą reikia atjungti nuo elektros tinklo!
- Slėginio filtro, įsk. UV-C prietaisą, jokiu būdu negalima naudoti po vandeniui, bet jį reikia instaliuoti šalia tvenkinio, kur jo nebūtų neįmanoma apsemti.
- Slėginį filtrą reikia instaliuoti didesniu kaip 2 m atstumu nuo tvenkinio ar baseino, o elektra turi būti jungiama didesniu kaip 3,5 m atstumu.
- Neleidžiama atidarinėti UV-C prietaiso ar jo dalių, jei apie tai aiškiai nėra įvardinta naudojimo instrukcijoje. Tai taikoma ir techniniams prietaiso pakeitimams.
- UV-C prietaisas turi apsauginį jungiklį, kuris, atidarant prietaisą, automatiškai nutraukia elektros tiekimą.

Ubbink BioPressure II -3000/6000/10000/18000 naudojimo instrukcija

- Tinklo kištukas ir visos sujungimo vietos turi būti sausas. UV-C prietaiso prijungiamasis kabelis turi būti klojamas saugiai, kad būtų išvengta galimų pažeidimų.
- Slėginį filtrą galima naudoti tik instaliavus visus komponentus ir žarnas.
- Įsitikinkite, kad prietaisas išjungtas, kai juo neteka vanduo.
- Slėginį filtrą galima naudoti tik esant nuo +5 °C iki +35 °C vandens temperatūrai.
- UV-C prietaiso negalima naudoti esant akivaizdžių jo pažeidimų!
- Pakeist UV-C prietaiso tinklo kabelį galimybės nėra. Pažeidus kabelį, UV-C prietaisą reikia tinkamai utilizuoti.
- Slėginio filtro negali naudoti asmenys (įskaitant vaikus), turintys silpnesnių fizinių, jutiminių ar psichinių gebėjimų arba jei jiems trūksta patirties ir žinių, net jei jie prižiūrimi už jų saugą atsitinkų asmenų arba jei jie buvo instrukuoti kaip naudotis prietaisu. Vaikus būtina prižiūrėti, siekiant užtikrinti, jog jie prietaisu nežaidžia.

Naudojimas

„BioPressure II“ – tai mechanišškai ir biologišškai veikiantis slėginis filtras su integruotu UV-C prietaisu, skirtu statyti šalia tvenkinio tiek aukščiau vandens paviršiaus, tiek žemiau vandens paviršiaus. Filtruotą tvenkinio vandenį slėginiu filtru galima pumpuoti taip pat ir į aukščiau esančius vandens krioklius. Tam, kad UV-C spinduliavimas sąlygotų regimą rezultatą, tvenkinio vanduo bent kartą per 2 valandas (tvenkinyje su žuvimis) arba 4 valandas (tvenkinyje be žuvų) turėtų pilnai praėti vieną cirkuliacinį ciklą.



Įrengimas

DĖMESIO! Prieš atliekant bet kuriuos darbus (pirmąjį montavimą, valymą, UVC lempos įstatymą ar keitimą ir t. t.), visuomet nuo UVC prietaiso ir siurblio reikėtų atjungti elektros tiekimą!

- Nustatykite „BioPressure“ filtro stovėjimo vietą (atsižvelkite į saugos nurodymus). Filtrą galima montuoti tiek virš žemės, tiek po žeme. Įkasant „BioPressure“ filtrą iki dangčio aukščio, reikia pasirūpinti, kad filtras stovėtų horizontaliai ir būtų gerai užpildtas žemėmis ar smėliu.

- Į filtro indo briauną įdėkite didįjį guminį sandarinimo žiedą. Tai darant patikrinkite, kad guminis sandarinimo žiedas nepersisuktų. Tik taip galite užtikrinti, kad dangtis bus uždėtas tinkamai ir vėliau tarp abiejų filtro dalių nesiskverbs vanduo.

Patarimas: nedideliu kiekiu vandens sudrėkinkite guminį sandarinimo žiedą ir kiek aukščiau padėkite ant viršutinės filtro rezervuaro briaunos. Užspaudžiant dangtį, guminis sandarinimo žiedas nusiridena žemyn į jam reikalingą padėtį.

- Užspauskite dangtį ant filtro rezervuaro ir, galiausiai, virš filtro korpuso ir dangčio briaunos uždėkite įtempimo žiedą, o filtrą uždarykite.

- Vandens įleidimas į filtrą (A): patrumpindami universalųjį žarnos antgalį (juodą) ir priderindami jį tvenkinio žarnai, prisukite prie vandens įleidimo į filtrą vietos. Iki reikiamo ilgio patrumpinkite tvenkinio žarną, užmaukite ant siurblio ir filtro vandens įleidimo vietą ir pritvirtinkite žarnai skirtais gnybtais. Pastatykite siurblių tvenkinyje ant tvirto pagrindo, ant kurio nebūtų nei smėlio, nei dumblo. Prieš pradėdami naudotis siurbliu, perskaitykite naudojimo instrukciją ir saugos nurodymus, o taip pat atsižvelkite į minimalius panardinimo nurodymus. Prijungdami žarnos antgalį naudokite atitinkamus sandarinimo žiedus.

- Vandens išleidimas iš filtro (I): patrumpinkite permatomą universalųjį žarnos antgalį, priderindami jį prie tvenkinio žarnos, ir prisukite prie vandens išleidimo iš filtro vietos. Iki reikiamo ilgio patrumpinkite tvenkinio žarną, tuomet žarnos galą užmaukite ant žarnos antgalio ir pritvirtinkite žarnai skirtais gnybtais. Kitą žarnos galą nutieskite atgal iki tvenkinio arba vandens krioklio. Prijungdami žarnos antgalį naudokite atitinkamą sandarinimo žiedą. Jei filtruotas vanduo bus grąžinamas tiesiai į tvenkinį, jis turėtų įtekėti iš maždaug 15–20 cm aukščio.

- Purvo išleidimas (I): patrumpinkite juodą universalųjį žarnos antgalį, priderindami jį prie tvenkinio žarnos, ir prisukite prie purvo išleidimo vietos. Iki reikiamo ilgio patrumpinkite tvenkinio žarną, tuomet vieną žarnos galą užmaukite ant žarnos antgalio ir pritvirtinkite žarnai skirtais gnybtais. Kitą žarnos galą tieskite iki tos vietos, kurioje turi būti išleidžiamas nešvarus vanduo. Prijungdami žarnos antgalį naudokite atitinkamą sandarinimo žiedą.

Nurodymas: filtravimo metu šį išleidimo galą galite uždaryti dangteliu. Norėdami tai padaryti, dangtelį (stiklinį) uždėkite ant purvo išleidimo galo ir prisukite žiedu. Žarnos antgalį su žarna pasilikite vėlesniam naudojimui „Valymo režime“.

- Prieš pradėdami naudoti slėginį filtrą dar kartą įsitikinkite, kad visos kabelių jungtys ir žarnų sujungimo vietos būtų sandarios, o filtras su sandarikliu būtų patikimai užsuktas. Funkcinis jungiklis (B) turi būti perjungtas į „Filtravimo funkciją“.

- Visuomet iš pradžių įjunkite siurblių ir patikrinkite, kad vanduo tolygiai tekėtų per slėginį filtrą, o pačiame filtre ir žarnos jungtyse nebūtų nesandarių vietų. Tik tuomet junkite UV-C prietaisą.

- Svarbu, kad Jūsų slėginis filtras veiktų nepertraukiamai. Tačiau techninės priežiūros ir žiemos metu filtrą reikėtų pilnai išjungti. Bakterijų vystymosi metu (6–8 savaites) rekomenduojame UV-C prietaisą vis dar laikyti išjungtą.

- Jei filtrus išjungiamas (techninės priežiūros ir žiemos metu), visų pirma reikia išjungti UV-C prietaisą. Tik tuomet išjunkite siurblių ir iš filtro išleiskite vandenį. **Nurodymas:** šis „BioPressure“ slėginis filtras turi filtravimo kilimėlių komplektą, ant kurių kaupiasi purvo dalelės ir gali nusėsti didelio efektyvumo dalelės, kurios prisideda prie to, kad per maždaug 6–8 savaites nuo filtro eksploatacijos pradžios pradeda formuotis ir vystytis bakterijos, kurios reikalingos tiek mechaniniam, tiek biologiniam filtravimui. Todėl leiskite savo slėginiam filtrui šiuo metu pilnai suformuoti jo filtravimo savybes, dalinai arba pilnai nepertraukiant šio proceso.

Ubbink BioPressure II -3000/6000/10000/18000 naudojimo instrukcija



Priežiūra ir valymas

DĖMESIO! Prieš atliekant bet kuriuos darbus (pirmąjį montavimą, valymą, UVC lempos įstatymą ir keitimą ir t. t.), visuomet nuo UVC prietaiso ir siurblio reikėtų atjungti elektros tiekimą!

Purvo išleidimas

„BioPressure II“ didžiąja dalimi veikia be papildomos techninės priežiūros. Vis dėlto, priklausomai nuo tvenkinio vandens užsiteršimo lygio, purvo nuosėdos gali sumažinti valymo efektyvumą. Todėl, priklausomai nuo užsiteršimo lygio, kas dvi savaites reikia išplauti susikaupusius nešvarumus.

- Jei prie purvo išleidimo vietos prisuktas dangtelis (stiklinis), atsukite jį ir uždenkite juodu universaliu žarnos antgaliu su žarna.
- Funkcinį jungiklį (B) pasukite į padėtį „Valymo režimas“, kol pasigirs tylus spragtelėjimas. Iš skylės nešvarumams išleisti (I) pradės tekėti vanduo.
- „Valymo režimo“ metu atsiranda galimybė paspausti funkcinį jungiklį (B), kad tokiu būdu galima būtų nestipriai išspausti filtravimo kempines, neišimant jų iš prietaiso. Tai darydami būkite atidūs! Per greitai ir per stipriai spaudžiant, gali lužti vidinis plastmasinis žiedas.
- Jei iš filtro išbėga beveik skaidrus vanduo, grąžinkite funkcinį jungiklį į padėtį „Filtravimo režimas“.
- Dabar purvo išleidimo vietą ir vėl galite užsukti dangteliu (stikliniu).

Nurodymas: plaunant / skalaujant filtrą, nelieka nuosėdų. Išvešėjusios bakterijų kultūros tokiu būdu dalinai arba pilnai suardomos, todėl valymo pajėgumui įtaka daroma tol, kol pradeda vešėti naujos kultūros.

Filtravimo kempinių valymas

Jei nepaisant purvo išleidimo slėgis filtre vis dar didėja, reikia išplauti filtravimo kempines. Šiuo atveju padės prie viršutinės dangtelio pusės esantis kontrolinis rodmuo (D). Normalus slėgis Oranžinės spalvos žiedas apačioje / jo nesimato.

Slėgis auga Oranžinės spalvos žiedas dengia žalią cilindrą = valymas sėkmingas.

- Visuomet iš pradžių išjunkite integruotą UV-C prietaisą, o tik po to – siurblių.
- Pašalinkite visas prie filtro esančias jungtis.
- Atverkite ir išimkite filtro uždarymo lankstą (žr. 1, 2, 3 pav.).
- Nuimkite dangtelį ir padėkite ant svaraus paviršiaus, viršutinę pusę nukreipę žemyn (žr. 4 pav.).
- Nestipriai spausdami žemyn plastmasinį žiedą išimkite viršutinį filtro dugną, tuomet truputį pasukite, kol galėsite į jį šiek tiek kilstelelį į viršų. Dabar ištraukite pirmąjį filtravimo kempinių sluoksnį ir tuo pat būdu išimkite visus kitus filtro dugnus, filtravimo kempines ir vamzdžius (žr. 5, 6, 7, 8, 9, 10 pav.).
- Paspauskite ir po tekančiu vandeniu gerai išplaukite filtravimo kempines.
- Sodo žarna išskalaukite filtravimo puodą ir dangtį.
- Atvirkštinė seka sudėkite į vietas filtravimo kempines, filtro dugnus ir vamzdžius. Pradėkite didelę miėlyna filtravimo kempine, tuomet pakaitomis geltona ir mėlyna.
- Atsižvelkite į plastmasiniuose žieduose ir filtravimo kempinėse esančius griovelius, kad filtravimo kempinės neguletų viena prie kitos. Tarpai ar užsilenkimai gali apsunkinti surinkimą.
- Užspauskite dangtį ant filtro korpuso ir, galiausiai, virš filtro korpuso ir dangčio briaunos uždėkite įtempimo žiedą, o filtrą uždarykite (žr. instaliavimo nurodymus).

UV-C lempos keitimas

„BioPressure“ filtrą integruotas UV-C prietaisas turi UV-C lempą, kurios tarnavimo laikas yra apie 8 000 eksploatacijos valandų. Praėjus šiam laikui UV-C galia sumažėja tiek, kad UV-C lempą reikia keisti. Reikalingą pakaitinę UV-C lempą galima įsigyti „Ubbink“ prekybos vietoje. Naudokite tik tokią UV-C lempą, kurios žymėjimas ir galingumas sutampa su duomenimis skydelyje.

UV-C lempa keičiama tokiu būdu:

- Išsukite rankeną. Iš UV-C dangčio, pritvirtinto prie filtro, išsukite varžtus (žr. 11 pav.).
- Nukelkite UV-C dangtį, iš rėmelio atsargiai ištraukite UV-C lempą ir atsargiai įstatykite pakaitinę UV-C lempą (žr. 12, 13, 14 pav.).
- Uždėkite UV-C dangtį ir tvirtai prisukite (žr. 15, 16 pav.).

Dėmesio: nelieskite UV-C lempos plikomis rankomis!! Taip galite ją sugadinti.

UV-C kvarcinio stiklo valymas / keitimas

UV-C kvarcinį stiklą du–tris kartus per metus reikia valyti nuo purvo ir kalkių nuosėdų, priklausomai nuo dumblių augimo tvenkinyje bei tvenkinio vandens užsiteršimo lygio.

- Visuomet iš pradžių išjunkite integruotą UV-C prietaisą, o tik po to – siurblių.
- Tam, kad priežiūros darbai būtų paprastesni, rekomenduojame reguliariai ištuštinti filtrą.
- Nuimkite UV-C dangtį, kaip ir aprašyta keičiant UV-C lempą.
- Išimkite UV-C lempą ir iš korpuso atsargiai ištraukite UV-C kvarcinį stiklą. Jis yra tiesiog įkištas, todėl jį paprasta ištraukti. Guminis žiedas mažina slydimą.
- UV-C kvarcinį stiklą valykite vandentiekio vandeniu ir minkštu skudurėliu. **Dėmesio!** Venkite įbrėžimų ant kvarcinio stiklo ir stenkitės plikomis rankomis neliesiti stiklinės kolbos. UV-C spinduliavimo metu į stiklinę kolbą įdėga ant jos esantis prakaitas ir riebalai, o tai gali sumažinti UV-C prietaiso pajėgumą.
- Išskalaukite vandeniu plastmasinį korpusą, kuriame įkištas UV-C kvarcinis stiklas ir prieš surinkdami korpusą, jį išdžiovinkite.
- Prieš įstatydami UV-C kvarcinį stiklą, kruopščiai jį išdžiovinkite.
- Įstatykite UV-C lempą ir atvirkštine seka vėl uždarykite UV-C sekciją.
- Tuomet iš pradžių įjunkite siurblių, o po to – UV-C prietaisą.

Sandėliavimas ir sandėliavimas žiemos metu

Esant šalnai, slėginį filtrą reikia išmontuoti ir padėti nešalčioje vietoje. Tačiau prieš tai reikėtų dar atlikti kruopštų jo valymą ir patikrinti ar prietaise nėra pažeidimų.

Ubbink BioPressure II -3000/6000/10000/18000 naudojimo instrukcija



Problemos ir sprendimai:

Problema	Galima priežastis	Sprendimas
Po 6–8 savaitių nepasireiškė jokie teigiami filtravimo rezultatai.	Filteras neveikia kasdien po 24 val., pvz., nakčiai jis išjungiamas.	Leiskite filterui veikti nepertraukiamai.
	Per pirmąsias 6–8 savaites buvo valyta filtro terpė.	Leiskite filterui pirmąsias 6–8 savaites veikti jo nevalant.
	Tvenkinio vanduo ypačingai užterštas.	Pakeiskite vandenį ir pašalinkite dumblius.
	Netinkamos vandens vertės, pvz., per didelė pH vertė.	Reguliariai tikrinkite vandens vertę ir, jeigu reikia, koreguokite.
	Tvenkinio vandenyje per žemas deguonies lygis.	Panaudokite vėdinimo siurblį, kad susilygintų deguonies praradimas.
	Tvenkinyje per daug gyvų organizmų.	Rekomenduojama: daug. 50–70 cm žuvų (bendras ilgis) 1 000 litrų talpos tvenkinyje.
Per įvestis ir išvestis nevyksta vandens pasikeitimas.	Nešvarus filteras arba UV-C kvarcinis stiklas.	Išvalykite kiekvieną dalį.
	Neveikia UV-C prietaisas.	Perdegti UV-C lempa ir ją reikia pakeisti. Patikrinkite jungtį su el. tinklu.
	Nustatykite jungiklį į padėtį „Valyti“.	Nustatykite jungiklį į padėtį „Filtruoti“.
	Užsikimšo padavimo anga.	Išvalykite.

3

Garantija

„Ubbink“, „BioPressure“ filtrams taikoma trejų metų garantija dėl defektų ir klaidų, skaičiuojant nuo pardavimo datos. Norint naudotis garantija, turi būti pateikiamas originalus pirkimo įrodymo dokumentas.

Papildomai „Ubbink“, „BioPressure“ filterui mes suteikiame 12 mėnesių švaraus vandens garantiją, užtikrinančią švarų ir sveiką vandenį. Ši garantija galioja 12 mėnesių nuo pirkimo datos esant sąlygai, kad praėjus 6 mėnesiams po „BioPressure“ filterų eksploatavimo nepasiekta ženklus tvenkinio vandens pagerejimo, ypač suardant dumblius. Noredami atitikti vandens valymo garantijos sąlygas „Ubbink“ nustato, kad vadovaujantis eksploatacija reiktų atkreipti dėmesį į tinkamos sistemos („BioPressure“ filtro ir rekomenduojamo siurblio), skirtos tvenkinio valymui, pasirinkimą.

Garantija netaikoma:

- Sudužus stiklui ir dėl to sugedus UV-C lempai ir/ar UV-C prietaiso kvarciniam stiklui.
- Esant pažeidimams, atsiradusiems dėl montavimo bei valdymo klaidų, nepakankamos priežiūros, šalčio įtakos, nesėkmingų bandymų remontuoti, dėl jėgos panaudojimo, dėl per ilgą naudojimo, perkrovo arba svetimkūnių, o taip pat dėl visų dalių pažeidimų.



Skaidraus vandens garantija

Mūsų slėginis filteras „BioPressure II“ turi itin kokybišką 11 W UV-C prietaisą, specialią filtravimo kilimėlių sistemą bei integruotą nešvaraus vandens išleidimo sistemą. Todėl galime suteikti Jums skaidraus vandens garantiją, kuria užtikrinamas švarus ir sveikas vanduo!

Ši garantija galioja 12 mėnesių nuo pirkimo dienos.

Naudojantis skaidraus vandens garantija įspėjame, kad:

- būtų paisoma „BioPressure“ naudojimo instrukcijos ir filtruojamam tvenkiniui būtų parinkta tinkama sistema (filteras ir rekomenduojamas siurblis);
- nuo šeštos eksploatacijos savaitės dar nebus pasiektas akivaizdus tvenkinio vandens filtravimo rezultatas, ypačingai ardančios plūdūriuojančius dumblius (žalią vandenį).

Iškilus problemų kreipkitės į pardavėją.



Vides aizsardzība

Nolietotās elektroierīces nedrīkst nodot savākšanai kopā ar mājsaimecības atkritumiem. Lūdzu, nododiet nolietoto ierīci vietējā savākšanas punktā. Lai saņemtu sīkāku informāciju, griezties pie tirgotāja vai atkritumu savākšanas uzņēmuma.

Упътване за употреба Ubbink BioPressure II -3000/6000/10000/18000



Уважаеми клиенти,

честитим Ви закупуването на продукт от серията високачествени филтри за езера Ubbink BioBalance. С упътването за употреба получавате важна информация, която е полезна за монтажа, пускането в експлоатация и поддръжката на Вашия филтър под налягане BioPressure. Прочетете внимателно упътването за употреба преди пускането на филтъра в експлоатация и се запознайте с уреда. Задължително спазвайте инструкциите за безопасност за правилна и безопасна употреба. Съхранявайте грижливо упътването за употреба!

Обем на доставка

- 1 филтър под налягане BioPressure II с вграден UV-C уред
- 1 универсален накрайник за маркуч 40-32-25-19mm, прозрачен
- 2 универсален накрайник за маркуч 40-32-25-19mm, черен
- 3 уплътняващи пръстени 1 ½"
- 1 завинтващ се пръстен с капачка (стъкло)
- 1 упътване за употреба

Технически данни

BioPressure II	3000	6000	10000	18000
Артикулен №	1355408	1355409	1355410	1355413
Вместимост на филтъра	10 Литра	10 Литра	15 Литра	25 Литра
Филтър материал	специален филтърен пълнеж на етажи	специален филтърен пълнеж на етажи	специален филтърен пълнеж на етажи	специален филтърен пълнеж на етажи
Натоварване с налягане	макс. 0,49 bar	макс. 0,49 bar	макс. 0,49 bar	макс. 0,49 bar
UV-C-излъчвател	PL-S 5 W	PL-S 9 W	PL-S 11 W	PL-L 18 W
Мрежово напрежение / честота	230 VAC / 50 Hz	230 VAC / 50 Hz	230 VAC / 50 Hz	230 VAC / 50 Hz
Кабелна дължина	4,5 m	4,5 m	4,5 m	4,5 m
UV-C-мощност след около 5 000 часа	85%	85%	85%	85%
Арт. № за UV-C-кварцово стъкло за смяна	1358765	1358766	1358730	1358767
Арт. № за UV-C-лапма за смяна	1355109	1355110	1355112	1355115
макс. вместимост на езерото	3.000 Литра	6.000 Литра	10.000 Литра	18.000 Литра

Символи & възможности за настройка



Вход за водата от помпата към филтъра



Изпускане на водата от филтъра в езерото



Изпускане на водата в почистващ режим



Функционален превключвател „Работа на филтъра“



Функционален превключвател „Почистващ режим“



Указания за безопасност

ПРИДУПРЕЖДЕНИЕ: UV лъчите са опасни за очите и кожата. UV-C-излъчвателят не бива да се използва, ако е изваден от корпуса на уреда!

ВНИМАНИЕ: Уредът съдържа UV-C-излъчвател! От нежеланата употреба на уреда или повредата на корпуса може да последва излизане на опасно UV-C-лъчение. И в малки дози UV-C-лъчението може да увреди очите и кожата.

- Електрозахранването трябва да отговаря на спецификациите на продукта. Не свързвайте UV-C-уред, ако електрозахранването не отговаря на специфицираните разпоредби! Допълнителна информация можете да получите от Вашия местен, признат електромонтажник.
- Токът на UV-C-уред трябва да бъде обезопасен чрез дефетронокова защита (FI или RCD) с номинален утечен ток от макс. 30 mA.
- Преди всяка интервенция (монтаж, техническа поддръжка и т. н.) UV-C-уредът трябва да се разедини от мрежата!
- Филтърът под налягане вкл. UV-C-уред при никакви обстоятелства не бива да се използва под вода и трябва да се инсталира до езерото, така че да не е изключено заливане с вода.
- Монтажът на филтъра под налягане трябва да се извърши на разстояние от повече от 2 m, а електрическото присъединяване на разстояние от повече от 3,5 m от езерото или водния басейн.
- Не е разрешено UV-C-уредът или прилежащите части да се отварят, ако в настоящото упътване за употреба това не е изрично указано. Това важи също за техническите изменения на уреда.

Упътване за употреба Ubbink BioPressure II -3000/6000/10000/18000

- UV–С-уредът има защитен прекъсвач, който при отваряне на уреда автоматично прекъсва електрозахранването.
- Мрежовият прекъсвач и всички присъединяващи части трябва винаги да се държат сухи. Захранващият кабел на UV–С-уреда трябва да се полага защитен, за да се избегнат евентуални повреди.
- Филтърът под налягане трябва да се пуска в експлоатация едва след монтажа на всички компоненти и изводи за маркуч.
- Уверете се, че уредът е изключен, когато през уреда не протича вода.
- Филтърът под налягане може да работи само при температура на водата от +5 °C до +35 °C.
- UV–С-уред с очевидни повреди не бива да се използва!
- Мрежовият кабел на UV–С-уреда не може да се сменя. Ако кабелът се повреди, UV–С-уредът трябва да се изхвърли правилно.
- Филтърът под налягане не е подходящ за употреба от лица (включително деца) с намалени физически, сензорни или умствени способности или липса на опит и знания, освен ако те са под контрола на лице, отговорно за тяхната безопасност, или получават указания за използването на уреда. Децата трябва да са под надзор, за да се гарантира, че не играят с уреда.

Употреба

BioPressure II е механично/биологично работещ филтър под налягане с вграден UV–С-уред за монтаж до езерото над и под нивото на водата. Филтрираната езерна вода може да се изпомпва през филтъра под налягане също и до по-високо разположени водопади. За да се постигнат видими резултати при UV–С-облъчването, езерната вода трябва да направи най-малко една пълна циркулация в рамките на 2 часа (езеро с рибки) или 4 часа (езеро без рибки).

Инсталиране

ВНИМАНИЕ! Преди всяка интервенция (първи монтаж, почистване, монтаж и смяна на UVС-лампата и т. н.) винаги първо трябва да се прекъсне електрозахранването на UVС-уреда и помпата!

- Определете местоположението на филтъра BioPressure (да се спазват инструкциите за безопасност). Филтърът може да се монтира, както над земята, така и вграден в земята. При вграждане на филтъра BioPressure до височината на капака трябва да се взимава филтърът да стои хоризонтално и да бъде добре затрупан с пръст или пясък.
- Поставете големия гумен уплътняващ пръстен в ръба на филтърното тяло. При това задължително да се внимава при поставянето гуменият уплътняващ пръстен да не се усуква или пречупва. Само така можете да сте сигурни, че капакът може да бъде поставен правилно и по-късно няма да излиза вода между двете части на филтъра.

Съвет: Навлажнете гумения уплътняващ пръстен с малко вода и след това го поставете малко повдигнат на горния ръб на филтърния резерво. Докато натискате капака, гуменият уплътняващ пръстен се премества надолу в нужното положение.

- Натиснете капака върху филтърния корпус в положение и след това поставете изпъващия пръстен над ръба на филтърния корпус и поставете капака и затворете филтър.
- Вход на филтъра (А): скъсете универсалния накрайник за маркуч (черен) по мярка за маркуча за езерото и завинтете на входа на филтъра. Скъсете маркуча за езерото до необходимата дължина, вкарайте накрайниците за маркуч в помпата и входа на филтъра и фиксирайте със скоби за маркуч. Монтирайте помпата в езерото върху здрава основа без тиня и пясък. Преди пускане на помпата в експлоатация прочетете упътването за употреба и спазвайте инструкциите за безопасност и указанията за минималната дълбочина на потапяне. При свързване на накрайниците за маркуч използвайте съответните уплътняващи пръстени.
- Изход на филтъра (J): скъсете прозрачния универсален накрайник за маркуч по мярка за маркуча за езерото и завинтете на изхода на филтъра. Скъсете маркуча за езерото до необходимата дължина, след това вкарайте единия край на маркуча върху накрайника за маркуч и фиксирайте със скоба за маркуч. Положете другия край на маркуча обратно към езерото или водопада. При свързване на накрайника за маркуч използвайте съответния уплътняващ пръстен. Ако филтрираната вода се отвежда директно обратно в езерото, водата трябва да се стича в езерото от височина на падане от около 15–20 cm.

- Извод за изпускане на замърсяванията (I): скъсете черния универсален накрайник за маркуч по мярка за маркуча за езерото и завинтете на извода за изпускане на замърсяванията. Скъсете маркуча за езерото до необходимата дължина, след това вкарайте единия край на маркуча върху накрайника за маркуч и фиксирайте със скоба за маркуч. Положете другия край на маркуча до мястото, на което трябва да се изхвърли мръсната вода. При свързване на накрайника за маркуч използвайте съответния уплътняващ пръстен.

Указание: Докато филтърът работи, можете да затворите този извод с капачка. За целта поставете затварящата капачка (стъкло) на извода за изпускане на замърсяванията и завинтете с пръстена. Запазете накрайника за маркуч с маркуча за по-късния „Почистващ режим“.

- Преди да пуснете Вашия филтър под налягане в експлоатация се уверете още веднъж, че всички кабелни съединения и изводи на маркуча са в правилно положение и филтърът е добре затворен с уплътнението. Функционалният превключвател (В) трябва да е включен на „Работа на филтъра“.
- Винаги включвайте първо помпата и проверявайте водата да преминава равномерно през филтъра под налягане и на филтъра и съединенията на маркуча да няма неуплътнени места. Едва след това включете UV–С-уреда.
- Важно е Вашият филтър под налягане да работи непрекъснато. Филтърът трябва да се изключва изцяло само за техническа поддръжка и през зимния период. Докато се развият бактериите (6–8 седмици), препоръчваме да оставите UV–С-уреда изключен.
- Ако филтърът под налягане трябва да се спре (техническа поддръжка и зимен период), винаги първо трябва да се изключва UV–С-уредът. Едва след това да се изключи помпата и да се изпусне водата от филтъра. **Указание:** Филтърът под налягане BioPressure е оборудван с комплект филтърни пълнежи, върху които структури могат да се отложат такива частици замърсявания и суспендирани вещества, които да допринесат в рамките на около 6–8 седмици след пускането на филтъра в експлоатация да се развият и създадат бактериални култури, които са необходими за механичното и биологичното филтриране. Затова дайте на Вашия филтър под налягане възможност през това време да развие изцяло филтриращите си свойства, без те да се прекъсват отчасти или изцяло.

Упътване за употреба Ubbink BioPressure II -3000/6000/10000/18000



ВНИМАНИЕ! Преди всяка интервенция (първи монтаж, почистване, монтаж и смяна на UVС-лампата и т. н.) винаги първо трябва да се прекъсне електрозахранването на UVС-уреда и помпата!

Изпускане на замърсяванията

BioPressure II работи до голяма степен без техническа поддръжка. В зависимост от степента на замърсяване на езерната вода отложените замърсявания могат да намалят почистващия ефект. Затова (според степента на замърсяване) отложените замърсявания трябва да се отмиват приблизително на всеки 2 седмици.

- Ако на извода за изпускане на замърсяванията е монтирана затваряща капачка (стъкло), я махнете и вместо нея свържете черния универсален накрайник за маркуч с маркуч.
- Завъртете функционалния превключвател (В) в положение „Почистващ режим“, докато се чуе леко шракване. Сега водата ще изтече от отвора за изпускане на замърсяванията (I).
- По време на „Почистващия режим“ има възможност да натиснете функционалния превключвател (В) надолу, за да стиснете по този начин лесно филтърните гъби, без да трябва да ги изваждате от уреда. Действайте внимателно! При прекалено бързо и силно притискане вътрешният пластмасов пръстен може да се счупи.
- Щом от филтъра потече почти чиста вода, завъртете функционалния превключвател обратно в положение „Работа на филтъра“.
- Сега можете отново да монтирате затварящата капачка (стъкло) на извода за изпускане на замърсяванията.

Указание: Не измивайте/изплаквайте филтъра изцяло. Така заселилите се бактериални култури отчасти или изцяло биха се разрушили, което ще наруши ефективността на почистване до заселването на нови клутури.

Почистване на филтърните гъби

Ако въпреки извършеното изпускане на замърсяванията налягането във филтъра продължава да се повишава, филтърните гъби трябва да се смият. Като помощ тук служи контролният дисплей (D) от горната страна на капака.

Нормално налягане	Оранжевият пръстен е долу/не се вижда.
Повишено налягане	Оранжевият пръстен покрива зеления цилиндър = необходимо почистване.

- Винаги включвайте първо вградения UV–С-уред и след това изключвайте помпата
- Махнете всички изводи за маркуча на филтъра
- Отворете и махнете заключващата скоба на филтъра (виж фиг. 1, 2, 3)
- Махнете капака и оставете върху чиста повърхност, с горната страна надолу (виж фиг. 4).
- Махнете горното филтърно дъно, като първо леко натиснете пластмасовия пръстен надолу, след това леко го завъртите, докато може лесно да се отдели нагоре. Сега издърпайте първия пласт филтърни гъби и ги махнете по същия начин като останалите филтърни дъна, филтърни гъби и тръби (виж фиг. 5, 6, 7, 8, 9, 10).
- Натиснете и измийте добре филтърните гъби с вода от чешмата.
- Изплакнете корпуса на филтъра и капака с градински маркуч.
- Поставете отново филтърните гъби, филтърните дъна и тръби в обратна последователност. Започете с голяма синя филтърна гъба, след това сменяйте жълта и синя.
- Внимавайте за отворите в пластмасовите пръстени и филтърни гъби, за да стоят филтърните гъби плътно една до друга. Междинните пространства или усукването могат значително да затруднят монтажа.
- Натиснете капака върху филтърния корпус в положение и след това поставете изпъващия пръстен над ръба на филтърния корпус и капака и затворете филтъра (виж Монтаж).

Смяна на UV–С-лампата

UV–С-уредът, вграден във филтъра BioPressure, е оборудван с UV–С-лампа с дълготрайност от около 8 000 работни часа. След това време UV–С-мощността намалява значително, че UV–С-лампата трябва да се смени. Необходимата UV–С-лампа за смяна може да се закупи от специализиран гърбовски обект на Ubbink. Използвайте само UV–С-лампа, чието наименование и мощност съвпадат с данните върху фабричната табелка.

Сменете UV–С-лампата по следния начин:

- Отвийте ръкохватката и след това развийте винтовете от UV–С-капака, който е фиксиран за филтъра (виж фиг. 11)
- Свалете UV–С-капака, внимателно издърпайте UV–С-лампата от фасунгата и след това вниматено поставете UV–С-лампата за смяна. (виж фиг. 12, 13, 14)
- Поставете отново UV–С-капака и завинтете него и ръкохватката (виж фиг. 15, 16).

Внимание: Не пипайте UV–С-лампата с голи ръце!! Това може да повреди лампата.

Почистване / смяна на UV–С-кварцовото стъкло

UV–С-кварцовото стъкло трябва да се почиства от замърсявания и отлагания на варовик най-малко два до три пъти годишно в зависимост от растежа на водораслите в езерото и степента на замърсяване на езерната вода.

- Винаги включвайте първо вградения UV–С-уред и след това изключвайте помпата.
- За улесняване на работата по техническата поддръжка препоръчваме филтърът да се изпразни изцяло.
- Махнете UV–С-капака, както е описано в Смяна на UV–С-лампата.
- Издайте UV–С-лампата и сред това внимателно издърпайте UV–С-кварцовото стъкло от корпуса.
- То е вкарано и може лесно да се издърпа. Гуменият пръстен възпрепятства плъзгането.
- Почистете UV–кварцовото стъкло с вода от чешмата и мека кърпа за почистване. **Внимание!!** Избягвайте следи от надраскване върху кварцовото стъкло и по възможност не пипайте стъкления балон директно с ръце. Поради UV–С-лъчението потта и замърсяванията се спичат върху стъкления балон и могат да доведат до намаляване на мощността на UV–С-уреда.
- Измийте пластмасовия корпус, в който е вкарано UV–С-кварцовото стъкло, с вода и подсушете корпуса преди монтажа.
- Подсушете внимателно UV–С-кварцовото стъкло преди отново да го поставите.
- Поставете отново UV–С-лампата и отново затворете UV–С-секцията в обратна последователност.
- Винаги включвайте първо помпата и след това UV–С-уреда.

Съхранение/презимуване

При замръзване филтърът под налягане трябва да се демонтира и да се съхранява без замръзване. Преди това обаче трябва да се направи основно почистване и уредът да се провери за замърсявания.

Упътване за употреба Ubbink BioPressure II -3000/6000/10000/18000



Проблеми и решения:

Проблем	Възможна причина	Решение
След 6 до 8 седмици още не са установени положителни резултати от филтрирането	Филтърът не работи всеки ден 24 ч, например през нощта се изключва	Оставете филтърът да работи постоянно
	Филтърният флуид е почистен през първите 6-8 седмици	Оставете филтърът да работи първите 6-8 седмици без почистване
	Езерната вода е изключително замърсена	Сменете водата и махнете водораслите
	Стойностите на водата не са наред, например твърде висока рН-стойност	Редовно проверявайте и при необходимост коригирайте стойностите на водата;
	Езерната вода е с твърде ниско съдържание на кислород	Употреба на вентилационна помпа за компенсирание на загубите на кислород
	В езерото има твърде много живи организми	Разпоредба: макс. 50-70 cm риба (обща дължина) на 1 000 литра езерен обем
	Филтърът или UV-C-кварцовото стъкло е замърсено	Почистете съответните части
UV-C-уредът не работи	UV-C-лампата евентуално е дефектна и трябва да се смени	
	Проверете мрежовото захранване	
Няма смяна на водата през входовете/ изходите	Превключвател настроен на „Почистване“	Поставете превключвателя на „Филтриране“
	Вход запушен	Почистете

3

Гаранция

За Ubbink BioPressure-филтрите даваме гаранция от 3 години срещу грешки по отношение на материала и производството, валидна от датата на закупуване. За признаване на гаранцията като доказателство за покупката трябва да се представи оригиналната фактура.

Допълнително за Ubbink BioPressure-филтрите даваме 12-месечна гаранция бистра вода за чиста и здравословна вода. Тази гаранция важи 12 месеца от датата на закупуване, при условие, че след 6-та седмица от пускане в експлоатация на BioPressure-филтъра все още не са постигнати доказуеми успехи при филтрирането на езерната вода, по-точно при разграждане на водорасли. За признаване на гаранция бистра вода Ubbink поставя условието, да е спазено упътването за работа и да е избрана подходящата система (BioPressure-филтър и препоръчана помпа) за езерото, което трябва да се филтрира.

Гаранцията не се отнася за:

- Счупване на стъкло респ. дефект при UV-C-лампата и/или кварцовото стъкло на UV-C-прибора
- Рекламации, чиято причина се дължи на грешка при монтажа и обслужването, недостатъчна грижа, замръзване, непрофесионални опити за ремонт, упражняване на сила, чужда вина, пренатоварване, или чужди тела, както и повреда на части вследствие на износване.



Гаранция за чиста вода

Нашият филтър под налягане BioPressure II е оборудван с висококачествен UV-C-уред 11 W, специална система от филтърни пълнеж и вграден извод за изпускане на замърсяванията. Това ни дава възможност да Ви дадем гаранция за чиста вода за чиста и здравословна вода!

Гаранцията важи 12 месеца от датата на покупка.

Условията за използване на гаранцията за чиста вода са

- да се спазва упътването за употреба на BioPressure и да е избрана подходящата система (филтър и препоръчана помпа) за езерото, което трябва да се филтрира.
- от шестата седмица след пускането в експлоатация да е доказано, че няма успех при филтрирането на езерната вода, по-специално при разграждането на плаващите водорасли (зеленасала вода).

При евентуално възникващи проблеми попитайте Вашия специализиран търговец.



Защита на околната среда

Старите електрически уреди не бива да се изхвърлят заедно с битовите отпадъци. Моля, занесете старите уреди до вашия събирателен пункт на място. Допълнителна информация ще получите от местните инстанции или фирмите за рециклиране.

Instrucțiuni de utilizare Ubbink BioPressure II -3000/6000/10000/18000



Stimate client,

vă felicităm pentru achiziționarea unui produs din seria filtrelor pentru iaz de calitate superioară Ubbink BioBalance. Prin intermediul prezentelor instrucțiuni de utilizare obțineți informații importante, care vă ajută la montarea, punerea în funcțiune și îngrijirea филтрул dvs. de presiune BioPressure. Vă rugăm să citiți cu atenție aceste instrucțiuni de utilizare înainte de instalarea филтрул и familiarizați-vă cu апаратул. Vă rugăm să respectați obligatoriu indicațiile de siguranță pentru utilizarea corectă și în siguranță. Пастрачаи cu grijă aceste instrucțiuni de utilizare.

Setul de livrare

- 1 филтру de presiune BioPressure II cu dispozitiv UV-C integrat
- 1 мањон de furtun universal 40-32-25-19 mm, transparent
- 2 мањон de furtun universal 40-32-25-19 mm, negru
- 3 inele de etansare 1 ½"
- 1 inel însurubabil cu capac de închidere (sticlă)
- 1 Instrucțiuni de utilizare

Date tehnice

BioPressure II	3000	6000	10000	18000
Cod articol	1355408	1355409	1355410	1355413
Conținut филтру	10 Litri	10 Litri	15 Litri	25 Litri
Mediu filtrare	Unitate filtrantă specială cu mai multe camere	Unitate filtrantă specială cu mai multe camere	Unitate filtrantă specială cu mai multe camere	Unitate filtrantă specială cu mai multe camere
Rezistența la presiune	max. 0,49 bari	max. 0,49 bari	max. 0,49 bari	max. 0,49 bari
Element radiant UV-C	PL-S 5 W	PL-S 9 W	PL-S 11 W	PL-L 18 W
Tensiunea de rețea / frecvența	230 VAC / 50 Hz	230 VAC / 50 Hz	230 VAC / 50 Hz	230 VAC / 50 Hz
Lungimea cablului	4,5 m	4,5 m	4,5 m	4,5 m
Puterea UV-C după aprox. 5.000 ore	85%	85%	85%	85%
Cod articol pentru sticlă cuarț UV-C de schimb	1358765	1358766	1358730	1358767
Cod articol pentru lampă UV-C de schimb	1355109	1355110	1355112	1355115
Conținut max. al iazului	3.000 Litri	6.000 Litri	10.000 Litri	18.000 Litri

Simboluri și posibilități de reglare



Admisia аpei de la помпа la филтру



Evacuarea аpei de la филтру în иаз



Evacuarea аpei în mod de curățare



Comutator funcțional „Mod de filtrare“



Comutator funcțional „Mod de curățare“



Indicații de siguranță

ATENȚIE! Radiațiile UV sunt periculoase pentru ochi și piele. Elementul radiant UV-C nu are voie să fie utilizat, dacă a fost scos din carcasa апаратул!

ATENȚIE! Acest апарат conține un element radiant UV-C! Folosirea nesupravegheată a апаратул sau deteriorarea carcасei poate avea ca urmare evacuarea radiațiilor UV-C periculoase. Radiațiile UV-C pot cauza vătămarea ochilor și pielii și în dozare redusă.

- Alimentarea cu curent trebuie să corespundă specificațiilor produsului. Nu conectați апаратул UV-C la curent, dacă alimentarea nu îndeplinește prevederile specificate! Mai multe informații puteți obține de la instalatorul dumneavoastră electric local și calificat.
- Circuitul electric pentru апарат UV-C trebuie să fie asigurat printr-un dispozitiv de protecție la curent de defect (FI, respectiv RCD) cu un curent nominal de defect de maxim 30 mA.
- Înainte de fiecare intervenție (instalare, întreținere etc.) апаратул UV-C trebuie deconectat de la rețeaua de alimentare electrică!
- Filtrul de presiune incl. апаратул UV-C nu trebuie utilizat în nicio circumstanță sub apă și trebuie să fie instalat lângă иаз, astfel încât să fie exclusă o inundare.
- Instalarea филтрул de presiune trebuie să se realizeze la o distanță de peste 2 m, iar conexiunea de curent electric la o distanță de peste 3,5 m față de иаз, respectiv bazinul de apă.
- Nu este permisă desfacerea апаратул UV-C sau a componentelor acestuia, dacă acest lucru nu este specificat în mod explicit în acest manual de instrucțiuni. Acest lucru este valabil și pentru modificările tehnice ale апаратул.
- Апарат UV-C deține un comutator de protecție, care intrerupe automat alimentarea cu energie electrică la deschiderea апаратул.

Instrucțiuni de utilizare Ubbink BioPressure II -3000/6000/10000/18000

- Ștecărul și toate celelalte puncte de conectare trebuie să fie întotdeauna uscate. Cablul de conectare al aparatului UV-C trebuie să fie instalat într-un mod protejat, pentru a evita eventuale daune.
- Este permisă punerea în funcțiune a filtrului de presiune abia după terminarea instalării tuturor componentelor și racordurilor furtunurilor.
- Asigurați-vă că dispozitivul este deconectat, dacă prin dispozitiv nu curge apă.
- Este permisă utilizarea filtrului de presiune numai la o temperatură a apei cuprinsă între +5 °C și +35 °C.
- Un aparat UV-C cu defecțiuni vizibile nu trebuie utilizat!
- O înlocuire a cablului de alimentare la aparatul UV-C nu este posibilă. În cazul în care cablul este defect, aparatul UV-C trebuie eliminat în mod corespunzător.
- Filtrul de presiune nu trebuie utilizat de persoane (inclusiv de copii) cu abilități fizice, senzoriale sau mentale reduse sau de către persoanele care nu dețin experiența și cunoștințele necesare pentru aceasta, cu excepția cazului în care acestea au fost supravegheate de o persoană răspunzătoare de siguranța lor sau au primit indicații în legătură cu utilizarea aparatului. Copii trebuie să fie supravegheați pentru a vă asigura că aceștia nu se joacă cu aparatul.

Utilizare

BioPressure II este un filtru de presiune care funcționează mecanic/biologic cu aparat UV-C integrat pentru instalarea lângă iaz deasupra și dedesubtul oglinzii apei. Apa filtrată a iazului poate fi pompată prin filtrul de presiune și în cazul unor cascade de apă situate la înălțime. Pentru a obține succese vizibile la radiația UV-C, apa iazului trebuie să fie recirculată complet cel puțin o dată în decursul a 2 ore (iaz populat cu pești) sau 4 ore (iaz fără pești).

Instalare

ATENȚIE! Înainte de orice intervenție (prima montare, curățare, instalarea și schimbarea lămpii UVC etc.), trebuie întreruptă mai întâi alimentarea cu curent electric a aparatului UV-C și a pompei.

1. Stabiliți locația filtrului BioPressure (Respectați indicațiile de siguranță). Este posibilă o montare a filtrului atât supraprană, cât și încorporată în sol. La îngroparea filtrului BioPressure până la înălțimea capacului, trebuie să se aibă în vedere ca filtrul să stea vertical și să fie bine umplut la partea din spate cu pământ, respectiv nisip.

2. Introduceți inelul mare de etanșare din cauciuc în marginea vasului de filtrare. Aveți, în plus, grijă ca inelul de etanșare din cauciuc să nu se răsucescă sau să nu se teșească în momentul introducerii. Numai în acest mod puteți fi sigur că respectivul capac poate fi așezat corect și ulterior nu va ieși apă între ambele părți ale filtrului.

Sfat: Umeziți inelul de etanșare din cauciuc cu puțină apă și așezați-l apoi puțin înălțat la marginea superioară a rezervorului filtrului. În timp ce apăsați capacul, inelul de etanșare din cauciuc se rulează în jos în poziție.

3. Apăsați capacul în poziție pe carcasa filtrului și așezați apoi inelul de strângere peste marginea carcasei filtrului și capac și închideți filtrul.

4. Admisia filtrului (A): scurtați manșonul universal al furtunului (negru) în mod adecvat pentru furtunul iazului și înșurubați în mod ferm la admisia filtrului. Scurtați furtunul iazului la lungimea necesară, introduceți-l pe manșoanele de furtun de la pompă și admisia filtrului și asigurați colierele de furtun. Amplasați pompa în iaz pe bază fixă, fără noroi și nisip. Înainte de punerea în funcțiune a pompei, citiți instrucțiunile de utilizare și respectați indicațiile de siguranță, precum și specificațiile privind adâncimea minimă de imersare. La racordarea manșoanelor de furtun, utilizați inelele corespunzătoare de etanșare.

5. Evacuarea filtrului (J): scurtați manșonul universal transparent al furtunului în mod adecvat pentru furtunul iazului și înșurubați în mod ferm la evacuarea filtrului. Scurtați furtunul iazului la lungimea necesară, introduceți apoi un capăt al furtunului pe manșonul furtunului și asigurați cu un colier de furtun. Montați celălalt capăt al furtunului înapoi la iaz, respectiv până la cascada de apă. La racordarea manșonului de furtun, utilizați inelul corespunzător de etanșare. Dacă apa filtrată este condusă înapoi direct în iaz, apa trebuie să curgă în iaz de la o înălțime de cădere de aprox. 15 - 20 cm.

6. Evacuarea murdăriei (I): scurtați manșonul universal negru al furtunului în mod adecvat pentru furtunul iazului și înșurubați în mod ferm la evacuarea murdăriei. Scurtați furtunul iazului la lungimea necesară, introduceți un capăt al furtunului pe manșonul furtunului și asigurați cu un colier de furtun. Montați celălalt capăt în locul în care trebuie să fie eliminată apa murdară. La racordarea manșonului de furtun, utilizați inelul corespunzător de etanșare.

Indicație: Pe durata funcționării filtrului, puteți închide această evacuare și cu un capac. Pentru aceasta, așezați capacul de închidere (sticlă) la evacuarea murdăriei și înșurubați ferm cu inelul. Puneți de-o parte manșonul furtunului cu furtunul pentru „Modul de curățare” ulterior.

7. Înainte de a pune în funcțiune filtrul de presiune, asigurați-vă încă o dată că toate conexiunile de cablu și racordurile de furtun sunt fixate corect și că filtrul este bine închis cu etanșarea. Comutatorul funcțional (B) trebuie să fie comutat pe „Funcție filtru”.

8. Porniți întotdeauna mai întâi pompa și controlați dacă apa curge uniform prin filtrul de presiune și la filtru și la conexiunile de furtun nu există niciun loc neetanș. Abia apoi porniți aparatul UV-C.

9. Este important ca filtrul dvs. de presiune să funcționeze neîntrerupt. Doar pentru întreținere și în timpul perioadei de iarnă filtrul trebuie să fie complet oprit. Pe durata formării bacteriilor (6 - 8 săptămâni), vă recomandăm să lăsați aparatul UV-C încă oprit

10. Dacă filtrul de presiune trebuie scos din funcțiune (întreținere și perioada de iarnă), trebuie oprit întotdeauna mai întâi aparatul UV-C. Abia apoi oprți pompa și evacuați apa din filtru.

Indicație: acest filtru de presiune BioPressure este echipat cu un set de cartușe filtrante, pe structura cărora se pot depune astfel de particule de murdărie și substanțe flotante, care contribuie la dezvoltarea și formarea culturilor de bacterii în decursul a 6 - 8 săptămâni după punerea în funcțiune a filtrului, care sunt necesare atât pentru filtrarea mecanică, cât și pentru filtrarea biologică. De aceea, dați posibilitatea filtrului dvs. de presiune să-și desfășoare pe deplin proprietățile sale de filtrare pe parcursul acestei perioade, fără ca acestea să fie întrerupte parțial sau complet.

Instrucțiuni de utilizare Ubbink BioPressure II -3000/6000/10000/18000



Întreținere și curățare

ATENȚIE! Înainte de orice intervenție (prima montare, curățare, instalarea și schimbarea lămpii UVC etc.), trebuie întreruptă mai întâi alimentarea cu curent electric a aparatului UV-C și a pompei!

Evacuarea murdăriei

BioPressure II funcționează în mare parte fără întreținere. În funcție de gradul de murdărie a apei iazului, depunerile de murdărie pot reduce însă efectul de curățare. De aceea (în funcție de gradul de impurități), depunerile de murdărie trebuie să fie spălate la aproximativ 2 săptămâni.

1. Dacă la evacuarea murdăriei este montat capacul de închidere (sticlă), atunci îndepărtați-l și racordați pentru aceasta manșonul negru universal de furtun cu furtunul.
2. Răsuciți comutatorul funcțional (B) în poziția „Mod de curățare” până când se poate auzi un ușor clic. Apa iese acum din orificiu pentru evacuarea murdăriei (I).
3. În timpul „Modului curățare” există posibilitatea de a apăsa comutatorul funcțional (B) în jos pentru a presa ușor în afară în acest mod bureții filtrului fără a necesita scoaterea din aparat. Procedați cu grijă! Presarea prea rapidă și puternică poate rupe inelul interior din plastic.
5. Dacă din filtru curge apă aproape curată, rotiți comutatorul funcțional înapoi în poziția „Mod de filtrare”.
6. Puteți monta acum din nou capacul de închidere la evacuarea murdăriei (sticlă).

Indicație: Nu spălați / dațiți filtrul complet. Culturile de bacterii colonizate ar fi distruse astfel parțial până la complet, ceea ce influențează performanța de curățare până la colonizarea noilor culturi.

Curățarea bureților filtrului

Dacă în ciuda evacurii murdăriei realizate presiunea din filtru crește în continuare, bureții filtrului trebuie spălați. Ca ajutor folosește aici indicatorul de control (D) de la partea superioară a capacului.

Presiune normală	Inelul de culoare portocalie este jos/nu se vede.
Presiunea se mărește	Inelul de culoare portocalie acoperă cilindrul verde = Curățare necesară.

1. Oprți întotdeauna mai întâi aparatul UV-C integrat și apoi pompa
2. Îndepărtați racordurile de furtun de la filtru
3. Deschideți și îndepărtați mânerul de închidere al filtrului (vezi figura 1, 2, 3)
4. Ridicați capacul și așezați-l pe o suprafață curată, cu partea superioară în sus (vezi fig. 4).
5. Îndepărtați baza superioară a filtrului prin apăsarea inelului din plastic mai întâi ușor în jos, apoi rotiți puțin până când permite să se ridice ușor în sus. Trageți acum primul strat de bureți de filtrare și îndepărtați în același mod celelalte baze ale filtrului, bureții de filtrare și țevile (vezi fig. 5, 6, 7, 8, 9, 10).
6. Apăsați și spălați bine bureții de filtrare cu apă de conductă.
7. Spălați vasul de filtrare și capacul cu un furtun de grădină.
8. Reintroduceți bureții de filtrare, bazele filtrului și țevile în succesiune inversă. Începeți cu un burete de filtrare albastru mare, apoi alternativ galben și albastru.
9. Acordați atenție degajărilor din inele din plastic și bureții de filtrare pentru ca bureții de filtrare să stea aproape unul de celălalt. Spațiile intermediare sau o țesire pot îngreuna considerabil asamblarea.
10. Apăsați capacul în poziție pe carcasa filtrului și așezați apoi inelul de strângere peste marginea carcasei filtrului și capac și închideți filtrul (vezi instalarea).

Înlocuirea lămpii UV-C

Aparatul UV-C integrat în filtrul BioPressure este echipat cu o lampă UV-C cu o durată de viață de aprox. 8.000 ore de funcționare. După această perioadă, puterea UV-C s-a redus atât de mult, încât lampa UV-C trebuie înlocuită. Lampa de schimb UV-C necesară este disponibilă la distribuitorul dvs. Ubbink. Utilizați doar o lampă UV-C a cărei denumire și putere corespunde cu datele de pe plăcuța de tip.

Efectuați înlocuirea lămpii UV-C în felul următor:

1. Desurubați mânerul și desfaceți apoi șuruburile din capacul UV-C, care este fixat la filtru (vezi fig. 11)
2. Scoateți capacul UV-C, scoateți lampa UV-C cu atenție din fasung și introduceți apoi cu atenție lampa de schimb UV-C. (vezi fig. 12, 13, 14)
3. Reașezați capacul UV-C și înșurubați capacul și mânerul în mod ferm (vezi fig. 15, 16).

Atenție: Nu apucați lampa UV-C cu mâinile goale!! Aceasta poate deteriora lampa.

Curățarea / înlocuirea sticlei cuarț UV-C

Sticlă cuarț UV-C trebuie să fie curățată cel puțin de două ori până la de trei ori pe an de murdărie și depuneri de calcar, în funcție de creșterea algelor în iaz, precum și de gradul de murdărie al apei din iaz.

1. Oprți întotdeauna mai întâi aparatul UV-C integrat și apoi pompa.
2. Pentru simplificarea lucrării de întreținere, vă recomandăm golirea completă a filtrului.
3. Îndepărtați capacul UV-C așa cum este descris la înlocuirea lămpii UV-C.
4. Scoateți lampa UV-C și scoateți apoi sticlă cuarț UV-C cu atenție din carcasă. Aceasta este introdusă și poate fi scoasă simplu. Un inel din cauciuc împiedică alunecarea.
5. Curățați sticlă cuarț UVC cu apă de conductă și o lavetă moale de curățare.
Atenție! Evitați în proces urmele de zgăriere pe sticlă de cuarț și nu atingeți pe căt posibil direct balonul de sticlă cu mâinile. Prin radiațiile UV-C se ard sudorea și grăsimea de pe balonul de sticlă și pot avea ca urmare o reducere a performanței aparatului UV-C.
6. Spălați carcasa din plastic în care este introdusă sticlă de cuarț UV-C, cu apă și uscați carcasa înainte de asamblare.
7. Ușcați cu atenție sticlă cuarț UV-C înainte de a o reintroduce.
8. Reintroduceți lampa UV-C și închideți din nou secțiunea UV-C în succesiune inversă.
9. Apoi conectați întotdeauna mai întâi pompa și apoi aparatul UV-C.

Depozitarea / păstrarea peste iarnă

Filtrul de presiune trebuie să fie demontat în caz de îngheț și trebuie să fie păstrat ferit de îngheț. Înainte de aceasta, ar trebui efectuată încă o curățare temeinică, iar dispozitivul verificat dacă prezintă deteriorări.

INSTRUCȚIUNI DE UTILIZARE Ubbink BioPressure II -3000/6000/10000/18000



Probleme și soluții:

Problemă	Cauza posibilă	Soluție
După 6 până la 8 săptămâni nu s-au constatat încă rezultate pozitive de filtrare	Filtrul nu funcționează 24 h zilnic, de ex. este deconectat pe timpul nopții	Lăsați filtrul să funcționeze permanent
	Mediile de filtrare au fost curățate în decursul primelor 6 - 8 săptămâni	Lăsați filtrul să funcționeze fără curățare în primele 6 - 8 săptămâni
	Apa iazului este foarte murdară	Schimbați apa și îndepărtați algele
	Valorile apei nu sunt în ordine, de ex. valoarea pH-ului prea mare	Testați valorile apei în mod regulat și, dacă este cazul, corectați-le;
	Apa iazului are un conținut prea redus de oxigen	Utilizarea unei pompe de aerisire pentru compensarea pierderilor de oxigen
	Se găesc prea multe vietăți în iaz	Directiva: pește de max. 50 - 70 cm (lungime totală) per 1.000 litri volum al iazului
	Filtrul sau sticla cuarț UV-C prezintă impurități	Curățați piesele respective
	Aparatul UV-C nu funcționează	dacă este cazul, lampa UVC este defectă și trebuie înlocuită Verificați conexiunea de rețea
Lipsa schimbului de apă prin intrări / ieșiri	Comutator setat pe „Curățare”	Setați comutatorul pe „Filtrare”
	Intrare înfundată	Curățare

3

Garanție

Pentru filtrul BioPressure oferim o garanție de 3 ani contra defectelor de materiale și de producere care este valabilă de la data achiziționării. Pentru solicitarea garanției trebuie prezentată chitanța originală ca și dovadă de achiziționare.

Complementar vă oferim pentru filtrul BioPressure o garanție a apei curate pe o durată de 12 luni pentru o apă curată și sănătoasă. Această garanție este valabilă 12 luni de la data achiziționării, cu condiția dacă din a 6-a săptămână după punerea în funcțiune a filtrului BioPressure încă nu sunt obținute rezultatele dovedite la filtrarea apei din iaz, în special nu la descompunerea algelor plutoare. Pentru solicitarea garanției de apă pură Ubbink se presupune că instrucțiunile de utilizare au fost respectate și că sistemul corespunzător (filtrul BioPressure și pompa recomandată) a fost ales pentru un iaz care trebuie filtrat.

Nu intră sub garanție:

- Spargerea respectiv defectul lămpii UV-C și/sau sticla cuarț a utilajului UV-C
- Reclamațiile, ale căror cauză poate conduce înapoi către defecte de montare și deservire, îngrijire insuficientă, influența gheații, încercări de reparație necompetente, folosirea violenței, defect străin, supraincercare sau corpi străini, respectiv toate defectele piesei datorate uzurii.



Garanție apă curată

Filtrul nostru de presiune BioPressure II este echipat cu un aparat UV-C de 11 wați de calitate superioară, un sistem special de elemente filtrante, precum și o evacuare integrată a apei murdare. Acest lucru ne dă posibilitatea de a vă garanta o garanție pentru apă curată și sănătoasă!

Această garanție este valabilă pentru 12 luni de la data achiziționării.

Pentru valabilitatea garanției pentru apă curată, presupunem că

- ați respectat instrucțiunile de utilizare BioPressure și ați selectat sistemul adecvat (filtrul și pompa recomandată) pentru iazul care trebuie filtrat.
- din a șasea săptămână de la punerea în funcțiune nu s-a reușit filtrarea apei iazului, îndeosebi la descompunerea algelor plutoare (apa verde).

În caz de eventuale probleme apărute, vă rugăm să vă adresați distribuitorului dumneavoastră.



Protecția mediului înconjurător

Aparatele electronice uzate nu se vor arunca la gunoiul menajer. Vă rugăm, duceți-le la centrele locale de reciclare. Alte informații puteți obține de la dealerul sau punctul de reciclare din zona dumneavoastră.

Ubbink BioPressure II -3000/6000/10000/18000 Kullanım Kılavuzu



Saygıdeğer Müşterimiz,

Yüksek değerli Ubbink BioBalance Havuz Filtresi serisinden satın almış olduğunuz ürün için tebrik ederiz. Kullanım kılavuzu ile size BioPressure-Basınçlı Filtre cihazının montajı, çalıştırılması ve bakımı hakkında önemli enformasyonlar sunulmaktadır. Bu kullanım kılavuzunu lütfen filtrenin monte edilmesinden önce dikkatlice okuyun ve kendinizi cihaz hakkında bilgilendirin. Doğru ve güvenli bir kullanım için mutlaka güvenlik talimatlarına dikkat edin. Bu kullanım kılavuzunu lütfen itinalı bir şekilde muhafaza edin!

Teslimat kapsamı

- 1 UV-C-Cihazı ile birlikte BioPressure 1000 Basınçlı Filtre
- 1 Üniversal hortum ağızlıkları 40-32-25-19 mm, transparan
- 2 Üniversal hortum ağızlıkları 40-32-25-19 mm, siyah
- 3 Conta halkalar 1 1/2"
- 1 Kapatma başlığı ile vida halkası (Cam)
- 1 Kullanım Kılavuzu

Teknik veriler

BioPressure II	3000	6000	10000	18000
Artikel-No.	1355408	1355409	1355410	1355413
Filtre kapasitesi	10 Litre	10 Litre	15 Litre	25 Litre
Filtre medyumu	Spesiyal–Kat filtre altlığı	Spesiyal–Kat filtre altlığı	Spesiyal–Kat filtre altlığı	Spesiyal–Kat filtre altlığı
Basınç yüklemeye	Maksimum 0,49 bar	Maksimum 0,49 bar	Maksimum 0,49 bar	Maksimum 0,49 bar
UV-C-Projektör	PL-S 5 W	PL-S 9 W	PL-S 11 W	PL-L 18 W
Şebeke akımı	230 VAC / 50 Hz	230 VAC / 50 Hz	230 VAC / 50 Hz	230 VAC / 50 Hz
Kablo uzunluğu	4,5 m	4,5 m	4,5 m	4,5 m
Yaklaşık 5.000 saat sonra UV-C-Gücü	85%	85%	85%	85%
UV-C-Kuvars cam yedeği için Artikel No.	1358765	1358766	1358730	1358767
UV-C-Yedek lamba için Artikel No.	1355109	1355110	1355112	1355115
Maksimum havuz kapasitesi	3.000 Litre	6.000 Litre	10.000 Litre	18.000 Litre

Semboller & Ayar olanakları



Pompadan filtreye su girişi



Filtreden havuza su çıkışı



Temizlik çalıştırması için su boşaltma



Fonksiyon şalter „Filtre çalıştırma”



Fonksiyon şalter „Temizlik çalıştırması”



Güvenlik Uyarıları

UYARI: UV ışıkları gözler ve deri için tehlikelidir. UV-C-Projektör cihaz mahfazasından çıkartıldığı takdirde çalıştırılması yasaktır!
DİKKAT: Bu cihaz bir UV-C-Projektörü içermektedir! Cihazın kasıtsız olarak çalıştırılması veya mahfazasının hasar görmesi tehlikeli UV-C-Işınlarının dışarı sızmasını neticesini meydana getirebilir. UV-C-Işıklar gözlere ve deriye ufak dozlarda dahi hasar verebilir.

- Akım besleme ürün özelliklerine uygun olmak zorundadır. Akım beslemenin belirlenmiş olan kurallara uygun olmadığı durumda UV-C-Cihazının akımı ile bağlamayın! Bu konuda daha fazla enformasyonu tanıtmış yerel elektrik ustasında alabilirsiniz.
- UV-C-Cihazının akım devresinde hatalı akım ölçme gücü maksimum 30 mA güvenlik altına alan bir hatalı akım koruma tertibatı (FI veya RCD) donatılmış olmak zorundadır.
- Her müdahaleden önce (enstalasyon, bakım vb.) UV-C-Cihazı şebekeden ayrılmalı zorundadır!
- UV-C-Cihazı basınçlı filtresi de dâhil olarak kesinlikle su altında çalıştırılmaz ve havuzun kenarında taşan sudan etkilenmeyecek bir şekilde kurulmak zorundadır.
- Basınçlı filtresi havuzdan 2 metre mesafede, akım bağlantısı ise havuzdan yani su kabından 3,5 metreyi aşan bir mesafede bağlanmak mecburiyetindedir.
- Bu kullanım kılavuzunda kesin olarak açıklanmamış ise UV-C-Cihazının veya cihaza ait olan parçaların açılması kesinlikle yasaktır. Bu yasak cihazdaki teknik değişiklikler için de geçerlidir.
- UV-C-Cihazı açılması durumunda otomatik olarak akım beslemeyi kesen bir koruma şalteri ile donatılmıştır.
- Şebeke bağlantı fişi ve bağlantı noktaları daima kuru olarak bulundurulmalı zorundadır. Olası bir hasarlanmadan sakınmak için akım bağlantı kablosu korunmuş bir şekilde döşenmelidir.
- Basınçlı filtre ancak cihazın bütün bileşenleri hortum bağlantılarının tamamı bağlandıktan sonra çalıştırılacaktır.

UBBink BioPressure II -3000/6000/10000/18000 Kullanım Kılavuzu

- Cihaz içerisinde su geçmediği durumda cihazın kapalı olmasını güvenlik altına alın.
- Basınç filtresi sadece su sıcaklığının +5 °C ile +35 °C arasında olması durumunda çalıştırılacaktır.
- Göze görünür bir şekilde hasarlı olan UV-C Cihazının çalıştırılması yasaktır!
- UV-C Cihazının şebeke akım bağlantısı kablusunun değiştirilmesi mümkün değildir. Kablounun hasarlı olması durumunda UV-C-Cihazı kurallara uygun bir şekilde tasfiye edilmek zorundadır.
- Güvenlikleri yetkili bir şahıs tarafından kontrol edilmedikleri takdirde vücutsal veya zekâ aşısından engelli olan şahısların ve cihazın kullanımı hakkında bilgilendirilmemiş olan şahısların (çocuklar da dâhil) basınç filtresini kullanmaları yasaktır. Cihaz ile oynamadıklarını güvenlik altına almak için çocukların gözetim altında bulundurulmaları mecburidir.

Kullanım

BioPressure II, havuzun yanında ve/veya su seviyesinden aşağıda kurulması için entegre UV-C-Cihazı ile donatılmış ve mekanik/biyolojik olarak çalışan bir basınç filtresidir. Filtrelenmiş olan havuz suyu basınçlı filtre sayesinde daha yüksekte bulunan su şelalelerine pompalanabilir. UV-C-Işınlandırmak için görünür başan elde etmek için havuz suyu 2 saat içerisinde (çinde balık bulunan havuz) veya 4 saat içerisinde (çinde balık bulunmayan havuz) en azından bir sefer komple aktarılmalıdır.



Enstalasyon

DIKKAT! Her müdahaleden önce (ilk montaj, temizleme, UV-C-Lambasının takılması ve değiştirilmesi vb.) UV-C-Cihazının akım beslemesi kesilmek zorundadır!

- BioPressure-Filtresinin kurulum yerini belirleyin (Güvenil talimatlarına dikkat edin). Filtre, hem toprak üstüne hem de torak altına kurulum için uygundur. BioPressure-Filtrenin kapak hizasına kadar torak altına gömülmesi durumunda filtrenin düz bir şekilde durmasına ve arkasının toprak veya kum ile doldurulmuş olmasına dikkat edilmek zorundadır.

- Büyük lastik contayı filtre tenceresinin kenarına yerleştirin. Yerleştirme esnasında contanın dönmemesine veya kenarda sıkışmasına mutlaka dikkat edin. Ancak bu şekilde kapağın düzgün bir şekilde yerleşmesini sağlamış ve daha sonra her iki filtre parçasının arasından su sızıntısı olmasını önlemiş olacaksınız.

Tavsiye: Lastik contayı biraz su ile ıslatın ve ondan sonra contayı biraz yükseğe filtre kabının kenarına yerleştirin. Kapağı siz üzerine yerleştirirken lastik conta aşağıya doğru pozisyonuna geçecektir.

- Kapağı filtre mahfazasının üzerine pozisyonuna bastırın ve arkasından gerdirme halkasını filtre mahfazasının ve kapağın kenarına yerleştirerek filtreyi kapatın.

- Filtre girişi (A):
Üniversal hortum ağzını (siyah) havuz hortumuna uygun olacak şekilde kısıltın ve filtre girişine bağlayın.
Havuz hortumunu gerekli olan uzunlukta kısıltın, pompa ve filtre girişinde bulunan hortum ağızlarına sokun ve hortum kelepçeleri ile sıkarak güvenlik altına alın. Pompayı havuz içine sabit zemin üzerine çamur ve kumdan muaf bir şekilde yerleştirin. İlk çalıştırmadan önce kullanım kılavuzunu okuyun ve güvenlik talimatlarına ve en az daldırma derinliğine dikkat edin. Hortum ağızlarının bağlanması için uygun olan conta halkalarını kullanın.

- Filtre çıkışı (U):
Transparan üniversal hortum ağzını havuz hortumuna uygun olacak şekilde kısıltın ve filtre çıkılına sabitleyin.
Havuz hortumunu gerekli olan uzunlukta kısıltın ve ondan sonra bir hortum ucunu hortum ağzına sokarak bir hortum kelepçesi ile sıkarak güvenlik altına alın. Hortumun diğer ucunu havuza veya su şelalesine kadar geriye döşeyin. Hortum ağızlarının bağlanması için uygun olan conta halkalarını kullanın. Filtrelenmiş olan su direkt olarak havuza geri gönderilecek ise, suyun 15-20 cm yükseklikten havuza akması gerekir.

- Kirli su çıkışı (I):
Siyah üniversal hortum ağzını havuz hortumuna uygun olacak şekilde kısıltın ve kirli su çıkışına sabitleyin. Havuz hortumunu gerekli olan uzunlukta kısıltın, bir hortum ucunu hortum ağzına sokun ve bir hortum kelepçesi ile sıkarak güvenli altına alın. Hortumun diğer ucunu kirli suyun boşalacağı noktaya döşeyin. Hortum ağzının bağlanması için uygun olan conta halkasını kullanın.

Uyarı: Filtrenin çalıştırılması süresinde bu çıkışı bir kapak ile de kapatabilirsiniz. Bu işlem için kapatma kapağını (cam) kirli su çıkışına takın ve bir halka ile sabitleyin. Hortum ağzını daha sonraki "temizlik çalıştırması" için saklayın.

- Basınçlı filtreyi çalıştırmadan önce tekrar bütün kabloların ve hortum bağlantılarının doğru olarak bağlı olduklarını ve filtre contasının yerine sağlamca oturmakta olduğunu güvenli altına alın. Fonksiyon şalter (B) "Filtre fonksiyonu" üzerinde olmak zorundadır.

- Daima önce pompayı çalıştırın ve suyun basınçlı filtre içinden eşit bir şekilde geçmekte olduğuna ve filtrede ve hortum bağlantılarında sızıntı yapan noktaların olmamasına dikkat edin. UV-C-Cihazını ancak bundan sonra çalıştırın.

- Basınçlı filtrenin aralıklı olarak çalışması önemlidir. Sadece bakım esnasında ve kış aylarında filtre komple kapatılmalıdır. Bakteri üreme süresinde (6-8 hafta) UV-C-Cihazının halen kapalı kalmasını tavsiye ederiz.

- Basınçlı filtrenin kapatılması gereken durumlarda (bakım, kış ayları) daima önce UV-C-Cihazı kapatılmalıdır. Pompa ancak ondan sonra kapatılmalı ve filtredeki su boşaltılmalıdır.

Uyarı: Bu BioPressure-Basınçlı filtresi çalıştırılmasından sonra 6-8 hafta içerisinde strüktürlerinde hem mekanik hem de biyolojik filtreleme için gerekli olan bakteri kültürlerinin yerleştiği filtre altığı takımı ile donatılmıştır. Bu nedenle basınçlı filtrenize bu süre içerisinde kısmen veya komple kapatmadan filtreleme özelliklerini geliştirmesi için gerekli olan olanacağı sağlayın.

UBBink BioPressure II -3000/6000/10000/18000 Kullanım Kılavuzu



Bakım ve temizlik

DIKKAT! Her müdahaleden önce (ilk montaj, temizleme, UV-C-Lambasının takılması ve değiştirilmesi vb.) UV-C-Cihazının akım beslemesi kesilmek zorundadır!

Kirli su boşaltma

BioPressure II cihazı daha çok bakımı gereksiz olarak çalışmaktadır. Fakat havuz suyunun kirlenme derecesine bağlı olarak pislik kalıntıları temizlik etkisini düşürebilir. Bu nedenle (kirlenme derecesine göre) pislik kalıntıları her 2 haftada bir durulanmalıdır.

- Pislik boşaltma çıkışında kapatma kapağı (cam) monte edilmiş ise, bu kapağı çıkartın ve bunun yerine hortum ile birlikte siyah üniversal hortum ağzını bağlayın.
- Fonksiyon şalterini (B) sessiz bir geçme sesi işitilinceye kadar "Temizlik çalıştırması" ayarına getirin. Şimdi su kirli su boşaltma çıkışından (I) Akmaya başlayacaktır.
- "Temizlik çalıştırması" esnasında filtre süngerlerini cihazdan çıkarmaya gerek kalmadan fonksiyon şalterini (B) aşağı bastırarak bu süngerleri hafifçe sıkma olanağı bulunmaktadır. Bu işlem esnasında dikkatli hareket edin! Hızlı ve çabuk sıkma yapıldığında iç kısımda bulunan plastik halka kırılabilir.
- Filtreden berraağa yakın su akmaya başladığında fonksiyon şalterini tekrar "Filtre çalıştırması" pozisyonuna getirin.
- Şimdi kirli su boşaltma çıkışına tekrar kapatma kapağını (cam) monte edebilirsiniz.

Uyarı: Filtreyi lütfen tamamen yıkamayın/durulamayın. Bu durumda yerleşmiş olan bakteriler kısmen veya tamamen imha edilecektir ve durum temizleme gücünü yeni kültürler yerleşinceye kadar etkileyecektir.

Filtre süngerlerinin temizlenmesi

Pislik boşaltılmış olmasına rağmen filtredeki basınç yükselmekte ise, filtre süngerleri yıkanmak zorundadır. Kapağın ön tarafında bulunan kontrol göstergesi (D) bu işlem için yardımcı olmaktadır.

Normal basınç Portakal rengindeki halka aşağıda/görünmüyör.

Basınç yüksek Portakal rengindeki halka yeşil silindiri kapatıyor = Temizlik gerekli.

- Daima önce entegre UV-V-Cihazını ve arkasından pompayı kapatın
- Filtredeki bütün hortum bağlantılarını çıkartın
- Filtrenin kapatma akısını açın ve çıkartın (bakınız resim 1, 2, 3)
- Kapağı dışarı alın ve üst tarafı aşağı gelecek şekilde temiz bir yüzey üzerine koyun (bakınız resim 4).
- Plastik halkayı önce hafifçe aşağı bastırarak üst filtre tabanını çıkartın, ondan sonra biraz çevirerek kolayca yukarı kaldırın. Şimdi birinci sünger katmanlarını çıkartın ve aynı şekilde diğer filtre tabanlarını ve boruları çıkartın (bakınız resim 5, 6, 7, 8, 9, 10).
- Şebeke suyu ile filtre süngerlerini sıkarak yıkayın.
- Filtre kabını ve kapağını bir bahçe horumu ile durulayın.
- Şimdi ters istikamette filtre süngerlerini, filtre tabanını ve boruları tekrar yerleştirin. Büyük mavi filtre süngeri ile başlayın ve ondan sonra değişik değişik bir sarı bir mavi yerleştirin.
- Filtre süngerlerinin birbirine sürtmemesi için plastik halkalardaki çıkıntılara dikkat edin. Aradaki boşluklar ve ters gelmeler birleştirmeyi önemli derecede zorlaştırabilir.
- Kapağı filtre mahfazasının üzerindeki pozisyonuna yerleştirin ve arkasından gerdirme halkasını filtre mahfazasının ve kapağın kenarı üzerine yerleştirin ve filtreyi kapatın (bakınız enstalasyon).

UV-C-Lambasının değiştirilmesi

BioPressure-Filtrede entegre edilmiş olan UV-C-Cihazı yaşam süresi yaklaşık 8.000 çalışma saati olan bir UV-C-Lamba ile donatılmıştır. Bu çalışma saatinden sonra UV-C-Güçü UV-V-Lambasının değiştirilmesini gerektirecek şekilde azalmış bulunmaktadır. Gerekli olan UV-C-Yedek lambasını Ubbink – Uzman ticarethanesinden tedarik edebilirsiniz. Sadece tanımlı ve gücü tip etiketinde belirtilmekte olanların aynı olan UV-C-Lambası kullanın.

UV-C-Lambası şu şekilde değiştirilecektir:

- Tutma sapını sökün ve arkasından filtrede sabitlenmiş olan UV-C-Kapağının vidalarını çıkartın (bakınız resim 11)
- UV-C-Kapağını çıkartın ve UV-C-Lambasını dikkatlice mahfazasından dışarı çıkartın ve dikkatlice yedek UV-C-Lambasını yerleştirin (bakınız resim 12, 13, 14)
- UV-C-Kapağını tekrar yerleştirin vidalarını el ile sıkın (bakınız resim 15, 16).

DIKKAT: UV-C-Lambasını çplak el ile tutmayın!! Aksi takdirde lambaya hasar verebilirsiniz.

UV-C-Kuvars camı temizleme/değiştirme

UV-C-Kuvars camın havuzdaki yosun gelişmesinden ve havuz suyunun kirlenme durumuna göre senede en az bir iki defa pisliklerinin ve kireç bağlanmalarının temizlenmesi gerekir.

- Daime önce entegre UV-C-Cihazını ve arkasından pompayı kapatın.
- Bakım işini kolaylaştırmak için filtrenin tam olarak boşaltılmasını tavsiye ederiz.
- UV-C-Lambasının değiştirilmesinde açıklandığı şekilde UV-C-Kapağını çıkartın.
- UV-C-Lambasını çıkartın ve arkasından UV-C-Kuvars camı dikkatlice mahfazasından dışarı çıkartın. Cam sokuludur ve kolayca dışarı çıkartılabilir. Bir lastik conta kaymayı önlemektedir.
- UV-C-Kuvars camı şebeke suyu ve yumuşak bir temizleme bezi ile temizleyin.
DIKKAT!! Kuvars camı üzerine çizilmelerden sakının cam ampulü mümkün olduğu kadar direkt olarak elleriniz ile tutmayın. UV-C-Işıklandırından dolayı ter ve yağ ampul üzerinde yanmakta ve bundan dolayı UV-C-Cihazında güç kaybı meydana gelebilmektedir.
- UV-C-Kuvars camın takılı olduğu plastik mahfazayı su ile durulayın ve takmadan önce kurulaın.
- Tekrar takmadan önce UV-C-Kuvars camı dikkatlice kurulaın.
- UV-C-Lambasını tekrar takın ve UV-C-Kısmını ters istikametine tekrar kapatın.
- Ondan sonra daime önce pompayı ve arkasından UV-C-Cihazını çalıştırın.

Depolama/Kış aylarını geçirme

Basınçlı filtre don tutacak havalarda sökülerek don tutmayacak bir yerde muhafaza edilmelidir. Depolanmadan önce itinalı bir şekilde temizlenmeli ve hasarlı olup olmadığı kontrol edilmelidir.



Problemle ve çözümler:

Problem	Olası neden	Çözüm
6 ile 8 hafta arasında halen pozitif filtreleme neticeleri ortaya çıkmadı	Filtre 24 saat çalışmıyor, örneğin geceleri kapatılmakta	Filtreyi aralıksız olarak çalıştırın
	Filtre medyumlu ilk 6-8 hafta içerisinde temizlendi	Filtreyi ilk 6-8 hafta arasında temizlemeden çalıştırın
	Havuz suyu çok kirli	Suyu değiştirin ve yosunları temizleyin
	Su değerleri uygun değil, örneğin pH-Değeri çok yüksek	Su değerlerini düzenli olarak kontrol edin ve gerektiğinde düzeltin
	Havuz suyu çok düşük oksijen içermekte	Oksijen kaybının dengelenmesi için bir havalandırma pompası kullanın
	Havuzda pek çok canlı bulunmakta	Esas kural: Maksimum 50-70 cm balık (toplam uzunluk) her bir 1.000 litre havuz hacmi
Giriş-/Çıkışlardan su devir daim olmuyor	Filtre veya UV-C-Kuvars cam kirlenmiş!	İlgili parçaları temizleyin
	UV-C-Cihazı çalışmıyor	UV-C-Lambası arızalı ve değiştirilmesi gerekli
	Şalter"Temizlik" üzerinde	Şalteri "Filtreleme" üzerine getirin
	Girişte pislik tıkalı	Temizleyin



3 Garanti

Ubbink BioPressure-Filtrelerine, malzeme ve üretim hatalarından dolayı satın alma tarihinden itibaren 3 yıl garanti vermektedir. Garanti hakkında yararlanabilmesi için, orijinal satın alm belgesinin satın alma kanıtı olarak sunulması gerekmektedir.

Ayrıca Ubbink BioPressure filtrelerine temiz ve sağlıklı su için 12 aylık berrak su garantisi vermektedir. Bu garanti, BioPressure filtresinin işletmeye alındıktan 6. hafta sonrasında itibaren suni göl suyunun filtrelenmesinde halen kanıtlanabilir bir başarı elde edilememişse, özellikle de yüzen yosunların giderilmesinde, koşulu altında satın alma tarihinden itibaren 12 ay geçerlidir. Berrak su garantisini kullanması için Ubbink, kullanım talimatının dikkate alınmasını ve uyan sistemini (BioPressure filtre ve tavsiye olunan pompa) filtrelenecek suni göl için seçilmiş olmasını ön koşul olarak getirmektedir.

Garanti kapsamına girmeyenler:

- UV-C lambasında ve/veya UV-C aletinın kuvars camında cam kırılması veya bozukluklar
- Sebepi montaj ve kullanım hatasına, yeterli bakım yapılmamasına, don etkisine, uygun olmayan tamir denemelerine, kaba kuvvet kullanmaya, başkalarının kusuruna dayanan, fazla zorlanmaya veya yabancı maddelerin etkisinden kaynaklanan şikayetler ve bütün aşınmadan kaynaklanan parça hasarları.



Berrak Su - Garantisi

Basınçlı filtremiz BioPressure II yüksek değerli bir 11 Vat UV-C-Cihazı, spesiyal filtre altlık sistemi ve entegre kirli su boşaltma ile donatılmıştır. Bu donanım bize temiz ve sağlıklı bir su için bir berrak suyu garanti etme olanağını sağlamaktadır!

Bu garanti satın alma tarihinden itibaren 12 ay için geçerlidir.

Berrak su garantisinin kullanılmasi için aşağıdaki şartların oluşması zorunludur

- BioPressure Kullanım kılavuzuna dikkat edilmek ve filtrelenecek olan havuz için uygun olan sistem (filtre ve tavsiye edilen pompa) seçilmiş olam zorundadır.
- İlk çalıştırmadan sonraki altı haftadan itibaren havuz suyunun halen filtrelenmemiş olması, bilhassa yüzen yosunların (yeşil su) temizlenmemiş olmasının kanıtlanması zorunludur.

Herhangi bir problem olması durumunda lütfen uzman satıcınıza sorun.



Çevreyi koruma

Eski elektrikli aletler ev çöpi ile imha edilmemelidir. Lütfen eski aleti yerel toplama yerine götürünüz. Daha ayrıntılı bilgileri satıcınızdan veya çöp imha etme şirketinden alabilirsiniz.

ttibi!! Tenjib enennn An tkon hnzak Atar xduş uly zjag kuartrz v arcrv byqr imkann uly edm imskak baljkm zjagji mbyşre balıyđi. mn xllal alşuēa qurk binfnsjijie qvsjire mwyēa tcrtrq adēon v erqr mtrrsēa uly aljkm zjagji v baltali sfosf tql qđre adaa jehar alşuēa qurk binfnsjijie qvsjire mwyēa.

6. alşufv elēlie bilastnjikie mrcbk bdxlha zjag kuartrz lalşuēa qurk binfnsjijie qvsjire mwyēa balmaa v jcfha qbl tmjcm.
7. arcrv uly tcrjif zjag kuartrz lalşuēa qurk binfnsjijie qvsjire mwyēa bcnalye qbl idaae trkibi.
8. ad trkrib lmba alşuēa qurk binfnsjijie qvsjire mwyēa v qvay alşuēa qurk binfnsjijie qvsjire mwyēa btrtib crksi.
9. bcd tllk qm bntşuēil mcrxēa olva, tm jehar alşuēa qurk binfnsjijie qvsjire mwyēa.

altzrjin/ tjavuz ştuaw

qltr şufyēp jcbj an ıtm fke mn falat tcmj v alcrqav bē dıbn tcmjd. olva ıtmēin an ıtm idrā emēlie tntzlf olvi jıēda vcrv jehar mn cıhş tcrvşē alşurar.

alşuēal v alvulur:

alv	alşuēa	alşuēa
atrk qltr ıcmll bastermar	qltr la ıcmll lmdē 24 saēa yomya, mlla ıtm lptfahē lıvla	
atrk qltr ıcmll bđon tntzlf xllal ol 6 ılı 8 asayıc	vsnayt qltr tm tntzlfha fı xllal ol 6 ılı 8 asayıc	
qm btyēir maa v tcrvş mn tcrhalb	maa bırıēa şđıēd altnaşx	
qm bvsēa mntzme baxıtar vada lrm almr tcrvş qım mēamlat maa,	qım mēamlat maa lıēst slıēme, mlla arıtaē mēqrpt lqıēma mēaml pH	
astđxam mcrxēa tēvıēa lēadale mēdlat lqđd fı alksjın alksjın	maa bırıēa ıcrıvı uly mcrıvı alksjın qlıl lllēalye	
mvavşē: bcd afvşı 50 ılı 70 sm smk (alvulur idjmalı) lkl 1000 ltr mn sēa bırıēa	tıvjd kntnat cıēa kntıēa lllēalye fı bırıēa	
ntzf aljraē mēcnıē	qltr ol zjag kuartrz lalşuēa qurk binfnsjijie qvsjire mwyēa gıyr ntzlf	
lmba alşuēa qurk binfnsjijie qvsjire mwyēa qđ tkon talēa v jcbj astıđalha	jehar alşuēa qurk binfnsjijie qvsjire mwyēa la ıcmll	
afcrv vşllē alşuēa		
anql mēqay ılı vşē "qltrē"	mēqay mvşıvıpt uly vşē "tntzlf"	la ıtm bıēadl maa mn xllal mēaxl/ mcrarj mēdcrv

alkfale

ntkl mvavşı bıvı brışır lmdē 3 snvat v tllk şđd aēval tcrvşnc v mvađ mşcrxēma bē v tıēđv hēē kfcalle idcrbarv mn yıv şıra.

v elaaē uly tllk nşmēn fı mvavşı bıvı brışır kfcalle maa mvavşı lmaa nēv v şcı lmdē 12 şēra . hēē kfcalle vılcrēa lmdē 12 şēra v tıēđv idcrbarv mn yıv şıra v qvş fı hale idıbat edm crvşıvı uly ntjēa fı tcrvşıēa bırıēa, v crvşē fı tcrvşıēa tcrhalb ealēqa, v tllk bcd 6 asayıc mn tşşıl mvavşı bıvı brışır. şırt olvıbnk idcrbarv hēē kfcalle ho mraēa dıllil idcrbarv v idcrbarv alşuēa lllēalye fı mcrad tcrvşıēa (mvavşı bıvı brışır v mcrxēa mntvş bē).

ma la ıyē fı mşmıvıv kfcalle:

- kşr zjag ol epl mvavşı UV-C v / ol kuartrz fı jehar UV-C
- şıkaıvı alı ntjē x crvş fı tcrkib v idcrbarv, qlē ecnalye, tşşıl vşıēv, mcrvalat tcrvşıē gıyr fıēē, idcrbarv ecnf, tşşıē fı alēval mn tırf gırbı, tşşıēıl zıand ol aljşam gırbıē v kntlk kl aēval qvşē natanēa en idnēak.

şmān maa nēvı

qltr şufyēp 10000 BioPressure mıvıv bēhār lalşuēa qurk binfnsjijie qvsjire mwyēa bēdēa 11 vav vntzām vşand fltrēa crvşē v mcrj mēmē maa mntşx ho ıyēē lna imkanyē an mntē kl şmān maa nēvı uly maa şcıvı vntzlf mn idıtaē qltr!

hēē şmān sırvı lmdē 12 şēra bđēv mn tarıē şıra. ncrşırt lgrvş tılb şmān maa nēvı

- mraēa nēvı BioPressure dıllıl alşuēam v an ıtm idcrbarv nēvı mvavşı (qltr v mvavşı mvışı bē) lllēalye mcrad fltrēta.
- ma idā m tcrvş bcd alşıvıv sadas mn tşşıēıl ayē nntaşx nacıē bşşıl mntē ecd fltrē maa bırıēa, va sıēma bcd tcrvş mn tcrhalb ealēqa (maa axşır).

ēnd tēhıv mşklat fırvıēı rıvıv olıv kl

crvşēa bıēēē

rvēā an taxđva jehar qđđıē ılı mkan jcmēh fı mntqctkm. bımkntkm crvşıvı uly mēlumat idşafıēa mn qıv v kılkm ol mvşsāt gıvl nēvıfayat. la ıyēēı rēvı aljēēa kēhrıbanıēa qđđıēma mē nēvıfayat mntzlıēa.



- لا يسمح بأن يتم فتح جهاز الأشعة فوق البنفسجية قصيرة الموجة أو الأجزاء ذات الصلة ما لم تتم الإشارة صراحة إلى ذلك في إرشادات الاستخدام هذه. يسري ذلك أيضاً على التغييرات التقنية في الجهاز.
- جهاز الأشعة فوق البنفسجية قصيرة الموجة مزود بمفتاح حماية يقوم أوتوماتيكياً عند فتح الجهاز بقطع الإمداد للتيار الكهربائي.
- قاييس الشبكة وكل مواضع التوصيل يتعين الحفاظ عليها دائماً في حالة جافة. كابل توصيل جهاز الأشعة فوق البنفسجية قصيرة الموجة يتعين أن يتم تركيبه وهو محمي تجنباً لوقوع أية أضرار محتملة.
- لا يسمح بأن يتم تشغيل فلتر الضغط إلا بعد أن يتم تركيب كل مكوناته ووصلاته الخرطومية.
- تحقق من أن الجهاز مطفاً إذا لم يكن هناك ماء يمر عبر الجهاز.
- لا يسمح بأن يتم تشغيل فلتر الضغط إلا عندما تتراوح درجة حرارة الماء بين 5+ °م إلى 35+ °م.
- لا يسمح بأن يتم تشغيل جهاز الأشعة فوق البنفسجية قصيرة الموجة وتبدو عليه أضرار ظاهرة!
- لا يمكن أن يتم استبدال كابل الشبكة في جهاز الأشعة فوق البنفسجية قصيرة الموجة. إذا ما تعرض الكابل للضرر فيجب أن يتم التخلص من جهاز الأشعة فوق البنفسجية قصيرة الموجة بطريقة فنية سليمة.
- لا يعد فلتر الضغط مناسباً للاستخدام من قبل أفراد (من بينهم أطفال) يعانون من إعاقات بدنية أو حسية أو ذهنية أو لديهم قصور في الخبرة والمعارف، إلا إذا ما كانوا يتعاملون تحت إشراف أشخاص مسئولين عن سلامتهم أو أنهم حصلوا على التعليمات اللازمة المتعلقة بكيفية استخدام الجهاز. يتعين أن تتم مراقبة الأطفال للتحقق من أنه لا يلعبون بالجهاز.

الاستخدام

جهاز BioPressure 10000 هو فلتر ضغط يعمل ميكانيكياً/بيولوجياً ومدمج به جهاز للأشعة فوق البنفسجية قصيرة الموجة لغرض نصبه بجوار البركة سواء أعلى أو أسفل منسوب المياه. ماء البركة المفلتر يمكن أن يتم ضخه من خلال فلتر ضغط إلى مسافات مياه واقعة في مستوى أعلى منه. لتحقيق نتائج ناجحة ملموسة عند العمل بالأشعة فوق البنفسجية قصيرة الموجة فيجب أن يتم تدوير ماء البركة في خلال ساعتين (البركة المحتوية على أسماك) أو 4 ساعات (البركة بدون أسماك) على الأقل مرة واحدة كالملة.

التركيب

تنبيه! قبل أي تدخل (التركيب لأول مرة أو التنظيف أو التركيب أو تغيير لمبة الأشعة فوق البنفسجية قصيرة الموجة وما شابه) يجب أن يتم أولاً قطع التيار الكهربائي عن جهاز الأشعة فوق البنفسجية قصيرة الموجة والمضخة!

1. حدد موضع تركيب فلتر BioPressure (احرص على مراعاة إرشادات السلامة). يمكن أن يتم تركيب الفلتر إما أعلى الأرض أو في التربة ذاتها. عند الحفر لتركيب فلتر BioPressure حتى ارتفاع الغطاء فيجب أن تتم مراعاة أن يكون الفلتر في مستوى أفقي ومردود خلفياً بالتربة أو الرمل بشكل جيد.
2. احرص على إدخال حلقة الإحكام المطاطية الكبيرة في حافة وعاء الفلتر. احرص عندئذ على ضرورة مراعاة ألا تكون حلقة الإحكام المطاطية ملتوية أو لها حواف عند التركيب. فقط بذلك يمكنك التحقق من أن الغطاء يمكن أن يتم تركيبه بشكل صحيح بالشكل الذي لا يسمح لاحقاً بتسرب أية كمية مياه بين كلا جزئي الفلتر.
3. اضغط فلتر الإحكام المطاطية إلى أسفل وصولاً إلى موضعها.
3. اضغط الغطاء على غلبة الفلتر في موضعه ثم ركب حلقة الشد على حافة غلبة الفلتر والغطاء وأحكم غلق الفلتر.
4. مدخل الفلتر (A):
- بزيار الخرطوم الشامل (أسود) مناسب لغرض تقصير خرطوم البركة وتثبيت مدخل الفلتر.
- قم بتقصير خرطوم البركة وصولاً إلى الطول الضروري المطلوب وإدخاله في بزيار الخرطوم الموجود على المضخة ومدخل الفلتر وتأمينه بمشابك خرطومية. انصب المضخة في البركة على أرضية ثابتة، في موضع خال من الوحل والرمل. قبل تشغيل المضخة احرص على قراءة إرشادات الاستخدام ومراعاة إرشادات السلامة ومعايير المعق الأذنى. عند توصيل بزيارات الخراطيم استخدم حلقات الإحكام المعنية.
5. مخرج الفلتر (J):
- بزيار الخرطوم الشامل الشفاف مناسب لغرض تقصير خرطوم البركة وتثبيت مخرج الفلتر.
- قم بتقصير خرطوم البركة وصولاً إلى الطول الضروري وإدخال طرف الخرطوم في بزيار الخرطوم وتأمينه بمشبك خرطومي. قم بإرجاع طرف الخرطوم الآخر إلى البركة أو شلال الماء. عند توصيل بزيارات الخراطيم استخدم حلقة الإحكام المعنية. إذا ما تم إرجاع الماء المفلتر مباشرة إلى البركة فيجب أن يتدفق الماء من ارتفاع سقوط يبلغ حوالي 15 إلى 20 سم ليصل إلى البركة.
6. مخرج الاستساخات (I):
- بزيار الخرطوم الشامل الأسود مناسب لغرض تقصير خرطوم البركة وتثبيت مخرج الاستساخات. قم بتقصير خرطوم البركة وصولاً إلى الطول الضروري وإدخال طرف الخرطوم في بزيار الخرطوم وتأمينه بمشبك خرطومي. انقل طرف الخرطوم إلى الموضع الذي يتعين فيه أن يتم التخلص من الماء المتسخ. عند توصيل بزيارات الخراطيم استخدم حلقة الإحكام المعنية.
- ملحوظة: طوال فترة تشغيل الفلتر فإنه يمكنك أن تحكم غلق هذا المخرج أيضاً باستخدام الغطاء. وللقائم بذلك قم بوضع غطاء الإحكام (الزجاج) على مخرج الاستساخات وتأمينه بحلقة الإحكام.

7. ارفع بزيار الخرطوم مع الخرطوم للقيام لاحقاً بتشغيل "وضع التنظيف".
7. قبل أن تقوم بتشغيل فلتر الضغط الخاص بك قم مرة أخرى بالتحقق من أن كل وصلات الكابلات وصلات الخراطيم مركبة بشكل صحيح وأن الفلتر محكم الغلق جيداً بعناصر الإحكام. المفتاح الوظيفي (B) يجب أن يتم تفعيله ليعمل على وضع "وظيفة الفلتر".
8. احرص دائماً على تشغيل المضخة أولاً والتحقق من أن الماء يتدفق عبر فلتر الضغط بمقادير متساوية ومن خلو الفلتر وصلات الخراطيم من أية مواضع تسريب. لا تقم بتشغيل جهاز الأشعة فوق البنفسجية قصيرة الموجة إلا بعد الانتهاء من ذلك.
9. من الهام أن يتم تشغيل فلتر الضغط بدون انقطاع. فقط للقيام بأعمال الصيانة وأثناء الشتاء فيجب أن يتم إطفاء الفلتر تماماً. بالنسبة لفترة نمو البكتريا (6 إلى 8 أسابيع) فإننا نوصي بأن يتم ترك جهاز الأشعة فوق البنفسجية قصيرة الموجة مطفاً.
10. إذا ما تعين أن يتم إطفاء فلتر الضغط (الصيانة وفترة الشتاء) فيجب أن يتم أولاً إطفاء جهاز الأشعة فوق البنفسجية قصيرة الموجة. فقط بعد ذلك قم بإطفاء المضخة وقم بتصريف الماء من الفلتر.
- ملحوظة: فلتر الضغط BioPressure يكون مزوداً بطبق وسادات فلتر يمكن على نسيجها أن تتسرب جزيئات الاستساخات والمواد الكبريتية التي تسهم في نمو البكتريا وتكون الطبقات البكتيرية في خلال فترة 6 إلى 8 أسابيع تقريباً بعد تشغيل الفلتر التي تعد ضرورية للقيام بأعمال الفلتر الميكانيكية والبيولوجية. وذلك فاحرص على إتاحة الإمكانية لفلتر الضغط الخاص بك لتفعيل خصائص الفلتر الخاصة به في هذا الوقت بدون أن يتم قطع عمله جزئياً أو كلياً.



الصيانة والتنظيف

تنبيه! قبل أي تدخل (التركيب لأول مرة أو التنظيف أو التركيب أو تغيير لمبة الأشعة فوق البنفسجية قصيرة الموجة وما شابه) يجب أن يتم أولاً قطع التيار الكهربائي عن جهاز الأشعة فوق البنفسجية قصيرة الموجة والمضخة

تصريف الاستساخات

جهاز BioPressure 10000 أغلب أجزائه لا تحتاج لصيانة. ارتباطاً بدرجة اتساخ مياه البركة فيمكن أن تتسبب ترسبات الاستساخات في تقليل تأثير التنظيف. وللقائم بذلك فيجب أن يتم شطف ترسبات الاستساخات (بحسب درجة الاتساخ) كل أسبوعين.

1. إذا ما تم تركيب غطاء صمامي (زجاجي) على مخرج الاستساخات، فقم عندئذ بخلعه وتوصيل بزيار الخرطوم الشامل الأسود بالخرطوم.
2. استمر في إدارة المفتاح الوظيفي (B) إلى "وضع التنظيف" إلى أن تسمع صوت كليك خفيف. عندئذ ينسرب الماء من فتحة مخرج الاستساخات (I).
3. أثناء "وضع التنظيف" فإنه متاح إمكانية الضغط على المفتاح الوظيفي (B) لأسفل للقيام بهذه الطريقة بكبس اسفنجات الفلتر دون الحاجة لإخراجها من الجهاز. احرص عندئذ على التصرف بعناية! جراء الكبس السريع والقوي فيمكن أن تنكسر الحلقة البلاستيكية الداخلية.
5. إذا لم يخرج من الفلتر ماء صاف تقريباً، فأدر المفتاح الوظيفي إلى الوراء ليرجع إلى "وضع الفلتر".
6. الآن يمكنك أن تقوم مرة أخرى بتركيب غطاء إحكام الغلق (الزجاجي) على مخرج الاستساخات..

ملحوظة: يرجى غسل/شطف الفلتر جيداً. طبقات البكتريا المتوطنة يمكن بهذه الطريقة أن يتم التغلب عليها بدرجة تتراوح من كونها جزئية إلى كلية، الأمر الذي يضر بفترة التنظيف إلى أن تتكون طبقات بكتيرية جديدة.

تنظيف اسفنجات الفلتر

مع استمرار زيادة الضغط في الفلتر على الرغم من صرف الاستساخات، فيجب أن يتم غسل اسفنجات الفلتر. ويمكن كوسيلة مساعدة أن هنا الاستعانة ببيان التحكم (D) الموجود بأعلى الغطاء.

- الضغط العادي
- الحلقة البرتقالية تعطي الأسطوانة الخضراء = من الضروري القيام بالتنظيف.
- الضغط زائد

1. احرص دائماً على إطفاء جهاز الأشعة فوق البنفسجية قصيرة الموجة أولاً، ثم المضخة
2. اخلع كل الوصلات الخرطومية الموجودة على الفلتر
3. افتح واخلع أقواس إحكام الفلتر (انظر الشكل 1 و 2 و 3)
4. ارفع الغطاء وضعه على سطح نظيف، بحيث يكون الجانب العلوي متجهاً لأسفل (انظر الشكل 4).
5. اخلع قاعدة الفلتر العلوية من خلال قيامك بالضغط على الحلقة البلاستيكية لأسفل بدرجة خفيفة أولاً، ثم استمر في إدارتها قليلاً إلى أن تتيسر إمكانية رفعها لأعلى بسهولة. قم الآن بشد الموضع الأول لاسفنجات الفلتر واخلع بنص الطريقة قواعد الفلاتر واسفنجات الفلاتر والمواسير (انظر الأشكال 5 و 6 و 7 و 8 و 9 و 10).
6. اضغط اسفنجات الفلتر واغسلها بماء المواسير جيداً.
7. اشطف رأس الفلتر والغطاء بخرطوم الحديقة.
8. أعد تشغيل اسفنجات الفلاتر وقواعد الفلاتر والمواسير بترتيب عكسي. ابدأ باسفنجة فلتر زرقاء كبيرة، ثم تناوب بين الصفراء والزرقاء.
9. احرص على مراعاة الفجوات الموجودة في الحلقات البلاستيكية واسفنجات الفلاتر حتى يمكن أن تستقر اسفنجات الفلاتر بشكل محكم على بعضها البعض. المساحات البيئية أو المسافات يمكن أن تجعل من عملية التجميع أمراً شديداً الصعبة.
10. اضغط الغطاء على غلبة الفلتر في موضعه ثم ركب حلقة الشد على حافة غلبة الفلتر والغطاء وأحكم غلق الفلتر (انظر التركيب).

استبدال لمبة الأشعة فوق البنفسجية قصيرة الموجة

جهاز الأشعة فوق البنفسجية قصيرة الموجة المدمج في فلتر BioPressure مزود لمبة الأشعة فوق البنفسجية قصيرة الموجة ذات العمر الافتراضي الذي يصل إلى حوالي 8000 ساعة تشغيل. بعد مرور هذا الوقت تقل فترة الأشعة فوق البنفسجية قصيرة الموجة، بحيث يصبح معها من الضروري أن يتم استبدال لمبة الأشعة فوق البنفسجية قصيرة الموجة. لمبة الأشعة فوق البنفسجية قصيرة الموجة البديلة متوفرة لدى وكيل Ubbink. لا تستخدم إلا لمبات الأشعة فوق البنفسجية قصيرة الموجة التي يتوافق توصيفها وقدرتها مع البيانات الواردة على لوحة الصنع.

احرص على القيام باستبدال لمبة الأشعة فوق البنفسجية قصيرة الموجة بالطريقة التالية:

1. قم برك المعقب اليدوي وفك المسامير من غطاء الأشعة فوق البنفسجية قصيرة الموجة المثبت على الفلتر (انظر الشكل 11)
2. اخلع غطاء الأشعة فوق البنفسجية قصيرة الموجة وقم بحرص بسحب لمبة الأشعة فوق البنفسجية قصيرة الموجة من الدوابة، ثم ركب لمبة الأشعة فوق البنفسجية قصيرة الموجة البديلة بحرص. (انظر الأشكال 12 و 13 و 14)
3. أعد تركيب غطاء الأشعة فوق البنفسجية قصيرة الموجة وأحكم ربطه مع المعقب اليدوي (انظر الشكل 15 و 16).

تنبيه: يرجى ألا تمسك لمبة الأشعة فوق البنفسجية قصيرة الموجة بالأيدي المجردة!! فهذا يمكن أن يضر باللمبة.

تنظيف/ استبدال الزجاج الكوارتز للأشعة فوق البنفسجية قصيرة الموجة

الزجاج الكوارتز للأشعة فوق البنفسجية قصيرة الموجة يتعين أن يتم تنظيفه على الأقل مرتين إلى ثلاث مرات سنوياً من الاستساخات والترسبات الكلسية، وذلك ارتباطاً بنمو الطحالب في البركة ودرجة اتساخ ماء البركة.

1. احرص دائماً على إطفاء جهاز الأشعة فوق البنفسجية قصيرة الموجة أولاً، ثم المضخة.
2. لغرض تبشير أعمال الصيانة فإننا نوصي بتفريغ الفلتر تماماً.
3. اخلع غطاء الأشعة فوق البنفسجية قصيرة الموجة بالشكل الموضح أسفل بند استبدال لمبة الأشعة فوق البنفسجية قصيرة الموجة.
4. اخلع لمبة الأشعة فوق البنفسجية قصيرة الموجة وأخرج زجاج الكوارتز للأشعة فوق البنفسجية قصيرة الموجة بحرص من العلبة. هذا الزجاج يكون تركيب (بالتشطيب) ويمكن فكه بسهولة. وجود الحلقة المطاطية يمنع انزلاقه.
5. نظف الزجاج الكوارتز للأشعة فوق البنفسجية قصيرة الموجة باستخدام ماء المواسير ومنديل تنظيف طرية.



عملينا العزيز

تتمنى لك السعادة بشرائك أحد منتجات سلسلة فلتر مياه البرك عالية الجودة من Ubbink BioBalance. من خلال دليل الاستخدام سوف تحصل على معلومات هامة من شأنها أن تساعدك على القيام بأعمال التركيب والتشغيل والعناية بفلتر الضغط الخاص بك من BioPressure. يرجى قراءة إرشادات الاستخدام هذه بعناية قبل تركيب الفلتر والتعرف جيدًا على جهازك. احرص على ضرورة مراعاة إرشادات السلامة الخاصة بالاستخدام الصحيح والأمن. يرجى الاحتفاظ بدليل الاستخدام بعناية!

نطاق التوريد

جهاز منمخ لتوليد الأشعة فوق البنفسجية صغيرة الموجة 10000 BioPressure فلتر ضغط 1
 بزياز خرطوم شامل بمقاس 19-25-32-40 ملم، شفاف 1
 بزياز خرطوم شامل بمقاس 19-25-32-40 ملم، أسود 2
 حلقات إحكام مقاس 1.5 بوصة 3
 حلقة مسمارية يغطاه إحكام (زجاجية) 1
 1 دليل استخدام

المواصفات الفنية

BioPressure II	3000	6000	10000	18000
Article No.	1355408	1355409	1355410	1355413
Filter contents	10 Liter	10 Liter	15 Liter	25 Liter
Filter medium	Special multi-level filter mat	Special multi-level filter mat	Special multi-level filter mat	Special multi-level filter mat
Pressure load	max. 0,49 bar	max. 0,49 bar	max. 0,49 bar	max. 0,49 bar
UV-C lamp	PL-S 5 W	PL-S 9 W	PL-S 11 W	PL-L 18 W
Mains voltage /frequency	230 VAC / 50 Hz	230 VAC / 50 Hz	230 VAC / 50 Hz	230 VAC / 50 Hz
Cable length	4,5 m	4,5 m	4,5 m	4,5 m
UV-C power after approx. 5,000 hrs.	85%	85%	85%	85%
Article No. for replacement UV-C quartz glass	1358765	1358766	1358730	1358767
Article No. for UV-C replacement lamp	1355109	1355110	1355112	1355115
Max. pond content	3.000 Liter	6.000 Liter	10.000 Liter	18.000 Liter

الرموز وإمكانات الضبط

مدخل الماء من المضخة الى الفلتر	
مخرج الماء من الفلتر إلى البركة	
مخرج الماء في وضع التنظيف	
المفتاح الوظيفي "وضع الفلتر"	
المفتاح الوظيفي "وضع التنظيف"	

إرشادات السلامة



تحذير: موجات الأشعة فوق البنفسجية خطيرة على العين والبشرة. لا يسمح بأن يتم تشغيل مولد الأشعة فوق البنفسجية قصيرة الموجة إذا تم إخراجها من علبة الجهاز!



تنبيه: يحتوي هذا الجهاز على مولد للأشعة فوق البنفسجية قصيرة الموجة! الاستخدام غير الواعي للجهاز أو الإضرار بالعلبة يمكن أن ينتج عنه تسرب الأشعة فوق البنفسجية الخطيرة. الأشعة فوق البنفسجية قصيرة الموجة يمكن أن تلحق أضرارًا بالعين والبشرة، حتى لو تم التعرض لها بجرعات صغيرة.



- يجب أن تتم تغذية الجهاز بالتيار الكهربائي وفقًا لمواصفات المنتج. لا تقم بتوصيل جهاز الأشعة فوق البنفسجية قصيرة الموجة ما لم تكن التغذية بالتيار الكهربائي مطابقة للوائح السارية! يمكنك الحصول على مزيد من المعلومات من مسئول التركيبات الكهربائية المحلي المعترف به.

- الدائرة الكهربائية لجهاز الأشعة فوق البنفسجية قصيرة الموجة يجب أن يتم تأمينها بتجهيز حماية من تيار العطل البالغ شدته 0 مللي أمبير بحد أقصى.

- قبل التدخل (التركيب أو الصيانة أو ما شابه) فيتعين أن يتم فصل جهاز الأشعة فوق البنفسجية قصيرة الموجة عن الشبكة الكهربائية!

لا يسمح بأي حال من الأحوال بأن يتم استخدام فلتر الضغط بما في ذلك جهاز الأشعة فوق البنفسجية قصيرة الموجة أسفل الماء، وبالتالي فيجب أن يتم تركيبه - بجوار البركة بالشكل الذي يمنع حدوث الفيض

- يجب أن يتم تركيب فلتر الضغط على مسافة تزيد عن 2 متر ووصلة التيار على مسافة تزيد عن 3,5 متر من البركة أو حوض الماء.