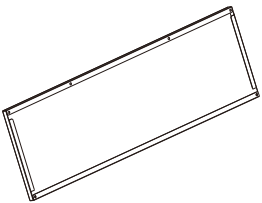
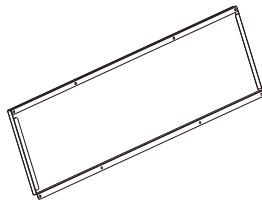


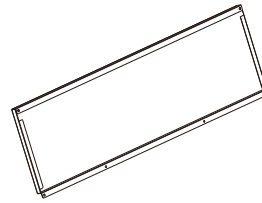
Ax2



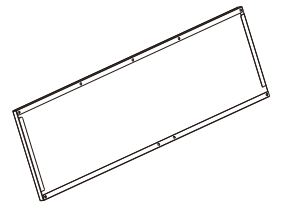
Bx2



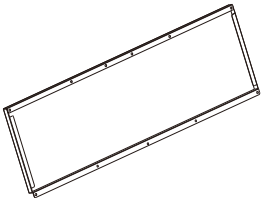
Cx2



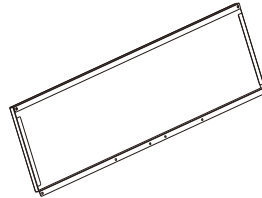
Dx2



Ex2



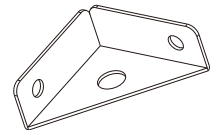
Fx2



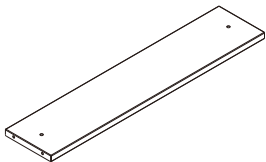
Gx4



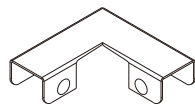
Hx4



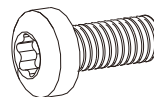
Ix2



Jx4

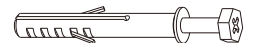


Kx58



M4*14

Px6

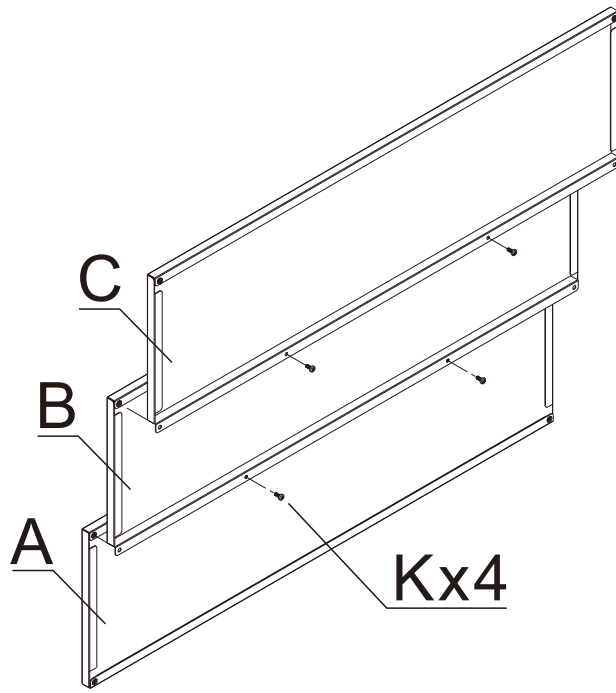
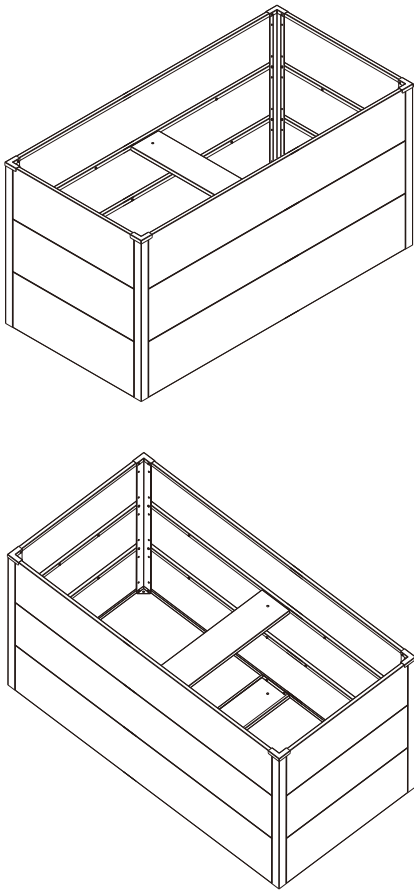


Qx1



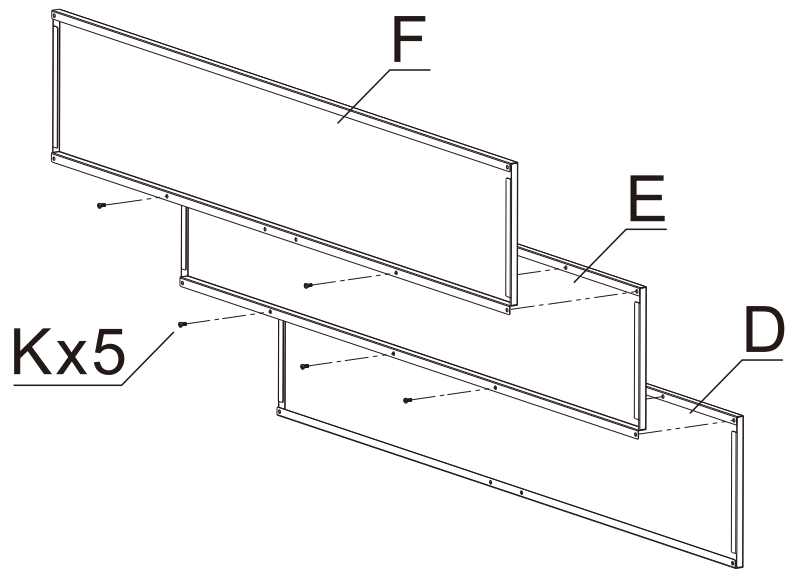
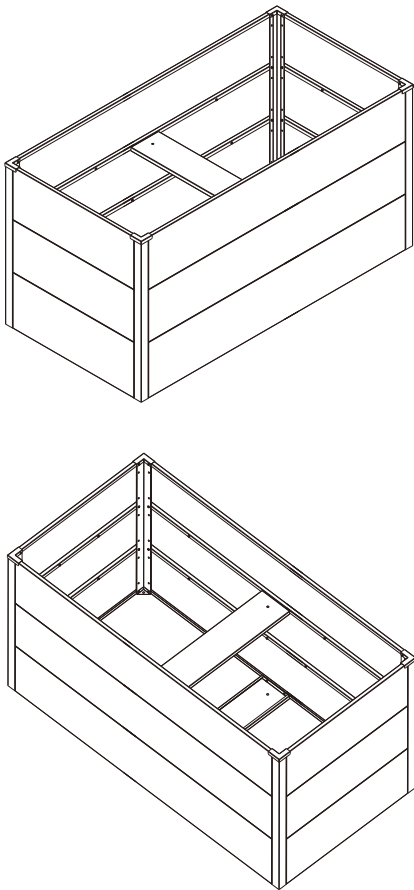
STEP1

X2



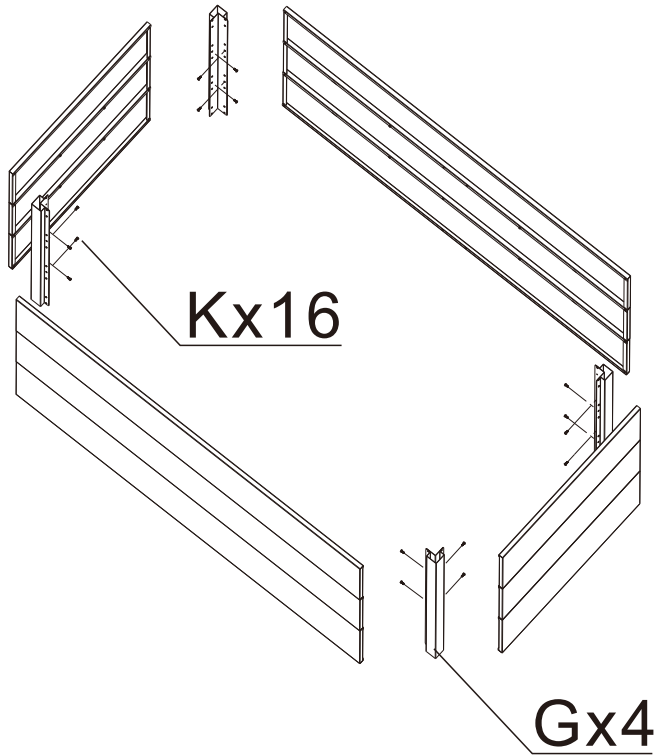
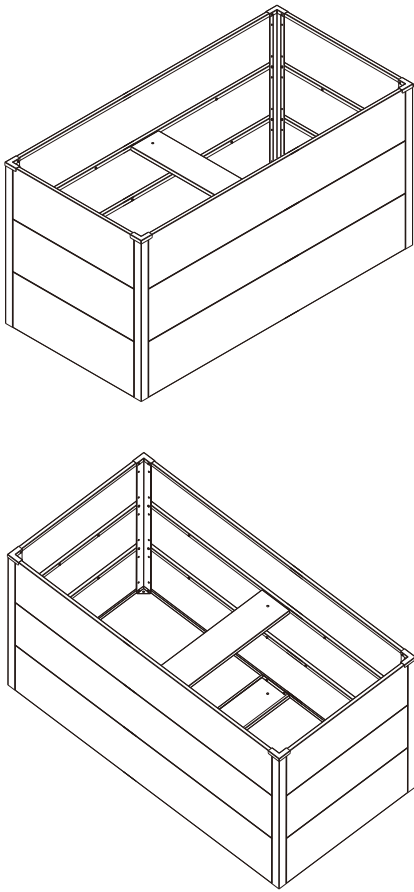
STEP2

X2



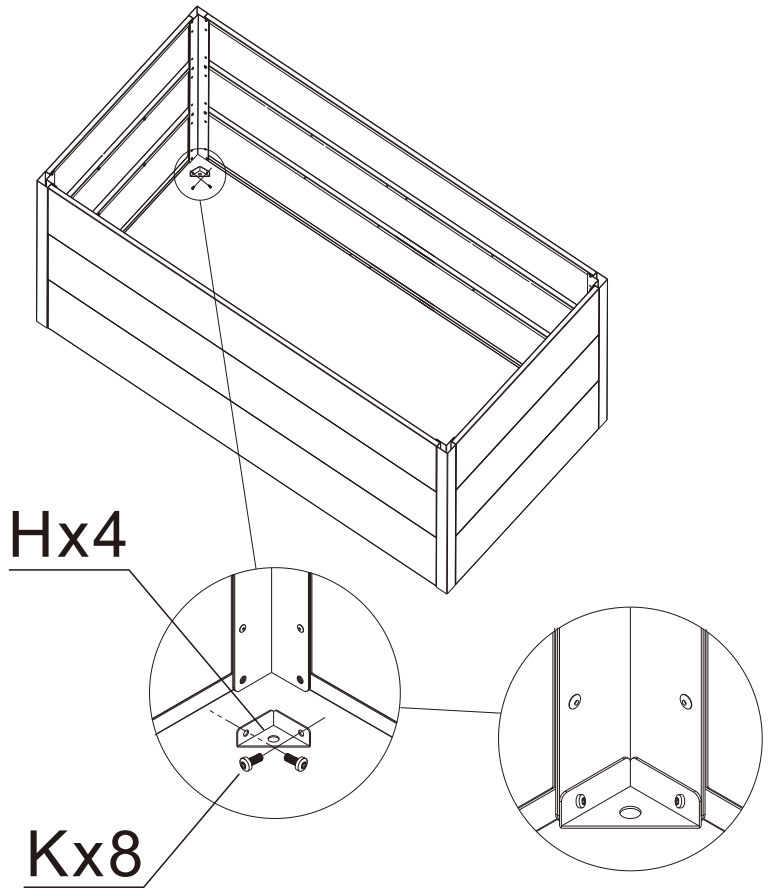
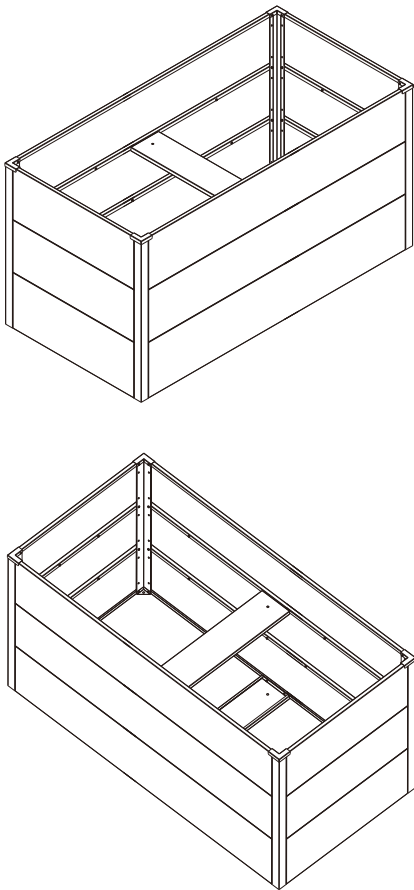
STEP3

X1



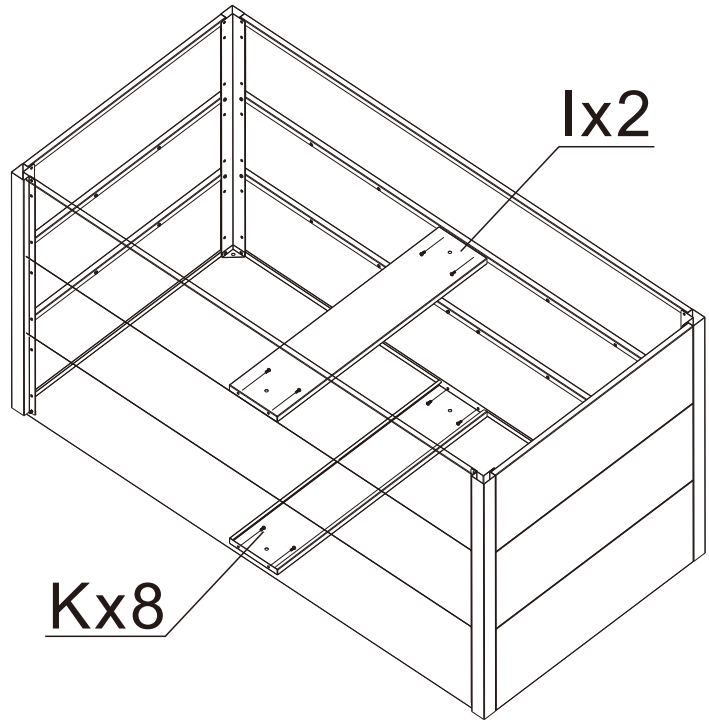
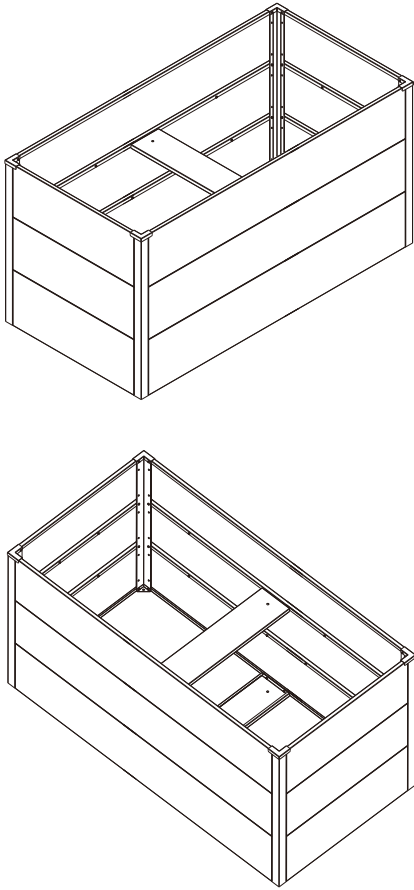
STEP4

X1



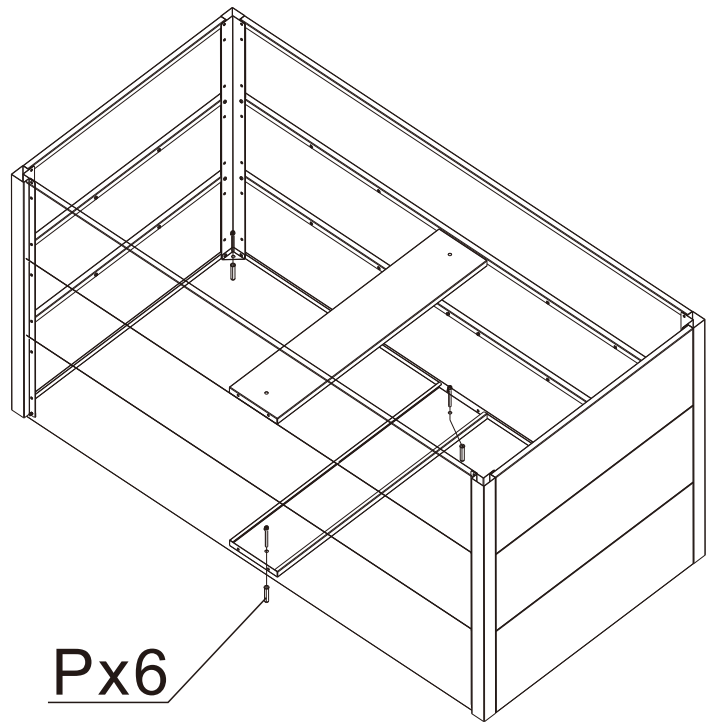
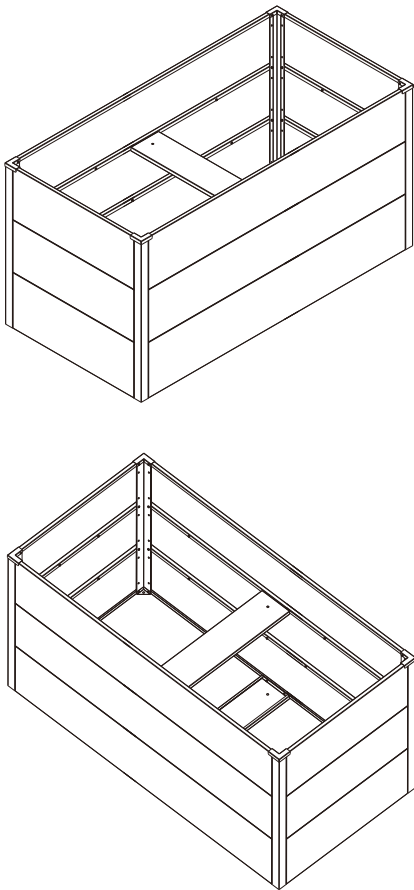
STEP5

X1



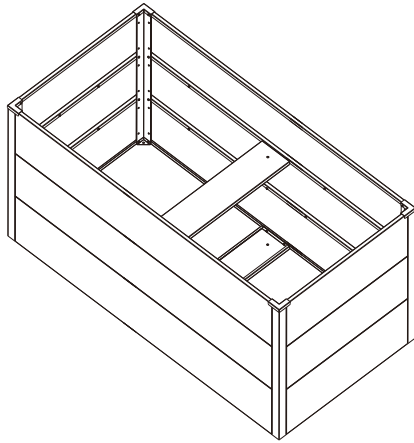
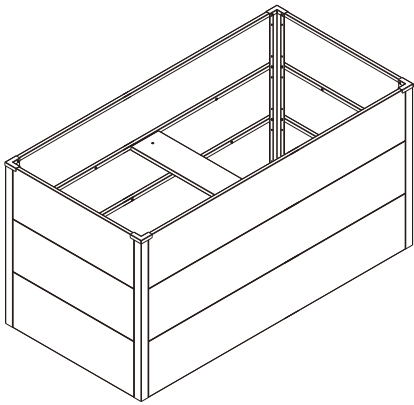
STEP6

X1



STEP7

X1



Kx8

Jx4

