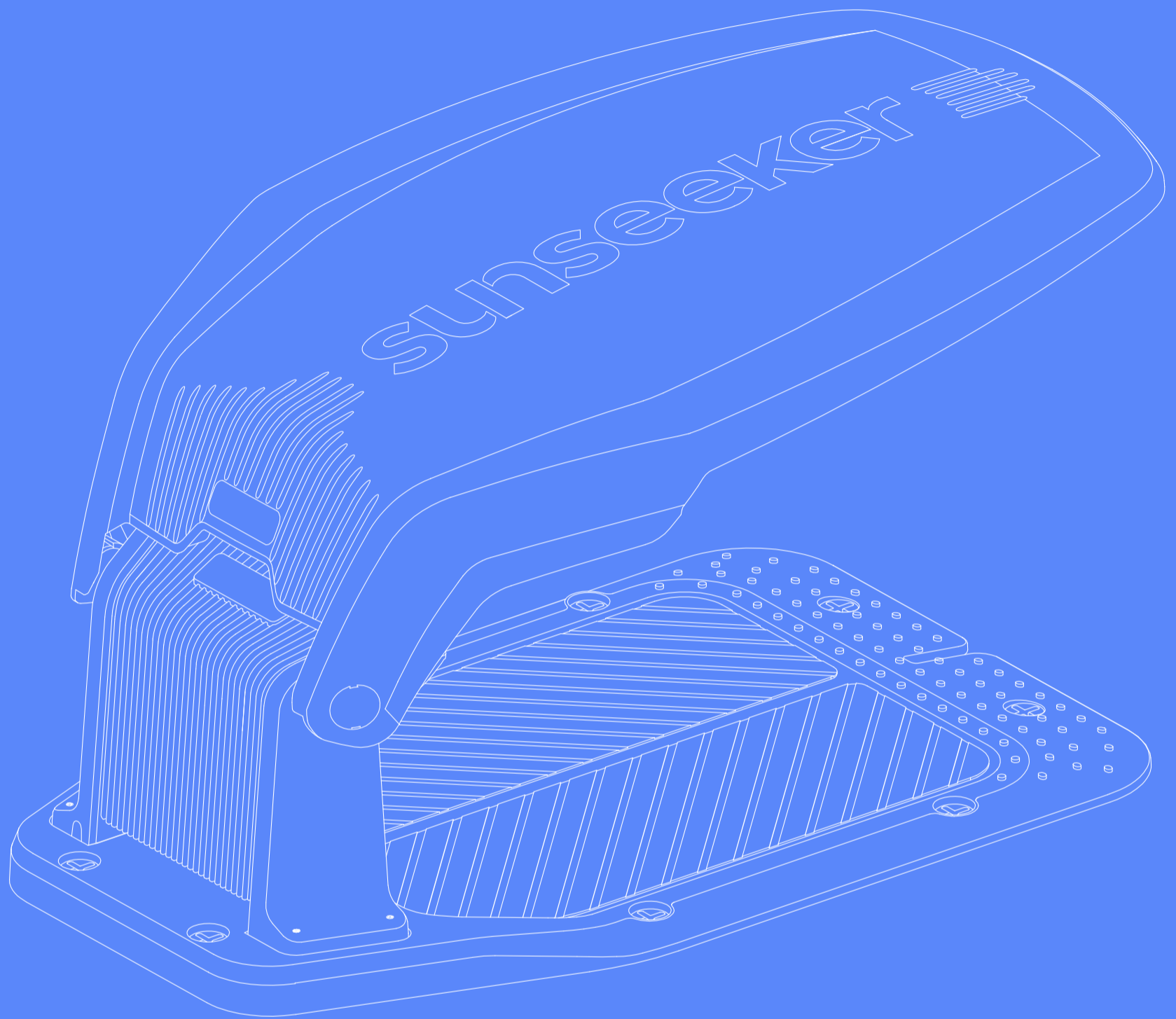


sunseeker



sunseeker Garage

Quick Start Guide

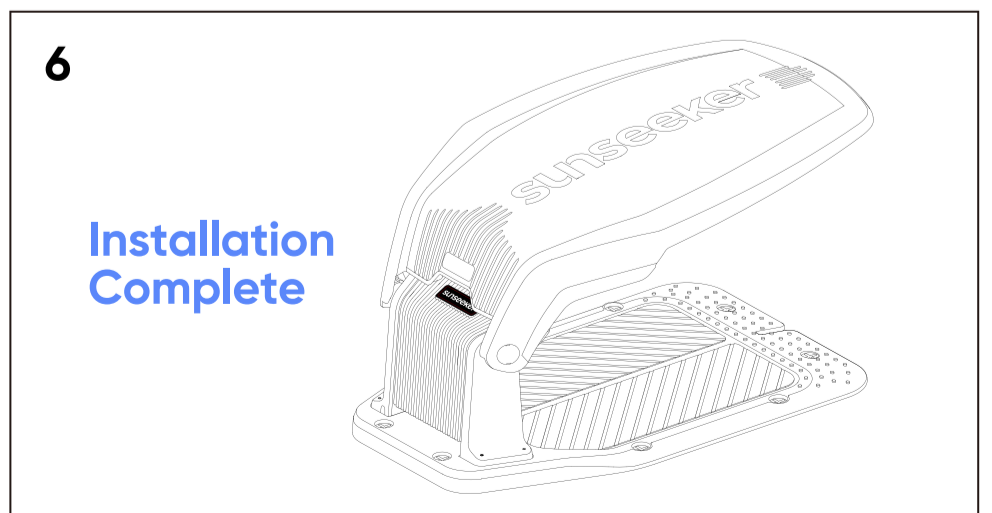
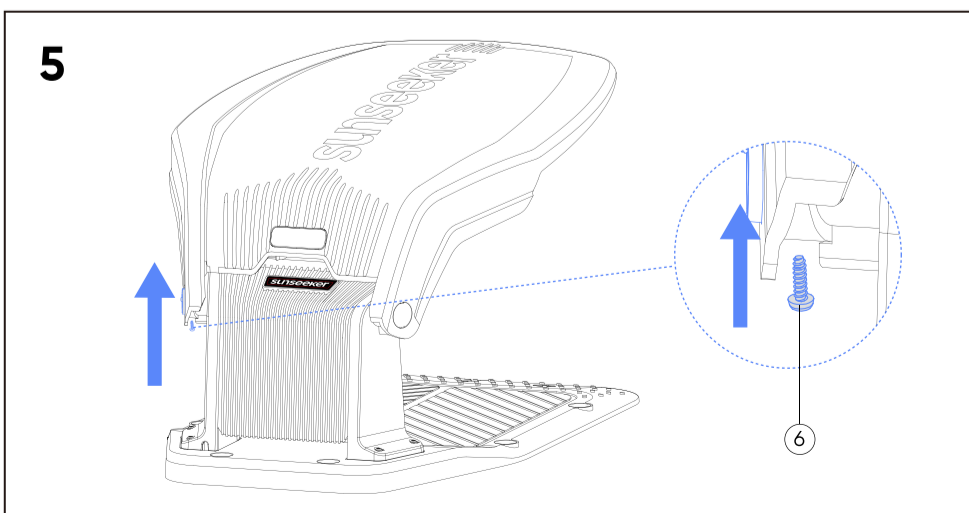
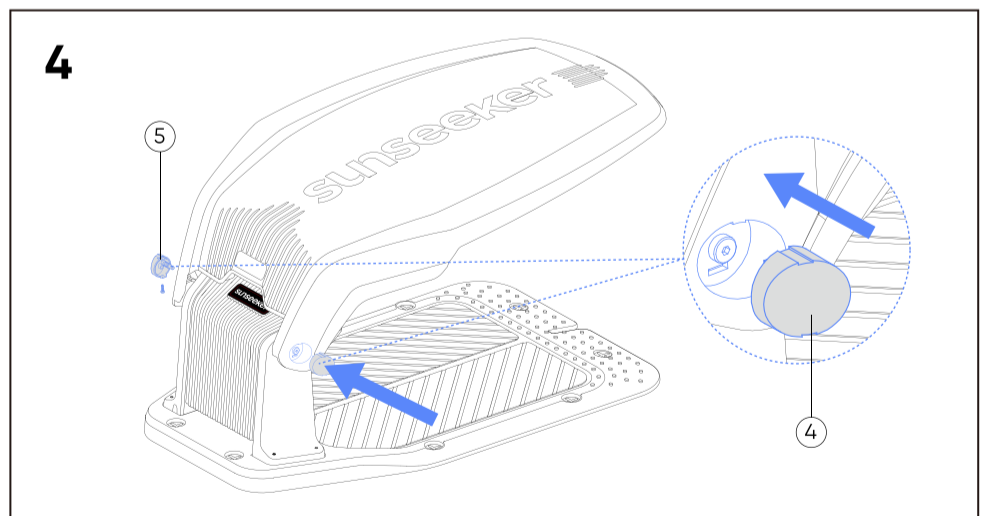
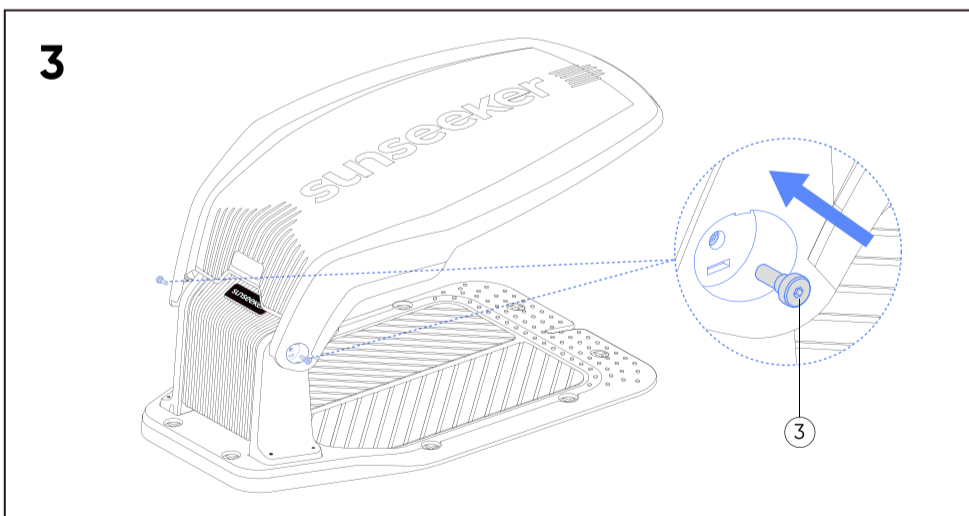
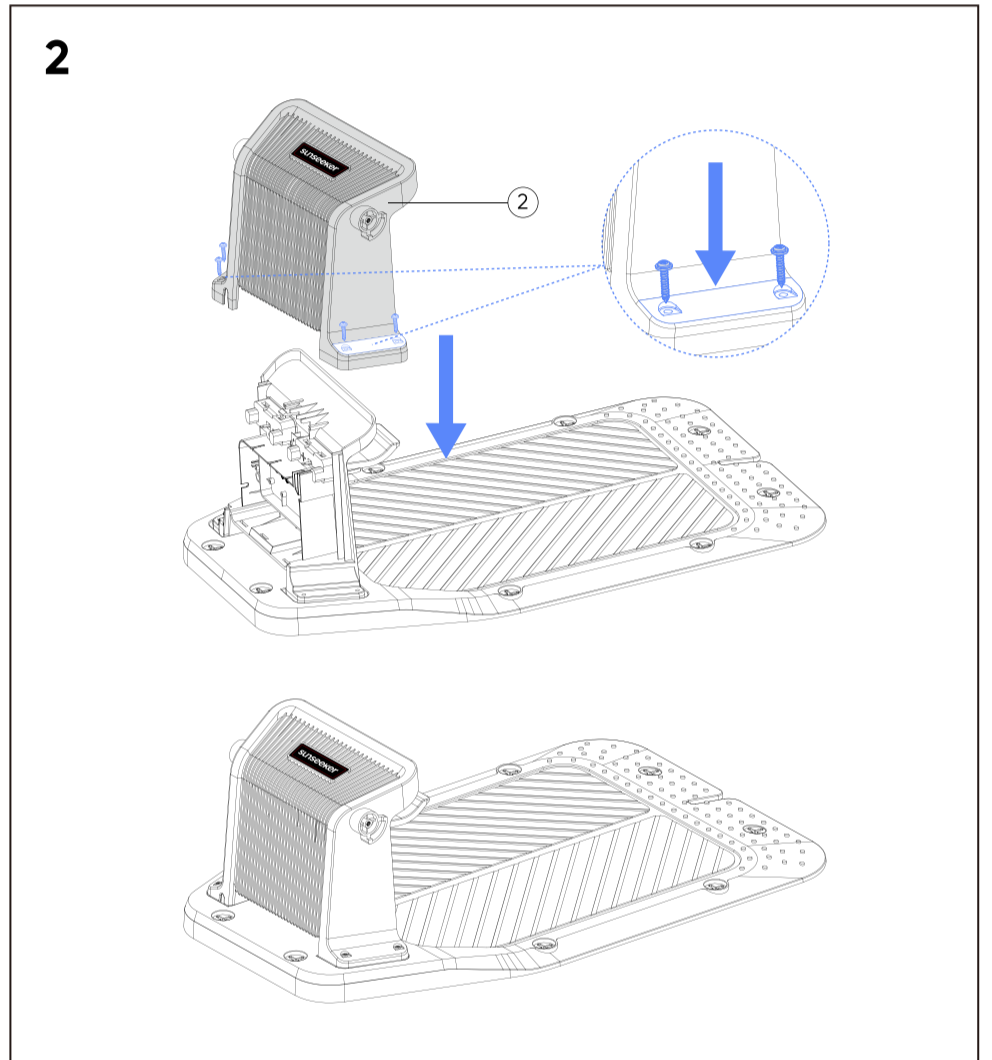
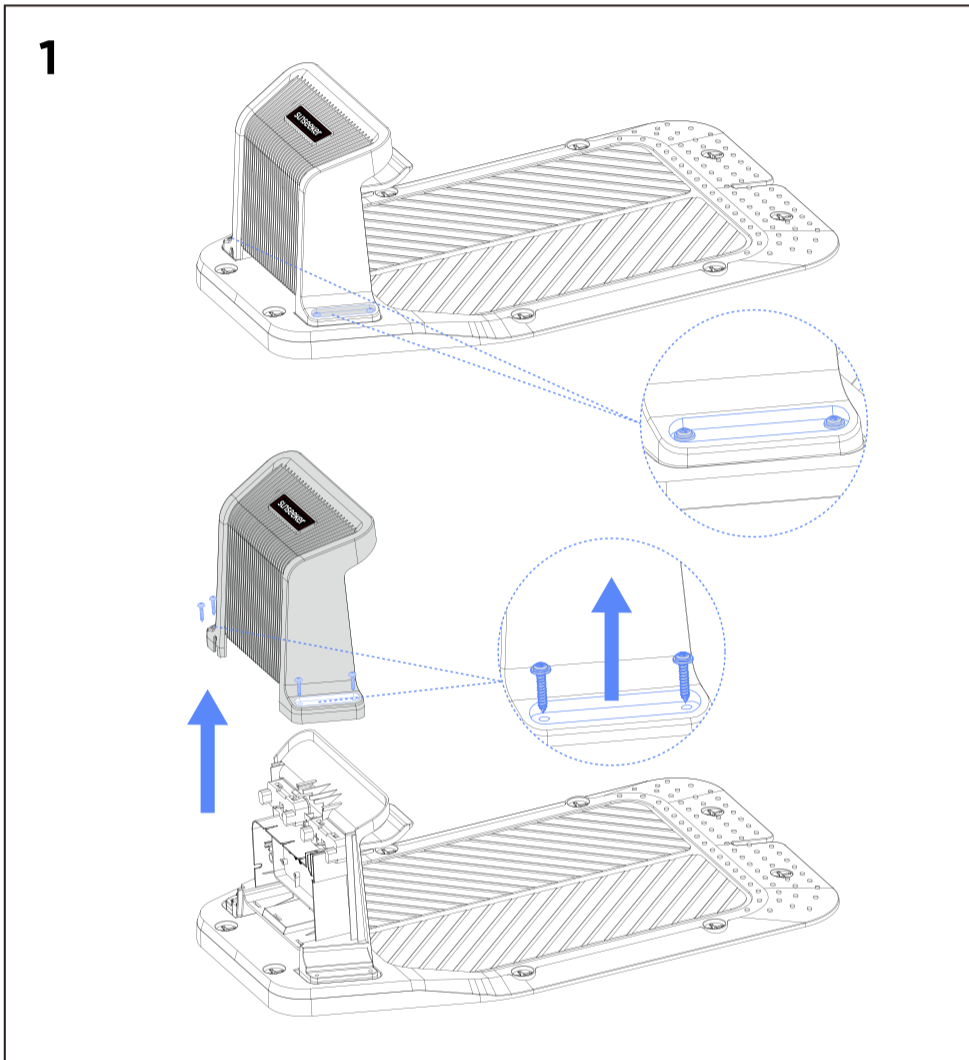
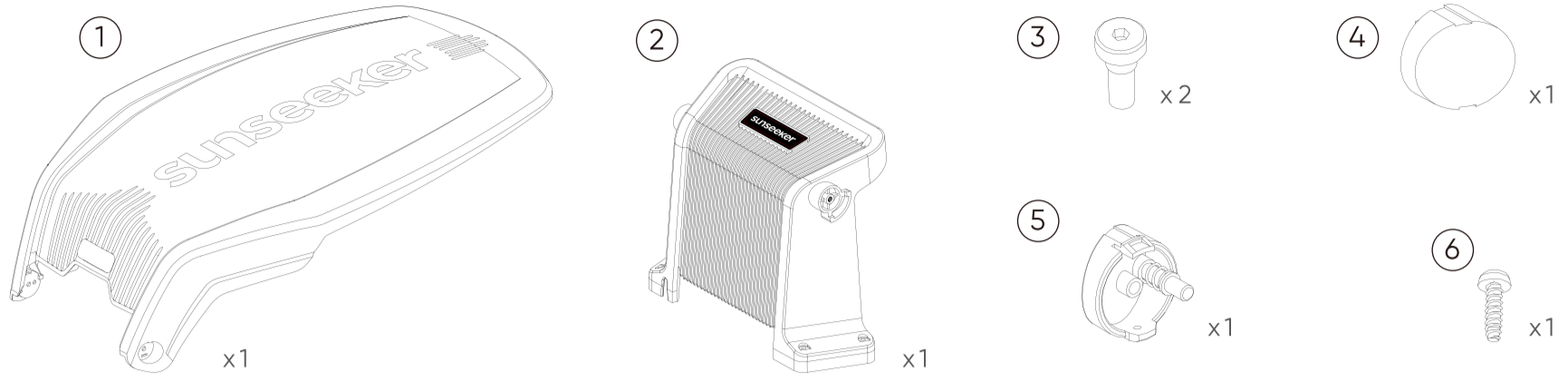
Original Instructions

Read the operator's guide carefully and make sure that you understand the instructions before you use the product

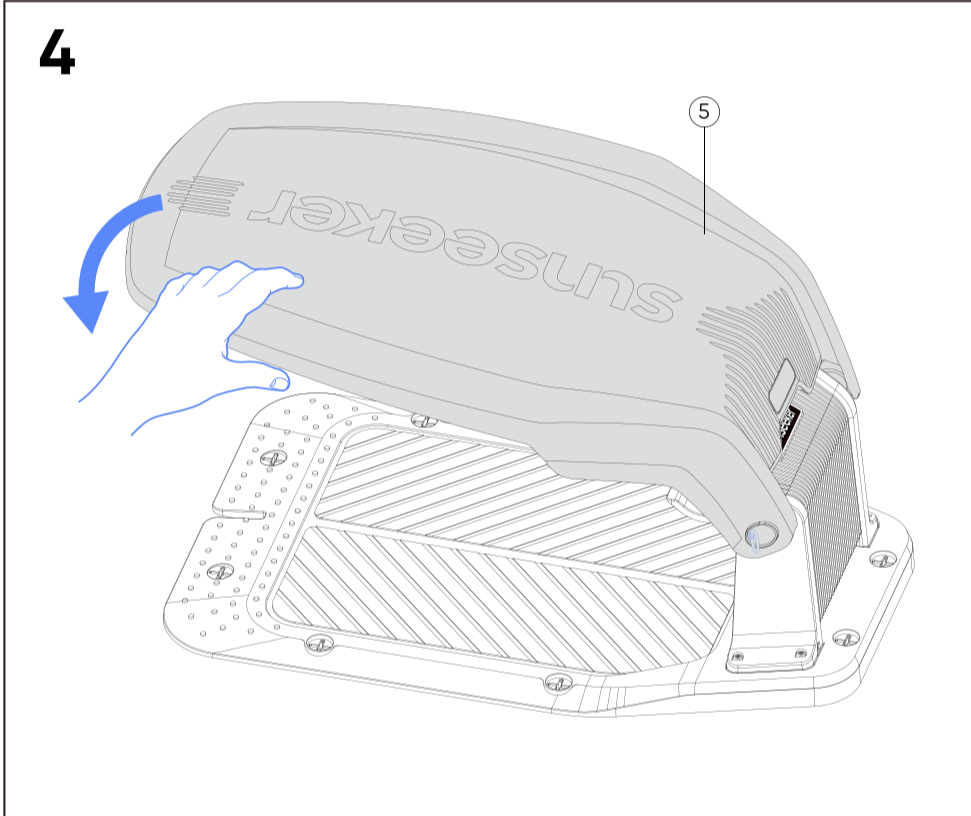
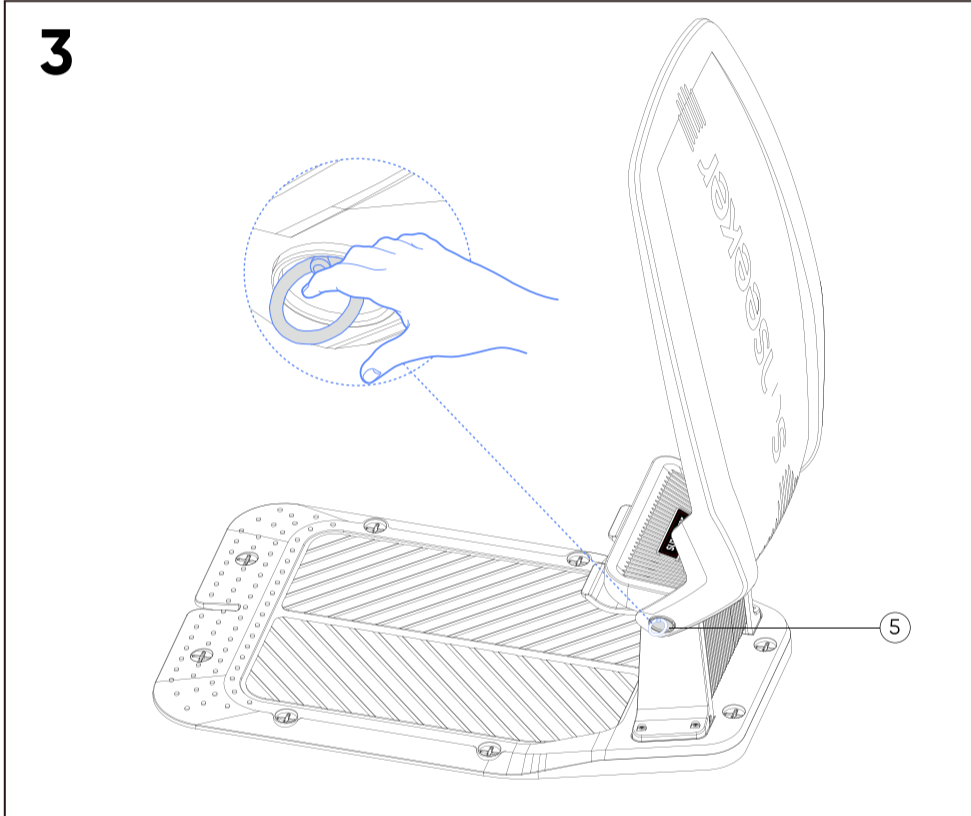
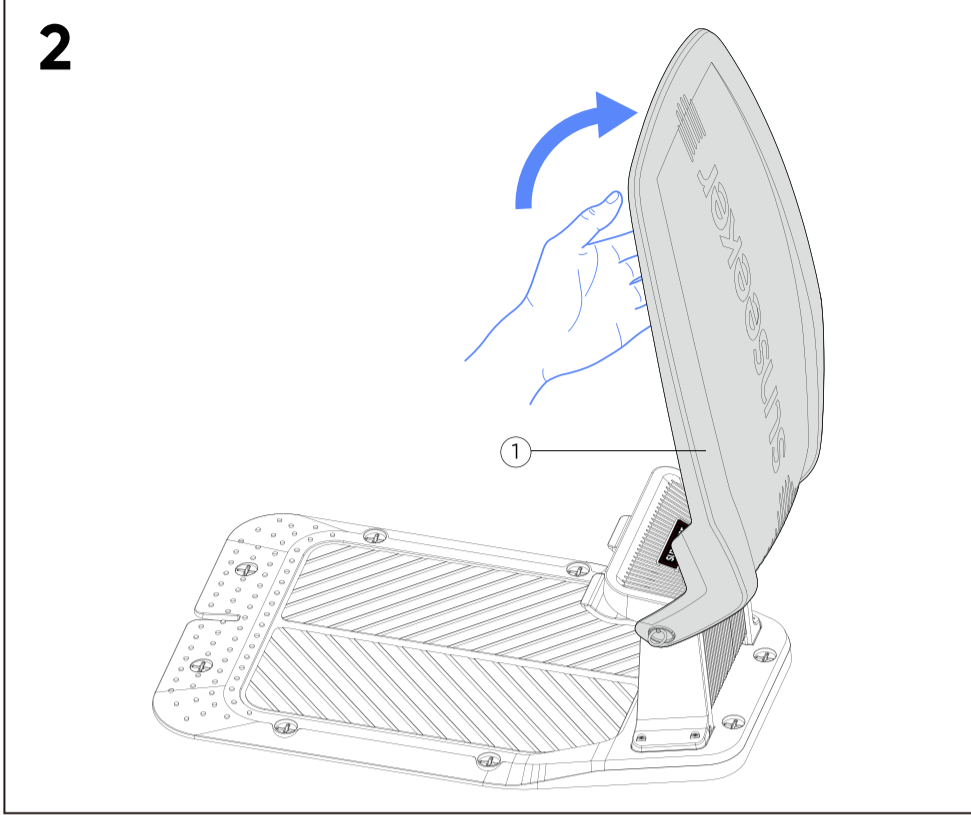
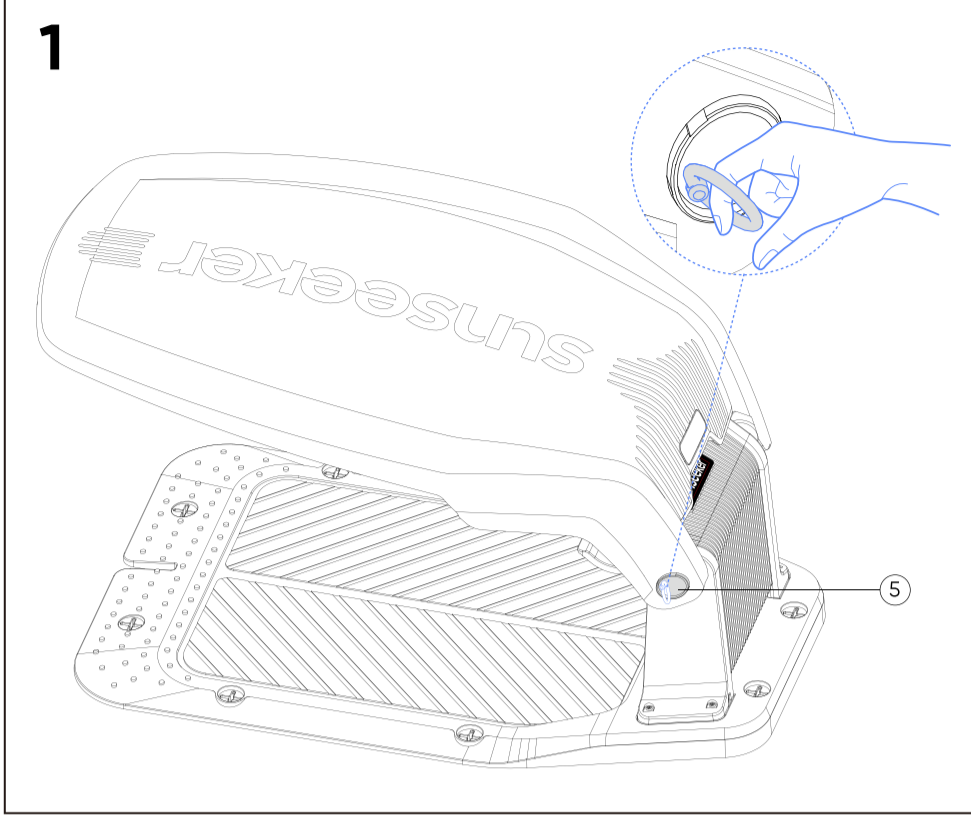
For V3/ V3 Plus/S3/S3 Plus

Installation

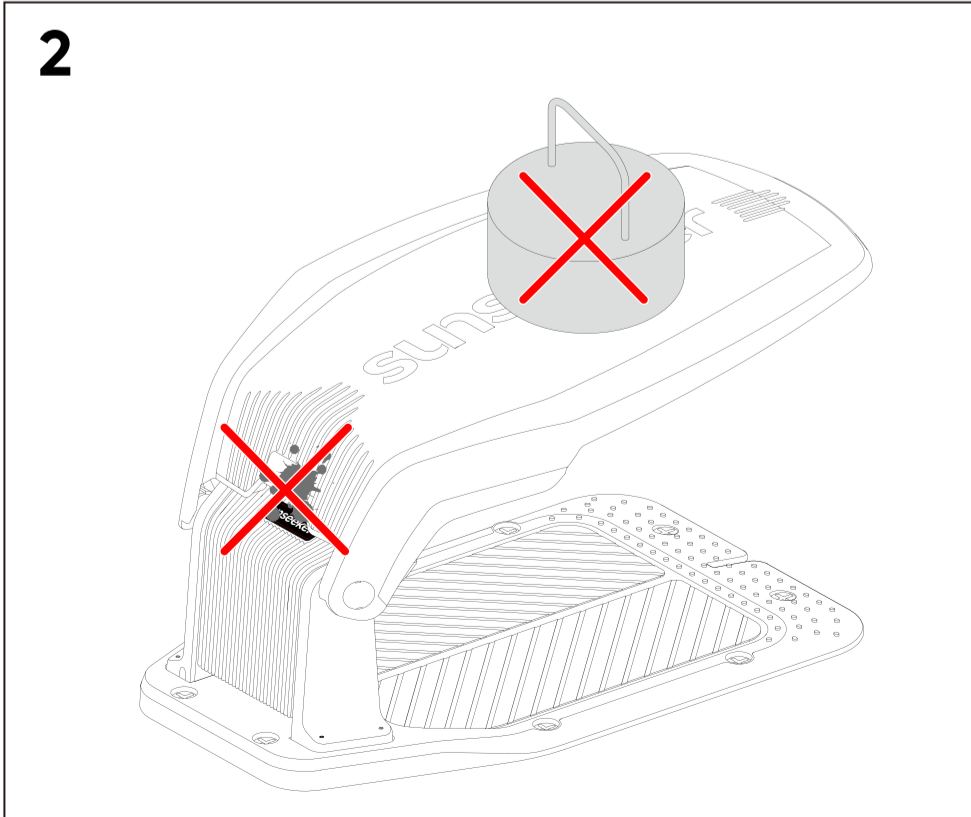
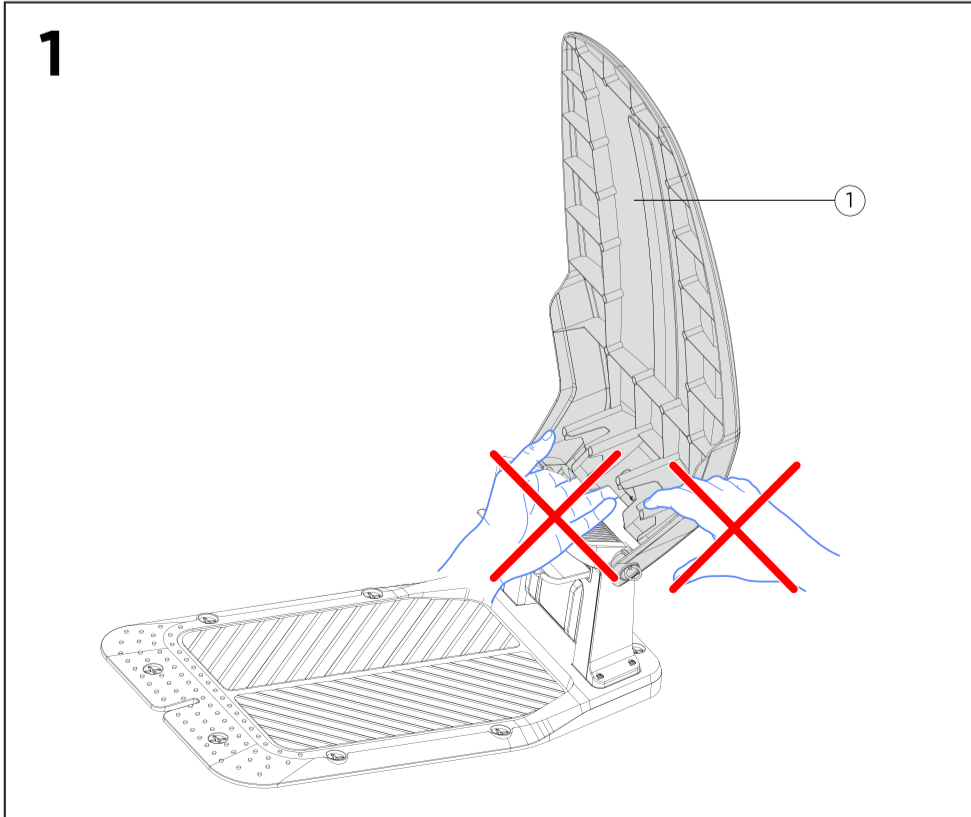
Box Contents



Angle Adjustment



Caution



sunseeker