

- EN
- FR
- DE
- ES
- IT
- NL
- PT
- DA
- SV
- FI
- NO
- RU
- PL
- CS
- HU
- RO
- LV
- LT
- ET
- HR
- SL
- SK
- BG
- UK
- TR
- EL

R18CSP



- Important!** It is essential that you read the instructions in this manual before assembling, maintaining and operating the product.
- Attention!** Il est essentiel que vous lisiez les instructions contenues dans ce manuel avant d'assembler, d'entretenir et d'utiliser le produit.
- Achtung!** Es ist wichtig, dass Sie vor Zusammenbau, Wartung und Benutzung des Produktes die Anweisungen in dieser Anleitung lesen.
- ¡Atención!** Resulta fundamental que lea este manual de instrucciones antes de realizar el montaje, el mantenimiento y de utilizar este producto
- Attenzione!** E' importante leggere le istruzioni contenute nel presente manuale prima di montare il prodotto, svolgere le operazioni di manutenzione sullo stesso e metterlo in funzione.
- Let op!** Het is van essentieel belang dat u de instructies in deze gebruiksaanwijzing leest voor u het product monteert, onderhoudt en gebruikt.
- Atenção!** É fundamental que leia as instruções deste manual antes da montagem, manutenção e operação do aparelho.
- OBS!** Det er vigtigt, at man læser instrukserne i denne brugsanvisning, inden man samler, vedligeholder og betjener produktet.
- Observera!** Det är viktigt att du läser instruktionerna i manualen före montering, användning och underhåll av produkten.
- Huomio!** On tärkeää, että luet tämän käsikirjan ohjeet ennen tuotteen kokoamista, huoltoa ja käyttöä.
- Advarsel!** Det er viktig at du leser instruksjonene i denne manualen før sammensetning, vedlikehold og bruk av produktet
- Внимание!** Необходимо прочитать инструкции в данном руководстве перед сборкой, обслуживанием и эксплуатацией этого изделия.
- Uwaga!** Koniecznie należy przeczytać instrukcje zawarte w tym podręczniku przed montażem, obsługą oraz konserwacją produktu.
- Důležité upozornění!** Neinstalujte, neprovádějte údržbu ani nepoužívejte tento výrobek dříve, než si přečtete pokyny uvedené v tomto návodu.
- Figyelem!** Fontos, hogy a termék összeszerelése, karbantartása és használatá elótt elolvassa a kézikönyvben található utasításokat.
- Atenție!** Este esențial să citiți instrucțiunile din acest manual înainte de asamblare, efectuarea întreținerii și operarea produsului.
- Uzmanību!** Ir svarīgi izlasīt šīs rokasgrāmatas instrukcijas pirms uzstādīšanas, apkopes un preces darbināšanas.
- Démésio!** Prieš surenkant, prižiūrint ir naudojant gaminį, būtina perskaityti šiam vadove pateiktus nurodymus.
- Tähtis!** Enne masina kokkupanekut, hooldamist ja kasutama hakkamist tuleb käesolevas juhendis esitatud juhised kindlasti läbi lugeda.
- Upozorenje!** Vrlo je važno da ste prije sklapanja, održavanja i rada s ovim proizvodom pročitali upute u ovom priručniku.
- Pomembno!** Pomembno je da pred montažo vzdrževanjem in uporabo tega izdelka preberete navodila v tem priručniku.
- Upzornenie!** Je dôležité, aby ste si pred montážou, údržbou a obsluhou produktu prečítali pokyny v tomto návode.
- Важно!** Исключительно важно е да прочетете инструкциите в настоящото ръководство, преди да преминете към сглобяване, поддръжка или работа с продукта.
- Важливо!** Дуже важливо, щоб ви прочитали інструкції в цьому керівництві перед складанням, обслуговуванням та експлуатацією цієї машини.
- Dikkat!** Ürünün montajını, bakımını yapmadan ve ürünün çalıştırmadan önce bu kılavuzda yer alan talimatları okumanız önemlidir.
- Προσοχή!** Είναι πολύ σημαντικό να διαβάσετε τις οδηγίες στο παρόν εγχειρίδιο πριν συναρμολογήσετε, συντηρήσετε ή λειτουργήσετε το προϊόν.

Subject to technical modification | Sous réserve de modifications techniques | Technische Änderungen vorbehalten | Bajo reserva de modificaciones técnicas | Con riserva di eventuali modifiche tecniche | Technische wijzigingen voorbehouden | Com reserva de modificações técnicas | Med forbehold for tekniske ændringer | Med förbehåll för tekniska ändringar | Tekniset muutokset varataan | Med forbehold om tekniske endringer | могут быть внесены технические изменения | Z zastrzeżeniem modyfikacji technicznych | Změny technických údajů vyhrazeny | A műszaki módosítás jogát fenntartjuk | Sub rezerva modificațiilor tehnice | Paturam tiesības mainīt tehniskos raksturlielumus | Pasiliekan teisę daryti techninius pakeitimus | Tehnilised muudatused võimalikud | Подлежно техничким промjenama | Tehnične spremembe dopuščene | Právo na technické zmeny je vyhradené | Подлежи на технически модификации | Є об'єктом для технічних змін | Teknik değişiklik hakkı saklıdır | Υπό την επιφύλαξη τεχνικών τροποποιήσεων

Safety, performance, and dependability have been given top priority in the design of your circular saw.

INTENDED USE

The circular saw is intended to be used only by adults who have read and understood the instructions and warnings in this manual, and can be considered responsible for their actions.

The product is designed for rip- and cross-cutting of wood or similar materials up to a maximum depth of 45 mm. The product can make straight or bevelled cuts between 0 and 50 degrees. The product is to be used with the base of the tool in contact with the workpiece. It should only be used in a dry, well lit and well ventilated area.

The product is designed for handheld use. The product is not to be mounted onto a workbench unless specific instructions about how to do this are given by the manufacturer of the saw. Do not use for cutting metal or masonry.

Do not use the product for any other purpose. Use of the product for operations different from intended could result in a hazardous situation.

⚠ WARNING

Read all safety warnings, instructions, illustrations and specifications provided with this power tool. Failure to follow all instructions listed below may result in electric shock, fire and/or serious injury.

Save all warnings and instructions for future reference.

CIRCULAR SAW SAFETY WARNINGS

CUTTING PROCEDURES

⚠ DANGER

Keep hands away from cutting area and the blade. Keep your second hand on auxiliary handle, or motor housing. If both hands are holding the saw, they cannot be cut by the blade.

- **Do not reach underneath the workpiece.** The guard cannot protect you from the blade below the workpiece.
- **Adjust the cutting depth to the thickness of the workpiece.** Less than a full tooth of the blade teeth should be visible below the workpiece.
- **Never hold the workpiece being cut in your hands or across your leg. Secure the workpiece to a stable platform.** It is important to support the work properly to minimise body exposure, blade binding, or loss of control.
- **Hold the power tool by insulated gripping surfaces, when performing an operation where the cutting tool may contact hidden wiring.** Contact with a "live" wire will also make exposed metal parts of the power tool "live" and could give the operator an electric shock.
- **When ripping, always use a rip fence or straight edge guide.** This improves the accuracy of cut and reduces the chance of blade binding.
- **Always use blades with correct size and shape (diamond versus round) of arbour holes.** Blades that

do not match the mounting hardware of the saw will run eccentrically, causing loss of control.

- **Never use damaged or incorrect blade washers or bolt.** The blade washers and bolt were specially designed for your saw, for optimum performance and safety of operation.

KICKBACK CAUSES AND RELATED WARNINGS:

- kickback is a sudden reaction to a pinched, jammed or misaligned saw blade, causing an uncontrolled saw to lift up and out of the workpiece toward the operator;
- when the blade is pinched or jammed tightly by the kerf closing down, the blade stalls and the motor reaction drives the unit rapidly back toward the operator;
- if the blade becomes twisted or misaligned in the cut, the teeth at the back edge of the blade can dig into the top surface of the wood causing the blade to climb out of the kerf and jump back toward the operator.

Kickback is the result of saw misuse and/or incorrect operating procedures or conditions and can be avoided by taking proper precautions as given below.

- **Maintain a firm grip with both hands on the saw and position your arms to resist kickback forces. Position your body to either side of the blade, but not in line with the blade.** Kickback could cause the saw to jump backwards, but kickback forces can be controlled by the operator, if proper precautions are taken.
- **When blade is binding, or when interrupting a cut for any reason, release the trigger and hold the saw motionless in the material until the blade comes to a complete stop. Never attempt to remove the saw from the work or pull the saw backward while the blade is in motion or kickback may occur.** Investigate and take corrective actions to eliminate the cause of blade binding.
- **When restarting a saw in the workpiece, centre the saw blade in the kerf and check that saw teeth are not engaged into the material.** If a saw blade binds, it may walk up or kickback from the workpiece as the saw is restarted.
- **Support large panels to minimise the risk of blade pinching and kickback.** Large panels tend to sag under their own weight. Supports must be placed under the panel on both sides, near the line of cut and near the edge of the panel.
- **Do not use dull or damaged blades.** Unsharpened or improperly set blades produce narrow kerf causing excessive friction, blade binding and kickback.
- **Blade depth and bevel adjusting locking levers must be tight and secure before making cut.** If blade adjustment shifts while cutting, it may cause binding and kickback.
- **Use extra caution when sawing into existing walls or other blind areas.** The protruding blade may cut objects that can cause kickback.

LOWER GUARD FUNCTION

- **Check lower guard for proper closing before each use. Do not operate the saw if lower guard does not move freely and close instantly. Never clamp or tie the lower guard into the open position.** If the saw is accidentally dropped, lower guard may be bent. Raise the lower guard with the retracting handle and make sure it moves freely and does not touch the blade or any other part, in all angles and depths of cut.
- **Check the operation of the lower guard spring. If the guard and the spring are not operating properly, they must be serviced before use.** Lower guard may operate sluggishly due to damaged parts, gummy deposits, or a build-up of debris.
- **Lower guard may be retracted manually only for special cuts such as “plunge cuts” and “compound cuts”.** Raise lower guard by retracting handle and as soon as blade enters the material, the lower guard must be released. For all other sawing, the lower guard should operate automatically.
- **Always observe that the lower guard is covering the blade before placing saw down on bench or floor.** An unprotected, coasting blade will cause the saw to walk backwards, cutting whatever is in its path. Be aware of the time it takes for the blade to stop after switch is released.

ADDITIONAL SAFETY WARNINGS

- **The dust produced when using the product may be harmful to your health, inflammable, or explosive. Do not inhale the dust.** Use a dust extraction system, and wear a suitable dust protection mask. Remove deposited dust thoroughly, e.g., with a brush and vacuum cleaner.
- **Do not use any abrasive wheels.**
- **Use only blades specified in this manual, complying with EN 847-1.**
- **Avoid overheating the blade tips. Do not use dull or damaged blades.** Do not force the tool.
- **Do not use blades of larger or smaller diameter than recommended.**
- Wear ear protection.
- **Clamp workpiece with a clamping device.** Unclamped workpieces can cause severe injury and damage.
- **Thoroughly check the material to be cut, particularly when using recycled wood, for foreign objects such as nails, screws, and staples.** If nails, screws, staples or similar items contact the blade whilst cutting, the saw will be damaged and severe injury to the operator or others may occur.
- **Do not touch the saw blade immediately after sawing.** The saw blade gets hot during sawing.
- Use only blade diameter(s) in accordance with the markings.
- Identify the correct saw blade to be used for the material to be cut.

- Use only saw blades that are marked with a speed equal or higher than the speed marked on the tool.
- Use only saw blades recommended by the manufacturer, which conform to EN 847-1, if intended for wood and analogous materials.
- Wear a dust mask.
- Ambient temperature range for tool during operation is between 0 °C and 40 °C.
- Ambient temperature range for tool storage is between 0 °C and 40 °C.
- The recommended ambient temperature range for the charging system during charging is between 10 °C and 38 °C.

ADDITIONAL BATTERY SAFETY WARNINGS

⚠ WARNING

To reduce the risk of fire, personal injury, and product damage due to a short circuit, never immerse your tool, battery pack or charger in fluid or allow a fluid to flow inside them. Corrosive or conductive fluids, such as seawater, certain industrial chemicals, and bleach or bleach-containing products, etc., can cause a short circuit.

- Ambient temperature range for battery during use is between 0 °C and 40 °C.
- Ambient temperature range for battery storage is between 0 °C and 20 °C.

TRANSPORTING LITHIUM BATTERIES

Transport the battery in accordance with local and national provisions and regulations.

Follow all special requirements on packaging and labelling when transporting batteries by a third party. Ensure that no batteries can come in contact with other batteries or conductive materials while in transport by protecting exposed connectors with insulating, non-conductive caps or tape. Do not transport batteries that are cracked or leaking. Check with the forwarding company for further advice.

RESIDUAL RISKS

Even when the product is used as prescribed, it is still impossible to completely eliminate certain residual risk factors. The following hazards may arise and the operator should pay special attention to avoid the following:

- Injury caused by kickback
 - Read and understand the information in this manual.
- Injury caused by vibration
 - Limit exposure. See Risk Reduction.
- Injury caused by dust
 - Wear eye protection at all times. Wear appropriate dust mask with suitable filters that can protect against particles from the material being worked on. Do not eat, drink, or smoke in the work area. Ensure adequate ventilation.

- Electric shock
 - The blade may contact hidden wiring causing parts of the product to become live. Always hold the product by the designated handles and take care when blind-cutting into walls and floors where cables may be hidden.

NOTE: When working on walls, ceilings, or floors, take care to avoid electric cables and gas or water pipes.

- Injury from contact with the cutting blade
 - The blades are sharp and will become hot during use. Wear gloves when changing blades. Keep hands away from the cutting area at all times. Never hold workpiece being cut in your hands or across your leg. Clamp the work piece whenever possible.

RISK REDUCTION

It has been reported that vibrations from handheld tools may contribute to a condition called Raynaud's Syndrome in certain individuals. Symptoms may include tingling, numbness, and blanching of the fingers, usually apparent upon exposure to cold. Hereditary factors, exposure to cold and dampness, diet, smoking, and work practices are all thought to contribute to the development of these symptoms. There are measures that can be taken by the operator to possibly reduce the effects of vibration:

- Keep your body warm in cold weather. When operating the unit, wear gloves to keep the hands and wrists warm. It is reported that cold weather is a major factor contributing to Raynaud's Syndrome.
- After each period of operation, exercise to increase blood circulation.
- Take frequent work breaks. Limit the amount of exposure per day.

If you experience any of the symptoms of this condition, immediately discontinue use and see your doctor about these symptoms.

⚠ WARNING

Injuries may be caused, or aggravated, by prolonged use of a tool. When using any tool for prolonged periods, ensure you take regular breaks.

KNOW YOUR PRODUCT

See page 109.

1. Edge guide knob
2. Bevel adjustment knob
3. Spindle lock button
4. Front handle, insulated gripping surface
5. Lock-off button
6. Switch trigger
7. Battery port
8. Dust Pipe joint
9. Inner flange
10. Outer flange
11. Blade Screw
12. Hex key
13. Depth adjustment lock lever
14. Edge guide fence

15. Blade
16. Handle, insulated gripping surface

MAINTENANCE

⚠ WARNING

The product should never be connected to a power supply when assembling parts, making adjustments, cleaning, performing maintenance, or when the product is not in use. Disconnecting the product will prevent accidental starting that could cause serious injury.

- When servicing, use only identical replacement parts. Use of any other parts may create a hazard or cause product damage.
- Avoid using solvents when cleaning plastic parts. Most plastics are susceptible to various types of commercial solvents and may be damaged by their use. Use clean cloths to remove dirt and carbon dust.
- Do not, at any time, let brake fluids, gasoline, petroleum-based products, penetrating oils, etc., come in contact with plastic parts. They contain chemicals that can damage, weaken, or destroy plastic.
- Always wear safety goggles or safety glasses with side shields during power tool operation or when blowing dust. If operation is dusty, also wear a dust mask.
- For greater safety and reliability, all repairs should be performed by an authorised service centre.

LUBRICATION

All of the bearings in the product are lubricated with a sufficient amount of high grade lubricant for the life span of the product under normal operating conditions. Therefore, no further lubrication is required.

SYMBOLS



Safety alert



Direct current



Wood



Do not cut metals



Wear eye protection



Danger! Sharp blade



Do not expose to rain



Width of cut



Blade teeth



Please read the instructions carefully before starting the product.

Do not dispose of waste batteries, waste electrical and electronic equipment as unsorted municipal waste. Waste batteries and waste electrical and electronic equipment must be collected separately. Waste batteries, waste accumulators, and light sources have to be removed from the equipment. Check with your local authority or retailer for recycling advice and collection point.

According to local regulations, retailers may have an obligation to take back waste batteries and waste electrical and electronic equipment free of charge.

Your contribution to the reuse and recycling of waste batteries and waste electrical and electronic equipment helps to reduce the demand of raw materials. Waste batteries, in particular containing lithium, and waste electrical and electronic equipment contain valuable and recyclable materials, which can adversely impact the environment and the human health if not disposed of in an environmentally compatible manner. Delete personal data from waste equipment, if any.



Votre scie circulaire a été conçue en donnant priorité à la sécurité, à la performance et à la fiabilité.

UTILISATION PRÉVUE

La scie circulaire doit être utilisée seulement par des adultes ayant lu et compris les instructions et les avertissements inclus dans le présent manuel et pouvant être considérés comme responsables de leurs actes.

Le produit est conçu pour la découpe transversale et de refente du bois jusqu'à une profondeur maximale de 45 mm. Le produit peut effectuer des découpes droites ou en biais, de 0 à 50 degrés. La base de l'appareil doit rester en contact avec la pièce à travailler. La scie ne doit être utilisée que dans un endroit sec, bien éclairé et bien ventilé.

Ce produit est conçu pour une utilisation à la main. Ce produit ne doit pas être monté sur un établi, à moins de disposer d'instructions spéciales à cet effet fournies par la fabricant de la scie. Ne l'utilisez pas pour couper du métal ou des matériaux de maçonnerie.

Ne vous servez pas de ce produit pour d'autres utilisations que celles décrites au chapitre des utilisations prévues. L'utilisation détournée d'un outil électrique entraîne des situations dangereuses.

⚠ AVERTISSEMENT

Lisez attentivement l'ensemble des avertissements, instructions et spécifications fournis avec cet outil, et reportez-vous aux illustrations. Le non-respect des instructions présentées ci-après peut entraîner des accidents tels que des incendies, des décharges électriques et/ou des blessures corporelles graves.

Conservez tous les avertissements et toutes les instructions pour pouvoir vous y reporter ultérieurement.

AVERTISSEMENTS DE SÉCURITÉ CONCERNANT LA SCIE CIRCULAIRE

PROCÉDURES DE COUPE

⚠ DANGER

Éloignez vos mains de la lame et de la zone de coupe. La main qui ne tient pas la poignée principale de l'outil doit tenir la poignée auxiliaire ou bien être posée sur le carter moteur. Ainsi, vos mains ne risqueront pas de se trouver dans la zone de coupe, sur la trajectoire de la lame.

- **Ne tentez pas d'atteindre le dessous de l'élément à couper.** Le protège-lame ne peut pas vous protéger de la lame sous la pièce à couper.
- **Réglez la profondeur de coupe en fonction de l'épaisseur de la pièce à usiner.** Les dents de la lame ne doivent pas dépasser entièrement sous la pièce à usiner lors de la coupe.
- **Ne tenez jamais la pièce à usiner avec votre main ou entre vos jambes. Fixez-la sur un support stable.** Il est primordial de fixer correctement la pièce à usiner pour éviter tout risque de blessures et de ne pas plier la lame afin de ne pas perdre le contrôle de l'outil.

- **Lorsqu'il existe un risque que l'outil de coupe puisse entrer en contact avec des câbles électriques dissimulés, tenez l'outil électrique uniquement au niveau de ses surfaces de préhension isolées.** L'entrée en contact avec un fil électrique « sous tension » pourrait véhiculer cette tension électrique vers les parties métalliques de l'outil et exposer l'opérateur à une décharge électrique.
- **Utilisez toujours un guide de coupe parallèle ou un tasseau droit lorsque vous effectuez une coupe parallèle.** La précision de coupe sera améliorée et vous éviterez les risques de plier la lame.
- **Utilisez toujours des lames dont la taille et la forme sont adaptées à l'alsage de l'arbre.** Des lames non adaptées à l'arbre sur lequel elles doivent être montées ne tourneront pas correctement et peuvent vous faire perdre de contrôle de l'outil.
- **N'utilisez jamais de rondelles ni de boulons de lame défectueux ou inadaptés.** Les rondelles et boulons de lame ont été conçus spécialement pour votre modèle de scie, pour une sécurité et une performance optimales.

AVERTISSEMENTS RELATIFS AU REBOND ET AUTRES RISQUES ASSOCIÉS :

- Le rebond est une réaction soudaine au pincement, au blocage ou au mauvais alignement de la lame de la scie. La scie, qui n'est alors plus contrôlée, se dégage de la pièce à usiner et « saute » vers l'opérateur.
- Lorsque la lame est pincée ou bloquée par la fermeture de l'entaille, la lame se bloque et la réaction du moteur pousse rapidement l'appareil vers l'opérateur.
- Si la lame se tord ou est mal alignée, les dents situées à l'arrière de la lame risquent de s'enfoncer dans la surface du bois, ce qui fera sortir brusquement la lame de la pièce à usiner en direction de l'utilisateur.

Le rebond est donc le résultat d'une mauvaise utilisation de l'outil et/ou de procédures ou de conditions de coupe incorrectes. Il peut être évité en veillant à respecter quelques précautions.

- **Maintenez fermement la scie avec vos deux mains et positionnez vos bras de façon à ce qu'ils puissent contrôler un éventuel rebond. Positionnez-vous d'un côté de la scie lorsque vous travaillez mais ne vous placez jamais dans l'alignement de la lame.** Le rebond projette soudainement la scie vers l'arrière, mais ce mouvement peut être contrôlé si l'utilisateur s'y attend et s'y prépare.
- **Si la lame se coince, ou si vous devez interrompre la coupe pour une raison quelconque, relâchez la gâchette et maintenez la scie dans la pièce à usiner jusqu'à ce que la lame s'arrête complètement de tourner. Ne tentez jamais d'enlever la scie de l'élément à couper ou de la faire reculer tant que le disque continue de tourner, sous peine de provoquer un rebond.** Si la lame se coince, cherchez-en la cause et prenez les mesures nécessaires pour que cela ne se reproduise plus.
- **Avant de faire redémarrer la scie pour reprendre une coupe, alignez correctement la lame avec le trait**

de scie et vérifiez que les dents ne touchent pas la pièce à usiner. Si la lame de la scie est bloquée, celle-ci peut rebondir ou reculer de la pièce à usiner lorsque la scie est remise en marche.

- **Veillez à soutenir les longues pièces à usiner afin d'éviter que la lame se coince et limiter ainsi les risques de rebonds.** Les longues pièces à usiner ont tendance à ployer sous leur propre poids. Vous pouvez placer des supports des deux côtés de la pièce à usiner, près de la ligne de coupe et au niveau de l'extrémité de la pièce.
- **N'utilisez pas de lames émoussées ou endommagées.** Des lames non aiguisées ou mal montées produiront un trait de scie fin entraînant une friction excessive de la lame et donc de plus grands risques de torsion et de rebond.
- **Avant de commencer une coupe, vérifiez que les boutons de réglage de la profondeur et de l'inclinaison sont correctement bloqués.** Si les réglages de la position de la lame se modifient en cours de coupe, la lame risque de se coincer et un rebond peut se produire.
- **Soyez particulièrement attentif lorsque vous effectuez une coupe dans un mur existant ou d'autres zones aveugles.** La lame pourrait heurter des éléments cachés, ce qui entraînerait un rebond.

FONCTIONNEMENT DE LA PROTECTION INFÉRIEURE

- **Avant chaque utilisation, vérifiez que le protège-lame inférieur recouvre correctement la lame. N'utilisez pas votre scie si le protège-lame inférieur ne peut pas être actionné librement et s'il ne se rabat pas instantanément sur la lame. Ne fixez ou n'attachez jamais le protège-lame inférieur en position ouverte.** Si la scie tombait de façon accidentelle, le protège-lame inférieur pourrait se plier. Relevez le protège-lame inférieur à l'aide de la manette et assurez-vous qu'il peut être manipulé sans difficulté et qu'il ne touche ni la lame ni aucune autre pièce quels que soient l'angle et la profondeur de coupe choisis.
- **Assurez-vous que le ressort du protège-lame inférieur est en bon état et fonctionne correctement. Si le protège-lame et le ressort ne fonctionnent pas correctement, faites-les réparer ou remplacer avant d'utiliser votre scie.** Le protège-lame inférieur peut fonctionner de façon lente si des éléments sont endommagés, en cas de dépôts gommeux, ou en cas d'accumulation de débris.
- **Le protège-lame inférieur ne doit être rétracté à la main que pour des coupes spéciales telles que les « coupes plongeantes » et les « coupes combinées ».** Levez le protège-lame inférieur à l'aide de la manette, puis relâchez-le dès que la lame pénètre dans la pièce à usiner. Pour tous les autres types de coupe, le protège-lame inférieur se met en place automatiquement.
- **Vérifiez toujours que le protège-lame inférieur recouvre bien la lame avant de poser votre scie sur un établi ou sur le sol.** Si la lame n'est pas correctement recouverte, elle peut tourner par inertie et couper ce qui

se trouve sur sa trajectoire. Soyez conscient du fait que la lame continue de tourner pendant un certain temps après l'arrêt du moteur.

INSTRUCTIONS DE SÉCURITÉ ADDITIONNELLES

- **La poussière/sciure générée lors de l'utilisation du produit peut être préjudiciable à votre santé, inflammable ou explosive. N'inhalez pas la sciure.** Utilisez un dispositif d'aspiration de la poussière et portez un masque de protection adapté. Retirez soigneusement la sciure, par ex. à l'aide d'un aspirateur.
- **N'utilisez jamais de disque abrasif.**
- **Évitez de faire surchauffer les dents de la lame. N'utilisez pas de lames émoussées ou endommagées.** Ne faites pas forcer l'outil.
- **N'utilisez pas de lames d'un diamètre supérieur ou inférieur à celui recommandé.**
- Portez une protection auditive.
- **Sécurisez la pièce à usiner à l'aide d'un dispositif de serrage.** Une pièce à usiner non fixée peut être la cause de blessures graves et de dommages.
- **Vérifier soigneusement le matériau à couper, en particulier s'il s'agit de bois de récupération, à la recherche d'objets étrangers tels que clous, vis, et agrafes.** Si des clous, des vis, des agrafes ou autres objets similaires entrent en contact avec la lame en cours de coupe, celle-ci s'en trouvera endommagée et de graves blessures pourraient être occasionnées à l'opérateur ou autres personnes.
- **Ne touchez pas la lame de scie immédiatement après une coupe.** La lame de scie devient chaude au cours de la coupe.
- Utilisez uniquement des lames dont le diamètre correspond aux marquages.
- Identifiez la lame de scie adaptée au matériau à couper.
- Utilisez uniquement des lames de scie spécifiées pour une vitesse supérieure ou égale à celle indiquée sur l'outil.
- Utilisez uniquement les lames de scie recommandées par le fabricant, conformes à la norme EN 847-1, pour une utilisation avec du bois et des matériaux analogues.
- Portez un masque anti-poussière.
- La plage de température ambiante pour l'outil en fonctionnement se situe entre 0 °C et 40 °C.
- La plage de température ambiante pour l'entreposage de l'outil se situe entre 0 °C et 40 °C.
- La plage de température ambiante recommandée pour le système de chargement en fonctionnement se situe entre 10 °C et 38 °C.

MISES EN GARDE DE SÉCURITÉ SUPPLÉMENTAIRES CONCERNANT LA BATTERIE

⚠ AVERTISSEMENT

Pour réduire le risque d'incendie, de blessures corporelles et de dommages causés par un court-circuit, n'immergez jamais l'outil, le bloc de batterie ou le chargeur dans un liquide et ne laissez pas couler un fluide à l'intérieur de celui-ci. Les fluides corrosifs ou conducteurs, tels que l'eau de mer, certains produits chimiques industriels, les produits de blanchiment ou contenant des agents de blanchiment, etc. peuvent provoquer un court-circuit.

- La plage de température ambiante pour la batterie en utilisation se situe entre 0 °C et 40 °C.
- La plage de température ambiante pour l'entreposage de la batterie se situe entre 0 °C et 20 °C.

TRANSPORT DES BATTERIES AU LITHIUM

Transportez les batteries en conformité avec les dispositions et règlements locaux et nationaux.

Respectez toutes les exigences légales particulières concernant l'emballage et l'étiquetage des batteries lorsque vous confiez leur transport à un tiers. Assurez-vous qu'aucune batterie ne puisse entrer en contact avec une autre batterie ou avec des matériaux conducteurs lors de son transport en isolant les bornes électriques avec du ruban adhésif ou des capuchons isolants non conducteurs. Ne transportez pas une batterie qui serait fendue ou qui fuirait. Demandez conseil au transporteur pour de plus amples informations.

RISQUES RÉSIDUELS

Même lorsque le produit est utilisé selon les prescriptions, il reste impossible d'éliminer totalement certains facteurs de risque résiduels. Les dangers suivants risquent de se présenter en cours d'utilisation et l'utilisateur doit prêter particulièrement garde aux points suivants :

- Blessures dues au rebond
 - Lisez les informations de ce manuel de manière à les comprendre.
- Blessures dues aux vibrations
 - Limitez le temps d'exposition. Voir « Réduction des risques ».
- Blessures dues à la poussière
 - Toujours porter une protection pour les yeux. Portez un masque anti-poussière approprié équipé de filtres adaptés capables de vous protéger contre les poussières en provenance du matériau sur lequel vous travaillez. Ne mangez pas, ne buvez pas, et ne fumez pas dans l'espace de travail. Assurez une ventilation correcte à l'espace de travail.
- Décharge électrique
 - La lame est susceptible d'entrer en contact avec des câbles électriques cachés, et de mettre ainsi certaines parties du produit « sous tension ». Tenez toujours le produit par les poignées destinées à cet effet et prenez garde lors des coupes aveugles dans les murs et dans les sols susceptibles de contenir des câbles cachés.

REMARQUE: Lorsque vous travaillez sur des murs, des plafonds ou des sols, prenez garde de ne pas entrer en contact avec des câbles électriques ou des tuyaux d'eau ou de gaz.

- Blessures dues à l'entrée en contact avec la lame de coupe
 - Les lames sont très coupantes et deviennent très chaudes en cours de fonctionnement. Portez des gants lorsque vous changez de lame. Gardez en permanence vos mains éloignées de la zone de coupe. Ne tenez jamais la pièce à usiner avec votre main ou entre vos jambes. Fixez la pièce à usiner lorsque cela est possible.

RÉDUCTION DES RISQUES

Il a été reporté que les vibrations engendrées par les outils tenus à main peuvent contribuer à l'apparition d'un état appelé le syndrome de Raynaud chez certaines personnes. Les symptômes peuvent comprendre des fourmillements, un engourdissement et un blanchiment des doigts, généralement par temps froid. Des facteurs héréditaires, l'exposition au froid et à l'humidité, le régime alimentaire, le tabagisme et les habitudes de travail peuvent contribuer au développement de ces symptômes. Certaines mesures peuvent être prises par l'utilisateur pour aider à réduire les effets des vibrations:

- Gardez votre corps au chaud par temps froid. Lorsque vous utilisez l'appareil, portez des gants afin de garder vos mains et vos poignets au chaud. Le temps froid est considéré comme un facteur contribuant très largement à l'apparition du syndrome de Raynaud.
- Après chaque session de travail, pratiquez des exercices qui favorisent la circulation sanguine.
- Faites des pauses fréquentes. Limitez la quantité d'exposition journalière.

Si vous ressentez l'un des symptômes associés à ce syndrome, arrêtez immédiatement le travail et consultez votre médecin pour lui en faire part.

⚠ AVERTISSEMENT

L'utilisation prolongée d'un outil est susceptible de provoquer ou d'aggraver des blessures. Assurez-vous de faire des pauses de façon régulière lorsque vous utilisez tout outil de façon prolongée.

APPRENEZ À CONNAÎTRE VOTRE PRODUIT

Voir page 109.

1. Bouton du guide latéral
2. Bouton de réglage du biseau
3. Bouton de verrouillage de l'arbre
4. Poignée avant, surface de préhension isolée
5. Bouton de déverrouillage de la gâchette
6. Gâchette-interrupteur
7. Réceptacle de la batterie
8. Raccord d'extraction de la sciure
9. Bride intérieure
10. Flasque extérieur
11. Vis de la Lame
12. Clé hexagonale
13. Levier de verrouillage du réglage de profondeur
14. Guide latéral

- 15. Lame
- 16. Poignée, surface de préhension isolée

ENTRETIEN

⚠ AVERTISSEMENT

Le produit ne doit jamais être branché à une source de courant lorsque vous y montez des pièces, lorsque vous effectuez des réglages, lorsque vous le nettoyez, lorsque vous l'entretenez, ou lorsque vous ne l'utilisez pas. Déconnecter le produit de l'alimentation électrique empêche les démarrages accidentels qui peuvent causer des blessures graves.

- N'effectuez l'entretien qu'à l'aide de pièces détachées et d'accessoires d'origine constructeur. L'utilisation de toute autre pièce est susceptible de présenter un danger ou d'endommager votre outil.
- Évitez d'utiliser des solvants pour nettoyer les parties en plastique. La plupart des plastiques sont susceptibles d'être endommagés par les solvants disponibles dans le commerce. Utilisez un chiffon propre pour essuyer les impuretés, la poussière, etc.
- Ne laissez jamais du liquide de frein, de l'essence, des produits pétroliers, des huiles pénétrantes, etc. entrer en contact avec les éléments en plastique. Ces produits chimiques contiennent des substances qui peuvent endommager, fragiliser ou détruire le plastique.
- Portez toujours un masque oculaire ou des lunettes de protection à volets latéraux lorsque vous utilisez l'outil électrique ou lorsque vous soufflez de la poussière. Si l'opération génère des poussières, portez également un masque anti-poussière.
- Pour plus de sécurité et de fiabilité, toutes les réparations doivent être effectuées par un centre de service agréé.

LUBRIFICATION

Tous les roulements de ce produit sont lubrifiés avec une quantité suffisante d'huile de haute qualité pour toute sa durée de vie dans des conditions d'utilisation normales. Par conséquent, aucune lubrification supplémentaire n'est nécessaire.

SYMBOLES



Alerte de sécurité



Courant continu



Bois



Ne coupez pas des pièces métalliques



Portez une protection oculaire



Danger! Lame coupante.



Ne pas exposer à la pluie



Largeur de coupe



Nombre de dents



Veillez lire attentivement le mode d'emploi avant de démarrer la machine.

Ne jetez pas les batteries et les équipements électriques et électroniques usagés parmi les déchets municipaux non triés. Les batteries et les équipements électriques et électroniques usagés doivent être collectés séparément. Les batteries, accumulateurs et sources lumineuses usagés doivent être retirés de l'équipement. Pour obtenir des conseils en matière de recyclage et de points de collecte, se renseigner auprès des autorités locales ou du détaillant. Selon les réglementations locales, les détaillants peuvent avoir l'obligation de récupérer gratuitement les batteries et les équipements électriques et électroniques usagés. Votre contribution à la réutilisation et au recyclage des batteries et équipements électriques et électroniques usagés permet de réduire la demande en matières premières. Les batteries, notamment celles qui contiennent du lithium, ainsi que les équipements électriques et électroniques usagés comportent des matériaux précieux et recyclables, qui peuvent avoir un impact négatif sur l'environnement et la santé humaine s'ils ne sont pas éliminés de manière respectueuse de l'environnement. Supprimer les données personnelles de l'équipement usagé, le cas échéant.



FR
Cet appareil et sa batterie se recyclent

À DÉPOSER EN MAGASIN À DÉPOSER EN DÉCHÈTERIE

OU

Points de collecte sur www.quefairedemesdechets.fr

Sicherheit, Leistung und Zuverlässigkeit hatten oberste Priorität bei der Entwicklung Ihrer Kreissäge.

BESTIMMUNGSGEMÄSSE VERWENDUNG

Die Kreissäge ist nur für den Gebrauch von Erwachsenen vorgesehen, die die Bedienungsanleitung gelesen und verstanden haben und als verantwortlich für ihre Handlungen erachtet werden können.

Das Produkt ist für das Längs- und Querspannen von Holz oder ähnlichen Werkstoffen bis zu einer maximalen Tiefe von 45 mm konzipiert. Das Produkt kann gerade oder abgeschrägte Schnitte zwischen 0 und 50 Grad durchführen. Bei der Benutzung muss die Bodenplatte der Kreissäge auf dem Werkstück aufliegen. Die Säge muss in trockener Umgebung benutzt werden, mit ausgezeichneter Raumbelichtung und ausreichender Belüftung.

Die Kreissäge ist für handgeführte Benutzung vorgesehen. Die Säge darf nicht an einem Arbeitstisch montiert werden, es sei denn spezielle Anweisungen dafür werden von dem Hersteller des Produktes gegeben. Nicht zum Sägen von Metall oder Mauerwerk benutzen.

Benutzen Sie das Produkt nicht für andere Aufgaben, als die genannten bestimmungsgemäßen Verwendungen. Der Einsatz des Werkzeugs für Arbeiten, für die es nicht vorgesehen ist, kann zu gefährlichen Situationen führen.

⚠️ WARNUNG

Lesen Sie aufmerksam alle mit diesem Werkzeug gelieferten Warnungen, Anweisungen und Spezifikationen, beziehen Sie sich auf die Illustrationen. Die Nichtbeachtung der weiter unten aufgeführten Anweisungen kann Unfälle wie Brände, Elektroschocks und/oder schwere Körperverletzungen zur Folge haben.

Bewahren Sie diese Sicherheitshinweise und Anweisungen für einen späteren Gebrauch gut auf.

KREISSÄGE SICHERHEITSWARNUNGEN

SÄGEVERFAHREN

⚠️ GEFAHR

Kommen Sie mit Ihren Händen nicht in den Sägebereich und an das Sägeblatt. Halten Sie mit Ihrer zweiten Hand den Zusatzhandgriff oder das Motorgehäuse. Wenn beide Hände die Säge halten, können diese vom Sägeblatt nicht verletzt werden.

- **Greifen Sie nicht unter das Werkstück!** Die Schutzhaube kann Sie unter dem Werkstück nicht vor dem Sägeblatt schützen.
- **Passen Sie die Schnitttiefe an die Dicke des Werkstücks an.** Es sollte weniger als eine volle Zahnhöhe unter dem Werkstück sichtbar sein.
- **Halten Sie das zu sägende Werkstück niemals in der Hand oder über dem Bein fest. Sichern Sie das Werkstück an einer stabilen Aufnahme.** Es ist wichtig, das Werkstück gut zu befestigen, um die Gefahr von Körperkontakt, Klemmen des Sägeblattes oder Verlust der Kontrolle zu minimieren.
- **Halten Sie das Elektrowerkzeug an den isolierten Griffflächen, wenn Sie Arbeiten ausführen, bei denen**

das Einsatzwerkzeug verborgene Stromleitungen treffen kann. Kontakt mit einer spannungsführenden Leitung setzt auch die Metallteile des Elektrowerkzeugs unter Spannung und führt zu einem elektrischen Schlag.

- **Verwenden Sie beim Längsschneiden immer einen Anschlag oder eine gerade Kantenführung.** Dies verbessert die Schnittgenauigkeit und verringert die Möglichkeit, dass das Sägeblatt klemmt.
- **Verwenden Sie immer Sägeblätter in der richtigen Größe und mit passender Aufnahmebohrung (z.B. Rautenförmig oder rund).** Sägeblätter, die nicht zu den Montageteilen der Säge passen, laufen unrund und führen zum Verlust der Kontrolle.
- **Verwenden Sie niemals beschädigte oder falsche Sägeblatt-Unterlegscheiben oder -Schrauben.** Die Sägeblatt-Unterlegscheiben und -Schrauben wurden speziell für Ihre Säge konstruiert, für optimale Leistung und Betriebssicherheit.

RÜCKSCHLAG - URSACHEN UND ENTSPRECHENDE SICHERHEITSHINWEISE

- Ein Rückschlag ist die plötzliche Reaktion infolge eines hakenden, klemmenden oder falsch ausgerichteten Sägeblattes, die dazu führt, dass eine unkontrollierte Säge abhebt und sich aus dem Werkstück heraus in Richtung des Bedienperson bewegt.
- Wenn sich das Sägeblatt in dem sich schließenden Sägespalt verhakt oder verklemmt, blockiert es, und die Motorkraft schlägt die Säge in Richtung der Bedienperson zurück
- Wird das Sägeblatt im Sägeschnitt verdreht oder falsch ausgerichtet, können sich die Zähne der hinteren Sägeblattkante in der Oberfläche des Werkstücks verhaken, wodurch sich das Sägeblatt aus dem Sägespalt hinaus bewegt und die Säge in Richtung der Bedienperson zurückspringt.

Der Rückschlag ist die Folge eines falschen oder fehlerhaften Gebrauchs der Säge. Er kann durch geeignete Vorsichtsmaßnahmen wie nachfolgend beschrieben, verhindert werden.

- **Halten Sie die Säge mit beiden Händen fest, und bringen Sie Ihre Arme in eine Stellung, in der Sie die Rückschlagkräfte abfangen können.** Halten Sie sich immer seitlich des Sägeblattes, nie das Sägeblatt in eine Linie mit Ihrem Körper bringen. Bei einem Rückschlag kann die Kreissäge rückwärts springen, jedoch kann die Bedienperson durch geeignete Vorsichtsmaßnahmen die Rückschlagkräfte beherrschen.
- **Falls das Sägeblatt verklemmt oder Sie die Arbeit unterbrechen, schalten Sie die Säge aus und halten Sie sie im Werkstück ruhig, bis das Sägeblatt zum Stillstand gekommen ist. Versuchen Sie nie, die Säge aus dem Werkstück zu entfernen oder sie rückwärts zu ziehen, solange das Sägeblatt sich bewegt, sonst kann ein Rückschlag erfolgen.** Ermitteln und beheben Sie die Ursache für das Verklemmen des Sägeblattes.
- **Wenn Sie eine Säge, die im Werkstück steckt, wieder starten wollen, zentrieren Sie das Sägeblatt in dem Sägespalt und überprüfen Sie, ob die Sägezähne nicht im Werkstück verhakt sind.** Verhakt das Sägeblatt, kann es sich aus dem Werkstück heraus

bewegen oder einen Rückschlag verursachen, wenn die Säge erneut gestartet wird.

- **Stützen Sie große Platten ab, um das Risiko eines Rückschlags durch ein klemmendes Sägeblatt zu vermindern.** Große Platten können sich unter ihrem Eigengewicht durchbiegen. Platten müssen auf beiden Seiten abgestützt werden, und zwar sowohl in der Nähe des Sägespalts als auch an der Kante.
- **Verwenden Sie keine stumpfen oder beschädigten Sägeblätter.** Sägeblätter mit stumpfen oder falsch ausgerichteten Zähnen verursachen durch einen zu engen Sägespalt eine erhöhte Reibung, Klemmen des Sägeblattes und Rückschlag.
- **Ziehen Sie vor dem Sägen die Schnitttiefen- und Schnittwinklereinstellungen fest.** Wenn sich während des Sägens die Einstellungen verändern, kann sich das Sägeblatt verklemmen und ein Rückschlag auftreten.
- **Seien Sie besonders vorsichtig, beim Sägen in bestehende Wände oder andere nicht einsehbare Bereiche.** Das eintauchende Sägeblatt kann beim Sägen in verborgene Objekte blockieren und einen Rückschlag verursachen.

FUNKTION DER UNTEREN SCHUTZABDECKUNG

- **Überprüfen Sie vor jeder Benutzung, ob die untere Schutzhaube einwandfrei schließt. Verwenden Sie die Säge nicht, wenn die untere Schutzhaube nicht frei beweglich ist und sich nicht sofort schließt. Klemmen oder binden Sie die untere Schutzhaube niemals in geöffneter Position fest** Sollte die Säge unbeabsichtigt zu Boden fallen, kann die untere Schutzhaube verborgen werden. Öffnen Sie die Schutzhaube mit dem Rückziehhebel und stellen Sie sicher, dass sie sich frei bewegt und bei allen Schnittwinkeln und -tiefen weder Sägeblatt noch andere Teile berührt.
- **Überprüfen Sie die Funktion der Feder für die untere Schutzhaube. Lassen Sie die Säge vor dem Gebrauch warten, wenn untere Schutzhaube und Feder nicht einwandfrei arbeiten.** Beschädigte Teile, klebrige Ablagerungen oder Anhäufungen von Spänen lassen die untere Schutzhaube verzögert arbeiten.
- **Öffnen Sie die untere Schutzhaube von Hand nur bei besonderen Schnitten, wie „Tauch- und Winkelschnitten“.** Öffnen Sie die untere Schutzhaube mit dem Rückziehhebel und lassen Sie diesen los, sobald das Sägeblatt in das Werkstück eintaucht. Bei allen anderen Sägearbeiten soll die untere Schutzhaube automatisch arbeiten.
- **Legen Sie die Säge nicht auf der Werkbank oder dem Boden ab, ohne dass die untere Schutzhaube das Sägeblatt bedeckt.** Ein ungeschütztes, nachlaufendes Sägeblatt bewegt die Säge entgegen der Schnittrichtung und sägt, was ihm im Weg ist. Beachten Sie dabei die Nachlaufzeit des Sägeblatts.

ZUSÄTZLICHE SICHERHEITSWARNUNGEN

- **Der bei der Benutzung dieses Produktes entstehende Staub kann gesundheitsschädigend, brennbar oder explosiv sein. Atmen Sie den Staub nicht ein.** Benutzen Sie ein System zur Staubabsaugung

und tragen Sie eine geeignete Staubschutzmaske. Entfernen Sie gründlich den abgelagerten Staub, z. B. mit einem Staubsauger.

- **Verwenden Sie niemals eine Schleifscheibe.**
- **Vermeiden Sie es die Sägeblattspitzen zu überhitzen. Verwenden Sie keine stumpfen oder beschädigten Sägeblätter.** Betätigen Sie das Werkzeug nicht mit Gewalt.
- **Benutzen Sie keine Sägeblätter mit größeren oder kleineren Durchmesser als empfohlen.**
- Gehörschutz tragen.
- **Sichern Sie Ihr Werkstück mit einer Spannvorrichtung.** Ungesicherte Werkstücke können schwere Verletzungen und Schäden verursachen.
- **Überprüfen Sie das Material, das Sie sägen möchten gründlich auf Fremdkörper wie Nägel, Schrauben und Drahtklammern, besonders wenn Sie wiederverwertes Holz benutzen.** Wenn Nägel, Schrauben, Drahtklammern oder ähnlich Dinge beim Sägen in Kontakt mit dem Sägeblatt kommen, wird die Säge beschädigt und schwere Verletzungen des Benutzers oder anderer Personen können erfolgen.
- **Berühren Sie das Sägeblatt nicht direkt nach dem Sägen.** Das Sägeblatt wird während des Sägens heiß.
- Verwenden Sie nur Sägeblätter entsprechend der Aufschriften der Säge.
- Suchen Sie das richtige Sägeblatt entsprechend dem zu sägenden Werkstoff aus.
- Verwenden Sie nur Sägeblätter mit einer Drehzahl-Kennzeichnung, die größer oder gleich der auf dem Elektrowerkzeug angegebene Drehzahl-Kennzeichnung ist.
- Verwenden Sie nur vom Hersteller empfohlene Sägeblätter, die der EN 847-1 entsprechen, sofern sie für Holz und ähnliche Werkstoffe vorgesehen sind.
- Tragen Sie eine Staubschutzmaske.
- Der Umgebungstemperaturbereich für das Werkzeug während des Betriebs liegt zwischen 0 °C und 40 °C.
- Der Umgebungstemperaturbereich für die Lagerung des Werkzeugs liegt zwischen 0 °C und 40 °C.
- Der empfohlene Umgebungstemperaturbereich für das Ladesystem während des Ladevorgangs liegt zwischen 10 °C und 38 °C.

WEITERE SICHERHEITSHINWEISE ZUM AKKU

WARNUNG

Um die durch einen Kurzschluss verursachte Gefahr eines Brandes, von Verletzungen oder Produktbeschädigungen zu vermeiden, tauchen Sie das Werkzeug, den Wechselakku oder das Ladegerät nicht in Flüssigkeiten ein und sorgen Sie dafür, dass keine Flüssigkeiten in die Geräte und Akkus eindringen. Korrodierende oder leitfähige Flüssigkeiten, wie Salzwasser, bestimmte Chemikalien und Bleichmittel oder Produkte, die Bleichmittel enthalten, können einen Kurzschluss verursachen.

- Der Umgebungstemperaturbereich für die Batterie während des Gebrauchs liegt zwischen 0 °C und 40 °C.

- Der Umgebungstemperaturbereich für die Lagerung der Batterie liegt zwischen 0 °C und 20 °C.

TRANSPORT VON LITHIUM AKKUS

Transportieren Sie den Akku gemäß Ihren örtlichen und nationalen Bestimmungen und Regeln.

Befolgen Sie alle besonderen Anforderungen für Verpackung und Beschriftung, wenn Sie Akkus von Dritten transportieren lassen. Stellen Sie sicher, dass beim Transport kein Akku in Kontakt mit anderen Akkus oder leitenden Materialien kommt, indem Sie die freien Anschlüsse mit Isolierband, nichtleitenden Kappen oder Klebeband schützen. Transportieren Sie keine Akkus die gebrochen oder undicht sind. Befragen Sie Ihre Transportfirma nach weiteren Informationen.

RESTRISIKEN

Sogar wenn das Produkt wie vorgeschrieben benutzt wird, ist es unmöglich ein gewisses Restrisiko vollständig auszuschließen. Die folgenden Gefahren können bei der Benutzung entstehen, und der Benutzer sollte besonders auf folgende Punkte achten:

- Durch Rückschlag verursachte Verletzungen.
 - Lesen und verstehen Sie die Informationen in dieser Anleitung.
- Durch Vibrationen verursachte Verletzungen.
 - Begrenzen Sie die Belastung. Siehe "Risikoverringung".
- Durch Staub verursachte Verletzungen.
 - Tragen Sie immer Augenschutz! Tragen Sie eine angemessene Staubschutzmaske mit geeigneten Filtern, die Sie vor dem Staub des bearbeiteten Materials schützt. Essen, trinken oder rauchen Sie nicht in dem Arbeitsbereich. Sorgen Sie für ausreichende Belüftung des Arbeitsbereichs.
- Stromschlag
 - Das Sägeblatt kann verborgene Stromleitungen berühren und Teile des Produktes unter Strom setzen. Halten Sie das Produkt immer an den vorgesehenen Griffen und seien Sie vorsichtig, wenn Sie in Wänden oder Böden sägen, wo Sie möglicherweise verborgene Stromleitungen nicht sehen können.

HINWEIS: Achten Sie beim Arbeiten in Wänden, Decken oder Böden darauf, dass Sie keine elektrischen Kabel oder Gas- oder Wasserleitungen treffen.

- Verletzungen durch Kontakt mit dem Sägeblatt.
 - Die Sägeblätter sind sehr scharf und werden bei Benutzung heiß. Tragen Sie Handschuhe beim Wechseln von Sägeblättern. Halten Sie Ihre Hände immer vom Sägebereich fern. Halten Sie das zu sägende Werkstück niemals in der Hand oder über dem Bein fest. Klemmen Sie das Werkstück wann immer möglich fest.

RISIKOVERRINGERUNG

Vibrationen von in der Hand gehaltenen Werkzeugen können bei einigen Personen zu einem Zustand, der Raynaud-Syndrom genannt wird, führen. Symptome sind u.a. Kribbeln, Taubheitsgefühl und episodische

Weißfärbung der Finger und treten normalerweise bei Kälte auf. Man geht davon aus, dass ererbte Faktoren, Kälte und Feuchtigkeit, Essgewohnheiten, Rauchen und Arbeitsweise zur Entwicklung dieser Symptome beitragen. Der Anwender kann Maßnahmen ergreifen, um die Auswirkungen der Vibrationen möglicherweise zu verringern:

- Halten Sie den Körper bei Kälte warm. Tragen Sie beim Betrieb des Geräts Handschuhe, um Hände und Handgelenke warm zu halten. Berichten zu Folge ist kaltes Wetter ein wesentlicher Faktor, der zum Raynaud Syndrom beiträgt.
- Betätigen Sie sich nach jedem Einsatz körperlich, um den Blutkreislauf zu steigern.
- Machen Sie regelmäßige Pausen. Beschränken Sie die Beanspruchung pro Tag.

Sollten bei Ihnen eines der zuvor beschriebenen Symptome / Zustände auftreten, stellen Sie unverzüglich den Betrieb ein und suchen Sie bezüglich der Symptome einen Arzt auf.

⚠ WARNUNG

Verletzungen können durch lange Benutzung eines Werkzeugs entstehen oder verschlimmert werden. Machen Sie regelmäßig Pause, wenn Sie ein Werkzeug für lange Zeit benutzen.

MACHEN SIE SICH MIT IHREM PRODUKT VERTRAUT

Siehe Seite 109.

1. Knopf der Kantenführung
2. Gehrungs-Einstellknopf
3. Knopf der Spindelarettierung
4. Frontgriff, isolierte Grifffläche
5. Entriegelungsknopf des Ein-/Ausschalters
6. Ein-/Ausschalter
7. Akku-Aufnahmeschacht
8. Anschluss Staubabsaugung
9. Innerer Flansch
10. Äußerer Flansch
11. Schraube Sägeblatt
12. Sechskantschlüssel
13. Tiefeneinstellung-Verriegelungshebel
14. Kantenanschlag
15. Sägeblatt
16. Handgriff, isolierte Grifffläche

WARTUNG UND PFLEGE

⚠ WARNUNG

Das Produkt darf niemals an das Stromnetz angeschlossen sein, wenn Sie Teile zusammenbauen, Einstellungen vornehmen, reinigen, Wartungsarbeiten durchführen, oder wenn das Produkt nicht benutzt wird. Das Trennen des Produkts von der Stromversorgung verhindert einen unbeabsichtigten Start, der zu schweren Verletzungen führen kann.

- Verwenden Sie zur Wartung ausschließlich original Ersatzteile, Zubehör und Aufsätze des Herstellers. Der Einsatz von anderen Teilen kann eine Gefahr verursachen oder das Produkt beschädigen.
- Vermeiden Sie beim Reinigen der Plastikteile den Einsatz von Lösungsmitteln. Die meisten Kunststoffe

können durch im Handel erhältliche Lösungsmittel beschädigt werden. Verwenden Sie einen sauberen Lappen für die Reinigung von Verschmutzungen, Karbonstaub usw.

- Lassen Sie niemals Bremsflüssigkeiten, Benzine, Produkte auf Erdölbasis, Rostlöser usw. mit den Plastikteilen in Kontakt geraten. Diese chemischen Produkte enthalten Substanzen, die den Kunststoff beschädigen, schwächen oder zerstören können.
- Tragen Sie beim Arbeiten mit motorbetriebenen Werkzeugen oder beim Wegblasen von Staub immer eine Schutzbrille mit Seitenschutz. Tragen Sie außerdem bei staubigen Arbeitsbedingungen eine Atemschutzmaske.
- Alle Reparaturen sollten zur besseren Sicherheit und Zuverlässigkeit von einem autorisierten Kundendienst durchgeführt werden.

ÖLEN

Alle Lagerelemente in dem Produkt sind mit genug qualitativ hochwertigem Schmiermittel für die gesamte Lebensdauer des Produktes unter normalen Betriebsbedingungen geölt. Es ist daher keine zusätzliche Schmierung erforderlich.



Entsorgen Sie Altbatterien, Elektro- und Elektronikaltgeräte nicht als unsortierten Siedlungsabfall. Altbatterien und Elektro- und Elektronikaltgeräte müssen getrennt gesammelt werden. Altbatterien, Altakkumulatoren und Lichtquellen müssen aus den Geräten entfernt werden. Informieren Sie sich bei den örtlichen Behörden oder bei Ihrem Einzelhändler über Recyclingoptionen und die Entsorgungseinrichtung. Je nach den örtlichen Vorschriften kann der Einzelhandel verpflichtet sein, Altbatterien und Elektro- und Elektronik-Altgeräte unentgeltlich zurückzunehmen. Ihr Beitrag zur Wiederverwendung und zum Recycling von Elektro- und Elektronikaltgeräten trägt dazu bei, den Bedarf an Rohstoffen zu verringern. Altbatterien, insbesondere lithiumhaltige Batterien, und Elektro- und Elektronik-Altgeräte enthalten wertvolle, wiederverwertbare Materialien, die sich negativ auf die Umwelt und die menschliche Gesundheit auswirken können, wenn sie nicht auf umweltverträgliche Weise entsorgt werden. Löschen Sie ggf. personenbezogene Daten aus Altgeräten.

SYMBOLS



Sicherheitswarnung



Gleichstrom



Holz



Sägen Sie kein Metall



Augenschutz tragen



Gefahr! Scharfes Sägeblatt



Nicht dem Regen aussetzen



Breite des Schnitts



Sägezähne



Bitte lesen Sie die Anweisungen sorgfältig, bevor Sie das Gerät einschalten.

En el diseño de esta sierra circular, se ha dado prioridad absoluta a la seguridad, el rendimiento y la fiabilidad.

USO PREVISTO

La sierra circular está destinada a su uso exclusivo por parte de personas adultas que hayan leído y comprendido las instrucciones y las advertencias de este manual, y las cuales se pueden considerar responsables de sus acciones.

El producto está diseñado para realizar cortes al hilo y cortes transversales en madera y materiales similares con una profundidad máxima de 45 mm. El producto puede realizar cortes rectos o en bisel con un ángulo de entre 0 y 50 grados. La base de la herramienta debe estar en contacto con la pieza durante su uso. Solo se debe utilizar en una zona seca, debidamente iluminada y bien ventilada.

El producto está diseñado para su uso manual. El producto no se debe montar en un banco de trabajo a menos que el fabricante de la sierra haya proporcionado instrucciones específicas acerca de cómo hacerlo. No lo utilice para cortar metal o material de mampostería.

Utilice el producto exclusivamente para el uso para el que fue diseñado. Utilizar la herramienta eléctrica para realizar trabajos diferentes a los que esta herramienta está destinada podría dar como resultado una situación peligrosa.

⚠ ADVERTENCIA

Lea atentamente todas las advertencias, instrucciones y especificaciones suministradas con la herramienta, y consulte las ilustraciones.

El incumplimiento de las instrucciones que se indican a continuación puede ocasionar diversos accidentes como incendios, descargas eléctricas y/o graves heridas corporales.

Guarde todas estas advertencias e instrucciones para futuras referencias.

ADVERTENCIAS DE SEGURIDAD DE LA SIERRA CIRCULAR

PROCEDIMIENTOS DE CORTE

⚠ PELIGRO

Mantenga las manos alejadas del área de corte y de la cuchilla. La mano que no sujeta la empuñadura principal de la máquina debe sostener la empuñadura auxiliar o bien estar apoyada en el cárter del motor. De este modo, sus manos no estarán en la zona de corte, en la trayectoria de la hoja.

- **No intente alcanzar la parte de debajo de la pieza de trabajo.** El protector de hoja no le protege ya que no recubre la hoja por debajo de la pieza.
- **Ajuste la profundidad de corte en función del grosor de la pieza trabajada.** Los dientes de la hoja no deben sobresalir completamente por debajo de la pieza trabajada durante el corte.
- **No sujete NUNCA la pieza trabajada con la mano o entre las piernas.** Fijela en un soporte estable. Es fundamental fijar correctamente la pieza trabajada para evitar el riesgo de heridas y no doblar la hoja o perder el control de la máquina.

- **Sujete la herramienta eléctrica por las superficies de sujeción aislantes cuando realice una operación en la que el accesorio de corte pueda entrar en contacto con el cableado oculto.** El contacto con un cable con corriente hará que las partes metálicas de la herramienta eléctrica se carguen y puede provocar una descarga eléctrica al operario.
- **Utilice siempre una guía de corte paralela o un listón recto cuando efectúe un corte paralelo.** Obtendrá una mayor precisión de corte y evitará doblar la hoja.
- **Utilice hojas de tamaño y forma adecuados al diámetro interior del eje.** Unas hojas que no se adaptan al eje en el que se deben montar no girarán correctamente y provocarán una pérdida de control.
- **No utilice tornillos ni discos de sujeción de las hojas defectuosos o inadaptados.** Los tornillos y los discos de sujeción de las hojas han sido especialmente diseñados para este modelo de sierra, para obtener los mejores resultados y una óptima seguridad.

CAUSAS DE REBOTE Y PRECAUCIONES RELACIONADAS:

- El rebote es una reacción repentina que se produce cuando la hoja se atasca, se dobla o si está mal alineada; la sierra se libera repentinamente de la pieza trabajada y retrocede de forma violenta en dirección al usuario.
- Cuando la hoja se atasca en la madera, se para y el motor, que sigue girando, expulsa la sierra en el sentido opuesto al sentido de rotación de la hoja, es decir, hacia al usuario.
- Si la hoja se dobla o está mal alineada, los dientes situados en la parte trasera de la hoja pueden hundirse en la superficie de la madera, expulsando bruscamente la hoja de la pieza trabajada hacia el usuario.

Por lo tanto, el rebote es el resultado de una mala utilización de la máquina y/o de procedimientos o condiciones de corte incorrectas. Puede evitarse teniendo algunas precauciones.

- **Sujete firmemente la sierra con ambas manos y coloque sus brazos de tal modo que puedan controlar un posible rebote. Al trabajar, póngase a un lado de la sierra, no se ponga nunca en la línea de la hoja.** El rebote expulsa repentinamente la sierra hacia atrás, pero este movimiento puede controlarse si el usuario se lo espera y está preparado para ello.
- **Si la hoja se atasca o si debe interrumpir el corte por cualquier motivo, suelte el gatillo y mantenga la sierra en la pieza trabajada hasta que la hoja deje de girar completamente. No intente retirar la sierra de la pieza de trabajo o tirar de la sierra hacia atrás mientras la hoja esté en movimiento o podría darse un rebote.** Si la hoja se atasca, averigüe cuál es la causa y tome las medidas necesarias para que no se repita.
- **Antes de volver a poner en marcha la sierra para reanudar un corte, alinee correctamente la hoja con el paso de la sierra y compruebe que los dientes no tocan la pieza trabajada.** Si la hoja queda atascada en la pieza trabajada, puede producirse un rebote al poner en marcha la sierra.

EN
FR
DE
ES
IT
NL
PT
DA
SV
FI
NO
RU
PL
CS
HU
RO
LV
LT
ET
HR
SL
SK
BG
UK
TR
EL

- **Soporte los paneles grandes para minimizar el riesgo de pellizcos de la hoja y rebote.** Los paneles grandes tienden a hundirse bajo su propio peso. Se deben colocar soportes bajo el panel a ambos lados, cerca de la línea de corte y cerca del borde del panel.
- **No utilice hojas de sierra desafiladas o deterioradas.** Una hoja desafilada o mal montada producirá un corte de sierra fino, lo cual provocará una fricción excesiva de la hoja y, por tanto, mayores riesgos de torsión y rebote.
- **Antes de iniciar un corte, compruebe que los botones de ajuste de la profundidad y de la inclinación están correctamente bloqueados.** Si los ajustes de la posición de la hoja se modifican durante el corte, la hoja puede atascarse y provocar un rebote.
- **Tenga extremo cuidado al serrar en paredes existentes u otras zonas ciegas.** La hoja podría chocar contra elementos ocultos, lo que produciría un rebote.

FUNCIÓN DE PROTECCIÓN INFERIOR

- **Antes de cada utilización, compruebe que el protector inferior de la hoja recubre correctamente la hoja. No utilice la sierra si el protector inferior de la hoja no se puede accionar libremente y si no se cierra instantáneamente contra la hoja. No fije ni sujete el protector inferior de la hoja en posición abierta.** Si la sierra se cae accidentalmente, el protector de hoja inferior puede doblarse. Levante el protector de hoja inferior con la manecilla y compruebe que puede manipularlo fácilmente y que no toca la hoja ni ninguna otra pieza, independientemente del ángulo y de la profundidad de corte seleccionados.
- **Compruebe que el resorte del protector inferior de la hoja está en buen estado y funciona correctamente. Si el protector de hoja o el resorte no funcionan correctamente, hágalos reparar o reemplazar antes de volver a utilizar la sierra.** La protección inferior puede funcionar de forma lenta debido a la existencia de piezas dañadas, depósitos pegajosos o a la acumulación de residuos.
- **La protección inferior puede replegarse manualmente sólo para cortes especiales, como cortes de inmersión y cortes compuestos.** Levante el protector inferior de la hoja con la manecilla correspondiente. En cuanto la hoja penetra en la pieza, suelte el protector inferior de la hoja. Para todos los demás tipos de cortes, el protector inferior de la hoja se coloca automáticamente.
- **Cerciórese de que el protector inferior de la hoja cubra completamente la hoja antes de dejar la sierra en un banco de trabajo o en el suelo.** Si la hoja no está correctamente cubierta, puede girar por inercia y cortar lo que se encuentra en su trayectoria. Tenga presente que la hoja sigue girando durante un tiempo después de parar el motor.

AVISOS DE SEGURIDAD ADICIONALES

- **El polvo producido al utilizar este producto puede ser perjudicial para su salud, inflamable o explosivo. No inhale el polvo.** Use un sistema de extracción de polvo y una mascarilla protectora adecuada. Limpie a

fondo el polvo depositado, por ejemplo, con un cepillo limpiador y una aspiradora.

- **No utilice discos abrasivos.**
- **Evite el sobrecalentamiento de las puntas de las hojas. No utilice hojas de sierra desafiladas o deterioradas.** No fuerce la herramienta.
- **No utilice láminas de diámetro mayor o más pequeño que el recomendado.**
- Utilice dispositivos de protección para los oídos.
- **Fixe a peça de trabalho com um dispositivo de fixação.** Las piezas de trabajo mal sujetas pueden causar daños y lesiones graves.
- **Verifique a fundo o material que deseja cortar, sobretudo quando utilizar madeira reciclada, em busca de objetos estranhos como pregos, parafusos ou agrafos.** Se os pregos, parafusos ou agrfos ou outros elementos similares entrarem em contacto com a lâmina enquanto está a cortar, a serra ficará danificada e poderá provocar lesões graves no utilizador ou em outras pessoas.
- **No toque la hoja de sierra inmediatamente después de serrar.** La hoja de la sierra se calienta durante el aserrado.
- Utilice únicamente los diámetros de cuchilla indicados en las marcas.
- Identifique la cuchilla de sierra que se debe utilizar en función del material que desee cortar.
- Utilice únicamente cuchillas de sierra marcadas con una velocidad igual o superior a la especificada en la herramienta.
- Utilice solamente las cuchillas de sierra recomendadas por el fabricante, conformes con lo establecido en la norma EN 847-1, en caso de que se pretenda cortar madera o materiales similares.
- Utilice una máscara antipolvo.
- El rango de temperatura ambiente para la herramienta (producto) en funcionamiento es de entre 0 y 40 °C.
- El rango de temperatura ambiente en el entorno en el que se guarde la herramienta (producto) es de entre 0 y 40 °C.
- El rango de temperatura ambiente recomendado para el sistema de carga durante la carga es de entre 10 y 38 °C.

ADVERTENCIAS DE SEGURIDAD DE LA BATERÍA ADICIONAL

ADVERTENCIA

Para reducir el riesgo de incendio, lesión personales y daños al producto debido a un cortocircuito, no sumerja nunca la herramienta, el paquete de baterías o el cargador en líquido ni permita que fluya un fluido dentro de ellos. Los fluidos corrosivos o conductivos, como el agua de mar, ciertos productos químicos industriales y blanqueadores o lejías que contienen, etc., Pueden causar un cortocircuito.

- El rango de temperatura ambiente para la batería en uso es de entre 0 y 40 °C.

- El rango de temperatura ambiente para el almacenamiento de batería es de entre 0 y 20 °C.

TRANSPORT VON LITHIUM AKKUS

Transportieren Sie den Akku gemäß Ihren örtlichen und nationalen Bestimmungen und Regeln.

Befolgen Sie alle besonderen Anforderungen für Verpackung und Beschriftung, wenn Sie Akkus von Dritten transportieren lassen. Stellen Sie sicher, dass beim Transport kein Akku in Kontakt mit anderen Akkus oder leitenden Materialien kommt, indem Sie die freien Anschlüsse mit Isolierband, nichtleitenden Kappen oder Klebeband schützen. Transportieren Sie keine Akkus die gebrochen oder undicht sind. Befragen Sie Ihre Transportfirma nach weiteren Informationen.

RIESGOS RESIDUALES

Incluso cuando se utiliza el producto según las instrucciones, sigue siendo imposible eliminar por completo ciertos factores de riesgo residuales. Pueden surgir los siguientes riesgos durante el uso y el operador debe prestar especial atención para evitar lo siguiente:

- Lesiones por retroceso
 - Lea y comprenda la información contenida en este manual.
 - Lesiones por vibración
 - Limite la exposición. Consulte el apartado “Reducción De Riesgos”.
 - Lesiones causadas por el polvo
 - Utilice siempre gafas de protección. Use las correspondientes mascarillas antipolvo con filtros adecuados que puedan protegerlo contra el polvo del material de trabajo. No comer, beber o fumar en el área de trabajo. Asegure una ventilación adecuada del lugar de trabajo.
 - Descarga eléctrica
 - La hoja puede ponerse en contacto con cables ocultos, haciendo que las partes del producto tengan vida. Sujete siempre el producto por las asas designadas y tenga cuidado con corte ciegos en las paredes y los pisos donde los cables que puedan ocultarse.
- NOTA:** Cuando se trabaja en paredes, techos o pisos, tenga cuidado para evitar los cables eléctricos y tuberías de gas o agua.
- Lesiones debido al contacto con la lámina de corte
 - Las láminas están muy afiladas y se calientan con el uso. Use guantes para cambiar las cuchillas. Mantenga siempre las manos apartadas de la zona de corte. No sujete NUNCA la pieza trabajada con la mano o entre las piernas. Sujete la pieza de trabajo siempre que sea posible.

REDUCCIÓN DEL RIESGO

Se ha informado de que las vibraciones de las herramientas manuales pueden contribuir a una enfermedad llamada síndrome de Raynaud en ciertos individuos. Los síntomas pueden incluir hormigueo, entorpecimiento y decoloración

de los dedos, generalmente aparentes cuando tiene lugar una exposición al frío. Se considera que los factores hereditarios, exposición al frío y a la humedad, dieta, tabaquismo y prácticas de trabajo contribuyen al desarrollo de estos síntomas. Existen medidas que pueden ser tomadas por el operador para reducir los efectos de vibración:

- Mantenga su cuerpo caliente durante el tiempo frío. Al manipular la unidad, utilice guantes para mantener las manos y las muñecas calientes. Hay informes que indican que el tiempo frío es un gran factor que contribuye al síndrome de Raynaud.
- Después de cada período de funcionamiento, realice ejercicios para aumentar la circulación sanguínea.
- Haga pausas de trabajo frecuentes. Limite la cantidad de exposición por día.

Si siente alguno de los síntomas de esta enfermedad, interrumpa inmediatamente el uso y consulte a su médico estos síntomas.

⚠ ADVERTENCIA

El uso prolongado de la herramienta puede provocar o agravar lesiones. Al utilizar cualquier herramienta durante períodos prolongados asegúrese de tomar descansos regulares.

CONOZCA EL PRODUCTO

Consulte la página 109.

1. Perilla de guía del bordeado
2. Perilla de ajuste del biselado
3. Botón de bloqueo del árbol
4. Asa delantera, superficie de agarre aislada
5. Botón para liberar el gatillo
6. Gatillo del interruptor
7. Puerto de la batería
8. Junta del tubo de polvo
9. Reborde interior
10. Reborde exterior
11. Tornillo de la cuchilla
12. Llave hexagonal
13. Palanca de bloqueo del ajuste de la profundidad
14. Tope guía del bordeado
15. Hoja
16. Asa, superficie de agarre aislada

MANTENIMIENTO

⚠ ADVERTENCIA

El aparato nunca debe estar conectado a una fuente eléctrica mientras se estén montando las piezas, realizando ajustes, limpiando, llevando a cabo el mantenimiento o cuando no esté en uso. Apagar el aparato evitará que se ponga en marcha accidentalmente y cause lesiones graves.

- En las operaciones de reparación, utilice solo piezas de repuesto originales del fabricante. El uso de otras piezas puede ocasionar riesgos o daños en el producto.
- Evite el uso de disolventes para limpiar las piezas de plástico. La mayor parte de los plásticos pueden

EN
FR
DE
ES
IT
NL
PT
DA
SV
FI
NO
RU
PL
CS
HU
RO
LV
LT
ET
HR
SL
SK
BG
UK
TR
EL

resultar dañados con los disolventes que se venden en el mercado. Utilice un paño limpio para quitar las impurezas, el polvo, etc.

- No permita en ningún momento que las piezas de plástico entren en contacto con líquido de frenos, gasolina, productos derivados del petróleo, aceites penetrantes, etc. Estos productos químicos contienen sustancias que pueden deteriorar, debilitar o destruir el plástico.
- Siempre use gafas de seguridad o gafas de seguridad con protección lateral durante el funcionamiento de la herramienta eléctrica o cuando ésta desprenda polvo. Si la superficie de trabajo es polvorienta, use también una careta específica.
- Para una mayor seguridad y fiabilidad, todas las reparaciones deben ser realizadas por un centro de servicio autorizado RYOBI.

LUBRICACIÓN

Todos los cojinetes de este producto están lubricados con una cantidad suficiente de lubricante de alta calidad para la vida del producto en condiciones normales de funcionamiento. Por lo tanto, no es menester prever ninguna lubricación adicional.



No deseche los residuos de baterías, aparatos eléctricos y electrónicos como residuos municipales no clasificados. Los residuos de baterías, aparatos eléctricos y electrónicos se deben recoger de forma independiente. Los residuos de baterías, acumuladores y fuentes de luz se deben retirar de los aparatos. Consulte a sus autoridades locales o a su vendedor para obtener información sobre reciclaje y puntos de recogida. De acuerdo con lo establecido en las normativas locales, los establecimientos minoristas pueden tener la obligación de recuperar los residuos de baterías, aparatos eléctricos y electrónicos de forma gratuita. Su contribución a la hora de reutilizar y reciclar los residuos de baterías y los residuos de aparatos eléctricos y electrónicos ayuda a reducir la demanda de materias primas. Los residuos de baterías, en especial las que contienen litio, y los residuos de aparatos eléctricos y electrónicos contienen materiales valiosos que se pueden reciclar, y que podrían afectar de forma negativa al medio ambiente y a la salud humana si no se desechan de un modo medioambientalmente responsable. Si lo hubiera, elimine cualquier dato personal de los residuos de los aparatos.

SÍMBOLOS



Alerta de seguridad



Corriente directa



Madera



No corte metales



Augenschutz tragen



Gefahr! Scharfes Sägeblatt.



Nicht dem Regen aussetzen



Ancho del corte



Dientes de la hoja



Por favor lea las instrucciones detenidamente antes de arrancar la máquina.

Il design della nostra sega circolare è stata progettata per garantire sicurezza, prestazioni e affidabilità.

UTILIZZO

La sega circolare è destinata ad essere utilizzata solo da adulti che hanno letto e compreso le istruzioni e le avvertenze contenute in questo manuale e possono essere considerati responsabili delle loro azioni.

L'elettrotensile è progettato per il taglio trasversale del legno o di altri materiali simili fino a una profondità di 45 mm. Il prodotto può eseguire tagli diritti o smussati tra 0 e 50 gradi. Può essere utilizzata con la base dell'utensile in contatto con il pezzo da lavorare. Utilizzare solo in luoghi asciutti, luminosi e ben aerati.

Il prodotto è progettato per un uso portatile. Il prodotto non deve essere montato su un banco di lavoro, a meno che il produttore della sega non abbia fornito specifiche istruzioni su come eseguire il montaggio. Non utilizzare per tagliare metallo o laterizi.

Non utilizzare il prodotto in modi diversi da quelli indicati. Utilizzare l'elettrotensile per operazioni diverse da quelle indicate potrà causare situazioni pericolose.

⚠ AVVERTENZE

Leggere attentamente tutte le avvertenze, le istruzioni e le specifiche fornite con l'apparecchio e fare riferimento alle illustrazioni. La mancata osservanza delle istruzioni riportate di seguito potrebbe provocare incidenti quali incendi, scosse elettriche e/o gravi lesioni fisiche.

Conservare tutte le istruzioni e le avvertenze per eventuali riferimenti futuri.

AVVERTENZE DI SICUREZZA DELLA SEGA CIRCOLARE

PROCEDURE DI TAGLIO

⚠ PERICOLO

Tenere le mani lontane dall'area di taglio e dalla lama. La mano che non tiene l'impugnatura principale dell'apparecchio deve tenere l'impugnatura ausiliaria oppure essere posata sul carter del motore. In questo modo, le mani non rischieranno di trovarsi nella zona di taglio, sulla traiettoria della lama.

- **Non protendersi sotto il pezzo sul quale si sta lavorando.** In questo punto, il paralama non è in grado di proteggerle, in quanto non ricopre la lama.
- **Regolare la profondità di taglio in funzione dello spessore del pezzo da lavorare.** Al momento del taglio, i denti della lama non devono sporgere interamente sotto il pezzo da lavorare.
- **Non tenere MAI il pezzo da lavorare con la mano o tra le gambe. Fissarlo su un supporto stabile.** Si raccomanda di fissare correttamente il pezzo da lavorare, in modo tale da evitare eventuali rischi di lesioni e di non piegare la lama per non perdere il controllo dell'apparecchio.
- **Reggere l'utensile dalle superfici isolate quando si svolge un'operazione nella quale le lame potrebbero**

toccare dei cavi nascosti. Il contatto con un cavo "vivo" renderà "vive" anche le parti esposte in metallo dell'elettrotensile e potrebbe causare scosse elettriche.

- **Nell'effettuare un taglio parallelo, utilizzare sempre una guida di taglio parallela o un listello diritto.** In questo modo, sarà possibile migliorare la precisione di taglio ed evitare di piegare la lama.
- **Utilizzare sempre lame di dimensioni e forma idonee all'alesaggio dell'albero.** Una lama non idonea all'albero sul quale deve essere montata non è in grado di girare correttamente e potrebbe causare una perdita del controllo dell'apparecchio.
- **Non utilizzare mai viti né flange di lama difettose o inadeguate.** Le flange e le viti della lama sono state studiate appositamente per questo modello di sega, a garanzia di un livello di sicurezza e prestazioni ottimale.

CAUSE DEL RIMBALZO E AVVERTENZE CORRELATE:

- Il contraccolpo è una reazione improvvisa, che si verifica quando la lama si incastra, si piega o è erroneamente allineata; in tali condizioni, la sega si disinserisce improvvisamente dal pezzo da lavorare e rimbalza con violenza in direzione dell'operatore.
- Se si incastra nel legno, la lama si blocca e il motore, che invece continua a girare, scaglia la sega nella direzione opposta al senso di rotazione della lama, vale a dire verso l'operatore.
- Se la lama si piega o è erroneamente allineata, i denti situati nella sua parte posteriore rischiano di penetrare nella superficie del legno, facendo uscire bruscamente la lama dal pezzo da lavorare, in direzione dell'operatore.

Il contraccolpo è pertanto il risultato di un utilizzo errato dell'apparecchio e/o di procedimenti o di condizioni di taglio inappropriati. Questa evenienza può essere evitata assicurandosi di adottare alcune misure precauzionali.

- **Tenere saldamente la sega con entrambe le mani e posizionare le braccia in modo tale che possano controllare un eventuale contraccolpo.** Durante l'esecuzione del lavoro, collocarsi su un lato della sega: non rimanere mai lungo l'asse della lama. Il contraccolpo fa sì che la sega venga scagliata improvvisamente all'indietro, ma questo movimento può essere tenuto sotto controllo se l'operatore lo prevede e si prepara all'evenienza.
- **Qualora la lama si incastri o si debba interrompere il taglio per un motivo qualsiasi, rilasciare il grilletto e mantenere la sega nel pezzo da lavorare, sino a quando la lama non cessa completamente di girare. Non tentare di rimuovere la motosega dal pezzo sul quale si sta lavorando o di ritirarla mentre la lama è in funzione, in caso contrario si verificherà un rimbalzo.** Se la lama si incastra, individuare la causa e adottare le misure necessarie affinché ciò non si verifichi più.
- **Prima di riavviare la sega per riprendere un'operazione di taglio, allineare correttamente la lama rispetto al taglio ed assicurarsi che i denti non tocchino il pezzo da lavorare.** Se la lama è incastrata nel pezzo da lavorare, al momento della messa in funzione della sega può verificarsi un contraccolpo.

- **Non dimenticare di sorreggere i pezzi lunghi, onde evitare che la lama si incastri e limitare pertanto i rischi di contraccolpo.** I pezzi lunghi tendono infatti a flettersi sotto il loro stesso peso. È possibile sistemare appositi supporti su entrambi i lati del pezzo, accanto alla linea di taglio e a livello dell'estremità del pezzo.
- **Non utilizzare lame smussate o danneggiate.** Una lama non affilata o montata erroneamente genera un taglio sottile, che dà luogo ad un attrito eccessivo della lama e pertanto a maggiori rischi di torsione e di contraccolpo.
- **Prima di iniziare un'operazione di taglio, assicurarsi che le manopole di regolazione della profondità e dell'inclinazione siano adeguatamente bloccate.** Se le regolazioni della posizione della lama si modificano durante il taglio, la lama rischia infatti di incastrarsi e può verificarsi un contraccolpo.
- **Fare ulteriore attenzione quando si svolgono operazioni di taglio in muri già esistenti o altre aree cieche.** La lama potrebbe urtare elementi nascosti, con conseguente pericolo di contraccolpo.

FUNZIONE PARALAME INFERIORE

- **Prima di ogni utilizzo, verificare che il paralama inferiore circola correttamente la lama. Non utilizzare la sega circolare se il paralama inferiore non può essere azionato liberamente e se non si ripiega istantaneamente sulla lama. Non fissare né bloccare mai il paralama inferiore in posizione aperta.** Se la sega cade accidentalmente, il paralama inferiore potrebbe piegarsì. Sollevare il paralama inferiore servendosi dell'apposita leva ed assicurarsi che possa essere maneggiato senza difficoltà e che non tocchi né la lama né altri componenti, indipendentemente dall'angolo e dalla profondità di taglio prescelti.
- **Assicurarsi che la molla del paralama inferiore sia in buono stato e funzioni correttamente. Se il paralama o la molla non funzionano correttamente, farli riparare o sostituire prima di utilizzare la sega.** La lama inferiore potrebbe funzionare lentamente a causa di parti danneggiate, depositi gommosi o materiale di scarto in esubero.
- **La lama inferiore potrà essere ritratta manualmente solo per tagli speciali come "tagli a tuffo" e "tagli composti".** Sollevare il paralama inferiore mediante l'apposita leva. Non appena la lama entra nel pezzo da lavorare, rilasciare il paralama inferiore. Per tutti gli altri tipi di taglio il paralama inferiore si posiziona automaticamente.
- **Prima di posare la sega su un banco da lavoro o sul pavimento, assicurarsi sempre che il paralama inferiore copra adeguatamente la lama.** Se la lama non è coperta correttamente, può ruotare per inerzia e tagliare ciò che si trova sulla propria traiettoria. Non dimenticare mai che la lama continua a girare ancora per qualche tempo dopo l'arresto del motore.

ULTERIORI AVVERTENZE DI SICUREZZA

- **La polvere prodotta mentre si utilizza il prodotto potrà essere pericolosa per la salute, infiammabile**

o esplosiva. Non inalare la polvere. Utilizzare un sistema di estrazione polvere e indossare una maschera di protezione dalla polvere adatta. Rimuovere completamente la polvere che si è depositata sulle superfici con un aspirapolvere.

- **Non utilizzare mai dischi abrasivi.**
- **Non surriscaldare le punte delle lame. Non utilizzare lame smussate o danneggiate.** Non forzare l'utensile.
- **Non utilizzare lame di un diametro più grande o più piccolo di quello raccomandato.**
- Indossare cuffie di protezione.
- **Agganciare il pezzo sul quale si sta lavorando con un morsetto.** Pezzi non assicurati correttamente potranno causare gravi lesioni e danni.
- **Controllare attentamente il materiale da tagliare, in modo particolare quando si utilizza legno riciclato, per individuare oggetti come chiodi, viti e fermagli.** Nel caso in cui chiodi, viti, fermagli ed altri elementi simili entrassero in contatto con la lama durante le operazioni di taglio, la sega circolare si danneggerà e l'operatore sarà esposto a gravi rischi.
- **Non toccare la lama di taglio subito dopo aver svolto le operazioni di taglio.** La lama si riscalda durante le operazioni di taglio.
- Utilizzare diametri di lama in base alle marcature.
- Identificare la lama per sega corretta da utilizzare per il materiale da tagliare.
- Utilizzare solo le lame per sega che sono indicate con una velocità pari o superiore a quella sullo strumento.
- Utilizzare solo le lame per sega consigliate dal produttore, conformi alla EN 847-1, se pensate per il legno o materiali simili.
- Indossare una maschera per la polvere.
- L'intervallo della temperatura ambiente per l'utensile durante l'azionamento rientra tra 0 °C e 40 °C.
- L'intervallo della temperatura ambiente per la conservazione dell'utensile rientra tra 0 °C e 40 °C.
- L'intervallo della temperatura ambiente raccomandato per il sistema di carica durante la carica rientra tra 10 °C e 38 °C.

AVVERTENZE AGGIUNTIVE PER LA SICUREZZA DELLA BATTERIA

AVVERTENZE

Per ridurre il rischio d'incendio, di lesioni o di danni al prodotto causati da corto circuito, non immergere mai l'utensile, la batteria ricaricabile o il carica batterie in un liquido e non lasciare mai penetrare alcun liquido all'interno dei dispositivi e delle batterie. I fluidi corrosivi o conduttori come acqua salata, alcuni agenti chimici, agenti candeggianti o prodotti contenenti agenti candeggianti potrebbero provocare un corto circuito.

- L'intervallo della temperatura ambiente per la batteria durante l'utilizzo rientra tra 0 °C e 40 °C.
- L'intervallo della temperatura ambiente per la conservazione della batteria rientra tra 0 °C e 20 °C.

TRASPORTARE BATTERIE AL LITIO

Trasportare la batteria secondo quando indicato dalle norme e regolamentazioni locali e nazionali.

Seguire tutte le istruzioni speciali riportate sulla scatola e sull'etichetta quando si fanno trasportare batterie da eventuali terzi. Assicurarsi che le batterie non entrino in contatto con altre batterie o materiali conduttivi durante il trasporto proteggendo i connettori esposti con tappi isolanti, non conduttivi o nastro adesivo. Non trasportare batterie rotte o che perdono liquidi. Rivolgersi alla ditta distributrice per ulteriori consigli.

RISCHI RESIDUI

Anche quando il prodotto viene utilizzato come indicato, sarà ancora impossibile eliminare completamente alcuni fattori di rischio residuo. Si potranno verificare i seguenti rischi e l'operatore dovrà prestare particolare attenzione per evitare quanto segue:

- Lesioni causate da rimbalzi
 - Leggere e comprendere le informazioni contenute nel presente manuale.
- Lesioni causate da vibrazioni
 - Limitare l'esposizione. Vedere "Riduzione Rischio".
- Lesioni causate dalla polvere
 - Indossare sempre occhiali di protezione. Indossare un'adeguata maschera per il controllo della polvere con filtri che siano in grado di proteggere dalla polvere prodotta dal materiale sul quale si sta lavorando. Non mangiare, bere, né fumare nell'area di lavoro. Assicurarsi una adeguata ventilazione del luogo di lavoro.
- Scosse elettriche
 - La lama potrà entrare in contatto con cavi nascosti, causando a parti del prodotto di entrare in tensione. Reggere sempre il prodotto dai manici indicati e avere cura quando si eseguono tagli ciechi in muri e pavimenti ove si possono nascondere cavi.

NOTE: Quando si lavora su pareti, soffitti o pavimenti, evitare cavi elettrici o tubi del gas o dell'acqua.

- Lesioni da contatto con lame di taglio
 - Le lame sono molto affilate e si surriscaldano durante l'utilizzo. Indossare guanti quando si cambiano le lame. Tenere sempre le mani lontane dalle zone di taglio. Non tenere MAI il pezzo da lavorare con la mano o tra le gambe. Ancorare il pezzo sul quale si sta lavorando ogniqualvolta sia possibile.

RIDUZIONE DEL RISCHIO

E' stato fatto presente che le vibrazioni da utensili a mano potrebbero contribuire a una condizione chiamata Sindrome di Raynaud in alcuni individui. I sintomi, comprendenti formicolio, intorpidimento e perdita di colore alle dita, si verificano di solito quando ci si espone al freddo. Fattori ereditari, esposizione a freddo e umidità, una dieta scorretta, fumo e condizioni di lavoro non sicure potranno contribuire allo sviluppo di questi sintomi. E' possibile prendere delle precauzioni per ridurre le vibrazioni:

- Tenere il corpo al caldo a basse temperature. Quando si utilizza l'utensile, indossare guanti e tenere le mani e i polsi caldi. Le basse temperature contribuiscono a causare la Sindrome di Raynaud.
- Dopo aver utilizzato l'utensile per un certo periodo, fare degli esercizi per stimolare la circolazione del sangue.
- Fare spesso delle pause. Limitare la quantità di esposizione giornaliera.

Nel caso in cui si provino i sintomi di questa condizione, interrompere immediatamente l'utilizzo dell'utensile e consultare un dottore.

AVVERTENZE

L'utilizzo prolungato dell'utensile potrà causare o aggravare lesioni già esistenti. Quando si utilizza questo utensile per periodi di tempo prolungati, assicurarsi di fare sempre delle pause regolari.

FAMILIARIZZARE CON IL PRODOTTO

Vedere a pagina 109.

1. Manopola guida bordature
2. Manopola regolazione smussatura
3. Pulsante di bloccaggio dell'albero
4. Impugnatura frontale con superficie isolata antiscivolo
5. Pulsante di sblocco del grilletto
6. Grilletto interruttore
7. Porta batterie
8. Raccordo tubature polvere
9. Flangia interna
10. Flangia esterna
11. Vite lama
12. Chiave esagonale
13. Leva di blocco regolazione profondità
14. Schermo guida bordature
15. Lama
16. Impugnatura con superficie isolata antiscivolo

MANUTENZIONE

AVVERTENZE

Questo prodotto non dovrà mai essere collegato all'alimentazione mentre si montano le sue parti, svolgono regolazioni, operazioni di pulizia e manutenzione o quando il prodotto non viene utilizzato. Scollegare il prodotto per prevenire l'avvio accidentale che potrà causare gravi lesioni.

- Quando si svolgono operazioni di manutenzione, utilizzare solo parti di ricambio originali della ditta produttrice. Utilizzare parti di ricambio diverse potrebbe causare rischi o danneggiare il prodotto.
- Evitare di utilizzare solventi quando si puliscono le parti in plastica. La maggior parte dei materiali plastici rischia di essere danneggiata dall'uso dei solventi disponibili in commercio. Utilizzare un panno pulito per rimuovere lo sporco, la polvere, ecc.
- Non lasciare che liquidi per freni, benzina, prodotti a base di petrolio, oli penetranti, ecc, entrino in contatto con le parti in plastica. Tali prodotti chimici contengono

sostanze che possono danneggiare, indebolire o distruggere la plastica.

- Indossare sempre occhiali di sicurezza o occhiali di sicurezza con schermi laterali durante le operazioni con l'elettrotensile o quando si aspira della polvere. Nel caso in cui si preveda che le operazioni di lavoro causeranno polvere, indossare sempre una maschera anti-polvere.
- Per una maggior sicurezza e affidabilità, tutte le riparazioni dovranno essere svolte da un centro servizi autorizzato RYOBI.

LUBRIFICAZIONE

Tutti i cuscinetti in questo prodotto sono stati lubrificati con una quantità di lubrificante ad alto indice di viscosità per tutta la durata del prodotto nelle normali condizioni di funzionamento. Di conseguenza, non è necessario effettuare alcuna lubrificazione supplementare.



Non smaltire le batterie scariche e altre apparecchiature elettriche ed elettroniche come normali rifiuti. Le batterie scariche e i dispositivi elettrici ed elettronici dovranno essere raccolti separatamente. Le batterie usate, gli accumulatori e le fonti luminose non più utilizzabili dovranno essere rimossi dall'apparecchiatura. Consultare l'autorità locale o il rivenditore per consigli sullo smaltimento e il punto di raccolta. In base alle normative locali i rivenditori potrebbero avere l'obbligo di riprendersi le batterie usate e le apparecchiature elettriche ed elettroniche gratuitamente. Il vostro contributo al riciclaggio delle batterie e delle apparecchiature elettriche ed elettroniche aiuta a ridurre la richiesta di materie prime. Le batterie usate, in particolare quelle che contengono litio e le apparecchiature elettriche ed elettroniche contengono materiali preziosi e riciclabili che potrebbero avere un impatto avverso sull'ambiente e la salute umana, se non smaltiti in un modo ecocompatibile. Eliminare i dati personali, se presenti, dalle apparecchiature da buttare.

SIMBOLI



Indicazioni sicurezza



Corrente diretta



Legno



Non tagliare metalli



Indossare occhiali di protezione



Pericolo! Lama affilata.



Non esporre a pioggia



Ampiezza di taglio



Denti lame



Leggere attentamente le istruzioni prima di avviare l'utensile.

Veiligheid, prestaties en betrouwbaarheid hebben bij het ontwerp van uw cirkelzaag altijd de hoogste prioriteit gekregen.

BEOOGD GEBRUIK

De cirkelzaag mag uitsluitend worden gebruikt door volwassenen die de instructies en waarschuwingen in deze handleiding hebben gelezen en die verantwoordelijk kunnen worden gehouden voor hun acties.

Het product is ontworpen voor het schulp- en afkortzagen van hout tot op een maximale diepte van 45 mm. Het product kan rechte of afgeronde sneden maken van tussen 0 en 50 graden. Het moet zo worden gebruikt dat de onderzijde van het gereedschap in contact is met het werkstuk. Het mag uitsluitend worden gebruikt in een droog, goed verlicht en goed geventileerd gebied.

Het product is ontworpen voor draagbaar gebruik. Het product mag niet worden gemonteerd op een werkbank, tenzij de fabrikant van de zaag specifieke instructies heeft gegeven over hoe dat moet worden gedaan. Niet gebruiken om metaal of metselwerk te zagen.

Gebruik het product niet voor andere doeleinden dan waarvoor het is bestemd. Het gebruik van het werktuig voor niet-voorgescreven gebruik kan leiden tot gevaarlijke situaties.

WAARSCHUWING

Lees aandachtig alle waarschuwingen, aanwijzingen en specificaties die bij deze machine worden meegeleverd en bestudeer de afbeeldingen. Als u onderstaande voorschriften niet opvolgt, kan dit leiden tot ongelukken zoals brand, elektrische schokken en/of ernstig lichamelijk letsel.

Bewaar alle waarschuwingen en instructies voor toekomstig gebruik.

VEILIGHEIDSWAARSCHUWINGEN VAN DE CIRKELZAAG

ZAAGPROCEDURES

GEVAAR

Houd handen weg van het zaagberek en zaagblad. De hand waarmee u de hoofdhandgreep niet vasthoudt moet de hulphandgreep vasthouden of op de motorombouw rusten. Op die manier loopt u niet het gevaar dat uw handen in het zaagblad grijpen.

- **Raak niet onder het werkstuk.** Hier bestaat groot gevaar omdat de beschermkap hier het zaagblad niet bedekt.
- **Stel de zaagdiepte af al naar gelang de dikte van het werkstuk.** De tanden van het zaagblad mogen tijdens het zagen niet helemaal onder het werkstuk uitkomen.
- **Houd het werkstuk NOOIT met uw hand of tussen uw benen vast. Maak het werkstuk vast op een stabiele ondergrond.** Het is van uiterst belang om het werkstuk goed vast te maken om lichamelijk letsel te voorkomen en om het zaagblad niet te verbuigen waardoor u de macht over de machine zou kunnen verliezen.

- **Houd de machine aan de geïsoleerde handvatten vast wanneer u werkt op plaatsen waar de accessoire een verborgen snoer kan raken.** Contact met een snoer dat onder spanning staat, zal ertoe leiden dat blootgestelde metalen onderdelen van de machine onder spanning komen te staan, waardoor de gebruiker een elektrische schok kan krijgen.
- **Gebruik altijd een parallelgeleider of een rechte lat bij het schulpen.** Zo werkt u veel nauwkeuriger en voorkomt u dat het zaagblad wordt verbogen.
- **Gebruik altijd zaagbladen waarvan de grootte en de vorm geschikt zijn voor de dikte van de as.** Zaagbladen die niet geschikt zijn voor de as waarop ze moeten worden gemonteerd zullen niet op de juiste manier ronddraaien en kunnen u de macht over de machine doen verliezen.
- **Gebruik nooit schroeven of flenzen afkomstig van defecte of verkeerde zaagbladen.** De flenzen en de zaagbladschroeven zijn speciaal bedoeld voor uw type zaagmachine en verschaffen optimale zekerheid en prestaties.

TERUGSLAGOORZAKEN EN VERWANTE WAARSCHUWINGEN:

- Een terugslag is een plotselinge reactie die optreedt wanneer het zaagblad zich vastklemt of verbuigt of als het blad verkeerd is uitgelijnd; de zaagmachine komt plotseling los uit het werkstuk en slaat met geweld terug in de richting van de gebruiker.
- Wanneer het zaagblad zich in het hout vastklemt, komt het blad plotseling tot stilstand en de motor, die door blijft draaien, werpt de zaagmachine in de tegenovergestelde richting van de draairichting van het zaagblad, dat wil zeggen naar de gebruiker toe.
- Als het zaagblad verbogen raakt of verkeerd is uitgelijnd, bestaat het gevaar dat de tanden die zich aan de andere kant van het zaagblad bevinden, zich in het houtoppervlak drukken, wat het zaagblad plotseling uit het werkstuk doet springen in de richting van de gebruiker.

Terugslag is dus het gevolg van foutief gebruik van de machine en/of van onjuiste procedures of omstandigheden. Terugslag kan worden vermeden door de volgende voorzorgsmaatregelen te nemen.

- **Pak de zaagmachine stevig met twee handen vast en houd uw armen zo dat ze een eventuele terugslag kunnen opvangen. Ga altijd aan één kant van het zaagblad staan als u met de zaagmachine werkt, nooit in het verlengde van het zaagblad.** Een terugslag werpt de zaagmachine plotseling naar achteren, maar deze beweging kan worden opgevangen als de gebruiker daarop bedacht is en zich daarop voorbereidt.
- **Wanneer de zaagmachine vastloopt of als u het zagen om de één of andere reden wilt onderbreken, laat u de drukschakelaar los en houd u de zaagmachine net zolang in het werkstuk tot het blad geheel tot stilstand is gekomen. Probeer de zaag nooit uit het werkstuk te verwijderen of de zaag terug te trekken wanneer het blad in beweging is,**

EN
FR
DE
ES
IT
NL
PT
DA
SV
FI
NO
RU
PL
CS
HU
RO
LV
LT
ET
HR
SL
SK
BG
UK
TR
EL

anders kan deze terugslaan. Als het zaagblad zich vastklemt, dient u de oorzaak daarvan op te zoeken en de nodige maatregelen nemen om te voorkomen dat het nog eens gebeurt.

- **Voordat u de zaagmachine opnieuw aanzet om door te gaan met zagen, dient u het zaagblad goed uit te lijnen met de zaagsnede en te zorgen dat de tanden niet in aanraking zijn met het werkstuk.** Als het zaagblad zit vastgeklemd in het werkstuk, bestaat het gevaar dat er een terugslag optreedt zodra u de zaagmachine aanzet.
- **Ondersteun lange werkstukken om te voorkomen dat het zaagblad vast komt te zitten en om op die manier het gevaar van terugslag te vermijden.** Lange werkstukken hebben de neiging onder hun eigen gewicht door te buigen. U kunt aan twee kanten van het werkstuk voor ondersteuning zorgen, dicht bij de zaaglijn en aan het uiteinde van het werkstuk.
- **Gebruik geen botte of beschadigde zaagbladen.** Botte of verkeerd gemonteerde zaagbladen veroorzaken een dunne snede die een buitengewone wrijving van het zaagblad met zich meebrengt en dus een groter gevaar oplevert voor verbuigen en terugslag.
- **Controleer of de instelknoppen voor zaagdiepte en afschuinhoek goed zijn geblokkeerd voordat u begint met zagen.** Als de afstellingen van het zaagblad tijdens het zagen veranderen, bestaat de kans dat het zaagblad zich vastklemt en dat er een terugslag optreedt.
- **Wees extra voorzichtig wanneer u in bestaande muren of andere blinde plaatsen boort.** Het zaagblad zou in aanraking kunnen komen met verborgen elementen met kans op een terugslag.

ONDERSTE BESCHERMFUNCTIE

- **Controleer steeds of de onderste beschermkap het zaagblad wel goed bedekt voordat u de machine gebruikt. Gebruik de zaagmachine niet als de onderste beschermkap niet vrij kan worden bewogen en als het niet onmiddellijk over het zaagblad terugklapt. Blokkeer of bevestig de onderste beschermkap nooit in de geopende stand.** Als de zaagmachine per ongeluk valt, zou de onderste beschermkap verbogen kunnen worden. Zet de onderste beschermkap met behulp van de knop omhoog en controleer of de kap zonder moeite kan worden bewogen en nooit met het zaagblad of enig ander onderdeel in aanraking komt, ongeacht de zaaghoek of de zaagdiepte.
- **Controleer of de veer van de onderste beschermkap in goede staat verkeert en naar behoren werkt. Als de beschermkap of de veer niet goed werkt, dient u deze te laten repareren of te vervangen voordat u de zaagmachine gaat gebruiken.** De neergelaten beschermkap kan traag werken vanwege beschadigde onderdelen, plakkerige afzettingen of een opstapeling van vuil.
- **De neergelaten beschermkap mag uitsluitend handmatig worden teruggetrokken voor speciale**

insneden, zoals "insteekzaagsneden" en "samengestelde zaagsneden". Zet de onderste beschermkap omhoog, daarna dient u de onderste kap meteen los te laten zodra het zaagblad in het werkstuk dringt. Voor alle andere typen zaagsneden regelt de onderste beschermkap zich zelf automatisch.

- **Controleer of de onderste beschermkap wel goed over het zaagblad zit voordat u de zaagmachine op een werkbank of op de grond neerzet.** Als het zaagblad niet goed is afgedekt, kan het door inertie nog draaien en alles wat zich in zijn baan bevindt doorzagen. Wees erop bedacht dat het zaagblad nog enige tijd blijft doordraaien nadat u de motor heeft uitgezet.

AANVULLENDE VEILIGHEIDSWAARSCHUWINGEN

- **Het stof dat tijdens het gebruik van het product wordt veroorzaakt, kan schadelijk zijn voor uw gezondheid, ontlambaar of explosief. De stof niet inademen.** Gebruik een stofextractiesysteem en draag een geschikte stofmasker. Verwijder de neergeslagen stof zorgvuldig, bijv. met een stofzuiger.
- **Monteer nooit een slijpschijf op dit apparaat.**
- **Vorkom dat de zaagbladpunten oververhitten. Gebruik geen botte of beschadigde zaagbladen.** Forceer de machine niet.
- **Gebruik geen zaagbladen met een grotere of kleinere diameter dan aangewezen.**
- **Draag gehoorbescherming.**
- **Klem het werkstuk met een klem vast.** Werkstukken die niet zijn vastgeklemd kunnen ernstige letsels en schade veroorzaken.
- **Controleer het materiaal dat moet worden gezaagd grondig op vreemde voorwerpen, zoals nagels, schroeven en nietjes, in het bijzonder wanneer u gerecycled hout gebruikt.** Als er nagels, schroeven, nietjes of gelijkaardige voorwerpen tijdens het zagen in contact komen met het zaagblad, kan de zaagmachine beschadigd raken en ernstige verwondingen veroorzaken aan de gebruiker of anderen.
- **Het zaagblad direct na het zagen niet aanraken.** Het zaagblad wordt warm tijdens het gebruik.
- **Gebruik alleen bladdiameter(s) die overeenkomen met de markeringen.**
- **Kies het juiste zaagblad voor het te zagen materiaal.**
- **Gebruik alleen zaagbladen die geschikt zijn voor een toerental (snelheid) dat gelijk is of hoger dan het toerental dat vermeld staat op het gereedschap.**
- **Gebruik alleen door de fabrikant aanbevolen zaagbladen die voldoen aan de richtlijn EN 847-1, indien bedoeld voor het zagen van hout en vergelijkbaar materiaal.**
- **Draag een stofmasker.**
- **Toegestane omgevingstemperatuur voor het gereedschap tijdens gebruik ligt tussen 0 °C en 40 °C.**
- **Toegestane omgevingstemperatuur voor het gereedschap bij opslag ligt tussen 0 °C en 40 °C.**
- **De aanbevolen omgevingstemperatuur voor het laadsysteem tijdens het laden ligt tussen 10 °C en 38 °C.**

**EXTRA WAARSCHUWINGEN
BATTERIJVEILIGHEID**

⚠ WAARSCHUWING
 Voorkom brand, persoonlijk letsel of materiële schade door kortsluiting en dompel het gereedschap, de wisselaccu en het laadtoestel niet onder in vloeistoffen en waarborg dat geen vloeistoffen in de apparaten en accu's kunnen dringen. Corrosieve of geleidende vloeistoffen zoals zout water, bepaalde chemicaliën, bleekmiddelen of producten die bleekmiddelen bevatten, kunnen een kortsluiting veroorzaken.

- Toegestane omgevingstemperatuur voor de accu tijdens gebruik ligt tussen 0 °C en 40 °C.
- Toegestane omgevingstemperatuur voor opslag van de accu ligt tussen 0 °C en 20 °C.

VERVOEREN VAN LITHIUM BATTERIJEN

Vervoer de accu in overeenstemming met de plaatselijke en nationale voorzieningen en regelgevingen.

Volg alle speciale vereisten op de verpakking en etiketten bij het vervoeren van batterijen door een derde partij. Zorg dat de batterijen tijdens het vervoer niet in contact komen met andere batterijen of geleidende materialen door de blootliggende aansluitpunten te beschermen met een isolerende, niet-geleidende dop of tape. Geen gekraakte of lekkende accu's vervoeren. Controleer bij het doorsturende bedrijf voor verder advies.

RESTRISCO'S

Zelfs wanneer het product zoals voorgeschreven wordt gebruikt, blijft het onmogelijk om alle restrisco's te voorkomen. De volgende gevaren kunnen optreden bij gebruik en de gebruiker dient speciaal op te letten om het volgende te voorkomen:

- Letsel veroorzaakt door terugslag
 - Zorg ervoor dat u de informatie in deze handleiding leest en begrijpt.
- Letsel veroorzaakt door trillingen
 - Beperk blootstelling. Zie "Risico's Beperken".
- Verwonding veroorzaakt door stof
 - Draag altijd gezichtsbescherming. Draag een geschikt stofmasker met aangepaste filters die bescherming kunnen bieden tegen het materiaal dat wordt bewerkt. Eten, drinken of roken verboden in het werkgebied. Zorg voor voldoende ventilatie op de werkplaats.
- Elektrische schok
 - Het zaagblad kan in contact komen met verborgen kabels, waardoor bepaalde onderdelen van het product onder spanning komen te staan. Houd het product altijd aan de aangegeven handvatten vast en wees voorzichtig wanneer u in een muur of vloer zaagt, waar kabels verborgen kunnen zijn.

OPMERKING: Wanneer u werkt in muren, plafonds of vloeren, moet u voorzichtig zijn om elektrische kabels en gas- of waterleidingen te vermijden.

- Letsels door contact met het zaagblad
 - De zaagbladen zijn heel scherp en worden tijdens gebruik warm. Draag handschoenen wanneer u de zaagbladen vervangt. Houd steeds de handen weg van het zaagbereik. Houd het werkstuk NOOIT met uw hand of tussen uw benen vast. Klem het werkstuk indien mogelijk vast.

RISICOBEPERKING

Vibraties van handgereedschap kan in bepaalde individuele gevallen leiden tot het syndroom van Raynaud. Symptomen kunnen ondermeer tintelingen, gevoelloosheid en bleek worden van de vingers omvatten, wat normaal gezien duidelijk wordt bij blootstelling aan koude. Erfelijke factoren, blootstelling aan koude en vocht, dieet, roken en werkroutine kunnen allemaal bijdragen tot de ontwikkeling van deze symptomen. Er kunnen door de bediener maatregelen worden genomen om de gevolgen van de trillingen te beperken:

- Houd bij koud weer uw lichaam warm. Draag handschoenen wanneer u de machine gebruikt om handen en polsen warm te houden. Men neemt aan dat koud weer een belangrijke factor is die bijdraagt tot het Syndroom van Raynaud.
- Doe oefeningen om de bloeddorstroming te bevorderen na elke periode van gebruik.
- Neem regelmatig een pauze. Beperk het aantal uren dat u per dag wordt blootgesteld.

Wanneer u enige van de symptomen van deze aandoening ervaart, stop dan onmiddellijk met het gebruik van het toestel en raadpleeg uw dokter

⚠ WAARSCHUWING

Letsels kunnen optreden of verergeren door langdurig gebruik van een gereedschap. Als u een werktuig gedurende langere periodes gebruikt, neem dan regelmatig pauze.

KEN UW PRODUCT

Zie pagina 109.

1. Randgeleidknop
2. Afschuinafstelknop
3. Asvergrendelingsknop
4. Hendel voorzijde, geïsoleerd grijpoppervlak
5. Ontgrendelknop van de drukschakelaar
6. Aan-/uitschakelaar
7. Accupoort
8. Stofpijpscherm
9. Binnenste flens
10. Buitenflens
11. Bladschroef
12. Inbussleutel
13. Diepteafstellingsvergrendelingshendel
14. Randgeleider
15. Zaagblad
16. Hendel, geïsoleerd grijpoppervlak

ONDERHOUD

⚠ WAARSCHUWING

Het product mag nooit worden aangesloten op de netvoeding bij het aansluiten van onderdelen, maken van afstellingen, schoonmaken, uitvoeren van onderhoud of als het product niet wordt gebruikt. Ontkoppelen van het product voorkomt accidenteel opstarten, wat ernstig letsel kan veroorzaken.

- Gebruik voor het onderhoud uitsluitend originele vervangingsonderdelen van de fabrikant. Gebruik van niet originele onderdelen kan gevaar opleveren of schade aan de machine veroorzaken.
- Voorkom het gebruik van oplosmiddelen wanneer u kunststof onderdelen reinigt. De meeste kunststoffen kunnen worden beschadigd door de in de handel zijnde oplosmiddelen. Gebruik een schone doek om vuil of stof te verwijderen.
- Remvloeistof, benzine, producten op basis van petroleum, kruitolie, enz mogen nooit in contact komen met kunststof onderdelen. Deze chemicaliën bevatten namelijk stoffen die kunststof kunnen beschadigen, verzwakken of aantasten.
- Draag altijd een veiligheidsbril of gezichtsbescherming met zijdelingse bescherming terwijl u het werktuig gebruikt of wanneer u stof blaast. Als het werk stof veroorzaakt, draag dan ook een stofmasker.
- Voor meer veiligheid en betrouwbaarheid, moeten alle herstellingen door een geautoriseerd RYOBI onderhoudscentrum worden uitgevoerd.

SMERING

Alle lagers in het product zijn gesmeerd met voldoende kwalitatief smeermiddel voor de gehele levensduur van het product bij normale gebruiksomstandigheden. Extra smering is daarom niet noodzakelijk.



Maaibreedte



Zaagbladtanden



Lees de instructies zorgvuldig voordat u de machine in gebruik neemt.

Gooi afgedankte elektrische en elektronische apparatuur niet weg als ongesorteerd gemeentelijk afval. Afgedankte elektrische en elektronische apparatuur moet afzonderlijk worden ingezameld. Afvalbatterijen, afvalaccu's en lichtbronnen moeten uit de apparatuur worden verwijderd. Neem contact op met uw gemeente of winkelier voor advies over recycling en het inzamelpunt. Volgens de plaatselijke voorschriften kunnen winkeliers verplicht zijn afgedankte elektrische en elektronische apparatuur kosteloos terug te nemen. Uw bijdrage aan hergebruik en recycling van afgedankte batterijen en afgedankte elektrische en elektronische apparatuur helpt de vraag naar grondstoffen te verminderen. Afgedankte batterijen, in het bijzonder deze die lithium bevatten, en afgedankte elektrische en elektronische apparatuur bevatten waardevolle en recycleerbare materialen, die een negatief effect kunnen hebben op het milieu en de volksgezondheid, indien ze niet op een milieuvriendelijke manier worden verwijderd. Verwijder eventuele persoonlijke gegevens van afgedankte apparatuur.



SYMBOLEN



Veiligheidswaarschuwing



Gelijkstroom



Hout



Zaag geen metalen



Draag gezichtsbescherming



Gevaar! Scherp zaagblad.



Niet aan regen blootstellen

No design da nossa serra circular demos prioridade à segurança, ao desempenho e à fiabilidade.

UTILIZAÇÃO PREVISTA

A serra circular destina-se a ser utilizada por adultos que tenham lido e compreendido as instruções e os avisos neste Manual e que possam ser considerados responsáveis pelas suas ações.

O produto foi concebido para o corte transversal de madeira ou materiais similares até uma profundidade máxima de 45 mm. O produto tem capacidade para a realização de cortes em linha reta e biselados entre 0 e 50 graus. Durante a utilização, mantenha a base da ferramenta encostada à peça de trabalho. Apenas deverá ser utilizada numa área seca, bem iluminada e bem ventilada.

O produto foi concebido para ser manipulado directamente com as mãos. O produto não se destina a ser montado numa bancada de trabalho, excepto quando o fabricante da serra der instruções específicas sobre como fazer essa montagem. Não use para cortar metal ou alvenaria.

Utilize o produto exclusivamente para o uso para o qual foi concebido. O uso da ferramenta eléctrica para as operações diferentes daquelas a que se destina podem causar uma situação perigosa.

⚠ AVISO

Leia com atenção todas as advertências, instruções e especificações fornecidas com a ferramenta, e consulte as ilustrações. O incumprimento das instruções seguintes pode ocasionar acidentes como incêndios, choques eléctricos e/ou ferimentos graves.

Guarde todos os avisos e instruções para futuras consultas.

AVISOS DE SEGURANÇA DA SERRA CIRCULAR

PROCEDIMENTOS DE CORTE

⚠ PERIGO

Mantenha as mãos afastadas da área de corte e da lâmina. A mão que não segura a pega principal da ferramenta deve segurar a pega auxiliar ou então ficar sobre a carcaça motor. Desta maneira, as suas mãos não correm o risco de ficar na zona de corte, na trajectória da lâmina.

- **Não tente alcançar a parte de baixo da peça de trabalho.** neste lugar, o protector da lâmina não pode protegê-lo porque não cobre a lâmina.
- **Ajuste a profundidade de corte em função da espessura da peça a trabalhar.** Os dentes da lâmina não devem ultrapassar completamente debaixo da peça a trabalhar durante o corte.
- **NUNCA segure a peça a trabalhar com a mão ou entre as pernas. Fixe-a num suporte estável.** É primordial que fixe correctamente a peça a trabalhar para evitar qualquer risco de ferimentos e não dobrar a lâmina para não perder o controlo da ferramenta.
- **Segure a ferramenta eléctrica pelas superfícies de pega isoladas, ao realizar uma operação em que o acessório possa entrar em contacto com fios**

eléctricos escondidos. O contacto com um cabo com corrente fará com que as partes metálicas da ferramenta eléctrica se carreguem e pode provocar uma descarga eléctrica ao operário.

- **Utilize sempre uma guia de corte paralelo ou uma ripa direita quando fizer um corte paralelo.** A precisão do corte será melhorada e evitará os riscos de dobragem da lâmina.
- **Utilize sempre lâminas de tamanho e de forma adaptadas ao furo do eixo.** Lâminas não adaptadas ao eixo onde elas devem ser montadas não trabalharão correctamente e provocarão uma perda de controlo da ferramenta.
- **Nunca utilize parafusos nem fixadores de lâmina defeituosos ou não adaptados.** Os fixadores e o parafuso da lâmina foram especialmente concebidos para o seu modelo de serra, para proporcionar uma maior segurança e uma melhor eficácia.

CAUSAS DO RICOCHETE E AVISOS RELACIONADOS:

- O coice é uma reacção súbita que ocorre quando a lâmina fica entalada, torcida ou se estiver mal alinhada; a serra salta subitamente da peça a trabalhar e recua violentamente em direcção do utilizador.
- Quando a lâmina fica entalada na madeira, a lâmina pára e o motor, que continua a trabalhar, projecta a serra no sentido oposto ao sentido de rotação da lâmina, isto é, para o utilizador.
- Se a lâmina se torcer ou se estiver mal alinhada, os dentes situados atrás da lâmina podem enterrar-se na superfície da madeira, o que fará sair bruscamente a lâmina da peça a trabalhar em direcção do utilizador.

O coice é portanto o resultado de uma má utilização da ferramenta e/ou de procedimentos ou de condições de corte incorrectas. Pode ser evitado tendo o cuidado de cumprir certas precauções.

- **Segure firmemente a serra com ambas as mãos e ponha os seus braços de forma que possam resistir a um coice eventual.** Fique de um lado da serra quando estiver a trabalhar mas nunca no alinhamento da lâmina. O coice projecta subitamente a serra para trás mas este movimento pode ser controlado se o utilizador estiver à espera disso e se preparar.
- **Se a lâmina ficar entalada ou se tiver que interromper o corte por um motivo qualquer, solte o gatilho e mantenha a serra na peça a trabalhar até que a lâmina deixe completamente de girar.** Nunca tente retirar a serra da peça de trabalho ou puxe para trás enquanto a lâmina estiver em movimento ou poderá ocorrer um ricochete. Se a lâmina ficar entalada, procure a causa disso e tome as medidas necessárias para que isso não volte a acontecer.
- **Antes de voltar a pôr a serra a trabalhar para retomar um corte, alinhe correctamente a lâmina com o traço de serra e verifique se os dentes não tocam na peça a trabalhar.** Se a lâmina ficar entalada na peça a trabalhar, pode ocorrer um coice quando a serra for posta a trabalhar.
- **Agunte a peças compridas a trabalhar para evitar que a lâmina fique entalada e para que minimize**

assim os riscos de coices. As peças a trabalhar compridas têm tendência a abaular devido ao próprio peso. Pode pôr suportes dos dois lados da peça a trabalhar, perto da linha de corte e ao nível da extremidade da peça.

- **Não utilize lâminas embotadas ou danificadas.** As lâminas não afiadas ou mal montadas produzirão um corte de serra fino, o que provoca uma fricção excessiva da lâmina e portanto maiores riscos de torção e de coice.
- **Antes de começar um corte, verifique se os botões de ajuste da profundidade e da inclinação estão correctamente bloqueados.** Se os ajustes da posição da lâmina se modificarem durante o corte, a lâmina pode ficar entalada e ocorrer um coice.
- **Tenha extrema cautela ao serrar em paredes existentes ou outras zonas cegas.** A lâmina poderia chocar contra elementos ocultos, o que poderia provocar um coice.

FUNÇÃO DA PROTECÇÃO INFERIOR

- **Antes de cada utilização, verifique se o protector da lâmina inferior cobre correctamente a lâmina. Não utilize a serra se o protector da lâmina inferior não puder ser movido livremente e se não se fechar instantaneamente sobre a lâmina. Não fixe nem nunca prenda o protector da lâmina inferior na posição aberta.** Se a serra cair por descuido, o protector da lâmina inferior poderia ficar dobrado. Levante o protector da lâmina inferior por meio do manípulo e verifique se pode ser manipulado facilmente e se não toca na lâmina nem em nenhuma outra peça, qualquer que seja o ângulo e a profundidade de corte escolhidos.
- **Verifique se a mola do protector da lâmina inferior está em bom estado e se funciona correctamente. Se o protector da lâmina ou a mola não funcionarem correctamente, mande repará-los ou substituir antes da utilizar a serra.** A protecção inferior pode funcionar lentamente devido a peças danificadas, depósitos pegajosos ou a uma acumulação de detritos.
- **A protecção inferior pode ser recolhida manualmente apenas para cortes especiais como “cortes de mergulho” e “cortes compostos”.** Levante o protector da lâmina inferior por meio da alavanca. Em seguida, assim que a lâmina penetrar na peça a trabalhar, solte o protector da lâmina inferior. Para todos os outros tipos de corte, o protector da lâmina inferior fica automaticamente no seu devido lugar.
- **Verifique sempre se o protector da lâmina inferior cobre bem a lâmina antes de colocar a serra numa bancada ou no chão.** Se a lâmina não ficar correctamente coberta, ela pode rodar por inércia e cortar tudo o que se encontrar na sua trajetória. Tenha consciência do facto de que a lâmina continua a rodar durante um certo tempo depois da paragem do motor.

AVISOS DE SEGURANÇA ADICIONAIS

- **O pó produzido ao utilizar este produto pode ser prejudicial para a sua saúde, pode ser inflamável ou explosivo. Não inale o pó.** Use um sistema de extração de pó e uma máscara protetora adequada.

Retire minuciosamente o pó depositado, por exemplo, com um aspirador.

- **Nunca utilize um disco abrasivo.**
- **Evite o sobreaquecimento as pontas de lâmina. Não utilize lâminas embotadas ou danificadas.** Não force a ferramenta.
- **Não utilize lâminas de diâmetro maior ou mais pequeno que o recomendado.**
- Use protecção para os ouvidos.
- **Fixe a peça de trabalho com um dispositivo de fixação.** As peças de trabalho mal presas podem causar danos e lesões graves.
- **Verifique a fundo o material que deseja cortar, sobretudo quando utilizar madeira reciclada, em busca de objetos estranhos como pregos, parafusos ou agrafos.** Se os pregos, parafusos ou agrafos ou outros elementos similares entrarem em contacto com a lâmina enquanto está a cortar, a serra ficará danificada e poderá provocar lesões graves no utilizador ou em outras pessoas.
- **Não toque na lâmina de serra imediatamente após a serração.** A lâmina de serra fica quente durante a serração.
- Utilize apenas o(s) diâmetro(s) da lâmina de acordo com as marcações.
- Identifique a lâmina da serra correta para o material a cortar.
- Utilize apenas lâminas de serra com a indicação de velocidade igual ou superior à assinalada na ferramenta.
- Utilize apenas as lâminas recomendadas pelo fabricante, que estejam em conformidade com a norma EN 847-1, se destinadas a madeiras ou materiais análogos.
- Use máscara contra pó.
- A amplitude de temperatura ambiente para a ferramenta durante o funcionamento é entre 0 °C e 40 °C.
- A amplitude de temperatura ambiente para a ferramenta em armazenamento é entre 0 °C e 40 °C.
- A amplitude de temperatura ambiente recomendada para o sistema de carregamento durante o carregamento é entre 10 °C e 38 °C.

AVISOS DE SEGURANÇA ADICIONAIS DAS BATERIAS

AVISO

Para evitar o risco de incêndio, de feridas ou de danificação do produto causado por um curto-circuito, não imerja a bateria intercambiável ou o carregador em líquidos e assegure-se de que líquidos não penetrem nos aparelhos ou nas baterias. Líquidos corrosivos ou condutivos como água salgada, determinadas substâncias químicas ou produtos que contenham branqueadores podem causar um curto-circuito.

- A amplitude de temperatura ambiente para a bateria durante a utilização é entre 0 °C e 40 °C.
- A amplitude de temperatura ambiente para a bateria em armazenamento é entre 0 °C e 20 °C.

TRANSPORTE DE BATERIAS DE LÍTIU

Transporte a bateria em conformidade com as disposições e os regulamentos locais e nacionais.

Respeite os requisitos especiais que existam na embalagem e a etiquetagem durante o transporte de baterias por terceiros. Assegure-se que não há risco de uma bateria entrar em contacto com outra bateria nem com materiais condutores durante o transporte, protegendo os conectores expostos com tampas ou fita isoladoras e não condutoras. Não transporte baterias com fissuras ou fugas. Contacte a empresa transitária para mais aconselhamento.

Existem medidas que podem ser tomadas pelo operador para possivelmente reduzir os efeitos da vibração:

- Mantenha o seu corpo quente durante o tempo frio. Ao operar a unidade, use luvas para manter as mãos e os pulsos quentes. Encontra-se reportado que o tempo frio é um grande factor que contribui para o Síndrome de Raynaud.
- Após cada período de operação, exercite para aumentar a circulação sanguínea.
- Faça pausas frequentes no trabalho. Limite o tempo de exposição por dia.

Caso sinta algum dos sintomas desta doença, interrompa de imediato a sua utilização e consulte o seu médico sobre estes sintomas.

RISCOS RESIDUAIS

Mesmo quando se utiliza o produto segundo as instruções, continua a ser impossível eliminar por completo certos fatores de risco residuais. Podem surgir os seguintes riscos durante o uso e o operador deve prestar especial atenção para evitar o seguinte:

- Lesões por ricochete
 - Leia e compreenda a informação dada neste Manual.
- Lesões por vibração
 - Limite a exposição. Consulte o ponto “Redução De Riscos”.
- Prejuízo causado pela poeira
 - Use sempre protecção para os olhos. Use uma máscara de controlo de poeiras adequada com os filtros certos para protecção contra a poeira e partículas libertadas pelo material a ser trabalhado. Não coma, beba ou fume na área de trabalho. Assegure uma ventilação adequada do local de trabalho.
- Choque elétrico
 - A lâmina pode tocar em fios ocultos, fazendo com que partes do produto ganhem vida. Segure sempre o produto pelas pegas designadas e tome cuidado ao efetuar cortes cegos em paredes e pisos onde os cabos podem estar escondidos.

NOTA: Quando trabalhar em paredes, tetos ou pisos, tome cuidado para evitar cabos elétricos e tubos de gás ou água.

- Lesões decorrentes do contacto com a lâmina de corte
 - As lâminas são muito afiadas e ficam quentes durante a utilização. Use luvas ao trocar as lâminas. Mantenha sempre as mãos afastadas da área de corte. **NUNCA** segure a peça a trabalhar com a mão ou entre as pernas. Sempre que possível, fixe a peça de trabalho.

REDUÇÃO DO RISCO

Informou-se que as vibrações das ferramentas manuais podem contribuir para uma doença chamada síndrome de Raynaud em certos indivíduos. Os sintomas podem incluir formigueiro, entorpecimento e empalidezimento dos dedos, habitualmente visível aquando da exposição ao frio. Estima-se que os factores hereditários, exposição ao frio e humidade, dieta, tabagismo e práticas de trabalho contribuem todos para o desenvolvimento destes sintomas.

⚠ AVISO

As lesões podem ser causadas ou agravadas pelo uso prolongado de uma ferramenta. Ao usar qualquer ferramenta durante períodos prolongados, assegure-se que faz intervalos regulares.

CONHEÇA O SEU PRODUTO

Consulte a página 109.

1. Botão de guia da borda
2. Botão de ajuste do bisel
3. Botão de bloqueio do eixo
4. Pega dianteira, superfícies de prensão isoladas
5. Botão de desbloqueio do gatilho
6. Interruptor selector
7. Orifício da bateria
8. Junta do tubo de pó
9. Rebordo interior
10. Flange externa
11. Parafuso da lâmina
12. Chave hexagonal
13. Alavanca de bloqueio do ajuste da profundidade
14. Topo guia da borda
15. Lâmina
16. Pega, superfícies de prensão isoladas

⚠ AVISO

O produto não deve nunca ligado à corrente elétrica durante a montagem de peças, a realização de ajustes, limpeza, operações de manutenção ou quando não está em uso. Ao deligar o produto estará a evitar um arranque acidental que pode causar lesões graves.

- Na reparação só devem ser utilizadas peças sobresselentes do fabricante. O uso de quaisquer outras peças pode criar perigo ou causar danos ao aparelho.
- Evite usar solventes ao limpar as peças de plástico. A maioria dos plásticos pode ser danificada pelos solventes vendidos no comércio. Utilize um pano limpo para remover as sujidades, o pó, etc.
- Nunca, em qualquer momento, deixe que fluidos de travagem, gasolina, produtos petrolíferos, óleos de perfuração, etc., entrem em contacto com as peças de plástico. Estas substâncias contêm produtos químicos que podem danificar, enfraquecer ou destruir o plástico.

- Use sempre óculos de protecção ou óculos de segurança com protecções laterais durante a operação da ferramenta eléctrica ou quando estiver a levantar poeira no ar. Caso a operação seja poeirenta, use também uma máscara contra o pó.
- Para uma maior segurança e fiabilidade, todas as reparações devem ser realizadas por um centro de assistência autorizado RYOBI.

LUBRIFICAÇÃO

Todos os rolamentos deste produto estão lubrificados com um montante suficiente de lubrificante de elevado nível, de acordo com a duração de vida do produto em condições normais de funcionamento. Por conseguinte, não requer nenhuma lubrificação suplementar.



Não elimine baterias, pilhas, equipamentos elétricos e eletrónicos juntamente com resíduos municipais não separados. Os resíduos de baterias, pilhas e equipamentos elétricos e eletrónicos devem ser recolhidos separadamente. Os resíduos de acumulares de baterias, pilhas e fontes de luz têm de ser retirados do equipamento. Consulte a sua autoridade local ou retalhista para obter aconselhamento sobre reciclagem e pontos de recolha. De acordo com os regulamentos locais, os retalhistas têm a obrigação de receber os resíduos de baterias, pilhas e equipamentos elétricos e eletrónicos livres de encargos. O seu contributo para reutilizar e reciclar os resíduos de equipamentos elétricos e eletrónicos ajuda a reduzir a procura de matérias-primas. As baterias e pilhas usadas, em particular, contêm lítio e os resíduos de equipamentos elétricos e eletrónicos contêm materiais recicláveis preciosos, que podem afetar negativamente o meio ambiente e a saúde humana se não forem eliminados de uma forma ambientalmente compatível. Elimine os dados pessoais dos equipamentos, se existirem.

SÍMBOLOS



Alerta de segurança



Corrente directa



Madeira



Não corte metais



Use protecção para os olhos



Perigo! Lâmina afiada.



Não exponha à chuva



Largura do corte



Dentes da lâmina



Agradecemos que leia atentamente as instruções antes de iniciar a máquina.

Ved udformningen af din rundsav har vi givet topprioritet til sikkerhed, gode resultater og driftssikkerhed.

TILTÆNKTE ANVENDELSESFORMÅL

Rundsaven er kun beregnet til at blive brugt af voksne, som har læst og forstået instruktionerne og advarslerne i denne vejledning og som kan betragtes som værende ansvarlige for deres handlinger.

Dette produkt er udviklet til tvær- og længdeskæring af træ til en maks. dybde på 45 mm. Produktet kan foretage lige og smigskårne snit mellem 0 og 50 grader. Den må kun bruges, når det nederste af værktøjet er i kontakt med arbejdsområdet. Den må kun bruges på tørre, velbelyste og godt ventilerede steder.

Produktet er designet til håndholdt brug. Produktet må ikke monteres på en arbejdsbænk uden specifikke instruktioner om, hvordan det gøres givet af savens producent. Må ikke bruges til skæring i metal eller murværk.

Produktet må kun bruges til de formål, der er angivet under formålsbestemt/korrekt brug. Brug af elværktøjet i strid med det tiltænkte anvendelsesformål kan medføre farlige situationer.

⚠ ADVARSEL

Læs alle omhyggeligt alle advarsler, anvisninger og specifikationer, som følger med maskinen, og studer illustrationerne. Hvis nedenstående forskrifter ikke overholdes, kan der ske uheld og ulykker som brand, elektrisk stød/eller alvorlige personskader.

Gem alle advarsler og brugsanvisninger til senere brug.

SIKKERHEDSADVARSLER OM RUNDSAV

SKÆREPROCEDURER

⚠ FARE

Hold hænderne på afstand af skæreområdet og klingens. Den hånd, der ikke griber om værktøjets hovedhåndtag, skal holde om hjælpehåndtaget eller hvile på motorskærmen. Hænderne risikerer så ikke at komme ind i saveområdet i klingens bane.

- **Ræk ikke hånden ind under emnet.** der yder klingskærmen nemlig ingen beskyttelse, for den dækker ikke klingens.
- **Indstil savefynden efter arbejdsstykkets tykkelse.** Klingetænderne må ikke stikke helt ned under arbejdsstykket under savningen.
- **Hold ALDRIG arbejdsstykket med hånden eller mellem benene. Spænd det fast på et stabilt underlag.** Det er meget vigtigt at spænde arbejdsstykket godt fast for ikke at komme til skade, bøje klingens eller miste kontrollen over værktøjet.
- **Hold maskinværktøjet i de isolerede gribeoverlader, når der arbejdes på steder, hvor man kan komme til at skære i skjulte ledninger.** Kontakt med strømførende kabler kan gøre udsatte metaldele af elværktøjet strømførende og kan give operatøren elektrisk stød.

- **Brug altid parallelsavestyr eller en lige liste ved savning af parallelsnit.** Savepræcisionen bliver større, og klingens risikerer ikke at blive bøjet.
- **Brug altid klinger med en størrelse og facon, der passer til akselboringen.** Klinger, som ikke passer til akslen, de skal monteres på, vil ikke dreje ordentligt rundt og kan bevirke, at man mister kontrollen over værktøjet.
- **Brug aldrig klingskruer eller -flanger, som er defekte eller uegnede.** Klingeflangerne og -skruerne er specielt beregnet til den enkelte savmodel for optimal sikkerhed og ydeevne.

ÅRSAGER TIL TILBAGESLAG ('KICKBACK') OG TILHØRENDE ADVARSLER:

- Tilbageslag er en pludselig reaktion, som opstår, når klingens kommer i klemme, vrider sig eller ikke flugter ordentligt; saven river sig pludselig løs af arbejdsstykket og springer voldsomt tilbage mod brugeren.
- Når klingens bliver klemt fast i træet, går den i stå, og motoren, der bliver ved med at arbejde, slynger saven i retningen modsat klingens omløbsretning, dvs. mod brugeren.
- Hvis klingens vrider sig eller er rettet forkert ind, risikerer tænderne ved klingens bagende at gå ned i træfladen, hvilket får klingens til at hoppe brat ud af arbejdsstykket og mod brugeren.

Tilbageslag skyldes altså, at værktøjet bruges forkert, og/eller at saveforholdene eller fremgangsmåden er uhensigtsmæssige. Det kan undgås, hvis der tages nogle forholdsregler.

- **Grib godt fat om saven med begge hænder, og hold armene således, at de kontrollerer et eventuelt tilbageslag.** Stå på den ene side af saven under arbejdet og aldrig i forlængelse af klingens. Ved tilbageslag slynges saven pludselig bagud, men denne bevægelse kan kontrolleres, hvis brugeren er forberedt på det.
- **Hvis klingens sætter sig fast, eller hvis snittet skal afbrydes af en eller anden årsag, slippes start-stopknappen, og saven holdes i arbejdsstykket, indtil klingens er holdt helt op med at dreje rundt. Man må aldrig forsøge at tage saven ud af emnet eller trække saven tilbage, så længe klingens er i bevægelse, da der ellers er fare for tilbageslag.** Hvis klingens sætter sig fast, søges årsagen, og de nødvendige forholdsregler tages for at undgå, at det sker igen.
- **Inden saven startes igen for at genoptage savningen, rettes klingens omhyggeligt ind efter savsnittet, og det sikres, at tænderne ikke rører ved arbejdsstykket.** Hvis klingens er klemt fast i arbejdsstykket, kan der opstå tilbageslag, når saven sættes i gang.
- **Sørg for at understøtte lange emner for at undgå, at klingens sætter sig fast, og formindskes risikoen for tilbageslag.** Lange emner har tendens til at bukke under deres egen vægt. Der kan indsættes støtteanordninger i begge sider af arbejdsstykket, tæt ved savelinien og ved arbejdsstykkets yderpunkt.

EN

FR

DE

ES

IT

NL

PT

DA

SV

FI

NO

RU

PL

CS

HU

RO

LV

LT

ET

HR

SL

SK

BG

UK

TR

EL

- **Brug aldrig sløve eller beskadigede savklinger.** Hvis klingene ikke er skarpe, eller hvis den er monteret forkert, får den for stor friktionsmodstand i savsnittet, hvilket øger risikoen for, at den vrider sig og for, at saven springer tilbage.
- **Inden snittet påbegyndes, kontrolleres at dybde- og hældningsindstillingsknapperne er spændt forsvarligt.** Hvis klingens positionsindstillinger ændres under savningen, kan klingene sætte sig fast og saven springe tilbage.
- **Vær ekstra forsigtig, når du saver ind i eksisterende vægge eller blinde områder.** Klingene kan ramme skjulte elementer og forårsage tilbageslag.
- Benyt høreværn.
- **Emnet skal fastspændes med en fastspændingsanordning.** Ikke-spændte emner kan forårsage alvorlige (person)skader.
- **Husk at kontrollere det materiale, der skal skæres (især ved anvendelse af genbrugstræ), for fremmedlegemer såsom søm, skruer og hæfteklammer.** Hvis søm, skruer, hæfteklammer eller lignende genstande kommer i kontakt med klingene, vil saven blive beskadiget med evt. alvorlige personskader for brugeren eller andre personer til følge.
- **Rør ikke ved savklingen umiddelbart efter savning.** Savklingen bliver varm under savningen.

UNDRERSKÆRMENS FUNKTION

- **Inden brug kontrolleres, at den nederste klingskærm dækker klingene rigtigt. Brug ikke saven, hvis den nederste klingskærm ikke kan bevæges frit, og hvis den ikke lukker øjeblikkeligt om klingene.** Fastgør eller hold aldrig den nederste klingskærm i åben stilling. Hvis saven falder på gulvet, kan den nederste klingskærm blive bøjet. Løft den nederste klingskærm op ved hjælp af grebet, og se efter, om den kan bevæges uden besvær og ikke rører ved hverken klingene eller andre dele uanset savevinkel og -dybde.
- **Se efter, om den nederste klingskærms fjeder er i god stand og virker efter hensigten.** Hvis klingskærmen eller fjederen ikke virker rigtigt, skal de repareres eller udskiftes, inden saven bruges. Den nederste skærm kan gå trægt pga. beskadigede dele, gummirester eller ansamling af rester/spåner.
- **Den nederste skærm må kun trækkes manuelt tilbage til udførelse af specielle snit såsom "lommensnit" og "sammensatte snit".** Løft den nederste klingskærm op ved hjælp af grebet. Så snart klingene går ned i arbejdsstykket, slippes den nederste klingskærm. For alle andre typer snit går den nederste klingskærm på plads af sig selv.
- **Se altid efter, om den nederste klingskærm nu også dækker klingene, inden saven lægges på et arbejdsbord eller på gulvet.** Hvis klingene ikke er dækket rigtigt, kan den dreje rundt på grund af træghed og skære det, der befinder sig i dens bane. Vær opmærksom på, at klingene bliver ved med at dreje rundt et stykke tid, efter motoren er standset.
- Brug kun klingediameter(e) i overensstemmelse med mærkningen.
- Find det korrekte savklinge til brug til det materiale, der skal skæres.
- Brug kun savklinger afmærket med en hastighed svarende til eller højere end den hastighed, der er afmærket på værktøjet.
- Brug kun savklinger anbefalet af fabrikanten, og som er i overensstemmelse med EN 847-1 ved brug til træ og tilsvarende materialer.
- Bær støvmaske.
- Omgivelsestemperaturområdet for værktøj under betjening er mellem 0 °C og 40 °C.
- Omgivelsestemperaturområdet for værktøj under opbevaring er mellem 0 °C og 40 °C.
- Det anbefalede omgivelsestemperaturområde for ladesystemet under opladning er mellem 10 °C og 38 °C.

YDERLIGERE SIKKERHEDSADVARSLER OM BATTERI

⚠ ADVARSEL

For at undgå risiko for brand, kvæstelser eller beskadigelse af produktet forårsaget af kortslutning må værktøjet, batteripakken eller opladeren ikke nedsænkes i vand. Sørg ligeledes for, at der ikke trænger væske ind i enhederne og batterierne. Korroderende eller ledende væsker, f.eks. saltvand, bestemte kemikalier, blegestoffer eller produkter, som indeholder blegestoffer, kan forårsage kortslutning.

EKSTRA SIKKERHEDSADVARSLER

- **Det støv, der dannes under brug af dette produkt, kan være sundhedsskadeligt, brændbart eller eksplosivt. Undlad at inhalere støvet.** Brug et støvudsugningssystem, og bær passende støvmaske. Fjern aflejret støv omhyggeligt, fx med en støvsuger.
- **Brug aldrig slibeskiver.**
- **Undgå overophedning af klingspidserne. Brug aldrig sløve eller beskadigede savklinger.** Undlad at tvinge værktøjet.
- **Undlad brug af klinger med større eller mindre diameter end anbefalet.**
- Omgivelsestemperaturområdet for batteri under brug er mellem 0 °C og 40 °C.
- Omgivelsestemperaturområdet for batteriopbevaring er mellem 0 °C og 20 °C.

TRANSPORT AF LITHIUM-BATTERIER

Batteriet skal transporteres i henhold til lokale og nationale forskrifter og love.

Når batterier skal transporteres af tredjepart, skal alle specielle krav til emballering og mærkning efterleves. Man skal sikre sig, at ingen batterier kan komme i kontakt med andre batterier eller ledende materialer under transporten

ved at beskytte blottede konnektorer med isolerende, ikke-ledende hætter eller tape. Undlad at transportere batterier med revner eller utætheder. Rådfør dig desuden hos spedistoren.

UUNDGÅELIGE RISICI

Selv om produktet anvendes som foreskrevet, er det stadig umuligt at eliminere visse uundgåelige risikofaktorer fuldstændigt. Følgende risici kan opstå under brug, og operatøren bør være særligt opmærksom for at undgå følgende:

- Personskader forårsaget af tilbageslag ("kickback")
 - Sørg for at læse og forstå denne vejledning.
- Personskader forårsaget af vibration
 - Begræns eksponering. Se "Risikoreduktion".
- Personskader forårsaget af støv
 - Brug altid øjenværn. Benyt passende støvmaske med egnede filtre, der kan beskytte mod støv fra det materiale, der arbejdes med. Undlad at spise, drikke eller ryge i arbejdsområdet. Sørg for tilstrækkelig ventilation på arbejdspladsen.
- Elektrisk stød
 - Klingen kan køre mod skjulte kabler, hvorved dele af produktet kan blive strømførende. Hold altid produktet i de hertil indrettede håndtag, og pas på ved blindskæring i vægge og gulve, hvor der kan være skjulte kabler.

BEMÆRK: Når der arbejdes i vægge, lofter eller gulve, skal man sørge for at undgå el-, gas- eller vandledninger.

- Personskade pga. kontakt med klingen.
 - Klingerne er meget skarpe og bliver varme under brug. Benyt handsker, når der skiftes klinger. Hænderne skal altid holdes på afstand af skæreområdet. Hold ALDRIG arbejdsstykket med hånden eller mellem benene. Emnet skal så vidt muligt altid fastspændes.

RISIKOREDUKTION

Der er rapporteret om, at vibrationer fra håndholdte værktøjer kan være medvirkende til en lidelse kaldet Raynauds syndrom hos visse personer. Symptomerne herpå kan være prikken, følelseløshed og blegning af fingrene, der normalt viser sig ved kuldepåvirkning. Faktorer som arvelighed, udsættelse for kulde og fugt, kost, rygning og arbejdsvaner menes alle at medvirke til udviklingen af disse symptomer. Der findes forholdsregler, som operatøren kan træffe for at begrænse påvirkningen fra vibrationer:

- Hold kroppen varm i koldt vejr. Brug handsker, så hænder og vriste holdes varme under arbejdet. Der er rapporteret om, at koldt vejr er en væsentlig faktor til Raynauds syndrom.
- Motionér efter hver arbejdsperiode for at øge blodcirkulationen.
- Hold hyppige arbejdspauser. Begræns eksponeringen for vibrationer pr. dag.

Hvis du mærker nogen af symptomerne på denne tilstand, skal du straks ophøre med arbejdet og søge læge.

⚠ ADVARSEL

Længere tids brug af et værktøj kan forårsage - eller forværrer - personskader. Når man bruger et værktøj i længere perioder ad gangen, skal man huske at holde hyppige pauser.

KEND PRODUKTET

Se side 109.

1. Kantstyreknap
2. Smigstyreningsknap
3. Aksellåseknap
4. Pega dianteira, superficies de preensão isoladas
5. Start-stopknappens oplåsningsknap
6. Kontaktdløser
7. Batteriåbning
8. Støvslangesamling
9. Indvendig flange
10. Yderflange
11. Klingskrue
12. Sekskantnøgle
13. Låsearm for dybdejustering
14. Kantstyreanslag
15. Klinge
16. Håndtag, isoleret gribeblade

VEDLIGEHOLDELSE

⚠ ADVARSEL

Produktet må aldrig sluttes til en strømforsyning, mens man er i færd med at samle dele, foretage justeringer, rengøre, udføre vedligeholdelsesarbejde, eller når produktet ikke anvendes. Ved at afbryde forbindelsen til strømforsyningen forhindrer man utilsigtet start af produktet, hvilket kan medføre alvorlige personskader.

- Brug kun originale reservedele fra maskinproducenten i forbindelse med servicearbejde. Brug af alternative dele kan forårsage farlige situationer eller ødelægge produktet.
- Undgå brug af opløsningsmidler til rengøring af plastdele. De fleste plasttyper bliver ødelagt, hvis de renses med almindelige gængse opløsningsmidler. Fjern snavs, støv m.v. med en ren klud.
- Sørg for, at bremsevæske, benzín, petroleumsbaserede produkter, penetreringsolie, mv., aldrig kommer i kontakt med plastdele. Disse kemiske produkter indeholder stoffer, som kan beskadige, mørne eller ødelægge plastrmateriale.
- Bær altid sikkerhedsbriller med sideskjolde under betjening af elværktøjet eller ved støv-ophvirvling. Hvis der ophvirvles støv under arbejdet, bæres også støvmaske.
- Af hensyn til større sikkerhed og pålidelighed skal alt reparationsarbejde udføres på et autoriseret RYOBI-servicecenter.

SMØRING

Alle lejerne i produktet er smurt for produktets levetid under normale driftsbetingelser med en tilstrækkelig mængde

høj kvalitetssmøremiddel. Det er derfor ikke nødvendigt med yderligere smøring.

SYMBOLER



Sikkerhedsadvarsel



Direkte strøm



Træ



Undlad at skære i metal



Benyt øjenværn



Fare! Skarp klinge.



Må ikke udsættes for regn



Snitbredde



Klingetænder



Læs venligst vejledningen grundigt igennem før maskinen tages i brug.

Bortskaf ikke brugte batterier, elektriske dele og elektronisk udstyr som usorteret kommunalt affald. Brugte batterier, kasserede elektriske dele og elektronisk udstyr skal indsamles separat. Brugte batterier, affaldsakkumulatorer og lyskilder skal fjernes fra udstyret. Kontakt din lokale myndighed eller forhandler for rådgivning om genbrug og indsamlingssted. Ifølge lokale bestemmelser er detailhandlere måske forpligtede til gratis at tage kasserede batterier, elektriske dele og elektronisk udstyr retur til bortskaffelse. Dit bidrag til genbrug og genanvendelse af brugte batterier, kasserede elektriske dele og elektronisk udstyr bidrager til at reducere efterspørgslen efter råmaterialer. Kasserede batterier, navnlig indeholdende lithium, og kasserede elektriske dele og elektronisk udstyr indeholder værdifulde og genanvendelige materialer, som kan have en negativ indvirkning på miljøet og menneskers sundhed, hvis det ikke bortskaffes på en miljøvenlig måde. Slet persondata fra eventuelt kasseret udstyr.



Säkerhet, prestanda och tillförlitlighet har varit högsta prioritet vid utformningen av din cirkelsåg.

ANVÄNDNINGSMÅL

Cirkelsågen är endast avsett att användas av vuxna som har läst och förstått instruktionerna och varningarna i denna manual och vilka kan anses ansvariga för sina handlingar.

Produkten är utformad för sågning i riktning med eller på tvären över träfibren eller liknande material med ett maximalt djup på 45 mm. Produkten kan utföra raka eller fasade skärningar mellan 0 och 50 grader. Den ska användas med verktygsbasen liggande mot arbetsstycket. Den får bara användas i torra, välbelysta och välventilerade utrymmen.

Produkten är utformad för bärbar användning. Produkten får inte monteras på en arbetsbänk, såvida inte tillverkaren av sågen har givit specifika anvisningar om hur detta ska göras. Såga inte i metall eller sten.

Använd inte produkten på något annat sätt än vad som är avsett. Användning av el-verktyget för andra områden än de avsedda kan resultera i en riskfylld situation.

⚠ VARNING

Läs uppmärksamt alla varningar, instruktioner och specifikationer som bifogas med detta verktyg och studera bilderna. Underlåtenhet att respektera dessa föreskrifter kan leda till olyckor som brand, elektriska stötar och/eller allvarliga kroppsskador.

Behåll dessa varningar och anvisningar för framtida referens.

SÄKERHETSVARNINGAR FÖR CIRKELSÅG

KAPNINGSFÖRFARANDE

⚠ FARA

Håll händerna borta från bladet och arbetsområdet. Händerna som inte håller i verktygets huvudhandtag ska antingen hålla i hjälphandtaget eller placeras på motorhuset. Det finns då ingen risk för att händerna befinner sig inom skärområdet, i sågklingans bana.

- **Sträck dig inte in under arbetsstycket.** på denna plats kan skyddskåpan inte skydda dig, för den täcker inte klingan.
- **Ställ in skärdjupet beroende på arbetsstyckets tjocklek.** Tänderna på sågklingan får inte helt skjutas ut under arbetsstycket under sågningen.
- **Håll ALDRIG arbetsstycket med handen eller mellan benen. Fäst det på ett stadigt underlag.** Det är av största vikt att fästa arbetsstycket stadigt, för att undvika risker för kroppsskador och att inte böja sågklingan, för att inte förlora kontrollen över verktyget.
- **Greppa verktyget i dess isolerade delar när du utför arbeten där maskinen kan komma i kontakt med döda elkablar.** Kontakt med strömförande kabel gör metalldelar på verktyget strömförande och kan ge användaren en elektrisk stöt.

- **Använd alltid ett parallellanslag eller ett rakt städ då du utför ett parallellsnitt.** Skärprecisionen blir bättre och du undviker att böja sågklingan.
- **Använd alltid sågklingor vars storlek och form är anpassade till axelns fästhål.** Sågklingor som inte är anpassade till axeln på vilken de ska monteras roterar inte normalt och leder till att man förlorar kontrollen.
- **Använd aldrig defekta eller olämpliga skruvar eller flänsar för sågklingorna.** Flänsarna och skruvarna har konstruerats speciellt för din sågmodell, för optimal säkerhet och optimala prestanda.

ORSAKER TILL BAKSLAG OCH RELATERADE VARNINGAR:

- Bakslaget är en plötslig reaktion som inträffar då sågklingan kläms till, vrids eller är fel inställd; sågen frigör sig då plötsligt från arbetsstycket och studsar häftigt bakåt mot användaren.
- Då sågklingan fastnar i träet, stannar den och motorn, som fortsätter att gå, slungar sågen i motsatt riktning jämfört med sågklingans rotationsriktning, dvs mot användaren.
- Om sågklingan vrids eller är felaktigt inställd, riskerar tänderna som finns på baksidan av den att sjunka in i träytan, vilket gör att sågklingan plötsligt kommer ut ur arbetsstycket i riktning mot användaren.

Ett bakslag är alltså resultatet av en felaktig användning av verktyget och/eller av felaktiga arbetsmetoder eller arbetsförhållanden. Det kan undvikas genom att vidta några försiktighetsåtgärder.

- **Håll stadigt i sågen med båda händerna och placera armarna så att de kan kontrollera ett eventuellt bakslag. Stå på den ena sidan av sågen då du arbetar, aldrig i linje med sågklingan.** Bakslaget slungar plötsligt sågen bakåt, men denna rörelse kan kontrolleras om användaren är förberedd på den.
- **Om sågklingan kilas fast eller om du måste avbryta arbetet av någon orsak, släpp strömbrytaren och håll sågen kvar i arbetsstycket ända tills sågklingan helt slutat att rotera. Försök aldrig att ta bort sågklingan från arbetsstycket, eller att dra sågklingan bakåt, samtidigt som klingan roterar; ett återkast kan ske.** Om sågklingan kilas fast, ta reda på orsaken och vidta nödvändiga åtgärder för att detta inte upprepas.
- **Innan du startar sågen för att fortsätta arbetet, ställ in sågklingan rätt i förhållande till sågspåret och kontrollera att tänderna inte rör vid arbetsstycket.** Om sågklingan sitter fast i arbetsstycket kan ett bakslag uppstå då du sätter i gång sågen.
- **Kom ihåg att stöda långa arbetsstycken för att undvika att sågklingan kilas fast och för att begränsa riskerna för bakslag.** Långa arbetsstycken tenderar att böja sig under sin egen vikt. Du kan placera stöd på båda sidorna av arbetsstycket, nära skärinjen och vid änden av arbetsstycket.
- **Använd inte slöa eller skadade sågklingor.** Ovassa eller fel monterade sågklingor ger ett smalt sågspår som leder till en extrem friktion av sågklingan och till större risker för vridning och bakslag.

- **Kontrollera innan du börjar arbeta att knapparna för inställning av skärddjup och lutning är stadigt låsta.** Om inställningarna av sågklingans läge ändras under arbetet kan sågklingan fastna och ett bakslag uppstå.
- **Var extra försiktig vid sågning i befintliga väggar eller andra dolda ytor.** Sågklingan kan stöta till dolda komponenter, vilket leder till bakslag.

NEDRE SKYDDETS FUNKTION

- **Kontrollera före varje användning att den nedre skyddskåpan täcker sågklingan korrekt. Använd inte sågen om den nedre skyddskåpan inte kan manövreras fritt och om den inte tillsluts ögonblickligen kring sågklingan. Fäst aldrig den nedre skyddskåpan i öppet läge.** Om sågen föll av misstag skulle den nedre skyddskåpan kunna vika sig. Lyft upp den nedre skyddskåpan med handtaget och kontrollera att den kan hanteras utan svårighet samt att den inte rör vid sågklingan eller någon annan del, oavsett den vinkel och det skärddjup som valts.
- **Kontrollera att den nedre skyddskåpan fjäder är i gott skick och fungerar normalt. Om skyddskåpan eller fjädern inte fungerar normalt, låt dem repareras eller bytas ut innan du använder sågen.** Det nedre skyddet kan hacka beroende på skadade delar, gummiavlagringar eller ansamling av skräp.
- **Det nedre skyddet kan dras in manuellt för specials kärning som instick och vinklar.** Lyft upp den nedre skyddskåpan med hjälp av handtaget. Släpp sedan den nedre skyddskåpan så fort sågklingan tränger in i arbetsstycket. Vid alla andra slag av snitt sätts den nedre skyddskåpan på plats automatiskt.
- **Kontrollera alltid att den nedre skyddskåpan täcker sågklingan väl innan du placerar sågen på en arbetsbänk eller på golvet.** Om sågklingan inte är korrekt täckt, kan den rotera av tröghetskraften och såga det som befinner sig i dess bana. Var medveten om att sågklingan fortsätter att rotera en stund efter att motorn stängts av.

YTTERLIGARE SÄKERHETS FÖRESKRIFTER

- **Det damm som uppkommer vid användning av produkten kan vara farligt för hälsan, lättantändligt eller explosivt. Andas inte in dammet.** Använd dammupsamlingsystem och lämpligt andningsskydd. Ta noggrant bort ansamlad damm med exempelvis en dammsugare.
- **Använd aldrig en slipskiva.**
- **Undvik överhettning av sågtänderna. Använd inte slöa eller skadade sågklingor.** Använd inte kraft mot verktyget.
- **Använd inte klingor av större eller mindre diameter än vad som rekommenderas.**
- **Bär hörselskydd.**
- **Fest arbetsstycket med klämanordning.** Icke fastklämda arbetsstycken kan orsaka allvarliga skador och skada på egendom.
- **Kontrollera noga materialet som ska kapas, speciellt om det handlar om återvunnet trä; ta bort eventuella**

främmande föremål som spik, skruv eller klamrar.

Om spik, skruv, klamrar eller liknande föremål kommer i kontakt medbladet vid kapning kommer sågen att skadas och allvarliga personskador kan uppstå på användaren eller andra.

- **Vidrör inte sågklingan direkt efter sågning.** Sågklingan blir varm under sågning.
- Använd endast bladdiameter i enlighet med markeringarna.
- Identifiera korrekt sågblad att använda till materialet som ska skäras.
- Använd endast sågblad som är markerade med en hastighet som är lika eller högre än hastigheten som anges på verktyget.
- Använd endast sågblad som rekommenderas av tillverkaren, som överensstämmer med EN 847-1, om avsett för trä och analogt material.
- Använd dammskydd.
- Omgivningstemperatur för verktyget vid drift skall ligga mellan 0 °C och 40 °C.
- Omgivningstemperatur för verktyget vid förvaring skall ligga mellan 0 °C och 40 °C.
- Den rekommenderade omgivningstemperaturen vid laddning av systemet skall ligga mellan 10 °C och 38 °C.

YTTERLIGARE SÄKERHETS VARNINGAR FÖR BATTERIER

⚠ VARNING

För att undvika den fara för brand, personskador eller produktskador som orsakas av en kortslutning, doppa inte ner verktyget, utbytesbatteriet eller laddaren i vätskor och se till att ingen vätska kan tränga in i apparaterna eller batterierna. Korroderande eller ledande vätskor, som saltvatten, vissa kemikalier, blekningsmedel eller produkter som innehåller blekmedel, kan orsaka en kortslutning.

- Omgivningstemperatur för batteriet vid drift skall ligga mellan 0 °C och 40 °C.
- Omgivningstemperatur för batteriet vid förvaring skall ligga mellan 0 °C och 20 °C.

TRANSPORTERA LITIUMBATTERIER

Transportera batteriet enligt lokala och nationella lagar och regleringar.

Följ alla specifika krav på förpackning och etiketter när batteri transporteras av tredje part. Se till att batteriet inte kommer i kontakt med andra batterier eller ledande material genom att skydda exponerade kontakter med isolerande, icke ledande skydd eller tejp. Transportera inte batterier som är spruckna eller läcker. Kontrollera med vidarebefordrande företag för mer information.

RESTRISKER

Även om produkten används enligt instruktionerna går det inte att eliminera alla eventuella riskfaktorer. Följande risker

kan uppstå vid användning och operatören ska vara extra uppmärksam för att undvika följande:

- Skador orsakade av kickback
 - Läs och förstå informationen i denna manual.
- Skador orsakad av vibrationer
 - Begränsa exponeringen. Se "Riskreducering".
- Skador orsakade av damm
 - Bär alltid ögonskydd. Använd lämplig dammask med passande filter som skyddar mot damm från materialet som bearbetas. Ät, drick eller rök inte på arbetsområdet. Se till att arbetsplatsen är tillräckligt ventilerad.
- Elektrisk stöt
 - Bladet kan komma i kontakt med aktiva kablar så att delar av produkten blir strömförande. Håll produkten i avsedda grepp och var noga vid sågning i väggar och golv där det kan finnas dolda kablar.

NOTERA: Vid arbete i väggar, golv eller tak ska du vara noga med att undvika el-, gas- och vattenledningar.

- Skador vid kontakt med sågbladet
 - Bladen är mycket vassa och blir heta under användning. Använd handskar vid byte av blad. Håll alltid händerna på säkert avstånd från sågområdet. Håll ALDRIG arbetsstycket med handen eller mellan benen. Kläm alltid fast arbetsstycket om så är möjligt.

RISKMINSKNING

Det finns rapporter om att vibrationer från handhållna produkter kan bidra till ett tillstånd som kallas Raynauds syndrom för vissa personer. Symptomen brukar vara att det sticker i fingrarna och att de domnar bort; fingrarna kan också bli vita, särskilt vid kyla. Årftliga faktorer, kyla och fukt, diet, rökning och arbetsrutiner tros alla bidra till att orsaka dessa symptom. Det finns förebyggande åtgärder som du kan vidta för att försöka minska vibrationernas påverkan:

- Håll dig varm när du arbetar i kallt väder. Använd handskar för att hålla kvar värmen i händer och handleder. Kyla har rapporterats som en viktig del i utvecklandet av Raynauds syndrom.
- Träna och rör på dig efter varje användningstillfälle för att öka blodcirkulationen.
- Ta ofta pauser från arbetet. Begränsa tiden du utsätter dig varje dag.

Upphör omedelbart om du upplever några av dessa symptom och uppsök din läkare.

⚠ VARNING

Risk för person- eller slitageskador vid användning av verktyget under lång tid. Om verktyget används under längre perioder krävs regelbundna pauser.

LÄR KÄNNA DIN PRODUKT

Se sidan 109.

1. Vred för kantguide
2. Vred för vinkeljustering
3. Låsknapp för axeln
4. Främre handtag, isolerad greppyta

5. Knapp för upplåsning av gasreglaget
6. Avtryckare
7. Batteriport
8. Dammrörskoppling
9. Inre fläns
10. Yttre fläns
11. Bladskruv
12. Sexkantsnyckel
13. Låsspak för djupjustering
14. Skydd för kantguide
15. Sägklinga
16. Handtag, isolerad greppyta

UNDERHÅLL

⚠ VARNING

Produkten får aldrig anslutas till strömkälla under montering, justeringar, rengöring, underhåll eller när produkten inte används. Frånkoppling av produkten förhindrar uppstart av misstag vilket kan orsaka allvarliga skador.

- Under servicearbete ska enbart tillverkarens originaltillbehör användas. Användning av andra delar kan orsaka fara eller produktskada.
- Undvik att använda lösningsmedel vid rengöring av plastdelar. Flertalet plaster kan skadas vid användning av vissa lösningsmedel som säljs i affärerna. Använd en ren tygrasa för att torka bort smuts, damm, osv.
- Låt aldrig bromsvätska, bensin, petroleumbaserade produkter, penetrerande oljor och liknande komma i kontakt med plastdelar. Dessa ämnen innehåller kemiska produkter som kan skada, försvaga eller förstöra plasten.
- Använd alltid skyddsglasögon när du använder verktyget eller när du blåser damm. Använd en ansiktsmask om det dammar mycket.
- För säkerhet och pålitlighet ska alla reparationer utföras av auktoriserat RYOBI reparationscenter.

SMÖRJNING

Alla lager i produkten har smorts med tillräcklig mängd högklassig smörjmedel för produktens livslängd under normala driftförhållanden. Därför behövs ingen ytterligare smörjning.

SYMBOLER



Säkerhetsvarning



Likström



Trä



Såga inte i produkter av metall



Använd skyddsglasögon



Fara! Vass klinga.



Skydda mot regn



Skärbredd



Sågtand



Läs instruktionerna ordentligt innan start av maskinen.

Kassera inte uttjänta batterier, elavfall och elektronisk utrustning som restavfall. Uttjänta batterier, elavfall och elektronisk utrustning måste samlas in separat.

Uttjänta batterier, uttjänta ackumulatorer och ljuskällor måste avlägsnas från utrustningen. Fråga din lokala myndighet eller återförsäljare om återvinningsråd och uppsamlingsplats. Beroende på lokala bestämmelser kan återförsäljare vara skyldiga att kostnadsfritt ta tillbaka uttjänta batterier samt elektriskt och elektroniskt avfall. Ditt bidrag till återanvändning och återvinning av uttjänta batterier samt elektriskt och elektroniskt avfall bidrar till att minska behovet av råmaterial. Uttjänta batterier, särskilt litiumbatterier, samt elavfall och elektronisk utrustning innehåller värdefulla och återvinningsbara material som kan påverka miljön och människors hälsa negativt, om de inte kasseras på ett miljömässigt sätt. Radera eventuella personuppgifter från avfallsutrustningen.



Pyörösahan suunnittelussa on kiinnitetty erityistä huomiota turvallisuuteen, suorituskykyyn ja käyttövarmuuteen.

KÄYTTÖTARKOITUS

Pyörösahaa saavat käyttää vain aikuiset, jotka ovat lukeneet tässä käyttöohjeessa olevat ohjeet ja varoitukset ja ymmärtävät niiden sisällön ja joiden voidaan katsoa olevan vastuussa omista teoistaan.

Tuote on suunniteltu enintään 45 mm syvän puun tai vastaavan materiaalin poikkileikkaukseen. Tuotteella voidaan tehdä suoria tai viistoleikkauksia asteissa 0–50. Sahaa saa käyttää vain siten, että työkalun alaosa on kosketuksessa työkappaleeseen. Laitetta saa käyttää vain kuivassa, hyvin valaistussa ja hyvin tuuletetussa tilassa.

Kone on suunniteltu käsin pideltäväksi. Konetta ei saa asentaa työpenkkiin ilman sahan valmistajalta saatuja ohjeita siitä, kuinka asentaminen tehdään. Älä käytä metallin tai kiven leikkaamiseen.

Älä käytä tätä tuotetta millään muulla tavalla kuin mihin se on tarkoitettu. Sähkötyökalun käyttö muuhun kuin sille tarkoitettuun työhön voi aiheuttaa vaarallisia tilanteita.

VAROITUS

Lue tarkkaavaisesti kaikki tämän työkalun kanssa toimitetut varoitukset, ohjeet ja spesifikaatiot, ja katso lisäksi kuvat. Seuraavassa esitettyjen ohjeiden laiminlyönnistä saattaa olla seurauksena onnettomuuksia kuten tulipalot, sähköiskut ja/tai vakavia kehon vammoja.

Säästä kaikki varoitukset ja ohjeet tulevaa käyttöä varten.

PYÖRÖSAHAA KOSKEVAT TURVAVAROITUKSET

KATKAISEMINEN

VAARA

Älä kosketa leikkuualuetta tai terää. Käsi, joka ei ole työkalun peruskahvalla on pidettävä lisäkahvalla tai asetettava moottorin suojukselle. Näin kädet eivät pääse leikkuualueelle, terän kulkureitille.

- **Älä kurota työkappaleen alle.** Teränsuojus ei voi tällöin suojata käsiä, koska se ei peitä terää.
- **Sovita sahausvyvyys työkappaleen paksuuden mukaisesti.** Terän hampaisto ei saa tulla kokonaan työkappaleen yli leikkauksen aikana.
- **Älä KOSKAAN pidä työkalupäätä käsin tai reisien välissä. Kiinnitä se tukevalle kannattimelle.** Työkappale on ehdottomasti kiinnitettävä oikein loukkaantumisaaralle ehkäisemiseksi ja ettei terä pääsisi taipumaan, jolloin vaarana on työkalun hallinnan menettäminen.
- **Pidä kiinni sähkötyökalusta vain kahvasta jossa tartuntapinta, erityisesti kun työstät materiaalia, jossa on mahdollisesti piilossa olevia johtoja.** Jos sähkötyökalu koskettaa sähköistettyä johtoa, työkalun metalliosat voivat sähköistyä ja aiheuttaa käyttäjälle sähköiskun.

- **Kun teet halkaisua, käytä aina rinnakaista leikkuuohjainta tai suoraa reunalistaa.** Leikkuutulokset paranevat ja terä ei pääse taipumaan.
- **Käytä aina akselille sopivia teräkokoja ja -muotoja.** Akselille sopimattomat terät eivät pyöri oikealla tavalla ja voivat aiheuttaa työkalun hallinnan menettämisen.
- **Älä koskaan käytä viallisia tai sopimattomia terän ruuveja ja laippoja.** Terän laipat ja ruuvit on suunniteltu kyseessä olevalle sahamallille optimaalisen turvallisuuden ja tehokkuuden takaamiseksi.

TAKAPOTKU JA SIIHEN LIITTYVÄT VAROITUKSET:

- Takaisku on äkillinen reaktio, joka aiheutuu terän nipistytessä, vääntytessä tai huonosta linjauksesta; terä vapautuu yhtäkkiä työkappaleesta ja perääntyy väkivaltaisesti käyttäjää kohti.
- Kun terä nipistyy puuhun, se tarttuu kiinni ja käynnissä oleva moottori sinkooa sahan terän pyörimissuunnasta vastapäiseen suuntaan eli käyttäjää kohti.
- Jos terä vääntyy tai on huonosti linjattu, terän takahampaisto voi pouputua puun pintaan, jonka seurauksena terä irtaantuu äkkiä työstettävästä kappaleesta käyttäjää kohti.

Takaisku aiheutuu siis työkalun huonosta käytöstä ja/tai vääristä sahausmenetelmistä tai -olosuhteista. Tämä voidaan ehkäistä varokeinoja noudattamalla.

- **Pidä sahasta tukevasti kaksin käsin ja käsivarret niin, että voit hallita mahdollisen takaiskun. Asetu sahan jommallekummalle puolelle, älä koskaan asetu terää vastapäätä.** Takaisku sinkooa sahan äkkikipakaisesti taaksepäin. Tätä liikettä voidaan kuitenkin hallita, jos käyttäjä on siihen varautunut.
- **Jos terä juuttuu tai joudut jostain syystä keskeyttämään sahauskeskeytyksen, vapauta liipaisin ja pidä sahaa työkappaleella kunnes terä lakkaa kokonaan pyörimästä. Älä koskaan yritä irrottaa sahaa työkappaleesta tai vedä sahaa taaksepäin terän pyöriessä, muutoin voit aiheuttaa takapotkun.** Jos terä juuttuu, etsi syy ja noudata tarvittavia toimia, ettei näin pääse tapahtumaan uudelleen.
- **Ennen kuin käynnistät sahan työn jatkamiseksi, linjaa terä oikein leikkuuviivalle ja tarkasta, ettei hampaisto kosketa työkappaleeseen.** Jos terä on tartunut työkappaleeseen, takaisku voi tapahtua kun saha käynnistetään.
- **Kannata pitkiä kappaleita, ettei terä pääse tarttumaan, jolloin vältät takaiskuvaaran.** Pitkillä työkappaleilla on taipumusta keinoja oman painovoiman johdosta. Voit asettaa kannattimia työkappaleen molemmille puoleille, lähelle leikkuuviivaa ja kappaleen päätä.
- **Älä käytä tylsyneitä tai viallisia teriä.** Tylsät tai huonosti asennetut terät tekevät ohuen jäljen, aiheuttaen liiallista kitkaa, jonka seurauksena on suurempi vääntymis- ja takaiskuvaara.
- **Tarkasta ennen sahauskeskeytyksen aloitusta, ettei sahausvyvyyden ja kaltevuuden säätönäpit ovat oikein lukittuina.** Jos terän asentossäädöt muuttuvat sahauskeskeytyksen aikana, on vaarana terän tarttuminen ja takaiskun ilmaantuminen.
- **Ole erittäin varovainen sahatessasi olemassa oleviin seinämiin tai muihin sokkeihin kohtiin niiden keskeltä alkavaa leikkausta.** Terä voi osua piilossa oleviin esteisiin, mikä aiheuttaa takaiskun.

ALASUOJUKSEN TOIMINTA

- **Tarkasta aina ennen käyttöä, että alempi teränsuojus peittää terän oikein. Älä käytä sahaa, jos alempaa teränsuojusta ei voida käyttää vapaasti ja jos se ei käänny heti terälle. Älä koskaan lukitse tai kiinnitä alempaa teränsuojusta ”auki” asentoon.** Jos saha putoaa epähuomiossa, alempi teränsuojus voi taipua. Nosta alempaa teränsuojusta vivulla ja varmista, että sitä voidaan käyttää vaivattomasti ja ettei se kosketa terään eikä muihin osiin missään sahauskulmassa ja -syvytydessä.
- **Varmista, että alemman teränsuojuksen jousi on hyväkuntoinen ja toimii oikein. Jos teränsuojus tai jousi ei toimi oikein, korjauta tai vaihda ne ennen sahan käyttöä.** Alasuoja voi toimia hitaasti vioittumisen, tahmeiden jäämien ja roskakeräymien takia.
- **Alasuoja voidaan vetää sisään manuaalisesti ainoastaan erikoistapauksessa, kuten tehtäessä uppo- tai yhdistelmäleikkauksia.** Nosta alempaa teränsuojusta sen käyttövivusta. Vapauta sitten alempi teränsuojus heti, kun terä putoaa työkalupaleeseen. Alempi teränsuojus asetettu automaattisesti paikalleen kaikissa muissa sahaustavoissa.
- **Varmista, että alempi teränsuojus peittää terän hyvin aina ennen, kuin asetat sahan työpöydälle tai maahan.** Jos terä ei peity hyvin, se voi pyöriä inertiaivoimalla ja leikata kaiken kulkureitillä olevan. Ole tietoinen siitä, että terä jatkaa pyörimistä vielä hetken aikaa moottorin sammutuksen jälkeen.

MUITA TURVALLISUUSVAROITUKSIA

- **Laitteen käytöstä syntyvä pöly voi olla haitaksi terveydelle ja palo- tai räjähdysaltista. Älä hengitä pölyä.** Käytä pölynimuria ja asianmukaista pölynaamaria. Poista kerääntynyt pöly huolella, esim. pölynimurilla.
- **Älä koskaan käytä hiomalaikkaa.**
- **Älä anna terän kärkien ylikuumentaa. Älä käytä tylsyneitä tai viallisia teriä.** Älä pakota laitetta.
- **Älä käytä suositeltua suurempia tai pienempiä teriä.**
- Käytä kuulosuojaimia.
- **Kiinnitä työkalupale paikoilleen puristimella.** Kiinnittämätön työkalupale voi aiheuttaa vakavan vamman ja vaurioita.
- **Tarkista leikattava materiaali huolella vieraskappaleiden, kuten nauhojen, ruuvien ja niittien varalta, erityisesti käyttäessäsi kierrätettyä puuta.** Jos naulat, ruuvit, niitit tms. koskettavat terää leikattaessa, saha vaurioituu ja käyttäjä tai sivulliset saattavat loukkaantua vakavasti.
- **Älä kosketa sahanterää heti sahaamisen jälkeen.** Sahanterä kuumenee sahausksen aikana.
- Käytä ainoastaan merkintöjen mukaista terän läpimittaa.
- Valitse käytettävä sahanterä leikattavan materiaalin mukaan.
- Käytä ainoastaan terää, johon on merkitty sama tai suurempi nopeus kuin työkalussa.

- Käytä ainoastaan valmistajan suosittelemia ja EN 847-1 -standardia vastaavia sahanterä, jos niitä on tarkoitus käyttää puulle ja vastaaville materiaaleille.
- Käytä pölynaamaria.
- Ympäristön lämpötila-alue työkalulle käytön aikana on 0 °C ja 40 °C välillä.
- Ympäristön lämpötila-alue työkalulle varastoinnin aikana on 0 °C ja 40 °C välillä.
- Suositeltu ympäristön lämpötila-alue latausjärjestelmän latauksen aikana on 10 °C ja 38 °C välillä.

LISÄÄ AKUN TURVALLISUUSVAROITUKSIA

VAROITUS

Jotta vältetään lyhytsulun aiheuttama tulipalon, loukkaantumisen tai tuotteen vahingoittumisen vaara, älä koskaan upota työkalua, vaihtoakkuja tai latauslaitetta nesteeseen ja huolehdi siitä, ettei mitään nesteitä pääse tunkeutumaan laitteiden tai akkujen sisään. Syövyttävät tai sähköä johtavat nesteet, kuten suolavesi, tietyt kemikaalit ja lalkaisuaineet tai valkaisuaineita sisältävät tuotteet voivat aiheuttaa lyhytsulun.

- Ympäristön lämpötila-alue akulle käytön aikana on 0 °C ja 40 °C välillä.
- Ympäristön lämpötila-alue akun varastoinnin aikana on 0 °C ja 20 °C välillä.

LITIUMAKKIJEN KULJETTAMINEN

Kuljeta akkuja paikallisten ja kansallisten ehtojen ja säädösten mukaisesti.

Noudata kaikkia pakkaamista ja nimeämistä koskevia erikoissäädöksiä, kun kolmas osapuoli kuljettaa akkuja. Varmista, että mikään akku ei kosketa muita akkuja tai johtavaa materiaalia kuljetuksen aikana suojaamalla paljaat navat eristävillä, johtamattomilla korkeilla tai teipillä. Älä kuljeta akkuja, jotka ovat halkeilleet tai vuotavat. Kysy välitysyriykseltä lisäneuvoja.

KÄYTÖN RISKIT

Vaikka tuotetta käytettäisiin ohjeiden mukaisesti, ei ole mahdollista täysin eliminoida tiettyjä käyttöön liittyviä riskitekijöitä. Käytössä voi aiheutua seuraavia vaaroja, ja käyttäjän tulee kiinnittää erityistä huomiota niiden välttämiseen:

- Takapotkun aiheuttama vamma
 - Pehdy tämän käyttöohjeen sisältöön huolellisesti.
- Tärinän aiheuttama vamma
 - Vältä altistumista. Katso kohta Riskien Vähentäminen.
- Pölyn aiheuttama vamma
 - Käytä aina suojalaseja. Käytä asianmukaisia suodattimia, jotka suojaavat työmateriaalista irtoavalta pölyltä sekä hiomalaikan hankaavilta hiukkasilta. Älä syö, juo tai tupakoi työalueella. Huolehdi työpaikalla riittävästä tuuletuksesta.

- Sähköisku
 - Terä saattaa osua piilossa oleviin johtoihin, jolloin tuotteen osat sähköistyvät. Pitele tuotetta aina kahvoista ja ole varovainen leikatessasi seinäiä tai lattioita, joissa saattaa olla sähköjohtoja.
- HUOM:** Kun käsittelet seinäiä, kattoja tai lattioita, varo osumasta sähköjohtoihin ja kaasu- tai vesiputkiin.
- Leikkuuterää koskettamisesta aiheutuva vamma
 - Terät ovat hyvin teräviä ja kuumenevat käytössä. Käytä käsineitä vaihtaessasi teriä. Pidä kädet aina poissa leikkualaueelta. Älä KOSKAAN pidä työkalua käsin tai reisien välissä. Kiinnitä työkalu puristimilla aina kun mahdollista.

HUOLTO

VAROITUS

Tuotetta ei tule koskaan kytkeä pistorasiaan osia koottaessa, säätöjä tehtäessä, puhdistettaessa, huollon aikana tai kun tuotetta ei aiota käyttää. Tuotteen irrottaminen pistorasiasta estää sitä käynnistymättä vahingossa, jolloin vältytään mahdollisilta vakavilta vammoilta.

- Käytä huollossa ainoastaan alkuperäisiä valmistajan tuottamia varaosia. Muunlaisten osien käyttö voi aiheuttaa vaaran tai vioittaa laitetta.
- Älä puhdistu muoviosia liuottimilla. Suurin osa muoveista ei siedä markkinoilla olevia määrättyjä liuotteita, jotka vahingoittavat niitä. Käytä puhdasta riepua lian, polyn jne. puhdistukseen.
- Älä koskaan päästä jarrunesteitä, bensiiniä, öljytuotteita, läpäiseviä öljyjä tms. kosketuksiin muoviosien kanssa. Nämä kemialliset aineet voivat vaurioittaa, heikentää tai tuhoata muovin.
- Käytä aina sähkölaitetta käyttäessäsi tai pölyä puhaltaessasi suojalaseja, joissa on sivusuojaimet. Käytä lisäksi pölynaamaria, jos työ on pölyistä.
- Jotta laite toimisi turvallisesti ja luotettavasti, kaikki korjaukset tulee antaa valtuutetun RYOBI-huoltopisteen hoidettavaksi.

VOITELU

Tuotteen laitteen laakerit on voideltu laitteen eliniäksi normaaliolosuhteissa riittävällä määrällä korkealaatuista voiteluainetta. Tästä syystä työkalu ei kaipaa lisävoitelua.

SYMBOLIT



Tasavirta



Tasavirta



Puu



Älä leikkaa metallia



Käytä suojalaseja



Vaara! Terävä terä.



Älä jätä sateeseen



Leikkauksen leveys

RISKIEN VÄHENTÄMINEN

Raporttien mukaan käsityökalujen tärinä voi joidenkin kohdalla myötävaikuttaa Raynaudin oireen ilmenemiseen. Oireita ovat pistely, turtuus ja sormien kalpeneminen, yleensä kylmässä ilmassa. Perinnölliset tekijät, kylmyys ja kosteus, ruokavalio, tupakointi sekä työtavat voivat kaikki myötävaikuttaa näiden oireiden ilmenemiseen. Käyttäjä voi ehkäistä tärinän aiheuttamia vaikutuksia seuraavasti:

- Pidä itsesi lämpimänä kylmällä säällä. Käytä laitteen käytön aikana käsineitä, jotta kätesi ja ranteesi pysyvät lämpöisinä. Raporttien mukaan kylmä ilma on tärkeä tekijä Raynaud's Syndromen (Raunaudin oireiden) ilmenemisessä.
- Harjoita kunkin käyttöjakson jälkeen liikuntaa, jotta verenkierto lisääntyisi.
- Pidä työn aikana säännöllisesti taukoja. Rajoita päivittäisen tärinän määrä.

Jos mitään yllä mainittuja oireita ilmenee, lopeta heti laitteen käyttö ja kerro oireista lääkärille.

VAROITUS

Laitteen pitkittynyt käyttö voi aiheuttaa tai vaikeuttaa vammoja. Kun käytät mitä tahansa laitetta pitkiä aikoja, muista pitää säännöllisiä taukoja.

TUNNE TUOTTEESI

Katso sivu 109.

1. Reunaohjaimen nappi
2. Viisteen säätönappi
3. Akselin lukintanappi
4. Etukahva, eristetty tartuntapinta
5. Liipaisimen lukinnan vapautusnappi
6. Liipaisin
7. Akkutila
8. Pölyputken liitos
9. Sisälaippa
10. Ulkolaippa
11. Terän ruuvi
12. Kuusioavain
13. Syvyyssäädön lukitusvipu
14. Reunaohjain
15. Terä
16. Kahva, eristetty tartuntapinta



Terän hampaat



Lue ohjeet huolellisesti ennen laitteen käynnistämistä.

Älä hävitä käytettyjä akkuja sekä sähkö- ja elektroniikkalaiteromua lajittelemattomana yhdyskuntajätteenä. Käytetyt akut sekä sähkö- ja elektroniikkalaiteromu on kerättävä erikseen. Käytetyt paristot ja akut ja hukkavalonlähteet on poistettava laitteista. Kysy paikalliselta viranomaiselta tai jälleenmyyjältä kierrätysneuvoja ja tietoja keräyspisteistä. Paikallisten määräysten mukaan jälleenmyyjillä voi olla velvollisuus ottaa käytetyt akut sekä sähkö- ja elektroniikkalaiteromu takaisin veloitusetta. Panoksesi käytettyjen akkujen sekä sähkö- ja elektroniikkalaiteromu uudelleenkäyttöön ja kierrätykseen auttaa vähentämään raaka-aineiden kysyntää. Käytetyt, erityisesti litiumia sisältävät akut sekä sähkö- ja elektroniikkalaiteromu sisältävät arvokkaita ja kierrätettäviä materiaaleja, jotka voivat vaikuttaa haitallisesti ympäristöön ja ihmisten terveyteen, jos niitä ei hävitetä ympäristöystävällisellä tavalla. Poista mahdolliset henkilötiedot jätelaitteista.



Sikkerhet, ytelse og pålitelighet har hatt topp prioritet under konstruksjonen av denne sirkelsagen.

TILTENKT BRUK

Den skal bare brukes av voksne som har lest og forstått instruksjonene og advarslene i denne håndboken, og som kan anses som ansvarlige for sine handlinger.

Produktet er utformet for lengde- og tverrkapping av tre eller lignende materialer til en maksimal dybde på 45 mm. Produktet kan foreta rette eller avfasede kutt mellom 0 og 50 grader. Den skal brukes slik at nedre kant av verktøyet er i kontakt med arbeidsstykket. Den skal bare brukes på et tørt og godt opplyst område med god ventilasjon.

Produktet er designet for håndholdt bruk. Produktet skal ikke monteres på en arbeidsbenk, med mindre det gis spesifikke instruksjoner fra sagprodusenten om hvordan dette gjøres. Ikke bruk for skjæring av metall eller mur.

Ikke bruk produktet på noe annen måte enn det som er beskrevet som tiltenkt bruk. Bruk av elektrisk verktøy på en måte det ikke var tiltenkt kan skape farlige situasjoner.

⚠ ADVARSEL

Les nøye gjennom alle advarslene, instruksene og spesifikasjonene som følger med verktøyet, og se på tegningene. Hvis forskriftene nedenfor ikke overholdes, kan det forårsake ulykker som brann, elektrisk støt og/eller alvorlige personskader.

Ta vare på alle advarsler og anvisninger for senere bruk.

SIKKERHETSADVARSLER VED BRUK AV SIRKELSAG

SAGEPROSEDYRER

⚠ FARE

Hold hendene vekke fra skjæreområdet og skjærebladet. Hånden som ikke holder verktøyets hovedhåndtak skal holde støttehåndtaket eller ligge på motorhuset. Dermed risikerer ikke hendene dine å ligge i sageområdet, i bladets sagspor.

- **Ikke berør området under arbeidsstykket.** Der kan ikke bladbeskytteren beskytte deg, da det ikke dekker bladet.
- **Still inn sagedybden alt etter arbeidsstykkets tykkelse.** Bladets tenner skal ikke stikke helt ut under arbeidsstykket under sagingen.
- **Hold ALDRI arbeidsstykket med hånden din eller mellom bena. Fest det på et stabilt underlag.** Det er veldig viktig å feste arbeidsstykket riktig slik at du ikke utsetter deg selv for personskader og ikke å bøye bladet eller miste kontroll over verktøyet.
- **Hold det elektriske verktøyet på de isolerte gripeflatene når du foretar arbeid der skjæreredskapen kan få kontakt med skjulte strømførende elektriske ledninger.** Kontakt med en strømførende ledning vil også gjøre de synlige

metalldelene på verktøyet strømførende og gi brukeren elektrisk støt.

- **Bruk alltid et parallellanslag eller et rett trestykke når du kløyver.** Sagingen blir mer presis og du unngår å bøye bladet.
- **Bruk alltid et blad som har en størrelse og en form som passer til spindelens diameter.** Et blad som ikke passer til spindelen som det skal monteres på vil ikke gå rundt riktig og kan få deg til å miste kontroll over verktøyet.
- **Bruk aldri skruer eller bladskiver som er defekte eller uegnet.** Bladskiver og skruer er spesiallaget til din sagmodell, for optimal sikkerhet og ytelse.

ÅRSAKER TIL TILBAKESLAG OG TILHØRENDE ADVARSLER:

- **Tilbakekast er en plutselig reaksjon som oppstår når bladet klemmes, vris eller er dårlig stilt; sagen kommer plutselig ut av arbeidsstykket og rykker voldsomt tilbake mot brukeren.**
- **Når bladet klemmes i treverket, stopper det; motoren, som fortsetter å gå, slynger da sagen i motsatt retning i forhold til bladets rotasjonsretning, det vil si mot brukeren.**
- **Hvis bladet vris eller er dårlig stilt, kan tennene på baksiden av bladet trenge inn i treverket, noe som kan få bladet til å gå plutselig ut av arbeidsstykket mot brukeren.**

Tilbakekast er altså forårsaket av gal bruk av verktøyet og/eller gale sagedybdyrer eller –forhold. Det kan unngås ved å ta visse forholdsregler.

- **Hold sagen godt med begge hender og legg armene dine slik at de kan kontrollere et eventuelt tilbakekast. Stå på den ene siden av sagen når du arbeider, men aldri i linje med bladet.** Tilbakekast slynger plutselig sagen bakover, men denne bevegelsen kan kontrolleres hvis brukeren er forberedt.
- **Hvis bladet klemmes fast, eller hvis du av en eller annen grunn må avbryte sagingen, må du slippe av/ på bryteren og holde sagen i arbeidsstykket helt til bladet har sluttet å rotere. Forsøk aldri å fjerne arbeidsstykket fra sagen eller trekke det bakover mens sagbladet fortsatt er i bevegelse idet dette kan føre til at sagbladet hogger i arbeidsstykket.** Hvis bladet står fast, må du forsøke å finne årsaken og ta nødvendige foranstaltninger for at det ikke skal skje igjen.
- **Før du starter sagen igjen for å fortsette med et sagsnitt, må du stille bladet i linje med sagsporet og sjekke at tennene ikke rører arbeidsstykket.** Hvis bladet er låst fast i arbeidsstykket, kan det oppstå tilbakekast når sagen startes igjen.
- **Sørg for å støtte lange arbeidsstykker for å unngå at bladet låses fast og begrense faren for tilbakekast.** Lange arbeidsstykker har lett for å bøyes under sin egne vekt. Du kan plassere støtter på begge sider av arbeidsstykket, i nærheten av sagsporet og ved arbeidsstykkets ende.

- **Bruk ikke sløve eller skadete blad.** Blad som ikke er skjerpet eller som er dårlig montert vil lage et tynnere sagspor som vil forårsake for stor friksjon av bladet og dermed en større fare for vridning og tilbakekast.
- **Før du begynner et snitt, må du se etter at knappene for innstilling av dybde og skråstilling er låst godt fast.** Hvis innstillingene av bladposisjonen endres under sagingen, kan bladet låses fast og det kan oppstå tilbakekast.
- **Vis ekstra forsiktighet når du sager inn i en vegg eller andre lukkede områder.** Bladet kan komme bort i skjulte elementer, noe som kan medføre tilbakekast.
- **Fest arbeidsstykket med en tvinge.** Ikke festede emner kan påføre alvorlig personskade og materielle skader.
- **Kontroller grundig materialet som skal kappes for fremmedlegemer som spiker, skrur og stiftematerialer, spesielt dersom det arbeides med resirkulerte trematerialer.** Hvis spiker, skruer eller andre metallgjenstander treffer sagbladet under kapping vil sagen kunne bli skadet og operatøren og folk som står i nærheten påført alvorlig skade.
- **Ikke berør sagbladet umiddelbart etter saging.** Sagbladet blir varmt ved saging.

FUNKSJONEN TIL NEDRE BESKYTTELSE

- **Før hver bruk må du kontrollere at den nedre bladbeskyttelsen dekker bladet som det skal. Bruk ikke sagen dersom den nedre bladbeskyttelsen ikke aktiveres fritt og det ikke senkes øyeblikkelig på bladet. Den nedre bladbeskyttelsen skal aldri festes eller fastspennes i åpen stilling.** Dersom sagen tilfeldigvis faller, kan den nedre bladbeskytteren bøyes. Løft opp den nedre bladbeskytteren ved hjelp av hendelen og påse at det kan håndteres uten vanskeligheter og at det ikke rører bladet eller en annen del, uavhengig av saguevinkelen og –dybden du har valgt.
- **Se etter at den nedre bladbeskytteren fjær er i god stand og fungerer riktig. Hvis bladbeskytteren eller fjæren ikke fungerer riktig, må de repareres eller skiftes ut før sagen brukes.** Det nedre skjoldet kan bevege seg tregt som følge av skadede deler, avleiringer eller oppbygging av avfall.
- **Det nedre skjoldet kan kun trekkes tilbake for hånd ved spesielle oppgaver, som "dypkutt" og "kombinertkutt."** Løft opp den nedre bladbeskytteren ved hjelp av hendelen. Straks bladet trenger inn i arbeidsstykket, kan du slippe den nedre bladbeskytteren. For alle andre sagsnitt, settes den nedre bladbeskytteren automatisk på plass.
- **Sjekk alltid at den nedre bladbeskytteren dekker bladet godt før du legger sagen på en arbeidsbenk eller på gulvet.** Dersom bladet ikke er riktig tildekket, kan det gå rundt av seg selv og skjære det som befinner seg i sagbanen. Du må være klar over at bladet fortsetter å gå rundt en liten stund etter at motoren har stoppet.
- **Bruk kun bladdiameter(e) i samsvar med merkingene.**
- **Identifiser riktig sagblad som skal brukes for å kappe materialet.**
- **Bruk kun de sagbladene som er merket med en fart som er lik eller høyere enn farten som er angitt på sagen.**
- **Bruk kun sagblader som anbefales av produsenten, som samsvarer med EN 847-1, hvis beregnet til tre og lignende materialer.**
- **Bruk støvmaske.**
- **En passende temperatur for verktøyet når det brukes er mellom 0 °C og 40 °C.**
- **En passende temperatur for lagring av verktøyet er mellom 0 °C og 40 °C.**
- **En passende temperatur når systemet opplades er mellom 10 °C og 38 °C.**

EKSTRA ADVARSLER FOR BATTERISIKKERHET

⚠ ADVARSEL

For å unngå fare for en brann forårsaket av en kortslutning, av personskader eller skader av produktet, må det forhindres at batteripakken eller laderen dypes i væsker og også sørges for at ingen væsker kan komme inn i apparatene eller batteriene. Korroderende og ledende væsker som saltvann, visse kjemikalier og blekemidler eller produkt som inneholder blekemidler kan forårsake en kortslutning.

- **En passende batteritemperatur når verktøyet brukes er mellom 0 °C og 40 °C.**
- **En passende lagringstemperatur for batteriet er mellom 0 °C og 20 °C.**

TRANSPORTERE LITUM-BATTERIER

Transporter batteriet i samsvar med lokale og nasjonale forskrifter og bestemmelser.

Følg alle spesielle krav når det gjelder pakking og merking når tredje part skal transportere batteriene. Pass på at batteriene ikke kan komme i kontakt med andre batterier eller ledende materialer når de transporteres ved at du beskytter åpne koblinger med isolerende, ikkeledende hetter eller tape. Ikke transportert batterier som har sprekker eller lekket. Sjekk med transportfirmaet for ytterligere råd.

SPESIELLE SIKKERHETSADVARSLER

- **Støvet som oppstår når man bruker produktet kan være skadelig for helsen, antennelig eller eksplosivt. Ikke pust inn støvet.** Bruk et støvavtrekk og ta på deg en passende støvmaske. Fjern støv grundig, det vil for eksempel si med en støvsuger.
- **Bruk aldri slipeskive.**
- **Unngå overoppheting av bladtuppene. Bruk ikke sløve eller skadete blad.** Ikke press verktøyet.
- **Ikke bruk blader med større eller mindre diameter enn anbefalt.**
- **Bruk hørselsvern.**

GJENVÆRENDE RISIKO

Også når produktet brukes som beskrevet, er det ikke mulig å utelukke risiko for brukere eller personer i nærheten. Følgende farer kan oppstå ved bruk og operatøren bør være spesielt oppmerksom på å unngå/sikre følgende:

- Personskader pga. tilbakeslag
 - Les og sikre deg at du forstår informasjonen i denne håndboken.
- Personskader pga. vibrasjon
 - Begrens eksponering. Se "Farereduksjon".
- Skader skapt av støv.
 - Bruk alltid øyebeskyttelse. Bruk en adekvat støvmaske med passende filtre som kan beskytte mot støvet som genereres av arbeidsemne. Ikke spis, drikk eller røyk i arbeidsområdet. Sørg for tilfredsstillende ventilasjon av arbeidsområdet.
- Elektrisk støt
 - Bladet kan komme i kontakt med skulte ledninger, som kan gjøre deler av produktet strømførende. Hold produktet alltid i håndtakene og pass på når du kutter i vegger og gulv der det kan være skjulte kabler.

NB: Når det arbeides på vegger, tak eller gulv må det påses at det ikke bores i elektriske ledninger og vann- eller gassrør.
- Personskade ved kontakt med sagbladet
 - Sagbladene er meget skarpe og blir meget varme ved bruk. Bruk hansker når du skifter bladene. Hold hendene til enhver tid unna kutteområdet. Hold ALDRI arbeidsstykket med hånden din eller mellom bena. Klem fast arbeidsemne når det er mulig.
- brukeren får elektrisk støt.

EKSTRA ADVARSLER FOR BATTERISIKKERHET

⚠ ADVARSEL

For å unngå fare for en brann forårsaket av en kortslutning, av personskader eller skader av produktet, må det forhindres at batteripakken eller laderen dyppes i væsker og også sørges for at ingen væsker kan komme inn i apparatene eller batteriene. Korroderende og ledende væsker som saltvann, visse kjemikalier og blekemidler eller produkt som inneholder blekemidler kan forårsake en kortslutning.

FAREREDUKSJON

Det har blitt rapportert at vibrasjonene fra håndholdt verktøy kan bidra til en tilstand som heter Raynauds syndrom hos enkelte. Symptomene kan omfatte følelseløshet og gjøre fingrene bleke, vanligvis synlig ved eksponering til lave temperaturer. Arvelige faktorer, eksponering mot lave temperaturer og fuktighet, diett, røyking og arbeidspraksis blir alle ansett for å kunne bidra til å utvikle disse symptomene. Brukeren kan iverksette tiltak for mulig å redusere virkningene av vibrasjonene:

- Hold kroppen din varm i kaldt vær. Bruk hansker og hold hender og vrister varme ved bruk av gressklipperen. Det er rapportert at kaldt vær er en viktig faktor som bidrar til Raynauds Syndrome.
- Etter hver arbeidsperiode bør det utføres øvelser for å øke blodsirkulasjonen.
- Ta ofte pauser fra arbeidet som utføres. Begrens mengden av eksponering pr. dag.

Hvis du opplever noen av symptomene på denne tilstanden må du øyeblikkelig avbryte arbeidet og oppsøke en lege med disse symptomene.

⚠ ADVARSEL

Skader kan oppstå eller forsterkes ved forlenget bruk av et verktøy. Når du bruker et verktøy over en lenger tidsperiode, husk å ta regelmessige pauser.

KJENN DITT PRODUKT.

Se side 109.

1. Kantføringsknapp
2. Skråkant justeringsknapp
3. Spindellåseknapp
4. Fronthåndtak, isolert gripeoverflate
5. Strømbryterens frigjøringsknapp
6. Strømbryter
7. Batteridør
8. Støvrørkobling
9. Innvendig flens
10. Utvendig sdestykke
11. Bladskruen
12. Sekskantnøkkel
13. Dybdejustering låsespak
14. Kantføringsbeskyttelse
15. Blad
16. Håndtak, isolert gripeoverflate

VEDLIKEHOLD

⚠ ADVARSEL

Produktet skal aldri kobles til en strømforsyning mens du monterer på deler, gjør justeringer, rengjør, utfører vedlikehold eller når produktet ikke er i bruk. Ved å koble fra produktet hindrer man utilsiktet start som kan forårsake alvorlig personskade.

- Bruk bare produsentens originale reservedeler til reparasjoner og vedlikehold. Bruk av andre deler kan skape fare eller føre til skade på produktet.
- Unngå bruk av løsemidler når du rengjør plastdelene. De fleste plastmaterialene kan skades ved bruk av løsningsmidlene som fås i handelen. Bruk en ren klut til å tørke bort smuss, støv osv.
- Du må aldri la bremsevæske, drivstoff, petroleumsbaserte produkter, rustoppløsende olje osv. komme i kontakt med plastikkdeler. Slike kjemiske produkter inneholder stoffer som kan skade, svekke eller ødelegge platen.

- Bruk alltid vernebriller eller sikkerhetsbriller med sidebeskyttelse ved bruk av elektrisk verktøy eller når det blåses støv. Hvis arbeidet utløser støv, bruk også en støvmaske.
- Før større sikkerhet og pålitelighet, bør alle reparasjoner utføres av et autorisert RYOBI servicesenter.

SMØRING

Alle lager i dette produktet skal smøres med en tilstrekkelig mengde med et høyverdig smøremiddel for å sikre lang levetid under normale driftsforhold. Det er derfor unødvendig med tilleggs smøring.



Ikke kast avfallsbatterier, elektrisk og elektronisk utstyrsavfall som usortert kommunalt avfall. Avfallsbatterier og elektrisk og elektronisk utstyrsavfall må samles inn separat. Avfallsbatterier, avfallsakkumulatorer og lyskilder må fjernes fra utstyret. Undersøk med de lokale myndighetene for resirkuleringsråd og innsamlingspunkt. I henhold til lokale forskrifter kan forhandlere være forpliktet til å ta tilbake avfallsbatterier, elektrisk og elektronisk utstyrsavfall gratis. Ditt bidrag til gjenbruk av og gjenvinning av avfallsbatterier og elektrisk og elektronisk utstyrsavfall bidrar til å redusere etterspørselen etter råmaterialer. Avfallsbatterier, spesielt de som inneholder litium, og elektrisk og elektronisk utstyrsavfall inneholder verdifulle og resirkulerbare materialer som kan påvirke miljøet og menneskets helse negativt, hvis de ikke blir kastet på en miljøkompatibel måte. Slett personlig data fra utstyrsavfall, om noen.

SYMBOLER



Sikkerhetsadvarsel



Likestrøm



Tre



Ikke sag i metall



Bruk øyebeskyttelse



Fare! Skarpt blad.



Ikke utsett utstyret for regn



Bredde på kappet



Bladtenner



Vennligst les instruksjonene nøye før du starter maskinen.

При производстве циркулярной пилы наибольшее внимание уделяется безопасности, эксплуатационным характеристикам и надежности инструмента.

НАЗНАЧЕНИЕ

Циркулярная пила предназначена только для использования взрослыми, изучившими все инструкции и предостережения настоящего руководства и несущими ответственность за свои действия.

Изделие предназначено для продольного и поперечного распила древесины или аналогичного материала на глубину до 45 мм. Изделие может выполнять распил под прямым углом или под наклоном от 0 до 50 градусов. При использовании основание инструмента должно соприкасаться с обрабатываемым изделием. Пользоваться пилой следует только в сухих, хорошо освещенных и вентилируемых помещениях.

Изделие предназначено для использования в портативном режиме. Запрещается устанавливать изделие на верстак, если нет специальных инструкций производителя пилы, регламентирующих порядок такого крепления. Не используйте инструмент для распиливания металла и каменной кладки.

Используйте устройство строго по назначению, указанному в настоящем руководстве. Использование данного электроинструмента не по назначению может создать опасную ситуацию.

⚠ ОСТОРОЖНО

Прочтите все указания, инструкции, иллюстрации и спецификации, поставляемый с этим электроинструментом. Несоблюдение всех инструкций, указанных ниже, может привести к поражению электрическим током, пожару и / или серьезным травмам.

Сохраните все предупреждения и инструкции для дальнейшего использования.

ПРЕДОСТЕРЕЖЕНИЕ О БЕЗОПАСНОМ ИСПОЛЬЗОВАНИИ ЦИРКУЛЯРНОЙ ПИЛЫ

ВЫПОЛНЕНИЕ РАЗРЕЗОВ

⚠ ОПАСНО

Не держите руки в области резания и режущего диска. Вторую руку кладите на дополнительную рукоятку или корпус двигателя. Держите инструмент двумя руками, это позволит избежать попадания рук под пильный диск.

- **Не помещайте руки под обрабатываемую деталь.** Защитный кожух не может защитить Вас от лезвия под заготовки.
- **Отрегулируйте глубину пропила в соответствии с толщиной заготовки.** Не допускайте, чтобы пильный диск проходил заготовку более, чем на высоту зуба.

- **Никогда не поддерживайте отпиливаемый материал. Закрепите изделие на устойчивой платформе.** Важно следить за своей безопасностью, избегать заклинивания диска или потери контроля над инструментом.
- **При работе держите инструмент за рукоятки с электроизолирующим покрытием, так как пильное полотно может наткнуться на скрытую электропроводку.** Касание провода, находящегося под напряжением, может вызвать протекание электрического тока через металлические части электроинструмента и привести к поражению оператора электрическим током.
- **Во время работы используйте параллельный упор или направляющую.** Это улучшит точность резки и снизит риск заклинивания диска.
- **Всегда используйте пильные диски правильного размера и формы, с соответствующим диаметром посадочного отверстия.** Диски с посадочным отверстием не соответствующим диаметру шпинделя пилы будут работать с биением, что может привести к потере контроля над инструментом.
- **Никогда не используйте поврежденные или нештатные шайбы или болты крепления пильного диска.** Крепеж пильного диска был специально разработан для данного инструмента и обеспечивает наилучшее качество работы и безопасность.

ПРИЧИНЫ ОТСКОКОВ И СВЯЗАННЫЕ С НИМИ ПРЕДУПРЕЖДЕНИЯ:

- Отдача - это неожиданная реакция инструмента на удар, заклинивание или биение пильного диска, которая выражается в "подпрыгивании" пилы, выходящей из контакта с заготовкой по направлению к оператору;
- Когда пильный диск теряет скорость в результате заклинивания в заготовке, ответная реакция двигателя отбрасывает пилу по направлению к оператору;
- Если пильный диск установлен неправильно, зубья развернуты в противоположную сторону или имеется биение, удар тыльной стороной зуба о заготовку приведет к подпрыгиванию пилы по направлению к оператору.

Отдача является результатом ненадлежащего использования инструмента и/или неправильной работы оператора, и ее можно избежать путем принятия надлежащих мер предосторожности, которые приводятся ниже.

- **Держите инструмент двумя руками так, чтобы вы могли противостоять отдаче. Стойте сбоку от пильного диска, но не на линии пропила.** При отдаче можно сохранить контроль над инструментом, если предпринять соответствующие меры предосторожности.

- В случае, если пильный диск останавливается из-за заклинивания или по какой-либо другой причине, выключите пилу и держите ее неподвижно до полной остановки диска. Никогда не пытайтесь извлечь пилу из заготовки или потянуть пилу назад при вращающемся режущем диске, так как это может привести к отскоку. Обязательно установите и устраните причину заклинивания.
- Перед возобновлением работы установите пилу так, чтобы диск оказался в пропилах, но зубья не касались материала. Если диск будет зажат, пилу может отбросить при включении.
- Предусматривайте дополнительные упоры при работе с крупногабаритными заготовками, чтобы минимизировать риск защемления диска или отдачу. Крупные заготовки как правило прогибаются под своим весом. Упоры должны устанавливаться под заготовкой с обеих сторон от линии реза и рядом с краем заготовки.
- Не используйте тупые или поврежденные пильные диски. В результате использования изношенного диска получается более узкий пропил, что приводит к увеличению трения и повышает вероятность заклинивания.
- Рычаги установки глубины пропила и угла резания должны быть жестко зафиксированы до начала работы. Изменение положения пильного диска во время работы может привести к заклиниванию и отдаче.
- Соблюдайте предельную осторожность при выполнении врезок в существующие стены или другие глухие зоны. Выступающий с другой стороны объекта диск может наткнуться на неожиданное препятствие, что приведет к обратному удару.

ФУНКЦИЯ НИЖНЕГО ЗАЩИТНОГО УСТРОЙСТВА

- Перед началом работы проверьте правильность работы нижнего защитного кожуха. Не начинайте работать, если нижний защитный кожух не движется легко и не закрывается немедленно. Никогда не пытайтесь зафиксировать нижний защитный кожух в открытом положении. При падении пилы нижний защитный кожух может быть поврежден. Перед началом работы проверьте, что кожух движется свободно и не соприкасается с пильным диском независимо от глубины погружения диска или угла его наклона.
- Проверьте правильность работы возвратной пружины нижнего защитного кожуха. В случае неправильной работы, обратитесь в сервисный центр. Причиной медленного срабатывания нижнего защитного кожуха может быть повреждение деталей пилы или отходы производства, скопившиеся под кожухом.
- Нижний защитный кожух можно отводить вручную только при выполнении работ особого вида, таких как "врезка" или выполнения

сложных резов. Удерживайте нижний кожух за рычаг, после того, как лезвие войдет в материал - отпустите защитный кожух. Для всех других видов работ защитный кожух должен действовать автоматически.

- Всегда следите за тем, чтобы нижний защитный кожух был опущен перед тем, как вы положите пилу на верстак или пол. Отсутствие защиты на движущемся пильном диске приведет к тому, что пила начнет "пятиться", при этом диск будет пилить все на своем пути. Не забывайте о времени, которое требуется для полной остановки пильного диска после нажатия клавиши выключения инструмента.

ДОПОЛНИТЕЛЬНЫЕ ПРЕДУПРЕЖДЕНИЯ ПО ТЕХНИКЕ БЕЗОПАСНОСТИ

- Пыль, образуемая при работе с устройством, может причинить вред вашему здоровью, а также быть легковоспламеняющейся и взрывоопасной. Не вдыхайте пыль. Используйте устройство для отсасывания пыли и носите пылезащитную маску. Полностью удалите осевшую пыль, например, с помощью пылесоса.
- Не используйте абразивные круги.
- Не допускайте перегрева зубьев режущего полотна. Не используйте тупые или поврежденные пильные диски. Не увеличивайте скорость работы инструмента.
- Используйте режущие диски только предписанного диаметра!
- Применяйте средства защиты органов слуха.
- Зажимайте обрабатываемое изделие зажимным устройством. Незажатые обрабатываемые изделия могут стать причиной тяжелых травм и повреждений.
- Тщательно проверяйте заготовку, которую вы собираетесь распилить, нет ли в ней посторонних предметов, таких как гвозди, винты, скобы, особенно если это повторно используемая древесина. При контакте гвоздей, винтов, скоб или аналогичных элементов с диском во время распила диск получит повреждение и может нанести серьезную травму оператору или другим лицам.
- Не касайтесь режущего полотна сразу после распиловки. При распиловке режущий диск нагревается.
- Диаметр(-ы) полотна следует подбирать в соответствии с маркировкой.
- Полотно должно соответствовать обрабатываемому материалу.
- Необходимо использовать полотно, маркировка скорости которого совпадает со значением скорости, указанным на инструменте, или превышает его.
- При распиле древесины или аналогичных материалов допускается использование только пильных полотен, рекомендованных производителем в соответствии со стандартом EN 847-1.

- Надевайте пылезащитную маску.
- Температура окружающей среды для эксплуатации инструмента должна быть в диапазоне от 0 °C до 40 °C.
- Температура окружающей среды для хранения инструмента должна быть в диапазоне от 0 °C до 40 °C.
- Рекомендуемая температура окружающей среды для зарядного устройства в процессе зарядки должна быть в диапазоне между 10 °C и 38 °C.

ТРЕБОВАНИЯ БЕЗОПАСНОСТИ ПРИ ИСПОЛЬЗОВАНИИ ДОПОЛНИТЕЛЬНОЙ АККУМУЛЯТОРНОЙ БАТАРЕИ

⚠ ОСТОРОЖНО

Для предотвращения опасности пожара в результате короткого замыкания, травм и повреждения изделия не опускайте инструмент, сменный аккумулятор или зарядное устройство в жидкости и не допускайте попадания жидкостей внутрь устройств или аккумуляторов. Коррозионные и проводящие жидкости, такие как соленый раствор, определенные химикаты, отбеливающие средства или содержащие их продукты, могут привести к короткому замыканию.

- Температура окружающей среды для эксплуатации аккумулятора должна быть в диапазоне от 0 °C до 40 °C.
- Температура окружающей среды для хранения аккумулятора должна быть в диапазоне от 0 °C до 20 °C.

ТРАНСПОРТИРОВКА ЛИТИЕВЫХ БАТАРЕЙ

Транспортируйте аккумуляторную батарею в соответствии с местными и государственными правилами и положениями.

При транспортировке батарей третьей стороной соблюдайте все специальные требования по упаковке и маркировке. Проверьте, чтобы аккумуляторные батареи не вступали в контакт с другими батареями или проводимыми материалами при транспортировке, для этого защитите оголенные разъемы изоляцией, изолирующими колпачками или лентами. Не переносите батареи с повреждениями или утечками. За дальнейшими консультациями обратитесь в транспортно-экспедиционную компанию.

ОСТАТОЧНЫЕ РИСКИ

Даже когда изделие используют согласно инструкциям, невозможно полностью устранить факторы риска. Следующие опасности могут возникнуть во время его использования, и во избежание их рабочей должен обратить особое внимание на следующее:

- Травмы, вызываемые отбрасыванием
 - Внимательно прочитайте и изучите настоящее руководство пользователя.

- Травмы, вызываемые вибрацией
 - Ограничивайте воздействие. См "Снижение Риска".
- Травмы, вызываемые пылью
 - Всегда надевайте защитные очки. Носите респиратор с надлежащими фильтрами, которые могут защитить от пыли, источником которой является обрабатываемый материал и абразивные частицы. Не ешьте, не пейте и не курите в рабочей зоне. Обеспечьте надлежащую вентиляцию на рабочем месте.
- Поражение электрическим током
 - Пильное полотно может задеть скрытую проводку, при этом детали изделия окажутся под напряжением. Держите изделие только за предназначенные для этого ручки и будьте осторожны при пилении стен и полов, где могут быть скрыты кабели.

ПРИМЕЧАНИЕ: При выполнении работ на стенах, потолках или полах следите за тем, чтобы не задеть электрические кабели и газовые или водопроводные трубы.

- Травма от контакта с режущим полотном
 - Режущее полотно будет нагреваться во время использования. Выполняйте замену полотна в перчатках. Не допускайте попадания рук в зону резания. Никогда не поддерживайте отпиливаемый материал. По возможности закрепляйте заготовку.

СНИЖЕНИЕ РИСКА

Сообщалось, что вибрация ручных электроинструментов у отдельных лиц может способствовать состоянию, которое называется синдром Рейно. К симптомам могут относиться покальвание, онемение и побеление пальцев (как при переохлаждении). Считают, что наследственные факторы, охлаждение и влажность, диета, курение и практический опыт способствуют развитию этих симптомов. Ниже приводятся меры, которые может принять оператор для снижения воздействия вибрации:

- Одевайтесь теплее в холодную погоду. При работе с устройством пользуйтесь перчатками, чтобы руки и запястья были в тепле. Считается, что холодная погода является основным фактором, способствующим возникновению болезни Рейно (Raynaud's Syndrome).
- После каждого этапа работы выполните упражнения для усиления кровообращения.
- Чаще делайте перерывы в работе. Сократите длительность ежедневного пребывания на открытом воздухе.

При появлении каких-либо из указанных симптомов сразу же прекратите работу и обратитесь по их поводу к врачу.

⚠ ОСТОРОЖНО

Продолжительное использование инструмента без перерыва может привести к травмам. При использовании инструмента в течение длительного времени делайте регулярные перерывы.

ИЗУЧИТЕ ИЗДЕЛИЕ

Стр 109.

1. Фиксатор планки
2. Ручка регулировки угла наклона
3. Блокировка шпинделя кнопку
4. Передняя ручка, изолированная поверхность захвата
5. Кнопка разблокировки курка
6. Курковый выключатель
7. Гнездо подключения батареи
8. Стык пылеотсасывающей трубы
9. Внутренний фланец
10. Внешний фланец
11. Винт крепления пильного диска
12. Шестигранный гаечный ключ
13. Фиксатор регулировки глубины распила
14. Направляющая линейка планки
15. Лезвие
16. Ручка, изолированная поверхность захвата

ЭКСПЛУАТАЦИЯ

ОСТОРОЖНО

При потере электропитания или другом самопроизвольном выключении машины немедленно переведите клавишу выключателя в положение «ОТКЛЮЧЕНО» и отсоедините вилку от розетки. Если при потере напряжения машина осталась включенной то при возобновлении питания она самопроизвольно заработает, что может привести к телесному повреждению и(или) материальному ущербу.

ТЕХНИЧЕСКОЕ ОБСЛУЖИВАНИЕ

ОСТОРОЖНО

Прибор ни в коем случае не должен подсоединяться к источнику питания, когда вы разбираете его компоненты, выполняете регулировку, очистку, проводите техническое обслуживание, или когда прибор не используется. Отсоединение прибора позволит защитить инструмент от случайного запуска, чреватого серьезными физическими травмами.

- При выполнении технического обслуживания используйте только оригинальные запчасти от производителя. Использование других запчастей может представлять опасность или повредить изделия.
- Избегайте использования растворителей во время чистки пластмассовых частей. Многие пластмассы чувствительны к воздействию различных бытовых растворителей и в результате их использования могут разрушиться. Для снятия грязи, пыли и пр. пользуйтесь чистой тряпкой.
- Никогда не допускайте контакта тормозной жидкости, бензина, продуктов на нефтяной основе, пропиточного масла и т. д. с пластмассовыми

частями. Эти химикаты содержат вещества, которые могут испортить, ослабить или разрушить пластмассу.

- Всегда надевайте предохранительные или защитные очки с боковыми защитными экранами при работе с данным инструментом или сдувании пыли. Если во время работы образуется много пыли, также надевайте пылезащитную маску.
- Для большей безопасности и надежности все ремонтные работы должны выполняться в авторизованном сервисном центре RYOBI.

СМАЗКА

Все подшипники в изделии смазаны достаточным количеством высокосортной смазки для продолжительной эксплуатации изделия в нормальных рабочих условиях. Поэтому дополнительная смазка не требуется.

УСЛОВНЫЕ ОБОЗНАЧЕНИЯ



Сигнал опасности



Постоянный ток



Древесина



Запрещается резать металлы



Применяйте средства защиты органов зрения



Опасно! Острый режущий диск!



Не подвергайте инструмент воздействию дождя



Ширина разреза



Число зубьев



Перед использованием прибора внимательно ознакомьтесь с данной инструкцией.

Утилизация аккумуляторов, электрического и электронного оборудования в месте с несортированными бытовыми отходами не допускается. Сбор аккумуляторов, электрического и электронного оборудования в целях утилизации должен осуществляться отдельно. Перед утилизацией необходимо извлечь из оборудования элементы питания, аккумуляторы и источники света. Уточните порядок утилизации и местонахождения пункта приема у местных властей или поставщика. Ритейлеры могут быть обязаны бесплатно принимать аккумуляторы, электрическое и электронное оборудование на утилизацию в соответствии с местными регламентами. Ваш вклад в повторную переработку аккумуляторов, а также электрического и электронного оборудования позволит сократить потребность в сырье. Аккумуляторы, в частности, содержащие литий, а также электрическое и электронное оборудование содержит ценные и подлежащие повторной переработке материалы, которые в случае ненадлежащей утилизации способны вредить экологии и здоровью людей. Перед утилизацией удалите с оборудования все персональные данные.



Транспортировка:

Категорически не допускается падение и любые механические воздействия на упаковку при транспортировке.

При разгрузке/погрузке не допускается использование любого вида техники, работающей по принципу зажима упаковки.

Хранение:

Необходимо хранить в сухом месте.

Необходимо хранить вдали от источников повышенных температур и воздействия солнечных лучей.

При хранении необходимо избегать резкого перепада температур.

Хранение без упаковки не допускается.

Срок службы изделия:

Срок службы изделия составляет 5 лет.

Не рекомендуется к эксплуатации по истечении 5 лет хранения с даты изготовления без предварительной проверки.

Дата изготовления (код даты) отштампован на поверхности корпуса изделия.

Пример:

W17 Y2015, где Y2015 - год изготовления

W17 – неделя изготовления

Определить месяц изготовления можно согласно приведенной ниже таблице, на примере 2015 года.

Обратите внимание! Количество недель в месяце различается от года в год.

Месяц	Январь	Февраль	Март	Апрель	Май	Июнь	Июль	Август	Сентябрь	Октябрь	Ноябрь	Декабрь	Год
Неделя	01	05	09	14	18	22	27	31	36	40	44	49	2015
	02	06	10	15	19	23	28	32	37	41	45	50	
	03	07	11	16	20	24	29	33	38	42	46	51	
	04	08	12	17	21	25	30	34	39	43	47	52	
	05	09	13	18	22	26	31	35	40	44	48	53	
			14			27							

Najwyższymi priorytetami w trakcie projektowania zakupionej przez Państwa pilarki tarczowej były bezpieczeństwo, wydajność i niezawodność.

PRZEZNACZENIE

Opisywana pilarka tarczowa przeznaczona jest do stosowania wyłącznie przez osoby dorosłe, które zapoznały się z instrukcjami i ostrzeżeniami zawartymi w niniejszym dokumencie oraz zrozumiały je, a także mogą być uważane za odpowiedzialne za swoje postępowanie.

Produkt przeznaczony jest do cięcia drewna wzdłuż i w poprzek włókien na maksymalną głębokość 45 mm. Produkt może wykonywać cięcia proste lub ukośne w zakresie od 0 do 50 stopni. Należy je stosować tak, by jego podstawa pozostawała w kontakcie z obrabianym przedmiotem. Narzędzie należy stosować wyłącznie w miejscach suchych i należyście oświetlonych oraz wentylowanych.

Ten produkt przeznaczony jest do trzymania w dłoni. Tego produktu nie należy montować na stole warsztatowym, chyba że producent piły przekazał szczegółowe instrukcje dotyczące sposobu postępowania w tym zakresie. Nie należy używać do cięcia elementów metalowych ani betonowych.

Nie należy używać tego produktu niezgodnie z przeznaczeniem. Używanie narzędzi w sposób niezgodny z ich przeznaczeniem jest niebezpieczne.

⚠ OSTRZEŻENIE

Prosimy o uważne zapoznanie się z ostrzeżeniami, instrukcjami i specyfikacjami dostarczonymi z tym narzędziem oraz z zawartymi w nich ilustracjami. Nie przestrzeganie przedstawionych niżej zaleceń mogłoby pociągnąć za sobą wypadki takie jak pożary, porażenia prądem elektrycznym i /lub poważne obrażenia ciała.

Zachowaj wszystkie ostrzeżenia i instrukcje do wykorzystania w przyszłości.

OSTRZEŻENIA DOTYCZĄCE BEZPIECZEŃSTWA PRACY Z PILARKĄ TARCZOWĄ

PROCEDURY CIĘCIA

⚠ NIEBEZPIECZEŃSTWO

Trzymać dłonie z dala od miejsca cięcia i tarczy tnącej. Ręka, która nie trzyma głównego uchwyty narzędzia, powinna trzymać uchwyt pomocniczy lub opierać się na obudowie silnika. W ten sposób wasze ręce nie znajdują się w strefie cięcia, na torze tarczy.

- Nie sięgać pod obrabiany przedmiot. W tym miejscu osłona tarczy nie może Was chronić, gdyż nie pokrywa tarczy.
- Wyregulujcie głębokość cięcia w zależności od grubości obrabianego przedmiotu. Zęby tarczy nie powinny wystawać całkowicie pod obrabianym przedmiotem podczas cięcia.

- **NIGDY nie trzymajcie obrabianego przedmiotu ręką czy między nogami. Przymocujcie obrabiany przedmiot do stabilnego wspornika.** Najważniejsze jest należyte zamocowanie przedmiotu do obróbki, tak by uniknąć wszelkiego ryzyka zranienia, nie należy zginać tarczy by nie utracić kontroli nad narzędziem.
- **Kiedy pracujecie na powierzchni mogącej skrywać przewody elektryczne, lub gdy podczas pracy przewód zasilający może być na trasie cięcia, trzymajcie narzędzie wyłącznie za izolowane i nieśliskie części.** Zetknięcie z przewodem pod napięciem spowoduje, że wszystkie metalowe części elektronarzędzia będą również pod napięciem, co w rezultacie spowoduje porażenie prądem operatora.
- **Urządzenie elektryczne należy trzymać za izolowany uchwyt, gdy zachodzi ryzyko przewiercenia przewodu pod napięciem.** Wtedy precyzja cięcia ulepszy się i unikniecie ryzyka zgięcia tarczy.
- **Używajcie zawsze tarcz o wymiarze i kształcie dostosowanym do otworu mocującego wrzeciono.** Tarcze tnące nie dostosowane do wrzeciona, na którym mają być zamontowane nie będą się należyście obracały i mogą spowodować utratę kontroli nad narzędziem.
- **Nigdy nie używajcie śrub czy kołnierzy tarcz, które są zdefektowane lub niedostosowane.** Śruby i kołnierze tarcz zostały zaprojektowane specjalnie do waszego modelu pilarki z myślą o optymalnym bezpieczeństwie i osiągnięciu.

PRZYCZYNY ODRZUTU I POWIĄZANE OSTRZEŻENIA:

- Odbicie jest nagłą reakcją występującą podczas zablokowania tarczy, jej wygięcia czy złego wyrównania; pilarka uwalnia się nagle z obrabianego przedmiotu i cofa się gwałtownie w kierunku użytkownika.
- Kiedy tarcza zostanie zablokowana w drewnie, przestaje się ona obracać a silnik dalej się obraca i odrzuca pilarkę w kierunku odwrotnym do kierunku obrotów tarczy, to znaczy w stronę użytkownika.
- Kiedy tarcza się wygina lub jest źle zrównana, zęby znajdujące się z tyłu tarczy mogą się zagłębić w drewnie, co spowoduje gwałtowny odrzut tarczy z obrabianego przedmiotu w kierunku użytkownika.

Odbicie jest wynikiem złego użycia narzędzia i /lub niepoprawnego sposobu lub warunków cięcia. Można go uniknąć podejmując środki ostrożności.

- **Należy mocno trzymać pilarkę dwoma rękami i ustawić ramiona tarczy, by móc kontrolować ewentualne odbicie.** Trzymajcie się zawsze z boku pilarki, kiedy jej używacie nigdy nie stawajcie w linii cięcia tarczy. Odbicie wyrzuca nagle pilarkę do tyłu, ale może być kontrolowane, jeżeli użytkownik to przewiduje i jest na to przygotowany.
- **Jeżeli tarcza się zaklinuje, lub musicie z jakiegś przyczyny przerwać cięcie, zwolnijcie spust i trzymajcie pilarkę w obrabianym przedmiocie do czasu aż tarcza zupełnie przestanie się obracać. Nie wolno próbować wyciągać piły z obrabianego materiału,**

- podczas gdy tarcza tnąca jeszcze się obraca; grozi to wystąpieniem zjawiska odrzutu. Kiedy tarcza się klinuje, szukajcie przyczyny i podejmijcie środki zapobiegawcze, by to się nie powtórzyło.
- **Przed ponownym uruchomieniem pilarki do ponownego cięcia, zrównajcie należycie tarczę z nacięciem piły i sprawdźcie czy zęby nie dotykają przedmiotu do obróbki.** Jeżeli tarcza się zaklinuje w obrabianym przedmiocie, zachodzi ryzyko odbicia podczas uruchomienia pilarki.
- **W celu zmniejszenia ryzyka zaklinowania tarczy lub odbicia, dopilnujcie by długie elementy były podparte.** Długie elementy do obróbki mają skłonność do uginania się pod własnym ciężarem. Możecie ustawić wsporniki po obu stronach przedmiotu do obróbki, blisko linii cięcia i na końcu przedmiotu.
- **Nie używajcie uszkodzonych lub stępionych tarcz.** Tarcze nienaostrome lub źle zamontowane będądawały cięcie powodujące nadmierne tarcie tarczy i zwiększenie ryzyka wygięcia czy odbicia.
- **Przed rozpoczęciem cięcia, sprawdźcie czy przyciski regulacji głębokości cięcia i nachylenia są należycie zablokowane.** Jeżeli ustawienia pozycji tarczy zmienią się podczas cięcia, tarcza może się zaklinować i może nastąpić odbicie.
- **Należy zachować szczególną ostrożność w przypadku cięcia istniejących ścian lub innych konstrukcji nieprzelotowych.** Tarcza mogłaby uderzyć o ukryte przedmioty, co doprowadziłoby do odbicia.

DZIAŁANIE DOLNEJ OSŁONY

- **Przed każdym użyciem, należy sprawdzić czy wewnętrzna osłona tarczy, należycie zakrywa tarczę. Nie używajcie waszej pilarki, jeżeli wewnętrzna osłona tarczy nie może być swobodnie uruchomiona i jeżeli nie opada natychmiast na tarczę. Nie należy mocować czy przyczepiać dolnej osłony tarczy w pozycji otwartej.** Gdyby pilarka przypadkowo spadła, wewnętrzna osłona tarczy mogłaby się zgiąć. Podnieście do góry dolną osłonę tarczy przy pomocy dźwigni i upewnijcie się, że można ją z łatwością manipulować i że nie dotyka ona ani tarczy ani żadnej innej części, bez względu na wybrany kąt i głębokość cięcia.
- **Upewnijcie się czy sprężyna wewnętrznej osłony tarczy jest poprawnie zainstalowana i czy jest w stanie sprawnym do działania. Jeżeli osłona tarczy i sprężyna nie funkcjonują sprawnie, oddajcie je do naprawy lub wymiay przed użyciem pilarki.** Pracę osłony dolnej może utrudniać kleisty osad, zanieczyszczenia lub uszkodzone elementy.
- **Oslonę dolną można wycofywać ręcznie wyłącznie w szczególnych przypadkach, jak np. do wykonania „cięcia wgłębego” lub „cięć złożonych”.** Podnieście wewnętrzną osłonę tarczy przy pomocy dźwigni. Następnie, gdy tylko tarcza wejdzie w obrabiany przedmiot, puśćcie wewnętrzną osłonę tarczy. Do innych rodzajów cięcia, wewnętrzna osłona tarczy umieszcawia się automatycznie.

- **Przed położeniem waszej pilarki na stoliku warsztatowym czy na ziemi, należy sprawdzić czy wewnętrzna osłona tarczy, należycie zakrywa tarczę.** Jeżeli tarcza nie jest należycie zakryta, może się obracać bezwładnościowo i ciąć to co znajduje się w jej torze cięcia. Zdajcie sobie sprawę z faktu, że tarcza obraca się jeszcze przez pewien czas po wyłączeniu silnika.

ODDATKOWE OSTRZEŻENIA BEZPIECZEŃSTWA

- **Pył powstający podczas korzystania z produktu może być szkodliwy dla zdrowia, łatwopalny lub wybuchowy. Nie wdychać kurzu.** Należy stosować instalację odpylania oraz nosić odpowiednią maskę przeciwpyłową. Usuń dokładnie pył, np. odkurzaczem.
- **Nigdy nie używajcie tarczy ściерnej.**
- **Unikaj przegrzewania końcówek ostrza. Nie używajcie uszkodzonych lub stępionych tarcz.** Nie używajcie siły podczas obsługi narzędzia.
- **Nie używajcie ostrzy o większej lub mniejszej średnicy od zalecanej średnicy ostrza.**
- Stosować środki ochrony słuchu.
- **Obrabiany element należy zamocować za pomocą zacisku.** Niezabezpieczone elementy mogą spowodować poważne obrażenia ciała i uszkodzenia.
- **Należy dokładnie sprawdzić materiał, który ma być cięty, szczególnie w przypadku cięcia wcześniej używanego drewna; należy sprawdzić, czy nie ma obcych elementów, takich jak gwoździe, śruby lub spinacze.** Jeśli gwoździe, śruby, spinacze lub podobne elementy zetkną się z ostrzem podczas cięcia, pilarka może ulec uszkodzeniu, powodując poważne obrażenia ciała operatora lub innych osób.
- **Nie dotykajcie tarczy tnącej bezpośrednio po zakończeniu cięcia.** Tarcza tnąca nagrzewa się podczas cięcia.
- Stosować wyłącznie tarcze o średnicy(-ach) zgodnej(-ych) z oznaczeniami.
- Zidentyfikować prawidłową tarczę tnącą dopasowaną do przeznaczonego do cięcia materiału.
- Stosować wyłącznie tarcze, na których podano prędkość co najmniej równą prędkości podanej na narzędziu.
- Stosować wyłącznie tarcze zalecane przez producenta, które spełniają wymagania normy EN 847-1, o ile są przeznaczone do drewna i podobnych materiałów.
- Noś maskę przeciwpyłową.
- Zakres temperatury otoczenia dla narzędzia podczas eksploatacji to od 0 °C do 40 °C.
- Zakres temperatury otoczenia dla narzędzia podczas przechowywania to od 0 °C do 40 °C.
- Zalecany zakres temperatury otoczenia dla układu ładującego podczas ładowania to od 10 °C do 38 °C.

AKUMULATOR — DODATKOWE OSTRZEŻENIA DOTYCZĄCE BEZPIECZEŃSTWA

⚠ OSTRZEŻENIE

Aby uniknąć niebezpieczeństwa pożaru, obrażeń lub uszkodzeń produktu na skutek zwarcia, nie wolno zanurzać narzędzia, akumulatora wymiennego ani ładowarki w cieczach i należy zatroszczyć się o to, aby do urządzeń i akumulatorów nie dostały się żadne ciecze. Zwarcie spowodować mogą korodujące lub przewodzące ciecze, takie jak woda morską, określone chemikalia i wybielacze lub produkty zawierające wybielacze.

- Zakres temperatury otoczenia dla akumulatora podczas eksploatacji to od 0 °C do 40 °C.
- Zakres temperatury otoczenia dla akumulatora podczas przechowywania to od 0 °C do 20 °C.

TRANSPORTOWANIE AKUMULATORÓW LITOWYCH

Akumulatory należy transportować zgodnie z lokalnymi i krajowymi przepisami i regulacjami.

Należy postępować zgodnie z wszystkimi specjalnymi wymaganiami dotyczącymi pakowania i etykietowania akumulatorów podczas transportu przez stronę trzecią. Upewnij się, że żadne akumulatory nie zetkną się z innymi akumulatorami lub materiałami przewodzącymi podczas transportu. W tym celu należy zabezpieczyć odkryte złącza nieprzewodzącymi nakładkami izolacyjnymi lub taśmą izolacyjną. Nie należy transportować pękniętych ani nieszczelnych akumulatorów. Szczegółowe porady można uzyskać w firmie spedycyjnej.

RYZYKO ZWIĄZANE Z UŻYTKOWANIEM

Nawet jeśli produkt jest używany zgodnie z zaleceniami, nadal nie jest możliwe wyeliminowanie określonych czynników ryzyka. Następujące zagrożenia mogą wystąpić podczas używania urządzenia i operator powinien zwracać szczególną uwagę na poniższe punkty:

- Urazy ciała spowodowane przez odskok
 - Należy ze zrozumieniem przeczytać informacje zawarte w niniejszej instrukcji.
- Urazy ciała spowodowane przez wibracje
 - Ograniczyć narażenie na kontakt. Patrz "Ograniczenie Ryzyka".
- Urazy ciała spowodowane pyłem
 - Zawsze nosić okulary ochronne. Należy nosić odpowiednią maskę przeciwpyłową z odpowiednimi filtrami, chroniącą przed pyłem z obrabianego materiału. Nie jeść, nie pić i nie palić w miejscu pracy. Należy zapewnić odpowiednią wentylację miejsca pracy.
- Porażenie prądem elektrycznym
 - Ostrze może zetknąć się z ukrytymi przewodami, w rezultacie czego części produktu będą pod napięciem. Produkt zawsze należy trzymać za odpowiednie uchwyty i należy zachować ostrożność

w przypadku cięcia otworów w ścianach i podłogach, gdzie mogą przebiegać kable.

UWAGA: Przy wykonywaniu prac na ścianach, sufitach lub podłogach należy unikać kontaktu z przewodami elektrycznymi oraz rurami gazowymi i wodnymi.

- Urazy ciała spowodowane kontaktem z ostrzem
 - Ostrza są bardzo ostre i podczas pracy są gorące. Podczas wymiany ostrzy należy nosić rękawice. Przez cały czas należy trzymać ręce z dala od obszaru cięcia. NIGDY nie trzymajcie obrabianego przedmiotu ręką czy między nogami. Jeśli to możliwe, należy unieruchomić obrabiany materiał.

OGRANICZENIE RYZYKA

Znane są przypadki wywołania u niektórych osób objawu Raynauda spowodowanego wibracjami ręcznych narzędzi. Typowe objawy to mrowienie, drętwienie i blednięcie palców, widoczne zwykle po wystawieniu na działanie zimna. Uważa się, że czynniki dziedziczne, wystawienie na działanie zimna i wilgoci, dieta, palenie papierosów i przyjęte zwyczaje przyczyniają się do rozwoju tych objawów. Istnieją środki zaradcze, które może podjąć operator narzędzia, aby zmniejszyć efekt wibracji:

- Zadbaj w niskich temperaturach o ciepłość własnego ciała, zakładając odpowiednie ubranie. Podczas obsługi urządzenia należy nosić rękawice, aby dłonie i nadgarstki były ciepłe. Wiadomo, że niskie temperatury są główną przyczyną powstawania objawu Raynauda.
- Podczas przerw w pracy należy wykonywać ćwiczenia poprawiające krążenie krwi..
- Podczas pracy robić częste przerwy. Ograniczyć ekspozycję w ciągu dnia.

W razie doświadczenia dowolnego z wymienionych objawów, należy niezwłocznie zaprzestać użytkowania tego urządzenia i skontaktować się z lekarzem.

⚠ OSTRZEŻENIE

Długotrwale użytkowanie narzędzia może spowodować obrażenia ciała lub nasilić dolegliwości zdrowotne. W przypadku używania narzędzia przed dłuższy czas należy pamiętać o regularnych przerwach.

INFORMACJE O PRODUKCJI

Patrz strona 109.

1. Pokrętko prowadnicy kątowej
2. Pokrętko regulacji kąta nachylenia
3. Przycisk blokady wrzeciona
4. Uchwyt przedni, izolowana powierzchnia chwytna
5. Przycisk odblokowania spustu przepustnicy
6. Przycisk uruchamiający
7. Gniazdo akumulatora
8. Złącze rury pyłowej
9. Kołnierz wewnętrzny
10. Kołnierz zewnętrzny
11. Śruba tarczy
12. Klucz do śrub sześciokątnych

13. Dźwignia blokady regulacji głębokości
14. Ogranicznik przewodnicy kątowej
15. Tarcza
16. Uchwyt, izolowana powierzchnia chwytana

KONSERWACJA

⚠ OSTRZEŻENIE

Produkt nigdy nie może być podłączony do źródła zasilania podczas montażu części, regulacji, czyszczenia, konserwacji lub gdy nie jest używany. Odłączenie produktu zapobiegnie przypadkowemu uruchomieniu, które mogłoby spowodować poważne obrażenia ciała.

- Do serwisowania należy stosować wyłącznie oryginalne części zamienne producenta. Użycie jakiegokolwiek innej części mogłoby spowodować zagrożenie lub też uszkodzić wasze narzędzie.
- Nie stosować rozpuszczalników do czyszczenia elementów plastikowych. Większość tworzyw sztucznych, mogłoby zostać uszkodzone przez użycie rozpuszczalników dostępnych w sprzedaży. Używajcie czystej szmatki do mycia zabrudzeń, pyłu, itd.
- Nie wolno dopuścić do kontaktu plastikowych części z płynem hamulcowym, benzyną, produktami ropopochodnymi, olejami penetrującymi itp. Substancje te zawierają produkty chemiczne, które mogłyby uszkodzić, osłabić lub zniszczyć plastik.
- Podczas użytkowania elektronarzędzi lub wydmuchiwanie pyłu należy zawsze nosić okulary ochronne z osłonami bocznymi. Jeśli wykonywanej pracy towarzyszy powstawanie pyłu, należy również stosować maskę przeciwpyłową.
- Dla większego bezpieczeństwa i lepszej pewności, wszystkie naprawy powinny być wykonywane w Autoryzowanym Punkcie Serwisowym RYOBI.

SMAROWANIE

Wszystkie łożyska produktu są smarowane przy użyciu odpowiedniej ilości wysokiej jakości smaru na cały okres eksploatacji produktu przy uwzględnieniu normalnych warunków roboczych. W wyniku czego, nie zachodzi potrzeba dodatkowego smarowania.

SYMBOLE



Uwaga dotycząca bezpieczeństwa



Prąd stały



Drewno



Nie ciąć metali



Stosować środki ochrony wzroku



Niebezpieczeństwo! Tarcza tnąca powinna być ostra.



Nie narażaj na działanie deszczu



Szerokość cięcia



Liczba zębów tarczy



Przed uruchomieniem urządzenia prosimy uważnie przeczytać instrukcję



Zużytego sprzętu elektrycznego i elektronicznego, w tym zużytych baterii i akumulatorów, nie należy wyrzucać jako nieposortowanych odpadów komunalnych. Zużyty sprzęt elektryczny i elektroniczny, w tym zużyte baterie i akumulatory, musi być gromadzony osobno. Zużyte baterie, akumulatory i źródła światła muszą zostać usunięte ze sprzętu. Skontaktować się z lokalnymi władzami lub sprzedawcą detalicznym w celu uzyskania porad dotyczących recyklingu i punktu zbiórki odpadów. Zgodnie z lokalnymi przepisami sprzedawcy detaliczni mogą być zobowiązani do nieodpłatnego odbioru zużytego sprzętu elektrycznego i elektronicznego, w tym baterii i akumulatorów. Państwa wkład w ponowne wykorzystanie i recykling zużytego sprzętu elektrycznego i elektronicznego, w tym baterii i akumulatorów, pomaga zmniejszyć zapotrzebowanie na surowce. Zużyte baterie i akumulatory — w szczególności zawierające lit — a także pozostały sprzęt elektryczny i elektroniczny, zawierają nadające się do recyklingu i cenne materiały i surowce, które mogą mieć negatywny wpływ na środowisko naturalne i zdrowie ludzkie, jeśli nie są usuwane w sposób przyjazny dla środowiska naturalnego. Z utylizowanego sprzętu należy usunąć wszelkie ewentualne dane osobowe.

Při návrhu kotoučové pily byl kladen obzvláštní důraz na bezpečnost, výkon a spolehlivost.

ZAMÝŠLENÉ POUŽITÍ

Kotoučovou pilu smí používat pouze dospělé osoby, které si přečetly a řádně pochopily pokyny a varování v tomto návodu, a mohou být považovány za zodpovědné za své činy.

Produkt je určen pro podélné příčné řezání dřeva nebo podobných materiálů do maximální hloubky 45 mm. Produkt může provádět rovné nebo zkosené řezy v rozpětí 0 a 50 stupňů. Je určena k používání se základnou nástroje, k níž přiléhá obrobek. Pilu je vhodné používat v suchých, dobře osvětlených a ventilovaných prostorách.

Toto nářadí je určeno k ručnímu používání. Pokud výrobce pily neposkytuje konkrétní pokyny k takovému postupu, není nástroj určen k montáži na pracovní stůl. Nepoužívejte pro řezání kovu ani zdva.

Nepoužívejte výrobek jinak než je uvedeno v určeném použití. Použití elektricky poháněného nástroje pro práce jiné, než zamýšlené by mohlo mít za následek nebezpečnou situaci.

VAROVÁNÍ

Přečtěte si pozorně upozornění, pokyny a technické specifikace dodané s nářadím a prohlédněte si ilustrace. Nedodržení uvedených pokynů může způsobit požár, úraz elektrickým proudem a/nebo jiné vážné zranění.

Ušchovejte si všechny pokyny a varování pro budoucí nahlédnutí.

BEZPEČNOSTNÍ UPOZORNĚNÍ KE KOTOUČOVÉ PILE

POSTUP PŘI ŘEZÁNÍ

NEBEZPEČÍ

Udržujte ruce mimo oblast řezání a kotouč. Jednou rukou držte hlavní rukojeť a druhou rukou přidavnou rukojeť nebo ruku položte na kryt motoru. Tak se nemůže stát, že se vaše ruce dostanou do dráhy řezu nebo do dráhy pilového kotouče.

- **Nesahejte pod obrobek.** V tomto místě ochranný kryt kotouče neposkytuje ochranu, neboť nezakrývá kotouč.
- **Nastavte hloubku řezu podle síly řezaného materiálu.** Zuby pilového kotouče se při řezání nesmí zcela dostat pod úroveň řezaného materiálu.
- **Opracovávaný kus NIKDY nepřidržíte rukou v oblasti řezu a ani jej nadržte mezi nohama.** Upevněte řezaný materiál do stabilního držáku. Řádné upevnění řezaného dílu je základním předpokladem bezpečného řezání. Správné upevnění zamezuje ohýbání pilového kotouče. Navíc budete mít nářadí pod kontrolou.
- **Držte elektricky poháněný nástroj za izolované úchopové plochy, když nástroj používáte s vrtacím**

příslušenstvím, které může přijít do styku se skrytými vodiči. Kontakt s "živými" vodičem způsobí, že kovové části elektrického nástroje se stanou také "živými" a způsobí obsluhu elektrický úraz.

- **Při provádění přímého (paralelního) řezu použijte vodičko nebo vodičí lištu.** Zvýší se přesnost řezu a omezí se riziko ohýbání kotouče.
- **Vždy používejte kotouč odpovídající velikosti a tvaru s vhodným upínacím průměrem.** Pilové kotouče s nesprávným upínacím průměrem se nebudou správně otáčet na hřídeli. Navíc existuje riziko, že ztratíte kontrolu nad nářadím.
- **Nikdy nepoužívejte poškozené nebo nevhodné šrouby a příruby.** Příruby a šrouby jsou specifické pro váš model pily a jsou zárukou bezpečnosti nářadí a optimálního výkonu.

ZPĚTNÝ VRH A SOUVISEJÍCÍ VAROVÁNÍ:

- Zpětný vrh nářadí je prudká reakce pily, ke které může dojít, pokud se pilový kotouč zablokuje, ohne nebo je špatně srovnaný; pila náhle "vyskočí" z řezaného dílu a vymršť se směrem k uživateli.
- Jakmile pilový kotouč uvízne ve dřevě, přestane se otáčet, motor stále běží a následkem toho dojde k vymrštní pily opačným směrem než je pohyb pilového kotouče, tzn. směrem k uživateli.
- Pokud se pilový kotouč ohne nebo není v zákrytu, zuby v zadní části pilového kotouče se mohou zabořit do dřeva. Tím se pilový kotouč vymršť směrem k uživateli.

Zpětný vrh je tudíž způsoben nesprávným používáním nářadí a/nebo nevhodným postupem při řezání, případně nevhodnými podmínkami řezání. Zpětnému vrhu - vymrštní nářadí lze předcházet dodržováním několika základních opatření.

- **Držte pevně nářadí oběma rukama a paže mějte v takové poloze, abyste mohli zabránit případnému vymrštní nářadí. Při řezání stůjte po straně pily, nikdy v ose dráhy pilového kotouče.** Při zpětném vrhu dojde k náhlému vymrštní pily dozadu směrem k uživateli, ovšem tento pohyb lze kontrolovat, pokud si je uživatel nebezpečí vědom a je na něj připraven.
- **Pokud dojde k zablokování kotouče v řezaném materiálu, dejte prst ze spouštěče a ponechte pilový kotouč v řezaném materiálu, dokud se nepřestane točit. Nikdy se nepokoušejte pilu odtáhnout od obrobku nebo táhnout pilu zpět, když je kotouč v pohybu nebo nastane zpětný vrh.** Pokud pilový kotouč uvízne v řezaném materiálu, pokuste se nalézt příčinu a proveďte nápravu, aby k zablokování kotouče již nemohlo dojít.
- **Než znovu uvedete pilu do provozu a budete pokračovat v řezu, srovnejte pilový kotouč přesně s dráhou řezu a zkontrolujte, zda se zuby pilového kotouče nedotýkají řezaného materiálu.** Pokud je pilový kotouč zablokovaný v řezaném materiálu, při spuštění pily by mohlo dojít k jejímu vymrštní směrem k uživateli.
- **Při řezání dlouhých dílů je nutné používat podpěru, aby pilový kotouč neměl sklony v materiálu blokovat.**

Tím se omezí nebezpečí vymrštění pily. Dlouhé díly mají tendenci se prohýbat v důsledku své vlastní váhy. Dlouhé díly můžete podepřít z obou stran, v blízkosti dráhy řezu a na konci řezaného dílu.

- **Nepoužívejte poškozené nebo tupé pilové kotouče.** Tupé nebo nesprávně nasazené pilové kotouče jsou zdrojem tření, které zvyšuje riziko ohnutí kotouče a jeho vymrštění z řezaného materiálu.
- **Než začnete řezat, zkontrolujte, zda jsou knoflík pro blokování řezné hloubky a knoflík pro nastavení naklonění řádně utaženy.** Pokud by v průběhu řezání došlo ke změně polohy pilového kotouče, pilový kotouč by se mohl zablokovat v řezaném materiálu a způsobit zpětný vrh.
- **Buďte velmi opatrní, když řežete do zdi nebo jiných slepých oblastí.** Pilový kotouč by mohl narazit na skryté předměty a mohlo by dojít k vymrštění kotouče směrem na uživatele.

FUNKCE SPODNÍHO KRYTU

- **Před každým použitím pily zkontrolujte, zda dolní ochranný kryt správně překrývá pilový kotouč. Kotoučovou pilu nepoužívejte, pokud kryt pilového kotouče nelze snadno ovládat nebo jím nelze volně pohybovat. Nikdy neblokujte dolní kryt pilového kotouče v otevřené poloze.** Pokud by došlo k nechtěnému pádu pily, dolní kryt pilového kotouče by se mohl ohnout. Zdvihněte dolní kryt pilového kotouče pomocí páčky a zkontrolujte, zda lze ochranným krytem snadno pohybovat, zda se nedotýká pilového kotouče ani žádného jiného dílu pily, bez ohledu na nastavenou hloubku a úhel řezu.
- **Zkontrolujte, zda je v dobrém stavu pružina dolního ochranného krytu. Pokud ochranný kryt nebo pružina nepracují správně, nechte je opravit nebo vyměnit, než začnete s pilou pracovat.** Spodní kryt může fungovat liknavě z důvodu poškození dílů, lepivých usazenin nebo nahromaděné nečistot.
- **Spodní kryt se ručně může zasouvat pouze pro speciální řezy, například „zanořovací řezy“ a „kombinované řezy“.** Dolní ochranný kryt zvedněte pomocí páčky. Jakmile se pilový kotouč dostane do záběru s řezaným dílem, pusťte dolní ochranný kryt. U všech ostatních typů řezů se dolní ochranný kryt sklopí automaticky.
- **Než postavíte pilu na pracovní stůl nebo na zem, zkontrolujte vždy, zda dolní ochranný kryt zakrývá pilový kotouč.** Pokud pilový kotouč není správně chráněn krytem, může se otáčet na základě setrvačnosti a přefíznot vše, co se nachází v dráze řezu. Při řezání nezapomeňte, že po vypnutí motoru se pilový kotouč ještě chvíli otáčí.

DOPLŇJÍCÍ BEZPEČNOSTNÍ VAROVÁNÍ

- **Prach vznikající při práci s nástrojem bývá zdraví škodlivý, hořlavý nebo výbušný. Nevdechujte prach.** Použijte systém absorpce prachu a noste vhodný respirátor. Řádně odstraňujte usazený prach, např. vysavačem.

- **Nepoužívejte brusný kotouč.**
- **Zabraňte přehřátí špiček nože. Nepoužívejte poškozené nebo tupé pilové kotouče.** Nepoužívejte nadměrnou sílu na nástroj.
- **Nepoužívejte kotouče o menším či větším průměru, než doporučeném.**
- Noste ochranu sluchu.
- **Upínadlo obrobku s upínacím zařízením.** Neupnuté obrobky mohou způsobit vážné zranění nebo škody na majetku.
- **Vždy zajistěte důkladnou kontrolu materiálu, který budete řezat, zejména při použití recyklovaného dřeva, na cizí předměty, jako jsou hřebíky, šrouby a spony.** Pokud hřebíky, šrouby, spony nebo podobné předměty zasáhne kotouč při řezání, pila se může poškodit a vážně poranit obsluhu nebo způsobit jiné potíže.
- **Nedotýkejte se řezného kotouče ihned po řezání.** Pilový kotouč se během používání zahřívá.
- Používejte průměr pilových kotoučů podle označení.
- Vybte správný pilový kotouč pro řezaný materiál.
- Používejte pouze pilové kotouče s označením otáček stejných nebo vyšších než je označení otáček pily.
- Pokud chcete produkt používat na dřevo a podobné materiály, používejte pouze pilové kotouče doporučené výrobcem, které odpovídají normě EN 847-1.
- Noste respirátor.
- Rozsah teplot okolí při používání nástroje je od 0 °C do 40 °C.
- Rozsah teplot okolí při skladování nástroje je od 0 °C do 40 °C.
- Rozsah doporučených teplot okolí při používání systému nabíjení akumulátoru je od 10 °C do 38 °C.

DOPLŇJÍCÍ BEZPEČNOSTNÍ UPOZORNĚNÍ K BATERII

⚠ VAROVÁNÍ

Abyste zabránili nebezpečí požáru způsobeného zkratem, poraněním nebo poškozením výrobku, neponořujte nářadí, výměnnou baterii nebo nabíječku do kapalín a zajistěte, aby do zařízení a akumulátorů nevnikly žádné tekutiny. Korodující nebo vodivé kapaliny, jako je slaná voda, určité chemikálie a bělicí prostředky nebo výrobky, které obsahují bělidlo, mohou způsobit zkrat.

- Rozsah provozních teplot okolí akumulátoru je od 0 °C do 40 °C.
- Rozsah skladovacích teplot okolí akumulátoru je od 0 °C do 20 °C.

TRANSPORT LITHIOVÝCH BATERIÍ

Přenos baterie dle místních a národních opatření a předpisů. Dodržujte všechny zvláštní požadavky na balení a značení při transportu baterií třetí stranou. Zajistěte, aby žádné baterie nepřišly do kontaktu s jinými bateriemi nebo vodivými

materiály při transportu pomocí ochrany nekrytých kontaktů prostřednictvím izolace, nevodivých krytek či lepicích pásek. Nepřepravujte prasklé nebo baterie s unikajícím elektrolytem. Ptejte se u zásilkové společnosti na další radu.

ZBYTKOVÁ RIZIKA

Dokonce, i když se výrobek provozuje jak je předepsáno, je stále nemožné zcela eliminovat veškeré zbytkové rizikové faktory. Následující nebezpečí mohou nastat při používání; vyhněte se:

- Poranění způsobené zpětným rázem
 - Přečtěte si informace v této příručce a ujistěte se, že jste jim porozuměli.
- Poranění způsobené vibracemi
 - Limit expozice. Viz "Snížování Rizik".
- Zranění způsobené prachem
 - Vždy noste ochranu očí. Používejte vhodnou masku proti prachu s vhodnými filtry, které mohou chránit proti prachu z materiálu. V pracovní oblasti výrobku nejíst, nepít, ani nekouřit. Zajistit dostatečné větrání pracoviště.
- Úraz el. proudem
 - Kotouč se může dotknout skrytého elektrického vedení, což může způsobit, že část výrobku se stane živou. Vždy držte produkt za určené rukojeti a dejte pozor při řezání naslepo do stěn a podlah, kde mohou být skryty kabely.

POZNÁMKA: Při práci na stěnách, stropích nebo podlahách buďte opatrní a vyhněte se elektrickým kabelům a plynovému nebo vodnímu potrubí.

- Zranění z kontaktu s řezným kotoučem
 - Kotouče jsou velmi ostré a během používání se zahřívají. Při výměně kotouče noste ochranné rukavice. Udržujte vždy ruce v bezpečné vzdálenosti od řezného prostoru. Opracovávaný kus NIKDY nepřidržíte rukou v oblasti řezu a ani jej nedržte mezi nohama. Upínejte obrobek kdykoli je to možné.

SNÍŽENÍ RIZIKA

Bylo zjištěno, že vibrace z nástrojů mohou u některých osob přispívat ke stavu tzv Raynaud's Syndrome (Raynaudovu syndromu). Mezi jeho příznaky patří brnění, necitlivost a zbělení prstů, patrně obvykle po pobytu v chladu. Vědci se domnívají, že k rozvinutí těchto příznaků přispívají dědičné faktory, pobyt v chladu a vlhku, strava, kouření a pracovní návyky. Uživatel může omezit případné působení vibrací použitím vhodných opatření:

- Za chladného počasí se teple oblečte. Při práci s nástrojem si navlékněte rukavice, abyste udrželi ruce a zápěstí v teple. Bylo zjištěno, že chladné počasí je hlavním faktorem přispívajícím k Raynaud's Syndrome (Raynaudovu syndromu).
- Během práce si v pravidelných intervalech zacvičte, abyste zvýšili krevní oběh.
- Zařazujte časté pracovní přestávky. Omezte dobu práce za den.

Jakmile pocítíte některý z výše uvedených příznaků tohoto syndromu, okamžitě přerušete práci a vyhledejte lékaře.

VAROVÁNÍ

Poranění mohou být způsobena, či zhoršena, prodlouženým používáním nástroje. Když používáte jakýkoliv nástroj delší dobu, dělejte pravidelné přestávky.

SEZNAMTE SE S VÝROBKEM

Viz strana 109.

1. Regulátor pravítka okraje
2. Regulátor nastavení pokosu
3. Tlačítko pro aretaci vřetene
4. Přední rukojeť s izolací a protiskluzovým povrchem
5. Pojistka proti nechtěnému spuštění nářadí
6. Spínač spouště
7. Otvor pro baterie
8. Spojka trubky odvodu prachu
9. Vnitřní příruba
10. Vnější příruba
11. Šroub kotouče
12. Klíč pro šestihranné šrouby a matice
13. Zámek páky nastavení hloubky
14. Vodicí pravítko okraje
15. Pilový kotouč
16. Rukojeť s izolací a protiskluzovým povrchem

ÚDRŽBA

VAROVÁNÍ

Výrobek nikdy nepřipojujte ke zdroji napájení, když se montují díly, provádí seřizování, čištění, údržba nebo když se nepoužívá. Odpojením produktu předejdete náhodnému spuštění a tím vážnému osobnímu poranění.

- Při údržbě používejte pouze původní náhradní díly výrobce. Použití jakýchkoliv jiných dílů může vytvořit nebezpečí nebo způsobit poškození výrobku.
- Vyhněte se používání rozpouštědel, když čistíte plastové díly. Většina ředidel běžně dostupných v obchodní síti se nehodí k čištění plastových částí, neboť narušuje povrch plastů. K odstranění nečistot, prachu apod. použijte čistý hadr.
- Nikdy nenechte přijít brzdové kapaliny, petrolej, výrobky založené na petroleji, pronikavé oleje, atd. do kontaktu s plastovými součástmi. Tyto výrobky obsahují chemikálie, které mohou poškodit, oslabit nebo zničit plastové části, případně snížit jejich životnost.
- Vždy noste bezpečnostní brýle nebo bezpečnostní brýle s postranními štítky, když obsluhujete elektricky poháněný nástroj nebo při rozmýčávání (tvorbě) prachu. Pokud pracujete v prachu, noste také respirátor.
- Pro větší bezpečnost a spolehlivost by veškeré opravy měly být prováděny autorizovaným servisním střediskem RYOBI.

MAZÁNÍ

Veškerá ložiska nářadí byla výrobcem namazána dostatečným množstvím vysoce účinného maziva, které stačí na celou dobu životnosti produktu při normálních podmínkách používání. Žádné další mazání nářadí není nutné.

SYMBOLY



Bezpečnostní výstraha



Stejnoseměrný proud



Dřevo



Neřezejte kov



Noste ochranu očí



Nebezpečí! Ostrý kotouč.



Nevystavujte dešti



Šířka řezu



Zub kotouče



Před spuštěním přístroje si řádně přečtěte pokyny.



Nelikvidujte vybité baterie a elektrické a elektronické zařízení společně s netříděným komunálním odpadem. Vybité baterie a elektrický a elektronický odpad musí být shromažďovány odděleně. Vybité baterie, akumulátory a odpadní světelné zdroje musí být od zařízení odděleny. Zjistěte si u místní samosprávy nebo u maloobchodníka, jaké jsou pokyny k recyklaci a kde je sběrné místo. Podle místních nařízení mohou mít maloobchodníci povinnost brát bezplatně zpět vybité baterie, elektrický a elektronický odpad. Když budete přispívat k opětovnému použití a recyklaci vybitých baterií a elektrického a elektronického odpadu, pomůže to snížit potřebu surovin. Vybité baterie, zejména ty s obsahem lithia, elektrický a elektronický odpad obsahují cenné a recyklovatelné materiály, které mohou mít nepříznivý dopad na životní prostředí a lidské zdraví, nebudou-li zlikvidovány ekologickým způsobem. Odstraňte z odpadu osobní údaje, pokud nějaké obsahuje.

A körfűrész kialakítása során elsődleges szempont volt a biztonság, a teljesítmény és a megbízhatóság.

RENDELTESSZERŰ HASZNÁLAT

A körfűrész kizárólag olyan felnőttek használhatják, akik elolvasták és megértették a kézikönyv utasításait és figyelmeztetéseit, és tetteikért felelősséget tudnak vállalni.

A terméket úgy alakították ki, hogy legfeljebb 45 mm-es mélységben lehessen vele hasító és keresztvágást végezni fában vagy hasonló anyagokban. A termék egyenes vagy ferde vágásra alkalmas 0 és 50 fok között. Az eszköznek a munkadarabbal érintkező alapvázával együtt kell használni. Kizárólag száraz, jól megvilágított és jól átszellőztetett térben használható.

A terméket kézi használatra tervezték. A terméket nem szabad munkapadra szerelni, kivéve, ha a fűrész gyártója ennek módjáról konkrét útmutatást ad. Ne használja fémek és falazatok vágására.

Ne használja a terméket a rendeltetésétől eltérő célra. A szerszám gép rendeltetésétől eltérő műveletekre való használata veszélyes helyzeteket eredményezhet.

▲ FIGYELEM

Figyelmesen olvassa el az ehhez a szerszámhoz mellékelt összes figyelmeztetést, utasítást és műszaki adatokat, valamint tanulmányozza az ábrákat is. Az alább részletezett előírások be nem tartása olyan baleseteket okozhat, mint pl. tűz, áramütés és/vagy súlyos testi sérülések.

A jövőbeli felhasználásra őrizze meg az összes figyelmeztetést és útmutatót.

BIZTONSÁGI FIGYELMEZTETÉSEK A KÖRFŰRÉSZHEZ

VÁGÁSI ELJÁRÁSOK

▲ VESZÉLY

A kezét tartsa távol a vágási területtől és a fűrészlaptól. Az egyik kezével a szerszám fő markolatát, a másikkal pedig a segédfogantyút kell fogni, vagy pedig a motor védőburkolatra (motorház) kell helyezni. Ily módon a kezei soha nem kerülnek a vágási területre, sem pedig a fűrészláncra meghosszabbított síkjába.

- **Ne nyúljon a munkadarab alá.** ezen a helyen a fűrészláncavédő nem takarja a fűrészláncot.
- **A vágásmélységet a munkadarab vastagságának megfelelően állítsa be.** A vágás során a fűrészláncsa fogai nem szabad, hogy teljesen a munkadarab alá menjenek.
- **SOHA ne tartsa a munkadarabot kézzel ill. a lábai közé szorítva. A vágásra kerülő darabot egy stabil tartóeszközzel kell rögzíteni.** A munkadarab helyes rögzítése elsődleges fontossággal bír a sérülésveszélyek elkerülése érdekében, valamint hogy ne hajoljon meg a fűrészláncsa, így a vágás során ne veszítse el uralmát a szerszám felett.

- **A gépet kizárólag a szigetelt, csúszásgátló részénél fogja, ha olyan felületen dolgozik, amelyben elektromos vezeték lehet, vagy amikor olyan munkát kell végeznie, melynek során a tápvezeték a gép útjába kerülhet.** Az "élő" vezetékkel való érintkezés következtében a szerszám fém alkatrészei áram alá kerülnek, minek következtében a kezelőt áramütés érheti.
- **Használjon mindig párhuzamvezetőt vagy egyenes lécet, amikor párhuzamos vágást hagy végre.** A vágást pontosabban lehet így módon kivitelezni, valamint a fűrészláncsa eldeformálódásának veszélye is elkerülhető.
- **Kizárólag olyan tárcsákat használjon, melyek mérete és formája megfelel a tengely furatátmérőjének.** Egy, a hajtótengelynek nem megfelelő fűrészláncsa nem fog megfelelőképp forogni, és így ahhoz vezethet, hogy elveszíti uralmát a gép felett.
- **Soha ne használjon sérült- ill. nem megfelelő fűrészláncsa csavart és alátétet.** A tárcsa alátétek és csavarok speciálisan az adott típusú fűrészhez lettek kifejlesztve - a maximális biztonság és teljesítmény érdekében.

A VISSZARÚGÁS OKAI ÉS KAPCSOLÓDÓ FIGYELMEZTETÉSEK:

- A megúgrás egy olyan hirtelenszerű reakció, amely akkor léphet fel, ha a fűrészláncsa beszorul, elgörbül, vagy rosszul van beállítva; a fűrész váratlanul elválik a munkadarabtól és hevesen visszarág / visszadobódik a szerszámhasználó irányába.
- Amikor a fűrészláncsa a fába szorul, a tárcsa forgása megakad, és a tovább forgó motor megdobja a fűrész a forgásiránnyal ellenkező irányban, azaz a munkavégző személy felé.
- Ha a fűrészláncsa elgörbül, vagy rosszul van beállítva, a tárcsa hátulján elhelyezkedő fogak belefűrészlődhetnek a fa felületébe, és ez a fűrészláncsát a munkadarabbról hirtelen a szerszámot használó személy irányába vetheti.

A megúgrás ilyen módon a szerszám nem megfelelő használatának és/vagy a helytelen vágási módoknak / körülményeknek az eredménye. Néhány óvintézkedés meghozatalával és figyelmes betartásával azonban elkerülhető ez a veszélyes jelenség.

- **Tartsa erősen, két kézzel a fűrész és oly módon helyezze át a kezeit, hogy egy esetleges megúgrást kontrollálni tudjon.** Munka közben mindig a fűrész egyik oldalára helyezkedjen, és soha ne legyen a fűrészláncsa meghosszabbított síkjában. Megúgrás esetén a fűrész hirtelen hátravetődik, de ezt a reakciót kontrollálni lehet, amennyiben a használó a jelenség tudatában van, és felkészül rá.
- **Ha a fűrészláncsa beszorul, vagy valamilyen okból kifolyólag meg kell szakítania a vágást, engedje el a kapcsolót, és tartsa a fűrész a munkadarabon addig, amíg a tárcsa forgása teljesen le nem áll. Ne próbálja eltávolítani a fűrész a munkadarabból vagy**

visszahúzni a fűrész, miközben a fűrészlap még mozgásban van, mert visszarúgás történhet. Ha a fűrész tárcsa beszorul, keresse meg az okát, és hozza meg a szükséges intézkedéseket ahhoz, hogy ez ne ismétlődhessen meg újra.

- **Mielőtt a vágás folytatásához újraindítaná a fűrész, igazítsa a tárcsát pontosan a fűrésznyomba és ellenőrizze, hogy a fogak nem érnek-e a munkadarabhoz.** Ha a fűrész tárcsa be van szorulva a munkadarabba, a fűrész bekapcsolásakor valószínűleg meg fog ugrani.
- **Ügyeljen arra, hogy a hosszú munkadarabokat támassza alá, ily módon elkerülhető, hogy a fűrész tárcsa beszoruljon, és ezáltal csökkenti a megugrás veszélyét.** A hosszú munkadarabok meghajolhatnak a súlyuk alatt. A munkadarabot ajánlatos két helyen alátámasztani, az egyik a vágásvonalhoz közel, a másik pedig a munkadarab végén legyen.
- **Ne használjon életlen ill. megrongálódott fűrész tárcsát.** Az életlen, vagy rosszul felszerelt fűrész tárcsák használatakor a fűrésznyom túl keskeny és így a tárcsa nagyon sűrűdik, ezáltal nagyobb a torziós igénybevétel- és a megugrás veszélye.
- **Mielőtt a vágáshoz kezdene, ellenőrizze, hogy a vágásmélység- és szögbeállító gombok megfelelően rögzítve vannak-e.** Ha a fűrész tárcsa pozícióját befolyásoló beállítások a vágás során módosulnak, a tárcsa beszorulhat és megnő a megugrás veszélye.
- **Különös figyelemmel járjon el, ha egy már meglévő falat fűrészrel vagy más nem látható területen végez munkát a géppel.** A fűrész tárcsa ilyenkor szemmel nem látható, a felület által rejtett tárgyakkal / szerkezeti elemekkel érintkezhet, és ez megugrást idézhet elő.

ALSÓ VÉDŐBURKOLAT FUNKCIÓ

- **Minden használat előtt ellenőrizze, hogy az alsó fűrész tárcsavédő megfelelőképp takarja-e a tárcsát. Ne használja a fűrész, ha az alsó fűrész tárcsavédőt nem lehet szabadon mozgatni ill. ha nem záródik azonnal a tárcsára. Soha ne rögzítse, ill. kösse ki nyitott állapotban az alsó fűrész tárcsavédőt.** Ha véletlenül leesik a fűrész, az alsó fűrész tárcsavédő meghajolhat. A kar segítségével emelje fel a tárcsavédőt, és bizonyosodjon meg arról, hogy nehézség nélkül mozogtható, valamint hogy se a fűrész tárcsához, se bármilyen más alkatrészhez nem ér, bármilyen legyen is a vágás szöge és mélysége.
- **Bizonyosodjon meg arról, hogy az alsó fűrész tárcsavédő rugója jó állapotban van és helyesen működik. Amennyiben a fűrész tárcsavédő vagy a rugó nem megfelelőképp működik, javítsa meg, vagy cseréltesse ki az adott elemet, mielőtt a fűrész használatba venné.** Az alsó védőburkolat nehezkese mozoghat sértült alkatrészek, gumilerakódások vagy a túl sok lerakódott szennyeződés miatt.
- **Az alsó védőburkolat manuálisan is visszahúzható, de ez csak a speciális vágásokhoz, például**

„beszűrő vágásokhoz” és „kombinált vágásokhoz” engedélyezett. A kar segítségével emelje fel az alsó fűrész tárcsavédőt. Ezután engedje el, amint a fűrész tárcsa bekap a munkadarabba. Bármilyen más típusú vágásnál az alsó fűrész tárcsavédő automatikusan kerül a helyére.

- **Mielőtt a fűrész egy munkaasztalra vagy a földre tenné, mindig ellenőrizze, hogy az alsó fűrész tárcsavédő jól takarja-e a tárcsát.** Ha a fűrész tárcsa nincs megfelelőképp takarva, lendületből mozoghat, és elvághatja azt, ami az útjába kerül. Mindig legyen tudatában annak, hogy a fűrész tárcsa bizonyos ideig még forog a motor leállása után.

TOVÁBBI BIZTONSÁGI FIGYELMEZTETÉSEK

- **A termék használata közben keletkező poregészségre káros, gyúlékony vagy robbanásveszélyes lehet. Ne lélegezze be a port.** Használjon porkihordó rendszert, és viseljen megfelelő pormaszkot.. Alaposan távolítsa el a lerakódott port, pl. egy porszívóval.
- **Soha ne használjon a géppel dörzstárcsát!**
- **Kerülje a fűrészlapok szélének túlmelegedését. Ne használjon életlen ill. megrongálódott fűrész tárcsát.** Ne erőltesse a gépet.
- **Ne használjon az ajánlottnál nagyobb vagy kisebb átmérőjű fűrészlapokat.**
- Viseljen fülvédőt.
- **Szorítsa le a munkadarabot egy szorítóval.** A nem rögzített munkadarabok súlyos sérüléseket és károkat okozhatnak.
- **Alaposan ellenőrizze az anyagot, különösen újrahasznosított fa esetében az idegen tárgyak, mint a szögek, csavarok, kapcsok stb. tekintetében.** Ha szögek, csavarok, tűzőkapcsok vagy más hasonló tárgyak a vágás során érintkeznek a fűrészlappal, a fűrész károsodik és a kezelő vagy mások súlyos sérülése léphet fel.
- **Ne érintse meg a fűrészlapot közvetlenül a vágás után.** A fűrészlap a fűrészelés során felforrósodik.
- Csak a jelöléseknek megfelelő átmérőjű fűrészlapo(ka) t használjon.
- Állapítsa meg, hogy melyik a helyes fűrészlap a vágandó anyaghoz.
- Csak az eszközön jelölt sebességgel egyenlő vagy annál magasabb értéket tartalmazó fűrészlapokat használjon.
- Csak a gyártó által ajánlott, az EN 847-1 szabványnak megfelelő, fához és hasonló anyagokhoz való fűrészpengéket használjon.
- Viseljen pormaszkot.
- Az eszköz környezeti hőmérséklet-tartománya a működés során: 0 °C - 40 °C.
- Az eszköz környezeti hőmérséklet-tartománya a tárolás során: 0 °C - 40 °C.
- A töltőrendszer ajánlott környezeti hőmérséklet-tartománya töltés során: 10 °C - 38 °C.

AZ AKKUMULÁTOR KIEGÉSZÍTŐ BIZTONSÁGI FIGYELMEZTETÉSEI

▲ FIGYELEM

A rövidzárlat általi tűz, sérülések vagy termékárosodások veszélye elkerülésére ne merítse a szerszámot, a cserélhető akkut vagy a töltőkészüléket folyadékba, és gondoskodjon arról, hogy ne hatoljanak folyadékok a készülékekbe és az akkuba. A korrozív hatású vagy vezetőképes folyadékok, mint pl. a sós víz, bizonyos vegyi anyagok, fehérítők vagy fehérítő tartalmú termékek, rövidzárlatot okozhatnak.

- Az akkumulátor környezeti hőmérséklet-tartománya a használat során: 0 °C - 40 °C.
- Az akkumulátor környezeti hőmérséklet-tartománya a tárolás során: 0 °C - 20 °C.

LÍTIUM AKKUMULÁTOROK SZÁLLÍTÁSA

Az akkumulátorokat a helyi és nemzeti előírásokkal és szabályokkal összhangban szállítsa.

Az elemek külső fél általi szállításakor kövesse a csomagolásra és a címkézésre vonatkozó speciális előírásokat. Ügyeljen arra, hogy az akkumulátorok ne érhesenek más akkumulátorokhoz vagy vezető anyagokhoz szállítás közben; ehhez a szabadon maradt csatlakozókat védje szigetelő fedéllel vagy szalaggal. Ne szállítson repedt vagy szivárgó akkumulátorokat. További információért vegye fel a kapcsolatot a továbbítást végző céggel.

VISSZAMARADÓ KOCKÁZATOK

Még a termék rendeltetésszerű használata esetén sem lehet teljesen kiküszöbölni minden kockázati tényezőt. A gép használata során a következő veszélyek merülhetnek fel, és a kezelőnek különösen oda kell figyelnie az alábbiak elkerülésére:

- Visszarúgás okozta sérülések
 - Olvassa el és értelmezze a kézikönyvben található információkat.
- Vibráció okozta sérülések
 - Korlátozza a kitéréséget. Lásd "Kockázatsökkentés".
- Por okozta sérülések
 - Mindig viseljen védőszemüveget. Viseljen megfelelő szűrővel ellátott porvédő maszkot, ami meg tudja óvni a megmunkált anyagból származó portól és a leváló szemcséktől. Ne egyen, igyon vagy dohányozzon a munkaterületen. Biztosítson megfelelő szellőztetést.
- Áramütés
 - A fűrészlap érintkezhet a nem látható vezetékekkel, ami miatt a termék alkatrészei áram alá kerülhetnek. A terméket mindig a kialakított fogantyúknál fogja, és ügyeljen a falakba és padlóba végzett vakvágásokkor, mert itt rejtett kábelek lehetnek.

MEGJEGYZÉS: Ha falon, mennyezetben vagy padlón dolgozik, vigyázzon az azokban található elektromos kábelekkel, gáz- és vízcövekkel.

- Fűrészlap érintése okozta sérülés
 - A fűrészlapok nagyon élesek, és a használat közben felforrósodnak. A fűrészlapok cseréjekor viseljen kesztyűt. A kezét mindig tartsa távol a vágási területtől. SOHA ne tartsa a munkadarabot kézzel ill. a lábai közé szorítva. Amikor lehetséges, szorítókkal rögzítse a munkadarabot.

KOCKÁZATCSÖKKENTÉS

Ismert, hogy a kézi szerszámgépek használata során fellépő vibráció bizonyos személyeknél hozzájárulhat az úgynevezett Raynaud-szindróma (Raynaud's Syndrome) nevű állapot kialakulásához. A tünetei lehetnek: az ujjak zsibbadása, elfehéredése, szúrások érzése, amelyek hidegnek kitéve gyakran felerősödnek. Az öröklődő tényezők, a hidegnek kitettség és verejtékezés, a diéta, a dohányzás és munka közben alkalmazott fogások valószínűleg mind hozzájárulhatnak ezen tünetek megjelenéséhez. A vibráció hatásainak csökkentése érdekében a kezelőnek be kell tartani az alábbi óvintézkedéseket:

- Hideg időben tartsa melegen a testét. A gép használatakor viseljen kesztyűt a kéz és a csukló melegen tartásához. Arról számoltak be, hogy a hideg időjárásnak fontos szerepe van a Raynaud-szindróma kialakulásában.
- Bizonyos időtartamú használat után mindig végezzen gyakorlatokat a vérkeringés javításához.
- Gyakran tartson munkaszünetet. Korlátozza a napi munkaidőt.

Ha ezen állapot bármelyik tünetét tapasztalja, azonnal hagyja abba a munkát, és tájékoztassa az orvosát a tünetekről.

▲ FIGYELEM

A gép hosszabb idejű folyamatos használata sérüléseket okozhat vagy súlyosbíthatja a tüneteket. Ha a gépet hosszú időn át kell használnia, tartson gyakran szünetet.

ISMERJE MEG A TERMÉKET

Lásd a 109. oldalon.

1. Szélvezető gomb
2. Ferdevágás beállító gomb
3. Tengely reteszgomb
4. Elülső kar, szigetelt fogófelület
5. Ravasz kireteszelő gomb
6. Be - ki kapcsológomb
7. Akkumulátornyílás
8. Porkivezető cső csatlakozó
9. Belső perem
10. Külső alátét
11. Fűrészlap csavar
12. Imbuszkulcs
13. Mélységállító rögzítőkar
14. Szélvezető lécs
15. Fűrészlemez
16. Kar, szigetelt fogófelület

KARBANTARTÁS

▲ FIGYELEM

Alkatrészek szerelésekor, beállítások végzésekor, tisztításakor, karbantartás végzésekor, illetve használaton kívül mindig húzza ki a gépet az elektromos hálózatról. A termék hálózatról történő leválasztása megakadályozza a véletlen bekapcsolódást, ami súlyos sérülést okozhat.

- Szervizeléskor csak eredeti, a gyártó által biztosított cserealkatrészeket használjon. Bármilyen más alkatrész használata veszélyes és a termék károsodását okozhatja.
- A műanyag részek tisztításakor tartózkodjon a tisztítószerek használatától. A kereskedelmi forgalomban kapható oldószerek rongáló hatással vannak a műanyagból készült elemek többségére. A por és egyéb szennyeződések stb. tisztítására használjon egy tiszta ruhadarabot.
- A műanyag részek semmilyen körülmények között nem érintkezhetnek fékolajjal, benzinnel, petróleum alapú termékekkel, beszívódó olajokkal stb. Ezen anyagok olyan vegyületeket tartalmaznak, amelyek károsíthatják, meggyengíthetik vagy tönkretelhetik a műanyagot.
- Ha a tápkábel sérült, azt a veszélyek elkerülése érdekében csak a gyártó vagy annak hivatalos szervizközpontja cserélheti ki. Lépjen kapcsolatba egy hivatalos szervizközponttal.
- A nagyobb biztonság és megbízhatóság érdekében minden javítást hivatalos RYOBI szervizközpontban kell elvégeztetni.

KENÉS

A termékben lévő összes csapágy a termék teljes élettartamára elegendő kenőanyaggal van feltöltve, normál körülmények közötti használat esetén. Ebből kifolyólag nincs szükség arra, hogy a gép belső részeit kenje.

SZIMBÓLUMOK



Biztonsági figyelmeztetés



Egyenáram



Fa



Ne vágjon fémet



Viseljen szemvédőt



Veszély! Éles fűrészlap.



Ne tegye ki esőnek



Vágás szélessége



Fűrészlap fogai



A gép bekapcsolása előtt figyelmesen olvassa el az útmutatót.

Az akkumulátorok, valamint az elektromos és elektronikus berendezések hulladékait ne dobja a válogatlan települési hulladékok közé. Az akkumulátorok, valamint az elektromos és elektronikus berendezések hulladékait elkülönítve gyűjtse. A hulladékká vált elemeket, akkumulátorokat és fényforrásokat vegye ki a berendezésből. Lépjen kapcsolatba a helyi hatósággal vagy kereskedővel az újrahasznosításra vonatkozó útmutatásért és a gyűjtőállomásokkal kapcsolatos információkért. A helyi szabályozások szerint a kereskedők kötelesek lehetnek ingyen visszavenni az akkumulátorok, illetve az elektromos és elektronikus berendezések hulladékait. A hozzájárulása az akkumulátorok, illetve az elektromos és elektronikus berendezések hulladékainak újrafelhasználásához és újrafeldolgozásához segít csökkenteni a nyersanyagok iránti keresletet. Különösen a lítiumot tartalmazó akkumulátorok, illetve az elektromos és elektronikus berendezések hulladékai értékes és újrafeldolgozható anyagokat tartalmaznak, amelyek káros hatással lehetnek a környezetre és az emberi egészségre, ha nem környezetbarát módon kezelik őket. A hulladékká vált berendezésből szükség esetén törölje a személyes adatokat.



Siguranța, performanța și fiabilitatea au fost principalele noastre priorități la proiectarea fierăstrăului dvs. circular.

DOMENIU DE APLICAȚII

Fierăstrăul circular poate fi utilizat doar de persoane adulte care au citit și au înțeles instrucțiunile și avertismentele din acest manual și pot fi considerate responsabile pentru acțiunile proprii.

Produsul este destinat tăierii lemnului perpendicular pe fibră sau în lungul acesteia sau tăierii altor materiale similare până la o adâncime de maxim 45 mm. Produsul poate efectua tăieri drepte sau înclinate între 0 și 50 grade. Trebuie utilizat împreună cu baza aferentă, aflată în contact permanent cu piesa de prelucrat. Trebuie utilizat doar într-un mediu uscat, bine ventilat și iluminat corespunzător.

Produsul este conceput pentru a fi ținut în mână. Produsul nu trebuie montat pe un banc de lucru decât dacă s-au primit din partea producătorului ferăstrăului instrucțiuni specifice despre cum acest lucru poate fi realizat. Nu folosiți pentru tăierea metalului sau a zidăriei.

Nu folosiți produsul în niciun alt fel decât cel menționat pentru folosirea lui destinată. Utilizarea unei electrice pentru alte operații decât cele preconizate poate duce la situații periculoase.

⚠️ AVERTISMENT

Citiți, cu atenție, toate avertismentele, instrucțiunile și specificațiile furnizate împreună cu aparatul, și consultați ilustrațiile. Nerespectarea instrucțiunilor prezentate în continuare poate provoca accidente cum ar fi incendii, electrocutare și/sau vătămări corporale grave.

Salvați toate avertizările și instrucțiunile pentru o consultare ulterioară.

AVERTISMENTE DE SIGURANȚĂ PRIVIND FIERĂSTRĂUL CIRCULAR

PROCEDURI DE TĂIERE

⚠️ PERICOL

Țineți-vă mâinile la distanță de zona de tăiere și de lamă. Mâna care nu ține mânerul principal al aparatului trebuie să țină mânerul auxiliar sau să fie așezată pe carcasa motorului. Astfel, mâinile dumneavoastră nu riscă să se găsească în zona de tăiere sau pe traiectoria lamei.

- **Nu atingeți partea de sub piesa de lucru.** În acest loc, apărătoarea lamei nu acoperă lama și nu vă poate proteja.
- **Reglați adâncimea de tăiere în funcție de grosimea piesei de prelucrat.** Dinții lamei nu trebuie să depășească în întregime grosimea piesei de prelucrat în timpul tăierii.
- **Nu țineți NICIODATĂ piesa de prelucrat cu mâna sau între picioare. Fixați-o pe un suport stabil.** Este primordial să fixați corect piesa de prelucrat pentru a nu vă expune riscurilor de rănire și pentru a nu îndoi lama sau a pierde controlul tăierii.

- **În cazul în care efectuați operații în locuri în care accesoriul de tăiere poate intra în contact cu cabluri ascunse, țineți unealta electrică de suprafețele de prindere izolate.** Contactul cu fire electrice "descoperite" vor face expuse părțile din metal al aparatului electric să fie și ele "descoperite" și poate să electrocuteze operatorul.
- **Utilizați întotdeauna un ghid de tăiere paralelă sau o riglă atunci când efectuați o tăiere paralelă.** Precizia tăierii va fi mai bună și veți evita riscul de îndoire a lamei.
- **Utilizați întotdeauna lame de mărimea și forma adaptate la diametrul axului.** Lamele neadaptate la axul pe care trebuie să fie montate nu se vor roti corect și pot conduce la o pierdere a controlului asupra aparatului.
- **Nu utilizați niciodată șuruburi sau flanșe de lamă defecte sau neadaptate.** Flanșele și șuruburile de lamă au fost concepute special pentru modelul de ferăstrău, pentru o siguranță și o performanță optime.

CAUZE ALE RECOLULUI ȘI AVERTIZĂRI PRIVITOARE LA EL:

- Reculul este o reacție bruscă, care se produce atunci când lama se agață, se îndoiește sau este aliniată încorect; ferăstrăul se eliberează brusc din piesa de prelucrat și sare violent înapoi, în direcția utilizatorului.
- Atunci când lama se agață în lemn, lama se blochează, iar motorul, care continuă să se rotească, proiectează ferăstrăul în sens opus sensului de rotație al lamei, adică spre utilizator.
- Dacă lama se îndoiește sau este aliniată încorect, dinții situați în partea din spate a lamei riscă să intre în suprafața lemnului, ceea ce va face ca lama să iasă brusc din piesa de prelucrat în direcția utilizatorului.

Reculul este deci rezultatul unei utilizări incorecte a aparatului și/sau a procedurilor sau a condițiilor de tăiere incorecte. Reculul poate fi evitat printr-o atenție deosebită acordată respectării unor precauțiuni.

- **Țineți bine ferăstrăul cu ambele mâini și poziționați-vă brațele astfel încât să puteți controla un eventual recul. Așezați-vă într-o parte a ferăstrăului atunci când lucrați, nu stați niciodată pe direcția lamei.** Reculul proiectează brusc ferăstrăul în spate, dar această mișcare poate fi controlată dacă utilizatorul se așteaptă la ea și se pregătește.
- **Dacă lama se blochează, sau dacă trebuie să întrerupeți tăierea din orice motiv, eliberați trăgaciul și mențineți ferăstrăul în piesa de prelucrat până când lama se oprește complet din rotație.** Nu încercați să scoateți ferăstrăul din piesa de lucru și nu trageți ferăstrăul înapoi când pânza se află în mișcare; în caz contrar, poate surveni reculul. Dacă lama se agață, căutați cauza și luați măsurile necesare pentru ca acest lucru să nu se mai repete.
- **Înainte de a reporni ferăstrăul pentru a continua tăierea, aliniați corect lama cu traseul de tăiere și verificați ca dinții lamei să nu atingă piesa de prelucrat.** Dacă lama este înțepenită în piesa de prelucrat, la pornirea ferăstrăului există riscul să se producă un recul.

- **Aveți grijă să susțineți piesele de prelucrat lungi pentru a evita ca lama să se agațe și pentru a limita astfel riscurile de reculuri.** Piesele de prelucrat lungi au tendința să se îndoie sub propria lor greutate. Puteți așeza suporturi pe ambele părți ale piesei de prelucrat, aproape de linia de tăiere și la nivelul capetelor piesei.
- **Nu utilizați lame tocite sau deteriorate.** Lamele care nu sunt ascuțite sau sunt montate necorespunzător vor produce un traseu de tăiere care va duce la o frecare excesivă a lamei și deci la riscuri mai mari de îndoire sau de recul.
- **Înainte de a începe o tăiere, verificați dacă butoanele de reglare a adâncimii și a înclinării sunt blocate corect.** Dacă reglările poziției lamei se modifică în timpul tăierii, lama riscă să se agațe și se poate produce un recul.
- **Folosiți atenție sporită când tăiați în zidăria existentă sau alte zone fără vizibilitate.** Lama ar putea lovi elemente ascunse, ceea ce ar provoca un recul.

FUNCȚIE DE COBORÂRE A APĂRĂTORII

- **Înainte de fiecare utilizare, verificați dacă apărătoarea inferioară a lamei acoperă corect lama. Nu utilizați ferăstrăul dacă apărătoarea inferioară a lamei nu poate fi acționată liber și dacă nu se rabate instantaneu peste lamă. Nu fixați și nu prindeți niciodată apărătoarea inferioară a lamei în poziție deschisă.** Dacă ferăstrăul ar cădea din greșeală, apărătoarea inferioară a lamei s-ar putea îndoii. Ridicați apărătoarea inferioară a lamei cu ajutorul manetei și asigurați-vă că aceasta poate fi manipulată fără dificultate și că nu atinge nici lama, nici o altă piesă, indiferent de unghiul și de adâncimea de tăiere alese.
- **Asigurați-vă că resortul apărătoarei inferioare a lamei este în stare bună și funcționează corect. Dacă apărătoarea lamei sau resortul nu funcționează corect, duceți-le la reparat sau la înlocuit înainte de a utiliza ferăstrăul.** Elementul de protecție inferior poate opera lent din cauza pieselor deteriorate, depunerilor lipicioase sau acumulării de reziduuri.
- **Elementul de protecție inferior poate fi retras manual numai în cazul operațiilor speciale de tăiere, precum „tăieturile înclinate” și „tăieturile compuse”.** Ridicați apărătoarea inferioară a lamei cu ajutorul mânerului. Apoi, de îndată ce lama intră în piesa de prelucrat, eliberați apărătoarea inferioară a lamei. Pentru toate celelalte tipuri de tăieri, apărătoarea inferioară a lamei se așează automat în poziție.
- **Verificați întotdeauna ca apărătoarea inferioară a lamei să acopere bine lama, înainte de a așeza ferăstrăul pe un banc de lucru sau pe sol.** Dacă lama nu este acoperită corect, ea se poate să se rotească din inerție și să taie ce se găsește pe traiectoria ei. Rețineți că lama continuă să se rotească pentru un anumit timp după oprirea motorului.

AVERTIZĂRI SUPLIMENTARE DE SIGURANȚĂ

- **Praful produs când folosiți acest produs poate fi dăunător sănătății dvs, poate fi inflamabil sau explozibil. Nu inhalați praful.** Folosiți un sistem de extracție al prafului și purtați o mască corespunzătoare

de protecție împotriva prafului. Îndepărtați complet praful depus, de exemplu, cu un aspirator.

- **Nu utilizați în niciun caz un disc abraziv.**
- **Evitați supraîncăzirea vârfurilor lamei. Nu utilizați lame tocite sau deteriorate.** Nu forțați unealta.
- **Nu folosiți pânze cu diametrul mai mare sau mai mic decât cel recomandat.**
- Purtați echipamente de protecție a auzului.
- **Prindeți piesa de lucru cu un dispozitiv de prindere.** Piesele de lucru nefixate cu clemă pot cauza vătămare gravă și pagube.
- **Verificați complet materialul ce va fi tăiat de obiecte străine precum cuie, șuruburi sau capșe, în special când folosiți lemn reciclat.** În cazul în care cuiele, șuruburile, capșele sau obiecte asemănătoare vin în contact cu lama în timpul operațiunii de tăiere, ferăstrăul va fi deteriorat și poate avea loc vătămare gravă a operatorului sau a altora.
- **Nu atingeți pânda de fierăstrău imediat după tăiere.** Pânda de ferăstrău devine fierbinte în timpul tăierii.
- Utilizați numai discuri tăietoare cu diametrul corespunzător marcajelor.
- Identificați discul tăietor adecvat care se va utiliza pentru materialul ce va fi tăiat.
- Utilizați numai discuri tăietoare marcate cu o viteză mai mare sau egală cu cea marcată pe unealtă.
- Utilizați numai lamelele recomandate de producător, care sunt conforme cu EN 847-1, dacă acestea vor fi utilizate pe lemn și materiale analoge.
- Purtați mască de prof.
- Temperatura ambientală în timpul funcționării unelei trebuie să fie cuprinsă între 0 °C și 40 °C.
- Temperatura ambientală în timpul depozitării unelei trebuie să fie cuprinsă între 0 °C și 40 °C.
- Temperatura ambientală în timpul încărcării unelei trebuie să fie cuprinsă între 10 °C și 38 °C.

AVERTISMENTE SUPLIMENTARE PRIVIND SIGURANȚA LA UTILIZAREA BATERIILOR

AVERTISMENT

Pentru a reduce pericolul unui incendiu și evitarea rănilor sau deteriorarea produsului în urma unui scurtcircuit nu imersați scula, acumulatorul de schimb sau încărcătorul în lichide și asigurați-vă să nu pătrundă lichide în aparate și acumulatori. Lichidele corosive sau cu conductibilitate, precum apa sărată, anumite substanțe chimice și înalbitori sau produse ce conțin înalbitori, pot provoca un scurtcircuit.

- Temperatura ambientală în timpul utilizării bateriei trebuie să fie cuprinsă între 0 °C și 40 °C.
- Temperatura ambientală în timpul depozitării bateriei trebuie să fie cuprinsă între 0 °C și 20 °C.

TRANSPORTAREA ACUMULATORILOR PE LITIU

Transportați bateria în conformitate cu prevederile și reglementările locale și naționale.

Urmați toate cerințele speciale de pe ambalaj și etichete atunci când transportați acumulatorii la o parte terță. Asigurați-vă că în timpul transportului nicio baterie nu vine în contact cu alte baterii sau materiale conducătoare de electricitate prin protejarea bornelor expuse cu bandă sau capace izolatoare non conducătoare de electricitate. Nu transportați acumulatorii ce sunt crăpați sau au scurgeri. Verificați cu compania de transport pentru sfaturi ulterioare.

- Trebuie făcute pauze la intervale de timp regulate. Limitați expunerea zilnică.

Dacă sunt experimentate oricare dintre simptomele acestei afecțiuni, trebuie întreruptă utilizarea și consultat un medic.

RISCURI REZIDUALE

Chiar dacă produsul este folosit așa cum este descris, este totuși imposibil să se elimine complet anumiți factori de risc reziduali. Următoarele pericole ar putea apărea în timpul folosirii iar operatorul trebuie să acorde o atenție specială pentru a evita următoarele:

- Vătămare cauzată de recul.
 - Citiți și înțelegeți informațiile din acest manual.
 - Vătămare cauzată de vibrații.
 - Limitați expunerea. Vezi "Reducerea Riscului"
 - Vătămare cauzată de praf.
 - Purtați întotdeauna ochelari de protecție. Purtați mască de protecție împotriva prafului cu filtre corespunzătoare ce vă pot proteja de praful de la materialul la care se lucrează. Nu mâncați, beți sau fumați în zona de lucru. Asigurați aerisire adecvată la locul de muncă.
 - Electrocutare
 - Lama poate veni în contact cu firele electrice, cauzând părți ale produsului să devină conductoare electrice. Țineți produsul întotdeauna de mânerul desemnat și fiți atent la tăierea oarbă în pereți și podele unde pot fi ascunse fire electrice.
- NOTĂ:** Atunci când lucrați la pereți, tavane sau podele, fiți atent pentru a evita cablurile electrice și țevile de gaz sau apă.

- Vătămare de la contactul cu lama tăietoare.
 - Lamele sunt foarte ascuțite și vor deveni fierbinți în timpul folosirii. Purtați mănuși la schimbarea lamelor. Țineți întotdeauna ferite mâinile de zona de tăiere. Nu țineți NICIODATĂ piesa de prelucrat cu mâna sau între picioare. Prindeți în clemă piesa de lucru oricând e posibil.

REDUCEREA RISCULUI

S-a reținut că vibrațiile de la sculele de mână pot contribui la starea numită Sindromul lui Raynaud, la anumite persoane. Simptomele pot include fumicături, amorțeală și albirea degetelor, care apare, de obicei, după expunerea la frig. Factorii ereditari, expunerea la frig și umiditate, dieta, fumatul și practicile de muncă contribuie la dezvoltarea acestor simptome. Există măsurători care pot fi efectuate de către operator pentru a reduce efectele de vibrațiilor:

- Păstrați-vă temperatura corporală ridicată pe vreme rece. Când operați unitatea purtați mănuși pentru a vă menține mâinile și încheieturile la căldură. S-a constatat că vremea rece este un factor major care contribuie la sindromul Raynaud.
- După fiecare perioadă de operare, trebuie făcute exerciții pentru a crește circulația sângelui.

⚠ AVERTISMENT

Poti fi cauzate, sau agravate vătămări prin folosirea prelungită a sculei. Atunci când folosiți o sculă pentru perioade prelungite, asigurați-vă că luați pauze regulate.

CUNOAȘTEȚI-VĂ PRODUSUL

Vezi pagina 109.

1. Buton rotativ de ghidare a marginii
2. Buton rotativ de reglare în unghi
3. Buton de blocare a axului
4. Mâner frontal, suprafață de contact izolată
5. Butonul de deblocare a butonului de pornire
6. Declanșator comutator
7. Port acumulator
8. Racord tub de praf
9. Flanșa interioară
10. Flanșă exterioară
11. Șurub lamă
12. Cheie hexagonală
13. Manetă de blocare a reglării adâncimii
14. Protecție a ghidării marginii
15. Lamă
16. Mâner, suprafață de contact izolată

ÎNȚEȚINEREA

⚠ AVERTISMENT

Produsul nu trebuie conectat niciodată la priză atunci când asamblați părțile, faceți reglaje, curățați sau faceți întreținerea, sau atunci când părodusul nu este folosit. Deconectarea produsului va preveni pornirea accidentală ce poate cauza vătămare gravă.

- La efectuarea service-ului folosiți doar piese de schimb originale ale producătorului. Utilizarea altor piese poate crea situații periculoase sau poate conduce la deteriorarea produsului.
- Evitați utilizarea solvenților atunci când curățați piesele din plastic. Majoritatea materialelor plastice pot să fie deteriorate prin utilizarea unor solvenți vânduți în comerț. Utilizați o cârpă curată pentru a curăța murdăriile, praful etc.
- Nu lăsați niciun moment ca lichidele de frână, produsele pe bază de petrol, uleiurile penetrante etc să intre în contact cu părțile din plastic. Aceste produse chimice conțin substanțe care pot afecta, slăbi sau distruge plasticul.
- Atunci când operați scula electrică sau când îndepărtați praful, purtați întotdeauna ochelari de protecție sau ochelari de protecție cu apărători laterale. Dacă mediu de lucru este plin de praf, purtați întotdeauna o mască împotriva prafului.

- Pentru o siguranță și fiabilitate sporită, toate reparațiile trebuie să fie efectuate la un centru service RYOBI autorizat.

LUBRIFIEREA

Toți rulmenții din interiorul produsului sunt lubrifiați cu o cantitate suficientă de lubrifiant de calitate înaltă pentru durata produsului în condiții normale de folosire. În consecință, nici o ungere suplimentară nu este necesară.

SIMBOLURI



Alertă de siguranță



Curent continuu



Lemn



Nu tăiați metal



Purtați echipamente de protecție a vederii



Pericol! Pânză ascuțită.



Nu expuneți în ploaie



Lățime a tăierii



Dinte lamă



A nu se arunca deșeurile de echipamente electronice și electrice și bateriile epuizate la gunoierul menajer. Deșeurile formate din echipamente electrice și electronice și bateriile epuizate trebuie colectate separat. Sursele de iluminare, bateriile și acumulatorii epuizați trebuie scoase din aceste echipamente. Solicitați consiliere de la autoritatea dvs. locală sau de la comerciantul de unde ați achiziționat aspiratorul, în privința punctului de colectare. Conform reglementărilor naționale, vânzătorii cu amănuntul au obligația de a colecta bateriile epuizate, deșeurile de echipament electric și electronic, gratuit. Contribuția dvs. la reciclarea și reutilizarea bateriilor, a echipamentelor electrice și electronice ajută la reducerea cererii de materii prime. Bateriile epuizate, în special cele cu litiu, deșeurile formate din echipamente electrice și electronice conțin materiale reciclabile valoroase, care pot avea o influență negativă asupra mediului înconjurător și asupra sănătății umane, dacă nu sunt eliminate într-o manieră ecologică. Ștergeți datele personale din echipamentul deșeu, dacă este cazul.

Drošībai, veikspējai un uzticamībai ir pievērsta vislielākā uzmanība, radot jūsu ripzāģi.

PAREDZĒTĀ LIETOŠANA

Rotācijas instruments paredzēts lietošanai tikai pieaugušiem, kuri izlasījuši un sapratuši šīs rokasgrāmatas norādes un brīdinājumus un var tikt uzskatīti par atbildīgiem par savu rīcību.

Produkts ir radīts koka vai līdzīgu materiālu zāģēšanai šķiedras virzienā vai tai šķērsam ar maksimālo dziļumu līdz 45 mm. Produkts var veikt taisnu vai slīpus zāģējumus starp 0 un 50 grādiem. Instrumentu jālieto tā, lai tā pamatne saskartos ar apstrādājamo materiālu. Tas jālieto tikai sausā, labi apgaismotā un labi vēdināmā vietā.

Produkts ir paredzēts lietošanai, turot rokās. Produkts nav paredzēts uzstādīšanai uz darba galda, ja vien zāģa ražotājs nav sniedzis īpašas norādes par to, kā tas darāms. Neizmantojiet griešanai metālā vai mūrī.

Neizmantojiet ierīci citiem mērķiem, bet tikai tam paredzētajiem. Izmantojot elektroinstrumentu darbībā, kas nav paredzētas, var rasties bīstama situācija.

⚠ BRĪDINĀJUMS

Izlasiet visus drošības brīdinājumus, instrukcijas, specifikācijas un apskatiet attēlus šī elektroinstrumenta dokumentācijā. Visu uzskaitīto instrukciju neievērošana ir bīstama; tā var izraisīt elektrisko triecienu, aizdegšanos un/vai nopietnas traumas.

Visus brīdinājumus un norādījumus saglabājiet turpmākām uziņām.

RIPZĀĢA DROŠĪBAS BRĪDINĀJUMI

ZĀĢĒŠANAS DARBĪBAS

⚠ BĪSTAMI

Sargājiet rokas no griešanas zonas un asmens. Turiet savu otru roku uz papildu roktura vai motora korpusa. Ja abas rokas tur zāģi, tad tajās nevar iezāģēt ar ripu.

- Nesniedzieties zem sagataves. Aizsargs nevar pasargāt jūs no ripas zem sagataves.
- Noregulējiet griešanas dziļumu līdzvērtīgi sagataves biežumam. Zem sagataves jābūt redzamam mazāk par pilnu zobu.
- Nekādā gadījumā neturiet zāģējamo sagatavi rokās vai pāri kājām. Piestipriniet sagatavi pie stabilas pamatnes. Ir svarīgi pareizi atbalstīt sagatavi, lai mazinātu ķermeņa atsegumu, ripas ķeršanos vai kontroles zaudēšanu.
- Darbos, kuros instruments var saskarties ar slēptiem vadiem, turiet instrumentu aiz izolētajām satveršanas virsmām. Saskarsme ar "dzīvu" vadu padarīs ierīces neaplātās metāla daļas "dzīvās" un var radīt elektrošoku lietotājam.

- **Zāģējot šķērseniski, izmantojiet vadlīniju vai vadotni ar taisnu malu.** Tas uzlabo griezuma precizitāti un mazina ripas ķeršanās risku.
- **Obligāti izmantojiet pareiza izmēra un formas (rombeveida vai trīsstūrveida zobu) zobus.** Ripas, kuru forma neatbilst zāģa stiprināšanas ietaisēm, kustēsies ekscentriski, kas mazina kontroli pār zāģi.
- **Nedrīkst izmantot bojātas vai nepareizas paplāksnes vai skrūves.** Asmens starplikas un skrūves speciāli izstrādātas jūsu zāģim, optimālam sniegtam un drošībai.

ATSITIENA CĒLOŅI UN AR TO SAISTĪTIE BRĪDINĀJUMI:

- Papildu drošības instrukcijas visiem zāģiem Atsitienu iemesli un tā novēršana; atsitiens ir pēkšņa reakcija uz iespiestu, ieliktu vai nepareizi noregulētu zāģa ripu, kas var pasist nepietiekami labi novaldītu zāģi uz augšu un ārā no sagataves pret operatoru;
- kad ripu iespiež vai ieliec iegriezuma saspiešanās, ripa tiek bremsēta, un motora reakcija strauji virza instrumentu atpakaļ pret operatoru;
- ja ripa tiek saliekta vai izregulējas griezumā, ripas zobi var iecirsties materiāla augšējā virsmā, liekot ripai izlekt no griezuma pret operatoru;

Atsitiens rodas no zāģa nepareizas lietošanas un/vai nepareizas darba procedūras vai apstākļiem; no tā var izvairīties, veicot pareizus drošības pasākumus.

- **Turiet zāģi stingri un novietojiet rokas tā, lai tās noturētu pret potenciālo atsitienu.** Novietojiet ķermeni abās ripas pusēs, bet ne vienā līnijā ar ripu. Atsitiens var likt zāģim atlekt atpakaļ, bet operators var kontrolēt tā spēkus, ja tiek veikti pareizi drošības pasākumi.
- **Kad ripa ķeras vai zāģēšana tiek pārtraukta kādu citu iemeslu dēļ, atlaidiet slēdža mēlīti un turiet zāģi nekustīgi materiālā, līdz ripa pilnībā apstājas.** Nekad nemēģiniet izcelt zāģi no sagataves vai vilkt zāģi atpakaļ, kamēr asmens pārvietojas, jo tas var izraisīt atsitienu. Izpētiet, kādi iemesli izraisa ripas ķeršanos, un novērsiet tos.
- **Kad atkārtoti ielēdzat zāģi, kas atrodas sagatavē, centrējiet ripu griezumā un pārbaudiet, vai ripas zobi nav iekērušies materiālā.** Ja zāģa ripa iekēras, zāģi atkal iedarbinot, tas var palēkties vai atlekt atpakaļ no sagataves.
- **Atbalstiet lielas plāksnes, lai mazinātu risku, ka ripa iekērsies griezumā un atsīties atpakaļ.** Lielas plāksnes parasti liecas no sava svara. Balstus jānovieto zem plāksnes abās pusēs zāģējuma līnijas un plāksnes malas tuvumā.
- **Nelietojiet ripas ar neasinātiem zobiem vai bojātas ripas.** Neasinātas vai nepareizi iestāļtas ripas rada šauru zāģējuma eju, kas rada pārāk lielu berzi, ripas ķeršanos un atsitienu.
- **Ripas dziļuma un leņķa regulēšanas fiksatoriem jābūt droši pievilktiem, pirms sākt zāģēšanu.** Ja zāģēšanas procesā ripas ieregulējums novirzās, tā var saķerties un atsīties atpakaļ.

- Rīkojieties īpaši piesardzīgi, zāgējot esošajās sienās vai citās neredzamās vietās. Izvirzījusies ripa var atdurties pret objektiem, kas var izraisīt atsitieni.

APAKŠĒJĀ AIZSARGA FUNKCIJA

- Pirms katras izmantošanas pārbaudiet, vai kustīgais aizsargs pareizi aizveras. Nelietojiet zāģi, ja kustīgais aizsargs brīvi nekustas un uzreiz neaizveras. Nekādā gadījumā nefiksējiet kustīgo aizsargu atvērtā pozīcijā. Ja zāģis nejauši nokrīt, kustīgais aizsargs var saliekties. Paceliet kustīgo aizsargu ar atvelkamo rokturi un pārbaudiet, vai tas kustās brīvi un nepieskaras ripai vai citai daļai – jebkurā leņķī un griezuma dziļumā.
- Pārbaudiet kustīgā aizsarga atsperes darbību. Ja aizsargs un atspere nedarbojas pareizi, tiem pirms lietošanas jāveic apkope. Apakšējā aizsarga darbība var būt lēna bojātu detaļu, sveķu nogulšņu vai atbirumu uzkrāšanās dēļ.
- Apakšējo aizsargu var manuāli atbīdīt tikai īpašiem griezumiem, piemēram, "iegriezumiem" un "saliktiem griezumiem". Paceliet kustīgo aizsargu ar atvelkamo rokturi un, tiklīdz ripa iekļūst materiālā, atlaidiet kustīgo aizsargu. Visiem citiem zāģēšanas darbiem kustīgajam aizsargam jāļauj atvirzīties pašam.
- Vienmēr pārliecinieties, vai kustīgais aizsargs apsedz ripu, pirms novietot zāģi uz sola vai grīdas. Nenosegta, kustīga ripa liks zāģim virzīties atpakaļ, izzāģējot visā, kas gadīsies tā ceļā. Ņemiet vērā laiku, kas nepieciešams, lai ripa pēc slēdža mēlītes atlaišanas apstātos.

PAPILDU DROŠĪBAS BRĪDINĀJUMI

- Produkta darbības laikā radušies putekļi var būt kaitīgi jūsu veselībai, viegli uzliesmojoši vai sprāgstoši. Neieelpojiet putekļus. Lietojiet putekļu izvadīšanas sistēmu un valkājiet piemērotu aizsargmasku pret putekļiem. Rūpīgi noņemiet nogulsņējus putekļus, piemēram, ar putekļsūcēju.
- Neizmantojiet abrazīvās ripas.
- Nepārkarsējiet asmens uzgaļus. Nelietojiet ripas ar neasinātiem zobiem vai bojātas ripas. Nepārslodojiet instrumentu.
- Neizmantojiet ripas, kuru diametrs ir lielāks vai mazāks par ieteicamo.
- Lietojiet dzirdes aizsargus.
- Nostipriniet apstrādājamo objektu ar nostiprinājuma skavu. Neiespilētas sagataves var izraisīt nopietnas traumas un bojājumus.
- Uzmanīgi pārbaudiet zāģējamo materiālu, īpaši, kad izmantojat otrreiz pārstrādātu koksni, vai tajā nav svešķermeņu kā naglas, skrūves un skavas. Ja naglas, skrūves, skavas vai līdzīgi priekšmeti saskaras ar asmeni zāģēšanas laikā, zāģis tiks bojāts un var radīt nopietnus savainojumus tā izmantotājam vai apkārtējiem.
- Neaizskariet zāģa asmeni uzreiz pēc zāģēšanas. Zāģa asmens zāģēšanas laikā sakarst.

- Izmantojiet tikai asmetru(s) saskaņā ar marķējumu.
- Atrodiet zāģējamam materiālam piemērotu zāģa asmeni.
- Izmantojiet tikai zāģa asmeņus, kas marķēti ar ātrumu, kas vienāds vai lielāks par ātrumu, kas norādīts uz instrumenta.
- Izmantojiet tikai ražotāja ieteiktos zāģa asmeņus, kas atbilst standartam EN 847-1, ja paredzēts strādāt ar koku vai līdzīgiem materiāliem.
- Valkājiet putekļu masku.
- Apkārtējās vides temperatūras diapazons instrumentam lietošanas laikā ir starp 0 °C un 40 °C.
- Apkārtējās vides temperatūras diapazons instrumenta uzglabāšanai ir starp 0 °C un 40 °C.
- Ieteicamais apkārtējās vides temperatūras diapazons lādēšanas sistēmai uzlādes laikā ir starp 10 °C un 38 °C.

PAPILDU AKUMULATORU BLOKA DROŠĪBAS BRĪDINĀJUMI

▲ BRĪDINĀJUMS

Lai novērstu īssavienojuma izraisītu aizdegšanās, savainojumu vai produkta bojājuma risku, neiegremdējiet instrumentu, maināmo akumulatoru vai uzlādes ierīci šķidrums un rūpējieties par to, lai ierīcēs un akumulatoros neiekļūtu šķidrums. Koroziju izraisoši vai vadītspējīgi šķidrums, piemēram, sālsūdens, noteiktas ķīmikālijas, balinātāji vai produkti, kas satur balinātājus, var izraisīt īssavienojumu.

- Apkārtējās vides temperatūras diapazons akumulatoram lietošanas laikā ir starp 0 °C un 40 °C.
- Apkārtējās vides temperatūras diapazons akumulatora uzglabāšanai ir starp 0 °C un 20 °C.

LITĪJA AKUMULATORU PĀRVADĀŠANA

Pārvadājiet akumulatoru saskaņā ar vietējiem un valsts nosacījumiem un noteikumiem.

Ja akumulatoru pārvadāšanu veic trešā puse, ievērojiet visas īpašās prasības par iepakojšanu un marķēšanu. Transportējot nodrošiniet, lai akumulatori nesaskaras ar citiem akumulatoriem vai vadošiem materiāliem, atsegtos savienotājus aizsargājot ar izolējošiem, nevadošiem vāciņiem vai lenti. Nepārvietojiet akumulatorus, kas ir ieplaisājuši vai ar noplūdi. Konsultējieties ar pārsūtīšanas uzņēmumu.

PALIEKOŠIE RISKI

Pat tad, ja ierīce tiek lietota, kā aprakstīts, joprojām nav iespējams pilnībā novērst atsevišķus riska faktorus. Lietošanas laikā var rasties šādas briesmas un strādniekam īpaša uzmanība jāpievērš šim:

- Vibrācijas radīti bojājumi
 - Izlasiet un izprotiet informāciju šajā rokasgrāmatā.
- Vibrācijas radīti bojājumi
 - Ierobežojiet iedarbību. Skatīt "Risku Samazināšana".

- Putekļu izraisītas traumas
 - Vienmēr lietojiet aizsargbrilles. Valkājiet atbilstošu putekļu aizsargmasku ar piemērotiem filtriem, kas var pasargāt no putekļiem. Darba vietā neēdiet, nedzeriet un nesmēķējiet. Darba vietā nodrošiniet atbilstošu ventilāciju.
- Elektriskās strāvas trieciens
 - Asmens var saskarties ar slēptiem vadiem, radot to, ka preces daļas sakustās. Vienmēr turiet precī aiz paredzētā roktura un uzmanieties, kad zāģējāt sienās un grīdās, neredzot ko darāt, jo tur var būt paslēpti vadi.

PIEZĪME: Veicot darbus sienās, griestos vai grīdā, uzmanieties, lai nenonāktu saskarē ar elektrības kabeļiem un gāzes vai ūdens caurulēm.

- Miesas bojājumi no saskares ar griezējasmēni
 - Asmeņi ir ļoti asi un lietošanas laikā uzkarst. Asmeņu nomainīšanas laikā valkājiet cimdus. Vienmēr turiet rokas drošā attālumā no griešanas vietas. Nekādā gadījumā neturiet zāģējamo sagatavi rokās vai pāri kājām. Nostipriniet apstrādājamo materiālu, kad vien iespējams.

RISKA SAMAZINĀŠANA

Ir ziņots, ka rokās turamu preču vibrācijas dažām personām var veicināt „Reino sindromu”. Simptomi var ietvert pirkstu tīkšķēšanu, nejutīgumu un nobālēšanu, parasti aukstā laikā. Tiek uzskatīts, ka tradicionālie faktori, aukstums un mitrums, uzturs, smēķēšana un darba prakse sekmē šo simptomu attīstību. Operators var veikt pasākumus, lai iespējami samazinātu vibrācijas efektu:

- Aukstā laikā ķermenim jābūt siltam. Darbinot ierīci, nēsājiet cimdus, lai rokas un plaukostas locītavas būtu siltas. Ir pētījumi, ka auksts laiks ir galvenais faktors, kas veicina Reino sindromu.
- Ik pēc laika apturiet darbu un veiciet vingrinājumus, kas uzlabo asins cirkulāciju.
- Strādājot jābūt biežiem pārtraukumiem. Ierobežojiet iedarbības ilgumu dienā.

Ja jūs izjūtat kādu no šiem simptomiem, nekavējoties apturiet ierīces lietošanu un sazinieties ar ārstu par šiem simptomiem.

⚠ BRĪDINĀJUMS

Ilgstoša instrumenta lietošana var izraisīt traumas vai pasliktināt veselības stāvokli. Ilgstoši lietojot jebkuru instrumentu, pārliecinieties, ka tiek veikti regulāri pārtraukumi.

IERĪCES IEPAZĪŠANA

Skatīt 109. lpp.

1. Gaidīšanas laiks
2. Malas vadotnes rokturis
3. Vārpstas bloķēšanas poga
4. Priekšējais rokturis, izolēta satveršanas virsma

APKOPE

⚠ BRĪDINĀJUMS

Produktu nekad nedrīkst pievienot barošanas padevei, veicot daļu montāžu, regulēšanu, tīrīšanu vai apkopi, kā arī laikā, kad tas netiek izmantots. Atvienojot produktu, tiek novērsta nejauša ieslēgšanās, kas var izraisīt nopietnu traumu.

- Veicot apkopi, izmantojiet tikai oriģinālās ražotāja rezerves daļas. Jebkādi citu detaļu izmantošana var izraisīt bīstamību vai produkta bojājumus.
- Tīrot plastmasas daļas, izvairieties no šķīdinātāju lietošanas. Vairums plastmasu ir jutīgas pret dažāda veida pārdošanā esošajiem šķīdinātājiem un to izmantošanas rezultātā var tikt bojātas. Izmantojiet tīru drānu, lai noīrītu netīrumus, oglekļa putekļus utt.
- Nekādā gadījumā plastmasas daļām neļaujiet nonākt saskarē ar bremžu šķidrumu, benzīnu, naftas izstrādājumiem, eļļām ar paaugstinātu mitrināšanas spēju utt. Ķīmikālijas var sabojāt, novājināt vai iznīcināt plastmasas detaļas.
- Elektroinstrumenta darbības vai putekļu pūšanas laikā vienmēr izmantojiet aizsargbrilles vai drošības brilles ar sānu aizsargiem. Ja darbība ir saistīta ar putekļu rašanos, uzlieciet arī putekļu masku.
- Lielākai drošībai un uzticamībai, visus remontdarbus jāveic RYOBI pilnvarotam servisa centram.

ELĻOŠANA

Visi izstrādājuma gultņi tiek eļļoti ar pietiekamu augstas kvalitātes smērvielas daudzumu, lai nodrošinātu produkta kalpošanas laiku normālos lietošanas apstākļos. Tāpēc papildu eļļošana nav nepieciešama.

APZĪMĒJUMI



Drošības brīdinājums



Līdzstrāva



Koks



Negrieziet metāla



Valkājiet acu aizsarglīdzekļus



Bīstami! Ass asmens.



Sargājiet no lietus



Griezuma platums



Asmens zobi



Pirms iedarbināt mašīnu, lūdzu rūpīgi izlasiet instrukcijas.

Neizmetiet akumulatoru atkritumus kā nešķirotus sadzīves atkritumus. Akumulatoru atkritumi, elektrisko un elektronisko iekārtu atkritumi jāsavāc atsevišķi. Bateriju, akumulatoru un gaismas avotu atkritumi ir jāizņem no iekārtām. Sazinieties ar vietējo pašvaldību vai mazumtirgotāju, lai saņemtu ieteikumus pārstrādei un savākšanas punktus. Saskaņā ar vietējiem noteikumiem mazumtirgotājiem var būt pienākums bez maksas pieņemt atpakaļ akumulatoru, elektrisko un elektronisko iekārtu atkritumus. Jūsu ieguldījums elektrisko un elektronisko iekārtu atkritumu otrreizējā izmantošanā un otrreizējā pārstrādē palīdz samazināt izejvielu pieprasījumu. Akumulatoru atkritumi, it īpaši tie, kas satur litiju, un elektrisko un elektronisko iekārtu atkritumi satur vērtīgus un pārstrādājamus materiālus, kas var nelabvēlīgi ietekmēt vidi un cilvēku veselību, ja tos neapglabā videi draudzīgā veidā. Izdzēsiet no atkritumos nododamajām iekārtām personīgos datus, ja tādi tur ir.



Kuriant diskinio pjūklo konstrukciją, didžiausia pirmenybė buvo skiriama saugai, našumui ir patikimumui.

NAUDOJIMO PASKIRTIS

Diskinis pjūklas yra skirtas naudoti tik suaugusiems, kurie yra perskaitę ir supratę šiame vadove pateikiamas instrukcijas bei įspėjimus ir gali būti laikomi atsakingais už savo veiksmus.

Šis įrankis skirtas medienai ir panašioms medžiagoms įleidžiamaisiais ir skersiniais pjūviais iki maks. 45 mm gylio pjaustyti. Įrankis gali pjauti tiesiai arba įstrižai, 0–50 laipsnių kampais. Jį reikia naudoti įrankio pagrindą prispaudžiant prie ruošinio. Jį galima naudoti tik sausoje, gerai apšviestoje ir gerai vėdinamoje patalpoje.

Produktas sukurtas naudoti laikant rankose. Produkto negalima montuoti ant darbo stalo, išskyrus atvejus, kai pjūklo gamintojas tiksliai nurodo, kaip tai daryti. Įrankio nenaudokite pjauti metalą arba mūrą.

Gaminį galima naudoti tik pagal paskirtį. Naudokite elektrinį įrankį tik pagal tiesioginę paskirtį, kitaip sukelsite pavojingą situaciją.

⚠ ĮSPĖJIMAS

Perskaitykite visus saugos įspėjimus, visas instrukcijas, paveikslėlius ir techninius reikalavimus, pateikiamus su šiuo elektriniu įrankiu. Apačioje išdėstytų instrukcijų nesilaikymas gali sukelti elektros smūgį, gaisrą ir (ar) sunkius sužeidimus.

Kad tinkamai naudotumėte įrankį, žr. visus perspėjimus ir nurodymus.

DARBO SU DISKINIU PJŪKLU SAUGOS ĮSPĖJIMAI

PJOVIMO PROCEDŪROS

⚠ PAVOJUS

Rankas laikykite toliau nuo pjovimo zonos ir geležtės. Turiet savu otru roku už papildu roktura vai motora korpusa. Ja abas rokas tur žągi, tad tajās nevar iezągēt ar ripu.

- **Rankų neikiškite po ruošiniu.** Apsauginis gaubtas jūsų rankų po ruošiniu apsaugoti negali.
- **Pjovimo gylį nustatykite pagal ruošinio storį.** Po ruošiniu turi būti matomas dalis geležtės dantuko.
- **Niekada pjaunamo ruošinio nelaikykite rankose ar ant kojų.** Ruošinį pritvirtinkite prie stabilaus darbo paviršiaus. Ruošinį svarbu gerai atremti, siekiant sumažinti pavojų jūsų kūnui, geležčių sukibimą ar pjūklo nesuvaldymą.
- **Elektrinį įrankį laikykite už izoliuotų paviršių, kad darbo metu pjovimo įrankio priedas nesusiliestų su paslėptais laidais.** Susilietus su laidais, kuriais teka srovė, neizoliuotos elektrinio įrankio metalinės dalys taip pat gali tapti laidininkais ir įrankiu dirbantis asmuo gali patirti elektros smūgį.
- **Pjaunant išilgai, būtina visada naudoti išilginio pjovimo kreiptuvą ar tiesų kraštų kreiptuvą.** Tokiu būdu užtikrinamas pjovimo tikslumas ir sumažinamas geležtės užsikirtimas.

- **Visada naudokite veleno angų geležtes tinkamo dydžio ir formos (rombo formos, o ne apvalųjį).** Geležtės, nepritaikytos pagal pjūklo montavimo detales, sukis ekscentriškai, dėl to pjūklo nesuvaldysite.
- **Niekada nenaudokite pažeistų ar neteisingų geležčių poveržlių ar varžtų.** Geležčių poveržlės ir varžtai yra specialiai pagaminti jūsų pjūklui, siekiant geriausių pjovimo rezultatų ir saugumo pjaunant.

ATATRANKOS PRIEŽASTYS IR SUSIJĘ ĮSPĖJIMAI:

- Kiti visų pjūklo saugumo nurodymai Atgalinio smūgio priežastys ir operatoriaus apsauga Atgalinis smūgis yra staigi reakcija į suspaustą, šokinėjančią ir nelygią geležtę, kai nevaldomas pjūklas pakeliamas nuo ruošinio link operatoriaus;
- Kai geležtė smarkiai suspaudžiama ar priveržta įpjovai užsidarant, geležtė įstringa ir variklis pjūklą veda staiga atgal link operatoriaus;
- Jei geležtė išsikreipia ar tampa nelygi pjaunant, galinio krašto geležtės dantukai gali įpjauti viršutinį medienos sluoksnį, tokiu būdu priversdami geležtę išslysti iš prapjovos ir staiga pasislinkti atgal link operatoriaus.

Atgalinis smūgis yra netinkamo pjūklo naudojimo ir (ar) klaidingo darbo proceso ar sąlygų rezultatas. Jo galima išvengti laikantis atitinkamų žemiau išdėstytų apsaugos priemonių.

- **Pjūklą tvirtai laikykite abiem delnais, o rankas laikykite taip, kad jos išlaikytų atgalinio smūgio jėgą.** Stovėkite vienoje ar kitoje geležtės pusėje, bet ne vienoje linijoje su geležte. Dėl atgalinio smūgio pjūklas gali atšokti atgal, tačiau atgalinio smūgio jėgą operatorius gali suvaldyti, jei jis imasi tinkamų apsaugos priemonių.
- **KJei geležtė kertasi ar dėl kitos priežasties trukdo normaliam pjovimui, atleiskite perjungiklį ir pjūklą ruošinyje laikykite jo nejudindami tol, kol geležtė visiškai sustos.** Diskui sukantis niekada nebandykite pjūklo iš ruošinio ištraukti ar jo traukti atgal, nes galite sukelti atatranką. Nustatykite geležtės kirtimosi priežastis ir imkitės tinkamų veiksmų joms pašalinti.
- **Jei pjūklą ruošinyje paleidžiate iš naujo, geležtę nustatykite prapjovos viduryje ir patikrinkite, ar dantukai nėra įlindę į ruošinį.** Jei pjūklo geležtė kertasi, iš naujo paleidus pjūklą ji iš ruošinio gali iššokti ar smogti atgal.
- **Didelės plokštės paremkite, kad išvengtumėte geležčių suspaudimo ir atgalinio smūgio pavojaus.** Dėl savo svorio didelės plokštės paprastai įlinksta. Atramas būtina padėti iš abiejų plokštės pusių po plokštėmis, šalia pjovimo linijos bei plokštės kraštų.
- **Nenaudokite atžipiusių ir pažeistų geležčių.** Negaląstos ar netinkamai nustatytos geležtės pjauna siaurą prapjovą, taip sukeldamos per didelės trinties geležtės sukibimą ir atgalinį smūgį.
- **Prieš pradėdant pjauti, geležtės gylio ir įstrižo nustatymo užrakinimo svirtys turi būti tvirtos ir saugios.** Jei pjovimo metu geležtės nustatymai pasikeičia, geležtė gali užsikirsti ir sukelti atgalinį smūgį.
- **Atlikdami pjovimą esančiose sienose ar kitose nematomose vietose, būkite ypač atsargūs.** Atsikūsi geležtė gali įpjauti objektus, kurie gali sukelti atgalinį smūgį.

APATINIO APSAUGINIO GAUBTO FUNKCIJA

- **Prieš pradėdami darbą visada patikrinkite, ar apatinis apsauginis gaubtas tinkamai užspaustas. Jei šis apatinis apsauginis gaubtas laisvai nejudą ir iškart uždaromas, pjūklų nenaudokite. Apatinio apsauginio gaubto niekada neužspauskite ar pritvirtinkite atviroje padėtyje.** Jei pjūklą atsitiktinai numesite, apatinis apsauginis gaubtas sulinks. Apatinį apsauginį gaubtą pakelkite ištraukiamo rankena bei užtikrinkite, kad jis laisvai juda ir nesiliečia į geležtę ar bet kurią kitą detalę visais pjovimo kampais ir gyviais.
- **Patikrinkite apatinio apsauginio gaubto spyruoklės veikimą. Jei gaubtas ir spyruoklė tinkamai neveikia, prieš naudojimą būtina atlikti jų techninę priežiūrą.** Apatinis apsauginis gaubtas gali lėtai veikti dėl pažeistų detalių, sakų sankaupų ar susikaupusių atliekų.
- **Apatinį apsauginį gaubtą ištraukti rankomis galima tik specialiam pjovimui, pvz. „vidiniam pjovimui“ ir „sudurtiniam pjovimui“.** Apatinį apsauginį gaubtą pakelkite, ištraukdami rankeną ir kai tik geležtė įlenda į ruošinį, apatinį gaubtą atleiskite. Visiems kitiems pjovimo būdams, apatinis apsauginis gaubtas turi veikti automatinio būdu.
- **Prieš padėdami pjūklą ant suolelio ar grindų, visada patikrinkite, ar apatinis apsauginis gaubtas dengia geležtę.** Dėl neapsaugotos, laisvai besisukančios geležtės pjūklas gali slinkti atbula kryptimi bei pjauti visus jo kelyje esančius daiktus. Atminkite, kad atleidus jungiklį, geležtei reikia laiko visiškai nustoti suktais.

- Naudokite tik tokius pjovimo diskus, ant kurių nurodytas maksimalus sukimosi greitis prilygsta arba viršija ant įrankio nurodytą sukimosi greitį.
- Naudokite tik gamintojo rekomenduojamus pjovimo diskus, kurie atitinka standartą EN 847-1, skirtus medienai ir panašioms medžiagoms pjauti.
- Dėvėkite kaukę nuo dulkių.
- Įrankio darbinės aplinkos temperatūros diapazonas nuo 0 °C iki 40 °C.
- Įrankio sandėliavimo aplinkos temperatūros diapazonas nuo 0 °C iki 40 °C.
- Rekomenduojamas įkrovimo sistemų darbinės aplinkos temperatūros diapazonas nuo 10 °C iki 38 °C.

PAPILDOMI AKUMULIATORIAUS SAUGOS ĮSPĖJIMAI

⚠ ĮSPĖJIMAS

Siekdami išvengti trumpojo jungimo sukeliama gaisro pavojaus, sužalojimų arba produkto pažeidimų, neikiškite įrankio, keičiamo akumuliatoriaus arba įkroviklio į skysčius ir pasirūpinkite, kad į prietaisus arba akumuliatorius nepatektų jokių skysčių. Koroziją sukeliantys arba laidūs skysčiai, pvz., sūrus vanduo, tam tikri chemikalai ir balikliai arba produktai, kurių sudėtyje yra baliklių, gali sukelti trumpąjį jungimą.

- Baterijos darbinės aplinkos temperatūros diapazonas nuo 0 °C iki 40 °C.
- Baterijos sandėliavimo aplinkos temperatūros diapazonas nuo 0 °C iki 20 °C.

LIČIO BATERIJŲ GABENIMAS

Gabenkite bateriją pagal įmonės ir valstybinius reikalavimus ir taisykles.

Gabandama baterijas, trečioji šalis privalo vadovautis ant pakuotės ar etikečių nurodytais specialiaisiais reikalavimais. Pasirūpinkite, kad gabenant baterijas nesuliečtų su kitomis baterijomis ar laidžiomis medžiagomis: ant jungiamųjų elementų uždėkite izoliuojančius, nelaidžius apsauginius dangtelius arba šiuos elementus apvyniokite juosta. Negabenkite įtrūkusių ar pratekančių baterijų. Išsamesnio patarimo kreipkitės į gabentojo įmonę.

ŠALUTINIS PAVOJUS

Net naudojant gaminį griežtai pagal paskirtį neįmanoma visiškai atmesti kai kurių liktinių rizikos veiksnių. Būkite budrus atlikdami priežiūros ar valymo darbus: po įrankio naudojimo geležtę kurį laiką išlieka įkaitusi.

- Atatrankos jėgos sukeliama pažeidimai
 - Perskaitykite ir supraskite šiame vadove pateikiamą informaciją.
- Vibracijos sukeliama pažeidimai
 - Ribokite buvimą darbo aplinkoje. Žr. „Rizikos Veiksnių Mažinimas“.
- Dulkių sukeliama žala
 - Visada dėvėkite akių apsaugos priemones. Dėvėkite tinkamą dulkių apsauginę kaukę su specialiais filtrais, galinčiais apsaugoti nuo dulkių, kurias sukelia apdirbama medžiaga. Darbo vietoje negalima

PAPILDOMI SAUGOS PERSPĖJIMAI

- **Dulkės, kurias sukelia plaktukas, gali būti kenksmingos sveikatai, degios arba sprogios. Neįkvėpkite pjovimo dulkių.** Naudokite dulkių ištraukimo sistemą ir dėvėkite tinkamą nuo dulkių apsaugančią veido kaukę. Kruopščiai pašalinkite susikaupusias drožles, pvz. naudojant dulkių siurbį.
- **Su pjūklų nenaudokite jokių abrazyvinių žiedų.**
- **Atsargiai, kad neperkaistų pjoviklio galas. Nenaudokite atšipusių ir pažeistų geležčių.** Nenaudokite įrankio jėga.
- **Nenaudokite didesnio ar mažesnio skersmens geležčių nei rekomenduojama.**
- Dėvėkite klausos apsaugos priemones.
- **Suspauskite ruošinį spaustuviu.** Neprispausti ruošiniai gali pajudėti ir sukelti sunkių traumų ar apgadinti vietą, prie kurios yra tvirtinami.
- **Kruopščiai patikrinkite, ar medžiagoje, kurią ketinate pjauti, nėra pašalinių objektų, tokių kaip viny, varžtai ir kabės; ypač kruopščiai reikia tikrinti pjaunamas medienos antrines žaliavas.** Pjaunant geležtei prisilietus prie vinių, varžtų ar kabių, galima sugadinti pjūklą ir gali sunkiai susižeisti įrankį naudojantis asmuo arba gali būti sužeisti pašaliniai asmenys.
- **Iš karto atlikus pjovimą staklių disko nelieskite.** Pjovimo metu pjovimo diskai įkaista.
- Naudokite tik tokio skersmens (tokių skersmenų) diskus, kokie yra nurodyti parametruose.
- Nustatykite, koks pjovimo diskas yra tinkamas konkrečiai medžiagai pjauti.

valgyti, gerti ar rūkyti. Darbo vieta turi būti tinkamai vėdinama.

- Elektros smūgis
 - Geležtė gali prisiliesti prie paslėptos elektros instaliacijos ir pjūklelis gali tapti srovės laidininku. Gaminį būtina laikyti už tam skirtų rankenų ir atsargiai akloju būdu pjauti sienas bei grindis, kuriose gali būti paslėpti laidai.

PASTABA: Šlifuojant sienas ar pjaunant jose angas, reikia būti atsargiems ir nepažeisti elektros laidų ar dujotiekio arba vandentiekio vamzdžių.

- Sužeidimai prisilietus prie pjovimo geležčių
 - Geležtės labai aštrios ir pjaunant įkaista. Keičiant geležtes, reikia mūvėti pirštines. Rankas būtinai reikia laikyti atokiai nuo pjovimo srities. Niekada pjaunamo ruošinio nelaikykite rankose ar ant kojų. Kai yra galimybė, ruošinį reikia suspausti.

RIZIKOS MAŽINIMAS

Pranešama, kad rankinių įrankių keliamos vibracijos kai kuriems asmenims gali paskatinti Reino sindromo vystymąsi. Šios ligos požymiai yra pirštų dilgčiojimas, nutirpimas ir pabalimas, paprastai pasireiškiantis nuo šalčio. Šie simptomai vystosi dėl paveldimų veiksnių, nesisaugant nuo šalčio ir drėgmės, dėl mitybos, rūkymo ir darbo praktikos. Operatorius gali imtis šių priemonių, kurios gali sumažinti vibracijos poveikį:

- Apsirenkite kuo šilčiau šaltu oru. Dirbant šiuo prietaisu mūvėkite pirštines, kad plaštakos ir riešai būtų laikomi šilti. Turime pranešimų, kad Raynaud sindromas labiausiai vystosi nuo šalto oro sąlygų.
- po darbo kiekvieną kartą pasportuokite, kad pagerėtų kraujotaka;
- dažnai darykite darbo pertraukas. Apribokite darbo laikotarpį per dieną.

Jei jums pasireiškia kokie nors šios būklės simptomai, nedelsdami nutraukite darbą ir kreipkitės į gydytoją.

⚠ ĮSPĖJIMAS

Ilgai naudojant įrankį, galima susižaloti arba pakenkti sveikatai. Ilgiau naudojant įrankius, reikia reguliariai daryti pertraukas.

GERAI IŠMANYKITE APIE GAMINĮ

Žiūrėti 109 psl.

1. Krašto kreiptuvo mygtukas-galvelė
2. Nuožulnumo reguliavimo mygtukas-galvelė
3. Ašies užrakinimo mygtukas
4. Priekinė rankena, izoliuotu paviršiumi
5. Blokavimo mygtukas
6. Perjungiklis
7. Baterijos gnybtas
8. Dulkių vamzdžio sandūra
9. Vidinė jungė
10. Disko jungė
11. Geležtės sraigtas
12. Šešiakampis veržliaraktis
13. Gylio reguliavimo blokavimo svirtas
14. Krašto kreiptuvo užtvara
15. Geležtė
16. Rankena, izoliuotu paviršiumi

PRIEŽIŪRA

⚠ ĮSPĖJIMAS

Perforatoriaus jokių būdų negalima jungti į maitinimo šaltinį montuojant dalis, reguliuojant, valant, atliekant priežiūros darbus ar jo nenaudojant. Atjungus perforatorių, jis nepasileis atsitiktinai: atsitiktinai pasileidęs, šis įrankis gali sunkiai sužaloti.

- Atliekant techninės priežiūros darbus, galima naudoti tik gamintojo atsargines dalis. Kitų detalių naudojimas gali sukelti pavojų ar sugadinti įrankį.
- Valydami plastikines detales, nenaudokite tirpiklių. Daugelis plastikų jautrūs įvairių tipų komerciniams tirpikliams ir juos naudojant galima pažeisti plastikines detales. Valydami purvą, anglies dulkes ir kt. naudokite švarią šluostę.
- Stabdžių skysčiai, gazolinas ir benzino produktai, skvarbios alyvos ir pan. jokių būdų negali patekti ant plastiko dalių. Juose yra chemikalų, kurie gali sugadinti, pažeisti arba susilpninti plastiką.
- Dirbdami su elektriniu įrankiu ar kai pučiamos dulksės, visada dėvėkite apsauginius akinius ar akinius su šonine apsauga. Jei darbo metu kyla dulksės, taip pat dėvėkite kaukę nuo dulkių.
- Siekiant užtikrinti didesnę saugumą ir patikimumą, visus taisymo darbus turi atlikti įgaliotas "RYOBI" techninio aptarnavimo centras.

SUTEPIMAS

Kad įprastomis darbo sąlygomis perforatorius ilgai nesusižalotų, visi jo guoliai sutepti reikiamu kiekiu aukštos klasės tepalo. Todėl daugiau jo tepti nebereikia.

SIMBOLIAI ANT ĮRENGINIO



Saugos perspėjimas



Nuolatinė srovė



Mediena



Nepjunkite metalo



Dėvėkite akių apsaugos priemones



Pavojus! Aštri geležtė.



Saugokite nuo lietaus.



Pjovimo plotis



Geležinės dantukų skaičius



Atidžiai persikaitkite instrukcijas prieš pradėdami naudoti mechanizmą.

Neišmeskite senų akumuliatorių, elektros ir elektroninės įrangos atliekų kartu su nerūšiuotomis komunalinėmis atliekomis. Seni akumuliatoriai, elektros ir elektroninės įrangos atliekas privaloma surinkti atskirai. Senos baterijos, akumuliatoriai ir šviesos šaltinių atliekos turi būti pašalinti iš įrangos. Kur rasti surinkimo ir perdirbimo punktą ir kaip tinkamai utilizuoti seną įrenginį, kreipkitės į vietos valdžios įstaigą ar pardavėją. Atsižvelgiant į vietos teisės aktus, mažmenininkai gali būti įpareigoti nemokamai priimti atgal senus akumuliatorius ir elektros bei elektroninės įrangos atliekas. Prisidėdami prie pakartotinio senų akumuliatorių ir elektros bei elektroninės įrangos atliekų panaudojimo ir perdirbimo padedate mažinti žaliavų poreikį. Senuose akumuliatoriuose, ypač tuose, kuriuose yra ličio, elektros ir elektroninės įrangos atliekose yra vertingų ir perdirbimui tinkamų medžiagų, kurios gali turėti neigiamą poveikį aplinkai ir žmonių sveikatai, jei nėra šalinamos aplinkai nekenksmingu būdu. Ištrinkite senuose prietaisuose esančius asmens duomenis, jei tokių buvo.



Ketassae juures on peetud esmatahtsaks selle ohutust, töövõimet ja töökindlust.

OTSTARBEKOHANE KASUTAMINE

Ketassaag on mõeldud kasutamiseks täiskasvanutele, kes on lugenud läbi selles kasutusjuhendis olevad juhised ja hoiatused ning saavad neist aru, ja kes suudavad oma tegevuse eest vastutada.

Toode on mõeldud puidusse või sarnastesse materjalidesse maksimaalselt 45 mm sügavuste piki- ja ristlõigete tegemiseks. Tootega saab teha sirglõikeid või kaldlõikeid vahemikus 0 ja 50 kraadi. Kasutamise ajal peab saetald toorikuga kokku puutuma. Tööriista tohib kasutada ainult kuivas, hästi valgustatud ja ventileeritud töökohas.

Kasutamise ajal hoitakse toodet käes. Toodet tohib kinnitada tööpingi külge vaid siis, kui selle teostamiseks on olemas sae tootja konkreetsed juhised. Ärge kasutage metalli või müüritise lõikamiseks.

Ärge kasutage seadet ühelgi muul viisil kui mainitud sihtotstarbeks. Tööoperatsiooniks mitte ettenähtud elektritööriista kasutamine võib tekitada ohtliku olukorra.

⚠ HOIATUS

Lugege läbi kõik mehaanilise tööriista kohta esitatud ohuhoiatused ning tutvuge tööriista jooniste ja tehniliste andmetega. Allpool esitatud hoiatuste ja juhiste eiramise puhul on oht saada elektrilööki või raskeid kehavigastusi ning/või tekitada tulekahju.

Hoidke kõik hoiatused ja juhised edaspidiseks juhendumiseks alles.

KETASSAE OHUTUSNÕUDED

SAAGIMINE

⚠ OHT.

Hoidke käed saagimispiirkonnast ja saekettast eemal. Hoidke oma teist kätt lisakäepidemel või mootori korpusel. Kui saagi hoida kahe käega, siis ei saa oma käsi ohtu seada.

- **Ärge sirutage oma kätt tooriku alla.** Kaitse ei saa teid kaitsta saeketta eest tooriku all.
- **Reguleerige lõikesügavus välja vastavalt tooriku paksusele.** Tooriku alt peaks saeketas välja paistma vähem kui ühe hamba kõrguse võrra.
- **Ärge mingil juhul hoidke lõigatavat detaili oma käes või jala peal.** Kinnitage toorik kindlale alusele. Kinnitamine on väga oluline selleks, et vältida kehaga kokkupuutumise või haakumise ohtu ja kontrolli kaotamist sae üle.
- **Töötamisel kohtades, kus lõikeriist võib kokku puutuda varjatud elektrijuhtmetega, hoidke tööriista kinni ainult isoleeritud käepidemetest.** Pinge all olevate juhtmetega kokku puutumisel jäävad tööriista isoleerimata metallosad pinge alla ja kasutaja võib saada elektrilöögi.

- **Pikisaagimisel kasutage alati juhtjoonlauda või servajuhikut.** Sellega paraneb lõiketäpsus ja väheneb võimalus saeketta kinnijäämiseks.
- **Kasutage ainult õiget mõõtu ja õige (saeketta mitte teemantketta) völliavaga saekettast.** Sae kinnitusedetailidega mittesobivad saekettad pöörlevad ekstsentriliselt ja põhjustavad sellega kontrolli kadumist sae üle.
- **Ärge kasutage vigastatud või mittesobivaid saeketta äärikuid või polti.** Ainult komplektis olevad saeketta äärikud ja polt on sellele saele sobivad ning need tagavad optimaalse tootluse ja tööohutuse.

TAGASILÖÖK JA SELLEGA SEOTUD HOIATUSED.

- Täiendavad ohutuseeskirjad kõikidele saagidele Tagasilöövide põhjused ja juhised nende vältimiseks; tagasilöökk on saeketta ootamatu reaktsioon, mis on tingitud kinnijäämisest, haardumisest või ekstsentrilisusest ja põhjustab sae toorikust väljatõusmist kasutaja poole;
- kui saeketas on kinni jäänud või haardunud saetee kitsenemise tõttu, siis saeketas seiskub ja mootori jõumoment paiskab sae kiiresti tagasi kasutaja suunas;
- kui saeketas saetees vändub või sellest hõlbib, siis võib saeketta hamba tagaserv siseneda puidu ülapiinna sisse ja põhjustada saeketta saetee üleülestõusmise ning paiskuda kasutaja suunas.

Tagasilöökk on sae väära kasutamise, ebaõigete töövõtete või tööks mittevastavate töötingimuste tulemus ja seda saab vältida allpool esitatud ettevaatusabinõude rakendamisega.

- **Hoidke sae mõlemast käepidemest tugevasti kinni ja seadke käsivarred tagasilööggijõududele vastuvõtmiseks sobivasse asendisse.** Seiske saeketta kõrval, mitte saeketta suunas. Tagasilöökk võib põhjustada sae tagasipaikumise, aga kasutaja saab õiged ettevaatusabinõusid rakendades tagasilööggijõudusid siiski hallata.
- **Kui saeketas jääb kinni või lõikamine mingil muul põhjusel katkeb, vabastage lüliti ja hoidke saagi liikumatuna tooriku sees seni kui saeketas täielikult seiskub.** Ärge püüdke võtta lõikeketast toorikust välja või tõmmata saagi tagasi saeketta liikumise ajal, muidu võib ilmneda tagasilöökk. Uurige saeketta kinnijäämise põhjus välja ja võtke meetmeid selle kõrvaldamiseks.
- **Kui tooriku sees oleva sae uuesti käivitata, seadke saeketas saetee teljele ja kontrollige, et saehambad ei ole tooriku materjalis kinni.** Kui saeketas on sae uuesti käivitamisel kinni, siis võib saag üles tõusta või anda toorikult tagasilöögi.
- **Toetage suuri plaate, et minimeerida ketta kinnijäämise ning tagasilöögi riski.** Suurel plaadidel on kalduvus oma raskuse all läbi vajuda. Toed tuleb paigutada paneeli alla, mõlemale küljele lõikejoone lähedale ja paneeli äärte alla.
- **Ärge kasutage nüri või vigastatud saekettast.** Teritamata või valesti paigaldatud saekettad lõikavad kitsa saetee, mis põhjustab ülemäärast hõõrdumist, saeketta kinnijäämist ja tagasilööki.

- **Saeketta sügavuse ja kalde reguleerimishoovad tuleb enne lõikamise alustamist tugevasti ning kindlalt kinni keerata.** Kui saeketta seadistamise seadised saagimise ajal liiguvad, siis võib saeketas kinni jääda või anda tagasilöögi.
- **Olge olemasoleva seina sisse või teistesse varjatud kohtadesse lõikamisel eriti ettevaatlik.** Saeketta väljalatav osa võib lõikuda tundmatu objekti sisse ja põhjustada tagasilöögi.

ALUMISE KAITSE FUNKTSIOONID

- **Enne kasutamist kontrollige, et alumine kaitse sulgub nõuetekohaselt. Ärge kasutage saagi, kui alumine kaitse vabalt ei liigu ja koheselt ei sulgu. Ärge kinnitage või siduge alumist kaitset kunagi avatud asendisse.** Kui saag kukub kogemata maha, siis võib alumine kaitse kõverduda. Tõstke alumine kaitse tagastushoovast haarates üles ja veenduge, et see liigub vabalt ning ei puuduta saeketast ega mõnda muud osa mitte ühegi nurga all ega lõikesügavusel.
- **Kontrollige üle alumise kaitse vedru. Kui kaitse ja vedru nõuetekohaselt ei tõõta, siis tuleb need enne kasutamist parandada.** Vigastatud osad, kleepunud sadestis ja kogunenud tolm võivad muuta alumise kaitse liikumise aeglaseks.
- **Alumist kaitset tohib käsitsi tõsta vaid erilõigete, näiteks avade ning mitmes tasapinnas olevate lõigete saagimisel.** Tõstke alumine kaitse tagastushoovast üles ja niipea, kui saeketas materjalsisse siseneb, vabastage alumine kaitse. Kõikide muude lõigete saagimisel peab laskma alumisel kaitasel automaatselt liikuda.
- **Jälgige alati, et alumine kaitse katab saeketast selle tööpingile või pörandale asetamisel.** Kaitsmata tühikäigul töötav saeketas põhjustab sae tagurpidi liikumahakkamist, lõigates kõike, mis teele jääb. Olge ettevaatlik ja võtke arvesse aega, mille jooksul saeketas pärast lüliti vabastamist peatub.

TÄIENDAVAD OHUTUSJUHISED

- **Seadme kasutamisel tekkiv tolm võib olla tervisele ohtlik, kergsüttiv ja plahvatusohtlik. Ärge hingake tolmu sisse.** Kasutage tolmueraldussüsteemi ja kandke sobivat tolmumaski. Eemaldage kogunenud tolm täielikult, nt tolmuiimejaga.
- **Ärge kasutage abrasiivlõikeketaid.**
- **Vältige lõikeketta teraostete ülekuumenemist. Ärge kasutage nürvi või vigastatud saeketast.** Ärge kasutage töötamisel liigset jõudu.
- **Ärge kasutage saekettaid, mille läbimõõt on suurem või väiksem kui soovitatud.**
- **Kandke kuulmise kaitsevahendeid.**
- **Kinnitage toorik pitskruviga.** Kinnitamata toorik võib põhjustada raske kehavigastuse või tekitada varakahju.
- **Vaadake lõigatav materjal hoolikalt üle võõrkehade - näiteks naelad, kruvid, klambrid - suhtes, olge eriti tähelepanelik kui puitu taaskasutate.** Kui naelad, kruvid, klambrid või sarnased võõrkehad sattuvad

lõikekettaga kokkupuutesse, siis saab saag kahjustada ja operaator või kõrvalseisjad võivad saada raske kehavigastuse.

- **Ärge puudutage saeketast vahetult pärast töö lõpetamist.** Saeketas kuumeneb saagimise ajal.
- **Kasutage vaid märgistusele vastava läbimõõduga lõiketega.**
- **Tehke kindlaks, milline on õige saeketas materjali lõikamiseks.**
- **Kasutage vaid selliseid saekettaid, mille kiirus on võrdne või suurem kui tööriistale märgitud kiirus.**
- **Kasutage üksnes tootja poolt soovitatud puidule ja analoogsetele materjalidele mõeldud saekettaid, mis vastavad standardile EN 847-1.**
- **Kandke tolmumaski.**
- **Tööriista ümbritseva keskkonna temperatuur töö ajal jääb vahemikku 0 °C–40 °C.**
- **Tööriista ümbritseva keskkonna temperatuur säilituse ajal on vahemikus 0 °C–40 °C.**
- **Selle laadimissüsteemi soovitatav ümbritseva keskkonna temperatuur laadimise ajal on vahemikus 10 °C–38 °C.**

AKU LISAOHUTUSJUHISED

⚠ HOIATUS

Et vähendada tulekahju ja kehaliste vigastuste ohtu ning lühisest tulenevat toote kahjustamist, ärge kunagi kastke tööriista, akut või laadijat vedelikesse ega laske neil vedelikega kokku puutuda. Korrodeeruvad või elektrit juhtivad vedelikud, nagu soolvesi, teatud kemikaalid ja pleegitusained või pleegitusaineid sisaldavad tooted, võivad põhjustada lühist.

- **Akut ümbritseva keskkonna temperatuur kasutamise ajal on vahemikus 0 °C–40 °C.**
- **Akut ümbritseva keskkonna temperatuur ladustamise ajal on vahemikus 0 °C–20 °C.**

LIITUMAKUDE TEISALDAMINE

Akude transportimisel juhinduge kasutuskoahas kehtivatest ja riiklikest määrustest ja eeskirjadest.

Akude transportimisel alletevõtjate poolt järgige kõiki spetsiaalseid pakkimise ja tähistamise nõudeid. Veenduge, et akud ei satu kokkupuutesse teiste akude ega voolu juhtivate materjalidega, transportimise ajal kaitske klemme voolu mittejuhtivate isoleerkatete või teibiga. Ärge transportige pragunenud või lekkivaid akusid. Küsige lisateavet transportettevõtelt.

JÄÄKRISKID

Isegi siis, kui seadet kasutatakse kirjeldatud viisil, ei ole võimalik kõrvaldada kõiki jääkriskide mõjureid. Töötamise ajal võivad tekkida järgmised ohud, millele operaator peab pöörama erilist tähelepanu.

- Tagasilöögist põhjustatud vigastus.
 - Lugege selles käsiraamatus toodud materjal läbi ja veenduge, et saate sellest aru.
- Vibratsioonist põhjustatud kehavigastus
 - Piirake kokkupuudet. Consulte el apartado "Reducción De Riesgos".
- Tolmust põhjustatud kehavigastus
 - Kandke alati silmakaitsevahendeid. Kandke tolmutmaski, millel on ettenähtud filtrid, mis kaitsevad materjalist tekkiva tolmu ja abrasiivmaterjalide peenosakeste eest. Ärge töökohal sööge, jooge ega suitsetage. Tagage töökohal nõuetekohane ventilatsioon.
- Elektriööko
 - Lõiketera võib sattuda kokkupuutesse varjatud juhtmestikuga ja seadme osad satuvad pingele alla. Hoidke seadet alati ettenähtud käepidemetest ja olge ettevaatlik varjatud kaablite suhtes, kui teete sisselõikeid seintesse ja põrandatesse.

MÄRKUS: Avade puurimisel seintesse, põrandatesse olge ettevaatlik, et vältida kaableid, gaasi- ja veetorstikke.

- Saelehega kokkupuutest tingitud kehavigastus
 - Saelehed on väga teravad ja kuumenevad kasutamise ajal. Kandke saelehtede vahetamise ajal kaitsekindaid. Hoidke käed alati lõikamispiirkonnast eemal. Ärge mingil juhul hoidke lõigatavat detaili oma käes või jala peal. Võimaluse korral kinnitage toorik kruustangide vahele.

RISKI ALANDAMINE

Teadaolevalt võib käsitööriistade kasutamine põhjustada mõnedel inimestel seisundit, mida nimetakse Raynaud' sündroomiks. Los síntomas pueden incluir hormigueo, entorpecimiento y decoloración de los dedos, generalmente aparentes cuando tiene lugar una exposición al frío. Nende sümptomite puhul tuleb hoiduda külmast ja niiskusest, dieedist ning suitsetamisest ja kasutada õigeid töövõtteid. Vibratsiooni mõju vähendamiseks tuleb rakendada järgmisi abinõusid.

- Külma ilmaga hoidke oma keha soe. Kandke kindaid, et hoida oma käed ja randmed soojad. Uuringud näitavad, et Raynaud's Syndrome ilmneb põhiliselt külma ilmaga.
- Pärast külmas töötamist tehke harjutusi, et verevarustust kiirendada.
- Tehke regulaarselt töövaheaegasi. Piirake tööperioodi pikkust.

Kui ilmnevad haigustunnused, lõpetage kohe töö ja pöörduge arsti poole.

⚠ HOIATUS

Seadme pikaajalisel kasutamisel võite saada kehavigastusi või vigastused võivad süveneda. Seadme kasutamisel pika aja jooksul tuleb teha korralisi vaheaegasi.

ÕPPIGE OMA TOODET TUNDMA

Vt lk 109.

1. Külghukiku kinnitusnupp
2. Kaldenurga reguleernupp
3. Spindli lukustusnupp
4. Isoleeritud haardepinnaga eesmine käepide
5. Vabastusnupp
6. Lülitlusnupp
7. Aku ühenduspesa
8. Tolmuärastusotsak
9. Seesmine äärik
10. Ketta äärik
11. Saeketta kinnituspolt
12. Kuuskantvõti
13. Lõikesügavuse reguleerimise lukustushoob
14. Külghukiku suunaja
15. Saeketas
16. Isoleeritud haardepinnaga käepide

HOOLDUS

⚠ HOIATUS

Seade ei tohi mingil juhul olla toitepinge all sel ajal kui kinnitate selle osi, teete reguleerimistingimusi, puhastate või hooldate seadet ning siis kui seda ei kasutata. Seadme elektrivõrgust lahtiühendamine väldib selle tahtmatu käivitumise, mis võib põhjustada raske kehavigastuse.

- Kasutage hooldamisel ainult tootja originaalvaruosi. Muude osade kasutamine võib tekitada ohuolukorra ja põhjustada seadme vigastumise.
- Vältige plastosade puhastamisel lahustite kasutamist. Enamik plaste on tundlikud kaubandusvõrgust saadaolevate lahustite suhtes ja võivad nende mõjul oma omadusi kaotada. Tolmust, õlist, määrdest ja muust mustusest puhastamiseks kasutage puhast riidelappi.
- Ärge laske plastosadel mitte mingil juhul sattuda kokkupuutesse auto pidurivedeliku, bensiini, bensiinipõhiste toodete, immutusõlidega või muude samalaadsete vedelikega. Kemikaalid võivad kahjustada, nõrgendada või hävitada plastiku.
- Töötamisel ja tolmu ärarühumisel kandke alati silmamaski või küljekaitsetega kaitseprille. Kui töötlemine on tolmu, siis kandke tolmutmaski.
- Kõik remonttööd tuleb lasta teha RYOBI volitatud hoolduskeskuses, et tagada masina ohutus ja töövoime.

MÄÄRIMINE

Kõik selle tööriista laagrid on tehases täidetud piisava hulga kvaliteetse määrdega, mis tagab tavatingimustes nende töövoime kogu kasutusea jooksul. Seetõttu ei ole täiendav määrimine vajalik.

Dizajn Vaše kružne pile počiva na prioritetima sigurnosti, visokih performansi i pouzdanosti.

NAMJENA

Kružnu pilu smiju koristiti isključivo punoljetne osobe koje su pročitale i razumjele upute i upozorenja u ovom priručniku i koje se mogu smatrati odgovornima za svoje postupke.

Proizvod je projektiran za uzdužno i poprečno rezanje drveta ili sličnih materijala do maksimalne dubine od 45 mm. Proizvod može praviti ravne i kose rezove u rasponu od 0 do 50 stupnjeva. Osnovica alata za vrijeme korištenja mora biti u kontaktu s radnim komadom. Pila je namijenjena korištenju isključivo u suhim, dobro osvijetljenim i prozračnim prostorima.

Proizvod je namijenjen za ručnu uporabu. Proizvod se ne smije montirati na radni stol osim ako proizvođač pile ne da posebne i specifične upute o tome kako to učiniti. Nemojte koristiti za rezanje metala ili zidova.

Nemojte koristiti proizvod na bilo koji drugi način od onog za koji je namijenjen. Korištenje električnog alata za radove drugačije od njegove namjene može dovesti do opasne situacije.

⚠ UPOZORENJE

Pažljivo pročitajte sva upozorenja, upute i specifikacije priložene uz alat i pogledajte crteže. Nepoštivanje svih uputa može dovesti do električnog udara, požara i / ili teške ozljede.

Spremite sva upozorenja i upute za buduće korištenje.

SIGURNOSNA UPOZORENJA ZA KRUŽNU PILU

POSTUPCI REZANJA

⚠ OPASNOST

Držite ruke dalje od područja rezanja i oštrice. Ruka kojom ne držite glavnu ručku alata mora držati pomoćnu ručku ili se nalaziti na karтеру motora. Tako ruke ne izlažete opasnosti da se nađu u zoni rezanja, odnosno na putu oštrici.

- **Ne posežite ispod izratka.** Podesite dubinu rezanja ovisno o debljini komada koji obrađujete.
- **Zupci oštrice ne smiju tijekom rezanja sasvim prelaziti komad koji obrađujete.** NIKAD komad koji obrađujete ne pridržavajte rukom ili između nogu.
- **Učvrstite ga na stabilni nosač. Osigurajte i stegnite radni komad na stabilnu podlogu.** Alat držite samo za izolirane i protuklizne dijelove kad radite na površini koja bi mogla sakriti električne žice ili kad se zbog posla kabel za napajanje može naći na putanji alata.
- **Kad izvodite radove na mjestima gdje pribor za rezanje može doći u kontakt sa skrivenim ožičenjem ili svojim vlastitim kabeleom, držite alat za izoliranu površinu za hvatanje.** Dodirivanje "žive" žice može izložiti metalne dijelove alata električnoj energiji i dovesti do strujnog udara na operatera.

- **Tako ćete poboljšati preciznost rezanja i izbjeći ćete savijanje oštrice.** Uvijek upotrebljavajte oštrice koje su svojom veličinom i oblikom prilagođene drvetu.
- **Oštrice koje nisu prilagođene osovini na koju se postavljaju neće se ispravno okretati te može doći do gubitka kontrole nad alatom.** Nikad ne upotrebljavajte vijke i podložne pločice koji su oštećeni ili neprilagođeni.
- **Podložne pločice i vijci osmišljeni su posebno za vaš model pile kako bi se postigli optimalna sigurnost i učinak.** Dodatna sigurnosna pravila za sve vrste pila

UPOZORENJA NA POVRTNI UDAR I DRUGE VEZANE OPASNOSTI:

- Kad se oštrica uklješti u drvo, oštrica se zakoči, a motor, koji se nastavi vrtjeti, izbacuje pilu u suprotnom smjeru od smjera rotacije oštrice, odnosno prema korisniku.
- Ako se oštrica savije ili je loše poravnata, zupci koji se nalaze u stražnjem dijelu oštrice mogu se zariti u površinu drveta, što će prouzročiti nagli izlazak oštrice iz komada koji se obrađuje prema korisniku.
- Poskakivanje je dakle rezultat loše uporabe alata i/ili nepravilnih postupaka ili uvjeta piljenja.

Može ga se izbjeći ako se poštuju neke mjere opreza.

- **Čvrsto držite pilu dvjema rukama i postavite ih tako da mogu kontrolirati eventualno poskakivanje.** Dok radite, stojte s jedne strane pile, nikako u ravnini s oštricom. Poskakivanjem pila odjednom poleti prema natrag, no taj je pokret moguće kontrolirati ako korisnik to očekuje i pripremljen je.
- **Ako se oštrica uklješti ili ako morate iz bilo kojeg razloga prekinuti s piljenjem, otpustite otonac i držite pilu u komadu koji obrađujete sve dok se oštrica sasvim ne prestane okretati.** Nikada ne pokušavajte ukloniti pilu iz izratka ili povlačiti pilu unatrag dok se oštrica miče ili može doći do povratnog udara. Ako se oštrica uklješti, potražite razlog tomu i poduzmite potrebne mjere kako se to ne bi ponovno desilo.
- **Prije nego što ponovno uključite pilu i nastavite s rezanjem, ispravno poravnajte oštricu s rezom pile na drvetu i provjerite da zupci ne dodiruju komad koji obrađujete.** Ako je oštrica uklještena u komadu koji obrađujete, postoji opasnost od poskakivanja kad uključite pilu.
- **Pridržavajte duge komade koje obrađujete kako biste izbjegli da se oštrica uklješti i sveli tako opasnost od poskakivanja na najmanju moguću mjeru.** Dugi komadi koje obrađujete znaju se saviti pod vlastitom težinom. S dvije strane komada koji obrađujete možete postaviti nosače i to u blizini linije rezanja i na krajevima komada.
- **Ne upotrebljavajte tupe ili oštećene oštrice.** Nenaoštrene oštrice ili oštrice koje su loše postavljene proizvest će tanki trag pile i izazvati pretjerano trenje oštrice te tako i veću opasnost od savijanja ili poskakivanja.
- **Prije nego što započnete s rezanjem, provjerite jesu li gumbi za podešavanje dubine i nagiba pravilno**

blokirani. Ako dolazi do promjene podešavanja položaja oštrice tijekom rezanja, postoji opasnost da se oštrica uklješti i može doći do poskakivanja.

- **Budite izrazito oprezni kada pilite u postojećim zidovima ili u područjima u kojima ne vidite rez.** Oštrica bi mogla udariti u skrivene elemente, što bi moglo prouzročiti poskakivanje.

SMANJENA FUNKCIJA ZAŠTITE

- **Prije svake uporabe provjerite da donji štitnik ispravno prekriva oštricu. Ne upotrebljavajte pilu ako se donji štitnik oštrice ne može slobodno pomicati i ako se ako se odmah ne poklopi na oštricu. Donji štitnik oštrice nikad ne učvršćujte i ne pričvršćujte kad je u otvorenom položaju.** Kad bi pila slučajno pala, donji štitnik oštrice mogao bi se savnuti. Podignite donji štitnik oštrice pomoću ručice i provjerite može li se njime rukovati bez poteškoća te da ne dodiruje ni oštricu ni bilo koji drugi dio bez obzira na kut ili odabranu dubinu rezanja.
- **Provjerite je li opruga donjeg štitnika oštrice u dobrom stanju i radi li ispravno. Ako štitnik oštrice ili opruga ne rade ispravno, dajte ih popraviti prije ponovne uporabe pile.** Donji štitnik može raditi polagano uslijed oštećenja dijelova, naslaga lijepila ili nakupina ostataka.
- **Donji štitnik može se ručno uvući samo za posebne rezove kao što su „prividni rezovi“ i „složeni rezovi“.** Podignite donji štitnik oštrice pomoću ručice. Zatim, čim oštrica uđe u komad koji obrađujete, otpustite donji štitnik oštrice. Za sve ostale vrste piljenja, donji štitnik oštrice automatski se postavlja na mjesto.
- **Uvijek prije postavljanja pile na postolje ili na pod provjerite prekriva li donji štitnik oštrice dobro prekriva oštricu.** Ako oštrica nije ispravno prekrivena, po inerciji se može okrenuti i rezati što god joj se nađe na putu. Imajte na umu da se oštrica nastavi vrtjeti neko vrijeme nakon zaustavljanja motora.

DODATNA SIGURNOSNA UPOZORENJA

- **Prašina proizvedena tijekom korištenja ovog proizvoda može biti štetna za zdravlje, zapaljiva ili eksplozivna. Nemojte udisati prašinu.** Koristite sustav za izdvajanje prašine i nosite prikladnu zaštitnu masku za prašinu. Temeljito uklonite nakupine prašine, npr. pomoću usisavača.
- **Nikad ne upotrebljavajte brusni disk.**
- **Izbjegavajte pregrijavanje vrhova oštrice. Ne upotrebljavajte tupe ili oštećene oštrice.** Nemojte alat koristiti iznad njegovih mogućnosti.
- **Nemojte koristiti oštrice većeg ili manjeg promjera od preporučenog.**
- Nosite zaštitu za sluh.
- **Spojite uradak s uređajem za spajanje.** Odspojeni izratci mogu uzrokovati ozbiljne ozljede i oštećenje.
- **Temeljito provjerite materijal koji namjeravate rezati, posebice kada koristite reciklirano drvo, za strane**

predmete poput čavala, vijaka, spojnica. Ako čavli, vijsci, spajalice ili slični premeti dođu u dodir s oštricom tijekom rezanja, pila će se oštetiti te može doći do ozbiljnih ozljeda operatera ili drugih osoba.

- **Ne dodirujte list pile odmah nakon piljenja.** List pile postaje vruć tijekom piljenja.
- Koristite samo promjer(e) listova pile u skladu s oznakama.
- Pronađite odgovarajući list pile za materijal koji ćete rezati.
- Koristite samo listove pile na kojima se nalazi oznaka brzine koja je jednaka brzini označenoj na alatu ili veća od nje.
- Koristite samo list pile koji preporučuje proizvođač, koji je usklađen s normom EN 847-1, ako je namijenjen za drvo i analogne materijale.
- Nosite masku protiv prašine.
- Raspon temperatura okoliša za alat za vrijeme rada je između 0 °C i 40 °C.
- Raspon temperatura okoliša za pohranu alata je između 0 °C i 40 °C.
- Preporučena temperatura okoliša za sustav punjača za vrijeme punjenja je između 10 °C i 38 °C.

DODATNA SIGURNOSNA UPOZORENJA ZA BATERIJU

UPOZORENJE

Zbog izbjegavanja opasnosti od požara jednim kratkim spojem, opasnosti od ozljeda ili oštećenja proizvoda, alat, izmjenjivi akumulator ili napravu za punjenje ne uronjavati u tekućine i pobrinite se za to, da u uređaje ili akumulator ne prodiru nikakve tekućine. Korozirajuće ili vodljive tekućine kao slana voda, određene kemikalije i sredstva za bijeljenje ili prozvodni koji sadrže sredstva bijeljenja, mogu prouzročiti kratak spoj.

- Raspon temperatura okoliša za bateriju za vrijeme uporabe je između 0 °C i 40 °C.
- Raspon temperatura okoliša za pohranu baterije je između 0 °C i 20 °C.

TRANSPORTIRANJE LITIJUMSKIH BATERIJA

Transportirajte bateriju u skladu s lokalnim i nacionalnim pravilima i zakonima.

Slijedite sve specijalne zahtjeve na pakiranju i naljepnicama prilikom transporta baterije od treće strane. Osigurajte da baterija ne može doći u kontakt s drugim baterijama ili provodnim materijalima tijekom transporta tako da zaštitite izložene priključke s izolacijom, kapticama koje ne provode energiju ili trakom. Nemojte transportirati baterije koje su polomljene ili cure. Provjerite kod kompanije koja transportira za daljnju pomoć.

PREOSTALE OPASNOSTI

Čak i kad je proizvod korišten kao što je prethodno opisano, još uvijek nije moguće potpuno isključiti ostale čimbenike opasnosti. Može doći do sljedećih opasnosti prilikom korištenja i operater mora obratiti posebnu pozornost kako bi izbjegao sljedeće:

- Povrede uzrokovane povratnim udarom
 - Pročitajte s razumijevanjem informacije u ovom priručniku.
- Ozljeđe uzrokovane vibracijom
 - Ograničite izloženost. Pogledajte „Smanjenje Opasnosti”.
- Ozljeđe uzrokovane prašinom
 - Uvijek nosite zaštitna sredstva za oči. Nosite odgovarajuću masku s prikladnim filterima koji štite od prašine. Nemojte jesti, piti ili pušiti u radom području. Osigurajte odgovarajuću ventilaciju radnog mjesta.
- Strujni udar
 - Oštrica može dotaknuti skrivene žice, uzrokujući da djelovi proizvoda dođu pod napon. Uvijek proizvod držite za ručke i vodite brigu kod rezanja u zidovima i podovima gdje može biti skrivenih kabela.

NAPOMENA: Kada radite u zidovima, podovima ili stropovima, pazite da izbjegnute električne kabele, cijevi za plin i vodu.

- Ozljeđe od kontakta s pločom za rezanje
 - Oštrice su vrlo oštre i postaju vrlo vruće tijekom korištenja. Nosite rukavice tijekom izmjene oštrica. Držite ruke dalje od područja rezanja. Učvrstite ga na stabilni nosač. Pričvrstite izradak gdje got je moguće.

SMANJENJE OPASNOSTI

Prijavljeno je da vibracije alata kod određenih pojedinaca mogu doprinijeti stanju pod nazivom Raynaud's Syndrome. Simptomi mogu uključivati trnce, ukočenost i bjelinu prstiju, obično uočljivo po izlaganju hladnoći. Smatra se da nasljedne osobine, izlaganje hladnoći i vlazi, dijeta, pušenje i radni postupci pridonose razvoju ovih simptoma. Postoje mjere koje operator može poduzeti kako bi smanjio moguće učinke vibracije:

- Održavajte svoje tijelo toplim u hladnim vremenskim uvjetima. Kad radite s uređajem nosite rukavice kako biste ruke i zglobove održavali toplima. Prijavljeno je da je hladnoća glavni čimbenik koji doprinosi Raynaud's Syndrome.
- Nakon svakog perioda rada vježbajte kako biste povećali cirkulaciju krvi.
- Uzimajte česte stanke u radu. Ograničite količinu izlaganja po danu.

Ako osjetite neke od simptoma ovog stanja, odmah prekinite korištenje i obratite se svome liječniku vezano uz ove simptome.

⚠ UPOZORENJE

Ozljeđe mogu biti uzrokovane ili izazvane produljenim vremenskim razdobljem korištenja alata. Kada koristite bilo koji alat dulje vremena, osigurajte da uzimate povremene stanke.

UPOZNAJTE SVOJ PROIZVOD

Pogledajte stranicu 109.

1. Rubni usmjerni gumb
2. Gumb za podešavanje nagiba
3. Gumb za zaključavanje osovine
4. Prednja drška, izolirana površina za hvatanje
5. Blokada otonca
6. Sklopka za pokretanje
7. Ulaz za bateriju
8. Spoj cijevi za prešinu
9. Unutarnja prirubnica
10. Vanjska prirubnica
11. Vijak za oštricu
12. Ključ sa šesterkutnom glavom
13. Poluga za blokiranje podešene dubine
14. Letva za usmjeravanje ruba
15. Oštrica
16. Drška, izolirana površina za hvatanje

ODRŽAVANJE**⚠ UPOZORENJE**

Proizvod nikad ne smije biti priključen na izvor napajanja kada sastavljate dijelove, vršite podešenja, čistite, izvodite održavanje ili kada se proizvod ne koristi. Iskapčanje proizvoda sprječava slučajno pokretanje koje može dovesti do ozbiljnih osobnih ozljeda.

- Prilikom servisiranja, koristite samo originalne zamjenske dijelove od proizvođača. Korištenje nekih drugih dijelova može dovesti do opasnosti ili uzrokovati oštećenje alat.
- Prilikom čišćenja plastičnih dijelova izbjegavajte koristiti kemijska sredstva. Većina plastika je podložna različitim vrstama komercijalnih kemijskih sredstava za čišćenje i mogu se oštetiti prilikom njihovog korištenja. Za uklanjanje nečistoća, prašine, ulja masti i drugog upotrebljavajte čistu krpu.
- Nikada ne dopustite kontakt plastičnih dijelova s tekućinom za kočenje, benzinom, proizvodima na bazi petroleja, sredstvima za odmašćivanje, idr. Ti kemijski proizvodi sadrže tvari koje mogu oštetiti, oslabiti ili uništiti plastiku.
- Uvijek tijekom rada s električnim alatom ili prilikom ispuhivanja prašine nosite zaštitne naočale i zaštitne naočale s bočnim štitnicima. Ako radite u prašini nosite i masku za zaštitu od prašine.
- Radi veće sigurnosti i pouzdanosti, sve popravke treba izvoditi ovlašteni RYOBI servisni centar.

PODMAZIVANJE

Svi ležajevi u ovom proizvodu podmazani su s dovoljnom količinom visokokvalitetnog sredstva za podmazivanje za životni vijek proizvoda u normalnim radnim uvjetima. Stoga nije potrebno daljnje podmazivanje.

SIMBOLI



Sigurnosno upozorenje



Istosmjerna struja



Drvo



Nemojte rezati metale



Nosite zaštitu za vid



Opasnost! Oštra oštrica.



Nemojte izlagati kiši



Širina reza



Zubi pile



Molimo da pažljivo pročitate upute prije pokretanja stroja.

Otpadne akumulatore, otpadnu električnu i elektroničku opremu nemojte odlagati kao nesortirani komunalni otpad. Otpadni akumulatori i otpadna električna i elektronička oprema moraju se prikupljati odvojeno. Otpadne baterije, otpadni akumulatori i izvori svjetla moraju se ukloniti iz opreme. Od lokalnih nadležnih tijela ili trgovca zatražite savjete koji se odnose na recikliranje i mjesto za skupljanje otpada. U skladu s lokalnim propisima, trgovci u maloprodaji imaju obvezu besplatnog preuzimanja otpadnih baterija i otpadne električne i elektroničke opreme. Vaš doprinos ponovnoj upotrebi i recikliranju otpadnih baterija i otpadne električne i elektroničke opreme pomaže u smanjenju potrebe za sirovinama. Otpadne baterije, osobito one koje sadrže litij i električna i elektronička oprema sadrži i vrijedne materijale koje je moguće reciklirati, koji mogu negativno utjecati na okoliš i ljudsko zdravlje, ako se ne uklanja na način ekološki sukladan s okolišem. Izbršite osobne podatke iz otpadne opreme, ako ih ima.



Pri zasnovi te krožne žage smo se prednostno osredotočali na varnost, učinkovitost in zanesljivost.

NAMEN UPORABE

Krožno žago lahko uporabljajo samo odrasle osebe, ki so prebrale in razumejo navodila ter opozorila v tem priročniku ter so sposobne prevzeti odgovornost za svoja dejanja.

Izdelek je zasnovan za paranje in prečno rezanje lesa ali podobnega materiala do največje globine 45 mm. Izdelek lahko ustvarja ravne ali poševne reze od 0 do 50 stopinj. Žago uporabljajte tako, da je osnova orodja v stiku z obdelovancem. Žago je dovoljeno uporabljati samo na suhem ter dobro osvetljenem in prezračenem mestu.

Izdelek je zasnovan za ročno uporabo. Izdelek ni namenjen za namestitve na delovni pult, razen če je ta način namestitve naveden v posebnih navodilih proizvajalca žage. Izdelka ne uporabljajte za rezanje kovin ali sten.

Izdelka ne uporabljajte na noben način, ki ni predpisan za to napravo. Uporaba električnega orodja za namene, ki so drugačni od tistih, za katere je bilo orodje zasnovano, lahko povzroči nevarne situacije.

⚠ OPOZORILO

Preberite vsa varnostna opozorila, navodila, ilustracije in specifikacije, ki so priložene temu električnemu orodju. Če ne upoštevate opozoril in navodil, lahko pride do električnega udara, ognja in/ali hudih poškodb.

Vsa opozorila in vsa navodila shranite za bodočo referenco.

VARNOSTNA OPOZORIILA ZA KROŽNO ŽAGO

METODE REZANJA

⚠ NEVARNOST

Roke vedno držite proč od območja žaganja in od rezila. Drugo roko držite na pomožnem ročaju ali na ohišju motorja. Če žago držite z obema rokama, ju rezilo ne more porezati.

- **Ne segajte pod obdelovanec.** Pod obdelovancem vas ščitnik ne more zaščititi pred rezilom.
- **Rezalno dolžino prilagodite debelini obdelovanca.** Pod obdelovancem se lahko vidi manj kot en cel zob rezila.
- **Kosa, ki ga režete, nikoli ne držite v rokah ali preko noge.** Obdelovanec pritrdite na stabilno podlago. Pomembno je, da dobro podprete obdelovanec in tako zmanjšate izpostavljenost telesa, zatikanje rezila ali izgubo nadzora.
- **Električno orodje držite pri delu za izolirane držalne površine.** Stik orodja z deli, ki so pod napetostjo, lahko povzroči, da so tudi kovinski deli električnega orodja pod napetostjo in izpostavijo uporabnika električnemu udaru.
- **Pri robnem odrezu vedno uporabljajte vzporedno vodilo ali ravno robno vodilo.** Na ta način bo rez

bolj natančen in zmanjšalo se bo tveganje, da pride do zatikanja rezila.

- **Vedno uporabljajte rezila s pravilno velikostjo in obliko (trikotno ali okroglo) odprtine za vpenjanje.** Če se rezila ne ujemajo z montažnimi elementi žage, je njihovo vrtenje ekscentrično, kar povzroči izgubo nadzora.
- **Nikoli ne uporabljajte poškodovanih ali neustreznih podložk za rezilo ali sornika.** Podložke za rezila in sornik so posebej zasnovani za vašo žago, za njeno optimalno storilnost in varno delovanje.

VZROKI POVRTNIH UDARCEV IN POVEZANA OPOZORIILA:

- Odsunek je nenadna reakcija na zagozdeno, zataknjeno ali neoparjavno rezilo žage, zaradi katere se žaga, ki ni več pod nadzorom, dvigne navzgor in odskoči iz obdelovanca proti delavcu.
- Če se rezilo zaradi zmanjšane širine reza zagozdi ali zatakne, se rezilo zaustavi. Obstaja nevarnost odboja naprave proti uporabniku.
- Če se rezilo zvije ali ni poravnano v rezu, lahko zobje zadnjega roba rezila zagrizajo v gornjo površino lesa in povzročijo, da rezilo zleze iz reza in odskoči nazaj proti delavcu.

Odsunek je posledica nepravilne uporabe žage in/ali nepravilnih postopkov ali pogojev delovanja ter ga lahko preprečimo z upoštevanjem ustreznih spodaj navedenih varnostnih predpisov.

- **Žago trdno držite z obema rokama in postavite roke tako, da se upirajo silam odsunka. Postavite se s strani rezila, vendar ne v liniji z rezilom.** Odsunek lahko povzroči, da žaga odskoči nazaj, vendar lahko delavec nadzira sile odsunka, če upošteva ustrezne varnostne ukrepe.
- **Če se rezilo zatika ali če iz nekega razloga prekinete rezanje, spustite stikalo in držite žago nepremično v obdelovancu, dokler se rezilo popolnoma ne zaustavi. Nikoli ne poskušajte odmakniti žage z obdelovanca ali povleči žago nazaj, ko se žagin list še vrti, saj lahko to privede do nevarnega povratnega udara.** Preglejte orodje in ustrezno ukrepajte, da odpravite vzrok zatikanja rezila.
- **Pri ponovnem zagonu žage v obdelovancu centrirajte rezilo žage v rezu in preverite, da se zobje žage niso zagozdili v material.** Če se rezilo zatika, se lahko pri ponovnem zagonu žage pomakne navzgor ali odsune iz obdelovanca.
- **Velike plošče podprite, da zmanjšate nevarnost zagozdenja ali odsunka rezila.** Velike plošče se rade upogibajo pod lastno težo. Na obeh straneh plošče postavite opornike, blizu črte reza in blizu roba plošče.
- **Ne uporabljajte topih ali poškodovanih rezil.** Nenabrušena in nepravilno vstavljena rezila delajo ozek rez, ki povzroči preveliko trenje, zatikanje in odsunek rezila.
- **Pred začetkom rezanja morajo biti vzvodi za nastavitve globine in nagiba rezila trdno in varno pritrdjeni.** Če se med rezanjem premakne nastavev rezila, lahko pride do zatikanja in odsunka.

- Pri žaganju v obstoječo steno ali druge nepregledne površine bodite posebej pazljivi. Štrleče rezilo lahko prereže predmete, kar lahko povzroči odsunek.

FUNKCIJA SPODNJEGA VAROVALA

- Pred vsako uporabo preverite ali se spodnji ščitnik dobro zapira. Ne uporabljajte žage, če se spodnji ščitnik ne premika prosto in se ne zapre takoj. Spodnjega ščitnika nikoli ne spnite ali spojite v odprtem položaju. Če žaga po nesreči pade, se spodnji ščitnik lahko upogne. Dvignite spodnji ščitnik z izvlečno ročico in preverite, ali se prosto premika in se ne dotika rezila ali nekega drugega dela v vseh kotih in globlinah reza.
- Preverite delovanje vzmeti spodnjega ščitnika. Če ščitnik in vzmet ne delujeta pravilno, ju morate pred uporabo servisirati. Nihajni ščitnik se lahko zaradi poškodovanih delov, ostankov smole ali žaganja zapira počasi.
- Nihajni ščitnik lahko odprete z roko le pri posebnih vrstah žaganja, npr. pri "potopnem žaganju" in "sestavljenem žaganju". Spodnji ščitnik dvignite z izvlečno ročico. Kakor hitro rezilo vstopi v material, spustite spodnji ščitnik. Pri vsakem drugem žaganju mora spodnji ščitnik delovati samodejno.
- Preden položite žago na mizo ali na tla, vedno pazite, da spodnji ščitnik pokriva rezilo. Nezaščiten zaustavljajoče se rezilo lahko povzroči vzvratno hojo žage, ki razreže vse, kar je na njeni poti. Zavedati se morate, da je potreben določen čas, da se rezilo zaustavi po sprostitvi stikala.

DODATNA VARNOSTNA OPOZORILA

- Prah, ki nastane ob uporabi tega orodja, je lahko škodljiv za zdravje, vnetljiv ali eksploziven. Ne vdihavajte prahu. Uporabljajte sistem odsesavanja prahu in nosite ustrezno masko za zaščito proti prahu. Odstranite nakopičeni prah, npr. s sesalnikom.
- Ne uporabljajte brusnih koles.
- Pazite, da se konice rezil ne pregrejejo. Ne uporabljajte topih ali poškodovanih rezil. Orodja ne preobremenjujte.
- Ne uporabljajte rezil večjega ali manjšega premera, kot je priporočen.
- Nosite zaščito za ušesa.
- Obdelovanc vpnite z vpenjalno napravo. Obdelovanci, ki niso vpeti, lahko povzročijo hude poškodbe in škodo.
- Material, ki ga boste rezali, temeljito pregledajte, predvsem kadar uporabljate recikliran les, saj so lahko prisotni tujki, kot so žebliji, vijaki in sponke. V primeru, da žebliji, vijaki, sponke ali podobni predmeti med rezanjem pridejo v stik z rezilom, se žaga poškoduje, upravljavec in ostale osebe pa se lahko hudo poškodujejo.
- Rezila žage se ne dotikajte takoj po rezanju. Med žaganjem se rezilo segreje.

- Uporabljajte samo rezila premerov, ki so v skladu z oznakami.
- Ugotovite ustrezno rezilo žage, ki ga je treba uporabiti za material, ki ga boste žagali.
- Uporabljajte samo rezila žag, na katerih je navedena hitrost, ki je enaka ali višja od hitrosti, navedeni na orodju.
- Za žaganje lesa in enakovrednih materialov uporabljajte izključno rezila žage, ki jih priporoča proizvajalec in so v skladu s standardom EN 847-1.
- Nosite protiprašno masko.
- Temperatura okolja delovanja orodja je med 0 °C in 40 °C.
- Temperatura okolja shranjevanja orodja je med 0 °C in 40 °C.
- Priporočena temperatura okolja za polnilni sistem med polnjenjem je med 10 °C in 38 °C.

DODATNA VARNOSTNA OPOZORILA ZA BATERIJO

⚠ OPOZORILO

V izogib, s kratkim stikom povzročene nevarnosti požara, poškodb ali okvar na proizvodu, orodja, izmenljivega akumulatorja ali polnilne naprave ne potaplajte v tekočine in poskrbite, da ne bo prihajalo do vdora tekočin v naprave in akumulatorje. Korozivne ali prevodne tekočine, kot so slana voda, določene kemikalije in belila ali proizvodi, ki le ta vsebujejo, lahko povzročijo kratek stik.

- Temperatura okolja za baterijo (izdelek) je med 0 °C in 40 °C.
- Temperatura okolja za shranjevanje baterije je med 0 °C in 20 °C.

PREVAŽANJE LITIJEVIH AKUMULATORJEV

Akumulator prevažajte v skladu z lokalnimi in državnimi uredbami in predpisi.

Upošteвайте vse posebne zahteve glede pakiranja in označevanja, kadar prevoz opravlja tretja oseba. Zagotovite, da akumulatorji med prevozom ne morejo priti v stik z drugimi akumulatorji ali prevodnimi materiali, tako da zaščitite izpostavljene konektorje z neprevodnimi izolacijskim pokrovčki ali trakom. Ne prevažajte poškodovanih akumulatorjev oz. akumulatorjev, ki puščajo. Za nadaljnje informacije se obrnite na posredništvo.

PREOSTALA TVEGANJA

Nekateri preostalih dejavnikov tveganja ni mogoče povsem odpraviti, tudi če ta izdelek uporabljate v skladu z navodili. Med uporabo se lahko pojavijo nekatere nevarnosti, upravljavec pa naj bo pozoren na naslednje:

- Poškodbe zaradi povratnega sunka
 - Preberite informacije v tem priročniku in se prepričajte, da jih razumete.

- Poškodbe zaradi vibracij
 - Omejite izpostavljenost. Glejte »Zmanjševanje Tveganj«.
- Poškodbe zaradi prahu
 - Vedno nosite zaščito za oči. Nosite ustrezno masko za zaščito pri izpostavljenosti prahu, ki lahko zaščiti pred prahom, ki nastaja pri obdelovanju materiala. V delovnem območju je prepovedano jesti, piti in kaditi. Zagotovite primerno prezračevanje prostora.

■ Električni udar

- Reziilo lahko pride v stik s skrito napeljavo, zaradi česar lahko določeni deli izdelka podivjajo. Izdelek vedno držite za označene ročaje in bodite previdni pri rezanju v stene in tla, kjer se lahko nahajajo kabli.

OPOMBA: Pri delu v stenah, stropih ali tleh pazite, da se izognite električnim kablom ali plinskimi ali vodovodnim napeljavam.

■ Poškodba zaradi stika z rezilom

- Rezila so zelo ostra in med uporabo postanejo vroča. Ko zamenjujete rezila, nosite rokavice. Z rokami nikoli ne posegajte v območje rezanja. Kosa, ki ga režete, nikoli ne držite v rokah ali preko noge. Obdelovanec vedno, kadar je mogoče, fiksirate.

ZMANJŠANJE TVEGANJA

Poročali so že, da lahko vibracije ročnih orodij pri nekaterih posameznikih pripomorejo k razvoju Raynaudovega sindroma. Simptomi so lahko mravljinci, otrplost in pobledele prsti, kar je običajno vidno, kadar je oseba izpostavljena mrazu. Dedni dejavniki, izpostavljenost mrazu in vlagi, dieta, kajenje in delovne navade naj bi pripomogle k razvoju teh simptomov. Za zmanjšanje učinkov vibracij lahko upravljavec upošteva naslednja navodila:

- Poskrbite, da bo vaše telo na mrazu toplo. Med upravljanjem nosite rokavice in tako ohranjajte toploto vaših dlani in zapestij. Kot poročajo, je mraz glavni dejavnik, ki prispeva k Raynaudovemu sindromu.
- Po vsakem obdobju upravljanja naprave telovadite in tako pospešite krvni obtok.
- Pogosto si vzemite odmor. Omejite dnevno količino izpostavljenosti.

Če zaznavate kakršnekoli simptome takšnega stanja, takoj prenehajte z uporabo naprave in se posvetujte z zdravnikom.

⚠ OPOZORILO

Zaradi daljše uporabe orodja lahko pride do poškodb oz. se morebitne poškodbe poslabšajo. Kadar orodje uporabljate dalj časa, si večkrat vzemite odmor.

SPOZNAJTE SVOJ IZDELEK

Glej stran 109.

1. Nastavitveni gumb
2. Gumb za prilagoditev prirezovanja
3. Gumb za blokado vretena

4. Sprednji ročaj, izolirano držalo
5. Gumb za zaklep delovanja
6. Sprožilo stikala
7. Priklop za bateriji
8. Zglob odpraševalne cevi
9. Notranja prirobnica
10. Kolutna prirobnica
11. Vijak rezila
12. Šestrobi ključ
13. Ročica za zaklepanje prilagajanja globine
14. Kotno vodilo
15. Reziilo
16. Ročaj, izolirano držalo

VZDRŽEVANJE

⚠ OPOZORILO

Ko sestavljate dele, prilagajate, čistite ali vzdržujete orodje, ali ko izdelka ne uporabljate, ga nikoli ne imejte priključenega na vir napajanja. Če izdelek odklopite, preprečite nenamerni zagon, ki bi lahko povzročil hude poškodbe.

- Za servisiranje uporabljajte samo nadomestne dele originalnega proizvajalca. Uporaba drugih delov lahko pomeni tveganje ali povzroči škodo na izdelku.
- Pri čiščenju plastičnih delov se izogibajte toplim. Večina vrst plastik se lahko pri uporabi različnih komercialnih toplil poškoduje. Za odstranjevanje umazanije, saj in podobnega uporabljajte čisto krpo.
- Zavorna tekočina, gorivo, izdelki na osnovi nafte, prodirajoče olje ipd. nikoli ne smejo priti v stik s plastičnimi deli. Kemikalije lahko poškodujejo, oslabijo ali uničijo plastiko.
- Vedno nosite zaščitna očala s stranskimi ščitniki, ko uporabljate električna orodja ali ko spihujete prah. Če pri delu nastaja prah, nosite tudi zaščitno masko proti prahu.
- Za večjo varnost in zanesljivost mora vsa popravila izvesti pooblaščen servisni center RYOBI.

MAZANJE

Vsi ležaji na napravi so namazani z dovolj kakovostnega maziva, tako da mazanje naprave ob normalni uporabi do konca življenjske dobe naprave ni več potrebno. Zato dodatno mazanje ni potrebno.

SIMBOLI



Varnostno opozorilo



Enosmerni tok



Les



Ne žaganje kovin



Nosite zaščito za oči



Nevarnost! Ostro rezilo.



Ne izpostavljajte dežju



Širina rezanja



Zobje rezila



Prosimo, da si pred zagonom naprave
pozorno preberete navodila

Odpadnih baterij in odpadne električne in elektronske opreme ne odlagajte med nesortirane gospodinjne odpadke. Odpadne baterije in odpadno električno in elektronsko opremo je treba zbirati ločeno. Odpadne baterije, odpadne akumulatorje in svetlobne vire je treba odstraniti iz opreme. Glede recikliranja in zbirališča se posvetujte z lokalnim organom ali prodajalcem. Skladno z lokalnimi predpisi morajo trgovci na drobno odpadne baterije in odpadno električno in elektronsko opremo morda brezplačno prevzeti. Vaš prispevek k ponovni uporabi in recikliranju odpadnih baterij in odpadne električne in elektronske opreme pomaga zmanjšati zahteve po surovinah. Odpadne baterije, predvsem tiste, ki vsebujejo litij, in odpadna električna in elektronska oprema vsebujejo dragocene materiale in materiale, ki jih je mogoče reciklirati, in lahko v primeru, da se ne odložijo na način, skladen z okoljem, negativno vplivajo na okolje in zdravje ljudi. Če so v odpadni opremi shranjeni osebni podatki, jih izbrišite.



Bezpečnosť, efektívnosť a spoľahlivosť boli prvoradá pri navrhovaní vašej kotúčovej píly.

ÚČEL POUŽITIA

Kotúčovú pílu môžu používať len svojprávnne dospelé osoby, ktoré si prečítali a porozumeli pokynom a varovaniám v tejto príručke.

Tento výrobok je určený na pozdĺžne aj priečne rezanie dreva a podobných materiálov do maximálnej hĺbky 45 mm. Týmto výrobkom možno vykonávať rovné a šikmé rezy v rozsahu 0 až 50 stupňov. Pri kontakte s obrobkom sa používa základová doska nástroja. Je určená na použitie iba v suchom, dobre osvetlenom a dobre vetranom mieste.

Tento produkt bol navrhnutý na ručné používanie. Tento výrobok nie je určený na namontovanie na pracovný stôl, ak výrobca píly neuvádza špecifické pokyny, ako to urobiť. Nepoužívajte na rezanie kovu alebo muriva.

Tento produkt nepoužívajte žiadnym iným spôsobom, ako je uvedené v účele použitia. Pri používaní mechanického nástroja na iné ako určené činnosti môže dôjsť k nebezpečným situáciám.

VAROVANIE

Prečítajte si všetky výstrahy, pokyny, vyobrazenia a špecifikácie dodané k tomuto elektrickému nástroju. Pri nedodržaní týchto výstrah a pokynov môže dôjsť k úrazu elektrickým prúdom, požiaru a/alebo závažnému poraneniu

Odložte všetky výstrahy a pokyny pre budúce použitie.

BEZPEČNOSTNÉ VÝSTRAHY PRE KOTÚČOVÚ PÍLU

POSTUPY REZANIA

NEBEPEČENSTVO

Ruky nedávajte do blízkosti oblasti rezania a ostria. Druhú ruku nechajte na pomocnej rukoväti alebo kryte motora. Ak držíte rukoväť s obidvomi rukami, kotúč ich neporeže.

- **Nesiahajte pod obrobok.** Kryt vás neochráni pred kotúčom.
- **Hĺbku rezania nastavte podľa hrúbky obrobku.** Pod obrobkom by mal byť viditeľný menej ako jeden zub zo zubov ostria.
- **Nikdy nedržte rezaný kus materiálu rukami alebo krížom na nohách. Zaistíte obrobok k stabilnej podložke.** Je dôležité obrobok správne podprieť, aby sa čo najviac minimalizovalo vystavenie tela, zovieranie ostria alebo strata kontroly.
- **Pri vykonávaní operácie, kedy môže rezacie príslušenstvo prísť do kontaktu so skrytým vedením, držte nástroj za izolované úchopné miesta.** Styk so „živým“ vodičom tiež spôsobí, že kovové časti elektrického nástroja sa tiež stanú „živými“ a môžu obsluhujúcej osobe spôsobiť zásah elektrickým prúdom.

- **Pri pozdĺžnom rezaní vždy použite paralelné vodidlo alebo rovné vodítko.** Zlepší sa tak kvalita rezu a zníži sa pravdepodobnosť zovretia ostria.
- **Vždy používajte ostria s otvormi na hriadeľ správnej veľkosti a tvaru (kosoštvorcové alebo okrúhle).** Ostria, ktoré nie sú kompatibilné s montážnym technickým vybavením píly, budú bežať excentricky a spôsobia stratu kontroly.
- **Nikdy nepoužívajte poškodené alebo nevhodné podložky alebo maticu.** Podložky ostria boli špeciálne navrhnuté pre túto pílu na dosiahnutie optimálnej výkonnosti a bezpečnej prevádzky.

SPÄTNÝ NÁRAZ A SÚVISIACE VÝSTRAHY:

- Spätňý náraz je náhla reakcia na zovreté, pritlačené alebo nesprávne nastavené pilové ostria, ktorá spôsobí, že neovládateľná píla sa nadvihne a vyhodí obrobok smerom k obsluhujúcej osobe;
- keď sa ostrie zovrie alebo tesne pritlačí zovierajúcim sa zárezom, ostrie stratí rýchlosť a reakcia motora rýchlo odrazí jednotku dozadu smerom k obsluhujúcej osobe;
- Ak sa ostrie v reze skrúti alebo vyosí, zuby na zadnom okraji ostria sa môžu zaryť do horného povrchu dreva, čo spôsobí, že ostrie sa vyšplhá zo zárezu a odskočí smerom k obsluhujúcej osobe.

Spätňý náraz je výsledok nesprávneho používania píly a/alebo nesprávnych prevádzkových postupov a možno mu predchádzať vykonávaním príslušných predbežných opatrení uvedených nižšie.

- **Udržiavajte pevný úchop na pile a držte telo a rameno v polohe, ktorá vám umožní odolávať sile spätňého nárazu.** Telo umiestnite na jednu stranu ostria, nie do jeho línie. Spätňý náraz by mohol spôsobiť odskočenie píly dozadu, ale sily spätňého nárazu môže obsluhujúca osoba ovládať, ak vykoná príslušné opatrenia.
- **Keď sa kotúč zoviera alebo z akejkoľvek príčiny prerušíte rez, uvoľnite spínač a držte pílu nehybne v materiáli, kým sa ostrie úplne nezastaví. Nikdy sa nepokúšajte vybrať pílu z obrobku alebo ťahať ju dozadu, kým sa ostrie pohybuje, inak môže dôjsť k spätnému nárazu.** Zistíte a vykonajte nápravné kroky a eliminujte príčinu zovierania ostria.
- **Pri opätovnom spustení píly v obrobku vycentrujte ostrie píly v záreze a dbajte na to, aby zuby píly nezapadali do materiálu.** Ak sa ostrie píly zoviera, pri opätovnom spustení sa môže vysunúť alebo nastane spätňý náraz od obrobku.
- **Veľké panely podprieť, aby sa minimalizovalo riziko zovretia kotúča a spätňého nárazu.** Veľké panely sa zvyknú prehybať pod vlastnou váhou. Podpery sa musia umiestniť pod panel na oboch stranách, v blízkosti línie rezania a v blízkosti okraja panela.
- **Nepoužívajte otupené alebo poškodené príslušenstvo.** Nezaostrené alebo nesprávne nasadené kotúče vytvárajú úzky zárez a dochádza k nadmemnému treniu, zovieraniu ostria a spätnému nárazu.

- **Páčky nastavenia hĺbky a úkosu ostria musia byť pred rezaním utiahnuté a zaistené.** Ak sa nastavenie kotúča počas rezania posunie, môže spôsobiť zovretie a spätný náraz.
- **Pri pilení do existujúcich stien alebo iných neznámych priestorov dbajte na opatnosť.** Vyčnievajúce ostrie môže porezať objekty a následne spôsobiť spätný náraz.

FUNKCIA SPODNÉHO KRYTU

- **Pred každým použitím skontrolujte, spodný kryt, či je správne uzavretý. Nepracujte s pilou, ak sa spodný kryt voľne nepohybuje a ihneď sa neuzavrie. Nikdy neupínajte ani neuväzujte spodný kryt do otvorenej polohy.** Ak píla náhodne spadne, spodný kryt sa môže ohnúť. Nadvihnite spodný kryt pomocou zaťahovacej páčky a skontrolujte, či sa voľne pohybuje a nedotýka sa ostria ani žiadnej inej časti, a to pri všetkých uhloch a hĺbkach rezu.
- **Skontrolujte funkčnosť pružiny spodného krytu. Ak kryt a pružina nefungujú správne, pred použitím sa na nich musí vykonať servis.** Spodný kryt môže fungovať lenivo, keď sú niektoré časti poškodené, sú na ňom lepkavé usadeniny alebo nahromadené nečistoty.
- **Spodný kryt možno zatiahnuť manuálne len pri špeciálnych rezoch, ako sú „zapichovacie rezy“ a „zložené rezy“.** Nadvihnite spodný kryt pomocou zaťahovacej páčky a hneď, ako ostrie prenikne do materiálu, musíte spodný kryt uvoľniť. Pri všetkých iných rezoch by mal spodný kryt pracovať automaticky.
- **Predtým, ako položíte pílu na pracovný stôl alebo dlážku, vždy skontrolujte, či spodný kryt zakrýva ostrie.** Nechránené ostrie bežiacie na voľnobeh spôsobí spätný pohyb píly, pričom poreže všetko v ceste. Dávajte pozor na čas, ktorý potrvá, kým sa ostrie zastaví po uvoľnení spínača.

AKUMULÁTOR – BEZPEČNOSTNÉ VÝSTRAHY

- **Prach vytváraný pri práci s týmto nástrojom môže byť zdraviu škodlivý, zápalný alebo výbušný. Nevdychujte prach.** Používajte systém na odsávanie prachu a noste vhodnú masku na ochranu pred prachom. Dôkladne odstráňte usadený prach, napr. pomocou vysávača.
- **Nepoužívajte žiadne abrazívne kotúče.**
- **Dbajte na to, aby nedošlo k prehriatiu hrotov ostria. Nepoužívajte otupené alebo poškodené príslušenstvo.** Na nástroj nevyvíjajte silu.
- **Nepoužívajte ostria väčšieho alebo menšieho priemeru ako odporúčané.**
- Noste ochranu sluchu.
- **Upnite obrobok pomocou upínacieho zariadenia.** Neupnuté obrobky môžu spôsobiť závažné poranenie a škody.
- **Dôkladne skontrolujte materiál, ktorý budete rezat', najmä keď ide o recyklované drevo, či neobsahuje cudzie predmety ako klnice, skrutky, skoby.** Ak sa

klnice, skrutky, skoby alebo podobné predmety dostanú pri rezaní do kontaktu s ostrím, dôjde k poškodeniu píly a závažnému poraneniu obsluhujúceho alebo iných osôb.

- **Nedotýkajte sa ostria píly bezprostredne po pilení.** Ostrie píly a pri pilení zohrieva.
- Používajte len čepele s priemerom podľa označenia.
- Nájdiť správnu čepeľ na použitie na rezaný materiál.
- Používajte len také pílové čepele, ktoré sú označené rýchlosťou, ktorá sa rovná alebo je vyššia než rýchlosť vyznačená na náradí.
- Používajte pílové čepele odporúčané výrobcom, ktoré vyhovujú požiadavkám normy EN 847-1, ak sú určené pre drevo a obdobné materiály.
- Používajte protiprachovú masku.
- Rozsah okolitej teploty počas prevádzkovania náradia je 0 °C až 40 °C.
- Rozsah okolitej teploty počas skladovania náradia je 0 °C až 40 °C.
- Odporúčaný rozsah okolitej teploty pre nabíjací systém počas nabíjania je 10 °C až 38 °C.

DOPLNKOVÉ BEZPEČNOSTNÉ VÝSTRAHY PRE BATÉRIU

⚠ VAROVANIE

Aby ste zabránili nebezpečenstvu požiaru spôsobeného skratom, poraneniam alebo poškodeniam výrobku, neponárajte náradie, výmennú batériu alebo nabíjačku do kvapalín a postarajte sa o to, aby do zariadení a akumulátorov nevnikli žiadne tekutiny. Korodujúce alebo vodivé kvapaliny, ako je slaná voda, určité chemikálie a bieliace prostriedky alebo výrobky, ktoré obsahujú bielidlo, môžu spôsobiť skrat.

- Rozsah okolitej teploty počas používania batérie je 0 °C až 40 °C.
- Rozsah okolitej teploty počas skladovania batérie je 0 °C až 20 °C.

PREPRAVA LÍTOVÝCH AKUMULÁTOROV

Akumulátor prepravujte v súlade s miestnymi smernicami a nariadeniami.

Keď akumulátory prepravuje tretia strana, dodržiavajte všetky požiadavky na balení a označení. Zabezpečte, aby počas prepravy akumulátory neprišli do kontaktu s inými akumulátormi ani vodivými materiálmi – chráňte obnažené konektory pomocou izolácie, nevodivými viečkami alebo páskou. Neprepravujte akumulátory, ktoré sú prasknuté alebo vytekajú. Ďalšie pokyny zistíte u nasledujúcej spoločnosti.

ZVÝŠKOVÁ RIZIKOVOSŤ

Aj keď sa nástroj používa podľa predpisu, nie je možné eliminovať určité zvyškové rizikové faktory. Pri použití vznikajú nasledujúce riziká a obsluhujúca osoba musí venovať zvláštnu pozornosť, aby nedošlo k nasledovnému:

- Zranenie spôsobené spätným nárazom
 - Prečítajte si a oboznámte sa s informáciami v tejto príručke.
 - Zranenie spôsobené vibráciami
 - Obmedzte expozíciu. Pozrite časť "Znižovanie Rizika".
 - Zranenie spôsobené prachom
 - Vždy používajte chrániče zraku. Používajte primeranú masku na zachytávanie prachu s vhodnými filtrami, ktoré dokážu chrániť pred prachom z opracúvaného materiálu. Na pracovisku nejeďte, nepite ani nefajčite. Zabezpečte primerané vetranie pracoviska.
 - Zásah elektrickým prúdom
 - Ostrie sa môže dostať do kontaktu so skrytým vedením, následkom čoho môžu byť diely produktu pod prúdom. Produkt vždy držte za určené rukoväte a dávajte pozor pri rezaní naslepo do stien a podláh, kde sa môžu nachádzať skryté káble.
- POZNÁMKA:** Pri práci na stenách, stropoch alebo dlážkach dávajte pozor, aby ste nezasiahli elektrické káble a plynové či vodovodné potrubie.

- Zranenie pri kontakte s rezným ostrím
 - Čepele sú veľmi ostré a pri práci budú veľmi horúce. Pri výmene čepelí používajte rukavice. Držte ruky neustále mimo dosahu priestoru rezania. Nikdy nedržte rezaný kus materiálu rukami alebo krížom na nohách. Upnite obrobok vždy, keď je to možné.

OBMEDZENIE RIZIKA

Boli hlásené prípady, kedy vibrácie z ručných nástrojov u niektorých osôb prispeli k stavu nazývanému Raynaudov syndróm. K symptómom patria: tŕpnutie, znecitlivenie a blednutie prstov, zvyčajne zjavné po vystaveniu zime. Je známe, že k vývoju týchto symptómov prispievajú: dedičné faktory, vystavovanie zime a vlhkosti, diéta, fajčenie a pracovné návyky. Opatrenia, ktoré môže vykonať obsluhujúca osoba na možné zníženie účinkov vibrácií:

- V studenom počasí udržiavajte svoje telo v teple. Pri práci so zariadením noste rukavice, aby ste mali ruky a zápästia v teple. Boli hlásené prípady, kedy hlavným faktorom prispievajúcim k Raynaudovmu syndrómu bolo studené počasie.
- Po každom určitom časovom úseku prevádzky cvičte, aby ste zlepšili krvný obeh.
- Počas práce si doprajte časté prestávky. Obmedzte počet vystavení za deň.

Ak zistíte ktorýkoľvek zo symptómov tohto stavu, okamžite prerušte používanie zariadenia, navštívte svojho lekára a povedzte mu o symptómoch.

VAROVANIE

Dlhodobé používanie nástroja môže spôsobiť alebo zhoršiť poranenia. Pri používaní nástroja príliš dlhé obdobia si vždy doprajte pravidelné prestávky.

OBOZNÁMTE SA S VAŠIM PRODUKTOM

Vid' strana 109.

1. Tlačidlo vodiča okolo okraja
2. Tlačidlo nastavenia úkosu
3. Tlačidlo blokovania vretena
4. Predná rúčka, izolovaný povrch na držanie
5. Poistné tlačidlo
6. Spínač
7. Otvor na akumulátory
8. Spojky rúrky na prach
9. Vnútrorná príručka
10. Príruba disku
11. Skrutka ostria
12. Šesťhranný kľúč
13. Uzamykacia páčka nastavenia hĺbky
14. Bariéra vodiča okolo okraja
15. Ostrie
16. Rúčka, izolovaný povrch na držanie

ÚDRŽBA

VAROVANIE

Tento produkt sa nikdy nesmie pripájať do elektrickej siete, keď montujete diely, vykonávate úpravy, čistíte alebo vykonávate údržbu, alebo keď produkt nepoužívate. Odpojením produktu zabránite náhodnému spusteniu, ktoré by mohlo spôsobiť závažné poranenie.

- Pri servise používajte len originálne náhradné diely výrobcu. Použitie iných dielov môže predstavovať riziko alebo spôsobiť poškodenie produktu.
- Vyhnajte sa požitiu rozpúšťadiel pri čistení plastových častí. Večina plastických materiálov je občutlivá na različne vrste komerčialno dostupných topil in jich z njihovo uporabo lahko poškodujemo. Na odstránenie špiny, uhlíkového prachu a pod. použite čisté tkaniny.
- Dbajte na to, aby do kontaktu s plastovými dielmi nikdy neprišli do kontaktu brzdové kvapaliny, benzín, ropné produkty, prenikavé oleje a pod. Chemikálie môžu poškodiť, oslabiť či zničiť plast.
- Pri práci s mechanickým nástrojom alebo ofukovaní prachu vždy používajte ochranné okuliare alebo ochranné okuliare s bočnými chráničmi. Ak pri práci vzniká prach, používajte aj protiprachovú masku.
- Pre vyššiu bezpečnosť a spoľahlivosť sa musia všetky opravy vykonávať v autorizovanom servisnom centre RYOBI.

MAZANIE

Všetky ložiská v produkte sú namazané dostatočným množstvom mazivom vysokej akosti na celú životnosť produktu pri bežných prevádzkových podmienkach. Preto nie je potrebné žiadne ďalšie mazanie.

SYMBOLY



Buďte ostražití



Jednosmerný prúd



Drevo



Nerežte kovové



Noste ochranu zraku



Nebezpečenstvo! Ostré čepele.



Nevystavujte dažďu



Šírka rezu



Zúbky čepele



Pred zapnutím zariadenia si prosím prečítajte inštrukcie

Odpadové batérie a akumulátory a odpadové elektrické a elektronické zariadenia nelikvidujte ako netriedený komunálny odpad. Odpadové batérie a akumulátory a odpadové elektrické a elektronické zariadenia sa musia zbierať separovane. Odpadové batérie, odpadové akumulátory a svetelné zdroje treba z výroby vybrať. Pokyny na recykláciu a miesta recyklácie zistíte u svojho miestneho orgánu alebo predajcu. Podľa miestnych predpisov môžu mať maloobchodníci povinnosť bezplatne prevziať odpadové batérie a akumulátory a odpadové elektrické a elektronické zariadenia. Váš príspevok k opätovnému použitiu a recyklácii odpadových batérií a akumulátorov a odpadových elektrických a elektronických zariadení pomáha znižovať dopyt po surovinách. Odpadové batérie a akumulátory, konkrétne tie, ktoré obsahujú lítium, a odpadové elektrické a elektronické zariadenia obsahujú cenné a recyklovateľné materiály, ktoré môžu mať nepriaznivý vplyv na životné prostredie a ľudské zdravie, ak sa nelikvidujú ekologicky vhodným spôsobom. Odstráňte prípadné osobné údaje z odpadového zariadenia.



Безопасността, производителността и надеждността са аспектите, на които е отделен най-голям приоритет при проектирането на вашия циркулярен трион.

ПРЕДНАЗНАЧЕНИЕ

Циркулярният трион е предназначен за използване само от възрастни, които са прочели и разбрали инструкциите и предупрежденията в настоящото ръководство и могат да бъдат считани като отговорни за своите действия.

Инструментът е проектиран за надлъжно и напречно рязане на дърво и подобни материали до максимална дълбочина от 45 mm. Той може да прави или скосени разрези между 0 и 50 градуса. Инструментът трябва да се използва, когато основата му е в контакт с работния детайл. Трябва да се използва на сухи, добре осветени и вентилирани места.

Проектиран е за ръчна употреба. Инструментът не трябва да се монтира върху работен плот, освен ако производителят на продукта не е дал конкретни инструкции как да се направи това. Не използвайте инструмента за рязане на метал или зидария.

Не го използвайте за никакви други цели. Използването на електрически инструменти за различни от предвидените от производителя приложения повишава опасността от възникване на трудови злополуки.

⚠ ПРЕДУПРЕЖДЕНИЕ

Прочетете всички предупреждения за безопасност инструкции, илюстрации и спецификации, предоставени с този електрически инструмент. Неспазването на инструкциите, изброени по-долу, може да доведе до електрически удар, пожар и/или тежки физически травми.

Съхранявайте всички предупреждения и инструкции за бъдещи справки.

ПРЕДУПРЕЖДЕНИЯ ЗА БЕЗОПАСНОСТ ПРИ РАБОТА С ЦИРКУЛЯРНИЯ ТРИОН

ПРОЦЕДУРИ ЗА РЯЗАНЕ

⚠ ОПАСНОСТ

Дръжте ръцете си далече от зоната на рязане и острието. Дръжте другата си ръка върху спомагателната ръкохватка или корпуса на двигателя. Ако и двете ръце държат триона, те не могат да бъдат порязани от острието.

- Не поставяйте ръката си под работния детайл. Предпазителят не може да ви защити от острието под работния детайл.
- Регулирайте дълбочината на рязане според дебелината на работния детайл. Под работния детайл трябва да се вижда по-малко от цялата дължина на зъбите на острието.
- Никога не дръжте материала, който режете, в ръце или през краката си. Закрепете работния детайл към стабилна платформа. Важно е да

закрепвате детайла правилно, за да се намалят до минимум рискът за тялото, извиването на острието или загубата на контрол.

- Дръжте електрическият инструмент само за изолираните повърхности за хващане, когато извършвате операция, при която режещият инструмент може да влезе в контакт със скрити проводници. Контактът с проводник, по който тече ток, може да доведе до протичането на ток по неизолираните метални части на електрическият инструмент и да причини токов удар на оператора.
- Когато правите надлъжен разрез, винаги използвайте оградка за нацепване или прав ъглов водач. Това подобрява точността при рязане и намалява възможността от огъване на острието.
- Винаги използвайте остриета с правилен размер и форма (диамантени пред кръгли) с дупки. Остриета, които не съответстват на монтажната рамка на триона, ще работят ексцентрично, причинявайки загуба на контрол.
- Никога не използвайте повредени или неправилни болтове или шайби за остриетата. Шайбите и болтовете на остриетата са направени специално за вашия трион за оптимално изпълнение и безопасност при работа.

ПРИЧИНИ ЗА ОТКАТ И СВЪРЗАНИ С ТОВА ПРЕДУПРЕЖДЕНИЯ:

- Откатът е внезапна реакция на притиснато, огънато или изкривено острие, което води до неконтролиран отскок на триона от работния детайл към оператора.
- Когато острието е защитано или здраво захванато в прореза, острието засяда и реакцията на мотора започва да издърпва уреда назад към оператора.
- Ако острието се усуче или изкриви в прореза, зъбите в задния край на острието може да задълбаят в горната повърхност на дървото, което ще причини отскачане на острието от прореза към оператора.

Откатът е следствие на неправилно използване на електрическият инструмент. Той може да бъде предотвратен с предприемане на подходящи предпазни мерки, които са описани по-долу:

- Поддържайте здрав захват с две ръце върху машината и застанете така, че да можете да противостоите на откатните сили. Разположете тялото си от която и да е страна на острието, но не и успоредно с него. Откатът може да накара острието да отскочи назад, но операторът може да контролира тези сили, ако се вземат подходящи предпазни мерки.
- Когато острието е захванато или когато рязането се прекъсне по някаква причина, освободете спусъка и дръжте триона в покой в материала, докато острието напълно спре. Никога не опитвайте да изваждате триона от работния детайл или да го дърпате назад, докато острието се движи, тъй като може да се получи откат. Направете проверка и предприемете коригиращи действия, за да отстраните причината за огъване на острието.

- При рестартиране на триона в работния детайл, центрирайте острието на триона в прореза и проверете дали зъбите не са захванати в материала. Ако острието на триона се огъне, може да се извади или да отскочи от детайла при рестартиране на триона.
- Поддържайте по-големите панели, за да намалите риска от заципване и откат на острието. Големите панели могат да се огънат от собствената си тежест. Трябва да се поставят подпори под панела, от двете страни, близо до линията на рязане и до ръба на панела.
- Не използвайте тъпи или повредени остриета. Неподострените или неправилно поставени остриета правят тесни прорези, което причинява прекомерно триене, огъване на острието и откат.
- Регулирайте заключващи лостове за дълбочината на острието и за наклона трябва да са затегнати здраво преди да се пристъпи към рязане. Ако регулирането на острието се измести по време на рязане, то може да причини огъване и откат.
- Бъдете особено внимателни, когато режете в съществуващите стени или други слепи зони. Издаденото острие може да среже предмети, които могат да причинят откат.

ФУНКЦИЯ НА ДОЛНИЯ ПРЕДПАЗИТЕЛ

- Проверявайте долния предпазител за правилно затваряне преди всяка употреба. Не работете с триона, ако долният предпазител не се движи свободно и затворете веднага острието. Никога не закрепвайте или не завързвайте долния предпазител така, че острието да е открито. Ако трионът падне случайно, долният предпазител може да се огъне. Повдигнете долния предпазител с прибиращата се ръкохватка и се уверете, че той се движи свободно и не докосва острието или друга част във всички ъгли и дълбочини на срязване.
- Проверете работата на възвратната пружина на долния предпазител. Ако предпазителят и възвратната пружина на работят правилно, те трябва да се сервизират преди употреба. Долният предпазител може да работи бавно поради повредени части, смолисти натрупвания или натрупване на отпадъци.
- Долният предпазител може да се прибира ръчно само за специални разрези, като напр. „потъващо рязане“ и „комбинирани разрези“. Повдигнете долния предпазител с прибиращата се ръкохватка и когато острието влезе в материала, предпазителят трябва да бъде освободен. За всякакви други видове рязане долният предпазител трябва да работи автоматично.
- Винаги наблюдавайте дали долният предпазител покрива острието преди да оставите триона на пейка или на пода. Незащитено, работещо по инерция острие ще причини движение на триона назад и ще нареже всичко по пътя си. Внимавайте за времето, необходимо на острието да спре след отпускане на превключателя.

- Прахът, произведен при използването на izdelieto, може да бъде вреден за здравето Ви, запалим или експлозивен. Да не се вдишва прахът. Използвайте система за изсмукване на прах и носете подходяща противопрахова маска. Премахвайте напълно отложения прах, напр. с четка и прахосмукачка.
- Не използвайте абразивни дискове.
- Избягвайте прегряване на върховете на острието. Не използвайте тъпи или повредени остриета. Не насилвайте продукта.
- Не използвайте остриета с по-голям или с по-малък диаметър от препоръчителния.
- Носете антифони
- Закрепете работния си детайл с устройство за захващане. Незакрепени обработвани детайли могат да причинят сериозно нараняване или щети.
- Щателно проверявайте материала за рязане за чужди предмети, като напр. гвоздеи, винтове и скоби, особено при използване на рециклирана дървесина. Ако гвоздеи, винтове, скоби или подобни предмети влязат в контакт с режещото острие, циркулярът ще се повреди и може да възникне сериозно нараняване на оператора или на други.
- Не докосвайте циркулярния диск веднага след рязане. Циркулярният диск се нагорещява по време на рязане.
- Използвайте само дискове с диаметри в съответствие с маркировките.
- Установете правилния циркулярен диск за материала, който трябва да се отреже.
- Използвайте само циркулярни дискове, маркирани със скоростр, авна или по-висока от скоростта, маркирана върху инструмента.
- Използвайте само препоръчани от производителя остриета за трион, които отговарят на EN 847-1, ако са предназначени за дърво и аналогични материали.
- Носете подходяща маска против прах.
- Диапазонът на околната температура при работа с инструмента е между 0 °C и 40 °C.
- Диапазонът на околната температура при съхранение на инструмента е между 0 °C и 40 °C.
- Препоръчителният диапазон на околната температура при зареждане със зарядната система е между 10 °C и 38 °C.

ДОПЪЛНИТЕЛНИ ПРЕДУПРЕЖДЕНИЯ ЗА БЕЗОПАСНОСТ ЗА БАТЕРИЯТА**▲ ПРЕДУПРЕЖДЕНИЕ**

За да избегнете опасността от пожар, предизвикана от късо съединение, както и нараняванията и повредите на продукта, не потапяйте инструмента, сменяемата акумулаторна батерия или зарядното устройство в течности и се грижете в уредите и акумулаторните батерии да не попадат течности. Течностите, предизвикващи корозия или провеждащи електричество, като солена вода, определени химикали, избелващи вещества или продукти, съдържащи избелващи вещества, могат да предизвикат късо съединение.

- Диапазонът на околната температура при използване на батерията е между 0 °C и 40 °C.
- Диапазонът на околната температура при съхранение на батерията е между 0 °C и 20 °C.

ТРАНСПОРТИРАНЕ НА ЛИТИЕВИ БАТЕРИИ

Транспортирайте батериите в съответствие с местните и национални постановления и разпоредби.

Спазвайте всички специални изисквания за пакетиране и етикетирание, когато транспортирате батерии чрез трето лице. Уверете се, че батериите не влизат в контакт с други батерии или проводими материали по време на транспортиране, като предпазите откритите конектори с изолация, непроводими капачета или лента. Не транспортирайте батерии, които са спукани или текат. Свържете се със следната компания за допълнителен съвет.

НЕПРЕДВИДЕНИ РИСКОВЕ.

Дори когато продуктът се използва по предназначение, е невъзможно напълно да се ограничи влиянието на определени рискови фактори. Могат да възникнат следните опасности и операторът трябва да обърне особено внимание, за да ги избегне:

- Наранявания, причинени от откат
 - Прочетете и разберете информацията в ръководството.
- Нараняване, причинено от вибрация.
 - Ограничете излагането. Вижте „Намаляване на опасността“.
- Наранявания, причинени от прах
 - По всяко време носете защитни средства за очите. Носете маска против прах с подходящи филтри, която може да ви предпази от частици от материала, върху който работите. Не употребявайте храни, напитки или цигари в зоната на работа. Осигурете подходяща вентилация.
- Токов удар
 - Острието може да засегне скрити проводници, което да доведе до протичане на ел. ток по частите. Винаги дръжте продукта за определените за това ръкохватки и внимавайте,

когато пробивате на сляпо стени и подове, в които може да има скрити проводници.

ЗАБЕЛЕЖКА: Когато работите в стени, тавани или подове, избягвайте засягането на електрически кабели, газове и водни тръби.

- нараняване в следствие на контакт с остриетата
 - Остриетата са много остри и ще загреят по време на употреба. Носете ръкавици, когато сменяте остриетата. Дръжте ръцете си далече от зоната на рязане през цялото време. Никога не дръжте материала, който режете, в ръце или през краката си. Пристегнете работния детайл в менгема, когато е възможно.

НАМАЛЯВАНЕ НА РИСКА

Известно е, че вибрациите, произвеждани от ръчни инструменти може да предизвикат у някои индивиди заболяване, наречено Синдром на Рейнолд (Raynaud's Syndrome). Симптомите може да включват изтръпване, схващане и изbledняване на пръстите, обикновено се забелязват при излагане на студ. Смята се, че наследствените фактори, излагането на студ и влага, диетите, пушенето и някои работни навици допринасят за развитието на тези симптоми. Могат да се вземат някои мерки, които могат да се предприемат от оператора, за да се намалят ефектите от вибрациите:

- Поддържайте телесната температура в студено време. Когато боравите с инструмента, носете ръкавици, за да поддържате ръцете и китките си топли. Според изследвания главният фактор, допринасящ за развитието на Raynaud's Syndrome, е студеното време.
- Правете упражнения за активизиране на кръвообращението след всеки работен цикъл.
- Редовно излизайте в почивка. Ограничете излагането на вибрации на ден.

При поява на някой от симптомите на това заболяване, незабавно прекратете употребата на инструмента и посетете лекар.

▲ ПРЕДУПРЕЖДЕНИЕ

Продължителното използване на инструмента може да доведе до наранявания или влошаване. При използване на инструмента за продължителни периоди от време правете чести почивки.

ОПОЗНАЙТЕ ВАШИЯ ПРОДУКТ

Вж. страница 109.

1. Копче за паралелен водач
2. Копче за настройка на наклона
3. Бутон за заключване на шпиндела
4. Предна ръкохватка, изолирана повърхност за захващане
5. Фиксиращ бутон
6. Спусък
7. Гнездо за батерията
8. Съединение на тръбата за изсмукване на прах
9. Вътрешен фланец
10. Външен фланец

11. Винт на циркулярния диск
12. Ключ шестограм
13. Застопоряващ лост за регулиране на дълбочината
14. Ограничител на паралелния водач
15. Острие
16. Ръкохватка, изолирана повърхност за захващане



Носете защитни средства за очи



Опасност! Остро острие



Не излагайте на дъжд



Ширина на рязане



Зъби на острието



Прочетете инструкциите внимателно, преди да стартирате машината.

ПОДДРЪЖКА

⚠ ПРЕДУПРЕЖДЕНИЕ

Продуктът не трябва никога да се включва в захранване, когато сглобявате части, правите настройки, почиствате, извършвате поддръжка или когато не го използвате. Изключването на продукта от захранването ще предотврати случайно стартиране, което би могло да причини сериозни наранявания.

- При ремонт използвайте само идентични резервни части. Използването на други части може да ви постави в опасност или да повреди продукта.
- Избягвайте използването на разтворители при почистването на пластмасовите части. Повечето пластмаси са чувствителни към различни видове разтворители и може да се повредят при използването на такива. Използвайте чисти кърпи за отстраняване на замърсявания и въглероден.
- В никакъв случай не позволявайте пластмасовите части да влизат в контакт със спирачни течности, нефтени продукти, проникващи масла и т.н. Те съдържат химически вещества, които могат да повредят, отслабят или разрушат пластмасата.
- Винаги носете предпазна маска или очила със странични екрани, когато боравите с механизирани инструменти или издухвате прах. Ако при работата се отделе прах, използвайте и маска за предпазване от него.
- За по-голяма безопасност и надеждност всички ремонти трябва да се извършват от оторизиран сервиз.



Не изхвърляйте отпадъците от батерии, електрическо и електронно оборудване като несортирани битови отпадъци. Отпадъците от батерии и електрически и електронно оборудване трябва да се събират отделно. Отпадъците от батерии, акумулатори и светлинни източници трябва да бъдат премахнати от оборудването. За съвети относно рециклирането и пункта за събиране се обърнете към вашите местни власти или търговски представители. Съгласно местните разпоредби търговците на дребно трябва да бъдат задължени да приемат обратен отпадък от батерии и електрическо и електронно оборудване. Вашият принос за повторната употреба и рециклирането на отпадъци от батерии и електрическо и електронно оборудване помага за намаляване на търсенето на суровини. Отпадъците от батерии, особено съдържащите литий, и електрическо и електронно оборудване съдържат ценни, подходящи за рециклиране материали, които може да имат неблагоприятно въздействие върху околната среда и човешкото здраве, ако не бъдат изхвърлени по екологичен начин. Ако на отпадъчното оборудване има лични данни, изтрийте ги.

СМАЗВАНЕ

Всички лагери в този продукт за смазани с достатъчно количество висококачествено масло, което трябва да стигне за целия експлоатационен живот на инструмента при нормални работни условия. Затова не е необходимо допълнително смазване.

СИМВОЛИ



Предупреждение относно безопасността



Постоянен ток



Дърво



Не режете метали

Головними міркуваннями при розробці цієї циркулярної пилки були безпека, ефективність та надійність.

ПРИЗНАЧЕННЯ

Циркулярна пилка призначена для використання тільки дорослими, які повністю прочитали та зрозуміли інструкції та попередження у цьому керівництві і можуть вважатися відповідальними за власні дії.

Пристрій призначений для розпилювання вздовж волокон, поперечного розпилювання деревини та схожих матеріалів з максимальною глибиною 45мм. За допомогою пристрою можна робити прямі або скошені відрізи між 0 і 50 градусами. При використанні пили основа інструменту має торкатися деталі, що оброблюється. Інструмент слід використовувати тільки у сухій, добре освітленій зоні з достатньою вентиляцією.

Пристрій призначений для ручного використання. Пристрій не можна встановлювати на верстаті, якщо тільки виробник пристрою не дає конкретних інструкцій про те, як це зробити. Не використовувати для різання металу або каміння.

Не використовуйте пристрій для будь-яких інших цілей. Використання електричного інструменту для операцій, які відрізняються від призначених, може призвести до небезпечної ситуації.

⚠ ПОПЕРЕДЖЕННЯ

Прочитайте всі правила безпеки, інструкції, ілюстрації і специфікації, що поставляються з електроінструментом. Недотримання всіх зазначених інструкцій може призвести до ураження електричним струмом, пожежі та/або серйозних травм.

Збережіть всі інструкції і вказівки для майбутнього використання.

ЗАХОДИ БЕЗПЕКИ ПРИ КОРИСТУВАННІ ЦИРКУЛЯРНОЮ ПИЛКОЮ

РІЗАННЯ

⚠ НЕБЕЗПЕКА

Тримайте руки подалі від зони різання та диску. Тримайтеся другою рукою за допоміжну ручку або корпус мотора. Якщо тримати пилку обома руками, їх неможливо травмувати ріжучим диском.

- Слідкуйте, щоб руки не потрапили під деталь, що оброблюється. Щиток не захистить вас від диску під деталлю.
- Встановлюйте глибину різання відповідно до товщини деталі. Під деталлю, що оброблюється, має бути видно неповний зубець диску.
- Ніколи не відрізайте заготівку в ваших руках або через вашу ногу. Закріпіть деталь, що оброблюється, на стійкій платформі. Важливо правильно організувати роботу, аби мінімізувати

ризик нанесення травми, блокування диску або втрату контролю.

- **Тримайте електроінструмент за ізольовані поверхні при виконанні дій, при яких ріжучий інструмент може торкнутися прихованої проводки.** Кріплення, що контактують з проводом "під напругою" можуть зробити металеві частини електроінструменту "під напругою", і можуть вразити оператора електричним струмом.
- **При подовжньому різанні завжди використовуйте напрямну планку або косинець.** При цьому підвищується точність різання та знижується вірогідність заклинювання диску.
- **Завжди використовуйте диски зі шпindelними отворами правильної розміру та форми (ромбовидної/круглої).** Леза, які не відповідають монтажному обладнанню пилки будуть працювати ексцентрично, що призведе до втрати контролю.
- **Забороняється використовувати пошкоджені або непридатні шайби чи болти кріплення диску.** Шайби та болт спеціально розроблено для цієї пилки, вони забезпечують оптимальну ефективність та надійність роботи.

ПРИЧИНИ ВІДСКОКУ ТА ВІДПОВІДНІ ПОПЕРЕДЖЕННЯ:

- Відскок трапляється через затискання, заклинювання чи неправильне центрування диску; при цьому неконтрольована пилка різко рухається догори та в напрямку оператора.
- Коли диск затискається у розпилі, він застрягає, і через реакцію мотора пилку відкидає в напрямку оператора.
- Якщо диск перекошується у розпилі, зубці на задній частині диску чіпляються за верхній край деталі, внаслідок чого диск виривається з розпилу та штовхає пилку в напрямку оператора.

Віддача є наслідком неправильного застосування електро інструменту та/або неправильних процедур або умов експлуатації і може бути уникнута застосуванням належних запобіжних заходів, як зазначено нижче.

- **Міцно тримайте пилку обома руками та розташуйтеся так, щоб бути готовим на випадок відскоку.** Ставайте так, щоб ваше тіло знаходилося з одного чи іншого боку від диску, а не на лінії диску. Відскок примушує пилку рухатися назад, але його можна контролювати, якщо заздалегідь вжити належних заходів.
- **Якщо диск застряг або ж у разі переривання процесу розпилювання з будь-якої причини відпустіть курок і втримуйте пилку до повної зупинки диску. Ніколи не витягайте диск з матеріалу і не рухайте пилку назад, коли диск обертається: це може призвести до відскоку.** З'ясуйте, чому диск застряг, та усуньте причину.
- **При повторному запуску пилки, коли диск знаходиться в деталі, розташуйте пилку так, щоб диск був паралельним розпилу, і переконайтеся, що зубці не чіпляються за матеріал.** У разі

EN
FR
DE
ES
IT
NL
PT
DA
SV
FI
NO
RU
PL
CS
HU
RO
LV
LT
ET
HR
SL
SK
BG
UK
TR
EL

заклинювання диску пилка може вискочити з матеріалу при повторному запуску.

- При розпилювання панелей великого розміру задля уникнення заклинювання диску та відскоку забезпечте опори для панелей. Великі заготовки можуть прогинатися під власною вагою. Опори необхідно розміщати під панелями з обох боків поблизу до лінії розпилювання та біля краю панелей.
- Не використовуйте тупі або пошкоджені диски. при використанні незагострих або неправильних встановлених дисків розпил буде занадто вузьким, що може призводити до надмірного тертя, заклинювання диску та відскоку.
- Перед розпилюванням переконайтесь, що важелі регуляторів глибини та кута різання надійно затягнуті. Якщо налаштування диску буде порушено під час розпилювання, це може призвести до заклинювання диску та відскоку.
- Будьте обережними при розпилюванні стін та роботі в місцях з обмеженою видимістю. Виступаючий диск може зачепитися за перешкоди, що може призвести до відскоку.

НИЖНІЙ ЗАХИСНИЙ ЩИТОК

- Перед кожним використанням перевіряйте, чи закритий нижній захисний щиток. Забороняється користуватися пилкою, якщо нижній захисний щиток застрягає або не фіксується. Забороняється фіксувати нижній захисний щиток у відкритому положенні. Якщо пилку випадково упустити, нижній щиток може погнутися. Підніміть нижній щиток за ручку та переконайтесь, що він рухається вільно і не торкається ані диску, ані будь-якої іншої частини інструменту при будь-яких кутах чи глибині розпилювання.
- Перевірте роботу пружини нижнього захисного щитка. У разі порушення в роботі щитка чи пружини пилку слід доставити до сервісного центру для технічного обслуговування. Порушення в роботі нижнього щитка можливі через пошкоджені деталі, налипання або накопичення сміття.
- Дозволяється відводити нижній щиток лише для спеціальних розрізів, наприклад, пропилів чи складних розпилів. Підніміть нижній щиток за ручку; як тільки диск увійде в матеріал, відпустіть щиток. В усіх інших випадках нижній щиток має працювати автоматично.
- Перш ніж покласти пилку на верстак чи підлогу, переконайтесь, що нижній щиток прикриває ріжучий диск. Якщо цього не зробити, при включенні інструменту пилка рухатиметься назад, розрізаючи все на шляху. Зауважте, що після вимкнення необхідний певний час, щоб диск зупинився повністю.

ДОДАТКОВІ ЗАХОДИ БЕЗПЕКИ

- Пил, який виникає під час використання виробу, може бути шкідливим для вашого здоров'я, горючим або вибуховим. Не вдихайте пил. Користуйтеся системою відведення пилу або надягайте відповідну пилозахисну маску. Ретельно видаляйте пил, який залишився, наприклад, щіткою або пилосомоком.
- Не використовуйте абразивні круги.
- Чи не перегрівати кінчик леза. Не використовуйте леза пилки, які були пошкоджені або деформовані. Не перевантажувати інструмент.
- Не використовуйте диски більшого чи меншого діаметру, ніж рекомендується.
- Носіть захист слуху.
- Затисніть оброблювані деталі за допомогою затискного пристрою. Незафіксовані заготовки можуть призвести до травм або пошкоджень.
- Перед роботою завжди ретельно перевіряйте матеріал - особливо той, що використовується повторно - на наявність сторонніх предметів, наприклад, цвяхів, шурупів тощо. У разі присутності таких предметів у матеріалі при контакті полотна з ними воно буде пошкоджене, до того ж виникає висока вірогідність отримання травми оператором чи іншими особами.
- Не торкайтеся полотна пили одразу після роботи. Полотно сильно нагрівається під час різання.
- Використовуйте діаметр леза відповідно до маркування.
- Визначте правильний диск, який буде використовуватися для різання матеріалу.
- Використовуйте лише полотна, призначені для швидкості, рівній або вищій за швидкість, позначену на інструменті.
- Використовуйте лише диски, рекомендовані виробником, які відповідають EN 847-1, якщо вони призначені для деревини та аналогічних матеріалів.
- Носіть ефективну маску від пилу.
- Діапазон температури навколишнього середовища для пристрою під час використання від 0 °C до 40 °C.
- Діапазон температури навколишнього середовища для пристрою під час зберігання від 0 °C до 40 °C.
- Рекомендований діапазон температури зовнішнього середовища для системи заряджання під час заряджання між 10 °C та 38 °C.

ДОДАТКОВІ ПОПЕРЕДЖЕННЯ З ТЕХНІКИ БЕЗПЕКИ ЩОДО ВИКОРИСТАННЯ АКУМУЛЯТОРІВ

⚠ ПОПЕРЕДЖЕННЯ

Для запобігання небезпеці пожежі в результаті короткого замикання, травм і пошкодження виробів не занурюйте інструмент, змінний акумулятор або зарядний пристрій у рідину і не допускайте потрапляння рідини всередину пристроїв або акумуляторів. Корозійні і струмопровідні рідини, такі як солоний розчин, певні хімікати, вибілювальні засоби або продукти, що їх містять, можуть призвести до короткого замикання.

- Діапазон температури навколишнього середовища для акумулятора під час використання між 0 °C та 40 °C.
- Діапазон температур зовнішнього середовища під час зберігання акумулятора між 0 °C та 20 °C.

ТРАНСПОРТУВАННЯ ЛІТІЄВИХ БАТАРЕЙ

Транспортуйте батарею відповідно до місцевих та національних положень та правил.

Дотримуйтеся усіх спеціальних вимог щодо пакування та маркування при транспортуванні батареї третьою стороною. Переконайтеся, що батареї не можуть вступати в контакт з іншими батареями або провідними матеріалами при транспортуванні, захищаючи відкриті роз'єми ізоляційними непровідними кришками або стрічками. Не перевозити батареї, які мають тріщини або протечки. Консультуйтеся з експедиторською компанією для подальших консультацій.

ЗАЛИШКОВІ РИЗИКИ

Навіть коли продукт використовується як написано, залишається неможливим повністю усунути деякі залишкові чинники ризику. Наступні небезпеки можуть виникнути і оператор повинен звернути особливу увагу, щоб уникнути наступного:

- Травми, викликані віддачею
 - Прочитайте та зрозумійте інформацію, що наведено в цьому керівництві.
- Травми, викликані вібрацією
 - Обезуйте вплив. Дивіться ЗНИЖЕННЯ РИЗИКУ.
- Травми, викликані пилом.
 - Завжди надягайте захисні окуляри. Носіть відповідну маску пилоподавлення з підходящими фільтрами, які можуть захистити від пилу від оброблюваного матеріалу. Не їжте, не пийте і не паліть в робочій зоні. Забезпечте достатню вентиляцію на робочому місці.
- Ураження електричним струмом
 - Лезо може контактувати з прихованою проводкою, в результаті чого частини продукту, стануть пвд напругою. Завжди тримайте виріб за призначені

ручки і пильуйте, коли сліпою різанні в стінах і підлогах, де кабелі можуть бути приховані.

ПРИМІТКА: При роботі на стінах, стелі, або підлозі, дбайте про уникнення електричних кабелів і газових або водопровідних труб.

- Травми від контакту з ріжучим лезом
 - Леза дуже гострі і нагріватимуться під час використання. Wear gloves when changing blades. Тримайте руки увесь час подалі від зони різання. Ніколи не відрізайте заготівку в ваших руках або через вашу ногу. Затисніть заготівлю, коли це можливо.

ЗНИЖЕННЯ РИЗИКУ

Повідомлялося, що вібрації від ручних інструментів у певних осіб можуть сприяти стану, який називається синдромом Рейно. Симптоми можуть включати поколювання, оніміння і збліднення пальців, як правило, очевидні при впливі холоду. Спадкові фактори, вплив холоду і вологості, дієта, куріння і робоча практика, всі ці чинники роблять свій внесок у розвиток цих симптомів. Ці заходи можуть бути прийняті оператором, щоб можливо зменшити вплив вібрації:

- Тримайте тіло в теплі в холодну погоду . При експлуатації приладу, одягайте рукавички, щоб тримати руки і заг'ястя у теплі. Повідомлялося, що холодна погода є основним чинником, що сприяє синдрому Рейно.
- Після кожного періоду роботи, здійснійте вправи для підвищення кровообігу.
- Робіть часті перерви в роботі. Зробіть обмеження кількості впливу на день.

Якщо ви відчуваєте будь-які з симптомів цього стану, негайно припиніть використання і зверніться до лікаря з цими симптомами.

⚠ ПОПЕРЕДЖЕННЯ

Тривале використання інструменту може викликати або посилити травми. При використанні інструменту протягом тривалого періоду, робіть регулярні перерви.

ЗНАЙТЕ СВІЙ ПРОДУКТ

Стор 109.

1. Ручка напрямної краю
2. Ручка регулювання кута
3. Блокування шпинделя кнопки
4. Передня ручка, ізольована поверхня для утримання
5. Кнопка розблокування
6. Важільце-вимикач
7. Гніздо для акумулятора
8. Стик пилівідвідної трубки
9. Внутрішній фланець
10. Зовнішній фланець
11. Гвинт кріплення леза
12. Шестигранний ключ
13. Фіксуючий важіль для регулювання глибини
14. Лінійка напрямної краю

15. Лезо
16. Ручка, ізольована поверхня для утримання

ОБСЛУГОВУВАННЯ

⚠ ПОПЕРЕДЖЕННЯ

Продукт не повинен бути підключений до джерела живлення, коли ви збираєте деталі, регулюєте, чистите, проводите технічне обслуговування або коли продукт не використовується. Відключення продукту допоможе уникнути випадкового запуску, який може призвести до серйозних травм.

- При обслуговуванні використовуйте тільки оригінальні запасні частини виробника. Використання будь-яких інших деталей може створити небезпеку або спричинити пошкодження продукту.
- Не використовуйте розчинники для очищення пластмасових деталей. Більшість пластмас вразлива до різних видів комерційних розчинників і може бути пошкоджена їх використанням. Використовуйте чисті ганчірки для видалення бруду і вугільного пилу.
- Ніколи не дозволяйте гальмівній рідині, бензину, продуктам на основі нафти, і проникаючим маслам вступати в контакт з пластиковими деталями. Вони містять хімічні речовини, які можуть зашкодити, послабити або знищити пластик.
- Завжди надягайте захисні окуляри або захисні окуляри з бічними щитками під час роботи електроінструмента або при здуванні пилу. Якщо робота пильна, також носіть захисну маску.
- Для більшої безпеки і надійності, всі ремонтні роботи повинні виконуватися уповноваженим RYOBI сервісним центром.

ЗМАЩУВАННЯ

Всі підшипники в продукті змащені достатньою кількістю високоякісного мастила для всього терміну служби продукту при нормальних умовах експлуатації. Таким чином, додаткове змащення не потрібно.

СИМВОЛИ



Попередження безпеки



Постійний струм



Дерево



Чи не різати метал



Завжди надягайте захисні окуляри.



Небезпека! Леза дуже гострі.



Не піддавайте впливу дощу або вологих умов.



Ширина різів



Зубці леза



Будь ласка, уважно прочитайте інструкцію перед запуском продукту.

Не викидайте старі акумулятори, старе електричне та електронне устаткування разом із несорттованим побутовим сміттям. Старі акумулятори, старе електричне та електронне устаткування збираються окремо. З устаткування необхідно зняти старі батареї, акумулятори та джерела світла. За інформацією стосовно утилізації або місць збору звертайтеся до місцевої влади або дилера. Місцеве законодавство може зобов'язувати продавців безкоштовно приймати старі акумулятори та електричне й електронне устаткування. Ваш внесок до справи повторного використання та переробки старих акумуляторів, електричного та електронного устаткування зменшує потребу у сировині. В акумуляторах, особливо літєвих, і старому електричному та електронному устаткуванні містяться цінні, придатні для переробки матеріали, і якщо утилізація такого устаткування проводиться у неекологічний спосіб, це негативно впливає на навколишнє середовище та людське здоров'я. Видалить персональні дані з устаткування, яке передається на переробку.



Döner testereimizin tasarımında en yüksek önceliği güvenlik, performans ve güvenilirliğe verdik.

KULLANIM AMACI

Döner testere, sadece bu kılavuzdaki talimatları ve uyarıları okuyup anlamış olan ve hareketlerinden sorumlu tutulabilecek yetişkinlerce kullanılmak üzere geliştirilmiştir.

Ürün azami 45 mm derinliğe kadar olan ahşap veya benzer malzemelerin yararak ve enine kesimi için tasarlanmıştır. Ürün düz veya 0 ve 50 derece arasında konik kesimler yapabilir. Kullanım sırasında aletin tabanı işlenen parçaya temas ediyor olmalıdır. Testere kuru, iyi aydınlanan ve havalandırılan bir alanda kullanılmalıdır.

Ürün elle kullanılmak üzere tasarlanmıştır. Testere üreticisi tarafından bu yönde özel talimat verilmedikçe, ürün bir çalışma tezgahına monte edilemez. Metal veya taş kesmek için kullanmayın.

Bu ürünü belirtilen kullanım amacı dışında herhangi bir amaçla kullanmayın. Elektrikli aletin tasarladığından farklı bir işte kullanılması tehlikeli durumlara neden olabilir.

⚠ UYARI

Bu aletle birlikte verilen tüm uyarı, talimat ve özellikleri dikkatlice okuyunuz ve resimli açıklamalara bakınız. Aşağıda belirtilen talimatlara uyulmaması, yangın, elektrik çarpması ve/veya ciddi bedensel yaralanmalar gibi kazalar sebep olabilir.

Tüm uyarıları ve talimatları daha sonra başvurmak üzere saklayın.

DÖNER TESTERE GÜVENLİK UYARILARI

KESME USULLERİ

⚠ TEHLİKE

Ellerinizi bıçağın kesim alanından uzak tutun. Aletin ana sapını tutmayan el yardımcı sapını tutmalıdır yada motor karterine dayalı durmalıdır. Böylece, elleriniz kesim alanında, bıçağın kesim alanında bulunmayacaktır.

- **Çalışma parçasının altına ulaşmayın.** Kesimin derinliğini kesilecek maddenin kalınlığına göre ayarlayınız.
- **Bıçağın dişleri, kesim esnasında kesilecek maddenin altına tamamen geçmemelidir.** Kesilecek maddeyi elleriniz ile yada bacaklarınız arasında ASLA tutmayın.
- **Sabit bir desteğin üzerine koyunuz. İşlenecek parçayı sağlam bir platforma tespit edin.** Elektrik teller içerebilecek bir yüzey üzerinde çalışırken veya yapılması gereken çalışma besleme kordonunun aletin geçişi üzerinde durmaması neden olacağına aleti yalnızca yalıtılmış veya kaymayan kısımlardan tutunuz.
- **Kesici aksesuarlar gizli kablo tesisatını kesebileceği için, matkapla çalışırken izolasyonlu tutma yüzeylerinden tutun.** "Elektrikli" bir tele temas etmek elektrikli aletin açıkta kalan metal bölümlerini de "elektrikli" hale getirerek kullanıcıyı elektrik çarpmasına neden olabilir.

- **Kesimin netliği daha iyi olacaktır ve bıçağı eğme riskinden kaçınacaksınız.** Daima, dingilin iç perdahına uygun boy ve şekilde bıçak kullanınız.
- **Dingilin niteliğine uygun olmayan bıçaklar düzgün olarak dönmeyecekler ve aletin kontrolünün kaybedilmesine neden olacaklardır.** Asla defolu yada uygun olmayan vida ve bıçak kenedi kullanmayınız.
- **Bıçak kenetleri ve vidaları sizin testere modelinize göre, azami güvenlik ve performans için üretilmiştir.** Tüm testere tipleri için ilave güvenlik talimatları

GERİ TEPME NEDENLERİ VE İLGİLİ UYARILAR:

- Bıçak ahşabın içinde sıkıştığında, bıçak durur ve çalışmaya devam eden motor, testereyi bıçağın dönme yönünün aksine yani kullanıcıya doğru fırlatır.
- Şayet bıçak eğilmiş yada yanlış yerleştirilmiş ise bıçağın arka kısmında bulunan dişlerin ahşabın içerisine girme riski bulunur ve bu da bıçağın maddeden kullanıcıya doğru ani bir şekilde çıkmasına sebep olur.
- Dolayısı ile sıçrama, aletin kötü kullanımının ve/veya yanlış kesim şekillerinin yada şartlarının sonucudur.

Birkaç önleme yarak engellenebilir.

- **Testereyi iki eliniz ile sıkıca tutunuz ve ani bir sıçramayı kontrol edebilecek şekilde kollarınızı şekillendiriniz. Çalışırken daima testerenin yan tarafında olunuz, asla bıçak hizasında bulunmayınız.** Sıçrama testereyi ani olarak geri atar, ancak kullanıcı bekliyor ve hazır ise kontrol edilebilir.
- **Şayet bıçak sıkışır, yada siz herhangi bir sebepten dolayı kesimi durdurmak zorunda kalırsanız, çalıştırma düğmesini bırakınız ve bıçak tamamen duruncaya dek bıçağı kesilen maddenin içerisinde bırakınız.** Bıçak hareket ederken testereyi asla geri çekmeye çalışmayın veya testereyi çalışma malzemesinden çekmeyin; geri tepme meydana gelebilir. Şayet bıçak sıkışır, sebebini araştırın ve bir daha olmaması için önlemleri alın.
- **Bir kesime devam etmek için testereyi tekrar çalıştırmadan evvel, bıçağı testerenin çizgisi ile hizalayınız ve dişlerin kesilecek maddeye temas etmediğinden emin olunuz.** Şayet bıçak kesilecek maddenin içinde sıkışmış ise, testerenin tekrar çalıştırılması ile bir sıçrama oluşması riski bulunmaktadır.
- **Bıçağın sıkışmasını engellemek için kesilecek uzun maddelerin sabitlenmesine ve böylece sıçrama risklerini azaltmaya dikkat ediniz.** Kesilecek uzun maddeler kendi ağırlıklarından dolayı bel vermeye eğilimlidir. Kesilecek maddenin iki ucuna, kesim çizgisinin yakınına maddenin uç hizasına destekler yerleştirebilirsiniz.
- **Körelmiş yada zarar görmüş bıçakları kullanmayınız, iyi bilenmemiş yada yerleştirilmemiş bıçaklar, bıçağın aşırı sürtünmesine sebep olacak ince işaret meydana getirecektir ve bu da sürtünme ve sıçrama riskleri oluşturacaktır.** Ya da bilenmiş uygunsuz bıçak seti dar kesime yol açarak aşırı sürtünmeye, kesim bağlayıcı ve geri tepmeye neden olur.

- Bir kesime başlamadan evvel, derinlik ve eğilme ayarı düğmelerinin düzgün şekilde bloke edilmiş olduklarından emin olunuz. Şayet bıçak pozisyonu düğmeleri kesim esnasında değiştirilirse, bu bıçağın sıkışmasına ve sıçramanın oluşmasına sebep olabilir.
- Mevcut duvarlarda ve kör noktalarda bıcıklama yaparken daha dikkatli olunmalıdır. Bıçak, sıçramaya sebep olabilecek saklı maddelere çarpabilir.

DÜŞÜK KORUMA FONKSİYONU

- Her kullanımdan önce, alt bıçak koruyucunun bıçağı iyi kavradığınızdan emin olunuz. Şayet alt bıçak koruyucu serbest olarak çalışmıyor ise ve anında bıçağı kavrayamıyor ise testerenizi kullanmayınız. Alt bıçak koruyucuyu asla açık pozisyonda sabitlemeyiniz yada bağlamayınız. Şayet testere kaza ile düşer ise, alt bıçak koruyucu katlanabilir. Alt bıçak koruyucuyu anahtar yardımı ile kaldırınız ve zorlanmadan oynayabildiğinden ve kesim açısı ve derinliği ne olursa olsun ne bıçağı ne de başka bir parçaya temas etmediğinden emin olunuz.
- Alt bıçak koruyucunun yayının iyi durumda ve doğru şekilde çalıştığından emin olunuz. Şayet bıçak koruyucu yada yayı düzgün bir şekilde çalışmıyor ise, testerenizi kullanmadan evvel tamir ettiriniz yada değiştiriniz. Hasarlı parçalar, yapışan kalıntılar veya kir oluşumu alt koruyucunun sorunlu çalışmasına neden olabilir.
- Alt koruyucu, sadece “dip kesimleri” ve “bileşen kesimleri” gibi özel kesimlerde kapatılabilir. Alt bıçak koruyucuyu anahtar yardımı ile kaldırınız. Sonra, bıçak kesilecek maddeye girdiğinde, alt bıçak koruyucuyu bırakınız. Diğer tip kesimler için, alt bıçak koruyucu kendi kendisine yerini almaktadır.
- Testerenizi çalışma masasına yada yere koymadan evvel, dış bıçak koruyucunun bıçağı iyi örttüğünden emin olunuz. Şayet bıçak iyi örtülüyor ise, kontrolsüzce dönebilir ve alanında bulunan her şeyi kesebilir. Motorun durmasından sonra bıçağın bir süre daha dönmesi konusunda dikkatli olunuz.

- Kesilecek malzemede -özellikle geri dönüştürülmüş odun kullanırken- çivi, vida ve zimba teli gibi yabancı nesnelere olup olmadığını iyice kontrol edin. Eğer çivi, vida, zimba teli veya benzer nesnelere kesme işlemi sırasında bıçağına temas ederse testere hasar görür ve operatör veya diğer kişiler yaralanabilir.
- Kesme işi bittikten hemen sonra testere bıçağına dokunmayın. Kesme işi sırasında testere bıçağı ısınır.
- Sadece markalarla uyumlu bıçak çapı/çapları kullanın.
- Kesilecek malzemeyle kullanılması uygun, doğru testere bıçağıni belirleyin.
- Sadece alet üzerinde işaretli hız eşit veya ondan daha yüksek hızla sahip testere bıçaklarını kullanın.
- Ahşap ve benzeri materyaller için kullanılacaksa, sadece üretici tarafından tavsiye edilen ve EN 847-1 uyumlu testere bıçakları kullanın.
- Toz maskesi kullanın.
- Alet için ortam sıcaklığı aralığı çalışma sırasında 0 °C ile 40 °C arasındadır.
- Alet için depolama ortam sıcaklığı aralığı 0 °C ile 40 °C arasındadır.
- Şarj sırasında şarj sistemi için önerilen ortam sıcaklığı aralığı 10 °C ile 38 °C arasındadır.

PİL İÇİN EK GÜVENLİK UYARILARI

⚠ UYARI

Bir kısa devreden kaynaklanan yangın, yaralanma veya ürün hasarları tehlikesini önlemek için aleti, güç paketini veya şarj cihazını asla sıvıların içine daldırmayınız ve cihazların ve pillerin içine sıvı girmesini önleyiniz. Tuzlu su, belirli kimyasallar, ağartıcı madde veya ağartıcı madde içeren ürünler gibi korozif veya iletken sıvılar kısa devreye neden olabilir.

- Batarya için ortam sıcaklığı aralığı çalışma sırasında 0 °C ile 40 °C arasındadır.
- Batarya için depolama ortam sıcaklığı aralığı 0 °C ile 20 °C arasındadır.

LİTYUM PİLLERİN NAKLİYESİ

Pili yerel ve ulusal hükümlere ve yönetmeliklere göre nakledin.

Piller üçüncü bir şahıs tarafından nakledilirken ambalaj ve etiket üzerindeki tüm özel gereksinimlere uyun. Açtıktaki konektörleri iletken olmayan yalıtım başlıkları veya bandı ile koruyarak pillerin nakliye sırasında diğer pillerle veya iletken materyallerle temas etmediğinden emin olun. Çatlak veya sızıntı yapan pilleri nakletmeyin. Daha fazla bilgi için nakliye şirketine danışın.

ARDIL RİSKLER

Ürün belirtildiği şekilde kullanıldığı zaman bile belirli artık risk faktörlerinin tamamen ortadan kaldırılması mümkün değildir. Kullanım sırasında aşağıdaki tehlikeler ortaya çıkabilir ve operatör bunlardan kaçınmak için özellikle dikkat etmelidir:

İLAVE GÜVENLİK UYARILARI

- Ürünü kullanırken oluşan toz sağlığınıza zararlı olabilir, yanıcı veya patlayıcı olabilir. Tozu solumayın. Bir toz tahliye sistemi kullanın ve tozdan koruyan nitelikte bir maske takın. Ortaya çıkan tozu, elektrikli süpürge gibi bir makineyle iyice temizleyin.
- Hasar görmüş zımpara diskini asla kullanmayınız.
- Bıçak uçlarının fazla ısınmamasına dikkat edin. Körelmiş yada zarar görmüş bıçakları kullanmayınız, iyi bilenmemiş yada yerleştirilmemiş bıçaklar, bıçağın aşırı sürtünmesine sebep olacak ince işaret meydana getirecektir ve bu da sürtünme ve sıçrama riskleri oluşturacaktır. Alete güç uygulamayın.
- Tavsiye edilenden daha büyük veya küçük çapta bıçaklar kullanmayın.
- Koruyucu kulaklık kullanın.
- İş parçasını bir mengine ile sıkıştırın. Sabitlenmemiş parçalar ciddi yaralanmaya ve hasara sebep olabilir.

- Geri tepme kaynaklı yaralanma
 - Bu kılavuzdaki bilgileri okuyup anlayın.
- Titreşim kaynaklı yaralanma
 - Maruziyet seviyesini sınırlandırın. Bkz. “Risk Azaltma”.
- Toz kaynaklı yaralanmalar
 - Her zaman koruyucu gözlük kullanın. İşlenmekte olan materiyalden çıkan toza ve taşlama diskinden çıkan aşındırıcı parçacıklara karşı koruma sağlayabilecek uygun filtrelerle sahip doğru bir toz maskesi takın. Çalışma alanı içinde bir şey yemeyin, içmeyin veya sigara içmeyin. Çalışma yerinin uygun şekilde havalandırıldığından emin olun.
- Elektrik çarpması
 - Bıçak, gizlenmiş kablolarla temas edebilir ve ürün parçalarına elektrik verilmesine neden olabilir. Ürünü her zaman belirtilen saplarından tutun ve kabloların gizlenmiş olabileceği duvarlarda ve zeminlerde kör kesim yaparken dikkatli olun.

NOT: Duvar, tavan veya zemin üzerinde çalışırken elektrik kablolarından ve gaz veya su borularından uzak durmaya dikkat edin.

- Kesme bıçağına temas nedeniyle yaralanma
 - Bıçaklar çok keskindir ve kullanım sırasında ısınır. Bıçakları değiştirirken eldiven takın. Ellerinizi her zaman kesme alanından uzak tutun. Sabit bir desteğin üzerine koyunuz. İş parçasını mümkün olduğunda kelepçelerle sabitleyin.

RİSK AZALTMA

El aletlerinden kaynaklanan titreşimlerin belirli kişilerde Raynaud Sendromu olarak adlandırılan bir durumu etkileyebileceği rapor edilmiştir. Karıncalanma, hissizlik ve parmakların sararması gibi genelde soğuğa maruz kaldıktan sonra görülen semptomlar oluşabilir. Kalıtsal faktörler, soğuğa ve neme maruz kalmak, diyet, sigara ve çalışma pratikleri de bu semptomların oluşmasına neden olabilecek etkenler olarak kabul edilmektedir. Operatör titreşim etkilerini azaltabilecek önlemler olabilir:

- Soğuk havalarda vücudunuzu sıcak tutun. Ürünü çalıştırırken ellerinizi ve bileklerinizi sıcak tutmak için eldiven takın. Soğuk havanın Raynaud Sendromunun ana tetikleyicilerinden olduğu bildirilmiştir.
- Her operasyon sürecinden sonra kan dolaşımını arttırmak için egzersiz yapın.
- Sık sık işe ara verin. Günlük maruziyet miktarını sınırlandırın.

Bu rahatsızlığın semptomlarından herhangi birini görürseniz, aleti kullanmayı derhal bırakın ve bir doktora görünün.

⚠ UYARI

Bir aletin uzun süre kullanılması nedeniyle yaralanmalar olabilir veya mevcut yaraların durumu kötüleşebilir. Herhangi bir aleti uzun bir süre boyunca kullanırken düzenli olarak ara vermeyi ihmal etmeyin.

ÜRÜNÜNÜZÜ TANIYIN

Sayfa 109'ya bakın.

1. Kenar kılavuz topuzu
2. Eğim ayar topuzu
3. Mil kilitleme düğmesi
4. Ön tutamak, yalıtılmış kavrama yüzeyi
5. Çalıştırma düğmesinin kilit açma düğmesi
6. Tetik anahtarı
7. Pii bağlantı noktası
8. Toz Borusu bağlantısı
9. İç flanş
10. Dış flanş
11. Bıçak Vidası
12. Altıgen anahtar
13. Derinlik ayarı kilit mandalı
14. Kenar kılavuz siperi
15. Bıçak
16. Tutamak, yalıtılmış kavrama yüzeyi

BAKIM

⚠ UYARI

Parçaları monte ederken, ayar, temizlik, bakım çalışması yaparken veya ürün kullanılmadığı zaman ürünü asla güç kaynağına bağlamayın. Ürünün bağlantısının kesilmesi ciddi yaralanmalara neden olabilecek kazara çalışmayı önleyecektir.

- Uygulama sırasında yalnızca üreticinin orijinal yedek parçalarını kullanın. Diğer parçaları kullanmak tehlike yaratabilir ya da hasara neden olabilir.
- Plastik parçaları temizlerken solventleri kullanmaktan kaçının. Plastiklerin çoğu ticari kullanımlı uçucu maddeler karşı hassastır. Lekeleri, tozu, vb. temizlemek için temiz bir bez kullanınız.
- Asla fren hidroliğinin, benzinin, petrol esaslı ürünlerin, yüzeye işleyen yağların vb. plastik parçalarla temas etmesine izin vermeyin. Bu kimyasal ürünler, plastiğe zarar verebilecek, kırılır hale getirebilecek ya da yok edebilecek maddeler içermektedir.
- Elektrikli aletlerle çalışma veya toz üfleme işlemi esnasında daima aynı siperlikleri bulunan koruyucu gözlükler kullanın. İşlem tozlu olursa aynı zamanda bir toz maskesi de kullanın.
- Daha yüksek güvenlik ve güvenilirlik için tüm onarım çalışmaları yetkili bir RYOBI servis merkezi tarafından yapılmalıdır.

YAĞLAMA

Üründeki tüm yataklar normal çalışma koşullarında ürünün hizmet ömrü boyunca yeterli miktarda yüksek kalite yağ ile yağlanır. Buna göre, fazladan yağlama yapılmasına gerek yoktur.

SEMBOLLER



Güvenlik ikazı



Doğru akım



Ahşap



Metal kesmeyin



Koruyucu gözlük kullanın



Tehlike! Keskin bıçak.



Aleti yağmur altında bırakmayın



Kesim genişliği



Bıçak dişleri



Makineyi çalıştırmadan talimatları dikkatlice okuyun.

Atık pilleri, atık elektrikli ve elektronik ekipmanı, sınıflandırılmamış belediye atığı olarak bertaraf etmeyin. Atık piller ile atık elektrikli ve elektronik ekipmanlar ayrıca toplanmalıdır. Atık pil, akü ve ışık kaynakları ekipmandan çıkarılmalıdır. Yerel otorite veya satıcıdan geri dönüşüm tavsiyesi alın ve toplama noktasını öğrenin. Yerel düzenlemelere göre perakendecilerin atık piller ile atık elektrikli ve elektronik ekipmanı ücretsiz olarak geri alma yükümlülüğü olabilir. Atık bataryaların yanı sıra atık elektrikli ve elektronik ekipmanların yeniden kullanımı ve geri dönüşümüne katkınız, hammadde talebini azaltmaya yardımcı olur. Özellikle lityum içeren atık piller ile atık elektrikli ve elektronik ekipmanlar, çevreye uyumlu bir şekilde bertaraf edilmediği takdirde çevre ve insan sağlığını olumsuz yönde etkileyebilecek değerli ve geri dönüştürülebilir malzemeler içerir. Varsa, atık ekipmandaki kişisel verileri silin.



Κατά το σχεδιασμό του δισκοπριονίου δόθηκε ιδιαίτερη προτεραιότητα στην ασφάλεια, την απόδοση και την αξιοπιστία του.

ΠΡΟΟΡΙΖΟΜΕΝΗ ΧΡΗΣΗ

Το δισκοπρίονο προορίζεται αποκλειστικά για χρήση από ενήλικες που έχουν διαβάσει και κατανοήσει τις οδηγίες και τις προειδοποιήσεις του παρόντος εγχειριδίου, ενώ μπορούν να θεωρηθούν υπεύθυνοι για τις πράξεις τους.

Το εργαλείο έχει σχεδιαστεί για εντομή και σταυροειδή κοπή ξύλου βάρους μέχρι 45 χιλιοστά. Το εργαλείο μπορεί να εκτελέσει ίσια και λοξή τομή μεταξύ 0 και 50 μοιρών. Προορίζεται για χρήση με τη βάση του εργαλείου σε επαφή με το αντικείμενο εργασίας. Πρέπει να χρησιμοποιείται μόνο σε στεγνό, καλά φωτισμένο και καλά αεριζόμενο χώρο.

Το προϊόν έχει σχεδιαστεί να χρησιμοποιείται με κράτημα στα χέρια. Το προϊόν δεν πρέπει να στερεώνεται σε επιφάνεια εργασίας εκτός αν παρέχονται ειδικές οδηγίες γι' αυτό από τον κατασκευαστή του πριονιού. Να μην χρησιμοποιείται για κοπή μετάλλου ή τοιχοποιίας.

Μην χρησιμοποιείτε το προϊόν με τρόπο διαφορετικό από αυτόν που αναφέρεται για τη χρήση του. Η χρήση του μηχανοκίνητου εργαλείου για εργασίες διαφορετικές από τις προοριζόμενες μπορεί να προκαλέσει κινδύνους.

⚠️ ΠΡΟΕΙΔΟΠΟΙΗΣΗ

Διαβάστε προσεκτικά όλες τις προειδοποιήσεις, οδηγίες και προδιαγραφές που παρέχονται με το εργαλείο και ανατρέξτε στις εικόνες. Η μη τήρηση των ακόλουθων οδηγιών μπορεί να επιφέρει ατυχήματα όπως πυρκαγιές, ηλεκτροπληξίες ή και σοβαρό σωματικό τραυματισμό.

Φυλάσσετε όλες τις προειδοποιήσεις και οδηγίες για μελλοντική χρήση.

ΠΡΟΕΙΔΟΠΟΙΗΣΕΙΣ ΑΣΦΑΛΕΙΑΣ ΔΙΣΚΟΠΡΙΟΝΟΥ

ΔΙΑΔΙΚΑΣΙΕΣ ΚΟΠΗΣ

⚠️ ΚΙΝΔΥΝΟΣ

Κρατάτε τα χέρια σας μακριά από την περιοχή κοπής και την λεπίδα. Το χέρι που δεν κρατά την κύρια λαβή του εργαλείου πρέπει να κρατά τη βοηθητική λαβή ή να είναι ακουμπισμένο επάνω στο κάρτερ του κινητήρα. Έτσι, τα χέρια σας δεν θα κινδυνεύουν να βρεθούν στη ζώνη κοπής, στη διαδρομή του δίσκου.

- Μην απλώνετε τα χέρια σας κάτω από το τεμάχιο εργασίας. Ρυθμίστε το βάθος κοπής ανάλογα με το πάχος του προς επεξεργασία αντικείμενου.
- Τα δόντια του δίσκου δεν πρέπει να περισσεύουν πλήρως κάτω από το προς επεξεργασία αντικείμενο κατά την κοπή. Μη κρατάτε ΠΟΤΕ το προς επεξεργασία αντικείμενο με το χέρι ή ανάμεσα στα πόδια σας.
- Στερεώστε το σε μια σταθερή βάση. *İşlenecek parçayı sağlam bir platforma tespit edin.* Κρατάτε το εργαλείο μόνο από τα μονωμένα και αντισλοισθητικά τμήματα όταν εργάζεστε σε επιφάνεια η οποία μπορεί

να κρύβει ηλεκτρικά καλώδια ή όταν η εργασία που θα πραγματοποιήσετε κινδυνεύει να φέρει το καλώδιο παροχής ρεύματος στην διαδρομή του εργαλείου.

- **Κρατάτε το εργαλείο από τις μονωμένες επιφάνειες λαβής όταν εκτελείτε εργασίες όπου το εξάρτημα κοπής μπορεί να έρθει σε επαφή με κρυφές καλωδιώσεις.** Η επαφή με ηλεκτροφόρο καλώδιο εκθέτει τα μεταλλικά εξαρτήματα του εργαλείου στο ρεύμα και μπορεί να προκαλέσει ηλεκτροπληξία στον χειριστή.
- **Η ακρίβεια κοπής θα βελτιωθεί και θα αποφεύγετε τον κίνδυνο να διπλώσει ο δίσκος.** Χρησιμοποιείτε πάντα δίσκους μεγέθους και σχήματος που να ταιριάζουν στο διαμέτρημα του άξονα.
- **Οι ακατάλληλοι για τον άξονα στον οποίο θα τοποθετηθούν δίσκοι δεν θα περιστραφούν σωστά και μπορούν να σας κάνουν να χάσετε τον έλεγχο του εργαλείου.** Μη χρησιμοποιείτε ποτέ ελαττωματικές ή ακατάλληλες βίδες ή φλάντζες δίσκου.
- **Οι φλάντζες και οι βίδες δίσκου έχουν σχεδιαστεί ειδικά για αυτό το μοντέλο πριονιού, για βέλτιστη ασφάλεια και αποτελεσματικότητα.** Συμπληρωματικές συστάσεις ασφαλείας για κάθε τύπο πριονιού

ΑΙΤΙΕΣ ΕΠΙΣΤΡΟΦΗΣ ΚΑΙ ΣΧΕΤΙΚΕΣ ΣΥΣΤΑΣΕΙΣ:

- Το πριόνι απελευθερώνεται απότομα από το προς επεξεργασία αντικείμενο και οπισθοχωρεί βίαια προς την κατεύθυνση του χρήστη.
- Όταν ο δίσκος σφηνώσει στο ξύλο, ο δίσκος ακινητοποιείται και ο κινητήρας, ο οποίος εξακολουθεί να περιστρέφεται, εκτοξεύει το πριόνι προς την αντίθετη κατεύθυνση από την διεύθυνση περιστροφής του δίσκου, δηλαδή προς το χρήστη.
- Αν ο δίσκος στραβώσει ή δεν είναι σωστά ευθυγραμμισμένος, τα δόντια που βρίσκονται στο πίσω μέρος του δίσκου κινδυνεύουν να εισέλθουν στην επιφάνεια του ξύλου, γεγονός που θα κάνει το δίσκο να εξέλθει απότομα από το προς επεξεργασία αντικείμενο προς την κατεύθυνση του χρήστη.

Το κλότσημα είναι συνήθως το αποτέλεσμα λανθασμένης χρήσης του εργαλείου ή/και λανθασμένων διαδικασιών ή συνθηκών κοπής.

- Μπορεί να αποφευχθεί φροντίζοντας να τηρηθούν ορισμένες προφυλάξεις. Κρατάτε γερά το πριόνι με τα δυο σας χέρια και τοποθετήστε τα μπράτσα σας έτσι ώστε να μπορούν να ελέγξουν το ενδεχόμενο κλότσημα. Σταθείτε από τη μια πλευρά του πριονιού όταν εργάζεστε, αλλά μη στέκεστε ποτέ στην ευθεία του δίσκου. Το κλότσημα εκτοξεύει απότομα το πριόνι προς τα πίσω, ωστόσο η κίνηση αυτή μπορεί να ελεγχθεί αν ο χρήστης την περιμένει και είναι προετοιμασμένος.
- Αν ο δίσκος σφηνώσει ή αν πρέπει να διακόψετε την κοπή για οιοδήποτε λόγο, απελευθερώστε τη σκανδάλη και κρατήστε το πριόνι μέσα στο προς επεξεργασία αντικείμενο έως ότου ο δίσκος σταματήσει εντελώς να περιστρέφεται. Μην προσπαθείτε ποτέ να αφαιρέσετε τον κόπτη από το τεμάχιο ή να τον τραβήξετε προς τα πίσω ενώ η λεπίδα κινείται, διαφορετικά υπάρχει κίνδυνος επιστροφής. Αν ο δίσκος σφηνώσει, αναζητήστε την

αιτία και λάβετε τα απαραίτητα μέτρα ώστε να μην επαναληφθεί.

- **Πριν θέσετε πάλι το πριόνι σε λειτουργία για να συνεχίσετε μια κοπή, ευθυγραμμίστε σωστά το δίσκο με την εγκοπή του πριονιού και βεβαιωθείτε πως τα δόντια δεν αγγίζουν το προς επεξεργασία αντικείμενο.** Αν ο δίσκος έχει σφηνώσει μέσα στο προς επεξεργασία αντικείμενο, κινδυνεύει να προκληθεί κλότσημα όταν το πριόνι τεθεί σε λειτουργία.
- **Φροντίστε να υποστηρίξετε τα μακριά προς επεξεργασία αντικείμενα ώστε να αποφύγετε το σήνωμα του δίσκου και να περιορίσετε έτσι τον κίνδυνο κλοτσηματος.** Τα μακριά προς επεξεργασία αντικείμενα έχουν την τάση να λυγίζουν λόγω ίδιου τους του βάρους. Μπορείτε να τοποθετήσετε υποστηρίγματα και από τις δυο πλευρές του προς επεξεργασία αντικειμένου, κοντά στη γραμμή κοπής και στο επίπεδο της άκρης του αντικειμένου.
- **Μη χρησιμοποιείτε αμβλυμμένους ή φθαρμένους δίσκους.** Οι μη ακονισμένοι ή λάθος τοποθετημένοι δίσκοι θα δημιουργήσουν μια εγκοπή πριονιού επιφύεροντας υπερβολική τριβή του δίσκου και συνεπώς μεγαλύτερο κίνδυνο στρέβλωσης και κλοτσηματος.
- **Πριν αρχίσετε μια κοπή, ελέγξτε πως οι διακόπτες ρύθμισης του βάθους και της κλήσης είναι σωστά ακινητοποιημένοι.** Αν οι ρυθμίσεις της θέσης του δίσκου τροποποιηθούν κατά τη διάρκεια της κοπής, ο δίσκος κινδυνεύει να σφηνώσει και μπορεί να προκληθεί κλότσημα.
- **Προσέχετε ιδιαίτερα όταν κόβετε σε υπάρχοντες τοίχους ή άλλες τυφλές περιοχές.** Ο δίσκος θα μπορούσε να βρει σε κρυμμένα στοιχεία, γεγονός που θα προκαλούσε κλότσημα.

ΛΕΙΤΟΥΡΓΙΑ ΚΑΤΩ ΠΡΟΣΤΑΤΕΥΤΙΚΟΥ

- **Πριν από κάθε χρήση, ελέγχετε πως το κάτω προστατευτικό λάμας καλύπτει σωστά το δίσκο. Μη χρησιμοποιείτε το πριόνι σας αν το κάτω προστατευτικό λάμας δεν μπορεί να κινηθεί ελεύθερα και αν δεν τοποθετείται αμέσως επάνω στο δίσκο. Μην στερεώνετε και μη ασφαρίζετε ποτέ το κάτω προστατευτικό λάμας στην ανοικτή θέση.** Αν το πριόνι πέσει κατά λάθος, το κάτω προστατευτικό λάμας μπορεί να αναδιπλωθεί. Ανασηκώστε το κάτω προστατευτικό λάμας με τη βοήθεια του μοχλού και βεβαιωθείτε πως μπορεί να μετακινηθεί χωρίς δυσκολία και πως δεν αγγίζει ούτε το δίσκο ούτε κανένα άλλο τμήμα όποια γωνία και βάθος κοπής και αν έχει επιλεγεί.
- **Βεβαιωθείτε πως το ελατήριο του κάτω προστατευτικού λάμας είναι σε καλή κατάσταση και λειτουργεί σωστά. Αν το προστατευτικό λάμας ή το ελατήριο δεν λειτουργούν σωστά, ζητήστε την επιδιόρθωσή τους ή την αντικατάστασή τους πριν χρησιμοποιήσετε το πριόνι σας.** Το κάτω προστατευτικό μπορεί να λειτουργεί ελαττωματικά εξαιτίας κατεστραμμένων εξαρτημάτων, αποθέσεων ή συσσώρευσης υπολειμμάτων.
- **Το κάτω προστατευτικό μπορεί να τραβηχτεί μη αυτόματα μόνο για ειδικές κοπές όπως "βαθιές κοπές" και "σύνθετες κοπές".** Σηκώστε το κάτω

προστατευτικό λάμας με το μοχλίσκο. Στη συνέχεια, μόλις ο δίσκος εισέλθει στο προς επεξεργασία αντικείμενο, απελευθερώστε το κάτω προστατευτικό λάμας. Για όλους τους υπόλοιπους τύπους κοπής, το κάτω προστατευτικό λάμας τοποθετείται αυτόματα στη θέση του.

- **Ελέγχετε πάντα πως το κάτω προστατευτικό λάμας καλύπτει όντως το δίσκο πριν ακουμπήσετε το πριόνι σας σε πάγκο ή στο πάτωμα.** Αν ο δίσκος δεν καλύπτεται σωστά, μπορεί να περιστραφεί με τη δύναμη της αδράνειας και να κόψει κάτι που θα βρίσκεται στην πορεία του. Να έχετε γνώση του γεγονότος ότι ο δίσκος εξακολουθεί να περιστρέφεται για κάποιο διάστημα μετά τη διακοπή του κινητήρα.

ΕΠΙΠΡΟΣΘΕΤΕΣ ΠΡΟΕΙΔΟΠΟΙΗΣΕΙΣ ΑΣΦΑΛΕΙΑΣ

- **Η σκόνη που παράγεται κατά τη χρήση του προϊόντος μπορεί να είναι επιβλαβής για την υγεία, εύφλεκτη ή εκρηκτική. Μην εισπνέετε τα πριονίδια.** Χρησιμοποιείτε σύστημα εξώθησης σκόνης και φοράτε κατάλληλη μάσκα προστασίας. Αφαιρείτε τα πριονίδια που έχουν μείνει προσεκτικά, π.χ. με ηλεκτρική σκούπα.
- **Μη χρησιμοποιείτε ποτέ λειαντικό δίσκο.**
- **Αποφύγετε την υπερθέρμανση των άκρων των λεπίδων. Μη χρησιμοποιείτε αμβλυμμένους ή φθαρμένους δίσκους.** Μην πιέζετε υπερβολικά το εργαλείο.
- **Μην χρησιμοποιείτε λεπίδες μεγαλύτερης ή μικρότερης διαμέτρου από το προτεινόμενο.**
- Φοράτε προστατευτικά αυτιών.
- **Αγκιστρώστε το τεμάχιο με μια συσκευή συγκράτησης.** Ελεύθερα τεμάχια εργασίας μπορούν να προκαλέσουν σοβαρό τραυματισμό και ζημιές.
- **Ελέγξτε προσεκτικά το υλικό που θα κοπεί, ιδιαίτερα όταν χρησιμοποιείτε ανακυκλωμένο ξύλο, για ξένα υλικά όπως καρφιά, βίδες και συρραπτικά.** Αν καρφιά, βίδες, συρραπτικά ή παρόμοια αντικείμενα έρθουν σε επαφή με την λεπίδα κατά την κοπή, ο κόπτης θα υποστεί βλάβη και μπορεί να προκληθεί σοβαρός τραυματισμός στον χειριστή ή σε τρίτους.
- **Μην αγγίζετε τη λεπίδα του κόπτη αμέσως μετά το πριόνισμα.** Η λεπίδα κόπτη θερμαίνεται κατά τη χρήση.
- Χρησιμοποιείτε μόνο πριονολάμες με διάμετρο που συμφωνεί με τις σημάνσεις.
- Εντοπίστε τη σωστή πριονολάμα για το υλικό που πρέπει να κοπεί.
- Χρησιμοποιείτε πριονολάμες με ένδειξη ταχύτητας ίσης ή μεγαλύτερης από αυτή που αναγράφεται στο εργαλείο.
- Χρησιμοποιείτε μόνο πριονολάμες που συνιστώνται από τον κατασκευαστή και οι οποίες συμμορφώνονται με το πρότυπο EN 847-1, εφόσον προορίζονται για κοπή ξύλου και ανάλογων υλικών.
- Φοράτε μάσκα προστασίας από πριονίδια/σωματίδια.
- Το εύρος θερμοκρασίας περιβάλλοντος για το εργαλείο στη διάρκεια της λειτουργίας είναι μεταξύ 0 °C και 40 °C.
- Το εύρος θερμοκρασίας περιβάλλοντος για το την αποθήκευση του εργαλείου είναι μεταξύ 0 °C και 40 °C.

- Το συσπώμενο εύρος θερμοκρασίας περιβάλλοντος για το σύστημα φόρτισης στη διάρκεια της φόρτισης είναι μεταξύ 10 °C και 38 °C.

ΕΠΙΠΡΟΣΘΕΤΕΣ ΠΡΟΕΙΔΟΠΟΙΗΣΕΙΣ ΑΣΦΑΛΕΙΑΣ ΜΠΑΤΑΡΙΑΣ

▲ ΠΡΟΕΙΔΟΠΟΙΗΣΗ

Για να αποτρέπεται τον κίνδυνο πυρκαγιάς λόγω βραχυκυκλώματος, τραυματισμούς ή ζημιές του προϊόντος, να μη βυθίζετε το εργαλείο, τον ανταλλακτικό συσσωρευτή ή τη συσκευή φόρτισης σε υγρά και να φροντίζετε, ώστε να μη διαισθύνουν υγρά στις συσκευές και τους συσσωρευτές Διαβρωτικές ή αγώγιμες υγρές ουσίες, όπως αλατόνερο, ορισμένες χημικές ουσίες και λευκαντικά ή προϊόντα που περιέχουν λευκαντικά, μπορεί να προκαλέσουν βραχυκύκλωμα.

- Το εύρος θερμοκρασίας περιβάλλοντος για την μπαταρία στη διάρκεια της χρήσης είναι μεταξύ 0 °C και 40 °C.
- Το εύρος θερμοκρασίας περιβάλλοντος για την αποθήκευση της μπαταρίας είναι μεταξύ 0 °C και 20 °C.

ΜΕΤΑΦΟΡΑ ΜΠΑΤΑΡΙΩΝ ΛΙΘΙΟΥ

Μεταφέρετε τη μπαταρία σε συμφωνία με τις τοπικές εθνικές διατάξεις και τους κανονισμούς.

Τηρείτε όλες τις ειδικές απαιτήσεις στη συσκευασία και στην ετικέτα κατά τη μεταφορά των μπαταριών από τρίτους. Εξασφαλίστε ότι δεν θα έρχονται σε επαφή οι μπαταρίες με άλλες μπαταρίες ή με αγώγιμα υλικά κατά τη διάρκεια της μεταφοράς, προστατεύοντας τους εκτεθειμένους συνδέσμους με μόνωση, μη αγώγιμα πώματα ή ταινία. Μη μεταφέρετε μπαταρίες που έχουν χτυπήματα ή διαρροή. Ενημερωθείτε από τη πρακτορείο μεταφορών για περαιτέρω ειδοποιήσεις.

ΑΛΛΟΙ ΚΙΝΔΥΝΟΙ

Ακόμη και όταν το προϊόν χρησιμοποιείται σύμφωνα με τις οδηγίες, δεν είναι δυνατή η απόλυτη απαλειφή συγκεκριμένων παραγόντων κινδύνου. Κατά τη χρήση μπορεί να προκύψουν οι ακόλουθοι κίνδυνοι και ο χειριστής πρέπει να δίδει ιδιαίτερη προσοχή προς αποφυγή των εξής:

- Τραυματισμοί από την επιστροφή
 - Διαβάστε και κατανοήστε τις πληροφορίες του παρόντος εγχειριδίου.
- Τραυματισμοί από τον κραδασμό
 - Περιορίστε την έκθεση. Βλ. “Μείωση Κινδύνου”.
- Τραυματισμός που προκαλείται από τη σκόνη
 - Φοράτε πάντα προστατευτικά ματιών. Φοράτε κατάλληλη μάσκα προστασίας με τα σωστά φίλτρα που προστατεύουν από τη σκόνη που προέρχεται από το υλικό εργασίας. Μην τρώτε, πίνετε ή καπνίζετε στον χώρο εργασίας. Βεβαιωθείτε ότι υπάρχει επαρκής εξαερισμός του χώρου εργασίας.
- Ηλεκτροπληξία
 - Η λεπίδα μπορεί να έρθει σε επαφή με κρυφές καλωδιώσεις, προκαλώντας ηλεκτροδότηση σε τμήματα του προϊόντος. Κρατάτε πάντα το προϊόν

από τις ειδικές λαβές και προσέχετε όταν κάνετε κοπές χωρίς ορατότητα σε τοίχους και πατώματα όπου μπορεί να υπάρχουν καλώδια στο εσωτερικό.

ΣΗΜΕΙΩΣΗ Όταν εργάζεστε σε τοίχους, οροφές ή δάπεδα, φροντίστε να αποφεύγετε ηλεκτρικά καλώδια και σωλήνες αερίου ή νερού.

- Τραυματισμός από επαφή με τη λεπίδα κοπής
 - Οι λεπίδες είναι πολύ αιχμηρές και θερμαίνονται κατά τη χρήση. Φοράτε γάντια όταν αλλάζετε λεπίδες. Διατηρείτε συνεχώς τα χέρια σας μακριά από την περιοχή κοπής. Στερεώστε το σε μια σταθερή βάση. Πιάνετε με σφιγκτήρα το τεμάχιο εργασίας όπου αυτό είναι δυνατό.

ΜΕΙΩΣΗ ΚΙΝΔΥΝΟΥ

Έχει αναφερθεί ότι οι κραδασμοί των χειροκίνητων εργαλείων μπορεί να συμβάλλει σε μια πάθηση γνωστή ως Σύνδρομο Raynaud σε ορισμένα άτομα. Τα συμπτώματα περιλαμβάνουν κνησμό, μούδιασμα και λεκότητα των δακτύλων, που εμφανίζονται συνήθως μετά την έκθεση σε κρύο. Κληρονομικοί παράγοντες, έκθεση σε κρύο και υγρασία, κάπνισμα και πρακτικές εργασίας θεωρείται ότι συμβάλλουν στην εκδήλωση των συμπτωμάτων. Μπορούν να ληφθούν μέτρα από το χειριστή για την πιθανή μείωση των επιδράσεων κραδασμών:

- Διατηρείτε το σώμα σας ζεστό όταν ο καιρός είναι ψυχρός. Φοράτε γάντια κατά τον χειρισμό του μηχανήματος, για να διατηρείτε ζεστά τα χέρια και τους καρπούς σας. Ο ψυχρός καιρός είναι κύριος παράγοντας που συμβάλλει στην εκδήλωση του συνδρόμου Raynaud.
- Μετά από κάθε περίοδο λειτουργίας, κάνετε ασκήσεις για να αυξάνετε την κυκλοφορία αίματος.
- Κάνετε τακτικά διαλείμματα κατά την εργασία. Περιορίζετε το σύνολο έκθεσης ανά ημέρα.

Αν παρουσιάσετε οποιοδήποτε σύμπτωμα αυτής της πάθησης, διακόψτε αμέσως τη χρήση και συμβουλευτείτε τον γιατρό σας για τα συμπτώματα.

▲ ΠΡΟΕΙΔΟΠΟΙΗΣΗ

Υπάρχει κίνδυνος πρόκλησης ή επιδείνωσης τραυματισμού, από την παρατεταμένη χρήση εργαλείου. Όταν χρησιμοποιείτε το εργαλείο για μεγάλες περιόδους, κάνετε τακτικά διαλείμματα.

ΓΝΩΡΙΣΤΕ ΤΟ ΠΡΟΪΟΝ ΣΑΣ

Βλέπε σελίδα 109.

1. Κομπι οδηγού άκρως
2. Κομπι προσαρμογής λοξότμησης
3. Πλήκτρο ασφάλισης του άξονα
4. Εμπρός λαβή, μονωμένη επιφάνεια λαβής
5. Κομπι απασφάλισης της σκανδάλης
6. Διακόπτης
7. Ύψος μπαταρίας
8. Σύνδεσμος σωλήνα σκόνης
9. Εσωτερική φλάντζα
10. Εξωτερική φλάντζα
11. Βίδα λεπίδας

12. Εξαγωνικό κλειδί
13. Μοχλός κλειδώματος προσαρμογής βάθους
14. Προστατευτικό οδηγού άκρων
15. Λάμα
16. Λαβή, μονωμένη επιφάνεια λαβής

ΣΥΝΤΗΡΗΣΗ

⚠ ΠΡΟΕΙΔΟΠΟΙΗΣΗ

Το προϊόν δεν πρέπει ποτέ να συνδέεται σε παροχή ισχύος όταν συναρμολογείτε εξαρτήματα, όταν διεξάγετε ρυθμίσεις, καθαρισμό, συντήρηση ή όταν το προϊόν δε χρησιμοποιείται. Μια αποσύνδεση του προϊόντος θα εμποδίσει τυχαία εκκίνηση, η οποία θα μπορούσε να προκαλέσει σοβαρό τραυματισμό.

- Στις εργασίες σέρβις χρησιμοποιείτε μόνο αυθεντικά ανταλλακτικά του κατασκευαστή. Η χρήση οποιουδήποτε άλλου ανταλλακτικού μπορεί να παρουσιάσει κίνδυνο ή να προκαλέσει ζημιά στο εργαλείο σας.
- Αποφύγετε τη χρήση διαλυτών κατά τον καθαρισμό πλαστικών εξαρτημάτων. Τα περισσότερα πλαστικά μπορούν να υποστούν ζημιά από τη χρήση ορισμένων διαλυτών που διατίθενται στο εμπόριο. Χρησιμοποιήστε ένα καθαρό πανάκι για να καθαρίσετε τις ακαθαρσίες, τη σκόνη, κλπ.
- Σε καμία περίπτωση μην επιτρέπετε τα υγρά φρένων, η βενζίνη, προϊόντα με βάση το πετρέλαιο, έλαια που διεισδύουν κλπ. να έρχονται σε επαφή με πλαστικά τμήματα. Τα προϊόντα αυτά περιέχουν χημικές ουσίες που μπορούν να προξενήσουν ζημιά, να μειώσουν ή να καταστρέψουν το πλαστικό.
- Φοράτε πάντα προστατευτικά γυαλιά ή γυαλιά ασφαλείας με πλαϊνές ασπίδες κατά τον χειρισμό μηχανοκίνητων εργαλείων ή σε εργασίες με σκόνη. Αν η εργασία προκαλεί σκόνη, φοράτε και ειδική μάσκα.
- Για μεγαλύτερη ασφάλεια και αξιοπιστία, όλες οι επισκευές πρέπει να εκτελούνται από εξουσιοδοτημένο κέντρο σέρβις της RYOBI.

ΛΙΠΑΝΣΗ

Όλα τα έδρανα στο προϊόν έχουν λιπανθεί με επαρκή ποσότητα λιπαντικού υψηλής ποιότητας για όλη τη διάρκεια ζωής του προϊόντος, υπό φυσιολογικές συνθήκες λειτουργίας. Συνεπώς, δε χρειάζεται καμία επιπλέον λίπανση.

ΣΥΜΒΟΛΑ



Προειδοποίηση ασφαλείας



Jednosmerný prúd



Ξύλο



Μην κόβετε μέταλλα



Φοράτε προστατευτικά ματιών



Κίνδυνος! Αιχμηρή λεπίδα.



Να μην εκτίθεται σε βροχή



Πλάτος κοπής



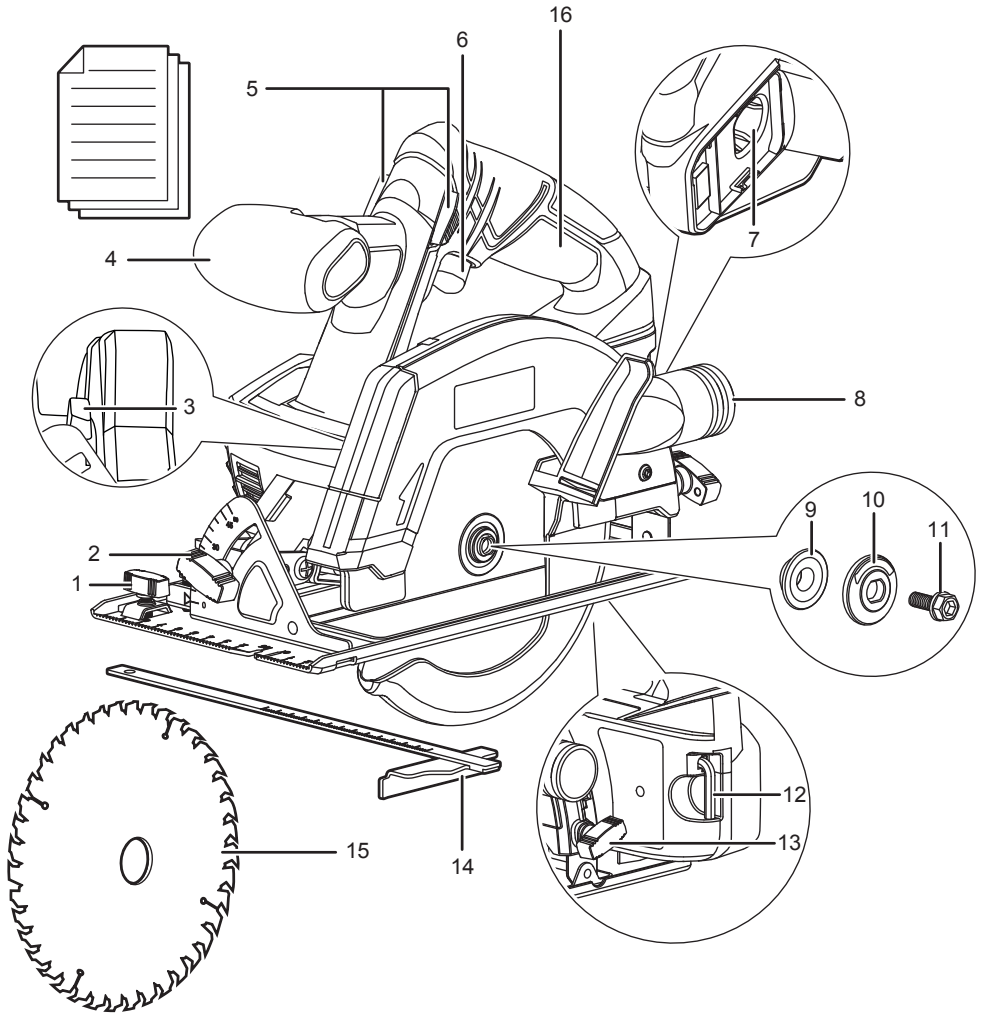
Δόντια λεπίδας

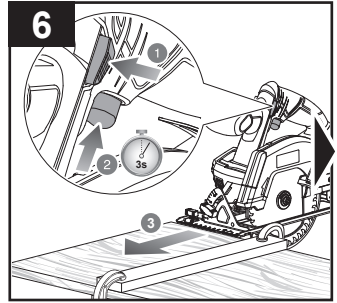
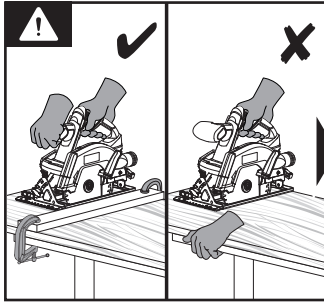
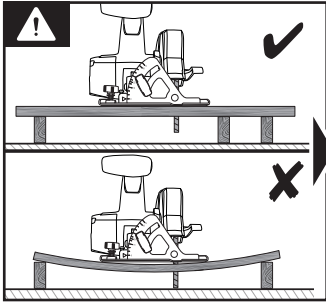
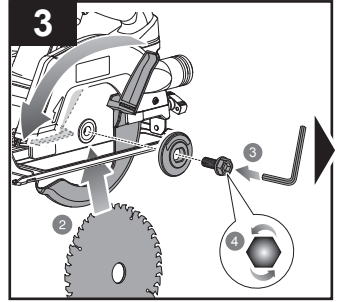
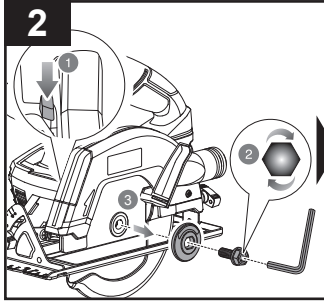
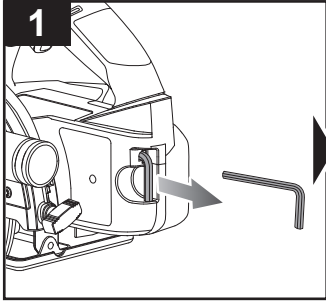


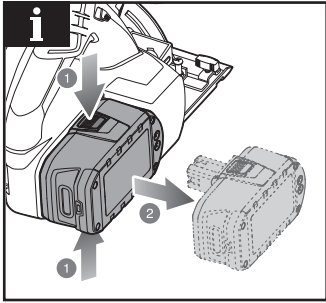
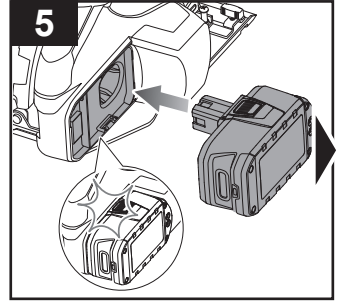
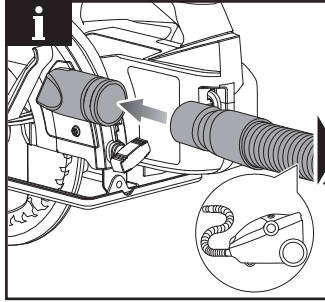
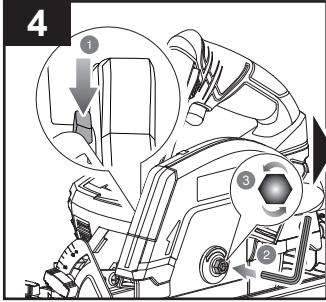
Παρακαλούμε διαβάστε τις οδηγίες προσεκτικά πριν ξεκινήσετε το μηχάνημα.

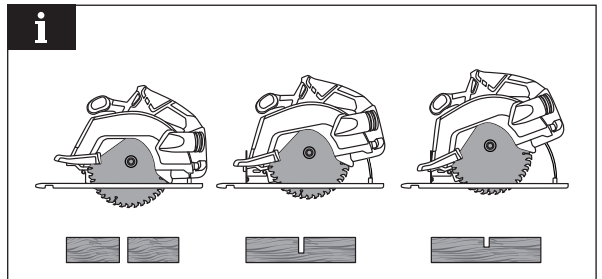
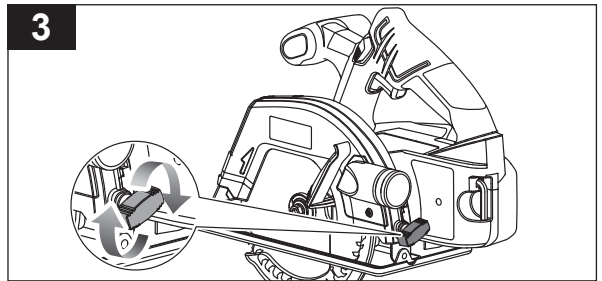
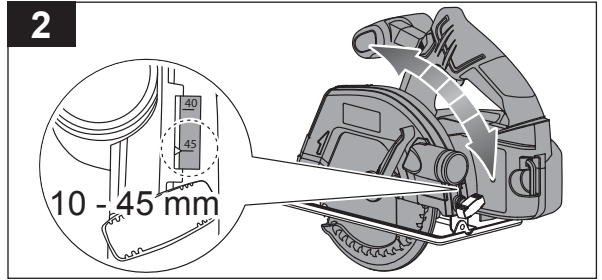
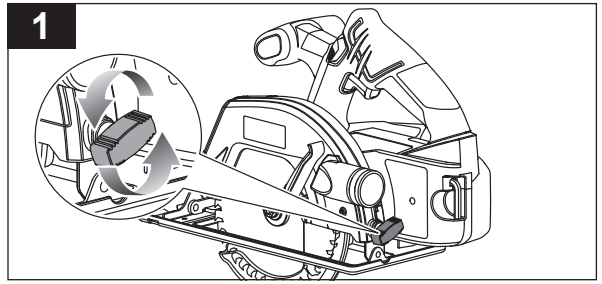
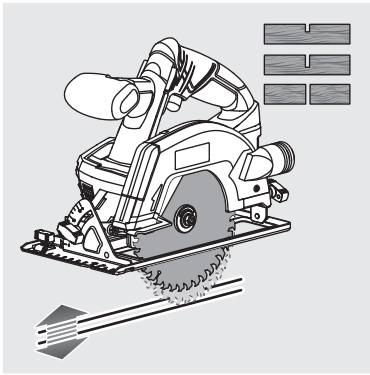
Οι μπαταρίες καθώς και ο ηλεκτρονικός και ηλεκτρικός εξοπλισμός δεν πρέπει να απορρίπτονται στα αδιαχώριστα απορρίματα της κοινότητας. Οι μπαταρίες καθώς και ο ηλεκτρονικός και ηλεκτρικός εξοπλισμός προς απόρριψη θα πρέπει να συλλέγονται χωριστά. Οι μπαταρίες, οι συσσωρευτές και οι πηγές φωτός προς απόρριψη θα πρέπει να αφαιρούνται από τον εξοπλισμό. Επικοινωνήστε με την τοπική σας αρχή ή τον προμηθευτή σας για συμβουλές ανακύκλωσης και σημείο συλλογής. Σύμφωνα με τους τοπικούς κανονισμούς, οι προμηθευτές ενδέχεται να υποχρεούνται να παραλαμβάνουν τον ηλεκτρονικό και ηλεκτρικό εξοπλισμό προς απόρριψη, χωρίς χρέωση. Η συμβολή σας στην επαναχρησιμοποίηση και την ανακύκλωση ηλεκτρονικού και ηλεκτρικού εξοπλισμού προς απόρριψη βοηθά στη μείωση της ζήτησης πρώτων υλών. Οι άχρηστες μπαταρίες, και κυρίως σόες περιέχουν λίθιο, όπως και ο άχρηστος ηλεκτρονικός και ηλεκτρικός εξοπλισμός, περιέχουν πολύτιμα ανακυκλώσιμα υλικά, τα οποία μπορεί να βλάψουν τόσο το περιβάλλον, όσο και την ανθρώπινη υγεία, εάν δεν απορρίπτονται με τρόπο φιλικό προς το περιβάλλον. Διαγράψτε τυχόν προσωπικά δεδομένα από τον εξοπλισμό.

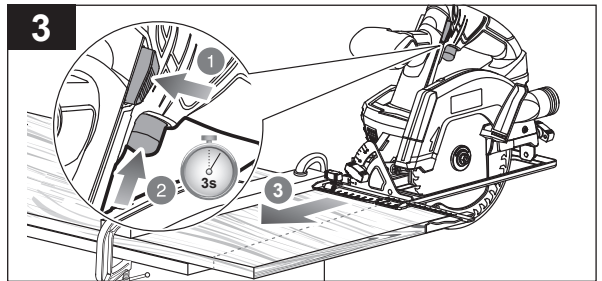
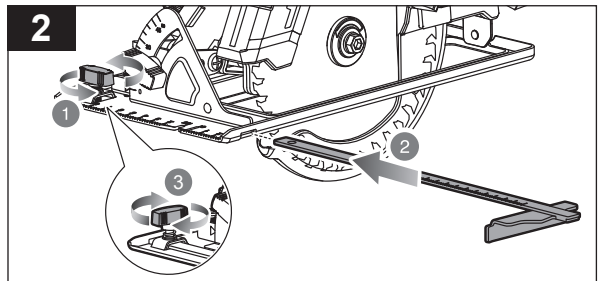
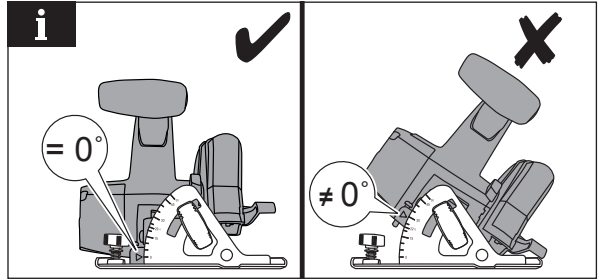
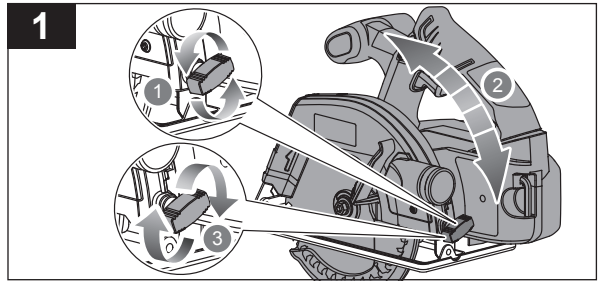
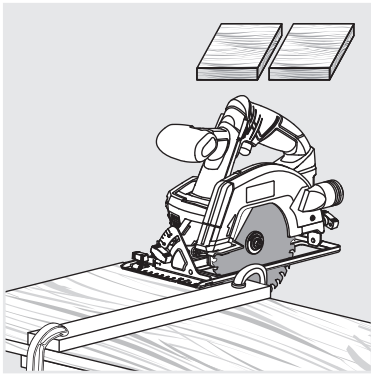


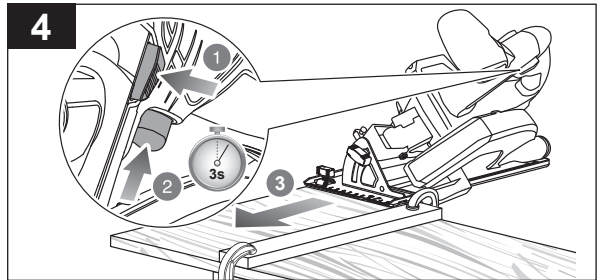
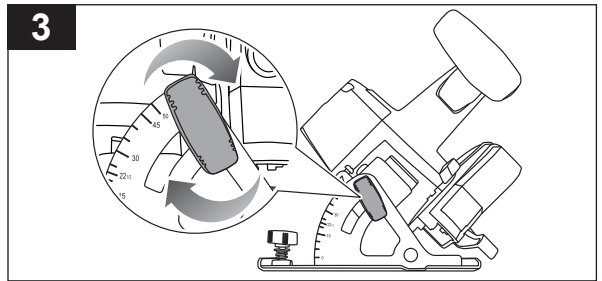
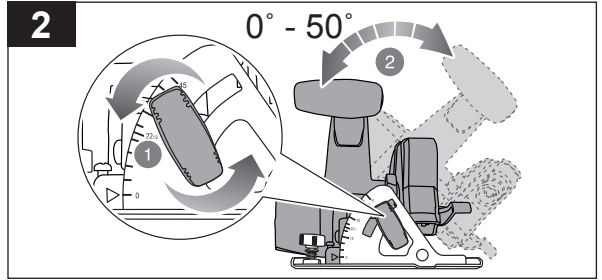
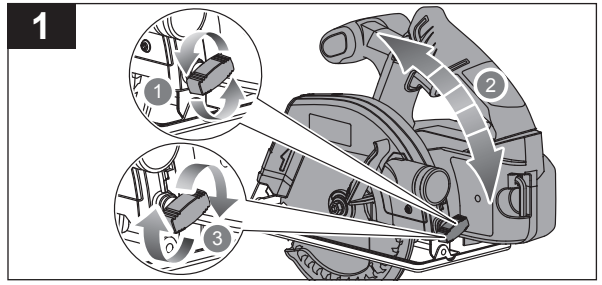
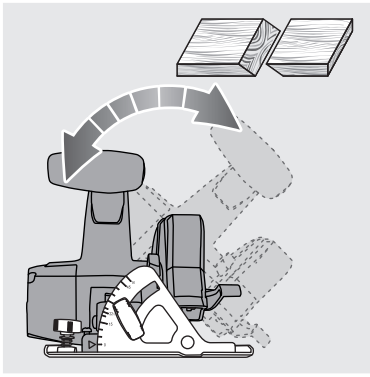


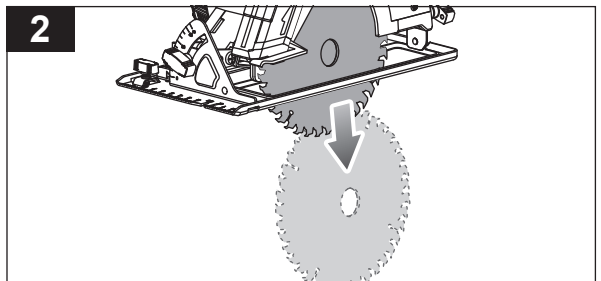
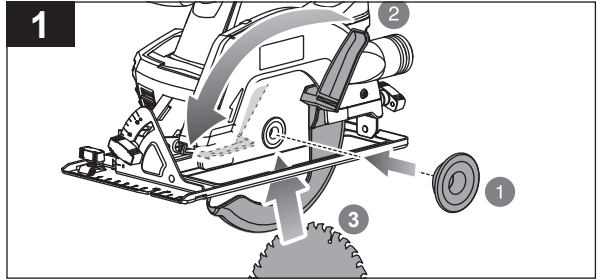
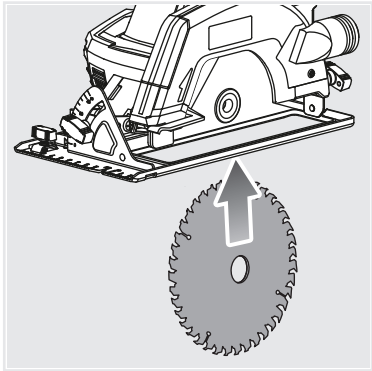
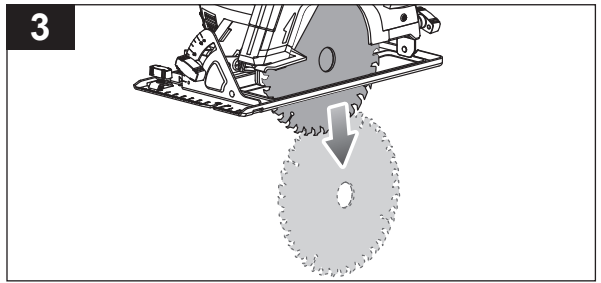
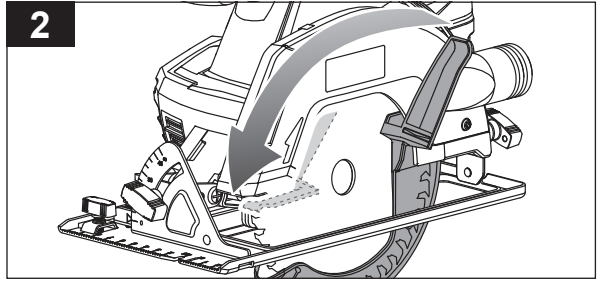
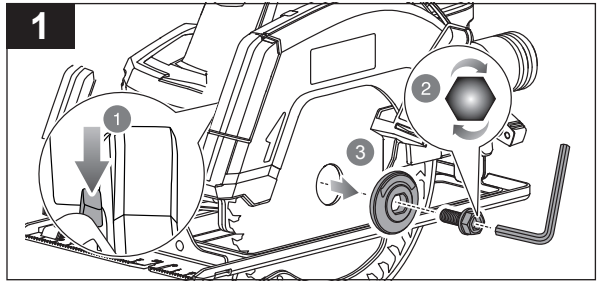
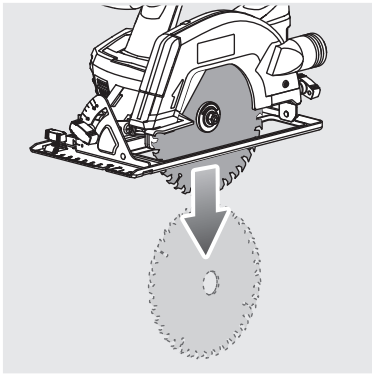














English	Français	Deutsch	Español	Italiano	Nederlands	Português
Product specifications	Caractéristiques de l'appareil	Produkt-Spezifikationen	Especificaciones del producto	Specifiche prodotto	Productspecificaties	Especificações do produto
Cordless circular saw	Scie circulaire sans-fil	Akku-Kreissäge	Inalámbrico Sierra Circular	Senza Fili Sega Circolare	Snoerloze cirkelzaagmachine	Serra circular sem fio
Model	Modèle	Modell	Modelo	Modello	Model	Modelo
Voltage	Tension	Spannung	Tensión	Voltaggio	Spanning	Voltagem
Blade diameter	Diamètre du disque de coupe	Sägeblatt Durchmesser	Diámetro de la hoja	Diametro lama	Zaagblad ø	Diâmetro da lâmina
Blade arbor	Arbre de lame	Sägeblattspindel	Ranura de la cuchilla	Portalama	Asgat ø	Eixo da Lâmina
Cutting capacity - 0°	Capacité de coupe - 0°	Schnittkapazität - 0°	Capacidad de corte - 0°	Capacità di taglio - 0°	Zaagcapaciteit - 0°	Capacidade de corte - 0°
Cutting capacity - 45°	Capacité de coupe - 45°	Schnittkapazität - 45°	Capacidad de corte - 45°	Capacità di taglio - 45°	Zaagcapaciteit - 45°	Capacidade de corte - 45°
No-load speed	Vitesse à vide	Leerlaufdrehzahl	Velocidad sin carga	Velocità a vuoto	Onbelast toerental	Velocidade em vazio
Blade - width of cut	Lame - Largeur de coupe	Sägeblatt - Breite des Schnitts	Hoja - Ancho del corte	Lama - Ampiezza di taglio	Zaagblad - Zaagbreedte	Lâmina - Largura do corte
Blade teeth	Nombre de dents	Sägezähne	Dientes de la hoja	Denti lame	Zaagbladanden	Dentes da lâmina
Blade thickness	Epaisseur de la Lame	Sägeblatt Dicke	Grosor hoja	Spessore lama	Zaagblad dikte	Espessura lâmina
Weight - excluding battery pack	Poids - sauf pack batterie	Gewicht - ohne Akkupack	Peso - Excluyendo conjunto de batería	Peso - Senza gruppo batteria	Gewicht - exclusief accupack	Peso - excluindo conjunto de bateria
Weight According to EPTA-Procedure 01/2014	Poids Selon la procédure EPTA 01/2014	Gewicht Gemäß EPTA-Verfahren 01/2014	Peso Según el procedimiento EPTA 01/2014	Peso Secondo quanto indicato dalla EPTA-Procedure 01/2014	Gewicht Overeenkomstig de EPTA-procedure 01/2014	Peso De acordo com o Procedimento EPTA 01/2014
Measured sound values determined according to EN 62841:	Valeurs du son mesuré déterminées selon EN 62841:	Gemäß EN 62841: gemessene Schallwerte	Valores medidos del sonido en función de la norma EN 62841:	Valori del suono misurati determinati secondo lo standard EN 62841:	Gemeten geluidswaarden bepaald in overeenstemming met EN 62841:	Valores medidos do som em função da norma EN 62841:
A-weighted sound pressure level	Niveau de pression sonore pondéré-A	A-bewerteter Schalldruckpegel	Nivel de presión acústica ponderada en A	Livello di pressione sonora pesato A	A-gewogen geluidsdrukniveau	Nível de pressão sonora ponderada A
Uncertainty K	Incertitude K	Unsicherheit K	Incetidumbre K	Incertezza K	Onzekerheid K	Incerteza K
A-weighted sound power level	Niveau de puissance sonore pondéré-A	A-bewerteter Schalleistungspegel	Nivel de potencia acústica ponderada en A	Livello di potenza sonora pesato A	A-gewogen geluidsniveau	Nível de potência sonora ponderada A
Uncertainty K	Incertitude K	Unsicherheit K	Incetidumbre K	Incertezza K	Onzekerheid K	Incerteza K
Wear ear protectors.	Portez une protection acoustique.	Tragen Sie Gehörschutz.	Utilice protección auditiva!	Indossare protezioni acustiche adeguate.	Draag oorbeschermers.	Sempre use a proteção dos ouvidos.
The vibration total values (triaxial vector sum) determined according to EN 62841:	La valeur totale des vibrations (somme vectorielle triaxiale) déterminée selon EN62841:	Schwingungsgesamtwerte (Vektorsumme dreier Richtungen) ermittelt entsprechend EN 62841:	Los valores de vibración total (suma de vectores triax.), determinado según la norma EN62841:	I valori totali delle vibrazioni (somma di vettori in tre direzioni) sono misurati conformemente alla norma EN62841:	De totale trillingswaarden (triaxiale vectorsom) vastgesteld in overeenstemming met EN62841:	Os valores totais de vibração (Soma vectorial triaxial) foram determinados de acordo com a norma EN 62841:
Cutting wood	Coupe de bois	Sägen von Holz	Corte de madera	Tagliare legno	Hout zagen	Corte de madeira
Uncertainty K	Incertitude K	Unsicherheit K	Incetidumbre K	Incertezza K	Onzekerheid K	Incerteza K

Dansk	Svenska	Suomi	Norsk	Русский	Polski	
Produktspecifikationer	Produktspecifikationer	Tuotteen tekniset tiedot	Produktspesifikasjoner	Характеристики изделия	Parametry techniczne	
Ledningsfri rundsav	Batteridreven cirkelsåg	Langaton pyörösaha	Batteridrevet sirkelsag	Беспроводная Циркулярная пила	Bezprzewodowa pilarka tarczowa	
Model	Modell	Malli	Modell	Модель	Model	R18CSP
Spænding	Spänning	Jännite	Spenning	Напряжение	Napięcie	18 V 
Klingediameter	Klingdiameter	Terän läpimitta	Bladdiameter	Диаметр режущего диска	Średnica tarczy tnącej	150 mm
Klingeholder	Sågklinga	Terän varsi	Bladakse	Шпиндель режущего диска	Trzpień tarczy tnącej	10 mm
Savekapacitet - 0°	Skärkapacitet - 0°	Leikkuukapasiteetti - 0°	Sagekapasitet - 0°	Режущая способность - 0°	Zakres możliwości cięcia - 0°	45 mm
Savekapacitet - 45°	Skärkapacitet - 45°	Leikkuukapasiteetti - 45°	Sagekapasitet - 45°	Режущая способность - 45°	Zakres możliwości cięcia - 45°	32 mm
Tomgangshastighed	Tomgångshastighet	Tyhjäkäyntinopeus	Hastighet ubelastet	Скорость на холостом ходу	Prędkość bez obciążenia	4700 min ⁻¹
Klinge - Snitbredde	Sågklinga - Skärbredd	Terä - Leikkauksen leveys	Blad - Bredd på kappet	Лезвие - Ширина разреза	Tarcza - Szerokość cięcia	1,5 mm
Klingetænder	Sågtand	Terän hampaat	Bladtenner	Число зубьев	Liczba zębów tarczy	18 T
Klingetykkelse	Sågklingatjocklek	Teräpaksuus	Blad tykkelse	Толщина Лезви	Grubość Tarcza	1,0 mm
Vægt - Batteri medfølger ikke	Vikt - Batteri medfølger ej	Paino - ilman akkua	Vekt - uten batteripakke	Вес - без аккумуляторной батареи	Masa - bez akumulatora	2,16 kg
Vægt I henhold til EPTA-procedure 01/2014	Vikt Enligt EPTA 01/2014	Paino EPTA-menetelmän 01/2014 mukaan	Vekt I henhold til EPTA-prosedyre 01/2014	Вес Соответствует требованиям EPTA-Procedure 01/2014	Masa Zgodnie z procedurą EPTA 01/2014	2,8 kg (1,3 Ah) - 3,6 kg (9,0 Ah)
Målte lydverdier bestemt iht. EN 62841:	Uppmåttade ljudvärden enligt EN 62841:	Mitatut arvot määritetty EN 62841: standardin mukaan:	Målte lydverdier bestemt iht. EN 62841:	Измеренные значения параметров звука определены в соответствии с EN 62841:	Zmierzono wartości akustyczne zgodnie z normą EN 62841:	
A-vægtet lydtryksniveau	A-vägd ljudtryksnivå	A-painotettu äänenpainetaso	A-vektet lydtryknivå	Уровень А-взвешенного звукового давления	A-ważony poziom ciśnienia hałasu	$L_{pA} = 92,5 \text{ dB(A)}$
Usikkerhed K	Osäkerhet K	Epätarkkuus K	Usikkerhet K	Разброс K	Niepewność pomiaru K	3 dB(A)
A-vægtet lydeffektniveau	A-vägd lydeffektsnivå	A-painotettu äänenteho	A-vektet lydeffektnivå	Уровень А-взвешенной звуковой мощности	A-ważony poziom mocy akustycznej	$L_{WA} = 100,5 \text{ dB(A)}$
Usikkerhed K	Osäkerhet K	Epätarkkuus K	Usikkerhet K	Разброс K	Niepewność pomiaru K	3 dB(A)
Bær høreværn.	Bär hörselskydd.	Käytä korvasuojia.	Bruk hørselsvern.	Используйте наушники!	Stosować środki ochrony słuchu!	
Totale vibrationsverdier (triax vector sum) afgøres ifølge EN62841:	Det totala vibrationsvärdet (treaxelvektorsumma) är framtaget enligt EN62841:	Tärinän kokonaisarvot (kolmiakselinen vektorisumma) määritettyä standardin EN62841 mukaisesti:	De totale vibrasjonsverdiene (triax vektor-sum) er fastsatt i henhold til EN62841:	суммарное значение вибрации (векторная сумма по трем координатам) определено в соответствии со стандартом EN62841:	Wartości sumaryczne drgań (suma wektorowa przyspieszeń) mierzona czujnikami typu triax określone zgodnie z normą EN62841:	
Skæring i træ	Såga trä	Puun leikkaaminen	Kapping av tre	Резание древесины	Cięcie drewna	$a_{wv} \leq 2,5 \text{ m/s}^2$
Usikkerhed K	Osäkerhet K	Epätarkkuus K	Usikkerhet K	Разброс K	Niepewność pomiaru K	1,5 m/s ²

Čeština	Magyar	Română	Latviski	Lietuviškai	Eesti	Hrvatski
Technické údaje produktu	Termék műszaki adatai	Specificațiile produsului	Produkta specifikācijas	Gaminio techninės savybės	Toote tehnilised andmed	Specifikacije proizvoda
Bezdrátová kotoučová pila	Akkumulátoros körfűrész	Ferăstrău circular fără cablu	Bezvada ripzāģis	Belaidis cirkuliarinis pjūklas	Akutolega ketassaag	AKU cirkularna pila
Model	Tipus	Model	Modelis	Modelis	Mudeli tähis	Model
Elektrické napětí	Feszültség	Tensiune	Spriegums	Įtampa	Pinge	Napon
Průměr kotouče	Tárcsa átmérője	Diametru lamă	Asmens diametrs	Pjovimo disko skersmuo	Saeketta läbimõõt	Promjer rezne ploče
Hřídel kotouče	Fűrészlap furata	Ax lamă	Asmens ass	Geležtės asis	Lõiketera	Rezna ploča
Maximální prožez - 0°	Vágásteljesítmény (vágási vastagság) - 0°	Capacitate de tăiere - 0°	Zāģēšanas ražība - 0°	Pjovimo talpa - 0°	Lõikesügavus: - 0°	Kapacitet rezanja - 0°
Maximální prožez - 45°	Vágásteljesítmény (vágási vastagság) - 45°	Capacitate de tăiere - 45°	Zāģēšanas ražība - 45°	Pjovimo talpa - 45°	Lõikesügavus: - 45°	Kapacitet rezanja - 45°
Otáčky naprázdno	Üresjárati fordulatszám	Viteză în gol	Tukšgaitas ātrums	Greitis be apkrovimo	Kiirus ilma koormuseta	Brzina bez opterećenja
Pilový kotouč - Šířka fezu	Fűrészlemez - Vágás szélessége	Lamă - Lățime a tăierii	Ripa - Griezuma platums	Geležtė - Pjovimo plotis	Saeketas - Lõikelaius	Oštrica - Širina reza
Zub kotouče	Fűrészlap fogai	Dinte lamă	Asmens zobi	Geležtės dantukų skaičius	Lõiketera hammas	Zubi pile
Pilový kotouč Tloušťka	Vastagság Fűrészlemez	Grosime Lamă	Ripa biezums	Geležtės storis	Saeketas pakšus	Debljina Oštrica
Hmotnost - bez baterie	Súly - akkumulátor nélkül	Greutate - exclusiv acumulatorul	Svars - izņemot akumulatora iepakojumu	Svoris - neįskaitant baterijos paketo	Kaal - välja arvatud akupakett	Težina - baterija nije uključena
Hmotnost Die protokolu EPTA 01/2014	Súly A 01/2014 EPTA-eljárás szerint	Greutate În conformitate cu Procedura EPTA din 01/2014	Svars Saskaņā ar EPTA procedūru 01/2014	Svoris Pagal Europos elektrosinijū įrankių asociacijos (EPTA) nustatytą tvarką 01/2014	Kaal Vastavalt EPTA-protseduurile 01/2014	Težina Prema EPTA-postupku 01/2014
Namēfenē nodotību hluku zīstēnē dle EN 62841:	A hang értékek meghatározása az EN 62841: szerint történt:	Valori de sunet măsurate determinate În conformitate cu EN 62841:	Izmērtās skaņas vērtības ir noteiktas saskaņā ar EN 62841:	Išmatuotos garso vertės nustatytos pagal EN 62841:	Mõõtemäärtused on kindlaks määratud vastavalt standardile EN 62841:	Mjerenja vrijednost zvuka određena je prema EN 62841:
Hladina akustického tlaku vážená funkci A	A-súlyozott hangnyomásszint	Nivel de presiune acustică ponderată A	A-īmeņa skaņas spiediena līmenis	A svertinis garso slėgio lygis	A-kaalutud helirõhu tase	Ponderirana razina tlaka zvuka
Nejistota K	Bizonytalanság K	Incertitudine K	Kļūdas vērtība K	Nepastovumas K	Mõõtemääramatus K	Neodređenost K
Hladina akustického výkonu vážená funkci A	A-súlyozott hangteljesítményszint	Nivel de putere acustică ponderată A	A-īmeņa skaņas jaudas līmenis	A svertinis garso galios lygis	A-kaalutud helivõimsuse tase	Ponderirana razina zvučne snage
Nejistota K	Bizonytalanság K	Incertitudine K	Kļūdas vērtība K	Nepastovumas K	Mõõtemääramatus K	Neodređenost K
Používejte chrániče sluchu.	Viseljen hallásvédőt.	Purtajti aparatoare de urechi.	Lietojiet dzirdes aizsargus.	Naudokite ausų apsaugos priemonės.	Kasutage kuulmiskaitsevahendeid.	Nosite štítneke za uši.
Celkové hodnoty vibrací (třísavý vektorový součet) určené v souladu s EN62841:	Vibráció teljes értékei (háromtengelyű vektorösszeg), az EN 62841 szerint meghatározva:	Valorile totale ale vibrațiilor (suma vectorială a trei direcții) au fost determinate conform EN62841:	Vibrāciju kopējās vērtības (trīsasu vektoru summa) tiek noteiktas atbilstoši EN62841:	Bendros vibracijos vertės (trikampio vektorių suma) nustatomos pagal EN62841:	Vibratsiooni koguväärtused (kolme suuna vektorsumma) on vastavalt standardile EN 62841 määratud järgmiselt:	Ponderirana energetska vrijednost Ukupne vrijednosti vibracija (troosni vektorski zbir) određuju se u skladu s EN62841:
Řezání dřeva	Fa vágása	Lemn de tăiere	Koksnes griešana	Medienos pjovimas	Puidu saagimine	Rezanje drveta
Nejistota K	Bizonytalanság K	Incertitudine K	Kļūdas vērtība K	Nepastovumas K	Mõõtemääramatus K	Neodređenost K

Slovenščina	Slovenčina	България	Українська мова	Türkçe	Ελληνικά	
Specifikacije izdelka	Špecifikácie produktu	Спецификации на продукта	Технічні характеристики продукту	Ürün Özellikleri	Προδιαγραφές Προϊόντος	
Akumulatorska krožna žaga	Akumulátorová kotúčová píla	Безжичен циркулярен трион	Kablosuz daire testere	Kablosuz daire testere	Ασύρματος κυκλικός κόπτης	
Model	Model	Μοдел	Марка	Model	Μοντέλο	R18CSP
Napetost	Napätie	Напряжение	Напряжение	Gerilim	Τάση	18 V 
Premier rezila	Priemer pilového kotúča	Диаметър на оstriето	Диаметр леза	Yıçak çapı	Διάμετρος λεπίδας	150 mm
Os rezila	Priemer vretena	Вал на оstriе	Отвір валу	Yıçak Mili	Άξονας λεπίδας	10 mm
Zmogljivost rezanja - 0°	Kapacita rezania - 0°	Καпацитет на рязане (0°)	Діапазон різання - 0°	Kesim kapasitesi - 0°	Ικανότητα κοπής - 0°	45 mm
Zmogljivost rezanja - 45°	Kapacita rezania - 45°	Καпацитет на рязане (45°)	Діапазон різання - 45°	Kesim kapasitesi - 45°	Ικανότητα κοπής - 45°	32 mm
Hitrost brez obremenitve	Otáčky bez zaťaženia	Скорост на празен ход	Швидкість без навантаження	Bota hız	Ταύτητα στ κεν	4700 min ⁻¹
Rezilo - Širina rezanja	Ostrie - Šírka rezu	Острие - Ширина на рязане	Диск - ширина різання	Yıçak - Kesim genişliği	Λάμα - Πλάτος κοπής	1,5 mm
Zobje rezila	Zúbky čepele	Зъби на оstriето	Κίψκiсть зубів на диску	Yıçak dişleri	Δόντια λεπίδας	18 T
Rezilo debelina	Ostrie hrúbka	Дебелина на оstriето	Товщина диску	Yıçak kalınlığı	Λάμα πάχος	1,0 mm
Teža - razen baterij	Hmotnosť - okrem jednotky akumulátora	Тегло - без батерията	Вага - без акумулатора	Ağırlık - Harici batarya takımı	Βάρος - χωρίς μπαταρία	2,16 kg
Teža Skladno s postopkom EPTA 01/2014	Hmotnosť Podľa EPTA-Procedure 01/2014	Тегло Според EPTA процедура 01/2014	Вага (відповідно до процедури EPTA 01/2014)	Ağırlık EPTA-Prosedürü 01/2014'e göre	Βάρος Σύμφωνα με την Διαδικασία EPTA 01/2014	2,8 kg (1,3 Ah) - 3,6 kg (9,0 Ah)
Izmerjene zvočne vrednosti določene v skladu s standardom EN 62841:	Nameranė hodnoty určene podľa EN 62841:	Измерените стойности на звука са определени в съответствие с EN 62841:	Измеренные значения параметров звука определены в соответствии с EN 62841:	EN 62841: e göre hesaplanmış ses değerleri:	Μετρημένες τιμές ήχου σύμφωνα με το EN 62841:	
A-izmerjena raven zvočnega tlaka	Vážená A hladina akustického tlaku	Ниво на шумово налягане с равнище A	A-звачений рівень звукового тиску	A ağırlıklı ses basınç seviyesi	A-σταθμισμένο επίπεδο πίεσης ήχου	$L_{pA} = 92,5 \text{ dB(A)}$
Nedoloč. K	Odhýlka K	Променливост K	Невизначеність K	Belirsizlik K	Αβεβαιότητα K	3 dB(A)
A-izmerjena raven zvočne moči	Vážená A hladina akustického výkonu	Ниво на силата на шума с равнище A	A-звачений рівень звукової потужності	A ağırlıklı ses gücü seviyesi	A-σταθμισμένο επίπεδο έντασης ήχου	$L_{WA} = 100,5 \text{ dB(A)}$
Nedoloč. K	Odhýlka K	Променливост K	Невизначеність K	Belirsizlik K	Αβεβαιότητα K	3 dB(A)
Nosite štítníky za ušesa.	Používajte chrániče sluchu.	Носете антифони	Діаметр ріжучої лінії.	Kulak koruyucu kullanın.	Φοράτε ωτοασπίδες.	
Skupna vrednost vibracij (vektorska vsota treh smeri) določena v skladu z EN62841:	Celkové hodnoty vibrácií (súčet triaxiálneho vektora) určuje norma EN62841:	Общата стойност на вибрациите (триосна векторна сума) е определена в съответствие с EN 62841:	Суммарное значение вибрации (сумма векторов по трем координатным осям) определено в соответствии со стандартом EN 62841:	EN 62841 normuna uygun olarak belirlenmiş titreşim toplam değerleri (triaks vektör toplamı):	Συνολικές αξίες κραδασμών (τρίαξονικό διανυσματικό άθροισμα) σύμφωνα με EN62841:	
Žaganje lesa	Rezanje dreva	Рязане на дървесина	Різка дерева	Ahşap kesme	Κοπή ξύλου	$a_{rw} \leq 2,5 \text{ m/s}^2$
Nedoloč. K	Odhýlka K	Променливост K	Невизначеність K	Belirsizlik K	Αβεβαιότητα K	1,5 m/s ²

English	Français	Deutsch	Español	Italiano	Nederlands	Português	
Battery and charger	Batterie et chargeur	Akku und Ladegerät	Batería y cargador	Batteria e caricatore	Accu en lader	Bateria e carregador	
Compatible battery packs (not included)	Pack batterie compatible (non compris)	Kompatible Akkupacks (nicht im Lieferumfang enthalten)	Packs de Batería compatibles (no incluido)	Gruppo batterie compatibile (non incluso)	Compatibel accupack (niet inbegrepen)	Baterias compatíveis (não incluída)	RB18..
Compatible chargers (not included)	Chargeur compatible (non compris)	Kompatibles Ladegerät (nicht im Lieferumfang enthalten)	Cargador compatible (no incluido)	Caricatore compatibile (non incluso)	Compatibele oplader (niet inbegrepen)	Carregador compatível (não incluída)	BCL1418..H RC18..

Dansk	Svenska	Suomi	Norsk	Русский	Polski	Čeština	
Batteri og oplader	Batteri och laddare	Akku ja laturi	Batteri og lader	Батарея и зарядное устройство	Akumulator i ładowarka	Baterie a nabíječka	
Kompatibelt batteri (medfølger ikke)	Kompatibelt batteripack (inte inkluderat)	Yhteensopiva akku (ei mukana)	Kompatible batteripakker (ikke inkludert)	Совместимая аккумуляторная батарея (не входит в комплект поставки)	Pasujące akumulatory (nie dołączona)	Kompatibilní akumulátor (nepřibalen)	RB18..
Kompatibel oplader (medfølger ikke)	Passande laddare (inte inkluderat)	Yhteensopiva laturi (ei mukana)	Kompatibel lader (ikke inkludert)	Совместимое зарядное устройство (не входит в комплект поставки)	Odpowiednia ładowarka (nie dołączona)	Kompatibilní nabíječka (nepřibalen)	BCL1418..H RC18..

Magyar	Română	Latviski	Lietuviškai	Eesti	Hrvatski	
Akkumulátor és töltő	Baterie și încărcător	Akumulators un lādētājs	Baterija ir įkroviklis	Aku ja laadija	Baterija i punjač	
Kompatibilis akkumulátor (nem tartozék)	Acumulatori compatibili (neinclus)	Saderīgu akumulatoru komplekts (nav kompl.)	Suderinamas baterijos paketas (nepriedama)	Ühilduvad akupaketid (ei ole komplektis)	Kompatibilno pakiranje baterija (nije uključeno)	RB18..
Kompatibilis töltő (nem tartozék)	Încărcător compatibil (neinclus)	Saderīgs lādētājs (nav kompl.)	Tinkamas įkroviklis (nepriedama)	Kasutatav laadija (ei ole komplektis)	Kompatibilni punjač (nije uključeno)	BCL1418..H RC18..

Slovenščina	Slovenčina	България	Українська мова	Türkçe	Ελληνικά	
Baterija in polnilnik	Akkumulátor a nabíjačka	Батерия и зарядно устройство	Акумулятор і зарядний пристрій	Batarya ve şarj aleti	Μπαταρία και φορτιστής	
Zdravljive baterije (ni priložen)	Kompatibilná jednotka akumulátorov (nie je súčasťou balenia)	Съвместима акумулаторна батерия (не е включена в комплекта)	Сумісний акумулятор (не входить в комплект)	Uyumlu pil takımı (dahil değildir)	Συμβατή μπαταρία (δεν περιλαμβάνεται)	RB18..
Zdravljiv polnilec (ni priložen)	Kompatibilná nabíjačka (nie je súčasťou balenia)	Съвместимо зарядно устройство (Не е включено)	Сумісний зарядний пристрій (не входить в комплект)	Uyumlu şarj cihazı (dahil değildir)	Συμβατο φορτιστή (δεν περιλαμβάνεται)	BCL1418..H RC18..

EN**⚠ WARNING**

The declared vibration total values and the declared noise emission values given in this instruction manual have been measured in accordance with a standardised test and may be used to compare one tool with another. They may be used for a preliminary assessment of exposure.

The declared vibration and noise emission values represent the main applications of the tool. However, if the tool is used for different applications, used with different accessories, or poorly maintained, the vibration and noise emission may differ. These conditions may significantly increase the exposure levels over the total working period. An estimation of the level of exposure to vibration and noise should take into account the times when the tool is turned off or when it is running idle. These conditions may significantly reduce the exposure level over the total working period.

Identify additional safety measures to protect the operator from the effects of vibration and noise, such as maintaining the tool and the accessories, keeping the hands warm (in case of vibration), and organising work patterns.

di loro. Questi possono essere usati per una valutazione preliminare dell'esposizione.

I valori di emissione di rumori e vibrazioni rappresentano le principali applicazioni dello strumento. Tuttavia, se l'utensile viene utilizzato in applicazioni differenti, con differenti accessori o con scarsa manutenzione, l'emissione di vibrazioni e rumori può essere diversa. Queste condizioni possono significativamente aumentare il livello di esposizione nel periodo di lavoro totale. Una stima del livello di esposizione alle vibrazioni e ai rumori va presa in considerazione anche quando l'utensile viene spento oppure è in funzione a folle. Queste condizioni possono significativamente ridurre il livello di esposizione nel periodo di lavoro totale.

Identificare le misure di sicurezza aggiuntive per proteggere l'operatore dagli effetti di vibrazioni e rumori, come la manutenzione di strumento e accessori, mantenendo le mani calde (in caso di vibrazione) e le modalità di lavoro.

FR**⚠ AVERTISSEMENT**

Le niveau total de vibrations et le niveau total d'émissions sonores déclarés indiqués dans ce manuel d'instruction ont été mesurés selon une méthode de test normalisée et peut servir de référence pour comparer les outils entre eux. Ils peuvent servir d'évaluation préliminaire à l'exposition.

Les niveaux d'émissions sonores et de vibrations déclarés représentent les principales applications de l'outil. Toutefois, si l'outil est utilisé pour des applications différentes ou des accessoires différents, ou s'il est mal entretenu, les vibrations émises peuvent varier. Ces facteurs pourraient augmenter considérablement les niveaux d'exposition sur la durée totale d'utilisation. Une estimation du niveau d'exposition aux vibrations et du bruit doit aussi prendre en compte les périodes durant lesquelles l'outil est éteint ou lorsqu'il fonctionne à vide. Ces facteurs pourraient réduire considérablement le niveau d'exposition sur la durée totale d'utilisation.

Identifiez toute mesure de sécurité supplémentaire à observer pour protéger l'opérateur des effets des vibrations et du bruit, comme l'entretien de l'outil et des accessoires, le maintien au chaud des mains (en cas de vibrations), et l'élaboration de schémas de pulvérisation.

DE**⚠ WARNING**

Die in dieser Anleitung deklarierten Gesamtwerte der Schwingungsemission und die deklarierten Werte der Geräuschemission wurden gemäß einer standardisierten Testmethode gemessen und können verwendet werden, um Werkzeuge miteinander zu vergleichen. Sie können für eine vorläufige Beurteilung der Belastung verwendet werden.

Die deklarierten Werte für Schwingungs- und Geräuschemission treffen auf die Hauptanwendung des Werkzeugs zu. Wenn jedoch das Werkzeug für verschiedene Anwendungen oder mit unterschiedlichem Zubehör genutzt wird oder schlecht gewartet ist, kann die Schwingungs- und Geräuschemission variieren. Diese Bedingungen können das Belastungsniveau über die gesamte Arbeitszeit deutlich steigern. Eine Schätzung der Schwingungsbelastung sollte auch die Zeiten berücksichtigen, in denen das Werkzeug ausgeschaltet ist oder im Leerlauf läuft. Diese Bedingungen können das Belastungsniveau über die gesamte Arbeitszeit deutlich reduzieren.

Legen Sie zusätzliche Sicherheitsmaßnahmen fest, um den Bediener vor den Auswirkungen von Schwingung und Geräuschen zu schützen, z. B. Warten des Geräts und der Zubehöreile, Warmhalten der Hände (bei Schwingung) und Organisieren der Tätigkeit.

ES**⚠ ADVERTENCIA**

Los valores totales de emisión de vibración declarados y los valores de emisiones de ruido declarados que se indican en este manual de instrucciones se han calculado según lo establecido en una prueba estandarizada y se pueden utilizar para comparar una herramienta con otra. Se pueden utilizar para una evaluación preliminar de exposición.

Los valores declarados de emisión de vibración y ruido representan las aplicaciones principales de la herramienta. No obstante, si la herramienta se utiliza para diferentes aplicaciones, con distintos accesorios o con un mantenimiento deficiente, la emisión de vibración y ruido podría diferir. Estas condiciones podrían aumentar significativamente los niveles de exposición sobre el periodo de funcionamiento total. Una estimación del nivel de exposición a la vibración y el ruido debería también tenerse en cuenta cuando la herramienta está apagada o cuando funciona a baja intensidad. Estas condiciones podrían reducir significativamente el nivel de exposición sobre el periodo de funcionamiento total.

Identifique cualquier medida de protección adicional para proteger al operario de los efectos de la vibración y el ruido, como el mantenimiento de la herramienta y los accesorios, mantener las manos calientes (en caso de vibración) y la organización de los patrones de trabajo.

NL**⚠ WAARSCHUWING**

Het gespecificeerde totale trillingswaarden en geluidsemisiewaarden in deze instructiehandleiding zijn gemeten overeenkomstig een gestandaardiseerde test en kunnen worden gebruikt om gereedschappen met elkaar te vergelijken. Ze kunnen worden gebruikt voor een voorafgaande beoordeling van blootstelling.

De gespecificeerde trillings- en geluidsemisiewaarden vertegenwoordigen de belangrijkste toepassingen van het gereedschap. Als het gereedschap echter voor andere toepassingen of met andere accessoires wordt gebruikt slecht wordt onderhouden, kunnen de trillings- en geluidsemisiewaarden afwijken. Deze omstandigheden kunnen het blootstellingsniveau over de gehele gebruiksperiode aanzienlijk verhogen. Een schatting van het niveau van blootstelling aan trillingen en geluid dient ook rekening te houden met de perioden dat het gereedschap is uitgeschakeld of is ingeschakeld maar niet wordt gebruikt. Deze omstandigheden kunnen de blootstellingsniveaus over de gehele gebruiksperiode aanzienlijk verhogen.

Stel aanvullende veiligheidsmaatregelen vast om de gebruiker te beschermen tegen de effecten van trillingen en geluid, zoals onderhoud van het gereedschap en de accessoires, het warm houden van de handen (in geval van trillingen) en het organiseren van werkpatronen.

PT**⚠ AVISO**

Os valores de vibração totais declarados e o nível de emissão de ruído dado nesta ficha de informações foi medido de acordo com um teste normalizado e pode ser utilizado para fazer comparações entre ferramentas. Podem ser utilizados para uma avaliação preliminar da exposição.

O nível declarado de emissão de vibrações e ruído representa as aplicações principais da ferramenta. Contudo, se a ferramenta for utilizada para várias aplicações, com diferentes acessórios ou se receber manutenção insuficiente, a emissão de vibrações e ruído pode ser diferente. Estas condições podem aumentar significativamente o nível de exposição ao longo do período total de trabalho. Uma estimativa do nível de exposição às vibrações e ruído deverá também levar em conta os tempos que a ferramenta está desligada ou que está a funcionar mas sem estar a ser utilizada para trabalho. Estas condições podem reduzir significativamente o nível de exposição ao longo do período total de trabalho.

Identifique medidas de segurança adicionais para proteger o operador dos efeitos da vibração e ruído, tal como a manutenção da ferramenta e dos acessórios, manter as mãos quentes (em caso de vibração) e organizar padrões de trabalho.

DA**⚠ ADVARSEL**

Vibrations- og støjemissionsværdierne, der er angivet i denne vejledning er målt i overensstemmelse med en standardiseret test og kan bruges til at sammenligne et værktøj med et andet. De kan bruges til en foreløbig vurdering af udsættelse.

De angivne vibrations- og støjemissionsværdier repræsenterer værktøjets hovedanvendelser. Hvis værktøjet imidlertid anvendes til andre former for forskellig tilbehør eller er dærligt vedligeholdt, kan vibrations- og lydmissionen afvige. Disse forhold kan i væsentlig grad forøge udsættelsesniveauerne over den samlede arbejdsperiode. Et overslag over udsættelsesniveauet for vibrationer og støj bør også tage højde for de gange, hvor værktøjet er slukket, eller når det kører i tomgang. Disse forhold kan i betragteligt omfang reducere udsættelsesniveauet over den samlede arbejdsperiode.

Find yderligere sikkerhedsforanstaltninger, der kan beskytte operatoren mod virkningerne af vibrationer og støj, såsom vedligeholdelse af værktøjet og tilbehøret, holde hænderne varme (i tilfælde af vibrationer) og organisering af arbejdsmonter.

SV**⚠ VARNING**

De angivna totala vibrations- och bulleremissionsvärdena som anges i denna instruktionsmanual har uppmätts i enlighet med ett standardiserat test och kan användas för att jämföra olika verktyg. De kan användas för en preliminär bedömning av exponering.

De angivna vibrations- och bulleremissionsvärdena representerar verktygets huvudsakliga användningsområden. Om verktyget emellertid används i andra tillämpningar, med andra tillbehör eller underhålls bristfälligt, kan vibrationer och bulleremission skilja sig från de angivna. Dessa förhållanden kan öka

IT**⚠ AVVERTENZE**

Il livello di emissioni di vibrazioni riportato in questa scheda informativa è stato misurato con un metodo di prova standardizzato ed è utilizzabile per confrontare gli utensili fra

exponeringsnivåerna under den totala arbetsperioden avsevärt. En uppskattning av exponeringsnivån för vibrationer och buller bör även ta med i beräkningen de tider då verktyget är avstängt eller när det är i gång men inte används i arbete. Dessa förhållanden kan minska exponeringsnivån under den totala arbetsperioden avsevärt.

Identifiera ytterligare säkerhetsåtgärder för att skydda operatören från effekterna av vibrationer och buller, såsom att underhålla verktyget och tillbehören, hålla händerna varma (i händelse av vibrationer) och organisera arbetsmönster.

CS

VAROVÁNÍ

Deklarované celkové hodnoty vibrací a deklarované hodnoty hluku uvedené v tomto návodu byly změněny standardizovanou zkušební metodou a mohou být použity k porovnání jednoho mělovače s druhým. Mohou být použity k předběžnému posouzení vystavení vibračním a hluku.

Deklarované hodnoty vibrací a hluku jsou vymezeny hlavními způsoby použití tohoto mělovače. Pokud je však mělovač použit jiným způsobem, s jiným příslušenstvím nebo při nedostatečné údržbě, úrovně vibrací a hluku se mohou lišit. Tyto podmínky mohou podstatně zvýšit úrovně vystavení vibračním a hluku za celou pracovní dobu. Při odhadu úrovně vystavení vibračním a hluku je nutné vzít v úvahu také dobu, kdy je mělovač vypnutý nebo běží naprázdno. Tyto podmínky mohou podstatně snížit úrovně vystavení vibračním a hluku za celou pracovní dobu.

K ochraně obsluhy před účinky vibrací a hluku určete další bezpečnostní opatření, například provádění údržby mělovače a příslušenství, udržování rukou v teple (v případě vibrací) a organizování pracovních cyklů.

HU

FIGYELMEZTETÉS

A jelen használati kézikönyvben közölt rezgés- és zajkibocsátási értékeket szabványosított vizsgálat segítségével mértük, amelynek segítségével az eszközök egymással összehasonlíthatók. Ezek alkalmazhatóak a kitetségsz. előzetes felmérésére is.

A megadott rezgés-kibocsátási és zajkibocsátási szint az eszköz fő alkalmazásait jelöli. Azonban ha az eszközt nem megfelelően tartják karban, különböző alkalmazásokra vagy eltérő tartozékokkal használják, akkor a rezgés- és zajkibocsátás változhat. Ezek a beavatkozások jelentősen növelhetik a kitetségsz. szintet a teljes működési időtartam során. A rezgésnek és zajnak való kitetségsz. szint becslést értékét akkor is figyelembe kell venni, amikor az eszköz ki van kapcsolva, vagy amikor csak tétlenül jár. Ezek jelentősen csökkenthetik a kitetségsz. szintet a teljes működési időtartam során.

A kezelő rezgés- és zajtárolom elleni védelméhez tegyen meg további biztonsági intézkedéseket, mint pl. az eszköz és akkumulátor karbantartása, a kéz melegen tartása (rezgés esetén) és a munkavégzési folyamat megszerzése.

RO

AVERTISMENT

Nivelul total al vibrațiilor și valorile emisiilor de zgomot declarate în acest manual cu instrucțiuni au fost măsurate în conformitate cu o metodă de testare standardizată și pot fi utile pentru compararea uneltelor între ele. Acestea pot fi utilizate pentru evaluarea preliminară a expunerii.

Valorile emisiilor de vibrație și de zgomot declarate sunt relevante pentru domeniul de utilizare al acesteia unelte. Totuși, dacă uneltea este utilizată în alte scopuri, cu alte accesorii sau este întreținută necorespunzător, nivelul vibrațiilor și al zgomotului poate fi diferit. În acest caz, nivelul de expunere total, pe parcursul întregii perioade de lucru, poate crește. O estimare a nivelului de expunere la vibrații și zgomot trebuie să țină cont și de numărul de porniri-opri, precum și de perioadă în care uneltea este oprită sau funcționează în gol. În acest caz, nivelul de expunere total, pe parcursul întregii perioade de lucru, poate fi mai mic.

Identificați măsurile de protecție suplimentare pentru protecția operatorului contra efectelor vibrațiilor și zgomotului, precum întreținerea uneltei și a accesoriilor, menținerea mâinilor calde (în caz de vibrație) și organizarea de perioade de lucru.

LV

BRĪDINĀJUMS

Deklarētās kopējie vibrāciju līmeņi un deklarētās trokšņu izstarošanas līmeņi, kas norādīti šajā instrukcijā ir mērīti saskaņā ar standartizētiem testiem, un var tikt izmantoti vienlaikus instrumenta salīdzināšanai ar citu. Tos var izmantot sākotnējai ietekmes novērtēšanai.

Deklarētās vibrāciju un trokšņu veidošanās vērtības atspoguļo galvenajam instrumenta pielietojumam. Tomēr, ja instruments tiek izmantots citam pielietojumam, izmantots ar citiem aksesoriem, vai netiek pienācīgi kopis, vibrāciju un trokšņu līmeņi var atšķirties. Šie apstākļi var būtiski palielināt ietekmes līmeņi visā darba laikā. Vibrāciju un trokšņu iedarbības līmeņa noteikšanai jāņem vērā arī laika posmi, kad instruments ir izslēgts, vai arī darbojas tukšgaitā. Šie apstākļi var būtiski samazināt ietekmes līmeņi visā darba laikā.

Nosakiet papildu drošības pasākumus, lai aizsargātu lietotāju no vibrācijas un trokšņu ietekmes, piemēram, veicot instrumenta un aprīkojuma apkopes, roku uzturēšana siltumā (vibrāciju gadījumā), un organizējiet darba grafiku.

LT

ĮSPĖJIMAS

Šioje naudojimo instrukcijoje nurodytos keliamas vibracijos vertės nustatytos atsižvelgiant į standartinį bandymo metodą, todėl jas galima palyginti su kitų elektrinių įrankių keliamąja vibracija. Jos taip pat gali būti naudojamos preliminariam vibracijos poveikiui įvertinti.

Deklaruojamos vibracijos ir sklaidžiama triukšmo vertės atspindi pagrindinius įrenginio taikymo būdus. Tačiau, jei šiuo įrenginiu atliekami kiti darbai, naudojant kitus priedus arba prastai prižiūrinamus priedus, keliamos vibracijos ir triukšmo vertės gali skirtis. Šiomis sąlygomis gali žymiai padidėti vibracijos poveikio lygis per visą darbo laiką. Vertinant vibracijos ir triukšmo poveikio lygį per tam tikrą darbo laikotarpį, reikia atsižvelgti ne tik į laiką, kai įrenginys veikia, bet ir į tą laiką, kai įrenginys yra išjungtas, ir į laiką, kai jis veikia

FI

VAROITUS

Tässä ohjekäsikirjassa tärinälle annettukokonaisarvot ja ilmoitetut melupäästöarvot on mitattu standardoidun kokeen mukaisesti, ja niitä voidaan käyttää työkalujen vertaamiseen toisiinsa. Niitä voidaan käyttää altistumisen alustavaan arvioimiseen.

Ilmoitetut tärinä- ja melupäästöarvot koskevat työkalun pääkäyttötarkoituksia. Tärinäpäästö voi kuitenkin vaihdella, jos työkalua käytetään eri käyttötarkoituksiin, eri tarvikkeilla tai huonosti huollettuna. Mainitut olosuhteet saattavat nostaa allistumistasoa huomattavasti kokonaistyöajaksi aikana. Tärinän ja melun allistumistasoin arviointit tulisi ottaa huomioon myös silloin, kun työkalu on kytketty pois päältä tai kun se on käynnissä, mutta sita ei varsinaisesti käytetä. Mainitut olosuhteet saattavat vähentää huomattavasti allistumistasoa kokonaistyöajaksi aikana.

Lisäturvatoimenpiteitä, kuten työkalun ja lisävarusteiden huoltamisella, käsien lämpimänä pitämisellä (tärinän tapauksessa) ja työmallien järjestämisellä, voit suojella käyttäjä tärinältä ja melulta.

NO

ADVARSEL

De erklærte totale vibrasjonsverdiene og de erklærte støytallspverdiene gitt i denne brukerhåndboken har blitt mått i samsvar med en standardisert test og kan brukes til å sammenligne ett verkøy med ett annet. De kan brukes for en preliminær vurdering av eksponering.

De opplyste vibrasjons- og støytallspverdiene representerer verkøyets hovedbruksområder. Men hvis verkøyet brukes til ulike bruksområder, brukes med ulike tilbehør eller vedlikeholdet er dårlig, kan vibrasjons- og støytallsp være forskjellig. Disse forholdene kan øke eksponeringsnivået betraktelig i løpet av hele arbeidsperioden. En vurdering av eksponeringsnivået for vibrasjon og støy skal ta hensyn til de gangene verkøyet er slått av eller går på tomgang. Disse forholdene kan betydelig redusere eksponeringsnivået over den totale arbeidsperioden.

Identifiser ytterligere sikkerhetstiltak for å beskytte operatøren mot virkningen av vibrasjon og støy, slik som å vedlikeholde verkøyet og tilbehøret, holde hendene varme (i tilfelle vibrasjon) eller organisere arbeidsmønster.

RU

ОСТОРОЖНО

Заявленные данные о совокупном уровне вибрационного и шумового воздействия, указанные в настоящем руководстве, получены в ходе стандартизованных исследований и могут использоваться для сравнения инструментов. Могут применяться в рамках предварительной оценки степени воздействия.

Заявленный уровень вибрационного и шумового воздействия учитывает основные области применения инструмента. При этом, если инструмент используется иным образом, с другим оборудованием либо некачественно обслуживается, степень вибрационного и шумового воздействия может отличаться. В рамках всего периода эксплуатации эти условия могут способствовать значительному повышению уровня воздействия. Расчет уровня вибрационного и шумового воздействия должен также проводиться с учетом количества выключений инструмента и продолжительности работы на холостом ходу. В рамках всего периода эксплуатации эти условия могут способствовать значительному снижению уровня воздействия.

Обеспечьте дополнительные меры защиты оператора от воздействия вибрации и шума, например, техническое обслуживание инструмента и принадлежностей, поддержание температуры рук (в случае вибрации) и организация графика работ.

PL

OSTRZEŻENIE

Podany w niniejszej instrukcji łączny poziom emisji vibracji zmierzono zgodnie ze znormalizowaną metodą testowania — może on być wykorzystywany do wzajemnego porównywania narzędzi. Można go wykorzystywać do wstępnej oceny narażenia.

Deklarowany poziom emisji vibracji i hałasu odpowiada głównym zastosowaniom narzędzia. Jeżeli jednak narzędzie będzie używane do innych zastosowań lub z innymi akcesoriami, bądź też jeśli będzie niewłaściwie konserwowane, poziom emisji vibracji i hałasu może się różnić. Warunki takie mogą doprowadzić do znaczącego wzrostu poziomu narażenia w całym okresie eksploatacji. Oszacowanie poziomu narażenia na wibracje i hałas powinno również uwzględniać okresy, w których narzędzie jest wyłączone bądź działa, ale nie jest wykorzystywane do pracy. Warunki takie mogą doprowadzić do znaczącego ograniczenia poziomu narażenia w całym okresie eksploatacji.

Należy zidentyfikować dodatkowe środki bezpieczeństwa mające na celu ochronę operatora przed skutkami vibracji i hałasu, takie jak konserwacja narzędzia i akcesoriów, utrzymywanie ciepła dłoni (w przypadku vibracji) oraz organizacja pracy.

EN RYOBI WARRANTY APPLICATION CONDITIONS

In addition to any statutory rights arising from the purchase of a product and without prejudice on the statutory rights which apply independently and free of charge, all new RYOBI branded power tools and/or garden tools listed on our website, excluding tool accessories, tool storage systems, and spare parts, as further outlined under ("Product"), are covered by a voluntary guarantee issued by Technonic Industries GmbH ("TTI") subject to the terms and conditions as stated below ("Guarantee").

The Guarantee is only applicable to purchaser(s) who purchase the products as end users in their capacity as consumers ("Consumer"). Retailers, rental companies, as well as professional end users are expressly excluded from these general terms and conditions of the Guarantee. For professional end users, a different type of voluntary guarantee may be applicable to certain product(s), if explicitly provided on the www.ryobitools.eu website. The invocation of this voluntary Guarantee does not limit the statutory legal rights of the Consumer in case of a defect.

1. The standard guarantee ("Standard Guarantee"), provided that the Product is purchased for private use only, has a term of 24 months ("Standard Guarantee Period") and commences on the date the product was purchased. This date must be documented by an invoice or other proof of purchase in order for the Standard Guarantee to be valid and enforceable. This Standard Guarantee also only applies to new Product(s).

2. Consumers in certain countries may be able to extend the Standard Guarantee for eligible Products beyond the period of the Standard Guarantee by registering on the www.ryobitools.eu website. The eligibility of Products for the extended guarantee ("Extended Guarantee") is specified on the packaging of a Product, on the website at www.ryobitools.eu, and/or is contained within the relevant Product documentation under https://www.ryobitools.eu/. In order to benefit from the Extended Guarantee, Consumers are required to register their Product(s) online within 30 calendar days from the date of purchase to benefit from this Extended Guarantee. All personal information of a Consumer will be processed in accordance with the privacy statement, which can be found here: https://uk.ryobitools.eu/footer-links/privacy-policy/. The registration confirmation receipt, which is sent out by e-mail, and the original invoice showing the date of purchase will serve as proof of the Extended Guarantee.

3. The Standard Guarantee and the Extended Guarantee ("Guarantees") are limited to repair and/or replacement of the defective Product at the discretion of TTI provided that the defect in workmanship or material existed at the date of purchase. No further costs or losses can be claimed. In addition, the Guarantees do not apply to:

- any damage caused accidentally, wilfully, or negligently by the Consumer
- any damage to the Product that is the result of improper treatment or lack of maintenance
- any Product that has been altered or modified
- any Product where original identification (trade mark, serial number) markings have been defaced, altered or removed
- any damage caused by non-observance of the instruction manual
- Products, which are not subject to a CE/UKCA marking
- any Product that has been attempted to be repaired by a non-authorised service centre or without prior authorisation by TTI
- any Product connected to improper power supply (amps, voltage, frequency)
- any Product used with inappropriate fuel mixture (fuel, oil, ratio of oil)
- any damage caused by external influences (water, chemical, physical, shocks) or foreign substances
- normal wear and tear of spare parts
- inappropriate use, overloading of the Product(s)
- use of non-approved accessories or parts
- power tool accessories provided with the tool or purchased separately. Such exclusions including but not limited to screw driver bits, drill bits, abrasive discs, sand paper and blades, lateral guide
- components (parts and accessories) which are subject to normal wear and tear, including but not limited to service and maintenance kits, carbon brushes, bearings, chuck, SDS drill bit attachment or reception, power cord, auxiliary handle, transport carry case, sanding plate, dust bag, dust exhaust tube, felt washers, impact wrench pins and springs, bump knobs, drive belts, clutch, blades of hedge trimmers or lawnmowers, harness, cable throttle, lines, felt washers, hitch pins, blower fans, blow and vacuum tubes, vacuum bag and straps, guide bars, saw chains, hoses, connector fittings, spray nozzles, wheels, spray wands, inner reels, outer spools, cutting lines, spark plugs, air filters, gas filters, mulling blades, etc.

4. For guarantee servicing, the Product(s) must be sent or presented without undue delay after occurrence or recognition of the defect in workmanship or material to an authorised RYOBI service partner listed on the following website: https://www.ryobitools.eu/. Consumers can obtain the services under the Guarantees from a RYOBI service partner by

- a. contacting the retailer where the purchase was made; or
- b. registering via the service platform available on the RYOBI Commercial webpage https://www.ryobitools.eu/, the availability of the process might vary from country to country.

When sending a Product to an authorised RYOBI service partner, the Product shall be safely packaged without hazardous contents (for details, please see the safety instructions on the website at https://www.ryobitools.eu/), marked with sender's address and accompanied by a short description of the defect. Please note that in some countries delivery charges or postage will have to be paid by the sender according to local practice. Please consult your local authorised RYOBI service centre to confirm whether such charges apply.

5. Upon receipt of the Product claimed to be defective by the Consumer, it will be inspected. When the defect has been confirmed, the services under the Guarantees will be provided by repairing the defective parts of the products or replacing them by non-defective parts at TTI's discretion. If TTI refuses to repair the defect or if, at TTI's discretion, the repair has failed, an equivalent replacement will be supplied. The replaced Product(s) or parts will be the property of TTI. Any repair/replacement(s) under the Guarantees above are free of charge. The repair/replacement(s) conducted by TTI do not constitute an extension or a new start of the Guarantees. The replaced spare parts are subject to the Guarantees originally given and the period for the Guarantees will end with period for the Guarantee that was originally given for the entire product.

6. The RYOBI Guarantees are granted by Technonic Industries GmbH, Max-Eyth-Str. 10, 71364 Winnenden, Germany, only to the Consumer that originally purchased the Product and may not be transferred or assigned.

7. The Guarantees are valid in the European Economic Area (EEA), Switzerland, and the United Kingdom. Outside these areas, please contact the retailer where the purchase was made to find out if another voluntary guarantee applies.

AUTHORISED SERVICE CENTRE

Any request or issue with the product can be addressed to your local authorised service centres (visit www.ryobitools.eu) or directly to: Technonic Industries GmbH, Max-Eyth-Str. 10, 71364 Winnenden, Germany. Please state the serial number and product type printed on the label.

FR CONDITIONS D'APPLICATION DE LA GARANTIE RYOBI

Outre les droits statutaires découlant de l'achat d'un produit et sans préjudice des droits statutaires qui s'appliquent indépendamment et gratuitement, tous les nouveaux outils électriques et/ou outils de jardin de marque RYOBI répertoriés sur notre site Web, à l'exclusion des accessoires pour outils, des systèmes de rangement pour outils et des pièces de rechange, comme décrit ci-dessous (« Produit »), sont couverts par une garantie volontaire émise par Technonic Industries GmbH (« TTI ») sous réserve des conditions générales mentionnées ci-dessous (« Garantie »).

La Garantie ne s'applique qu'aux acheteurs qui achètent les produits en tant qu'utilisateurs finaux et en leur qualité de consommateurs (« Consommateur »). Les détaillants, les sociétés de location ainsi que les utilisateurs finaux professionnels sont expressément exclus des présentes conditions générales de la Garantie. Pour les utilisateurs finaux professionnels, un autre type de garantie volontaire peut être applicable à certains produits, si cela est expressément indiqué sur le site Web www.ryobitools.eu. Le recours à cette Garantie volontaire ne limite pas les droits légaux du Consommateur en cas de défaut.

1. La garantie standard (« Garantie standard »), à condition que le produit soit acheté pour un usage privé uniquement, couvre une période de 24 mois (« Période de garantie standard ») et commence à la date d'achat du produit. Cette date doit être attestée par une facture ou une autre preuve d'achat pour que la Garantie standard soit valide et applicable. Cette Garantie standard s'applique également uniquement au(x) nouveau(x) produit(s).

2. Les Consommateurs de certains pays peuvent être en mesure de prolonger la Garantie standard pour les Produits éligibles au-delà de la période de la Garantie standard en s'enregistrant sur le site Web www.ryobitools.eu. L'éligibilité des Produits à la garantie étendue (« Garantie étendue ») est spécifiée sur l'emballage d'un Produit, sur le site Web à l'adresse www.ryobitools.eu, et/ou est mentionnée dans la documentation relative au Produit concerné à l'adresse https://www.ryobitools.eu/. Pour bénéficier de la Garantie étendue, les Consommateurs sont tenus d'enregistrer leur(s) Produit(s) en ligne dans les 30 jours calendaires suivant la date d'achat. Toutes les informations personnelles d'un Consommateur seront traitées conformément à la déclaration de confidentialité, disponible à l'adresse suivante : https://uk.ryobitools.eu/footer-links/privacy-policy/. Le reçu de confirmation de l'enregistrement, envoyé par courrier électronique, et la facture indiquant la date d'achat servent de preuve pour la Garantie étendue.

3. La Garantie standard et la Garantie étendue (« Garanties ») se limitent à la réparation et/ou au remplacement du Produit défectueux à la discrétion de TTI, si le défaut de fabrication ou de matériau était présent à la date d'achat. Les frais ou pertes supplémentaires ne peuvent être réclamés. En outre, les Garanties ne s'appliquent pas :

- aux dommages causés accidentellement, volontairement ou par négligence par le Consommateur
- aux dommages causés au Produit en raison d'un mauvais traitement ou d'un manque d'entretien
- aux Produits qui ont été altérés ou modifiés
- aux Produits dont les marquages d'identification d'origine (marque, numéro de série) ont été dégradés, modifiés ou enlevés
- aux dommages causés par le non-respect du manuel d'instructions
- aux Produits qui ne font pas l'objet d'un marquage CE/UKCA
- aux Produits ayant fait l'objet de tentatives de réparation par un centre d'entretien non agréé ou sans l'autorisation préalable de TTI
- aux Produits raccordés à une alimentation électrique inadaptée (ampérage, tension, fréquence)
- aux Produits utilisés avec un mélange de carburants inapproprié (carburant, huile, proportion d'huile)
- aux dommages causés par des influences extérieures (eau, produits chimiques, produits, chocs) ou des substances étrangères
- à l'usure naturelle des pièces détachées
- à une utilisation inappropriée, à une surcharge du ou des Produits
- à l'utilisation d'accessoires ou de pièces non agréés
- aux accessoires de l'outil électrique fournis avec l'outil ou achetés séparément. Ces exclusions comprennent, mais sans s'y limiter, les embouts de tournevis, les frets, les disques abrasifs, le papier abrasif, les lames, le guide lateral
- les composants (pièces et accessoires) sujets à une usure naturelle, y compris, mais sans s'y limiter, les kits d'entretien et de maintenance, les brosses en carbone, les roulements, le mandrin, le foret ou la réception SDS, le cordon d'alimentation, la poignée auxiliaire, la mallette de transport, la plaque de ponçage, le sac à poussière, le tuyau d'évacuation de poussière, les rondelles en feutre, les gouilles et les ressorts de la clé à choc, les têtes de fil à frapper, les courroies d'entraînement, le formage, les lames de taille-haies ou de tondeuses à gazon, le harnais, le câble d'accélération, les dents, les gouilles d'attelage, les ventilateurs de soufflerie, les tubes de soufflerie et d'aspiration, les sangles et le sac d'aspiration, les barres de guidage, les chaînes, les filets, les flexibles, les raccords de connexion, les buses de pulvérisation, les roues, les baguettes de pulvérisation, les bobines intérieures et extérieures, les lignes de coupe, les bougies d'allumage, les filtres à air, les filtres à carburateur, les lames de déchargeage, etc.

4. Pour bénéficier de la garantie, le ou les Produits doivent être envoyés ou présentés immédiatement après l'apparition ou la constatation du défaut de fabrication ou de matériau à un partenaire de service RYOBI agréé, dont la liste figure sur le site Web https://www.ryobitools.eu/. Les Consommateurs peuvent bénéficier des services prévus par les Garanties auprès d'un partenaire de service de RYOBI

- a. en contactant le détaillant auprès duquel l'achat a été effectué ; ou
- b. en s'inscrivant via la plateforme de service disponible sur le page Web commerciale de RYOBI https://www.ryobitools.eu/. La disponibilité peut varier d'un pays à l'autre.

Lors de l'envoi d'un Produit à un partenaire de service RYOBI agréé, le Produit doit être emballé soigneusement et sans contenu dangereux (pour plus de détails, veuillez consulter les instructions de sécurité sur le site Web https://www.ryobitools.eu/), comportant l'adresse de l'expéditeur et être accompagné d'une brève description du défaut. Veuillez noter que dans certains pays, les frais de livraison ou d'affranchissement devront être payés par l'expéditeur conformément aux pratiques locales. Veuillez consulter votre centre d'entretien local RYOBI agréé pour savoir si ces frais s'appliquent.

5. Le Produit déclaré défectueux par le Consommateur sera inspecté dès sa réception. Une fois le défaut confirmé, les services prévus par les Garanties seront assurés avec la réparation des pièces défectueuses des produits ou leur remplacement par des pièces non défectueuses, à la discrétion de TTI. Si TTI refuse de réparer le défaut ou si la réparation a échoué, à la discrétion de TTI, un produit de remplacement équivalent sera fourni. Les Produits ou pièces remplacés deviennent alors la propriété de TTI. Les réparations ou remplacements effectués dans le cadre des Garanties susmentionnées sont gratuits. Les réparations/remplacements effectués par TTI ne constituent pas une extension ou une nouvelle entrée en vigueur des Garanties. Les pièces de rechange remplacées sont soumises aux Garanties initialement accordées et la période des Garanties se terminera en même temps que la période de la Garantie initialement accordée pour l'ensemble du produit.

6. Les Garanties RYOBI sont accordées par Technonic Industries GmbH, Max-Eyth-Str. 10, 71364 Winnenden, Allemagne, uniquement au Consommateur qui a initialement acheté le Produit et ne peuvent être transférées ou cédées.

7. Les Garanties sont valables dans l'Espace économique européen (EEE), en Suisse et au Royaume-Uni. En dehors de ces zones, veuillez contacter le détaillant auprès duquel l'achat a été effectué pour savoir si une autre garantie volontaire s'applique.

CENTRE D'ENTRETIEN AGRÉÉ

Toute demande ou tout problème concernant le produit peut être transmis à votre centre de réparation agréé local (consultez www.ryobitools.eu) ou directement à : Technonic Industries GmbH, Max-Eyth-Str. 10, 71364 Winnenden, Germany. Veuillez mentionner le numéro de série et le type de produit imprimés sur l'étiquette.

DE ANWENDUNGSBEDINGUNGEN DER RYOBI-GARANTIE

Zusätzlich zu dem beim Kauf eines Produkts generell bestehenden gesetzlichen Rechten – und unbeschadet dieser gesetzlichen Rechte, die weiterhin unabhängig und kostenfrei bestehen – sind alle auf unserer Website angebotenen neuen Elektrowerkzeuge und/oder Gartenwerkzeuge der Marke RYOBI – wie unter „Produkt“ näher ausgeführt und mit Ausnahme von Werkzeugzubehör, Werkzeugausrüstungsgeräten und Ersatzteilen – durch eine freiwillige Garantie abgedeckt, die von der Technonic Industries GmbH („TI“) gemäß den unten aufgeführten Bedingungen ausgestellt wird („Garantie“).

Die Garantie gilt nur für Käufer, die die Produkte als Endbenutzer in ihrer Eigenschaft als Verbraucher („Verbraucher“) käuflich erwerben. Einzelhändler, Vermietungsunternehmen sowie professionelle Endbenutzer sind von diesen allgemeinen Garantiebedingungen ausdrücklich ausgeschlossen. Für professionelle Endbenutzer gilt für bestimmte Produkte u. a. eine andere Art der freiwilligen Garantie, wenn dies ausdrücklich auf der Website www.ryobitools.eu so angegeben ist. Die Inanspruchnahme dieser freiwilligen Garantie schränkt die im Falle eines Mangels geltenden allgemeinen gesetzlichen Rechte des Verbrauchers nicht ein.

1. Die Standardgarantie („Standardgarantie“) hat – sofern das Produkt nur für den privaten Gebrauch erworben wurde – eine Laufzeit von 24 Monaten („Standardgaranzzeitraum“) und beginnt mit dem Kaufdatum des Produkts. Dieses Datum muss durch eine Rechnung oder einen anderen Kaufbeleg dokumentiert werden, damit die Standardgarantie gültig und durchsetzbar ist. Diese Standardgarantie gilt zudem nur für neue Produkte.

2. In einigen Ländern haben Kunden bei bestimmten Produkten die Option, die Standardgarantie über den Standardgaranzzeitraum hinaus zu verlängern, indem sie sich auf der Website www.ryobitools.eu registrieren. Ob für ein Produkt die Option einer erweiterten Garantie („erweiterte Garantie“) besteht, ist auf der Verpackung des jeweiligen Produkts, auf der Website www.ryobitools.eu und/oder in der entsprechenden Produktdokumentation unter <https://www.ryobitools.eu> angegeben. Von der erweiterten Garantie profitieren zu können, müssen Verbraucher ihre(r) Produkt(e) innerhalb von 30 Kalendertagen ab Kaufdatum online registrieren. Alle persönlichen Daten von Verbrauchern werden gemäß der Datenschutzerklärung verarbeitet, die Sie hier finden: <https://uk.ryobitools.eu/footer-links/privacy-policy/>. Der Bestätigungsbefehl für die Registrierung, der per E-Mail versandt wird, und die Originalrechnung mit dem Kaufdatum dienen als Nachweis für die erweiterte Garantie.

3. Die Standardgarantie und die erweiterte Garantie („Garantien“) sind auf die Reparatur und/oder den Ersatz des defekten Produkts nach Ermessen von TI beschränkt, sofern der Defekt in der Verarbeitung oder im Material bereits zum Kaufdatum vorlag. Weitere Kosten oder Verluste können nicht geltend gemacht werden. Darüber hinaus gelten die Garantien nicht für:

- Schäden, die versehentlich, vorsätzlich oder fahrlässig durch den Verbraucher verursacht wurden
- Schäden am Produkt, die auf unsachgemäße Behandlung oder mangelnde Wartung zurückzuführen sind
- Produkte, die verändert oder modifiziert wurden
- Produkte, bei denen die Originalkennzeichnung (Marke, Seriennummer) unkenntlich gemacht, verändert oder entfernt wurde
- Schäden, die durch die Nichtbeachtung der Bedienungsanleitung entstanden sind
- Produkte, die nicht der CE/UKCA-Kennzeichnung unterliegen
- Produkte, bei denen ein Reparaturversuch durch ein nicht autorisiertes Servicecenter oder ohne vorherige Genehmigung durch TI durchgeführt wurde
- Produkte, die an eine falsche Stromversorgung (Ampere, Spannung, Frequenz) angeschlossen wurden
- Produkte, die mit einem ungeeigneten Kraftstoffgemisch (Kraftstoff, Öl, Ölverhältnis) verwendet wurden
- Schäden, die durch äußere Einflüsse (Wasser, Chemikalien, physikalische Einflüsse, Stoßeinwirkungen) oder fremde Substanzen verursacht wurden
- normalen Verschleiß von Ersatzteilen
- unsachgemäße Verwendung, Überlastung des Produkts/der Produkte
- Verwendung von nicht zugelassenen Zubehör- oder Ersatzteilen
- Elektrowerkzeug-Zubehör, das im Lieferumfang des Werkzeugs enthalten war oder separat erworben wurde. Diese Ausschüsse gelten unter anderem für Schraubensätze, Bohrsätze, Schleifschleiben, Schleifpapier und Klingen, seitliche Führungen
- Komponenten (Teile und Zubehör), die normalen Verschleiß unterliegen wie unter anderem Wartungskits, Kohlebürsten, Lader, Spannlutter, SDS-Bohrkronenaufsätze oder -aufnahmen, Netzabzähl, Zusatzgriff, Transportschoner, Schläpfe, Staubbeutel, Staubsaugsauger, Filzschleiben, Schlagsschleisselsteife und -federn, Anschlagbolzen, Antiebstreifen, Kupplungen, Klingen von Heckenschuttern oder Rasenmäher, Metall- und Kabelnadeln, Zinken, Federsteife, Laubbläserventilatoren, Laubbläser- oder Staubzugrohre, Staubsaugerbeutel und -riemen, Führungsschienen, Sägeketten, Schläuche, Anschlussstücke, Sprühdüsen, Räder, Sprühsätze, Inpressen, Außenspannen, Mähmähen, Zündkerzen, Luftfilter, Gasfilter, Mulchmesser usw.

4. Für eine Reparatur im Rahmen der Garantie müssen die Produkte beim Auslieferung von Verarbeitungs- oder Materialfehlern, bzw. sobald diese bemerkt werden, unverzüglich an einen autorisierten RYOBI-Servicepartner gesendet oder diesem vorgelegt werden. Eine Liste der RYOBI-Servicepartner finden Sie auf der folgenden Website: <https://www.ryobitools.eu>. Verbraucher können die Services eines RYOBI-Servicepartners im Rahmen der Garantien in Anspruch nehmen, indem sie

- a. den Händler kontaktieren, bei dem der Kauf getätigt wurde; oder
- b. sich bei der Service-Plattform auf der kommerziellen Website von RYOBI registrieren (<https://www.ryobitools.eu>). Dieser Prozess ist nicht in jedem Land verfügbar.

Für den Versand an einen autorisierten RYOBI-Servicepartner muss das Produkt sicher verpackt werden und darf keine gefährlichen Komponenten enthalten (Einzelheiten finden Sie in den Sicherheitsanweisungen auf der Website unter <https://www.ryobitools.eu>). Die Sendung muss zudem mit der Absenderadresse gekennzeichnet werden und eine kurze Beschreibung des Defekts enthalten. Bitte beachten Sie, dass Versandkosten oder Porto in einigen Ländern gemäß den lokalen Regelungen vom Absender bezahlt werden müssen. Bitte wenden Sie sich an ein autorisiertes RYOBI-Servicecenter in Ihrem Land, um zu erfragen, ob solche Kosten anfallen.

5. Nach Eingang des vom Verbraucher als defekt beanstandeten Produkts, wird das Produkt untersucht. Wird der Mangel bestätigt, werden die im Rahmen der Garantie abgedeckten Leistungen erbracht, indem die defekten Teile der Produkte repariert oder nach Ermessen von TI durch nicht defekte Teile ersetzt werden. Wenn TTi den Defekt nicht reparieren möchte oder wenn die Reparatur nach Erfassen von TTi nicht erfolgreich war, wird ein gleichwertiges Ersatzprodukt bereitgestellt. Produkte oder Teile, für die ein Ersatz bereitgestellt wurde, gehen damit wieder in das Eigentum von TTi über. Alle Reparaturen/Austauscharbeiten im Rahmen der oben genannten Garantien sind für den Verbraucher kostenlos. Mit den von TTi durchgeführten Reparaturen bzw. mit der Bereitstellung von Ersatzprodukten geht keine Verlängerung der Garantie bzw. kein Neustart des Garantiezeitraums einher. Die ersetzten Teile unterliegen den ursprünglich gewährten Garantien, und der Garantiezeitraum endet mit dem Ablauf des Garantiezeitraums der ursprünglich für das gesamte Produkt gewährten Garantie.

6. Die Technonic Industries GmbH, Max-Eyth-Str.10, 71364 Winnenden, Deutschland, gewährt die RYOBI-Garantien ausschließlich dem Verbraucher, der das Produkt ursprünglich erworben hat. Die RYOBI-Garantien können dementsprechend nicht übertragen oder abgetreten werden.

7. Die Garantien gelten im Europäischen Wirtschaftsraum (EWR), in der Schweiz und in Großbritannien. Wenden Sie sich außerhalb dieses Gebietes bitte an den Händler, bei dem das Produkt erworben wurde, um zu erfragen, ob eine anderweitige freiwillige Garantie gelten könnte.

AUTORISIERTES SERVICECENTER

Bitte wenden Sie sich bei Fragen zum oder Problemen mit dem Gerät an das örtliche autorisierte Servicecenter (siehe www.ryobitools.eu) oder direkt an: Technonic Industries GmbH, Max Eyth Straße 10, 71364 Winnenden, Germany. Bitte geben Sie die Seriennummer und den auf dem Typenschild aufgedruckten Gerätetyp an.

ES CONDICIONES DE APLICACIÓN DE LA GARANTÍA DE RYOBI

Además de los derechos legales derivados de la compra de un producto y sin perjuicio de los derechos legales que se aplican de forma independiente y gratuita, todas las herramientas eléctricas y/o herramientas de jardinería nuevas de la marca RYOBI que aparecen en nuestro sitio web, excluidos los accesorios de herramientas, los sistemas de almacenamiento de herramientas y las piezas de repuesto, como se describe más adelante (en la sección “Producto”), están cubiertas por una garantía voluntaria emitida por Technonic Industries GmbH (‘‘TI’’), sujeta a los términos y condiciones que se indican a continuación (‘‘Garantía’’).

La Garantía solo es aplicable al comprador o compradores que adquieran los productos como usuarios finales en su calidad de consumidores (‘‘Consumidor’’). Quedan expresamente excluidos de estas condiciones generales de la Garantía los minoristas, las empresas de alquiler y los usuarios finales profesionales. En el caso de los usuarios finales profesionales, puede aplicarse otro tipo de garantía voluntaria a determinados productos, si se indica explícitamente en el sitio web www.ryobitools.eu. La invocación de esta Garantía voluntaria no limita los derechos legales del Consumidor en caso de defecto.

1. La garantía estándar (‘‘Garantía estándar’’), siempre que el Producto se adquiera exclusivamente para uso privado, tiene una duración de 24 meses (‘‘Período de garantía estándar’’) y comienza en la fecha de compra del producto. Esta fecha debe documentarse mediante una factura u otro justificante de compra para que la Garantía estándar sea válida y aplicable. Esta Garantía estándar también se aplica únicamente a los Productos nuevos.

2. Los consumidores de determinados países pueden ampliar la Garantía estándar de los Productos elegibles más allá del período de Garantía estándar registrándose en el sitio web www.ryobitools.eu. La elegibilidad de los Productos para la garantía ampliada (‘‘Garantía ampliada’’) se especifica en el empaque del Producto, en el sitio web www.ryobitools.eu o está contenida en la documentación pertinente del Producto en <https://www.ryobitools.eu>. Para beneficiarse de la Garantía ampliada, los Consumidores deben registrar sus Productos en línea en un plazo de 30 días naturales a partir de la fecha de compra. Toda la información personal de un Consumidor se procesará de acuerdo con la declaración de privacidad, que se puede encontrar en <https://uk.ryobitools.eu/footer-links/privacy-policy/>. El recibo de confirmación del registro, que se envía por correo electrónico, y la factura original que muestra la fecha de compra servirán como prueba de la Garantía ampliada.

3. La Garantía estándar y la Garantía ampliada (‘‘Garantías’’) se limitan a la reparación u/o sustitución del Producto defectuoso a discreción de TTi siempre que el defecto de fabricación o material existiera en la fecha de compra. No se pueden reclamar más costes ni pérdidas. Además, las Garantías no se aplican a:

- ningún daño causado accidentalmente, voluntariamente o negligentemente por el Consumidor
- ningún daño en el Producto que sea resultado de un tratamiento inadecuado o de la falta de mantenimiento
- ningún Producto que haya sido alterado o modificado
- ningún Producto en el que se hayan deformado, modificado o eliminado las marcas de identificación original (marca comercial, número de serie)
- ningún daño causado por el incumplimiento del manual de instrucciones
- Productos que no están sujetos a la marca CE/UKCA
- ningún Producto que se haya intentado reparar en un centro de servicio no autorizado o sin la autorización previa de TI
- ningún Producto conectado a una fuente de alimentación inadecuada (amperios, voltaje, frecuencia)
- ningún Producto utilizado con una mezcla de combustible inadecuada (combustible, aceite, proporción de aceite)
- ningún daño causado por influencias externas (agua, productos químicos, físicos, golpes) o sustancias extrañas
- desgaste normal de las piezas de repuesto
- uso inadecuado, sobrecarga de los Productos
- uso de accesorios o piezas no aprobados
- accesorios de la herramienta eléctrica suministrados con la herramienta o adquiridos por separado. Tales exclusiones incluyen, entre otros, puntas de desmontador, brocas, discos abrasivos, papeles de lija y cuchillas, juntas laterales
- componentes (piezas y accesorios) sujetos al desgaste normal, incluidos, entre otros, kits de mantenimiento y servicio, escobillas de carbón, cojinetes, portabrocas, fijación o recepción de brocas SDS, cable de alimentación, mango auxiliar, maletín de transporte, placa de lijado, bolsa para polvo, tubo de escape de polvo, arandelas de filtro, pasadores de llave de impacto y muelles, mandos de tope, correas de transmisión, embrague, cuchillas de cortasetos o cortacésped, armas, acelerador de cable, púas, pasadores de enganche, ventiladores del soplador, tubos del soplador y de vacío, bujías y correas de vacío, barras guía, cadenas de sierra, mangueras, conexiones de conector, bocillos pulverizadores, ruedas, varillas pulverizadoras, carretes interiores, carretes exteriores, líneas de corte, bujías, filtros de aire, filtros de gas, cuchillas trituradoras, etc.

4. Para el servicio de garantía, los Productos defectuosos deben ser enviados o presentados sin demora indebida tras la aparición o el reconocimiento del defecto de fabricación o material a un socio de servicios de RYOBI autorizado que figure en la siguiente página web <https://www.ryobitools.eu>. Los consumidores pueden obtener los servicios de las Garantías de un socio de servicios de RYOBI de la siguiente manera:

- a. poniéndose en contacto con el establecimiento en el que se realizó la compra; o
- b. registrándose a través de la plataforma de servicios disponibles en la página web comercial de RYOBI <https://www.ryobitools.eu>. La disponibilidad del proceso puede variar de un país a otro.

Al enviar un Producto a un socio de servicios de RYOBI, el Producto deberá estar embalado de forma segura y sin contenido peligroso (para más detalles, consulte las instrucciones de seguridad en la página web <https://www.ryobitools.eu>), marcado con la dirección del remitente y acompañado de una breve descripción del defecto. Tenga en cuenta que, en algunos países, el remitente deberá pagar los gastos de envío o el franco de acuerdo con las prácticas locales. Consulte a su centro de servicio local autorizado de RYOBI para confirmar si se aplican dichos cargos.

5. Se inspeccionará el Producto que el Consumidor ha declarado como defectuoso tras su recepción. Una vez confirmado el defecto, se prestarán los servicios previstos en las Garantías mediante la reparación de las piezas defectuosas de los productos o su sustitución por piezas no defectuosas a discreción de TTi. Si TTi se niega a reparar el defecto o si, a discreción de TTi, la reparación ha fracasado, se suministrará un recambio equivalente. Los Productos o las piezas sustituidos pasarán a ser propiedad de TTi. Cualquier reparación/sustitución bajo las Garantías anteriores es gratuita. Las reparaciones/sustituciones realizadas por TTi no constituyen una ampliación ni un nuevo inicio de las Garantías. Las piezas de repuesto sustituidas están sujetas a las Garantías otorgadas originalmente y el periodo de las Garantías será el periodo de Garantía concedido originalmente a todo el producto.

6. Technonic Industries GmbH, Max-Eyth-Str.10, 71364 Winnenden, Alemania, concede las Garantías de RYOBI únicamente al Consumidor que adquirió originalmente el Producto, y no puede transferirse ni asignarse.

7. Las Garantías son válidas en el Espacio Económico Europeo (EEE), Suiza y el Reino Unido. Fuera de estas áreas, póngase en contacto con el establecimiento en el que realizó la compra para averiguar si se aplica otra garantía voluntaria.

CENTRO DE SERVICIO AUTORIZADO

Cualquier solicitud o problema relacionado con el producto se puede remitir a su centro de servicio autorizado local (visite www.ryobitools.eu) o directamente a: Technonic Industries GmbH, Max Eyth Straße 10, 71364 Winnenden, Germany. Indique el número de serie y el tipo de producto que aparecen impresos en la etiqueta.

IT CONDIZIONI DI APPLICAZIONE DELLA GARANZIA RYOBI

In aggiunta ai diritti di legge risultanti dall'acquisto di un prodotto e senza pregiudicare i diritti di legge applicabili in modo indipendente e gratuito, tutti i nuovi utensili elettrici e/o attrezzi da giardinaggio RYOBI elencati sul nostro sito web, esclusi gli accessori per gli utensili, i relativi sistemi di stoccaggio e le parti di ricambio, come ulteriori descritti ("Prodotti"), sono coperti da una garanzia volontaria emessa da Technonic Industries GmbH ("TTI"), nel rispetto dei termini e delle condizioni indicate di seguito ("Garanzie").

La Garanzia è valida solo per gli acquirenti che acquistano i prodotti come utenti finali, in veste di consumatori ("Consumatore"). I rivenditori, le società di noleggio e gli utenti finali professionali sono espressamente esclusi dai presenti termini e condizioni generali della Garanzia. Per gli utenti finali professionali, un diverso tipo di garanzia volontaria può essere applicabile a determinati prodotti, se esplicitamente indicato sul sito web www.ryobitools.eu. Il ricorso alla presente Garanzia volontaria non limita i diritti di legge del Consumatore in caso di difetti.

1. La garanzia standard ("Garanzia standard"), a condizione che il Prodotto sia acquistato esclusivamente per utilizzo privato, ha una durata di 24 mesi ("Periodo di Garanzia standard") e decorre dalla data di acquisto del Prodotto. Tale data deve essere documentata da una fattura o altra prova di acquisto affinché la Garanzia standard sia valida e applicabile. La presente Garanzia standard si applica anche ai nuovi Prodotti.

2. I Consumatori di alcuni paesi possono prolungare la Garanzia standard per i Prodotti idonei oltre il periodo previsto per tale garanzia, registrandosi sul sito web www.ryobitools.eu. L'identità dei Prodotti per la garanzia estesa ("Garanzia estesa") è specificata nella confezione di ciascun Prodotto, sul sito web www.ryobitools.eu e/o è contenuta nella relativa documentazione del Prodotto all'indirizzo <https://www.ryobitools.eu>. Per usufruire della Garanzia estesa, i Consumatori sono tenuti a registrare i propri Prodotti online entro 30 giorni di calendario dalla data di acquisto, al fine di beneficiare di tale garanzia. Tutte le informazioni personali dei Consumatori saranno trattate in conformità all'informativa sulla privacy, disponibile all'indirizzo <https://uk.ryobitools.eu/footer-links/privacy-policy/>. La conferma di registrazione, inviata tramite e-mail, e la fattura originale indicante la data di acquisto costituiranno la prova della Garanzia estesa.

3. La Garanzia standard e la Garanzia estesa ("Garanzie") sono limitate alla riparazione o allo sostituzione del Prodotto difettoso, a discrezione di TTI, a condizione che il difetto di fabbricazione o del materiale esista alla data di acquisto. Non è possibile richiedere la rifusione di ulteriori costi o perdite. Inoltre, le Garanzie non sono valide per:

- eventuali danni causati accidentalmente, deliberatamente o negligenzatamente dal Consumatore
- eventuali danni al Prodotto risultanti da un trattamento improprio o da mancanza di manutenzione
- Prodotti che siano stati alterati o modificati
- Prodotti in cui le marcature di identificazione originali (marchio di fabbrica, numero di serie) siano state cancellate, alterate o rimosse
- eventuali danni causati dalla mancata osservanza del manuale di istruzioni
- Prodotti privi di marcatura CE/UKCA
- Prodotti che siano stati sottoposti a tentativi di riparazione presso un centro di assistenza non autorizzato o senza previa autorizzazione da parte di TTI
- Prodotti collegati a una fonte di alimentazione non corretta (per ampere, tensione, frequenza)
- Prodotti utilizzati con una miscela di carburante non adeguata (carburante, olio, percentuale di fosfo)
- eventuali danni causati da influenze esterne (acqua, sostanze chimiche, sostanze fisiche, urti) o da sostanze estranee
- normale usura delle parti di ricambio
- uso inappropriato, sovraccarico dei Prodotti
- uso di accessori o parti non omologate
- accessori per utensili elettrici forniti con lo strumento o acquistati separatamente. Tali esclusioni includono, a mero titolo esemplificativo, punte per cacciaviti, punte per trapani, dischi abrasivi, carta vetrata, lame e guide laterali
- componenti (parti e accessori) soggetti a normale usura, inclusi, a mero titolo esemplificativo, kit di assistenza e manutenzione, spazzole al carbonio, cuscinetti, mandrini, attacchi per punte SDS, cavi di alimentazione, maniglie ausiliarie, custodie per il trasporto, piastre di levigatura, sacchetti per la raccolta della polvere, tubi di scarico della polvere, rondelle in ferro, penni e molle della chiave a percussione, pommoli di battuta, cinghie di trasmissione, frizioni, lame di tagliatori o tagliaerba, imbracature, cavi di accelerazione, denti di ingrangio, penni, ventole, tubi di soffiatori e aspiratori, sacchetti e cinghie per aspirapolvere, barre guida, catene per segha, tubi flessibili, raccordi di commessione, ugelli di spruzzo, ruote, erogatori, bobine interne ed esterne, linee di taglio, candele, filtri dell'aria, filtri del gas, lame per mulching, ecc.

4. Per gli interventi di assistenza in garanzia, i Prodotti devono essere spediti o portati, senza indebito ritardo dopo il verificarsi o il riconoscimento del difetto di lavorazione o materiale, presso uno dei centri di assistenza autorizzati RYOBI indicati sul sito web <https://www.ryobitools.eu>. I Consumatori possono ottenere i servizi previsti dalle Garanzie presso uno dei centri di assistenza RYOBI. I Consumatori possono ottenere i servizi previsti dal rivenditore presso il quale è stato effettuato l'acquisto; oppure

b. registrandosi tramite la piattaforma di servizi disponibile sulla pagina web Commerciale RYOBI <https://www.ryobitools.eu/>, la disponibilità del processo potrebbe variare da paese a paese. Il Prodotto da inviare al centro di assistenza autorizzato RYOBI deve essere imballato in modo sicuro senza contorni pericolosi (per i dettagli, consultare le istruzioni di sicurezza sul sito web <https://www.ryobitools.eu/>), apponendo l'indirizzo del mittente, e accompagnato da una breve descrizione del difetto. In alcuni paesi, le spese di consegna e le spese postali dovranno essere pagate dal mittente secondo le prassi locali. Consultare il centro di assistenza RYOBI autorizzato di zona per verificare l'applicazione di tali spese.

5. Alla ricezione del Prodotto che il Consumatore ritiene difettoso, si procederà a un'ispezione. Una volta confermato il difetto, i servizi previsti dalle Garanzie saranno forniti riparando le parti difettose dei Prodotti o sostituendole con i prodotti difettosi, a discrezione di TTI. Qualora TTI dovesse rifiutarsi di riparare il difetto o nel caso in cui, a discrezione di TTI, la riparazione non fosse riuscita, verrà fornito un prodotto sostitutivo equivalente. I Prodotti o le parti sostituite diventeranno di proprietà di TTI. Eventuali riparazioni/sostituzioni in virtù delle Garanzie di cui sopra sono gratuite. Le riparazioni/sostituzioni effettuate da TTI non costituiscono un prolungamento o un nuovo inizio del periodo di validità delle Garanzie. Le parti di ricambio sostituite sono soggette alle Garanzie originariamente fornite e il periodo di validità delle Garanzie terminerà con il periodo di Garanzia originariamente previsto per l'intero prodotto.

6. Le Garanzie RYOBI sono concesse da Technonic Industries GmbH, Max-Eyth-Str.10, 71364 Winnenden, Germania, esclusivamente al Consumatore che ha acquistato originariamente il Prodotto e non possono essere trasferite o cedute.

7. Le Garanzie sono valide nello spazio economico europeo (SEE), in Svizzera e nel Regno Unito. Al di fuori di tali aree, contattare il rivenditore presso il quale è stato effettuato l'acquisto per verificare se è valida un'altra garanzia volontaria.

CENTRO DI ASSISTENZA AUTORIZZATO

Qualsiasi richiesta o problema con il prodotto può essere indirizzato ai centri di assistenza autorizzati locali (visitare www.ryobitools.eu) o direttamente a: Technonic Industries GmbH, Max Eyth Straße 10, 71364 Winnenden, Germany. Si prega di indicare il numero di serie e il tipo di prodotto stampati sull'etichetta.

NL GARANTIEVOORWAARDEN VAN RYOBI

Naast alle wettelijke rechten die voortvloeien uit de aankoop van een product en onverminderd de wettelijke rechten die onafhankelijk en kosteloos van toepassing zijn, vallen alle nieuwe elektrische gereedschappen en/of tuingeredschappen van RYOBI die op onze website worden vermeld, met uitzondering van gereedschapsaccessoires, opslagsystemen voor gereedschap en reserveonderdelen, zoals nader beschreven onder ("Product"), onder een vrijwillige garantie van Technonic Industries GmbH ("TTI"), volgens de hieronder vermelde voorwaarden ("Garantie").

De garantie is alleen van toepassing op koper(s) die de producten als eindgebruikers in hun hoedanigheid van consument ("consument") kopen. Detailhandelaars, verhuurbedrijven en professionele eindgebruikers zijn uitdrukkelijk uitgesloten van deze algemene voorwaarden van de garantie. Voor professionele eindgebruikers kan een ander soort vrijwillige garantie van toepassing zijn op bepaalde producten, indien uitdrukkelijk vermeld op de website www.ryobitools.eu. De intrekking van deze vrijwillige garantie beperkt de wettelijke rechten van de consument in geval van een defect niet.

1. De standaardgarantie ("standaardgarantie"), mis het product uitsluitend voor privégebruik wordt aangeschaft, heeft een looptijd van 24 maanden ("standaardgarantieperiode") en gaat in op de datum waarop het product is aangeschaft. Deze datum moet worden gedocumenteerd met een factuur of ander aankoopbewijs om ervoor te zorgen dat de standaardgarantie geldig en afdwingbaar is. Deze standaardgarantie geldt ook alleen voor nieuwe producten.

2. Consumenten in bepaalde landen kunnen de standaardgarantie in aanmerking komende producten verlengen tot na de periode van de standaardgarantie, door zich te registreren op de website www.ryobitools.eu. Om producten in aanmerking komen voor de verlengde garantie ("verlengde garantie") wordt vermeld op de verpakking van een product, op de website www.ryobitools.eu en/of is opgenomen in de relevante productdocumentatie onder <https://www.ryobitools.eu>. Om gebruik te kunnen maken van de verlengde garantie moeten consumenten hun product(en) online registreren binnen 30 kalenderdagen na de aankoopdatum om van deze verlengde garantie gebruik te maken. Alle persoonlijke gegevens van een consument worden verwerkt in overeenstemming met de privacyverklaring, die u hier kunt vinden: <https://uk.ryobitools.eu/footer-links/privacy-policy/>. De ontvanging/bevestiging van de registratie, die per e-mail wordt verzonden, en de originele factuur waarop de aankoopdatum is vermeld, dienen als bewijs van de verlengde garantie.

3. De standaardgarantie en de verlengde garantie ("garanties") zijn beperkt tot reparatie en/of vervanging van het defecte product naar goeddunken van TTI, mis het defect in fabricage of materiaal bestond op de datum van aankoop. Er kunnen geen verdere kosten of verliezen worden gecclaimd. Bovendien zijn de garanties niet van toepassing op:

- schade die per ongeluk, opzettelijk of door nalatigheid van de klant is veroorzaakt
- schade aan het product die het gevolg is van onjuiste behandeling of gebrek aan onderhoud
- elk product dat is gewijzigd of aangepast
- elk product waarvan de oorspronkelijke identificatiemarkeerders (handelsmerk, serienummer) zijn beschadigd, gewijzigd of verwijderd
- eventuele schade veroorzaakt door het niet naleven van de instructiehandleiding
- producten waarvoor geen CE/UKCA-markering geldt
- elk product dat is geprobeerd te repareren door een niet-geautoriseerd servicecentrum of zonder voorafgaande toestemming van TTI
- elk product dat is aangesloten op een onjuiste voeding (stroomsterkte, spanning, frequentie)
- elk product dat wordt gebruikt met een onjuist brandstofmengsel (brandstof, olie, olieverhouding)
- schade veroorzaakt door invloeden van buitenaf (water, chemisch, fysisch, schokken) of vreemde stoffen
- normale slijtage van reserveonderdelen
- onjuist gebruik, overbelasting van het product(en)
- gebruik van niet-goedgekeurde accessoires of onderdelen
- accessoires voor elektrisch gereedschap die bij het gereedschap worden geleverd of afzonderlijk worden aangeschaft. Dergelijke uitsluitingen omvatten maar zijn niet beperkt tot schroefbits, boorbits, schuurschijven, schuurpapier en bladen, zijgleiding.
- Onderdelen (onderdelen en accessoires) die normaal slijten, met inbegrip van, maar niet beperkt tot service- en onderhoudsuits, koolborstels, lagers, spankop, SDS-boorbitbevestiging of -opname, netkroon, handgreep, transportkroon, schuurpapier, stekker, stofafzuigpomp, viltlingen, pennen en veren van slagmoedelele, stotkoppelen, aandrijfmotoren, koppeling, bladen van heggenscharen of grasmaaiers, kabelboom, gashendel, tanden, viltlingen, trekkelpennen, blazers, blaas- en zuigbuizen, opvangzak en banden, geleidestangen, zaagkettingen, slangen, aansluitklemmen, sproeikoppen, wielen, sproeislangen, binnenspoelen, buitenspoelen, snijlijnen, bougies, luchtfilters, gasfilters, mulchscherm, enz.

4. Voor garantieverzoek moet het product of model van de producten zonder onnodige vertraging na het optreden of de herkenning van het fabricage- of materiaaldefect worden verzonden naar of overhandigd aan een geautoriseerd RYOBI-servicepartner die u vindt op de volgende website: <https://www.ryobitools.eu/>. Consumenten kunnen aanspraak maken op de diensten onder de garanties van een RYOBI-servicepartner door

a. contact op te nemen met de verkoper waar de aankoop is gedaan; of

b. registratie via het serviceplatform dat beschikbaar is op de commerciële website van RYOBI: <https://www.ryobitools.eu/>. De beschikbaarheid van het proces kan per land verschillen.

Wanneer een product naar een geautoriseerd servicepartner van RYOBI wordt gestuurd, moet het product veilig worden verpakt zonder gevaarlijke inhoud (zie voor meer informatie de veiligheidsinstructies op de website <https://www.ryobitools.eu/>), voorzien van het adres van de afzender en vergezeld van een korte beschrijving van het defect. Houd er rekening mee dat in sommige landen volgens de lokale procedures (verzendkosten) door de verzender moeten worden betaald. Neem contact op met uw plaatselijke, erkende RYOBI-servicecentrum om de controleden van dergelijke kosten van toepassing zijn.

5. Na ontvangst van het product dat door de klant als defect wordt beschouwd, zal het worden geïnspecteerd. Wanneer het defect is bevestigd, worden de diensten onder de garanties verleend door de defecte onderdelen van de producten te repareren of te vervangen door niet-defecte onderdelen naar keuze van TTI. Indien TTI weigert het defect te repareren of indien de reparatie naar goeddunken van TTI is mislukt, wordt een gelijkwaardig vervangproduct geleverd. De vervangen producten of onderdelen worden eigendom van TTI. Alle reparaties/vervangingen onder de bovengestelde garanties is gratis. De door TTI uitgevoerde reparaties/vervangingen vormen geen verlenging of nieuw start van de garanties. De vervangen reserveonderdelen zijn onderworpen aan de oorspronkelijk gegeven voorwaarden van de garantieperiode loopt af met de garantieperiode die oorspronkelijk voor het gehele product was verstrekt.

6. De garanties van RYOBI worden door Technonic Industries GmbH, Max-Eyth-Str.10, 71364 Winnenden, Duitsland, uitsluitend verleend aan de consument die het product oorspronkelijk heeft gekocht en mogen niet worden overgedragen of toegevoegd.

7. De garanties gelden niet in de Europese Economische Ruimte (EER), Zwitserland en het Verenigd Koninkrijk. Buiten deze gebieden kunt u contact opnemen met de verkoper waar de aankoop is gedaan om te weten te komen of er een andere vrijwillige garantie van toepassing is.

GEAUTORISEERD SERVICECENTRUM

Elk verzoek of probleem met het product kan worden gericht aan uw lokale geautoriseerde servicecentrum (bezoek www.ryobitools.eu/) of rechtstreeks aan: Technonic Industries GmbH, Max Eyth Straße 10, 71364 Winnenden, Germany. Vermeld het serienummer en het type product dat op het etiket staat.

PT CONDIÇÕES DE APLICAÇÃO DA GARANTIA RYOBI

Para além de quaisquer direitos legais decorrentes da aquisição de um produto e sem prejuízo dos direitos estatutários aplicáveis de forma independente e gratuita, todas as novas ferramentas elétricas e/ou ferramentas de jardim com a marca RYOBI indicadas no nosso website, excluindo acessórios de ferramentas, sistemas de armazenamento de ferramentas, e peças sobresselentes, conforme descrito em ("Produto"), estão cobertas por uma garantia voluntária emitida pela Technrich Industries GmbH ("TTI"), sujeita aos termos e condições indicados abaixo ("Garantia").

A Garantia aplica-se aplicável ao(s) comprador(es) que adquira(m) os produtos como utilizador(es) final(is) na sua qualidade de consumidor(es) ("Consumidor"). Os revendedores, as empresas de aluguer e os utilizadores finais profissionais estão expressamente excluídos dos presentes termos e condições gerais da Garantia. Para os utilizadores finais profissionais, pode ser aplicável um tipo diferente de garantia voluntária para determinado(s) produto(s), se explicitamente previsto no website www.ryobitools.eu. A invocação da presente Garantia voluntária não limita os direitos legais estatutários do Consumidor em caso de defeito.

- A Garantia padrão ("Garantia padrão"), desde que o Produto seja adquirido apenas para uso privado, tem um prazo de 24 meses ("Período de garantia padrão") e tem início na data em que o produto foi adquirido. Esta data tem de ser documentada por uma fatura ou outra prova de compra para que a Garantia padrão seja válida e aplicável. A presente Garantia padrão também se aplica a Produto(s) novo(s).
- Os Consumidores de determinados países poderão ter a possibilidade de prolongar a Garantia padrão para produtos eletrônicos para além do período da Garantia padrão, através do registo no website www.ryobitools.eu. A elegibilidade dos Produtos para a extensão da Garantia ("Extensão da garantia") está especificada na embalagem de um Produto, no website www.ryobitools.eu, ou está incluída na documentação relevante do Produto em <https://www.ryobitools.eu/>. Para beneficiar da Extensão da garantia, os Consumidores têm de registar o(s) seu(s) Produto(s) online no prazo de 30 dias consecutivos a contar da data de compra para beneficiarem desta Extensão da garantia. Todas as informações pessoais de um Consumidor serão processadas de acordo com a declaração de privacidade, que pode ser encontrada aqui <https://uk.ryobitools.eu/footer-links/privacy-policy/>. O recibo de confirmação do registo, que é enviado por e-mail, e a fatura original com a data de compra servirão de prova da Extensão da garantia.
- A Garantia padrão e a Extensão da garantia ("Garantias") estão limitadas a reparação e/ou substituição do Produto com defeito ao critério da TTI, desde que o defeito de fabrico ou de material existisse à data da compra. Não podem ser reclamados custos ou perdas adicionais. Além disso, as Garantias não se aplicam a:
 - qualquer dano causado acidentalmente, deliberadamente ou negligentemente pelo Consumidor
 - qualquer dano no Produto resultante de tratamento inadequado ou falta de manutenção
 - qualquer Produto que tenha sido alterado ou modificado
 - qualquer Produto em que as marcas originais de identificação (marca comercial, número de série) tenham sido desmarcadas, alteradas ou removidas
 - qualquer dano causado pelo não observância do manual de instruções
 - Produtos que não estão sujeitos a uma marcação CE/UKCA
 - qualquer Produto que tenha sido tentado reparar por um centro de assistência não autorizado ou sem autorização prévia da TTI
 - qualquer Produto ligado a uma fonte de alimentação inadequada (ampères, tensão, frequência)
 - qualquer Produto utilizado com mistura de combustível inadequada (combustível, óleo, relação de óleo)
 - qualquer dano causado por influências externas (água, produtos químicos, físicos, choques) ou substâncias estranhas
 - desgaste normal das peças sobresselentes
 - utilização inadequada, sobrecarga do(s) Produto(s)
 - utilização de acessórios ou peças não aprovados
 - acessórios para ferramentas elétricas fornecidos com a ferramenta ou adquiridos em separado. Estas exclusões incluem, entre outras, brocas, coroas, discos abrasivos, lâminas e lâminas, guia lateral
 - componentes (peças e acessórios) sujeitos a desgaste normal, incluindo, entre outros, kits de assistência e manutenção, escovas de carbono, rolamentos, munição, fixação ou receção de brocas SDS, cabos de alimentação, punhos auxiliares, malas de transporte, placas de lixa, sacos para poeiras, tubos de escape de poeiras, anilhas de filtro, pinos e molas da chave de impacto, botões de impacto, correntes de transmissão, lâminas de corta-velas ou corta-herbas, corria, cabo do acelerador, dentes, pinos de engate, ventiladores do soprador, tubos de vácuo e soprador, sacos e correntes de vácuo, lâminas de gao, correntes de serra, mangueiras, cones, locais de pulverização, rodas, hastas de pulverização, bobinas interiores, bobinas exteriores, linhas de corte, velas de ignição, filtros de ar, filtros de gás, lâminas de titulação, etc.
- Para efeitos de assistência de garantia, o(s) Produto(s) deve(m) ser enviado(s) ou apresentado(s) sem demora injustificada após a ocorrência ou reconhecimento do defeito de fabrico ou de material a um parceiro de assistência autorizado RYOBI listado no seguinte website <https://www.ryobitools.eu/>. Os Consumidores podem obter os serviços cobertos pelas Garantias de um parceiro de serviços da RYOBI
 - a. contactando o revendedor onde o produto foi adquirido; ou
 - b. registando-se através da plataforma de serviços disponível na página web comercial da RYOBI <https://www.ryobitools.eu/>, a disponibilidade do processo pode variar de país para país. Ao enviar um Produto para um parceiro de assistência autorizado da RYOBI, o Produto deve ser embalado em segurança sem conteúdos perigosos (para além mais informações, consulte as instruções de segurança no website em <https://www.ryobitools.eu/>), marcado com a morada do remetente e acompanhado por uma breve descrição do defeito. Tenha em atenção que, em alguns países, as despesas de entrega ou franquia terão de ser pagas pelo remetente de acordo com a prática local. Consulte o centro de assistência técnica local autorizado RYOBI para confirmar se são aplicáveis essas taxas.
- Após a receção do Produto reclamado como defeituoso pelo Consumidor, este será inspecionado. Quando o defeito for confirmado, os serviços cobertos das Garantias serão prestados através da reparação das peças defeituosas dos produtos ou da sua substituição por peças não defeituosas, segundo o critério da TTI. Se a TTI se recusar a reparar o defeito ou se, ao critério da TTI, a reparação falhar, será fornecida uma substituição equivalente ao cliente. O(s) Produto(s) ou peça(s) substituído(s) tornar-se-á(ão) propriedade da TTI. Qualquer reparação/substituição coberta pelas Garantias acima indicadas é gratuita. A(s) reparação(ões)/substituição(ões) realizada(s) pela TTI não constitui(ão) uma extensão ou um novo início das Garantias. As peças sobresselentes substituídas estão sujeitas às Garantias originalmente concebidas e o período para as Garantias terminará com o período para a Garantia inicialmente concedido para todo o produto.
- As Garantias da RYOBI são concedidas pela Technrich Industries GmbH, Max-Eyth-Str. 10, 71364 Winnenden, Alemanha, apenas ao Consumidor que adquiriu originalmente o Produto e não podem ser transferidas nem atribuídas.
- As Garantias são válidas no Espaço Económico Europeu (EEE), na Suíça e no Reino Unido. Fora destas áreas, contacte o revendedor onde o produto foi adquirido para saber se se aplica outra garantia voluntária.

CENTRO DE ASSISTÊNCIA TÉCNICA AUTORIZADO

Qualquer pedido ou problema relacionado com o produto pode ser encaminhado para os seus centros de reparação autorizados locais (visite www.ryobitools.eu/) ou diretamente para: Technrich Industries GmbH, Max Eyth Straße 10, 71364 Winnenden, Germany. Indique o número de série e o tipo de produto impressos na etiqueta.

DA BETINGELSER FOR ANVENDELSE AF RYOBI-GARANTI

Ud over de lovbestemte rettigheder, der følger køb af et produkt, og uden at det berører de lovbestemte rettigheder, der gælder uafhængigt og uden omkostninger, er alle nye RYOBI-mærkede elværktøjer og/eller havevarekskaber, der er anført på vores hjemmeside, med undtagelse af værktøjsliberhøjt, værktøjsopbevaringsystemer, og reservedele, som nærmere beskrevet under "Produkt" dækket af en frivillig garanti udstedt af Technrich Industries GmbH ("TTI") i henhold til de vilkår og betingelser, der er angivet nedenfor ("Garanti").

Garantien gælder kun for en køber/køberinde, der køber produktet som slutbruger i dennes egenkab for forbrugere ("Forbrugere"). Forhandlere, udlæringsfirmaer og professionelle slutbrugere er udradikvædet udelukket fra disse generelle vilkår og betingelser i garantien. For professionelle slutbrugere kan en anden form for frivillig garanti gælde for visse produkter, hvis det udtrykkeligt fremgår af hjemmesiden www.ryobitools.eu. Påberøelse af denne frivillige garanti begrænser ikke forbrugers lovsmæssige rettigheder i tilfælde af en defekt.

- Standardgarantien ("Standardgaranti"), forudsat at produktet kun er købt til privat brug, har en løbetid på 24 måneder ("Standardgarantiperiode") og begynder på den dato, hvor produktet blev købt. Denne dato skal dokumenteres ved en faktura eller andet bevis, for at standardgarantien er gyldig og kan håndhæves. Denne standardgaranti gælder også kun for de nyhvide produkter.
- Forbrugere i visse lande kan muligvis forlange standardgarantier for berettigede produkter ud over standardgarantiperioden ved at registrere sig på hjemmesiden www.ryobitools.eu. Produkternes berettigelse til den udvidede garanti ("Udvidet garanti") er angivet på emballagen til et produkt, på hjemmesiden www.ryobitools.eu, og/eller er indeholdt i den relevante produktindkommentar under <https://www.ryobitools.eu/>. For at drage fordel af den udvidede garanti skal forbrugere registrere deres produkt(er) online inden for 30 kalenderdage fra købsdatoen for at drage fordel af denne udvidede garanti. Alle personlige oplysninger om en forbruger behandles i overensstemmelse med erklæringen om beskyttelse af personlige oplysninger, som findes her <https://uk.ryobitools.eu/footer-links/privacy-policy/>. Kvitteringen for registreringsbekræftelsen, som sendes ud via e-mail, og den originale faktura, der angiver købsdatoen, vil tjene som bevis for den udvidede garanti.
- Standardgarantien og den udvidede garanti ("Garantier") er begrænset til reparation og/eller udfixning af det defekte produkt efter TTIs skøn, forudsat at defekten i udførelse eller materiale eksisterede på købsdatoen. Der kan ikke gøres krav på yderligere omkostninger eller tab. Desuden gælder garantierne ikke for:
 - Enhver skade forårsaget ved et uheld, forsætligt eller uagtsomt af forbrugeren
 - Eventuelle skader på produktet, der skyldes forkert behandling eller manglende vedligeholdelse
 - Ethvert produkt, der er blevet ændret eller modificeret
 - Ethvert produkt, hvor den oprindelige identifikationsmærkning (varemærke, serienummer) er blevet deforimeret, ændret eller fjernet
 - Eventuelle skader, der skyldes manglende overholdelse af brugsanvisningen
 - Produkter, som ikke er CE/UKCA-mærket
 - Ethvert produkt, der er forseglet/repareret af et ikke-autoriseret servicecenter eller uden forudgående tilladelse fra TTI
 - Ethvert produkt, der har været tilsluttet forkert strømforsyning (strømstyrke, spænding, frekvens)
 - Ethvert produkt, der har været anvendt med en forkert brændstoftilførsel (brændstof, olie, olieblanding)
 - Skader forårsaget af ydre påvirkninger (vand, kemiske stoffer, fysiske stød) eller fremmedlegemer
 - Normal slitage af reservedele
 - Uensigtsmæssig anvendelse, overbelastning af produktet/produkterne
 - Anvendelse af ikke-godkendt tilbehør eller dele
 - Tilbehør til elværktøj, der leveres sammen med værktøjet eller købes separat. Sådanne udstyrsdele omfatter, men er ikke begrænset til, skruetrækkere, bor, silbesciver, sandpapir og blade, sidestyrt
 - Komponenter (dele og tilbehør), der er udstøbt for normal slitage, herunder, men ikke begrænset til service- og vedligeholdelsesstat, kulbørster, lejer, borepartor, SDS-bortborer eller -fastgøresansordning, neldning, ekstra håndtag, transportkasse, silbescive, stoppe, støvslange, tilslagnesliffestifter og -fæde, knopper, drivremme, kobling, knive til hækkeklippere eller plænkøllere, seje, gashåndtag, tænder, tilkoblingsstifter, ventilatorer, blæsere og vakuumpose, vakuumpose og -strop, styrestænger, svækkere, slanger, tilslutningsflisesprøjteudstyr, hjul, sprøjtestænger, indvendige ruller, udvendige spoler, skærelindinger, tændrør, luftfilter, gasfilter, bioklubbingsblæde osv.
- For garantisejls skal produktet/produkterne uden undtag forsinkelse eller forekomst eller erkendelse af defekt i udførelse eller materiale sendes til og fremvises for en af de autoriserede RYOBI-servicepartnere, der er anført på følgende websted <https://www.ryobitools.eu/>. Kunden kan få leveret ydelseme under garantierne hos en RYOBI-servicepartner ved at
 - a. kontakte den forhandler, hvor købet blev foretaget, eller
 - b. registrere sig via den serviceplatform, der er tilgængelig på RYOBI's kommercielle hjemmeside <https://www.ryobitools.eu/>. Tilgængeligheden af processen varierer fra land til land.Når et produkt sendes til en autoriseret RYOBI-servicepartner, skal produktet indpakkes sikkert uden farligt indhold (for nærmere oplysninger henvises til sikkerhedsinstruktionerne på hjemmesiden – <https://www.ryobitools.eu/>), mærkes med afsendernes adresse og ledsages af en kort beskrivelse af defekten. Bemærk venligst, at i nogle lande skal leveringsomkostninger eller porto betales af afsenderen i henhold til lokal praksis. Kontakt dit lokale autoriserede RYOBI-servicecenter for at få oplyst, om sådanne gebyrer er gældende.
- Ved modtagelse af produktet, der hævdes at være defekt af forbrugeren, vil det blive inspiceret. Når fejlen er blevet bekræftet, vil garantisejlsene blive leveret gennem reparation af produktets defekte dele eller gennem udfixning af dem med ikke-defekte dele efter TTIs skøn. Hvis TTI afviser at reparere defekten, eller hvis reparationen efter TTIs skøn er mislykket, leveres en tilsvarende erstatning (Udte defekte produkt(er) eller dele forbliver TTIs ejendom. Alle reparationer/udfiksninger i henhold til ovenstående garantier er gratis. Den eller de reparation(er)/udfiksning(er), som TTI foretager, udgør ikke en forlængelse eller en ny start på garantierne. De udfixtede reparationer er underlagt de oprindelige afgiftvaregaranti, og garantiperioden sluttes med den periode for garantier, der oprindeligt blev givet for hele produktet.
- RYOBI-garantierne ydes af Technrich Industries GmbH, Max-Eyth-Str. 10, 71364 Winnenden, Tyskland, kun til den forbruger, der oprindeligt købte produktet, og kan ikke overdrages eller tildeles.
- Garantierne gælder i det europæiske økonomiske område (EØS), Schweiz og Storbritannien. Uden for disse områder skal du kontakte den forhandler, hvor købet blev foretaget, for at finde ud af, om der gælder en anden frivillig garanti.

AUTORISERET SERVICECENTER

Enhver anmodning eller problem angående produktet kan adresseres til dine lokale autoriserede servicecentre (gå ind på www.ryobitools.eu/) eller direkte til: Technrich Industries GmbH, Max Eyth Straße 10, 71364 Winnenden, Germany. Angiv serienummer og produkttype, der er trykt på etiketten.

SV VILLKOR FÖR TILLÄMPNING AV GARANTI FRÅN RYOBI

Utöver alla lagstadgade rättigheter som följer av köpet av en produkt och utan att det påverkar de lagstadgade rättigheter som gäller oberoende och kostnadsfritt, omfattas alla av ert köp och träddrägsverktyg av märket RYOBI som anges på vår webbplats, exklusivt verktygs tillbehör, förvaringssystem för verktyg och reservdelar, som beskrivs ytterligare under "Produkt", av en frivillig garanti som utfärdas av Techtronic Industries GmbH ("TTI") enligt de villkor som anges nedan ("garanti").

Garantin gäller endast för köpare som köper produkterna som slutanvändare i egenskap av konsumenter ("konsument"). Återförsäljare, utnyttningssällskap och yrkesmässiga slutanvändare är uttryckligen undantagna från dessa allmänna villkor och bestämmelser i garantin. För yrkesmässiga slutanvändare kan en annan typ av frivillig garanti gälla för vissa produkter, om detta uttryckligen anges på webbplatsen www.ryobitools.eu. Återkopandet av den här frivilliga garantin begränsar inte konsumentens lagstadgade rättigheter i händelse av en defekt.

1. Standardgarantin ("standardgaranti"), försatt att produktens endast köps för privat bruk, gäller i 24 månader ("perioden för standardgaranti") och börjar gälla det datum då produkten köpts. Detta datum måste dokumenteras med en faktura eller annat inköpsbevis för att standardgarantin ska vara giltig och verkställbar. Den här standardgarantin gäller endast för nya produkter.

2. Konsumenterna i vissa länder kan utöka standardgarantin för berättigade produkter utöver perioden för standardgarantin genom att registrera sig på webbplatsen www.ryobitools.eu. Huruvida produkten omfattas av den utökade garantin ("utökad garanti") anges på produktens förpackning, på webbplatsen www.ryobitools.eu eller i den relevanta produktinformationen på <https://www.ryobitools.eu>. Konsumenterna måste registrera sina produkter online inom 30 kalenderdagar från inköpsdatumet för att kunna dra nytta av den här utökade garantin. All personlig information om en konsument behandlas i enlighet med sekretesspolicyen som finns här <https://uk.ryobitools.eu/footer-link/privacy-policy/>. Kvittot på registreringsbekräftelsen, som skickas ut via e-post, och originalfakturan som visar inköpsdatum, fungerar som bevis på den utökade garantin.

3. Standardgarantin och den utökade garantin ("garantierna") är begränsade till reparation eller utbyte av den defekta produkten enligt TTIs godkännande, förutsatt att defekten i utförande eller material finns vid inköpsdatumet. Inga ytterligare kostnader eller förluster kan åberopas. Dessutom gäller inte garantierna för

- skador som orsakats av misstag, avsiktligt eller vårdslöshet av konsumenten
- skador på produkten som beror på felaktig behandling eller bristande underhåll
- en produkt som har ändrats eller modifierats
- en produkt där ursprungliga märkningar (varumärke eller serienummer) har försvannats, ändrats eller tagits bort
- skador som orsakats av att handboken inte har följts
- produkter som inte omfattas av en CE/UKCA-märkning
- en produkt som har försöksrepareras av ett ike-akrutoriserat servicecenter eller utan föregående godkännande av TTI
- en produkt som anslutits till felaktig strömförsörjning (ampere, spänning eller frekvens)
- en produkt som använts med felaktig bränsleändring (bränsle, olja eller oljeförhållande)
- skador som orsakats av yttre påverkan (vatten, kemikalier, fysiska stötar eller elstöt) eller främmande ämnen
- normalt slitage på reservdelar
- felaktig användning eller överbelastning av produkten
- användning av ike-godkända tillbehör eller delar
- tillbehör till elverktyg som medföljer verktyget eller köps separat, sådana undantag inkluderar, men är inte begränsade till, skruvbit, borrkornor, slipskivor, slipsperor och -blad och sidostyrning
- komponenter (delar och tillbehör) som utsläts för normalt slitage, inklusive men inte begränsat till service- och underhållsdelar, kolborstar, låger, chuck, monterer eller fäthöjning för SDS-borrkornor, strömkabel, extra handtag, transportväska, sliplatta, dampmåsa, dammsugningsrör, filterbrick, stift och fjädrar till muttrar, anslagningsknappar, drivremmar, koppling, blad till häcksaxar eller gräsklippare, sele, gasväjare, pinnar, filterbrick, kopplingspinnar, blåsfäktar, blås- och sugrör, uppsamlingspåse och remmar, svärd, sägkedor, slangar, anslutningsdon, sprutmunstycken, hjul, sprutor, inre rullar, yttre spolar, skärinor, tandstift, luftfilter, gasfilter, strömlingsknivar osv.

4. För garantisevne måste produkten skickas till eller uppvisas för, utan dröjsmål efter att defekten i utförande eller material har upptäckts, en akutoriserad RYOBI-servicepartner som anges på följande webbplats <https://www.ryobitools.eu>. Konsumenterna kan erbjuda tjänsterna enligt garantierna från en RYOBI-servicepartner genom att

- a. kontakta återförsäljaren där köpet gjordes eller
- b. registrera sig via serviceplattformen som är tillgänglig på RYOBI Commercial-webbplatsen <https://www.ryobitools.eu>, tillgången till förändradet kan variera från land till land.

När du skickar en produkt till en akutoriserad RYOBI-servicepartner ska produkten vara säkert förpackad utan förslut innehåll (mer information finns i säkerhetsanvisningarna på <https://www.ryobitools.eu>). Mått av avsändarens adress och medföljas av en kort beskrivning av defekten. Observera att i vissa länder måste fraktkostnader eller porto betalas av avsändaren i enlighet med lokal praxis. Kontakta ditt lokala akutoriserade RYOBI-servicecenter för att bekäfta om sådana avgifter gäller.

5. Efter mottagandet av den produkt som konsumenten hävdar är defekt kommer den att inspekteras. När defekten har bekräftats tillhandahålls tjänsterna enligt garantierna genom reparation av defekta delar i produkterna eller genom utbyte av dem med ike-defekta delar eller TTIs godkännande. Om TTI vägrar att reparera defekten eller om reparationen, enligt TTIs godkännande, misslyckas tillhandahålls en motsvarande ersättningsprodukt. De utbytta produkterna eller delarna blir TTIs egendom. Alla reparationer eller utbyten som omfattas av ovanstående garanti är kostnadsfria. Reparationer eller utbyten som utförs av TTI utgör inte en förklaring eller en ny start av garantierna. De utbytta reservdelarna omfattas av de garantierna som ursprungligen gavs och perioden för garantierna avslutas med perioden som ursprungligen gavs för hela produkten.

6. RYOBI-garantierna beviljas av Techtronic Industries GmbH, Max-Eyth-Str. 10, 71364 Winnenden, Tyskland, endast till den konsument som ursprungligen köpte produkten och får inte överföras eller överlåtas.

7. Garantierna gäller inom Europeiska ekonomiska samarbetsområdet (EES), Schweiz och Storbritannien. Utanför dessa områden kontaktar du återförsäljaren där köpet gjordes för att ta reda på om någon annan frivillig garanti gäller.

AUKTORISERAT SERVICECENTER

Vår begäran eller problem avseende produkten kan adresseras till ditt lokala akutoriserade servicecenter (besök www.ryobitools.eu) eller direkt till: Techtronic Industries GmbH, Max-Eyth-Str. 10, 71364 Winnenden, Germany. Ange serienummer och produkttypen som anges på etкетten.

FI RYOBI-TAKUUN EHDOT

Kaikkien tuotteen ostamisesta kohtuvin erillisten ja maksuttomien lakisääteiden oikeuksien lisäksi ja niiden rajoittamatta kaikki verkkosivustomme luetteluun edull. RYOBI-merkkien sähkötyökalut jätai puutarhayökalut, jäljempänä ("Tuote"), lukuun ottamatta jokaisen lisävarusteita, yksittäisen sähkötyökalun ja varaosia, ovat Techtronic Industries GmbH:n (TTI) antaman vapaaehtoisuuden takuun piirissä alla ilmoitetujen ehtojen mukaisesti ("Takuu").

Takuu koskee ainoastaan niitä ostajia, jotka ostavat tuotteita kuluttajien asemassa olevina lopputarkkijoina ("Kuluttaja"). Jällemyyjä, vuokrausyritys ja ammattimaiset lopputarkkijät ovat nimenomaisesti jätetty takuun soveltamislain ulkopuolelle. Ammattimaisia lopputarkkijaita saatua koskeva toisentyypinen vapaaehtoinen takuu laiteille tuotelle, jos sitä on nimenomaisesti ilmoitettu osittoisessa <https://www.ryobitools.eu>. Tämän vapaaehtoisuuden takueen voimaantuloon ei rajoita kuluttajan lakisääteisiä oikeuksia vitakappauksissa.

1. Perustakuu ("Perustakuu") edellyttää, että tuote ostetaan ainoastaan yksityiskäyttöön, ja kattaa 24 kuukauden takuun ("Perustakuun voimassaoloaika") alkaen tuote ostopäivästä. Perustakuun voimassaolo ja käytönäönoponkelpoisuus edellyttää, että kysyneen pääamäärää käy ilmi laskusta tai muusta ostodokumentista. Lisäksi tämä perustakuu koskee ainoastaan uusia tuotteita.

2. Tietyissä maissa olevilla kuluttajilla on oia mahdollisuus laajentaa perustakuuseen oikeutettujen tuotteiden takuukaikaa rekisteröitymällä osittoisessa www.ryobitools.eu. Tuotteen oikeus laajennettua takuuseen ("Laajennettu takuu") on määritelty tuotteen pakkauskassa, verkossa osittoisessa <https://www.ryobitools.eu/ja/> tai olemissa tuotteiden asiakirjoissa osittoisessa <https://www.ryobitools.eu>. Kuluttajien on rekisteröitävä tuotteen verkossa 30 kalenteripäivän kuluessa ostopäivästä, jotta he voivat hyödyntää laajennettua takuun. Kaikkia kuluttajien henkilötietoja käsitellään seuraavassa osittoisessa siltajsen tietosuojalauseen mukaisesti: <https://uk.ryobitools.eu/footer-link/privacy-policy/>. Sähköpostiosoitte lähetettyä vahvistus rekisteröinnistä ja alkuperäisen lasku, jossa ostopäivä on näkyvässä, toimivat todisteina laajennetusta takuusta.

3. Perustakuu ja laajennettu takuu ("Takuu") rajoittuvat välisen tuotteen korjaamiseen jätai vaihtamiseen TTI:n päätoimikunta ja edellyttävät, että valmistus- tai materiaavika on ollut tuotessa ostohetkellä. Muita kustannuksia tai menetyksiä koskeva vastuu ei voi esittää. Myöskin seuraavat eivät kuulu takuiden piiriin:

- Kuluttajan vahingossa tai tahallisesti aiheuttamat tai kuluttajan huolimattomuudesta aiheutuvat vahingot
- Kaikki tuotteen vihenneissä käsitellyt tai huollon tuotteesta aiheutuvat vahingot
- Kaikki tuotteet, jotka on muunneltu tai muutettu
- Kaikki tuotteet, joiden alkuperäiset tunnusmerkinnät (tavaramerkki, sarjanumero) on peitetty tai poistettu tai niitä on muunneltu
- Kaikki käyttöoppaan noudattamatta jättämisestä aiheutuneet vahingot
- Tuotteet, joissa ei ole CE-/UKCA-merkintää
- Kaikki tuotteet, jotka on yrittänyt korjata/vaihtaa valtuuttamattomalla taholla tai ilman TTI:n etukäteisen antamaa lupaa
- Kaikki tuotteet, jotka on kytketty vääränlaiseseen virtalähteeseen (virta, jännite, taajuus)
- Kaikki tuotteet, joissa on käytetty vääränlaisia polttoaineseosia (polttoaine, öljy, öljyn seosuhde)
- Kaikki ukoisten tekijät (vesi, kemikaalit, fyysiset tekijät, isku) tai vierasainien aiheuttamat vahingot
- Varaosien normaali kuluminen
- Vihreellinen käyttö, tuotteiden ylikuumuus
- Muiden kuin hyväksytyjen lisävarusteiden tai osien käyttö
- Sähkötyökalun mukana toimitettu tai erikseen ostettu lisävarusteet. Tällaisia poikkeuksia ovat muun muassa ruuvauskätkit, poranterät, hiomakalut, hiomaperjät ja terät sekä sivuohjat
- Komponentit (osat ja lisävarusteet), jotka kuluvat normaalissa käytössä, mukaan lukien mutta niinh rajoittumatta huolto- ja kunnossapitosarjat, hiiliräjät, laekent, istukka, SDS-poranterien kinnitysoita tai vastake, virtajohto, liitoskaaba, kuljetuslaakua, hiomaväylä, pölypuski, pölynsuodattimet, huopaväliesteet, iskevien ruuviväänninten tapit ja juuset, syöttöputki, vetohihnat, kytkin, pensaskelkureiden tai ruuhokelkureiden terät, valjat, kaasuväijät, piikit, sokkapatit, puhallimet, puhallus- ja imuputket, keräyspussi ja hinnat, terälevyt, teräketjut, leikat, liittimet, sähkösuojat, polttoainesuodattimet, pyörät, silkkutusvarret, säisäket, ukoileket, leikkusivut, syytytysputat, imansuodattimet, polttoainesuodattimet, silppimästerät, jne.

4. Takuuhuoltoa varten tuotteet on valmistus- tai materiaalivirheen ilmenemisen tai huomaamisen jälkeen viipymättä lähetettävä tai tuotava pakkaan päälle johonkin seuraavalla verkkosivulla luetteluihin valtuutettujen RYOBI-huoltokomppaniiden toimipisteeseen: <https://www.ryobitools.eu>. Kuluttajat voivat saada takuun alla olevia palveluita RYOBI-huoltokomppania seuraavilla tavoilla:

- a. Ottamalla yhteyttä jällemyyjään, jolla on takuun ostettu
- b. Rekisteröitymällä RYOBI:n kaupallisella verkkosivulla <https://www.ryobitools.eu> olevaan huoltopalveluun. Menettelyn saatavuus saattaa vaihdella maittäin.

Kun tuotetta lähetetään valtuutetulle RYOBI-huoltokomppanille, se on pakattava turvallisesti ilman vaarallista sisältöä (katso lisätietoja verkkosivustollasi <https://www.ryobitools.eu> olevissa turvallisuusohjeissa) ja siihen on merkittävä lähetäjän osoite ja kuluvas vuasta. Ota huomioon, että joskin maksimissaan lähetetään on paikallisen käytännön mukaisesti kahdeksan viikokautsukuun tai postmaksu. Kysy paikallisesta valtuutetusta RYOBI-huoltoilikeestä, välittäjistä tällaisia maksuja.

5. Kuluttajan valitessa ilmoittama tuote tarkastetaan sen saavuttua toimipisteeseen. Kun vika on varmistettu, takuiden alaiset palvelut toteutetaan TTI:n harkinnan mukaan joko korjaamalla tuotteiden vialliset osat vaihtamalla ne uusin. Jos TTI ei hyväksy vian korjaamista tai jos TTI katsoo, että korjaus on epäonnistunut, kuluttajalle toimitetaan vastaava korvaava tuote. Korvattavat tuotteet tai osat siirytävät TTI:n omistukseen. Kaikki edellä mainitut takuiden alaiset korjaukset/vahdot ovat maksuttomia. TTI:n toimeenpanemat korjaukset/vahdot eivät pidennä takuiden voimassaoloaika ja alotta alissa. Valituiden varaosat ovat alkuperäisten takuiden alaisia, ja niiden takuiden voimassaoloaika päättyy silloin, kun koko tuotelle myönnetty alkuperäisen takuun voimassaoloaika päättyy.

6. RYOBI-takuu myöntää Techtronic Industries GmbH, Max-Eyth-Str. 10, 71364 Winnenden, Saksaa, ainoastaan tuotteen alun perin ostaneelle kuluttajalle. Takuita ei voi siirtää tai määrätä toiselle taholle.

7. Takuut ovat voimassa Euroopan talousalueella (ETA), Sveitsissä ja Yhdistyneessä kuningaskunnassa. Näiden alueiden ulkopuolella voit ottaa yhteyttä jällemyyjään, jolta tuote on ostettu, ja selvittää, onko osallasi voimassa jokin toinen vapaaehtoinen takuu.

VALTUUTETTU HUOLTOLIIKE

Kaikki tuotteen liittyvät pyynnöt tai kysymykset voidaan osoittaa paikallisille valtuutetuille huoltoilikeille (katso www.ryobitools.eu) tai suoraan osittoiseseen: Techtronic Industries GmbH, Max-Eyth-Str. 10, 71364 Winnenden, Germany. Ilmoita luoitan painettu sarjanumero ja huoltotyyppi.

NO GARANTIBETINGELSER FOR RYOBI

I tillegg til eventuelle løbste bestemte rettigheter som følge av kjøpet av dette produktet og uten tap av de løbste bestemte rettighetene som følger uavhengig og uten kostnad, dekkes alle nye RYOBI-elektrokverky og/eller -høgeverky som er oppgitt på nettsiden vår, med unntak av verktylbyehver, oppbevaringssystemer for verktyg og reservedeler, som angitt under («Produkts»), av en frillig garanti angitt av Techtronic Industries GmbH («TTI») som er underlagt vilkårene og betingelsene angitt nedenfor («Garanti»).

Garantien gjelder kun for kjøpere som kjøper produktet som sluttbrukere, og som kan regnes som forbrukere («Forbruker»). Detaljhandlere, uleiefirmaer og profesjonelle sluttbrukere er uttrykkelig unntatt fra disse generelle vilkårene og betingelsene for garantien. For profesjonelle sluttbrukere kan en annen type frillig garanti omfatte visse produkter dersom det er tydelig angitt på nettsiden www.ryobitools.eu. Påberøpelsen av denne frillige garantien begrenser ikke de løbste bestemte rettighetene til forbrukeren hvis det er en feil med produktet.

1. Standardgarantien («Standardgaranti»), safest produktet kun for kjøper for privat bruk, har en gyldighetsperiode på 24 måneder («Periode for standardgaranti») og starter den datoen produktet kjøpes. Denne datoen må dokumenteres med faktura eller annet kjøpsbevis for et standardgaranti produkt skal være gyldig og tvangskräft. Denne standardgarantien gjelder kun for nye produkter.

2. Det kan være mulig for forbrukere i visse land å forene standardgarantien for kvalifiserte produkter utover perioden for standardgarantien ved å registrere dem på nettsiden www.ryobitools.eu. Dersom produktet er kvalifisert for den forenede garantien («Forenelt garanti»), angis dette på emballasjen til produktet, på nettsiden www.ryobitools.eu og/eller i den relevante produktinformasjonen under <https://www.ryobitools.eu>. For å kunne dra nytte av den forenede garantien må forbrukere registrere produktet på nett innen 30 kalenderdager fra kjøpsdatoen. Alle personopplysningene til forbrukere behandles i henhold til personvernlovgivningen, som du finner her: <https://uk.ryobitools.eu/author-links/privacy-policy/>. Kvitningen for bekreftet registrering, som sendes på e-post, og den opprinnelige fakturaen som viser kjøpsdatoen, fungerer som bevis for den forenede garantien.

3. Standardgarantien og den forenede garantien («Garantier») er begrenset til reparasjon og/eller erstatning av det defekte produktet eller TTIs skjenk, safest fabrikasjonsfeilen eller materialfeilen eksisterte på kjøpsdatoen. Ingen ytterligere kostnader eller tap dekkes. I tillegg gjelder garantiene ikke for

- eventuelle skader forårsaket med eller uten hensikt, eller på grunn av uaktsomhet fra forbrukerens side
- eventuelle skader på produktet som følge av feilaktig händtering eller mangel på vedlikehold
- ethvert produkt som har blitt endret eller modifisert
- ethvert produkt der opprinnelig identifikasjonsmerking (varemärke, serienummer) har blitt ødelagt, endret eller fjernet
- eventuelle skader som følge av å bruke håndboken ikke er fulgt
- produkter som ikke er underlagt CE/UKCA-merking
- ethvert produkt som er forsøkt reparert av et uautorisert servicесenter eller uten autorisasjon fra TTI på forhånd
- ethvert produkt som har blitt koblet til feil strömforing (ampere, spenning, frekvens)
- ethvert produkt som er brukt med feil drivstoffblandning (drivstoff, olje, oljeforhold)
- eventuell skade som følge av eksterne påvirkninger (vann, kjemisk eller fysisk påvirkning, støt) eller forårsaket av fremmedlegemer
- normal situasjon på reservedeler
- feilaktig bruk, overbelastning av produktet
- bruk av tilbehør eller deler som ikke er godkjent
- medfølgende tilbehør for elektrokverkyet eller tilbehør kjøpt separat (Disse unntakene inkluderer, men er ikke begrenset til, skrutrekkerbit, drillbit, slipeskiver, slippeapparat og -blader og sideskinner.)
- komponenter (deler og tilbehør) som utsettes for normal situasjon, inkludert, men ikke begrenset til, service- og vedlikeholdssett, kullbøster, lagre, chuck, tilløp for SDS-drillbit eller -boltak, strømledning, ekstrahåndtak, bæreskive, støvpose, utløpsrør for støv, filterkviser, mottak og fjærer for muttertrekkere, bukketter, drivreimer, clutch, blader for heksaksaker eller gresskjespær, seler, kableskjold, tnder, låsebolter, vinner for blåsere, rør for blåsere og sugere, sugerposer og -strop, strøpspinner, sagkjeder, slanger, koblingslester, spraymunnstykker, jvler, spraystenger, indre spoler, ytre spoler, trimmetråder, tennerplugg, luftfilter, gassfilter, mülchingkniver osv.

4. For garantiservice må produktet innlemt til etter at hendelsen oppstod eller fabrikasjonsfeilen eller materialfeilen er oppdaget, sendes til eller fremlegges for en autorisert RYOBI-servicесenter som er oppgitt på følgende nettside: <https://www.ryobitools.eu/>. Forbrukere kan få garantiservice fra en RYOBI-servicесenter ved å

- a. kontakte detaljhandleren som produktet ble kjøpt fra, eller
 - b. registrere produktet via serviceplattformen som er tilgjengelig på RYOBI Commercial-nettsiden <https://www.ryobitools.eu/>. Tilgjengeligheten til prosessen kan variere fra land til land.
- Når et produkt skal sendes til en autorisert RYOBI-servicесenter, må produktet pakkes forsvarlig uten farlig innhold (for mer informasjon kan du se sikkerhetsinstruksjonene på nettsiden <https://www.ryobitools.eu/>), og pakken må merkes med avsenders adresse samt imøetale en kort beskrivelse av feilen. Merk at leveringskostnader eller porto i noen land må betales av avsender i henhold til lokale rettsligginger. Ta kontakt med ditt lokale autoriserte RYOBI-servicесenter for å finne ut om slike avgifter gjelder for deg.

5. Produktet som forbrukeren mener er defekt, kontrolleres ved mottak. Når feilen er bekreftet, leveres tilstjeneste under garantien gjennom reparasjon av de defekte delene av produktet eller ved å skifte dem ut med fungerende deler eller TTIs skjenk. Hvis TTI velger å ikke reparere feilen, eller hvis reparasjonen ikke var vellykket, eller TTIs skjenk, leveres en tilsvarende erstatning. De erstatte produktene eller delene blir TTIs eiendom. Enhver reparasjon/erstatning over de ovennevnte garantiene er gratis. Reparasjon/erstatningen utført av TTI innebærer ikke en forenligelse av garantiene eller en ny start på garantiperioden. De erstatte reservedelene er underlagt garantiene som opprinnelig ble gitt, og perioden for garantiene utløper i samsvar med garantiperioden som opprinnelig ble gitt for hele produktet.

6. Garantene fra RYOBI gjr av Techtronic Industries GmbH, Max-Eyth-Str.10, 71364 Winnenden, Tyskland, og de gjelder kun for forbrukere som opprinnelig kjøper dem. De kan ikke overføres eller tildeles.

7. Garantene er gyldige i Det europeiske økonomiske samarbeidsområdet (EØS), Sveits og Storbritannia. Dersom du ikke befinner deg innenfor disse områdene, kan du kontakte detaljhandleren der kjøpet ble gjort, for å finne ut om en annen frillig garanti gjelder.

AUTORISERT SERVICESENTER

Enhver forespørsel eller problem med produktet kan henvises til de lokale autoriserte servicесentrene (se www.ryobitools.eu) eller direkte til: Techtronic Industries GmbH, Max-Eyth-Str.10, 71364 Winnenden, Germany. Angi serienummer og produkttypen som er trykket på etiketten.

RU УСЛОВИЯ ДЕЙСТВИЯ ГАРАНТИИ НА ПРОДУКЦИЮ RYOBI

В дополнение к любым законным правам, возникающим в результате покупки изделия, и без ущерба для законных прав, которые предоставляются отдельно и на безвозмездной основе, на все новые электроинструменты и/или садовые инструменты под торговой маркой RYOBI, перечисленные на нашем сайте, за исключением принадлежностей для инструментов, систем хранения инструментов и запасных частей, и именуемые далее как «Продукт», действует добровольно предоставляемая компанией Techtronic Industries GmbH (далее – «TTI») гарантия (далее – «Гарантия») в соответствии с условиями и положениями, указанными ниже.

Гарантия распространяется только на инструменты, которые приобретают покупатели и являются их конечными пользователями (далее – «Популятели»). Дилерские центры, компании по аренде техники, а также профессиональные конечные пользователи в любой форме исключаются из настоящего общего положения и условий Гарантии. Для профессиональных конечных пользователей на определенные продукты могут распространяться добровольно предоставляемая гарантия другого типа, если это явно указано на сайте www.ryobitools.eu. Ограничения настоящей добровольно предоставляемой Гарантии не являются на законные права Популятеля в случае наличия дефекта.

1. Период действия Стандартной гарантии (далее – «Стандартная гарантия»), при условии что Продукт приобретается только для частного использования, составляет 24 месяца (далее – «Стандартный гарантийный период») и начинается с даты приобретения Продукта. Чтобы Стандартная гарантия была действительна и иметь законную силу, эта дата должна быть документально подтверждена чеком или иным документом, подтверждающим факт покупки. Настоящая Стандартная гарантия распространяется только на новые Продукты.

2. В некоторых странах Популятели могут продлить Стандартную гарантию на определенные Продукты после истечения срока действия Стандартной гарантии путем регистрации на сайте www.ryobitools.eu. Право на получение Расширенной гарантии (далее – «Расширенная гарантия») указано на упаковке Продукта, на сайте www.ryobitools.eu или в сопутствующей литературе. Продукт должен быть доступен на сайте <https://www.ryobitools.eu>. Чтобы получить Расширенную гарантию, Популятели должны зарегистрировать своего Продукта онлайн в течение 30 календарных дней с даты покупки. Все персональные данные Популятеля будут обрабатываться в соответствии с положением о конфиденциальности, которое доступно по адресу <https://uk.ryobitools.eu/author-links/privacy-policy/>. Подтверждение регистрации, полученное по электронной почте, и оригинал чека с датой покупки будут служить подтверждением Расширенной гарантии.

3. Обязательства по Стандартной и Расширенной гарантии (далее – «Гарантии») ограничиваются ремонтом или заменой дефектного Продукта по усмотрению компании TTI при условии, что производственный дефект или дефект материалов существовал на момент покупки. Рекламации на возмещение дополнительных расходов или убытков не принимаются. Кроме того, Гарантии не покрывают следующие:

- любой ущерб, причиненный случайно, намеренно или по неосторожности покупателем
- любое повреждение Продукта в результате неправильного использования или недостаточного технического обслуживания
- любой Продукт, подверженный изменению или модификации
- любой Продукт, измененные идентификационные элементы (торговая марка, серийный номер) которого были повреждены, повреждены или удалены
- любые повреждения, возникшие по причине несоблюдения инструкций по эксплуатации
- Продукты, которые не сертифицированы CE/UKCA
- любой Продукт, попытка провести ремонт которого была выполнена в неавторизованном сервисном центре или без предварительного разрешения компании TTI
- любой Продукт, подключенный к неподходящему источнику питания (несоответствие типа тока, напряжения, частоты)
- любой Продукт, в котором использовалась неподходящая топливная смесь (неподходящее топливо, масло или неправильное соотношение топлива и масла)
- любые повреждения, вызванные внешними воздействиями (вода, химические вещества, физические факторы, удары) или посторонними веществами
- естественный износ запасных частей
- неправильное использование, перезузка Продукта(ов)
- использование неободренных принадлежностей или неоригинальных запасных частей
- принадлежности для электроинструмента, входящие в комплект поставки инструмента или приобретенные отдельно. К таким исключениям относятся, помимо прочего, биты для отвертки, сверла, абразивные диски, наждачная бумага и ножи, боковая направляющая
- компоненты (запасные части и принадлежности), подверженные естественному износу, включая, помимо прочего, комплекты для обслуживания, угольные щетки, подшипники, патрон, крепление или гнездо сверла SDS, шурт питания, долбежные рукоятки, ящики или сумки для транспортировки, шпильчатую ленту, мешок для сбора пыли, трубу отвода пыли, войлочные щетки, шпатель и щетки ударного гайковерта, ударные шурупы, приводные ремни, муфты, лезвия ножики для живой кордоны или ножи газонокосилок, оносту, дроссельный регулятор с тросом, граблины, палцы садовой устроства, вентиляторы воздуходува, нагнетательные и вакуумные трубы, вакуумный мешок и штани, пыльные щетки, чашки, шланги, соединительные элементы, насадки для распыления, колеса, штани-распылители, внутренние катушки, внешние шурупы, режущие корды, свечи зажигания, воздушные фильтры, газовые фильтры, ножи для мюльчирования и т. д.

4. Для гарантийного обслуживания Продукт(ы) должны быть отравлены или приняны без неоправданной задержки после возникновения или подтверждения производственного дефекта или дефекта материалов одному из авторизованных партнеров по техническому обслуживанию компании RYOBI, указанных на сайте <https://www.ryobitools.eu/>. Популятели могут получить обслуживание по Гарантии у партнера по техническому обслуживанию RYOBI следующим образом:

- a. путем обращения в дилерский центр, где была совершена покупка; или
- b. путем регистрации на сервисной платформе, доступной на коммерческом сайте RYOBI <https://www.ryobitools.eu/> (доступность сервиса может отличаться в зависимости от страны).

При отраве изделия авторизованному партнеру по техническому обслуживанию компании RYOBI изделие должно быть надлежащим образом использовано с использованием опасных материалов (подборные см. инструкции по технике безопасности на сайте <https://www.ryobitools.eu/>), с указанием адреса отправителя и краткими описанием дефекта. Обратите внимание, что в некоторых странах в соответствии с местными правилами доставка или почтовые расходы оплачиваются отправителем. Обратитесь в местный авторизованный сервисный центр RYOBI, чтобы уточнить условия оплаты.

5. После получения Продукта, заявленного Популятелем как дефектный, будет проведена его проверка. После подтверждения дефекта по Гарантии будет выполнен ремонт или замена дефектных деталей изделия по усмотрению компании TTI. Если TTI отказывается выполнить ремонт дефекта или по решению компании TTI ремонт не может быть выполнен успешно, будет предоставлена эквивалентная замена. Заменяемые Продукты или детали становятся собственностью TTI. Любые ремонтные работы/замены, предусмотренные условиями вышеуказанных Гарантий, выполняются бесплатно. Ремонт/замена, выполняемые TTI, не дают право на продление или получение новых Гарантий. На заменяемые запасные части распространяются персонально предоставленные Гарантии, и срок действия Гарантии истекает в соответствии с периодом действия первоначально предоставленной Гарантии на весь Продукт.

6. Гарантии RYOBI предоставляются компании Techtronic Industries GmbH, Max-Eyth-Str.10, 71364 Winnenden, Германия, только первому Популятелю Продукта и не могут быть переданы или уступлены другому лицу.

7. Гарантии действуют в странах Европейской экономической зоны (ЕЭЗ), Швейцарии и Великобритании. За пределами этих регионов обратитесь в дилерский центр, где была совершена покупка, чтобы уточнить наличие других добровольно предоставляемых гарантий.

AВТОРИЗОВАННЫЕ СЕРВИСНЫЕ ЦЕНТРЫ

При возникновении проблем с изделием обращайтесь к одним из региональных авторизованных сервисных центров (см. www.ryobitools.eu/) или напрямую: Techtronic Industries GmbH, Max-Eyth-Str.10, 71364 Winnenden, Germany. Укажите серийный номер и тип изделия, указанные на этикетке.

PL WARUNKI STOSOWANIA GWARANCJI RYOBI

Wszystkie nowe elektronarzędzia marki RYOBI i/lub narzędzia ogrodowe wymienione na naszej stronie internetowej, z wyłączeniem akcesoriów narzędziowych, systemów przechowywania narzędzi, części zamiennych, zgodnie z opisem w punkcie „Produkt” są objęte dodatkowo do wszelkich ustawowych praw wynikających z zakupu produktu i bez uszczerbku dla praw ustawowych, które obowiązują niezależnie i bezpłatnie, dobrowolną gwarancją wydaną przez Technonic Industries GmbH („TTI”) z zastrzeżeniem warunków określonych poniżej („Gwarancja”).

Gwarancja ma zastosowanie wyłącznie do nabywców, którzy kupują produkty jako użytkownicy końcowi w charakterze konsumentów („Konsument”). Sprzedawca, detaliczni, wypożyczalnie, a także profesjonaliści użytkownicy końcowi są wyrażnie wyłączeni z niniejszych ogólnych warunków gwarancji. W przypadku profesjonalnych użytkowników końcowych do niektórych produktów może mieć zastosowanie inny rodzaj dobrowolnej gwarancji, o ile zostało to wyraźnie przewidziane na stronie www.ryobitools.eu. Odwołanie się do niniejszej, dobrowolnej Gwarancji nie ogranicza ustawowych praw Konsumenta w przypadku wystąpienia wad.

1. Standardowa gwarancja („Gwarancja standardowa”), pod warunkiem, że Produkt został zakupiony wyłącznie do użytku prywatnego, obowiązuje przez okres 24 miesięcy („Standardowy okres gwarancji”) i rozpoczyna się w dniu zakupu produktu. Data ta musi być udokumentowana fakturą lub innym dowodem zakupu, aby standardowa gwarancja była ważna i wykonalna. Niniejsza Gwarancja standardowa dotyczy również wyłącznie nowych produktów.

2. Konsument w niektórych krajach może przedłużyć Gwarancję standardową na kwalifikujące się produkty poza jej okres obowiązywania, rejestrując się na stronie www.ryobitools.eu. Możliwość zakwalifikowania produktu do rozszerzonej gwarancji („Gwarancja rozszerzona”) jest określona na opakowaniu produktu, na stronie internetowej www.ryobitools.eu i/lub jest zawarta w odpowiedniej dokumentacji produktu pod adresem <https://www.ryobitools.eu>. Aby możliwe było skorzystanie z Gwarancji rozszerzonej, konsument musi zobowiązać do zarejestrowania swojego produktu (produktów) online w ciągu 30 dni kalendarzowych od daty zakupu. Wszystkie dane osobowe konsumenta będą przetwarzane zgodnie z oświadczeniem o ochronie prywatności, które można znaleźć pod adresem <https://uk.ryobitools.eu/footer-links/privacy-policy/>. Potwierdzenie rejestracji, które jest wysyłane pocztą elektroniczną, oraz oryginalna faktura z daty zakupu, będą stanowić dowód przedłużenia Gwarancji.

3. Gwarancja standardowa i Gwarancja rozszerzona („Gwarancje”) są ograniczone do naprawy i/lub wymiany wadliwego produktu według uznania firmy TTI, pod warunkiem, że wada wykonania lub materiału istniała w dniu zakupu. Nie można składać żadnych dodatkowych roszczeń z tytułu kosztów ani strat. Ponadto gwarancje nie mają zastosowania do:

- wszelkich uszkodzeń spowodowanych przypadkowo, umyślnie lub przez zaniedbanie Konsumenta
- wszelkich uszkodzeń produktu, które są wynikiem niewłaściwego postępowania z produktem lub braku konserwacji
- wszelkich produktów, które zostały zmienione lub zmodyfikowane
- wszelkich produktów, w którym oryginalne oznaczenia identyfikacyjne (znak towarowy, numer seryjny) zostały zniszczone, zmienione lub usunięte
- wszelkich uszkodzeń spowodowanych nieprzestrzeganiem instrukcji obsługi
- produktów, które nie podlegają oznakowaniu CE/UKCA
- wszelkich produktów, który próbowano naprawić przez nieautoryzowane centrum serwisowe lub bez uprzedniej zgody firmy TTI
- wszelkich produktów podlegających do niewłaściwego zasilania (należątnie, napięcie, częstotliwość)
- wszelkich produktów używanych z nieodpowiednią mieszanką paliwa (paliwo, olej, stosunek oleju)
- wszelkich uszkodzeń spowodowanych przez czynniki zewnętrzne (woda, chemikalia, wstrząsy fizyczne) lub substancje obojętne
- normalnego zużycia części zamiennych
- niewłaściwego użycia, przeciążenia produktu
- stosowania niezatwierdzonych akcesoriów lub części
- akcesoriów do elektronarzędzi dostarczanych wraz z narzędziem lub zakupionych oddzielnie. Takie wyłączenia obejmują między innymi: bity wkrętaki, wiertła, tarcze ściernie, papier ścierny i ostrza, prowadnice boczne
- elementy (części i akcesoria), które podlegają normalnemu zużyciu, w tym między innymi zestawy serwisowe i konserwacyjne, szlaczki, węgiel, łożyska, uchwyty, mocowanie lub gniazdo wiertła SDS, narzędzia zasilające, uchwyty pomocnicze, walizka transportowa, pyła szlifierska, worek na kurz, nura odprowadzająca kurz, podkładki filcowe, kolki i sprężyny klucza udarowego, pokrętła, pasy napędowe, sprężko, ostrza noży do żywności lub kosiarzek do trawy, przewy, przestępka kablowa, zęby, sworznie zaczepowe, wentylatory dmuchawy, rury dmuchawy i odkurzaczy, worki i kołki do odkurzacza, prowadnice, łańcuchy do pilarek, przewody elastyczne, złączki, dysze rozpryskające, kła, rozpylacze, bębny wewnętrzne, swarki zewnętrzne, linie tnące, świece zapłonowe, filtry powietrza, filtry gazu, ostrza do młotowca itp.

4. W celu obsługi gwarancyjnej Produkt musi zostać wysłany lub przedstawiony bez zbiegnej wroki po wystąpieniu lub stwierdzeniu wady wykonania lub materiału autoryzowanemu partnerowi serwisowemu RYOBI wymienionemu na poniższej stronie internetowej <https://www.ryobitools.eu>. Konsument może uzyskać usługę na podstawie gwarancji od partnera serwisowego RYOBI poprzez:

- a. kontakt ze sprzedawcą detalicznym, u którego dokonano zakupu; lub
- b. rejestrację za pośrednictwem platformy usługowej dostępnej na stronie internetowej RYOBI Commercial <https://www.ryobitools.eu>, dostępność procesu może różnić się w zależności od kraju.

Przy wysłaniu produktu do autoryzowanego partnera serwisowego RYOBI należy bezpiecznie zapakować produkt bez niebezpiecznej zawartości (szczegółowe informacje można znaleźć w instrukcji bezpieczeństwa na stronie internetowej <https://www.ryobitools.eu>), zaznaczając adres nadawcy i wraz z krótkim opisem wady. Należy pamiętać, że w niektórych krajach koszty wysyłki będą musiały zostać uiszczone przez nadawcę zgodnie z lokalnymi wytykami. Należy skonsultować się z lokalnym autoryzowanym centrum serwisowym firmy RYOBI, aby potwierdzić, czy takie opłaty obowiązują.

5. Po otrzymaniu produktu uznanego przez Konsumenta za wadliwy zostanie on sprawdzony. Po potwierdzeniu wady wynikającej z gwarancji usługi będą świadczone poprzez naprawę wadliwych części produktów lub wymianę ich na części niewadliwe według uznania firmy TTI. Jeśli firma TTI odmówi naprawy usterek lub jeśli według jej uznania naprawa nie powiodła się, zostanie zapewniona równoważna wymiana. Zastąpieniu produkt lub części stana się własnością TTI. Wszelkie naprawy/wymiany w ramach powyższych gwarancji są bezpłatne. Naprawy/wymiany przeprowadzone przez firmę TTI nie stanowią przedłużenia ani nowego początku gwarancji. Wymienne części zamienne podlegają pierwotnie udzielonemu gwarancjom, a okres ich gwarancji zakończy się wraz z okresem gwarancji, która pierwotnie została udzielona na cały produkt.

6. Gwarancje RYOBI udzielane są przez Technonic Industries GmbH, Max-Eyth-Str.10, 71364 Winnenden, Niemcy, wyłączenie Konsumentów, którzy pierwotnie zakupili produkt, i nie mogą być przenoszone ani przekazywane.

7. Gwarancje obowiązują w Europejskich Obszarach Gospodarczych (EOG), Szwajcarii i Wielkiej Brytanii. Poza tymi obszarami należy skontaktować się ze sprzedawcą detalicznym, u którego dokonano zakupu, aby dowiedzieć się, czy obowiązuje inna dobrowolna gwarancja.

AUTORYZOWANE CENTRUM SERWISOWE

Wszelkie zapytania i problemy z produktem można zgłaszać do lokalnych autoryzowanych centrów serwisowych (<http://www.ryobitools.eu>) lub bezpośrednio do: Technonic Industries GmbH, Max Eyth Straße 10, 71364 Winnenden, Germany. Prosimy o podanie wydrukowanego na etykiecie numeru seryjnego oraz typu produktu.

CS PODMÍNKY PLATNOSTI ZÁRUKY SPOLEČNOSTI RYOBI

Kromě jakýchkoli zákonných práv vyplývajících z nákupu výrobku a aniž jsou dotčena zákonná práva, která platí nezávisle a bezplatně, veškeré nové elektrické nářadí značky RYOBI anebo zahradní nářadí uvedené na našich webových stránkách, s výjimkou příslušenství nářadí, nástrojů, systémů pro skladování nářadí a náhradních dílů, jak je dále uvedeno v části („Výrobek”), je kryto dobrovolnou zárukou vydanou společností Technonic Industries GmbH („TTI”), a to za níže uvedených podmínek („záruka”).

Záruka se vztahuje pouze na zakoupený, který nakupující výrobky jako koncoví uživatelé v rámci své spotřebitelské role (dále jen „spotřebitel”). Maloobchodníci, půjčovny a rovněž profesionální koncoví uživatelé jsou z těchto všeobecných podmínek záruky výslovně vyloučeni. V případě profesionálních koncových uživatelů může pro určitě výrobky platit jiný dobrovolný záruka, je-li to výslovně uvedeno na webových stránkách www.ryobitools.eu. Vyvození této dobrovolné záruky neomezuje zákonná práva spotřebitele v případě vady.

1. Standardní záruka (dále jen „standardní záruka”) záruka, je výrobek zakoupen pouze pro soukromé použití, trvá po dobu 24 měsíců (dále jen „standardní záruční lhůta”) a začíná dnem zakoupení výrobku. Toto datum musí být zdokumentováno fakturou nebo jiným dokladem o nákupu, aby byla standardní záruka platná a vymahatelná. Tato standardní záruka se vztahuje pouze na nové výrobky.

2. Spotřebitelé v některých zemích mohou mít možnost prodloužit standardní záruku na způsobilé výrobky ještě za lhůtu standardní záruky, a to registrací na webových stránkách www.ryobitools.eu. Způsoblostí výrobku pro prodloužení záruky („prodloužená záruka”) je uvedena na obalu výrobku, na webových stránkách www.ryobitools.eu anebo je uvedena v příslušné produktové dokumentaci na adrese <https://www.ryobitools.eu>. Aby bylo možné využít výhod prodloužené záruky, musí spotřebitelé zaregistrovat své výrobky online do 30 kalendářních dnů od data nákupu, poté budou moct být vyhořeno této prodloužené záruky. Veškeré osobní údaje spotřebitele budou zpracovány v souladu s prohlášením o ochraně osobních údajů, které naleznete na adře <https://uk.ryobitools.eu/footer-links/privacy-policy/>. Potvrzení registrace, které se zaslá e-mailem, a původní faktura s datem nákupu, budou sloužit jako doklad o prodloužené záruce.

3. Standardní záruka a prodloužená záruka (dále jen „záruky”) jsou omezeny na opravu anebo výměnu vadného materiálu dle uvažení společnosti TTI za předpokladu, že k datu nároku existuje vada zpracování nebo výroby. Nelze uplatnit žádné další náklady ani záruky. Kromě toho se záruky nevztahují na:

- žádné škody způsobené spotřebitelem náhodně, umyślně nebo z nedbalosti
- žádné poškození výrobky způsobené nesprávným zacházením nebo nedostatečnou údržbou
- žádné výrobky, který byl změněn nebo upraven
- žádné výrobky, u kterého došlo k porušení, změně nebo odstranění původního identifikačního označení (ochranná známka, sériové číslo)
- žádné poškození způsobené nedodržáním návodu k použití
- výrobky, které nejsou předmětem označení CE/UKCA
- žádné výrobky, který byl opraven v neautorizovaném servisním středisku nebo bez předchozího souhlasu společnosti TTI
- žádné výrobky připojený k nesprávnému zdroji napájení (ampérý, nádobí, frekvence)
- žádné výrobky používaný s nevhodnou směsí paliva (paliwo, olej, poměr oleje)
- žádné poškození způsobené vnějšími vlivy (voda, působení chemikálií, fyzikální podmínky, nárazy) nebo vzhlednými látkami
- běžné opotřebení a opotřebení náhradních dílů
- nevhodné použití, přetížení výrobky či výrobků
- použití neschváleného příslušenství nebo dílů
- příslušenství k elektrickým nástrojům dodávané s nástrojem nebo zakoupené samostatně. Takové výjimky, zejména šroubovací bity, vrtáky, brusné kotouče, směrňový papír a čepce, součásti podobného vedení
- (díly a příslušenství), které podléhají normálnímu opotřebení, zejména pak servisní a údržbové sady, uhlíkové kartáče, ložiska, sklíčidlo, nástavec nebo uchytí vrtáku SDS, napájecí kabel, pomocná rukojeť, přepravní kufřík, brusná deska, pracovní sáček, odsávací trubice na prach, plstěné podložky, kočky a pružiny pro rázové utahovačky, dorazové křovítky, hnači fénem, spojka, ostré nože na živý plot a nože sečky na trávu, pastorky, spojky kabel, hroty, závěsné kočky, ventilátory fůkací, fůkací a odsávací trubice, sáček vysavače a popruhy, vodiči šlív, pílové frézy, háče, spojovací armatury, rozprašovači trysky, kála, postřikovače trysky, vnitřní čílové vnitřní, vnější čílové, řezací linie, zapalovací svíčky, vzduchové filtry, plynové filtry, mlatovací nože apod.

4. Pro účely záručního servisu musí být výrobky (výrobky) odeslány nebo předloženy bez zbytečného nákladu po příjmu nebo uznání vady zpracování nebo materiálu autorizovanému servisnímu partnerovi společnosti RYOBI uvedenému na následujících webových stránkách <https://www.ryobitools.eu>. Spotřebitelé mohou získat služby v rámci záruk od servisního partnera RYOBI:

- a. kontaktovaním prodejce, u kterého byl nákup uskutečněn; nebo
- b. registrací prostřednictvím servisní platformy dostupné na komerční webové stránce společnosti RYOBI na adrese <https://www.ryobitools.eu>, dostupnost procesu se může v jednotlivých zemích lišit.

Při odeslání výrobku autorizovanému servisnímu partnerovi společnosti RYOBI musí být výrobek bezpečně zabalen a bez nebezpečného obsahu (podrobnosti naleznete v bezpečnostních pokynech na webových stránkách <https://www.ryobitools.eu>), označen adresou odesílatele a doplněn krátkým popisem vady. Vezměte prosím na vědomí, že v některých zemích bude muset odesílatel úhradit poplatky za doručení nebo poštovné v souladu s místními právy. Informace o tom, zda jsou tyto poplatky účtovány, vám poskytne místní autorizovaný servisní středisko společnosti RYOBI.

5. Po obdržení výrobku, který je dle spotřebitele vadný, bude výrobek zkontrolován. Když se závada potvrdí, budou poskytnuty služby dle ustanovení záruky ve formě opravy vadných dílů výrobku nebo jejich výměny za bezvadné díly, a to dle uvažení společnosti TTI. Pokud společnost TTI odmítně závadu opravit nebo pokud se oprava podle ustanovení společnosti TTI nezdaří, bude dodána ekvivalentní náhrada. Nahrazené výrobky nebo díly se stanou vlastnictvím společnosti TTI. Veškeré opravy nebo výměny podle výše uvedených záruk jsou zdarma. Opravy nebo výměny provedené společností TTI nezakládají nárok na prodloužení ani na nový záruční záruka. Vyměněné náhradní díly podléhají původně uvedeným zárukám a záruční lhůta těchto záruk skončí lhůtu záruky, která byla původně poskytnuta na celý výrobek.

6. Záruky společnosti RYOBI uděluje společnost Technonic Industries GmbH, Max-Eyth-Str.10, 71364 Winnenden, Německo, pouze spotřebitelé, který výrobek původně zakoupil – výrobek nesmí být převeden ani postoupen.

7. Záruky jsou platné v Evropském hospodářském prostoru (EHP), Švýcarsku a Velké Británii. Mimo tyto oblasti se obrátte na prodejce, u kterého se uskutečnil nákup, a zjistěte, zda se na výrobek nevztahuje jiná dobrovolná záruka.

AUTORIZOVANÉ SERVISNÍ STŘEDISKO

S požadavky nebo problémy týkajícími se tohoto výrobku se můžete obrátit na místní pověřená servisní střediska (<http://www.ryobitools.eu>) nebo přímo na: Technonic Industries GmbH, Max Eyth Straße 10, 71364 Winnenden, Germany. Uvedte výrobní číslo a druh výrobku ze štítku.

HU RYOBI GARANCIA ALKALMAZÁSI FELTÉTELEI

A termék megvásárlásából eredő törvényes jogokon túlmenően és a törvényes jogok sérelme nélkül – amelyek függetlenül és térféltetésen érvényesek –, a weboldalon felsorolt minden új RYOBI márkájú elektromos szerszám ésvagy kerti szerszám, kivéve a részszámtartozékokat, szerszámátöltő rendszereket és pótalkatrészeket a továbbiakban „Termék” pontban) meghatározottak szerint, a Technicon Industries GmbH („TTI”) által az alábbiakban meghatározott feltételek mellett kiadott önkéntes garancia („Garancia”) vonatkozik. A garancia kizárólag a termék végfelhasználóként, fogyasztóként („Fogyasztó”) megvásárolt vevő(kre) vonatkozik. A kiskereskedő, a kölcsönző cégek, valamint a professzionális végfelhasználók kifejezetten ki vannak zárva a termék ezen általános feltételei alól. A professzionális végfelhasználók számára bizonyos termék(ek)re más típusú önkéntes garancia vonatkozik, amelyben azt a www.ryobitools.eu weboldalon kifejezetten fel van tüntetve. Az önkéntes garancia igénybevétele nem korlátozza a Fogyasztó törvényes jogait meghibásodás esetén.

- A standard garancia („Standard garancia”), feltéve, hogy a termék kizárólag magánolnára vásárolják meg, 24 hónapos időtartamú („Standard garanciaószk”), és a termék megvásárlásának napján kezdődik. Ezt az időpontot számlával vagy egyéb, vásárlást igazoló dokumentummal kell dokumentálni ahhoz, hogy a Standard garancia érvényes és érvényesíthető legyen. Ez a Standard garancia szintén csak az új Termék(ek) re vonatkozik.
- Egyes országokban a fogyasztók a www.ryobitools.eu weboldalon történő regisztrációval meghosszabbíthatják a Standard garancia időtartamát az arra jogosult termék esetében. A Termékek kiterjesztett garanciára („Kiterjesztett garancia”) való jogosultsága a termék csomagolásán, a www.ryobitools.eu weboldalon ésvagy a vonatkozó termék dokumentációjában, a <https://www.ryobitools.eu> címen található. A Kiterjesztett garancia igénybevételehez a Fogyasztóknak a vásárlás napjától számított 30 nappal napban belül online regisztrációjuk kell a Termék(ek)re. A Fogyasztó minden személyes adatát az adatvédelmi nyilatkozatnak megfelelően dolgozjuk fel, amely itt található: <https://uk.ryobitools.eu/footer-links/privacy-policy/>. A Kiterjesztett garancia igazolásaként a regisztrációt vizsgáljuk, e-mailben kiküldjük a nyilatkozat ésvagy a vásárlás dátumát feltüntető eredeti számla szolgálat.
- A Standard Garancia és a Kiterjesztett Garancia („Garancia”) a TTI döntése szerint a hibás Termék javítására ésvagy cseréjére korlátozódik, feltéve, hogy a gyártási vagy anyaghiba a vásárlás időpontjában fennállt. További költségek vagy veszteségek megtérítése nem igényelhető. Ezen túlmenően a garanciák nem vonatkoznak a következőkre:
 - a Fogyasztó által véletlenül, szándékosan vagy gondatlanságból okozott kár
 - a Termékben a nem megfelelő kezelés vagy a karbantartás hiánya miatt bekövetkezett kár
 - bármely olyan termék, amelyet átalakítottak vagy módosítottak
 - bármely olyan termék, amelyen az eredeti azonosító jelzést (védjegy, sorozatszám) lefestették, megváltoztatták vagy eltávolították
 - a használati utasítás be nem tartása miatt keletkezett okozott kár
 - CE/UKCA-jelöléssel nem rendelkező termékek
 - bármely olyan Termék, amelyet nem hivatalos szervizközpontban vagy a TTI előzetes engedélye nélkül próbáltak megjavítani
 - nem megfelelő tápegységhez csatlakoztatott termék (amper, feszültség, frekvencia)
 - nem megfelelő üzemanyag-keverékek (üzemanyag, olaj, olaj aránya) használat bármely termék
 - külső behatás (víz, vegyszer, fizikai, áramütés) vagy idegen anyagok által okozott kár
 - a pótalkatrészek normál elhasználódása
 - a Termék(ek) nem rendelkezésszerű használata, túlterhelése
 - nem jóváhagyott tartozékok vagy alkatrészek használata
 - a szerzámhoz mellékelt vagy külön megvásárolt elektromosszárm-tartozékok. Ezek a kizáró feltételek érvényesek többek között a normál kopásnak és elhasználódásának kettő csavarhúzóknak, fúrófúrók, csiszolókorongok, csiszolópapírok és pengék, oldalsó vezető
 - komponensek (alkatrészek és tartozékok) esetében, beleértve többek között a következőket: szerviz- és karbantartási készletek, szénkefék, csapagyk, tokmány, fúrószárfoglat vagy -oldalak, tápkábel, kiegészítő fogantyú, hordtáska, csiszolólemezek, porzárk, porélszívó, cső, ficalátétek, üvevszavazó csapok és rugók, adagológombok, hajlítógépek, tengelykapcsolók, svenyvágyók vagy fúrónyírj pengék, heveder, fúrószeg, fogak, csapcszegek, fúróváltókatok, fúvó- és szívócsővek, lomtösvászások és vészlégy, vezetőlemezek, fúrószárak, tömlők, csatlakozószerevények, szűrőpistolyok, keretek, szórófejek, belső tárcsák, külső orsó, vágóvonalak, gyújtógyertyák, levegőszűrők, gázzűrők, mulcsözőkésék stb.
- A garanciális szervizeléshez a Termék(ek)et a gyártási vagy anyaghiba megjelenését vagy felismerését követően haladéktalanul kell küldeni vagy be kell mutatni a <https://www.ryobitools.eu> weboldalon felsorolt hivatalos RYOBI szervizpartnerek valamelyikének. A fogyasztók a Garanciák szerinti szolgáltatásokat egy RYOBI szervizpartnérnél vehetik igénybe a következő módon:
 - a. kapcsolattételtel a kereskedővel, ahol a vásárlás történt; vagy
 - b. regisztráció a RYOBI kereskedelmi weboldalon (<https://www.ryobitools.eu>) elérhető szervizplatformon keresztül, a folyamat elérhetőség országunkon eltérő lehet.A Termékek RYOBI hivatalos szervizpartnérhez történő elküldésekor a Termékek biztonságosan, veszélyes anyagok nélkül kell becsomagolni a részleteket lásd a <https://www.ryobitools.eu> weboldalon található biztonsági utasításokban) a feladó címvél és a hiba rövid leírásával ellátva. Kérjük, vegye figyelembe, hogy egyes országokban a szállítási díjakat vagy a postaköltséget a helyi gyakorlatnak megfelelően a feladónak kell megfizetnie. Kérjük, forduljon a helyi RYOBI hivatalos szervizközpontjához, hogy megbizonyosodjon arról, hogy Önre is vonatkoznak-e ezek a díjak.
- A Fogyasztó által hibásnak vélt Termék átvételkor megtörténik az átvételság. A hiba megállapítását követően a garanciális szolgáltatásokról a TTI döntése szerint a termék hibás részekének javításával vagy hibátlan alkatrészekkel való cserével valósul meg. Ha a TTI elutasítja a hiba kijavítását, vagy ha a TTI mérlegelése szerint a javítás sikertelen volt, akkor egyenértékű csereterméket kell biztosítani. A kicserélt Termék(ek) vagy alkatrészek (a TTI tulajdonába kerül(nek)). A fenti garanciák szerinti javítások/cserék ingyenesek. A TTI által végzett javítások/cserékkel nem jár együtt a Garanciák meghosszabbítása vagy újradefiniálása. A kicserélt pótalkatrészekre az eredetileg érvényes Garanciák vonatkoznak, és a Garanciák időtartama a teljes termékre eredetileg adott Garancia időtartamával egyezt.
- A RYOBI garanciákat a Technicon Industries GmbH (Max-Eyth-Str.10, 71364 Winnenden, Németország) kizárólag a termékek eredetileg megvásárolt fogazatszámnyitja, és azok nem ruházottak át.
- Térségben az Európai Gazdasági Térségben (EGT), Svájcban és az Egyesült Királyságban érvényesek. Ezeket a területeken kívül kérjük, forduljon a vásárlás helye szerint kereskedőhöz, hogy megtudja, érvényes-e a termékére más önkéntes garancia.

HIVATALOS SZERVIZKÖZPONT

Ha bármilyen kérésre vagy problémára van a termékkel kapcsolatban, forduljon a helyi hivatalos szervizközponthoz (átgátszon a www.ryobitools.eu oldalra), vagy közvetlenül ide: Technicon Industries GmbH, Max Eyth Straße 10, 71364 Winnenden, Germany. Adja meg a közelebbi nyitvatartási sorozatszámát és terméktypusát.

RO CONDIȚII DE PRELUNGIRE A GARANȚIEI RYOBI

În plus față de orice drepturi stabilite care decurg din achiziționarea unui produs și fără a aduce atingere drepturilor stabilite care se aplică în mod independent și gratuit, toate untele electrice și/sau untele de grădiniți ale marci RYOBI enumerate pe site-ul nostru web, cu excepția acestor produse pentru unelte, a sistemelor de depozitare a uneltelor și piesele de schimb, așa cum sunt descrise în continuare la „Produs”, sunt acoperite de o garanție voluntară emisă de Technicon Industries GmbH („TTI”), conform termenilor și condițiilor menționate mai jos („Garanție”).

Garanția se aplică numai cumpărătorilor care achiziționează produsele ca utilizatori finali în calitate de consumatori („Consumator”). Comercianții cu amănuntul, companiile de închiriere, precum și utilizatorii finali profesioniști sunt excluși în mod expres din această termen și condiții generale a Garanției. Pentru utilizatorii finali profesioniști, se poate aplica un alt tip de garanție voluntară anumitor produse, dacă este prevăzută în mod explicit pe site-ul www.ryobitools.eu. Înlocuirea acestei Garanții pentru un limitază drepturile legale stabilite ale Consumatorului în cazul unui defect.

- Garanția standard („Garanția standard”), cu condiția ca produsul să fie achiziționat numai pentru uz privat, are un termen de 24 de luni („Perioada de garanție standard”) și începe la data achiziționării produsului. Această dată trebuie să fie documentată printr-o factură sau altă dovadă de cumpărare pentru ca Garanția standard să fie valabilă și aplicabilă. De asemenea, această Garanție standard se aplică numai Produselor noi.
- Consumatorii din anumite țări pot prelungi Garanția standard pentru Produsele eligibile dincolo de perioada Garanției standard, prin înregistrarea pe site-ul web www.ryobitools.eu. Eligibilitatea Produsului pentru garanție extinsă („Garanție extinsă”) este specificată pe ambalajul unui Produs, pe site-ul web www.ryobitools.eu și sau este cuprinsă în documentația referitoare a Produsului la <https://www.ryobitools.eu>. Pentru a beneficia de Garanția extinsă, Consumatorii sunt obligați să își înregistreze Produsurile online în termen de 30 de zile calendaristice de la data achiziției. Toate datele cu caracter personal ale unui Consumator vor fi prelucrate în conformitate cu declarația de confidențialitate, care poate fi găsită aici <https://ro.ryobitools.eu/footer-links/privacy-policy/>. Chițta de confirmare a înregistrării, care este trimisă prin e-mail, și factura originală care arată data achiziției vor servi drept dovadă a Garanției extinse.
- Garanția standard și Garanția extinsă („Garanții”) sunt limitate la repararea și/sau înlocuirea Produsului defect, la discreția TTI, cu condiția ca defectul de manoperă sau material să fi existat la data achiziției. Nu pot fi pretinse alte costuri sau pierderi. În plus, garanțiile se aplică:
 - oricărui daune cauzate accidental, voit sau nejustificat de către Consumator
 - oricrei deteriorări a Produsului care este rezultatul unui tratament necorespunzător sau al lipsei de întreținere
 - oricărui Produs care a fost alterat sau modificat
 - oricărui Produs la care marcapiele de identificare originale (marca comercială, numărul de serie) au fost deteriorate, alterate sau îndepărtate
 - oricărui daune cauzate de neprecizarea MANUALULUI de instrucțiuni
 - Produselor care nu sunt supuse unei marci CE/UKCA
 - oricărui Produs pentru care s-a încercat repararea de către un centru de service neautorizat sau fără autorizarea prealabilă a TTI
 - oricărui Produs conectat la o sursă de alimentare necorespunzătoare (amperi, tensiune, frecvență)
 - oricărui Produs folosit cu un amestec de combustibil inadecvat (combustibil, ulei, raport de ulei)
 - oricărui daune cauzate de influențe externe (apă, substanțe chimice, forțe fizice, șocuri) sau substanțe utilizate în timpul
 - uzului normal a pieselor de schimb
 - utilizării necorespunzătoare, suprautilizării Produsului(e)lor
 - utilizării de accesorii sau piese neomologate
 - accesorilor pentru unelte electrice furnizate împreună cu uneltea sau achiziționate separat. Astfel de unelte includ, dar fără a se limita la, capace de surubelniță, burghie, discuri abrazive, hărți abrazive și lame, ghidaje laterale
 - componente (piese și accesorii) care sunt supuse uzurii normale, inclusiv, dar fără a se limita la, truse de reparare și întreținere, peni de carbon, rulmenți, mandrină, atașament sau receptacul pentru burghie SDS, cablu de alimentare, mâner auxiliar, cablu de transport, placă de șlefuit, sac de praf, tub de evacuare a prafului, șabla de tăiere, șifriți și arcuri pentru meșini de înșurubat cu impact, butoniere rotative, curele de transmisie, ambreiaj, lame pentru meșini de tuns gazon și sau meșini de tuns iarba, cabluri, accesorii prin cablu, dișă, șifriți de cuplare, ventilatoare de suflantă, buton de suflantă și de aspirator, sac și curele de aspirator, bare de ghidare, lanțuri de ferăstrău, furcuni, racorduri de conectare, duze de pulverizare, roți, baghete de pulverizare, buton de înfășurător, bobine extensibile, fire de tăiere, buji, filtre de aer, filtre de gaz, lame de mărunțire etc.
- Pentru reparare în garanție, Produsul(e) trebuie să fie trimis sau prezentat fără întârziere justificată după apariția sau recunoașterea defectului de manoperă sau de material unui partener de service autorizat RYOBI enumerat pe următorul site web <https://www.ryobitools.eu>. Consumatorii pot obține servicii conform Garanției de la un partener de servicii RYOBI prin:
 - a. contactarea comerciantului cu amănuntul de unde a fost făcută achiziția; sau
 - b. înregistrarea prin intermediul platformei de service disponibilă pe pagina web comercială RYOBI <https://www.ryobitools.eu>, disponibilă la procesul de plată de la o țară la alta.Când trimiteți un Produs către un partener de service autorizat RYOBI, Produsul va fi ambalat în siguranță, fără contract periculos (pentru detalii, consultați instrucțiunile de siguranță de pe site-ul web <https://www.ryobitools.eu>), marcat cu adresa expeditorului și însoțit de o scurtă descriere a defectului. Rețineți că, în unele țări, taxele de livrare sau taxele poștale vor trebui plătite de către expeditor, conform practicii locale. Consultați centru de service local autorizat RYOBI pentru a confirma dacă se aplică astfel de taxe.
- La primirea Produsului prețins de către Consumator ca fiind defect, acesta va fi inspectat. Când defectul a fost confirmat, serviciile conform Garanțiilor vor fi furnizate prin repararea pieselor defecte ale produselor sau înlocuirea acestora cu piese nedefectate, la discreția TTI. Dacă TTI refuză să repare defectul sau dacă, la discreția TTI, repararea a eșuat, va fi furnizat un înlocuitor echivalent. Produsul(e) sau piesele înlocuite vor deveni proprietatea TTI. Online reparare/înlocuire conform Garanțiilor de mai sus este gratuită. Reparații/înlocuirea efectuată de TTI nu constituie o prelungire sau un nou început al Garanțiilor. Piesele de schimb înlocuite sunt supuse Garanțiilor acordate inițial, iar perioada pentru Garanții se va încheia cu perioada pentru Garanția care a fost acordată inițial pentru înțregul produs.
- Garanțiile RYOBI sunt acordate de Technicon Industries GmbH, Max-Eyth-Str.10, 71364 Winnenden, Germania, numai Consumatorului care a achiziționat inițial Produsul și nu pot fi transferate sau cesionate.
- Garanțiile sunt valabile în Spațiul Economic European (SEE), Elveția și Regatul Unit. În afara acestor zone, vă rugăm să contactați comerciantul de unde a fost făcută achiziția pentru a afla dacă se aplică o altă garanție voluntară.

CENTRU DE SERVICE AUTORIZAT

Online întrebare sau problemă în legătură cu produsul se poate adresa la centrele locale autorizate de service (vizitați www.ryobitools.eu) sau direct la: Technicon Industries GmbH, Max Eyth Straße 10, 71364 Winnenden, Germany. Vă rugăm să specificați numărul de serie și tipul de produs țipărite pe etichetă.

ET RYOBI GARANTII KOHALDAMISE TINGIMUSED

Lisaks toote ostule tulevatelise seadusjärgsetele õigustele, piiramata sõltumatult ja tasuta kohaldatavate seadusjärgselt õigusi, kehtib kõikidele meie veebileidil loetletud uutele RYOBI kaubamärkide elektrilise- ja/või aiatööriistadele, välja arvatud tööriistade tarvikutele, tööriistade hooldamiseks sobivatele seadmetele ja varuosadele, nagu allpool täpsustatud, (edaspidi „tooted“) vabatahtlikult garantii, mille andja on Techtronic Industries GmbH („TTI“) ning mille suhtes kehtivad allpool esitatud tingimused („garantii“).

Garantii saadakse kasutades üksnes ostjad, kes ostavad tooteid lõppkasutajateks tarbijatena („tarbijat“). Käesolevate garantii tingimuste kohaldamine jäämüüja, renditelevõtja ja kutseliste lõppkasutajate suhtes on selgelt määratletud. Kutseliste lõppkasutajate puhul võib teatud toodetele kehtida teistsugune vabatahtlik garantii, kui seda on veebileidil RYOBI suhtes selgelt näidetud. See vabatahtlik garantii kasutamise ei piira tarbijat seadusjärgselt õigusi seoses puuduga.

1. Standardse garantii („standardne garantii“) kehtivuse on 24 kuud („standardne garantiaeg“), tingimusi et toode ostes üksnes ikkivali ostetabel kasutamiseks, ning see algab toote ostmise kuupäevast. Standardne garantii on kehtiv ja kasutatav üksnes kasutamisel, et nimetatud kuupäev on dokumenteeritud arvel või muu ostu tõendaval dokumendil. Lisaks kehtib standardne garantii ainult uutele toodetele.

2. Teatud niikesid võib klientidel olla võimalik pikendada sobivate toodete standardset garantiid üle standardse garantiaja, kui nad registreeruvad veebileidil www.ryobitools.eu. Teave toote sobivuse kohta garantii pikendamiseks („pikendatud garantii“) on esitatud toote pakendi, veebileidil www.ryobitools.eu ja/või vastavates tootekohaldamises, mis on leitavad aadressil <https://www.ryobitools.eu>. Pikendatud garantii saamiseks peavad tarbijad registreerima toote(d) veebileidil 30 kalendripäeva jooksul alates ostu kuupäevast. Kõiki tarbijat isikuid ei võimaldata registreerida kasutades privaatsusvaldusega, mis on leitav aadressil <https://www.ryobitools.eu/ajal/privatsuspoliitika/>. Pikendatud garantii tõenduskõrvaldamine kasutatakse e-postiga saadetud registreerimise kinnitust ja algset arvel, millel on näha ostu kuupäev.

3. Standardse ja pikendatud garantii („garantii“) alusel peetakse üksnes vigase toote parandamist ja/või asendamist TTI äranägemisel, tingimusi et kooste- või materjaliviga ol olemas juba ostu kuupäeval. Mingi muu kulu või kahju hüvitamist nõuda ei saa. Lisaks ei kehti garantii järgmises suhtes:

- tarbita poolt juhuslikult, tahtlikult või hoolusetus põhjustatud kahjustus
- toote kahjustus, mis on tingitud valest käsitsemisest või hooldamata jätmisest
- teiseid tüüpi või ümber ehitatud toode
- toode, mille algne identifitseerimisnõu (kaubamärk, seerianumber) on rikutud, muudetud või eemaldatud
- kahjustus, mille on põhjustanud kasutusjuhendi juhiste eiramine
- toode, mille puudub CE/UKCA märgis
- toode, mida on üritatud parandada tunnustamata hoolduskohas või ilma TTI eelneva loata
- toode, mis on ühendatud sobimatute omadustega (voolutugevus, pinge, sagedus) voolialikaga
- toode, milles kasutatakse sobimatut küttesegu (kütus, õli, õli osakaal)
- väliste mõjurite (vesi, kemikaal, füüsiline jõud, loodig) või võrkehade põhjustatud kahju
- varuosade tavapärase kulumine
- toote lubamatut kasutamise või ülekoormamine
- haakimata tarvikute või osade kasutamine
- tööriistaga otsaks olnud või arvatud olnud tarvikud elektritööriistadele. Käesolev välistab hõlmab muu hulgas kruvikeeraja otsaku, puurirastid, abrasiivkettid, lämpipaberit, terasid ja külgiühikuid
- tavapäraselt kuldavad osad (varuosad ja tarvikud), kaasa arvatud remondi- ja hoolduskomplektid, süsinikhärjad, laagrid, padrun, SDS-trelli otsakummutid või -pesa, tolitehje, isakäepide, kandeskohter, lihvpaberi, tolmutkoti, muu ärajätmise voolik, välisõid, lõõkumitvõtte lihtid ja vedrud, otsanupud, ajamirihmad, sidur, hekimiteerimise või muuniidukite terad, rakmed, kaabliõhri, hambad, haakekonksu poldid, puhuriteerimiskõr, puhuri ja tolmuimeja torud, tolmuimeja kott ja riimad, juhtlaid, saeketid, voolikud, ühendusliitimid, puhustuskottid, rattad, puhustusvardad, sisemised lihtid, välised poldid, lõikejõhid, süüteküünlad, õhufiltrid, gaasfiltrid, nihtimiserid jne.

4. Garantiteeninduse saamiseks tuleb toode pärast kooste- või materjaliviga ilmumist või avastamist ilma põhjendamatult viivitusega saata või teada mõne aadressil <https://www.ryobitools.eu> loetletud RYOBI tunnustatud hoolduspartnerile. Garantiteeninduse RYOBI hoolduspartnerit teenuste saamiseks tarbijad

- a. võtavad ühendust järgmiskohaga, kus osti toortüüpi, või
- b. registreeruvad RYOBI kaubanduslikul veebileidil <https://www.ryobitools.eu> pakutava teenusplatvormi kaudu; selle protsessi kasutatavus võib olenevalt riigist erineda.

RYOBI tunnustatud hoolduspartnerile saadetak toode peab olema ohutult pakendatud ilma ohtliku sisuta (täpsemat teavet leiate aadressil <https://www.ryobitools.eu> ohutusjuhiste all), sellele peab olema märgitud saaja aadress ning lisatud puuduste lühike kirjeldus. Pange tähele, et mõnes riigis peab saaja vastavalt kohalikele tavadele tasuma seadme või postikulude eest. Kusig seeliste tasude kohta teavet kohaliku RYOBI tunnustatud hoolduskeskusest.

5. Pärast tarbita väitel vigase toote käsitsemiseast kate kontrollitakse. Kui vae esinimine leib kinnitust, siis garantiteeninduse riigase toote vastase ostd TTI äranägemisel kas parandatakse või asendatakse teravete osadega. Kui TTI keeldub vae parandamisest või parandamine ole TTI hinnangu kohaselt õnnestunud, kasutatakse samaväärset asendust. Asendatud toode või osa muudat TTI omandiks. Eespool osutatud garantiid ei ole tehitavad parandustöödeasendused või tasumata. TTI tehitvad parandustöödeasendused ei loo alust garantii pikendamiseks ega garantiaja arvutuse uuesti alustamiseks. Asendatud varuosade suhtes kehtivad algselt antud garantii ning nende garantiaja kehtivus lõpeb kogu tootele algselt antud garantiaja lõppemisega.

6. Ettevõtte Techtronic Industries GmbH (Max-Eyth-Str.10, 71364 Winnenden, Saksamaa) annab RYOBI garantii ainult toote algselt ostmud tarbijale ning neid ei ole lubatud võrandada ega loovutada.

7. Garantii kehtivad Euroopa Majanduspiirkonnas (EMP), Sveitsis ja Ühendkuningriigis. Muudes piirkondades palume küsida toote hoidmiskohalt teavet selle kohta, kas kohaldatakse mõnda muud vabatahtlikku garantii.

TUNNUSTATUD HOOLDUSKESKUS

Tooteaga seotud päringute või probleemide korral pöörduge kohaliku volitatud hoolduskeskuse poole (vt www.ryobitools.eu või aadressile: Techtronic Industries GmbH, Max Eyth Straße 10, 71364 Winnenden, Germany. Märkige ära siidil olev seerianumber ja toote tüüp.

HR UVJETI ZA PRIMJENU JAMSTVA ROBNE MARKE RYOBI

Osim svih zakonskih prava koja proizilaze iz kupovine proizvoda i ne dovodeći u pitanje zakonska prava koja se primjenjuju neovisno i besplatno, svi su novi alati i/ili vrtni alati robne marke RYOBI navedeni na našem web-mjestu, ne uključujući dodatke za alat, sustave za skladištenje alata i rezervne dijelove, kao što je u nastavku navedeno („Proizvod“), pokrivni dobrovoljni jamstvo koje pruža Techtronic Industries GmbH („TTI“), podložnom odredbama i uvjetima dobavljenim u nastavku („Jamstvo“). Jamstvo se ostosne isključivo na kupce koji svoje proizvode kao krajnji korisnici u ulozu potrošača („Potrošač“). Prodavači, tvrtke za zamijanjivanje, kao i profesionalni krajnji korisnici izričito su izostavljeni iz ovih općih odredbi i uvjeta Jamstva. Za profesionalne krajnje korisnike može se primijeniti drugačija vrsta dobrovoljnog jamstva za određene proizvode ako je ono izričito navedeno na web-mjestu www.ryobitools.eu. Priznavanje ovog dobrovoljnog Jamstva ne ograničava zakonska prava Potrošača u slučaju oštećenja.

1. Standardno jamstvo („Standardno Jamstvo“), ako je Proizvod kupljen isključivo za privatnu upotrebu, ima razdoblje trajanja od 24 mjeseca („Razdoblje standardnog jamstva“) i valjano je od datuma kupovine proizvoda. Taj datum mora biti dokumentiran naravno ili drugim dokazom o kupovini da bi Standardno jamstvo bilo valjano i primjenjivo. Ovo se Standardno jamstvo ostosne samo na nove Proizvode.

2. Potrošači u određenim državama mogu produljiti svoje Standardno Jamstvo za Proizvode koji ispunjavaju uvjete i nakon razdoblja Standardnog jamstva tako da se registriiraju na web-mjestu www.ryobitools.eu. Podobnost Proizvoda za produljeno jamstvo („Produljeno jamstvo“) navedeno je na pakiranju Proizvoda, na web-mjestu www.ryobitools.eu ili je pak dio relevantne dokumentacije o Proizvodu na web-mjestu <https://www.ryobitools.eu>. Da bi iskoristili Produljeno Jamstvo, Potrošači moraju registrirati svoje Proizvode putem interneta u roku od 30 kalendarskih dana od datuma kupovine. Svi osobni podaci o Potrošaču obradivati će se u skladu s izvornom zaštitom privatnosti, koji je moguće pronaći ovdje: <https://uk.ryobitools.eu/footer-links/privacy-policy/>. Potvrdu primika registracije, koje se šalje putem e-pošte, i originalni račun s datumom kupovine služiti će kao dokaz Produljnog jamstva.

3. Standardno Jamstvo i Produljeno Jamstvo („Jamstvo“) ograničena su na popravke ili zamjene neispravnog Proizvoda prema nadohotuju tirk TTI ako je greška u izradi ili materijalu postojala na datum kupovine. Nije moguće zatražiti dodatne troškove ili naknade. Osim toga, Jamstvo se ne primjenjuje na sljedeće:

- oštećenja koja je slučajno, namjerno ili neproizvodno uzrokovao Potrošač
- oštećenja Proizvoda koja su rezultat nepravilnog rukovanja ili nedovoljnog održavanja
- Proizvode koji su mijenjani ili modificirani
- Proizvode čija je izvorna oznaka (zaštitni znak, serijski broj) uništena, promijenjena ili uklonjena
- oštećenja uzrokovana neprikladnim upotrebom
- Proizvode koji nisu podložni oznakama CE/UKCA
- Proizvode koje je pokušao popraviti neovlašteni servisni centar ili bez prethodnog odobrenja tvrtke TTI
- Proizvode koji su povezani s neodgovarajućim izvornim napajanjem (amperi, napon, frekvencija)
- Proizvodi s neodgovarajućom smjesom goriva (ulje, omjer ulja)
- oštećenja uzrokovana vanjskim elementima (voda, kemikalije, fizički uvjeti, udarci) ili stranim tvarima
- normalno trošenje rezervnih dijelova
- neodgovarajuću upotrebu, preopterećenje Proizvoda
- upotrebu neodobrenih dodatka ili dijelova
- dodatke za alat koji su kupljeni s alatom ili zasebno. To obuhvaća, između ostalog, nastavke za odvijanje, nastavke za bušilicu, abrazivne diske i ploče, brusni papir i oštrice te lateralne vodilice
- komponente (dijelove i dodatke) koje su podložne normalnom trošenju, uključujući, između ostalog, kolute za servisiranje i održavanje, ugljene četke, ležajve, stezne gume, SDS nastavak za svrdlo ili prihvati, kabel, dodatnu ruku, torbu za prenošenje, brusni papir, torbu za zaštitu od prašine, cijevi ispuha, podriške od filca, lojke i opruge udarnog kluca, gumba za otpuštanje, pogonske remene, spojnice, oštrice trimera za živicu ili kosilica, pojas, sagnu gaza, zupce, igle za spojnu vucu, ventilatore puhalica, cijevi za ispuhavanje i usisavanje, vakuumske vrećice i trake, vodilice, lance pile, crijeva, priključne elemente, mlaznice za raspršivanje, kotače, štapove za raspršivanje, unutarnje kolote, vanjske kaleme, flaksove, svjećice, filtre za zrak i gorivo, oštrice za usustavanje itd.

4. U slučaju servisiranja u sklopu Jamstva Proizvod je potrebno bez odgode odmah nakone pojava ili prepoznavanja oštećenja u izradi ili materijalu poslati ili pokazati ovlaštenom servisnom partneru za RYOBI navedenom na sljedećem web-mjestu: <https://www.ryobitools.eu/>. Potrošači mogu usluge u sklopu Jamstva ostaviti kod servisnog partnera za RYOBI

- a. kontaktiranjem prodavača kod kojeg su kupili proizvod ili
- b. registracijom putem servisne platforme dostupne na komercijalnom web-mjestu robne marke RYOBI (<https://www.ryobitools.eu/>); dostupnost postupaka može se razlikovati ovisno o državi.

Priklonom slanja Proizvoda ovlaštenom servisnom partneru za RYOBI, Proizvod je potrebno sigurno zapakirati bez štetnih tvari (za pojedinosti pogledajte sigurnosne upute na web-mjestu <https://www.ryobitools.eu/>), označiti adresom poslužitelja i poslati uz kratak opis oštećenja. Imajte na umu da zbog lokalnih praksi u nekim državama naknadu za dostavu ili poštanu mora platiti poslužitelj. Obratite se lokalnom ovlaštenom servisnom centru robne marke RYOBI da biste provjerali odnose li se vaši troškovi i na vas.

5. Proizvod za koji Potrošač tvrdi da je oštećen po primniku će biti pregledan. U slučaju potvrde oštećenja, usluge navedene u sklopu Jamstva tvrdi na nanohtuju tirk TTI bit će pružene kako bi se oštećeni dijelovi proizvoda popravili ili se zamijenili neostecenim proizvodom. Ako tvrtka TTI odbije popraviti oštećenja ili ako je prema sudu tvrtke TTI popravak ili zamjena besplatan, provi će se istovrijedna zamjena. Zamijenjeni Proizvod ili dijelovi postaju vlasništvo tvrtke TTI. Svi povratni zamjene u sklopu Jamstva provode se besplatno. Povratni zamjene koje provodi TTI ne označavaju produljenje ili novi početak valjanosti Jamstva. Zamijenjeni rezervni dijelovi podložni su prethodno danim Jamstvima, a razdoblje Jamstva ističe će zajedno s Jamstvom koje je originalno dato za cijeli proizvod.

6. Jamstva robne marke RYOBI daje tvrtka Techtronic Industries GmbH, Max-Eyth-Str.10, 71364 Winnenden, Njemačka, i to samo Potrošačima koji su izvorno kupili Proizvod. Jamstvo nije moguće prenijeti ili dodijeliti nekome drugome.

7. Jamstva su valjana u Europskom gospodarskom području (EGP-u), Švicarskoj i Ujedinjenoj Kraljevini. Ako se nalazite izvan tih područja, obratite se prodavaču gdje je proizvod kupljen da biste saznali primjenjuje li se neko drugo dobrovoljno jamstvo.

OVLAŠTENI SERVISNI CENTAR

Za svaki zahtjev ili problem s proizvodom možete se obratiti vašim ovlaštenim servisnim centrima (posjetite adresu www.ryobitools.eu) ili izravno na: Techtronic Industries GmbH, Max Eyth Straße 10, 71364 Winnenden, Germany. Navedite serijski broj i vrstu proizvoda otmnuta na naljepnicu.

SL GARANCIJSKI POGOJI ZA IZDELKE RYOBI

Poleg katerih koli zakonskih pravic, ki izhajajo iz nakupa izdelka in brez poseganja v zakonske pravice, ki veljajo neodvisno in brezplačno, velja za vsa nova električna orodja in/ali vrtna orodja znamke RYOBI, ki so navedena na naši spletni strani, razen dodatne opreme za orodja, sistemov za shranjevanje orodij, za nadomestne delce, ki so podrobneje opisane v nadaljevanju ("izdelek"), prostovoljna garancija družbe Technonic Industries GmbH ("TTI") v skladu s spodaj navedenimi pogoji ("garancija").

Garancija velja samo za kupca, ki je izdelek kupil kot končni uporabnik za uporabo v zasebne namene ("potrošnik"). Trgovci, podjetja za izposajo in poklicni uporabniki so izrecno izključeni iz teh splošnih pogojev garancije. Za poklicne uporabnike lahko za nekatere izdelke velja drugačna vrsta prostovoljne garancije, če je to izrecno navedeno na spletnem mestu www.ryobitools.eu. Uveljavljanje te prostovoljne garancije ne omejuje zakonskih pravic potrošnika v primeru okvare.

1. Standardna garancija ("standardna garancija") velja 24 mesecev ("standardna garancijska doba") in začne veljati na dan nakupa izdelka, pod pogojem, da je izdelek kupljen samo za zasebno uporabo. Da bi bila standardna garancija veljavna in izvršljiva, mora biti ta datum dokumentiran na račun ali drugem dokazilu o nakupu. Ta standardna garancija velja tudi za novo izdelke.

2. Potrošniki v nekaterih državah lahko podložijo standardno garancijo za nekatere izdelke po obdobju veljavnosti standardne garancije, tako da izdelek registrirajo na spletnem mestu www.ryobitools.eu. Upravičenost izdelkov do podaljšanja garancije ("podaljšana garancija") je navedena na embalaži izdelka, na spletnem mestu www.ryobitools.eu, in/ali je navedena v dokumentaciji ustreznega izdelka na spletnem mestu <https://www.ryobitools.eu>. Za izkoristitev podaljšane garancije morajo potrošniki svojo izdelke registrirati prek spleta v 30 kletarskih dneh od datuma nakupa. Vsi potrošniki osebni podatki bodo obdelani v skladu z izjavo o zasebnosti, ki je na voljo na tem mestu: <https://uk.ryobitools.eu/footer-links/privacy-policy/>. Za dokaz o podaljšani garanciji služijo potrdilo o registraciji, poslano po elektronski pošti, in originalni račun, na katerem je naveden datum nakupa.

3. Standardna in podaljšana garancija ("garanciji") sta omejeni na popravilo in/ali zamenjavo pokvarjenega izdelka po presoji družbe TTI, če sta ugotovljena napaka v izdelavi ali materialu ob dnevu nakupa. Dodatnih stroškov ali nadomestila izgub ni mogoče zahtevati. Garancije poleg tega ne veljajo tudi v naslednjih primerih:

- Poškodba, ki je bil potrošnik povzročil nenamerno, namerno ali iz malomarnosti
- Kakršna koli poškodba izdelka, ki je posledica nepravilnega ravnanja ali pomanjkljivega vzdrževanja
- Vsak izdelek, ki je bil spremenjen ali predelan
- Vsak izdelek, pri katerem so bile prvotne identifikacijske oznake (blagovna znamka, serijska številka) poškodovane, spremenjene ali odstranjene
- Kakršne koli poškodbe zaradi neupoštevanja navodil za uporabo
- Izdelki, za katere je velja oznaka CE/UKCA
- Vse izdelke, ki jih je poskušal popraviti nepooblaščen servisni center, ali če tega predhodno ni odobril družbe TTI
- Kateri koli izdelek, priključen na neustrezno električno napajanje (ampri, napetost, frekvenca)
- Kateri koli izdelek, uporabljen za nepremerno mešanico goriva (gorivo, olej, razmerje olja)
- Kakršne koli poškodbe zaradi zunanjih vplivov (voda, kemikalije, fizični vplivi, sok) ali tujih
- Normalna obraba nadomestnih delov
- Neustrezna uporaba, preobremenitev izdelkov
- Uporaba neodobrene dodatne opreme ali delov
- Dodatna oprema za električno orodje, priložena orodju ali dokupljena ločeno. Take izključivo med drugim vključujejo tudi vijane nastave, svedre, brusne plošče, brusni papir in rezila, stransko vodilo
- Sestavni deli (deli in dodatna oprema), povzročeni normalni obrabi, vključno z, vendar ne omejeno na komplekte za servisiranje in vzdrževanje, krtačke, ležaje, vpenjalce, čeljusti in svedre SDS, napajalni kabel, pomožni ročaj, transportno torbico, brusno ploščo, vrečka za prah, izhodno cevo za prah, podložke iz klobučevine, zatiči in vzmeti udanega vijavnika, udarne glave, pogonski jermeni, sklopka, rezila obrezovalnice žive meje ali kosilnic, jermeni, plenicca, zobci, priključne klopke, ventilatorji puhal, cevi, puhal in sesalniki, vreča sesalnika in trakovi, meči, verige žag, cevi, priključki, razpršilne šobe, koleca, razpršilne ročke, notranji koluti, zunanji koluti, rezalne nitje, vzgajalne nitje, plinski filter, rezila za mučenje itd.

4. Za servis v okviru garancije je treba izdelek poslati ali predložiti pooblaščenemu servisnemu partnerju RYOBI, navedenemu na spletni strani <https://www.ryobitools.eu> brez neprotokolne oddajanja takoj po pojavu ali ugotovitvi napake v izdelavi ali materialu. Potrošniki so v okviru garancije upravičeni do servisnih stroškov servisnih partnerjev podjetja RYOBI na naslednje načine:

- a. tako, da se omeje na prodajalca, pri katerem je bil opravljen nakup; ali
- b. z registracijo prek servisne platforme, ki je na voljo na spletni strani RYOBI <https://www.ryobitools.eu>. Postopek je odvisen od posamezne države.

Izdelek morate pooblaščenemu servisnemu partnerju podjetja RYOBI poslati varno zapakirane brez nevarne vsebine (podrobnosti si ogledajte v varnostnih navodilih na spletnem mestu <https://www.ryobitools.eu>). Navesti morate tudi svojo naslov in priključiti kratič opis napake. V nekaterih državah morate pošiljati v skladu z lokalno pravico splošni stroške dostave ali poštnino. O tovrstnih stroških se posvetujte s predstavnikom lokalnega pooblaščenega servisnega centra podjetja RYOBI.

5. Izdelek, za katerega uporabnik trdi, da je pokvarjen, bo po prejemu pregledan. Ko je napaka potrjena, bo v okviru garancije opravljen servisni poseg, pri katerem bodo pokvarjeni deli izdelka po presoji družbe TTI popravili ali zamenjani. Če TTI zavrne popravilo napake ali presodi, da popravilo ni bilo uspešno opravljeno, dobavitelj enakovreden nadomestek. Zamenjani izdelki ali deli postanejo last družbe TTI. Vsa popravilna/dodatna dela v okviru predhodno navedenih garancijskih pogojev so brezplačni. Popravila/zamenjave, ki jih opravi TTI, ne povzročijo podaljšanja ali novega začeka veljavnosti garancije. Zamenjani nadomestni deli so predmet prvotno podanih garancij v okviru garancijske dobe, ki se izteče ob datumu, prvotno navedenem za celoten izdelek.

6. Garancije RYOBI družbe Technonic Industries GmbH, Max-Eyth-Str.10, 71364 Winnenden, Nemčija, podležijo samo prvotnemu kupcu izdelka, in jih ni mogoče prenesti na druge ali jim jih dodeliti.

7. Garancije veljajo v evropskem gospodarskem prostoru (EGS), Švici in Združenem kraljestvu. Če ne živite v teh območjih, se obrnite na prodajalca, pri katerem ste izdelek kupili, in se pozanimajte o morebitnih drugih veljavnih prostovoljnih garancijah.

POOBLAŠČENI SERVISNI CENTER

V primeru zahtev ali težav z izdelkom se lahko obrnete na lokalne pooblaščenice servisne centre (obsežne www.ryobitools.eu) ali neposredno na: Technonic Industries GmbH, Max Eyth Straße 10, 71364 Winnenden, Germany. Prosim, da navedete serijsko številko in tip izdelka, ki sta natisnjena na oznaki.

SK PODMIENJE UPLOTNĀOVANĀ ZĀRUKY RYOBI

Okrem zakonskih prāv vpljvajūch z nĀkupu vĀrobku a bez toho, aby bōl dōnkŭtnĀ zĀkōnnĀe prĀve, kotĀre sĀ uplatŭjūj nĀzĀvĀte a bezplatne, na každĀe novĀe elektrĀckĀe nĀrĀdĀve zĀruky RYOBI a zĀhrĀdnĀe nĀrĀdĀve uvedeme na našej vebowej strĀnke, okrem prislušenstva na nĀrĀdĀve, systĀmŭ na uklĀdĀnĀe nĀhrĀdnĀch a nĀhrĀdnĀch dielov, ako je dĀlej uvedeme v Āasti ("VĀrobok"), sĀ vzĀtuhĀe dobrovŕnĀ zĀruka vydĀnĀ spoločnōstou Technonic Industries GmbH (dĀlej len „TTI“) za podmienok uvedenĀch niže (dĀlej len zĀruka).

ZĀruka sĀ vzĀtuhĀe len na nĀkŭpov, ktorĀ nakŭpĀj vĀrobky ako koncovĀi ŭzĀvĀtĀvi a ich postavenĀi spotrebĀtĀla (dĀlej len „spotrebĀtĀel“). MalobchōdnĀci, pozhĀvĀjōci, ako aj profesionĀlnĀni koncovĀi ŭzĀvĀtĀvi sŭ vylōchnĀe vylōĀeni z tĀchto vseobecnĀch obchōdnĀch podmienok zĀruky. Pre profesionĀlnĀch koncovĀch pouzĀvĀtelov sĀ mōže na ŭrĀdĀie vĀrobky uplatŭjĀt inĀ druh dobrovŕnĀch zĀruk, ak Āi vĀslovne uvedeme na internetovej strĀnke www.ryobitools.eu. UplatnenĀe tĀto dobrovŕnĀ zĀruky neobmedzuje zĀkōnnĀe prĀvne nĀrōky spotrebĀtĀla v pĀrĀdĀe chyby.

1. Za predpoklĀd, že vĀrobok je zĀkupĀny len na sŭkrōmĀe pouzĀtie, mĀ standardĀ zĀruka (dĀlej len „StandardĀ zĀruka“) lehuje 24 mesĀcov (dĀlej len „StandardĀ zĀruka doba“) a zĀĀnĀ plnĀtŭ dnĀ zĀkupĀnia vĀrobku. TĀto dĀtĀna mōže bytĀ zdokumentovĀnĀ faktŭroo alebo inĀm doklĀdom o kŭpe, aby bola standardĀ zĀruka plĀnĀ a vĀmĀhatĀelĀ. TĀto StandardĀ zĀruka sĀ vzĀtuhĀe len na novĀ vĀrobky.

2. SpotrebĀtĀelĀ v ŭrĀdnĀch krajĀnĀch mōže mať po ŭplnĀtĀ obdobia StandardĀ zĀraky mōžnōst predĀtĀ standardĀ zĀruku na vĀrobky, ktorĀ spĀljĀj podmienky oprĀvnenōst, registrĀciu na vebowej strĀnke www.ryobitools.eu. OprĀvnenĀe vĀrobkov na rozšĀrenĀ zĀruku (dĀlej len „rozšĀrenĀ zĀruka“) je uvedĀnĀ na obĀle vĀrobku, na vebowej strĀnke www.ryobitools.eu alebo v prĀslušej dokumentĀciĀ vĀrobku na strĀnke <https://www.ryobitools.eu>. Aby spotrebĀtĀel mohl vĀyuzhĀtĀ vĀtuhĀe rozšĀrenĀ zĀruku, sĀ povĀnĀ zaregĀstrovĀt svoje vĀrobky online do 30 kalendĀrnĀch dnĀ dĀtumu nĀkupu, ŀm zĀrĀkĀ nĀrōk vĀyuzhĀtĀ tĀto rozšĀrenĀ zĀruku. Všetky osobnĀe ŭdĀe spotrebĀtĀelĀ budŭ spracovĀnĀe v sŭlĀde s vĀhlĀsĀnĀm o ochrane osobnĀch ŭdĀajŭ, ktorĀ nĀjdĀte tu <https://uk.ryobitools.eu/footer-links/privacy-policy/>. PotvrdenĀe o registrĀciĀ zĀsĀnĀe e-mailom a pŕvōdnĀ faktŭra s dĀtumm nĀkupu budŭ sŭlĀzi ako ŭkĀz o rozšĀrenĀ zĀruky.

3. StandardĀ zĀruka a rozšĀrenĀ zĀruka (dĀlej len „zĀruky“) sĀ obmedzenĀ na opravu alebo vĀmĀnu chybĀnĀho vĀrobku podĀ ŭvĀzĀnĀ spoločnōsti TTI za predpoklĀd, že chybĀ spracovĀnĀa alebo materiĀlu existovala k dĀtumu nĀkupu. ZĀdnĀe dĀlšie nĀklĀdy alebo straty sĀ nemōžnō nĀrōkovĀt. Okrem toho sĀ zĀruky nevĀzŭjĀjĀ na:

- akĀkovĀk ŀhody spōsobĀnĀe nĀhōdne, ŭmysĀnĀe alebo z nebrĀnĀlivōsti zo strany spotrebĀtĀelĀ
- akĀkovĀk poškōdenĀie vĀrobku, ktorĀ je vĀsledkom nesprĀvneho zobchĀdzĀnĀa alebo nedostĀtoĀnĀe ŭdrĀby
- vĀrobok, ktorĀ bol zmenĀny alebo upravĀny
- vĀrobok, v ktorom bol pŕvōdnĀe oznaĀenia (ochrĀnnĀ zĀrnĀka, sĀriōve ĀĀslo) zĀmenĀnĀ, zmenĀnĀe alebo odstrĀnenĀe
- akĀkovĀk poškōdenĀie spōsobĀnĀe nedodrĀznĀnĀm nĀvodŭ na obsluhu
- vĀrobok, na ktorĀ sĀ nevĀzŭhĀje oznaĀenie CE/UKCA
- vĀrobok, na ktorom došlo k pokŭsu o opravu zo strany neautorizovanĀho servisnĀho strediska alebo bez predchĀzĀjōceho povolenĀia TTI
- vĀrobok pripojenĀy k nesprĀvnemu zdroju nĀpĀjĀnĀa (ampĀry, nĀpĀtie, frekvencia)
- vĀrobok pouzĀvanĀy s nevhodnōu palĀivou zmesou (palivo, olej, pomer oleju)
- akĀkovĀk poškōdenĀie spōsobĀnĀe vonĀjšĀimi vplĀvmi (voda, chemickĀ, fyzĀkĀlnĀ, nĀrĀzy) alebo cudzĀmi lĀtkami
- beznĀe opotrebovanĀe nĀhrĀdnĀch dielov
- nevhodnĀe pouzĀtie, preĀatĀenie vĀrobkov
- pouzĀvanĀe nesvĀchĀlenĀho prislušenstva alebo dielov
- prislušenstvo elektrĀckĀho nĀrĀdĀa dodĀvĀnĀe s nĀrĀdĀi alebo zĀkupĀnĀe samostatne. TakĀto vylōĀnĀia zĀhrĀjĀjĀj okrem inĀho hrotŭ skrutkovaĀov, vĀrtĀk, abrazĀvne kōvĀky, brusnĀy papĀer a nōže, komponenty boĀnĀch
- vĀdĀicĀe systĀmŭ (diĀly a prislušenstvo), ktorĀe podliehĀjĀj nĀmĀrnĀmu opotrebovanĀu, okrem inĀho servisnĀe a ŭdrĀbĀve sĀbrĀv, ŭhĀvĀkĀe kĀbĀly, loziskĀ, sklĀvovĀdĀĀe, nastavĀce alebo ŭchytĀnĀe vĀrtĀkov bez vĀrtĀky SDS, nĀpĀjĀcie kĀbĀly, pomocnĀe dĀrĀzĀ, sprĀvĀnĀe kŭrĀtky, brusnĀe tĀnĀrie, vĀrĀka na prĀch, trubicĀe na ohrĀdnĀtie prĀchu, piŀstĀnĀe pozhĀvĀky, kŭlĀky a prŭnĀjĀy rĀzovĀch ŭtkovĀvĀch, ŀdĀvĀnĀe gomĀlky na prĀdĀĀevĀnĀie cĀvĀk, ĀnĀcie remĀnĀe, spojĀky, nōže vĀrĀbnĀch alebo kosĀkĀk na trĀvu, kĀbĀvĀe zĀrĀky, plynĀvĀ kĀbĀly, hrotŭ, ŀažnĀe kŭlĀky, ventilĀtĀrĀj fŭkĀĀov, trubicĀe fŭkĀĀov a vĀsĀvĀĀov, vĀrĀckĀ a popruhy vĀsĀvĀĀov, vodiĀce tyĀe, pilnĀvĀe ŀadĀce, hadĀice, spojĀvĀke armĀtŭry, rozprĀsĀĀvĀce tyĀky, koleca, rozprĀsĀvĀce tyĀe, vĀnĀdnĀe vĀlce, vonĀjšĀie kŭvĀky, rezĀcie liĀty, zapĀlĀvĀcĀie svĀieĀky, vĀzduchĀvĀe filtre, plynĀvĀe filtre, mŭlĀvĀnĀce nōže, atĀ.

4. Na ŭĀelĀ zĀrĀdnĀho servĀsu musĀ bytĀ vĀrobky po vzniknutĀi alebo rozpoznanĀi chyby spracovĀnĀe alebo materiĀlu bez zbytnĀchŭ odklĀdŭ odosĀnĀe alebo predloženĀe autorizovanĀmu servisnemu partnerju RYOBI uvedenĀmu na vebowej strĀnke <https://www.ryobitools.eu>. SpotrebĀtĀelĀ mōžu zĀiskĀtĀ vĀrĀky v rĀmĀ zĀrukŭ od servisnĀho partnerĀ spoločnōsti RYOBI

a. kontaktovanĀm predĀcu, u ktorĀho bol nĀkup ŭskŭtĀĀenĀy; alebo b. registrĀciĀu prostredĀctvom platformy slŭbĀch dostupnej na komĀernej vebowej strĀnke spoločnōsti RYOBI <https://www.ryobitools.eu>. Dostupnōst procesu sĀ mōže v jednotlivĀch krajĀnĀch lĀstĀ.

Pri odosĀlanĀi vĀrobku autorizovanĀmu servisnemu partnerju RYOBI musĀ bytĀ vĀrobok bezpĀne zabĀlenĀy bez nebezpeĀnĀho obĀhu (podrobnōsti nĀjdĀte v bezpeĀnĀostnĀch pokynoch na vebowej strĀnke <https://www.ryobitools.eu>), oznaĀenĀy adresou odosĀlateĀ a doplnĀny krĀtĀkĀy opisom chyby. UpozorŭjĀme, že v niektorĀch krajĀnĀch bude dodĀnĀo dodĀtĀnĀe zaplĀtĀj poplatky za doruĀenie alebo poštĀvne v sŭlĀde s miestnĀmi zĀvĀzŭjĀnĀmi postupmi. Ak Āi chcete ovĀrĀit, Āi sĀ takĀto poplatky uplatŭjĀjĀ, obrĀtĀte sĀ na miestne autorizovĀnĀe servisnĀe stredĀisko spoločnōsti RYOBI.

5. KeĀ dostĀneme vĀrobok, o ktorom spotrebĀtĀelĀ tvrdĀ, že je chybĀnĀ, skontrolujeme ho. Ak sĀ chybĀ potvrdĀ, budŭ poskytnĀtĀe slŭžbu v rĀmĀci zĀruky, a to opravou chybĀnĀho vĀrobku alebo ich vĀmenou za bezchybnĀe diĀly podĀ ŭvĀzĀnĀ spoločnōsti TTI. Ak spoločnōst TTI odmĀrne opravĀt chybĀ alebo ak podĀ rozhodnĀia spoločnōsti TTI opravĀ zĀruku, bude dodĀnĀo rovnocennĀ nĀrĀdĀa. VymĀnenĀe vĀrobky alebo diĀly sĀ stanŭ majetkom spoločnōsti TTI. Všetky vĀrobky alebo vĀmĀny v rĀmĀci vĀsĀvĀj uvedenĀch zĀruk sŭ bezplatnĀe. Opravy alebo vĀmĀny vykonĀvĀnĀe spoločnōstou TTI nepredstavĀjĀj rozšĀrenĀe alebo novĀ zĀĀiatĀ zĀruk. VymĀnenĀe nĀhrĀdnĀe diĀly podliehĀjĀj pŕvōdnĀe poskytnĀvanĀm zĀrukĀm a zĀrĀdnĀe lĀta sĀ skonĀĀ sŭčasne so zĀrĀnĀm lehotou, ktorĀ bola pŕvōdnĀe poskytnŭtĀ pre celĀ vĀrobok.

6. ZĀruky RYOBI poskytĀje spoločnōst Technonic Industries GmbH, Max-Eyth-Str.10, 71364 Winnenden, NemĀcko, Āa spotrebĀtĀelĀ, ktorĀ pŕvōdnĀe zĀkupĀl vĀrobok a nesŭmĀ bytĀ pripĀsĀnĀ inĀmu spotrebĀtĀelĀvi ani na neho prevĀrenĀ.

7. ZĀruky sŭ plĀnĀe v rĀmĀci Eurōpskeho hospōdĀrskĀho priestoru (EHP), ŀvĀjĀckĀrsĀka a SpojĀnĀeho kĀrĀovĀstĀ. Mimo tĀchto zĀrĀkĀ mōžete kontaktovĀt predĀcu, u ktorĀho sĀ ŭskŭtĀĀenĀ kŭp, a zĀstĀt, ŀi sĀ uplatŭjĀte inĀ dobrovŕnĀ zĀruka.

AUTORIZOVĀNĀE SERVISNĀE STREDĀSKO

Všetky zĀdĀstĀe alebo problĀmy s vĀrobkom mōže adresovĀt miestnĀm autorizovanĀm servisnĀm stredĀiskĀm (navĀstĀve www.ryobitools.eu) alebo priamo na: Technonic Industries GmbH, Max Eyth Straße 10, 71364 Winnenden, Germany. Uvedte sĀriōvĀe ĀĀslo a typ vĀrobku uvedenĀe na etĀetke.

ВГ УСЛОВИЯ ЗА ПРИЛАГАНЕ НА ГАРАНЦИЯТА НА RYOBI

В допълнение към всички законови права, произтичащи от покупката на продукта, и без да се засягат законови права, които се прилагат независимо и безплатно, всички нови електроинструменти и/или градни инструменти с марката RYOBI, посочени на нашия уеб сайт, с изключение на аксесоари за инструменти, системи за съхранение на инструменти и резервни части, както е описано по-долу („Продукт“), са обхванати от доброволна гаранция, издадена от Technonic Industries GmbH („ТТІ“) при условията, посочени по-долу („Гарантия“).

Гарантията е приложима само за купувач(и), който(ито) закупува(т) продуктите като крайн(и) потребител(и) в частното си потребление („Потребител“). Търговецът на дребно, фирмите за отдаване под наем, както и професионалните крайни потребители са изрично изключени от тези общи условия на гаранцията. За професионалните крайни потребители може да е приложим друг вид доброволна гаранция за определени(и) продукт(и), ако това е изрично посочено на уеб сайта www.ryobitools.eu. Попозаваното на тази доброволна Гаранция не ограничават законовите права на Потребителя в случай на дефект.

1. Стандартната гаранция („Стандартна гаранция“), при условие че Продуктът е закупен само за лична употреба, в със срок от 24 месеца („Стандартен гаранционен период“) и започва да тече от датата на закупуване на продукта. Тази дата трябва да бъде документирана с фактура или друг документ за покупка, за да бъде Стандартната гаранция валидна и приложима. Тази Стандартна гаранция се отнася и само за нови(и) Продукт(и).
2. Потребителите в някои държави може да имат възможност да удължат срока на Стандартната гаранция за Продукт(и) отоворидно на условията, след изтичането на срока на Стандартната гаранция, като се регистрират на уеб сайта www.ryobitools.eu. Допустимите за разширена гаранция („Разширена гаранция“) е посочена на оповестката на Продукта, на уеб сайта www.ryobitools.eu и/или се съдържа в документацията на съответния Продукт на адрес <https://www.ryobitools.eu>. За да се възползват от Разширената гаранция, Потребителите трябва да регистрират своите(и) Продукт(и) онлайн в рамките на 30 календарни дни от датата на покупката, за да се възползват от тази Разширена гаранция. Цялата лична информация на Потребителя се обработва в съответствие с декларацията за поверливост, която може да намерите тук <https://uk.ryobitools.eu/footer-links/privacy-policy/>. Разширената за потвърждение на покупката, която се извършва по имейл и оригиналната фактура, в която е посочена датата на покупката, че служи като доказателство за Разширената гаранция.
3. Стандартната гаранция и Разширената гаранция („Гарантии“) са ограничени до ремонт или замяна на дефектния Продукт по преценка на ТТІ, при условие че дефектът в изработката или материала е съществувал към датата на покупката. Не могат да се претендират допълнителни разходи или загуби. Освен това Гаранциите не се прилагат за:
 - всяка щета, причинена случайно, умислено или по небрежност от Потребителя
 - всяка повреда на Продукта, която е резултат от неправилно третиране или липса на поддръжка
 - всеки Продукт, който е бил променен или модифициран
 - всеки Продукт, чийто оригинални идентификационни маркировки (търговска марка, серийен номер) са били повредени, променени или премахнати
 - всякакви щети, причинени от неспазване на ръководството за експлоатация
 - Продукти, които не подлежат на маркировка CE/LCA
 - всеки Продукт, за който е бил направен опит да бъде ремонтиран от неоторизиран сервизен център или без предварително разрешение от ТТІ
 - всеки Продукт, свързан с неподходящо електрозахранване (ампер, напрежение, честота)
 - всеки Продукт, използван с неподходяща горивна смес (гориво, масло, съотношение на маслото)
 - всякакви повреди, причинени от външни въздействия (вода, химикали, физически въздействия, удари) или чужди вещества
 - нормално износване на резервните части
 - неподходяща употреба, претоварване на Продукт(и)те
 - използване на необорудни аксесоари или части
 - аксесоари за електроинструменти, предоставени с инструмента или закупени отделно. Такива изключения включват, но не се ограничават до, найкрайни, за винтоверти, средта, абразивни дискове, шкурки и остриета, странични направляващи
 - компоненти (части и аксесоари), които подлежат на нормално износване, включително, но не само, комплекти за обслужване и поддръжка, вътрешни четки, лагери, патронки, присагива или приемици за SDS средта, зарежани батерии, помощна дръжка, трансферен кубур, шифрована плоча, торба за прах, торба за отстраняване на прах, филтърна щайба, щифтове и пружини за ударни гайворти, ударни булери, задвижвания механизми, съединители, ограничители или кошчици за трева, колан, кабел за газ, набъбни ножове, щифтове за вентили, маркучи за издуване и засмукване, торба за засмукване и ремъци, водички за шини, вериги за трюни, маркучи, конектори фитинги, разпръсвачи дюза, копела, пръскачки, вътрешни макарки, външни макарки, линии за зарядване, запалителни свещи, въздушни филтри, газови филтри, лопати за мулчиране и още.
4. За гаранционно обслужване Продукт(и)те трябва да бъдат(а) изпратен(и) или представен(и) без неадекватно забавяне след повата или признаването на дефекта в изработката или материала на оторизиран сервизен партньор на RYOBI, посочен на следния уеб сайт <https://www.ryobitools.eu/>. Потребителите могат да получат услугите по Гаранцията от сервизен партньор на RYOBI, като:
 - a. се свържат с търговеца на дребно, където е направена покупката; или
 - b. с регистрация чрез платформата за услуги, дадена на търговската уеб страница на RYOBI <https://www.ryobitools.eu>, като достъпността на процеса може да варира в различните държави.При изпращане на Продукт(и) за отстраняване на дефекта, Потребителите трябва да бъде безопасно опакован без всяка съществена (за поддръжката) моля, вклетте инструменти за безопасност на уеб сайта <https://www.ryobitools.eu/>, маркиран с адреса на изпращача и придружен(и) кратко описание на дефекта. Моля, имайте предвид, че в някои държави таксите за доставка или пощенските разходи трябва да бъдат заплатени от изпращача в съответствие с местната практика. Моля, консултирайте се с местния оторизиран сервизен център на RYOBI, за да потвърдите дали се прилагат такива такси.

5. При получаване на Продукта, за който Потребителът тържи, че е дефектен, той трябва да бъде проверен. Когато дефектът е потвърден, услугите по Гаранциите ще се предоставят чрез ремонт на дефектните части на продуктите или замяната им с изпращачи части по преценка на ТТІ. Ако ТТІ откаже да отстрани дефекта или ако, по преценка на ТТІ, ремонтът е неуспешен, на Потребителя ще бъде предоставен равностоен продукт за замяна. Замянените(и) Продукт(и) или част(и) ще станат(а) собственост на ТТІ. Всяка поразващана съгласно поръчките(и) Гаранция е безплатна. Ремонтът/замяната, извършени от ТТІ, не представляват удължаване или ново начало на Гаранцията. Заменените резервни части са предмет на първоначално предоставените Гаранции, които срокти на Гаранциите приличват със срока на Гаранцията, която първоначално е била предоставена за цялостния продукт.
6. Гаранциите на RYOBI се предоставят от Technonic Industries GmbH, Max-Eyth-Str. 10, 71364 Winnenden, Германия, само на Потребителя, който първоначално е закупил Продукта, и не могат да бъдат прехвърляни или протестирани.
7. Гаранциите са валидни в Европейското икономическо пространство (ЕИП), Швейцария и Обединеното кралство. Извън тези области, моля, свържете се с търговеца на дребно, където е направена покупката, за да разберете дали се прилага друга доброволна гаранция.

ОТРИЗАНИОН СЕРВИЗЕН ЦЕНТЪР

Всички заявки или проблеми, свързани с продукта, могат да бъдат отпращани към местните упълномощени сервизни центрове (<https://www.ryobitools.eu>) или директно до: Technonic Industries GmbH, Max Eyth Straße 10, 71364 Winnenden, Germany. Посочете серийния номер и типа на продукта, отечатани върху етикета.

УК УМОВИ НАДАНА ГАРАНТИЯ RYOBI

Разом с буд-ицими законними правими, що виникати у зв'язку з придбанням товару, і без обмеження законних прав, застосовувани незалежно і безплатно, на всі зазначені на нашому вебсайті нові електроінструменти та/або садові інструменти марки RYOBI, за винятком допоміжних пристроїв, систем зберігання інструментів і запасних частин, як зазначено нижче («Товар»), поширюється добровільна гарантія, надана компанією Technonic Industries GmbH («ТТІ»), відносно до викладених нижче умов і положень («Гарантія»).

Гарантія поширюється лише на покупця(ів), які купують продукцію в статусі кінцевого користувача — споживача («Споживач»). Продавці торгівлі, а також кінцеві користувачі для професійного застосування в якій формі вживаються з цих загальних положень та умов Гарантії. До певних(их) товару(ів) для кінцевих користувачів для професійного застосування може застосовуватися інший тип добровільної гарантії, якщо це в явній формі зазначено на вебсайті www.ryobitools.eu. Застосування цієї добровільної гарантії не обмежується законами прав Сполученої у країн наявності дефекту.

1. За умови, що Товар придбано відносно для індивідуального використання, стандартна гарантія («Стандартна гарантія») має термін від 24 місяці («Стандартний гарантійний термін») і починається з дати придбання Товару. Цей Стандартна гарантія набула чинності та мала юридичну силу, ця дата повинна бути підтвержена računom-фактурою або іншим документом, що підтверджує факт придбання. Також ця Стандартна гарантія поширюється лише на новий(и) вироб(и)в.
2. В деяких країнах Споживачі можуть мати можливість продовжити Стандартну гарантію на відповідні Товари після закінчення терміну дії Стандартної гарантії, зареєструвавшись на вебсайті www.ryobitools.eu. Інформація про відповідність Товарів розширеним гарантії («Розширена гарантія») вказана на вебсайті Товару, на вебсайті www.ryobitools.eu та/або наведено в відповідній документації до Товару за адресою <https://www.ryobitools.eu/>. Щоб скористатися Розширеною гарантією, Споживачі мають зареєструвати свій(сво) Товар(и) онлайн протягом 30 календарних днів з дати покупки. Біз персональні дані Споживача будуть оброблятися відповідно до заяви про конфіденційність, яку можна знайти за посиланням <https://uk.ryobitools.eu/footer-links/privacy-policy/>. Підтвердженням Розширеної гарантії є повідомлення про рестрацію, надіслане нами електронною поштою, та оригінал računom-фактури із зазначенням дати покупки.

3. Стандартна гарантія та Розширена гарантія («Гарантії») обмежують ремонт та/або заміною дефектного Товару на розсуд компанії ТТІ за умови, що дефект викликаний або матеріалу існую на дату придбання. Будь-які можливі додаткові витрати або збитки не підлягають відшкодуванню. Також Гарантія не поширюється на:
 - будь-яку шкоду, заподіяну Сполученим випадком, наведеном або з небрежності
 - будь-яке пошкодження Товару, що виникли в результаті неналежного поводження або відсутності технічного обслуговування
 - будь-який Товар, який був змінений або модифікований
 - будь-який Товар, на якому пошкоджено, змінено або видалено оригінальне ідентифікаційне маркування (товарозна марка, серийний номер)
 - будь-яке пошкодження, спричинені недотриманням інструкцій з експлуатації
 - Товари, які не підлягають під дію маркування CE/LCA
 - будь-який Товар, який намагався відремонтувати в неуповноваженому сервизному центрі або без попереднього узгодження з ТТІ
 - будь-який Товар, підключений до невідповідного джерела електроживлення (сила струму, напруга, частота)
 - будь-який Товар, який використовувався з невідповідною паливною сумішшю (паливо, олива, співвідношення палива та оливи)
 - будь-яке пошкодження, спричинені зовнішніми факторами (водою, хімічними речовинами, фізичними силами, механічними ударами) або сторонніми речовинами
 - нормальний знос запасних частин
 - неправильні використання, перенавантаження Товару(ів)
 - використання незатверджених допоміжних пристроїв або деталей
 - допоміжні пристрої до електроінструменту, наданого в комплекті з інструментом або придбаного окремо. Таки включення включають, але не обмежують, такім: бити для викруток, свердла, шліфувальні диски, надкапачки пилоти, бачки нап'яння

4. Комплексні(і) деталі та допоміжні пристрої, які підлягають нормального зносу, включачи, але не обмежують, такім: комплекти для обслуговування та ремонту, втульні штипи, лантини, патронки, цупкіти та дримми для середств SDS, шпирли механізми, допоміжні рушії, трансферні чохли та футляри, шліфувальне полотно, пилоси млини, шланги для відводу пилу, повстяні щайби, штифти та пружини для гайворти, наконічники, гвинти, привідні ремні, зчеплення, лопати, кувиртори або газозасмокоч, підвісна система, трасові дримми, зубці, зчепні штифти, вентилятор, вентилятори та вакуумні труби, вакуумні штипи та лоски, нап'являри штипи, липні лантини, шланги, амунира для з'єднання, розлимовані форсунок, таласи, пильні верстати, внутрішні чохли, зовнішні чохли, ріжучі волосіні, свичи запалювання, повітряні фільтри, паливні фільтри, лопати для мулчування тощо.
5. Для гаранційного обслуговування Товару(и) повинні бути відправлені або передані без неадекватної затримки після виявлення або виявлення дефекту викликаний або матеріалу уповноваженому сервизному партнеру RYOBI, перелік яких наведено на вебсайті <https://www.ryobitools.eu/>. Споживачі можуть отримати передатки Гарантію поштою від сервизного партнера RYOBI таким чином:
 - a. звернувшись до роздрібного продавця, де була здійснена покупка; або
 - b. зареєструвавшись через сервісну платформу, доступну на офіційному вебсайті RYOBI <https://www.ryobitools.eu/>. Доступність такого процесу може відрізнятися в залежності від країни.При відправленні Товару уповноваженому сервизному партнеру RYOBI він повинен бути надійно упакований та не мати небезпечного вмісту (допоміжні деталі, інструції з техніки безпеки на сайті <https://www.ryobitools.eu/>), з позначкою адреси відправника та стислим описом дефекту. Зверність увагу, що в деяких країнах вартість доставки або поштових витрат має бути сплачена відповідно відповідно до прийнятої місцевої практики. Щоб дізнатися, чи передбачена така оплата, зверніться до місцевого уповноваженого сервизного центру RYOBI.

6. Товар, про який Споживач заявляє як про дефектний, буде оглянутий після отримання. Якщо дефект буде підтверджено, передатки Гарантію поштою будуть надані шляхом ремонту дефектних частин виробу або заміни їх на недефектні частини на розсуд ТТІ. Якщо ТТІ відмовляється відремонтувати дефект або якщо, по розсуд ТТІ, ремонт інвентару неможливий, буде надана функціонуюча заміна. Зазначені(и) Продукт(и) або деталі, стисла власність ТТІ, будуть рентабельні відповідно до вищезазначеного гарантія є безплатними. Ремонти/замяни(и), виконані компанією ТТІ, не продовжують і не поновлюють термін дії Гарантії. На замінені запасні частини поширюється дія первісно наданих Гарантії, а термін дії Гарантії закінчується разом з терміном дії Гарантії, яка була первісно надана на товар в цілому.

7. Гарантія RYOBI надається компанією Technonic Industries GmbH, Max-Eyth-Str. 10, 71364 Winnenden, Germany (Вінненден, Німеччина), який Сполучивачі, який придбав Товар, і не можуть бути передані або переступлені.

8. Гарантія діє в Європейській економічній зоні (ЄЄЗ), Швейцарії та Сполученому Королівстві. Щоб дізнатися, чи буд-який інша добровільна гарантія за межами цих територій, зверніться до продавця, через якого була здійснена покупка.

УПОВНОВАЖЕНИЙ СЕРВІСНИЙ ЦЕНТР

З буд-ицими питання або проблем, пов'язаних з пристроєм, ви можете звернутися до місцевих авторизованих сервісних центрів (www.ryobitools.eu) або напрямку до: Technonic Industries GmbH, Max Eyth Straße 10, 71364 Winnenden, Germany. Будь ласка, вкажіть серийний номер та тип продукту, вказані на етикеті.

TR RYOBI GARANTİ UYGULAMA KOŞULLARI

Bir ürünün satın alınmasından doğan tüm yasal haklara ek olarak, bağımsız ve ücretsiz olarak geçerli olan yasal haklara hakedilmeğinizi ("Ürün") bölünmez ayrıntılı bir şekilde tanımladığı gibi, elde akseptuarlar, elde depolama sistemleri ve yetek parçaları haric olmak üzere web sitemizde listelenen tüm yeni RYOBI markalı elektrikli aletler veya başka aletler, aşağıda belirtilen hükümler ve koşullara ("Garanti") tabii olarak Technotic Industries GmbH ("TTI") tarafından verilen güvelli bir garanti kapsamındadır.

Garanti, yalnızca son kullanıcılar olarak ürünü satın alan tüketiciler ("Tüketici") için geçerlidir. Bayiler, kurulum şirketleri ve profesyonel son kullanıcılar, Garanti'nin bu genel hüküm ve koşullarından açıkça harihtir. Profesyonel son kullanıcıların için www.ryobitools.com web sitesinde açıkça belirtilmiş belirli ürünler için farkli bir güvelli garanti türleri geçerli olabilir. Bu güvelli Garanti'nin ihlali edilmesi, bir anlar durumunda tüketicinin yasal haklarını sınırlamaz.

1. Standart garanti ("Standart Garanti"), ürünün yalnızca özel kullanım için satın alınması koşuluyla, 24 ayk ("Standart Garanti Süresi") bir süreyle sahiptir ve ürünün satın alındığı tarihte başlar. Bu tarih, Standart Garanti'nin geçerli ve uygulanabilir olduğu bir faktura veya başka bir satın alma kanıtı ile belgelenmelidir. Ayrıca bu Standart Garanti yalnızca yeni Ürünler için geçerlidir.
2. Belirli ülkelerdeki tüketiciler, www.ryobitools.com web sitesine kaydolarak uygun Ürünler için Standart Garanti'yi, Standart Garanti süresini aşacak şekilde uzatabilirler. Ürünlerin uzatılmış garantisi ("Uzatılmış Garanti") için uygunluğu, Ürünün ambalajı üzerinde ve www.ryobitools.com web sitesinde belirtilir veya <https://www.ryobitools.com> adresinde bulunan ilgili Ürün belgelerinde yer alır. Uzatılmış Garanti'nin yararlanabilmek için Tüketicilerin bu Uzatılmış Garanti'nin faydalanmak amacıyla satını alsa tarihinden itibaren 30 takvim gününü Ürünlerin teslimi/ceviri/kayımlar kaydedilmesi gerekir. Bir Tüketicinin tüm kişisel bilgileri, <https://uk.ryobitools.eu/offer/ukprivacy-policy> adresinde bulunan gizlilik bildirimine uygun olarak işlenmektedir. E-posta ile gönderilen kayıt alındığı tarihi ve satını alma tarihini gösteren orijinal fatura, Uzatılmış Garanti'nin kanıtı olarak kullanılacaktır.
3. Standart Garanti ve Uzatılmış Garanti ("Garanti"), ürünün satın alındığı tarihte işkili veya malzeme arızasının oluşması halinde TTIN'ine takirime bağlı olarak arızalı Ürünün onarılması veya değiştirilmesi ile sınırlıdır. Başka maddeler veya kayıtlarla ilgili talepler bulunamaz. Ayrıca Garanti'nin sınırları için de geçerli değildir:
 - Tüketici tarafından bakım, kasten veya ihmalkar bir şekilde oluşan hasarlar
 - yanlış işlemler veya bakım yapılmamasından kaynaklanan Ürün hasarları
 - değiştirilmiş veya modifiye edilmiş Ürünler
 - orijinal tanımlama (ticari marka, seri numarası) işaretlerinin tahrif edildiği, değiştirildiği veya çıkarıldığı Ürünler
 - talimat kılavuzuna uyulmaması nedeniyle oluşan hasarlar
 - CE/UKCA işaretine tabii olmayan Ürünler
 - yetkili olmayan bir servis merkezi tarafından veya TTIdan önceden izin alınmadan onarılmaya çalışılmış Ürünler
 - uygun olmayan güç kaynağına (amper, voltaj, frekans) bağlı Ürünler
 - uygun olmayan yakıt karışımına (yakıt, yağ, yağ oranı) kullanılan Ürünler
 - dış etkilerin (su, kimyasal, fiziksel, şoklar) veya yabancı maddelerin neden olduğu hasarlar
 - yetek parçaların normal aşınması ve yıpranması
 - uygun olmayan kullanımı, Ürünlerin aşırı yüklenmesi
 - onarılmamış aksesuarların veya parçaların kullanılması
 - alet ile birlikte verilen veya ayrı olarak satın alınan elektrikli alet aksesuarları. Tomarvida uçları, matkap uçları, parçalar, dişliçler, zımpara kağıdı ve bıçaklar, yalıtım kılavuz dahil ancak bunlarla sınırlı olmamak üzere bu tür haric brakılan parçalar
 - servis ve bakım kilitleri, karbon fırçalar, rulmanlar, torna aynası, SDS matkap ucu eklentisi veya alıcısı, güç kablosu, yarıdım tutamak, taşıma çantası, zımpara plakası, toz torbası, toz egzoz borusu, keçe rondelalar, darbeli anahtar pimlen ve yayları, çiknildi düğmeler, tahrik kayışları, debriyaj, çik dizelcililerin veya çik biçme makinelirinin bıçakları, kuşam askılık, çak tel, çatal dişli, çik demir kilit pimlen, üfleme makinesi fanları, üfleme ve vakum makinesi boruları, vakum torbası ve kısıyılar, kılavuz çubukları, testere zincirleri, hortumlar, kesme tekerlekleri, püskürtme nozları, tekerlekler, püskürtme çubukları, dahil makaralar, hortulı makaralar, konnektör burlar, bujiler, hava filtresleri, çak filtresleri, malçlama bıçakları vb. dahil ancak bunlarla sınırlı olmamak üzere normal aşınmaya ve yıpranmaya maruz kalan bileşenler (parçalar ve aksesuarlar).
4. Garanti servis işkili için, işkili veya malzeme arızasının meydana gelmesinden veya fark edilmesinden sonra Ürünler, fazla geçkileme web sitesinde listelenen yetkili RYOBI servis ortağına gönderilmesi veya sunulmalıdır: <https://www.ryobitools.eu>. Tüketiciler, Garanti'lerin kapsamında bulunan servisleri RYOBI servis ortağından a. satını alma işkili'nin yapıldığı bayi ile iletişime geçerek veya:
 - b. RYOBI Commercial web sayfasında (<https://www.ryobitools.eu>) bulunan servis platformu aracılığıyla kaydolarak alabilirler, sürecin kalite bantlırlığı için de ilave ölkeye değışiklik gösterebilir.Bir Ürün yetkili bir RYOBI servis ortağına gönderirken Ürün, gönderinin adresi belirtilerek ve ayrıca ilgili bayi ile açıklanmaya birlikte teslimat işkili ("ayrıntılı işkili lütfen <https://www.ryobitools.eu> adresindeki web sitesinde bulunan güvelli talimatlarına bakın) olmadan güvelli bir şekilde paketlenmelidir. Bazı ülkelerde teslimat veya posta ücretlerinin yerel uygulamaya göre gönderen tarafından ödemesi gerektiğini lütfen unutmayın. Bu tür ücretlerin yerel uygulamaya gönderilmek için lütfen yerel yetkili RYOBI servis merkezine danışın.

5. Tüketici tarafından arızalı olduğu iddia edilen Ürün teslim alındıktan sonra incelenecektir. Anlaşmazlıklarında, Garanti'nin kapsamında servisleri, TTIN'ine takirime bağlı olarak, ürünün arızalı parçaların onarılması veya arızalı aletlerin parçalarının değiştirilmesi yoluyla sağlanacaktır. TTK, arızalı onarımı reddederse veya TTIN'ine takirime olanam basarsız sayılırsa e değir bir parçaya değışik sağlanacaktır. Değıştirilen Ürünler veya parçaları TTIN'ine mülkeliyede olacaktır. Yukarıdaki Garanti'nin kapsamında yapılan tüm onarım/değışik işlemleri ücretsizdir. TTK tarafından gerçekleştirilen onarım/değışik işlemleri, Garanti'nin süresini uzatmaz veya Garanti'nin yeni bir başlangıç teşkil etmez. Değıştirilen yeni değışik parçaların başlangıç tarihleri Garanti'nin tabidir ve Garanti'nin süresi, ürünün tamamını için başlangıçta verilen Garanti süresi dolunca sona erer.
6. RYOBI Garanti'leri: Max-Eyth-Str. 10, 71364 Winnenden, Almanya adresinde Technotic Industries GmbH tarafından yalnızca Ürün işkili satın alana Türkiye yerel ve devredilemez veya atanamaz.
7. Garanti'ler Avrupa Ekonomik Alanları (AEA), İşkili ve Birleşik Krallıkta geçerlidir. Bu alanlar dışında, başka bir güvelli garanti onarımı geçerli olup olmadığını öğrenmek için lütfen satını alma işkili'nin yapıldığı bayi ile iletişime geçin.

YETKİLİ SERVİS MERKEZİ

Ürünle ilgili her tür talep ve sorun yerel yetkili servis merkezine (www.ryobitools.eu adresinde ziyaret edin) veya doğrudan aşağıdaki şekilde iletişilir: Technotic Industries GmbH, Max-Eyth Straße 10, 71364 Winnenden, Germany. Lütfen etikette yer alan seri numarasını ve ürün tipini belirtin.

EL ÖROİ EFAHMOĞHES EĞYHİŞES RYOBI

Ekτός από τo νόμιμο δικαιώματα που προκύπτουν από την αγορά ενός προϊόντος και με την επιφύλαξη των νόμιμων δικαιωμάτων που ισχύουν ανεξάρτητα και δωρεάν, όλα τα νέα ηλεκτρικά εργαλεία ή/και εργαλεία κήπου με την επωνυμία RYOBI που περιλαμβάνονται στον ιστότοπό μας, με εξαίρεση τα εξαρτήματα εργαλείων, τα συστήματα αποθήκευσης εργαλείων, και τα ανταλλακτικά, όπως περιγράφονται περαιτέρω στο («πρόσφυλο»), καλύπτονται από προαιρετική εγγύηση που έχει εκδοθεί από την Technotic Industries GmbH («TTI»), σύμφωνα με τους όρους και τις προϋποθέσεις που αναφέρονται παρακάτω (εγγύηση).

Η εγγύηση ισχύει μόνο για τους αγοραστές που αγοράζουν τα προϊόντα ως τελικοί χρήστες από την ιδιότητα τους ως καταναλωτές («καταναλωτής»). Οι έμποροι λιανικής, οι εταιρείες συντήρησης, καθώς και οι επαγγελματίες τελικοί χρήστες εξαρτώνται από τους πρόχοντες γενικούς όρους και προϋποθέσεις της εγγύησης. Για τoς επαγγελματίες τελικούς χρήστες, μπορεί να υπάρχει διαφορετικό είδος προαιρετικής εγγύησης για ορισμένα προϊόντα, εάν αυτό προβλεφθεί τμήρα στον ιστότοπό μας www.ryobitools.eu. Η επικάλυψη αυτής της προαιρετικής εγγύησης δεν περιορίζει τo νομικό δικαίωμα τo καταναλωτή σε περίπτωση ελαττώματος.

1. Η τυπική εγγύηση («Τυπική Εγγύηση»), υπό την προϋπόθεση ότι τo προϊόν αγοράζεται αποκλειστικά για ιδιωτική χρήση, έχει διάρκεια 24 μηνών («Τυπική περίοδος εγγύησης») και αρχίζει την ημερομηνία αγοράς τo προϊόντος. Αυτή η ημερομηνία πρέπει να τεκμηριωθεί μέσω η-μαilli ή άλλης αποδείξης αγοράς, προκειμένου η τυπική εγγύηση να είναι έγκυρη και εκτελεστέα. Αυτή η τυπική εγγύηση ισχύει επίσης μόνο για νέα προϊόντα.
2. Οι καταναλωτές σε ορισμένες χώρες ενδέχεται να είναι σε θέση να επεκτείνουν την τυπική εγγύηση για επιπλέον προϊόντα πέραν της περιόδου της τυπικής εγγύησης, κάνοντας εγγραφή στον ιστότοπό μας www.ryobitools.eu. Η επέκταση τoν προϊόντων για την επέκταση εγγύησης («επεκτεταμένη εγγύηση») καθορίζεται από τους όρους της προϋπόθεσης στον ιστότοπό μας www.ryobitools.eu. Η/και περιλαμβάνεται στη σχετική τεκμηρίωση τo προϊόντος στον ιστότοπό μας <http://www.ryobitools.eu>. Για να επιβεβαιώσετε από την επέκταση εγγύησης, οι καταναλωτές πρέπει να εγγραφούν τo προϊόντα τους ηλεκτρονικά εντός 30 ημερολογιακών ημερών από την ημερομηνία αγοράς για να επιβεβαιωθούν από την εν λόγω επέκταση εγγύησης. Όλα τa προσωπικά στοιχεία είναι αναπόσπαστα και υποβάλλονται σε επεξεργασία σύμφωνα με τη δήλωση απορρήτου, την οποία μπορείτε να βρείτε εδώ <https://uk.ryobitools.eu/offer/ukprivacy-policy/>. Η αποδείξη επιβεβαίωσης εγγραφής, η οποία αποστέλλεται μέσω e-mail, και το αρχικό τμήμα που δείχνει την ημερομηνία αγοράς θα χρησιμοποιούνται ως αποδείξη της επέκτασης εγγύησης.
3. Η τυπική εγγύηση και η επέκταση εγγύησης («εγγύηση») περιλαμβάνει στην επισκευή ή/και αντικατάσταση του ελαττωματικού προϊόντος, κατά τη διακριτική ευχέρεια της TTI, υπό την προϋπόθεση ότι τo ελαττωματικό στοιχείο ή τo σφάλμα υπάρχει κατά την ημερομηνία αγοράς, δεν μπορούν να ζητηθούν περαιτέρω βεβαιώσεις ή ισχυρισμοί. Επιπλέον, η εγγύησης δεν ισχύει για:
 - Αποσπώμενα ζυμια προκλήβη κατά λάθος, εκκεμωτή ή από αμέλεια από τον καταναλωτή
 - Αποσπώμετα ζυμια στο προϊόν που οφείλεται σε ακατάλληλη μεταχείριση ή έλλειψη συντήρησης
 - Αποσπώμετα προϊόν έξι αλλοιωθέν ή τροποποιηθέν
 - Αποσπώμετα ζυμια στο οποίο οι αγοραστές αναγνωρίζουν σημάδια (εμπορικό σήμα, αριθμός σειράς) έχουν αλλοιωθεί, τροποποιηθεί ή ωραροβεί
 - Αποσπώμετα ζυμια προκλήβη από τo τμήμα τo χειριζόμενο οδηγών
 - Προϊόντα που δεν υπόκεινται σε επίσημο CE/UKCA
 - Αποσπώμετα προϊόν τoυ έχει επηρεαστεί να επισκευαστεί από ένα εξουσιοδοτημένο κέντρο σέρβις ή χωρίς προηγούμενη έγκριση από την TTI
 - Αποσπώμετα προϊόν συνδέεται σε ακατάλληλη παροχή ρεύματος (αμπερ, τάση, συχνότητα)
 - Αποσπώμετα προϊόν τoυ χρησιμοποιήθηκε με ακατάλληλο μέγιστο καύσιμο (καύσιμο, λάδι, αναλογία λαδιού)
 - Αποσπώμετα ζυμια τροποποιήθηκε από εξωτερικούς καύσιμα (νερό, χημικά, αναμειγμένο δύναμη, τριαντάφυλλο) ή ξένες ουσίες
 - Φυσιολογική φθορά και σκίσιμο ανταλλακτικών
 - Ακατάλληλη χρήση, υπερθέρμανση των προϊόντων
 - Χρήση μη εγκεκριμένων ανταλλακτικών ή εξαρτημάτων
 - Εξαρτήματα ηλεκτρικών εργαλείων που διατίθενται με τo εργαλείο ή πλοκάμινα ξεχωριστά. Τέτοιες εξαρτήσεις περιλαμβάνονται, μεταξύ άλλων, μύτες κατασθαιδίων, τριαντάφυλλο, διακόσις λειανήσης, γυαλοχάρτι και λειπέδες, πλαστικό οδηγό
 - Εξαρτήματα (ανταλλακτικά και εξαρτήματα) τo οποία υπόκεινται σε φυσιολογική φθορά, που περιλαμβάνονται, μεταξύ άλλων, κλιμακωτή και σέρβις, ψήφους άθροισμα, ρολόκι, τσιος, προσαρμοστή ή υποδοχή τριαντάφυλλο SDS, καλώδιο συντήρησης, βαφή/βελόνες, βίλη μεταφοράς, πλέγμα, σπαστήρα, σκόνος αναδρόμησης, σωλήνας ελαστικής σκόνης, βότσλας, πέριος και κλάση μαλακή σκόνης, κομπίνα γυαλισμού, μύτης μετρήσης κίνησης, συμπιεστής, λειπέδες για προπονομομάδα ή γυακοκόμο, έδραση, καλώδιο κύκλισης, λειπέδες, προέτοιμες συνθήσεις, αναστήρες, σωλήνες φωτιστήρα και αναρροφήση, σκάκις κενού και μύτης, ραβδόβος οδηγήσης, αλυσίδα προκίμο, εύκαμπτος σωλήνας, εξαρτήματα συνδέσεων, ακροφύσια κοπής, τροχός, ραβδόβος ψακίμο, εσωτερικός τροχός, ελαστικός σέρβις, γραμμές κοπής, μπουζί, φίλτρα αέρα, φίλτρα αέρα, λειπέδες κοπής χορτοκοπτήσας κ.λπ.
4. Για την παροχή υπηρεσιών εγγύησης, τa προϊόντα πρέπει να αποστέλλονται ή να παρουσιάζονται χωρίς αποδοκιμασία καθορισμένη κατά την έμφανση ή την αναγνώριση του ελαττώματος στην κατασκευή ή τo σφάλμα σε ένα εξουσιοδοτημένο συνεργείο σέρβις RYOBI που αναφέρεται στον παρακάτω ιστότοπο <https://www.ryobitools.eu>. Οι καταναλωτές μπορούν να λάβουν τις υπηρεσίες στο πλαίσιο των εγγύησης από ένα συνεργείο σέρβις της RYOBI με τους εξής όρους:
 - a. επισκευάζονται με τo κατάστημα λιανικής πωλήσης από όπου πραγματοποιήθηκε η αγορά ή
 - β. εγγραφή μέσω της Πληροφορικής υπηρεσιών που είναι διαθέσιμη στην εμπορική ιστοσελίδα RYOBI <https://www.ryobitools.eu>. Η διαδικασία αυτής της διαδικασίας ενδέχεται να διαφέρει από χώρα σε χώρα. Κατά την αποστολή ενός προϊόντος είναι εξουσιοδοτημένο συνεργείο σέρβις RYOBI, τo προϊόν θα σκευαστεί με ασφαλή τρόπο επιπλέον περιεχόμενα (για λεπτομέρειες, ανατρέξτε στις οδηγίες ασφαλείας στον ιστότοπό μας <http://www.ryobitools.eu>), θα επιστημασεί με τη διαδικασία τo αποστέλλεται και θα συνοδεύεται από σύντομη περιγραφή τo ελαττώματος. Λάβετε υπόψη ότι σε ορισμένες χώρες τα έξοδα αποστολής ή τo ταχυδρομικό τέλη θα πρέπει να καθορίζονται από τον αποστολέα σύμφωνα με την τοπική πρακτική. Συμψηφισμένο τo τοπικό εξουσιοδοτημένο κέντρο σέρβις RYOBI για να επιβεβαιωθεί εάν ισχύουν αυτές οι χρεώσεις.
5. Αφού παραλάβετε τo προϊόν τo καταναλωτής ισχυρίζεται ότι είναι ελαττωματικό, θα τo ελέγξετε. Μετά την επιβεβαίωση τo ελαττώματος, οι υπηρεσίες στο πλαίσιο των εγγύησης θα παρέχονται με την επεσχυή των ελαττωματικών μερών των προϊόντων ή με την αντικατάστασή τους από τo ελαττωματικά εξαρτήματα κατά τη διακριτική ευχέρεια της TTI. Εάν η TTI αρνηθεί να επιβεβαιώσει τo ελάττωμα ή εάν, κατά τη διακριτική ευχέρεια της TTI, η επεσχυή αποτύχει, θα παρασχεθεί ασόνδυνη ανταλλακτικά. Τα προϊόντα ή τa εξαρτήματα που αντικαταστάθηκαν θα περιέχονται στην διακριτική της TTI. Οποιαδήποτε επισκευή/αντικατάσταση στο πλαίσιο των παρόχοντων εγγύησης παρέχεται δωρεάν. Οι επισκευές/αντικατάστασεις που πραγματοποιούνται από την TTI δεν αποτελούν επέκταση ή εκ νέου έναρξη των εγγύησης. Τα ανταλλακτικά που αντικαταστάθηκαν καλύπτονται από τη εγγύησης τo εικόνα αρχικό δοθεί και η περίοδος εγγύησης λήγει με την περίοδο εγγύησης που είχε αρχικά δοθεί για ολόκληρο τo προϊόν.
6. Οι εγγύησης RYOBI παρέχονται από την Technotic Industries GmbH, Max-Eyth-Str. 10, 71364 Winnenden, Γερμανία, μόνο στον καταναλωτή που αγοράσε αρχικό τo προϊόν και δεν επιτρέπεται να μεταβιβαστεί ή να εκχυρήσει.
7. Οι εγγύησης ισχύουν για τον Ευρωπαϊκό Οικονομικό Χώρο (ΕΟΧ), την Ελβετία και τo Ηνωμένο Βασίλειο. Εκτός των περσιών αυτών, επισκευάζονται με τo κατάστημα λιανικής όπου πραγματοποιήθηκε η αγορά για να μόνε αν ισχύει κάποιο άλλη προαιρετική εγγύηση.

ΕΞΟΥΣΙΟΔΟΤΗΜΕΝΟ ΚΕΝΤΡΟ ΣΕΡΒΙΣ

Για αποδείξεις σήμα ή πρόβλημα με τo προϊόν μπορείτε να απευθύνεσθε στα τοπικά εξουσιοδοτημένα κέντρα σέρβις (επισκευάσει τη διεύθυνση www.ryobitools.eu) ή απευθείας στη διεύθυνση: Technotic Industries GmbH, Max-Eyth Straße 10, 71364 Winnenden, Germany. Αναφέρετε τον εσωρικό αριθμό και τον τύπο προϊόντος τo αναγράφονται στην ετικέτα.

EN EC DECLARATION OF CONFORMITY**Cordless Circular Saw**Brand: RYOBI | Manufacturer¹ | Model number² | Serial number range³

We declare as the manufacturer under our sole responsibility that the product mentioned below fulfills all the relevant provisions of the following European Directives, European Regulations and harmonised standards⁴

Authorised to compile the technical file:⁵**FR DÉCLARATION CE DE CONFORMITÉ****Visseuse Scie Circulaire**Marque: RYOBI | Fabricant¹ | Numéro de modèle² | Étendue des numéros de série³

Nous déclarons, en qualité de fabricant, sous notre entière responsabilité, que le produit mentionné ci-dessous remplit toutes les dispositions pertinentes des directives et réglementations européennes suivantes, ainsi que des normes harmonisées⁴

Autorisé à rédiger le dossier technique:⁵**DE EG-KONFORMITÄTSERKLÄRUNG****Kabellose Akku-Kreissäge**Marke: RYOBI | Hersteller¹ | Modellnummer² | Seriennummernbereich³

Wir als Hersteller erklären in alleiniger Verantwortung, dass das nachstehend erwähnte Produkt allen einschlägigen Bestimmungen der folgenden EU-Richtlinien, EU-Verordnungen und harmonisierten Normen entspricht⁴

Autorisiert die technische Datei zu erstellen:⁵**ES DECLARACIÓN CE DE CONFORMIDAD****Inalámbrica Sierra Circular**Marca: RYOBI | Fabricante¹ | Número de modelo² | Intervalo del número de serie³

Como fabricante, declaramos, bajo nuestra exclusiva responsabilidad, que el producto mencionado a continuación cumple con todas las disposiciones relevantes de las siguientes directivas, normas armonizadas y reglamentos europeos⁴

Autorizado para elaborar la ficha técnica:⁵**IT DICHIARAZIONE CE DI CONFORMITÀ****Senza Fili Sega Circolare**Marca: RYOBI | Ditta produttrice¹ | Numero modello² | Gamma numero seriale³

In qualità di produttori, dichiariamo, sotto la nostra esclusiva responsabilità, che il prodotto descritto di seguito otterrà a tutte le pertinenti disposizioni delle seguenti direttive europee, normative europee e dei seguenti standard armonizzati⁴

Autorizzato per compilare il file tecnico:⁵**NL EG-VERKLARING VAN OVEREENSTEMMING****Snoerloze Cirkelzaagmachine**Merk: RYOBI | Fabrikant¹ | Modelnummer² | Seriennummerbereik³

Wij verklaren naar onze eigen verantwoordelijkheid als fabrikant, dat het hieronder genoemde product voldoet aan alle relevante bepalingen van de volgende Europese Richtlijnen, Europese verordeningen en geharmoniseerde normen⁴

Afgevaardigde voor het samenstellen van de technische fiche:⁵**PT DECLARAÇÃO CE DE CONFORMIDADE****Sem Fios Serra Circular**Declaramos na qualidade de fabricante e sob nossa exclusiva responsabilidade que o produto mencionado abaixo cumpre todas as disposições aplicáveis das seguintes diretivas, regulamentos e normas harmonizadas da União Europeia⁴Autorizado para compilar o ficheiro técnico:⁵**DA EF-OVERENSSTEMMELSESEKTLÆRING****Akku-Rundsav**Brand: RYOBI | Producent¹ | Modelnummer² | Seriennummerområde³

Vi erklærer som fremstiller under eget ansvar, at produktet nævnt nedenfor opfylder alle de relevante forskrifter i de følgende europæiske direktiver, europæiske forordninger og harmoniserede standarder⁴

Bemyndiget til at udarbejde det tekniske kartotek:⁵**SV EG-FÖRSÄKRAN ÖVERENSSTÄMMELSE****Sladdlös Cirkelsåg**Märke: RYOBI | Tillverkare¹ | Modellnummer² | Seriennummerintervall³

Vi som tillverkare förklarar under eget ansvar att den produkt som nämns nedan uppfyller alla relevanta föreskrifter i följande europeiska direktiv, europeiska förordningar och harmoniserade standarder⁴

Godkänd att sammanställa den tekniska filen:⁵**FI EY-VAATIMUSTENMUKAISUUSVAKUUTUS****Johdoton Iskurokone Pyörösaha**Tuotemerkit: RYOBI | Valmistaja¹ | Mallinumero² | Sarjanumeroräde³

Valmistajana vakuutamme alla mainitun tuotteen täyttävän seuraavien eurooppalaisten direktiivien, asetusten ja yhdenmukaistettujen standardien kaikki asiaankuuluvat vaatimukset⁴

Valtutettu kokoomaan tekninen tiedosto:⁵**NO CE-SAMSVARERKLÆRING****Johdoton Sirkelsag**Merke: RYOBI | Produsent¹ | Modellnummer² | Seriennummerserie³

Vi erklærer, som produsent, på eget ansvar at produktet beskrevet nedenfor oppfyller alle de relevante bestemmelserne i de europeiske direktiver, europeiske forskrifter og harmoniserte standarder⁴

Autorisert til å sette sammen den tekniske filen:⁵**RU ДЕКЛАРАЦИЯ О СООТВЕТСТВИИ СТАНДАРТАМ ЕС****Беспроводная Циркулярная Пила**Марка: RYOBI | Изготовитель¹ | Номер модели² | Диапазон заводских номеров³

Со всей ответственностью как производитель заявляем, что нижеупомянутое изделие отвечает всем соответствующим положениям следующим европейским директивам, европейским регламентам, а также гармонизированным стандартам⁴

Лицо, ответственное за подготовку технической документации:⁵**PL DEKLARACJA ZGODNOŚCI WE****Akumulatowa Piłarka Tarczowa**Marka: RYOBI | Producent¹ | Numer modelu² | Zakres numerów seryjnych³

Jako producent oświadczamy na własną odpowiedzialność, że produkt opisany w sekcji „Specyfikacja” spełnia wszystkie istotne postanowienia wymienionych poniżej dyrektyw UE, przepisów europejskich oraz norm harmonizowanych⁴

Osoba upoważniona do sporządzenia dokumentu technicznego:⁵**CS ES PROHLÁŠENÍ O SHODĚ****Bezdrátová Okružní Pila**Značka: RYOBI | Výrobce¹ | Číslo modelu² | Rozsah sériových čísel³

Jako výrobce prohlašujeme výhradně na vlastní odpovědnost, že náš uvedený výrobek splňuje všechna příslušná ustanovení evropských směrnic, evropských nařízení a harmonizovaných norem⁴

Pověření ke kompilaci technického souboru:⁵**HU EK-MEGFELELŐSÉGI NYILATKOZATA****Akkumulátoros Körfűrés**Márka: RYOBI | Gyártó¹ | Típuszám² | Sorozatszám tartomány³

Gyártóként kizárólagos felelősségünk tudatában nyilatkozunk, hogy az alább említett termék megfelel a következő európai irányelvek, szabványosok és harmonizált szabványok vonatkozó rendelkezéseinek⁴

A műszaki dokumentáció összeállítására felhatalmazott:⁵**RO DECLARAȚIE DE CONFORMITATE CE****Ferăstrău Circular La Fără Fir**Marcă: RYOBI | Producător¹ | Număr serie² | Gamă număr serie³

În calitate de producător, declaram pe proprie responsabilitate că produsul menționat mai jos îndeplinește toate prevederile relevante ale directivelor Uniunii Europene, ale Regulamentelor UE și standardele armonizate⁴

Autorizat să completeze fișa tehnică:⁵**LV EK ATBILSTĪBAS DEKLARĀCIJA****Ferāstrāu Circular La Fără Fir**Zīmols: RYOBI | Ražotājs¹ | Modeļa numurs² | Sērijas numura intervāls³

Ar pilnu atbildību mēs kā ražotājs deklarējam, ka tālāk norādītais produkts izpilda visas atbilstošās norādīto Eiropas direktīvu, Eiropas regulu un harmonizētu standartu prasības⁴

Pilnvarots sastādīt tehnisko failu:⁵**LT EB ATITIKTIES DEKLARACIJA****Belaidis Diskinis Pjūklas**Prėkės ženklas: RYOBI | Gamintojas¹ | Modelio numeris² | Serijinio numerio diapazonas³

Mes, gamintojai, atsakingai pareiškiame, kad toliau minimas gaminyms atitinka nurodytus Europos direktyvas, Europos reglamentus ir darniuosius standartus⁴

Įgaliojats sudaryti techninį failą:⁵**ET EÜ VASTAVUSDEKLARATSIOON****Juhtmeta Ketassaag**Mark: RYOBI | Tootja¹ | Mudeli number² | Seerianumberi vahemik³

Kinnitame tootjana ainsuiskulpselt, et alpool nimetatud toode vastab järgmistele Euroopa direktiivide, Euroopa määruste ja ühtlustatud standardite kõigile asjaomastele sätetele⁴

Tehnilise faili koostamiseks volitatud isik:⁵**HR IZJAVA O SUKLADNOSTI****Bežična Cirkularna Pila**Marka: RYOBI | Proizvođač¹ | Broj modela² | Raspon serijskog broja³

Kao proizvođač, pod punom odgovornošću izjavljujemo da proizvod naveden u nastavku zadovoljava sve relevantne odredbe sljedećih europskih direktiva, europskih uredbi i usklađenih normi⁴

Ovlašten da sastavi tehničku datoteku:⁵

SL ES-IZJAVA O SKLADNOSTI

Brezzični Krožna Žaga

Znamka: RYOBI | Proizvajalec¹ | Številka modela² | Razpon serijskih števil³
Kot proizvajalec pod izključno lastno odgovornostjo izjavljamo, da spodaj navedeni izdelek izpolnjuje vse ustrezne predpise naslednjih evropskih direktiv, evropskih uredb in harmoniziranih standardov⁴
Pooblaščenca oseba za sestavo tehnične dokumentacije:⁵

SK ES VYHLÁSENIE O ZHODE

Bezškábový Okružná Píla

Značka: RYOBI | Výrobca¹ | Číslo modelu² | Rozsah sériových čísiel³
Ako výrobca na vlastnú zodpovednosť vyhlasujeme, že dolu uvedený výrobok vyhovuje príslušným ustanoveniam nasledujúcich európskych smerníc, európskych nariadení a harmonizovaných noriem⁴
Oprávnená osoba na zostavenie technického súboru:⁵

BG CE - ДЕКЛАРАЦИЯ ЗА СЪОТВЕТВИЕ

Безжичен циркулярен трион

Марка: RYOBI | Производител¹ | Номер на модела² | Обхват на серийни номера³
Като производител декларираме на своя лична отговорност, че продуктът, посочен по-долу, отговаря на всички съответни разпоредби на директивите и регламентите на Европейския съюз и хармонизираните стандарти по-долу⁴
Упълномощено лице за съставяне на техническия файл:⁵

UK СЕРТИФИКАТ ВІДПОВІДНОСТІ ВИМОГАМ ЄС

Бездротова циркулярна пила

Марка: RYOBI | Виробник¹ | Номер моделу² | Діапазон серійного номеру³
Як виробник ми відповідально заявляємо, що описаний нижче пристрій відповідає всім чинним положенням директив ЄС, Європейських норм та гармонізованих стандартів⁴
Дозвіл на складання технічного файла:⁵

TR CE UYGUNLUK BEYANI

Kablosuz Daire Testere

Marka: RYOBI | Üretici¹ | Model numarasi² | Seri numarasi araligi³
Üretici olarak tüm sorumluluğu bize ait olmak üzere, aşağıda belirtilen ürünün aşağıdaki Avrupa Direktifleri, Avrupa Mevzuatı ve uyumlaştırılmış standartların ilgili hükümlerini yerine getirdiğini beyan ederiz⁴
Teknik dosya hazırlamaya yetkilidir:⁵

EL ΔΗΛΩΣΗ ΣΥΜΜΟΡΦΩΣΗΣ ΕΚ

Bezškábový kuklíkός κόπτης

Μάρκα: RYOBI | Κατασκευαστής¹ | Αριθμός μοντέλου² | Εύρος σειριακών αριθμών³
Δηλώνουμε, με αποκλειστικά δική μας ευθύνη, ότι το παρακάτω αναφερόμενο προϊόν πληρεί όλες τις σχετικές διατάξεις των ακόλουθων Ευρωπαϊκών Οδηγιών, Ευρωπαϊκών Κανονισμών και εναρμονισμένων προτύπων⁴
Εξουσιοδοτημένο άτομο για σύνταξη τεχνικού αρχείου:⁵

GB-DECLARATION OF CONFORMITY

Manufacturer: Techtronic Industries GmbH
Max-Eyth-Straße 10, 71364 Winnenden, Germany

We declare as the manufacturer under our sole responsibility that the product mentioned below

Cordless Circular Saw
Brand: RYOBI
Model number: R18CSP
Serial number range: 44484506000001 - 44484506999999

fulfills all the relevant provisions of the following Regulations: S.I. 2008/1597 (as amended), S.I. 2016/1091 (as amended), S.I. 2012/3032 (as amended) and that the following designated standards have been used:

BS IEC EN 55014-1:2021, BS IEC EN 55014-2:2021,
BS EN 62841-1:2015+A11:2022, BS EN 62841-2-5:2014,
BS EN IEC 63000:2018

Todd Chipner
Senior Vice President, Quality – Asia
Winnenden, Dec. 1, 2023

Authorised to compile the technical file:
Techtronic Industries (UK) Ltd
Parkway
Marlow Bucks SL7 1YL
UK

¹ Techtronic Industries GmbH
Max-Eyth-Straße 10, 71364 Winnenden, Germany

² R18CSP

³ 44484506000001 - 44484506999999

⁴ 2006/42/EC, 2014/30/EU, 2011/65/EU
EN IEC 55014-1:2021, EN IEC 55014-2:2021, EN 62841-1:2015+A11:2022,
EN 62841-2-5:2014, EN IEC 63000:2018

Todd Chipner
Senior Vice President, Quality – Asia
Winnenden, Dec. 1, 2023

⁵ Techtronic Industries GmbH
Max-Eyth-Straße 10, 71364 Winnenden, Germany

EN RYOBI is a trade mark of Ryobi Limited, and is used under license.

FR RYOBI est une marque déposée de Ryobi Limited, et est utilisée sous license.

DE RYOBI ist ein Markenzeichen von Ryobi Limited und wird in Lizenz verwendet.

ES RYOBI es una marca registrada de Ryobi Limited, y se utiliza bajo licencia.

IT L'utilizzo del marchio registrato RYOBI è legato alla licenza concessa da Ryobi Limited.

NL RYOBI is een handelsmerk van Ryobi Limited en wordt onder licentie gebruikt.

PT RYOBI é uma marca comercial de Ryobi Limited, e é utilizada sob licença.

DA RYOBI er et varemærke tilhørende Ryobi Limited og bruges under licens.

SV RYOBI är en del av varumärke Ryobi Limited och dess användning är licensierad.

FI RYOBI on Ryobi Limitedin omistama tavaramerkki, ja sitä käytetään lisenssin puitteissa.

NO RYOBI er et varemerke for Ryobi Limited, og brukes under lisens.

RU RYOBI является товарным знаком компании Ryobi Limited, используемым по лицензии.

PL RYOBI to znak towarowy firmy Ryobi Limited i jest używany zgodnie z udzieloną licencją.

CS RYOBI je ochranná známka společnosti Ryobi Limited a její používání podléhá licenci.

HU A RYOBI a Ryobi Limited védjegye, használatá licenc keretében történik.

RO RYOBI este o marcă comercială a firmei Ryobi Limited și este utilizată sub licență.

LV RYOBI ir Ryobi Limited preču zīme un tiek izmantota saskaņā ar licenci.

LT „RYOBI” yra „Ryobi Limited” prekes ženklas, naudojamas pagal licenciją.

ET RYOBI on ettevõtte Ryobi Limited kaubamärk, mida kasutatakse litsentsi alusel.

HR RYOBI je zign tvrtke Ryobi Limited i koristi se po licenci.

SL RYOBI je blagovna znamka družbe Ryobi Limited in se uporablja na podlagi dovoljenja.

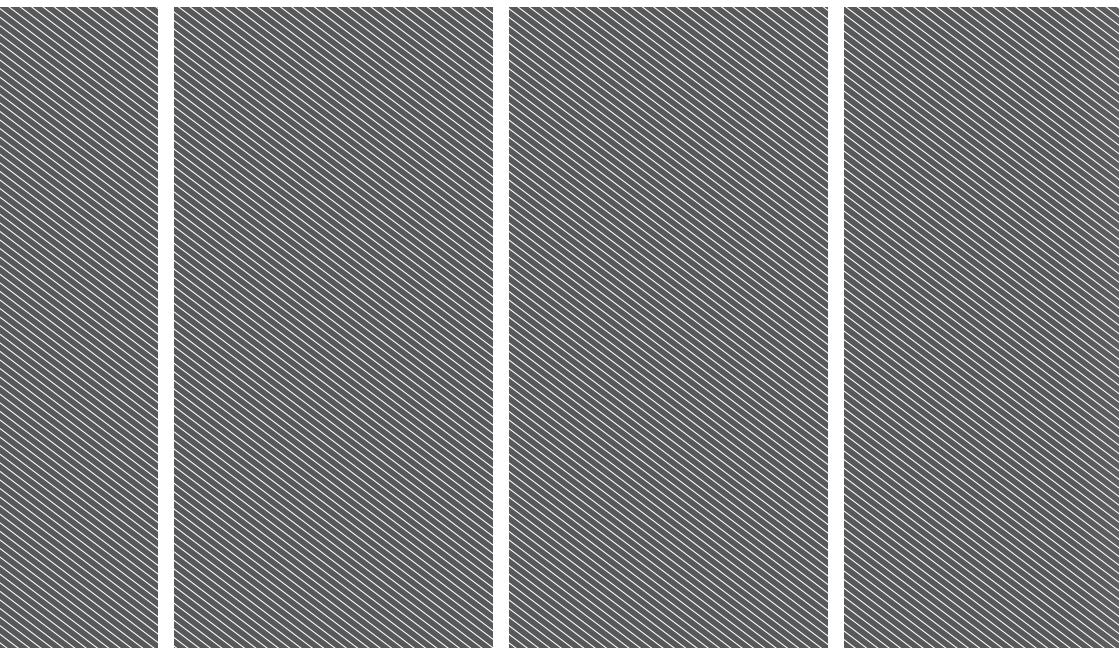
SK RYOBI je ochranná známka spoločnosti Ryobi Limited a používa sa na základe licencie.

BG RYOBI е търговска марка на Ryobi Limited и се използва под лиценз.

UK RYOBI е товарним знаком Ryobi Limited, і використовується за ліцензією.

TR RYOBI, Ryobi Limited şirketine ait olup, lisans altında kullanılan bir ticari markadır.

EL Το RYOBI αποτελεί εμπορικό σήμα της Ryobi Limited και χρησιμοποιείται μετά από χορήγηση άδειας.



Techtronic Industries GmbH
Max-Eyth-Straße 10,
71364 Winnenden, Germany

Techtronic Industries (UK) Ltd
Parkway
Marlow Bucks SL7 1YL
UK

961075480-04