

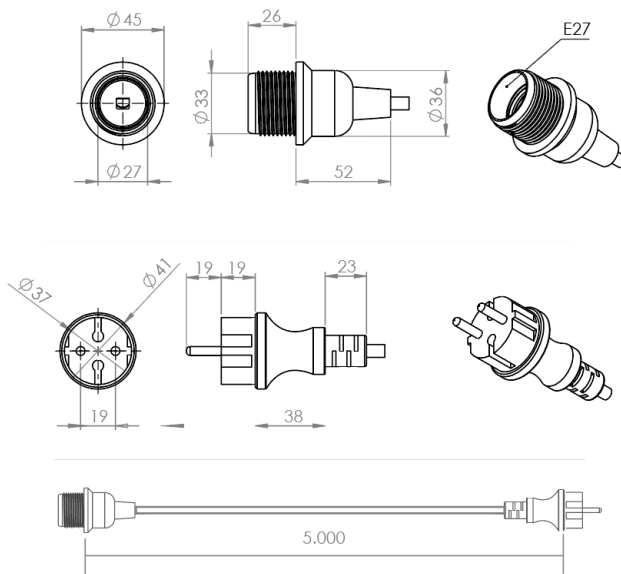
DATASHEET / FICHA TÉCNICA DE PRODUCTO



NOMBRE/NAME: ARTEIXO BLACK 5M

REF.: LUMARX500BXOXNW

EAN: 8435578520315



Main Material / Material Principal: **Textil**

Dimensions / Medidas del producto (cm): **ø4,5 x 500 cm**

Net Weight / Peso Neto: **0,5 kg**

Gross Weight / Peso Bruto: **0,6 kg**

Box / Caja Individual: **24 x 7,5 x 12 cm (1 uds)**

Master Box / Caja Master: **51,5 x 51,5 x 25,5 CM (24 uds)**

Pallet EU (80x120x180) **864 UDS**



Possible differences between the original colour, the lighting and the captured colour may differ from the final result. NEWGARDEN reserves the right to the photographs and designs, and the manufacture, distribution and/or marketing of the products shown on any medium is prohibited. NEWGARDEN reserves the right to modify, totally or partially, without prior notice, any information or technical specifications in this publication. All information in this document regarding dimensions and capacity are approximate and are subject to change due to improvements in the production process. All rights reserved.