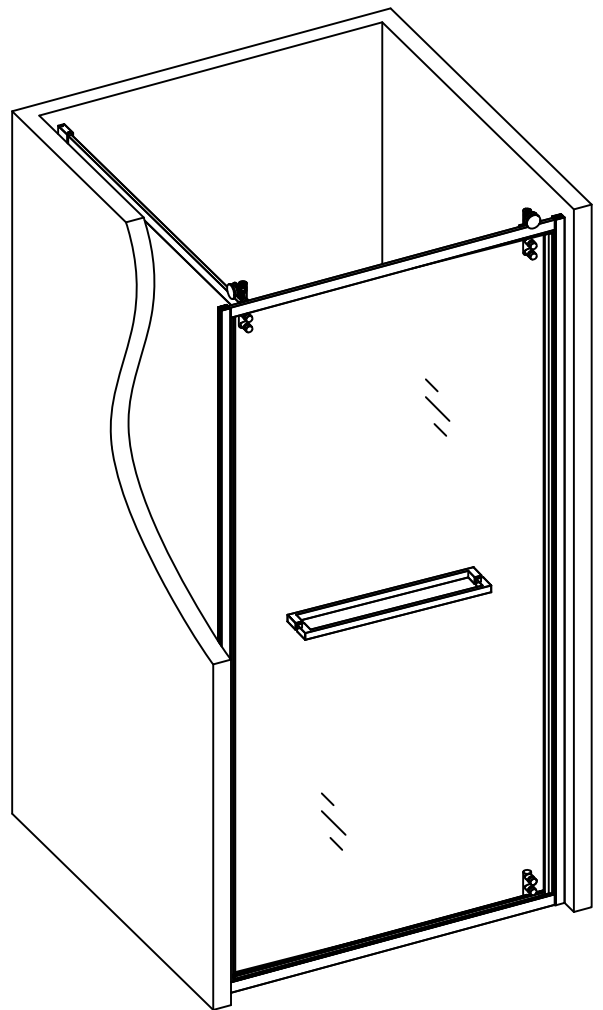
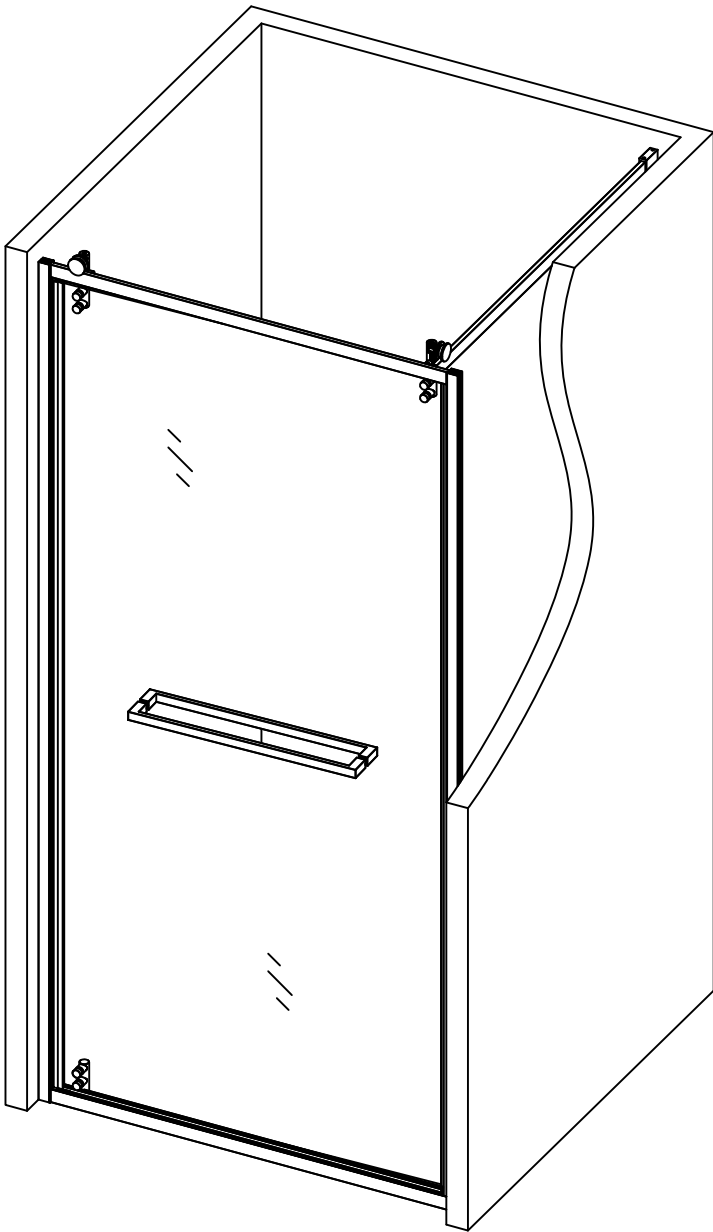
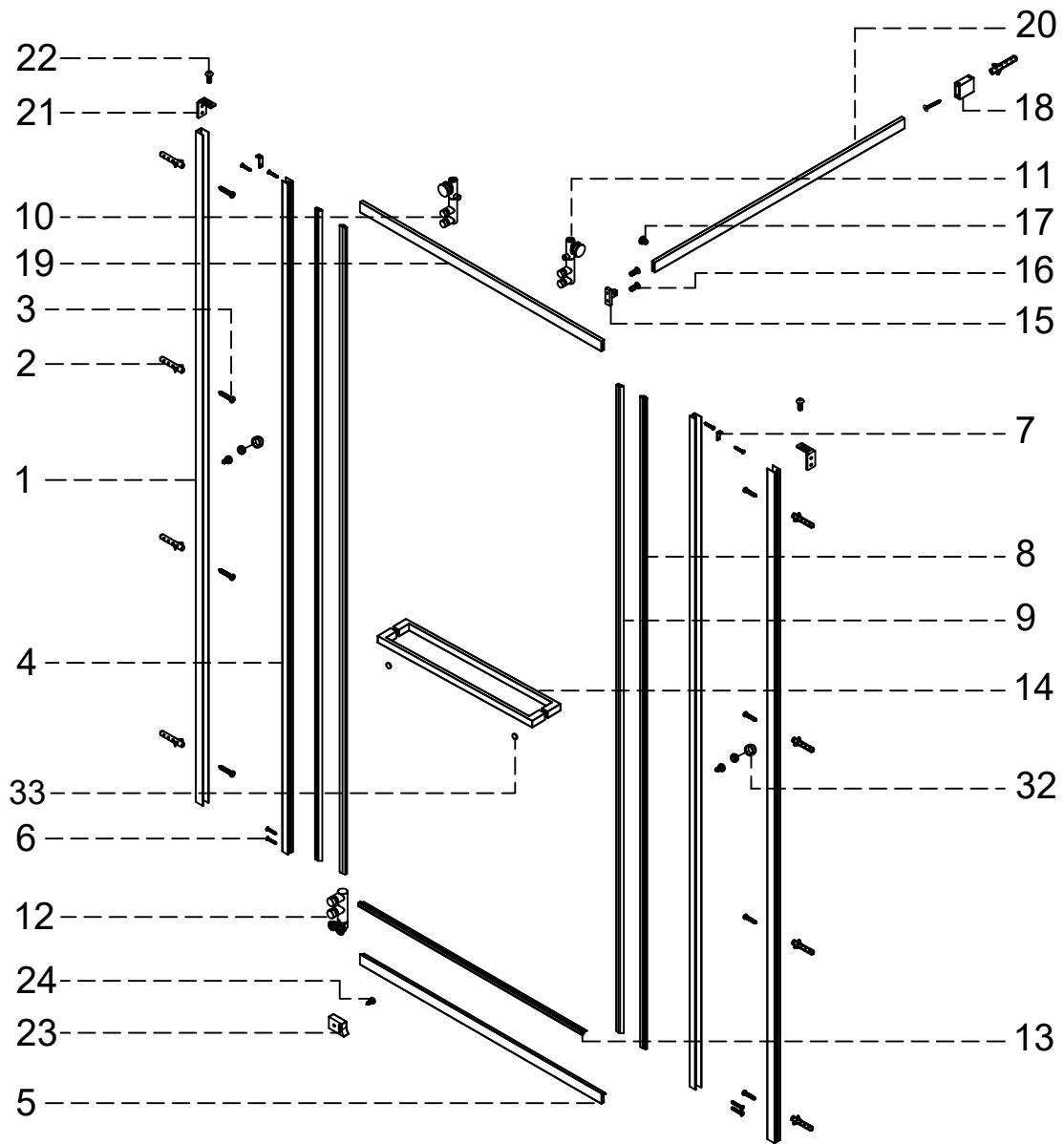


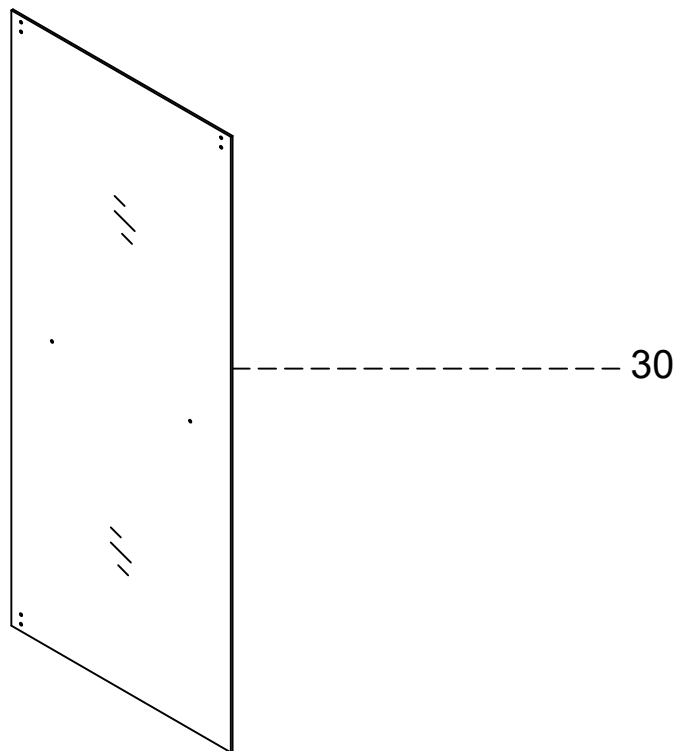
A+D



# A



# D

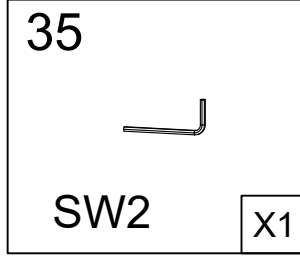
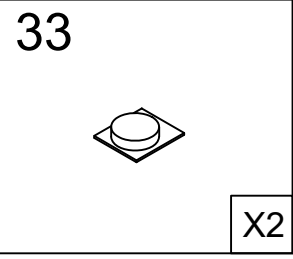
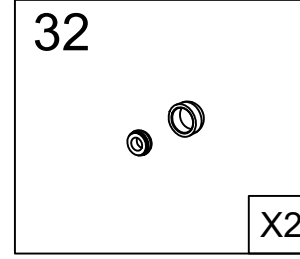
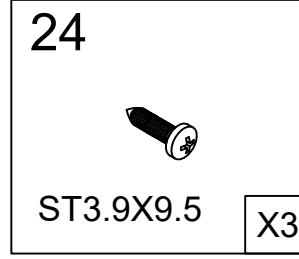
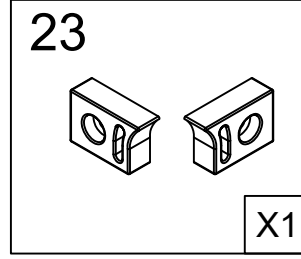
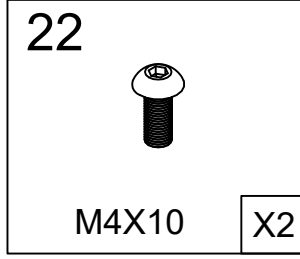
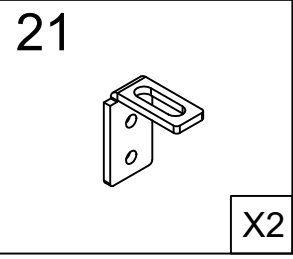
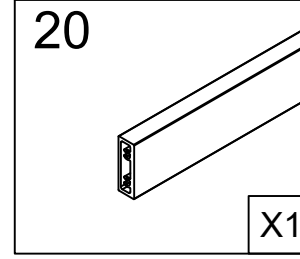
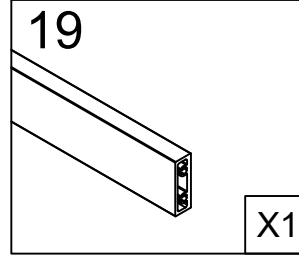
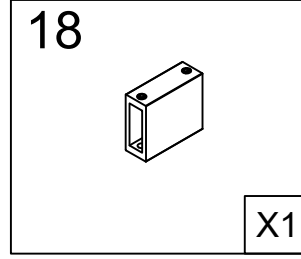
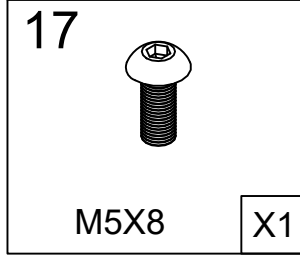
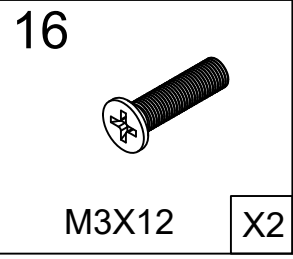
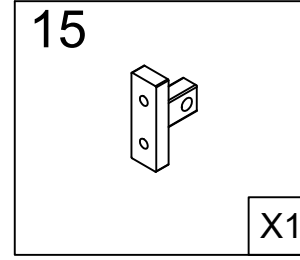
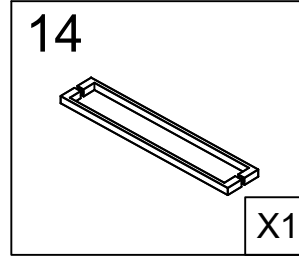
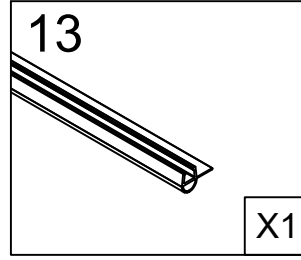
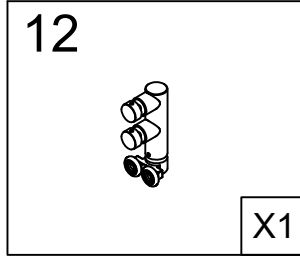
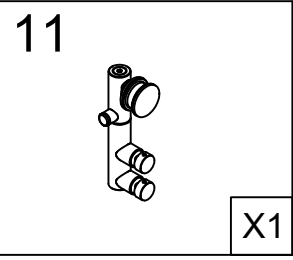
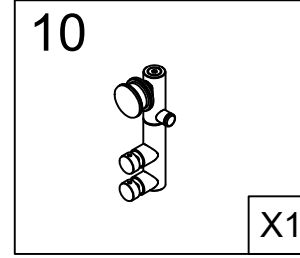
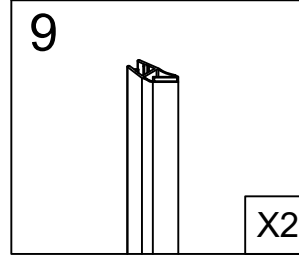
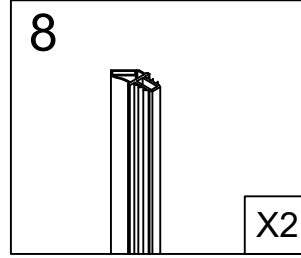
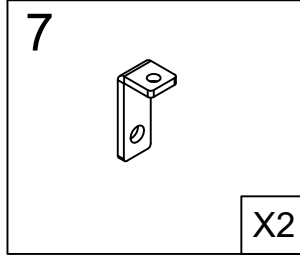
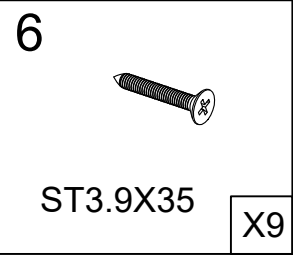
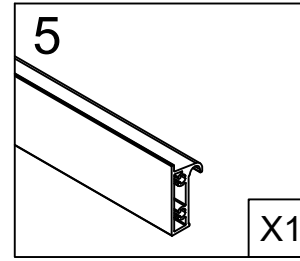
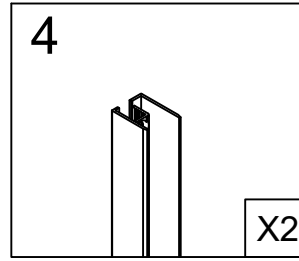
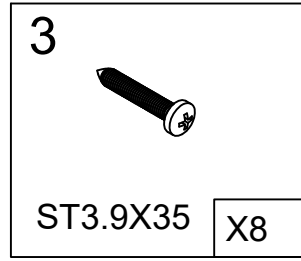
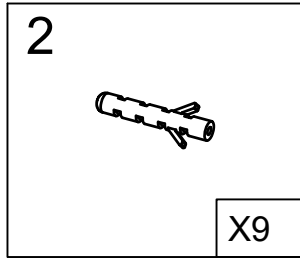
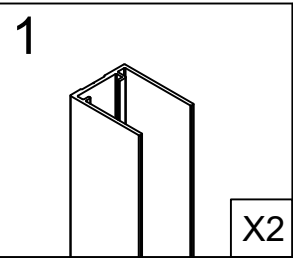


1

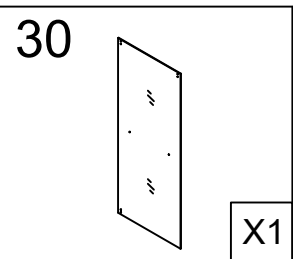
## Ersatzteile / Spare Parts

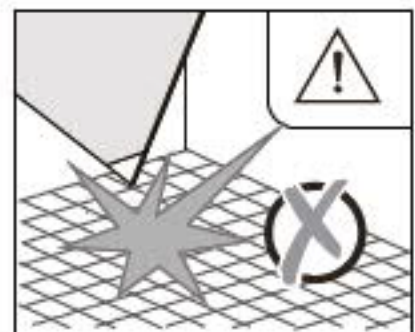
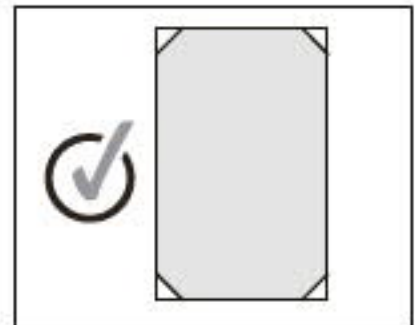
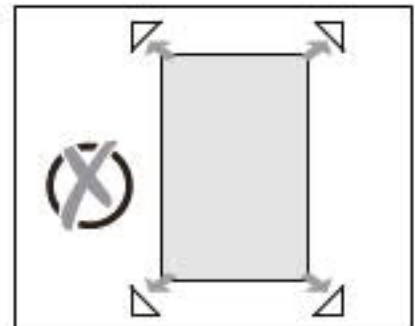
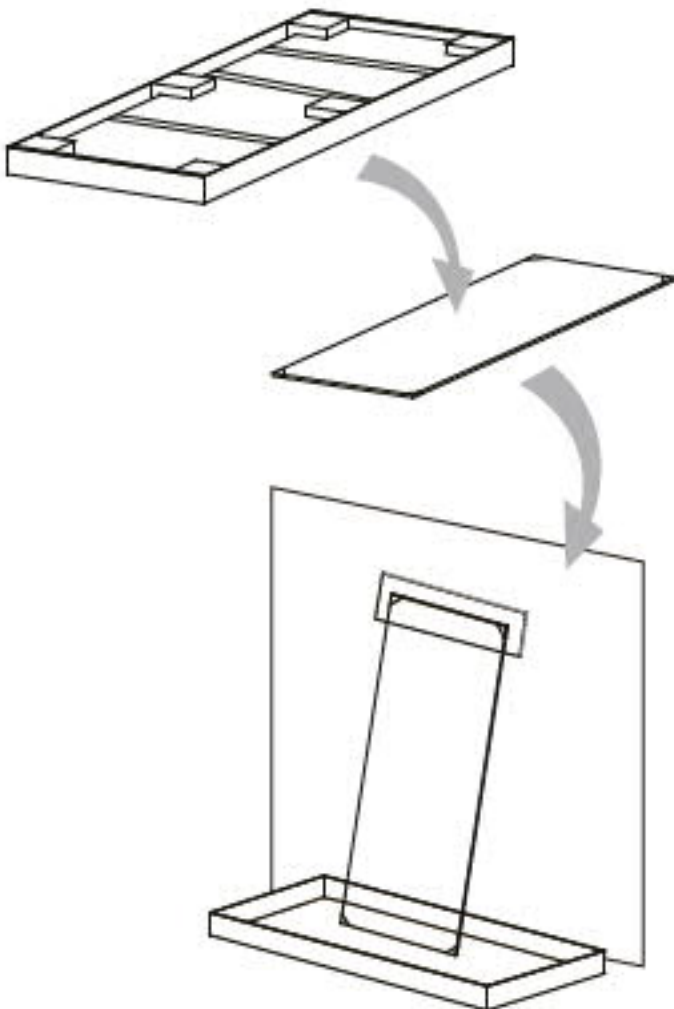
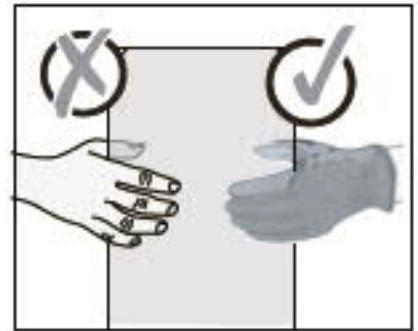
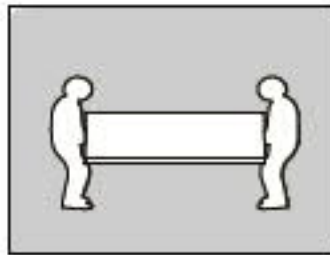
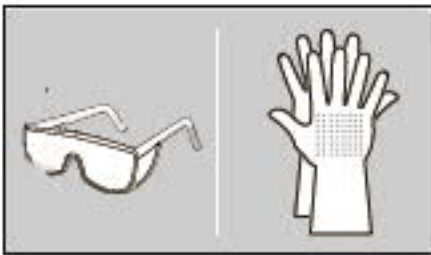
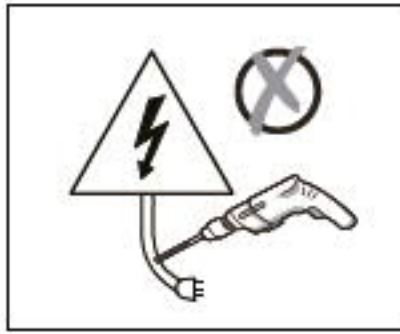
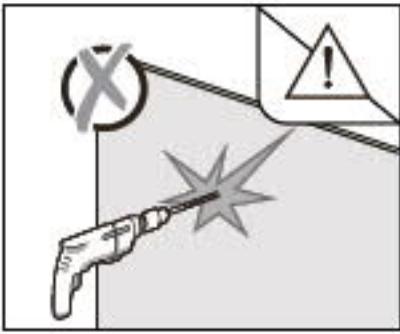
Pos.	Art.-Nr. SET21	Art.-Nr. SET10	Art.-Nr. SET79	Bezeichnung/ Description
	Silberglanz/ chrom	Schwarz/ black	Brushed Gold	
1	ZB 6Y1155-01-C	ZB 6Y1155-01-B	ZB 6Y1155-01-G	Wandprofil außen/ wall profile outside
4	ZB 6Y1155-04-C	ZB 6Y1155-04-B	ZB 6Y1155-04-G	Wandprofil innen/ wall profile inside
5	ZB 6Y1155-05-C	ZB 6Y1155-05-B	ZB 6Y1155-05-G	Führungsprofil unten/ guide profile below
7	ZB 6Y1155-07	ZB 6Y1155-07	ZB 6Y1155-07	Winkel/ angel
8	ZB 6Y1155-08	ZB 6Y1155-08-B	ZB 6Y1155-08	Magnetdichprofil Wand/ magnetic profile wall
9	ZB 6Y1155-09	ZB 6Y1155-09-B	ZB 6Y1155-09	Magnetdichprofil Glas/ magnetic profile glas
10	ZB 6Y1155-10-C	ZB 6Y1155-10-B	ZB 6Y1155-10-G	Laufrolle vorne/ roller front
11	ZB 6Y1155-11-C	ZB 6Y1155-11-B	ZB 6Y1155-11-G	Laufrolle Seite/ roller side
12	ZB 6Y1155-12-C	ZB 6Y1155-12-B	ZB 6Y1155-12-G	Laufrolle unten/ roller below
13	ZB 6Y1155-13	ZB 6Y1155-13-B	ZB 6Y1155-13	Wasserabweisprofil/ water repellent profile
14	ZB 6Y1155-14-C	ZB 6Y1155-14-B	ZB 6Y1155-14-G	Griff/ handle
15	ZB 6Y1155-15-C	ZB 6Y1155-15-B	ZB 6Y1155-15-G	Führungsschuh/ guide shoe
18	ZB 6Y1155-18-C	ZB 6Y1155-18-B	ZB 6Y1155-18-G	Wandhalter/ wall bracket
19	ZB 6Y1155-19-C	ZB 6Y1155-19-B	ZB 6Y1155-19-G	Führungsprofil oben/ guide profile above
20	ZB 6Y1155-20-C	ZB 6Y1155-20-B	ZB 6Y1155-20-G	Führungsprofil hinten/ guide profile behind
21	ZB 6Y1155-21	ZB 6Y1155-21	ZB 6Y1155-21	Verstellwinkel/ adjust angle
23	ZB 6Y1155-23	ZB 6Y1155-23	ZB 6Y1155-23	Anschagpuffer/ stop buffer
32	ZB 6Y1155-32-C	ZB 6Y1155-32-B	ZB 6Y1155-32-G	Abdeckhülse/ cover sleeve
2- 3- 6- 16- 17- 22- 24- 33	ZB 6Y1155 MB	ZB 6Y1155 MB	ZB 6Y1155 MB	Montagebeutel/ assembly bag

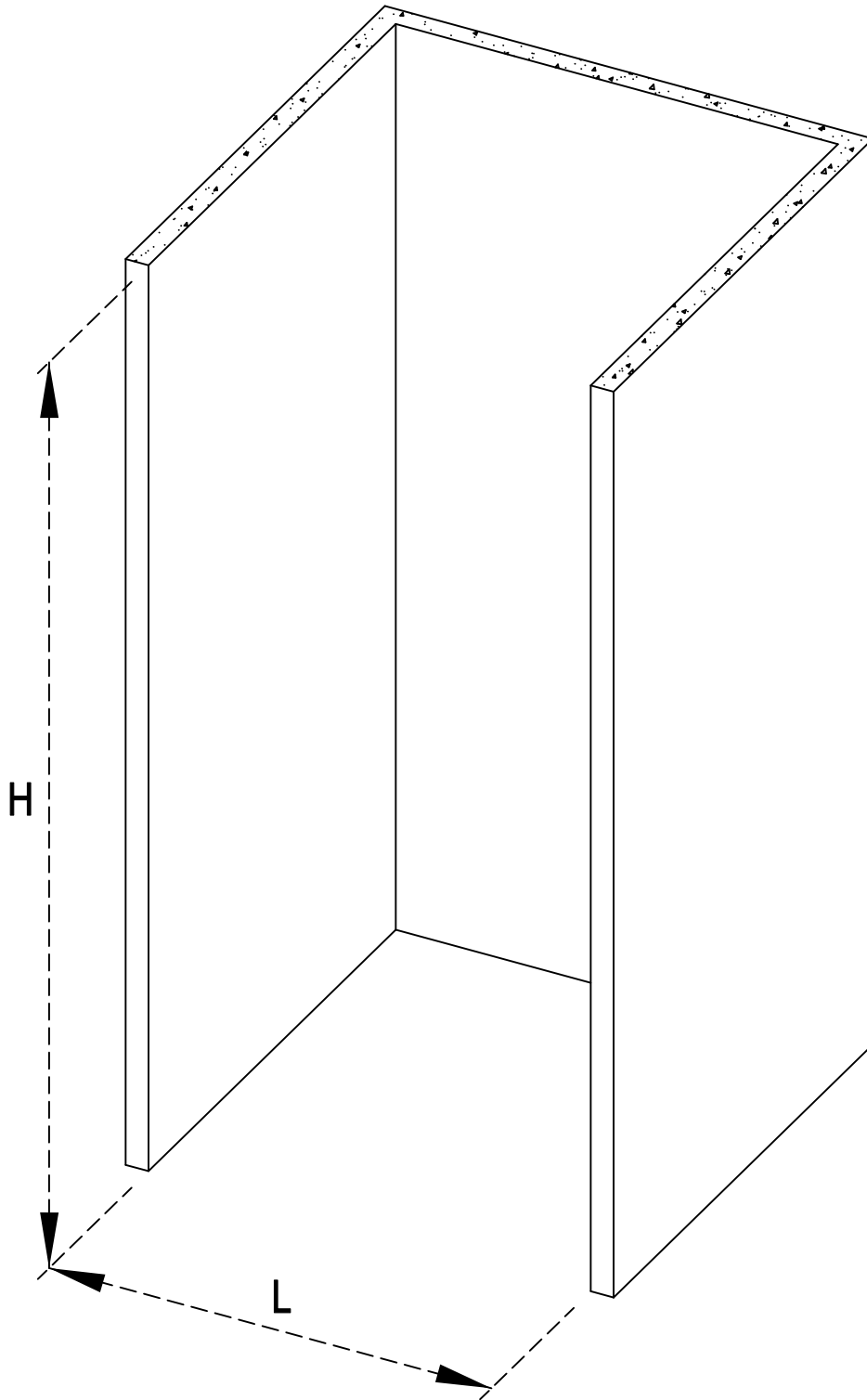
# A



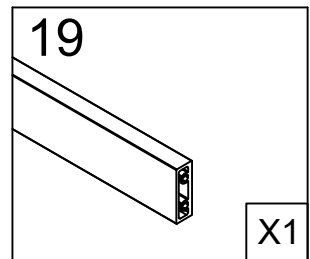
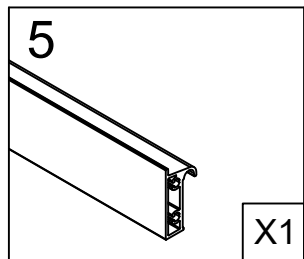
# D



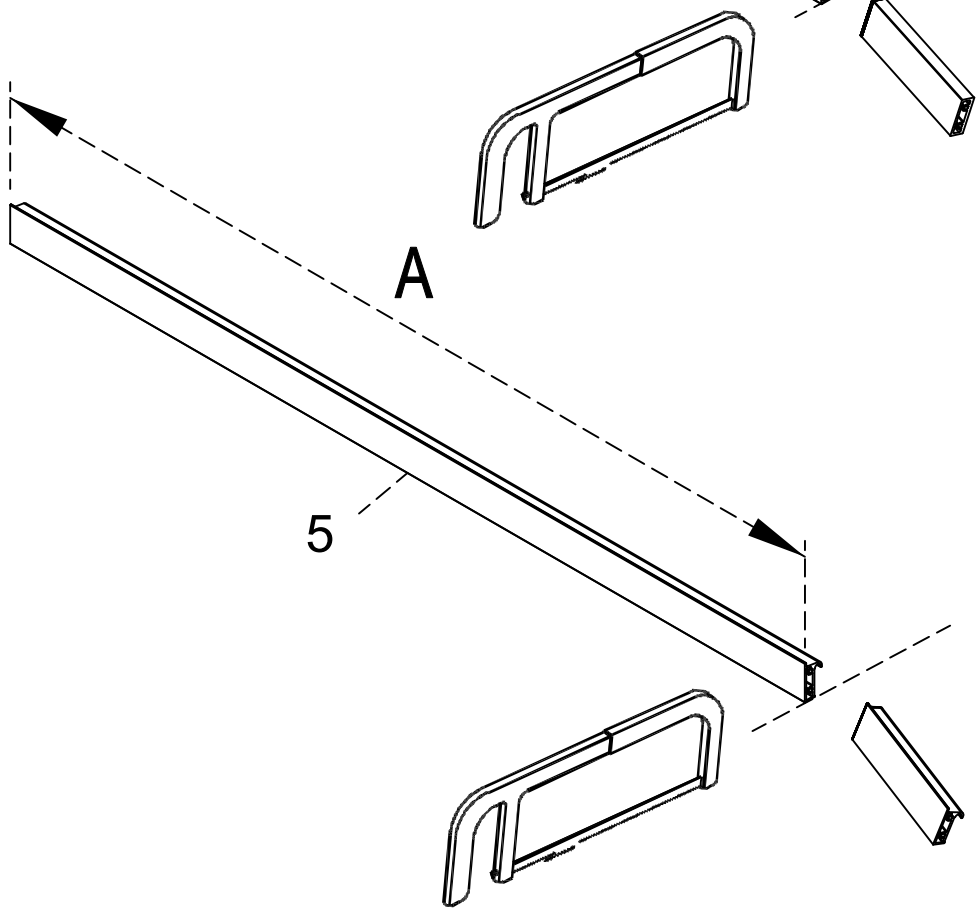
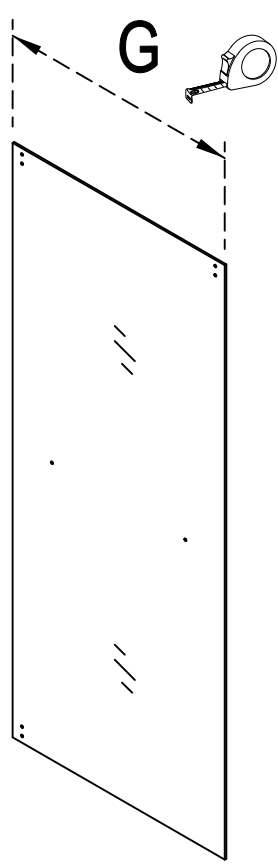
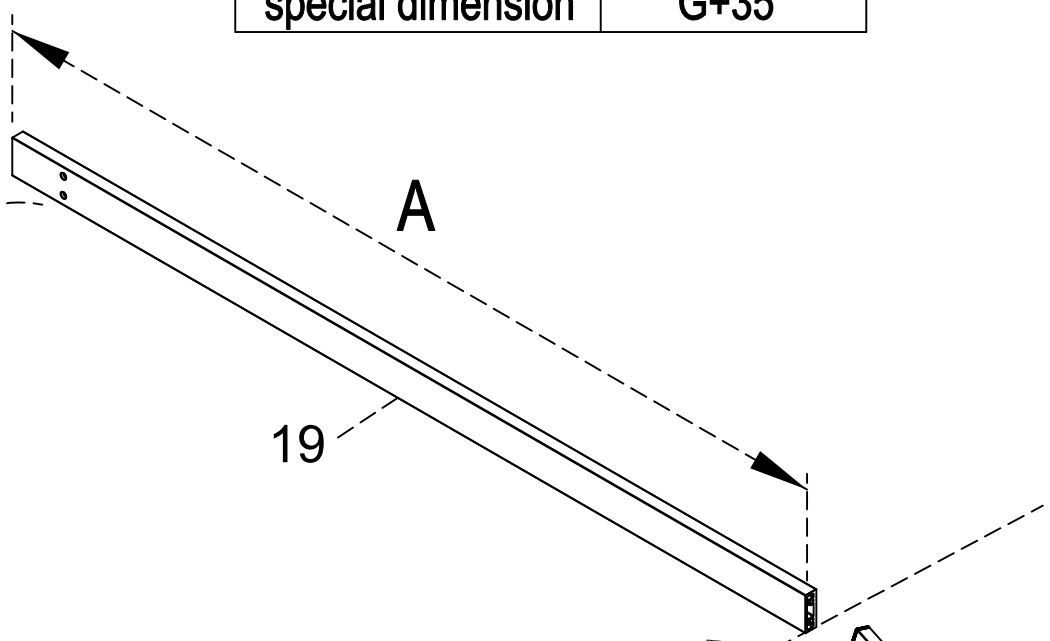
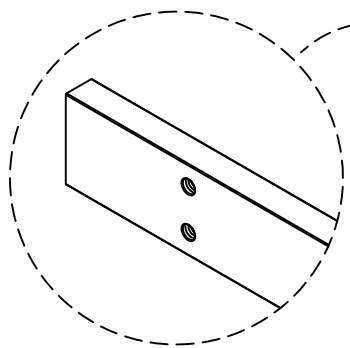


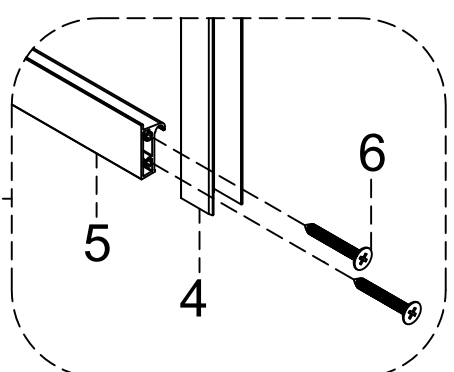
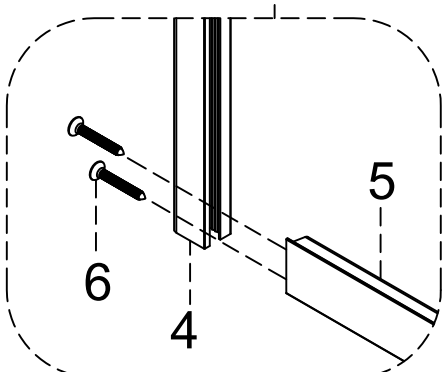
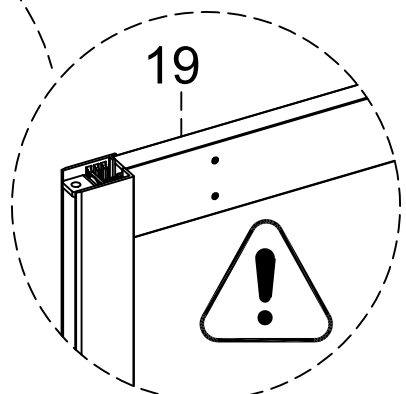
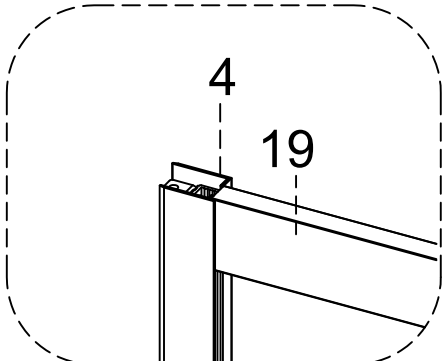
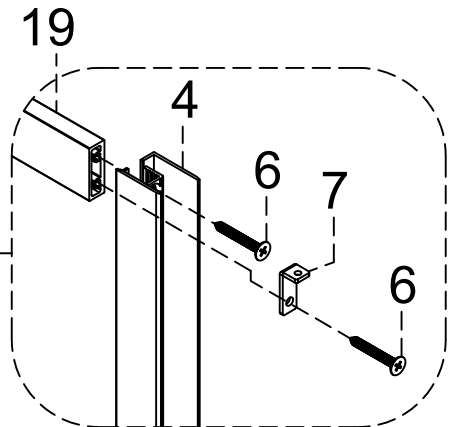
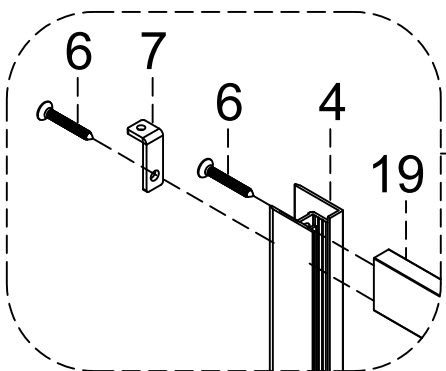
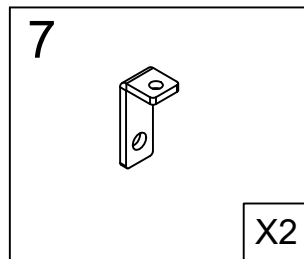
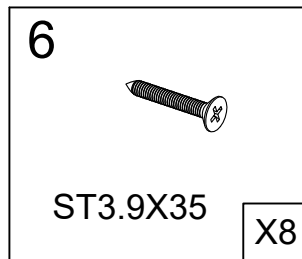
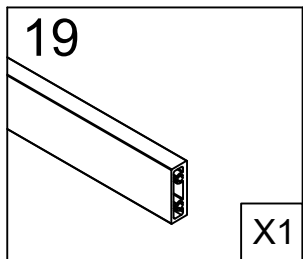
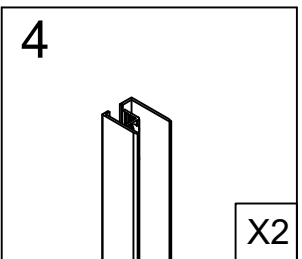
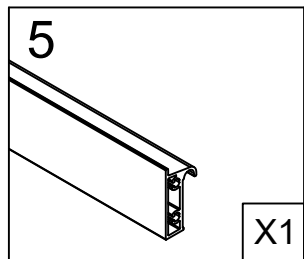


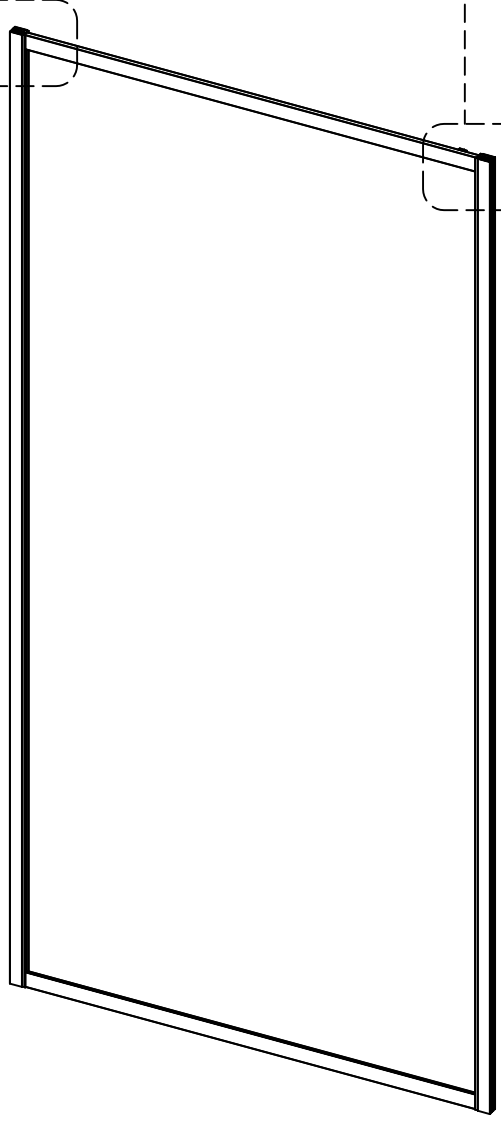
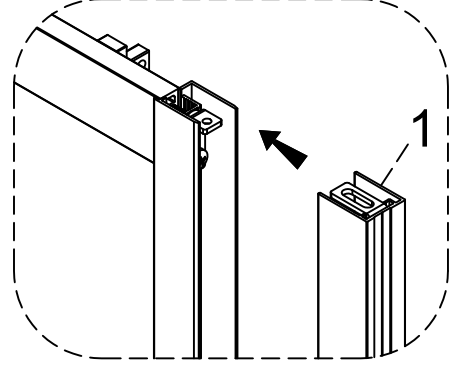
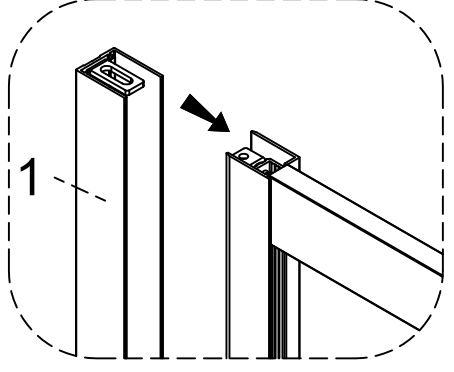
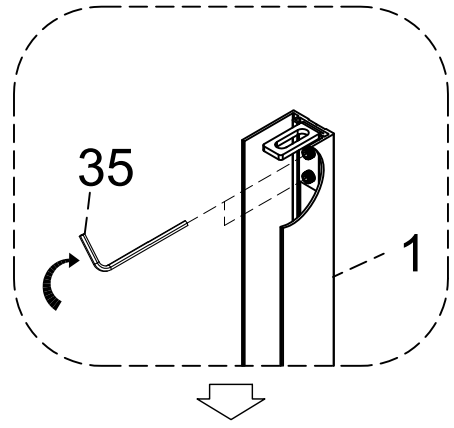
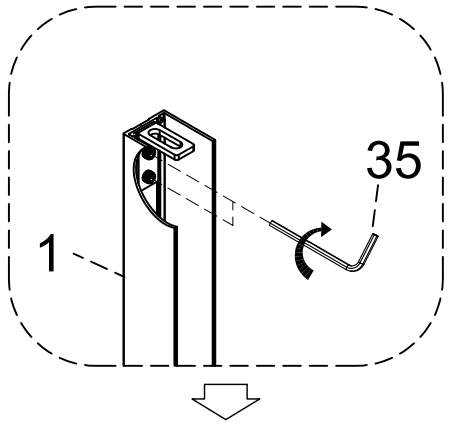
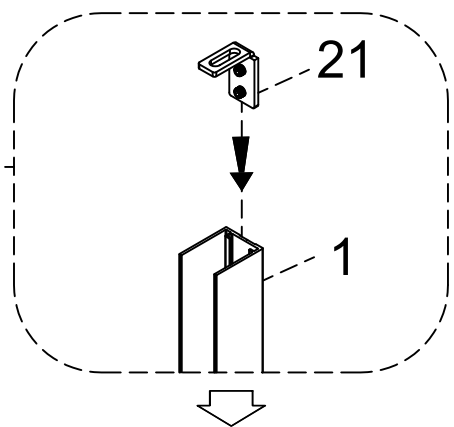
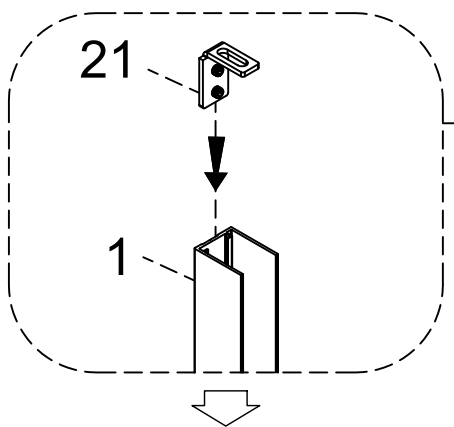
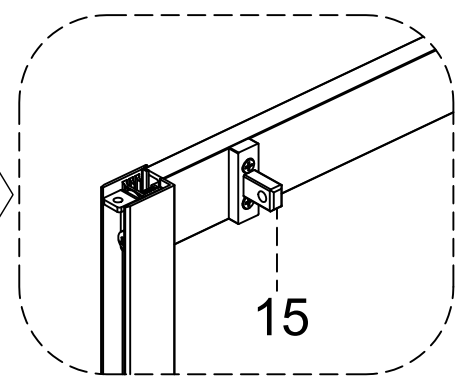
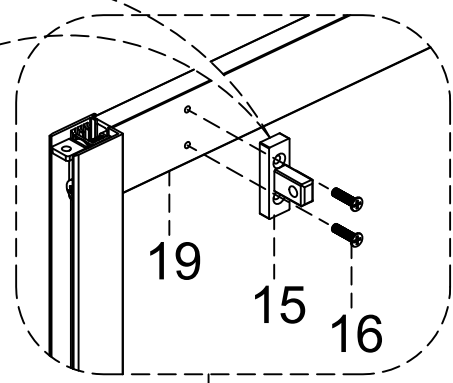
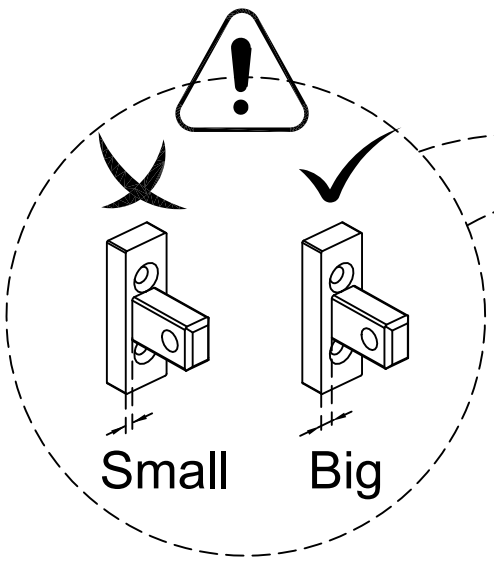
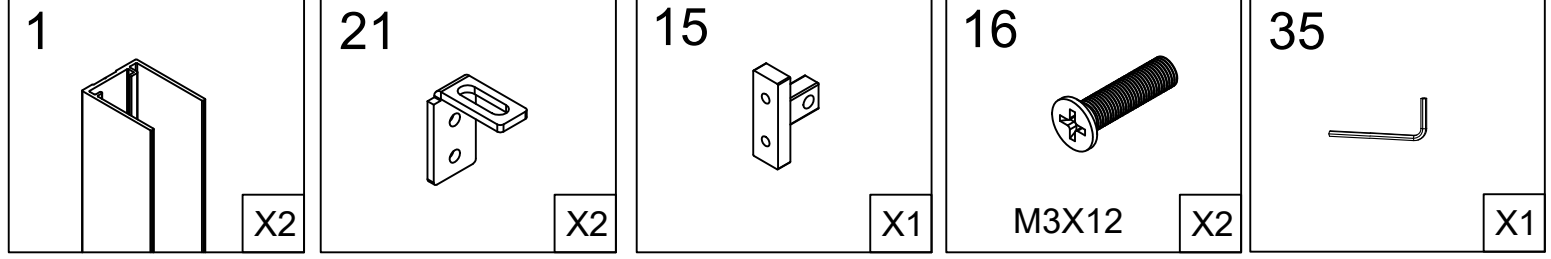
dimension	L (mm)	H (mm)
800-er	770-790	>2000
900-er	870-890	
1000-er	970-990	

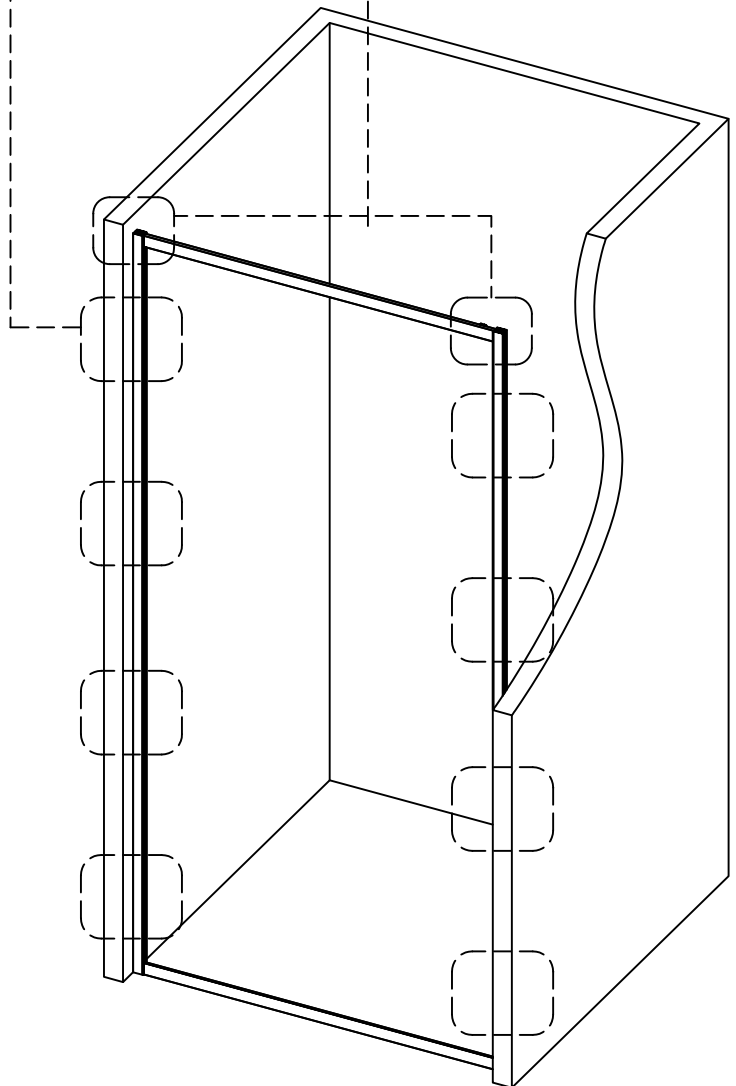
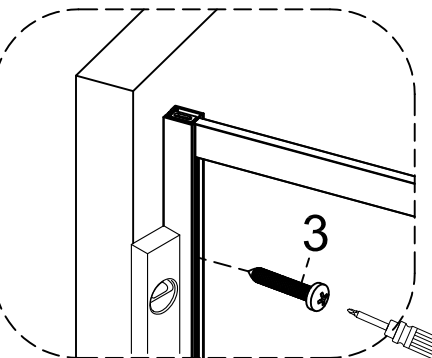
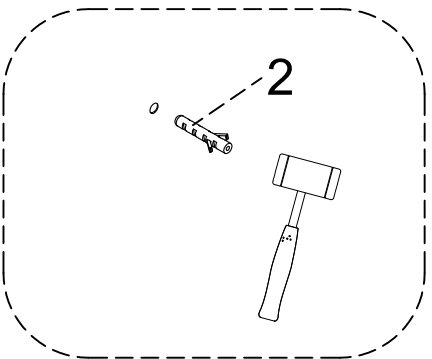
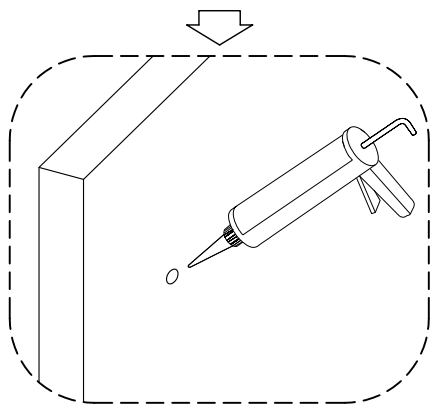
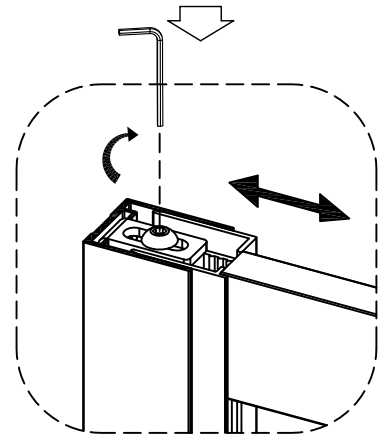
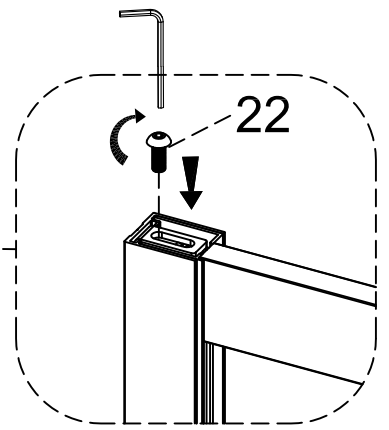
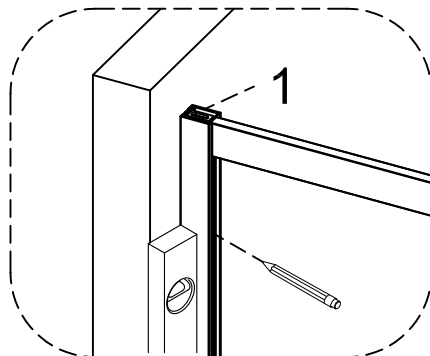
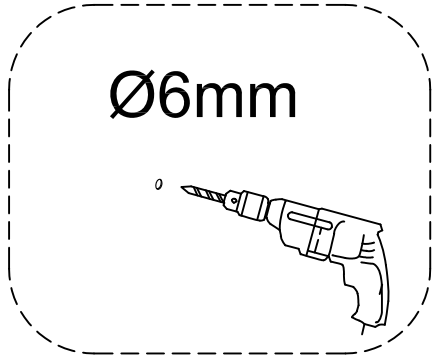
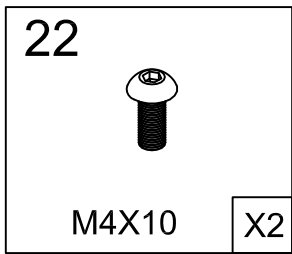
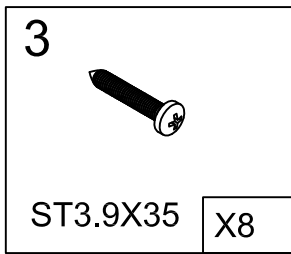
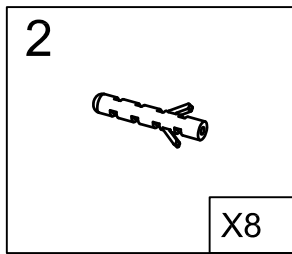


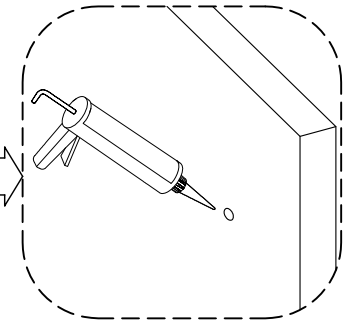
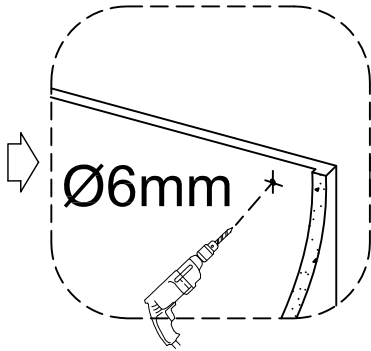
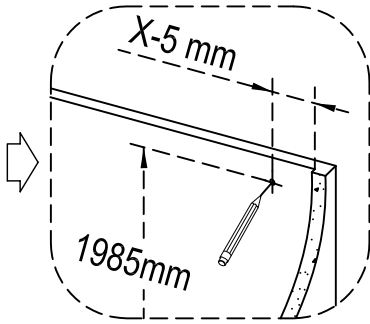
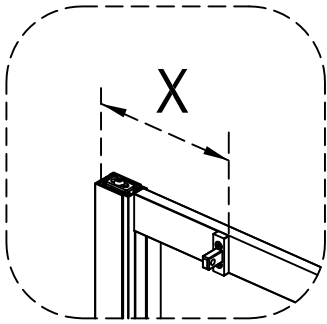
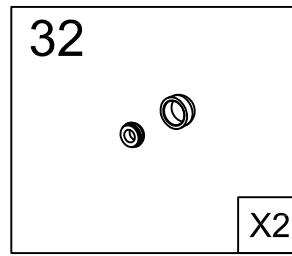
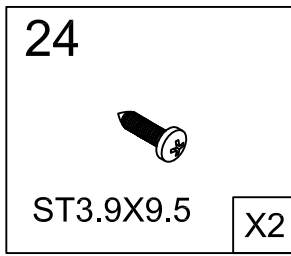
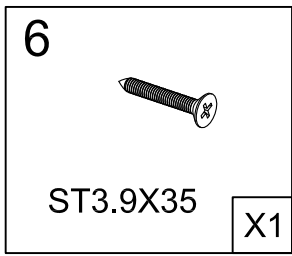
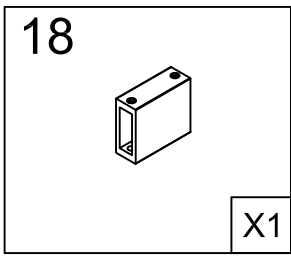
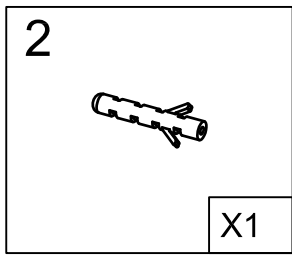
dimension	A (mm)
800-er	720
900-er	820
1000-er	920
special dimension	G+35



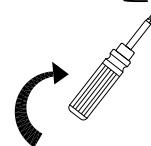
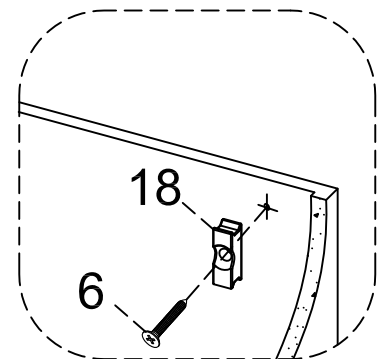
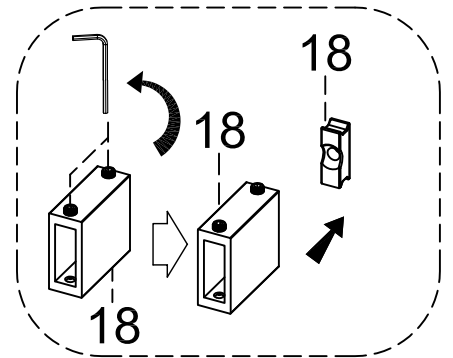
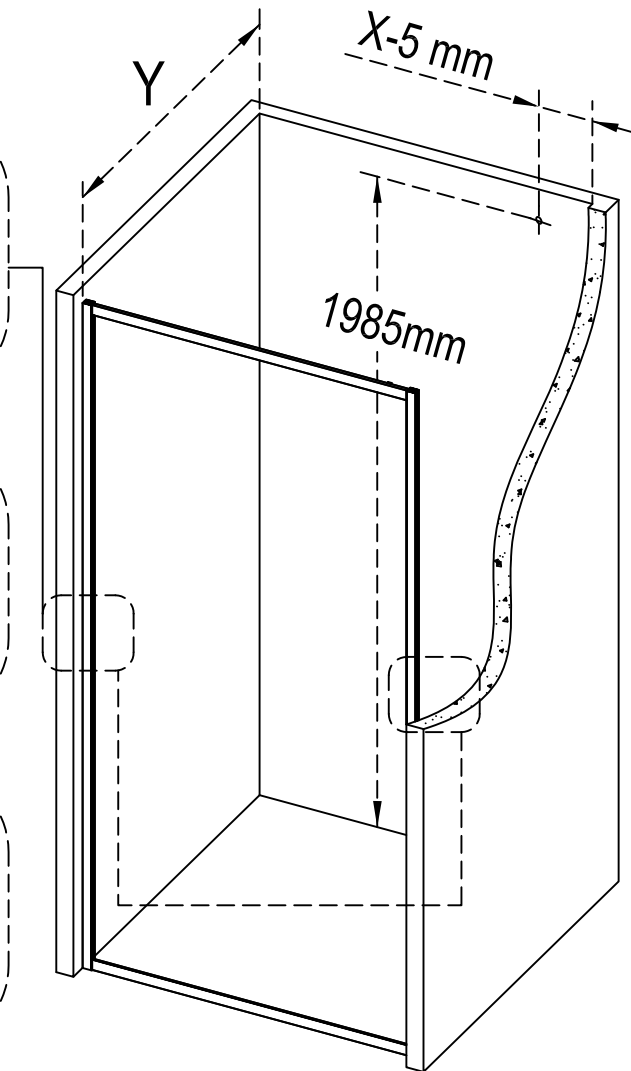
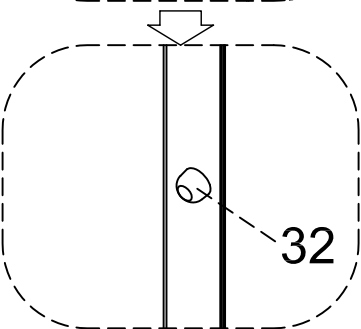
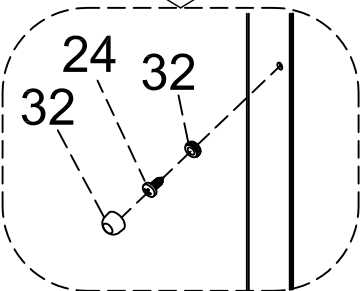
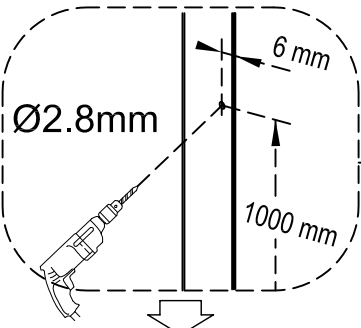
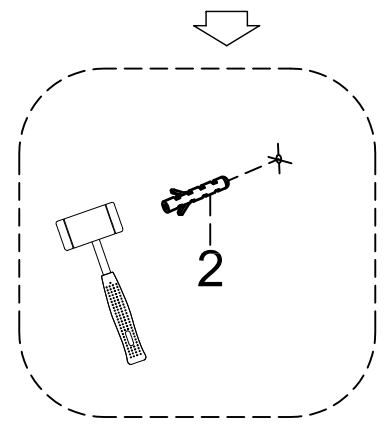


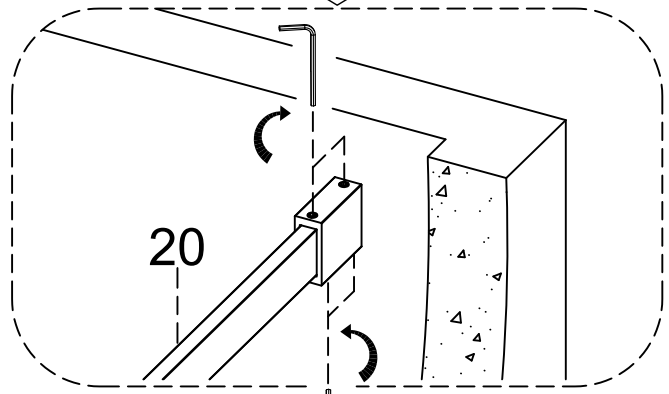
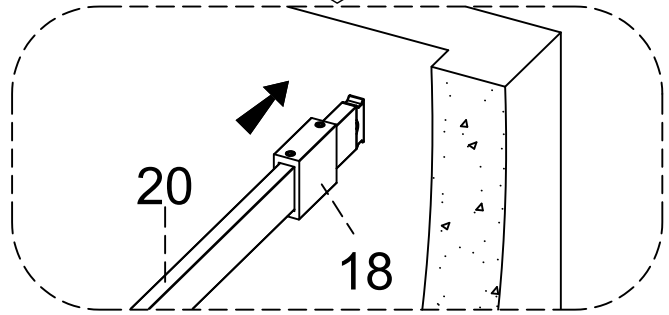
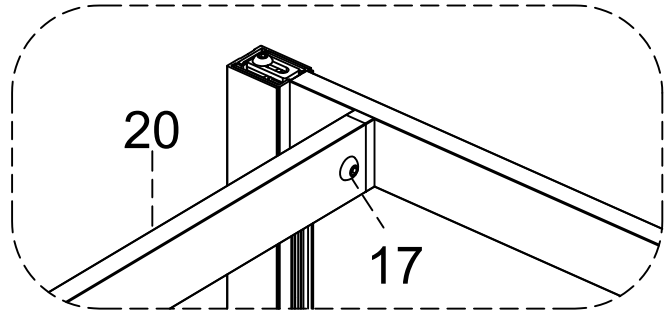
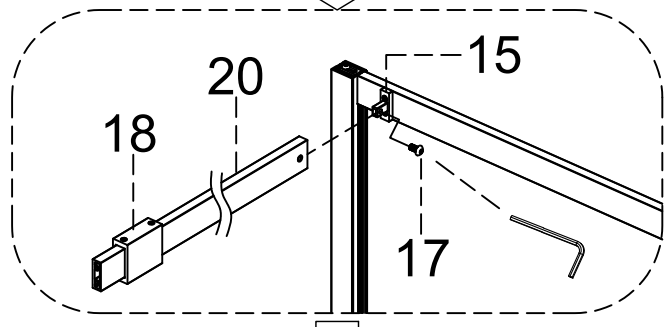
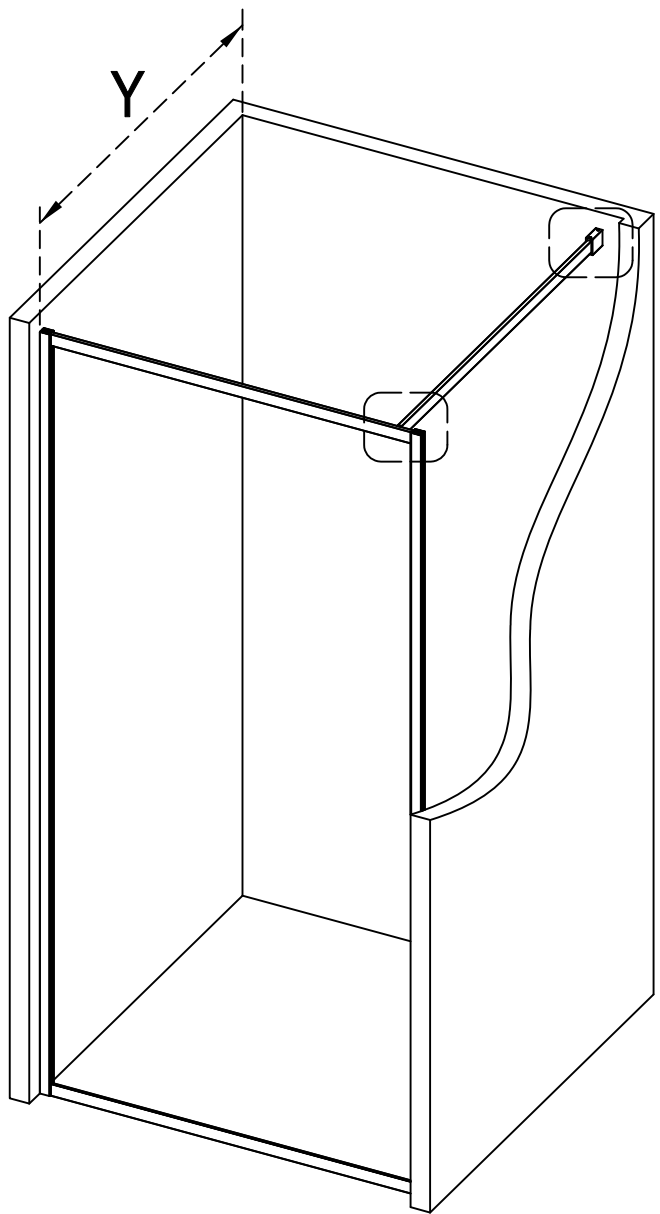
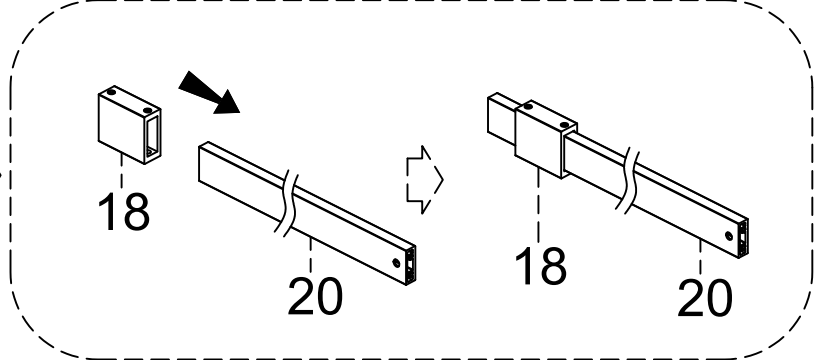
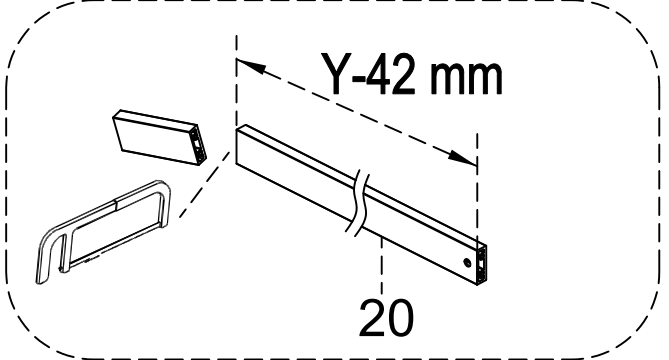
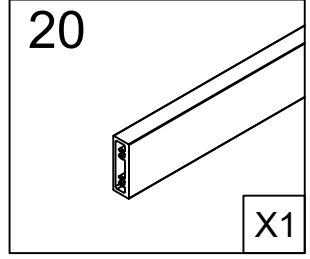
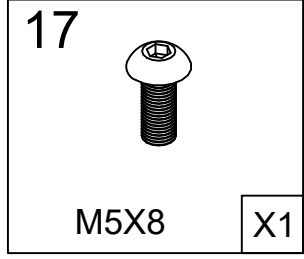


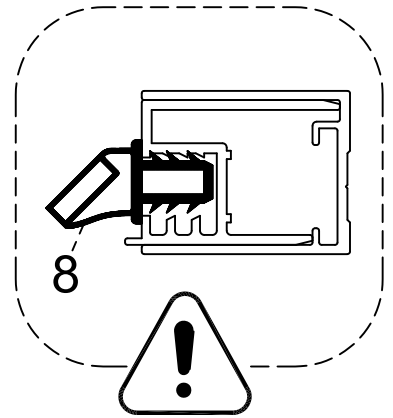
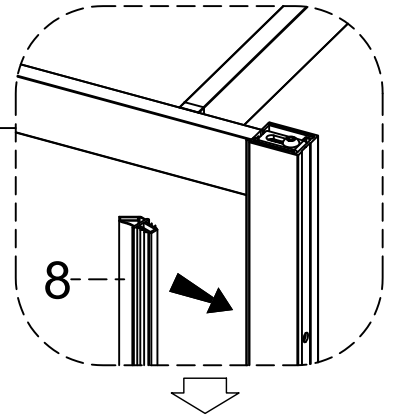
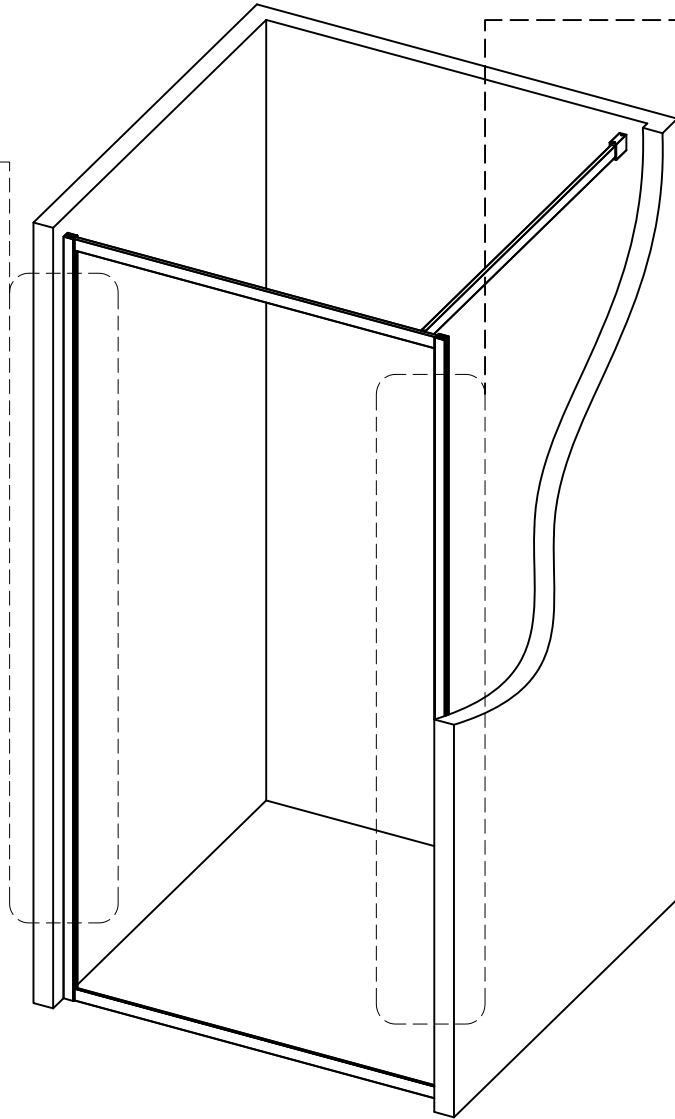
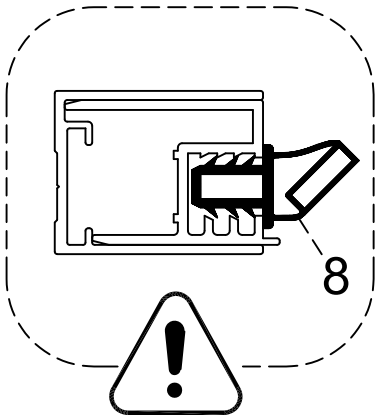
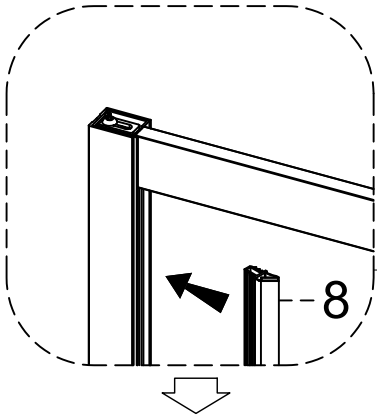
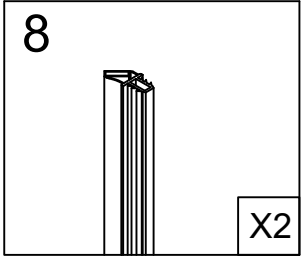


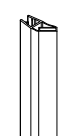
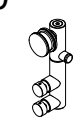
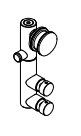
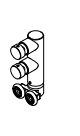
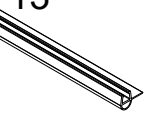
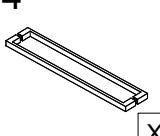
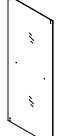


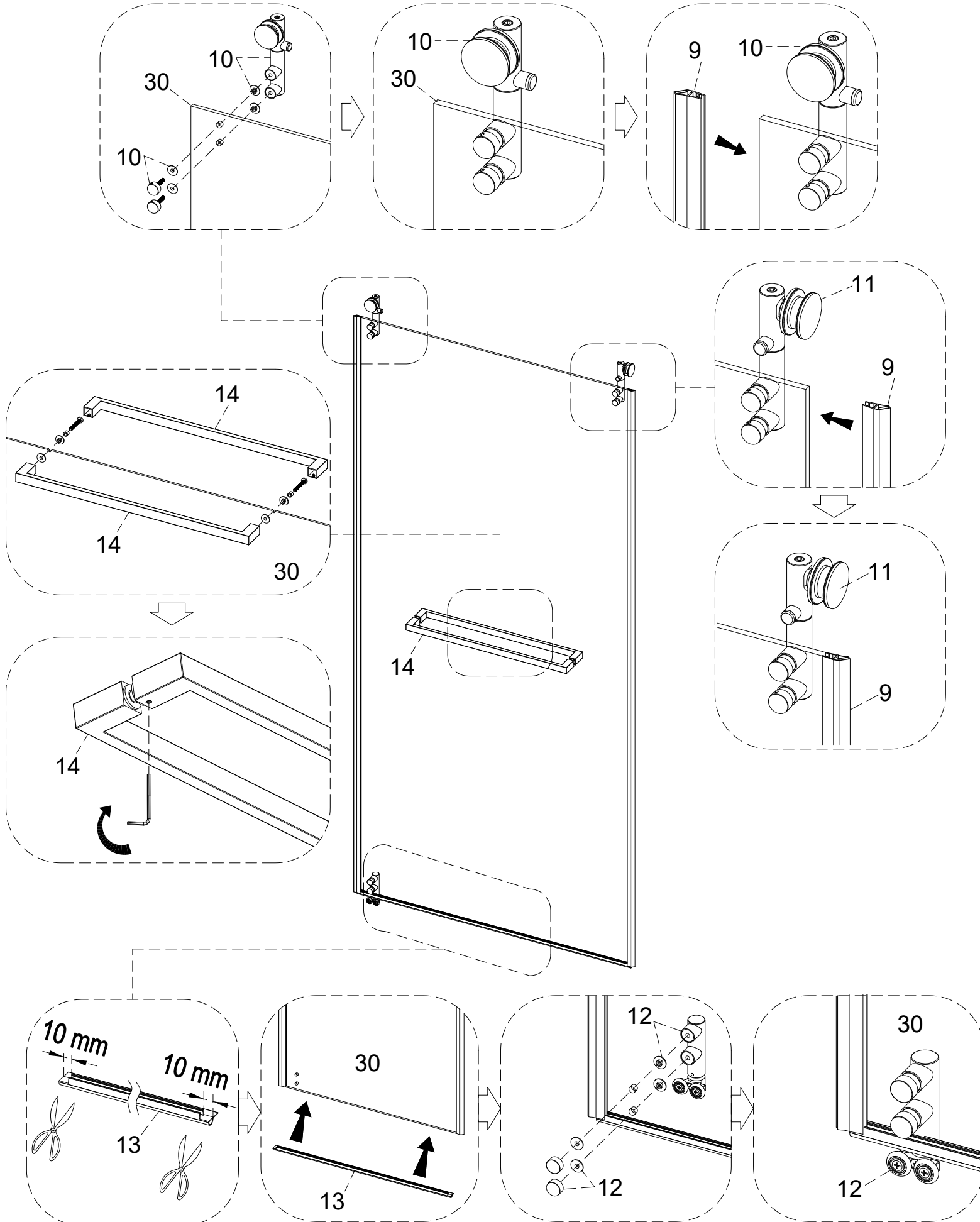
dimension	Y (mm)
800-er	Y>743
900-er	Y>843
1000-er	Y>943

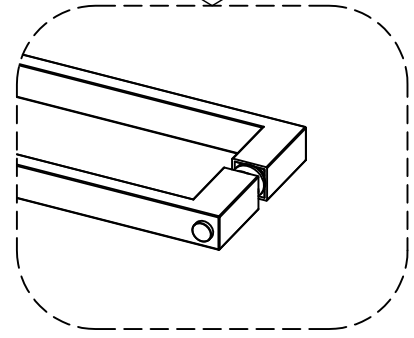
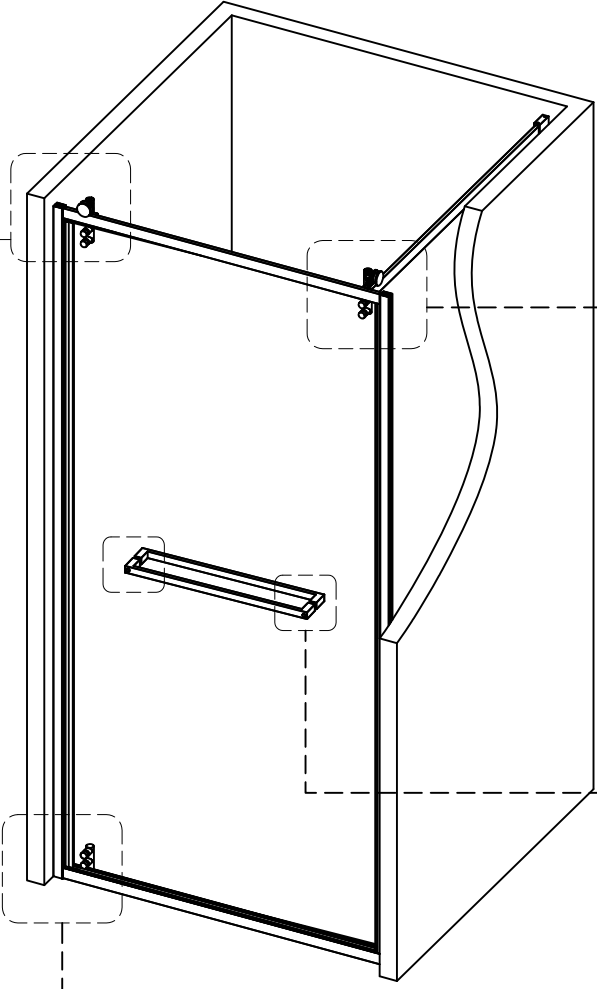
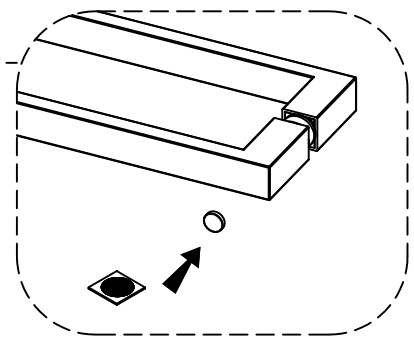
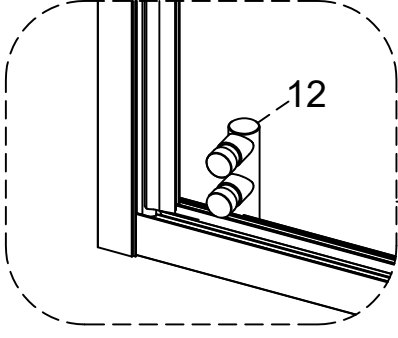
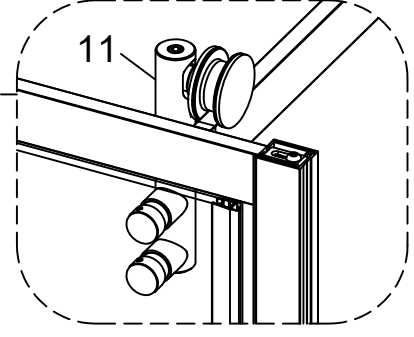
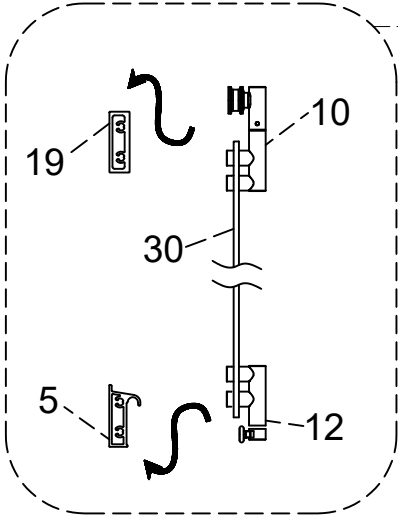
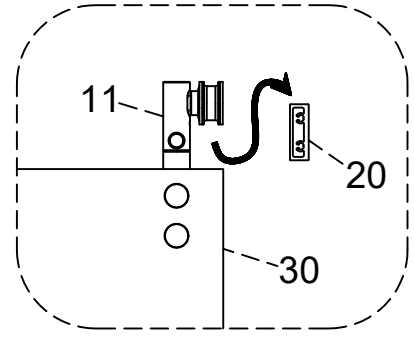
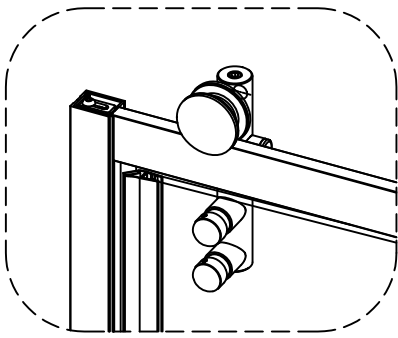
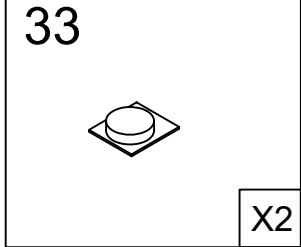


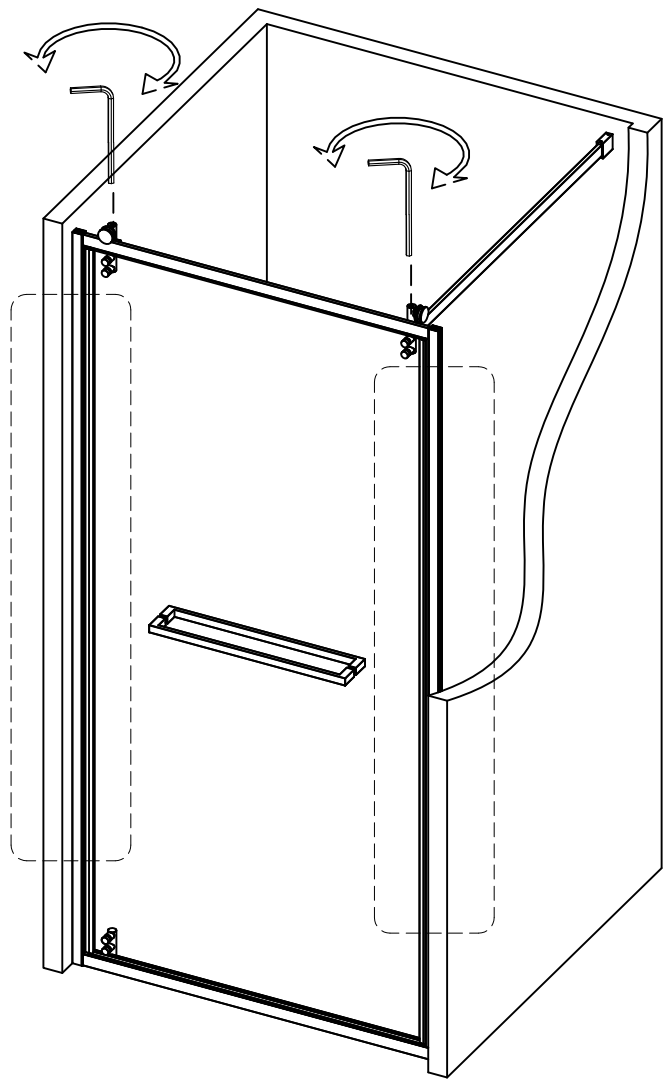
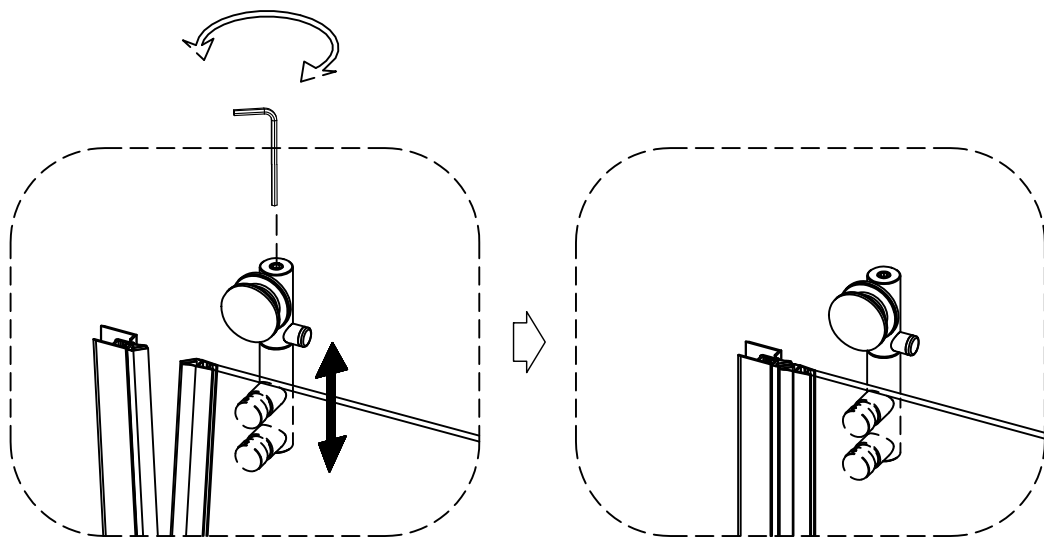




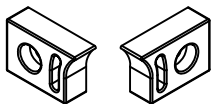
- 9  X2
- 10  X1
- 11  X1
- 12  X1
- 13  X1
- 14  X1
- 30  X1







23



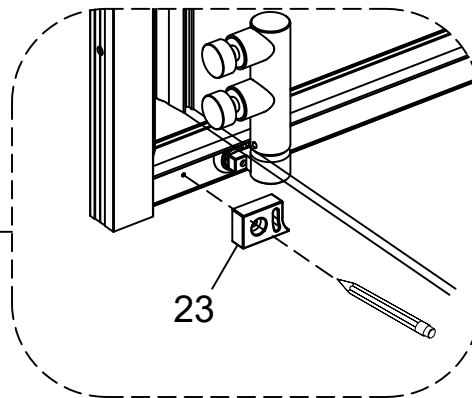
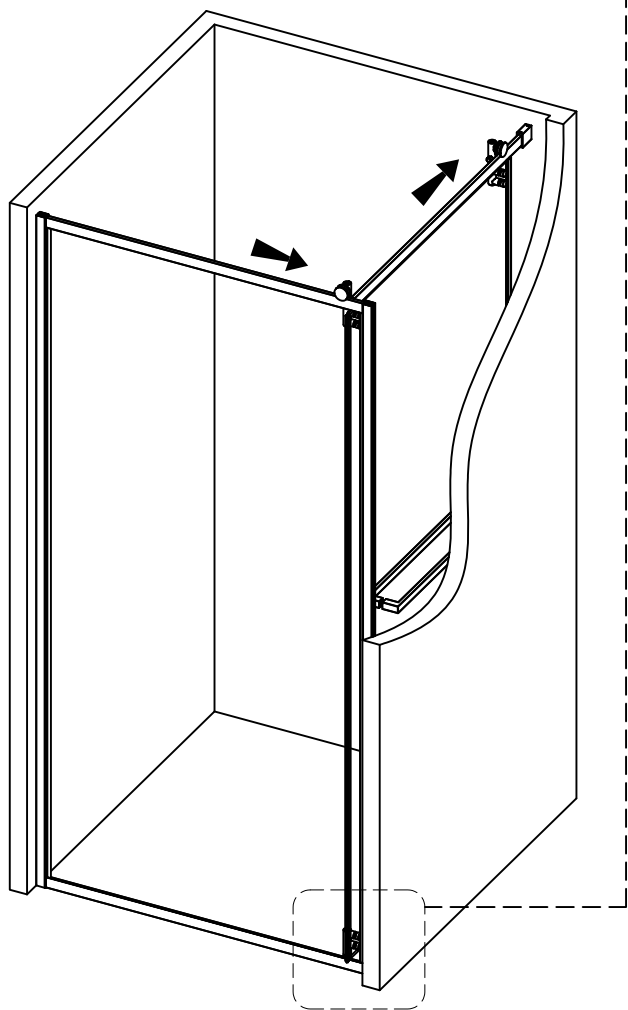
X1

24

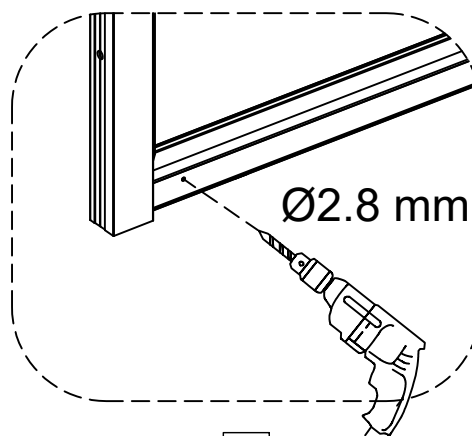


ST3.9X9.5

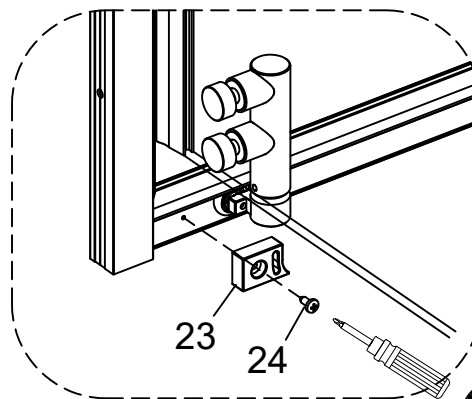
X1



23

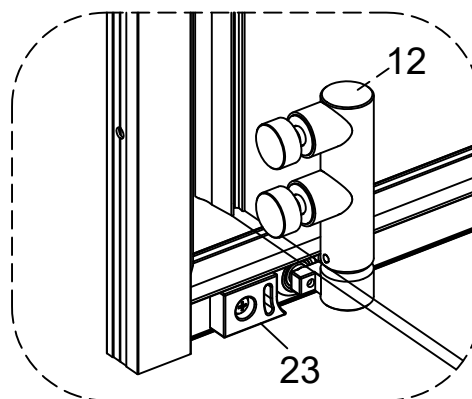


Ø2.8 mm



23

24



23

12

