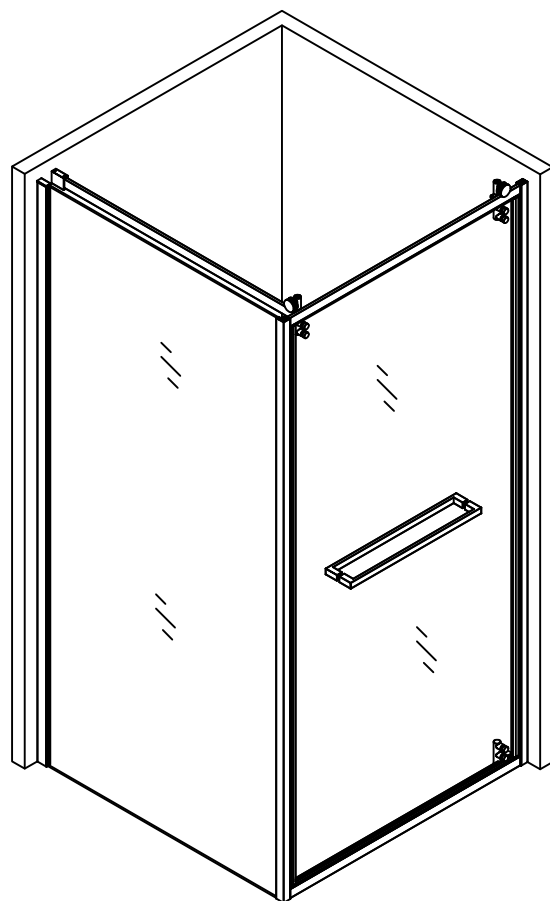
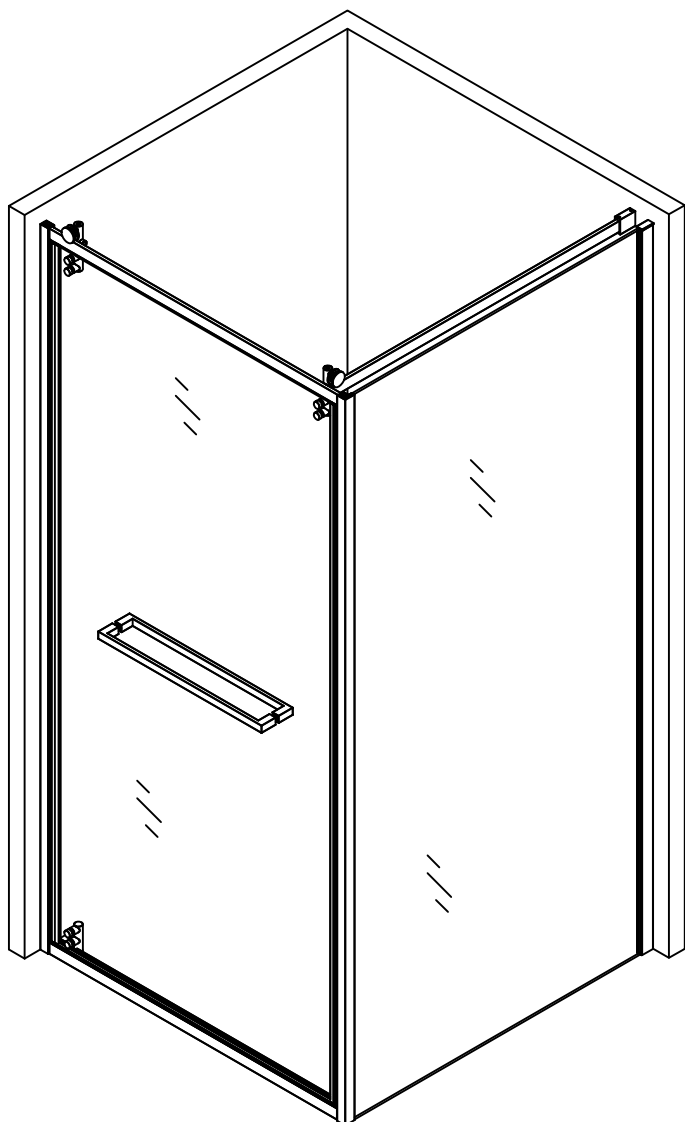
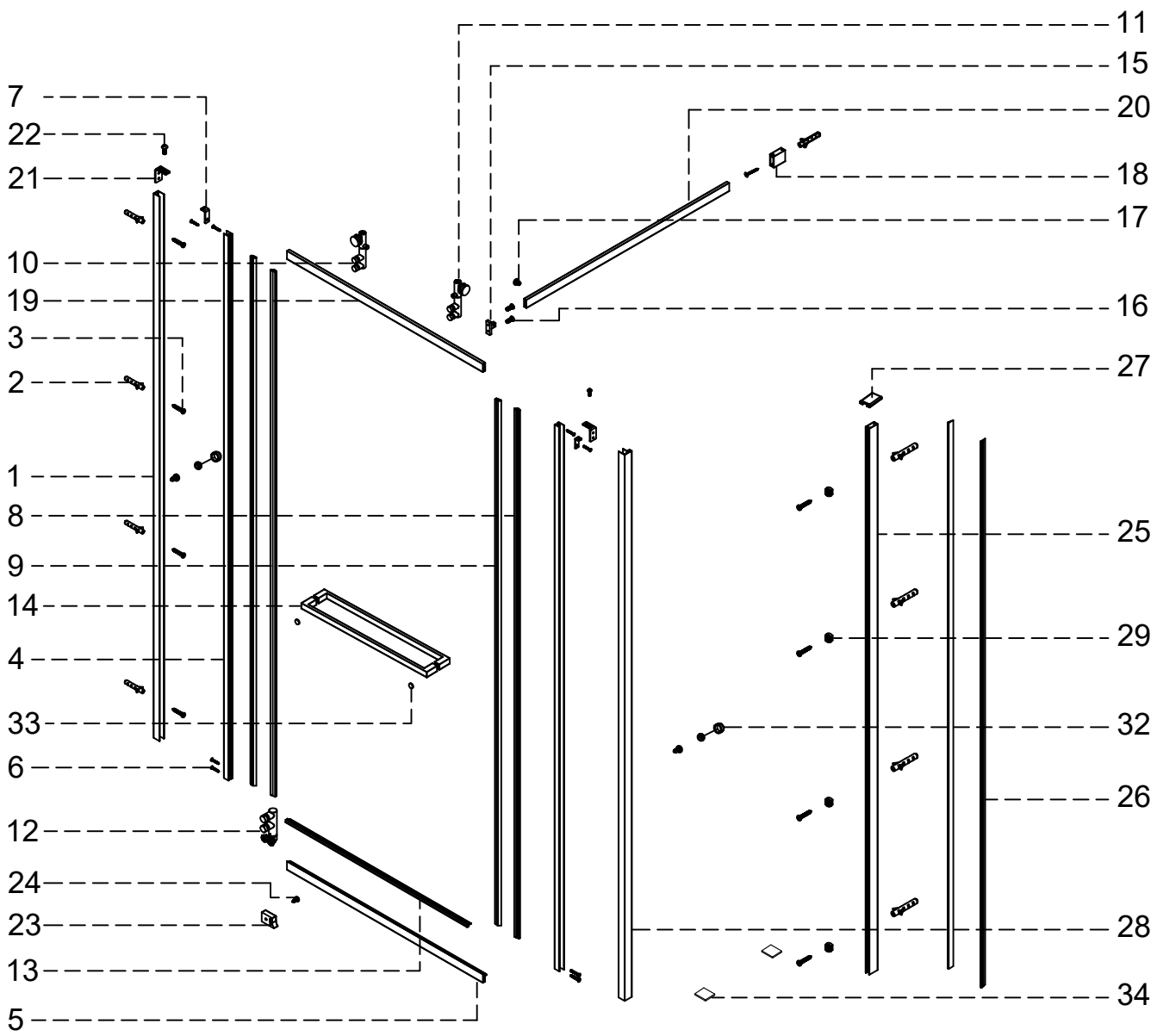
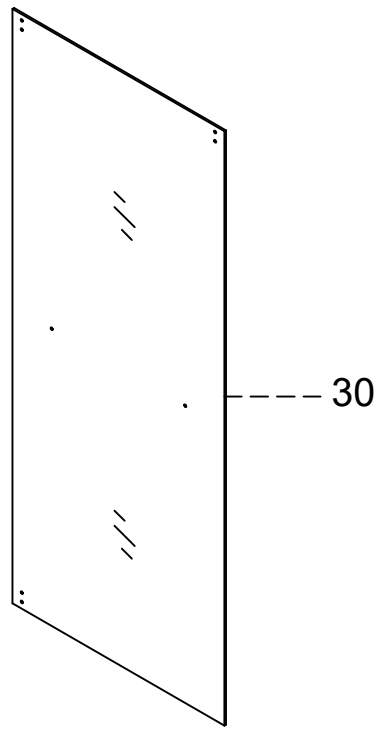
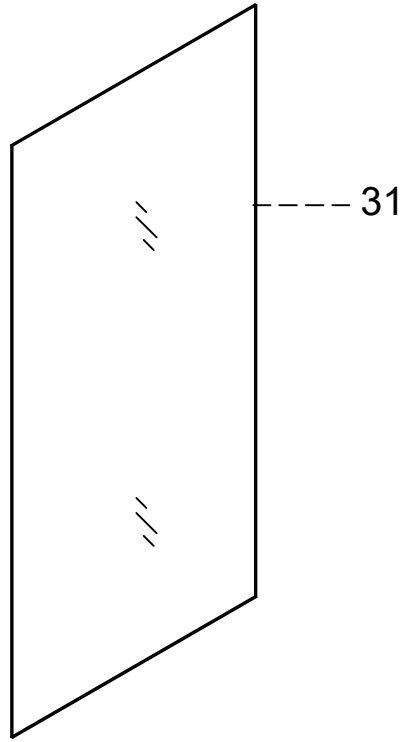


B+D+E

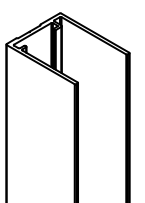



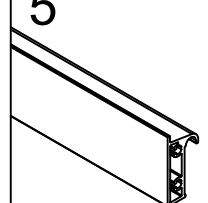



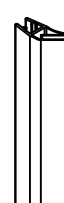
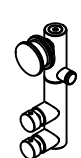

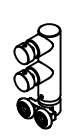
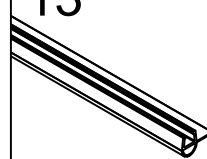
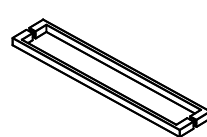
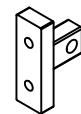
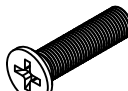

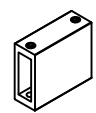
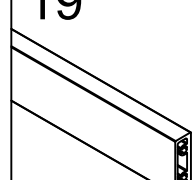
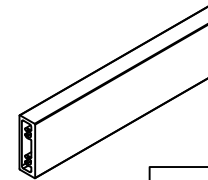
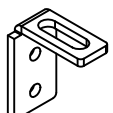
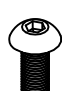
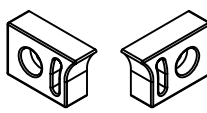

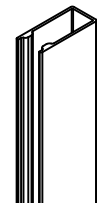
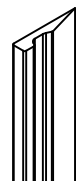
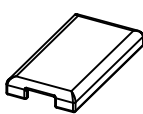
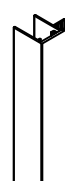



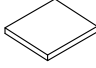

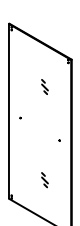
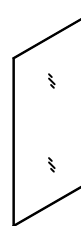


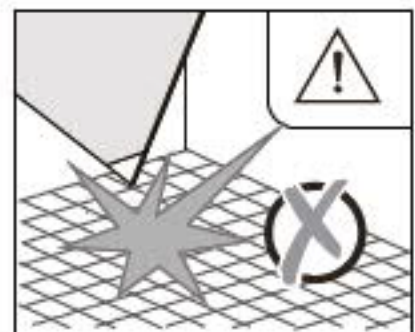
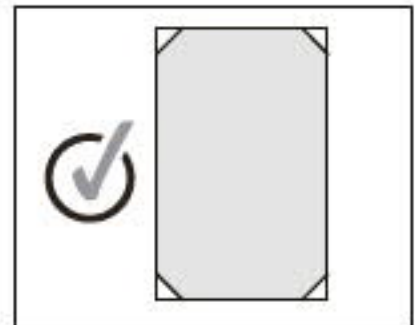
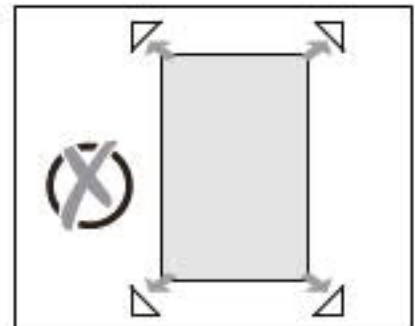
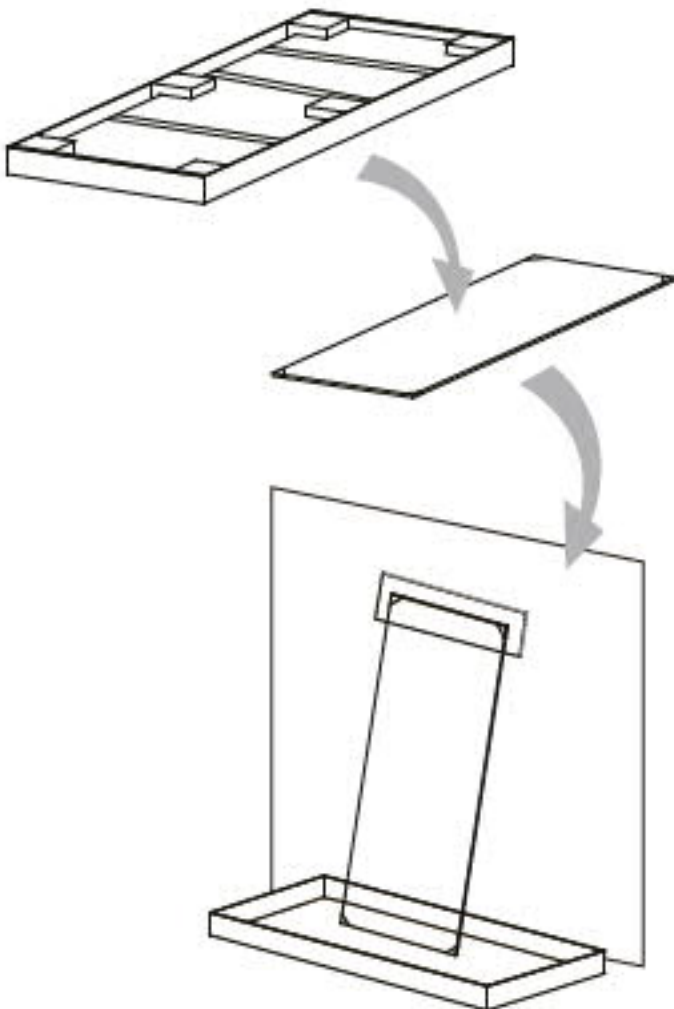
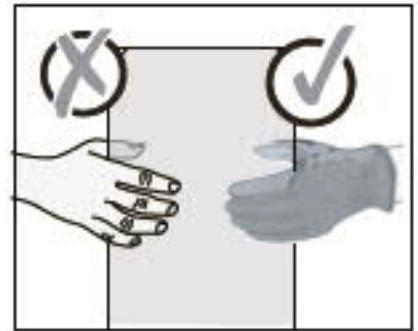
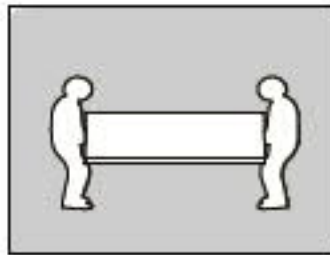
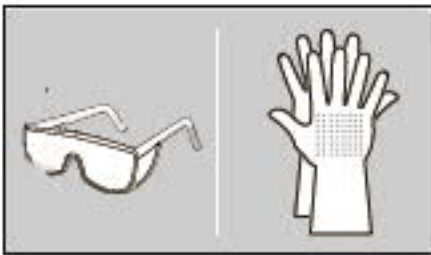
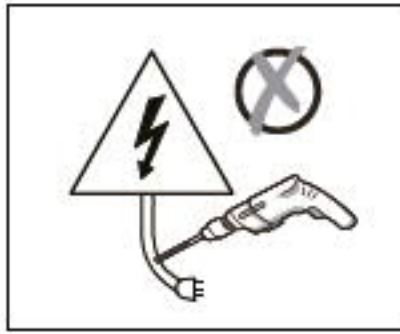
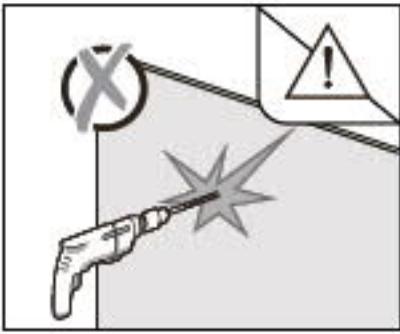
B**D****E**

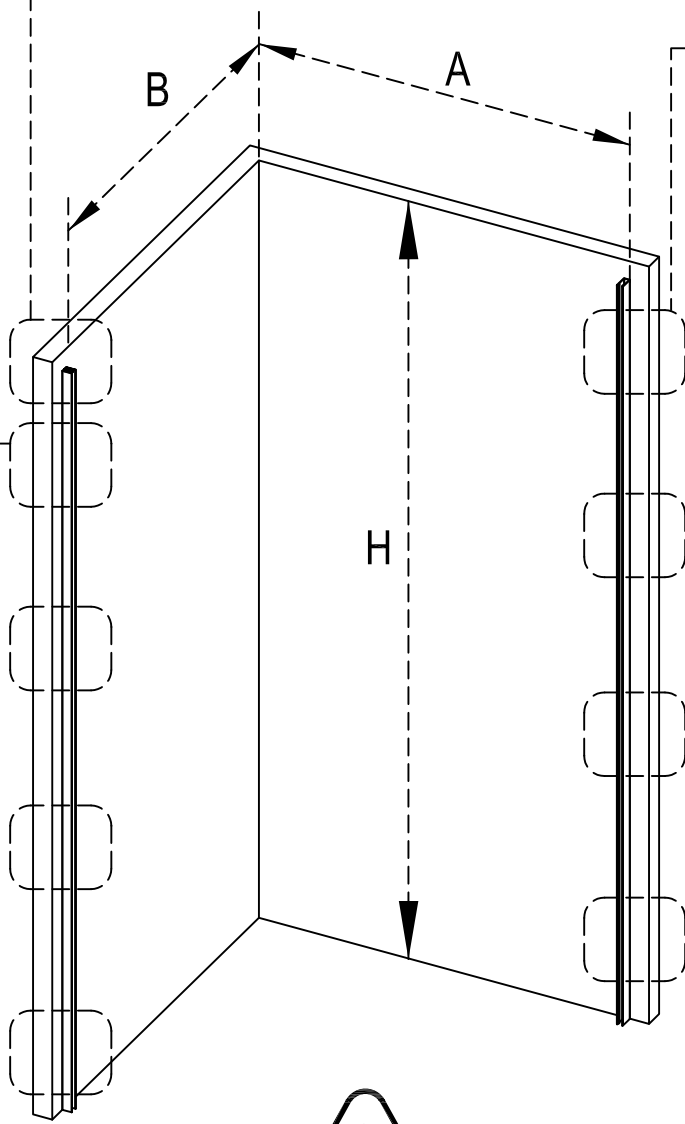
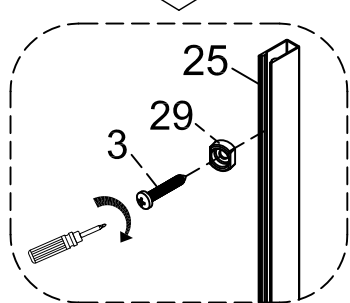
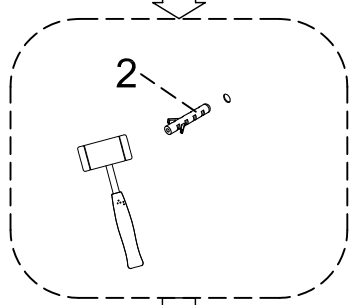
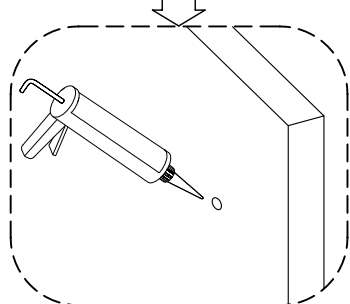
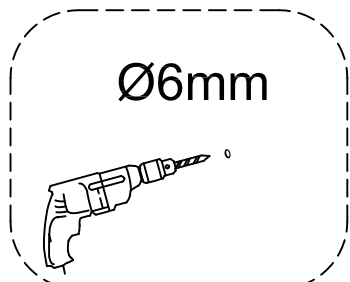
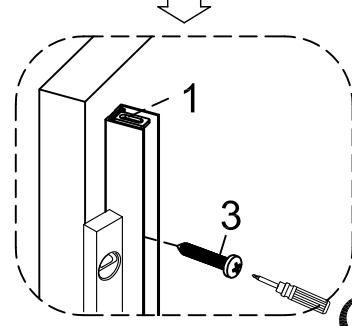
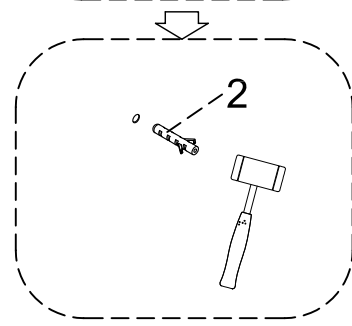
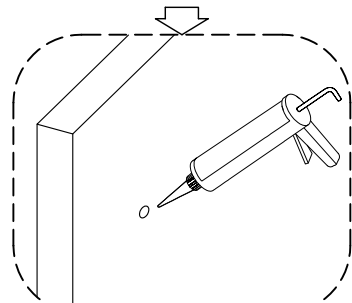
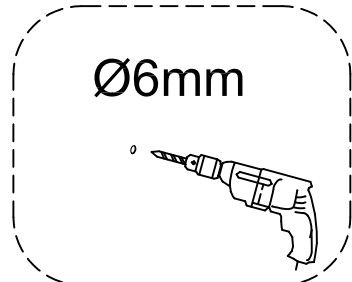
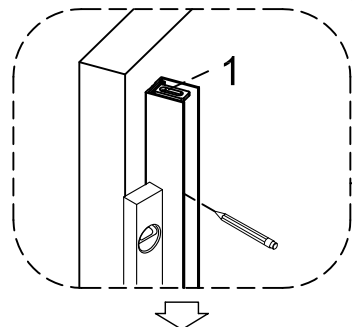
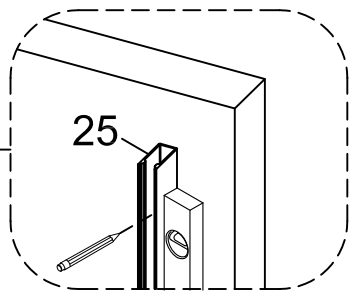
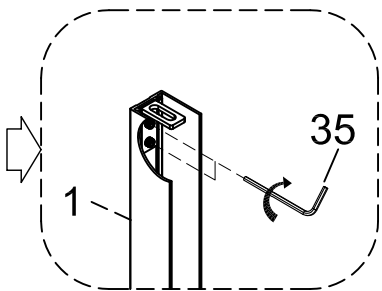
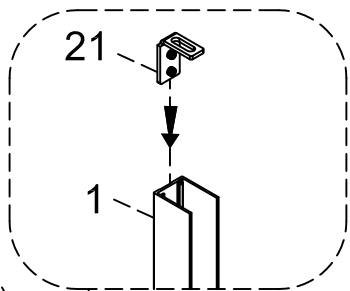
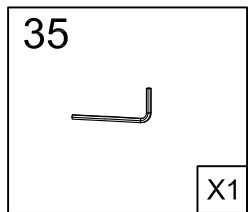
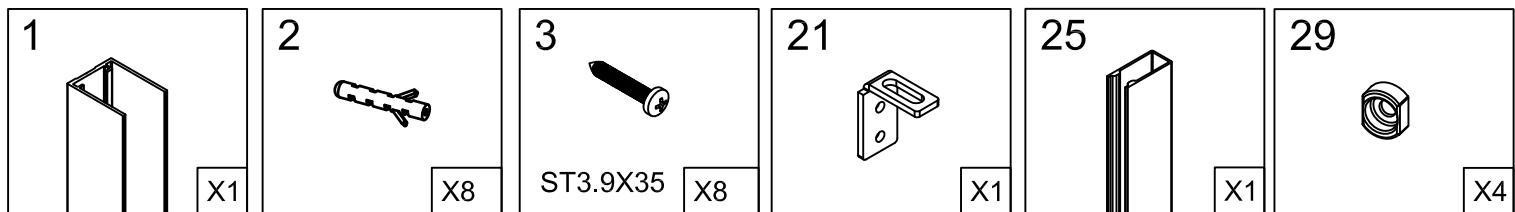
Ersatzteile / Spare Parts

Pos.	Art.-Nr. SET21	Art.-Nr. SET10	Art.-Nr. SET79	Bezeichnung/ Description
	Silberglanz/ chrom	Schwarz/ black	Brushed Gold	
1	ZB 6Y1155-01-C	ZB 6Y1155-01-B	ZB 6Y1155-01-G	Wandprofil außen/ wall profile outside
4	ZB 6Y1155-04-C	ZB 6Y1155-04-B	ZB 6Y1155-04-G	Wandprofil innen/ wall profile inside
5	ZB 6Y1155-05-C	ZB 6Y1155-05-B	ZB 6Y1155-05-G	Führungsprofil unten/ guide profile below
7	ZB 6Y1155-07	ZB 6Y1155-07	ZB 6Y1155-07	Winkel/ angel
8	ZB 6Y1155-08	ZB 6Y1155-08-B	ZB 6Y1155-08	Magnetdichprofil Wand/ magnetic profile wall
9	ZB 6Y1155-09	ZB 6Y1155-09-B	ZB 6Y1155-09	Magnetdichprofil Glas/ magnetic profile glas
10	ZB 6Y1155-10-C	ZB 6Y1155-10-B	ZB 6Y1155-10-G	Laufrolle vorne/ roller front
11	ZB 6Y1155-11-C	ZB 6Y1155-11-B	ZB 6Y1155-11-G	Laufrolle Seite/ roller side
12	ZB 6Y1155-12-C	ZB 6Y1155-12-B	ZB 6Y1155-12-G	Laufrolle unten/ roller below
13	ZB 6Y1155-13	ZB 6Y1155-13-B	ZB 6Y1155-13	Wasserabweisprofil/ water repellent profile
14	ZB 6Y1155-14-C	ZB 6Y1155-14-B	ZB 6Y1155-14-G	Griff/ handle
15	ZB 6Y1155-15-C	ZB 6Y1155-15-B	ZB 6Y1155-15-G	Führungsschuh/ guide shoe
18	ZB 6Y1155-18-C	ZB 6Y1155-18-B	ZB 6Y1155-18-G	Wandhalter/ wall bracket
19	ZB 6Y1155-19-C	ZB 6Y1155-19-B	ZB 6Y1155-19-G	Führungsprofil oben/ guide profile above
20	ZB 6Y1155-20-C	ZB 6Y1155-20-B	ZB 6Y1155-20-G	Führungsprofil hinten/ guide profile behind
21	ZB 6Y1155-21	ZB 6Y1155-21	ZB 6Y1155-21	Verstellwinkel/ adjust angle
23	ZB 6Y1155-23	ZB 6Y1155-23	ZB 6Y1155-23	Anschlagpuffer/ stop buffer
25	ZB 6Y1155-25-C	ZB 6Y1155-25-B	ZB 6Y1155-25-G	Wandprofil/ wall profile
26	ZB 6Y1155-26	ZB 6Y1155-26	ZB 6Y1155-26-G	Keildichtung/ wedge seal
27	ZB 6Y1155-27-C	ZB 6Y1155-27-B	ZB 6Y1155-27-G	Abdeckkappe/ cover cap
28	ZB 6Y1155-28-C	ZB 6Y1155-28-B	ZB 6Y1155-28-G	Eckverbindungsprofil/ corner connection profile
29	ZB 6Y1155-29	ZB 6Y1155-29	ZB 6Y1155-29	Hülse/ sleeve
32	ZB 6Y1155-32-C	ZB 6Y1155-32-B	ZB 6Y1155-32-G	Abdeckhülse/ cover sleeve
2- 3- 6- 16- 17- 22- 24- 33- 34	ZB 6Y1155 MB	ZB 6Y1155 MB	ZB 6Y1155 MB	Montagebeutel/ assembly bag

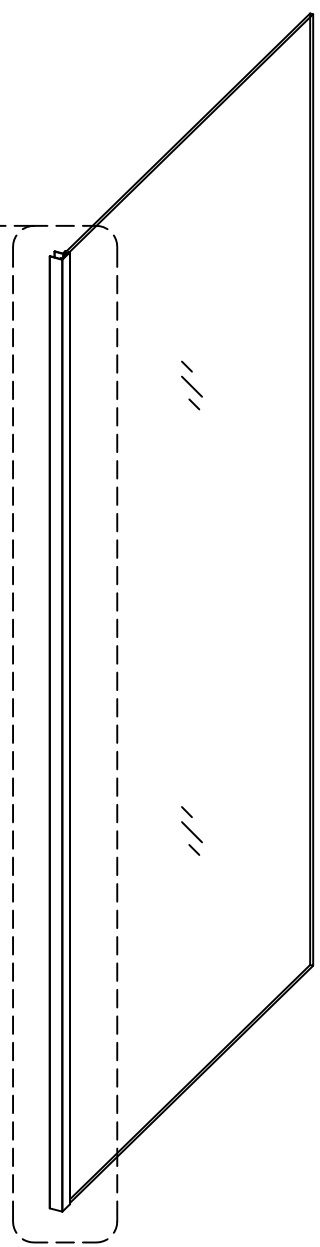
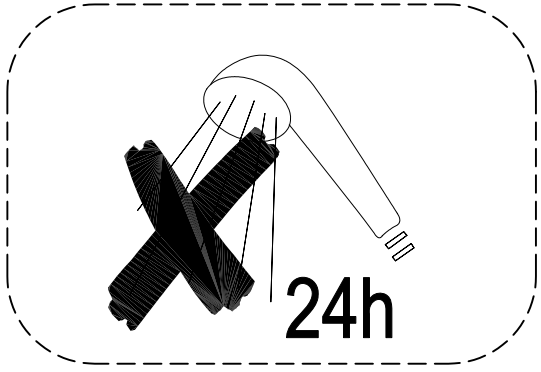
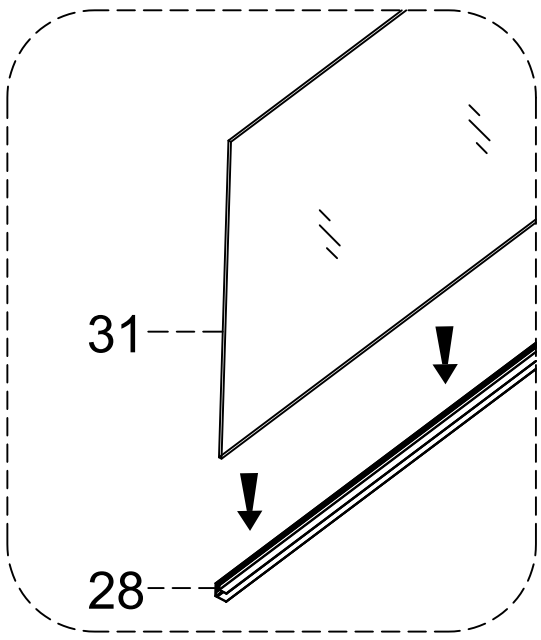
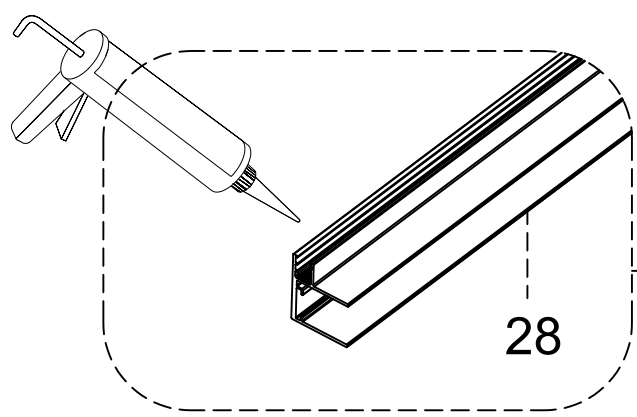
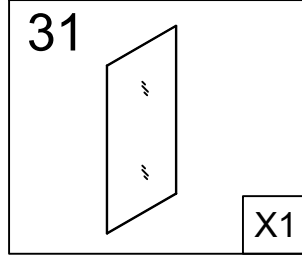
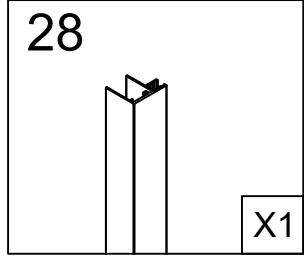
B

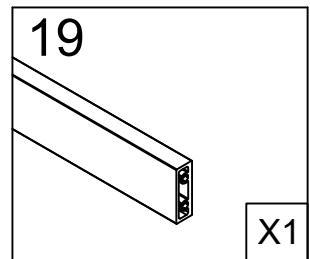
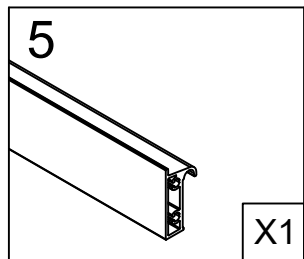
 <p>1</p> <p>X1</p>	 <p>2</p> <p>X9</p>	 <p>3</p> <p>ST3.9X35</p> <p>X8</p>	 <p>4</p> <p>X2</p>	 <p>5</p> <p>X1</p>
 <p>6</p> <p>ST3.9X35</p> <p>X9</p>	 <p>7</p> <p>X2</p>	 <p>8</p> <p>X2</p>	 <p>9</p> <p>X2</p>	 <p>10</p> <p>X1</p>
 <p>11</p> <p>X1</p>	 <p>12</p> <p>X1</p>	 <p>13</p> <p>X1</p>	 <p>14</p> <p>X1</p>	 <p>15</p> <p>X1</p>
 <p>16</p> <p>M3X12</p> <p>X2</p>	 <p>17</p> <p>M5X8</p> <p>X1</p>	 <p>18</p> <p>X1</p>	 <p>19</p> <p>X1</p>	 <p>20</p> <p>X1</p>
 <p>21</p> <p>X2</p>	 <p>22</p> <p>M4X10</p> <p>X2</p>	 <p>23</p> <p>X1</p>	 <p>24</p> <p>ST3.9X9.5</p> <p>X3</p>	 <p>25</p> <p>X1</p>
 <p>26</p> <p>X2</p>	 <p>27</p> <p>X1</p>	 <p>28</p> <p>X1</p>	 <p>29</p> <p>X4</p>	 <p>32</p> <p>X2</p>
 <p>33</p> <p>X2</p>	 <p>34</p> <p>X2</p>	 <p>35</p> <p>SW2</p> <p>X1</p>	 <p>30</p> <p>X1</p>	 <p>31</p> <p>X1</p>



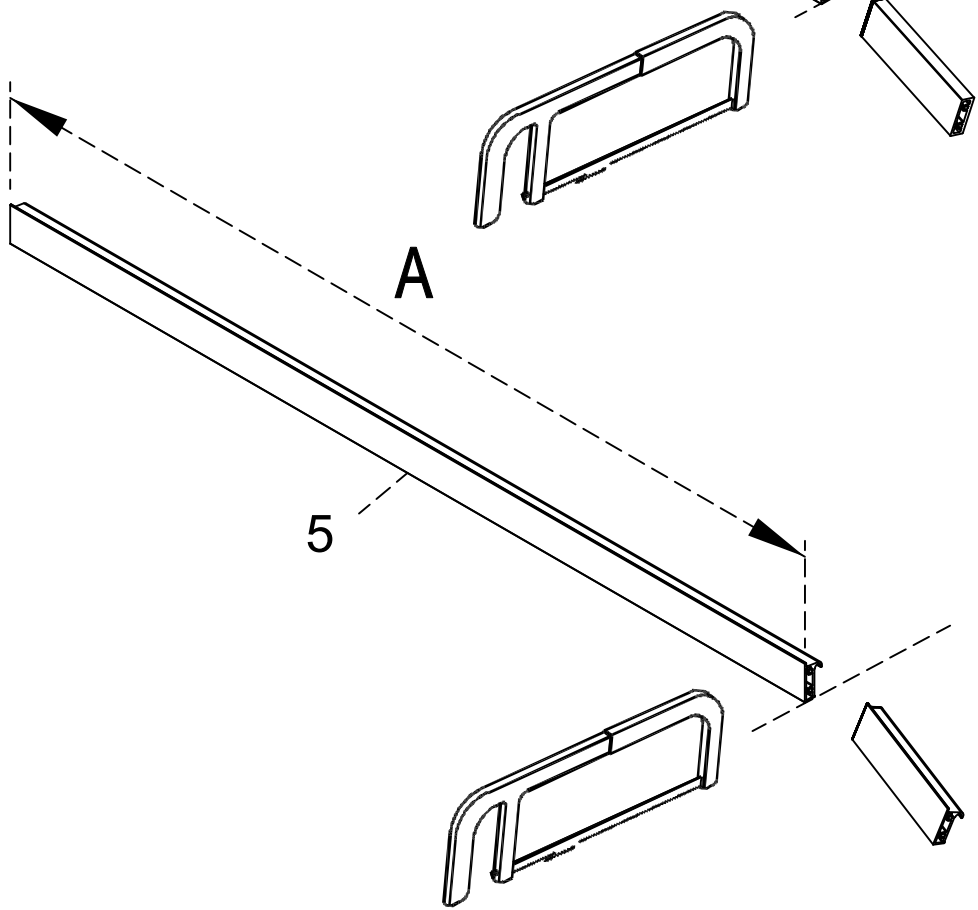
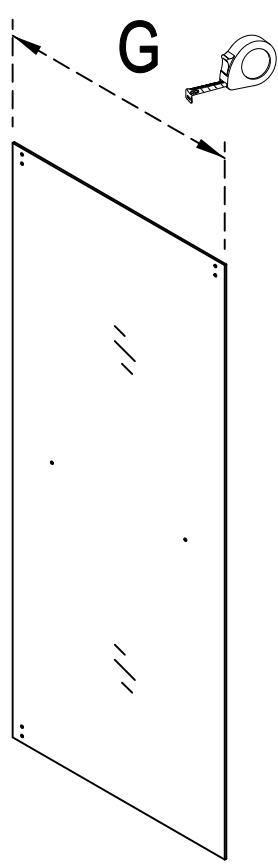
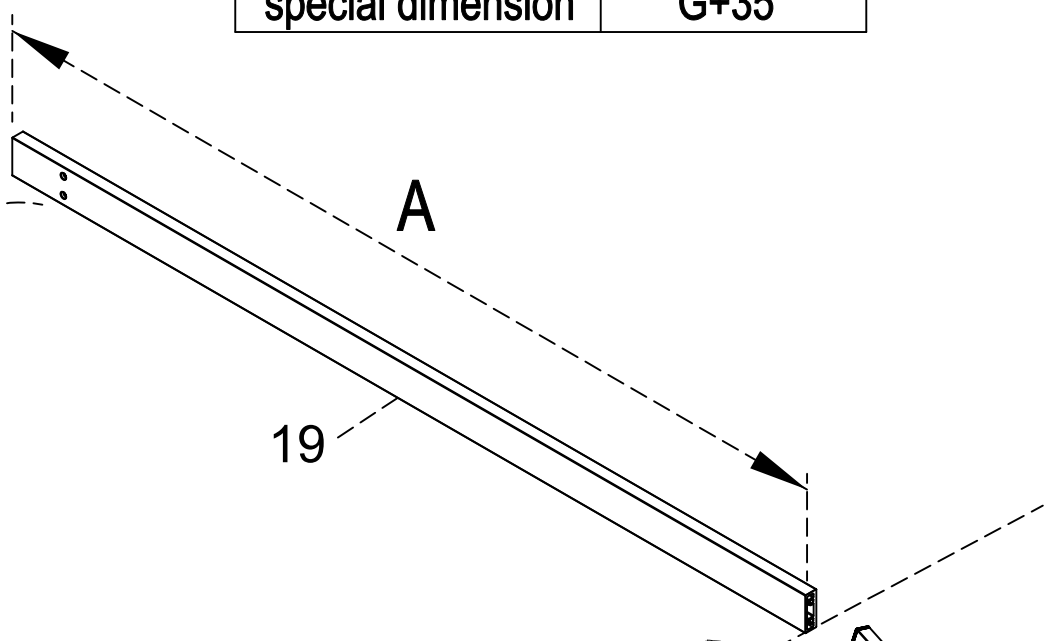
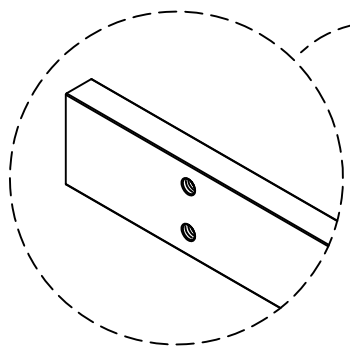


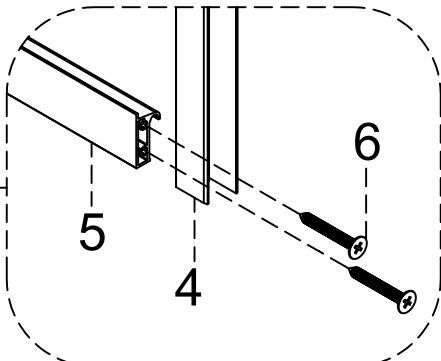
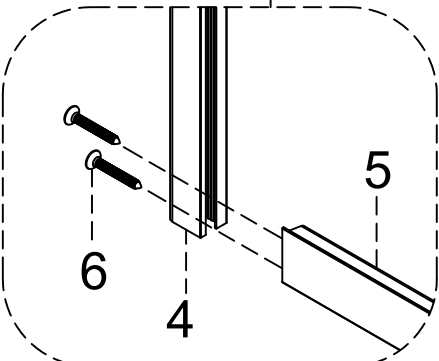
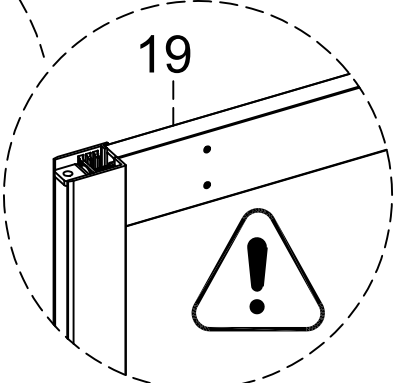
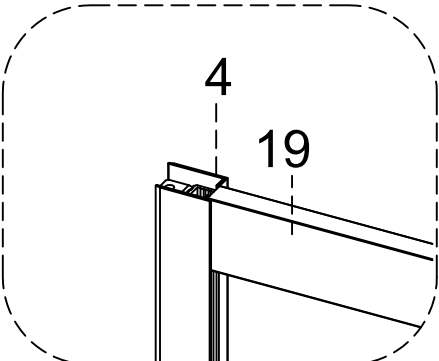
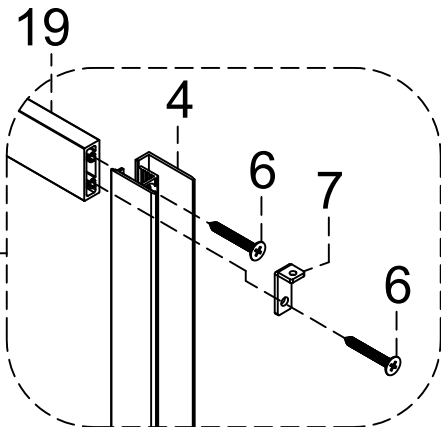
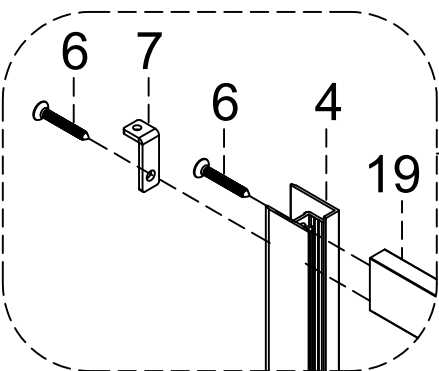
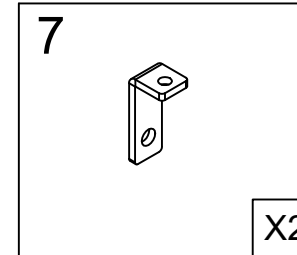
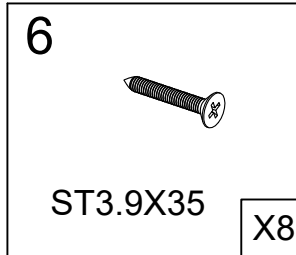
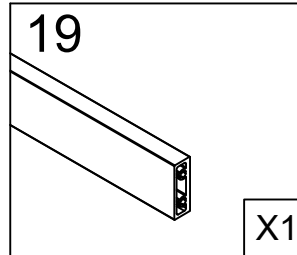
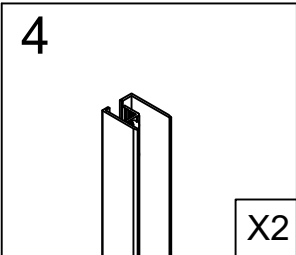
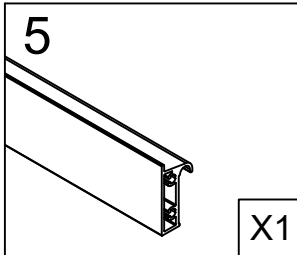
dimension	A (mm)	B (mm)	H (mm)
800-er	774-794	778-798	>2000
900-er	874-894	878-898	
1000-er	974-994	978-998	

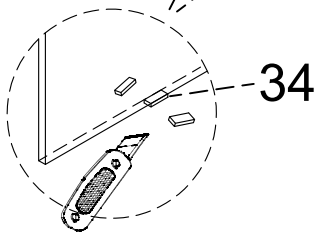
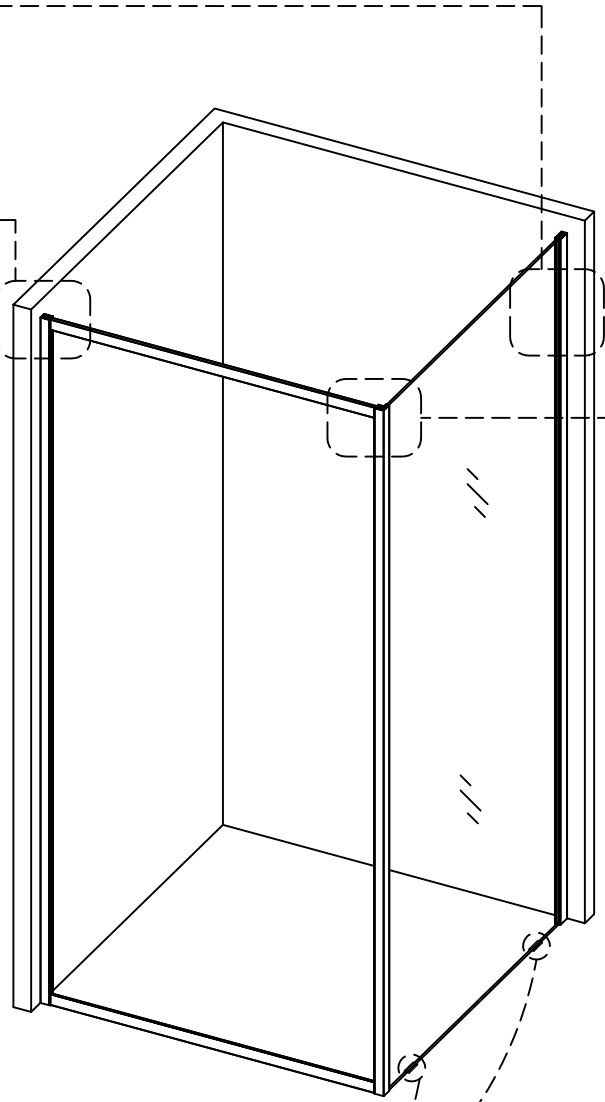
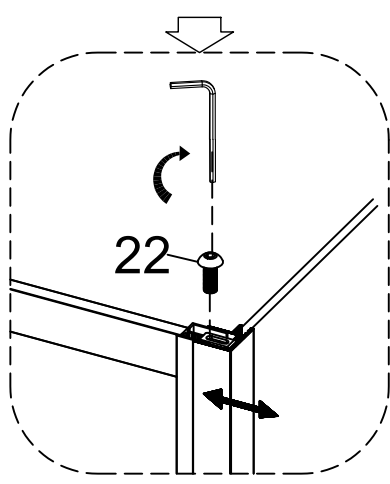
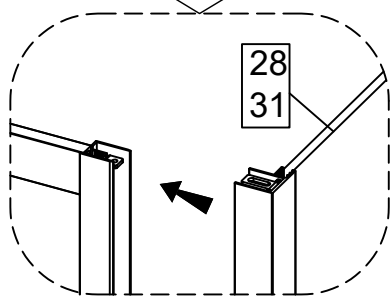
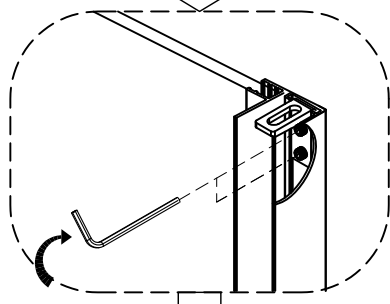
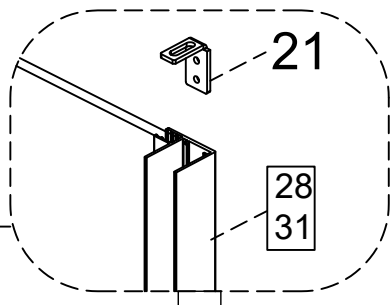
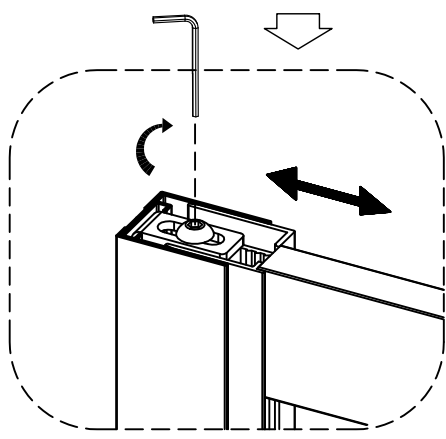
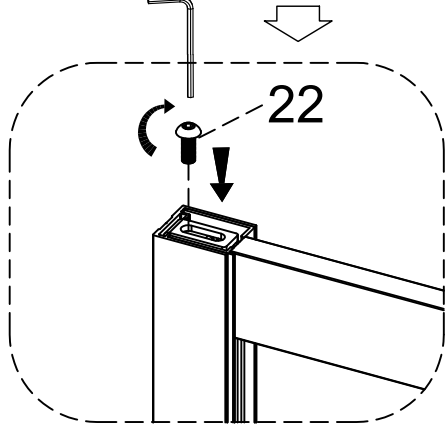
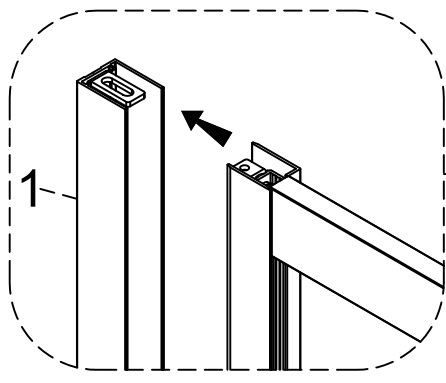
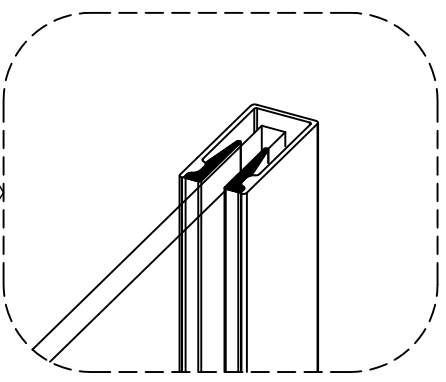
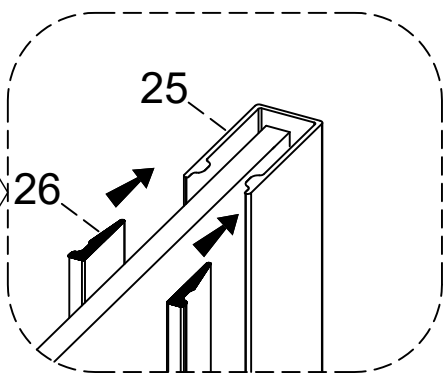
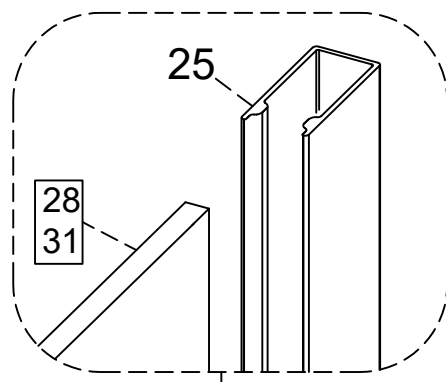
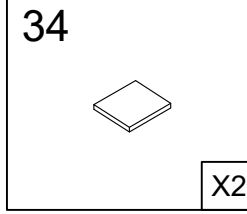
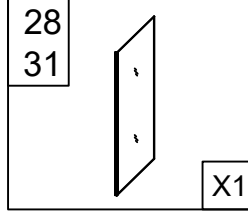
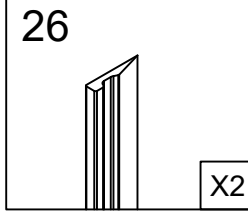
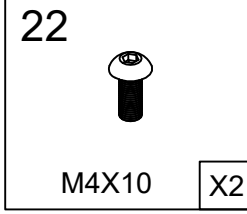
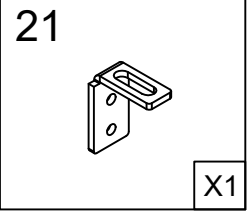


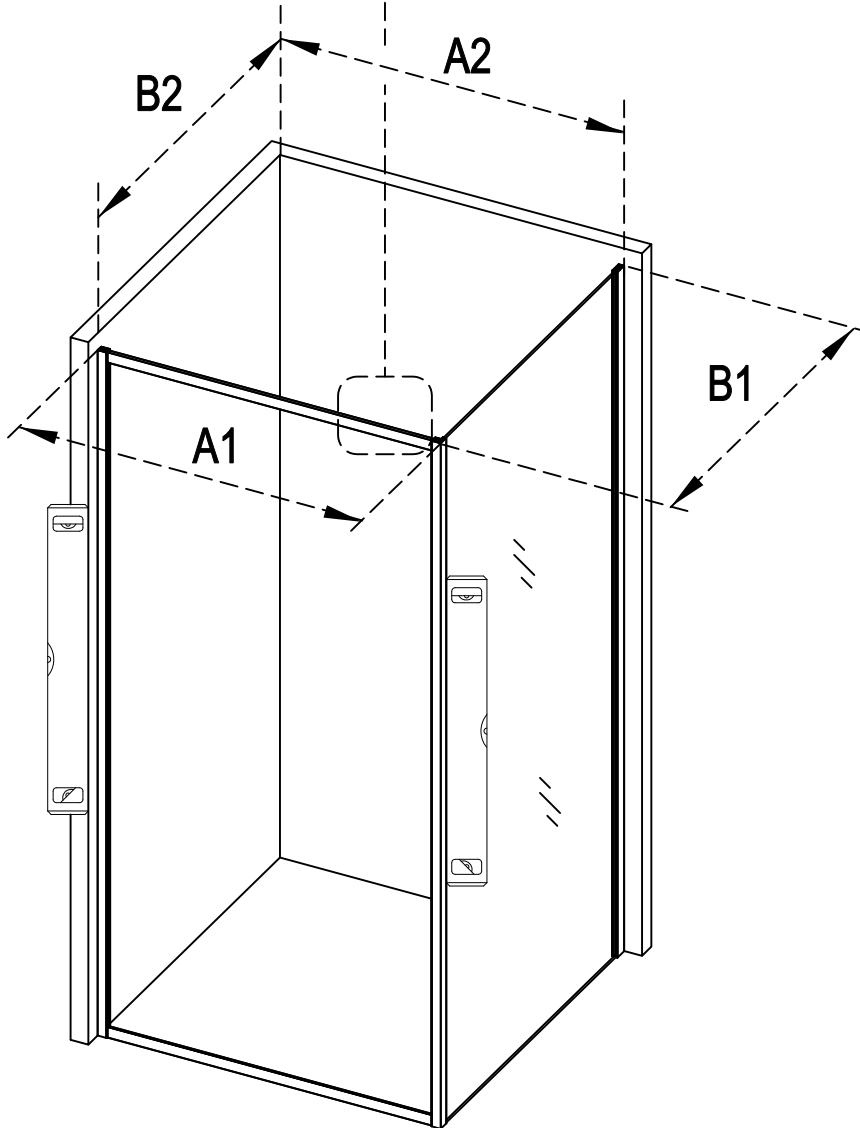
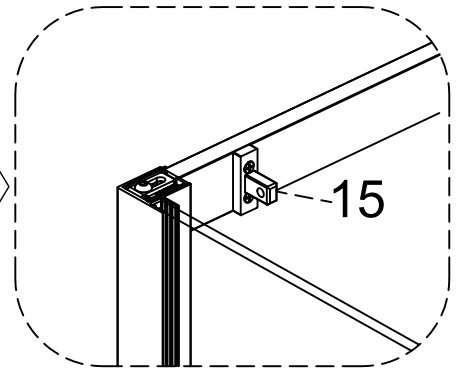
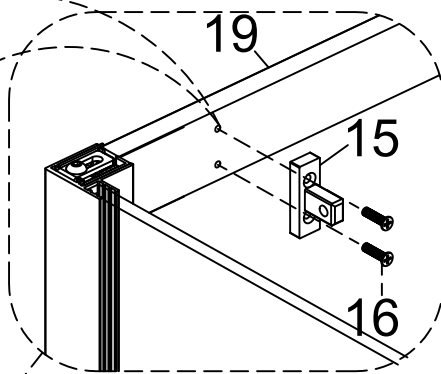
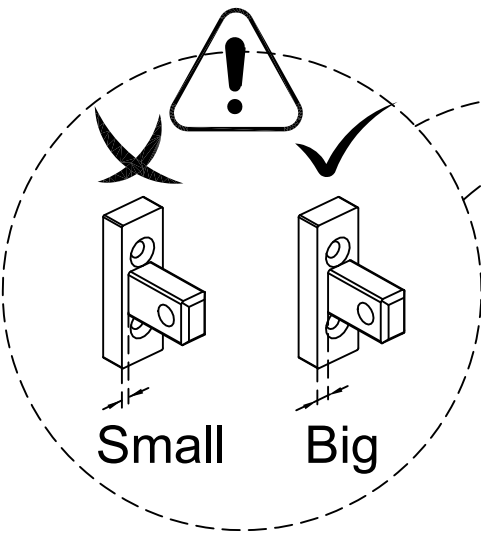
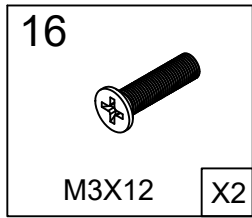
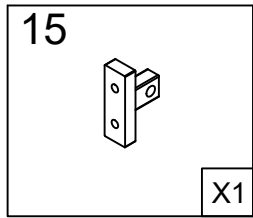


dimension	A (mm)
800-er	720
900-er	820
1000-er	920
special dimension	G+35



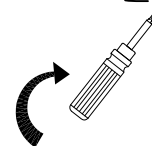
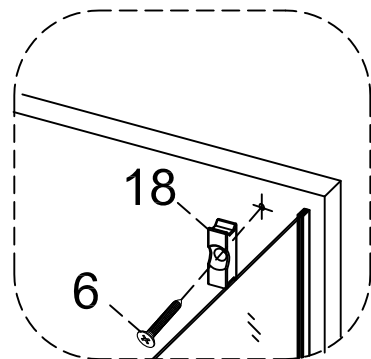
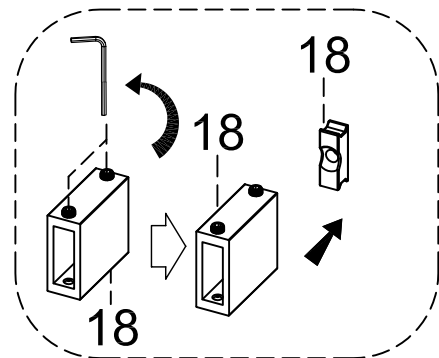
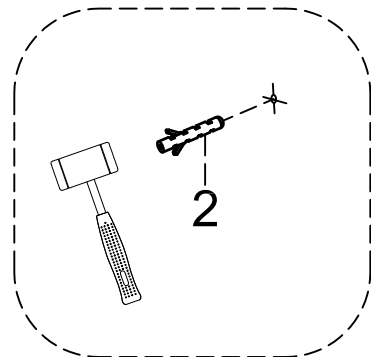
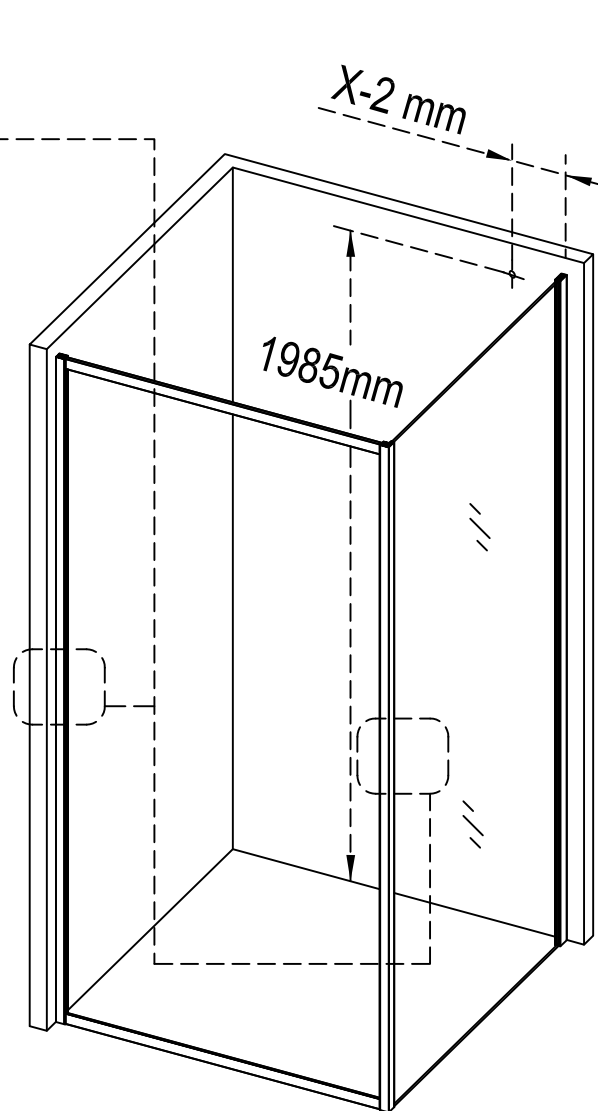
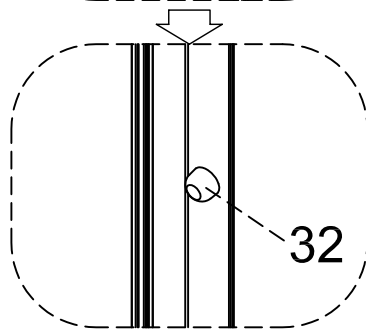
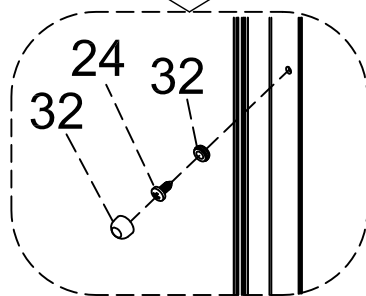
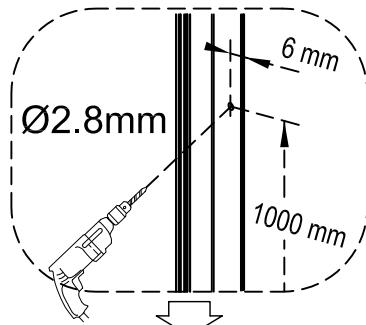
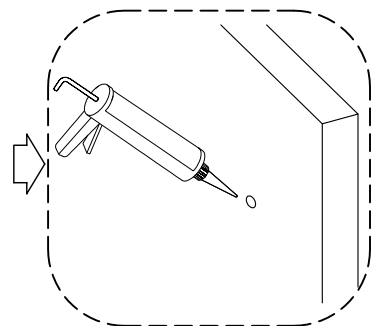
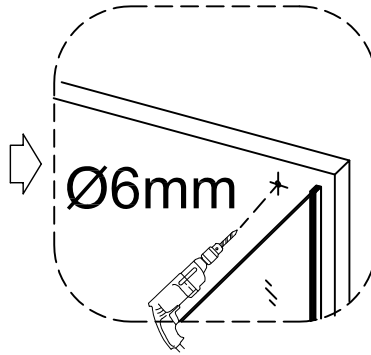
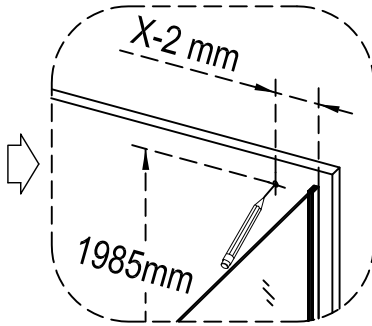
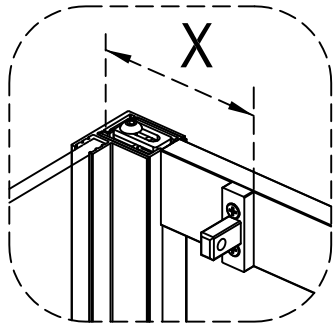
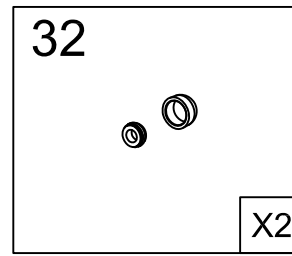
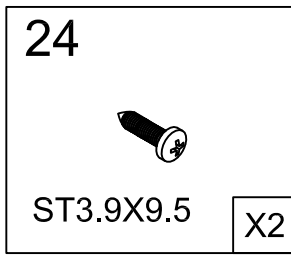
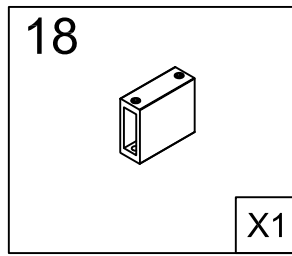
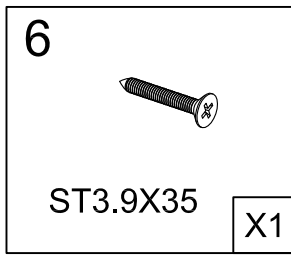
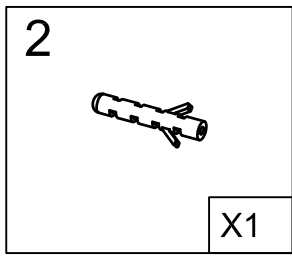


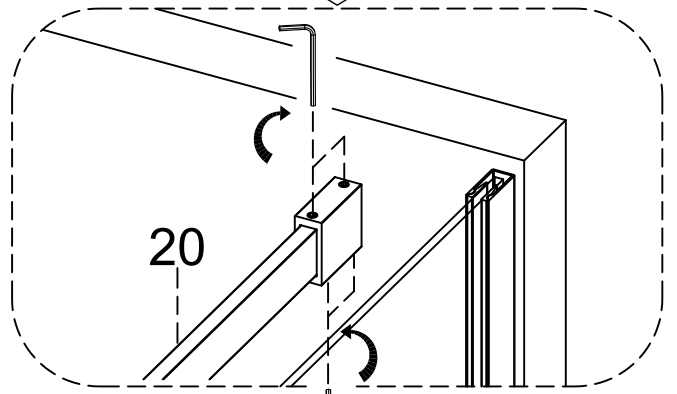
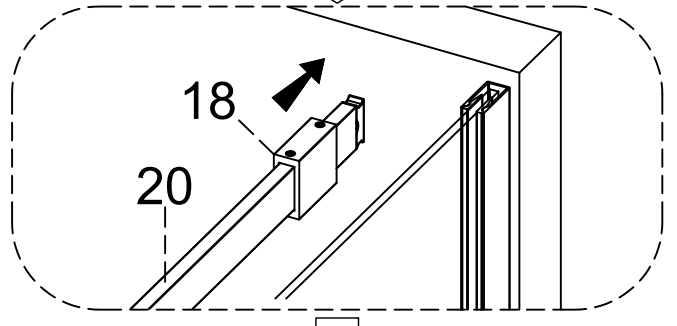
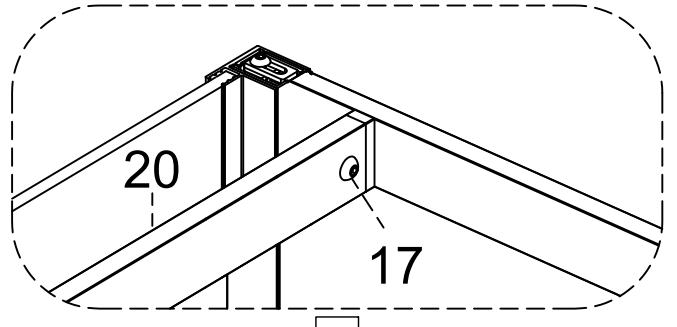
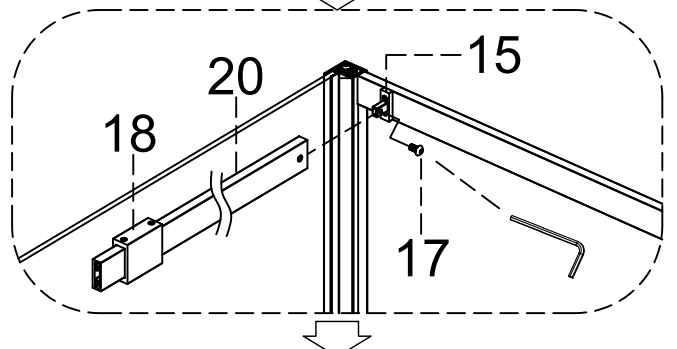
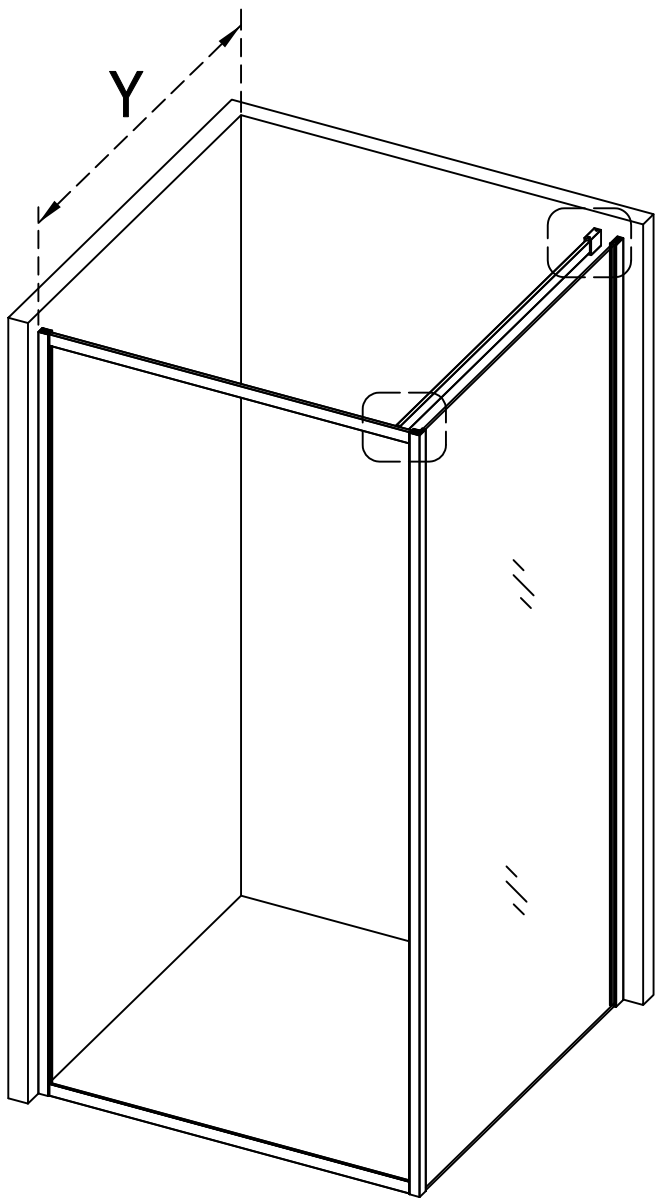
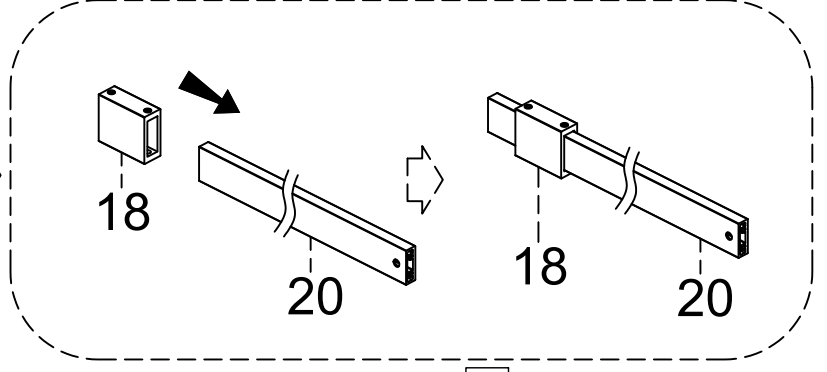
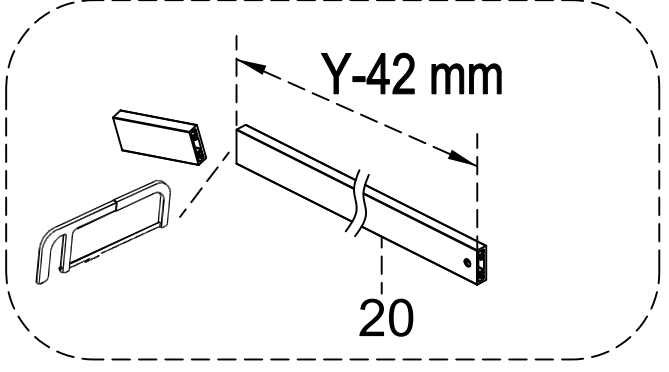
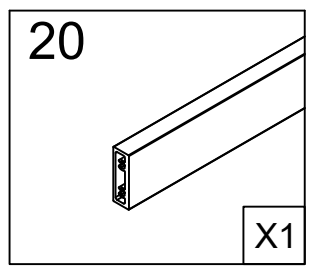
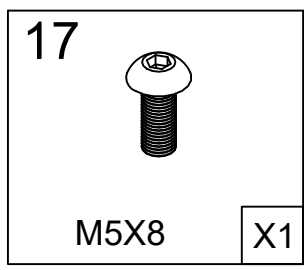


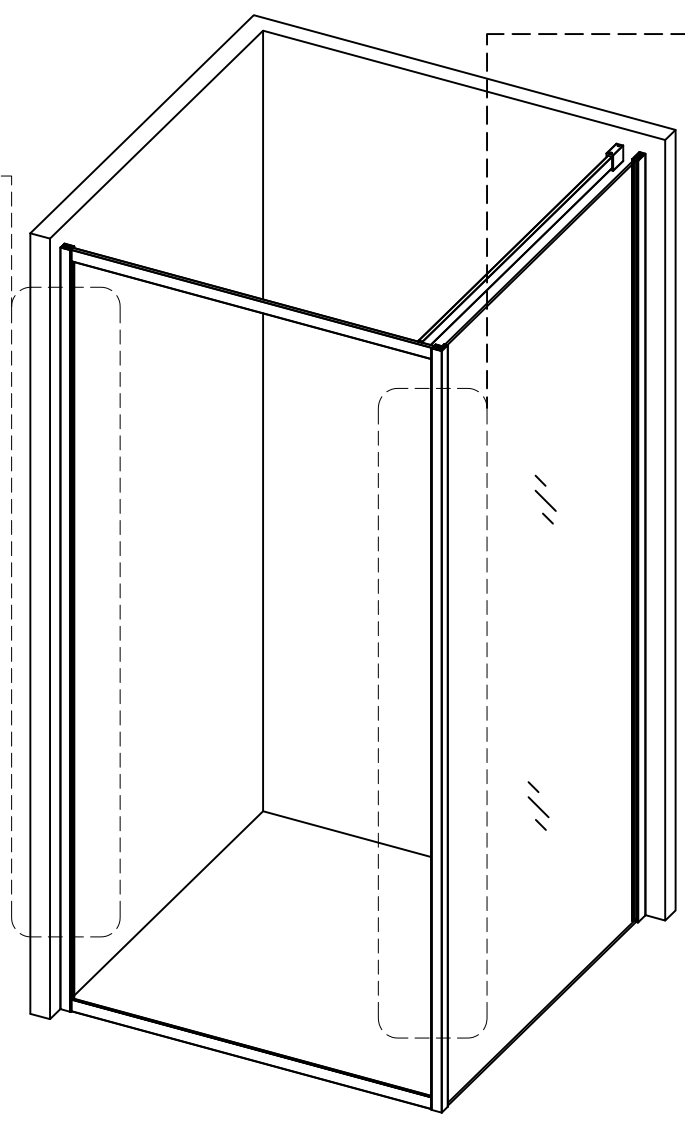
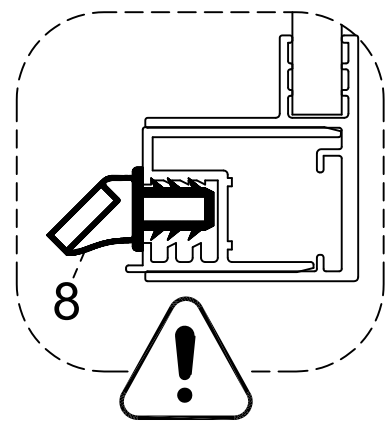
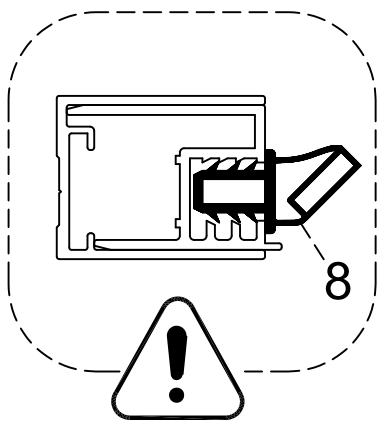
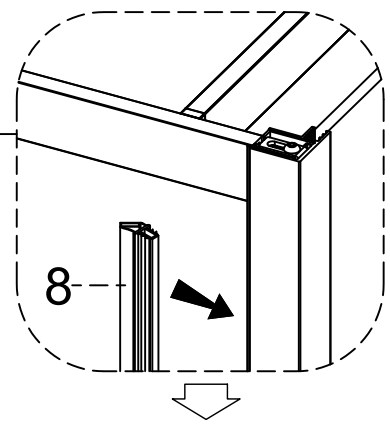
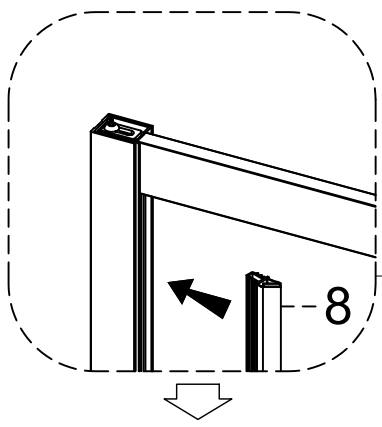
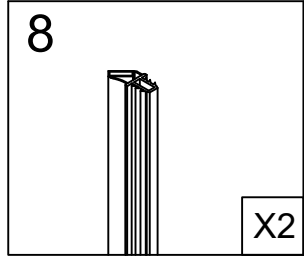


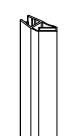
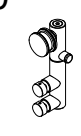
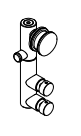
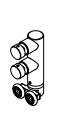
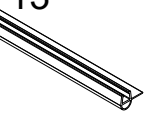
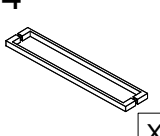
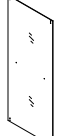
A1=A2

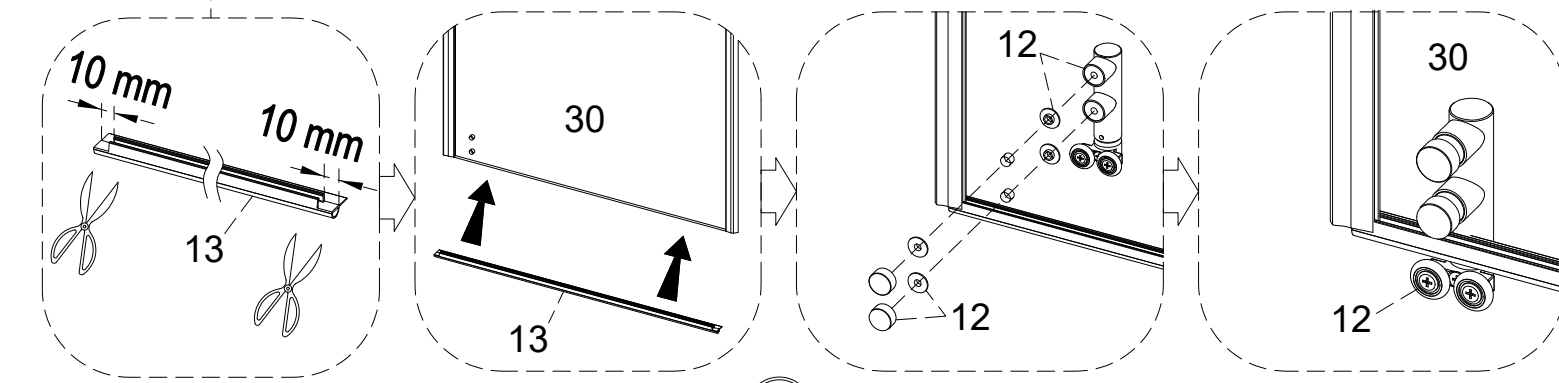
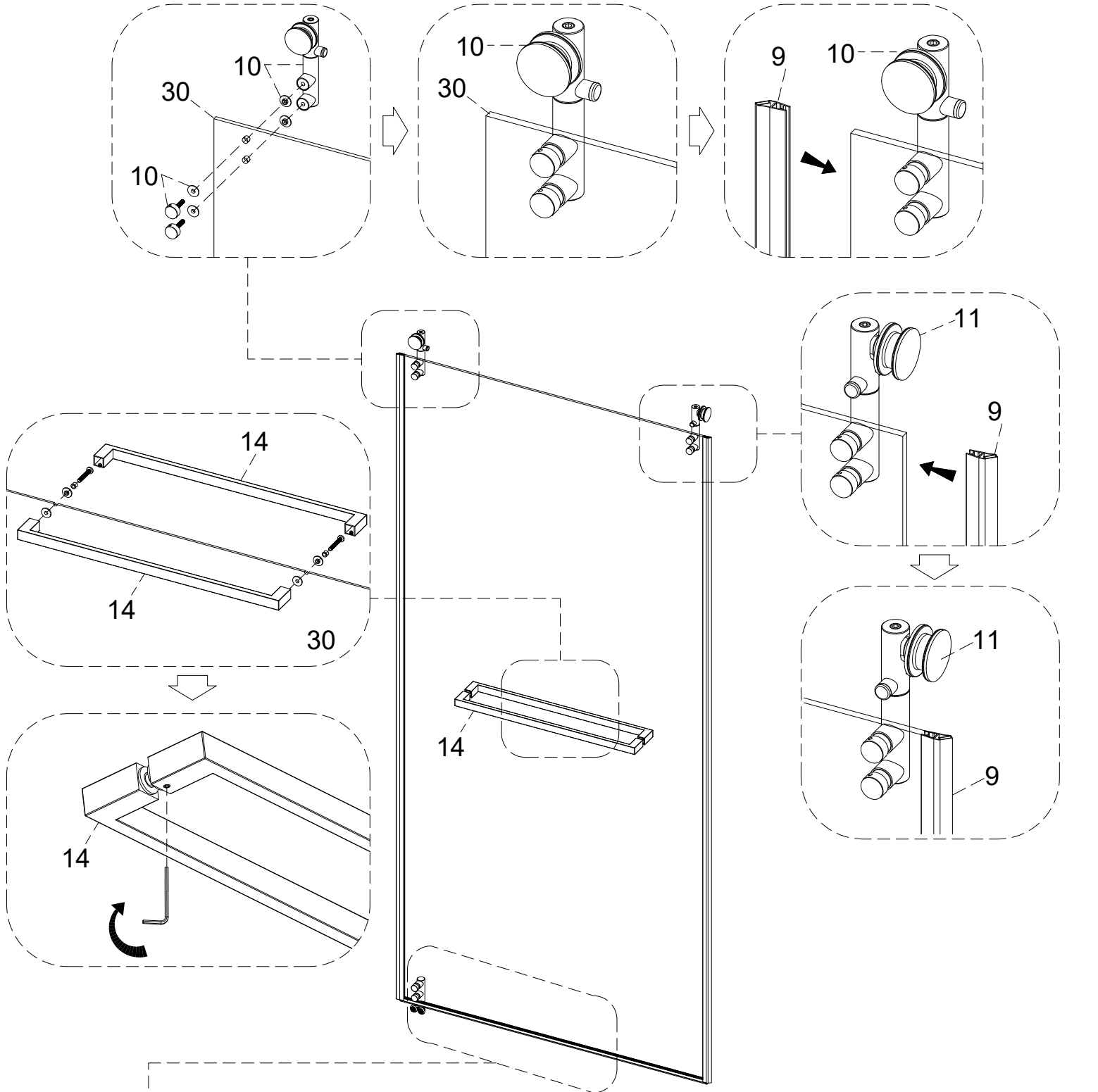
B1=B2

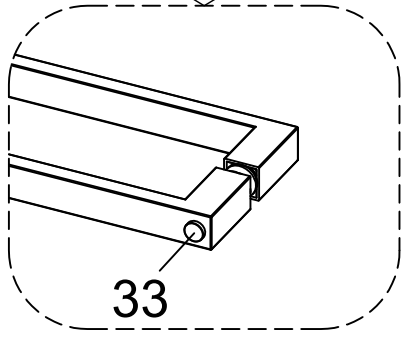
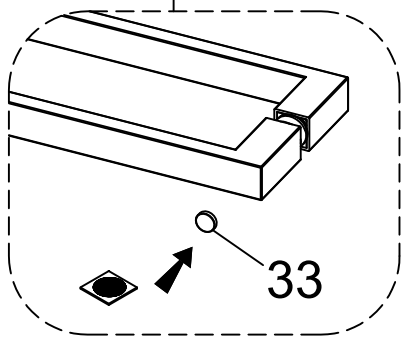
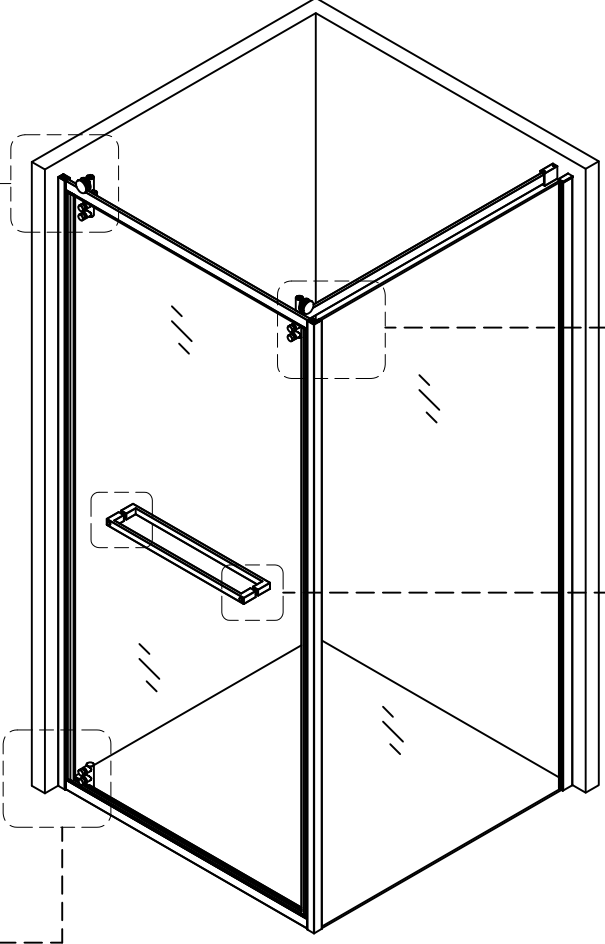
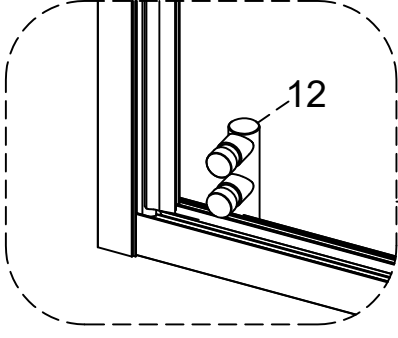
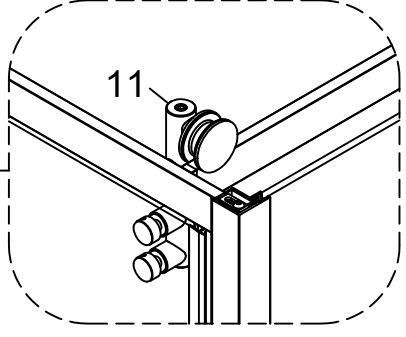
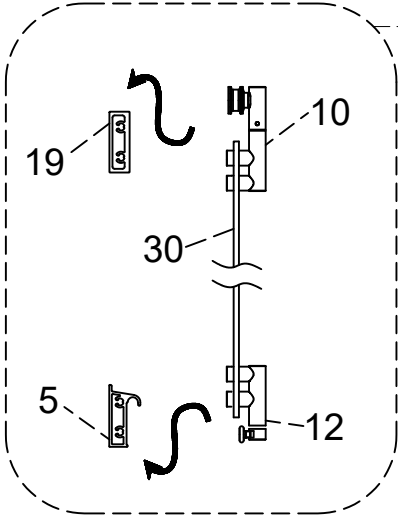
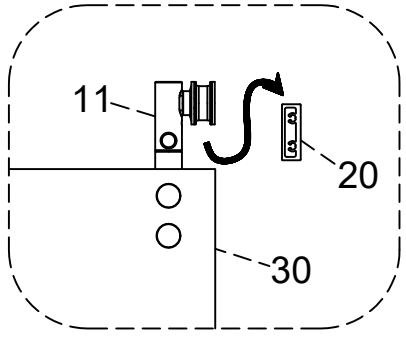
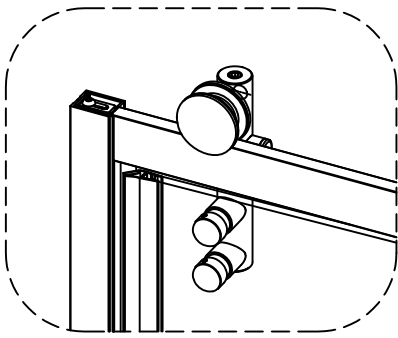
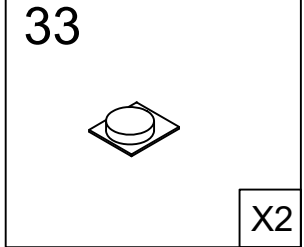


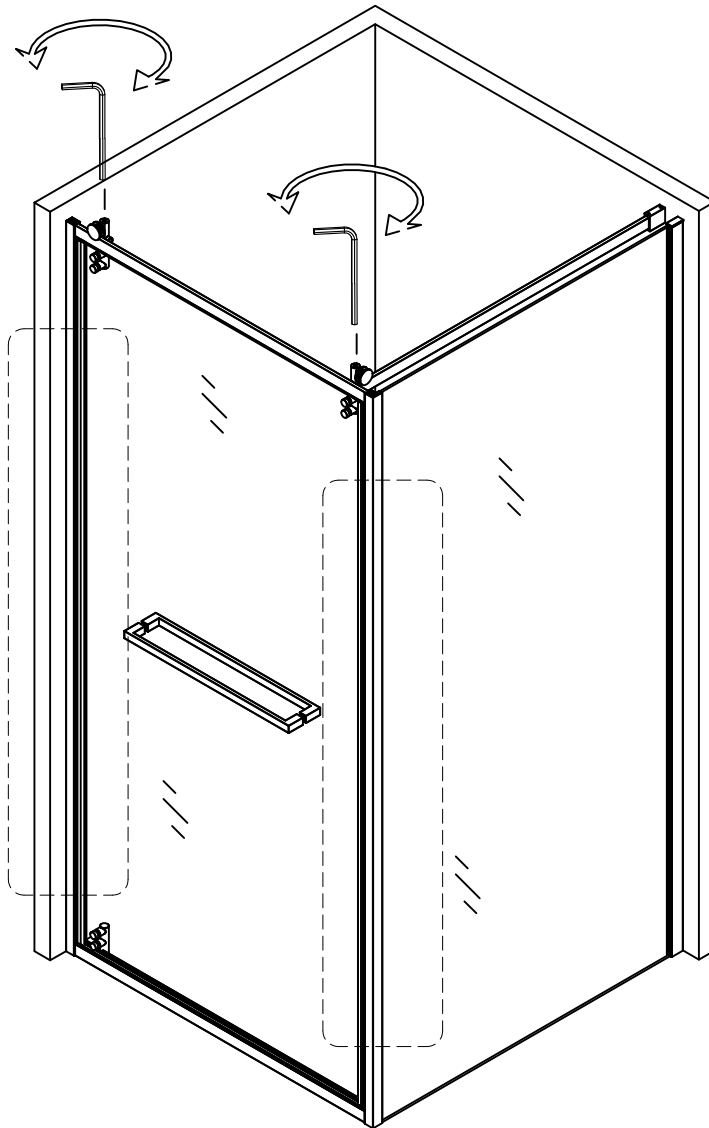
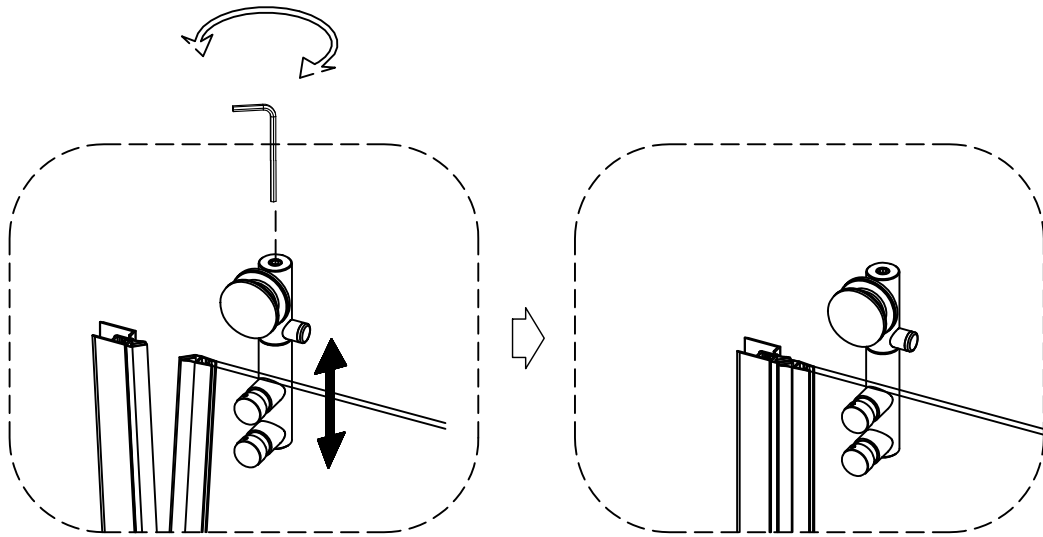




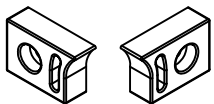
- 9  X2
- 10  X1
- 11  X1
- 12  X1
- 13  X1
- 14  X1
- 30  X1







23



X1

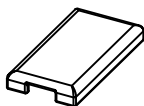
24



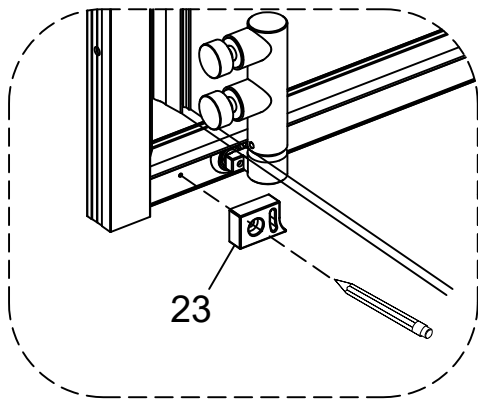
ST3.9X9.5

X1

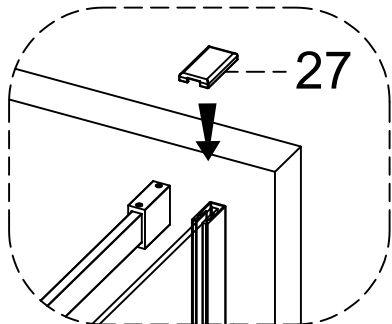
27



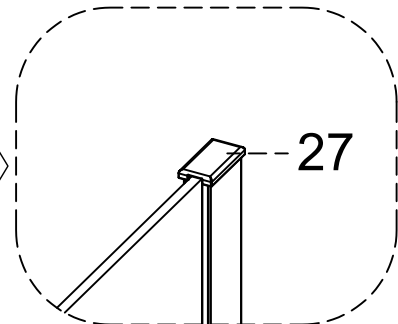
X1



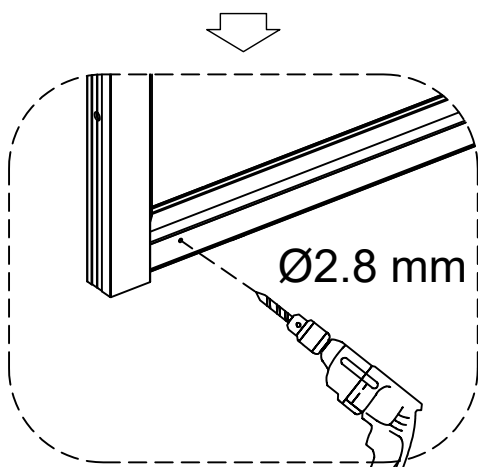
23



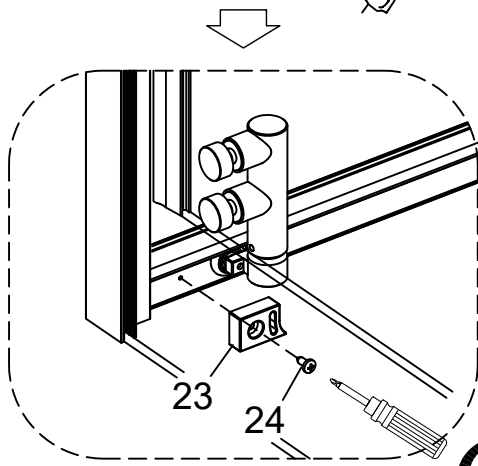
27



27

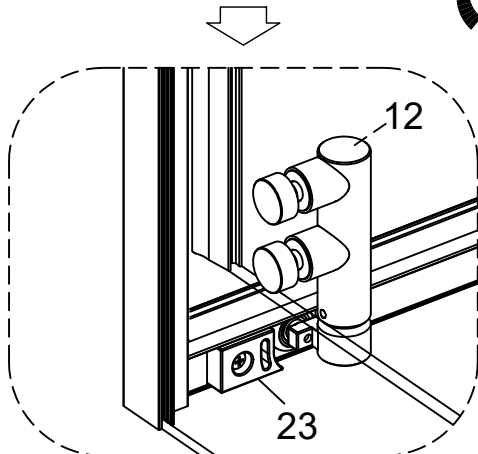


Ø2.8 mm



23

24



12

23

