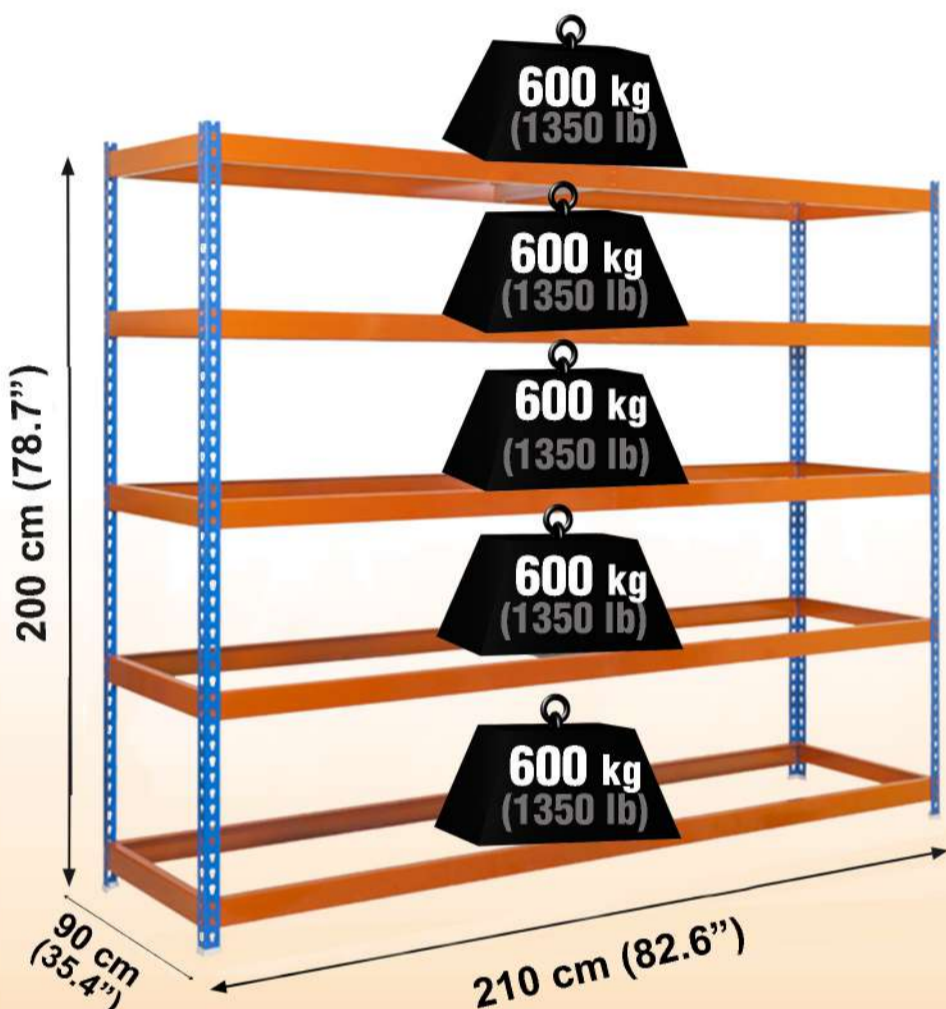


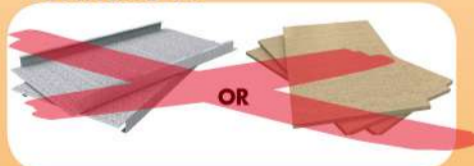


# SIMONFORTE ST 2109-5

**200 x 210 x 90 cm**  
**78.7" x 82.6" x 35.4"**



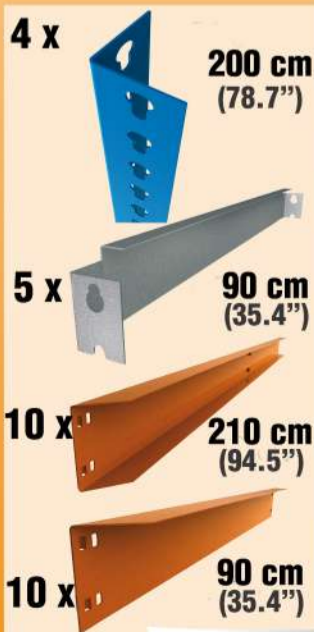
**NOT INCLUDED:**



\*MEDIDAS EN USO / **USO MEASUREMENTS**  
\*MEDIDAS EN EMPLEO / **MESURES EN EMPLOI** \*MEDIDAS EN USO:  
1975 x 2110 x 910 mm (77.7" x 83" x 35.8")



ESTANTERIAS SIMON S.L. B.50.556.463  
PG. ALFAMEN C/ POLIGONO C. N°3  
ALFAMEN (ZARAGOZA)

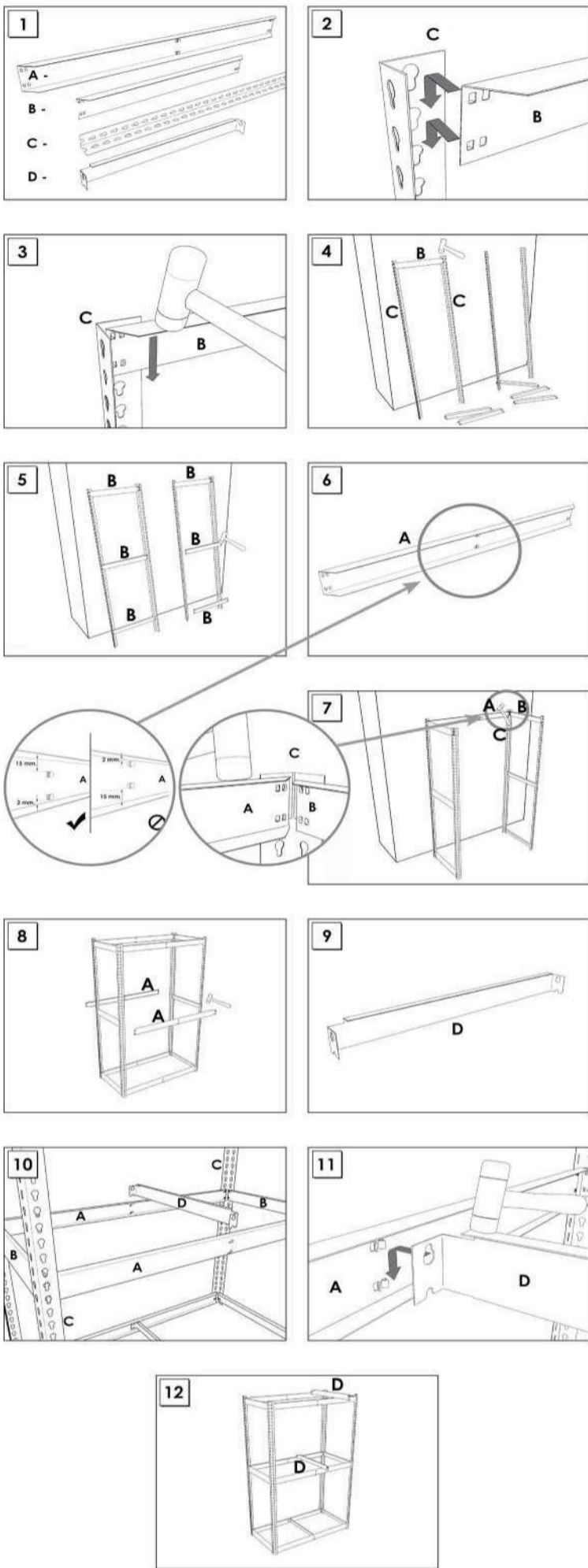


[www.simonrack.com](http://www.simonrack.com)



**INSTRUCTIONS**

## STANDARD MOUNTING



On-line instructions: [www.simonrack.com/instructions](http://www.simonrack.com/instructions) LOGIN: 196003

[www.simonrack.com](http://www.simonrack.com) • [www.simonrack.com](http://www.simonrack.com) • [www.simonrack.com](http://www.simonrack.com) • [www.simonrack.com](http://www.simonrack.com)

### SIMONCLASSIC



### SIMONCLICK



### OFFCLICK



### SIMONFORTE



### SIMONCROMO



### SIMONINOX



### SIMONTITÁN



### SIMONPALET



### SIMONLEVER

