

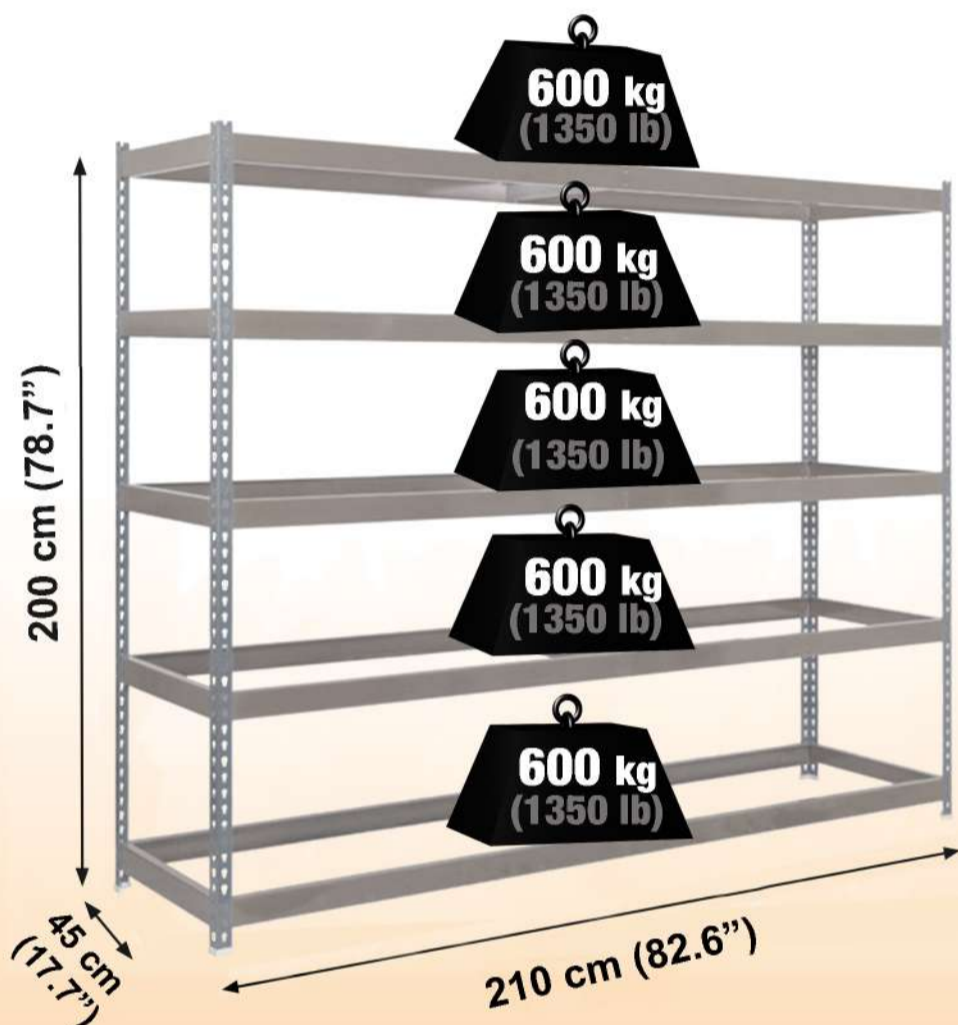
# SIMONFORTE

## ST 2104-5

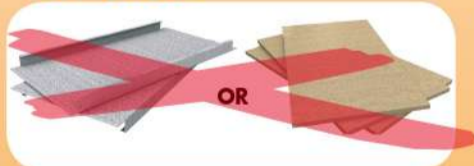


**Simon  
Rack**  
SINCE 1964 - MANUFACTURER

**200 x 210 x 45 cm**  
**78.7" x 82.6" x 17.7"**



**NOT INCLUDED:**



\*MEDIDAS EN USO: 1975 x 2110 x 460 mm (77.7" x 83.07" x 18.1")  
MENSURAS EN EMPLEO: 1975 x 2110 x 460 mm (77.7" x 83.07" x 18.1")



ESTANTERIAS SIMON S.L. B.50.556.463  
PG. ALFAMEN C/ POLIGONO C. Nº3  
ALFAMEN (ZARAGOZA)

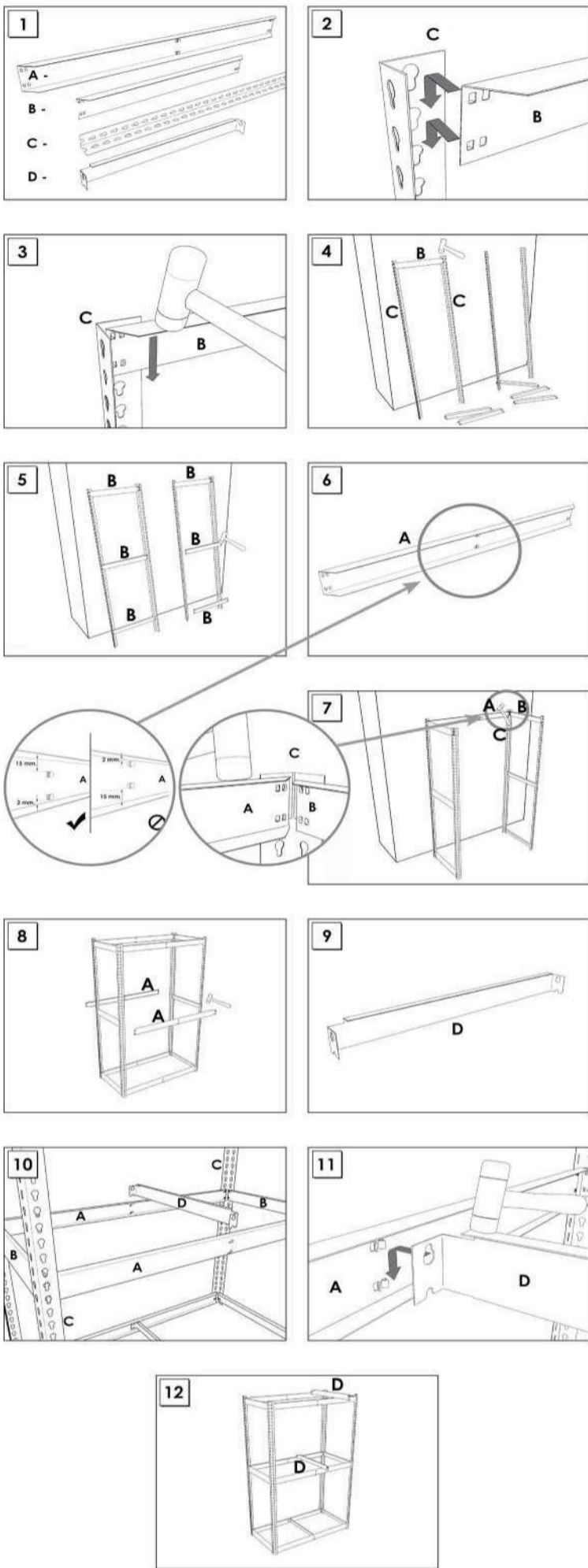


[www.simonrack.com](http://www.simonrack.com)



**INSTRUCTIONS**

## STANDARD MOUNTING



On-line instructions: [www.simonrack.com/instructions](http://www.simonrack.com/instructions) LOGIN: 196003

[www.simonrack.com](http://www.simonrack.com) • [www.simonrack.com](http://www.simonrack.com) • [www.simonrack.com](http://www.simonrack.com) • [www.simonrack.com](http://www.simonrack.com)

### SIMONCLASSIC



### SIMONCLICK



### OFFCLICK



### SIMONFORTE



### SIMONCROMO



### SIMONINOX



### SIMONTITÁN



### SIMONPALET



### SIMONLEVER

