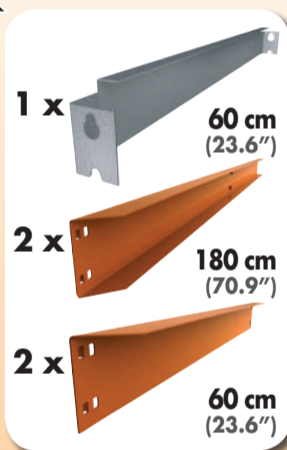
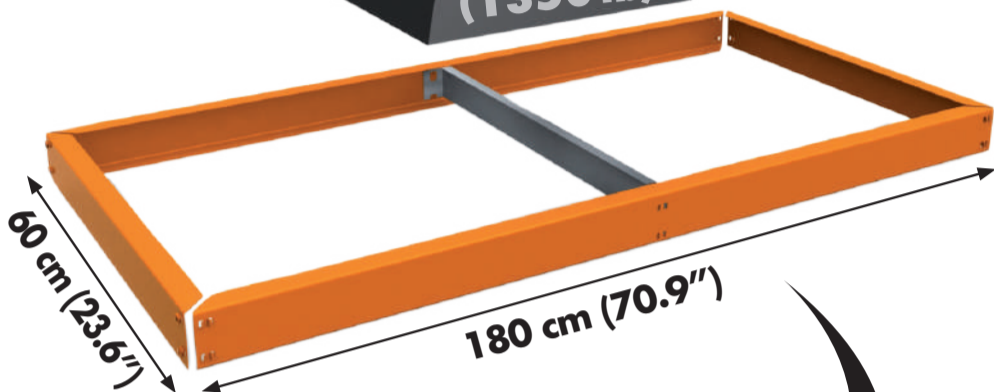
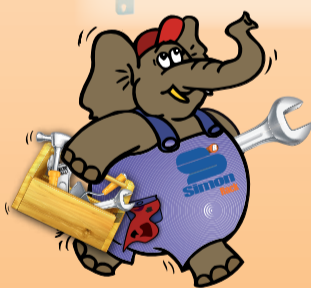
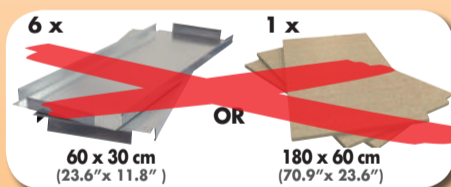


180 x 60 cm*
70.9" x 23.6"

5 years
SIMONRACK
GUARANTEE



NOT INCLUDED:



On-line instructions: www.instructionsrack.com/simontaller

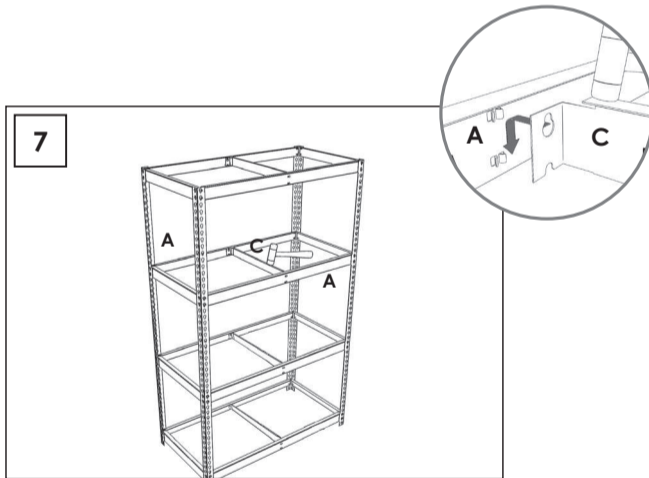
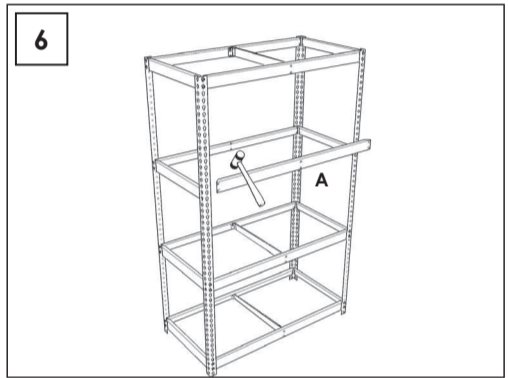
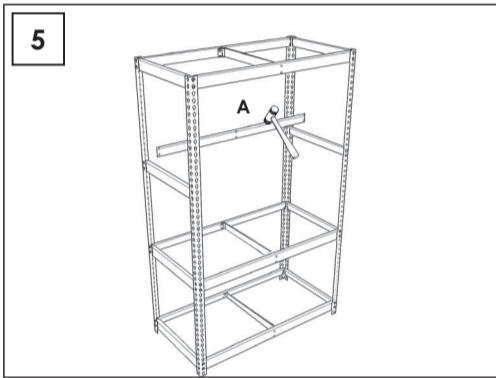
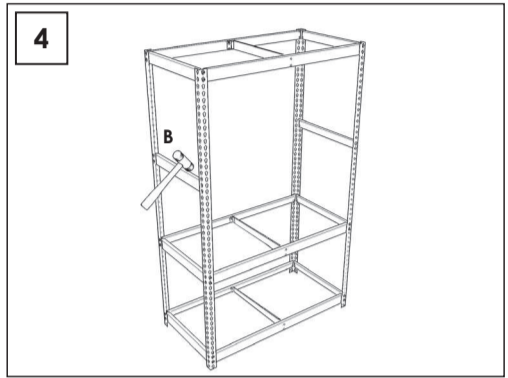
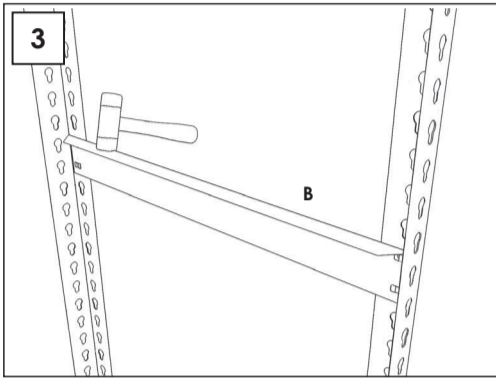
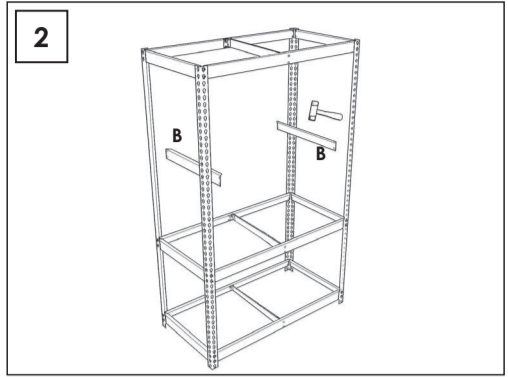
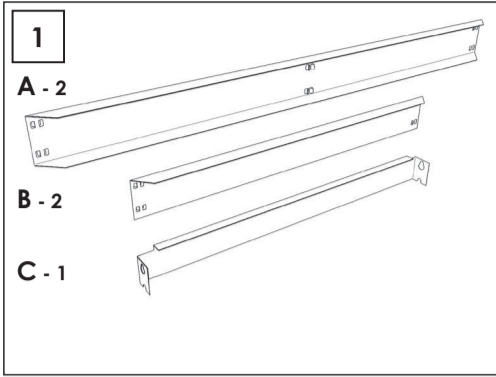


*MEDIDAS EN USO: 1810 x 610 mm
USED MEASUREMENTS: 71.26" x 24.02"



ESTANTERIAS SIMON S.L. B.50.556.463
PG. ALFAMEN C/ POLIGONO C. N°3
ALFAMEN (ZARAGOZA)

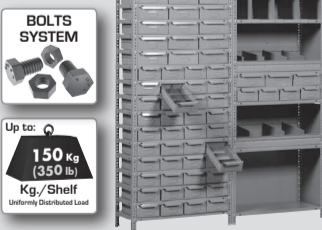




On-line instructions: www.instructionsrack.com/simontaller

www.simonrack.com • www.simonrack.com • www.simonrack.com • www.simonrack.com

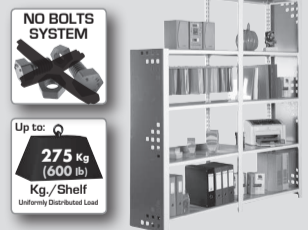
SIMONCLASSIC



SIMONCLICK



OFFIClick



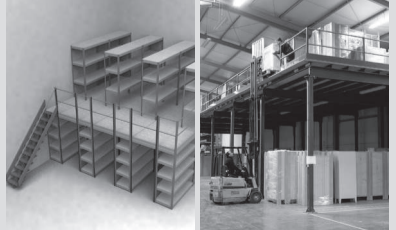
SIMONTALLER



BANCOS DE TRABAJO / WORK BENCHES



ALTILLOS Y PASILLOS ELEVADOS / PLATFORMS AND MEZZANINES



SIMONHOME



TAQUILLAS LOCKER



SIMONINOX



SIMONTITÁN



SIMONPALET



SIMONLEVER

