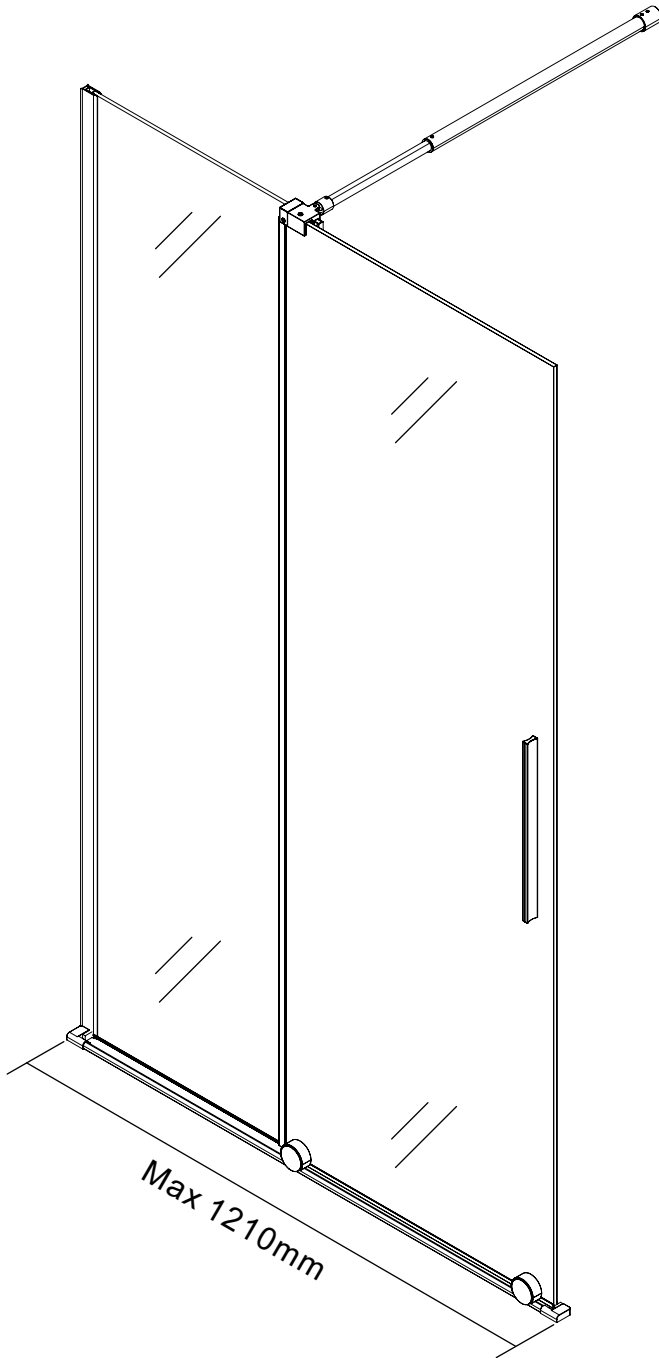




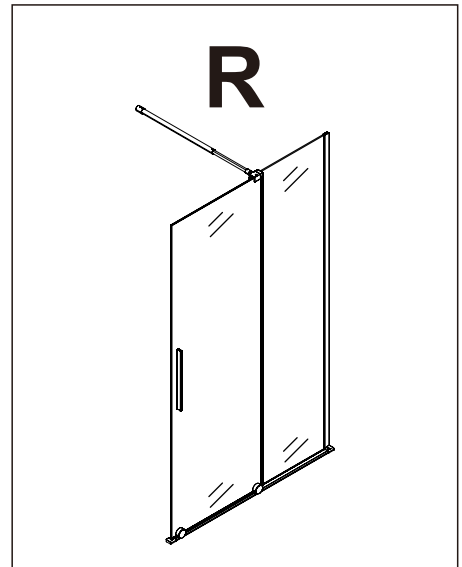
Camargue®

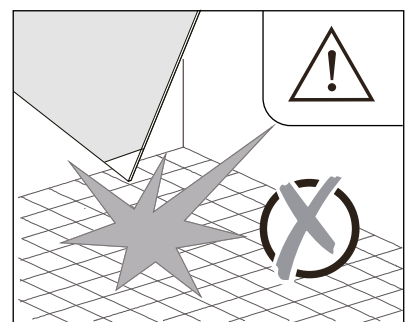
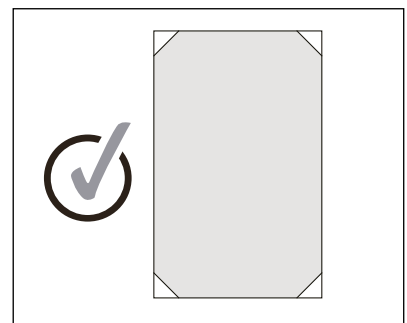
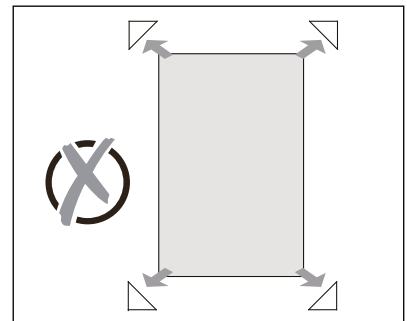
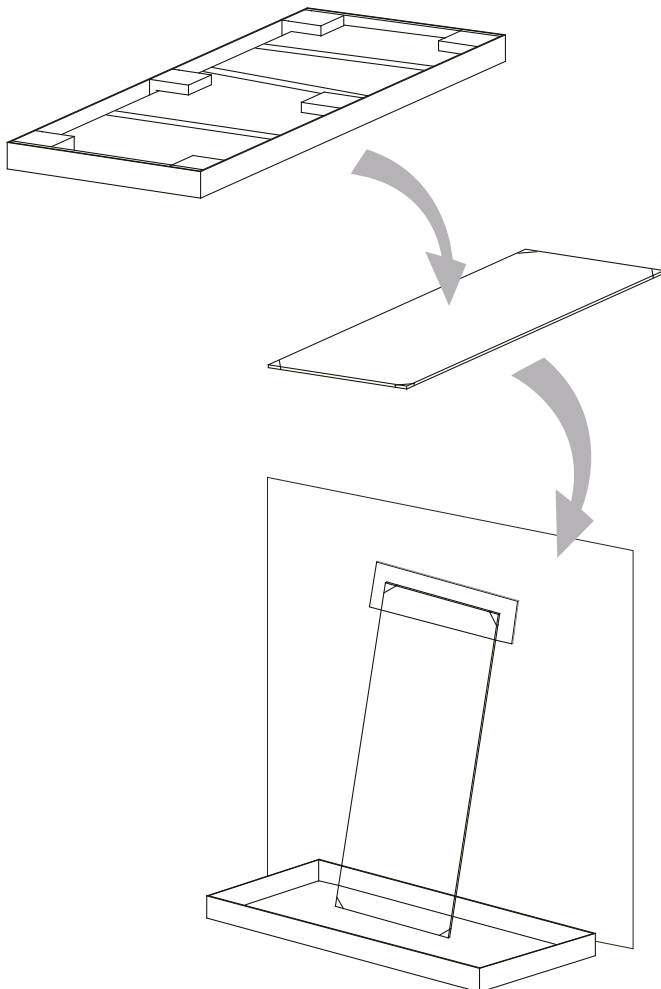
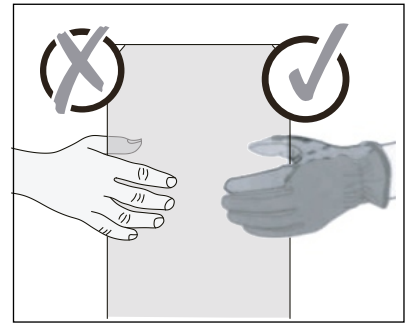
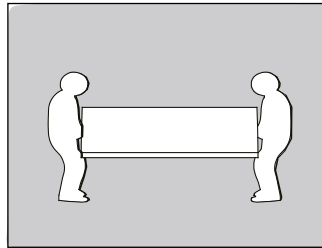
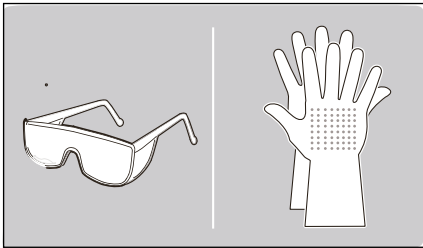
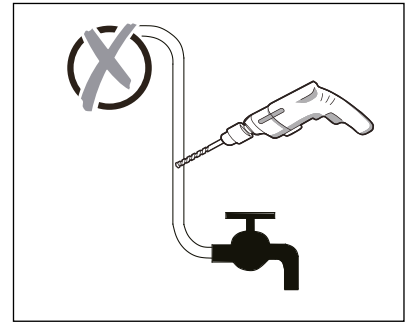
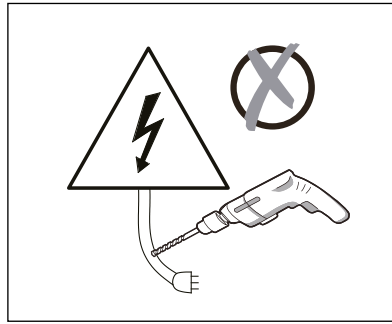
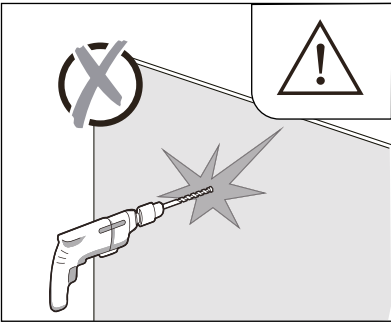
Milano

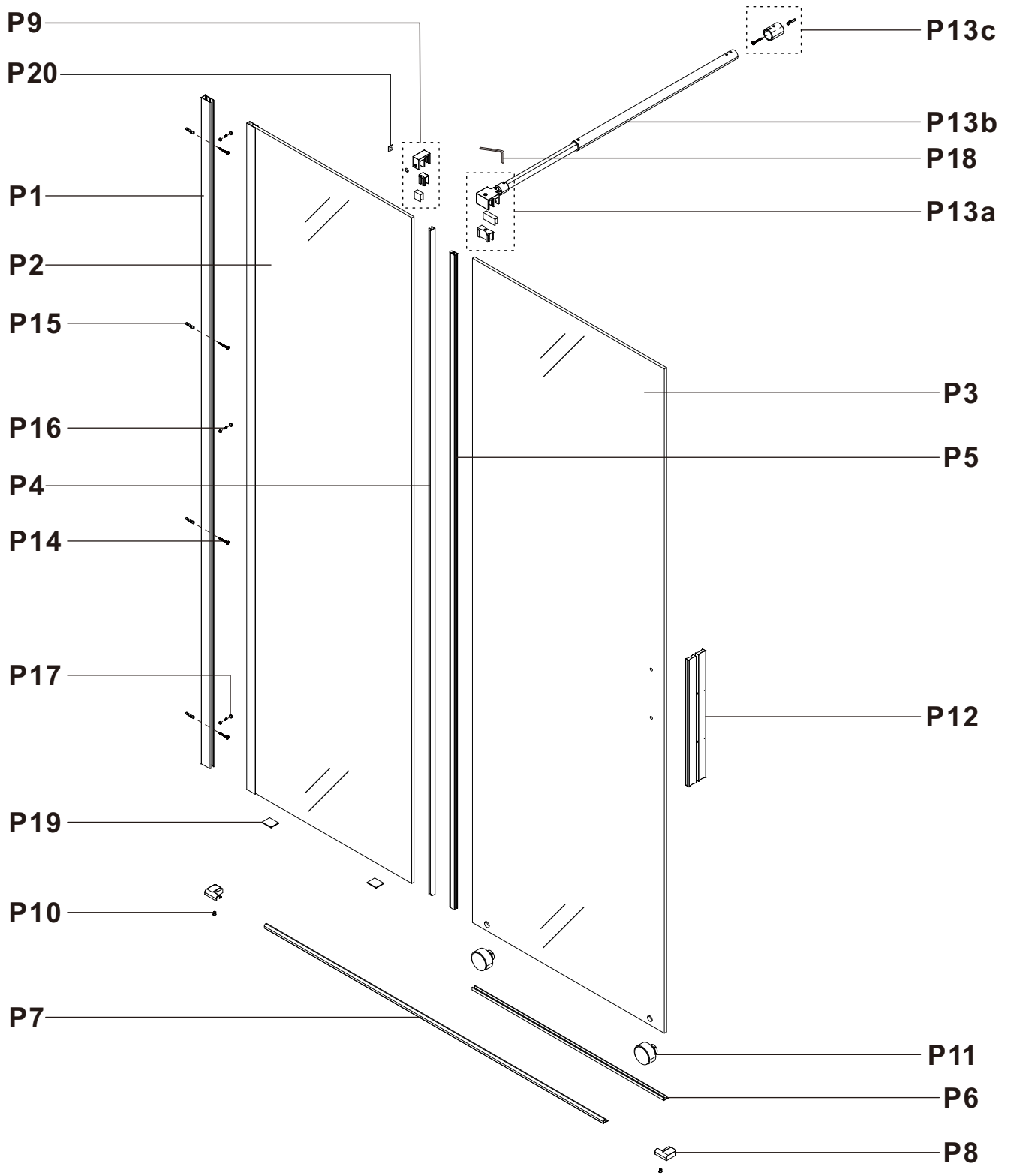
L



R





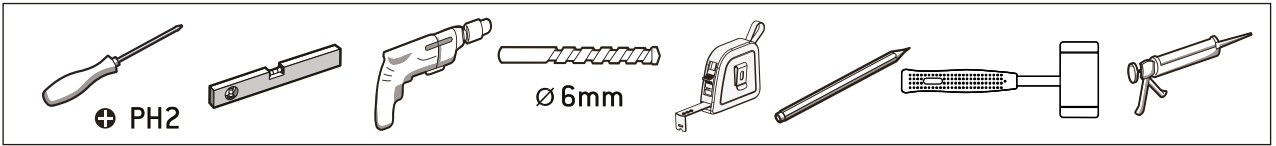


P1 X1	P2 X1	P3 X1	P4 X1
P5 X1	P6 X1	P7 X1	P8 X1
P9 X1	P10 ST4x8MM X2	P11 X2	P12 X1
P13 X1		P14 ST4x30MM X5	P15 X5
P16 ST4x10MM X3	P17 X3	P18 X1	P19 X2
P20 X1			

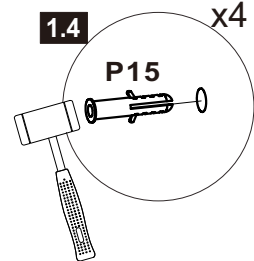
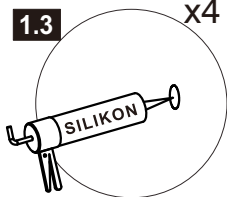
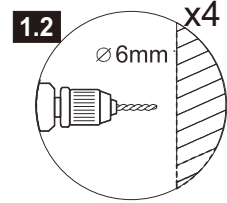
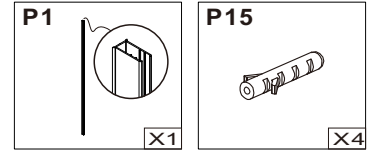
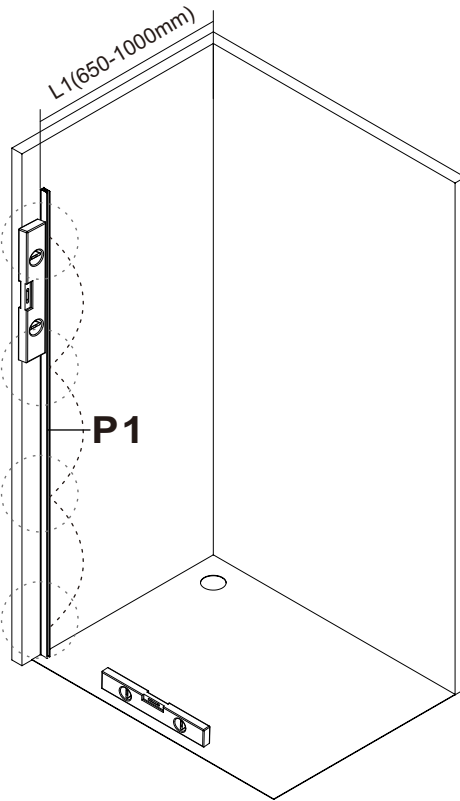
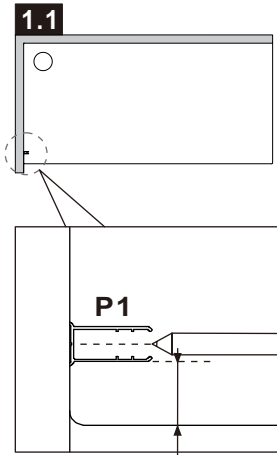
Ersatzteile / Spare Parts

Pos.	Art.-Nr.	Art.-Nr.	Bezeichnung/ Description
	Silberglanz/Chrome	Schwarz/Black	
1	ZB RDY07-01-21	ZBRDY07-01-10	Wandprofil/ wall profile
2	ZB RDY07-02	ZBRDY07-02	Seitenteil Glas/ side panel glass
3	ZB RDY07-03	ZB RDY07-03	Türglas/ door glass
4	ZB RDY07-04	ZB RDY07-04-10	Dichtprofil/ sealing profile
5	ZB RDY07-05	ZB RDY07-05-10	Ballondichtung/ balloon seal
6	ZB RDY07-06	ZB RDY07-06-10	Wasserabweisprofil/ water repellent profile
7	ZB RDY07-07-21	ZB RDY07-07-10	Führungsprofil/ guide profile
8	ZB RDY07-08-21	ZB RDY07-08-10	Anschlag/ mounting (Set L+R)
9	ZB RDY07-09-21	ZB RDY07-09-10	Führungshalter/ guide holder
11	ZB RDY07-11-21	ZB RDY07-11-10	Laufrolle/ roller
12	ZB RDY07-12-21	ZB RDY07-12-10	Griff/ handle
13	ZB RDY07-13-21	ZB RDY07-13-10	Stabi Strebe / stabi bar
10/14/15/ 19/20	ZB RDY07-MB	ZB RDY07-MB	Montagebeutel/ assembly bag
16/17	ZB RDY07-MB-21	ZB RDY07-MB-10	Montagebeutel/ assembly bag

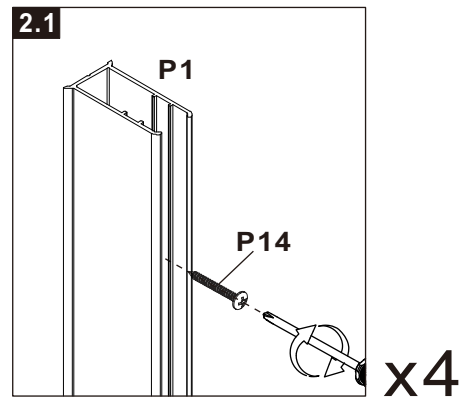
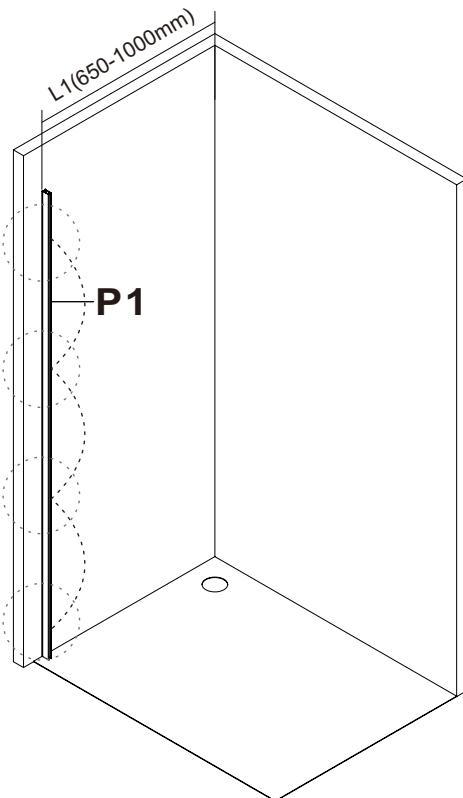
6

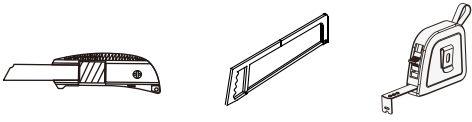


1

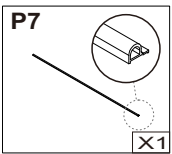
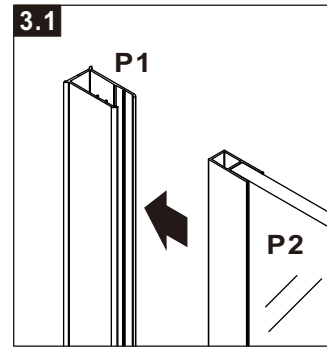
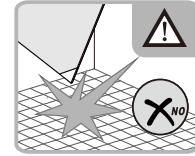
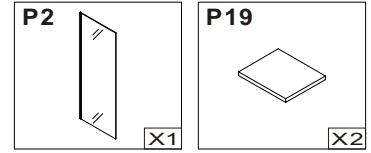
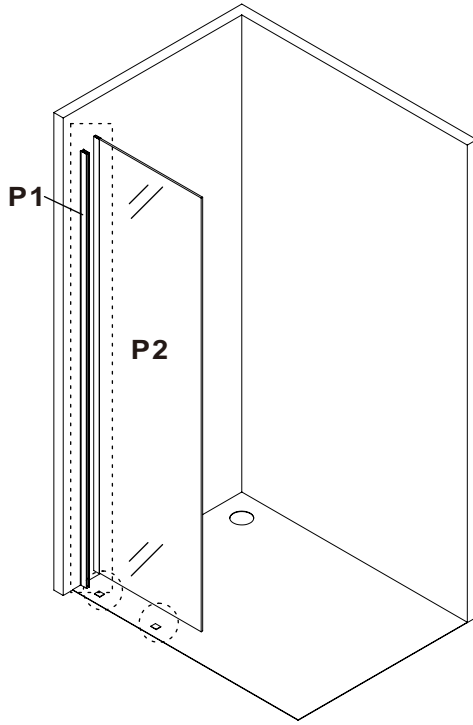
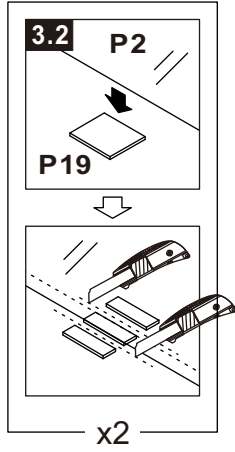


2

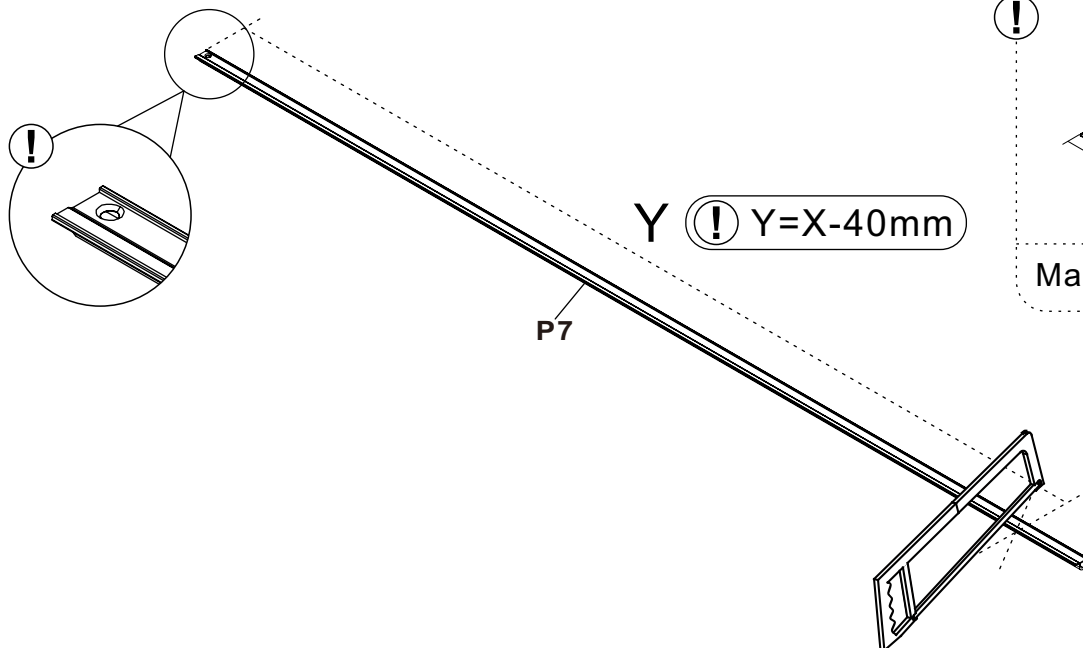




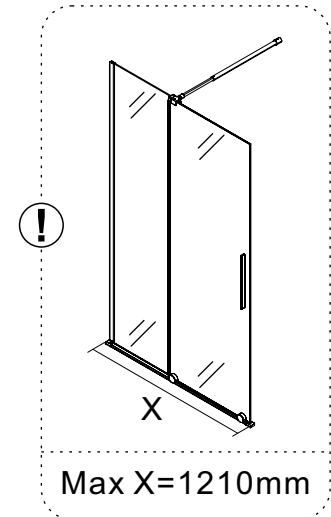
3



4

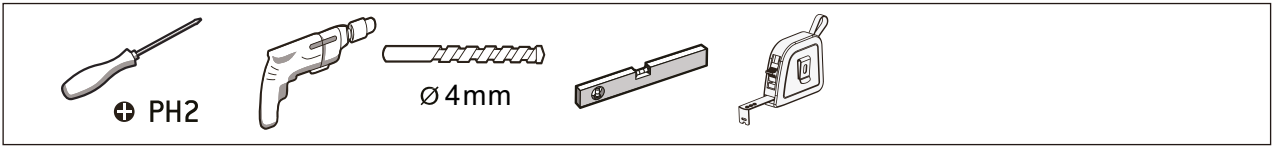


Y (!) $Y = X - 40\text{mm}$

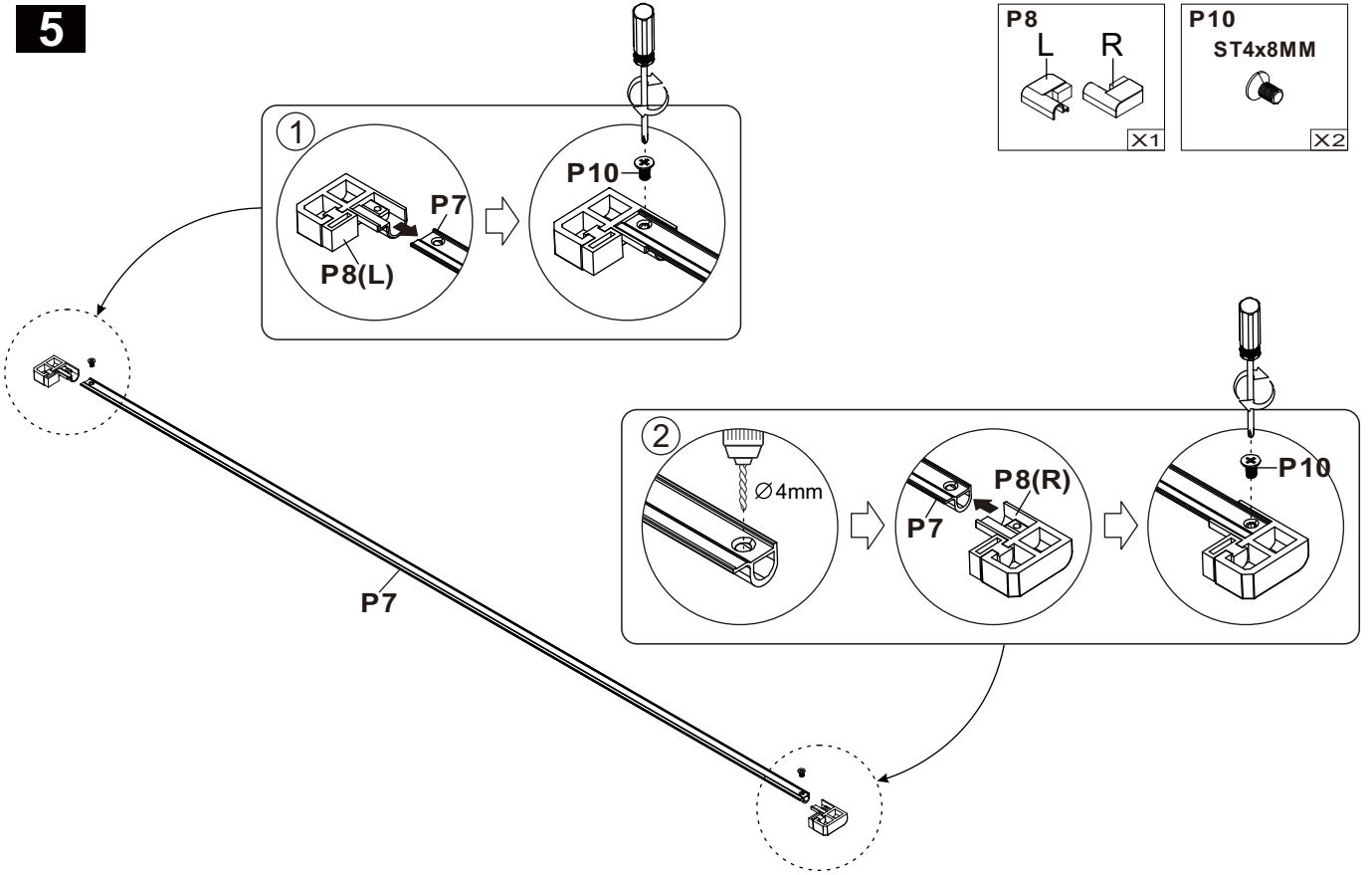


Max X = 1210mm

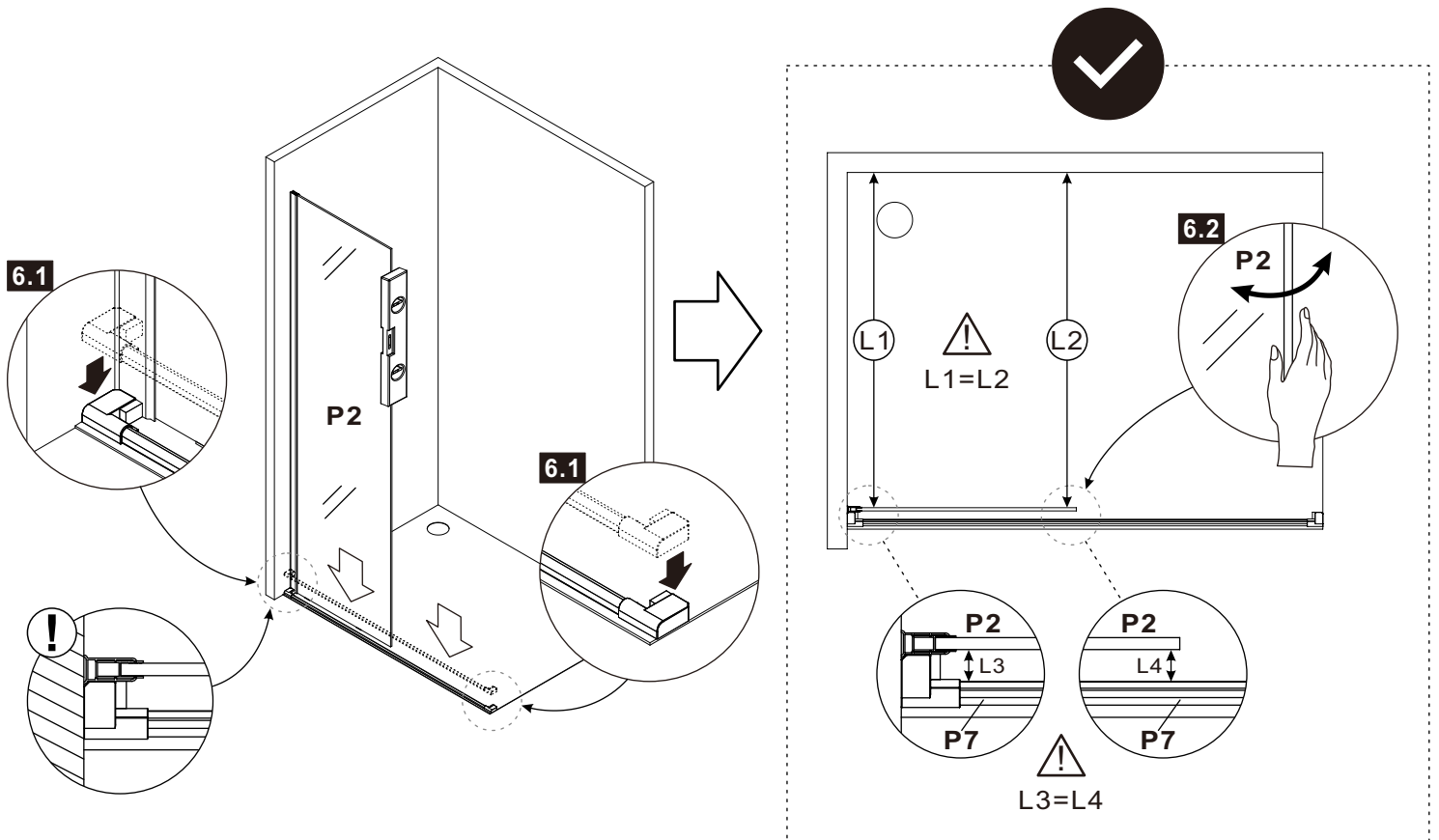
8

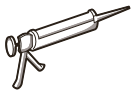


5

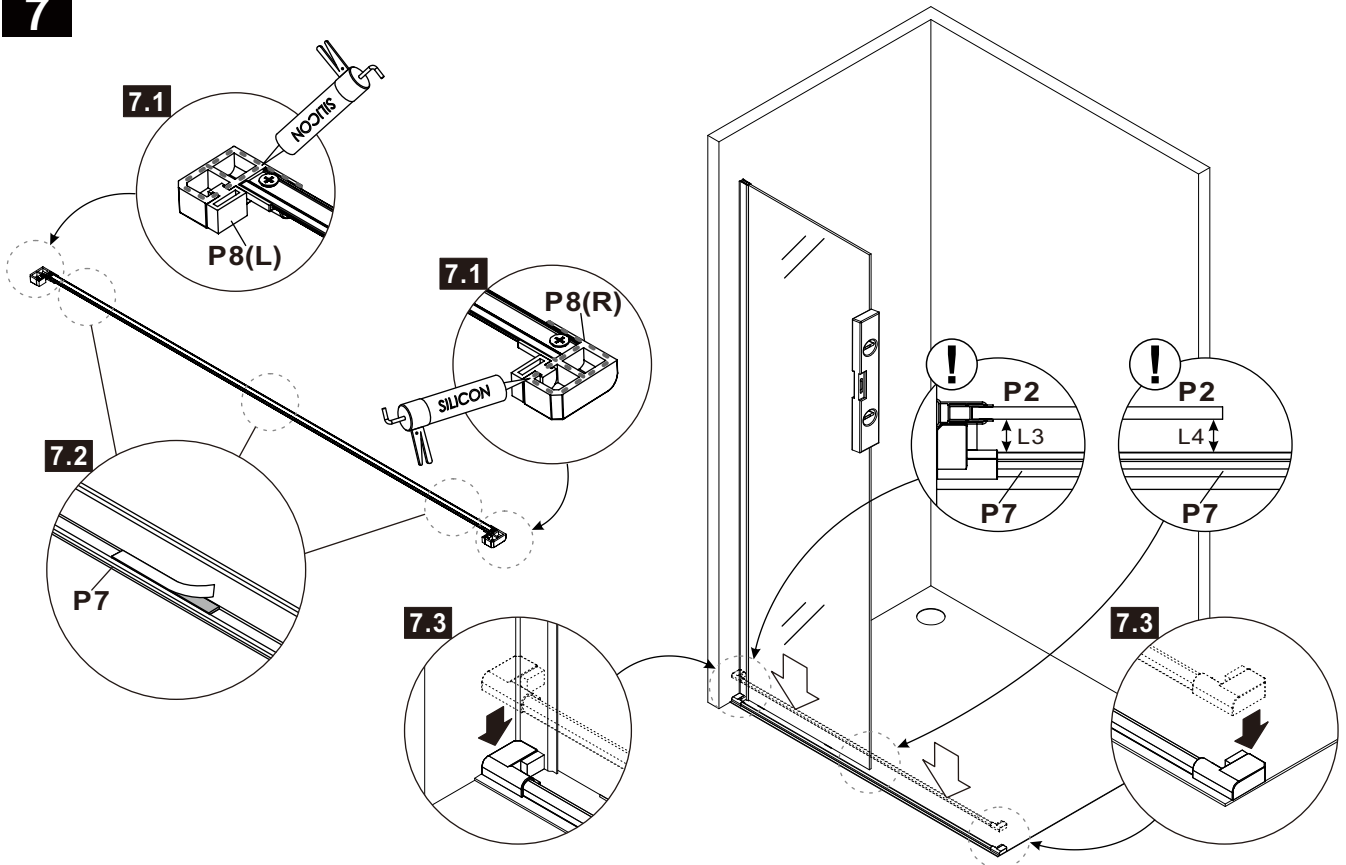


6



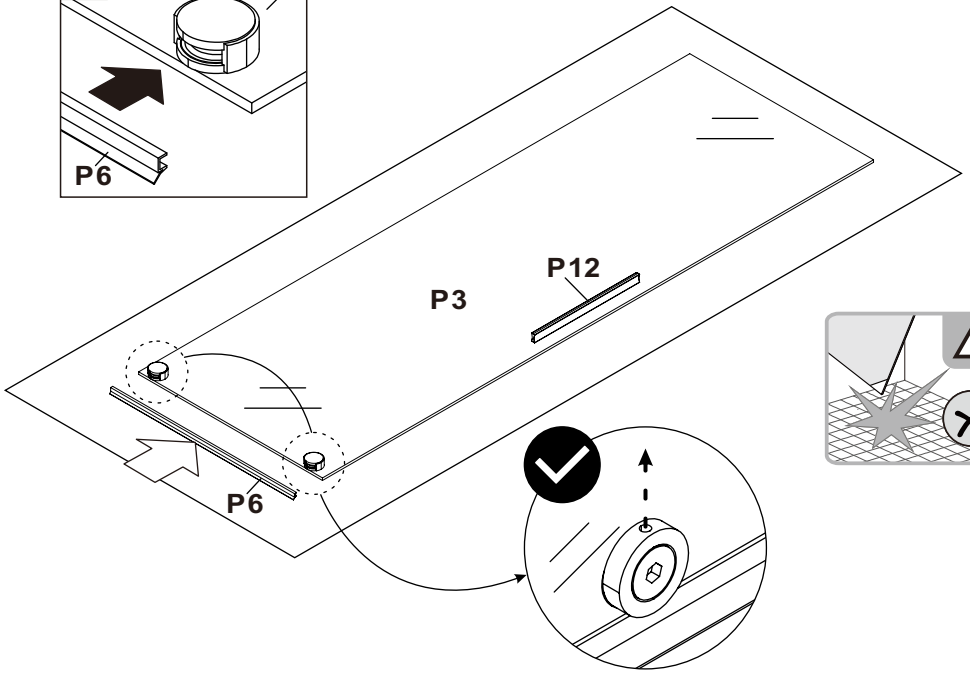
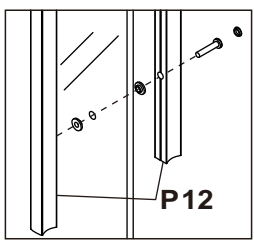
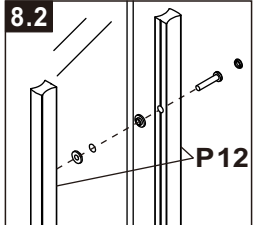
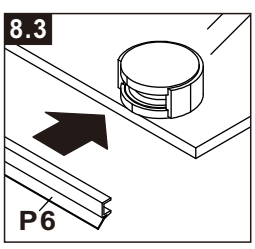
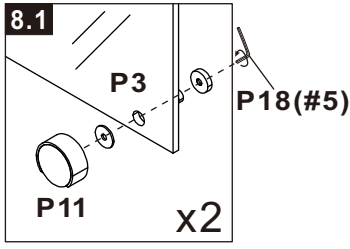


7



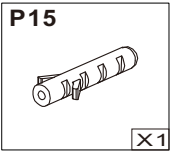
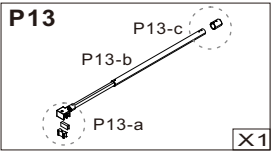
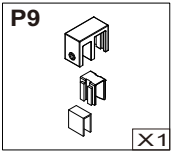
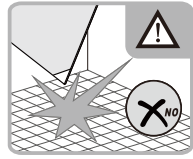
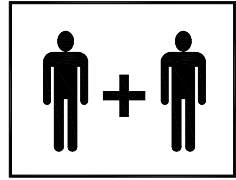
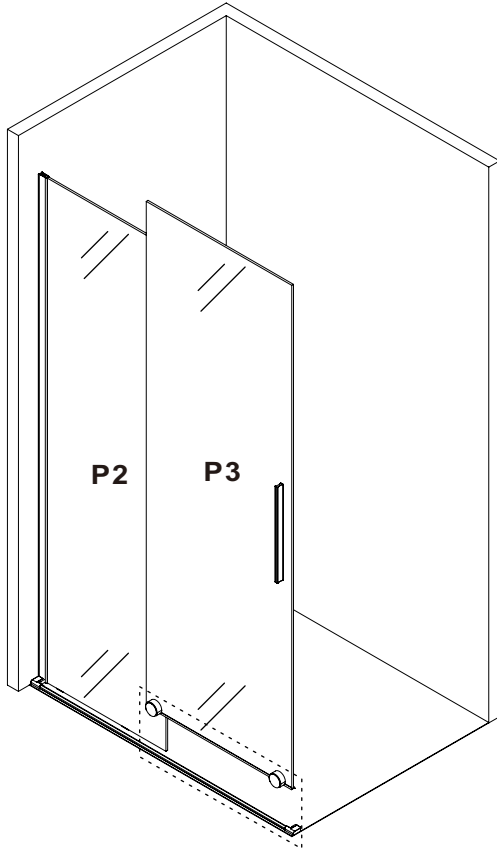
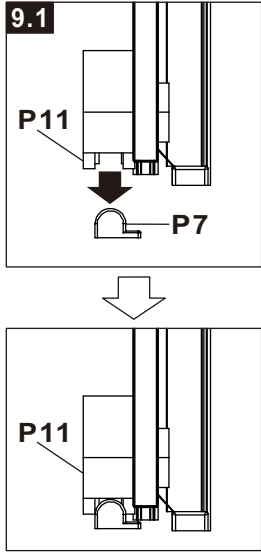
- P3 X1
- P6 X1
- P11 X2
- P12 X1
- P18 #5 X1

8

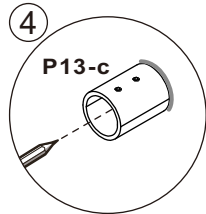
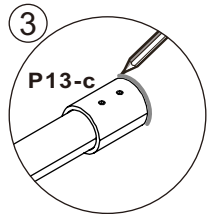
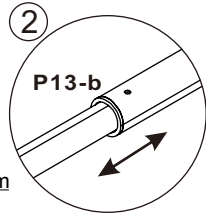
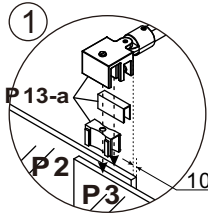
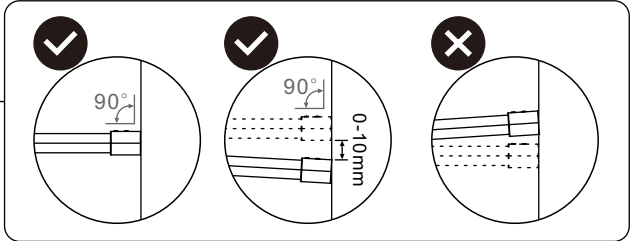
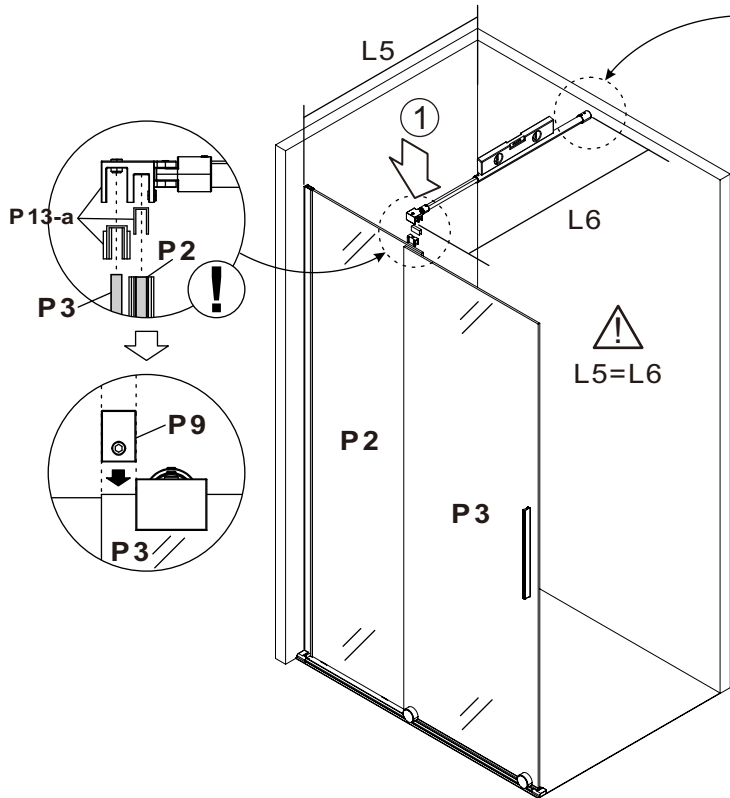


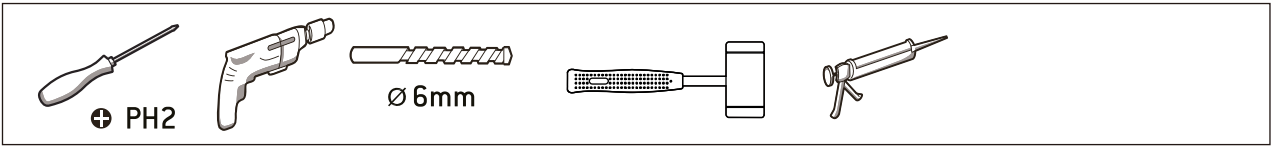


9

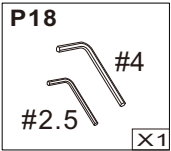
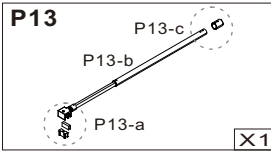
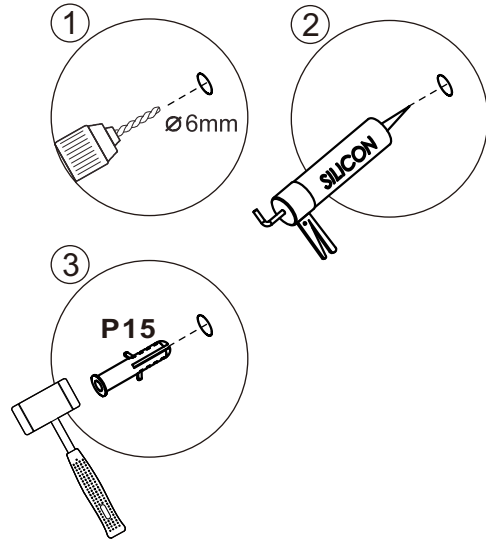
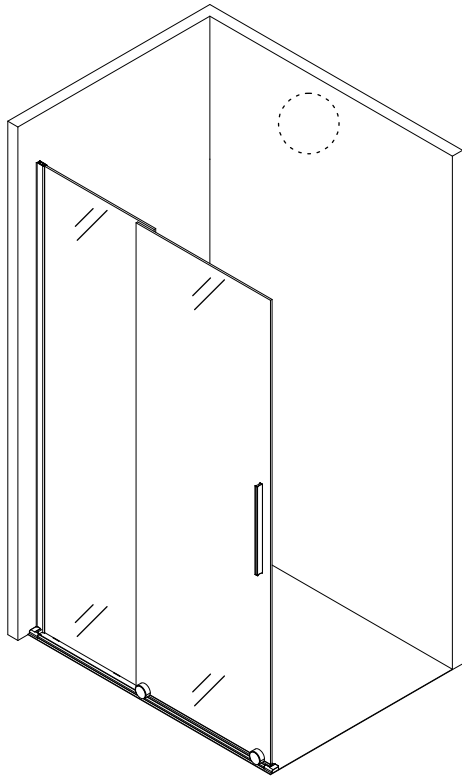
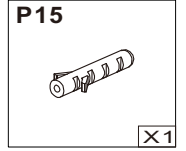


10

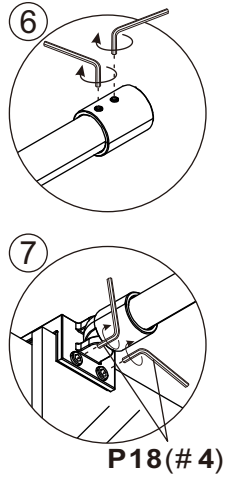
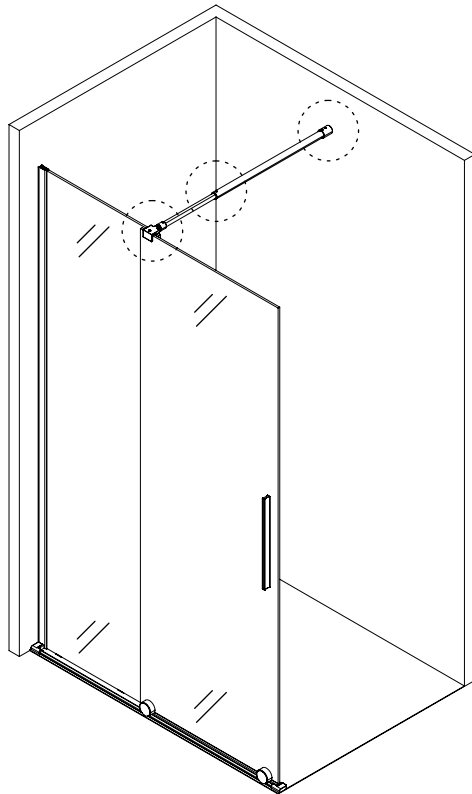
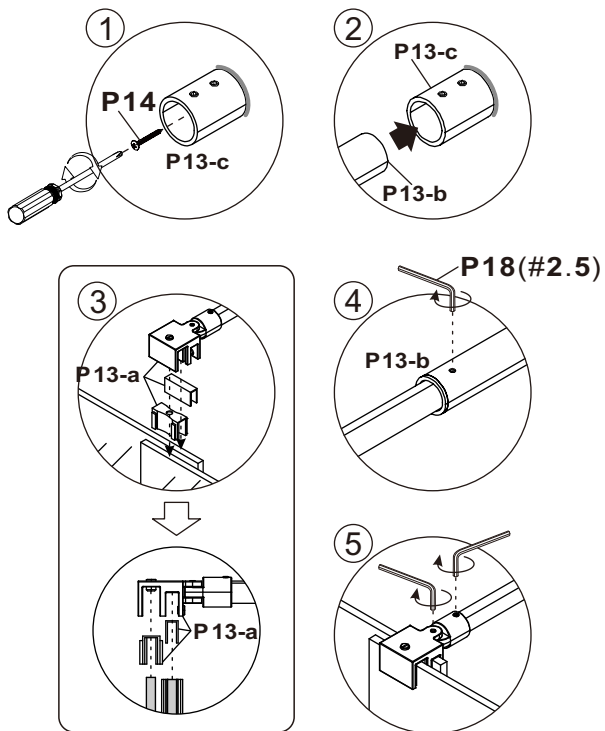




11

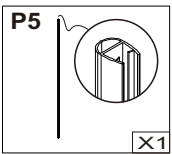
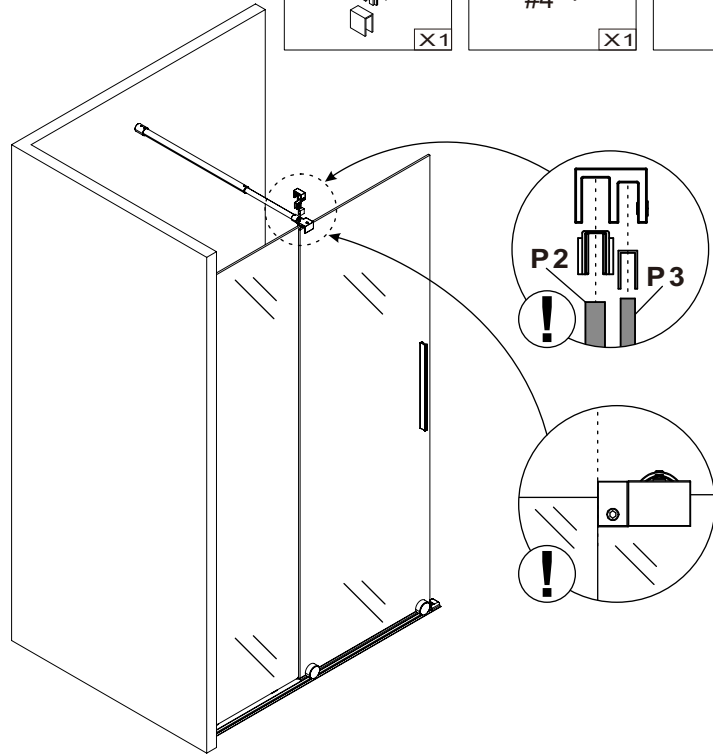
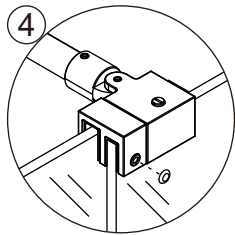
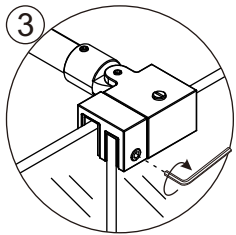
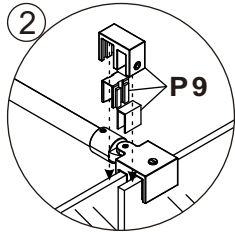
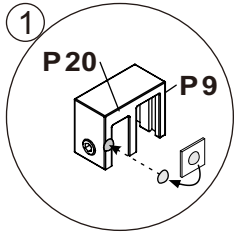
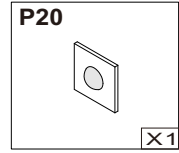
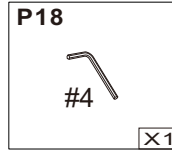
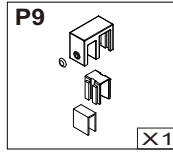


12

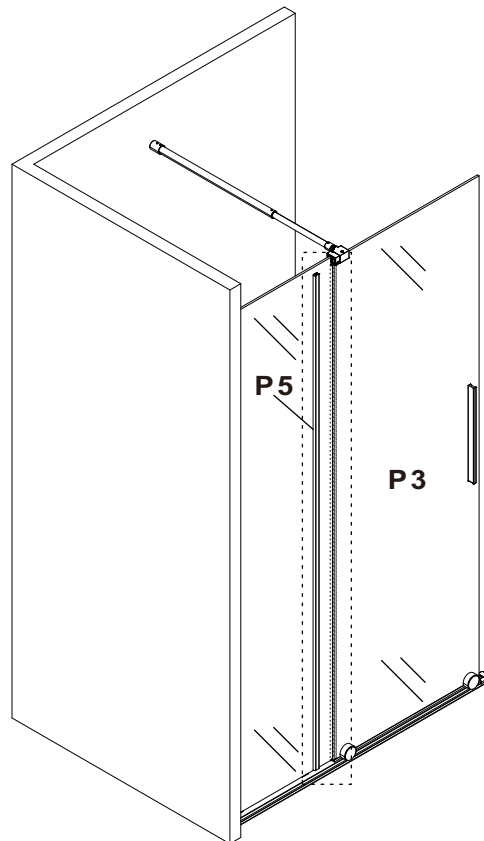
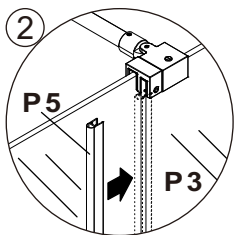
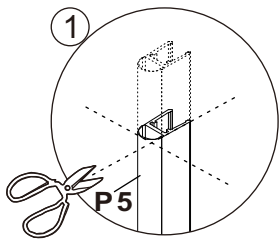


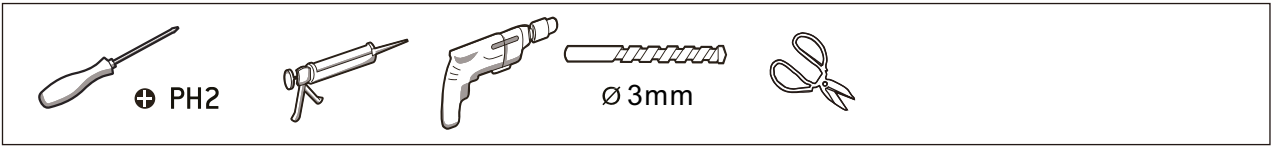


13

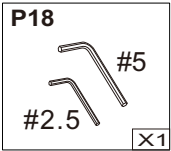
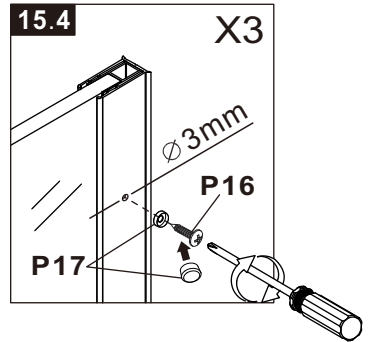
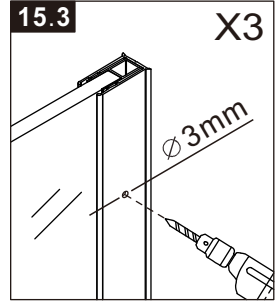
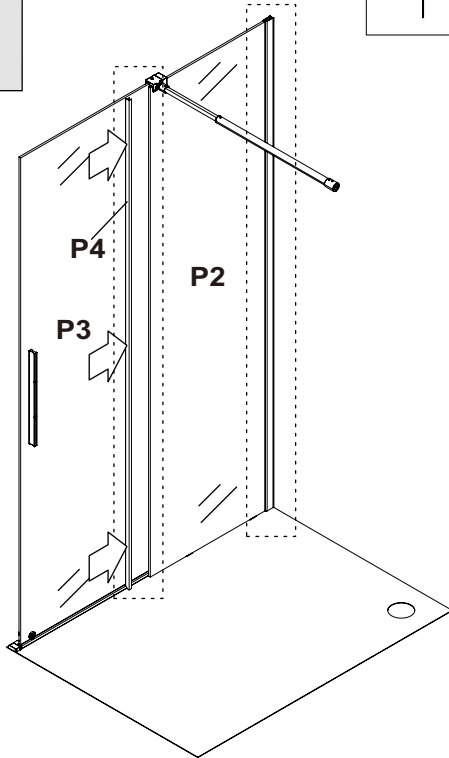
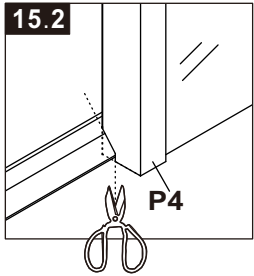
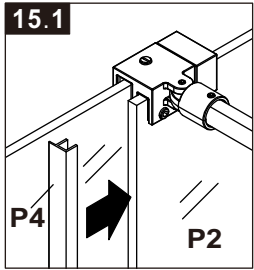
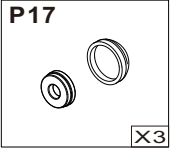
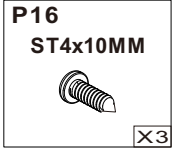
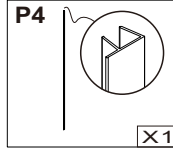
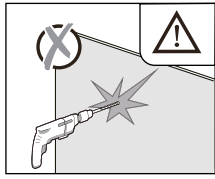


14

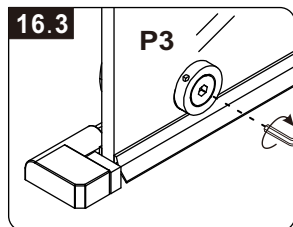
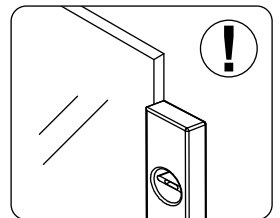
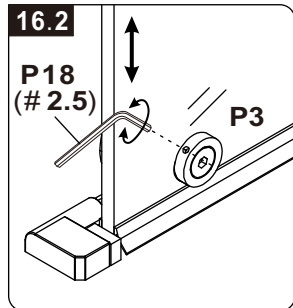
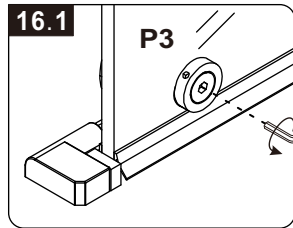
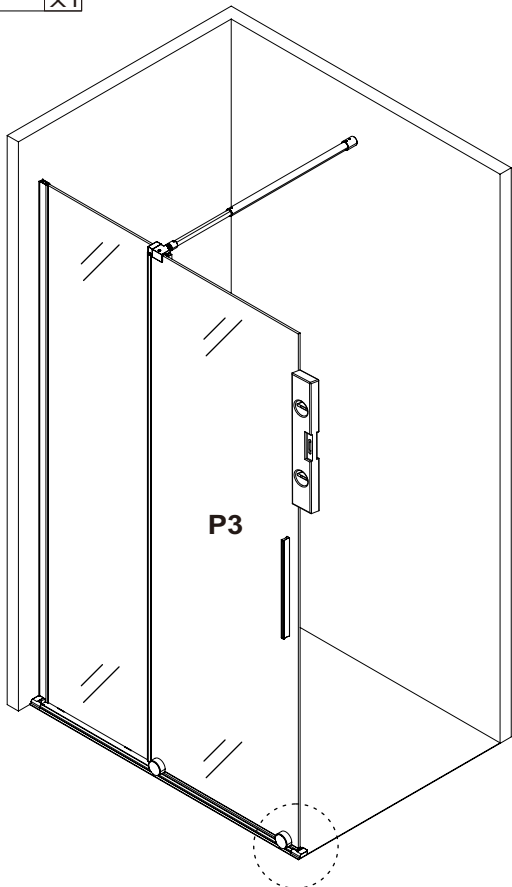




15



16





17

