

SIMONWORK

BT3 1200 Cabinet

144.5 x 121 x 61 cm

59.2" x 47.6" x 24"



- 1 x 120 x 60 cm (47.2" x 23.6")
- 2 x 84 cm (33.1")
- 2 x 144 cm (56.7")
- 3 x 120 cm (47.2")
- 4 x 60 cm (23.6")
- 4 x [Hardware]
- 1 x 31 x 53 x 100 cm (12.2" x 20.9" x 39.4")
- 4 x [Hardware]
- 4 x [Hardware]
- 13 x [Hardware]
- 1 x MDF 120 x 60 cm (47.2" x 23.6")
- 1 x MDF 120 x 35 cm (47.2" x 13.8")
- 1 x 120 cm (47.2")
- 1 x 60 cm (23.6")
- 2 x 9,5x19 cm (3.7"x7.5")
- 1 x 120x20 cm (47.2"x7.9")



ESTANTERIAS SIMON S.L. B.50.556.463
PG. ALFAMEN C/ POLIGONO C. Nº3
ALFAMEN (ZARAGOZA)



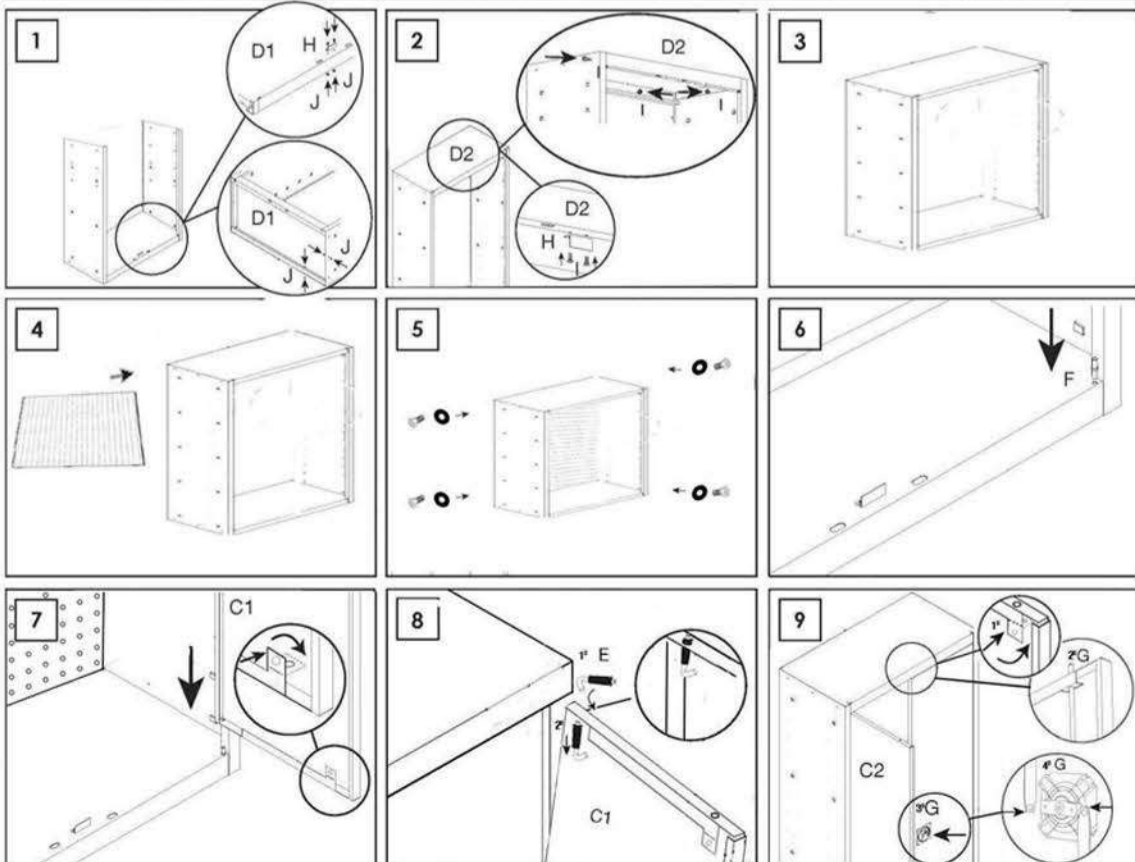
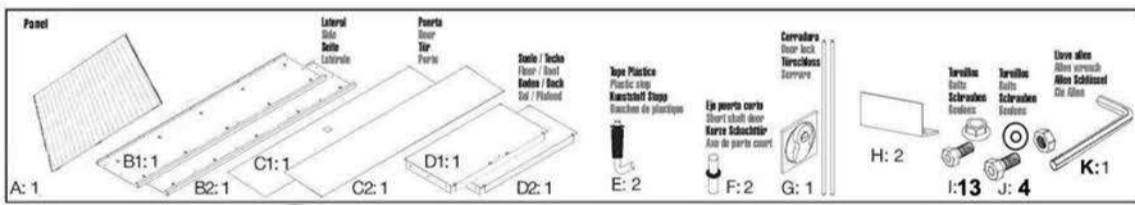
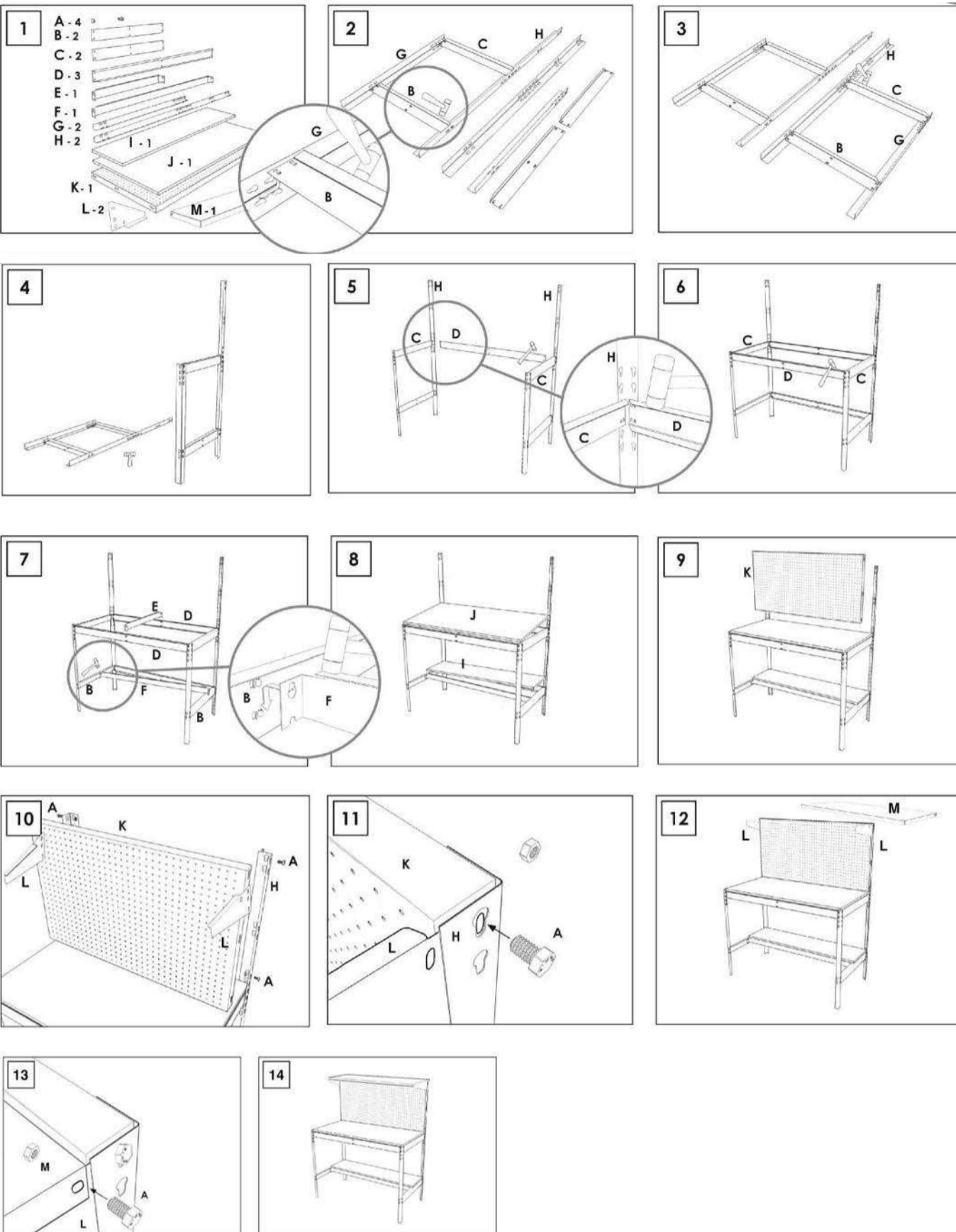
Simon Rack
SINCE 1964 - MANUFACTURER



www.simonrack.com



INSTRUCCIONES
INSTRUCTIONS
ANLEITUNG
INSTRUCTIONS



SIMONCLASSIC



150 kg
350 lb

SIMONCLICK



400 kg
900 lb

SIMONTALLER




700 kg
1550 lb

SIMONAUTO



300 kg
660 lb

SIMONWORK



800 kg
1800 lb

SIMONLOCKER



SIMONOFFICE



275 kg
600 lb

SIMONHOME



150 kg
330 lb

SIMONGARDEN



600 kg
1350 lb

SIMONTITAN **SIMONINOX**



900 kg
1990 lb

SIMONINDUSTRIAL

SIMONPALET **SIMONLEVER**



4500 kg
9950 lb

ALTILLOS Y PASILLOS ELEVADOS
PLATFORMS AND MEZANINES
LAGERBÜHNEN • PLATES-FORMES ET MEZZANINES

* Kg / lb por bandeja con carga uniformemente repartida
Kg / lb per shelf uniformly distributed load
Kg / lb pro fach bei gleichmäßig verteilter last
Kg / lb par plateau avec charge uniformément répartie

www.simonrack.com • www.instructionsrack.com/bt3