

# SIMONWORK

# BT2 900

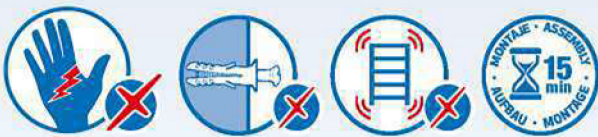
## CABINET

### 144.5 x 91 x 61 cm

### 56.9" x 35.8" x 24"



- 1 x 90x60 cm (35.4" x 23.6")
- 2 x 84 cm (33.1")
- 2 x 144 cm (56.7")
- 4 x 60 cm (23.6")
- 3 x 90 cm (35.4")
- 1 x 60x90 cm MDF (23.6" x 35.4")
- 1 x 90 cm (35.4")
- 4 x
- 1 x 31x53x90 cm (12.2" x 20.9" x 35.4")
- 2 x 2 x 2 x 1 x 12 x 6 x



ESTANTERIAS SIMON S.L. B.50.556.463  
PG. ALFAMEN C/ POLIGONO C. Nº3  
ALFAMEN (ZARAGOZA)



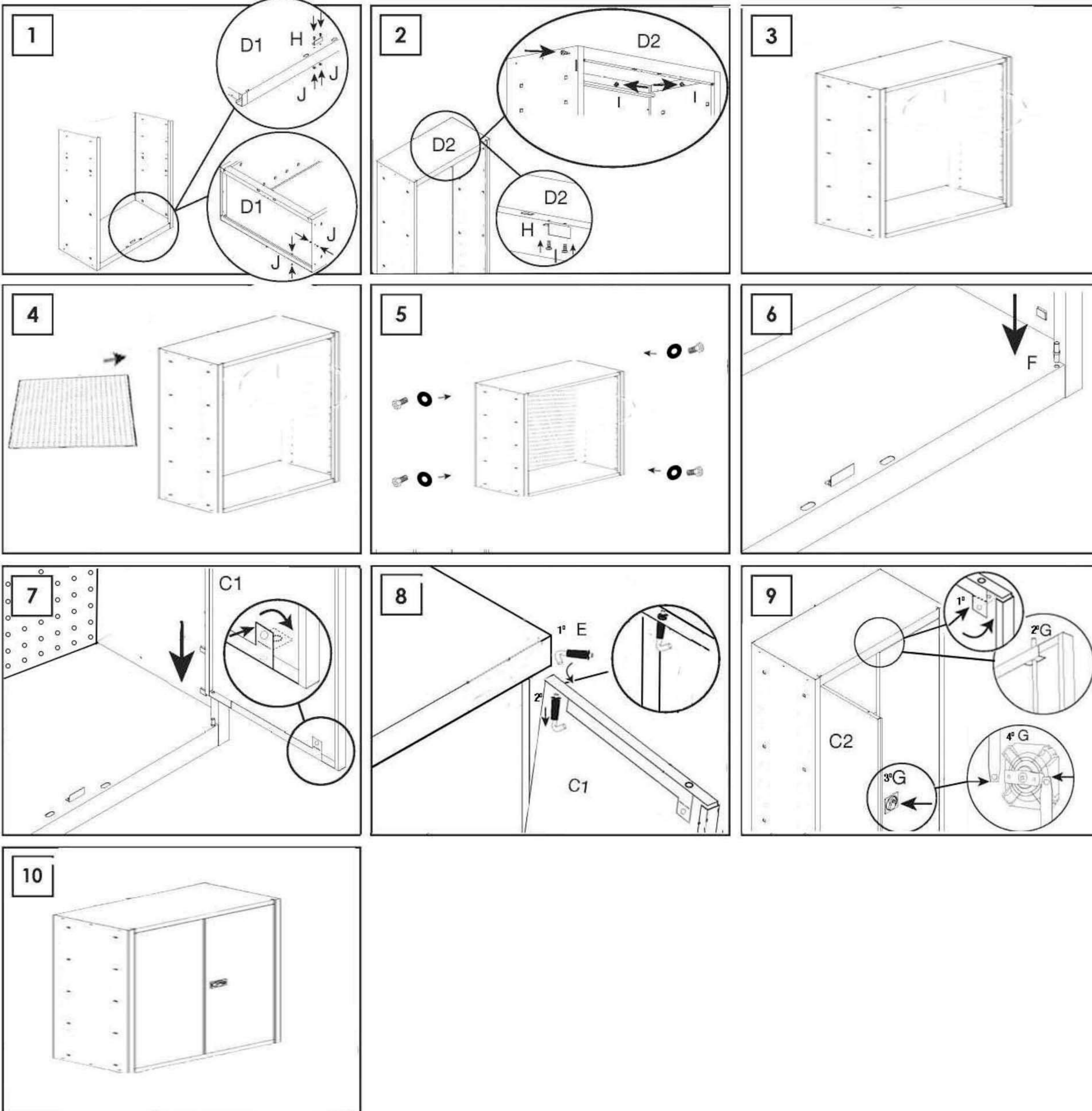
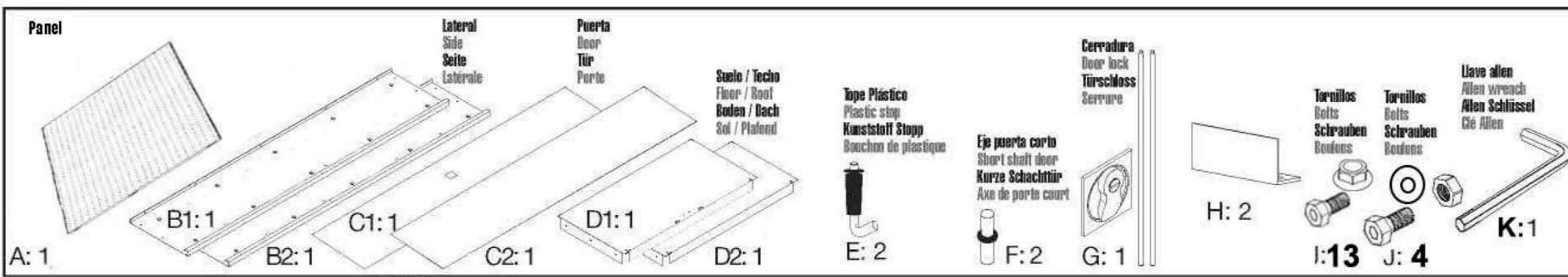
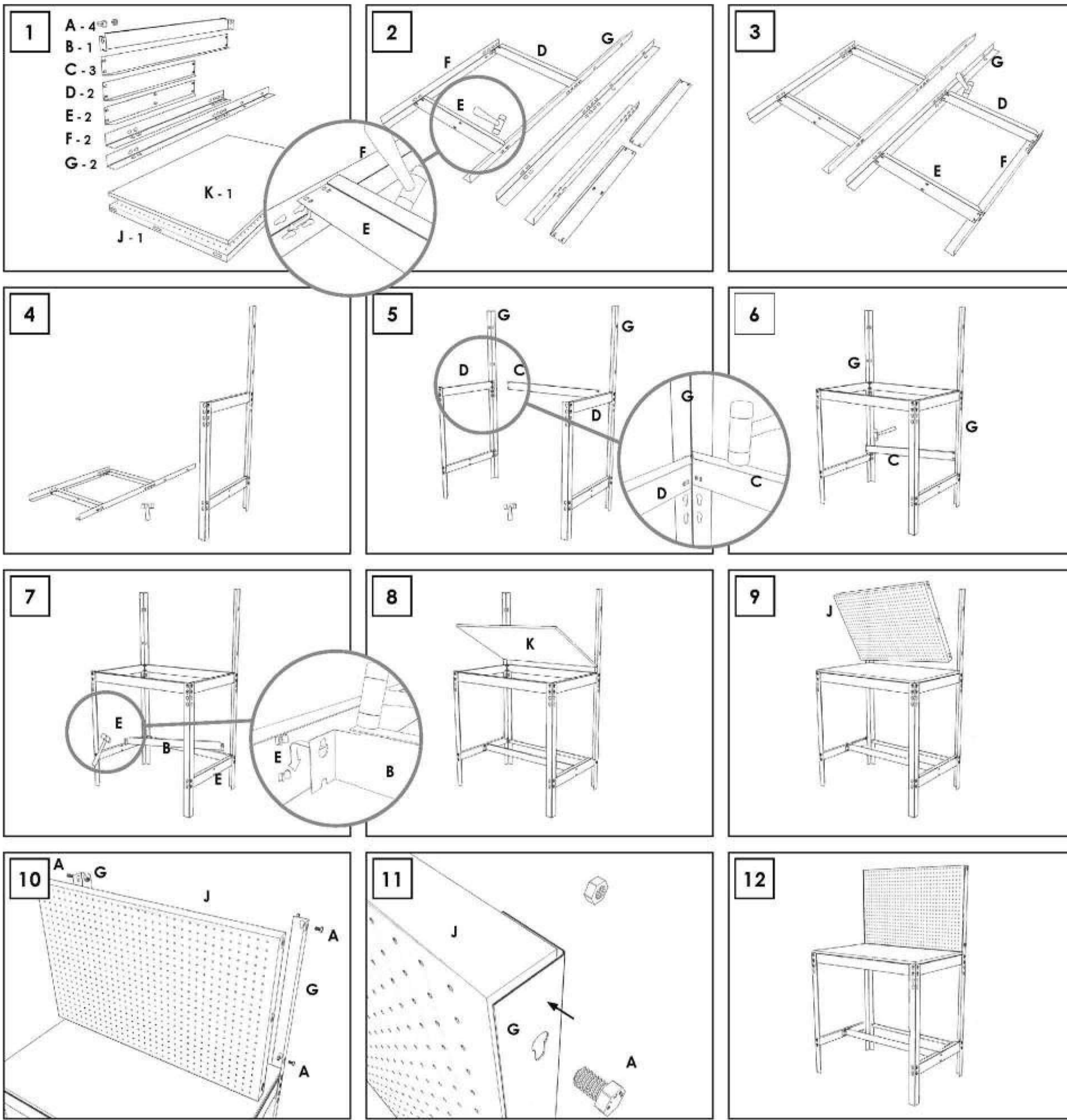
**Simon Rack**  
SINCE 1964 - MANUFACTURER



[www.simonrack.com](http://www.simonrack.com)



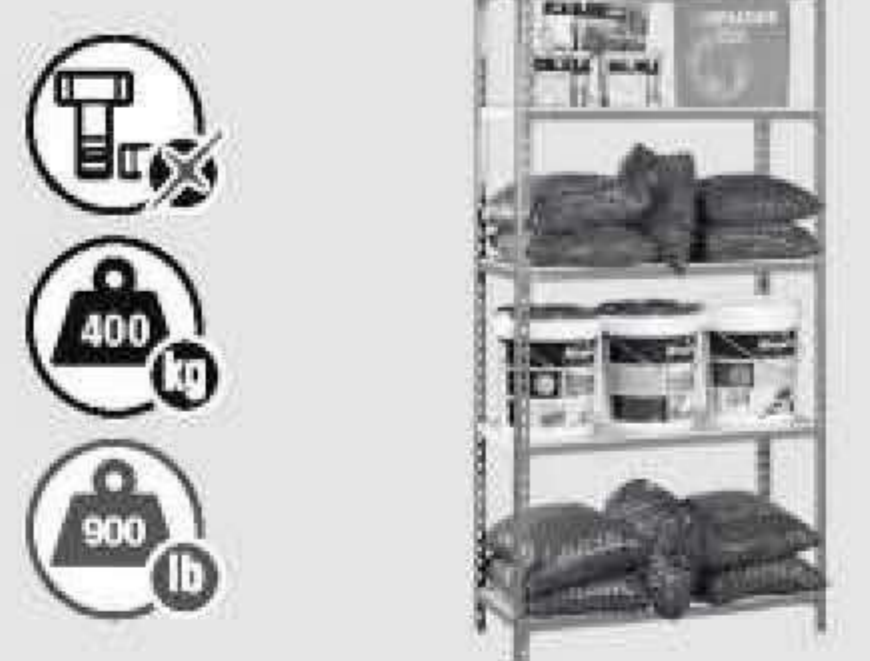
INSTRUCCIONES  
INSTRUCTIONS  
ANLEITUNG  
INSTRUCTIONS



**SIMONCLASSIC**



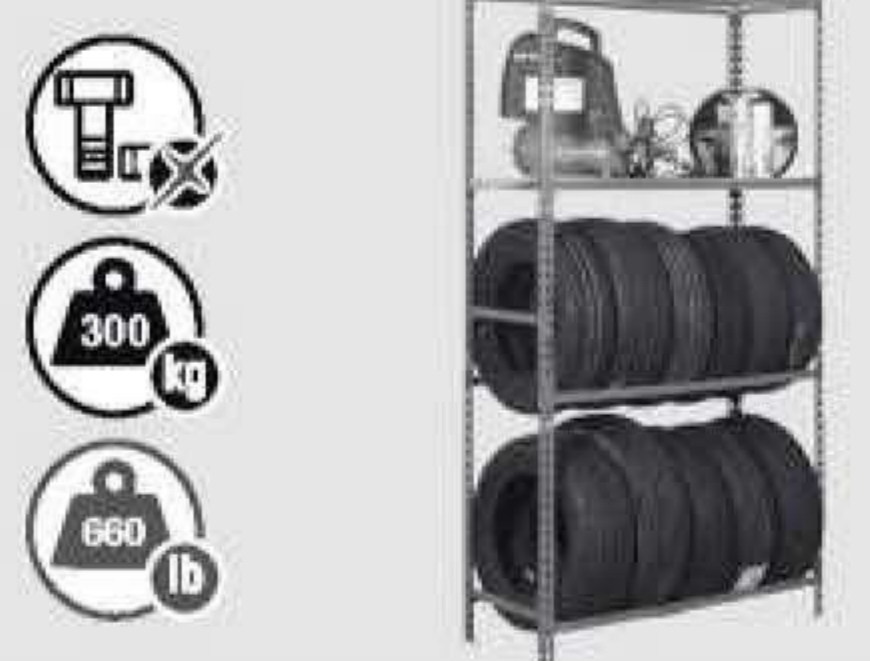
**SIMONCLICK**



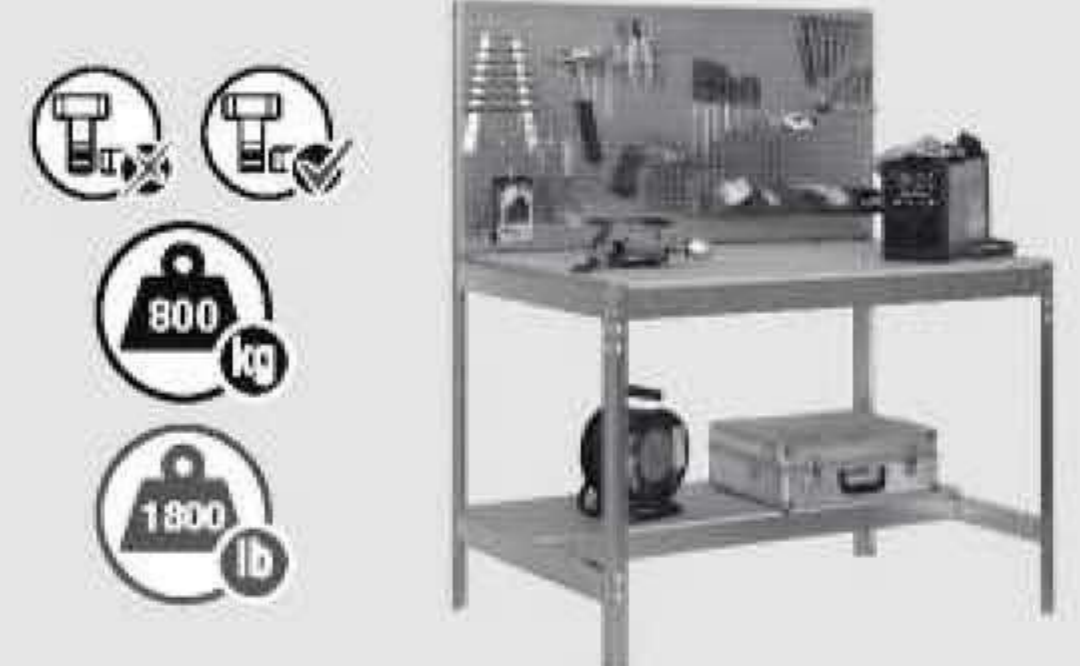
**SIMONTALLER**



**SIMONAUTO**



**SIMONWORK**



**SIMONLOCKER**



**SIMONOFFICE**



**SIMONHOME**



**SIMONGARDEN**



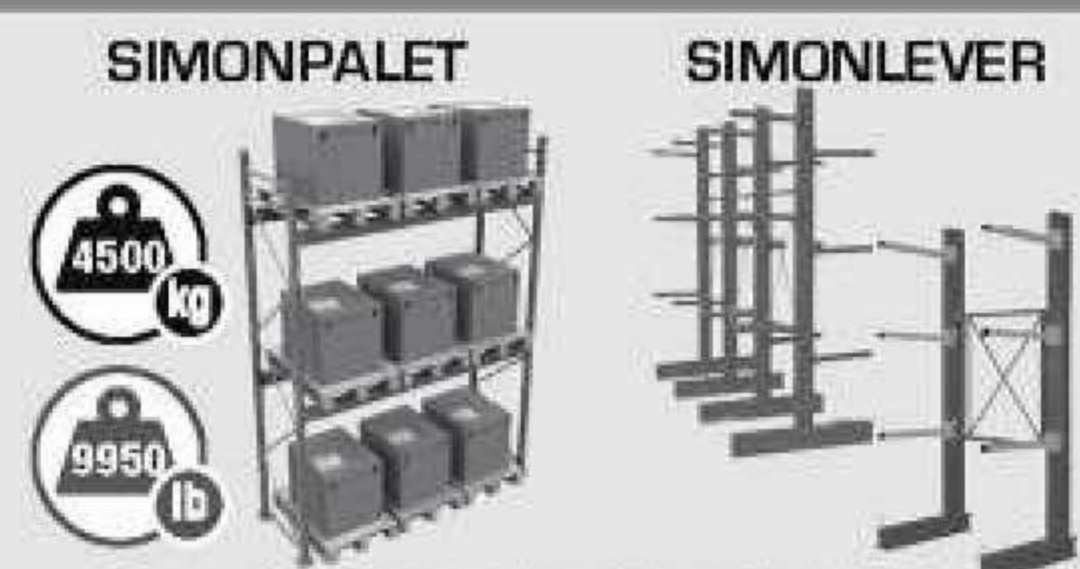
**SIMONTITÁN**



**SIMONINOX**



**SIMONINDUSTRIAL**



ALTILLOS Y PASILLOS ELEVADOS  
PLATFORMS AND MEZZANINES  
LAGERBÜHNEN • PLATES-FORMES ET MEZZANINES

