

SIMONWORK BT3 1500

144,5 x 151 x 61 cm
56.9" x 59.4" x 24.0"



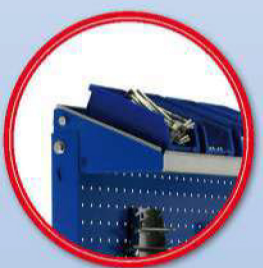
60,3 cm (23.7")

84,2 cm (33.1")

144,5 cm (56.9")

61 cm (24.0")

151 cm (59.4")



- 1 x 150x60 cm (59.1"x23.6")
- 2 x 84 cm (33.1")
- 2 x 144 cm (56.7")
- 1 x 60x150 cm (23.6"x59.1") MDF
- 1 x 35x150 cm (13.8"x59.1")
- 4 x 60 cm (23.6")
- 3 x 150 cm (59.1")
- 1 x 150 cm (59.1")
- 1 x 60 cm (23.6")
- 2 x 9,5x19 cm (3.7"x7.5")
- 1 x 150x20 cm (59.1"x7.9")
- 6 x



Simon Rack
SINCE 1964 - MANUFACTURER



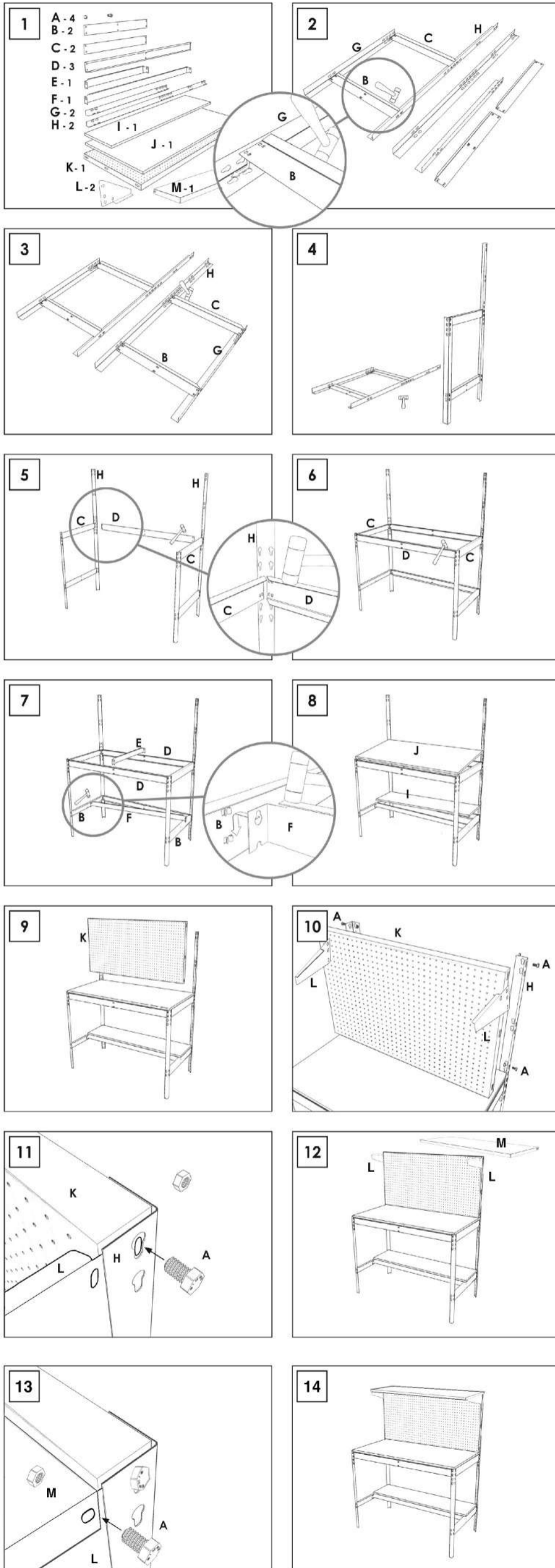
ESTANTERIAS SIMON S.L. B.50.556.463
PG. ALFAMEN C/ POLIGONO C. N°3
ALFAMEN (ZARAGOZA)



www.simonrack.com



INSTRUCCIONES
INSTRUCTIONS
ANLEITUNG
INSTRUCTIONS



SIMONCLASSIC



SIMONCLICK



SIMONTALLER



SIMONAUTO



SIMONWORK



SIMONLOCKER



SIMONOFFICE



SIMONHOME



SIMONGARDEN



SIMONTITAN

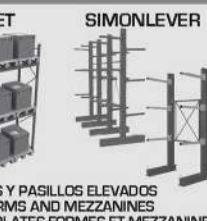


SIMONINOX



SIMONINDUSTRIAL

SIMONPALET



SIMONLEVER



ALTILLOS Y PASILLOS ELEVADOS
PLATFORMS AND MEZZANINES
LAGERBÜHNEN • PLATES-FORMES ET MEZZANINES



* Kg / lb per bandeja con carga uniformemente repartida
Kg / lb per shelf uniformly distributed load
Kg / lb pro fach bei gleichmäßiger verteilter Last
Kg / lb par plateau avec charge uniformément répartie

