

# MEISTERHOLZ TERMO

1,22

**U<sub>d</sub> VALUE**  
(W/m<sup>2</sup> \* K)



MAXIMUM  
LOAD



SEALS



HATCH  
THICKNESS



COMPLIANCE WITH  
THE STANDARD



# MEISTERHOLZ TERMO

The **MEISTERHOLZ TERMO** loft ladder is characterised by a seal and a 26 mm thick hatch cover. The **MEISTERHOLZ TERMO** model works perfectly in conditions where the loft is insulated and no additional thermal insulation is required. The **MEISTERHOLZ TERMO** staircase model is equipped with an excellent quality of materials used for the production of loft ladders and attention to every detail of workmanship ensure that the loft ladders satisfy even the most demanding customers. The maximum load when using this loft ladder is up to 160 kg.

## Technical specification

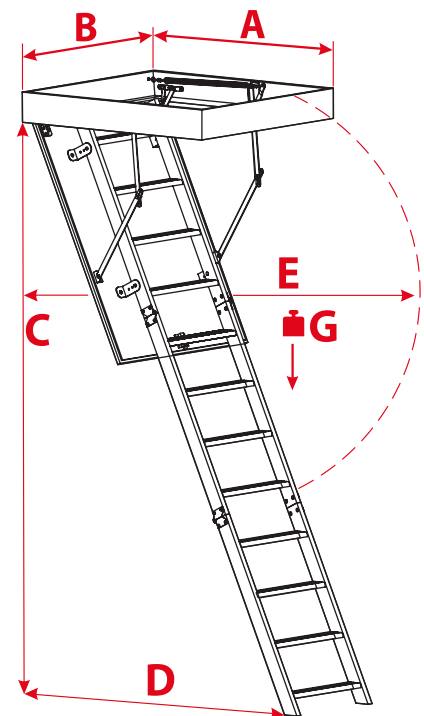
INSULATED HATCH THICKNESS	26 mm
THICKNESS OF THERMAL INSULATION	20 mm
HATCH COLOUR FROM BOTH SIDES	white
WOODEN LADDER	3 sections
HEIGHT OF WOODEN	135 mm
WIDTH OF LADDER	400 mm
WIDTH OF STEP	358 mm
DEPTH OF STEP	80 mm
MAXIMAL LANDING SPACE	148 cm
OPENING DISTANCE	166 cm
MAXIMUM CEILING HEIGHT	280 cm

## Box dimensions [cm]

Outer box dimensions, mounting opening 2 cm larger.

110 x 60	120 x 60	130 x 60
110 x 70	120 x 70	130 x 70

## Technical draw



C	280 cm
D	148 cm
E	166 cm
G	160 kg

## Accessories



MASKING  
BATTEN



MOUNTING  
SYSTEM



HATCH  
BALUSTRADE

