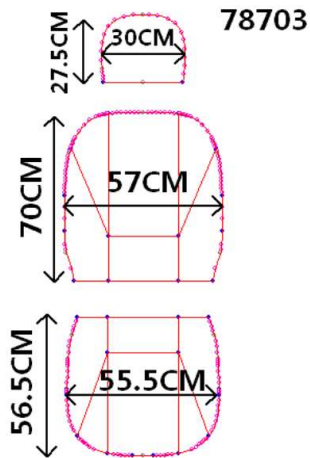


78703 two front seats



Airbag available:



Size:

Installation:

Middle: woven jacquard+3.5mm foam

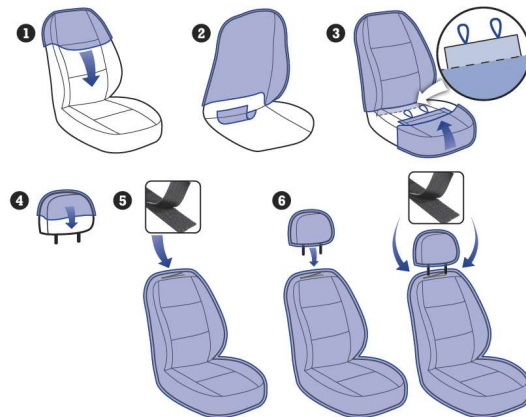
Side: pvc+3.5mm foam

Back: polyester w/o foam

Net weight: 700g

Gross weight: 850g including insert card and PVC bag

**INSTRUCCIONES DE MONTAJE**



For and on behalf of  
AUTOTECH INNOVATION CO., LTD

.....  
Authorized Signature(s)

