



Roca

DECK S



A5A2B88C00

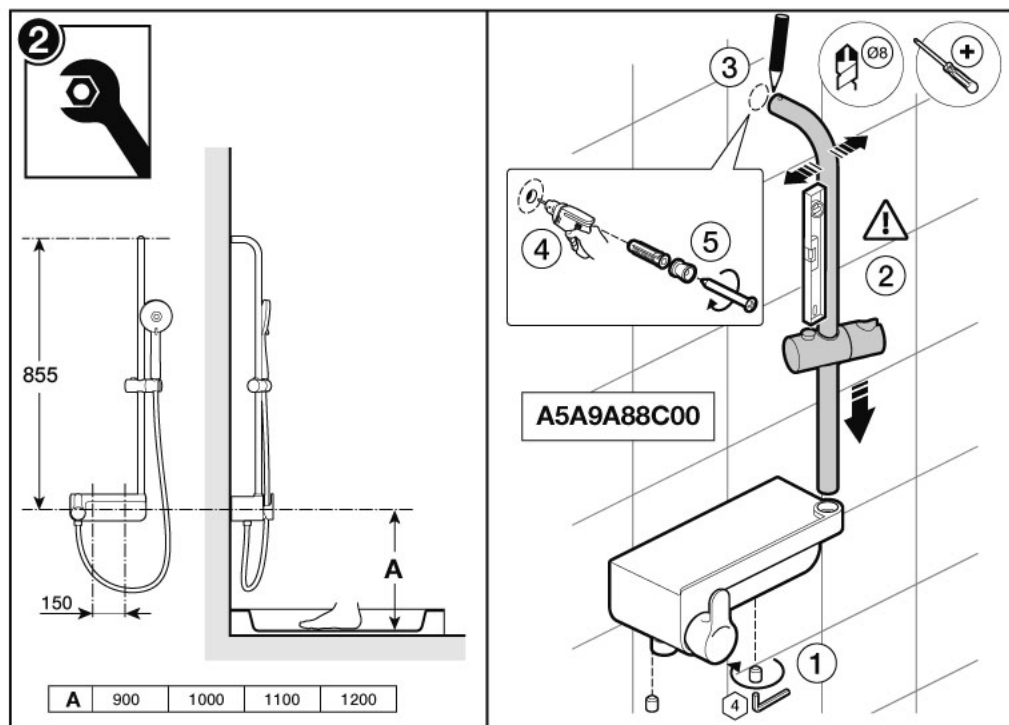
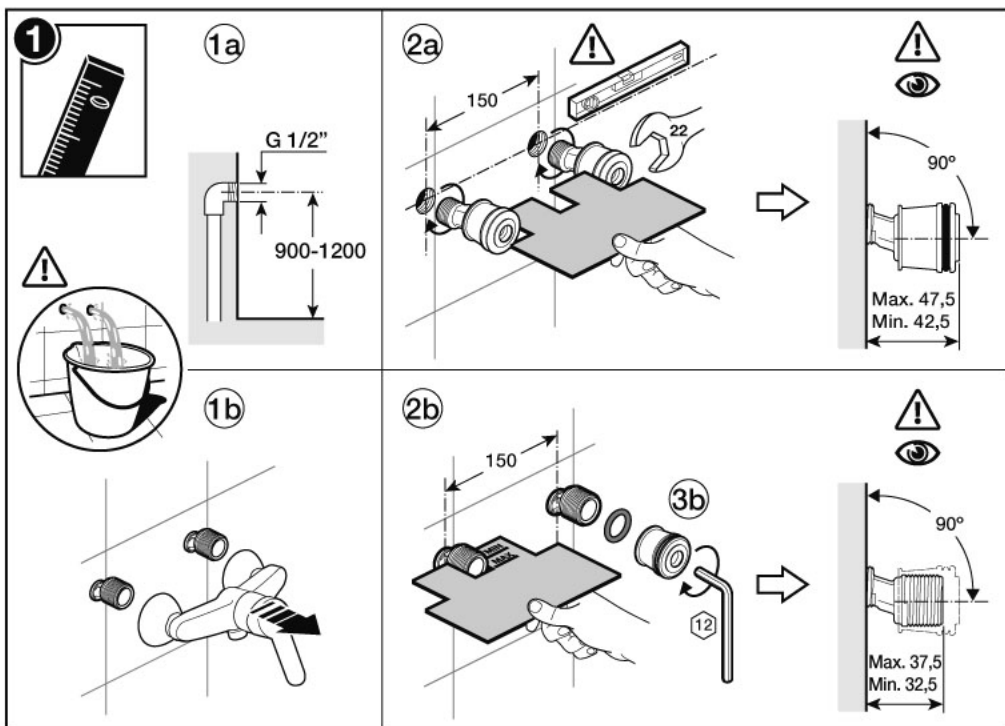


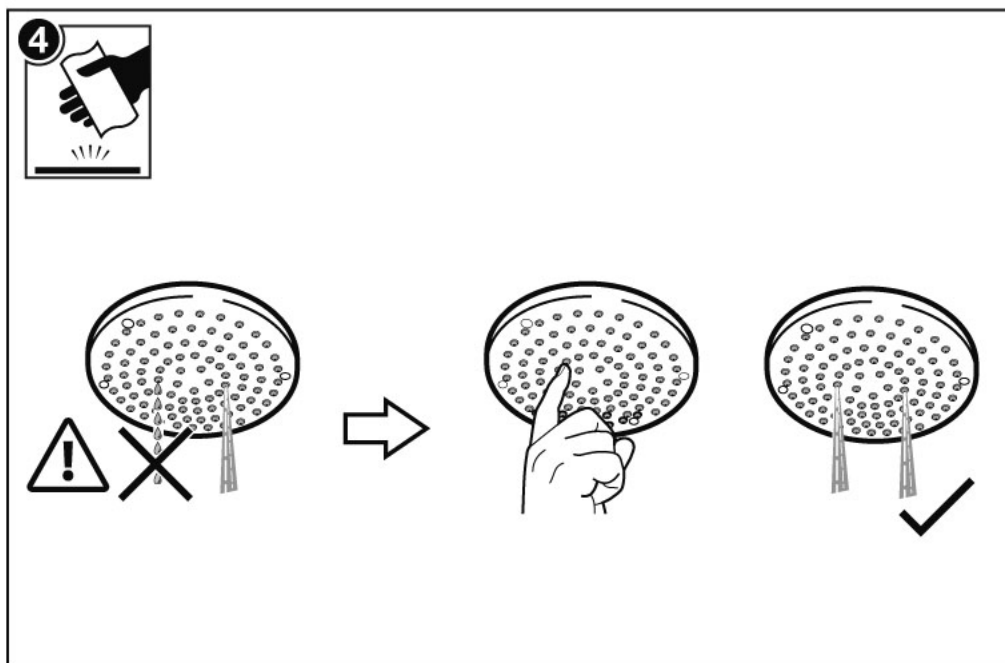
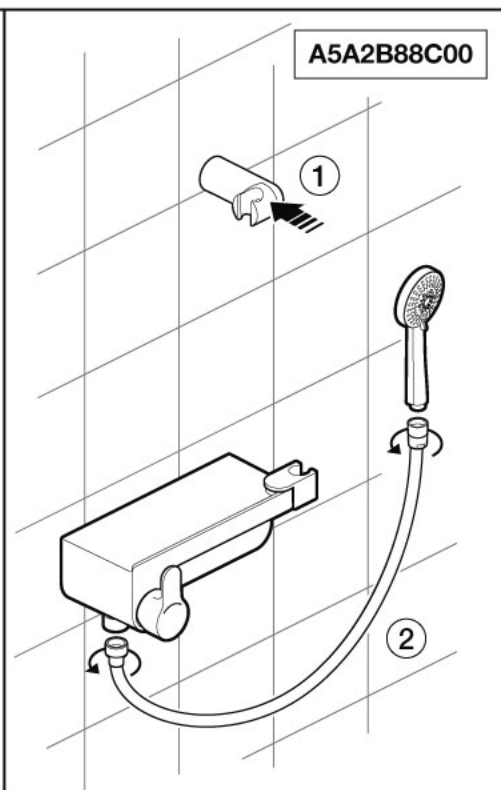
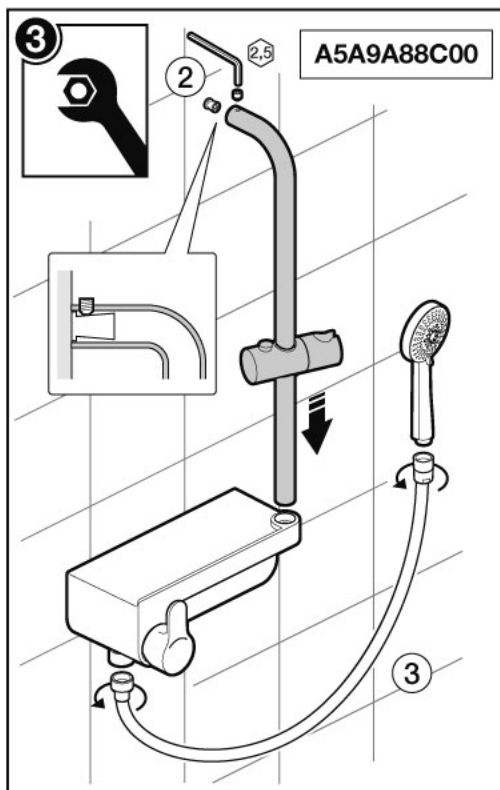
A5A9A88C00

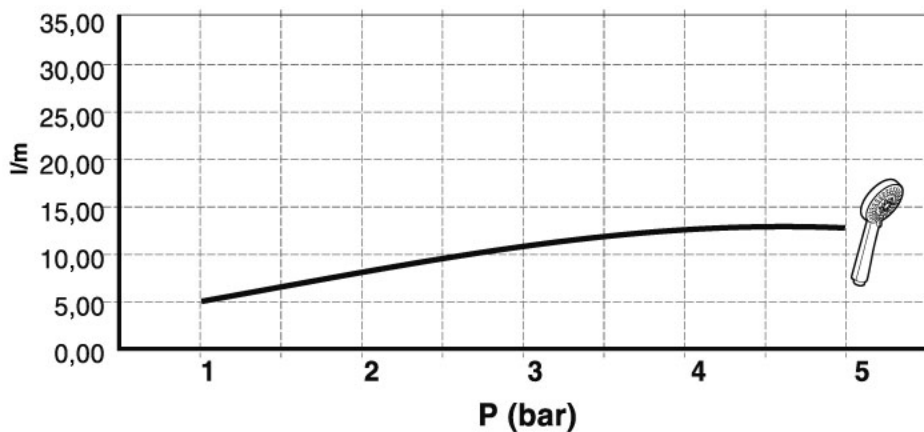

















A5A2088C00







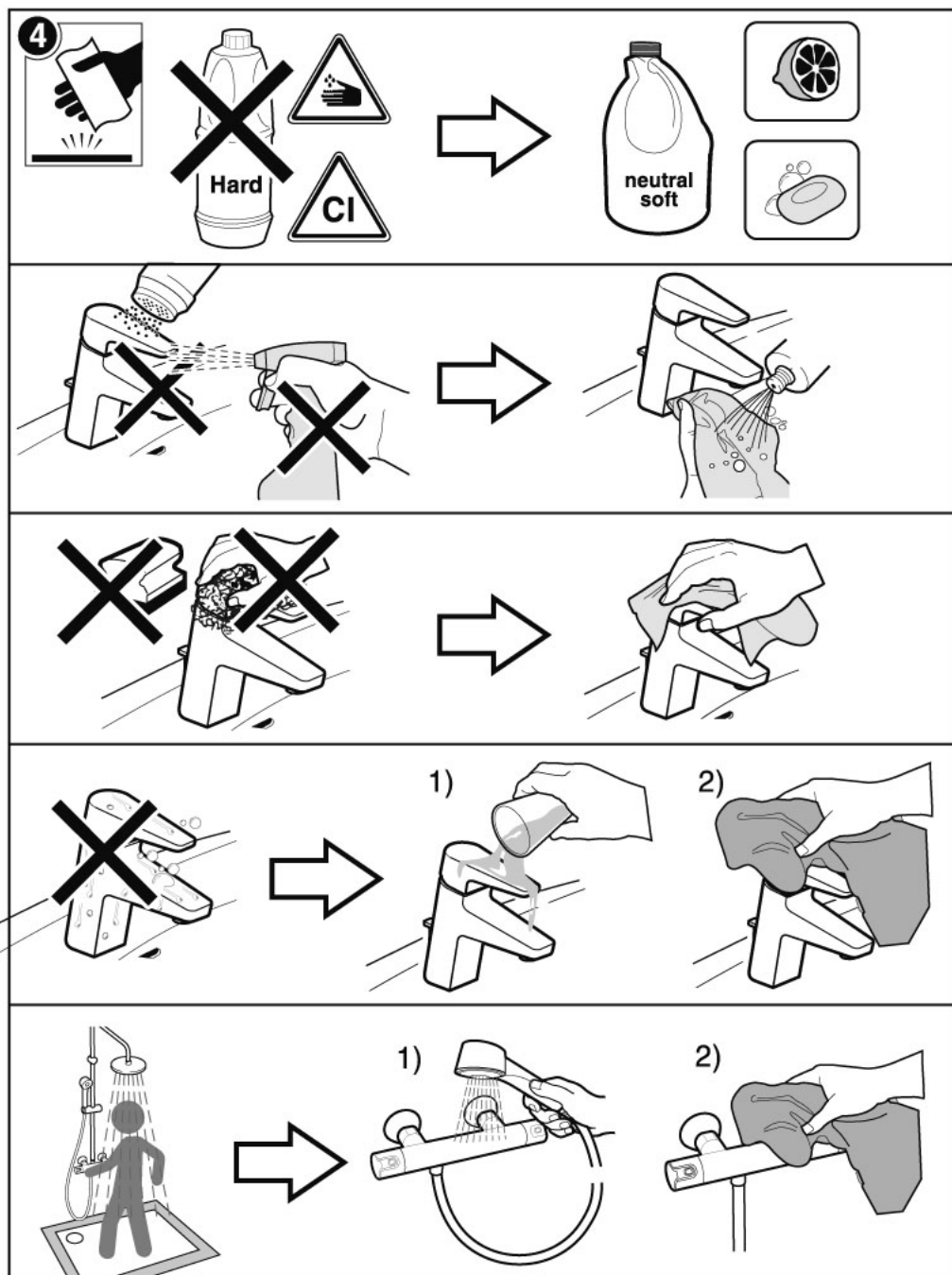


 P 	P bar	 MAX. 10
 P 	P bar	MIN. 0,5  MAX. 5
		 3 
		P  - P  ≤ 2
 T	°C	 80 MAX. 45 MIN. 
 Q (3 bar)	l/min	 12

1 - AG0118600R
2 - AG0032100R
3 - A525027803
4 - AG0110607R
5 - A525024200

6 - AG0118703R
7 - AG0118800R
8 - A525009900
9 - A5B1B03C00
10 - AG0041500R

11 - AG0118900R
12 - AG0003700R
13 - AG0119003R



Roca

Roca Sanitario, S.A.
 Avda. Diagonal, 513
 08029 Barcelona
 SPAIN
www.roca.com



productsupport.rs@roca.net
soporteproducto.rs@roca.net