

AEG

BKS18PBL

Original instructions

Übersetzung der Originalanleitung

Traduction de la notice originale

Traduzione delle istruzioni originali

Traducción del manual original

Tradução do manual original

Vertaling van de originele instructies

Oversættelse af den originale brugsanvisning

Oversættelse av de originale instruksjonene

Översättning av originalinstruktionerna

Alkuperäisten ohjeiden käännös

Μετάφραση των πρωτότυπων οδηγιών

Orijinal talimatların çevirileri

Překlad původního návodu k obsluze

Preklad originálu pokynov

Tłumaczenie oryginalnej instrukcji

Az eredeti útmutató fordítása

Prevod originalnih navodil

Prijevod originalnih uputa

Originālo instrukciju tulkojums

Originalių instrukcijų vertimas

Originaaljuhendi tõlge

Перевод оригинальных инструкций

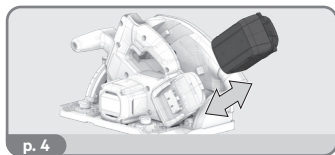
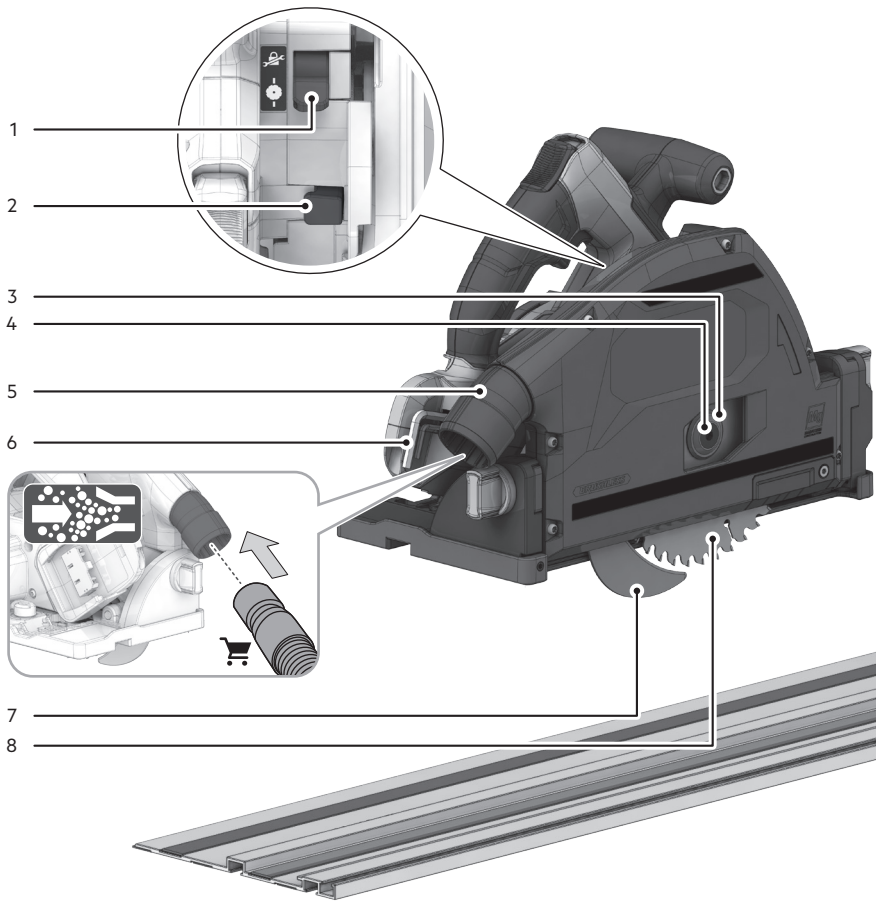
Превод на оригиналните инструкции

Traducerea instrucțiunilor originale

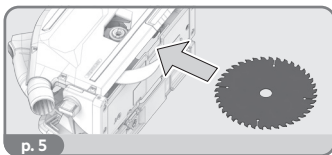
Преводи на оригиналните упатства

Переклад оригінальних інструкцій

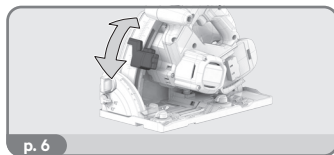
ترجمة تعليمات النسخة الأصلية



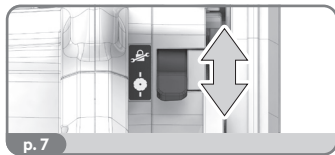
p. 4



p. 5



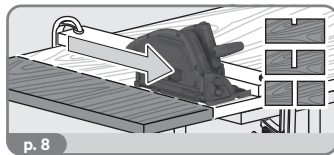
p. 6



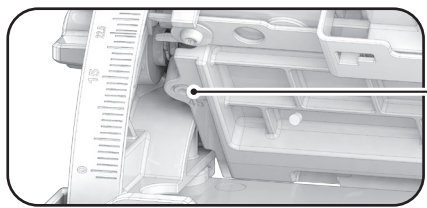
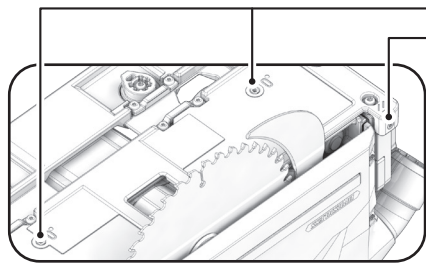
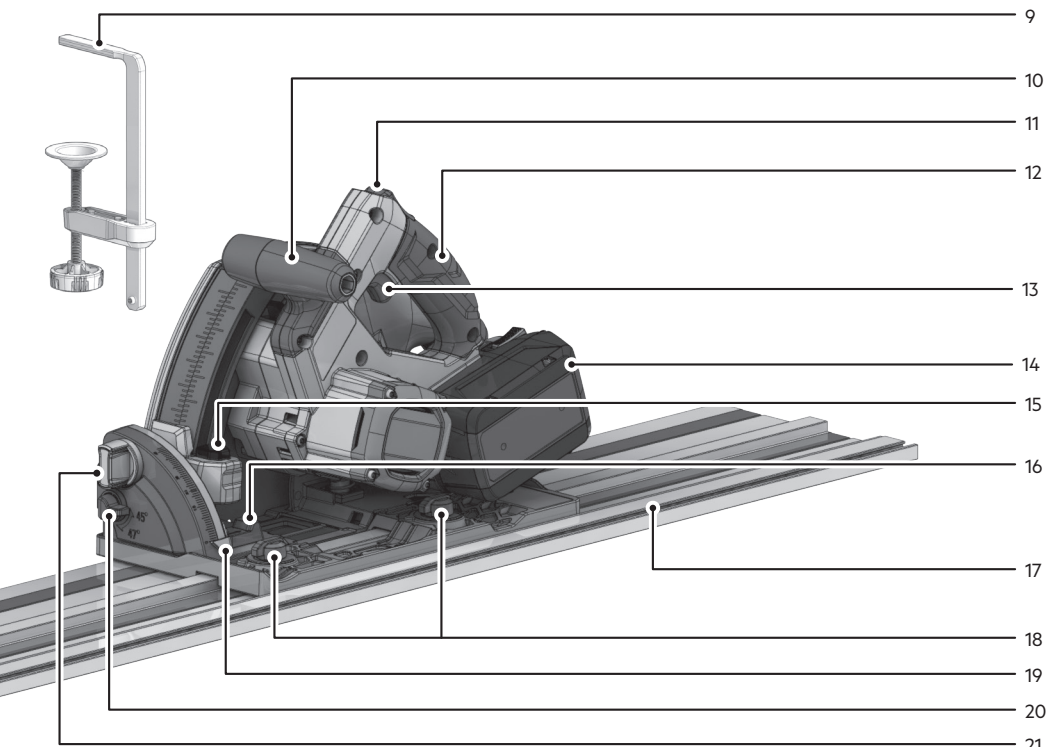
p. 7



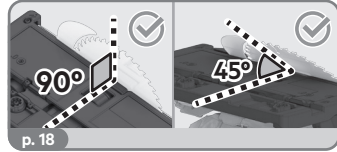
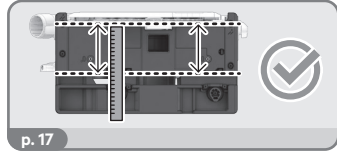
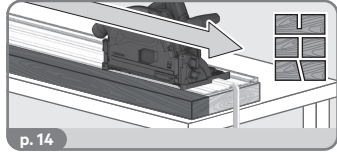
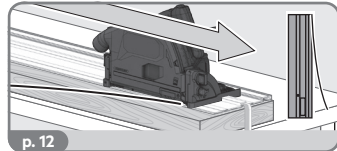
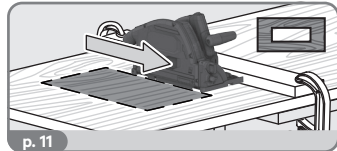
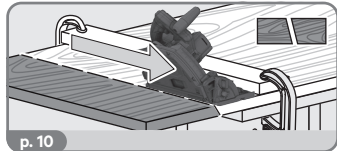
p. 7

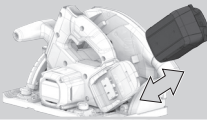


p. 8



- EN
- DE
- FR
- IT
- ES
- PT
- NL
- DA
- NO
- SV
- FI
- EL
- TR
- CS
- SK
- PL
- HU
- SL
- HR
- LV
- LT
- ET
- RU
- BG
- RO
- MK
- UK
- AR





Remove the battery pack before starting any work on the product.

Entfernen Sie den Akku, bevor Sie an dem Gerät arbeiten.

Retirez le bloc-batterie avant d'effectuer la moindre intervention sur le produit.

Rimuovere il pacco batteria prima di iniziare a lavorare sul prodotto.

Retire la batería antes de iniciar cualquier trabajo en el producto.

Retire a bateria antes de iniciar quaisquer tarefas no produto.

Verwijder de accu alvorens werkzaamheden aan de machine uit te voeren.

Fjern batteripakken inden start af arbejde på produktet.

Fjern batteripakken før du starter noe arbeid på produktet.

Ta bort batteripaketet innan arbete på produkten påbörjas.

Irrota akkupakkaus ennen kuin teet tuotteeseen mitään toimenpiteitä.

Αφαιρέστε τη μπαταρία πριν ξεκινήσετε οποιαδήποτε εργασία στο μηχανήμα.

Ūrūt ūzerinde herhangī bir īsleme bařlamadan ōnce pil paketini ĉikarņ.

Před zahájením práce na produktu vyjměte baterii.

Pred akoukoľvek činnosťou na výrobku vyberte z neho súpravu batérii.

Przed rozpoczęciem prac przy produkcji należy wyjąć akumulator.

A termékén végzett bármilyen munka elkezdése előtt vegye ki az akkut.

Pred začetkom izvajanja kakršnihkoli posegov na izdelku odstranite baterijski vložek.

Baterijski sklop uklonite prije početka bilo kakvog rada na proizvodu.

Ņemiet akumulatoru bloku, pirms uzsākt jebkādas apkopes darbus.

Išimkite akumulatoriū, prieš vykdydami bet kokius įrenginio techninės priežiūros, valymo ar remonto darbus.

Eemaldage aku enne mistahes tööde teostamist toote juures.

До начала любых работ над изделием извлеките аккумуляторный блок.

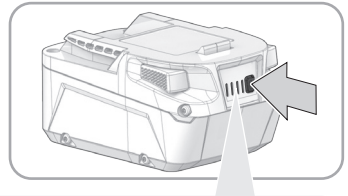
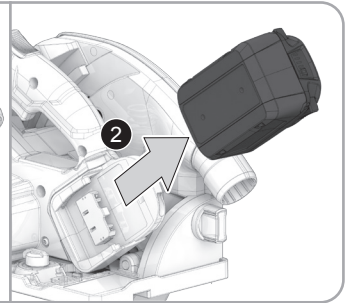
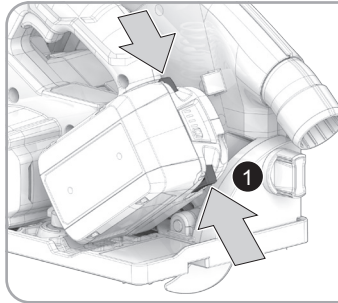
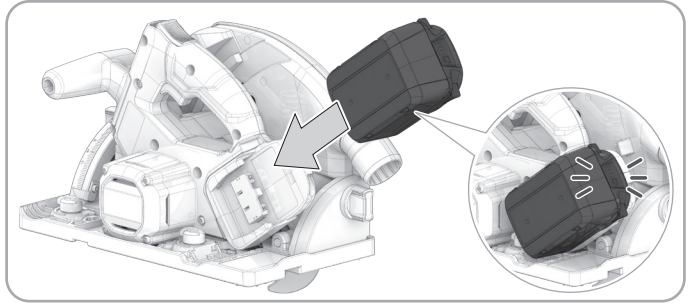
Издадете акумулаторната батерия, преди да започнете каквато и да е дейност по продукта.

Înainte de a începe orice operație asupra produsului, scoateți acumulatorul.

Отстранете ги батериите пред да почнете да вршите некаква работа на самиот производ.

Перед початком будь-яких операций з пристроєм виийте акумулаторну батарею .

يجب إزالة حزمة البطارية قبل البدء في أي أعمال على المنتج.



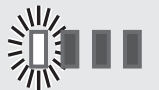
75-100 %



50-75 %

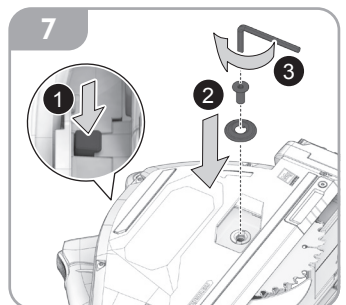
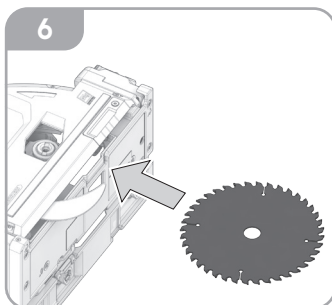
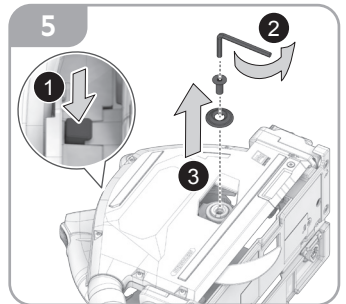
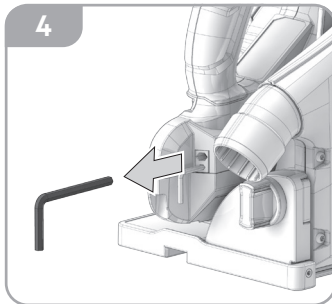
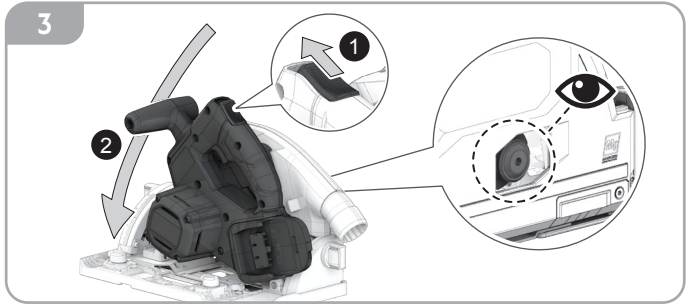
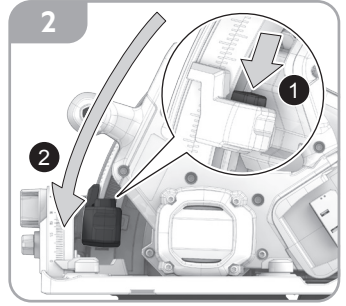
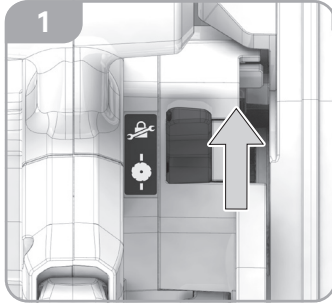
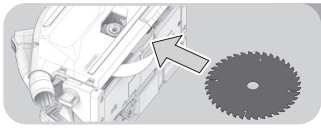


25-50 %



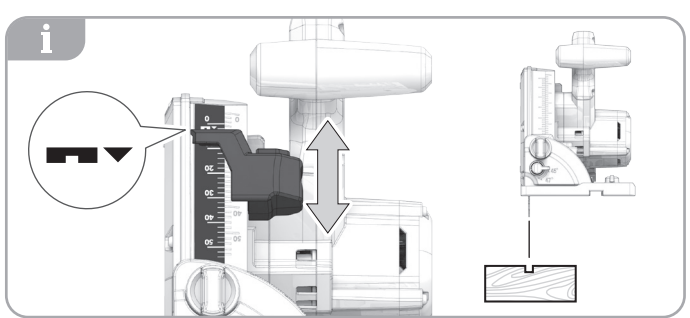
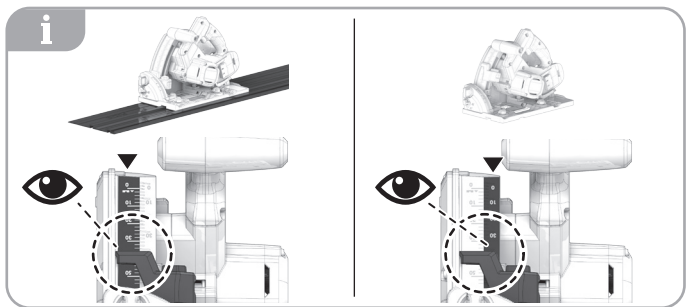
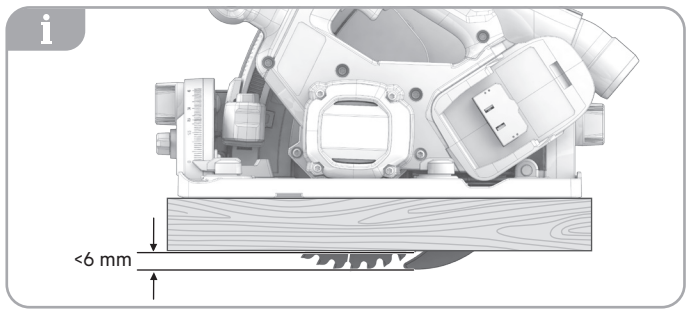
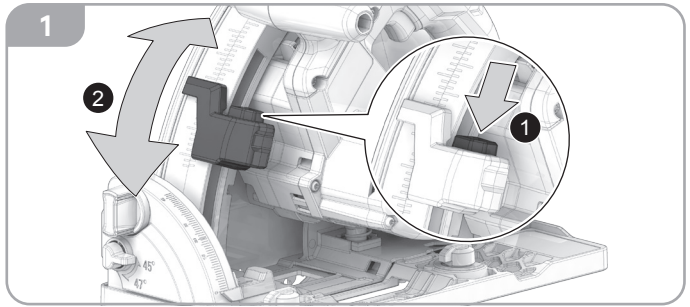
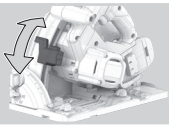
0-25 %

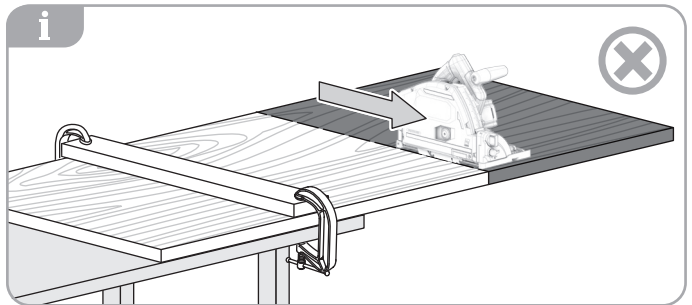
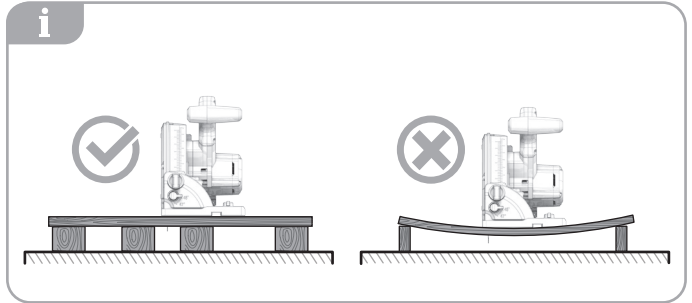
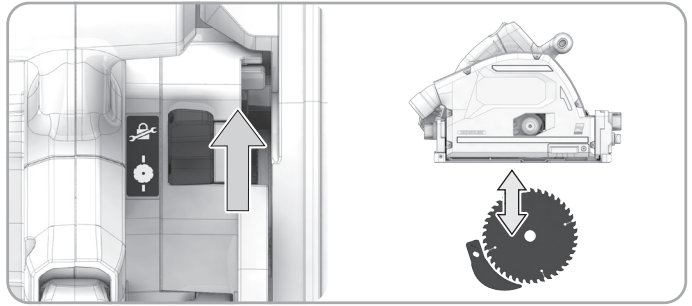
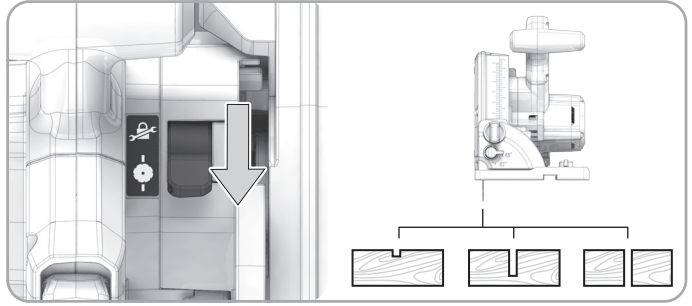
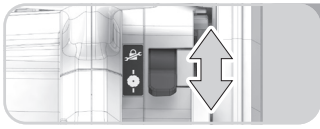




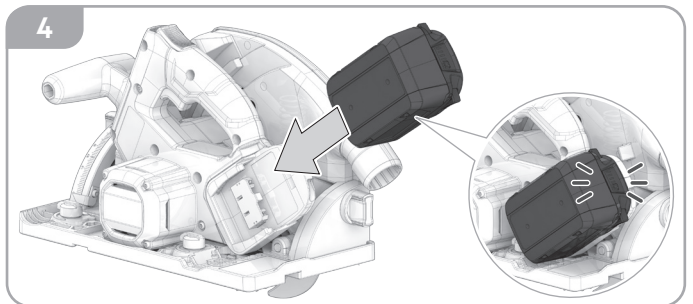
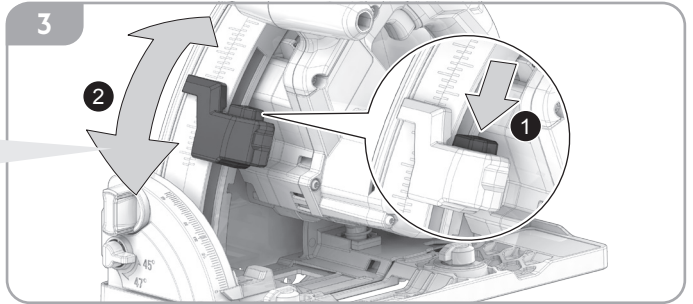
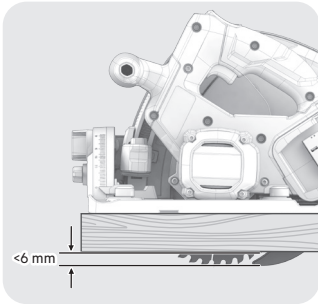
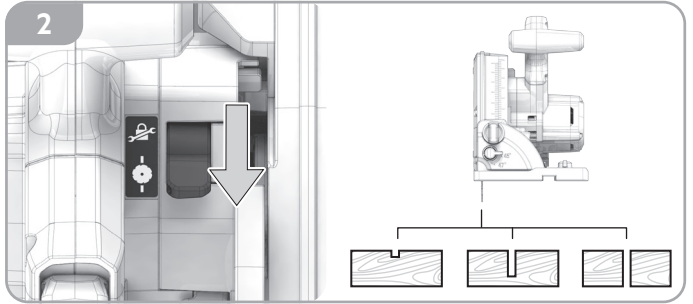
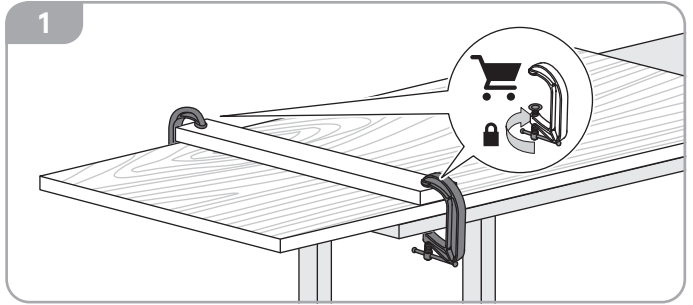
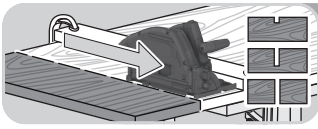
- EN
- DE
- FR
- IT
- ES
- PT
- NL
- DA
- NO
- SV
- FI
- EL
- TR
- CS
- SK
- PL
- HU
- SL
- HR
- LV
- LT
- ET
- RU
- BG
- RO
- MK
- UK
- AR

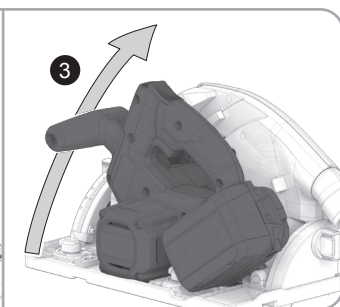
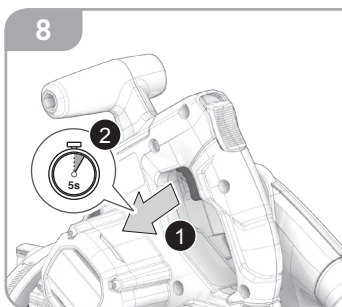
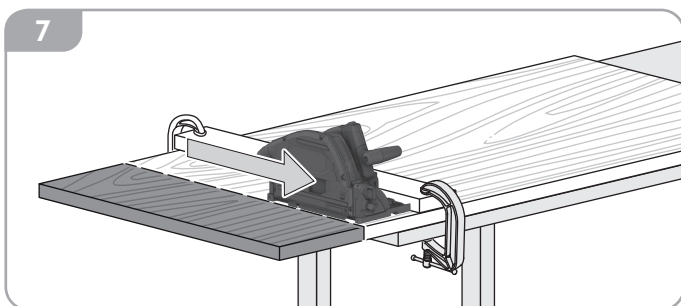
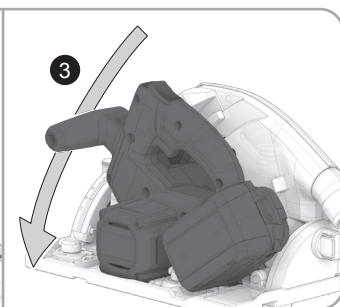
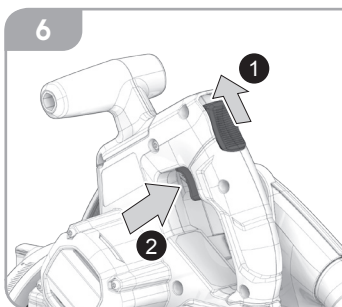
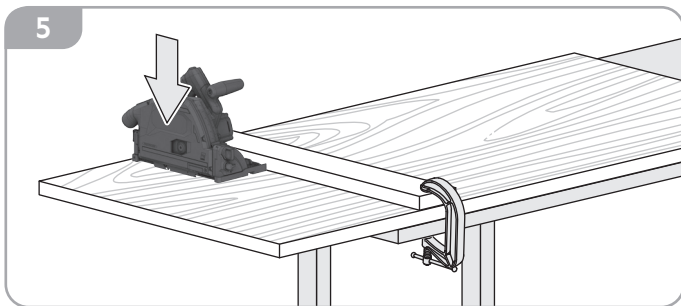






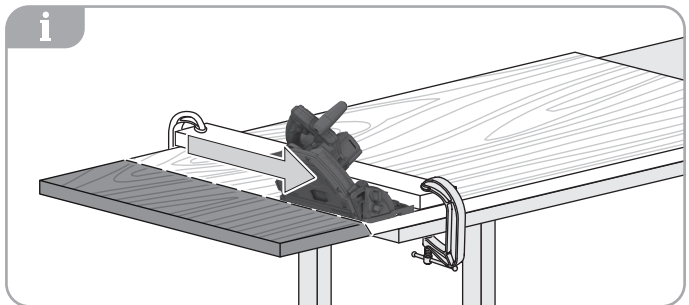
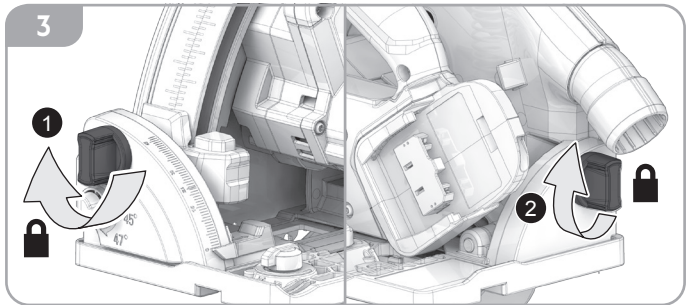
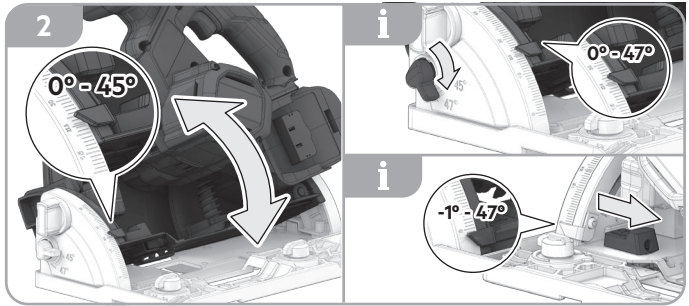
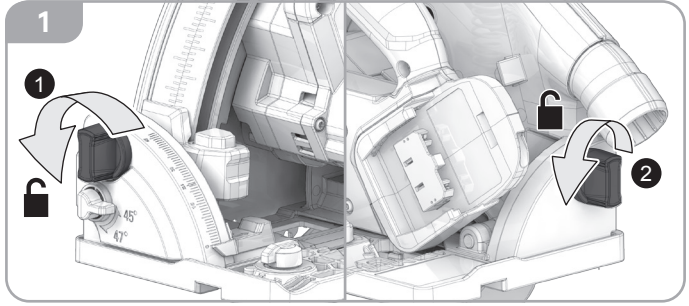
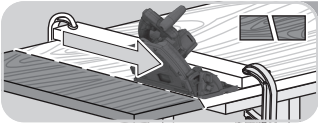
-  EN
- DE
- FR
- IT
- ES
- PT
- NL
- DA
- NO
- SV
- FI
- EL
- TR
- CS
- SK
- PL
- HU
- SL
- HR
- LV
- LT
- ET
- RU
- BG
- RO
- MK
- UK
- AR
- 

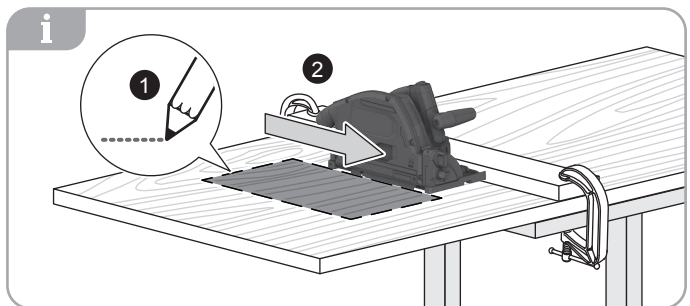
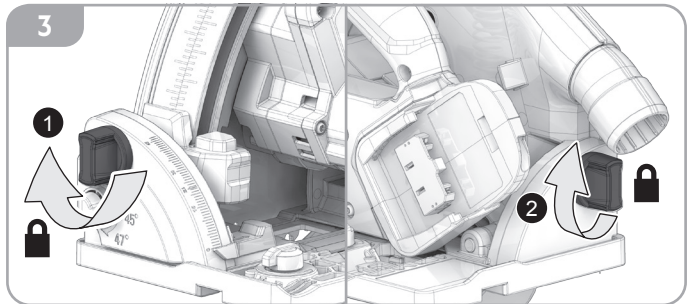
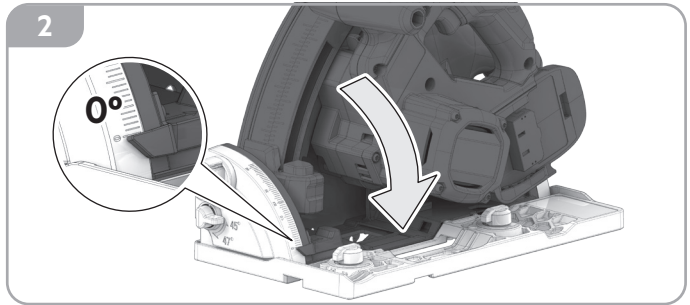
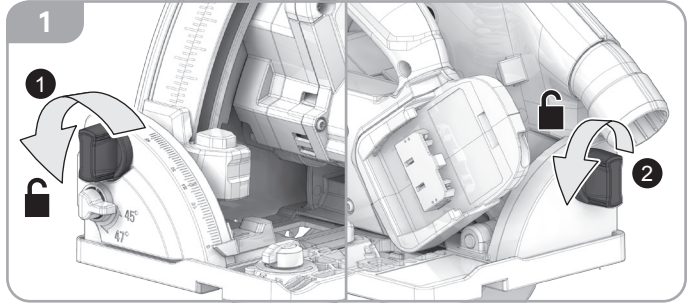
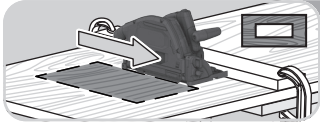




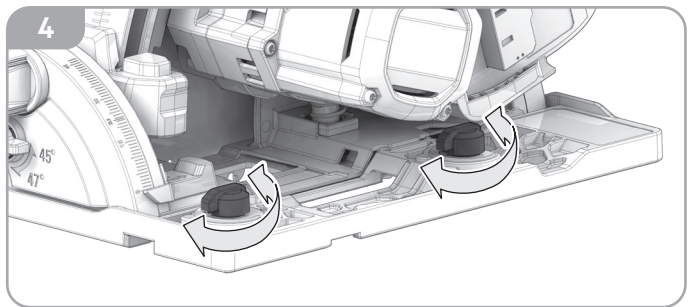
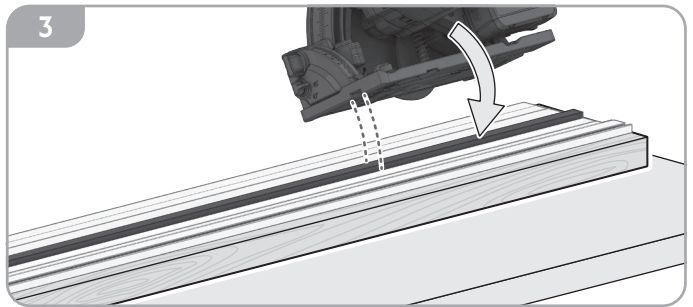
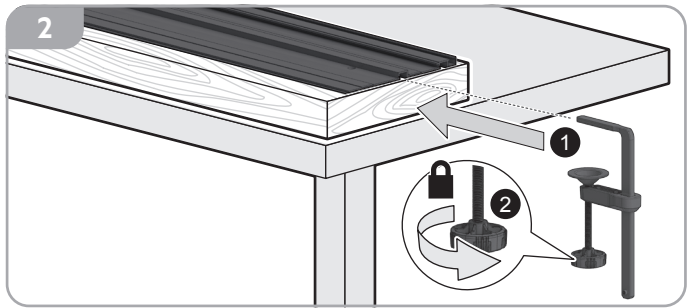
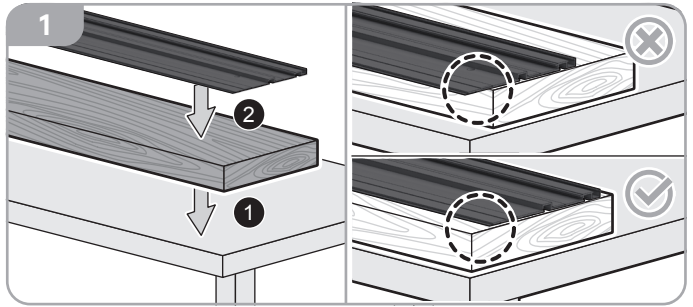
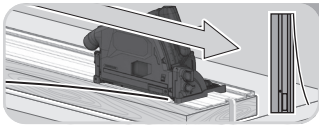
- EN
- DE
- FR
- IT
- ES
- PT
- NL
- DA
- NO
- SV
- FI
- EL
- TR
- CS
- SK
- PL
- HU
- SL
- HR
- LV
- LT
- ET
- RU
- BG
- RO
- MK
- UK
- AR

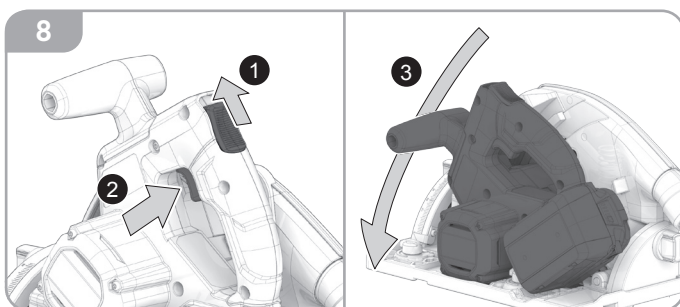
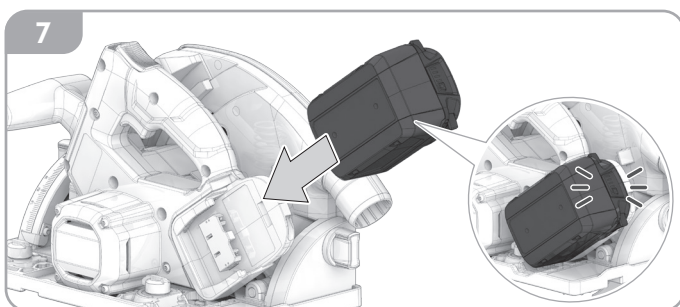
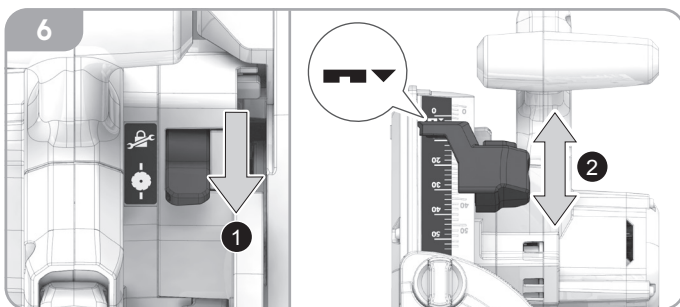
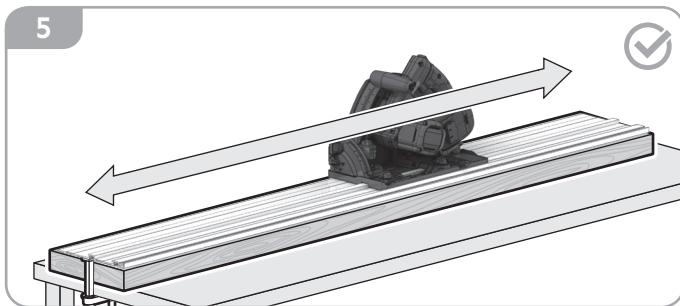






- EN
- DE
- FR
- IT
- ES
- PT
- NL
- DA
- NO
- SV
- FI
- EL
- TR
- CS
- SK
- PL
- HU
- SL
- HR
- LV
- LT
- ET
- RU
- BG
- RO
- MK
- UK
- AR
-





- EN

 DE

 FR

 IT

 ES

 PT

 NL

 DA

 NO

 SV

 FI

 EL

 TR

 CS

 SK

 PL

 HU

 SL

 HR

 LV

 LT

 ET

 RU

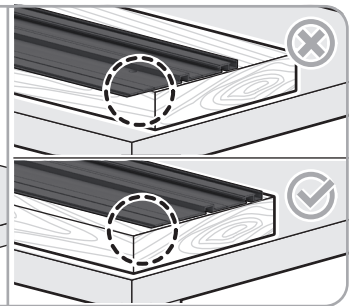
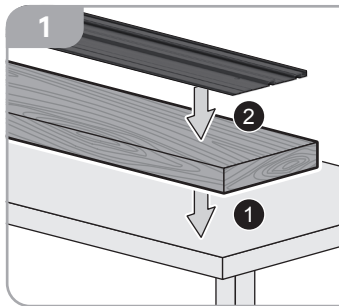
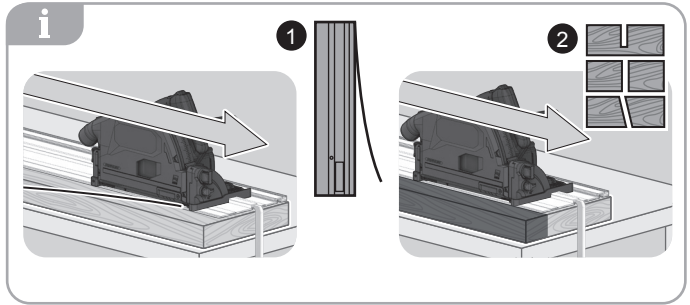
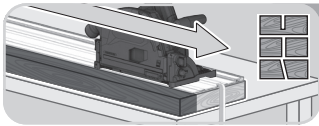
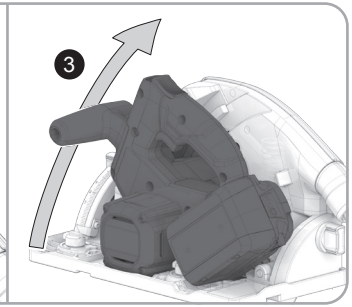
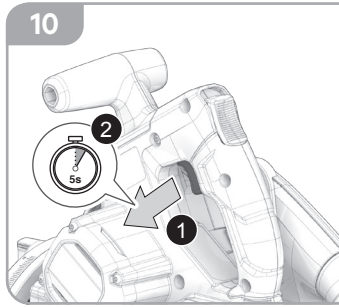
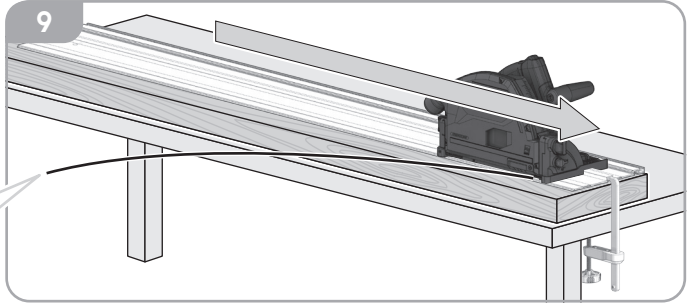
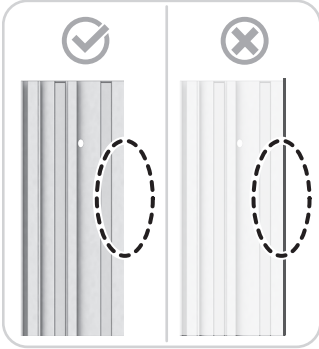
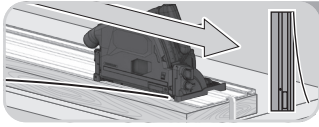
 BG

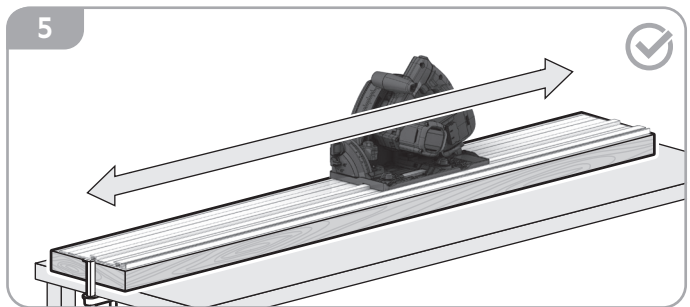
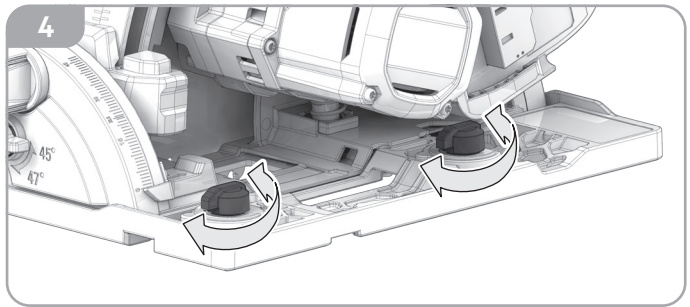
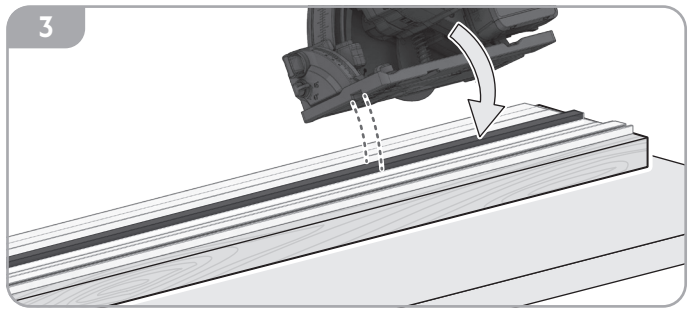
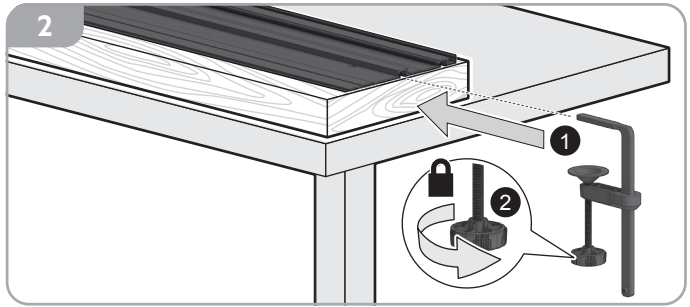
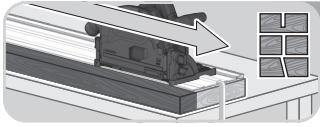
 RO

 MK

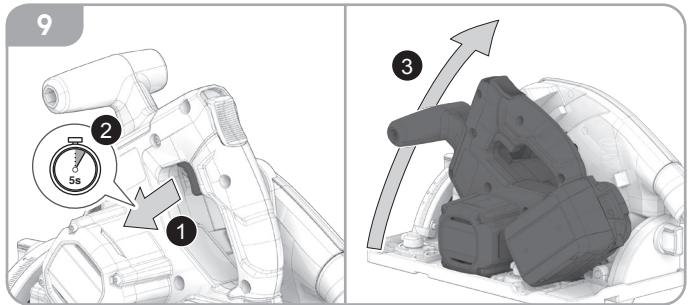
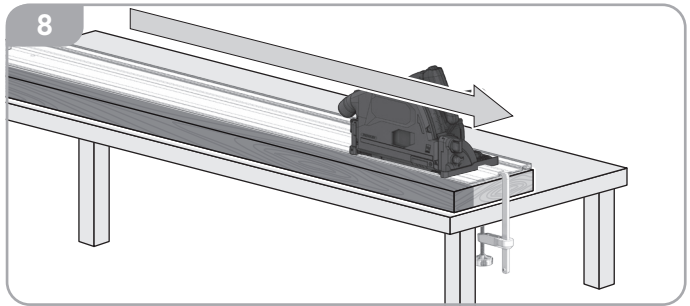
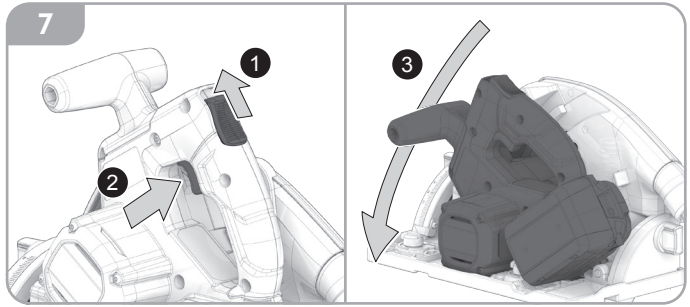
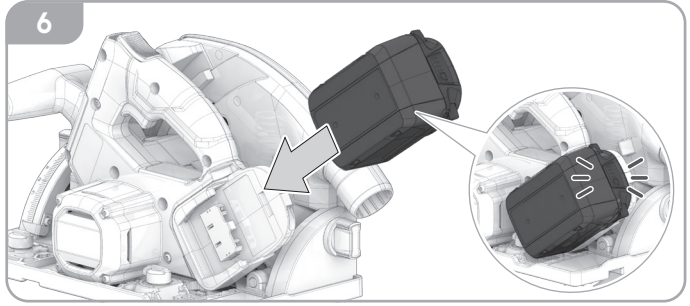
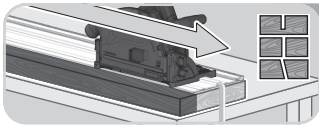
 UK

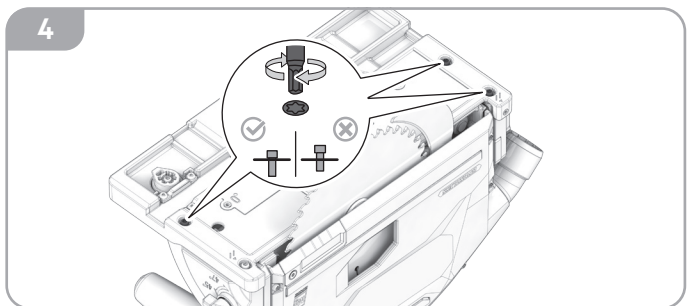
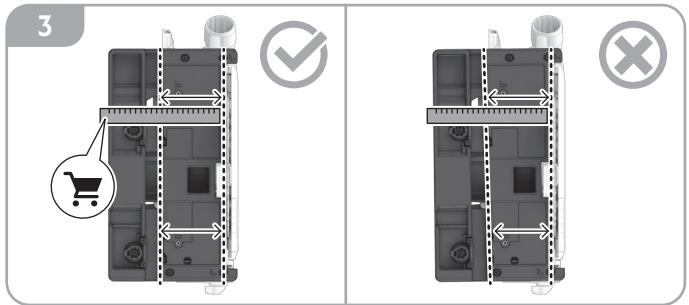
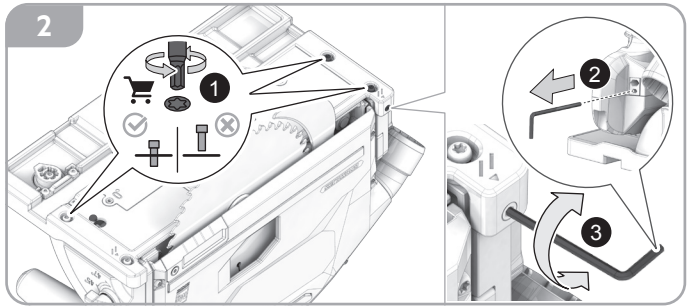
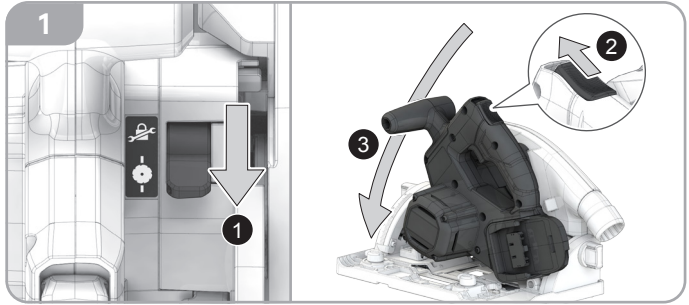
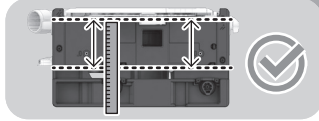
 AR




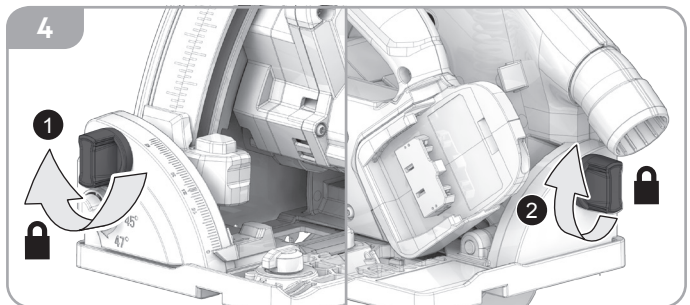
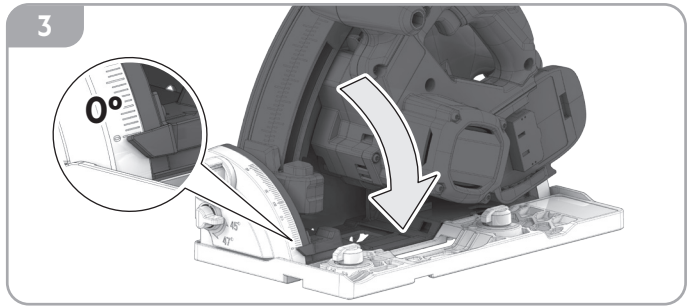
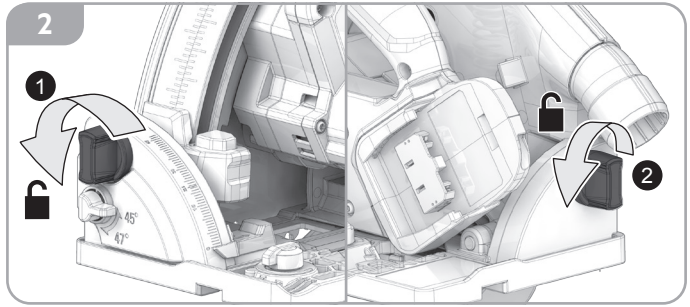
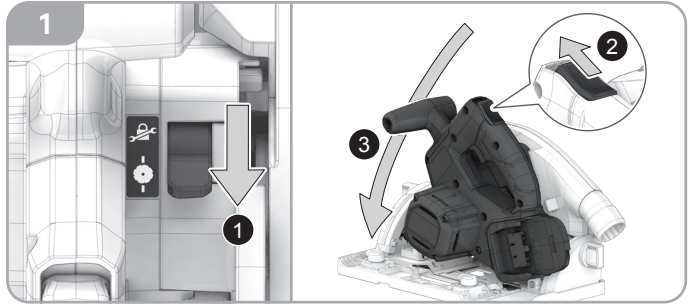
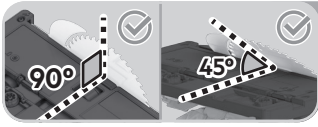


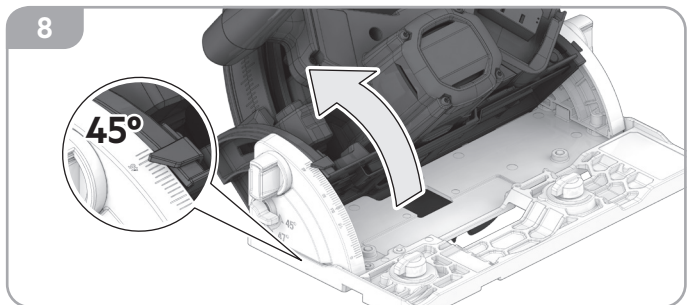
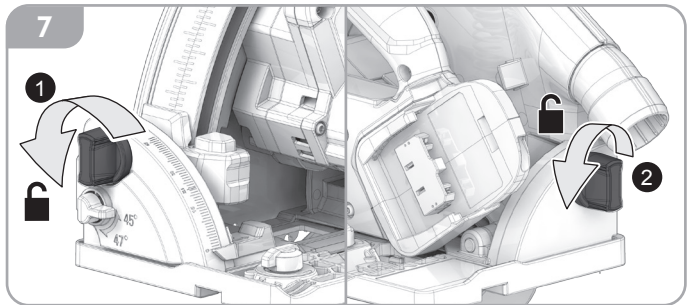
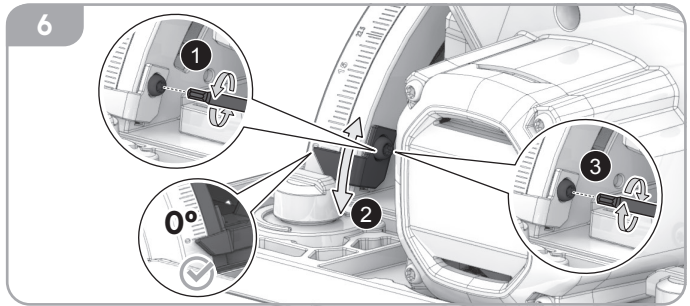
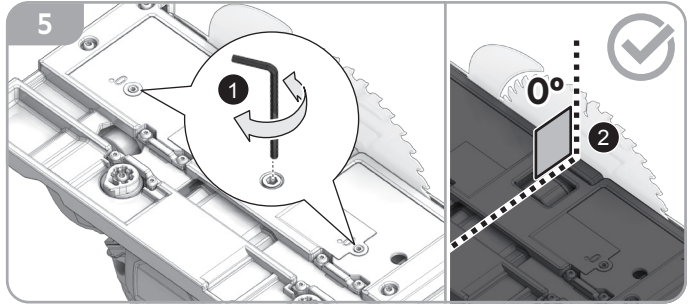
- EN
- DE
- FR
- IT
- ES
- PT
- NL
- DA
- NO
- SV
- FI
- EL
- TR
- CS
- SK
- PL
- HU
- SL
- HR
- LV
- LT
- ET
- RU
- BG
- RO
- MK
- UK
- AR





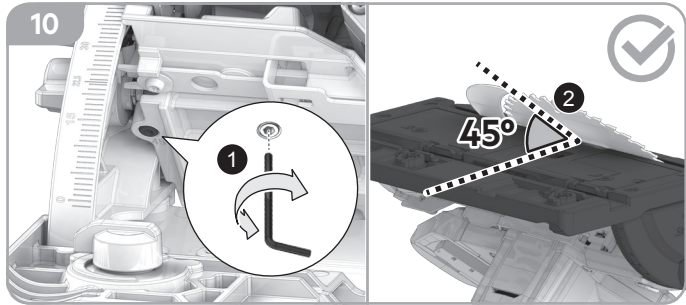
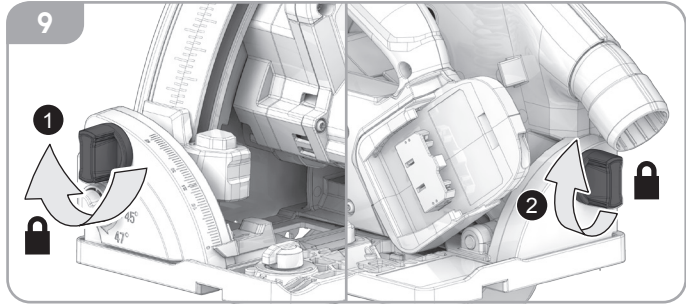
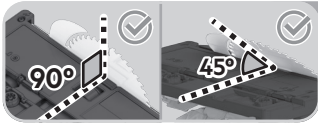
-  EN
- DE
- FR
- IT
- ES
- PT
- NL
- DA
- NO
- SV
- FI
- EL
- TR
- CS
- SK
- PL
- HU
- SL
- HR
- LV
- LT
- ET
- RU
- BG
- RO
- MK
- UK
- AR
- 





- EN
- DE
- FR
- IT
- ES
- PT
- NL
- DA
- NO
- SV
- FI
- EL
- TR
- CS
- SK
- PL
- HU
- SL
- HR
- LV
- LT
- ET
- RU
- BG
- RO
- MK
- UK
- AR





EN ORIGINAL INSTRUCTIONS

SPECIFIED CONDITIONS OF USE

The track saw is intended for rip-cutting and cross-cutting of wood or similar materials up to a maximum depth of 58.5 mm. The product can make straight or bevelled cuts between 0 and 45 degrees.

The product is designed for handheld use. The product is not to be mounted onto a workbench. Do not use the product for cutting metal or masonry.

Do not use the product for any other purpose.

⚠ WARNING! Read all safety warnings, instructions, illustrations and specifications provided with this power tool. Failure to follow all instructions listed below may result in electric shock, fire and/or serious injury.

Save all warnings and instructions for future reference.

TRACK SAW SAFETY WARNINGS

Cutting procedures

⚠ DANGER: Keep hands away from cutting area and the blade. Keep your second hand on auxiliary handle, or motor housing. If both hands are holding the saw, they cannot be cut by the blade.

Do not reach underneath the workpiece. The guard cannot protect you from the blade below the workpiece.

Adjust the cutting depth to the thickness of the workpiece. Less than a full tooth of the blade teeth should be visible below the workpiece.

Never hold the workpiece in your hands or across your leg while cutting. Secure the workpiece to a stable platform. It is important to support the work properly to minimise body exposure, blade binding, or loss of control.

Hold the power tool by insulated gripping surfaces, when performing an operation where the cutting tool may contact hidden wiring. Contact with a "live" wire will also make exposed metal parts of the power tool "live" and could give the operator an electric shock.

When ripping, always use a rip fence or straight edge guide. This improves the accuracy of cut and reduces the chance of blade binding.

Always use blades with correct size and shape (diamond versus round) of arbour holes. Blades that do not match the mounting hardware of the saw will run off-centre, causing loss of control.

Never use damaged or incorrect blade washers or bolt. The blade washers and bolt were specially designed for your saw, for optimum performance and safety of operation.

Kickback causes and related warnings

- kickback is a sudden reaction to a pinched, jammed or misaligned saw blade, causing an uncontrolled saw to lift up and out of the workpiece toward the operator;
- when the blade is pinched or jammed tightly by the kerf closing down, the blade stalls and the motor reaction drives the unit rapidly back toward the operator;
- if the blade becomes twisted or misaligned in the cut, the teeth at the back edge of the blade can dig into the top surface of the wood causing the blade to climb out of the kerf and jump back toward the operator.

Kickback is the result of saw misuse and/or incorrect operating procedures or conditions and can be avoided by taking proper precautions as given below.

Maintain a firm grip with both hands on the saw and position your arms to resist kickback forces. Position your body to either side of the blade, but not in line with the blade. Kickback could cause the saw to jump backwards, but kickback forces can be controlled by the operator, if proper precautions are taken.

When blade is binding, or when interrupting a cut for any reason, release the trigger and hold the saw motionless in the material until the blade comes to a complete stop. Never attempt to remove the saw from the work or pull the saw backward while the blade is in motion or kickback may occur.

Investigate and take corrective actions to eliminate the cause of blade binding.

When restarting a saw in the workpiece, centre the saw blade in the kerf so that the saw teeth are not engaged into the material. If a saw blade binds, it may walk up or kickback from the workpiece as the saw is restarted.

Support large panels to minimise the risk of blade pinching and kickback. Large panels tend to sag under their own weight. Supports must be placed under the panel on both sides, near the line of cut and near the edge of the panel.

Do not use dull or damaged blades. Unsharpened or improperly set blades produce narrow kerf causing excessive friction, blade binding and kickback.

Blade depth and bevel adjusting locking levers must be tight and secure before making the cut. If blade adjustment shifts while cutting, it may cause binding and kickback.

Use extra caution when sawing into existing walls or other blind areas. The protruding blade may cut objects that can cause kickback.

Guard function

Check the guard for proper closing before each use. Do not operate the saw if the guard does not move freely and enclose the blade instantly. Never clamp or tie the guard so that the blade is exposed. If the saw is accidentally dropped, the guard may be bent. Check to make sure that the guard moves freely and does not touch the blade or any other part, in all angles and depths of cut.

Check the operation and condition of the guard return spring. If the guard and the spring are not operating properly, they must be serviced before use. The guard may operate sluggishly due to damaged parts, gummy deposits, or a build-up of debris.

Assure that the base plate of the saw will not shift while performing a "plunge cut". Blade shifting sideways will cause binding and likely kick back.

Always observe that the guard is covering the blade before placing the saw down on bench or floor. An unprotected, coasting blade will cause the saw to walk backwards, cutting whatever is in its path. Be aware of the time it takes for the blade to stop after the switch is released.

Riving knife function

Use the appropriate saw blade for the riving knife. For the riving knife to function, the body of the blade must be thinner than the riving knife and the cutting width of the blade must be wider than the thickness of the riving knife.

Adjust the riving knife as described in this instruction manual. Incorrect spacing, positioning and alignment can make the riving knife ineffective in preventing kickback.

For the riving knife to work, it must be engaged in the workpiece. The riving knife is ineffective in preventing kickback during short cuts.

Do not operate the saw if the riving knife is bent. Even a light interference can slow the closing rate of a guard.

ADDITIONAL SAFETY AND WORKING INSTRUCTIONS

Do not use any abrasive wheels.

Ensure that the riving knife is adjusted so that the distance between the riving knife and the rim of the blade is not more than 5 mm, and the rim of the blade does not extend more than 5 mm beyond the lowest edge of the riving knife.

Use only blade diameter(s) in accordance with the markings.

Identify the correct saw blade to be used for the material to be cut. Use only saw blades that are marked with a speed equal or higher than the speed marked on the tool.

Use only saw blades recommended by the manufacturer, which conform to EN 847-1, if intended for wood and analogous materials.

Wear a dust mask.

Clamp the workpiece with a clamping device. Unclamped workpieces can cause severe injury and damage.

Dirty blade guards may limit proper operation of the product, resulting in serious personal injury. Clean the blade guards with



EN
DE
FR
IT
ES
PT
NL
DA
NO
SV
FI
EL
TR
CS
SK
PL
HU
SL
HR
LV
ET
RU
BG
RO
MK
UK
AR



compressed air to ensure there is no accumulation of saw dust. Wear proper eye and respiratory protection.

Check and make sure that the blade guard functions properly. Follow the steps below to check the proper function of the blade guard.

- Ensure that the battery is removed from the product.
- Press the lock-off button.
- Grasp the front handle and apply downward pressure to lower and expose the blade.
- Slowly allow the front handle to rise until the blade is completely inside of the guard.
- Make sure that the blade guard fully encloses the blade.
- If the guard and the spring are not operating properly, they must be serviced before use.

Turn off the product immediately if it stalls. Do not switch on the product again after it has stalled. Switching it on again can cause a kickback with high reaction force. Determine why the product has stalled and rectify it, paying heed to the safety instructions.

Remove the battery pack before starting any work on the product.

ADDITIONAL BATTERY SAFETY WARNINGS

⚠ WARNING! To reduce the risk of fire, personal injury, and product damage due to a short circuit, never immerse your tool, battery pack, or charger in fluid or allow fluid to flow inside them. Corrosive or conductive fluids, such as seawater, certain industrial chemicals, and bleach or bleach-containing products, etc., can cause a short circuit.

Do not dispose of used battery packs in the household refuse or by burning them. AEG distributors offer to retrieve old batteries to protect our environment.

Battery packs that have not been used for some time should be recharged before use.

For an optimum lifetime, the battery packs have to be fully charged after use.

For battery pack storage longer than 30 days:

- Store the battery pack where the temperature is below 27 °C and away from moisture.
- Store the battery packs in a 30% - 50% charged condition.
- Every six months of storage, charge the battery pack as normal.

Battery pack protection

The battery pack has overload protection that protects it from being overloaded and helps to ensure long life.

Under extreme stress, the battery electronics turn off the product automatically. To restart, turn the product off and then on again. If the product does not start up again, the battery pack may have discharged completely. Recharge the battery pack.

Transporting lithium batteries

Lithium-ion batteries are subject to the Dangerous Goods Legislation requirements.

Transportation of those batteries has to be done in accordance with local, national, and international provisions and regulations.

- Batteries can be transported by road without further requirement.
- Commercial transport of lithium-ion batteries by third parties is subject to Dangerous Goods regulations. Transport preparation and transport are exclusively to be carried out by appropriately trained persons and the process has to be accompanied by corresponding experts.

When transporting batteries:

- Ensure that the battery contact terminals are protected and insulated to prevent short circuit.
- Ensure that the battery pack is secured against movement within the packaging.
- Do not transport batteries that are cracked or leaking.
- Check with the forwarding company for further advice.

KNOW YOUR PRODUCT

See pages 2-3.

1. Plunge control lever
2. Spindle lock
3. Outer blade washer
4. Blade screw
5. Dust port

6. Wrench
7. Riving knife
8. Saw blade
9. Track clamp
10. Front handle, insulated gripping surface
11. Lock-off button
12. Handle, insulated gripping surface
13. Switch trigger
14. Battery pack
15. Depth of cut button
16. Negative 1° bypass slider
17. Track
18. Track adjustment knob
19. Bevel indicator
20. Bevel 45° bypass lever
21. Bevel lock knob
22. 0° bevel setting screw
23. Parallel set screw
24. 45° bevel setting screw

MAINTENANCE

Avoid using solvents when cleaning plastic parts. Most plastics are susceptible to various types of commercial solvents and may be damaged by their use. Use clean cloths to remove dirt, carbon dust, etc.

Use only AEG accessories and spare parts. Should components that have not been described need to be replaced, contact one of our AEG service agents (see our list of guarantee/service addresses).

If needed, an exploded view of the product can be ordered. State the product type and the serial number printed on the label, and order the drawing at your local service agents or directly at: Techtronic Industries GmbH, Max-Eyth-Straße 10, 71364 Winnenden, Germany.

SYMBOLS



Read the instructions carefully before starting the product.



Direct current



Wear ear protectors.



Wear a suitable dust protection mask.



Wear eye protection.



Wear protective gloves.



Keep hands away from the cutting area and sharp blade.



Do not dispose of waste batteries, waste electrical and electronic equipment as unsorted municipal waste.

Waste batteries and waste electrical and electronic equipment must be collected separately.

Waste batteries, waste accumulators, and light sources have to be removed from the equipment.

Check with your local authority or retailer for recycling advice and collection point.

According to local regulations, retailers may have an obligation to take back waste batteries and waste electrical and electronic equipment free of charge.

Your contribution to the reuse and recycling of waste batteries and waste electrical and electronic equipment helps to reduce the demand of raw materials.

Waste batteries, in particular containing lithium, and waste electrical and electronic equipment contain valuable and recyclable materials, which can adversely impact the environment and the human health if not disposed of in an environmentally compatible manner.

Delete personal data from waste equipment, if any.

DE ÜBERSETZUNG DER ORIGINALANLEITUNG

BESTIMMUNGSGEMÄSSE VERWENDUNG

Die Schienensäge ist zum Längs- und Querschneiden von Holz oder ähnlichen Materialien bis zu einer maximalen Tiefe von 58,5 mm vorgesehen. Das Produkt kann gerade oder abgeschrägte Schnitte zwischen 0 und 45 Grad ausführen.

Das Produkt muss beim Einsatz in der Hand gehalten werden. Das Gerät darf nicht an einer Werkbank montiert werden. Verwenden Sie das Gerät nicht zum Schneiden von Metall oder Mauerwerk.

Benutzen Sie das Werkzeug nicht für andere Aufgaben, als die genannten bestimmungsgemäßen Verwendungen.

⚠️ WARNUNG! Lesen Sie aufmerksam alle mit diesem Werkzeug gelieferten Warnungen, Anweisungen und Spezifikationen, beziehen Sie sich auf die Illustrationen. Die Nichtbeachtung der weiter unten aufgeführten Anweisungen kann Unfälle wie Brände, Elektroschocks und/oder schwere Körperverletzungen zur Folge haben.

Bewahren Sie alle Sicherheitshinweise und Anleitungen zum späteren Nachschlagen auf.

SICHERHEITSHINWEISE FÜR SCHIENENSÄGE

Schneidverfahren

⚠️ GEFAHR: Halten Sie Hände und Füße vom Schnittbereich und der Klinge fern! Die Hand, die nicht den Hauptgriff des Geräts hält, muss den Zusatzgriff halten oder auf dem Motorgehäuse aufliegen. Dadurch vermeiden Sie das Risiko, dass sich Ihre Hände im Schnittbereich auf dem Weg des Sägeblatts befinden.

Greifen Sie nicht unter das Werkstück! an dieser Stelle bietet die Sägeblattabdeckung keinen Schutz, da sie das Sägeblatt nicht abdeckt.

Stellen Sie die Schnitttiefe entsprechend der Stärke des Werkstücks ein. Die Verzahnung des Sägeblatts darf während des Schnitts nicht vollständig unter dem Teil herausragen.

Halten Sie das Werkstück beim Sägen niemals in der Hand oder auf Ihrem Bein. Befestigen Sie es auf einer stabilen Stütze. Das Werkstück muss korrekt befestigt werden, um Verletzungsrisiken zu vermeiden und zu verhindern, dass sich das Sägeblatt verbiegt oder Sie die Kontrolle über das Gerät verlieren.

Halten Sie das Elektrowerkzeug während des Betriebs an der isolierten Greiffläche, wenn das Schneidwerkzeug versteckte Verkabelung berühren kann. Der Kontakt mit einer spannungsführenden Leitung kann auch metallene Geräteteile unter Spannung setzen und zu einem elektrischen Schlag führen.

Verwenden Sie bei der Ausführung eines parallelen Schnitts stets eine parallele Schnittführung oder eine gerade Leiste. Dies verbessert die Schnittpräzision und verhindert das Risiko, dass sich das Sägeblatt verbiegt.

Verwenden Sie immer Sägeblätter in der richtigen Größe und mit passender Aufnahmebohrung (z. B. rautenförmig oder rund). Sägeblätter, die nicht zu den Montageteilen der Säge passen, laufen unruhig und führen zum Verlust der Kontrolle.

Verwenden Sie niemals defekte oder nicht passende Sägeblattschrauben oder -scheiben. Die Sägeblattschrauben wurden speziell für Ihr Sägemodell entwickelt, um eine optimale Sicherheit und Leistung zu gewährleisten.

Ursachen für Rückschlag und ähnliche Warnungen:

- Rückschlag ist eine plötzliche Reaktion auf ein eingeklemmtes, verklemmtes oder falsch ausgerichtetes Sägeblatt, wodurch die Säge unkontrolliert nach oben aus dem Werkstück in Richtung des Bedieners ausschlagen kann;
- wenn das Sägeblatt durch eine geschlossene Kerbe eingeklemmt oder festgeklemmt wird, bleibt das Sägeblatt stehen und der Motor treibt die Einheit in schneller Geschwindigkeit zum Bediener zurück.
- Wird das Sägeblatt im Sägeschnitt verdreht oder falsch ausgerichtet, können sich die Zähne der hinteren Sägeblattkante in der Oberfläche des Werkstücks verhaken, wodurch sich das Sägeblatt aus dem Sägespalt hinaus bewegt und die Säge in Richtung der Bedienperson zurückspringt.

Der Rückprall ist daher die Folge einer unsachgemäßen Verwendung des Geräts und/oder von falschen Schnittprozeduren oder -bedingungen. Durch die Beachtung einiger Vorsichtsmaßnahmen kann ein Rückprall vermieden werden.

Halten Sie die Säge fest mit Ihren beiden Händen und positionieren Sie Ihre Arme so, dass diese einen eventuellen Rückprall kontrollieren können. Stellen Sie sich beim Arbeiten auf eine Seite der Säge, aber stellen Sie sich nicht in die Verlängerung des Sägeblattweges. Der Rückprall schleudert die Säge plötzlich nach hinten, aber diese Bewegung kann kontrolliert werden, wenn der Bediener sie erwartet und darauf vorbereitet ist.

Wenn sich das Sägeblatt verklemt oder wenn Sie den Schnitt unterbrechen müssen, geben Sie den Ein-/Aus-Schalter frei und halten die Säge im Werkstück, bis das Sägeblatt vollständig zum Stillstand kommt. Versuchen Sie niemals die Säge aus dem Werkstück zu entfernen oder die Säge nach hinten zu ziehen, während das Sägeblatt sich bewegt, sonst kann ein Rückschlag auftreten. Wenn sich das Sägeblatt verklemt, ermitteln Sie die Ursache und ergreifen die erforderlichen Maßnahmen, damit sich dieser Vorfall nicht wiederholen kann.

Wenn die Säge im Werkstück neu gestartet wird, zentrieren Sie das Sägeblatt in der Schnittfuge, damit die Zähne des Sägeblatts nicht in das Material greifen. Wenn ein Sägeblatt blockiert, kann es beim Wiedereinschalten der Säge vom Werkstück ausbrechen oder ausschlagen.

Stützen Sie lange Werkstücke ab, um zu vermeiden, dass sich das Sägeblatt verklemt und ein Rückprallrisiko auftritt. Lange Werkstücke neigen dazu, auf Grund ihres eigenen Gewichts durchzuhängen. Sie können an beiden Seiten des Werkstücks in der Nähe der Sägemarkierung und im Bereich der Enden des Werkstücks Stützen verwenden.

Verwenden Sie keine stumpfen oder beschädigten Sägeblätter. Stumpfe oder nicht ordnungsgemäß montierte Sägeblätter erzeugen einen feinen Sägeschnitt, der zu einer übermäßigen Reibung des Sägeblatts und daher zu höheren Verdrehungs- und Rückprallrisiken führt.

Prüfen Sie vor Beginn eines Schnitts, dass die Knöpfe zur Einstellung der Tiefe und Neigung ordnungsgemäß gesperrt sind. Wenn sich die Einstellungen der Sägeblattposition im Verlauf des Schnitts ändern, kann das Sägeblatt verkleben und einen Rückprall verursachen.

Seien Sie besonders vorsichtig, wenn Sie in bestehenden Wänden oder anderen nicht einsehbaren Bereichen sägen. Das Sägeblatt kann auf verborgene Elemente aufstoßen und dies kann zu einem Rückprall führen.

Schutzfunktion

Prüfen Sie vor jedem Gebrauch, ob die Abdeckung richtig geschlossen ist. Betreiben Sie die Säge nicht, wenn sich die Schutzvorrichtung nicht frei bewegen lässt und das Sägeblatt nicht sofort umschließt. Klemmen oder binden Sie den Schutz niemals so fest, dass die Klinge frei liegt. Wird die Säge versehentlich fallen gelassen, kann sich die Schutzvorrichtung verbiegen. Stellen Sie sicher, dass sich die Schutzvorrichtung frei bewegen kann und die Klinge oder andere Teile bei allen Sägewinkeln und -tiefen nicht berührt.

Überprüfen Sie die Funktion und den Zustand der Rückholfeder der Schutzvorrichtung. Wenn die Sägeblattabdeckung oder die Feder nicht korrekt funktionieren, müssen Sie diese vor der Verwendung Ihrer Säge reparieren oder auswechseln lassen. Die

EN
DE
FR
IT
ES
PT
NL
DA
NO
SV
FI
EL
TR
CS
SK
PL
HU
SL
HR
LV
LT
ET
RU
BG
RO
MK
UK
AR
i

Schutzvorrichtung kann aufgrund von beschädigten Teilen, klebrigen Ablagerungen oder Verschmutzung schwergängig funktionieren.

Stellen Sie sicher, dass sich die Grundplatte der Säge während eines „Tauschnitts“ nicht verschiebt. Eine seitliche Verschiebung der Klinge führt zum Einklemmen und möglicherweise zum Rückschlagen.

Achten Sie immer darauf, dass die Schutzvorrichtung das Sägeblatt bedeckt, bevor Sie die Säge auf der Werkbank oder dem Boden abstellen. Wenn das Sägeblatt nicht korrekt abgedeckt ist, kann es sich im Leerlauf drehen und alle auf der Bahn befindlichen Elemente schneiden. Beachten Sie, dass das Sägeblatt nach dem Ausschalten des Motors für einige Zeit weiter läuft.

Funktion des Spaltmessers

Nutzen Sie das korrekte Sägeblatt für den Spaltkeil. Damit das Spaltmesser funktionieren kann, muss der Körper der Klinge dünner sein als das Spaltmesser, und die Schnittbreite der Klinge muss breiter sein als die Dicke des Spaltmessers.

Stellen Sie das Spaltmesser wie in dieser Bedienungsanleitung beschrieben ein. Falscher Abstand, falsche Positionierung und Ausrichtung können dazu führen, dass das Spaltmesser das Rückschlagen nicht verhindert.

Damit das Spaltmesser funktionieren kann, muss es in das Werkstück eingerastet sein. Der Spaltkeil kann einen Rückschlag bei kurzen Schnitten nicht verhindern.

Betragen Sie die Säge nicht, wenn der Spaltkeil verbogen ist. Sogar eine leichte Störung kann die Schließgeschwindigkeit einer Schutzvorrichtung verlangsamen.

ZUSÄTZLICHE SICHERHEITS- UND ARBEITSANWEISUNGEN

Verwenden Sie niemals ein Schleifblatt.

Stellen Sie sicher, dass das Spaltmesser so eingestellt ist, dass der Abstand zwischen dem Spaltmesser und dem Rand der Klinge nicht mehr als 5 mm beträgt und der Rand der Klinge nicht mehr als 5 mm über die Unterkante des Spaltmessers hinausragt.

Nutzen Sie nur Sägeblattdurchmesser die den Markierungen entsprechen.

Identifizieren Sie das korrekte Sägeblatt für das zu schneidende Material.

Verwenden Sie nur Sägeblätter für eine Geschwindigkeit, die größer oder gleich der auf dem Werkzeug angegebenen Geschwindigkeit ist.

Verwenden Sie nur vom Hersteller empfohlene Sägeblätter, die der EN 847-1 entsprechen, sofern sie für Holz und ähnliche Werkstoffe bestimmt sind.

Tragen Sie eine Staubschutzmaske.

Sichern Sie Ihr Werkstück mit einer Spannvorrichtung. Ungesicherte Werkstücke können schwere Verletzungen und Schäden verursachen.

Eine schmutzige Schutzvorrichtung kann das korrekte Funktionieren des Geräts beeinträchtigen und zu schwerwiegenden Personenschäden führen. Reinigen Sie die Schutzvorrichtungen mit Druckluft, um sicherzustellen, dass sich kein Sägemehl ansammelt. Tragen Sie den korrekten Sicht- und Atemschutz.

Überprüfen Sie, dass der Sägeblattschutz korrekt funktioniert. Befolgen Sie die nachstehenden Schritte, um das korrekte Funktionieren des Sägeblattschutzes zu überprüfen.

- Stellen Sie sicher, dass der Akku aus dem Gerät entnommen wurde.
- Drücken Sie den Ausschalter.
- Nehmen Sie den vorderen Haltegriff und drücken Sie ihn nach unten, um das Sägeblatt zu senken und freizulegen.
- Lassen Sie den vorderen Haltegriff langsam ansteigen, bis sich das Sägeblatt vollständig innerhalb des Schutzes befindet.
- Stellen Sie sicher, dass der Sägeblattschutz das Sägeblatt vollständig umschließt.
- Wenn die Sägeblattabdeckung oder die Feder nicht korrekt funktionieren, müssen Sie diese vor der Verwendung Ihrer Säge reparieren oder auswechseln lassen.

Wenn das Gerät blockiert, schalten Sie es sofort aus. Schalten Sie das Gerät nicht wieder ein, wenn es sich verklemmt hat.

Beim Wiedereinschalten kann es zu einem Rückschlag mit hoher Reaktionskraft kommen. Bestimmen Sie die Ursache des Stillstands des Geräts und beheben Sie das Problem unter Beachtung der Sicherheitshinweise.

Entfernen Sie den Akku bevor Sie an dem Gerät arbeiten.

WEITERE SICHERHEITSHINWEISE ZUM AKKU

⚠️ WARNUNG! Um die durch einen Kurzschluss verursachte Gefahr eines Brandes, von Verletzungen oder Produktbeschädigungen zu vermeiden, tauchen Sie das Werkzeug, den Wechselakku oder das Ladegerät nicht in Flüssigkeiten ein und sorgen Sie dafür, dass keine Flüssigkeiten in die Geräte und Akkus eindringen. Korrosive oder leitfähige Flüssigkeiten, beispielsweise Salzwasser, bestimmte Industriechemikalien und Bleiche oder bleichhaltige Produkte, können einen Kurzschluss verursachen.

Entsorgen Sie benutzte Akkupacks nicht im Hausabfall oder durch Verbrennen. AEG-Vertriebspartner bieten an, alte Akkus zum Schutz unserer Umwelt wieder zurückzunehmen.

Akkus, die seit einiger Zeit nicht benutzt wurden, sollten vor Gebrauch wieder aufgeladen werden.

Für eine optimale Lebensdauer müssen die Akkupacks nach dem Gebrauch voll aufgeladen werden.

Bei einer Lagerung des Akkus für mehr als 30 Tage:

- Lagern Sie den Akku bei einer Temperatur unter 27 °C und vor Feuchtigkeit geschützt.
- Lagern Sie den Akku mit einer Ladung von 30 bis 50 %.
- Laden Sie gelagerte Akkus alle sechs Monate wie gewohnt auf.

Schutz des Akkus

Der Akku verfügt über einen Überladungsschutz, der ihn vor dem Überladen schützt und hilft, eine lange Lebensdauer zu gewährleisten.

Bei extremer Belastung schaltet die Elektronik des Akkus das Gerät automatisch ab. Um das Gerät neu zu starten, schalten Sie es aus und wieder ein. Wenn sich das Gerät nicht wieder einschaltet, ist der Akku möglicherweise vollständig entladen. Laden Sie den Akku auf.

Transport von Lithium-Ionen-Akkus

Der Lithium-Ionen Akku unterliegt der Gesetzgebung für gefährliche Waren.

Der Transport dieser Akkus muss in Übereinstimmung mit den örtlichen, nationalen und internationalen Bestimmungen und Vorschriften erfolgen.

- Akkus können ohne weitere Anforderungen auf der Straße transportiert werden.
- Der kommerzielle Transport von Lithium-Ionen-Akkus durch Dritte unterliegt den Gefahrgutvorschriften. Die Transportvorbereitungen und der Transport dürfen ausschließlich von angemessen ausgebildeten Personen durchgeführt werden, und der Vorgang muss von den entsprechenden Experten begleitet werden.

Beim Transport von Akkus:

- Stellen Sie sicher, dass die Akkupole geschützt und isoliert sind, um Kurzschlüsse zu verhindern.
- Vergewissern Sie sich, dass der Akku in der Verpackung gegen Verrutschen und Wackeln gesichert ist.
- Beschädigte oder auslaufende Akkus dürfen nicht transportiert werden.
- Befragen Sie Ihre Transportfirma nach weiteren Informationen.

KENNEN SIE IHR PRODUKT

Siehe Seite 2-3.

1. Eintauchhebel
2. Spindelverriegelungsknopf
3. Äußere Sägeblatt-Unterlegscheibe
4. Blattschraube
5. Anschluss / Staubabsaugung
6. Schraubenschlüssel
7. Spaltmesser
8. Sägeblatt
9. Führungsklemme
10. Vorderer Handgriff, isolierte Grifffläche
11. Einschaltsperrle des Ein-/Aus-Schalters

12. Griff, isolierte Grifffläche
13. Ein-/Ausschalter
14. Akkupack
15. Schnitttiefenregler
16. Minus-1°-Überschreitungsschieber
17. Führung
18. Einstellknopf für die Führungsschiene
19. Neigungswinkel-Anzeige
20. 45°-Schrägstell-Überschreitungshebel
21. Neigungssperrknopf
22. 0°-Schrägstellschraube
23. Parallel-Stellschraube
24. 45°-Schrägstellschraube






WARTUNG UND PFLEGE

Vermeiden Sie die Verwendung von Lösungsmitteln bei der Reinigung von Kunststoffteilen. Die meisten Kunststoffe sind empfindlich gegenüber verschiedenen Arten von handelsüblichen Lösungsmitteln und können durch deren Verwendung beschädigt werden. Verwenden Sie saubere Tücher, um Schmutz, Kohlestaub usw. zu entfernen.

Verwenden Sie nur Zubehör und Ersatzteile von AEG. Sollten Komponenten ersetzt werden müssen, die noch nicht beschrieben wurden, wenden Sie sich bitte an einen unserer AEG-Kundendienstmitarbeiter (siehe unsere Liste der Garantie-/Service-Adressen).

Bei Bedarf kann eine Einzelteildarstellung des Geräts bestellt werden. Geben Sie die Art des Geräts und die auf dem Etikett aufgedruckte Seriennummer an und bestellen Sie die Zeichnung beim Serviceanbieter vor Ort oder direkt bei: Techtronic Industries GmbH, Max-Eyth-Straße 10, 71364 Winnenden, Germany.

SYMBOLE

	Lesen Sie die Anleitung aufmerksam durch, bevor Sie das Gerät verwenden.
	Gleichstrom
	Tragen Sie Gehörschutz.
	Tragen Sie eine angemessene Staubschutzmaske.
	Tragen Sie einen Augenschutz
	Tragen Sie Schutzhandschuhe.
	Halten Sie die Hände vom Schneidbereich und dem scharfen Sägeblatt fern.
	Entsorgen Sie Altbatterien, Elektro- und Elektronikaltgeräte nicht als unsortierten Siedlungsabfall.
	Altbatterien und Elektro- und Elektronikaltgeräte müssen getrennt gesammelt werden.
	Altbatterien, Akkumulatoren und Lichtquellen müssen aus den Geräten entfernt werden.
	Informieren Sie sich bei den örtlichen Behörden oder bei Ihrem Einzelhändler über Recyclingoptionen und die Entsorgungseinrichtung.
	Je nach den örtlichen Vorschriften kann der Einzelhandel verpflichtet sein, Altbatterien und Elektro- und Elektronik-Altgeräte unentgeltlich zurückzunehmen.

Ihr Beitrag zur Wiederverwendung und zum Recycling von Altbatterien und Elektro- und Elektronikaltgeräten trägt dazu bei, den Bedarf an Rohstoffen zu verringern.

Altbatterien, insbesondere lithiumhaltige Batterien, und Elektro- und Elektronik-Altgeräte enthalten wertvolle, wiederverwertbare Materialien, die sich negativ auf die Umwelt und die menschliche Gesundheit auswirken können, wenn sie nicht auf umweltverträgliche Weise entsorgt werden.

Löschen Sie ggf. personenbezogene Daten aus Altgeräten.

FR TRADUCTION DE LA NOTICE ORIGINALE

UTILISATION CONFORME AUX PRESCRIPTIONS

La scie circulaire à guide est destinée à la découpe longitudinale et transversale du bois ou de matériaux similaires jusqu'à une profondeur maximale de 58,5 mm. Le produit peut faire des coupes droites ou biseautées entre 0 et 45 degrés.

Ce produit est conçu pour une utilisation à la main. Le produit n'est pas destiné à être monté sur un établi. N'utilisez pas le produit pour couper du métal ou de la maçonnerie.

Ne vous servez pas de ce produit pour d'autres utilisations que celles décrites au chapitre des utilisations prévues.

⚠ AVERTISSEMENT! Lisez l'ensemble des avertissements, instructions, illustrations et spécifications relatifs à la sécurité fournis avec ce produit. Le non-respect des instructions présentées ci-après peut entraîner des accidents tels que des incendies, des décharges électriques et/ou des blessures corporelles graves.

Conservez toutes les mises en garde et instructions à des fins de référence ultérieure.

AVERTISSEMENTS DE SÉCURITÉ RELATIFS AUX SCIES CIRCULAIRES À GUIDE

Procédure de coupe

⚠ DANGER: Éloignez vos mains de la lame et de la zone de coupe. La main qui ne tient pas la poignée principale de l'outil doit tenir la poignée auxiliaire ou bien être posée sur le carter moteur. Ainsi, vos mains ne risqueront pas de se trouver dans la zone de coupe, sur la trajectoire de la lame.

Ne tentez pas d'atteindre le dessous de l'élément à couper. Le protège-lame ne peut pas vous protéger de la lame sous la pièce à couper.

Réglez la profondeur de coupe en fonction de l'épaisseur de la pièce à usiner. Les dents de la lame ne doivent pas dépasser entièrement sous la pièce à usiner lors de la coupe.

Ne jamais tenir la pièce dans les mains ou sur les genoux pendant que la découpe. Fixez-la sur un support stable. Il est primordial de fixer correctement la pièce à usiner pour éviter tout risque de blessures et de ne pas plier la lame afin de ne pas perdre le contrôle de l'outil.

Lorsqu'il existe un risque que l'outil de coupe puisse entrer en contact avec des câbles électriques dissimulés, tenir l'outil électrique uniquement au niveau de ses surfaces de saisie isolées. L'entrée en contact avec un fil électrique «sous tension» pourrait véhiculer cette tension électrique vers les parties métalliques de l'outil et exposer l'opérateur à une décharge électrique.

Utilisez toujours un guide de coupe parallèle ou un tasseau droit lorsque vous effectuez une coupe parallèle. La précision de coupe sera améliorée et vous éviterez les risques de plier la lame.

Utilisez toujours des lames dont la taille et la forme sont adaptées à l'alésage de l'arbre. Les lames qui ne sont pas adaptées au matériel de montage de la scie fonctionneront de façon excentrée, entraînant une perte de contrôle.



EN
FR
DE
IT
ES
PT
NL
DA
NO
SV
FI
EL
TR
CS
SK
PL
HU
SL
HR
LV
LT
ET
RU
BG
RO
MK
UK
AR
i

N'utilisez jamais de vis ni de flasques de lame défectueux ou inadaptes. Les flasques et vis de lame ont été conçus spécialement pour votre modèle de scie, pour une sécurité et une performance optimales.

Avertissements relatifs au rebond et autres risques associés :

- Le rebond est une réaction soudaine au pincement, au blocage ou au mauvais alignement de la lame de la scie. La scie, qui n'est alors plus contrôlée, se dégage de la pièce de travail et « saute » vers l'opérateur.
- Lorsque la lame est pincée ou bloquée par la fermeture de l'entaille, la lame se bloque et la réaction du moteur pousse rapidement l'appareil vers l'opérateur.
- Si la lame se tord ou est mal alignée, les dents situées à l'arrière de la lame risquent de s'enfoncer dans la surface du bois, ce qui fera sortir brusquement la lame de la pièce à usiner en direction de l'utilisateur.

Le rebond est donc le résultat d'une mauvaise utilisation de l'outil et/ou de procédures ou de conditions de coupe incorrectes. Il peut être évité en veillant à respecter quelques précautions.

Maintenez fermement la scie avec vos deux mains et positionnez vos bras de façon à ce qu'ils puissent contrôler un éventuel rebond. Positionnez-vous d'un côté de la scie lorsque vous travaillez mais ne vous placez jamais dans l'alignement de la lame. Le rebond projette soudainement la scie vers l'arrière, mais ce mouvement peut être contrôlé si l'utilisateur s'y attend et s'y prépare.

Si la lame se coince, ou si vous devez interrompre la coupe pour une raison quelconque, relâchez la gâchette et maintenez la scie dans la pièce à usiner jusqu'à ce que la lame s'arrête complètement de tourner. Ne tentez jamais d'enlever la scie de l'élément à couper ou de la faire reculer tant que le disque continue de tourner, sous peine de provoquer un rebond. Si la lame se coince, cherchez-en la cause et prenez les mesures nécessaires pour que cela ne se reproduise plus.

Au moment de redémarrer la scie dans la pièce de travail, centrez la lame dans l'entaille afin que les dents de la scie ne soient pas engagées dans le matériau. Si la lame de la scie est bloquée, celle-ci peut rebondir ou reculer de la pièce de travail lorsque la scie est remise en marche.

Veillez à soutenir les longues pièces à usiner afin d'éviter que la lame se coince et limite ainsi les risques de rebonds. Les longues pièces à usiner ont tendance à ployer sous leur propre poids. Vous pouvez placer des supports des deux côtés de la pièce à usiner, près de la ligne de coupe et au niveau de l'extrémité de la pièce.

N'utilisez pas de lames émoussées ou endommagées. Des lames non aiguisées ou mal montées produiront un trait de scie fin entraînant une friction excessive de la lame et donc de plus grands risques de torsion et de rebond.

Avant de commencer une coupe, vérifiez que les boutons de réglage de la profondeur et de l'inclinaison sont correctement bloqués. Si les réglages de la position de la lame se modifient en cours de coupe, la lame risque de se coincer et un rebond peut se produire.

Soyez particulièrement attentif lorsque vous effectuez une coupe dans un mur existant ou autre zones aveugle. La lame pourrait heurter des éléments cachés, ce qui entraînerait un rebond.

Fonction de protection

Avant chaque utilisation, vérifiez que la protection ferme correctement. N'utilisez pas la scie si la protection ne bouge pas librement et n'entoure pas instantanément la lame. Ne jamais fixer ou accrocher la protection de façon à exposer la lame. Si la scie tombe accidentellement, la protection peut être pliée. Vérifiez que la protection se déplace librement et ne touche pas la lame ou toute autre pièce, dans tous les angles et toutes les profondeurs de coupe.

Vérifier le bon fonctionnement et l'état du ressort de retour de la protection. Si le protège-lame ou le ressort ne fonctionnent pas correctement, faites-les réparer ou remplacer avant d'utiliser votre scie. La protection peut fonctionner lentement en raison de pièces endommagées, de dépôts gommeux ou d'une accumulation de débris.

Assurez-vous que la plaque de base de la scie ne bouge pas lors de l'exécution d'une « coupe plongeante ». Un décalage latéral de la lame entraîne un grippage et un probable rebond.

Vérifiez toujours que la protection recouvre la lame avant de placer la scie sur un établi ou sur le sol. Si la lame n'est pas correctement recouverte, elle peut tourner par inertie et couper ce qui se trouve sur sa trajectoire. Soyez conscient du fait que la lame continue de tourner pendant un certain temps après l'arrêt du moteur.

Fonction de couteau diviseur

Utiliser la lame de scie adaptée au couteau diviseur. Pour que le couteau diviseur puisse fonctionner, le corps de la lame doit être plus fin que celui du couteau diviseur, et la largeur de coupe de la lame doit être supérieure à l'épaisseur du couteau diviseur.

Ajuster le couteau diviseur, tel que décrit dans ce manuel d'instruction. Un écartement, un positionnement et un alignement incorrects peuvent affecter l'efficacité du couteau diviseur en matière de prévention du rebond.

Pour que le couteau diviseur puisse fonctionner, il doit être engagé dans la pièce de travail. Le couteau diviseur est inefficace pour empêcher le rebond lors des découpes courtes.

N'utilisez pas la scie si le couteau diviseur est plié. Toute interférence, aussi infime soit-elle, peut ralentir la vitesse de fermeture d'une protection.

INSTRUCTIONS DE FONCTIONNEMENT ET DE SÉCURITÉ SUPPLÉMENTAIRES

N'utilisez jamais de disque abrasif.

S'assurer que le couteau diviseur est ajusté, que la distance entre le couteau diviseur et le tranchant de la lame ne dépasse pas les 5 mm, et que le tranchant de la lame ne s'étend pas à plus de 5 mm au-delà du bord inférieur du couteau diviseur.

Utiliser uniquement des lames dont le diamètre correspond aux marquages.

Identifier la lame de scie adaptée au matériau à couper.

Utiliser uniquement des lames de scie spécifiées pour une vitesse supérieure ou égale à celle indiquée sur l'outil.

Utiliser uniquement les lames de scie recommandées par le fabricant, conformes à la norme EN 847-1, pour une utilisation avec du bois et des matériaux analogues.

Portez un masque anti poussières.

Sécurisez la pièce à couper à l'aide d'un dispositif de serrage. Une pièce à travailler non-fixée peut être la cause de blessures graves et de dommages.

Des protections de lame sales peuvent limiter le fonctionnement du produit, causant de graves blessures. Nettoyez les protections des lames avec de l'air comprimé pour éviter toute accumulation de poussière de sciage. Portez les protections respiratoires et oculaires adéquates.

Vérifier et s'assurer que la protection de lame fonctionne correctement. Suivre la procédure ci-dessous pour vérifier le bon fonctionnement de la protection de la lame.

- S'assurer que la batterie est retirée du produit.
- Appuyer sur le bouton de verrouillage.
- Saisir la poignée avant et exercer une pression vers le bas de façon à abaisser et exposer la lame.
- Laisser doucement la poignée avant s'élever jusqu'à ce que la lame soit complètement à l'intérieur de la protection.
- S'assurer que la protection de la lame entoure complètement la lame.
- Si le protège-lame ou le ressort ne fonctionnent pas correctement, faites-les réparer ou remplacer avant d'utiliser votre scie.

Arrêter immédiatement le produit s'il cale. Ne pas rallumer le produit une fois qu'il a calé. La rallumer peut provoquer un rebond avec une force de réaction élevée. Identifier la raison du blocage du produit et corriger le problème, en tenant compte des instructions de sécurité.

Retirez le bloc de batterie avant de commencer un quelconque travail sur le produit.

MISES EN GARDE DE SÉCURITÉ SUPPLÉMENTAIRES CONCERNANT LA BATTERIE

⚠ AVERTISSEMENT! Pour réduire le risque d'incendie, de blessures corporelles et de dommages causés par un court-circuit, n'immergez jamais l'outil, la batterie ou le chargeur dans un liquide et ne laissez jamais couler un fluide à l'intérieur de celui-ci. Les liquides corrosifs ou conducteurs, comme l'eau de mer, certains produits chimiques industriels, l'eau de Javel ou les produits contenant de l'eau de Javel, etc., peuvent provoquer des courts-circuits.

Ne jetez pas les blocs de batterie usagés avec les ordures ménagères et ne les jetez pas au feu. Les distributeurs AEG proposent de reprendre les anciennes batteries afin de préserver l'environnement.

Les packs de batterie n'ayant pas été utilisés depuis un moment doivent être rechargés avant emploi.

Pour une durée de vie optimale, la batterie doit être complètement rechargée après usage.

Pour le stockage du pack de batterie pendant plus de 30 jours :

- Entreposer le pack de batterie dans un endroit où la température est inférieure à 27 °C et à l'abri de l'humidité.
- Entreposer les packs de batterie dans un état de charge de 30 % à 50 %.
- Chargez le bloc-batterie normalement après six mois d'entreposage.

Protection du pack de batterie

Le pack de batterie est doté d'une protection contre les surcharges qui le protège contre les surcharges et contribue à garantir une longue durée de vie.

En cas de sollicitation extrême, l'électronique de la batterie éteint automatiquement le produit. Pour redémarrer, arrêtez l'appareil, puis remettez-le en marche. Si le produit ne redémarre pas, il se peut que le pack de batterie soit complètement déchargé. Recharger le bloc-batteries.

Transport des batteries au lithium

La batterie lithium ion est susceptible d'être concernée par la législation concernant les marchandises dangereuses.

Le transport de ces batteries doit être réalisé conformément aux dispositions et réglementations en vigueur au niveau local, national et international.

- Les batteries sont aptes à un transport routier sans exigences supplémentaires.
- Le transport commercial des batteries au lithium-ion par des tierces parties est soumis aux réglementations relatives aux marchandises dangereuses. Les préparatifs du transport et le transport doivent être effectués exclusivement par des personnes ayant reçu une formation adéquate, et le processus doit être accompagné par les experts correspondants.

Lors du transport des batteries :

- Assurez-vous que les bornes des batteries sont protégées et isolées afin d'empêcher tout court-circuit.
- Veiller à la bonne fixation du pack de batterie pour éviter tout mouvement dans l'emballage.
- Ne transportez pas une batterie qui serait fendue ou qui fuirait.
- Demandez conseil au transporteur pour de plus amples informations.

MAÎTRISEZ VOTRE PRODUIT

Voir la page 2-3.

1. Levier de commande de plongée
2. Verrouillage de l'axe
3. Rondelle de lame extérieure
4. Vis de la lame
5. Orifice à poussière
6. Clé
7. Couteau diviseur
8. Lame de scie
9. Collier de guidage
10. Poignée avant, surface de préhension isolée
11. Bouton de verrouillage
12. Poignée, surface de préhension isolée

13. Déclencheur
14. Bloc de batterie
15. Bouton de profondeur de coupe
16. Curseur de dérivation négatif de 1°
17. Voie
18. Bouton de réglage de trajectoire
19. Indicateur de biseau
20. Levier de dérivation du biseau à 45°
21. Bouton de verrouillage de biseau
22. Vis de réglage du biseau à 0°
23. Vis de réglage parallèle
24. Vis de réglage du biseau à 45°









ENTRETIEN

Évitez d'utiliser des solvants pour nettoyer les pièces en plastique. La plupart des plastiques sont sensibles à différents types de solvants disponibles dans le commerce et peuvent être endommagés en cas d'utilisation. Utilisez des chiffons propres pour éliminer la saleté, la poussière de charbon, etc.

Utiliser uniquement des accessoires AEG et des pièces de rechange AEG. Si vous devez remplacer des composants qui n'ont pas été décrits, veuillez contacter un de nos agents de service AEG (consultez notre liste de contact pour les services et la garantie).

Au besoin, une vue éclatée du produit peut être commandée. Mentionnez le type du produit et le numéro de série imprimé sur l'étiquette, et commandez le schéma auprès de votre agent de service local ou directement au : Techtronic Industries GmbH, Max-Eyth-Straße 10, 71364 Winnenden, Germany.

SYMBOLES

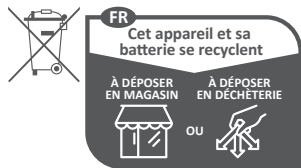
	Veuillez lire attentivement les instructions avant d'utiliser le produit.
	Courant continu
	Portez une protection acoustique.
	Porter un masque anti-poussière adapté.
	Porter une protection oculaire.
	Portez des gants de protection.
	Ne pas approcher les mains de la zone de coupe et de la lame tranchante.
	Ne jetez pas les batteries et les équipements électriques et électroniques usagés parmi les déchets municipaux non triés.
	Les batteries et les équipements électriques et électroniques usagés doivent être collectés séparément.
	Les batteries, accumulateurs et sources lumineuses usagés doivent être retirés de l'équipement.
	Pour obtenir des conseils en matière de recyclage et de points de collecte, se renseigner auprès des autorités locales ou du détaillant.
	Selon les réglementations locales, les détaillants peuvent avoir l'obligation de récupérer gratuitement les batteries et les équipements électriques et électroniques usagés.

	EN
	DE
	FR
	IT
	ES
	PT
	NL
	DA
	NO
	SV
	FI
	EL
	TR
	CS
	SK
	PL
	HU
	SL
	HR
	LV
	LT
	ET
	RU
	BG
	RO
	MK
	UK
	AR
	

Votre contribution à la réutilisation et au recyclage des batteries et des équipements électriques et électroniques usagés contribue à réduire la demande en matières premières.

Les batteries, notamment celles qui contiennent du lithium, ainsi que les équipements électriques et électroniques usagés contiennent des matériaux précieux et recyclables, qui peuvent avoir un impact négatif sur l'environnement et la santé humaine s'ils ne sont pas éliminés de manière respectueuse de l'environnement.

Supprimer les données personnelles de l'équipement usagé, le cas échéant.



Points de collecte sur www.quefairedemesdechets.fr

possibile migliorare la precisione di taglio ed evitare di piegare la lama.

Utilizzare sempre lame di dimensioni e forma idonee all'alesaggio dell'albero. Le lame che non corrispondono all'attrezzo di montaggio della lama usciranno dal centro, causando perdita di controllo.

Non utilizzare mai viti né flange di lama difettose o inadeguate. Le flange e le viti della lama sono state studiate appositamente per questo modello di sega, a garanzia di un livello di sicurezza e prestazioni ottimale.

Cause del rimbalzo e avvertenze correlate:

- Il rinculo è una reazione improvvisa a una sega schiacciata, bloccata o non correttamente allineata, che provoca un sollevamento o uno spostamento del pezzo di lavoro verso l'operatore;
- quando la lama viene schiacciata o bloccata in seguito all'intasamento del solco, la lama si blocca e la reazione del motore porta l'unità rapidamente indietro verso l'operatore;
- Se la lama si piega o è erroneamente allineata, i denti situati nella sua parte posteriore rischiano di penetrare nella superficie del legno, facendo uscire bruscamente la lama dal pezzo da lavorare, in direzione dell'operatore.

Il contraccolpo è pertanto il risultato di un utilizzo errato dell'apparecchio e/o di procedimenti o di condizioni di taglio inappropriati. Questa evenienza può essere evitata assicurandosi di adottare alcune misure precauzionali.

Tenere saldamente la sega con entrambe le mani e posizionare le braccia in modo tale che possano controllare un eventuale contraccolpo. Durante l'esecuzione del lavoro, collocarsi su un lato della sega: non rimanere mai lungo l'asse della lama. Il contraccolpo fa sì che la sega venga scagliata improvvisamente all'indietro, ma questo movimento può essere tenuto sotto controllo se l'operatore lo prevede e si prepara all'evenienza.

Qualora la lama si incastri o si debba interrompere il taglio per un motivo qualsiasi, rilasciare il grilletto e mantenere la sega nel pezzo da lavorare, sino a quando la lama non cessa completamente di girare. Non tentare di rimuoverla la motosega dal pezzo sul quale si sta lavorando o di ritirarla mentre la lama è in funzione, in caso contrario si verificherà un rimbalzo. Se la lama si incastra, individuarne la causa e adottare le misure necessarie affinché ciò non si verifichi più.

Quando si riavvia la lama nel pezzo da lavorare, centrare la lama della sega nel solco in modo che i denti della lama non siano agganciati nel materiale. Se la lama si incastra, potrebbe avvicinarsi o rincarare dal pezzo di lavoro una volta avviata.

Non dimenticare di sorreggere i pezzi lunghi, onde evitare che la lama si incastri e limitare pertanto i rischi di contraccolpo. I pezzi lunghi tendono infatti a flettersi sotto il loro stesso peso. È possibile sistemare appositi supporti su entrambi i lati del pezzo, accanto alla linea di taglio e a livello dell'estremità del pezzo.

Non utilizzare lame smussate o danneggiate. Una lama non affilata o montata erroneamente genera un taglio sottile, che dà luogo ad un attrito eccessivo della lama e pertanto a maggiori rischi di torsione e di contraccolpo.

Prima di iniziare un'operazione di taglio, assicurarsi che le manopole di regolazione della profondità e dell'inclinazione siano adeguatamente bloccate. Se le regolazioni della posizione della lama si modificano durante il taglio, la lama rischia infatti di incastrarsi e può verificarsi un contraccolpo.

Fare ulteriore attenzione quando si svolgono operazioni di taglio in muri già esistenti o altre aree cieche. La lama potrebbe urtare elementi nascosti, con conseguente pericolo di contraccolpo.

Funzione di protezione

Controllare la protezione per una corretta chiusura dopo ogni uso. Non azionare la sega se la protezione non si muove liberamente e se non racchiude immediatamente la lama. Non stringere o legare mai la protezione in modo che la lama sia esposta. In caso di caduta accidentale della sega, la protezione potrebbe piegarsi. Verificare che la protezione si muova liberamente e non tocchi la lama o qualsiasi altra parte a tutte le angolazioni e profondità di taglio.

Controllare il funzionamento e la condizione della molla di ritorno della protezione. Se il paralama o la molla non

IT TRADUZIONE DELLE ISTRUZIONI ORIGINALI

UTILIZZO RACCOMANDATO

La sega a binario è destinata al taglio longitudinale e al taglio trasversale di legno o materiali simili fino a una profondità massima di 58,5 mm. Il prodotto può eseguire tagli dritti o smussati tra 0 e 45 gradi.

Il prodotto è progettato per un uso portatile. Il prodotto non deve essere montato su un banco. Non utilizzare il prodotto per tagliare metallo o muratura.

Non utilizzare il prodotto in modi diversi da quelli indicati.

AVVERTENZA! Leggere tutte le istruzioni e avvertenze di sicurezza, le illustrazioni e le specifiche fornite con questo prodotto. La mancata osservanza delle istruzioni riportate di seguito potrebbe provocare incidenti quali incendi, scosse elettriche e/o gravi lesioni fisiche.

Conservare tutte le avvertenze e le istruzioni come riferimento futuro.

AVVERTENZE DI SICUREZZA PER LA SEGA A BINARIO

Procedure di taglio

PERICOLO: Tenere le mani lontane dall'area di taglio e dalla lama. La mano che non tiene l'impugnatura principale dell'apparecchio deve tenere l'impugnatura ausiliaria oppure essere posata sul carter del motore. In questo modo, le mani non rischieranno di trovarsi nella zona di taglio, sulla traiettoria della lama.

Non protendersi sotto il pezzo sul quale si sta lavorando. In questo punto, il paralama non è in grado di proteggerle, in quanto non ricopre la lama.

Regolare la profondità di taglio in funzione dello spessore del pezzo da lavorare. Al momento del taglio, i denti della lama non devono sporgere interamente sotto il pezzo da lavorare.

Non mantenere mai il pezzo con le mani o tra le gambe durante il taglio. Fissarlo su un supporto stabile. Si raccomanda di fissare correttamente il pezzo da lavorare, in modo tale da evitare eventuali rischi di lesioni e di non piegare la lama per non perdere il controllo dell'apparecchio.

Tenere l'elettrotensile solo tramite le superfici antiscivolo isolate, durante l'esecuzione dell'operazione in cui lo strumento di taglio potrebbe toccare il cavo nascosto. Il contatto con un cavo "vivo" renderà "vive" anche le parti esposte in metallo dell'elettrotensile e potrebbe causare scosse elettriche.

Nell'effettuare un taglio parallelo, utilizzare sempre una guida di taglio parallela o un listello diritto. In questo modo, sarà

funzionano correttamente, farli riparare o sostituire prima di utilizzare la sega. Se vi sono parti danneggiate, depositi di sporcizia o accumuli di detriti, la protezione potrebbe funzionare a rilente.

Assicurarsi che la piastra di base della sega non si sposti mentre si esegue un "taglio di punta". Lo spostamento della lama lateralmente provocherà l'inceppamento e probabilmente il rinculo.

Assicurarsi sempre che la protezione copra la lama prima di posizionare la sega sul piano di lavoro o sul pavimento. Se la lama non è coperta correttamente, può ruotare per inerzia e tagliare ciò che si trova sulla propria traiettoria. Non dimenticare mai che la lama continua a girare ancora per qualche tempo dopo l'arresto del motore.

Funzione di cuneo

Utilizzare la lama appropriata per il cuneo. Per la funzione di cuneo, il corpo della lama deve essere più sottile del cuneo e la profondità di taglio della lama più ampia dello spessore del cuneo.

Regolare il cuneo come descritto nel manuale di istruzioni. Un distanziamento, posizionamento e allineamento non corretti possono rendere il cuneo inefficace nella prevenzione del rinculo.

Per far funzionare il cuneo, questo deve essere agganciato nel pezzo di lavoro. Il coltello separatore non previene in modo efficace il kickback durante i tagli brevi.

Non azionare la sega il coltello separatore è piegato. Anche una lieve interferenza può ridurre la velocità di chiusura di una protezione.

ISTRUZIONI OPERATIVE E DI SICUREZZA AGGIUNTIVE

Non utilizzare mai dischi abrasivi.

Assicurarsi che il cuneo sia regolato in modo che la distanza tra il cuneo e il perimetro della lama non superi i 5 mm e che il perimetro della lama non vada oltre i 5 mm oltre il bordo esterno del cuneo.

Utilizzare diametri di lama in base alle marcature.

Identificare la lama per sega corretta da utilizzare per il materiale da tagliare.

Utilizzare solo le lame per sega che sono indicate con una velocità pari o superiore a quella sullo strumento.

Utilizzare solo le lame per sega consigliate dal produttore, conformi alla EN 847-1, se pensate per il legno o materiali simili.

Indossare una maschera per la polvere.

Agganciare il pezzo sul quale si sta lavorando con un morsetto. Pezzi non assicurati correttamente potranno causare gravi lesioni e danni.

Le protezioni sporche della lama potrebbero limitare il funzionamento del prodotto, provocando gravi lesioni personali. Pulire le protezioni della lama con aria compressa per garantire che non ci siano accumuli di polvere sulla lama. Indossare una protezione oculare e una respiratoria.

Accertarsi che la protezione della lama funzioni correttamente. Seguire i passaggi in basso per verificare che la protezione della lama funzioni correttamente.

- Assicurarsi che la batteria sia rimossa dal prodotto.
- Premere il pulsante di blocco.
- Afferrare il manico anteriore e applicare la pressione verso il basso per abbassare ed far uscire la lama.
- Lasciare che il manico anteriore lentamente salga verso l'alto fino a quando non avrà raggiunto completamente l'interno della protezione.
- Assicurarsi che la protezione della lama racchiuda completamente la lama.
- Se il paralama o la molla non funzionano correttamente, farli riparare o sostituire prima di utilizzare la sega.

Spegnere immediatamente il prodotto se si blocca. Non accendere di nuovo il prodotto dopo che si è bloccato. Accenderlo di nuovo può provocare un contraccolpo eccessivo. Determinare la causa dello stallio e correggerla, prestando attenzione alle istruzioni di sicurezza.

Rimuovere il pacco batteria prima di iniziare qualsiasi lavoro sul prodotto.

AVVERTENZE AGGIUNTIVE PER LA SICUREZZA DELLA BATTERIA

⚠ AVVERTENZA! Per ridurre il rischio di incendio, lesioni personali e danni al prodotto dovuti a corto circuito, non immergere mai il pacco batteria o il caricabatterie in liquidi, né favorire la penetrazione di liquidi al loro interno. I fluidi corrosivi o conduttivi, come l'acqua marina, certi prodotti chimici industriali e la candeggina o i prodotti che la contengono ecc. possono causare un corto circuito.

Non smaltire i gruppi batteria utilizzati tra i rifiuti domestici né bruciarli. I distributori AEG offrono la raccolta delle batterie usate per proteggere l'ambiente.

Le batterie che non sono state usate per qualche tempo devono essere ricaricate prima dell'uso.

Per una durata ottimale le batterie devono essere caricate completamente dopo l'uso.

Per una conservazione dei pacchi batteria superiore a 30 giorni:

- Conservare il pacco batteria dove la temperatura è inferiore a 27 °C e lontano dall'umidità.
- Conservare i pacchi batteria in una condizione di carica al 30%-50%.
- Durante lo stoccaggio, caricare normalmente il pacco batteria ogni sei mesi.

Protezione pacco batteria

Il pacco batteria ha una protezione da sovraccarico e garantisce una lunga durata.

In condizioni di stress estremo, i componenti elettronici della batteria spengono i prodotti automaticamente. Per riavviarlo, spegnerlo e riaccenderlo. Se il prodotto non si riavvia, il pacco batteria deve essere completamente scaricato. Ricaricare il pacco batteria.

Trasporto batterie al litio

La batteria agli ioni di litio è soggetta a legislazione sui materiali pericolosi.

Il trasporto delle batterie deve avvenire nel rispetto delle disposizioni e delle normative locali, nazionali e internazionali.

- Le batterie possono essere trasportate per strada senza ulteriori requisiti.
- Il trasporto commerciale delle batterie agli ioni di litio da parte di terzi è soggetto ai regolamenti sulle merci pericolose. La preparazione per il trasporto e il trasporto sono esclusivamente da portare a termine da persone che abbiano ricevuto adeguate istruzioni in materia e il procedimento deve essere accompagnato da esperti in materia.

Durante il trasporto delle batterie:

- Assicurarsi che i terminali dei contatti della batteria siano protetti e isolati per prevenire corto circuiti.
- Assicurarsi che la batteria sia fissata per evitarne il movimento dentro l'imballaggio.
- Non trasportare batterie rotte o che perdono liquidi.
- Rivolgersi alla ditta distributrice per ulteriori consigli.

FAMILIARIZZARE CON IL PRODOTTO

Vedere la pagina 2-3.

1. Leva di comando del taglio di punta
2. Blocco del mandrino
3. Rondella della lama esterna
4. Vite della lama
5. Porta polvere
6. Chiave
7. Cuneo
8. Lama
9. Morsetto guida
10. Manico anteriore con superficie isolata antiscivolo
11. Pulsante di blocco
12. Impugnatura con superficie isolata antiscivolo
13. Interruttore a grilletto
14. Pacco batteria
15. Profondità del pulsante di taglio
16. Corsore di bypass 1° negativo
17. Guida
18. Manopola di regolazione del binario
19. Indicatore di smusso



EN
FR
DE
IT
ES
PT
NL
DA
NO
SV
FI
EL
TR
CS
SK
PL
HU
SL
HR
LV
LT
ET
RU
BG
RO
MK
UK
AR



20. Leva di bypass 45° smussatura
21. Pomello di blocco dello smusso
22. Vite di regolazione smussatura 0°
23. Vite di regolazione parallela
24. Vite di regolazione smussatura 45°

MANUTENZIONE

Evitare di usare solventi quando si puliscono pezzi di plastica. La maggior parte delle plastiche sono suscettibili a vari tipi di solventi commerciali e potrebbero danneggiarsi con l'uso. Utilizzare panni puliti per rimuovere sporco, polvere al carbone, ecc.

Usare solo accessori e parti di ricambio AEG. In caso di sostituzione di componenti che non sono stati descritti, rivolgersi a uno degli agenti di assistenza AEG (consultare la lista degli indirizzi per garanzia/assistenza).

Se necessario si può ordinare una vista esplosa del prodotto. Indicare il tipo di prodotto e il numero di serie stampato sull'etichetta e ordinare il disegno presso l'agente di assistenza locale oppure direttamente a: Techtronic Industries GmbH, Max-Eyth-Straße 10, 71364 Winnenden, Germany.

SIMBOLI

	Leggere attentamente le istruzioni prima di utilizzare il prodotto.
	Corrente diretta
	Indossare protezioni acustiche adeguate.
	Indossare una maschera antipolvere adeguata.
	Indossare una protezione oculare.
	Indossare guanti protettivi.
	Tenere le mani lontano dall'area di taglio e dalla lama affilata.
	Non smaltire le batterie scariche e altre apparecchiature elettriche ed elettroniche come normali rifiuti. Le batterie scariche e i dispositivi elettrici ed elettronici dovranno essere raccolti separatamente. Le batterie usate, gli accumulatori e le fonti luminose non più utilizzabili dovranno essere rimossi dall'apparecchiatura. Consultare l'autorità locale o il rivenditore per consigli sullo smaltimento e il punto di raccolta. In base alle normative locali i rivenditori potrebbero avere l'obbligo di riprendersi le batterie usate e le apparecchiature elettriche ed elettroniche gratuitamente. Il vostro contributo al riutilizzo e al riciclo delle batterie usate e dei dispositivi elettrici ed elettronici aiuta a ridurre la richiesta di materie prime. Le batterie usate, in particolare quelle che contengono litio e le apparecchiature elettriche ed elettroniche contengono materiali preziosi e riciclabili che potrebbero avere un impatto avverso sull'ambiente e la salute umana, se non smaltiti in un modo ecocompatibile. Eliminare i dati personali, se presenti, dalle apparecchiature da buttare.

ES TRADUCCIÓN DEL MANUAL ORIGINAL

APLICACIÓN DE ACUERDO A LA FINALIDAD

La sierra con guía está diseñada para cortar al hilo o transversalmente madera o materiales similares con una profundidad máxima de hasta 58,5 mm. El producto permite realizar cortes rectos o biselados a 0 o 45 grados.

El producto está diseñado para su uso manual. El producto no se debe montar en un banco de trabajo. No utilice el producto para cortar metal o mampostería.

Utilice el producto exclusivamente para el uso para el que fue diseñado.

⚠ ¡ADVERTENCIA! Lea atentamente todas las advertencias, instrucciones y especificaciones suministradas con la herramienta, y consulte las ilustraciones. El incumplimiento de las instrucciones que se indican a continuación puede ocasionar diversos accidentes como incendios, descargas eléctricas y/o graves heridas corporales.

Guarde todas las advertencias e instrucciones para futuras consultas.

ADVERTENCIAS DE SEGURIDAD DE LA SIERRA CON GUÍA

Procedimientos de corte

⚠ PELIGRO: Mantenga las manos alejadas del área de corte y de la cuchilla. La mano que no sujeta la empuñadura principal de la máquina debe sostener la empuñadura auxiliar o bien estar apoyada en el cárter del motor. De este modo, sus manos no estarán en la zona de corte, en la trayectoria de la hoja.

No intente alcanzar la parte de debajo de la pieza de trabajo. El protector de hoja no le protege ya que no recubre la hoja por debajo de la pieza.

Ajuste la profundidad de corte en función del grosor de la pieza trabajada. Los dientes de la hoja no deben sobresalir completamente por debajo de la pieza trabajada durante el corte.

No sujete nunca la pieza de trabajo con las manos ni con las piernas mientras realice el corte. Fijela en un soporte estable. Es fundamental fijar correctamente la pieza trabajada para evitar el riesgo de heridas y no doblar la hoja o perder el control de la máquina.

La herramienta eléctrica se debe sujetar por las superficies de agarre aisladas cuando se lleve a cabo cualquier operación en la que la herramienta de corte pueda entrar en contacto con cables eléctricos ocultos. El contacto con un cable con corriente hará que las partes metálicas de la herramienta eléctrica se carguen y puede provocar una descarga eléctrica al operario.

Utilice siempre una guía de corte paralela o un listón recto cuando efectúe un corte paralelo. Obtendrá una mayor precisión de corte y evitará doblar la hoja.

Utilice hojas de tamaño y forma adecuados al diámetro interior del eje. El uso de hojas de sierra que no coincidan con el hardware de montaje de la sierra provocará un descentramiento, causando una pérdida de control de la herramienta.

No utilice tornillos ni discos de sujeción de las hojas defectuosos o inadaptados. Los tornillos y los discos de sujeción de las hojas han sido especialmente diseñados para este modelo de sierra, para obtener los mejores resultados y una óptima seguridad.

Causas de rebote y precauciones relacionadas:

- El rebote (o retroceso) es una reacción brusca que se produce cuando se da un pellizco, atasco o alineación incorrecta de la cuchilla de la sierra, lo que hace que la sierra descontrolada lance o eleve la pieza de trabajo hacia el usuario;
- cuando la cuchilla queda comprimida o atascada debido a un cierre del corte, la cuchilla se para de forma brusca y la reacción del motor hace que la unidad retroceda de forma rápida hacia el usuario;
- Si la hoja se dobla o está mal alineada, los dientes situados en la parte trasera de la hoja pueden hundirse en la superficie de la madera, expulsando bruscamente la hoja de la pieza trabajada hacia el usuario.

Por lo tanto, el rebote es el resultado de una mala utilización de la máquina y/o de procedimientos o condiciones de corte incorrectas. Puede evitarse teniendo algunas precauciones.

Sujete firmemente la sierra con ambas manos y coloque sus brazos de tal modo que puedan controlar un posible rebote. Al trabajar, póngase a un lado de la sierra, no se ponga nunca en la línea de la hoja. El rebote expulsa repentinamente la sierra hacia atrás, pero este movimiento puede controlarse si el usuario se lo espera y está preparado para ello.

Si la hoja se atasca o si debe interrumpir el corte por cualquier motivo, suelte el gatillo y mantenga la sierra en la pieza trabajada hasta que la hoja deje de girar completamente. No intente retirar la sierra de la pieza de trabajo o tirar de la sierra hacia atrás mientras la hoja esté en movimiento o podría darse un rebote. Si la hoja se atasca, averigüe cuál es la causa y tome las medidas necesarias para que no se repita.

Al reiniciar el funcionamiento de una sierra en la pieza de trabajo, centre la hoja en la línea de corte de forma que los dientes de la sierra no lleguen a estar en contacto con el material. Si una cuchilla se queda atascada, puede que se eleve o que rebote desde la pieza de trabajo al reanudar su funcionamiento.

Soporte los paneles grandes para minimizar el riesgo de pellizcos de la hoja y rebote. Los paneles grandes tienden a hundirse bajo su propio peso. Se deben colocar soportes bajo el panel a ambos lados, cerca de la línea de corte y cerca del borde del panel.

No utilice hojas de sierra desafiladas o deterioradas. Una hoja desafilada o mal montada producirá un corte de sierra fino, lo cual provocará una fricción excesiva de la hoja y, por tanto, mayores riesgos de torsión y rebote.

Antes de iniciar un corte, compruebe que los botones de ajuste de la profundidad y de la inclinación están correctamente bloqueados. Si los ajustes de la posición de la hoja se modifican durante el corte, la hoja puede atascarse y provocar un rebote.

Tenga extremo cuidado al serrar en paredes existentes u otras zonas ciegas. La hoja podría chocar contra elementos ocultos, lo que produciría un rebote.

Función de protección

Compruebe si la protección se cierra de forma adecuada antes de cada uso. No utilice la sierra si la protección no se mueve libremente o no mete la cuchilla al instante. Nunca fije ni amarre la protección de forma que la cuchilla pueda quedar expuesta. Si la sierra se cae accidentalmente, la protección puede doblarse. Asegúrese de que la protección se mueve libremente y no toca la cuchilla ni ninguna otra pieza en cualquier ángulo y con cualquier profundidad de corte.

Compruebe el funcionamiento y el estado del muelle de retorno de la protección. Si el protector de hoja o el resorte no funcionan correctamente, hágalos reparar o reemplazar antes de volver a utilizar la sierra. Si hay piezas rotas, depósitos pegajosos o residuos, la protección puede funcionar con lentitud.

Asegúrese de que la placa base de la sierra no se desplaza al realizar cortes profundos. Los movimientos laterales de la cuchilla pueden provocar bloqueos y posibles rebotes bruscos.

Asegúrese siempre de que la protección cubre la cuchilla antes de colocar la sierra en una mesa de trabajo o en el suelo. Si la hoja no está correctamente cubierta, puede girar por inercia y cortar lo que se encuentra en su trayectoria. Tenga presente que la hoja sigue girando durante un tiempo después de parar el motor.

Función de la cuña separadora

Utilice la hoja de sierra adecuada para la cuña separadora. Para que la cuña separadora funcione, el cuerpo de la cuchilla debe ser más fino que la cuña separadora y la anchura de corte de la cuchilla debe ser superior al grosor de la cuña separadora.

Ajuste la cuña separadora tal como se describe en este manual de instrucciones. Una separación, posición y alineación incorrectas puede hacer que la cuña de separación no sea efectiva a la hora de evitar los rebotes bruscos.

Para que la cuña separadora pueda funcionar, debe estar en contacto con la pieza de trabajo. Utilizar la cuchilla divisora no resulta eficaz para evitar reculadas al realizar cortes cortos.

No utilice la sierra si la cuchilla divisora está doblada. Incluso una interferencia ligera puede ralentizar la velocidad de cierre de una protección.

INSTRUCCIONES ADICIONALES DE SEGURIDAD Y FUNCIONAMIENTO

No utilice discos abrasivos.

Asegúrese de que la cuña separadora esté ajustada de forma que la distancia entre la cuña separadora y la cuchilla no sea superior a 5 mm, y que el borde de la cuchilla no se extienda más de 5 mm más allá del borde más bajo de la cuña separadora.

Utilice únicamente los diámetros de cuchilla indicados en las marcas.

Identifique la cuchilla de sierra que se debe utilizar en función del material que desea cortar.

Utilice únicamente cuchillas de sierra marcadas con una velocidad igual o superior a la especificada en la herramienta.

Utilice solamente las cuchillas de sierra recomendadas por el fabricante, conformes con lo establecido en la norma EN 847-1, en caso de que se pretenda cortar madera o materiales similares.

Utilice una máscara antipolvo.

Sujete la pieza de trabajo con un dispositivo de sujeción. Las piezas de trabajo mal sujetas pueden causar daños y lesiones graves.

Unas protecciones de la hoja de sierra sucias pueden limitar el correcto funcionamiento del producto, lo que podría provocar una lesión personal grave. Limpie las protecciones de la hoja de la sierra con aire comprimido para asegurarse de que no se produzca ninguna acumulación de virutas. Utilice una protección ocular y respiratoria adecuada.

Compruebe y asegúrese de que la protección del disco funcione adecuadamente. Siga los siguientes pasos para comprobar el correcto funcionamiento de la protección del disco.

- Asegúrese de que la batería se ha retirado del producto.
- Pulse el botón de bloqueo.
- Agarre el mango delantero y ejerza presión para bajar y exponer el disco.
- Permita que el mango delantero se eleve lentamente hasta que el disco quede por completo dentro de la protección.
- Asegúrese de que el protector del disco cubra el disco por completo.
- Si el protector de hoja o el resorte no funcionan correctamente, hágalos reparar o reemplazar antes de volver a utilizar la sierra.

Apague el producto inmediatamente si se atasca. No vuelva a encender el producto después de que se haya atascado. Volver a encenderlo puede provocar un retroceso con una gran fuerza de reacción. Analice por qué se ha atascado el producto y rectifíquelo, prestando atención a las instrucciones de seguridad.

Quite las baterías antes de empezar ningún trabajo con el producto.

ADVERTENCIAS DE SEGURIDAD DE LA BATERÍA ADICIONAL

⚠ ¡ADVERTENCIA! Para reducir el riesgo de incendio, lesiones personales y daños al producto provocados por un cortocircuito, nunca sumerja la herramienta, la batería ni el cargador en líquido, ni permita que un líquido fluya por su interior. Los líquidos corrosivos o conductores, como el agua marina, algunas sustancias químicas industriales y la lejía o los productos que la contienen, etc., pueden provocar un cortocircuito.

Al desechar baterías usadas, no deben tirarse con los residuos domésticos ni quemarse. Los distribuidores de AEG se ofrecen a recuperar baterías viejas para proteger el medioambiente.

Las baterías que no se han utilizado durante un tiempo deberían recargarse antes de su uso.

Para una duración óptima, las baterías se tienen que cargar completamente después de su uso.

Para un almacenamiento de la batería superior a 30 días:

- Almacene la batería en lugar con una temperatura inferior a 27 °C y alejado de la humedad.
- Almacene la batería con un estado de carga del 30 %-50 %.
- Cargue la batería con normalidad cada seis meses si el producto está almacenado.



Protección de la batería

La batería cuenta con una protección contra sobrecargas que la protege en caso de sobrecarga y ayuda a garantizar una larga vida útil.

En situaciones de estrés extremo, los componentes electrónicos de la batería desactivan el producto de forma automática. Para volver a poner en marcha el producto, apáguelo y vuelva a encenderlo. Si el producto no se vuelve a encender, puede que la batería se haya descargado por completo. Recargue la batería.

Transporte de baterías de litio

La batería de ión-litio está sujeta a la legislación sobre mercancías peligrosas.

El transporte de las baterías se tiene que realizar conforme a las provisiones y regulaciones locales, nacionales e internacionales.

- Las baterías se pueden transportar por carretera sin más requisitos adicionales.
- El transporte comercial de baterías de iones de litio por parte de terceros está sujeto a las regulaciones de bienes peligrosos. La preparación del transporte y el transporte sólo deben ser realizados por personal con la formación adecuada y el proceso debe ser supervisado por los correspondientes expertos.

Al transportar baterías:

- Asegúrese de que los terminales de contacto de la batería están protegidos y aislados para evitar cortocircuitos.
- Compruebe que la batería esté asegurada dentro del embalaje para que no se dañe con el movimiento.
- No transporte baterías con fisuras o fugas.
- Para más asesoramiento, póngase en contacto con la empresa de distribución.

CONOZCA SU PRODUCTO

Consulte la página 2-3.

1. Palanca de control de profundidad
2. Bloqueo del husillo
3. Arandela exterior de la cuchilla
4. Tornillo de la hoja
5. Puerto de extracción de serrín
6. Llave
7. Cuña de separación
8. Disco de sierra
9. Abrazadera de riel
10. Asa delantera, superficie de agarre aislada
11. Botón de bloqueo
12. Mango, superficie de agarre aislada
13. Gatillo interruptor
14. Batería
15. Botón de profundidad de corte
16. Control deslizante de ajuste a 1° negativo
17. Riel
18. Mando de ajuste de la guía
19. Indicador de bisel
20. Palanca de ajuste de bisel a 45°
21. Perilla de bloqueo para corte oblicuo
22. Tornillo de ajuste de bisel a 0°
23. Tornillo de ajuste paralelo
24. Tornillo de ajuste de bisel a 45°

MANTENIMIENTO

Evite el uso de disolventes para la limpieza de los componentes de plástico. La mayoría de los plásticos son sensibles a diferentes tipos de disolventes comerciales y su uso puede provocar daños. Utilice paños limpios para quitar la suciedad, la carbonilla, etc.

Utilice exclusivamente accesorios AEG y piezas de recambio AEG. Si es necesario sustituir algún componente que no se haya descrito, póngase en contacto con nuestro agente de servicio de AEG (ver nuestra lista de direcciones de garantía/mantenimiento).

Si fuera necesario, se puede solicitar una vista ampliada del producto. Indique el tipo de producto y el número de serie que aparecen impresos en la etiqueta, y solicite el esquema a sus agentes de servicio locales o directamente a: Techtronic Industries GmbH, Max-Eyth-Straße 10, 71364 Winnenden, Germany.

SÍMBOLOS



Lea las instrucciones atentamente antes de poner en marcha el producto.



Corriente directa



Utilice protección auditiva!



Utilice una máscara de protección contra el polvo adecuada.



Utilice protecciones oculares.



Utilice guantes de protección.



Mantenga las manos alejadas del área de corte y de la hoja de sierra afilada.



No deseche los residuos de baterías, aparatos eléctricos y electrónicos como residuos municipales no clasificados.

Los residuos de baterías, aparatos eléctricos y electrónicos se deben recoger de forma independiente.

Los residuos de baterías, acumuladores y fuentes de luz se deben retirar de los aparatos.

Consulte a sus autoridades locales o a su vendedor para obtener información sobre reciclaje y puntos de recogida.

De acuerdo con lo establecido en las normativas locales, los establecimientos minoristas pueden tener la obligación de recuperar los residuos de baterías, aparatos eléctricos y electrónicos de forma gratuita.

Su contribución a la hora de reutilizar y reciclar los residuos de baterías, aparatos eléctricos y electrónicos ayuda a reducir la demanda de materias primas.

Los residuos de baterías, en especial las que contienen litio, y los residuos de aparatos eléctricos y electrónicos contienen materiales valiosos que se pueden reciclar, y que podrían afectar de forma negativa al medio ambiente y a la salud humana si no se desechan de un modo medioambientalmente responsable.

Si lo hubiera, elimine cualquier dato personal de los residuos de los aparatos.

PT TRADUÇÃO DO MANUAL ORIGINAL

USO PREVISTO

A serra de incisão destina-se ao corte longitudinal e transversal de madeira ou materiais semelhantes até uma profundidade máxima de 58,5 mm. O produto pode efetuar cortes retos ou biselados entre 0 e 45 graus.

O produto foi concebido para ser manipulado directamente com as mãos. O produto não se destina a ser montado numa bancada. Não utilize o produto para cortar metal ou alvenaria.

Utilize o produto exclusivamente para o uso para o qual foi concebido.

⚠️ ADVERTÊNCIA! Leia todas as instruções dos avisos de segurança, as ilustrações e as especificações técnicas fornecidas com este produto. O incumprimento das instruções seguintes pode ocasionar acidentes como incêndios, choques eléctricos e/ou ferimentos graves.

Guarde todos os avisos e instruções para referência futura.

Procedimentos de corte

⚠ PERIGO: Mantenha as mãos afastadas da área de corte e da lâmina. A mão que não segura a pega principal da ferramenta deve segurar a pega auxiliar ou então ficar sobre a carcaça motor. Desta maneira, as suas mãos não correm o risco de ficar na zona de corte, na trajetória da lâmina.

Não tente alcançar a parte de baixo da peça de trabalho. neste lugar, o protector da lâmina não pode protegê-lo porque não cobre a lâmina.

Ajuste a profundidade de corte em função da espessura da peça a trabalhar. Os dentes da lâmina não devem ultrapassar completamente debaixo da peça a trabalhar durante o corte.

Nunca segure a peça de trabalho nas mãos, nem apoie na perna ao cortar. Fixe-a num suporte estável. É primordial que fixe correctamente a peça a trabalhar para evitar qualquer risco de ferimentos e não dobrar a lâmina para não perder o controlo da ferramenta.

Quando executar uma operação onde a ferramenta de corte possa entrar em contacto com fios condutores ocultos, agarre a ferramenta eléctrica pelas superfícies de prensão isoladas. O contacto com um cabo com corrente fará com que as partes metálicas da ferramenta eléctrica se carreguem e pode provocar uma descarga eléctrica ao operário.

Utilize sempre uma guia de corte paralelo ou uma ripa direita quando fizer um corte paralelo. A precisão do corte será melhorada e evitará os riscos de dobragem da lâmina.

Utilize sempre lâminas de tamanho e de forma adaptadas ao furo do eixo. As lâminas que não correspondam ao equipamento de montagem da serra desviam-se do centro, provocando a perda de controlo.

Nunca utilize parafusos nem fixadores de lâmina defeituosos ou não adaptados. Os fixadores e o parafuso da lâmina foram especialmente concebidos para o seu modelo de serra, para proporcionar uma maior segurança e uma melhor eficácia.

Causas do ricochete e avisos relacionados:

- o ressalto consiste numa reação repentina a uma lâmina dobrada, presa ou desalinhada, que faz com que a serra descontrolada se levanta e projete da peça de trabalho em direcção ao operador;
- quando a lâmina fica presa ou encravada devido ao fecho do corte, a lâmina para e a reação do motor faz com que a unidade ressalte rapidamente na direcção do operador;
- Se a lâmina se torcer ou se estiver mal alinhada, os dentes situados atrás da lâmina podem enterrar-se na superfície da madeira, o que fará sair bruscamente a lâmina da peça a trabalhar em direcção do utilizador.

O coice é portanto o resultado de uma má utilização da ferramenta e/ou de procedimentos ou de condições de corte incorrectas. Pode ser evitado tendo o cuidado de cumprir certas precauções.

Segure firmemente a serra com ambas as mãos e ponha os seus braços de forma que possam resistir a um coice eventual. Fique de um lado da serra quando estiver a trabalhar mas nunca no alinhamento da lâmina. O coice projecta subitamente a serra para trás mas este movimento pode ser controlado se o utilizador estiver à espera disso e se preparar.

Se a lâmina ficar entalada ou se tiver que interromper o corte por um motivo qualquer, solte o gatilho e mantenha a serra na peça a trabalhar até que a lâmina deixe completamente de girar. Nunca tente retirar a serra da peça de trabalho ou puxe para trás enquanto a lâmina estiver em movimento ou poderá ocorrer um ricochete. Se a lâmina ficar entalada, procure a causa disso e tome as medidas necessárias para que isso não volte a acontecer.

Ao reiniciar a serra na peça de trabalho, centre a lâmina da serra na placa de corte, de modo a que os dentes da serra não fiquem engrenados no material. Se uma lâmina se unir, pode subir ou ressaltar da peça de trabalho ao ligar a serra novamente.

Agente a peças compridas a trabalhar para evitar que a lâmina fique entalada e para que minimize assim os riscos de coices. As peças a trabalhar compridas têm tendência a abaular devido ao próprio peso. Pode pôr suportes dos dois lados da peça

a trabalhar, perto da linha de corte e ao nível da extremidade da peça.

Não utilize lâminas embotadas ou danificadas. As lâminas não afiadas ou mal montadas produzirão um corte de serra fino, o que provoca uma fricção excessiva da lâmina e portanto maiores riscos de torção e de coice.

Antes de começar um corte, verifique se os botões de ajuste da profundidade e da inclinação estão correctamente bloqueados. Se os ajustes da posição da lâmina se modificarem durante o corte, a lâmina pode ficar entalada e ocorrer um coice.

Tenha extrema cautela ao serrar em paredes existentes ou outras zonas cegas. A lâmina poderia chocar contra elementos ocultos, o que poderia provocar um coice.

Função de resguardo

Verifique se o resguardo está correctamente fechado antes de cada utilização. Não utilize a serra se a proteção não se mover livremente e não envolver a lâmina de forma instantânea. Nunca prenda ou fixe o resguardo de modo a que a lâmina fique exposta. Se a serra cair acidentalmente, a proteção pode ficar dobrada. Certifique-se de que a proteção se move livremente e de que não toca na lâmina ou em qualquer outra peça, em todos os ângulos e profundidades de corte.

Verifique o funcionamento e o estado da mola de retorno do resguardo. Se o protector da lâmina ou a mola não funcionarem correctamente, mande repará-los ou substituir antes da utilizar a serra. A proteção pode funcionar de forma lenta devido à presença de peças danificadas, depósitos de goma ou acumulação de detritos.

Certifique-se de que a placa da base da serra não se move durante a realização de “cortes de perfuração”. A movimentação lateral da lâmina pode provocar danos e ressaltos.

Verifique sempre se a proteção cobre a lâmina antes de colocar a serra na bancada ou no chão. Se a lâmina não ficar correctamente coberta, ela pode rodar por inércia e cortar tudo o que se encontrar na sua trajetória. Tenha consciência do facto de que a lâmina continua a rodar durante um certo tempo depois da paragem do motor.

Função de lâmina fixa

Utilize a lâmina adequada para a barra fixa. Para que a lâmina fixa funcione, o corpo da lâmina deve ser mais fino que a lâmina fixa e a largura do corte da lâmina deve ser mais largo que a espessura da lâmina fixa.

Ajuste a lâmina fixa tal como se descreve no manual de instruções. O espaçamento, posicionamento e alinhamento incorrectos podem impedir que a lâmina fixa evite o ressalto.

Para que a lâmina fixa funcione, deve ser engrenada na peça de trabalho. A lâmina separadora é ineficaz para impedir a ocorrência de retrocesso durante a realização de cortes curtos.

Não utilize a serra se a lâmina separadora estiver dobrada. Mesmo uma ligeira interferência pode abrandar a velocidade do fecho do resguardo.

INSTRUÇÕES DE SEGURANÇA E FUNCIONAMENTO ADICIONAIS

Nunca utilize um disco abrasivo.

Certifique-se de que a lâmina fixa está ajustada de modo a que a distância entre a lâmina fixa e o rebordo da lâmina não seja superior a 5 mm e o rebordo da lâmina não se alongue mais do que 5 mm além da extremidade mais baixa da lâmina fixa.

Utilize apenas o(s) diâmetro(s) da lâmina de acordo com as marcações.

Identifique a lâmina da serra correta para o material a cortar.

Utilize apenas lâminas de serra com a indicação de velocidade igual ou superior à assinalada na ferramenta.

Utilize apenas as lâminas recomendadas pelo fabricante, que estejam em conformidade com a norma EN 847-1, se destinadas a madeiras ou materiais análogos.

Use máscara contra pó.

Fixe a peça de trabalho com um dispositivo de fixação. As peças de trabalho mal presas podem causar danos e lesões graves.

Os resguardos da lâmina sujos poderão limitar o correto funcionamento do produto, resultando em graves ferimentos



personais. Limpe os resguardos da lâmina com ar comprimido para garantir que não existe acumulação de serradura. Use proteção para os olhos e respiratória adequada.

Verifique e certifique-se de que a proteção da lâmina funciona corretamente. Siga os passos abaixo para verificar o correto funcionamento da proteção da lâmina.

- Certifique-se de que a bateria é retirada do produto.
- Prima o botão de desbloqueio.
- Segure na pega frontal e aplique pressão para baixo para baixar e expor a lâmina.
- Permita que a pega frontal suba lentamente até que a lâmina se encontre totalmente no interior da proteção.
- Certifique-se de que a proteção cobre totalmente a lâmina.
- Se o protector da lâmina ou a mola não funcionarem correctamente, mande reparar-los ou substituir antes de utilizar a serra.

Desligue imediatamente o produto se entrar em paragem espontânea. Não volte a ligar o produto depois de entrar em paragem espontânea. Se o voltar a ligar, pode provocar um efeito de ricochete muito violento. Descubra o problema que fez o produto entrar em paragem espontânea e corrija-o, certificando-se de que cumpre todas as instruções de segurança.

Antes de fazer quaisquer trabalhos de manutenção ou limpeza ao produto, desmonte o conjunto de baterias.

AVISOS DE SEGURANÇA ADICIONAIS DAS BATERIAS

⚠ ADVERTÊNCIA! Para reduzir o risco de incêndio, ferimentos pessoais e danos ao produto causados por curto-circuito, nunca coloque o conjunto de baterias ou a ferramenta dentro de qualquer líquido, não deixe que sejam penetrados por qualquer líquido! Líquidos que sejam corrosivos ou que conduzam a electricidade, como por exemplo água do mar, certos produtos químicos industriais e lixívia/produtos com lixívia, etc., podem causar um curto-circuito.

Não deite fora baterias usadas juntamente com o lixo doméstico nem queimando-as. Os Distribuidores AEG estão disponíveis para recolher baterias velhas, para proteger o meio-ambiente.

Conjuntos de baterias que tenham estado algum tempo sem serem utilizados devem ser recarregados antes de serem utilizados.

Para assegurar a máxima vida útil, os conjuntos de baterias têm obrigatoriamente de ser totalmente carregados depois de serem utilizados.

Para um armazenamento da bateria superior a 30 dias:

- Armazene a bateria num local em que a temperatura seja inferior a 27 °C e afastada da humidade.
- Guarde as baterias num estado de carregamento de 30%-50%.
- Carregue a bateria normalmente a cada seis meses de armazenamento.

Proteção da bateria

A bateria tem uma proteção de sobrecarga que a protege e ajuda a garantir uma vida útil prolongada.

Em condições de tensão extrema, os componentes eletrónicos da bateria desligam o produto automaticamente. Para reiniciar, desligue o produto e ligue-o novamente. Se o produto não ligar novamente, a bateria poderá estar completamente descarregada. Recarregue a bateria.

Transporte de baterias de lítio

A bateria de íão de lítio está sujeita à legislação de mercadorias perigosas.

O transporte dessas baterias tem de ser feito de acordo com as disposições e os regulamentos locais, nacionais e internacionais.

- As baterias podem ser transportadas por via rodoviária sem mais equipamentos.
- O transporte comercial de baterias de íões de lítio por terceiros está sujeito à regulamentação de Mercadorias Perigosas. A preparação do transporte e o transporte apenas devem ser realizados por pessoal com a formação adequada e o processo deve ser supervisionado pelos especialistas correspondentes.

Quando transportar baterias:

- Assegure-se que os terminais de contacto da bateria estão protegidos e isolados para evitar curto-circuitos.

- Utilize materiais de embalagem para se certificar de que o conjunto de baterias está acondicionado de forma segura, contra movimentos ou quedas.
- Não transporte baterias com fissuras ou fugas.
- Contacte a empresa transitária para mais aconselhamento.

CONHEÇA O SEU PRODUTO

Consulte a página 2-3.

1. Alavanca de controlo da perfuração
2. Bloqueio do veio
3. Anilha da lâmina exterior
4. Parafuso da lâmina
5. Porta de pó
6. Chave
7. Faca rasgadora
8. Lâmina da serra
9. Grampo do trilho
10. Pega dianteira, superfícies de prensão isoladas
11. Botão de desbloqueio
12. Pega, superfícies de prensão isoladas
13. Interruptor de gatilho
14. Bateria
15. Botão de profundidade de corte
16. Controlo de deslize de ajuste para 1° negativo
17. Trilho
18. Botão de ajuste da calha
19. Indicador de bisel
20. Alavanca biselada de ajuste para mais de 45°
21. Maçaneta de bloqueio do corte biselado
22. Parafuso biselado de ajuste a 0°
23. Parafuso de ajuste paralelo
24. Parafuso de ajuste de ajuste a 45°

MANUTENÇÃO

Evite utilizar solventes ao limpar as peças de plástico. A maior parte dos plásticos é suscetível a vários tipos de solventes comerciais e a sua utilização poderá provocar danos. Utilize panos limpos para remover a sujidade, o pó de carbono, etc.

Utilize apenas acessórios AEG e sobresselentes AEG. Se for necessário substituir componentes que não foram descritos, entre em contacto com um dos nossos agentes de assistência técnica AEG (consulte a nossa lista de moradas de assistência técnica/garantia).

Se necessário, pode ser encomendado um diagrama mostrando o produto em perspectiva ampliada. Indique o tipo de produto e o número de série impresso na etiqueta e solicite o diagrama no seu agente local ou diretamente em: Techtronic Industries GmbH, Max-Eyth-Straße 10, 71364 Winnenden, Germany.

SÍMBOLOS

	Leia atentamente as instruções antes de ligar o produto.
	Corrente directa
	Sempre use a protecção dos ouvidos.
	Utilize uma máscara de proteção de poeira.
	Use proteção para os olhos.
	Use luvas de proteção
	Mantenha as mãos afastadas da área de corte e das lâminas afiadas.



Não elimine baterias, pilhas, equipamentos elétricos e eletrônicos juntamente com resíduos municipais não separados.

Os resíduos de baterias, pilhas e equipamentos elétricos e eletrônicos devem ser recolhidos separadamente.

Os resíduos de acumulares de baterias, pilhas e fontes de luz têm de ser retirados do equipamento.

Consulte a sua autoridade local ou retalhista para obter aconselhamento sobre reciclagem e pontos de recolha.

De acordo com os regulamentos locais, os retalhistas têm a obrigação de receber os resíduos de baterias, pilhas e equipamentos elétricos e eletrônicos livres de encargos.

A sua contribuição para reutilizar e reciclar os resíduos de baterias, pilhas e equipamentos elétricos e eletrônicos ajuda a reduzir a procura de matérias-primas.

As baterias e pilhas usadas, em particular, contêm lítio e os resíduos de equipamentos elétricos e eletrônicos contêm materiais recicláveis preciosos, que podem afetar negativamente o meio ambiente e a saúde humana se não forem eliminados de uma forma ambientalmente compatível.

Elimine os dados pessoais dos equipamentos, se existirem.

Houd het apparaat vast bij de geïsoleerde handvatten tijdens werkzaamheden waar het snijaccessoire in contact kan komen met verborgen bedrading. Contact met een snoer dat onder spanning staat, zal ertoe leiden dat blootgestelde metalen onderdelen van de machine onder spanning komen te staan, waardoor de gebruiker een elektrische schok kan krijgen.

Gebruik altijd een parallelgeleider of een rechte lat bij het schulpen. Zo werkt u veel nauwkeuriger en voorkomt u dat het zaagblad wordt verbogen.

Gebruik altijd zaagbladen waarvan de grootte en de vorm geschikt zijn voor de dikte van de as. Bladen die niet passen bij de bevestigingsmiddelen van de zaag zullen uit hun centrale positie verschuiven, waardoor u de controle verliest.

Gebruik nooit schroeven of flenzen afkomstig van defecte of verkeerde zaagbladen. De flenzen en de zaagbladschroeven zijn speciaal bedoeld voor uw type zaagmachine en verschaffen optimale zekerheid en prestaties.

Terugslagoorzaken en verwante waarschuwingen:

- terugslag is een plotselinge reactie op een afgeklemd, vastgelopen of scheefzittend zaagblad, waarbij de bediener de controle over de zaag verliest en de zaag omhoog het werkstuk uit springt, in de richting van de bediener;
- als het blad vastgeklemd raakt doordat de snede nauwer wordt, wordt het blad stilgezet en zorgt de reactie van de motor ervoor dat het apparaat meteen terugspringt in de richting van de bediener;
- Als het zaagblad verbogen raakt of verkeerd is uitgelijnd, bestaat het gevaar dat de tanden die zich aan de andere kant van het zaagblad bevinden, zich in het houtoppervlak drukken, wat het zaagblad plotseling uit het werkstuk doet springen in de richting van de gebruiker.

Terugslag is dus het gevolg van foutief gebruik van de machine en/of van onjuiste procedures of omstandigheden. Terugslag kan worden vermeden door de volgende voorzorgsmaatregelen te nemen.

Pak de zaagmachine stevig met twee handen vast en houd uw armen zo dat ze een eventuele terugslag kunnen opvangen. Ga altijd aan één kant van het zaagblad staan als u met de zaagmachine werkt, nooit in het verlengde van het zaagblad. Een terugslag werpt de zaagmachine plotseling naar achteren, maar deze beweging kan worden opgevangen als de gebruiker daarop bedacht is en zich daarvoor voorbereidt.

Wanneer de zaagmachine vastloopt of als u het zagen om de één of andere reden wilt onderbreken, laat u de drukschakelaar los en houd u de zaagmachine net zolang in het werkstuk tot het blad geheel tot stilstand is gekomen. Probeer de zaag nooit uit het werkstuk te verwijderen of de zaag terug te trekken wanneer het blad in beweging is, anders kan deze terugslaan. Als het zaagblad zich vastklemt, dient u de oorzaak daarvan op te zoeken en de nodige maatregelen nemen om te voorkomen dat het nog eens gebeurt.

Wanneer een zaag in het werkstuk opnieuw wordt gestart, centreer dan het zaagblad in de zaagsnede, zodat de zaagtanden niet in het materiaal grijpen. Als het zaagblad vastraaft, kan deze teruglopen of -springen van het werkstuk wanneer de zaag opnieuw gestart wordt.

Ondersteun lange werkstukken om te voorkomen dat het zaagblad vast komt te zitten en om op die manier het gevaar van terugslag te vermijden. Lange werkstukken hebben de neiging onder hun eigen gewicht door te buigen. U kunt aan twee kanten van het werkstuk voor ondersteuning zorgen, dicht bij de zaaglijn en aan het uiteinde van het werkstuk.

Gebruik geen botte of beschadigde zaagbladen. Botte of verkeerd gemonteerde zaagbladen veroorzaken een dunne snede die een buitengewone wrijving van het zaagblad met zich meebrengt en dus een groter gevaar oplevert voor verbuigen en terugslag.

Controleer of de instelknoppen voor zaagdiepte en afschuinhoek goed zijn geblokkeerd voordat u begint met zagen. Als de afstellingen van het zaagblad tijdens het zagen veranderen, bestaat de kans dat het zaagblad zich vastklemt en dat er een terugslag optreedt.

Wees extra voorzichtig wanneer u in bestaande muren of andere blinde plaatsen boort. Het zaagblad zou in aanraking

NL VERTALING VAN DE ORIGINELE INSTRUCTIES

VOORGESCHREVEN GEBRUIK VAN HET SYSTEEM

De invalzaag is bedoeld voor het schulpen en doorzagen van hout of soortgelijke materialen tot een maximale diepte van 58,5 mm. Het product kan rechte of schuine sneden maken tussen 0 en 45 graden.

Het product is ontworpen voor draagbaar gebruik. Het apparaat mag niet op een werkbank worden gemonteerd. Gebruik het product niet voor het zagen van metaal of metselwerk.

Gebruik het product niet voor andere doeleinden dan waarvoor het is bestemd.

⚠ WAARSCHUWING! Lees alle veiligheidsinstructies, illustraties en specificaties die met dit product worden meegeleverd. Als u onderstaande voorschriften niet opvolgt, kan dit leiden tot ongelukken zoals brand, elektrische schokken en/of ernstig lichamelijk letsel.

Bewaar alle waarschuwingen en instructies voor toekomstig gebruik.

VEILIGHEIDSWAARSCHUWINGEN VOOR DE INVALZAAG

Zaagprocedures

⚠ GEVAAR: Houd handen weg van het zaagbereik en zaagblad. De hand waarmee u de hoofdhandgreep niet vasthoudt moet de hulphandgreep vasthouden of op de motorombouw rusten. Op die manier loopt u niet het gevaar dat uw handen in het zaagblad grijpen.

Raak niet onder het werkstuk. Hier bestaat groot gevaar omdat de beschermkap hier het zaagblad niet bedekt.

Stel de zaagdiepte af al naar gelang de dikte van het werkstuk. De tanden van het zaagblad mogen tijdens het zagen niet helemaal onder het werkstuk uitkomen.

Houd het werkstuk nooit met uw handen of over uw been vast tijdens het slijpen. Maak het werkstuk vast op een stabiele ondergrond. Het is van uiterst belang om het werkstuk goed vast te maken om lichamelijk letsel te voorkomen en om het zaagblad niet te verbuigen waardoor u de macht over de machine zou kunnen verliezen.



EN
DE
FR
IT
ES
PT
DA
NO
SV
FI
EL
TR
CS
SK
PL
HU
SL
HR
LV
LT
ET
RU
BG
RO
MK
UK
AR
i

kunnen komen met verborgen elementen met kans op een terugslag.

Werking van de afscherming

Controleer voor elk gebruik dat de afscherming goed gesloten is. Gebruik de zaag niet als de beschermkap niet vrij kan bewegen en het zaagblad niet meteen omsluit. Zet of bind de afscherming nooit vast zodat het blad blootligt. Als de zaag per ongeluk valt, kan de beschermkap verbogen raken. Controleer of de kap vrij kan bewegen en controleer bij alle hoeken en diepten van de snede of de kap niet in aanraking komt met het blad of met een ander onderdeel.

Controleer de werking en de staat van de terugvering van de afscherming. Als de beschermkap of de veer niet goed werkt, dient u deze te laten repareren of te vervangen voordat u de zaagmachine gaat gebruiken. De beschermkap kan traag gaan werken als gevolg van beschadigde onderdelen, plakkerige resten of ophoping van vuil.

Zorg ervoor dat de basisplaat van de zaag niet verschuift tijdens het uitvoeren van de steekzaagmethode. Als het blad opzij verschuift, komt hij vast te zitten, wat terugslag kan veroorzaken.

Controleer altijd of de beschermkap het blad bedekt voordat u de zaag op een werkbank of vloer plaatst. Als het zaagblad niet goed is afgedekt, kan het door inertie nog draaien en alles wat zich in zijn baan bevindt doorzagen. Wees erop bedacht dat het zaagblad nog enige tijd blijft doordraaien nadat u de motor heeft uitgezet.

Functie spouwmes

Gebruik het juiste zaagblad voor het spouwmes. Het spouwmes kan alleen functioneren als het blad zelf dunner is dan het spouwmes en de snede breder is dan de dikte van het spouwmes.

Stel het spouwmes in zoals beschreven in de handleiding. Onjuiste verdeling, positionering en uitlijning kunnen ervoor zorgen dat het spouwmes terugslag niet kan voorkomen.

Het spouwmes kan alleen functioneren als het mes het werkstuk aanraakt. Het spouwmes is niet effectief in het voorkomen van terugslag tijdens kortsluiting.

Gebruik de zaag niet als het spouwmes is verbogen. Zelfs een geringe belemmering kan de ervoor zorgen dat de afscherming langzamer sluit.

AANVULLENDE VEILIGHEIDS- EN WERKINSTRUCTIES

Monteer nooit een slijpschijf op dit apparaat.

Zorg ervoor dat het spouwmes zo ingesteld is dat de afstand tussen het spouwmes en de rand van het blad niet groter is dan 5 mm, en de rand van het blad niet meer dan 5 mm onder de onderrand van het spouwmes uitsteekt.

Gebruik alleen bladdiameter(s) die overeenkomen met de markeringen.

Kies het juiste zaagblad voor het te zagen materiaal.

Gebruik alleen zaagbladen die geschikt zijn voor een toerental (snelheid) dat gelijk is of hoger dan het toerental dat vermeld staat op het gereedschap.

Gebruik alleen door de fabrikant aanbevolen zaagbladen die voldoen aan de richtlijn EN 847-1, indien bedoeld voor het zagen van hout en vergelijkbaar materiaal.

Draag een stofmasker.

Klem het werkstuk met een klem vast. Werkstukken die niet zijn vastgeklemd kunnen ernstige letsels en schade veroorzaken.

Vuile zaagbladbeschermkappen kunnen de goede werking van het product belemmeren en ernstig persoonlijk letsel veroorzaken. Reinig de zaagbladbeschermkappen met perslucht om te vermijden dat er zich zaagstof ophoopt. Draag geschikte oog- en ademhalingsbescherming.

Controleer en zorg ervoor dat de mesbescherming goed werkt. Volg onderstaande stappen om de goede werking van de mesbescherming te controleren.

- Zorg ervoor dat de accu uit het product verwijderd is.
- Druk de vergrendelknop in.
- Grijp het voorste handvat vast en pas voorwaartse druk toe om het zaagblad vrij te maken en te laten zakken.

- Laat het voorste handvat langzaam omhoog komen tot het zaagblad zich volledig binnen de bescherming bevindt.
- Zorg ervoor dat de mesbescherming het zaagblad volledig omsluit.
- Als de beschermkap of de veer niet goed werkt, dient u deze te laten repareren of te vervangen voordat u de zaagmachine gaat gebruiken.

Schakel het product onmiddellijk uit zodra het tot stilstand komt. Schakel het product niet opnieuw in nadat het is vastgelopen. Opnieuw inschakelen kan een terugslag met een hoge reactiekracht veroorzaken. Stel vast waarom het product is vastgelopen en herstel dit. Neem daarbij de veiligheidsinstructies in acht.

Verwijder de accu voordat u werkzaamheden aan het product uitvoert.

EXTRA WAARSCHUWINGEN BATTERIJVEILIGHEID

⚠ WAARSCHUWING! Dompel de accu of oplader nooit onder in vloeistof en laat er nooit vloeistof instromen, om het risico op brand, persoonlijk letsel en productschade door kortsluiting te vermijden. Bijtende of geleidelijke vloeistoffen, zoals zeewater, bepaalde industriële chemicaliën en bleekmiddelen of chloorhoudende producten, etc., kunnen kortsluiting veroorzaken.

Gooi gebruikte accu's niet weg met het huishoudelijk afval of verbrand ze niet. AEG-distributeurs nemen oude accu's terug ter bescherming van ons milieu.

Accu's die lange tijd niet gebruikt zijn, dienen voor gebruik opnieuw opgeladen te worden.

Voor een optimale levensduur dient de accu na gebruik volledig opgeladen te worden.

Voor langer dan 30 dagen opslaan van accu's:

- Bewaar de accu op een plaats waar de temperatuur lager is dan 27 °C en uit de buurt van vocht.
- Bewaar accu's in een 30% -50% opgeladen toestand.
- Laad het accupak na zes maanden opslag op de gebruikelijke manier op.

Bescherming van accu

De accu heeft een beveiliging tegen overbelasting. Deze beschermt tegen een te hoge lading en helpt een lange levensduur te garanderen.

Bij extreme belasting schakelt de accu-elektronica het apparaat automatisch uit. Schakel om te herstarten het apparaat uit en vervolgens weer in. Als het product niet opnieuw opstart, is de accu mogelijk volledig leeg. Laad het batterijpak op.

Vervoeren van lithium batterijen

De lithium-ionaccu is onderworpen aan de wetgeving inzake gevaarlijke stoffen.

Vervoer van de accu's is geregeld volgens plaatselijke, nationale en internationale voorwaarden en regelgeving.

- Accu's kunnen zonder verdere vereisten over de weg worden vervoerd.
- Commercieel vervoer van lithium-ion-accu's door derde partijen is onderhevig aan regelgeving voor gevaarlijke stoffen. De voorbereidingen voor het transport en het transport zelf mag uitsluitend worden uitgevoerd door personeel dat vakkundig werd opgeleid en het proces moet worden begeleid door overeenkomstige experts.

Tijdens het vervoeren van accu's:

- Zorg ervoor dat de batterijcontactterminals beschermd en geïsoleerd zijn om kortsluiting te voorkomen.
- Zorg ervoor dat de accu niet kan verschuiven binnen de verpakking.
- Geen gekraakte of lekkende accu's vervoeren.
- Controleer bij het doorsturende bedrijf voor verder advies.

KEN UW PRODUCT

Zie pagina 2-3.

1. Bedieningshendel steekzaag
2. Spindelvergrendeling
3. Ring buitenste blad
4. Schroef voor zaagblad
5. Stofpoort
6. Sleutel
7. Spouwmes
8. Zaagblad

9. Baanklem
10. Voorste handgreep met geïsoleerd grijpoppervlak
11. Ontgrendelknop
12. Hendel, geïsoleerd grijpoppervlak
13. Activeringsschakelaar
14. Accu
15. Knop voor snedediepte
16. Schuifknop negatieve bypass 1°
17. Baan
18. Knop voor aanpassing track
19. Afschuivingsindicator
20. Bypasshendel schuine hoek 45°
21. Schuivstandvergrendelknop
22. Stelschroef voor schuine hoek 0°
23. Parallele stelschroef
24. Stelschroef voor schuine hoek 45°

ONDERHOUD

Verijd het gebruik van oplosmiddelen bij het reinigen van kunststof onderdelen. De meeste kunststoffen zijn gevoelig voor diverse soorten in de handel verkrijgbare oplosmiddelen en kunnen door het gebruik daarvan worden beschadigd. Gebruik schone doeken om vuil, carbonstof, etc. te verwijderen.

Gebruik alleen accessoires en reserveonderdelen van AEG. Als er onderdelen vervangen moeten worden die niet omschreven zijn, neem dan contact op met een van onze medewerkers van AEG-serviceonderhoud (zie onze lijst van garantie-/serviceonderhoudsadressen).

Eventueel kunt u een onderdelenoverzicht van het apparaat bestellen. Vermeld het producttype en het serienummer dat op het etiket staat en bestel het overzicht bij uw lokale serviceagent of direct bij: Techtronic Industries GmbH, Max-Eyth-Straße 10, 71364 Winnenden, Germany.

SYMBOLEN

	Lees de instructies zorgvuldig door alvorens het apparaat in gebruik te nemen.
	Gelijkstroom
	Draag oorbeschermers.
	Draag een geschikt stofmasker.
	Draag oogbescherming.
	Draag beschermende handschoenen.
	Houd uw handen uit de buurt van het zaagdeelte en het scherpe zaagblad.
	Gooi afgedankte elektrische en elektronische apparatuur niet weg als ongesorteerd gemeentelijk afval.
	Afgedankte elektrische en elektronische apparatuur moet afzonderlijk worden ingezameld.
	Afvalbatterijen, afvalaccu's en lichtbronnen moeten uit de apparatuur worden verwijderd.
	Neem contact op met uw gemeente of winkelier voor advies over recycling en het inzamelpunt.
	Volgens de plaatselijke voorschriften kunnen detailhandelaars verplicht zijn afgedankte elektrische en elektronische apparatuur kosteloos terug te nemen.

Uw bijdrage aan hergebruik en recycling van afgedankte elektrische en elektronische apparatuur helpt de vraag naar grondstoffen te verminderen.

Afgedankte elektrische en elektronische apparatuur bevat waardevolle, recycleerbare materialen, die een negatief effect kunnen hebben op het milieu en de volksgezondheid, indien zij niet op een milieuvriendelijke manier worden verwijderd.

Verwijder eventuele persoonlijke gegevens van afgedankte apparatuur.

DA OVERSÆTTELSE AF DEN ORIGINALE BRUGSANVISNING

TILTÆNK ANVENDELSESFORMÅL

Sporsaven er beregnet til rip- og tværskæring af træ eller lignende materialer op til en maksimum dybde på 58,5 mm. Produktet kan lave lige eller affasede snit mellem 0 og 45 grader.

Produktet er designet til håndholdt brug. Produktet må ikke monteres på en arbejdsbænk. Produktet må ikke bruges til at skære i metal eller murværk.

Må ikke bruges til andre formål.

⚠ ADVARSEL! Læs alle omhyggeligt alle advarsler, anvisninger og specifikationer, som følger med maskinen, og studer illustrationerne. Hvis nedenstående forskrifter ikke overholdes, kan der ske uheld og ulykker som brand, elektrisk stød og/eller alvorlige personskader.

Gem alle advarsler og instruktioner til fremtidig reference.

SIKKERHEDSADVARSLER FOR SPORSAV

Skæreprocedurer

⚠ FARE: Hold hænderne på afstand af skæreområdet og klingens. Den hånd, der ikke griber om værktøjets hovedhåndtag, skal holde om hjælpehåndtaget eller hvile på motorskærmen. Hænderne risikerer så ikke at komme ind i saveområdet i klingens bane.

Ræk ikke hånden ind under emnet. der yder klingskærmen nemlig ingen beskyttelse, for den dækker ikke klingens.

Indstil saveedyden efter arbejdsstykkets tykkelse. Klingetænderne må ikke stikke helt ned under arbejdsstykket under savningen.

Hold aldrig arbejdsemnet i dine hænder eller hen over dit ben, mens du skærer. Spænd det fast på et stabilt underlag. Det er meget vigtigt at spænde arbejdsstykket godt fast for ikke at komme til skade, bøje klingens eller miste kontrollen over værktøjet.

Hold kun på elværktøjet på de isolerede gribeblader, fordi skæreværktøjet evt. kan komme i berøring med skjulte ledninger. Kontakt med strømførende kabler kan gøre udsatte metaldele af elværktøjet strømførende og kan give operatøren elektrisk stød.

Brug altid parallelsavestyr eller en lige liste ved savning af parallelsnit. Savepræcisionen bliver større, og klingens risikerer ikke at blive bøjet.

Brug altid klinger med en størrelse og facon, der passer til akselboringen. Klinger, der ikke passer til savens monteringsbeslag, vil blive ustabile, hvilket medfører tab af kontrol.

Brug aldrig klingskruer eller -flanger, som er defekte eller uegnede. Klingeflangerne og -skruerne er specielt beregnet til den enkelte savmodel for optimal sikkerhed og ydeevne.

Årsager til tilbageslag ('kickback') og tilhørende advarsler:

- Tilbageslag er en pludselig reaktion på en fastklemt, fastkørt eller forkert justeret savklinge, der forårsager, at en ukontrolleret savklinge løfter sig op og ud af arbejdsområdet i retning af operatøren.
- Når klingens bliver fastklemt eller fastlåst stramt ved, at kanten lukker sig, kører klingens fast, og motorens reaktion fører enheden hurtigt tilbage i retning af operatøren.

- EN
- DE
- FR
- IT
- ES
- PT
- NL
- DA
- NO
- SV
- FI
- EL
- TR
- CS
- SK
- PL
- HU
- SL
- HR
- LV
- LT
- ET
- RU
- BG
- RO
- MK
- UK
- AR

- Hvis klingens vrider sig eller er rettet forke ind, risikerer tænderne ved klingens bagende at gå ned i træfladen, hvilket får klingen til at hoppe brat ud af arbejdsstykket og mod brugeren.

Tilbageslag skyldes altså, at værktøjet bruges forke, og/eller at saveforholdene eller fremgangsmåden er uhensigtsmæssige. Det kan undgås, hvis der tages nogle forholdsregler.

Grib godt fat om saven med begge hænder, og hold armene således, at de kontrollerer et eventuelt tilbageslag. Stå på den ene side af saven under arbejdet og aldrig i forlængelse af klingens. Ved tilbageslag slynges saven pludselig bagud, men denne bevægelse kan kontrolleres, hvis brugeren er forberedt på det.

Hvis klingens sætter sig fast, eller hvis snittet skal afrydes af en eller anden årsag, slippes start-stopknappen, og saven holdes i arbejdsstykket, indtil klingens er holdt helt op med at dreje rundt. Man må aldrig forsøge at tage saven ud af emnet eller trække savens tilbage, så længe klingens er i bevægelse, da der ellers er fare for tilbageslag. Hvis klingens sætter sig fast, søges årsagen, og de nødvendige forholdsregler tages for at undgå, at det sker igen.

Når du genstarter en sav i arbejdsemnet, skal du centrere savklingen i savsnittet, således at savtænderne ikke har kontakt med materialet. Når en savklinge binder, kan den springe op eller slå tilbage fra arbejdsemnet, når saven bliver genstartet.

Sørg for at understøtte lange emner for at undgå, at klingens sætter sig fast, og formindske risikoen for tilbageslag. Lange emner har tendens til at bukke under deres egen vægt. Der kan indsættes støtteanordninger i begge sider af arbejdsstykket, tæt ved savelinien og ved arbejdsstykkets yderpunkt.

Brug aldrig sløve eller beskadigede savklinger. Hvis klingens ikke er skarp, eller hvis den er monteret forkert, får den for stor friktionsmodstand i savsnittet, hvilket øger risikoen for, at den vrider sig og for, at saven springer tilbage.

Inden snittet påbegyndes, kontrolleres at dybde- og hældningsindstillingsknapperne er spændt forsvarligt. Hvis klingens positionsindstillinger ændres under savningen, kan klingens sætte sig fast og saven springe tilbage.

Vær ekstra forsigtig, når du saver ind i eksisterende vægge eller bløde områder. Klingens kan ramme skjulte elementer og forårsage tilbageslag.

Afskærmningens funktion

Kontroller, at afskærmningen lukke korrekt før hver brug. Undlad at betjene saven, hvis afskærmningen ikke bevæger sig frit, og omslutter klingens med det samme. Opspænd eller fastbind aldrig afskærmningen, så klingens bliver blødt.

Hvis savens tabes ved et uheld, kan afskærmningen blive bøjet. Kontroller, at afskærmningen bevæger sig frit og ikke rører klingens eller nogen anden del i alle skærevinkler og -dybder.

Kontroller funktion og tilstand på afskærmningens returfeder. Hvis klingeskærmen eller fjederen ikke virker rigtigt, skal de repareres eller udskiftes, inden saven bruges. Afskærmningen kan fungere trægt på grund af beskadigede dele, gummi aflejringer eller ophobning af snavs.

Sørg for, at savens bundplade ikke forskydes, mens der udføres en "dykskæring". Klingskift sideværts vil forårsage binding eller sandsynligvis tilbageslag.

Vær altid opmærksom på, om afskærmningen dækker klingens, før saven placeres på en bænk eller gulv. Hvis klingens ikke er dækket rigtigt, kan den dreje rundt på grund af træghed og skære det, der befinder sig i dens bane. Vær opmærksom på, at klingens bliver ved med at dreje rundt et stykke tid, efter motoren er standset.

Spalteknivens funktion

Brug den korrekte savklinge til spaltekniven. For at spaltekniven skal fungere, skal kroppen på klingens være tyndere end spaltekniven, og skærebredden for klingens skal være større end tykkelsen på spaltekniven.

Juster spaltekniven som beskrevet i denne instruktionsmanual. Ukorrekt mellemrum, positionering og justering kan gøre spaltekniven ineffektiv, hvad angår forebyggelse af tilbageslag.

For at spaltekniven kan fungere, skal den være aktiv i arbejdsemnet. Spaltekniven forhindrer ikke tilbageslag under korte snit.

Saven må ikke betjenes, hvis spaltekniven er bøjet. Selv en mindre forstyrrelse kan sænke lukkehastigheden på en afskærmning.

YDERLIGERE SIKKERHEDS- OG ARBEJDSINSTRUKTIONER

Brug aldrig silbeskiver.

Kontroller, at spaltekniven er justeret, så afstanden mellem spaltekniven og kanten på klingens ikke er mere end 5 mm, og at kanten på klingens ikke strækker sig mere end 5 mm ud over den nederste kant på spaltekniven.

Brug kun klingediameter(e) i overensstemmelse med mærkninger.

Find det korrekte savklinge til brug til det materiale, der skal skæres.

Brug kun savklinger afmærket med en hastighed svarende til eller højere end den hastighed, der er afmærket på værktøjet.

Brug kun savklinger anbefalet af fabrikanten, og som er i overensstemmelse med EN 847-1 ved brug til træ og tilsvarende materialer.

Bær støvmaske.

Emnet skal fastspændes med en fastspændingsanordning. Ikke-spændte emner kan forårsage alvorlige (person)skader.

Beskidte klingeskærme kan forhindre produktet i at fungere korrekt, hvilket kan medføre alvorlige personskader. Rengør klingeskærmen med trykluft for at sikre, at der ikke ophobes savstøv. Bær passende øjen- og åndedrætsværn.

Kontroller og sørg for, at klingeafskærmningen fungerer korrekt. Følg nedenstående trin for at kontrollere, at klingeafskærmningen fungerer korrekt.

- Sørg for, at batteriet er fjernet fra produktet.
- Tryk på venstre låseknap.
- Tag fat i forhåndtaget, og påfør et nedadgående tryk for at sænke og eksponere klingens.
- Lad langsomt forhåndtaget bevæges opad, indtil klingens er helt inde i afskærmningen.
- Sørg for, at klingeafskærmningen helt omslutter klingens.
- Hvis klingeskærmen eller fjederen ikke virker rigtigt, skal de repareres eller udskiftes, inden saven bruges.

Sluk straks for produktet, hvis det går i stå. Tænd ikke igen for produktet, efter at det er gået i stå. At tænde for det igen, kan forårsage tilbageslag med stor reaktionskraft. Slå fast, hvorfor produktet er gået i stå, og foretag udbedring af dette, og tag samtidig højde for sikkerhedsanvisningerne.

Fjern batteripakken inden start af arbejde på produktet.

YDERLIGERE SIKKERHEDSADVARSLER OM BATTERI

⚠ ADVARSEL! For at nedsætte risikoen for brand, personskade og produktbeskadigelse på grund af kortslutning må dit redskab, batteripakke eller oplader aldrig nedsænkes i en væske, ligesom væsker ikke må flyde ind i dem. Ætsende eller ledende væsker som havvand, visse industrikemikalier og blegemidler eller blegemiddelholdige produkter osv. kan forårsage en kortslutning.

Brugte batterier må ikke bortskaffes som husholdningsaffald eller afbrændes. AEG's forhandler tilbyder at modtage gamle batterier for at beskytte miljøet.

Batteripakker, der ikke er brugt i et stykke tid, skal genoplades inden brug.

For at opnå en optimal levetid for batteripakker skal de oplades fuldstændigt efter brug.

Ved opbevaring af batterier længere end 30 dage:

- Opbevar batteriet på et tørt sted med temperaturer under 27 °C.
- Opbevar batterierne i en 30% -50% opladet tilstand.
- Oplad batteriet som normalt hver sjette måned, når det opbevares.

Beskyttelse af batteripakken

Batteripakken har overbelastningsbeskyttelse, der beskytter den mod overbelastning og hjælper med at sikre en lang levetid.

Ved ekstrem belastning slukker batterielektronikken automatisk for produktet. For at genstarte slukkes produktet og tændes derefter igen. Hvis produktet ikke starter igen, kan batteripakken være helt afladet. Genoplad batteripakken.

Transport af lithium-batterier

Lithium-ion-batteriet er omfattet af lovgivningen om farligt gods.

Transport af de batterier skal foretages i overensstemmelse med lokale, nationale og internationale forskrifter og forordninger.

- Batterier kan transporteres på offentlig vej uden yderligere krav.

- Kommerciell transport af lithium-ion-batterier foretaget af tredjeparter er underlagt forordninger om farligt gods. Forberedelse af transport og selve transporten må kun forestås af behørigt uddannet personale, og processen skal ledsages af relevante fagfolk.

Ved transport af batterier:

- Kontrollér, at batteriets kontaktklemmer er beskyttet og isoleret for at forebygge kortslutning.
- Sørg for, at batteripakken er sikret mod bevægelse inden i emballagen.
- Undlad at transportere batterier med revner eller utætheder.
- Rådfør dig desuden hos speditøren.

KEND DIT PRODUKT

Se side 2-3.

1. Håndtag til dyk
2. Spindelås
3. Udvendig knivskive
4. Klingskrue
5. Støvport
6. Skruenøgle
7. Spaltekniv
8. Savklinge
9. Sporlemme
10. Fronthåndtag, isoleret gribeblade
11. Aflåseknap
12. Håndtag, isoleret gribeblade
13. Åfrækkerkontakt
14. Batteri
15. Knap til skæredybde
16. Negativ 1° bypass-glider
17. Spor
18. Håndtagsjusteringsknap
19. Smigvinkelindikator
20. Affaset 45° bypass-håndtag
21. Håndtag til facetlås
22. 0° affaset indstillingsskrue
23. Parallel indstillingsskrue
24. 45° affaset indstillingsskrue

VEDLIGEHOLDELSE

Undgå at bruge opløsningsmidler ved rengøring af plastdele. De fleste former for plastik er modtagelige for forskellige typer kommercielle opløsningsmidler og kan blive beskadiget ved deres anvendelse. Brug rene klude til at fjerne snavs, kulstøv osv.

Brug kun AEG-tilbehør og AEG-reservedele. Hvis komponenter, der ikke er blevet beskrevet, skal udskiftes, så kontakt et af vores AEG servicecentre (se vores liste over garanti-/serviceadresser).

Om nødvendigt kan der bestilles en eksploderet vishning af produktet. Angiv produkttypen og serienummeret, der er trykt på etiketten, og bestil tegningen hos dine lokale serviceagenter eller direkte på: Techtronic Industries GmbH, Max-Eyth-Straße 10, 71364 Winnenden, Germany.

SYMBOLER

	Læs anvisningerne omhyggeligt inden du starter produktet.
	Direkte strøm
	Bær høreværn.
	Bær en passende støvbeskyttelsesmaske.
	Brug øjenbeskyttelse.



Bær beskyttelseshandsker.



Hold hænderne væk fra skæreamrådet og den skarpe klinge.



Bortskaf ikke brugte batterier, elektriske dele og elektronisk udstyr som usorteret kommunalt affald.

Brugte batterier, kasserede elektriske dele og elektronisk udstyr skal indsamles separat.

Brugte batterier, affaldsakkumulatører og lyskilder skal fjernes fra udstyret.

Kontakt din lokale myndighed eller forhandler for rådgivning om genbrug og indsamlingssted.

Ifølge lokale bestemmelser er detailhandlere måske forpligtede til gratis at tage kasserede batterier, elektriske dele og elektronisk udstyr retur til bortskaffelse.

Dit bidrag til genbrug og genanvendelse af kasserede batterier, elektriske dele og elektronisk udstyr bidrager til at reducere efterspørgslen efter råmaterialer.

Kasserede batterier, navnlig indeholdende lithium, og kasserede elektriske dele og elektronisk udstyr indeholder værdifulde, genanvendelige materialer, som kan have en negativ indvirkning på miljøet og menneskers sundhed, hvis det ikke bortskaffes på en miljøvenlig måde.

Slet persondata fra eventuelt kasseret udstyr.

NO OVERSETTELSE AV DE ORIGINALE INSTRUKSJONENE

FORMÅLSMESSIG BRUK

Dykksagen er ment for kløvsaging og kryssaging av treverk eller liknende materialer opptil en maksimal dybde på 58,5 mm. Produktet kan utføre rette kutt eller skråkutt mellom 0 og 45 grader.

Produktet er designet for håndholdt bruk. Produktet skal ikke monteres på en arbeidsbenk. Bruk ikke produktet til å skjære i metall eller murverk.

Ikke bruk produktet på noe annen måte enn det som er beskrevet som tiltenkt bruk.

⚠ ADVARSEL! Les alle sikkerhetsadvarsler og -instruksjoner, illustrasjoner og spesifikasjoner som følger med dette produktet. Hvis forskriftene nedenfor ikke overholdes, kan det forårsake ulykker som brann, elektrisk støt og/eller alvorlige personskader.

Ta vare på alle advarsler og instruksjoner for fremtidig referanse.

SIKKERHETSADVARSLER FOR DYKKSAGEN

Sageprosedyrer

⚠ FARE: Hold hendene vekke fra skjæreamrådet og skjærebladet. Hånden som ikke holder verktøyet hovedhåndtak skal holde støtnehåndtaket eller ligge på motorhuset. Dermed risikerer ikke hendene dine å ligge i sageområdet, i bladets sagspor.

Ikke berør området under arbeidsstykket. Der kan ikke bladbeskytteren beskytte deg, da det ikke dekker bladet.

Still inn sage dybden alt etter arbeidsstykkets tykkelse. Bladets tenner skal ikke stikke helt ut under arbeidsstykket under sagingen.

Hold aldri arbeidsstykket i hendene eller over beina mens du kutter. Fest det på et stabilt underlag. Det er veldig viktig å feste arbeidsstykket riktig slik at du ikke utsetter deg selv for personskader og ikke å bøye bladet eller miste kontroll over verktøyet.



EN

DE

FR

IT

ES

PT

NL

NO

DA

SV

FI

EL

TR

CS

SK

PL

HU

SL

HR

LV

LT

ET

RU

BG

RO

MK

UK

AR

ⓘ

Hold det elektriske verktøyet etter de isolerte gripeoverflatene når det utføres en operasjon der kutteverktøyet kan komme i kontakt med skjult kabling. Kontakt med en strømførende ledning vil også gjøre de synlige metalldelene på verktøyet strømførende og gi brukeren elektrisk støt.

Bruk alltid et parallellanslag eller et rett trestykke når du kløyver. Sagingen blir mer presis og du unngår å bøye bladet.

Bruk alltid et blad som har en størrelse og en form som passer til spindelens diameter. Blader som ikke samsvarer med festemaskinverden på sagen, vil sage skjæft og gi tap av kontroll.

Bruk aldri skruer eller bladskiver som er defekte eller uegnet. Bladskiver og skruer er spesiallaget til din sagmodell, for optimal sikkerhet og ytelse.

Årsaker til tilbakeslag og tilhørende advarsler:

- Rekyll er en plutselig reaksjon på et klemt, fastkjørt eller feiljustert sagblad, som forårsaker at et ukontrollert sagblad løftes opp og ut av arbeidsstykket og mot operatøren.
- Når bladet er klemt eller godt fastkjørt med lukningen ned, stopper bladet, og motorreaksjonen driver enheten hurtig tilbake mot operatøren.
- Hvis bladet visr eller er dårlig stilt, kan tennene på baksiden av bladet trenge inn i treverket, noe som kan få bladet til å gå plutselig ut av arbeidsstykket mot brukeren.

Tilbakekast er altså forårsaket av gal bruk av verktøyet og/eller gale sageprosedyrer eller –forhold. Det kan unngås ved å ta visse forholdsregler.

Hold sagen godt med begge hender og legg armene dine slik at de kan kontrollere et eventuelt tilbakekast. Stå på den ene siden av sagen når du arbeider, men aldri i linje med bladet. Tilbakekast slynger plutselig sagen bakover, men denne bevegelsen kan kontrolleres hvis brukeren er forberedt.

Hvis bladet klemmes fast, eller hvis du av en eller annen grunn må avbryte sagingen, må du slippe av/på bryteren og holde sagen i arbeidsstykket helt til bladet har sluttet å rotere. Forsøk aldri å fjerne arbeidsstykket fra sagen eller trekke det bakover mens sagbladet fortsatt er i bevegelse idet dette kan føre til at sagbladet hogger i arbeidsstykket. Hvis bladet står fast, må du forsøke å finne årsaken og ta nødvendige foranstaltninger for at det ikke skal skje igjen.

Når du restarter sagen i arbeid, sentrere du sagbladet i enden, slik at sagtennene ikke er i kontakt med materialet. Hvis et sagblad binder, kan det gå opp eller hoppe tilbake fra arbeidsstykket når sagen startes på nytt.

Sørg for å støtte lange arbeidsstykker for å unngå at bladet låses fast og begrense faren for tilbakekast. Lange arbeidsstykker har lett for å bøyes under sin egne vekt. Du kan plassere støtter på begge sider av arbeidsstykket, i nærheten av sagsporet og ved arbeidsstykkets ende.

Bruk ikke sløve eller skadete blad. Blad som ikke er skjerpet eller som er dårlig montert vil lage et tynnere sagspor som vil forårsake for stor friksjon av bladet og dermed en større fare for vridning og tilbakekast.

Før du begynner et snitt, må du se etter at knappene for innstilling av dybde og kråstilling er låst godt fast. Hvis innstillingene av bladposisjonen endres under sagingen, kan bladet låses fast og det kan oppstå tilbakekast.

Vis ekstra forsiktighet når du sager inn i en vegg eller andre lukkede områder. Bladet kan komme bort i skjulte elementer, noe som kan medføre tilbakekast.

Vernefunksjon

Kontroller vernet for riktig lukking før hver bruk. Ikke bruk sagen hvis beskyttelsesskjermen ikke beveger seg fritt eller omslutter bladet umiddelbart. Klem eller bind aldri vernet slik at bladet er eksponert. Hvis sagen mistes på bakken ved et uhell, kan beskyttelsesskjermen bli bøyd. Kontroller at beskyttelsesskjermen beveger seg fritt og ikke rører bladet eller andre deler, i alle vinkler og sagsdybder.

Kontroller funksjonen og tilstanden til verneturfjæren. Hvis bladbeskytteren eller fjæren ikke fungerer riktig, må de repareres eller skiftes ut før sagen brukes. Beskyttelsesskjermen kan bevege seg tregt på grunn av skadede deler, klebrige avleiringer eller avfall som har bygget seg opp.

Sørg for at grunnplaten på sagen ikke beveger seg ved utføring av dykksaging. Bladforskynning sideveis vil forårsake binding og sannsynligvis rekyllvirkning.

Pass alltid på at beskyttelsesskjermen dekker bladet før du setter ned sagen på en benk eller på gulvet. Dersom bladet ikke er riktig tildekket, kan det gå rundt av seg selv og skjære det som befinner seg i sagbanen. Du må være klar over at bladet fortsetter å gå rundt en liten stund etter at motoren har stoppet.

Spalteknivfunksjon

Bruk egnet sagblad for spaltekniven. For at spaltekniven skal fungere, må bladet være tynnere enn spaltekniven, og kuttebredden på bladet må være bredere enn tykkelsen til spaltekniven.

Juster spaltekniven som beskrevet i denne anvisningen. Feil avstand, posisjonering og innjustering kan gjøre spaltekniven ineffektiv med hensyn til å forhindre rekyll.

For at spaltekniven skal fungere, må den aktiveres på arbeidsplassen. Spaltekniven fungerer ikke for å forhindre kickback ved korte kutt.

Ikke bruk sagen hvis spaltekniven er bøyd. Selv en liten forstyrrelse kan redusere lukkehastigheten til et vern.

EKSTRA SIKKERHETS- OG ARBEIDSANVISNINGER

Bruk aldri slipeskive.

Se til at spaltekniven er justert slik at avstanden mellom spaltekniven og kanten på bladet ikke er mer enn 5 mm, og kanten på bladet ikke strekker seg mer enn 5 mm utenfor laveste kant på spaltekniven.

Bruk kun bladdiameter(e) i samsvar med merkningene.

Identifiser riktig sagblad som skal brukes for å kappe materialet.

Bruk kun de sagbladene som er merket med en fart som er lik eller høyere enn farten som er angitt på sagen.

Bruk kun sagblader som anbefales av produsenten, som samsvarer med EN 847-1, hvis beregnet til tre og lignende materialer.

Bruk støvmaske.

Fest arbeidsstykket med en tvinge. Ikke festede emner kan påføre alvorlig personskade og materielle skader.

Skitne verneinnretninger kan begrense korrekt bruk av produktet, med alvorlig personlig skade som resultat. Rens verneinnretningene med trykkluft for å sikre at det ikke samler seg sagstøv. Bruk korrekt øye- og åndedrettsvern.

Kontroller og se til at bladbeskyttelsen fungerer som den skal. Følg trinnene under for å kontrollere riktig funksjon av bladbeskyttelsen.

- Sørg for at batteri er fjernet fra produktet.
- Trykk på lås-av-knappen.
- Grip fronthåndtaket og påfør nedovertrykk for å senke og eksponere bladet.
- La forsiktig fronthåndtaket stige til bladet er helt inne i vernet.
- Se til at bladbeskyttelsen omgir bladet helt.
- Hvis bladbeskytteren eller fjæren ikke fungerer riktig, må de repareres eller skiftes ut før sagen brukes.

Slå av produktet umiddelbart hvis det stopper. Skru ikke på produktet igjen etter at det har stoppet. Å skru det på igjen kan forårsake et tilbakeslag med høy reaksjonskraft. Avgjør hvorfor produktet har stoppet og utbedre dette, samtidig som sikkerhetsanvisningene overholdes.

Fjern batteripakken før du starter arbeid på produktet.

EKSTRA ADVARSLER FOR BATTERISIKKERHET

⚠ ADVARSEL! For å redusere risikoen for brann, personskade og produktskade på grunn av en kortslutning skal verktøyet, batteripakken eller laderen aldri senkes ned i væske, og væske skal aldri flyte inn på innsiden av disse. Korrosive eller ledende væsker, slik som sjøvann, visse industrielle kjemikalier og blekemiddel eller blekemiddelholdige produkter osv. kan forårsake kortslutning.

Ikke brenn kast brukte batterier sammen med husholdningsavfall. Skal ikke brennes. Utladete batterier kan leveres til AEG-distributører.

Batteripakker som ikke har vært bruk på en stund bør lades opp før du bruker dem.

Batteripakkene må lades helt opp etter bruk hvis du ønsker at de skal vare lengst mulig.

For batteripakkelagring som er lengre enn 30 dager:

- Oppbevar batteripakken der temperaturen er under 27 °C og på avstand fra fuktighet.
- Oppbevar batteripakken ei en 30-50 % ladet tilstand.
- Batteripakken må lades som normalt hver sjettede måned under lagring.

Beskyttelse av batteripakken

Batteripakken har overbelastningsvern for å beskytte den mot overbelastning og hjelper til med å sikre en lang levetid.

Under ekstrem belastning slår batterielektronikken av produktet automatisk. For å starte på nytt, slå av produktet og deretter på igjen. Hvis produktet ikke starter opp igjen, kan det hende at batteripakken kan ha ladet helt ut. Lad opp batteripakken.

Transportere litium-batterier

Litium ion-batteri omfattes av lovgivning for farlig gods.

Transport av disse batteriene må gjøres i samsvar med lokale, nasjonale og internasjonale bestemmelser og forskrifter.

- Batterier kan transporteres på vei uten ytterligere krav.
- Kommersiell frakt av Lithium-Ion-batterier er underlagt bestemmelsene om transport av farlig gods. Klargjøring av transporten og transporten kan kun utføres av passende opplærte personer og prosessen må følges av tilsvarende kvalifiserte eksperter.

Ivertsatt følgende tiltak når du frakter batteriene:

- Påse at batterienes kontaktterminaler er beskyttet og isolert for å hindre kortslutning.
- Se til at batteripakken er sikret mot bevegelse inni pakningen.
- Ikke transportert batterier som har sprekker eller lekket.
- Sjekk med transportfirmaet for ytterligere råd.

KJENN PRODUKTET DITT

Se side 2-3.

1. Styrespak for dykk
2. Spindellås
3. Stoppskive for ytterblad
4. Bladskruer
5. Støvpott
6. Skiftenøkkel
7. Spaltekniv
8. Sagblad
9. Sporlemme
10. Fronthåndtak, isolert gripeoverflate
11. Låseknapp
12. Håndtak, isolert gripeoverflate
13. Utløserbryter
14. Batteri
15. Knapp for sagdybde
16. Gliidestykke for vinkel over negativ 1°
17. Spor
18. Knapp for skinnejustering
19. Skråindikator
20. Bryter for skråstilling over 45°
21. Høvellåsknast
22. Festeskruer for skråstilling til 0°
23. Parallell festeskruer
24. Festeskruer for skråstilling til 45°









VEDLIKEHOLD

Unngå bruk av løsemidler ved rengjøring av plastdeler. De fleste plasttyper er følsomme overfor ulike typer kommersielle løsemidler og kan skades av bruken av disse. Bruk rene kluter for å fjerne smuss, karbonstøv osv.

Bruk bare tilbehør og reservedeler fra AEG. Kontakt en av AEG-serviceagentene våre hvis du må erstatte deler som ikke er omtalt her (se listen over garanti/serviceadresser).

Ved behov kan en eksplosjonsvisning av produktet bestilles. Angi produkttype og serienummer som er skrevet på etiketten og bestill tegningen ved den lokale serviceagenten eller direkte på: Techtronic Industries GmbH, Max-Eyth-Straße 10, 71364 Winnenden, Germany.

SYMBOLER

	Les anvisningene nøye før start av produktet.
	Likestrøm
	Bruk hørselsvern.
	Bruk egnet støvbeskyttelsesmaske.
	Bruk vernebriller.
	Bruk vernehansker
	Hold hendene unna skjærområdet og det skarpe bladet.
	Ikke kast avfallsbatterier, elektrisk og elektronisk utstyrsavfall som usortert kommunalt avfall. Avfallsbatterier og elektrisk og elektronisk utstyrsavfall må samles inn separat. Avfallsbatterier, avfallsakkumulatorer og lyskilder må fjernes fra utstyret.
	Forhør deg med de lokale myndighetene for resirkuleringsråd og innsamlingspunkt.
	I henhold til lokale forskrifter kan forhandlere være forpliktet til å ta tilbake avfallsbatterier, elektrisk og elektronisk utstyrsavfall gratis.
	Ditt bidrag til gjenbruk og gjenvinning av avfallsbatterier, elektrisk og elektronisk utstyrsavfall bidrar til å redusere etterspørselen etter råmaterialer.
	Avfallsbatterier, spesielt de som inneholder litium og elektrisk og elektronisk utstyrsavfall inneholder verdifulle, resirkulerbare materialer som kan påvirke miljøet og menneskets helse negativt, hvis de ikke blir kastet på en miljøkompatibel måte.
	Slett personlig data fra utstyrsavfall, om noen.

SV ÖVERSÄTTNING AV ORIGINALINSTRUKTIONERNA

ANVÄND MASKINEN ENLIGT ANVISNINGARNA

Cirkelsågen är avsedd för sågning i och kapning av trä och liknande material upp till maximalt djup på 58,5 mm. Du kan göra raka och fasade snitt mellan 0 och 45 grader.

Produkten är utformad för bärbar användning. Produkten ska inte monteras på en arbetsbänk. Använd inte produkten för metall- eller murbruksarbeten.

Använd inte produkten på något annat sätt än vad som är avsett.

⚠ VARNING! Studera alla säkerhetsvarningar och -instruktioner, illustrationer och specifikationer som följer med denna produkt. Underlåtenhet att respektera dessa föreskrifter kan leda till olyckor som brand, elektriska stötar och/eller allvarliga kroppsskador.

Spara alla varningar och instruktioner för framtida bruk.



Kapningsförfaranden

⚠ FARA: Håll händerna borta från bladet och arbetsområdet. Handen som inte håller i verktygets huvudhandtag ska antingen hålla i hjälphandtaget eller placeras på motorhuset. Det finns då ingen risk för att händerna befinner sig inom skärområdet, i sågklingans bana.

Sträck dig inte in under arbetsstycket. på denna plats kan skyddsskåpan inte skydda dig, för den täcker inte klingan.

Ställ in skärdjupet beroende på arbetsstyckets tjocklek. Tänderna på sågklingan får inte helt skjuta ut under arbetsstycket under sågningen.

Håll aldrig arbetsstycket i dina händer eller över ditt ben när du skär. Fäst det på ett stadigt underlag. Det är av största vikt att fästa arbetsstycket stadigt, för att undvika risker för kroppsskador och att inte böja sågklingan, för att inte förlora kontrollen över verktyget.

Håll elverktiget i de isolerade greppytorna vid utförande av ett arbete där skärverktiget kan komma i kontakt med dolda ledningar. Kontakt med strömförande kabel gör metalldelar på verktyget strömförande och kan ge användaren en elektrisk stöt.

Använd alltid ett parallellanslag eller ett rakt stöd då du utför ett parallellsnitt. Skärprecisionen blir bättre och du undviker att böja sågklingan.

Använd alltid sågklingor vars storlek och form är anpassade till axelns fästhål. Blad som inte matchar infattningen i sågen kommer att arbeta ocentrerat och användaren kan därför inte styra sågen.

Använd aldrig defekta eller olämpliga skruvar eller flansar för sågklingorna. Flänsarna och skruvarna har konstruerats speciellt för din sågmodell, för optimal säkerhet och optimala prestanda.

Orsaker till bakslag och relaterade varningar:

- återstuds är en plötslig reaktion på ett fastklämt eller felinriktat sågblad, vilket orsakar en okontrollerad såg att lyftas upp och bort från arbetsstycket mot operatören;
- när bladet kläms fast för hårt i sågsnittets nedstängning, låser sig bladet och motorreaktionen driver enheten snabbt mot operatören;
- Om sågklingan vrids eller är felaktigt inställd, riskerar tänderna som finns på baksidan av den att sjunka in i träytan, vilket gör att sågklingan plötsligt kommer ut ur arbetsstycket i riktning mot användaren.

Ett bakslag är alltså resultatet av en felaktig användning av verktyget och/eller av felaktiga arbetsmetoder eller arbetsförhållanden. Det kan undvikas genom att vidta några försiktighetsåtgärder.

Håll stadigt i sågen med båda händerna och placera armarna så att de kan kontrollera ett eventuellt bakslag. Stå på den ena sidan av sågen då du arbetar, aldrig i linje med sågklingan. Bakslaget slungar plötsligt sågen bakåt, men denna rörelse kan kontrolleras om användaren är förberedd på den.

Om sågklingan kllas fast eller om du måste avbryta arbetet av någon orsak, släpp strömbrytaren och håll sågen kvar i arbetsstycket ända tills sågklingan helt slutat att rotera. Försök aldrig att ta bort sågklingan från arbetsstycket, eller att dra sågklingan bakåt, samtidigt som klingan roterar; ett återkast kan ske. Om sågklingan kllas fast, ta reda på orsaken och vidta nödvändiga åtgärder för att detta inte upprepas.

När sågen ska startas om i arbetsstycket ska den centreras i sågsnittet så att tänderna inte sitter fast i materialet. Om ett sågblad fastnar, kan det röra sig uppåt eller återstudsas från arbetsstycket när sågen startas om.

Kom ihåg att stöda långa arbetsstycken för att undvika att sågklingan kllas fast och för att begränsa riskerna för bakslag. Långa arbetsstycken tenderar att böja sig under sin egen vikt. Du kan placera stöd på båda sidorna av arbetsstycket, nära skärinjen och vid änden av arbetsstycket.

Använd inte slöa eller skadade sågklingor. Ovassa eller fel monterade sågklingor ger ett smalt sågspår som leder till en extrem friktion av sågklingan och till större risker för vridning och bakslag.

Kontrollera innan du börjar arbeta att knapparna för inställning av skärdjup och lutning är stadigt låsta. Om inställningarna av sågklingans läge ändras under arbetet kan sågklingan fastna och ett bakslag uppstå.

Var extra försiktig vid sågning i befintliga väggar eller andra dolda ytor. Sågklingan kan stöta till dolda komponenter, vilket leder till bakslag.

Skyddsfunktion

Kontrollera skyddet för korrekt stängning före varje användning. Använd inte sågen om skyddet inte rör sig fritt och omedelbart omsluter klingan. Spänn eller fäst aldrig skyddet så att bladet exponeras. Om du tappar sågen kan skyddet böjas. Kontrollera att skyddet rör sig fritt och inte är i kontakt med klingan eller någon annan del, för alla vinklar och skärdjup.

Kontrollera returfljaderskyddets funktion och skick. Om skyddsskåpan eller fjädern inte fungerar normalt, låt dem repareras eller bytas ut innan du använder sågen. Skyddet kan gå trögt på grund av skadade delar, gummiavlagringar och ansamling av skräp.

Kontrollera att inte bottenplattan på sågen rör sig när du gör ett instick. Bladförskjutning i sidled kommer göra att den fastnar och troligtvis återstudsar.

Skyddet måste täcka klingan innan du placerar sågen på en bänk eller golvet. Om sågklingan inte är korrekt täckt, kan den rotera av tröghetskraften och säga det som befinner sig i dess bana. Var medveten om att sågklingan fortsätter att rotera en stund efter att motorn stängts av.

Rivningsknivens funktion

Använd lämpligt sågblad för rivningskniven. För att rivningskniven ska fungera måste bladkroppen vara tunnare än rivningskniven och sågens skärbredd vara bredare än rivningsknivens tjocklek.

Justera rivningskniven såsom beskrivs i denna instruktionsmanual. Felaktigt mellanrum, felaktig positionering och inriktning kan göra rivningskniven ineffektiv när det kommer till att förhindra återstuds.

För att rivningskniven ska fungera, måste den gripa tag i arbetsstycket. Klyvkniven är ineffektiv för att förhindra bakkast vid korta snitt.

Använd inte sågen om klyvkniven är böjd. Även en mindre störning kan sakt ner skyddets stängningshastighet.

YTTERLIGARE SÄKERHETS OCH ARBETSINSTRUKTIONER

Använd aldrig en slipskiva.

Säkerställ att rivningskniven är justerad så att avståndet mellan rivningskniven och bladets kant inte är mer än 5 mm, och att bladets kant inte sträcker sig mer än 5 mm bortom den lägsta kanten av rivningskniven.

Använd endast bladdiameter i enlighet med markeringarna. Identifiera korrekt sågblad att använda till materialet som ska skäras. Använd endast sågblad som är markerade med en hastighet som är lika eller högre än hastigheten som anges på verktyget.

Använd endast sågblad som rekommenderas av tillverkaren, som överensstämmer med EN 847-1, om avsett för trä och analogt material.

Använd dammskydd.

Fest arbetsstycket med klämanordning. Icke fastklämda arbetsstycken kan orsaka allvarliga skador och skada på egendom.

Smutsiga bladsydd kan kan hindra produkten från att fungera ordentligt och därmed orsaka allvarlig personskada. Rengör bladsyddet med tryckluft för att säkerställa att sågsåpan inte ansamlas. Använd skyddsglasögon och andningsskydd.

Kontrollera att bladsyddet fungerar korrekt. Följ stegen nedan för att kontrollera att bladsyddet fungerar som det ska.

- Säkerställ att batteriet är utplockat från produkten.
- Tryck på avstängningsknappen.
- Fatta tag i det främre handtaget och tryck nedåt för att sänka och exponera bladet.
- Låt långsamt det främre handtaget stiga tills bladet är helt innanför skyddet.
- Säkerställ att bladsyddet omsluter bladet helt.
- Om skyddsskåpan eller fjädern inte fungerar normalt, låt dem repareras eller bytas ut innan du använder sågen.

Stäng av produkten omedelbart om den låser sig. Slå inte på produkten igen efter att den har fått motorstopp. Att sätta på den igen kan orsaka en kraftig återstuds. Fastställ varför

motorn stannade och åtgärda det, samtidigt som du beaktar säkerhetsanvisningarna.

Ta bort batteripaketet innan du påbörjar arbete på produkten.

YTTERLIGARE SÄKERHETSVARNINGAR FÖR BATTERIER

⚠ VARNING! För att minska risken för brand, personskador och produktskador på grund av kortslutning, sänk aldrig ner verktyget, batteripaketet eller laddaren i vätska och låt inte vätska tränga in i dem. Korrosiva eller ledande vätskor, som havsvatten, vissa industrikemikalier och blekmedel eller produkter som innehåller blekmedel etc. kan orsaka kortslutning.

Kasta inte förbrukade batterier i hushållssoptorna eller genom att bränna dem. AEG Distributörer erbjuder sig att ta hand om gamla batterier för att skydda vår miljö.

Batteripaket som inte har använts under någon tid skall laddas före användning.

För optimal livslängd skall batteripaketet laddas upp helt och hållet efter användning.

För batteripaket som förvaras längre än 30 dagar:

- Förvara batteripaketet där temperaturen är under 27 °C och i en fuktfri miljö.
- Förvara batteripaketet i ett laddningstillstånd mellan 30-50 %.
- Ladda batteripaketet som vanligt var sjätte månad.

Skydd för batteripaket

Batteripaketet har ett överbelastningskydd som skyddar det från att överbelastas och hjälper till att säkerställa lång livslängd.

Vid extrem påfrestning stänger batterielektroniken av produkten automatiskt. För att starta om produkten, stäng av den och slå på den igen. Om produkten inte startar upp igen kanske batteripaketet är helt urladdat. Återladda batteripaketet.

Transportera litiumbatterier

Litiumionbatteriet ska hanteras som farligt gods.

Transport av dessa batterier måste ske i enlighet med lokala, nationella och internationella bestämmelser och föreskrifter.

- Batterier kan utan speciella krav transporteras på väg.
- Kommersiell transport av litium-jon-batterier genom tredje part lyder under bestämmelser om farligt gods. Transportförberedelse och transport får enbart utföras av därför utbildade personer och processen ska övervakas av motsvarande experter.

Vid transport av batterier:

- Se till att batteriernas kontaktkonterminaler är skyddade och isolerade så att kortslutning förhindras.
- Säkerställ att batteripaketet inte kan röra sig inuti förpackningen.
- Transportera inte batterier som är spruckna eller läcker.
- Kontrollera med vidarebefordrande företag för mer information.

LÄR KÄNNA DIN PRODUKT

Se sidan 2-3.

1. Spak för insticksdjup
2. Spindelåls
3. Yttre klingbricka
4. Bladskruv
5. Dammport
6. Skruvnyckel
7. Rivningskniv
8. Sägblad
9. Spårklämma
10. Främre handtag, isolerad greppyta
11. Avstängningsknapp
12. Handtag, isolerad greppyta
13. Brytarknapp
14. Batteripaket
15. Knapp för skärdjup
16. Reglage för förbikoppling till -1°
17. Spår
18. Ratt för spårjustering
19. Fasindikator
20. Spak för förbikoppling över 45°
21. Faslåsvred
22. Inställningsskruv för 0°
23. Skruv för parallellinställning
24. Inställningsskruv för 45°

UNDERHÅLL

Använd inte lösningsmedel vid rengöring av plastdelar. De flesta plaster är känsliga för olika typer av kommersiella lösningsmedel och kan skadas genom användningen av dessa. Använd rena dukar för att avlägsna smuts, koldamm osv.

Använd endast tillbehör och reservdelar från AEG. Om komponenter som inte har beskrivits här behöver ersättas, var vänlig kontakta ett av våra AEG serviceombud (se vår förteckning över garanti-/serviceadresser).

Vid behov kan en sprängskiss av produkten beställas. Ange produkttyp och serienummer (finns tryckta på märkningen) och beställ ritningen från ditt lokala serviceombud eller direkt på: Techtronic Industries GmbH, Max-Eyth-Straße 10, 71364 Winnenden, Germany.

SYMBOLER

	Läs anvisningarna noggrant innan du startar produkten.
	Likström
	Bär hörselskydd.
	Bär en lämplig dammskyddsmask.
	Använd skyddsglasögon.
	Bär skyddshandskar.
	Håll händerna borta från skärområdet och det vassa bladet.
	Kassera inte uttjänta batterier, elavfall och elektronisk utrustning som restavfall. Uttjänta batterier, elavfall och elektronisk utrustning måste samlas in separat. Uttjänta batterier, uttjänta ackumulatorer och ljuskällor måste avlägsnas från utrustningen.
	Fråga din lokala myndighet eller återförsäljare för återvinningsråd och uppsamlingsplats. Beroende på lokala bestämmelser kan återförsäljare vara skyldiga att kostnadsfritt ta tillbaka uttjänta batterier, elavfall och elektronisk utrustning. Ditt bidrag till återanvändning och återvinning av elavfall, uttjänta batterier och elektronisk utrustning bidrar till att minska behovet av råmaterial. Uttjänta batterier, särskilt litiumbatterier, samt elavfall och elektronisk utrustning innehåller värdefulla, återvinningsbara material som kan påverka miljön och människors hälsa negativt, om de inte kasseras på ett miljömässigt sätt. Radera eventuella personuppgifter från avfallsutrustningen.



- EN
- DE
- FR
- IT
- ES
- PT
- NL
- DA
- NO
- SV
- FI
- EL
- TR
- CS
- SK
- PL
- HU
- SL
- HR
- LV
- LT
- ET
- RU
- BG
- RO
- MK
- UK
- AR



KÄYTTÖTARKOITUS

Upotussaha on tarkoitettu puun tai vastaavien materiaalien pitkittäiseen ja poikittaiseen sahaamiseen enintään 58,5 mm:n syvyyteen asti. Tuotteella voidaan tehdä suoria tai viistoja leikkauksia kulmassa 0–45°.

Kone on suunniteltu käsin pidettäväksi. Konetta ei ole tarkoitettu työpöytäan asennettavaksi. Älä leikkaa tuotteella metallia tai tiiltä.

Älä käytä tätä tuotetta millään muulla tavalla kuin mihin se on tarkoitettu.

VAROITUS! Lue kaikki laitteen mukana toimitetut turvaohjeet, kuvat ja tekniset tiedot. Näiden ohjeiden laiminlyönti voi aiheuttaa onnettomuuksia kuten tulipalon, sähköiskun ja/tai vakavia ruumiinvammoja.

Säälytä kaikki varoitukset ja ohjeet, koska voit vielä tarvita niitä.

UPOTUSSAHAN TURVALLISUUSVAROITUKSET**Katkaiseminen**

VAARA: Älä kosketa leikkuualuetta tai terää. Käsi, joka ei ole työkalun peruskahvalla on pidettävä lisäkahvalla tai asetettava moottorin suojukselle. Näin kädet eivät pääse leikkuualueelle, terän kulkureitille.

Älä kurota työkalupäälle alle. Teränsuojus ei voi tällöin suojata käsiä, koska se ei peitä terää.

Sovita sahausvyvyys työkalupäälle paksuuden mukaisesti.

Terän hampaisto ei saa tulla kokonaan työkalupäälle yli leikkauksen aikana.

Älä koskaan pidä työkalupäätä leikattaessa käsissäsi tai tue sitä jalalla. Kiinnitä se tukevalle kannattimelle. Työkalupäälle on ehdottomasti kiinnitettävä oikein loukkaantumismaaraan ehkäisemiseksi ja ettei terä pääsiisi taipumaan, jolloin vaarana on työkalun hallinnan menettäminen.

Pitele sähkötyökäluu eristetyistä pitopinnoista, kun käytät sitä olosuhteissa, joissa sen terä saattaa koskea piilotettuja johtoja. Jos sähkötyökäluu koskettaa sähköistettyä johtoa, työkalun metalliosat voivat sähköistyä ja aiheuttaa käyttäjälle sähköiskun.

Kun teet halkaisua, käytä aina rinnakkaista leikkuuohjainta tai suoraa reunalistaa. Leikkuutuloks paranee ja terä ei pääse taipumaan.

Käytä aina akselille sopivia teräkokoja ja -muotoja. Terät, jotka eivät vastaa sahan kiinnityslaitetta, liikkuvat sivulle aiheuttaen hallinnan menetyksen.

Älä koskaan käytä viallisia tai sopimattomia terän ruuveja ja laippoja. Terän laipat ja ruuvit on suunniteltu kyseessä olevalle sahamallille optimaalisen turvallisuuden ja tehokkuuden takaamiseksi.

Takapotku ja siihen liittyvät varoitukset:

- takaisku on äkillinen reaktio, joka johtuu puristuksiin joutuneesta, jumittuneesta tai epäkohdistuneesta sahanterästä, ja se saa aikaan sahan hallitsemattoman nousun pois työkalupäalestä käyttäjää kohden;
- jos terä puristuu tai jumittuu tiukasti sahausraon sulkeutuessa, terä pysähtyy ja moottorin toiminta tuo yksikön nopeasti takaisin käyttäjää kohden;
- Jos terä vääntyy tai on huonosti linjattu, terän takahampaisto voi uppoutua puun pintaan, jonka seurauksena terä irtaantuu äkkiä yöstettävästä kappaleesta käyttäjää kohti.

Takaisku aiheutuu siis työkalun huonosta käytöstä ja/tai vääristä sahausmenetelmistä tai -olosuhteista. Tämä voidaan ehkäistä varokeinoja noudattamalla.

Pidä sahasta tukevasti kaksin käsin ja käsivarret niin, että voit hallita mahdollisen takaiskun. Asetu sahan jommallekummalle puolelle, älä koskaan asetu terää vastapäätä. Takaisku sinkoa sahan äkkikipakaisesti taaksepäin. Tätä liikettä voidaan kuitenkin hallita, jos käyttäjä on siihen varautunut.

Jos terä juuttuu tai joudut jostain syystä keskeyttämään sahuksen, vapauta liipaisin ja pidä sahaa työkalupäälle kunnes terä lakkaa kokonaan pyörimästä. Älä koskaan yritä irrottaa sahaa työkalupäleestä tai vedä sahaa taaksepäin terän pyöriessä, muutoin voit aiheuttaa takapotkun. Jos terä juuttuu,

eitsi syy ja noudata tarvittavia toimia, ettei näin pääse tapahtumaan uudelleen.

Kun käynnistät sahan uudelleen työkalupäleessä, keskitä sahanterä uraan niin, että sahan hampaat eivät ole kiinni materiaalissa. Jos sahanterä jumittuu, se voi nousta tai iskeytyä taaksepäin työkalupäleestä, kun saha käynnistetään uudelleen.

Kannata pitkiä kappaleita, ettei terä pääse tarttumaan, jolloin välttää takaiskuvaaran. Pitkillä työkalupäleillä on taipumusta keinua oman painovoiman johdosta. Voit asettaa kannattimia työkalupälele molemmille puolille, lähelle leikkuuviivaa ja kappaleen päätyä.

Älä käytä tulsyöneitä tai viallisia teriä. Tulsyt tai huonosti asennetut terät tekevät ohuen jäljen, aiheuttaen liiallista kirkkaa, jonka seurauksena on suurempi vääntymis- ja takaiskuvaara.

Tarkasta ennen sahuksen aloitusta, että sahausvyvyden ja kaltevuuden säätönäpit ovat oikein lukituina. Jos terän asentoa säädöt muuttuvat sahuksen aikana, on vaarana terän tarttumisen ja takaiskun ilmaantuminen.

Ole erittäin varovainen sahatessasi olemassa oleviin seinämiin tai muihin sokeisiin kohtiin niiden keskeltä alkavaa leikkausta. Terä voi osua pihlassa oleviin esteisiin, mikä aiheuttaa takaiskun.

Suojuksen toiminta

Tarkista, että suojuus sulkeutuu kunnolla ennen kutakin käyttökertaa. Älä käytä sahaa, jos suojuus ei liiku vapaasti ja peitä terää välittömästi. Älä koskaan purista tai sido suojuusta siten, että terä on esillä. Jos saha putoaa vahingossa, suojuus voi vääntyä. Tarkista, että suojuus liikkuu vapaasti eikä kosketa terää tai muita osia missään kulmassa tai leikkaussyvytydessä.

Tarkista suojuksen paluujousen toiminta ja kunto. Jos teränsuojus tai jousi ei toimi oikein, korjauta tai vaihda ne ennen sahan käyttöä. Suojus saattaa toimia hitaasti, jos siinä on vaurioituneita osia, tahmeita kertymiä tai roskia.

Varmista, että sahan pohjavei ei siirry upotusleikkauksen aikana. Terän siirtyminen sivuttaissuunnassa johtaa taipumiseen ja todennäköisesti takaiskuun.

Varmista aina ennen sahan asettamista pöydälle tai lattialle, että suojuus peittää terän. Jos terä ei peity hyvin, se voi pyöriä inertiavoimalla ja leikata kaiken kulkureitillä olevan. Ole tietoinen siitä, että terä jatkaa pyörimistä vielä hetken aikaa moottorin sammutuksen jälkeen.

Halkaisuveitsen toiminta

Käytä halkaisuveitselle sopivaa sahanterää. Jotta halkaisuveitsi toimisi, terän rungon on oltava halkaisuveitsistä oheuempi ja terän leikkuuleveyden on oltava suurempi kuin halkaisuveitsen paksuus.

Sääädä halkaisuveitsi tässä käyttöoppaassa kerotulla tavalla. Virheelliset välit, aseointi ja kohdistus voivat tehdä halkaisuveitsistä tehottoman takaiskun estossa.

Jotta halkaisuveitsi toimisi, se on kiinnitettävä työstökalupäleeseen. Halkaisukililla ei kykene estämään takapotkua lyhyiden leikkausten aikana.

Älä käytä sahaa, jos halkaisukililla on taipunut. Lieväkin häiriö voi hidastaa suojuksen sulkeutumisopeutta.

TURVALLISUUTTA JA KÄYTTÖÄ KOSKEVAT LISÄOHJEET

Älä koskaan käytä hiomalaikkaa.

Tarkista, että halkaisuveitsi on säädetty siten, että halkaisuveitsen ja terän reunan välissä on enintään 5 mm ja että terän reuna ei ulotu enempää kuin 5 mm halkaisuveitsen alareunaan yli.

Käytä ainoastaan merkintöjen mukaista terän läpimittaa.

Valitse käytettävä sahanterä leikattavan materiaalin mukaan.

Käytä ainoastaan terää, johon on merkitty sama tai suurempi nopeus kuin työkalussa.

Käytä ainoastaan valmistajan suosittelemia ja EN 847-1 -standardia vastaavia sahanterä, jos niitä on tarkoitus käyttää puulle ja vastaaville materiaaleille.

Käytä polyenamaria.

Kiinnitä työkalupäle paikolleen puristimella. Kiinnittämätön työkalupäle voi aiheuttaa vakavan vamman ja vaurioita.

Likaiset teräsuojukset voivat rajoittaa tuotteen asianmukaista toimintaa ja aiheuttaa vakavia henkilövahinkoja. Puhdista

teräsuojukset paineilmalla, jotta niihin ei kerääny sahanpurua. Käytä asianmukaisia silmä- ja hengityssuojaimia.

Tarkista ja varmista, että teräsuojus toimii kunnolla. Seuraa alla olevia ohjeita tarkistaaksesi teräsuojuksen oikean toiminnan.

- Varmista, että akku on irrotettu tuotteesta.
- Paina lukituksen avauspainiketta.
- Tartu etukahvaan ja paina alaspäin laskeaksesi ja paljastaaksesi terän.
- Anna etukahvan nousta hitaasti, kunnes terä on kokonaan suojuksen sisällä.
- Varmista, että teräsuojus sulkee terän kokonaan sisäänsä.
- Jos teräsuojus tai jousi ei toimi oikein, korjauta tai vaihda ne ennen sahan käyttöä.

Sammuta oksasaha välittömästi, jos se jumittuu. Älä kytkä laitetta uudelleen päälle, kun se on pysähtynyt. Käynnistäminen uudelleen saattaa aiheuttaa takapotkun suurella reaktiivoimalla. Selvitä, miksi laite pysähtyi, ja korjaa tilanne noudattaen turvallisuusohjeita.

Irrota akkuyksikkö laitteesta ennen kuin teet siihen mitään toimenpiteitä.

MITA AKUN TURVALLISUUSVAROITUKSIA

VAROITUS! Jotta oikosulusta aiheutuva tulipalon, loukkaantumisen ja tuotevaurion riski olisi pienempi, älä koskaan upota työkalua, akkuyksikköä tai laturia nesteeseen tai päästä nesteitä niiden sisälle. Syövyttävät ja sähköä johtavat nesteet, kuten merivesi, tietyt teollisuuskemikaalit ja valkaisuaine tai valkaisuainetta sisältävät tuotteet jne. voivat aiheuttaa oikosulun.

Älä hävitä akkuja talousjätteiden seassa tai polttamalla. AEG:n tuotejakelijat ottavat takaisin vanhat akut ympäristön suojelemiseksi.

Jos akkupakkauksia ei ole käytetty vähään aikaan, ne on ladattava uudelleen ennen käyttöä.

Akkupakkausten käyttöäin optimoimiseksi ne on ladattava täyteen, käytön jälkeen.

Jos akkupakkaus on varastoituna yli 30 päivää:

- Säilytä akkupakkausta paikassa, jossa ei ole kosteutta ja jossa lämpötila on alle 27 °C.
- Säilytä akkupakkauksia 30 %:n - 50 %:n varaustilassa.
- Lataa varastoituna oleva akku kuuden kuukauden välein normaalisti.

Akkupakkauksen suojaaminen

Akkupakkauksessa on ylikuormitusuoja, joka suojaa sitä ylikuormitukselta ja auttaa varmistamaan pitkän käyttöäin.

Äärimmäisessä rasituksessa akun elektroniikka sammuttaa laitteen automaattisesti. Kun haluat jatkaa, sammuta laite ensin ja käynnistä sitten heti uudelleen. Jos laite ei käynnisty uudelleen, akkupakkaus on saattanut purkautua kokonaan. Lataa akkupakkaus uudelleen.

Litiumakkujen kuljettaminen

Litiumioniakku on vaarallisten tuotteiden lainsäädännön alainen.

Akkujen kuljettamisessa on noudatettava paikallisia, kansallisia ja kansainvälisiä säännöksiä ja määräyksiä.

- Akkuja voidaan kuljettaa maanteillä ilman lisävaatimuksia.
- Litiumioniakkujen kaupallinen kuljetus kolmansien osapuolten toimesta on vaarallisten aineiden säännösten alainen. Kuljetusvalmistelut ja kuljetus vaativat yksinomaan asianmukaisesti koulutettua henkilöstöä, ja vastaavien asiantuntijoiden on valvottava toimintaa.

Akkujen kuljettaminen:

- Varmista, että akkujen navat on suojattu ja eristetty oikosuiluilta.
- Varmista, että akkupaketti on pakattu turvallisesti niin, ettei se liuku pakkauksessa.
- Älä kuljeta akkuja, jotka ovat halkeilleet tai vuotavat.
- Kysy välitystyrytykseltä lisäneuvoja.

TUNNE TUOTTEESI

Ks. sivu 2-3.

1. Uputuksen ohjausvipu
2. Karalukko
3. Ulompi terän aluslevy
4. Terän ruuvi
5. Pölyaukko

6. Jakoavain
7. Suojakilla
8. Sahaterä
9. Kiskopuristin
10. Etukahva, eristetty tartuntapinta
11. Lukituspainike
12. Kahva, eristetty tartuntapinta
13. Liipaisinkytkin
14. Akku
15. Leikkaussyvyyspainike
16. Negatiivinen 1° ohitusliukusäädin
17. Kisko
18. Kiskon säätönuppi
19. Viisteilmaisin
20. 45° viisteen ohitusvipu
21. Vinosahausruristin nuppi
22. 0° viisteen säätöruuvi
23. Rinnakkainen säätöruuvi
24. 45° viisteen säätöruuvi

HUOLTO

Vältä liuottimien käyttöä puhdistaessasi muoviosia. Useimmat muovit ovat herkkiä monentyyppisille kaupallisille liuottimille ja saattavat vahingoittua niitä käytettäessä. Poista lika, hiilipöly jne. puhtailla liinoilla.

Käytä vain AEG:n tarvikkeita ja varaosia. Jos jokin tässä kuvaamatta oleva osa pitää vaihtaa, ota yhteys johonkin AEG:n huoltohenkilöstöstä (ks. takuu- ja huolto-osoitteiden luettelo).

Laitteen räjähdyskuvan voi tilata tarvittaessa. Ilmoita tuotetyyppi ja etikettiin painettu sarjanumero ja tilaa piirros paikalliselta huoltoedustajalta tai suoraan osoitteesta: Techtronic Industries GmbH, Max-Eyth-Straße 10, 71364 Winnenden, Germany.

SYMBOLIT

	Lue ohjeet huolellisesti ennen laitteen käynnistämistä.
	Tasavirta
	Käytä korvasuojia.
	Käytä asianmukaista pölyltä suojaavaa maskia.
	Pidä suojalaseja.
	Käytä suojakäsineitä.
	Pidä kädet loitolla sahausalueesta ja terävästä terästä.

Älä hävitä käytettyjä akkuja sekä sähkö- ja elektroniikkalaiteromua lajittelemattomana yhdyskuntajätteenä.

Käytetyt akut sekä sähkö- ja elektroniikkalaiteromu on kerättävä erikseen.

Käytetyt paristot ja akut ja hukkavalonlähteet on poistettava laitteista.

Kysy paikalliselta viranomaiselta tai jälleenmyyjältä kierrätysneuvoja ja keräyspiste.

Paikallisten määräysten mukaan jälleenmyyjällä voi olla velvollisuus ottaa käytetyt akut sekä sähkö- ja elektroniikkalaiteromu takaisin veloituksetta.

- EN
- DE
- FR
- IT
- ES
- PT
- NL
- DA
- NO
- SV
- FI
- EL
- TR
- CS
- SK
- PL
- HU
- SL
- HR
- LV
- LT
- ET
- RU
- BG
- RO
- MK
- UK
- AR
- i

Panoksesi käytettyjen akkujen sekä sähkö-ja elektroniikkalaiteromu uudelleenkäyttöön ja kierrätykseen auttaa vähentämään raaka-aineiden kysyntää.

Käytetyt, erityisesti litiumia sisältävät akut sekä sähkö-ja elektroniikkalaiteromu sisältävät arvokkaita, kierrätettäviä materiaaleja, jotka voivat vaikuttaa haitallisesti ympäristöön ja ihmisten terveyteen, jos niitä ei hävitetä ympäristöstävälisellä tavalla.

Poista mahdolliset henkilötiedot jätelaitteista.

Οι φλάντζες και οι βίδες δίσκου έχουν σχεδιαστεί ειδικά για αυτό το μοντέλο πριονίου, για βέλτιστη ασφάλεια και αποτελεσματικότητα. Συμπληρωματικές συστάσεις ασφαλείας για κάθε τύπο πριονίου

Αιτίες επιστροφής και σχετικές συστάσεις:

- Το κλώτσημα είναι μια ξαφνική αντίδραση όταν η πριονολάμα είναι μπλοκαρισμένη ή ακινητοποιημένη και προκαλεί ανεξέλεγκτη κίνηση του τεμαχίου εργασίας προς τα πάνω και προς τα έξω με κατεύθυνση προς τον χειριστή.
- Όταν η πριονολάμα μπλοκάρει ή ακινητοποιείται πλήρως σε εγκοπή του κλείνει πλήρως, τότε αυτή σταματά και η αντίδραση του μοτέρ οδηγεί τη εργαλειό γρήγορα πίσω προς τον χειριστή.
- Αν ο δίσκος στραβώσει ή δεν είναι σωστά ευθυγραμμισμένος, τα δόντια που βρίσκονται στο πίσω μέρος του δίσκου κινδυνεύουν να εισέλθουν στην επιφάνεια του ξύλου, γεγονός που θα κάνει το δίσκο να εξέλθει απότομα από το προς επεξεργασία αντικείμενο προς την κατεύθυνση του χρήστη.

Το κλώτσημα είναι συνειδητός το αποτέλεσμα λανθασμένης χρήσης του εργαλείου ή/και λανθασμένων διαδικασιών ή συνθηκών κοπής.

Μπορεί να αποφευχθεί φροντίζοντας να τηρηθούν ορισμένες προφυλάξεις. Κρατάτε γερά το πριόνι με τα δύο σας χέρια και τοποθετήστε τα μπράτσα σας έτσι ώστε να μπορούν να ελέγξουν το ενδοχόμενο κλώτσημα. Σταθείτε από τη μια πλευρά του πριονίου όταν εργάζεστε, αλλά μη στέκεστε ποτέ στην ευθεία του δίσκου. Το κλώτσημα εκτοξεύει απότομα το πριόνι προς τα πίσω, ωστόσο η κίνηση αυτή μπορεί να ελεγχθεί αν ο χρήστης την περιμένει και είναι προετοιμασμένος.

Αν ο δίσκος σφηνώσει ή αν πρέπει να διακόψετε την κοπή για οποιοδήποτε λόγο, απελευθερώστε τη σκανδάλη και κρατήστε το πριόνι μέσα στο προς επεξεργασία αντικείμενο έως ότου ο δίσκος σταματήσει εντελώς να περιστρέφεται. Μην προσπαθείτε ποτέ να αφαιρέσετε τον κλώτση από το τεμάχιο ή να τον τραβήξετε προς τα πίσω ενώ η λεπίδα κινείται, διαφορετικά υπάρχει κίνδυνος επιστροφής. Αν ο δίσκος σφηνώσει, αναζητήστε την αιτία και λάβετε τα απαραίτητα μέτρα ώστε να μην επαναληφθεί.

Κατά την επανεκκίνηση ενός πριονίου στο τεμάχιο εργασίας, κεντράρετε την πριονολάμα στην εγκοπή, έτσι ώστε τα δόντια του πριονίου να μην μπλοκάρουν μέσα στο υλικό. Αν η πριονολάμα φρακάρει, μπορεί να προχωρήσει ή να πεταχτεί από το τεμάχιο εργασίας μόλις ξαναεκκινήσει το πριόνι.

Φροντίστε να υποστηρίξετε τα μακριά προς επεξεργασία αντικείμενα ώστε να αποφύγετε το σφηνώμα του δίσκου και να περιορίσετε έτσι τον κίνδυνο κλώτσηματος. Τα μακριά προς επεξεργασία αντικείμενα έχουν την τάση να λυγίζουν λόγω ίδιου τους του βάρους. Μπορείτε να τοποθετήσετε υποστηρίγματα και από τις δύο πλευρές του προς επεξεργασία αντικείμενου, κοντά στη γραμμή κοπής και στο επίπεδο της άκρης του αντικείμενου.

Μη χρησιμοποιείτε αμβλυμένους ή φθαρμένους δίσκους. Οι μη ακονισμένοι ή λάθος τοποθετημένοι δίσκοι θα δημιουργήσουν μια εγκοπή πριονίου επιφέροντας υπερβολική τριβή του δίσκου και συνεπώς μεγαλύτερο κίνδυνο στρέβλωσης και κλώτσηματος.

Πριν αρχίσετε μια κοπή, ελέγξτε πως οι διακόπτες ρύθμισης του βάθους και της κλίσης είναι σωστά ακινητοποιημένοι. Αν οι ρυθμίσεις της θέσης του δίσκου τροποποιηθούν κατά τη διάρκεια της κοπής, ο δίσκος κινδυνεύει να σφηνώσει και μπορεί να προκληθεί κλώτσημα.

Προσέχετε ιδιαίτερα όταν κόβετε σε υπάρχοντες τοίχους ή άλλες τυφλές περιοχές. Ο δίσκος θα μπορούσε να βρει σε κρυμμένα στοιχεία, γεγονός που θα προκαλούσε κλώτσημα.

Λειτουργία προστατευτικού

Πριν από κάθε χρήση, ελέγχετε ότι το προστατευτικό έχει κλείσει καλά. Μην χρησιμοποιείτε το πριόνι, εάν το προστατευτικό δεν κινείται ελεύθερα και δεν καλύπτει αμέσως τον δίσκο. Μην στερεώνετε και μη δένετε το προστατευτικό έτσι ώστε η πριονολάμα να παραμένει εκτεθειμένη. Εάν το πριόνι πέσει κατά λάθος, το προστατευτικό μπορεί να λυγίσει. Ελέγξτε για να βεβαιωθείτε ότι το προστατευτικό κινείται ελεύθερα και δεν αγγίζει τον δίσκο ή οποιοδήποτε άλλο εξάρτημα, σε όλες τις γωνίες και το βάθος κοπής.

Ελέγχετε τη λειτουργία και την κατάσταση του ελατηρίου επιστροφής του προστατευτικού. Αν το προστατευτικό λάμας ή το ελατήριο δεν λειτουργούν σωστά, ζητήστε την επιδιόρθωσή τους ή την αντικατάστασή τους πριν χρησιμοποιήσετε το πριόνι σας. Το προστατευτικό μπορεί

EL ΜΕΤΑΦΡΑΣΗ ΤΩΝ ΠΡΩΤΟΤΥΠΩΝ ΟΔΗΓΙΩΝ

ΧΡΗΣΗ ΣΥΜΦΩΝΑ ΜΕ ΤΟ ΣΚΟΠΟ ΠΡΟΟΡΙΣΜΟΥ

Το πριόνι με τροχιά προορίζεται για την παράλληλη κοπή και την εγκάρσια κοπή ξύλου ή παρόμοιων υλικών με μέγιστο βάθος 58,5 mm. Το πριόνι μπορεί να δημιουργεί ίσιες ή λοξές κοπές μεταξύ 0 και 45 μοιρών.

Το πριόνι έχει σχεδιαστεί να χρησιμοποιείται με κράτημα στα χέρια. Το πριόνι δεν πρέπει να στερεώνεται σε πάγκο εργασίας. Μην χρησιμοποιείτε το πριόνι για κοπή μετάλλων ή τοιχοποιίας. Μην χρησιμοποιείτε το πριόνι με τρόπο διαφορετικό από αυτόν που αναφέρεται για τη χρήση του.

Δ. ΠΡΟΕΙΔΟΠΟΙΗΣΗ! Διαβάστε όλες τις προειδοποιήσεις ασφαλείας, τις απεικονίσεις και τις προδιαγραφές που παρέχονται με το παρόν ηλεκτρικό εργαλείο. Τυχόν μη τήρηση όλων των παρακάτω οδηγιών μπορεί να οδηγήσει σε ηλεκτροπληξία, πυρκαγιά και/ή σοβαρό τραυματισμό.

Διατηρήστε όλες τις προειδοποιήσεις και τις οδηγίες για μελλοντική χρήση.

ΠΡΟΕΙΔΟΠΟΙΗΣΕΙΣ ΑΣΦΑΛΕΙΑΣ ΓΙΑ ΤΟ ΠΡΙΟΝΙ ΜΕ ΤΡΟΧΙΑ

Διαδικασίες κοπής

Δ. ΚΙΝΔΥΝΟΣ: Κρατάτε τα χέρια σας μακριά από την περιοχή κοπής και την λεπίδα. Το χέρι που δεν κρατά την κύρια λαβή του εργαλείου πρέπει να κρατά τη βοηθητική λαβή ή να είναι ακουμπισμένο επάνω στο κάρτερ του κινητήρα. Έτσι, τα χέρια σας δεν θα κινδυνεύουν να βρεθούν στη ζώνη κοπής, στη διαδρομή του δίσκου.

Μην απλώνετε τα χέρια σας κάτω από το τεμάχιο εργασίας. Ρυθμίστε το βάθος κοπής ανάλογα με το πάχος του προς επεξεργασία αντικείμενου.

Τα δόντια του δίσκου δεν πρέπει να περισσεύουν πλήρως κάτω από το προς επεξεργασία αντικείμενο κατά την κοπή. Μην κρατάτε ΠΟΤΕ το προς επεξεργασία αντικείμενο με το χέρι ή ανάμεσα στα πόδια σας.

Ποτέ μην κρατάτε το τεμάχιο εργασίας στα χέρια σας ή πάνω στο πόδι σας ενόσω εκτελείτε κοπή! Το τεμάχιο εργασίας πρέπει να είναι στερεωμένο σε μια γερή και σταθερή πλατφόρμα. Κρατάτε το εργαλείο μόνο από τα μονωμένα και αντιολισθητικά τμήματα όταν εργάζεστε σε επιφάνεια η οποία μπορεί να κρούει ηλεκτρικά καλώδια ή όταν η εργασία που θα πραγματοποιήσετε κινδυνεύει να φέρει το καλώδιο παροχής ρεύματος στην διαδρομή του εργαλείου.

Κρατάτε το ηλεκτρικό εργαλείο από τις μονωμένες λαβές όταν εκτελείτε εργασία κατά την οποία το εργαλείο κοπής μπορεί να έρθει σε επαφή με κρυμμένα καλώδια. Η επαφή με ηλεκτροφόρο καλώδιο εκθέτει τα μεταλλικά εξαρτήματα του εργαλείου στο ρεύμα και μπορεί να προκαλέσει ηλεκτροπληξία στον χειριστή.

Η κριβία κοπής θα βελτιωθεί και θα αποφύγετε τον κίνδυνο να διπλώσει ο δίσκος. Χρησιμοποιείτε πάντα δίσκους μεγέθους και σχήματος που να ταιριάζουν στον διαμέτρημα του άξονα.

Οι ακατάλληλοι για τον άξονα στον οποίο θα τοποθετηθούν δίσκοι δεν θα περιστραφούν σωστά και μπορούν να σας κάνουν να χάσετε τον έλεγχο του εργαλείου. Οι λάμες που δεν αντιστοιχούν στον εξοπλισμό στερέωσης του πριονίου θα ξεφυγούν από το κέντρο, προκαλώντας απώλεια ελέγχου.

να λειτουργεί αδύναμα λόγω καταστραμμένων εξαρτημάτων, κολλώδων επικαθίσεων ή συσσώρευσης υπολειμμάτων.

Βεβαιωθείτε ότι η πλάκα βάσης του πριονιού δεν θα μετατοπιστεί κατά την εκτέλεση μιας «βυθίζομενης κοπής».

Η μετατόπιση της πριονολάμας προς τα πλάγια θα προκαλέσει φρακάρωμα και πιθανό κτύπημα.

Να προσέχετε πάντα ότι το προστατευτικό καλύπτει τον δίσκο, πριν τοποθετήσετε το πριόνι σε πάγκο ή στο δάπεδο. Αν ο δίσκος δεν καλύπτεται σωστά, μπορεί να περιστραφεί με τη δύναμη της αδράνειας και να κόψει κάτι που θα βρίσκεται στην πορεία του. Να έχετε γνώση του γεγονότος ότι ο δίσκος εξακολουθεί να περιστρέφεται για κάποιο διάστημα μετά τη διακοπή του κινητήρα.

Λειτουργία σχισίματος

Χρησιμοποιήστε την κατάλληλη πριονολάμα για το μαχαίρι σχισίματος. Για να λειτουργήσει το μαχαίρι σχισίματος, το σώμα της πριονολάμας πρέπει να είναι λεπτότερο από το μαχαίρι σχισίματος από το πλάτος κοπής της πριονολάμας πρέπει να είναι μεγαλύτερο από το πάχος του μαχαίριου σχισίματος.

Ρυθμίστε το μαχαίρι σχισίματος όπως περιγράφεται στο εγχειρίδιο οδηγιών. Τυχόν εσφαλμένη απόσταση, τοποθέτηση και ευθυγράμμιση μπορεί να καταστήσουν το μαχαίρι σχισίματος αναποτελεσματικό στην πρόληψη της κλωστήματος.

Για να δουλέψει το μαχαίρι σχισίματος, θα πρέπει να εισαχθεί στο τεμάχιο εργασίας. Το μαχαίρι διάνοιξης δεν είναι αποτελεσματικό στην αποτροπή του κλωστήματος κατά τη διάρκεια σύντομων κοπών.

Μην χρησιμοποιείτε το πριόνι αν το μαχαίρι διάνοιξης έχει λυγίσει. Ακόμη και μια μικρή παρεμβολή μπορεί να μειώσει το ρυθμό κλεισίματος του προστατευτικού.

ΠΡΟΣΕΤΕΣ ΟΔΗΓΙΕΣ ΑΣΦΑΛΕΙΑΣ ΚΑΙ ΕΡΓΑΣΙΑΣ

Μη χρησιμοποιείτε ποτέ λειαντικό δίσκο.

Βεβαιωθείτε ότι το μαχαίρι σχισίματος είναι ρυθμισμένο έτσι ώστε η απόσταση μεταξύ του μαχαίριου και της άκρης της πριονολάμας να μην είναι μεγαλύτερη από 5 χιλ. και η άκρη της λεπίδας να μην εκτείνεται περισσότερο από 5 χιλ. πέρα από το χαμηλότερο άκρο του μαχαίριου.

Χρησιμοποιείτε μόνο πριονολάμες με διάμετρο που συμφωνεί με τις σημάνσεις.

Εντοπίστε τη σωστή πριονολάμα για το υλικό που πρέπει να κοπεί.

Χρησιμοποιείτε πριονολάμες με ένδειξη ταχύτητας ίσης ή μεγαλύτερης από αυτή που αναγράφεται στο εργαλείο.

Χρησιμοποιείτε μόνο πριονολάμες που συνιστώνται από τον κατασκευαστή και οι οποίες συμμορφώνονται με το πρότυπο EN 847-1, εφόσον προορίζονται για κοπή ξύλου και ανάλογων υλικών.

Φοράτε μάσκα προστασίας από πριονίδια/σωματίδια.

Στερεώστε το τεμάχιο εργασίας με σφικκτήρα. Τυχόν μη στερεωμένα τεμάχια εργασίας μπορεί να προκαλέσουν τραυματισμό και ζημίες.

Τα βρώμικα προστατευτικά λεπίδων μπορεί να περιορίσουν τη σωστή λειτουργία του προϊόντος, με αποτέλεσμα σοβαρό τραυματισμό. Καθαρίζετε τα προστατευτικά των λεπίδων με πτεπισμένο αέρα για να διασφαλίσετε ότι δεν υπάρχουν συσσώρευση σκόνης πριονιού. Φοράτε κατάλληλα προστατευτικά ματιών καθώς και αναπνευστική προστασία.

Ελέγξτε και βεβαιωθείτε ότι ο προφυλακτήρας της λεπίδας λειτουργεί σωστά. Ακολουθήστε τα παρακάτω βήματα για να ελέγξετε τη σωστή λειτουργία του προφυλακτήρα της λεπίδας.

- Βεβαιωθείτε ότι η μπαταρία έχει αφαιρεθεί από το προϊόν.
- Πατήστε το κουμπί ασφαλίσιας.
- Πιάστε την μπροστινή λαβή και ασκήστε πίεση προς τα κάτω για να χαμηλώσετε και να αποκαλύψετε τη λεπίδα.
- Αφήστε σιγά-σιγά την μπροστινή λαβή να ανυψωθεί μέχρι η λεπίδα να βρεθεί εντελώς μέσα στον προφυλακτήρα.
- Βεβαιωθείτε ότι ο προφυλακτήρας της λεπίδας περικλείει πλήρως τη λεπίδα.
- Αν το προστατευτικό λάμας ή το ελατήριο δεν λειτουργούν σωστά, ζητήστε την επιδιόρθωσή τους ή την αντικατάστασή τους πριν χρησιμοποιήσετε το πριόνι σας.

Απενεργοποιήστε αμέσως το προϊόν εάν διακοπή η λειτουργία του. Μην θέτετε εκ νέου σε λειτουργία το προϊόν αφού έχει σβήσει. Η ενεργοποίησή του μπορεί να προκαλέσει κλότσημα με μεγάλη

δύναμη αντίδρασης. Προσδιορίστε την αιτία του προβλήματος στο προϊόν και διορθώστε την, πριν/ως τις οδηγίες ασφάλειας.

Αφαιρέστε τη μπαταρία πριν ξεκινήσετε οποιαδήποτε εργασία στο μηχάνημα.

ΕΠΙΠΡΟΣΕΤΕΣ ΠΡΟΕΙΔΟΠΟΙΗΣΕΙΣ ΑΣΦΑΛΕΙΑΣ ΜΠΑΤΑΡΙΑΣ

⚠️ ΠΡΟΕΙΔΟΠΟΙΗΣΗ! Για ελαχιστοποίηση του κινδύνου φωτιάς, τραυματισμών και καταστροφής αντικειμένων λόγω βραχυκυκλώματος, φροντίστε να μην βυθίζετε το εργαλείο, το πακέτο μπαταρίας ή τον φορητό σε υγρά και μην αφήνετε τυχόν υγρά να εισχωρήσουν σε αυτά. Διαβρωτικά ή αγνώριμα υγρά, όπως το θαλάσσιο νερό, κάποια βιομηχανικά χημικά, το χλώριο, προϊόντα που περιέχουν χλώριο, κ.α., μπορούν να προκαλέσουν βραχυκύκλωμα.

Μην απορρίπτετε τις χρησιμοποιημένες μπαταρίες με τα απόβλητα του σπιτιού και μην τις καίτε. Οι διανομείς της AEG αναλαμβάνουν την παραλαβή παλιών μπαταριών για την προστασία του περιβάλλοντος.

Πακέτα μπαταρίας που δεν έχουν χρησιμοποιηθεί για κάποιο διάστημα θα πρέπει να είναι φορτισμένα πριν από τη χρήση.

Για μέγιστη διάρκεια ζωής, τα πακέτα μπαταρίας πρέπει να φορτίζονται πλήρως μετά από τη χρήση.

Για αποθήκευση μπαταριών πάνω από 30 ημέρες:

- Αποθηκεύστε την μπαταρία σε χώρο όπου η θερμοκρασία είναι κάτω από 27 °C και μακριά από την υγρασία.
- Αποθηκεύστε τα πακέτα μπαταρίας φορτισμένα κατά 30%-50%.
- Κάθε έξι μήνες αποθήκευσης, φορτίστε την μπαταρία ως συνήθως.

Προστασία πακέτου μπαταρίας

Η μπαταρία διαθέτει προστασία υπερφόρτωσης που την προστατεύει από την υπερφόρτωση και εξασφαλίζει μακρά διάρκεια ζωής.

Υπό ακραία καταπόνηση, τα ηλεκτρονικά στοιχεία της μπαταρίας απενεργοποιούν αυτόματα το προϊόν. Αν η ξαναθέσετε το προϊόν σε λειτουργία, απενεργοποιήστε και στη συνέχεια ενεργοποιήστε το ξανά. Αν το προϊόν δεν ξεκινάει ξανά, ενδέχεται να έχει αποφορτιστεί πλήρως το πακέτο μπαταρίας. Επαναφορτίστε το πακέτο μπαταρίας.

Μεταφορά μπαταριών λιθίου

Οι μπαταρίες λιθίου υπόκεινται στις απαιτήσεις της Νομοθεσίας περί Επικίνδυνων Εμπορευμάτων.

Η μεταφορά των μπαταριών αυτών πρέπει να πραγματοποιείται σύμφωνα με τις τοπικές, εθνικές και διεθνείς διατάξεις και κανονισμούς.

- Οι μπαταρίες μπορούν να μεταφερθούν οδικώς χωρίς περαιτέρω απαιτήσεις.
- Η εμπορική μεταφορά μπαταριών ιόντων λιθίου από τρίτους υπόκειται στις απαιτήσεις της Νομοθεσίας περί Επικίνδυνων Εμπορευμάτων. Η προετοιμασία της μεταφοράς και η εκτέλεσή της πρέπει να πραγματοποιούνται αποκλειστικά από κατάλληλα εκπαιδευμένα άτομα και η διαδικασία πρέπει να εγκρίνεται από σχετικούς εμπειρογνώμονες.

Κατά τη μεταφορά μπαταριών:

- Βεβαιωθείτε ότι οι ακροδέκτες επαφής της μπαταρίας είναι προστατευμένοι και μονωμένοι προς αποφυγή βραχυκυκλώματος.
- Βεβαιωθείτε ότι η μπαταρία παραμένει ακίνητη εντός της συσκευασίας.
- Μη μεταφέρετε μπαταρίες που έχουν χτυπήματα ή διαρροή.
- Ενυμερωθείτε από τη πρακτορεία μεταφορών για περαιτέρω οδηγίες.

ΓΝΩΡΙΣΤΕ ΤΟ ΕΡΓΑΛΕΙΟ ΣΑΣ

Βλ. σελίδα 2-3.

1. Μοχλός ελέγχου βύθιας
2. Ασφάλιση άξονα
3. Εξωτερική ροδέλα δίσκου
4. Βίδα λεπίδας
5. Θύρα σκόνης
6. Κλειδί
7. Μαχαίρι σχισίματος
8. Λεπίδα πριονιού



9. Σφιγκτήρας τροχιάς
10. Εμπρός λαβή, μονωμένη επιφάνεια λαβής
11. Κουμπί κλειδώματος
12. Λαβή, μονωμένη επιφάνεια λαβής
13. Διακόπτης-σκανδάλη
14. Πακέτο μπαταριών
15. Κουμπί βάθους κοπής
16. Ρυθμιστικό αρνητικού 0°
17. Τροχιά
18. Κουμπί ρύθμισης τροχιάς
19. Δείκτης λοξοτομής
20. Μοχλός παράκαμψης λοξοτομής 45°
21. Κουμπί ασφάλισης λοξής κοπής
22. Βίδα ρύθμισης λοξοτομής 0°
23. Παράλληλη βίδα ρύθμισης
24. Βίδα ρύθμισης λοξοτομής 45°

ΣΥΝΤΗΡΗΣΗ

Αποφύγετε τη χρήση διαλυτικών κατά τον καθαρισμό πλαστικών τμημάτων. Τα περισσότερα πλαστικά είναι ευαίσθητα σε διάφορους τύπους εμπορικών διαλυτικών και μπορεί να καταστραφούν από τη χρήση τους. Χρησιμοποιείτε καθαρά πανιά για την αφαίρεση ρύπων, σκόνης άνθρακα κτλ.

Χρησιμοποιείτε αποκλειστικά εξαρτήματα και ανταλλακτικά AEG. Σε περίπτωση ανάγκης αντικατάστασης εξαρτημάτων που δεν έχουν περιγραφεί, επικοινωνήστε με κάποιον από τους παρόχους σέρβις της AEG (βλ. τη λίστα των διευθύνσεων εγγύησης/ σέρβις).

Αν χρειαστεί, μπορεί να παραγγελθεί ένα σχηματικό διάγραμμα του εργαλείου. Αναφέρετε τον τύπο προϊόντος και τον σειριακό αριθμό που αναγράφεται στην ετικέτα και παραγγείλετε το διάγραμμα στον τοπικό αντιπρόσωπο σέρβις ή απευθείας στη διεύθυνση: Technonic Industries GmbH, Max-Eyth-Straße 10, 71364 Winnenden, Germany.

ΣΥΜΒΟΛΑ



Διαβάστε προσεκτικά τις οδηγίες πριν χρησιμοποιήσετε το προϊόν.



Συνεχές ρεύμα



Φοράτε ωτοασπίδες.



Φοράτε την κατάλληλη μάσκα προστασίας από τη σκόνη.



Φοράτε προστατευτικά ματιών.



Φοράτε προστατευτικά γάντια.



Κρατάτε τα χέρια σας μακριά από την περιοχή κοπής και την αιχμηρή λεπίδα.



Οι μπαταρίες καθώς και ο ηλεκτρονικός και ηλεκτρικός εξοπλισμός δεν πρέπει να απορρίπτονται στα αδιαχώριστα απορρίματα της κοινότητας.

Οι μπαταρίες καθώς και ο ηλεκτρονικός και ηλεκτρικός εξοπλισμός προς απόρριψη θα πρέπει να συλλέγονται χωριστά.

Οι μπαταρίες, οι συσσωρευτές και οι πηγές φωτός προς απόρριψη θα πρέπει να αφαιρούνται από τον εξοπλισμό.

Επικοινωνήστε με την τοπική σας αρχή ή τον προμηθευτή σας για συμβουλές ανακύκλωσης και σημείο συλλογής.

Σύμφωνα με τους τοπικούς κανονισμούς, οι προμηθευτές ενδέχεται να υποχρεούνται να παραλαμβάνουν πίσω τις μπαταρίες καθώς και τον ηλεκτρονικό και ηλεκτρικό εξοπλισμό προς απόρριψη, χωρίς χρέωση.

Η συμβολή σας στην επαναχρησιμοποίηση και την ανακύκλωση μπαταριών καθώς και ηλεκτρονικού και ηλεκτρικού εξοπλισμού προς απόρριψη, βοηθά στη μείωση της ζήτησης πρώτων υλών.

Οι άχρηστες μπαταρίες, και κυρίως όσες περιέχουν λίθιο, όπως και ο άχρηστος ηλεκτρονικός και ηλεκτρικός εξοπλισμός, περιέχουν πολύτιμα ανακυκλώσιμα υλικά, τα οποία μπορεί να βλάψουν τόσο το περιβάλλον, όσο και την ανθρώπινη υγεία, εάν δεν απορρίπτονται με τρόπο φιλικό προς το περιβάλλον.

Διαγράψτε τυχόν προσωπικά δεδομένα από τον εξοπλισμό.

TR ORIJİNAL TALİMATLARIN ÇEVİRİLERİ

KULLANIM ŞARTLARI

Dalma tip testere, maksimum 58,5 mm derinliğe kadar ahşap veya benzer malzemelerin liflere yatay ve dikey yönlü kesimi için tasarlanmıştır. Ürün, düz veya 0 ile 45 derece arasında eğimli kesimler yapılabilir.

Ürün elle kullanılmak üzere tasarlanmıştır. Ürün bir tezgaha monte edilemez. Ürünü metal veya beton kesmek için kullanmayın.

Bu ürünün belirtilen kullanım amacı dışında herhangi bir amaçla kullanmayın.

⚠ UYARI! Bu elektrikli aletle birlikte sağlanan bütün güvenlik uyarı ve talimatlarını, çizim ve teknik özellikleri okuyun. Aşağıda belirtilen talimatların uyulmaması, yangın, elektrik çarpması ve/veya ciddi bedensel yaralanmalar gibi kazalar sebep olabilir.

İleride başvurmak üzere tüm uyarıları ve talimatları saklayın.

DALMA TİP TESTERE GÜVENLİK UYARILARI

Kesme usulleri

⚠ TEHLİKE: Ellerinizin bıçağın kesin alanından uzak tutun. Aletin ana sapını tutmayan el yardımcı sapını tutmalıdır yada motor karterine dayalı durmalıdır. Böylece, elleriniz kesim alanında, bıçağın kesim alanında bulunmayacaktır.

Çalışma parçasının altına ulaşmayın. Kesimin derinliğini kesilecek maddenin kalınlığına göre ayarlayınız.

Bıçağın dişleri, kesim esnasında kesilecek maddenin altına tamamen geçmemelidir. Kesilecek maddeyi elleriniz ile yada bacaklarınızı arasında ASLA tutmayın.

Kesim yaparken iş parçasını asla ellerinizde veya bacaklarınızın arasında tutmayın. İşlenecek parçayı sağlam bir platforma tespit edin. Yaralanma riskine maruz kalmamak ve bıçağı eğmemek yada aletin kontrolünü kaybetmemek için, kesilecek maddenin düzgün bir şekilde sabitlenmesi esastır.

Kesme aletinin gizli kablolarla temas edebileceği durumlarda işlem yaparken, elektrikli cihazı sadece yalıtılmış kavrama yüzeylerinden tutun. "Elektrikli" bir tele temas etmek elektrikli aletin açıkta kalan metal bölümlerini de "elektrikli" hale getirerek kullanıcınızı elektrik çarpmasına neden olabilir.

Kesimin netliği daha iyi olacaktır ve bıçağı eğme riskinden kaçınacaksınız. Daima, dingilin iç perdahına uygun boy ve şekilde bıçak kullanınız.

Dingilin niteliğine uygun olmayan bıçaklar düzgün olarak dönmeyecekler ve aletin kontrolünün kaybedilmesine neden olacaktır. Testerenin montaj donanımına uygun olmayan bıçaklar dengesiz çalışarak kontrolün kaybedilmesine neden olabilir.

Bıçak kenetleri ve vidaları sizin testere modelinize göre, azami güvenlik ve performans için üretilmişlerdir. Tüm testere tipleri için ilave güvenlik talimatları

Ger i tepme nedenleri ve ilgili uyarılar:

- geri tepme sıkışması, tıkanması ya da yanlış hizalanmış bir testere bıçağ ına ani bir tepkidir ve denetimsiz testerenin yükselip işlenen parçadan çıkmasına ve operatöre doğru yönelmesine neden olur;
- bıçak kapanan çentik tarafından kuvvetle sıkıştırılmışsa bıçak durur ve motor tepkisi ürünü hızla operatöre doğru iter;
- Dolayısı ile sıçrama, aletin kötü kullanımının ve/veya yanlış kesim şekillerinin ya da şartlarının sonucudur.

Birkaç önleme yaparak engellenebilir.

Testereyi iki eliniz ile sıkıca tutunuz ve ani bir sıçramayı kontrol edilecekle şekilde kollarınızı şekillendiriniz. Çalışırken daima testerenin yan tarafından olunuz, asla bıçak hizasında bulunmayınız. Sıçrama testereyi ani olarak geri atar, ancak kullanıcı bekliyor ve hazır ise kontrol edilebilir.

Şayet bıçak sıkıştırsa, yada siz herhangi bir sebepten dolayı kesimi durdurmak zorunda kalırsanız, çalıştırma düğmesini bırakınız ve bıçak tamamen duruncaya dek bıçağı kesilen maddenin içerisinde bırakınız. Bıçak hareket ederken testereyi asla geri çekmeye çalışmayın veya testereyi çalışma malzemesinden çekmeyin; geri tepme meydana gelebilir.

Şayet bıçak sıkıştırsa, sebebini araştırın ve bir daha olmaması için önlemleri alın.

İş parçasındaki bir testereyi yeniden başlatırken testere bıçağ ını kertiğe yerleştirin, böylece testerenin dış ıeri malzemeye girmez. Testere bıçağ ının bükülmesi halinde, testerenin yeniden çalıştırılması sırasında kalkabilir ya da işlenen parçadan geri tepebilir.

Bıçağ ın sıkışmasını engellemek için kesilecek uzun maddelerin sabitlenmesine ve böylece sıçrama risklerini azaltmaya dikkat ediniz. Kesilecek uzun maddeler kendi ağırlıklarından dolayı bel vermeye eğilimlidir. Kesilecek maddenin iki ucuna, kesim çizgisinin yakınına maddenin uç hizasına destekler yerleştirebilirsiniz.

Körelmiş yada zarar görmüş bıçakları kullanmayınız, iyi bilinmemiş yada yerleştirilmemiş bıçaklar, bıçağ ın aşırı sürtünmesine sebep olacak ince işaret meydana getirecektir ve bu da sürtünme ve sıçrama riskleri oluşturacaktır. Ya da bilinmiş uygunsuz bıçak seti dar kesime yol açarak aşırı sürtünmeye, kesim bağlayıcı ve geri tepmeye neden olur.

Bir kesime başlamadan evvel, derinlik ve eğilme ayarı düğmelerinin düzgün şekilde bloke edilmiş olduklarından emin olunuz. Şayet bıçak pozisyonu düğmeleri kesim esasında değiştirilirse, bu bıçağ ın sıkışmasına ve sıçramanın oluşmasına sebep olabilir.

Mevcut duvarlarda ve kör noktalarda bıçkılama yaparken daha dikkatli olunmalıdır. Bıçak, sıçramaya sebep olabilecek saklı maddelere çarpabilir.

Muhafaza işlevi

Her kullanımdan önce muhafazanın doğru kapanıp kapanmadığını kontrol edin. Koruma serbestçe hareket etmiyorsa ve bıçağı anında kapatmıyorsa testereyi çalıştırmayın. Bıçağ ın açıkta olması için muhafazayı asla sıkıştırmayın, bağlamayın. Testere yanlışlıkla düşerse koruma bükülebilir. Korumanın serbest bir şekilde hareket ettiğ inden ve hiçbir kesim açısında veya derinliğinde bıçağı ya da başka bir parçaya temas etmediğ inden emin olmak için kontrol edin.

Muhafaza geri dönüş yayının çalışmasını ve durumunu kontrol edin. Şayet bıçak koruyucu yada yay düzgün bir şekilde çalışmıyor ise, testerenizi kullanmadan evvel tamir ettiriniz yada değiştiriniz. Koruma; hasarlı parçalar, yapışkan tortular veya döküntü birikimi nedeniyle yavaş çalışabilir.

Testerenin taban plakasının "daldırma kesme" işleminde kaymayacağından emin olun. Yana doğru kayan bıçak eğilmeye ve muhtemelen geri tepmeye neden olur.

Testereyi tezgaha veya zemine koymadan önce her zaman korumanın bıçağı kapattığından emin olun. Şayet bıçak iyi örtülüyor ise, kontrolsüzce dönebilir ve alanında bulunan her şeyi kesebilir. Motorun durmasından sonra bıçağ ın bir süre daha dönmesi konusunda dikkatli olunuz.

Yarma bıçağı işlevi

Yarma bıçağı için doğru testere bıçağ ını kullanın. Yarma bıçağ ının işlevini yapması için, bıçağ ın gövdesi yarma bıçağ ından daha ince olmalı ve bıçağ ın kesme genişliği yarma bıçağ ının kalınlığından daha fazla olmalıdır.

Yarma bıçağ ını el kitabında belirtildiğ i gibi ayarlayın. Yanlış aralık, yerleştirme ya da hizalama yarma bıçağ ının geri tepmeyi önlemede etkisiz olmasına yol açabilir.

Yarma bıçağ ının işlev görmesi için, işlenen parçanın içine olması gerekir. Yarma bıçağı, kısa kesimler sırasında geri tepmeyi önlemede etkisizdir.

Yarma bıçağı bükülmüşse testereyi çalıştırmayın. Hafif bir müdahale bile muhafazanın kapanma hızını düşürebilir.

İLAVE GÜVENLİK VE ÇALIŞMA TALİMATLARI

Hasar görmüş zımpara diskini asla kullanmayınız.

Yarma bıçağ ını yarma bıçağıyla bıçağ ın ağız ı arasındaki mesafe 5 mm'den fazla olmayacak ve bıçağ ın kenarı yarma bıçağ ının alçak kenarını 5 mm'den fazla aşmayacak şekilde ayarlayın.

Sadece markalarla uyumlu bıçak çap ı/çapları kullanın.

Kesilecek malzemeye kullanılması uygun, doğru testere bıçağ ını belirleyin.

Sadece alet üzerinde işaretli hızı eşit veya ondan daha yüksek hızla sahip testere bıçaklarını kullanın.

Ahşap ve benzeri materyaller için kullanılacaksa, sadece üretici tarafından tavsiye edilen ve EN 847-1 uyumlu testere bıçakları kullanın.

Toz maskesi kullanın.

İş parçasını bir kelepçeleme aletiyle kelepçeleysin.

Kelepçelenmemiş iş parçaları ağır yaralanma ve hasara neden olabilir.

Kirli bıçak muhafazaları ürünün düzgün çalışmasını sınırlayarak ciddi kişisel yaralanmalara neden olabilir. Birlikmiş testere tozu olmadığ ından emin olmak için bıçak muhafazalarını başınığ ı havaya temizleyin. Uygun koruyucu gözlük ve maske takın.

Bıçak muhafazasını kontrol edip doğru çalıştığından emin olun. Bıçak muhafazasının düzgün çalıştığı kontrol etmek için aşağıdaki adımları izleyin.

- Bataryanın üründen çıkarıldığından emin olun.
- Kilitleme düğmesine basın.
- Ön kulpu kavrayın ve aşağı doğru basınç uygulayarak bıçağı açığ a çıkartın.
- Bıçak muhafazanın içine tamamen girene kadar ön kulpun yavaşça yükselmesine izin verin.
- Bıçak muhafazasının bıçağı tam olarak kapattığından emin olun.
- Şayet bıçak koruyucu yada yay düzgün bir şekilde çalışmıyor ise, testerenizi kullanmadan evvel tamir ettiriniz yada değiştiriniz.

Takıldığ ı zaman ürünü hemen kapatın. Ürün durduktan sonra tekrar çalıştırmayın. Tekrar çalıştırılması, yüksek tepki kuvvetiyle geri tepmeye neden olabilir. Güvenlik talimatlarını göz önünden uzaklaştırmadan, ürünün neden stop ettiğ ini belirleyin ve sorunu düzeltin.

Ürün üzerinde herhangi bir çalışma yapmaya başlamadan önce batarya takımını çıkartın.

PİL İÇİN EK GÜVENLİK UYARILARI

⚠ UYARI! Kısa devreden kaynaklanacak yangın, yaralanma ve maddi hasar risklerini azaltmak için etinizi, pil paketini ya da şarj cihazını asla bir sıvıya batırmayın, ya da içine sıvı girmesine izin vermeyin. Deniz suyu bazı sanayi kimyasalları, çamaşır suyu ya da çamaşır suyu içeren ürünler vb. gibi aşındırıcı ya da iletken sıvılar kısa devreye neden olabilir.

Kullanılmış pil paketlerini ev atıklarına katarak ya da yakarak bertaraf etmeyin. AEG Distribütörleri çevremizi korumak için eski pilleri geri almayı önerir.

Belirli bir süre kullanılmayan pil paketlerinin kullanılmadan önce yeniden şarj edilmesi gerekir.

Optimal bir ömür için, pil paketlerinin kullanımdan sonra yeniden şarj edilmesi gerekir.

30 günden uzun süre depolanacak batarya paketleri için:

- Batarya paketini 27 °C alt ı sıcaklıkta ve nemden uzakta depolayın.
- Batarya paketlerini %30-%50 şarj edilmiş durumda muhafaza edin.
- Her alt ı aylık depolamada, akü grubunu normal şekilde şarj edin.

EN
DE
FR
IT
ES
PT
NL
DA
NO
SV
FI
EL
TR
CS
SK
PL
HU
SL
HR
LV
LT
ET
RU
BG
RO
MK
UK
AR
i

Batarya paketi koruması

Batarya paketinin aşırı yüklemekten koruyan ve uzun ömür sağlayan bir aşırı yük koruması vardır.

Yoğun stres altında batarya elektronikleri aleti otomatik olarak kapatır. Yeniden çalıştırmak için ürünü kapatıp yeniden açın. Ürün yeniden çalışmazsa batarya paketi tamamen deşarj olmuş olabilir. Pil paketini şarj edin.

Lityum pillerin nakliyesi

Lityum-iyon pil, Tehlikeli Madde Düzenlemelerine gerekliliklerine tabidir.

Bu pillerin nakliyesi yerel, ulusal, uluslararası hüküm ve düzenlemelere uygun olarak yapılmalıdır.

- Piller ilave gereklilik olmaksızın kara yoluyla taşınabilir.
- Lityum-iyon pillerin üçüncü taraflarca ticari nakliyesi Tehlikeli Maddeler düzenlemelerine tabidir. Taşıma hazırlığı ve taşıma yalnızca uygun eğitilmiş kişilerce gerçekleştirilmeli ve taşıma sürecine ilgili uzmanlar eşlik etmelidir.

Pil taşırken:

- Kısa devreyi önlemek için pil kontak terminallerinin korumalı ve yalıtımlı olduğundan emin olun.
- Pil paketinin ambalaj içinde hareket etmeyecek gibi tespit edilmesini sağlayın.
- Çatlak veya sızıntı yapan pilleri nakletmeyin.
- Daha fazla bilgi için nakliye şirketine danışın.

ÜRÜNÜZÜ TANIYIN

Bkz. sayfa 2-3.

1. Daldırma kumanda kolu
2. Mil kilidi
3. Dış bıçak rondelası
4. Bıçak vidası
5. Toz girişi
6. Anahtar
7. Yarma bıçağı
8. Testere bıçağı
9. İz kelepçesi
10. Ön tutamak, yalıtılmış kavrama yüzeyi
11. Kilit açma düğmesi
12. Tutamak, yalıtılmış kavrama yüzeyi
13. Düğme tetik
14. Batarya takımı
15. Kesme derinliği düğmesi
16. Negatif 1° baypas kaydırıcısı
17. İz
18. Ray ayarlama düğmesi
19. Şev göstergesi
20. Eğim 45° baypas kolu
21. Açılı kilitleme düğmesi
22. 0° eğim ayar vidası
23. Paralel set vidası
24. 45° eğim ayar vidası

BAKIM

Plastik parçaları temizlerken solvent kullanmaktan kaçının. Çoğu plastik cinsi çeşitli ticari solvent türlerine duyarlıdır ve bunların kullanımı sonucu hasar görebilir. Kir, karbon tozu ve benzerini çıkarmak için temiz bez kullanın.

Sadece AEG aksesuarları ve yedek parçaları kullanın. Tanımlanmamış parçaların değiştirilmesi gerektiğinde, AEG servis acentelerimizden biriyle iletişime geçin (garanti/servis adresleri listemize bakın).

Gerektiğinde, ürünün parçaları dağıtık bir çizimi sipariş edilebilir. Ürün türünü ve etiketin üzerinde yazılı olan seri numarasını belirtin ve çizimi yerel servis temsilcinizden veya doğrudan şu adresten sipariş edin: Technonic Industries GmbH, Max-Eyth-Straße 10, 71364 Winnenden, Germany.

SEMBOLLER



Bu ürünü çalıştırmadan önce lütfen bu talimatları dikkate okuyun.



Doğru akım



Kulak koruyucu kullanın.



Uygun bir toz koruma maskesi kullanın.



Göz koruyucu ekipman kullanın.



Koruyucu eldiven kullanın.



Ellerinizi kesme alanı ve keskin bıçaktan uzak tutun.



Atık pilleri, atık elektrikli ve elektronik ekipmanı, sınıflandırılmamış belediye atığı olarak bertaraf etmeyin.

Atık piller ile atık elektrikli ve elektronik ekipmanlar ayrıca toplanmalıdır.

Atık pil, akü ve ışık kaynakları ekipmandan çıkarılmalıdır.

Yerel otorite veya satıcıdan geri dönüşüm tavsiyesi alın ve toplama noktasını öğrenin.

Yerel düzenlemelere göre perakendecilerin atık piller ile atık elektrikli ve elektronik ekipmanı ücretsiz olarak geri alma yükümlülüğü olabilir.

Atık piller ile atık elektrikli ve elektronik ekipmanların yeniden kullanımı ve geri dönüşümüne katkınız, ham madde talebini azaltmaya yardımcı olur.

Özellikle lityum içeren atık piller ile atık elektrikli ve elektronik ekipmanlar, çevreye uyumlu bir şekilde bertaraf edilmediği takdirde çevre ve insan sağlığını olumsuz yönde etkileyebilecek değerli, geri dönüştürülebilir malzemeler içerir.

Varsa, atık ekipmandaki kişisel verileri silin.

CS PŘEKLAD PŮVODNÍHO NÁVODU K OBSLUZE

ZAMÝŠLENÉ POUŽITÍ

Pásová pila je určena pro řezání a příčné řezání dřeva nebo podobných materiálů do maximální hloubky 58,5 mm. Výrobek může vytvářet rovné nebo zkosené řezy v rozsahu 0 až 45 stupňů.

Toto nářadí je určeno k ručnímu používání. Tento přístroj není určen k montáži na pracovní stůl. Výrobek nepoužívejte k řezání kovu nebo zdiva.

Nepoužívejte výrobek jinak než je uvedeno v určeném použití.

VAROVÁNÍ! Přečtěte si všechny bezpečnostní pokyny, ilustrace a specifikace dodané s tímto produktem. Nedodržení uvedených pokynů může způsobit požár, úraz elektrickým proudem a/nebo jiné vážné zranění.

Uchovajte si všechna upozornění a všechny pokyny pro pozdější potřebu.

BEZPEČNOSTNÍ VAROVÁNÍ TYKAJÍCÍ SE PÁSOVÉ PILY

Postup při řezání

NEBEZPEČÍ: Udržujte ruce mimo oblast řezání a kotouč. Jednou rukou držte hlavní rukojeť a druhou rukou předávnou rukojeť nebo ruku položte na kryt motoru. Tak se nemůže stát, že se vaše ruce dostanou do dráhy řezu nebo do dráhy pilového kotouče.

Nesahejte pod obrobek. V tomto místě ochranný kryt kotouče neposkytuje ochranu, neboť nezakrývá kotouč.

Nastavte hloubku řezu podle síly řezaného materiálu. Zuby pilového kotouče se při řezání nesmí zcela dostat pod úroveň řezaného materiálu.

Během řezání nikdy nedržte obrobek rukama ani přes nohu. Upevněte řezaný materiál do stabilního držáku. Rádné upevnění řezaného dílu je základním předpokladem bezpečného řezání. Správné upevnění zamezuje ohýbání pilového kotouče. Navíc budete mít nářadí pod kontrolou.

Pokud by řezný nástroj elektrického nářadí mohl přijít do styku se skrytými vodiči, držte jej během používání pouze na izolovaných plochách. Kontakt s „živými“ vodičem způsobí, že kovové části elektrického nástroje se stanou také „živými“ a způsobí obsluhu elektrický úraz.

Při provádění přímého (paralelního) řezu používejte vodičko nebo vodič lištu. Zvýší se přesnost řezu a omezí se riziko ohýbání kotouče.

Vždy používejte kotouč odpovídající velikosti a tvaru s vhodným upínacím průměrem. Pokud čepele neodpovídají montážnímu příslušenství pily, dojde k jeho vystředění a ztrátě kontroly.

Nikdy nepoužívejte poškozené nebo nevhodné šrouby a přiruby. Přiruby a šrouby jsou specifické pro váš model pily a jsou zárukou bezpečnosti nářadí a optimálního výkonu.

Zpětný vrh a související varování:

- Zpětný ráz je náhlá reakce na přichycení, zaseknutí nebo špatné zarovnaný pilový kotouč;
- Když je kotouč pevně přichycený nebo zaseknutý v zářezu, kotouč se zastaví a reakcí motoru se produkt rychle strhne směrem k uživateli;
- Pokud se pilový kotouč ohne nebo není v zákrytu, zuby v zadní části pilového kotouče se mohou zabořit do dřeva. Tím se pilový kotouč vymrští směrem k uživateli.

Zpětný vrh je tudíž způsoben nesprávným používáním nářadí a/ nebo nevhodným postupem při řezání, případně nevhodnými podmínkami řezání. Zpětnému vrhu - vymrštění nářadí lze předcházet dodržováním několika základních opatření.

Držte pevně nářadí oběma rukama a paže mějte v takové poloze, abyste mohli zabránit případnému vymrštění nářadí. Při řezání stůjte po straně pily, nikdy v ose dráhy pilového kotouče. Při zpětném vrhu dojde k náhlému vymrštění pily dozadu směrem k uživateli, ovšem tento pohyb lze kontrolovat, pokud si je uživatel bezpečně vědom a je na něj připraven.

Pokud dojde k zablokování kotouče v řezaném materiálu, dejte prst ze spouštěče a ponechte pilový kotouč v řezaném materiálu, dokud se nepřestane točit. Nikdy se nepokoušejte pilu odtáhnout od obrobku nebo táhnout pilu zpět, když je kotouč v pohybu nebo nastane zpětný vrh. Pokud pilový kotouč uvízne v řezaném materiálu, pokuste se nalézt příčinu a proveďte nápravu, aby k zablokování kotouče již nemohlo dojít.

Při opětovném zapnutí pily v obrobku vycentrujte čepel v zářezu tak, aby zuby pily nebyly v kontaktu s materiálem. Pokud se kotouč prohýbá, dojde při opětovném spuštění k vysunu nebo zpětnému rázu z obrobku.

Při řezání dlouhých dílů je nutné používat podpěru, aby pilový kotouč neměl sklony v materiálu blokovat. Tím se omezí nebezpečí vymrštění pily. Dlouhé díly mají tendenci se prohýbat v důsledku své vlastní váhy. Dlouhé díly můžete podepřít z obou stran, v blízkosti dráhy řezu a na konci řezaného dílu.

Nepoužívejte poškozené nebo tupé pilové kotouče. Tupé nebo nesprávně nasazené pilové kotouče jsou zdrojem tření, které zvyšuje riziko ohnutí kotouče a jeho vymrštění z řezaného materiálu.

Než začnete řezat, zkontrolujte, zda jsou knoflík pro blokování řezné hloubky a knoflík pro nastavení naklonění řádně utaženy. Pokud by v průběhu řezání došlo ke změně polohy pilového kotouče, pilový kotouč by se mohl zablokovat v řezaném materiálu a způsobit zpětný vrh.

Buďte velmi opatrní, když řezáte do zdi nebo jiných slepých oblastí. Pilový kotouč by mohl narazit na skryté předměty a mohlo by dojít k vymrštění kotouče směrem na uživatele.

Funkce krytu

Před použitím zkontrolujte, zda kryt řádně dovírá. Nespouštějte pilu, pokud se kryt nepohybuje volně a okamžitě uzavírá kotouč. Nikdy nepřichycujte ani neuvazujte kryt tak, aby byl kotouč obnažen. Dojde-li k náhodnému pádu pily, může se kryt ohnout. Zkontrolujte, zda se kryt volně pohybuje a nedotýká se kotouče ani jiných částí ve všech úhlech a hloubkách řezu.

Zkontrolujte provozuschopnost a stav vratné pružiny krytu. Pokud ochranný kryt nebo pružina nepracují správně, nechte je opravit nebo vyměnit, než začnete s pilou pracovat. Kryt může pracovat zpomaleně kvůli poškozeným částem, lepkavým usazeninám nebo nahromadění nečistot.

Ujistěte se, že se základní deska pily při provádění „ponorného řezu“ nemůže pohnout. Kotouč pohybující se do stran způsobí prohýbání a pravděpodobně také zpětný ráz.

Před položením pily na stůl nebo podlahu vždy zkontrolujte, zda kryt zakrývá kotouč. Pokud pilový kotouč není správně chráněn krytem, může se otáčet na základě setrvačnosti a přefízdnout vše, co se nachází v dráze řezu. Při řezání nezapomeňte, že po vypnutí motoru se pilový kotouč ještě chvíli otáčí.

Funkce rozeviracího klínu

Používejte pilový kotouč vhodný pro rozvírání klínů. Aby rozevirací klín fungoval, hlavní část kotouče musí být tenčí než rozevirací klín a šířka řezu kotouče musí být širší než tloušťka rozeviracího klínu.

Nastavte rozevirací klín podle návodu v této příručce. Nesprávná mezera, poloha a zarovnání může být příčinou neefektivního fungování rozeviracího klínu při zabránění zpětného rázu.

Aby rozevirací klín fungoval, musí se dotýkat obrobku. Bezpečnostní kryt kotouče je neúčinný při prevenci zpětného rázu při krátkých řezech.

Nepracujte s pilou, pokud je bezpečnostní kryt kotouče ohnutý. I sebemenší interference může zpomalit zavírání krytu.

DODATEČNÉ BEZPEČNOSTNÍ A PRAČOVNÍ POKYNY

Nepoužívejte brusný kotouč.

Upravte rozevirací klín tak, aby vzdálenost mezi rozeviracím klínem a hranou kotouče nebyla větší než 5 mm a hrana kotouče nepřesahovala více než 5 mm za nejnižší hranu rozeviracího klínu.

Používejte průměr pilových kotoučů podle označení.

Vyberte správný pilový kotouč pro řezaný materiál.

Používejte pouze pilové kotouče s označením otáček stejných nebo vyšších než je označení otáček pily.

Pokud chcete produkt používat na dřevo a podobné materiály, používejte pouze pilové kotouče doporučené výrobcem, které odpovídají normě EN 847-1.

Noste respirátor.

Upínadlo obrobku s upínacím zařízením. Neupnuté obrobky mohou způsobit vážné zranění nebo škody na majetku.

Zanesené kryty čepelí mohou omezit řádnou funkčnost výrobku a vést k závažnému úrazu. K odstranění pilin z krytu čepele použijte stlačení vzduch. Používejte náležitou ochranu očí a dýchacích cest.

Zkontrolujte a ujistěte se, že kryt kotouče správně funguje. Chcete-li zkontrolovat správnou funkci krytu kotouče, postupujte podle následujících kroků.

- Ujistěte se, že je z přístroje vyjmut akumulátor.
- Stiskněte tlačítko odjštění.
- Uchopte přední rukojeť a tlakem směrem dolů spusťte a odkryjte kotouč.
- Pomalu nechte přední rukojeť zvedat, dokud není kotouč zcela uvnitř krytu.
- Ujistěte se, že kryt kotouče zcela kryje kotouč.
- Pokud ochranný kryt nebo pružina nepracují správně, nechte je opravit nebo vyměnit, než začnete s pilou pracovat.

Pokud dojde k zastavení pily v důsledku přetížení, okamžitě ji vypněte. Pokud se sponkovačka zastaví, nezapínejte ji. Opětovné zapnutí může způsobit silný zpětný ráz. Určete příčinu zastavení sponkovačky a odstraňte ji. Dbejte přitom bezpečnostních pokynů. Před zahájením práce na reflektoru vyjměte baterii.



DOPLŇUJÍCÍ BEZPEČNOSTNÍ UPOZORNĚNÍ K BATERII

VAROVÁNÍ! Ke snížení rizika požáru, úrazu a poškození výrobku v důsledku zkratu nikdy nenořte přístroj, akumulátor ani nabíječku do tekutiny a nedovoďte, aby do nich tekutina vnikla. Korozivní a vodivé tekutiny, například mořská voda, určité průmyslové chemikálie a bělidla nebo prostředky s obsahem bělidel a podobné látky mohou způsobit elektrický zkrat.

Nelikvidujte baterie v domovním odpadu či ohni. Distributoři AEG nabízejí odběr starých baterií pro ochranu životního prostředí.

Baterie, které nebyly nějakou dobu používány, by měly být před použitím dobity.

Pro optimální životnost by se akumulátory měly po použití plně dobit.

Při nepoužívání baterie po dobu delší než 30 dní:

- Uložte baterii na místě s teplotou pod 27 °C a bez vlhkosti.
- Skladujte baterie ve stavu nabití na 30–50 % kapacity.
- Každých šest měsíců skladování nabijte akumulátor obvyklým způsobem.

Ochrana baterie

Baterie obsahuje ochranu proti přetížení, která pomáhá prodlužovat její životnost.

Elektronické obvody baterie vypnou přístroj automaticky při nadměrném zatížení. Restartování provedte vypnutím a opětovným zapnutím přístroje. Pokud se zařízení nespustí, může být úplně vybitá baterie. Nabití baterii.

Transport lithiových baterií

Lithium-iontová baterie podléhá legislativě o nebezpečném zboží.

Přeprava takových akumulátorů musí probíhat podle místních, státních a mezinárodních opatření a předpisů.

- Převážení baterií nevyžaduje další opatření.
- Komerční přeprava lithium-iontových akumulátorů třetími stranami podléhá předpisům týkajících se nebezpečného zboží. Přípravu na přepravu a přepravu je výlučně nutné provádět řádně vyškolenými osobami a proces musí být pod dohledem odpovídajících odborníků.

Při přepravě akumulátorů:

- Ujistěte se, že kontakty baterie jsou chráněny a izolovány, aby se zabránilo zkratu.
- Zajistěte, aby akumulátory byly v obalu zajištěny proti pohybu.
- Nepřepravujte prasklé nebo baterie s unikajícím elektrolytem.
- Ptejte se u zásilkové společnosti na další radu.

POZNEJTE SVŮJ PRODUKT

Viz strana 2-3.

1. Páčka ovládání ponorného řezu
2. Aretace vřetene
3. Vnější podložka čepele
4. Přídavný šroub kotouče
5. Odsávání prachu
6. Klíč
7. Rozvírací klín
8. Pilový kotouč
9. Připevňovací svorka
10. Přední rukojeť s izolací a protiskluzovým povrchem
11. Blokovací tlačítko
12. Rukojeť s izolací a protiskluzovým povrchem
13. Spoušť
14. Akumulátor
15. Tlačítko hloubky řezu
16. Negativní 1° posuvník obehití
17. Kolečko posuvu
18. Seřizovací knoflík pásu
19. Indikátor zkosení
20. Páčka obehití při zkosení 45°
21. Knoflík zámků sklonu
22. Stavěcí šroub pro zkosení 0°
23. Paralelní stavěcí šroub
24. Stavěcí šroub pro zkosení 45°

ÚDRŽBA


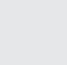
Při čištění plastových částí nepoužívejte rozpouštědla. Většina plastů nesnáší různé druhy komerčně dostupných rozpouštědel

a mohou být při jejich použití poškozena. K odstranění špíny, uhlíkového prachu apod. používejte čistý hadřík.

Používejte pouze příslušenství AEG a náhradní díly AEG. Pokud je potřeba vyměnit díly a není to popsáno, obraťte se prosím na jednoho z našich servisních zástupců AEG (podívejte se na náš seznam záručních/servisních adres).

V případě potřeby je možno objednat podrobný náčrtek výrobku. Uvedte typ přístroje a jeho sériové číslo uvedené na štítku a objednejte si výkres u svých místních servisních zástupců nebo přímo na adrese: Technicon Industries GmbH, Max-Eyth-Straße 10, 71364 Winnenden, Germany.

SYMBOLY

	Před používáním tohoto výrobku si důkladně přečtete pokyny.
	Stejnoseměrný proud
	Používejte chrániče sluchu.
	Používejte vhodnou protiprachovou ochrannou masku.
	Noste ochranné brýle.
	Používejte ochranné rukavice.
	Udržujte ruce v dostatečné vzdálenosti od řezného prostoru a ostrého pilového kotouče.
	Nelikvidujte vybité baterie a elektrické a elektronické zařízení společně s netříděným komunálním odpadem.
	Vybité baterie a elektrický a elektronický odpad musí být shromažďovány odděleně.
	Vybité baterie, akumulátory a odpadní světelné zdroje musí být od zařízení odděleny.
	Zjistěte si u místní samosprávy nebo u maloobchodníka, jaké jsou pokyny k recyklaci a kde je sběrné místo.
	Podle místních nařízení mohou mít maloobchodníci povinnost brát bezplatně zpět vybité baterie, elektrický a elektronický odpad.
	Když budete přispívat k opětovnému použití a recyklaci vybitých baterií, elektrického a elektronického odpadu, pomůže to snížit potřebu surovin.
	Vybité baterie, zejména ty s obsahem lithia, elektrický a elektronický odpad obsahují cenné recyklovatelné materiály, které mohou mít nepříznivý vliv na životní prostředí a lidské zdraví, nepodou-li zlikvidovány ekologickým způsobem.
	Odstraňte z odpadu osobní údaje, pokud nějaké obsahuje.

SK PREKLAD ORIGINÁLU POKYNOV

ŠPECIFIKOVANÉ PODMIENKY POUŽITIA

Pásová píla je určená na kolmé a priečne rezanie dreva alebo podobných materiálov do maximálnej hĺbky 58,5 mm. Výrobok môže vytvárať rovné alebo skosené rezy v rozsahu 0 až 45 stupňov.

Tento produkt bol navrhnutý na ručné používanie. Tento výrobok nie je určený na namontovanie na pracovný stôl. Výrobok nepoužívajte na rezanie kovu ani muriva.

Tento produkt nepoužívajte žiadnym iným spôsobom, ako je uvedené v účele použitia.

VAROVANIE! Prečítajte si všetky pokyny s bezpečnostnými výstrahami, obrázky a parametre uvádzané pre tento výrobok. Pri nedodržaní pokynov uvedených nižšie môže dôjsť k úrazu elektrickým prúdom, požiaru alebo závažnému osobnému poraneniu.

Všetky výstrahy a pokyny si odložte na použitie v budúcnosti.

BEZPEČNOSTNÉ UPOZORNENIA TYKAJÚCE SA PÁSOVEJ PÍLY

Postupy rezania

NEBEZPEČENSTVO: Ruky nedávajte do blízkosti oblastí rezania a ostria. Druhú ruku nechajte na pomocnej rukoväti alebo kryte motora. Ak držíte rukoväť s obidvomi rukami, kotúč ich neporeže.

Nesiahajte pod obrobok. Kryt vás neochráni pred kotúčom.

Hĺbku rezania nastavte podľa hrúbky obrobku. Pod obrobkom by mal byť viditeľný menej ako jeden zub zo zubov ostria.

Počas rezania nikdy nedržte obrobok rukami ani na stehne. Zaisťte obrobok k stabilnej podložke. Je dôležité obrobok správne podprieť, aby sa čo najviac minimalizovalo vystavenie tela, zovieranie ostria alebo strata kontroly.

Pri vykonávaní činnosti, kedy môže rezný nástroj prísť do kontaktu so skrytými kabelážou, držte elektrické náradie len za izolovanú povrchu na uchopenie. Styk so „živými“ vodičom tiež spôsobí, že kovové časti elektrického nástroja sa tiež stanú „živými“ a môžu obsluhujúcej osobe spôsobiť zásah elektrickým prúdom.

Pri pozdĺžnom rezaní vždy použite paralelné vodidlo alebo rovné vodidlo. Zlepši sa tak kvalita rezu a zníži sa pravdepodobnosť zovretia ostria.

Vždy používajte ostria s otvormi na hriadeľ správnej veľkosti a tvaru (kosoštvorcové alebo okrúhle). Čepele, ktoré nezodpovedajú montovanému príslušenstvu pily, nebudú vycentrované, čo spôsobí stratu kontroly.

Nikdy nepoužívajte poškodené alebo nevhodné podložky alebo maticu. Podložky ostria boli špeciálne navrhnuté pre túto pílu na dosiahnutie optimálnej výkonnosti a bezpečnej prevádzky.

Spätný náraz a súvisiace výstrahy:

- spätý náraz je náhla reakcia zovretej, uviaznutej alebo nesprávne zarovnanej pilovej čepele, ktorá spôsobí nekontrolované zdvihnutie pily z obrobku smerom k obsluhe;
- keď sa čepeľ zasekne alebo pevne uviazne v uzatvorenom reze, zastaví sa a reakcia motora bude hnať jednotku rýchlo dozadu, smerom k obsluhe;
- Ak sa ostrie v reze skrúti alebo vyosí, zuby na zadnom okraji ostria sa môžu zaryť do horného povrchu dreva, čo spôsobí, že ostrie sa vyšplhá zo zárezu a odsokí smerom k obsluhujúcej osobe.

Spätný náraz je výsledok nesprávneho používania pily a/alebo nesprávnych prevádzkových postupov a možno mu predchádzať vykonávaním príslušných predbežných opatrení uvedených nižšie.

Udržujte pevný úchop na pile a držte telo a rameno v polohe, ktorá vám umožní odolávať sile spätného nárazu. Telo umiestnite na jednu stranu ostria, nie do jeho línie. Spätný náraz by mohol spôsobiť odsokčenie pily dozadu, ale sily spätného nárazu môže obsluhujúca osoba ovládať, ak vykoná príslušné opatrenia.

Keď sa kotúč zoviera alebo z akejkoľvek príčiny prerušíte rez, uvoľnite spínač a držte pílu nehybne v materiáli, kým sa ostrie úplne nezastaví. Nikdy sa nepokúšajte vybrať pílu z obrobku alebo ťahať ju dozadu, kým sa ostrie pohybuje, inak môže dôjsť k spätnému nárazu. Zistite a vykonajte nápravné kroky a eliminujte príčinu zovierania ostria.

Pri opätovnom nastartovaní pily v obrobku vycentrujte čepeľ pily v záreze, aby neboli zuby pily zaseknuté v materiáli. Ak píla uviazne, po opätovnom spustení sa môže posunúť smerom nahor alebo dôjde k spätnému nárazu smerom do obrobku.

Veľké panely podprite, aby sa minimalizovalo riziko zovretia kotúča a spätného nárazu. Veľké panely sa zvyknú prehybať pod vlastnou váhou. Podpery sa musia umiestniť pod panel na oboch stranách, v blízkosti línie rezania a v blízkosti okraja panela.

Nepoužívajte otupené alebo poškodené príslušenstvo. Nezaostrené alebo nesprávne nasadené kotúče vytvárajú úzky zárez a dochádza k nadmernému treniu, zovieraniu ostria a spätnému nárazu.

Pačky nastavenia hĺbky a úkosu ostria musia byť pred rezaním uťahnuté a zaistené. Ak sa nastavenie kotúča počas rezania posunie, môže spôsobiť zovretie a spätný náraz.

Pri pílení do existujúcich stien alebo iných neznámych priestorov dajte na opatnosť. Vyčnievajúce ostrie môže porezať objekty a následne spôsobiť spätný náraz.

Funkcia chrániča

Pred každým použitím skontrolujte, či sa chránič správne zatvára. Nepoužívajte pílu, ak sa kryt voľne nepohybuje a okamžite uzavrite čepel. Chránič nikdy neupínajte ani nepriväzujte tak, aby nebola čepeľ chránená. V prípade náhodného pádu pily sa môže kryt ohnúť. Skontrolujte, či sa kryt pohybuje voľne a či sa nedotýka čepele alebo inej časti vo všetkých uhloch a hĺbkach rezu.

Skontrolujte fungovanie a stav vratnej pružiny chrániča. Ak kryt a pružina nefungujú správne, pred použitím sa na nich musí vykonať servis. Kryt môže fungovať pomaly kvôli poškodeným súčastiam, lepkavým usadeninám alebo nahromadeným nečistotám.

Uistite sa, že sa základná doska pily pri vykonávaní „ponorného rezania“ neposúva. Čepeľ, ktorá sa bude pohybovať do strán, spôsobí uviaznutie a pravdepodobne spätný náraz.

Pred umiestnením pilky na stôl alebo podlahu vždy skontrolujte, či kryt zakrýva čepeľ. Nechránené ostrie bežiacie na voľnobeh spôsobí spätný pohyb pily, pričom poreže všetko v ceste. Dávajte pozor na čas, ktorý potrvá, kým sa ostrie zastaví po uvoľnení spínača.

Funkcia štiepacieho noža

Pre štiepací nôž používajte správnu pilovú čepeľ. Aby mohol štiepací nôž fungovať, telo čepele musí byť tenšie ako štiepací nôž a šírka rezu rezu čepele musí byť širšia ako hrúbka štiepacieho noža.

Štiepací nôž nastavte podľa opisu v tomto návode na obsluhu. Nesprávne priestorové usporiadanie, poloha a zarovnanie môžu mať za následok neúčinnosť štiepacieho noža a spätný náraz.

Aby štiepací nôž fungoval, musí byť v obrobku. Štiepací nôž nemôže počas krátkych rezov účinne zabrániť spätnému rázu.

Pílu nepoužívajte, ak je štiepací nôž ohnutý. Aj malá prekážka môže spomaliť rýchlosť zatvárania chrániča.

DODATOČNÉ BEZPEČNOSTNÉ A PRACOVNÉ POKYNY

Nepoužívajte žiadne abrazívne kotúče.

Používajte len čepele s priemerom podľa označenia. Nájdiť správnu čepeľ na použitie na rezaný materiál.

Používajte len také pilové čepele, ktoré sú označené rýchlosťou, ktorá sa rovná alebo je vyššia než rýchlosť vyznačená na nástroji.

Používajte pilové čepele odporúčané výrobcom, ktoré vyhovujú požiadavkám normy EN 847-1, ak sú určené pre drevo a obdobné materiály.

Používajte protiprachovú masku.

Upnite obrobok pomocou upínacieho zariadenia. Neupnuté obrobky môžu spôsobiť závažné poranenie a škody.

Špinavé chrániče čepele môžu brániť výrobku v riadnom fungovaní s následkom vážneho zranenia osôb. Vyčistite chrániče čepele stlačným vzduchom, aby ste zaistili, že nedochádza k nahromadeniu pilín. Noste náležitú ochranu očí a dýchacích orgánov.

Skontrolujte a uistite sa, že kryt čepele funguje správne. Podľa nasledujúcich krokov skontrolujte správnu funkciu krytu čepele.

- Z výrobku vyberte batériu.
- Stlačte poistné tlačidlo.

EN
DE
FR
IT
ES
PT
NL
DA
NO
SV
FI
EL
TR
CS
SK
PL
HU
SL
HR
LV
LT
ET
RU
BG
RO
MK
UK
AR
i

- Uchopte prednú rukoväť a tlakom smerom nadol spustíte a odkryte čepeľ.
- Pomaly nechajte prednú rukoväť stúpať, kým sa čepeľ nedostane úplne dovnútra krytu.
- Kryt čepele musí úplne zakryť čepeľ.
- Ak kryt a pružina nefungujú správne, pred použitím sa na nich musí vykonať servis.

Ak dôjde k zastaveniu výrobu, okamžite ho vypnite. Po zastavení výrobok znova nezapínajte. Opätovné zapnutie bude mať za následok spätný ráz s vysokou reakčnou silou. Zistíte, prečo sa výrobok zastavil, odstráňte príčinu zastavenia a dodržiavajte pritom bezpečnostné pokyny.

Vyberte sadu batérií pred vykonávaním akýchkoľvek prác na výrobu.

DOPLNKOVÉ BEZPEČNOSTNÉ VÝSTRAHY PRE BATÉRIU

VAROVANIE! Aby ste znížili riziko požiaru alebo poškodenia výrobku skratom, nikdy vaše náradie, akumulátor ani nabíjačku neponárajte do kvapaliny ani nedovoľte, aby sa do nich kvapalina dostala. Zieravé a vodivé kvapaliny, ako je morská voda, určité priemyselné chemikálie a bieliadlo alebo bieliadlo obsahujúce produkty atď. môžu spôsobiť skrat.

Použitie akumulátory nevyhadzujte do komunálneho odpadu ani ich nespájajte. Predajcovia výrobkov značky AEG ponúkajú službu prevzatia starých akumulátorov, aby sa šetrilo naše životné prostredie. Akumulátory, ktoré ste nejaký čas nepoužívali, treba pred použitím nabiť.

Na dosiahnutie optimálnej životnosti je nutné akumulátory po použití nabiť.

Pre skladovanie akumulátora dlhšie ako 30 dní:

- Akumulátor skladujte na mieste s teplotou nižšou než 27 °C a chránený pred vlhkosťou.
- Akumulátory skladujte nabité na 30 % – 50 %.
- Po každých šiestich mesiacoch skladovania nabite batériu na normálnu úroveň.

Ochrana akumulátora

Akumulátor má ochranu proti preťaženiu, ktorá ho chráni pred preťažením a pomáha zabezpečiť dlhú životnosť.

Pri extrémnom zaťažení elektronika batérie automaticky vypne výrobok. Ak chcete výrobok reštartovať, vypnite ho a znova zapnite. Ak sa výrobok znova nespustí, akumulátor môže byť úplne vybitý. Nabite akumulátor.

Preprava lítiových akumulátorov

Lítium-iónový akumulátor podlieha legislatíve pre nebezpečné náklady.

Prepravu týchto akumulátorov treba vykonávať podľa miestnych, štátnych a medzinárodných ustanovení a nariadení.

- Akumulátory sa môžu prepravovať po cestách bez ďalších požiadaviek.
- Na komerčnú prepravu lítium-iónových akumulátorov tretími stranami sa vzťahujú nariadenia o nebezpečných tovaroch. Prípravu na prepravu a samotnú prepravu musia vykonávať výlučne primerane zaškolené osoby a tento proces musí byť doprevádzaný zodpovedajúcimi odborníkmi.

Pri preprave akumulátorov:

- Skontrolujte, či sú konektory akumulátorov sú chránené a izolované, aby nedošlo ku skratu.
- Akumulátor v balení zaistite proti pohybu.
- Neprepravujte akumulátory, ktoré sú prasknuté alebo vytekajú.
- Ďalšie pokyny zistíte u nasledujúcej spoločnosti.

SPOZNAJTE SVOJ VÝROBK

Pozri stranu 2-3.

1. Páčka ovládania ponorenia
2. Poistka vretena
3. Vonkajšia podložka čepele
4. Skrutka pílovej čepele
5. Otvor na odsávanie prachu
6. Kľúč
7. Štiepací nôž
8. Pílový kotúč
9. Príchytky na dráhu
10. Predná rukoväť, izolovaný povrch na držanie









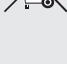
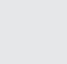
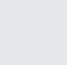
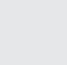
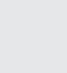
11. Poistné tlačidlo
12. Rúčka, izolovaný povrch na držanie
13. Vypínač
14. Súprava batérií
15. Tlačidlo hĺbky rezu
16. Negatívny premostovací posúvač 1 °
17. Dráha
18. Gombík nastavenia pásu
19. Indikátor skosenia
20. Páka premostenia s úkosom 45 °
21. Blokovací gombík šikmého rezu
22. Nastavovacia skrutka s úkosom 0 °
23. Paralelná nastavovacia skrutka
24. Nastavovacia skrutka s úkosom 45 °

UDRŽBA

Pri čistení plastových dielov nepoužívajte rozpúšťadlá. Väčšina plastov je náchylná na rôzne typy bežne predávaných rozpúšťadiel a môže sa ich použitím poškodiť. Na odstránenie nečistôt, uhlíkového prachu a podobných nečistôt používajte čisté handričky. Používajte len príslušenstvo AEG a náhradné diely AEG. Ak potrebujete vymeniť súčasti, ktoré tu nie sú opísané, kontaktujte jedného zo servisných zástupcov spoločnosti AEG (pozrite si zoznam adries pre potreby uplatnenia záruky alebo vykonania servisu).

V prípade potreby si môžete rozvinutý pohľad na výrobok objednať. Uvedte typ výrobku a sériové číslo vytlačené na štítku a objednať si výkres u vašich miestnych servisných zástupcov alebo priamo na adrese: Technonic Industries GmbH, Max-Eyth-Straße 10, 71364 Winnenden, Germany.

SYMBOLY

	Pred spustením výrobu si dôkladne prečítajte pokyny.
	Jednosmerný prúd
	Používajte chrániče sluchu.
	Používajte vhodnú masku na ochranu pred prachom.
	Používajte ochranu zraku.
	Používajte ochranné rukavice.
	Ruky držte v bezpečnej vzdialenosti od rezného priestoru a ostrej čepele.
	Odpadové batérie a akumulátory a odpadové elektrické a elektronické zariadenia nelikvidujte ako netriedený komunálny odpad.
	Odpadové batérie a akumulátory a odpadové elektrické a elektronické zariadenia sa musia zbierať separovane.
	Odpadové batérie, odpadové akumulátory a svetelné zdroje treba z výrobku vybrať.
	Pokyny na recykláciu a miesta recyklácie zistíte u vášho miestneho orgánu alebo predajcu.
	Podľa miestnych predpisov môžu mať maloobchodníci povinnosť bezplatne prevziať odpadové batérie a akumulátory a odpadové elektrické a elektronické zariadenia.
	Váš príspevok k opätovnému použitiu a recyklácii odpadových batérií a akumulátorov a odpadových elektrických a elektronických zariadení pomáha znižovať dopyt po surovinách.

Odpadowe baterie a akumulatory, konkretnie te, które obsahujú lítium, a odpadowe elektrické a elektronicke zariadenia obsahujú cenné, recyklovateľné materiály, ktoré môžu mať nepriaznivý vplyv na životné prostredie a ľudské zdravie, ak sa nelikvidujú ekologicky vhodným spôsobom.

Odstráňte prípadné osobné údaje z odpadowého zariadenia.

niekontrolované podniesenie i wyrzucenie píly z obrabianego przedmiotu w kierunku operatora;

- gdy tarcza ulega zacięciu lub ściśnięciu przez zamykające się krawędzie, zostaje zatrzymana, a reakcja silnika powoduje szybki powrót urządzenia w kierunku operatora;
- Kiedy tarcza się wygina lub jest źle zrównana, zęby znajdujące się z tyłu tarczy mogą się zagłębić w drewnie, co spowoduje gwałtowny odrzut tarczy z obrabianego przedmiotu w kierunku użytkownika.

Odbicie jest wynikiem złego użycia narzędzia i /lub niepoprawnego sposobu lub warunków cięcia. Można go uniknąć podejmując środki ostrożności.

Należy mocno trzymać pilarkę dwoma rękami i ustawić ramiona tak, by móc kontrolować ewentualne odbicie.

Trzymajcie się zawsze z boku pilarki, kiedy jej używacie nigdy nie stawiajcie w linii cięcia tarczy. Odbicie wyrzuca nagle pilarkę do tyłu, ale może być kontrolowane, jeżeli użytkownik to przewiduje i jest na to przygotowany.

Jeżeli tarcza się zaklinuje, lub musicie w jakiejś przyczynie przerwać cięcie, zwolnicie spust i trzymajcie pilarkę w obrabianym przedmiocie do czasu aż tarcza zupełnie przestanie się obracać. Nie wolno próbować wyciągać pily z obrabianego materiału, podczas gdy tarcza tnąca jeszcze się obraca; grozi to wystąpieniem zjawiska odrzutu. Kiedy tarcza się klinuje, szukajcie przyczyny i podejmijcie środki zapobiegawcze, by to się nie powtórzyło.

Przy ponownym uruchamianiu pily w obrabianym przedmiocie należy tak wysrodkować tarczę w razie, aby zęby pilarki nie zostały wciągnięte w materiał. W przypadku zakleszczenia tarczy pily może ona przemieszczać się w górę lub odbijać się od obrabianego przedmiotu w momencie ponownego uruchomienia pily.

W celu zmniejszenia ryzyka zaklinowania tarczy lub odbicia, dopilnicie by długie elementy były podparte. Długie elementy do obróbki mają skłonność do uginania się pod własnym ciężarem. Możecie ustawić wsporniki po obu stronach przedmiotu do obróbki, blisko linii cięcia i na końcu przedmiotu.

Nie używajcie uszkodzonych lub stępionych tarcz. Tarcze nienaostrome lub źle zamontowane będądawały cięcie powodujące nadmierne tarcie tarczy i zwiększenie ryzyka wygięcia czy odbicia.

Przed rozpoczęciem cięcia, sprawdźcie czy przyciski regulacji głębokości cięcia i nachylenia są należycie zablokowane. Jeżeli ustawienia pozycji tarczy zmieniają się podczas cięcia, tarcza może się zaklinować i może nastąpić odbicie.

Należy zachować szczególną ostrożność w przypadku cięcia istniejących ścian lub innych konstrukcji nieprzelotowych. Tarcza mogłaby uderzyć o ukryte przedmioty, co doprowadziłoby do odbicia.

Funkcja osłony

Przed każdym użyciem należy sprawdzić, czy osłona jest prawidłowo zamknięta. Nie wolno używać pilarki, jeśli osłona nie porusza się swobodnie i nie obejmuje tarczy. Nigdy unieruchamiać osłony w położeniu, w którym tarcza jest odsłonięta. Przypadkowe upuszczenie pilarki może spowodować wygięcie osłony. Należy sprawdzić, czy osłona porusza się swobodnie i nie dotyka tarczy tnącej ani żadnej innej części pod każdym kątem i na każdej głębokości cięcia.

Sprawdzić działanie i stan sprężyny powrotnej osłony. Jeżeli osłona działy i sprężyna nie funkcjonują sprawnie, oddajcie je do naprawy lub wymiany przed użyciem pilarki. Osłona może działać wolno z powodu uszkodzenia części, kleistych osadów lub nagromadzenia zanieczyszczeń.

Należy upewnić się, że płyta podstawy pilarki nie przesunie się podczas wykonywania cięcia wglębnego. Przesunięcie tarczy w bok spowoduje zakleszczenie, co może doprowadzić do odbicia.

Przed odłożeniem pilarki na stół lub podłogę należy zawsze upewnić się, że osłona zakrywa tarczę tnącą. Jeżeli tarcza nie jest należycie zakryta, może się obracać bezwładnościowo i ciąć to co znajduje się w jej torze cięcia. Zdajcie sobie sprawę z faktu, że tarcza obraca się jeszcze przez pewien czas po wyłączeniu silnika.

Funkcjonowanie klina rozszczepiającego

Należy zastosować tarczę tnącą dopasowaną do wymiarów klina rozszczepiającego. Aby klin rozszczepiający mógł prawidłowo spełniać swoje zadanie, korpus tarczy musi być cieńszy

PL TŁUMACZENIE ORYGINALNEJ INSTRUKCJI

WARUNKI UŻYTKOWANIA

Prowadnica do pilarki jest przeznaczona do cięcia równoległego i poprzecznego drewna lub podobnych materiałów do maksymalnej głębokości 58,5 mm. Produkt może wykonywać cięcia proste lub ukośne w zakresie od 0 do 45 stopni.

Ten produkt przeznaczony jest do trzymania w dłoni. Produktu nie należy montować na stole warsztatowym. Nie używać produktu do cięcia metalu lub muru.

Nie należy używać tego produktu niezgodnie z przeznaczeniem.

⚠ OSTRZEŻENIE! Należy zapoznać się ze wszystkimi dostarczonymi z tym produktem instrukcjami, ilustracjami i specyfikacjami. Nie przestrzeganie przedstawionych niżej zaleceń mogłoby pociągnąć za sobą wypadki takie jak pożary, porażenia prądem elektrycznym i /lub poważne obrażenia ciała.

Zachować wszystkie ostrzeżenia i instrukcje do wglądu na przyszłość.

OSTRZEŻENIA DOTYCZĄCE PROWADNICY DO PILARKI

Procedury cięcia

⚠ NIEBIEPIECZEŃSTWO: Trzymać dłonie z dala od miejsca cięcia i tarczy tnącej. Ręka, która nie trzyma głównego uchwyty narzędzia, powinna trzymać uchwyt pomocniczy lub opierać się na obudowie silnika. W ten sposób wasze ręce nie znajdą się w strefie cięcia, na torze tarczy.

Nie sięgać pod obrabiany przedmiot. W tym miejscu osłona tarczy nie może Was chronić, gdyż nie pokrywa tarczy.

Wyregulujcie głębokość cięcia w zależności od grubości obrabianego przedmiotu. Zęby tarczy nie powinny wystawać całkowicie pod obrabianym przedmiotem podczas cięcia.

Podczas cięcia nigdy nie należy trzymać obrabianego elementu w dłoniach lub w poprzek nogi. Przymocujcie obrabiany przedmiot do stabilnego wspornika. Najważniejsze jest należyte zamocowanie przedmiotu do obróbki, tak by uniknąć wszelkiego ryzyka zranienia, nie należy zginać tarczy by nie utracić kontroli nad narzędziem.

W trakcie pracy trzymać elektronarzędzie za izolowane uchwyty, ponieważ w precyzyjnym przypadku narzędzie tnące może zetknąć się z ukrytymi przewodami. Zetknięcie z przewodem pod napięciem spowoduje, że wszystkie metalowe części elektronarzędzia będą również pod napięciem, co w rezultacie spowoduje porażenie prądem operatora.

Podczas wykonywania cięcia równoległego używajcie zawsze albo prowadnika cięcia równoległego albo przelot listwy. Wtedy precyzja cięcia ulepszy się i unikniecie ryzyka zgięcia tarczy.

Używajcie zawsze tarcz o wymiarze i kształcie dostosowanym do otworu mocującego wrzeciona. Tarcze, które nie pasują do elementów mocujących pily, będą się obracać mimosłownie, co może spowodować utratę kontroli nad urządzeniem.

Nigdy nie używajcie śrub czy kołnierzy tarcz, które są zdefektowane lub niedostosowane. Śruby i kołnierze tarcz zostały zaprojektowane specjalnie do waszego modelu pilarki z myślą o optymalnym bezpieczeństwie i osiągnięciach.

Przyczyny odrzutu i powiązane ostrzeżenia:

- odbicie to nagła reakcja na zaciśnięcie, zacięciu lub nieprawidłowe ustawienie tarczy pily, powodująca



niż sam klin rozszczepiający, a szerokość cięcia ostrza tnącego tarczy musi być większa niż grubość noża rozszczepiającego.

Ustawić klin rozszczepiający w sposób opisany w niniejszej instrukcji obsługi. Niewłaściwe odstępy, ustawienie i wyrównanie mogą sprawić, że klin rozszczepiający nie będzie skutecznie zapobiegał odbiciu.

Aby klin rozszczepiający działał prawidłowo, musi mieć dobry kontakt z obrabianym elementem. Klin rozszczepiający jest nieskuteczny w zapobieganiu odbiciom podczas krótkich cięć.

Nie wolno używać pilarki, jeśli klin rozszczepiający jest wygięty. Nawet niewielkie przeszkody mogą spowolnić szybkość zamykania osłony.

DODATKOWE ŚRODKI BEZPIECZEŃSTWA I INSTRUKCJA EKSPLOATACJI

Nigdy nie używajcie tarczy ścierniej.

Upewnij się, że klin rozszczepiający jest wyregulowany tak, by odległość między nim a obrzeżem tarczy nie była większa niż 5 mm, a obrzeże tarczy nie wystawało poza najniższą krawędź klina rozszczepiającego więcej niż 5 mm.

Stosować wyłącznie tarcze o średnicy(-ach) zgodnej(-ych) z oznaczeniami.

Zidentyfikować prawidłową tarczę tnącą dopasowaną do przeznaczonego do cięcia materiału.

Stosować wyłącznie tarcze, na których podano prędkość co najmniej równą prędkości podanej na narzędziu.

Stosować wyłącznie tarcze zalecane przez producenta, które spełniają wymagania normy EN 847-1, o ile są przeznaczone do drewna i podobnych materiałów.

Noś maskę przeciwpyłową.

Obrabiany element należy zamocować za pomocą zacisku. Niezabezpieczone elementy mogą spowodować poważne obrażenia ciała i uszkodzenia.

Zanieczyszczone osłony tarczy mogą utrudniać prawidłowe działanie produktu, powodując poważne obrażenia ciała. Wyciągnij osłonę tarczy sprężonym powietrzem, aby upewnić się, że nie gromadzi się na nich pył z piły. Stosować odpowiednią ochronę oczu i dróg oddechowych.

Sprawdź i upewnij się, że osłona tarczy działa prawidłowo. Wykonać poniższe kroki, aby sprawdzić prawidłowe działanie osłony tarczy.

- Upewnij się, że akumulator został wyjęty z produktu.
- Nacisnąć przycisk blokady.
- Chwyć za przedni uchwyt i wywierać nacisk w dół, aby opuścić i odsłonić tarczę.
- Poczekać, aż przedni uchwyt podniesie osłonę, dopóki tarcza nie znajdzie się całkowicie wewnątrz osłony.
- Upewnij się, że osłona tarczy w pełni ją osłania.
- Jeżeli osłona tarczy i sprężyna nie funkcjonują sprawnie, oddajcie je do naprawy lub wymiany przed użyciem pilarki.

W przypadku samoczynnego zatrzymania natychmiast wyłączyć produkt. Nie włączać produktu po samoczynnym zatrzymaniu. Ponowne włączenie może spowodować zjawisko odrzutu z dużą siłą. Określić przyczynę samoczynnego zatrzymania i usunąć ją, zwracając uwagę na zalecenia dotyczące bezpieczeństwa.

Przed rozpoczęciem pracy z produktem wymontować akumulator.

AKUMULATOR — DODATKOWE OSTRZEŻENIA DOTYCZĄCE BEZPIECZEŃSTWA

⚠ OSTRZEŻENIE! Aby ograniczyć ryzyko pożaru, obrażeń oraz uszkodzenia produktu z powodu zwarcia, nigdy nie zanurzaj narzędzia, akumulatora ani ładowarki w płynie ani nie dopuszczaj do przedostania się płynu do ich wnętrza. Płynny żrący lub przewodzący, takie jak woda morska, niektóre chemikalia przemysłowe, a także wybielacze lub produkty zawierające wybielacze itp. mogą powodować zwarcie.

Nie należy wyrzucać zużytych akumulatorów z odpadami domowymi ani ich palić. Dystrybutorzy sprzętu AEG oferują odbiór zużytych akumulatorów w celu ochrony środowiska.

Akumulatory, które nie były używane od pewnego czasu, należy ponownie naładować przed użyciem.

W celu uzyskania optymalnej żywotności akumulatory należy ładować do pełna po każdym użyciu.

W przypadku przechowywania akumulatorów dłużej niż 30 dni:

- Akumulator należy przechowywać w temperaturze poniżej 27 °C i z dala od wilgoci.
- Akumulatory należy przechowywać w stanie naładowania 30–50%.
- Akumulator należy ładować co sześć miesięcy przechowywania.

Zabezpieczenie akumulatora

Akumulator posiada zabezpieczenie przed przeładowaniem, które chroni go przed przeładowaniem i zapewnia długą żywotność.

Przy ekstremalnym obciążeniu elektronika akumulatora wyłącza produkt automatycznie. Aby ponownie uruchomić produkt, należy go wyłączyć, a następnie ponownie włączyć. Jeśli produkt nie uruchomi się ponownie, może to oznaczać, że akumulator jest całkowicie rozładowany. Naładować akumulator.

Transportowanie akumulatorów litowych

Akumulator litowo-jonowy podlega przepisom dotyczącym produktów niebezpiecznych.

Transport tych akumulatorów musi odbywać się zgodnie z przepisami i regulacjami lokalnymi, krajowymi oraz międzynarodowymi.

- Akumulatory można przewozić drogami bez konieczności spełnienia dodatkowych wymogów.
- Komercyjny transport akumulatorów litowo-jonowych przez osoby trzecie podlega przepisom o towarach niebezpiecznych. Przygotowanie transportu oraz przewóz mogą być realizowane wyłącznie przez dobrze przeszkolony personel, a proces musi być nadzorowany przez odpowiednich ekspertów.

W trakcie transportowania akumulatorów:

- Należy upewnić się, że styki baterii są zabezpieczone i zabezpieczone, aby nie dopuścić do zwarcia.
- Upewnij się, że akumulator został zabezpieczony przed przemieszczeniem się w opakowaniu.
- Nie należy transportować pękniętych ani nieszczelnych akumulatorów.
- Szczegółowe porady można uzyskać w firmie spedycyjnej.

POZNAJ SWÓJ PRODUKT

Patrz strona 2-3.

1. Dźwignia sterowania węgłnego
2. Blokada wrzeczona
3. Zewnętrzna podkładka ostrza
4. Śruba tarczy
5. Wylot pyłu
6. Klucz
7. Klin rozszczepiający
8. Tarcza do pilarek
9. Zacisk prowadnicy
10. Uchwyt przedni, izolowana powierzchnia chwytna
11. Przycisk blokady
12. Rękojeść, izolowana powierzchnia chwytna
13. Przycisk uruchamiający
14. Akumulator
15. Przycisk głębokości cięcia
16. Suwak obejścia ujemnego 1°
17. Prowadnica
18. Pokrętko regulacji prowadnicy
19. Wskaźnik kąta skosu
20. Dźwignia obejścia skosu 45°
21. Pokrętko blokady kąta fazowania
22. Śruba ustawienia skosu 0°
23. Śruba ustawienia równoległego
24. Śruba ustawienia skosu 45°

KONSERWACJA


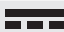






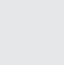
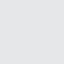
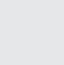
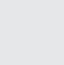
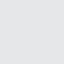
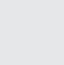
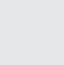
Unikać stosowania rozpuszczalników do czyszczenia części z tworzyw sztucznych. Większość tworzyw sztucznych jest podatna na działanie różnego rodzaju rozpuszczalników i może ulec uszkodzeniu w wyniku ich stosowania. Do usuwania brudu, pyłu węglowego itp. należy używać czystych ściereczek.

Stosować wyłącznie akcesoria i części zamienne AEG. W przypadku zaistnienia konieczności wymiany komponentów na nieopisane w niniejszej instrukcji należy skontaktować się z jednym z naszych agentów serwisowych AEG (prosimy o zapoznanie

się z naszą listą podmiotów realizujących naprawy gwarancyjne i serwisowe).

W razie potrzeby można zamówić rysunek produktu rozebranego. Należy podać typ produktu i numer seryjny nadrukowany na etykiecie oraz zamówić rysunek u lokalnego przedstawiciela handlowego lub bezpośrednio: Techtronic Industries GmbH, Max-Eyth-Straße 10, 71364 Winnenden, Germany.

SYMBOLE

	Przed uruchomieniem produktu należy dokładnie zapoznać się z instrukcjami.
	Prąd stały
	Stosować środki ochrony słuchu!
	Nosić odpowiednią maskę przeciwpyłową.
	Nosić ochronę oczu.
	Nosić rękawice ochronne.
	Nie zbliżać dłoni do obszaru cięcia i tarczy.
	Zużytego sprzętu elektrycznego i elektronicznego, w tym zużytych baterii i akumulatorów, nie należy wyrzucać jako nieposortowanych odpadów komunalnych.
	Zużyty sprzęt elektryczny i elektroniczny, w tym zużyte baterie i akumulatory, musi być gromadzony osobno.
	Zużyte baterie, akumulatory i źródła światła muszą zostać usunięte ze sprzętu.
	Skontaktować się z lokalnymi władzami lub sprzedawcą detalicznym w celu uzyskania porad dotyczących recyklingu i punktu zbiórki odpadów.
	Zgodnie z lokalnymi przepisami sprzedawcy detaliczni mogą być zobowiązani do nieodpłatnego odbioru zużytego sprzętu elektrycznego i elektronicznego, w tym baterii i akumulatorów.
	Państwa wkład w ponowne wykorzystanie i recykling zużytego sprzętu elektrycznego i elektronicznego, w tym baterii i akumulatorów, pomaga zmniejszyć zapotrzebowanie na surowce.
	Zużyte baterie i akumulatory — w szczególności zawierające lit — a także pozostały sprzęt elektryczny i elektroniczny, zawierają nadające się do recyklingu cenne materiały i surowce, które mogą mieć negatywny wpływ na środowisko naturalne i zdrowie ludzkie, jeśli nie są usuwane w sposób przyjazny dla środowiska naturalnego.
	Z utylizowanego sprzętu należy usunąć wszelkie ewentualne dane osobowe.

termékkel 0. és 45 fok közötti egyenes vagy ferde vágások végezhetőek.

A terméket kézi használatra tervezték. A terméket nem szabad munkaasztalra szerelni. A terméket ne használja fém vagy falazat vágására.

Ne használja a terméket a rendeltetésétől eltérő célra.

⚠ FIGYELMEZTETÉS! Olvassa el, illetve tekintse meg a termékhez biztosított minden biztonsági figyelmeztetést, illusztrációt és műszaki leírását. Az alább részletezett előírások be nem tartása olyan baleseteket okozhat, mint pl. tűz, áramütés és/vagy súlyos testi sérülések.

Őrizze meg az összes figyelmeztetést és utasítást későbbi felhasználás céljából.

DEKOPÍRFŰRÉSZ – BIZTONSÁGI FIGYELMEZTETÉSEK

Vágási eljárások

⚠ VESZÉLY: A kezét tartsa távol a vágási területtől és a fűrészlaptól. Az egyik kezével a szerszám fő markolatát, a másikkal pedig a segédfogantyút kell fogni, vagy pedig a motor védőburkolatra (motorház) kell helyezni. Ily módon a kezei soha nem kerülnek a vágási területre, sem pedig a fűrészárca meghosszabbított síkjába.

Ne nyúljon a munkadarab alá. ezen a helyen a fűrészártsavédő nem takarja a fűrészártsárcát.

A vágásmélységet a munkadarab vastagságának megfelelően állítsa be. A vágás során a fűrészárca fogai nem szabad, hogy teljesen a munkadarab alá menjenek.

Vágás közben soha ne tartsa a munkadarabot a kezében vagy a lábán. A vágásra kerülő darabot egy stabil tartóeszközzel kell rögzíteni. A munkadarab helyes rögzítése elsődleges fontossággal bír a sérülésveszélyek elkerülése érdekében, valamint hogy ne hajoljon meg a fűrészártsárcra, így a vágás során ne veszítse el uralmát a szerszámmal felett.

Ha a nagy teljesítményű gépet olyan műveletnél használja, ahol a vágóeszköz rejtett vészélekkel érintkezhet, akkor azt a szigetelt fogófelületnél tartsa meg. Az „élő” vezetékekkel való érintkezés következtében a szerszám fém alkatrészei áram alá kerülnek, minek következtében a kezelőt áramütés érheti.

Használjon mindig párhuzamvezetőt vagy egy egyenes lécezt, amikor párhuzamos vágást hajt végre. A vágást pontosabban lehet ily módon kivitelezni, valamint a fűrészártsárcsa eldeformálódásának veszélye is elkerülhető.

Kizárólag olyan tárcsákat használjon, melyek mérete és formája megfelel a tengely furatátmértőjének. A fűrész rögzítőfelszereléséhez nem illeszkedő pengék nem közepén futnak, ami az irányíthatóság elvesztését okozza.

Soha ne használjon sérült- ill. nem megfelelő fűrészártsárcsa csavart és alátétet. A tárcsa alátétek és csavarok speciálisan az adott típusú fűrészhez lettek kifejlesztve - a maximális biztonság és teljesítmény érdekében.

A visszarúgás okai és kapcsolódó figyelmeztetések:

- A visszarúgás a szerszám hirtelen reakciója a fűrész beakadására, beszorulására vagy hibás beállítására, amely miatt az irányítást veszített fűrész felülé, a munkadarabból kifelé és a kezelő irányába emelkedik;
- Amikor a bevágás beszűkülése miatt a penge beakad vagy beszorul, a penge megáll, és a motor reakciója az egységet gyorsan a kezelő felé löki;
- Ha a fűrészártsárcsa elgömbül, vagy rosszul van beállítva, a tárcsa hátulján elhelyezkedő fogak belefűrödhetnek a fa felületébe, és ez a fűrészártsárcát a munkadarabról hirtelen a szerszámot használó személy irányába vetheti.

A megugrás ily módon a szerszám nem megfelelő használatának és/vagy a helytelen vágási módoknak / körülményeknek az eredménye. Néhány óvintézkedés meghozatalával és figyelmes betartásával azonban elkerülhető ez a veszélyes jelenség.

Tartsa erősen, két kézzel a fűrész és oly módon helyezze át a kezeit, hogy egy esetleges megugrást kontrollálni tudjon. Munka közben mindig a fűrész egyik oldalára helyezkedjen, és soha ne legyen a fűrészártsárcsa meghosszabbított síkjában. Megugrás esetén a fűrész hirtelen hátravelődik, de ezt a reakciót kontrollálni lehet, amennyiben a használó a jelenség tudatában van, és felkészül rá.

HU AZ EREDETI ÚTMTATÓ FORDÍTÁSA

RENDELTESSZERŰ HASZNÁLAT

A dekopírfűrész fa vagy hasonló anyagok átvágására és keresztvágására szolgál legfeljebb 58,5 mm mélységig. A



Ha a fűrésztrácsa beszorul, vagy valamilyen okból kifolyólag meg kell szakítania a vágást, engedje el a kapcsolót, és tartsa a fűrész a munkadarabon addig, amíg a tárcsa forgása teljesen le nem áll. Ne próbálja eltávolítani a fűrész a munkadarabból vagy visszahúzni a fűrész, miközben a fűrészlap még mozgásban van, mert visszarrugás történhet. Ha a fűrésztrácsa beszorul, keresse meg az okát, és hozza meg a szükséges intézkedéseket ahhoz, hogy ez ne ismétlődhessen meg újra.

Amikor a fűrészt újraindítja egy munkadarabban, a fűrészlapot a bevágásban középre kell állítani, hogy a fűrészfogak ne akadjanak bele az anyagba. Ha a fűrészpenge elakad, felfelé mozdulhat vagy kiugorhat a munkadarabból a fűrész újraindításakor.

Ügyeljen arra, hogy a hosszú munkadarabokat támassza alá, ily módon elkerülhető, hogy a fűrésztrácsa beszoruljon, és ezáltal csökkenteni a megugrás veszélyét. A hosszú munkadarabok meghajolhatnak a súlyuk alatt. A munkadarabot ajánlatos két helyen alátámasztani, az egyik a vágásvonalhoz közel, a másik pedig a munkadarab végén legyen.

Ne használjon életlen ill. megrogáldott fűrésztrácsát. Az életlen, vagy rosszul felszerelt fűrésztrácsák használatakor a fűrésznyom túl keskeny és így a tárcsa nagyon sűrűdik, ezáltal nagyobb a torziós igénybevétel- és a megugrás veszélye.

Mielőtt a vágáshoz kezdene, ellenőrizze, hogy a vágásmélység- és szögbeállító gombok megfelelően rögzítve vannak-e. Ha a fűrésztrácsa pozícióját befolyásoló beállítások a vágás során módosulnak, a tárcsa beszorulhat és megnő a megugrás veszélye.

Különös figyelemmel járjon el, ha egy már meglévő falat fűrészrel vagy más nem látható területen végez munkát a géppel. A fűrésztrácsa ilyenkor szemmel nem látható, a felület által rejtett tárgyakkal / szerkezeti elemekkel érintkezhet, és ez megugrást idézhet elő.

Védőelem funkció

Használat előtt mindig ellenőrizze, hogy a védőelem megfelelően zár-e. Ne működtesse a fűrész, ha a védőburkolat nem tud szabadon mozogni és nem takarja el azonnal a pengét. Soha ne szorítsa meg vagy köttözze le úgy a védőelemet, hogy a penge fedetlenül van. Ha a fűrész véletlenül leesik, a védőburkolat elgörbülhet. Ellenőrizze minden vágási szögben és mélységben, hogy a védőburkolat szabadon mozog-e, és nem érintkezik-e a pengével vagy más alkatrészzel.

Ellenőrizze a védőelem visszanyomó rugójának működését és állapotát. Amennyiben a fűrésztrácsavédő vagy a rugó nem megfelelőképp működik, javíttassa meg, vagy cseréltesse ki az adott elemet, mielőtt a fűrész használatba venné. A védőburkolat sérült alkatrészek, ragadós lerakódások vagy törmelék felhalmozódása esetén akadózva működhet.

Ügyeljen arra, hogy a fűrész alaplemeze ne mozduljon el, amikor beszűrő vágást végez. A penge oldalirányú eltolódása elakadást és valószínűleg visszaütést okoz.

Mielőtt a fűrész letenné a munkapadra vagy a padlóra, mindig ügyeljen arra, hogy a védőburkolat eltakarja a pengét. Ha a fűrésztrácsa nincs megfelelőképp takarva, lendületből mozoghat, és elvághatja azt, ami az útjába kerül. Mindig legyen tudatában annak, hogy a fűrésztrácsa bizonyos ideig még forog a motor leállása után.

Hasítóképes funkció

A hasítóképeshez a megfelelő fűrészlapot használja. A hasítóképes működéséhez a penge törzsének keskenyebbnek kell lennie a hasítóképsnél, a penge vágási szélességének pedig nagyobbak kell lennie a hasítóképes vastagságánál.

Állítsa be a hasítókést a kézikönyvben leírtak szerint. A hibás térköz, elhelyezés és beállítás miatt a hasítóképes nem tudja megakadályozni a visszaütést.

A hasítóképesnek bele kell kapaszkodnia a munkadarabba, hogy működjön. A hasítóképes nem biztosítja a rövid vágások közbeni visszarrugás megelőzését.

Ne működtesse a fűrész, ha a hasítóképes meghajlott. Még kismértékű zavar is lelassíthatja a védőelem zárási sebességét.

KIEGÉSZÍTŐ BIZTONSÁGI ÉS MUNKAUTASÍTÁSOK

Soha ne használjon a géppel dörzstrácsát!

Győződjön meg róla, hogy a hasítóképes úgy van beállítva, hogy a hasítóképes és a penge széle közötti távolság nem több 5 mm-nél, és a penge széle 5 mm-nél többel nem nyúlik túl a hasítóképes legalacsonyabban elhelyezkedő szélén.

Csak a jelöléseknek megfelelő átmérőjű fűrészlap(ka)t használjon.

Állapítsa meg, hogy melyik a helyes fűrészlap a vágandó anyaghoz.

Csak az eszközön jelölt sebességgel egyenlő vagy annál magasabb értéket tartalmazó fűrészlapokat használjon.

Csak a gyártó által ajánlott, az EN 847-1 szabványnak megfelelő, fához és hasonló anyagokhoz való fűrészpengéket használjon.

Viseljen pormaszkot.

Szorítsa le a munkadarabot egy szorítóval. A nem rögzített munkadarabok súlyos sérüléseket és károkat okozhatnak.

A bepiszkolódott pengevédek korlátozhatják a termék megfelelő működését, ami súlyos személyi sérülést okozhat. Sűrített levegővel tisztítsa meg a pengevédeket, hogy ne halmozódjon fel a fűrészpor. Viseljen megfelelő szem- és légzésvédőt.

Ellenőrizze, hogy a fűrésztrácsa védőeleme megfelelően működik. Az alábbi lépéseket követve ellenőrizze a fűrésztrácsa védőelemének megfelelő működését.

- Győződjön meg arról, hogy az akkumulátor nincs a termékben.
- Nyomja meg a zárógombot.
- Markolja meg az elülső fogantyút, és nyomja lefelé, hogy lesüllyedjen és eltűnjön a fűrésztrácsa.
- Lassan hagyja az elülső fogantyút felemelkedni, amíg a fűrésztrácsa teljesen a védőelemen belül nincs.
- Ellenőrizze, hogy a védőelem teljesen körbeveszi a fűrésztrácsát.
- Amennyiben a fűrésztrácsavédő vagy a rugó nem megfelelőképp működik, javíttassa meg, vagy cseréltesse ki az adott elemet, mielőtt a fűrész használatba venné.

Leállás esetén azonnal kapcsolja ki a terméket. Ne kapcsolja vissza a terméket, miután elakadt. Ha bekapcsolja, nagy erővel rúghat vissza. Ellenőrizze, hogy miért akadt el a termék és hártas le az okot, figyelembe véve a biztonsági utasításokat.

A termékben végzett bármilyen munkálat előtt vegye ki az akkumulátort

AZ AKKUMULÁTOR KIEGÉSZÍTŐ BIZTONSÁGI FIGYELMEZTETÉSEI

⚠ FIGYELMEZTETÉSEI! Tűz, személyi sérülés és termékkárosodás rövidzárlat miatti kockázatának csökkentése érdekében soha ne merítse az eszközt, az akkucsomagot vagy a töltőt folyadékba, illetve ne engedje, hogy folyadék jusson ezekbe. A korrozív vagy vezetőképes folyadékok, például a tengervíz, bizonyos ipari vegyi anyagok és a fehérlőszerv vagy a fehérlőtörszertartalmú termékek stb. rövidzárlatot okozhatnak.

Ne dobja a háztartási hulladékok közé és ne égesse el az akkumulátorokat. Környezetünk védelme érdekében az AEG viszonteladói átveszik a régi akkumulátorokat.

A hosszabb ideig nem használt akkumulátorcsomagokat használat előtt újból fel kell tölteni.

Az optimális élettartam érdekében használat után az akkumulátorokat teljesen fel kell tölteni.

Amennyiben 30 napnál tovább tárolja az akkumulátorcsomagot:

- Az akkumulátort olyan helyen tárolja, ahol a hőmérséklet 27 °C alatt van, és azt nem érheti nedvesség.
- Az akkumulátorcsomagokat 30%-50%-os feltöltöttségi állapotban tárolja.
- Hat havonta töltsse fel az akkumulátorcsomagot a szokásos módon.

Az akkumulátorcsomag védelme

Az akkumulátorcsomag el van látva túlterhelés elleni védelemmel, amely megóvja a túlterheléstől és segít a hosszú élettartam biztosításában.

Extrém terhelés alatt az akkumulátor elektronikája automatikusan lekapcsolja a terméket. A termék újraindításához kapcsolja azt ki, majd újra be. Amennyiben a termék nem indul újra, lehetséges, hogy teljesen lemerült az akkumulátorcsomag. Töltsse fel az akkumulátorcsomagot.

Lítium akkumulátorok szállítása

A lítium-ion akkumulátor a veszélyes árukra vonatkozó szabályozás hatálya alá tartozik.

Az akkumulátorok szállítását a helyi, nemzeti és nemzetközi előírásokkal és szabályozásokkal összhangban kell végezni.

- Az akkumulátorokat további követelmények nélkül lehet közúton szállítani.
- A lítiumion akkumulátorok harmadik fél általi kereskedelmi szállítására a veszélyes árucikkek szabályai vonatkoznak. A szállítás előkészítését és a szállítást kizárólag megfelelően képzett személyek végezhetik, és a folyamatot szakértőknek folyamatosan ellenőrizniük kell.

Az akkumulátorok szállításakor:

- Ügyeljen arra, hogy a rövidzárlat elkerülése érdekében az akkumulátor érintkezői védve és szigetelve legyenek.
- A csomagolásból belül biztosítsa az akkucsomagot, hogy ne mozduljon el.
- Ne szállítson repedt vagy szivárgó akkumulátorokat.
- További információért vegye fel a kapcsolatot a továbbítást végző céggel.

ISMERJE A TERMÉKÉT

Lásd a 2-3. oldalt

1. Beszúró vezérlőkar
2. Tengelyrögzítő
3. Külső pengealátét
4. Fűrésztrácsacsavar
5. Porelszívó nyílás
6. Csavarkulcs
7. Hasítókécs
8. Fűrésztrácsa
9. Sínbilincs
10. Elülső kar, szigetelt fogófelület
11. Zárógomb
12. Fogantyú, szigetelt fogófelület
13. Kapcsolókioldó
14. Akkumulátor
15. Vágási mélység gomb
16. Negatív 1 fokos megkerülő csúszka
17. Sín
18. Nyomtávbeállító gomb
19. Ferdevágás jelzője
20. 45 fokos ferde megkerülőkar
21. Ferdevágási szabályzógomb
22. 0 fokos ferde állítócsavar
23. Párhuzamos állítócsavar
24. 45 fokos ferde állítócsavar

KARBANTARTÁS

Ne használjon oldószereket a műanyag alkatrészek tisztításakor. A legtöbb műanyag érzékeny különböző típusú kereskedelmi forgalomban kapható oldószerekre, és károsodhat a használatuktól. A kosz, szénpor stb. eltávolítására tiszta ruhát használjon.

Csak AEG tartozékokat és AEG pótalkatrészeket használjon. Ha olyan alkatrészeket kell kicserélni, amelyről nincs leírás, forduljon egy AEG szervizpartnerhez (lásd a garanciális helyek és szervizek listáját).

Szükség esetén megrendelheti a termék bontott nézetét. Adja meg a termék típusát és a címkére nyomtatott sorozatszámot, és rendelje meg a tervrajzot a helyi szerviznél vagy közvetlenül az alábbi elérhetőségen: Techtronic Industries GmbH, Max-Eyth-Straße 10, 71364 Winnenden, Germany.

SZIMBÓLUMOK



A termék elindítása előtt olvassa el figyelmesen a használati utasítást.



Egyenáram



Viseljen hallásvédőt.



Viseljen megfelelő porvédő maszkot.



Viseljen szemvédőt.



Viseljen védőkesztyűt!



Tartsa távol a kezét a vágási területtől és az éles fűrészlaptól.



Az akkumulátorok, valamint az elektromos és elektronikus berendezések hulladékait ne dobja a válogatatlan települési hulladékok közé.

Az akkumulátorok, valamint az elektromos és elektronikus berendezések hulladékait elkülönítve gyűjtse.

A hulladékká vált elemeket, akkumulátorokat és fényforrásokat vegye ki a berendezésből.

Lépjön kapcsolatba a helyi hatósággal vagy kereskedővel az újrahasznosításra vonatkozó útmutatásért és a gyűjtőállomásokkal kapcsolatos információkért.

A helyi szabályozások szerint a kereskedők kötelesek lehetnek ingyen visszavenni az akkumulátorok, illetve az elektromos és elektronikus berendezések hulladékait.

Az Ön hozzájárulása az akkumulátorok, illetve az elektromos és elektronikus berendezések hulladékaiknak újrafelhasználásához és újrafeldolgozásához segít csökkenteni a nyersanyagok iránti keresletet.

Különösen a lítiumot tartalmazó akkumulátorok, illetve az elektromos és elektronikus berendezések hulladékaik értékes, újrafeldolgozható anyagokat tartalmaznak, amelyek káros hatással lehetnek a környezetre és az emberi egészségre, ha nem környezetbarát módon kezelik őket.

A hulladékká vált berendezésből szükség esetén törölje a személyes adatokat.

SL PREVOD ORIGINALNIH NAVODIL

DOLOČENI POGOJI ZA UPORABO

Potopna žaga je namenjena za vzdolžno in prečno rezanje lesa ali podobnih materialov do globine največ 58,5 mm. Z izdelkom lahko opravite ravne ali poševne reze pod koti od 0 do 45 stopinjami.

Izdelek je zasnovan za ročno uporabo. Izdelek ni namenjen za pritrditev na delovni pult. Izdelka ne uporabljajte za žaganje kovine ali betona.

Izdelka ne uporabljajte na noben način, ki ni predpisan za to napravo.

⚠ OPOZORIL! Preberite vsa varnostna opozorila, risbe in tehnične podatke, priložene tem izdelkom. Če ne upoštevate opozoril in navodil, lahko pride do električnega udara, ognja in/ali hudih poškodb.

Vsa opozorila in navodila shranite za poznejšo uporabo.

VARNOSTNA OPOZORILA ZA POTOPNO ŽAGO

Metode rezanja

⚠ NEVARNOST: Roke vedno držite proč od območja žaganja in od rezila. Drugo roko držite na pomožnem ročaju ali na ohišju motorja. Če žago držite z obema rokama, ju rezilo ne more perezati.

Ne segajte pod obdelovanec. Pod obdelovancem vas ščitnik ne more zaščititi pred rezilom.



EN
DE
FR
IT
ES
PT
NL
DA
NO
SV
FI
EL
TR
CS
SK
PL
HU
SL
HR
LV
LT
ET
RU
BG
RO
MK
UK
AR



Rezalno dolžino prilagodite debelini obdelovanca. Pod obdelovanec se lahko vidi manj kot en cel zob rezila.

Med žaganjem obdelovanca nikoli ne držite z rokami ali preko noge. Obdelovanec pritrđite na stabilno podlago. Pomembno je, da dobro podprete obdelovanec in tako zmanjšate izpostavljenost telesa, zatikanje rezila ali izgubo nadzora.

Med izvajanjem del, pri katerih bi rezalno orodje lahko prišlo v stik s skrito električno napeljavo, električno orodje držite za izolirana držala. Stik orodja z deli, ki so pod napetostjo, lahko povzroči, da so tudi kovinski deli električnega orodja pod napetostjo in izpostavijo uporabnika električnemu udaru.

Pri robnem odrezu vedno uporabljajte vzporedno vodilo ali ravno robno vodilo. Na ta način bo rez bolj natančen in zmanjšalo se bo tveganje, da pride do zatikanja rezila.

Vedno uporabljajte rezila s pravilno velikostjo in obliko (trikotno ali okroglo) odprtine za vpenjanje. Rezila, ki se ne umajajo z montažnimi deli žage, se ne bodo pomikala centrirano, kar bo povzročilo izgubo nadzora.

Nikoli ne uporabljajte poškodovanih ali neustreznih podložk za rezilo ali sornika. Podložke za rezila in sornik so posebej zasnovani za vašo žago, za njeno optimalno storilnost in varno delovanje.

Vzroki povratnih udarcev in povezana opozorila:

- povratni udarec je nenadna reakcija na priščipnjeno, zataknjeno ali nepravilno rezilo žage, ki povzroči, da žaga nenadzorovano izskoči iz obdelovanca proti operaterju;
- če se rezilo priščipne ali močno zatakne v krajnico med pomikom navzdol, se rezilo ustavi in reakcija motorja enoto zelo hitro potegne nazaj proti operaterju;
- Če se rezilo zvije ali ni poravnano v rezu, lahko zobje zadnjega roba rezila zagrijejo v gornjo površino lesa in povzročijo, da rezilo zleze iz reza in odskoči nazaj proti delavcu.

Odsunek je posledica nepravilne uporabe žage in/ali nepravilnih postopkov ali pogojev delovanja ter ga lahko preprečimo z upoštevanjem ustreznih spodaj navedenih varnostnih predpisov.

Žago trdno držite z obema rokama in postavite roke tako, da se upirajo silam odsunka. Postavite se s strani rezila, vendar ne v liniji z rezilom. Odsunek lahko povzroči, da žaga odskoči nazaj, vendar lahko delavec nadzira sile odsunka, če upošteva ustrezne varnostne ukrepe.

Če se rezilo zatika ali če iz nekega razloga prekinete rezanje, sprostite stikalo in držite žago nepremično v obdelovancu, dokler se rezilo popolnoma ne zaustavi. Nikoli ne poskušajte odmakniti žage z obdelovanca ali povleči žago nazaj, ko se žagin list še vrti, saj lahko to privede do nevarnega povratnega udarca. Preglejte orodje in ustrezno ukrepajte, da odpravite vzrok zatikanja rezila.

Ob ponovnem zagonu žage v obdelovancu rezilo žage centrirajte v krajniku, tako da zobje žage niso vstavljeni v material. Če se rezilo žage zatakne, lahko ob ponovnem zagonu žage izskoči ali povratno udari iz obdelovanca.

Velike plošče podprite, da zmanjšate nevarnost zagodenja ali odsunka rezila. Velike plošče se rade upogibajo pod lastno težo. Na obeh straneh plošče podstavite opornike, blizu črte reza in blizu roba plošče.

Ne uporabljajte topih ali poškodovanih rezil. Nenabrušena in nepravilno vstavljena rezila delajo ozek rez, ki povzroči preveliko trenje, zatikanje in odsunek rezila.

Pred začetkom rezanja morajo biti vzvodi za nastavitev globine in nagiba rezila trdno in varno pritrjeni. Če se med rezanjem premakne nastavitve rezila, lahko pride do zatikanja in odsunka.

Pri žaganju v obstoječo steno ali druge nepregledne površine bodite posebej pazljivi. Strleče rezilo lahko prereže predmete, kar lahko povzroči odsunek.

Funkcija ščitnika

Pred vsako uporabo preverite, ali se ščitnik ustrezno zapira. Če se ohljuje ne premika nemoteno in v trenutku ne zapira žaginega lista, ne uporabljajte žage. Ščitnika nikoli ne spnite ali privežite tako, da bi bilo rezilo izpostavljeno. Če žaga nenačrtovano pade, se lahko ohljuje vžipe. Prepričajte se, da se ohljuje pod vsemi koti in na vseh globinah reza premika prosto in se ne dotika rezila ali katerega koli drugega dela.

Preverite delovanje in stanje povratne vzmeti ščitnika. Če ščitnik in vzmet ne delujeta pravilno, ju morate pred uporabo

servisirati. Ohljuje se lahko oteženo premika zaradi poškodb, oblog gume ali oblog delcev.

Osnovna plošča žage se med potopnim rezom ne sme premikati. Če se rezilo nagne vstran, se zatakne in verjetno povzroči povratni udarec.

Pred odlaganjem žage na delovno površino ali tla se morate prepričati, da ohljuje v celoti prekriva list. Nezaščiteno zaustavljajoče se rezilo lahko povzroči vzvratno hojo žage, ki razreže vse, kar je na njeni poti. Zavedati se morate, da je potreben določen čas, da se rezilo zaustavi po sprostitvi stikala.

Funkcija cepilnega noža

Uporabljajte primerno rezilo žage za cepilni nož. Za zagotovitev delovanja cepilnega noža mora biti telo rezila tanjše od cepilnega noža, rezalna širina rezila pa mora biti večja od debeline cepilnega noža.

Nastavite cepilni nož, kot je opisano v tem priločniku z navodili. Nepravilen odmik, položaj in poravnava lahko povzročijo neučinkovitost preprečevanja povratnega udarca cepilnega noža.

Za zagotovitev delovanja cepilnega noža mora biti ta vstavljen v obdelovanca. Razcepni nož je pri krajših rezih neučinkovit pri preprečevanju povratnih udarcev.

Če je razcepni nož zvit, žage ne uporabljajte. Celo najmanjše motnje lahko upočasnijo hitrost zapiranja ščitnika.

DODATNA NAVODILA ZA VARNOST IN DELO

Ne uporabljajte brusnih koles.

Poskrbite, da je cepilni nož nastavljen tako, da razdalja med cepilnim nožem in obodom rezila ne presega 5 mm, obod rezila pa ne sega več kot 5 mm prek najnižjega roba cepilnega noža.

Uporabljajte samo rezila premerov, ki so v skladu z oznakami.

Ugotovite ustrezno rezilo žage, ki ga je treba uporabiti za material, ki ga boste žagali.

Uporabljajte samo rezila žag, na katerih je navedena hitrost, ki je enaka ali višja od hitrosti, navedeni na orodju.

Za žaganje lesa in enakovrednih materialov uporabljajte izključno rezila žage, ki jih priporoča proizvajalec in so v skladu s standardom EN 847-1.

Nosite protiprašno masko.

Obdelovanec vpnite z vpenjalno napravo. Obdelovanci, ki niso vpeti, lahko povzročijo hude poškodbe in škodo.

Umazani ščitniki rezil lahko omejujejo ustrezno delovanje izdelka, kar privede do hudih telesnih poškodb. Ščitnike rezil očistite s stisnjenim zrakom, da odstranite nabrano žagovino. Nosite ustrezno zaščitno oči in dihal.

Preverite ščitnik rezila in se prepričajte, da pravilno deluje. Pravilnost delovanja ščitnika rezila preverite po naslednjih korakih.

- Poskrbite, da je baterija odstranjena iz izdelka.
- Pritisnite gumb zaklepanje-izklop.
- Primitte srednji ročaj in ga pritisnite navzdol, da spustite in izpostavite rezilo.
- Omogočite, da se srednji ročaj počasi dvigne, dokler ni rezilo povsem v ščitniku.
- Prepričajte se, da je rezilo povsem v ščitniku rezila.
- Če ščitnik in vzmet ne delujeta pravilno, ju morate pred uporabo servisirati.

Če izdelek zastane, ga takoj izklopite. Če izdelek zastane, ga ne vklopite znova. Nivoičen vklop lahko povzroči povratni udarec z visoko reakcijsko silo. Ugotovite vzrok za zastoj izdelka in ga odpravite, pri čemer upoštevajte varnostna navodila.

Pred izvajanjem del na pripomočku odstranite akumulatorski vložek.

DODATNA VARNOSTNA OPOZORILA ZA BATERIJO

⚠ OPOZORILO! Za zmanjšanje nevarnosti požara, telesne poškodbe in poškodbe izdelka zaradi kratkega stika nikoli ne potopite orodja, baterijskega vložka ali polnilca v tekočino ali dopustite, da bi tekočina vdrla vanje. Korozivne ali prevodne tekočine, kot so morska voda, določene industrijske kemikalije in belilo oziroma izdelki, ki vsebujejo belilo itd., lahko povzročijo kratek stik.

Uporabljenih baterij ne odlagajte med gospodinjinske odpadke oziroma jih ne sežigajte. Distributerji družbe AEG ponujajo prevzem starih baterij z namenom varovanja okolja.

Baterije, ki jih nekaj časa niste uporabljali, je treba pred uporabo napolniti.

Za zagotovitev optimalne življenjske dobe baterijskih vložkov jih je treba po uporabi povsem napolniti.

Shranjevanje baterijskega vložka za dlje kot 30 dni:

- Baterijski vložek shranite v prostoru, kjer je temperatura nižja od 27 °C in ni vlage.
- Baterijske vložke shranjujte napolnjene od 30 do 50 %.
- Vsakih šest mesecev shranjevanja morate kot običajno zamenjati baterijski sklop.

Zaščita baterijskega vložka

Baterijski vložek ima zaščito pred obremenitvijo, ki pripomore k preprečitvi preobremenitve vložka in zagotovitvi dolge življenjske dobe.

Elektronski deli baterije v primeru velike obremenitve samodejno izklopijo izdelek. Za ponovni zagon izdelek izklopite in znova vklopite. Če se izdelek ne zažene znova, se je baterijski vložek morda povsem izpraznil. Napolnite baterijski vložek.

Prevažanje litijevih akumulatorjev

Za litij-ionsko baterijo velja zakonodaja o nevarnem blagu.

Prevoz teh baterij je treba izvesti v skladu z lokalnimi, nacionalnimi in mednarodnimi določbami ter predpisi.

- Cestni prevoz baterij je dovoljen brez posebnih zahtev.
- Za komercialni prevoz litij-ionskih baterij s strani tretjih oseb se uporabljajo predpisi o nevarnem blagu. Priprave za transport in transport mora izvajati ustrezno usposobljeno osebje, proces pa morajo spremljati ustrezni strokovnjaki.

Pri prevozu baterij:

- Zagotovite, da bodo kontakti baterij zaščiteni in izolirani, da ne bo prišlo do kratkega stika.
- poskrbite, da embalaža prepreči premikanje baterij.
- Ne prevažajte poškodovanih akumulatorjev oz. akumulatorjev, ki puščajo.
- Za nadaljnje informacije se obrnite na posredništvo.

SPOZNAJTE SVOJ IZDELEK

Glejte stran 2-3.

1. Ročica za nadzor potopne funkcije
2. Zaklep vretena
3. Zunanja podložka za žagin list
4. Vijak rezila
5. Odprtina za žagovino
6. Ključ
7. Razcepni nož
8. Rezilo žage
9. Spona vodila
10. Sprednji ročaj, izolirano držalo
11. Gumb za zaklepanje
12. Ročaj, izolirano držalo
13. Gumb sprožilca
14. Akumulator
15. Gumb za nastavitev globine reza
16. Drsní gumb za nastavitev kota -1°
17. Vodilo
18. Gumb za prilagajanje na vodilno letev
19. Indikator kota
20. Vzvod za nastavitev kota reza nad 45°
21. Vrtljivi gumb za zaklenitev zajeralnega kota
22. Nastavitveni vijak za nastavitev kota reza na 0°
23. Vijak za vzporedno vodilo
24. Nastavitveni vijak za nastavitev kota reza na 45°

VZDRŽEVANJE

Plastični delov ne čistite s topli. Večina vrst plastike je občutljivi na razne vrste komercialnih topil, zato se lahko ob njihovi uporabi poškoduje. Umazanijo, karbonski prah in podobno odstranite s čisto krpo.

Uporabljajte samo dodatke AEG in rezervne dele AEG. Če je treba zamenjati dele, ki niso opisani, se obrnite na enega od servisov družbe AEG (glejte seznam naslovov za uveljavljanje garancije/ servisov).

Po potrebi lahko naročite eksplozijski pogled izdelka. Navedite vrsto izdelka in serijsko številko, natisnjeno na oznaki, ter naročite načrt pri lokalnem servisnem agentu ali neposredno na: Techtronic Industries GmbH, Max-Eyth-Straße 10, 71364 Winnenden, Germany.

SIMBOLI

	Pred zagonom izdelka pazljivo preberite navodila.
	Enosmerni tok
	Nosite ščitnike za ušesa.
	Nosite ustrezno protiprašno masko.
	Nosite zaščito oči.
	Nosite zaščitne rokavice.
	Z rokami ne segajte v območje žaganja in ostrega rezila.
	Odpadnih baterij in odpadne električne in elektronske opreme ne odlagajte med nesortirane gospodinjinske odpadke.
	Odpadne baterije in odpadno električno in elektronsko opremo je treba zbirati ločeno.
	Odpadne baterije, odpadne akumulatorje in svetlobne vire je treba odstraniti iz opreme.
	Glede recikliranja in zbirališča se posvetujte z lokalnim organom ali prodajalcem.
	Skladno z lokalnimi predpisi morajo trgovci na drobno odpadne baterije in odpadno električno in elektronsko opremo morda brezplačno prevzeti.
	Vaš prispevek k ponovni uporabi in recikliranju odpadnih baterij in odpadne električne in elektronske opreme pomaga zmanjšati zahteve po surovinah.
	Odpadne baterije, predvsem tiste, ki vsebujejo litij, in odpadna električna in elektronska oprema vsebujejo dragocene materiale, ki jih je mogoče reciklirati, in lahko v primeru, da se ne odložijo na način, skladen z okoljem, negativno vplivajo na okolje in zdravje ljudi.
	Če so v odpadni opremi shranjeni osebni podatki, jih izbršite.

HR PRIJEVOD ORIGINALNIH UPUTA

SPECIFICIRANI UVJETI KORIŠTENJA

Tračna pila namijenjena je uzdužnom i poprečnom rezanju drva ili sličnih materijala do maksimalne debljine od 58,5 mm. Proizvod može raditi rezove ravnih ili kosih rubova između 0 i 45 stupnjeva.

Proizvod je namijenjen za ručnu uporabu. Proizvod se ne smije montirati na radni stol. Proizvod ne koristite za rezanje metala ili zidanih materijala.

Nemojte koristiti proizvod na bilo koji drugi način od onog za koji je namijenjen.

⚠ UPOZORENJE! Pročitajte i pregledajte sve sigurnosne upute, slike i specifikacije isporučene uz ovaj proizvod.

- EN
- DE
- FR
- IT
- ES
- PT
- NL
- DA
- NO
- SV
- FI
- EL
- TR
- CS
- SK
- PL
- HU
- SL
- HR
- LV
- LT
- ET
- RU
- BG
- RO
- MK
- UK
- AR

Nepoštivanje svih uputa može dovesti do električnog udara, požara i ili teške ozljede.

Sva upozorenja i upute sačuvajte za buduću upotrebu.

SIGURNOSNA UPOZORENJA PRI UPOTREBI TRAČNE PILE

Postupci rezanja

⚠ OPASNOST: Držite ruke dalje od područja rezanja i oštrice. Ruka kojom ne držite glavnu ručku alata mora držati pomoćnu ručku ili se nalaziti na karteru motora. Tako ruke ne izlažete opasnosti da se nađu u zoni rezanja, odnosno na putu oštrice.

Ne posežite ispod izratka. Podesite dubinu rezanja ovisno o debljini komada koji obrađujete.

Zupci oštrice ne smiju tijekom rezanja savsim prelaziti komad koji obrađujete. NIKAD komad koji obrađujete ne pridržavajte rukom ili između nogu.

Tijekom rezanja, obradak nikada ne držite u rukama ili položen preko nogu. Osigurajte i stegnite radni komad na stabilnu podlogu. Alat držite samo za izolirane i protuklizne dijelove kad radite na površini koja bi mogla sakriti električne žice ili kad se zbog posla kabel za napajanje može naći na putanju alata.

Električni alat držite za izolirane površine za hvatanje, kada režete tako da alat za rezanje može dotaknuti skriveno ožičenje. Dodirivanje "žive" žice može izložiti metalne dijelove alata električnoj energiji i dovesti do strujnog udara na operatera.

Tako ćete poboljšati preciznost rezanja i izbjeći ćete savijanje oštrice. Uvijek upotrebljavajte oštrice koje su svojom veličinom i oblikom prilagođene drvetu.

Oštrice koje nisu prilagođene osovini na koju se postavljaju neće se ispravno okretati te može doći do gubitka kontrole nad alatom. Oštrice koje se ne poklapaju s montažnom strojnom opremom pile pomaknut će se izvan centra i prouzročiti gubitak nadzora.

Podložne pločice i vijci osmišljeni su posebno za vaš model pile kako bi se postigli optimalna sigurnost i učinak. Dodatna sigurnosna pravila za sve vrste pile

Upozorenja na povratni udar i druge vezane opasnosti:

- povratni udar je iznenadna reakcija na priklješten, zaglavljen ili neporavnani list pile, što uzrokuje nekontrolirano dizanje pile prema gore i izvan obratka prema rukovatelju;
- kada je oštrica priklještena ili čvrsto zaglavljena zbog propiljka koji se zatvara prema dolje, list pile se zaustavlja, a reakcija motora pokreće jedinicu brzo natrag prema rukovatelju;
- Poskakivanje je dakle rezultat loše uporabe alata i/ili nepravilnih postupaka ili uvjeta piljenja.

Može ga se izbjeći ako se poštuju neke mjere opreza.

Čvrsto držite pilu dvjema rukama i postavite ih tako da mogu kontrolirati eventualno poskakivanje. Dok radite, stojte s jedne strane pile, nikako u ravnini s oštricom. Poskakivanjem pila odjednom poleti prema natrag, no taj je pokret moguće kontrolirati ako korisnik to očekuje i pripremljen je.

Ako se oštrica uklješti ili ako morate iz bilo kojeg razloga prekinuti s piljenjem, otpustite otpnac i držite pilu u komadu koji obrađujete sve dok se oštrica savsim ne prestane okretati. Nikada ne pokušavajte ukloniti pilu iz izratka ili povlačiti pilu unatrag dok se oštrica miče ili može doći do povratnog udara. Ako se oštrica uklješti, potražite razlog tomu i poduzmite potrebne mjere kako se to ne bi ponovno desilo.

Prilikom ponovnog pokretanja pile u obratku, centrirajte oštricu pile u propiljku tako da zupci pile ne budu zaglavljani u materijalu. Ako se list pile savije, on se može kretati prema gore ili se odbiti od obratka čim se pila ponovno pokrene.

Pridržavajte duge komade koje obrađujete kako biste izbjegli da se oštrica uklješti i sveli tako opasnost od poskakivanja na najmanju moguću mjeru. Dugi komadi koje obrađujete znaju se saviti pod vlastitom težinom. S dvije strane komada koji obrađujete možete postaviti nosače i to u blizini linije rezanja i na krajevima komada.

Ne upotrebljavajte tupe ili oštećene oštrice. Nenaoštrene oštrice ili oštrice koje su loše postavljene proizvest će tanki trag pile i izazvati pretjerano trenje oštrice te tako i veću opasnost od savijanja ili poskakivanja.

Prije nego što započnete s rezanjem, provjerite jesu li gumbi za podešavanje dubine i nagiba pravilno blokirani. Ako dolazi do promjene podešavanja položaja oštrice tijekom rezanja, postoji opasnost da se oštrica uklješti i može doći do poskakivanja.

Budite izrazito oprezni kada pilite u postojećim zidovima ili u područjima u kojima ne vidite rez. Oštrica bi mogla udariti u skrivene elemente, što bi moglo prouzročiti poskakivanje.

Funkcija štitnika

Prije svake uporabe provjerite da li se štitnik pravilno zatvara. Pilon nemojte upravlјati ako se štitnik slobodno ne pomiče i odmah ne prekrija oštricu. Štitnik nikada nemojte stezati ili vezati tako da je list pile izložen. Ako pilu slučajno upustite, štitnik se može savinuti. Provjerite može li se štitnik slobodno pomicati te ne dodiruje li oštricu ili druge dijelove pod svim kutovima i dubinama reza.

Provjerite rad i stanje povratne opruge štitnika. Ako štitnik oštrice ili opruga ne rade ispravno, dajte ih popraviti prije ponovne uporabe pile. Štitnik može biti usporen zbog oštećenih dijelova, ljepljivih naslaga ili nakupina krhotina.

Provjerite neće li se osnovna ploča pile pomicati tijekom uranјajućeg reza. Bočni pomaci lista pile prouzročit će savijanje, a vjerojatno i povratni udar.

Uvijek pripazite prekriva li štitnik oštricu prije nego što pilu spustite na klupu ili pod. Ako oštrica nije ispravno prekrivena, po inerciji se može okrenuti i rezati što god joj se nađe na putu. Imajte na umu da se oštrica nastavi vrtjeti neko vrijeme nakon zaustavljanja motora.

Funkcija razdvojnog klina

Upotrijebite odgovarajući list pile za razdvojni klin. Kako bi razdvojni klin mogao funkcionirati, listovi oštrice mora biti tanje od razdvojnog klina, a rezna širina oštrice mora biti šira od debljine razdvojnog klina.

Razdvojni klin prilagodite prema opisu u ovom priručniku s uputama. Nepravilan razmak, pozicioniranje i poravnavanje razdvojni klin mogu učiniti neučinkovitim u sprječavanju povratnog udara.

Kako bi razdvojni klin radio, on mora ući u obradak. Zarezni nož nije učinkovit u sprječavanju povratnog pomaka tijekom kratkih rezova.

Pilu nemojte upotreblјavati ako je zarezni nož savinut. Čak i neznatna smetnja može usporiti brzinu zatvaranja štitnika.

DODATNE INFORMACIJE O SIGURNOSTI I RADU

Nikad ne upotreblјavajte brusni disk.

Uvjerite se da je razdvojni klin tako namješten da razmak između razdvojnog klina i ruba oštrice nije veći 5 mm i da rub oštrice ne prelazi više od 5 mm preko najniže ruba razdvojnog klina.

Koristite samo promjer(e) listova pile u skladu s oznakama.

Pronadite odgovarajući list pile za materijal koji ćete rezati.

Koristite samo listove pile na kojima se nalazi oznaka brzine koja je jednaka brzini označenoj na alatu ili veća od nje.

Koristite samo list pile koji preporučuje proizvođač, koji je usklađen s normom EN 847-1, ako je namijenjen za drvo i analogne materijale.

Nosite masku protiv prašine.

Spojite uradak s uređajem za spajanje. Odspojeni izratci mogu uzorkovati ozbiljne ozljede i oštećenje.

Prilјvi štitnici oštrice mogu ograničiti ispravan rad proizvoda, što može dovesti do teških tjelesnih ozljeda. Štitnike oštrice čistite komprimiranim zrakom kako biste bili sigurni da ne dolazi do nakupljanja prašine od piljenja. Nosite odgovarajuću zaštitu za oči i dišne puteve.

Provjerite i uvjerite se da štitnik lista funkcionira ispravno. Slijedite korake u nastavku kako biste provjerili ispravno funkcioniranje štitnika lista.

- Uvjerite se da je akumulator izvađen iz proizvoda.
- Pritisnite gumb za blokiranje.
- Čvrsto uhvatite prednju ručku i pilu pritisnite prema dolje kako biste spustili i izložili list.
- Polako dozvolite da se prednja ručka podigne sve dok list do kraja ne uđe u štitnik.
- Uvjerite se da štitnik lista u potpunosti okružuje list.

- Ako štitnik oštrice ili opruga ne rade ispravno, dajte ih popraviti prije ponovne uporabe pile.

Ako proizvod zastaje u radu, odmah ga isključite. Nemojte ponovno uključivati proizvod nakon što zataji. Njegovo ponovno uključivanje moglo bi prouzročiti povratni udar s velikom reaktivnom silom.

Odredite zašto je proizvod zatajio i ispravite to, obračunajući pažnju na sigurnosne upute.

Baterijski sklop uklonite prije početka bilo kakvog rada na proizvodu.

DODATNA SIGURNOSNA UPOZORENJA ZA BATERIJU

UPOZORENJE! Kako biste smanjili rizik od požara, tjelesnih ozljeda i oštećenja proizvoda zbog kratkog spoja, nikada nemojte umakati svoj alat, baterijski sklop ili punjač u tekućinu ili dozvoliti da tekućina proдре u njih. Korozivni ili vodljivi fluidi, poput morske vode, određenih industrijskih kemikalija i izbjeljivača ili proizvoda koji sadrže izbjeljivač, itd., mogu uzrokovati nastanak kratkog spoja.

Ne odlažite iskorištenu bateriju u kućni otpad ili ih spaljivati. Kako bi doprinijeli zaštiti okoliša, distributeri tvrtke AEG nude mogućnost povrata starih baterija.

Baterije uređaja koje nisu korištene neko vrijeme treba ponovno napuniti prije korištenja.

Za optimalni životni vijek, bateriju nakon korištenja morate potpuno napuniti.

Za pohranu baterije dulje od 30 dana:

- Baterije skladištite na temperaturi ispod 27 °C i zaštićene od vlage.
- Baterije skladištite u stanju napunjenosti od 30%-50%.
- Nakon svakih šest mjeseci skladištenja na normalan način napunite bateriju.

Zaštita baterijskog sklopa

Baterijski sklop posjeduje zaštitu od preopterećenja koja ga štiti od preopterećenja i osigurava mu dugotrajnost.

U uvjetima krajnjeg naprezanja, elektronika baterije automatski isključuje proizvod. Za ponovno pokretanje, isključite pa ponovno uključite proizvod. Ako se proizvod ponovno ne pokrene, baterijski sklop je možda potpuno ispražnjen. Napunite bateriju.

Transportiranje litijumskih baterija

Litij ionska baterija je predmet zakona o opasnim tvarima.

Prijevoz tih baterija mora se izvršiti u skladu s lokalnim, nacionalnim i međunarodnim odredbama i propisima.

- Baterije se mogu prevoziti cestovnim putem bez dodatnih zahtjeva.
- Komercijalni transport litij-ionskih baterija od strane trećih strana podložno je relevantnim Propisima o opasnim tvarima (Dangerous Goods Regulations, DGR). Priprema transporta i transport isključivo provode odgovarajuće obučene osobe i pristupak treba uskladiti s odgovarajućim stručnjacima.

Prilikom transporta baterija:

- Osigurajte da su kontaktni terminali baterije zaštićeni i izolirani za sprječavanje kratkog spoja.
- Osigurajte da je baterija u ambalaži učvršćena tako da se spriječi njeno pomicanje.
- Nemojte transportirati baterije koje su polomljene ili cure.
- Provjerite kod kompanije koja transportira za daljnju pomoć.

UPOZNAJTE SVOJ PROIZVOD

Vidi stranice 2-3.

1. Ručica za upravljanje uranjanjem
2. Blokada vretena
3. Vanjski podložak oštrice
4. Vijak lista
5. Otvor za prašinu
6. Ključ
7. Razdvojni klin
8. List pile
9. Stega vodilica
10. Prednja drška, izolirana površina za hvatanje
11. Gumb za blokiranje
12. Drška, izolirana površina za hvatanje
13. Prekidač okidača
14. Baterijski sklop

15. Tipka za dubinu reza
16. Klizač za premoštenje do negativnog 1°
17. Vodilica
18. Ručica za prilagođavanje vodilice
19. Pokazivač nagiba
20. Ručica za premoštenje nagiba od 45°
21. Okretni gumb za fiksiranje nagiba
22. Vijak za podešavanje nagiba na 0°
23. Vijak za paralelno postavljanje
24. Vijak za podešavanje nagiba na 45°

ODRŽAVANJE

Izbjegavajte korištenje otapala za čišćenje plastičnih dijelova. Većina plastičnih materijala osjetljiva je na razne vrste komercijalnih otapala i mogu se oštetiti prilikom njihove upotrebe. Čistim krpama uklonite prljavštinu, ugljenu prašinu, itd.

Koristite isključivo nastavke, dodatke i rezervne dijelove tvrtke AEG. Ako je komponente koje nisu opisane potrebno zamijeniti, obratite se našem AEG servisnom agentu (pogledajte naš popis jamstvenih/servisnih adresa).

Crtež prikaza rastavljenog sklopa proizvoda moguće je naručiti prema potrebi. Navedite vrstu proizvoda i serijski broj otisnut na oznaci i naručite crtež od svojih lokalnih servisnih predstavnika ili izravno na: Techtronic Industries GmbH, Max-Eyth-Straße 10, 71364 Winnenden, Germany.

SIMBOLI



Prije pokretanja proizvoda pažljivo pročitajte upute.



Istosmjerna struja



Nosite štitnike za uši.



Nosite prikladnu masku za zaštitu od prašine.



Nosite zaštitu za oči.



Nosite zaštitne rukavice.



Ruke držite podalje od površine za rezanje i oštrog lista pile.



Otpadne akumulator, otpadnu električnu i elektroničku opremu nemojte odlagati kao nesortirani komunalni otpad.

Otpadni akumulatori i otpadna električna i elektronička oprema moraju se prikupljati odvojeno.

Otpadne baterije, svojih lokalni akumulatori i izvori svjetla moraju se ukloniti iz opreme.

Od lokalnih nadležnih tijela ili trgovca zatražite savjete koji se odnose na recikliranje i mjesto za skupljanje otpada.

U skladu s lokalnim propisima, trgovci u maloprodaji imaju obvezu besplatnog preuzimanja otpadnih baterija i otpadne električne i elektroničke opreme.

Vaš doprinos ponovnoj upotrebi i recikliranju otpadnih baterija i otpadne električne i elektroničke opreme pomaže u smanjenju potrebe za sirovinama.

- EN
- DE
- FR
- IT
- ES
- PT
- NL
- NO
- SV
- FI
- EL
- TR
- CS
- SK
- PL
- HU
- SL
- HR
- LV
- LT
- ET
- RU
- BG
- RO
- MK
- UK
- AR
-

Otpadne baterije, osobito one koje sadrže litij i električna i elektronička oprema sadrži vrijedne materijale koje je moguće reciklirati, koji mogu negativno utjecati na okoliš i ljudsko zdravlje, ako se ne uklanja na način ekološki sukladan s okolišem.

Izбришите osobne podatke iz otpadne opreme, ako ih ima.

bet ne vienā līnijā ar ripu. Atsitiens var likt zāģim atlekt atpakaļ, bet operators var kontrolēt tā spēkus, ja tiek veikti pareizi drošības pasākumi.

Kad ripa kerās var zāģēšana tiek pārtraukta kādu citu iemeslu dēļ, atlaidiet slēdža mēlīti un turiet zāģi nekustīgi materiālā, līdz ripa pilnībā apstājas. Nekad nemēģiniet izcelt zāģi no sagataves vai vilkt zāģi atpakaļ, kamēr asmens pārvietojas, jo tas var izraisīt atsitieni. Izpētiet, kādi iemesli izraisa ripas ķeršanos, un novērsiet tos.

Atsākot zāģēšanu ar asmeni zāģējamā materiālā, novietojiet zāģa asmeni rievā pa vidu tā, lai zāģa zobi nesaskartos ar zāģējamu materiālu. Ja zāģa asmens iekeras, tas var lekt augšup vai veikt apstrādājamā materiāla atsitieni, kad zāģis tiek atkal iedarbināts.

Atbalstiet lielas plāksnes, lai mazinātu risku, ka ripa iekersies griezumā un atsitīsies atpakaļ. Lielas plāksnes parasti liecas no sava svara. Balstus jānovieto zem plāksnes abās pusēs zāģējuma līnijās un plāksnes malas tuvumā.

Nelietojiet ripas ar neasinātiem zobiem vai bojātas ripas. Neasinātas vai nepareizi iestattas ripas rada sauru zāģējuma eju, kas rada pārāk lielu berzi, ripas ķeršanos un atsitieni.

Ripas dziļuma un leņķa regulēšanas fiksatoriem jābūt droši pievilktiem, pirms sākt zāģēšanu. Ja zāģēšanas procesā ripas iregulējums novirzās, tā var šaktiesies un atsitīsies atpakaļ.

Rīkojieties īpaši piesardzīgi, zāģējot esošajās sienās vai citās neredzamās vietās. Izvirsijusies ripa var atdurties pret objektiem, kas var izraisīt atsitieni.

Aizsarga funkcija

Pirms katras lietošanas pārbaudiet vai aizsargs kārtīgi aizveras. Neizmantojiet zāģi, ja aizsargs brīvi nekustas un nekavējoties nenosedz asmeni. Nekad neiespiediet vai nenostipriniet aizsargu tā, ka asmens paliek atsegs. Ja zāģis tika nejausi nomests, aizsargs var būt saliekts. Pārbaudiet, vai aizsargs brīvi kustas un nepieskaras asmenim vai jebkurai citai daļai visos zāģēšanas leņķos un dziļumos.

Pārbaudiet aizsarga atlēkšanas atsperes darbību un stāvokli. Ja aizsargs un atspere nedarbojas pareizi, tiem pirms lietošanas jāveic apkope. Bojātu daļu, noguļšņu vai netīrumu nosēdumu dēļ aizsarga kustība var būt traucēta.

Pārlicinieties, vai zāģa atbalsta plāksne nekustas, zāģējot ar "asmens iegremdēšanu". Asmens nogalīšanās sāņus izraisīs iekļīlēšanos un, iespējams, atsitieni.

Pirms zāģa novietošanas uz darbgalda vai grīdas vienmēr pārlicinieties, vai aizsargs ir nosedzis asmeni. Nenosegta, kustīga ripa tiks zāģim virzīties atpakaļ, iezāģējot visā, kas gadišies tā ceļā. Nemiet vērā laiku, kas nepieciešams, lai ripa pēc slēdža mēlītes atlaišanas apstātos.

Plēšanas ķīļa funkcija

Izmantojiet plēšanas ķīlim atbilstošu zāģa ripu. Lai plēšanas ķīlis darbotos, asmens pamatnē jābūt plānākam par plēšanas ķīli, savukārt zāģa ceļa platūmam jābūt lielākam par plēšanas ķīli.

Noregulējiet plēšanas ķīli kā aprakstīts šajā rokasgrāmatā. Nepareiza atstarpe, stāvoklis un savietojums var padarīt plēšanas ķīli neefektīvu atsitiena novēršanā.

Lai plēšanas ķīlis strādātu, tam jāsaskaras ar zāģējamo materiālu. Iša zāģēšanas laikā aizsargķīlis nenovērs atsitienus.

Neizmantojiet zāģi, ja aizsargķīlis ir saliekts. Pat nelieli traucējumi var palēnināt aizsarga aizvēršanos.

PAPILDU DROŠĪBAS UN DARBA NORĀDES

Neizmantojiet abrazīvās ripas.

Nodrošiniet, ka plēšanas ķīlis ir noregulēts tā, lai attālums starp ķīli un asmens ārējo malu nav lielāks par 5 mm un asmens mala neatrastos vairāk kā 5 mm zem ķīļa apakšējās malas.

Izmantojiet tikai asmeņu diametru(s) saskaņā ar marķējumu.

Atrodiet zāģējamam materiālam piemērotu zāģa asmeni.

Izmantojiet tikai zāģa asmeņus, kas marķēti ar ātrumu, kas vienāds vai lielāks par ātrumu, kas norādīts uz instrumenta.

Izmantojiet tikai ražotāja ieteiktos zāģa asmeņus, kas atbilst standartam EN 847-1, ja paredzēts strādāt ar koku vai līdzīgiem materiāliem.

LV ORIGINĀLO INSTRUKCIJU TULKUJUMS

ĪPAŠI LIETOŠANAS APSTĀKĻI

Iegremdējama zāģis ir paredzēts koka vai līdzīgu materiālu garenzāģēšanai un šķērszāģēšanai līdz pat 58,5 mm dziļumā. Ar izstrādājumu var zāģēt taisni vai 0–45 grādu slīpumā.

Produkts ir paredzēts lietošanai, turot rokas. Produkts nav paredzēts uzstādīšanai uz darba galda. Neizmantojiet produktu metāla vai ķieģeļu zāģēšanai.

Neizmantojiet ierīci citiem mērķiem, bet tikai tam paredzētajiem.

△ BRĪDINĀJUMS! Izlasiet visus drošības brīdinājumus, norādes, ilustrācijas un specifiskācijas, kas sniegtas kopā ar šo izstrādājumu. Visu uzskaitīto instrukciju neievērošana ir bīstama; tā var izraisīt elektrisko triecienu, aizdegšanos un/vai nopietnas traumas.

Saglabājiet visus brīdinājumus un norādījumus turpmākai lietošanai.

BRĪDINĀJUMI PAR IEGREMĒJAMĀ ZĀĢA DROŠU LIETOŠANU

Zāģēšanas darbības

△ BĪSTAMI: Sargājiet rokas no griešanas asmenis. Turiet savu otru roku uz papildu roktura vai motora korpusa. Ja abas rokas tur zāģi, tad tajās nevar iezāģēt ar ripu.

Nesniedzieties zem sagataves. Aizsargs nevar pasargāt jūs no ripas zem sagataves.

Noregulējiet griešanas dziļumu līdzvērtīgi sagataves uzturam. Zem sagataves jābūt redzamam mazākam par pilnu zobu.

Griešanas laikā nekad neturiet apstrādājamo materiālu rokās vai neatbalstiet pret kāju. Piestipriniet sagatavi pie stabilas pamatnes. Ir svarīgi pareizi atbalstīt sagatavi, lai mazinātu ķermeņa atsegu, ripas ķeršanos vai kontroles zaudēšanu.

Turiet elektroinstrumenti tikai aiz izolētajām satveršanas virsmām, gadijums, kad veicamā darba laikā griezējinstrumentus var nonākt saskarsmē ar apslēptu vadu instalāciju. Saskarsme ar "dzīvu" vadu padarīs ierīces neapklātās metāla daļas "dzīvas" un var radīt elektrošoku lietotājam.

Zāģējot šķērseniski, izmantojiet vadlīnēšu vai vadotni ar taisnu malu. Tas uzlabo griezuma precizitāti un mazina ripas ķeršanās risku.

Obligāti izmantojiet pareiza izmēra formas (rombeveida vai trīsstūrveida zobu) zobus. Asmens, kas neatbilst uzstādīšanas vietai, zaudēs centrējumu, izraisot kontroles zaudēšanu.

Nedrīkst izmantot bojātas vai nepareizas aplāksnes vai skrūves. Asmens aplāksnes un skrūve ir īpaši veidota jūsu zāģim, lai nodrošinātu optimālu veiktspēju un darbības drošību.

Atsitiena cēloņi un ar to saistītie brīdinājumi:

- atsitieni ir pēkšņa reakcija uz iespiestu, iekļētu vai nepareizi savietotu zāģa asmeni, izraisot nekontrolētu zāģa radītu apstrādājama materiāla mešanu uz augšu un lietotāja virzienā;
- kad asmens tiek iespiests vai cieši iekļēts, asmens apstājas un motora reaktīvais spēks strauji virza produktu lietotāja virzienā;
- ja ripa tiek saliekta vai izregulējas griezumā, ripas zobi var iecirsties materiāla augšējā virsmā, liekot ripai izlekt no griezuma pret operatoru;

Atsitieni rodas no zāģa nepareizas lietošanas un/vai nepareizas darba procedūras vai apstākļiem; no tā var izvairīties, veicot pareizus drošības pasākumus.

Turiet zāģi stingri un novietojiet rokas tā, lai tās noturētu pret potenciālo atsitieni. Novietojiet ķermeni abās ripas pusēs,

Valkājiet putekļu masku.

Nostipriniet apstrādājamo objektu ar nostiprinājuma skavu. Nēsājpilētas sagataves var izraisīt nopietnas traumas un bojājumus.

Netīri asmens aizsargi var ierobežot produkta pareizu darbību, radot smagus ievainojumus. Tīriet asmens aizsargus ar saspiestu gaisu, lai nodrošinātu, ka tajos neuzkrājas zāģēšanas putekļi. Nēsājiet atbilstošu acu un elpceļu aizsargus.

Pārbaudiet un pārliecinieties, ka asmens aizsargs darbojas pareizi. Veiciet tālāk norādītās darbības, lai pārbaudītu asmens aizsarga pareizu darbību.

- Nodrošiniet, ka akumulatoru bloks ir izņemts no produkta.
- Nospiediet bloķēšanas pogu.
- Satveriet priekšējo rokturi un veiciet spiedienu leju, lai laistu instrumentu leju un atsegtu asmeni.
- Lēnām ļaujiet priekšējam rokturim pacelties, līdz asmens pilnīgi atrodas aizsarga iekšpusē.
- Pārliecinieties, ka asmens aizsargs pilnībā aptver asmeni.
- Ja aizsargs un atspere nedarbojas pareizi, tiem pirms lietošanas jāveic apkope.

Ja produkts apstājas, nekavējoties to izslēdziet. Neizslēdziet produktu atkārtoti, kad tas ir apstājies. Tā atkārtota ieslēgšana var izraisīt atsitieni ar augstu reakcijas spēku. Nosakiet, kāpēc produkts ir apstājies, un novērsiet traucējumus, pievēršot uzmanību drošības instrukcijām.

Noņemiet akumulatora bloku pirms veikt jebkādas darbus ar pūtēju.

PAPILDU AKUMULATORU BLOKA DROŠĪBAS BRĪDINĀJUMI

▲ BRĪDINĀJUMS! Lai samazinātu aizdegšanās, ievainojumu un produkta bojājumu risku, kas radies īssavienojuma rezultātā, nekad neiemērciet instrumentu, akumulatoru bloku vai lādētāju šķidrumā vai nepieļaujiet šķidruma ieplūšanu tajos. Korozīvi vai strāvu vadōši šķidrumi, piemēram, jūras ūdens, noteiktas rūpnieciskās ķīmikālijas, balinātāji vai balinātājus saturoši produkti utml. var izraisīt īssavienojumu.

Neizmetiet izlietotos akumulatoru sadzīves atkritumos un nedeziniet tos. AEG izplatītāji piedāvā nolietoto akumulatoru savākšanu, lai aizsargātu mūsu vidi.

Akumulatoru blokus, kuri kādu laiku nav bijuši lietošanā, pirms lietošanas nepieciešams uzlādēt.

Optimālam darba mūžam akumulatoru bloku pēc lietošanas pilnībā jāuzlādē.

Akumulatoru bloku glabāšanai ilgāk par 30 dienām:

- Glabājiet akumulatoru bloku sausā vietā, kur temperatūra ir zemāka par 27 °C.
- Glabājiet akumulatorus stāvoklī, kad to lādiņš ir 30%-50% no pilna.
- Ik pēc sešiem glabāšanas mēnešiem uzlādējiet akumulatoru kā ierast.

Akumulatoru bloka aizsardzība

Akumulatoru blokam ir pārslodzes aizsardzība, kas aizsargā to un palīdz nodrošināt ilgu darbību.

Galēju slodžu gadījumā akumulatora elektronika automātiski izslēdz produktu. Lai atiestatītu produktu, izslēdziet un tad ieslēdziet produktu. Ja produkts nesāk darboties, akumulatora bloks var būt pilnīgi izlādējies. Uzlādējiet akumulatoru bloku.

Litija bateriju transportēšana

Litija jonu baterija ir pakļauta bīstamo preču likumdošanai.

Šo akumulatoru pārvadāšana ir jāveic saskaņā ar vietējo, valsts un starptautisko likumdošanu un normatīvajiem aktiem.

- Akumulatorus drīkst pārvadāt ar autotransportu bez turpmākiem ierobežojumiem.
- Uz Litija jonu akumulatoru trešo pušu veiktiem komercpārvadājumiem tiek attiecināti Bīstamo kravu pārvadājumu noteikumi. Transporta sagatavošanu un transportēšanu veic attiecīgi apmācītas personas un procesu jāpārbauga ekspertiem.

Pārvadājot akumulatorus:

- Nodrošiniet, ka baterijas saskares termināļi ir aizsargāti un izolēti, lai novērstu īssavienojumus.
- Nodrošiniet, ka akumulatora bloks iepakojumā ir nekustīgi nostiprināts.

- Netransportējiet ieleisājušas baterijas vai baterijas, kurām ir noplūde.
- Lūdziet padomu kravu pārvadāšanas uzņēmumam.

ZINIET SAVU PRODUKTU

Skatīt 2-3. lappusi.

1. Iegremdēšanas vadības svira
2. Ass bloķēšana
3. Ārējā asmens paplāksne
4. Asmens skrūve
5. Putekļu atvere
6. Atslēga
7. Plešanas ķīlis
8. Zāģa asmens
9. Zāģēšanas slīdes skava
10. Priekšējais rokturis, izolēta satveršanas virsma
11. Fiksācijas poga
12. Rokturis, izolēta satveršanas virsma
13. Slēdža mēlīte
14. Akumulatora bloks
15. Zāģēšanas pogas dzīļums
16. Negatīvas 1° apvades slīdnis
17. Zāģēšanas slīde
18. Kēdes regulēšanas poga
19. Noliekuma indikators
20. 45° slīpuma apvades slīdnis
21. Noliekuma fiksācijas poga
22. 0° slīpuma regulēšanas skrūve
23. Paralēlā regulēšanas skrūve
24. 45° slīpuma regulēšanas skrūve

APKOPE

Neizmantojiet šķīdinātājus plastmasas detaļu tīrīšanai. Vairums plastikātu pakļaujas dažādu tirdzniecībā pieejamu šķīdinātāju iedarbībai un šādu šķīdinātāju lietošanas tos var bojāt. Izmantojiet tīru audumu, lai notīrītu netīrumus, oglekļa putekļus utt.

Izmantojiet tikai AEG papildaprīkojumu un AEG rezerves daļas. Ja nepieciešams nomainīt daļas, kuras nav aprakstītas, sazinieties ar vienu no mūsu AEG servisu pārstāvjiem (skatīt sarakstu ar mūsu garantijas/servisu adresēm).

Ja nepieciešams, iespējams pasūtīt produkta sprādzienvēda skatu. Norādiet produkta veidu un sērijas numuru, kas uzdrukāts uz etiķetes, un pasūtiet attēlu pie Jūsu vietējiem servisa pārstāvjiem vai tieši no: Techtronic Industries GmbH, Max-Eyth-Straße 10, 71364 Winnenden, Germany.

APZĪMĒJUMI

	Lūdzu rūpīgi izlasiet instrukcijas, pirms sākt lietot produktu.
	Līdzstrāva
	Lietojiet dzirdes aizsargus.
	Valkājiet piemērotu putekļu aizsargmasku.
	Valkājiet acu aizsarglīdzekļus.
	Valkājiet aizsargcimdus.
	Turiet rokas atstatu no griešanas zonas un asmens.





Neizmetiet akumulatoru atkritumus kā nešķirotus sadzīves atkritumus.

Akumulatoru atkritumi, elektrisko un elektronisko iekārtu atkritumi jāsavāc atsevišķi.

Bateriju, akumulatoru un gaismas avotu atkritumi ir jāizņem no iekārtām.

Sazinieties ar vietējo pašvaldību vai mazumtirgotāju, lai saņemtu ieteikumus pārstrādei un savākšanas punktos.

Saskaņā ar vietējiem noteikumiem mazumtirgotājiem var būt pienākums bez maksas pieņemt atpakaļ akumulatoru, elektrisko un elektronisko iekārtu atkritumus.

Jūs ieguldījums akumulatoru, elektrisko un elektronisko iekārtu atkritumu atsevišķai izmantošanā un atsevišķai pārstrādei palīdz samazināt iezeljušu pieprasījumu.

Akumulatoru atkritumi, it īpaši tie, kas satur litiju, un elektrisko un elektronisko iekārtu atkritumi satur vērtīgus, pārstrādājamus materiālus, kas var nelabvēlīgi ietekmēt vidi un cilvēku veselību, ja tos neapglabā videi draudzīgā veidā.

Izdzēsiet no atkritumos nododamajām iekārtām personīgos datus, ja tādi tur ir.

Niekada nenaudokite pažeistų ar neteisingu geležičių poveržčių ar varžčių. Geležičių poveržčės ir varžčiai yra specialiai pagaminti jūsu pjūkliai, siekiant geriausių pjovimo rezultatų ir saugumo pjaunant.

Atatrankos priezastys ir susiję ispjėjimai:

- atatranka – tai staigi reakcija į suspaudimą, užstrigimą ar pjovimo disko išsiderinimą, kuri sukelia nekontroliuojamą pjūklo pakilimą ir atšokimą nuo ruošinio link operatoriaus;
- kai diskas suspaudžiamas arba smarkiai užstringa ruošinyje, diskas užsikerta ir sustoja, o variklio reakcijos jėga staiga atmeta įrankį link arba šalin nuo operatoriaus.;
- Jei geležtė išsikreipia ar tampa nelūgi pjaunant, galinio krašto geležtės dantukai gali įpjauti viršutinių medienos sluoksnių, tokiu būdu priversdami geležtę išslysti iš prapjovos ir staiga pasislinkti atgal link operatoriaus.

Atgalinis smūgis yra netinkamo pjūklo naudojimo ir (ar) klaidingo darbo proceso ar sąlygų rezultatas. Jo galima išvengti laikantis atitinkamų žemiau išdėstytų apsaugos priemonių.

Pjūklą tvirtai laikykite abiem delnais, o rankas laikykite taip, kad jos išlaikytų atgalinio smūgio jėgą. Stovėkite vienoje ar kitoje geležtės pusėje, bet ne vienoje linijoje su geležte. Dėl atgalinio smūgio pjūklas gali atšokti atgal, tačiau atgalinio smūgio jėgą operatorius gali suvaldyti, jei jis imasi tinkamų apsaugos priemonių.

KJei geležtė kartais ar dėl kitos priežasties trukdo normaliam pjovimui, atleiskite jungiklį ir pjūklą ruošinyje laikykite jo nejudindami tol, kol geležtė visiškai sustos. Diskui sukantis niekada nebandykite pjūklo iš ruošinio ištraukti ar jo traukti atgal, nes galite sukelti atatranką. Nustatykite geležtės kirtimosi priežastis ir imkitės tinkamų veiksmų joms pašalinti.

Vēl paleisdami pjūklā ruošinyje, sucentruokite pjovimo diskā jįpovjove, kad pjūklā dantukai neliešut medžiagos. Vēl jingungus pjūklā, užsikirtęs pjovimo diskas gali pakilti arba atšokti.

Didelēs plokštēs paremkite, kad išvengtumēte geležčių suspaudimo ir atgalinio smūgio pavojāus. Dēl savo svorio didelēs plokštēs paprastai jilinksta. Atramas būtina padēti iš abiejų plokštēs pusju po plokštēmīs, šalia pjovimo linijos bei plokštēs kraštju.

Nenaudokite atīpsiju ir pažeistju geležčiju. Negalēstas ar netinkamai nustatjtas geležčēs pjauna siaurā prapjovā, tajp sukeldamos per didelēs trinties geležčēs sukibimā ir atgalinj smūgij.

Priēs pradadet pjauti, geležčēs gyljo ir jstrjro nustatjtos uzrakinimo svirtys turi būti tvirtos ir saugios. Jei pjovimo metu geležčēs nustatymai pasikeičia, geležtē gali užsikirsti ir sukelti atgalinj smūgij.

Atlikdami pjovimā esančiose sienose ar kitose nematomose vietose, būkite ypač atsargūs. Atsikūsi geležtē gali jįpjauti objektus, kurie gali sukelti atgalinj smūgij.

Apsauginio gaubto veikimas

Priēs kiekvienā naudojimā patikrinkite, ar apsauginis gaubtas tinkamai uzsidaro. Nedirbkite pjūklju, jei apsauga negali laisvai judēti ir nedelsiant uzdengtj geležčēs. Niekada nesuspaukškite ir nepritvirtinkite apsauginio gaubto, palikdami diskā neapsaugotā. Pjūklā netycia numetus, apsauga galimā jlenkti. Patikrinkite ir jsitikinkite, kad apsauga juda laisvai ir visais kampais bei jvairju pjovimo gylju neliečia geležčēs ar kitos dalies.

Patikrinkite apsauginio skydro gražinimo spyruoklēs veikimā ir būklē. Jei gaubtas ir spyruoklē tinkamai neveikia, priēs naudojimā būtina atlikti jū tehninj prieziūrā. Dēl pažeistju daliu, gumos nuosēdju arba susidarijusiu šuklšiju apsauga gali veikti lētai.

Jsitikinkite, kad atliekant jgilinamajj pjuvj pjūklā pagrindo plokštē nepakryps. Į šonus slankiojantis diskas gali užstrigti ruošinyje ir sukelti atatrankā.

Visada stebēkite, ar apsauga dengia pjūklā – tik tada dēkite jē at darbastalio ar grindju. Dēl neapsaugotos, laisvai besisukančios geležčēs pjūklas gali slinkti atbula kryptimi bei pjauti visus jo kelyje esančius daiktus. Atminkite, kad atleidus jungiklį, geležtē reikia laiko visiškai nustoti sukstis.

Skēlimo peilio veikimas

Naudokite skēlimo peiliui tinkamā pjovimo diskā. Norint, kad skēlimo peilis tinkamai veiktų, disko korpusas turi būti plonesnis nei skēlimo peilis, bet disko pjovimo plotis privalo būti didesnis nei skēlimo peilio storis.

LT ORIGINALIŲ INSTRUKCIJŲ VERTIMAS

YPATINGOS NAUDOJIMO SĄLYGOS

Ilgilinamasis pjūklas skirtas medienos ir panašių medžiagų išilginiams ir skersiniams pjūviams iki 58,5 mm atlikti. Gaminis galima atlikti tiesius arba nuožulnius pjūvius tarp 0 ir 45 laipsnių.

Produktas sukurtas naudoti laikant rankose. Įrankio negalima montuoti ant darbastalio. Nenaudokite įrenginio metalui ar mūriui pjauti.

Gaminį galima naudoti tik pagal paskirtį.

⚠️ [SPĖJIMAS] Perskaitykite visus su šiuo gaminiu pateiktus saugos įspėjimus, nurodymus, pavojaus ženklus ir specifikacijas. Apacioje išdėstytų instrukcijų nesilaikymas gali sukelti elektros smūgį, gaisrą ir (ar) sunkius sužeidimus.

Išsaugokite visas saugos taisykles ir naudojimo instrukciją, kad galėtumėte pasinaudoti ateityje.

[GILINAMOJO PJŪKLO SAUGOS ĮSPĖJIMAI

Pjovimo procedūros

⚠️ PAVOJUS: Rankas laikykite toliau nuo pjovimo zonos ir geležtės. Turiet savą otrą roku už papildu rukturā vā motora korpusa. Ja abas rokas tur žāgi, tad tajās nevar iezāgēt ar ripu.

Rankų nekiškite po ruošiniu. Apsauginis gaubtas jūsų rankų po ruošiniu apsaugoti negali.

Pjovimo gylį nustatykite pagal ruošinio storį. Po ruošiniu turi būti matomas dalis geležtės dantuko.

Pjaudami ruošinį, niekada nelaikykite jo rankose ar atrėmę į savo koją. Ruošinį pritvirtinkite prie stabilaus darbo paviršiaus. Ruošinį svarbu gerai atrėmti, siekiant sumažinti pavojų jūsų kūniui, geležčių sukibimą ir pjūklo nesuvaldymą.

Dirbdami darbus, kurių metu pjovimo įrankis galėtų prisiliesti prie paslėptų laidų, laikykite elektrinį įrankį tik už izoliuotų paviršių. Susilietus su laidais, kuriais teka srovė, neizoliuotos elektrinio įrankio metalinės dalys taip pat gali tapti laidininkais ir įrankiu dirbantį asmuo gali patirti elektros smūgį.

Pjaunant išilgį, būtina visada naudoti išilginio pjovimo kreiptuvą ar tiesų kraštju kreiptuvā. Tokiu būdu užtikrinamas pjovimo tikslumas ir sumažinamas geležtės užsikirtimas.

Visada naudokite veleno angų geležtės tinkamo dydžio ir formos (rombo formos, o ne apvalųjį). Diskai, kurie neatitinka pjūklo tvirtinimo įrangos, nukryps nuo centro, todėl pjūklas taps nevaldomas.

Sureguliuokite skėlimo peilį taip, kaip aprašyta šioje įrankio naudojimo instrukcijoje. Palikus netinkamą tarpą, netinkamai nustatūs ir sutapdinus skėlimo peilį, jis nėra veiksminga apsauga nuo atitranskos.

Norint, kad skėlimo peilis tinkamai veiktų, jis turi liesti ruošinį. Prapjovos platinimo peilis nėra veiksmingas apsaugant nuo atitranskos trumpų pjūvių metu.

Jeį prapjovos platinimo peilis sulenktas, pjūklų nedirbkite. Net menkiausia klūtis gali sulėtinti apsauginio gaubto uždarymą.

PAPILDOMOS SAUGOS IR DARBO TAISYKLĖS

Su pjūklų nenaudokite jokių abrazyvinių žiedų.

Išitikinkite, kad skėlimo peilis būtų nustatytas taip, kad tarp jo ir disko krašto būtų ne didesnis nei 5 mm tarpelis, o disko kraštas nebūtų nutolęs nuo žemiausio skėlimo peilio krašto toliau nei per 5 mm.

Naudokite tik tokio skersmens (tokių skersmenų) diskus, kokie yra nurodyti parametruose.

Nustatykite, koks pjovimo diskas yra tinkamas konkrečiai medžiagai pjauti.

Naudokite tik tokius pjovimo diskus, ant kurių nurodytas maksimalus sukimosi greitis prilygsta arba viršija ant įrankio nurodytą sukimosi greitį.

Naudokite tik gamintojo rekomenduojamus pjovimo diskus, kurie atitinka standartą EN 847-1, skirtus medienai ir panašioms medžiagoms pjauti.

Devėkite kaukę nuo dulkių.

Suspauškite ruošinį spauštuvu. Neprispausti ruošiniai gali pajudėti ir sukelti sunkių traumų ar apgadinti vietą, prie kurios yra tvirtinami.

Nešvarūs apsauginiai disko gaubtai gali trukdyti įrenginiui tinkamai veikti ir gali sukelti sunkių sužalojimų. Išvalykite apsauginius disko gaubtus suslėgtuoju oru, kad juose neprisikaupytų pjūvenų. Naudokite tinkamas akių ir kvėpavimo takų apsaugos priemones.

Patikrinkite ir išitikinkite, kad disko apsauginis skydas veikia tinkamai. Atlikite toliau nurodytus veiksmus, kad patikrintumėte, ar tinkamai veikia disko apsauginis skydas.

- Būtinai išimkite akumuliatorių iš įrankio.
- Paspauškite atlaisvinimo mygtuką.
- Paimkite už priekinės rankenos ir spauskite žemyn, kad diskas būtų nuleistas ir atidengtas.
- Po truputį atleiskite priekinę rankeną, kad ji lėtai kiltų, kol visas diskas atsiders apsauginio skydo viduje.
- Išitikinkite, kad disko apsauginis skydas visiškai uždengia diską.
- Jei gaubtas ir spyruoklė tinkamai neveikia, prieš naudojimą būtina atlikti jų techninę priežiūrą.

Jeį įrankis užstrigtų, nedelsiant jį išjunkite. Nejunkite įrenginio, jei jis užstrigo. Vėl jį įjungus, gali atsirasti atitranska su didele reakcijos jėga. Išsiaiškinkite įrankio užstrigimo priežastį ir pašalinkite ją, nepamiršdami laikytis saugos taisyklių.

Prieš pradėdami bet kokius darbus gaminyje išimkite akumuliatorių bloką.

PAPILDOMI AKUMULIATORIAUS SAUGOS ĮSPĖJIMAI

⚠️ ĮSPĖJIMAI! Stiekiant sumažinti gaisro, susižeidimų ir įrangos pažeidimų pavojus, galinčius kilti dėl trumpojo elektros jungimo, pasirūpinkite, kad akumuliatorius arba įkroviklis niekada nebūtų panaudintas į jokių skystų, o taip pat, kad skystis nepatektų į jų vidų. Elektrai laidūs ir (arba) koroziją galintys sukelti skysčiai, tokie kaip, jūsų vanduo, tam tikri pramoniniai chemikalai, balininio priemonė arba produktai, kuriuose yra balininio priemonės, gali sukelti trumpąjį elektros jungimą.

Nemeskite panaudotų baterijų bloką kartu su buitiniėmis atliekomis ir nedeginkite jų. AEG platiniojai siūlo sugrąžinti senus akumuliatorius perdirbimui, kad būtų saugoma gamta.

Ilgai nenaudotus akumuliatorius prieš naudojimą privaloma įkrauti. Norint, kad akumuliatorius tarnautų optimaliai ilgai, po kiekvieno panaudojimo jį būtina visiškai įkrauti.

Jeį akumuliatorius bus sandėliuojamas ilgiau nei 30 dienų:

- Laikykite akumuliatorių sausoje vietoje, kurioje temperatūra yra žemesnė nei 27 °C.
- Akumuliatorius sandėliuokite įkrautus 30–50 %.
- Kas šešis laikymo mėnesius akumuliatorių bloką įkraukite taip, kaip įprastai.

Akumuliatoriaus apsauga

Akumuliatorius turi apsaugą nuo perkrovos, kuri apsaugo jį nuo perkrovimo ir padeda pailginti jo eksploataavimo laiką.

Esant ekstremalioms sąlygoms, akumuliatoriaus elektronika automatiškai išjungia įrenginį. Norėdami vėl paleisti įrenginį, jį išjunkite ir vėl įjunkite. Jei įrenginys nepasileidžia, galbūt visiškai išsikrovė akumuliatorius. Įkraukite akumuliatorių.

Ličio baterijų transportavimas

Ličio-jonų akumuliatoriui taikomi įstatymai dėl pavojingų prekių.

Šie akumuliatoriai transportuojami laikantis atitinkamų vietos, nacionalinių ir tarptautinių taisyklių bei reglamentų.

- Akumuliatorių gabenimui kelias netaikomi jokie papildomi reikalavimai.
- Trečiųjų šalių vykdomam komerciniam ličio jonų akumuliatorių transportavimui taikomos taisyklės dėl pavojingų prekių vežimo. Parengti gabenimui ir gabenti išimtinai gali tik atitinkamai apmokyti asmenys, o visą procesą turi prižiūrėti atitinkami specialistai.

Veždami akumuliatorius:

- Baterijų kontaktiniai gnybtai turi būti apsaugoti ir izoliuoti, kad nevyktų trumpasis jungimas.
- Užtikrinkite, kad akumuliatorius būtų tvirtai ir saugiai supakuotas.
- Įskilusių ir tekančių akumuliatorių negabenkite.
- Dėl tolesnių patarimų kreipkitės į transporto įmonę.

PAŽINKITE SAVO ĮRENGINĮ

Žr. 2-3 psl.

1. Įgilinimo valdymo svirtis
2. Veleno fiksatorius
3. Išorinė peilio poveržlė
4. Disko fiksavimo varžtas
5. Dulkių išleidimo prievadas
6. Veržliaraktis
7. Skėlimo peilis
8. Pjovimo diskas
9. Bėgelių spauštukas
10. Priekinė rankena, izoliuotu paviršiumi
11. Fiksavimo mygtukas
12. Rankena, izoliuotu paviršiumi
13. Gaidukas
14. Akumuliatorius
15. Pjovimo gylis mygtukas
16. Neįgiamas 1° apėjimo slankiklis
17. Bėgeliai
18. Bėgelii reguliavimo rankenėlė
19. Nuožulnumo indikatorius
20. 45° nuožulnumo apėjimo svirtis
21. Nuožulnumo pjūvio fiksavimo rankenėlė
22. 0° nuožulnumo nustatymo varžtas
23. Lygiagretus nustatymo varžtas
24. 45° nuožulnumo nustatymo varžtas

PRIEŽIŪRA

Valydamis plastikines dalis nenaudokite tirpiklių. Daugelis plastikų yra jautrūs parduotuvėse pardavinėjamiems tirpikliams, kurie juos gali pažeisti. Švaria šluoste nuvalykite nešvarumus, anglies dulkes ir kt.

Naudokite tik AEG priedus ir AEG atsargines dalis. Jei reikėtų pakeisti naudojimo instrukcijoje neaprašytus komponentus, kreipkitės į mūsų AEG techninės priežiūros atstovą (žr. mūsų garantinio aptarnavimo / techninės priežiūros skyrių adresu sąrašą).

Jei reikia, galite užsisakyti įrenginio dalių brėžinį. Nurodykite įrenginio tipą ir serijos numerį, išspausdintą etiketėje, ir užsisakykite brėžinį iš artimiausio techninės priežiūros skyriaus arba tiesiogiai: Techntron Industries GmbH, Max-Eyth-Straße 10, 71364 Winnenden, Germany.

ŽENKLAI



Prieš naudodamiesi įrankiu, atidžiai perskaitykite šią naudojimo instrukciją.



Nuolatinėrovė



EN
DE
FR
IT
ES
PT
NL
DA
NO
SV
FI
EL
TR
CS
SK
PL
HU
SL
HR
LV
LT
ET
RU
BG
RO
MK
UK
AR
📖

	Naudokite ausų apsaugos priemones.
	Dėvėkite tinkamą apsaugos nuo dulkių kaukę.
	Dėvėkite akių apsaugos priemones.
	Mūvėkite apsauginis pirštines.
	Laikykite rankas atokiai nuo pjovimo zonos ir aštraus disko.
	Neišmeskite senų akumuliatorių, elektros ir elektroninės įrangos atliekų kartu su nerūšiuotomis komunalinėmis atliekomis. Seni akumuliatoriai, elektros ir elektroninės įrangos atliekas privaloma surinkti atskirai. Senos baterijos, akumuliatoriai ir šviesos šaltinių atliekos turi būti pašalinti iš įrangos. Kur rasti surinkimo ir perdavimo punktą ir kaip tinkamai utilizuoti seną įrenginį, kreipkitės į vietos valdžios įstaigą ar pardavėją. Atsižvelgiant į vietos teisės aktus, mažmenininkai gali būti įpareigoti nemokamai priimti atgal senus akumuliatorius, elektros ir elektroninės įrangos atliekas. Prisidėdami prie pakartotinio senų akumuliatorių, elektros ir elektroninės įrangos atliekų panaudojimo ir perdavimo padedate mažinti žaliavų poreikį. Senuose akumuliatoriuose, ypač tuose, kuriuose yra ličio, elektros ir elektroninės įrangos atliekose yra vertingų, perdirimui tinkamų medžiagų, kurias gali turėti neįjiamą poveikį aplinkai ir žmonių sveikatai, jei nėra šalinamos aplinkai nekenksmingu būdu. Ištrinkite senuose prietaisuose esančius asmens duomenis, jei tokių buvo.

Reguliereige löikesügvavus välja vastavalt tooriku pakusele. Tooriku alt peaks saeketas välja paistma vähem kui ühe hamba kõrguse võrra.

Lõikamise ajal ei tohi toorikut hoida kätega ega toetada üle jala. Kinnitage toorik kindlale alusele. Kinnitamine on väga oluline selleks, et vältida kehaga kokkupuutumise või haakumise ohtu ja kontrolli kaotamist see üle.

Hoidke elektritööriista üksnes käepidemete isoleeritud pinnast, kui sooritate toimingut, mille käigus võib löikeriist tabada varjatud elektrijuhtet. Pinge all olevate juhtmetega kokku puutumisel jäävad tööriista isoleerimata metallosad pingele alla ja kasutaja võib saada elektrilöögi.

Pikisaagimisel kasutage alati juhtjoonlauda või servajuhtikut. Sellega paraneb löiketäpsus ja väheneb võimalus saeketta kinnijäämiseks.

Kasutage ainult õiget mõõtu ja õige (saeketta mitte teemantkett) völliavaga saeketast. Ärge kasutage saele mittesobivaid saekettaid, mida ei saa korralikult kinnitada – saeketas võib löikejoones paigalt nihkuda ja põhjustada kontrolli kadumist tööriista üle.

Ärge kasutage vigastatud või mittesobivaid saeketta äärikuid või polti. Ainult komplektis olevad saeketta äärikud ja polt on sellele saele sobivad ning need tagavad optimaalse tootluse ja tööohutuse.

Tagasilöök ja sellega seotud hoiatused.

- tagasilöök on kinnikiiluvast või valesti paigaldatud saekettast põhjustatud äkiline reaktsioon, mille tagajärjel tuleb saag löikejoonest kontrollimatult välja ja liigub kasutaja suunas;
- kui saeketas on sulgvas löikejoones kinni kiilunud, siis saeketas blokeerub ja mootori jõud paiskab sae tagasi kasutaja poole;
- kui saeketas saetees vändub või sellest hällib, siis võib saeketta hamba tagaserv siseneda puudu ülapiinna sisse ja põhjustada saeketta saeteest ülestõusmise ning paiskuda kasutaja suunas.

Tagasilöök on sae väära kasutamise, ebaõigete töövõtete või tööks mittevastavate töötingimuste tulemus ja seda saab vältida alpool esitatud ettevaatusabinõude rakendamisega.

Hoidke sae mõlemast käepidemest tugevasti kinni ja seadke käsivarred tagasilöögiõududele vastuvõtmiseks sobivasse asendisse. Seiske saeketta kõrval, mitte saeketta suunas.

Tagasilöök võib põhjustada sae tagasipaiskumise, aga kasutaja saab õigeid ettevaatusabinõusid rakendades tagasilöögiõudusid siiski hallata.

Kui saeketas jääb kinni või löikamine mingil muul põhjusel katkeb, vabastage lülitid ja hoidke saagi liikumatuna tooriku sees seni kui saeketas täielikult seiskub. Ärge püüdke võtta löikeketast toorikust välja või tõmmata saagi tagasi saeketta liikumise ajal, muidu võib ilmned tagasilöök. Uurige saeketta kinnijäämise põhjus välja ja võtke meetmeid selle kõrvaldamiseks.

Et saagi saetavas materjalis taaskäivitada, pange saeketas sälgu keskele, nii et saehambad ei puutuks lõigatava materjaliga kokku. Kui saeketas on kinni kiilunud, võib see tõdedalvast detailist välja tulla või põhjustada sae taaskäivitamisel tagasilöögi.

Toetage suuri plaate, et minimeerida ketta kinnijäämise ning tagasilöögi riski. Suurtel plaatidel on kalduvus oma raskuse all läbi vajuda. Toed tuleb paigutada paneeli alla, mõlemale küljele löikejoone lähedale ja paneeli äärte alla.

Ärge kasutage nürri või vigastatud saeketast. Teritamata või valesti paigaldatud saekettad löikavad kitsa saeteet, mis põhjustab ülemäärast hõõrdumist, saeketta kinnijäämist ja tagasilööki.

Saeketta sügavuse ja kalde reguleerimishoovad tuleb enne löikamise alustamist tugevasti ning kindlalt kinni keerata. Kui saeketta seadistamise seadised saagimise ajal liiguvad, siis võib saeketas kinni jääda või anda tagasilöögi.

Olge olemasoleva seina sisse või teistesse varjatud kohtadesse löikamisel eriti ettevaatlik. Saeketta väljaulatav osa võib löikuda tundmatu objekti sisse ja põhjustada tagasilöögi.

Kettakaitse funktsioon

Iga kord enne kasutamist kontrollige, kas kettakaitse korralikult sulgub. Ärge kasutage saagi, kui kaitsekate ei liigu vabalt ja sulgeb kohe tera. Ärge kunagi fikseerige ega siduge kaitset avatud asendisse. Kui saag kogemata maha kukub, võib kaitsekate painduda. Veenudumiseks kontrollige, kas kaitsekate

ET ORIGINAALJUHENDI TÖLGE

OTSTARBEKOHANE KASUTAMINE

Roomiksaag on mõeldud puudu või sarnaste materjalide ribalõigeteks ja ristlõigeteks maksimaalse sügavusega kuni 58,5 mm. Tootega saab teha 0–45 kraadiseid sirg- või kaldlõikeid.

Kasutamise ajal hoitakse toodet käes. Toodet ei tohi kasutada tööpingile kinnitatuna. Ärge kasutage toodet metalli ega müürkiivide löikamiseks.

Ärge kasutage seadet ühelgi muul viisil kui mainitud sihtotstarbeks.

⚠️ HOIATUS! Lugege läbi kõik tootega kaasasolevad ohutusjuhised, illustratsioonid ja spetsifikatsioonid. Alpool esitatud hoiatuste ja juhiste eiramise puhul on oht saada elektrilöögi või raskeid kehavigastusi ning/või tekitada tulekahju.

Hoidke kõik hoiatused ja juhised edaspidiseks alles.

ROOMIKSAE TURVAHOIATUSED

Saagimine

⚠️ OHT!: Hoidke käed saagimispiirkonnast ja saekettast eemal. Hoidke oma teist kätt lisakäepidemel või mootori korpusel. Kui saag hoida kahe käega, siis ei saa oma käsi ohtu seada.

Ärge sirutage oma kätt tooriku alla. Kaitse ei saa teid kaitsta saeketta eest tooriku all.

liigub vabalt ega puuduta tera või ühtki muud osa, ühegi lõikenurga ega -sügavuse puudul.

Kontrollige kaitsme tagastusvedru tööd ja olukorda. Kui kaitsme ja vedru nõuetekohaselt ei tööta, siis tuleb need enne kasutamist parandada. Kaitskate võib aeglaselt töötada kahjustatud osade, kummijääkide või prahi kogunemise tõttu.

Veenduge, et sae alusplaat ei nihkuks, kui teete „sügavuslöiget“. Paigast nihkunud saeketas kiilub kinni ja võib põhjustada tagasilöögi.

Enne sae pingile või pörandale asetamist jälgige alati, et kaitskate katab tera. Kaitsmata tühikäigul töötav saeketas põhjustab sae tagurpidi liikumahakkamist, lõigates kõike, mis teele jääb. Olge ettevaatlik ja võtke arvesse aega, mille jooksul saeketas pärast lülitit vabastamist peatub.

Lõikekiilu funktsioon

Kasutage lõhestusnoole sobivat saetera. Lõikekiil peab olema saekettast paksem, kuid saeketta lõikelaiusest õhem.

Reguleerige lõikekiili vastavalt kasutusjuhendile. Vale paksume, asendi või reguleerimise tõttu ei pruugi lõikekiil tagasilööki efektiivselt ära hoida.

Selleks, et lõikekiil saaks toimida, peab see asuma lõikejäljes. Lõikenuga ei takista tagasilööke lõhikeste lõigete ajal.

Ärge kasutage saagi, kui lõhkumisinguga on kõver. Juba väike kõverus võib kettakaitsme sulgemist aeglustada.

TÄIENDAVAD OHUTUS- JA TÖÖJUHISED

Ärge kasutage abrasiivlõikeketaid.

Veenduge, et lõikekiilu ja saeketta serva vahe ei ole suurem kui 5 mm ja saeketta serv ei ulatu kaugemale kui 5 mm lõikekiilu alumisest servast.

Kasutage vaid märgistusele vastava läbimõõduga lõiketera.

Tehke kindlaks, milline on õige saeketas materjali lõikamiseks.

Kasutage vaid selliseid saekettaid, mille kiirus on võrdne või suurem kui tööriistale märgitud kiirus.

Kasutage üksnes tootja poolt soovitatud puidule ja analoogsetele materjalidele mõeldud saekettaid, mis vastavad standardile EN 847-1.

Kandke tolmumaski.

Kinnitage toorik pitskruviga. Kinnitamata toorik võib põhjustada raske kehavigastuse või tekitada varakahju.

Määratud kettakaitses võivad piirata toote nõuetekohast töötamist ning see võib põhjustada raskeid kehavigastusi. Puhastage kettakaitsesid suringuga, tagamaks, et sinna ei kogune saepuru. Kasutage nõuetekohaseid kaitseprille ja hingamisteede kaitsemeid.

Kontrollige ja veenduge, et kettakaitses toimib korralikult. Kettakaitses nõuetekohase toimimise kontrollimiseks toimige allpool kirjeldatud viisil.

- Veenduge, et aku oleks tootest eemaldatud.
- Vajutage lukustusnuppu.
- Haarake kinni eesmisest käepidemest ja suruge seda alla, et ketas alla lasta ja paljastada.
- Laske eesmisel käepidemel aeglaselt tõusta, kuni tera on täielikult kaitse sees.
- Veenduge, et kettakaitses sulgeks tera täielikult.
- Kui kaitsme ja vedru nõuetekohaselt ei tööta, siis tuleb need enne kasutamist parandada.

Kui toode kiilub kinni, lülitage see otsekohe välja. Ärge lülitage toodet pärast selle kinnikiilumist uuesti sisse. Uuesti käivitamine võib põhjustada kõrge reaktsoonijõuga tagasilöögi. Tehke kindlaks, miks toode kinni kiilus ja kõrvaldage selle põhjus, pidades kinni ohutusjuhistest.

Eemaldage aku, enne mistahes tööde teostamist toote juures.

AKU LISAOHUTUSJUHISED

⚠ HOIATUS! Et vähendada tulekahju ja kehaliste vigastuste ohtu ning lühisest tulenevat toote kahjustamist, ärge kunagi kasutage tööriista, akut või laadijat vedelikesse ega laske neil vedelikega kokku puutuda. Sõõritavad või elektrit juhtivad vedelikud (nt merevesi, teatud tööstuskemikaalid ja pleegitusvahendid või pleegitajad sisaldavad tooted jne) võivad põhjustada lühise.

Ärge pange kasutatud akupakette majapidamisjäätmete hulka ega püüdke neid põletada. AEG müügiesindused võtavad vastu vanu akusid, et kaitssta keskkonda.

Kui akut ei ole mõnda aega kasutatud, tuleb seda enne kasutamist laadida.

Optimaalse kasutusajaga seoses tuleb aku pärast kasutamist täis laadida.

Kui aku hoistatakse kauemaks kui 30 päevaks:

- Hoidke akut kohas, mille temperatuur on madalam kui 27 °C ja mis on kaitsitud niiskuse eest.
- Hoistage akut 30%-50% laetud olekus.
- Pärast igat kuute hoistatud kuud, laadige akut nagu tavaliselt.

Aku kaitsme

Akul on ülekoormuskaitse, mis kaitsab seda üle koormamise eest ja aitab tagada seadme pikka kasutusiga.

Äärmusliku pinge korral lülitab aku elektroonika toote automaatselt välja. Taaskäivitamiseks lülitage toode välja ja seejärel uuesti sisse. Kui toode uuesti ei käivitu, võib aku olla täielikult tühenenud. Laadige aku.

Liitumakude teiselamine

Liitumioonakule kehtib ohtlike kaupade seadusandlus.

Akude transportimisel peab järgima kohalikke, riiklikke ja rahvusvahelisi sätteid ning määruseid.

- Akusid saab maanteel transportida täiendavate nõueteta.
- Ärilsel eesmärgil toimuvale liitum-ioonakude transportile kolmandate isikute poolt kohalduvad ohtlike kaupadega seotud eeskirjad. Veoks ettevalmistamist ja vedu tohivad korraldada ainult vastava väljaõppega töötajad pädevate asjatundjate järelevalve all.

Akude transportimisel:

- Veenduge, et aku kontaktklemmid on nii kaitsitud ja isoleeritud, et lühiühendus on vedamise ajal välditud.
- veenduge, et aku ei liiguks pakendis.
- Ärge transportige pragunenud või lekkivaid akusid.
- Küsige lisateavet transportettevõtelt.

TEA OMA TOODET

Vt lk 2-3.

1. Vajutage juhtimiskangi
2. Võlli lukustus
3. Välistera seis
4. Tera kruvi
5. Tolmuava
6. Muutivõti
7. Lõikekiil
8. Saeketas
9. Trajektoori klamber
10. Isoleeritud haardepinnaga eesmine käepide
11. Lukustusnupp
12. Isoleeritud haardepinnaga käepide
13. Päästik
14. Aku
15. Lõikesügavuse nupp
16. Negatiivne 1° lükandiugur
17. Trajektoori
18. Roomiku reguleerimisnupp
19. Kalde näit
20. Kaldus 45° liugkang
21. Kaldenurga lukustusnupp
22. 0° kaldnurga seadistuskruvi
23. Paralleelne seadistuskruvi
24. 45° kaldnurga seadistuskruvi

HOOLDUS

Plastosade puhastamisel vältige lahustite kasutamist. Enamik plastikiid on vastuvõtlikud erinevat tüüpi kaubanduslikele lahustitele ja võivad kokkupuutel saada kahjustada. Kasutage mustuse, süsinikutolmu jms eemaldamiseks puhtaid lappe.

Kasutage üksnes AEG tarvikuid ja AEG varuosi. Kui on vaja asendada osi, mida siin ei ole kirjeldatud, võtke ühendust AEG hooldusspetsialistiga (vt meie garanti/hooldusega seotud aadresside nimekirja).

Vajaduse korral saab tellida toote jooniseid. Märkige etiketile trükitud toote tüüp ja seerianumber ning tellige joonis kohalikult



SÜMBOLID

	Enne toote kasutamist lugege juhised korralikult läbi.
	Alalisvool
	Kasutage kuulmiskaitsevahendeid.
	Kasutage sobivat tolumaski.
	Kasutage silmakaitseid.
	Kasutage kaitsekindaid.
	Hoidke käed löikepiirkonnast ja teravast saekettast eemal.
	Ärge kõrvaldage kasutatud patareisid ning elektri- ja elektroonikaseadmete jääkmeid sortimata olmejäätmetena. Kasutatud patareisid ning elektri- ja elektroonikaseadmete jääkmeid tuleb koguda eraldi. Patareijäätmel, akujäätmel ja jäätmestest vaigusallikad tuleb seadmetest eemaldada. Taaskasutusnõuannete ja kogumispunktiga seotud teabe saamiseks pöörduge kohaliku omavalitsuse või edasimüüja poole. Kohalike eeskirjade kohaselt võib jaemüüjatel olla kohustus kasutatud patareisid ning elektri- ja elektroonikaseadmete jääkmeid tasuta tagasi võtta. Teie panus kasutatud patareide ning elektri- ja elektroonikaseadmete jääkmete korrasutamises ja ringlussevõttu aitab vähendada toorainete nõudlust. Patareijäätmel, mis sisaldavad eelkõige liitiumi, ning elektri- ja elektroonikaseadmete jääkmeid sisaldavad vääruslikke ringlussevõetavaid materjale, mis võivad keskkonda ja inimeste tervist kahjustada, kui neid ei kõrvaldata keskkonnasäästlikul viisil. Olemasolul kustutage jäätmeseadmetest isikuandmed.

RU ПЕРЕВОД ОРИГИНАЛЬНЫХ ИНСТРУКЦИЙ

ИСПОЛЬЗОВАНИЕ

Погружная дисковая пила предназначена для продольного и поперечного распила древесины или аналогичных материалов на глубину до 58,5 мм. Изделие может выполнять прямые или косые пропилы под углом от 0 до 45 градусов.

Изделие предназначено для использования в портативном режиме. Изделие не подлежит креплению на верстаке. Не используйте изделие для резки металла или камня.

Используйте устройство строго по назначению, указанному в настоящем руководстве.

⚠ ОСТОРОЖНО! Ознакомьтесь со всеми инструкциями по технике безопасности, иллюстрациями и техническими характеристиками, входящими в комплект изделия. Несоблюдение всех инструкций, указанных ниже, может

привести к поражению электрическим током, пожару и / или серьезным травмам.

Храните все предупреждения и инструкции для дальнейшего использования.

ПРЕДУПРЕЖДЕНИЯ ПО ТЕХНИКЕ БЕЗОПАСНОСТИ ПРИ РАБОТЕ С ПОГРУЖНОЙ ДИСКОВОЙ ПИЛОЙ

Выполнение разрезов

⚠ ОПАСНО: Не держите руки в области резания и режущего диска. Вторую руку кладите на дополнительную рукоятку или корпус двигателя. Держите инструмент двумя руками, это позволит избежать попадания рук под пильный диск.

Не помещайте руки под обрабатываемую деталь. Защитный кожух не может защитить Вас от лезвия под заготовку.

Отрегулируйте глубину пропила в соответствии с толщиной заготовки. Не допускайте, чтобы пильный диск проходил заготовку более, чем на высоту зуба.

Запрещается удерживать обрабатываемую деталь руками или размещать поперек ног. Закрепите изделие на устойчивой платформе. Важно следить за своей безопасностью, избегать заклинивания диска или потери контроля над инструментом.

При выполнении операций, при которых режущий инструмент может задеть скрытые провода, удерживайте инструмент за изолированную захватную поверхность. Касание провода, находящегося под напряжением, может вызвать протекание электрического тока через металлические части электроинструмента и привести к поражению оператора электрическим током.

Во время работы используйте параллельный упор или направляющую. Это улучшит точность резки и снизит риск заклинивания диска.

Всегда используйте пильные диски правильного размера и формы, с соответствующим диаметром посадочного отверстия. Пильные полотна, не соответствующие элементам крепления пилы, будут смещаться относительно центра, вызывая потерю управляемости.

Никогда не используйте поврежденные или нештатные шайбы или болты крепления пильного диска. Крепеж пильного диска был специально разработан для данного инструмента и обеспечивает наилучшее качество работы и безопасность.

Причины отскоков и связанные с ними предупреждения:

- отдача — спонтанная реакция на зажатие, заклинивание или смещение пильного полотна, в результате чего пила резко отбрасывается вверх и в сторону от обрабатываемой детали, по направлению к оператору;
- при зажатии или заклинивании полотна внутри пропила происходит блокирование полотна, и двигатель по инерции толкает прибор в сторону оператора;
- Если пильный диск установлен неправильно, зубья развернуты в противоположную сторону или имеется биение, удар тыльной стороной зуба о заготовку приведет к подпрыгиванию пилы по направлению к оператору.

Отдача является результатом ненадлежащего использования инструмента и/или неправильной работы оператора, и ее можно избежать путем принятия надлежащих мер предосторожности, которые приводятся ниже.

Держите инструмент двумя руками так, чтобы вы могли противостоять отдаче. Стойте сбоку от пильного диска, но не на линии пропила. При отдаче можно сохранить контроль над инструментом, если предпринять соответствующие меры предосторожности.

В случае, если пильный диск останавливается из-за заклинивания или по какой-либо другой причине, выключите пилу и держите ее неподвижно до полной остановки диска. Никогда не пытайтесь извлечь пилу из заготовки или потянуть пилу назад при вращающемся режущем диске, так как это может привести к отскоку. Обязательное установите и устраните причину заклинивания.

При повторном запуске пилы на рабочем месте выровняйте пильное полотно внутри пропила, чтобы зубья пилы не соприкасались с материалом. Если пильное полотно искривлено, существует опасность его смещения или отдачи внутри обрабатываемой детали при повторном запуске.

Предусматривайте дополнительные упоры при работе с крупногабаритными заготовками, чтобы минимизировать риск защемления диска или отдачи. Крупные заготовки как правило прогибаются под своим весом. Упоры должны устанавливаться под заготовкой с обеих сторон от линии реза и рядом с краем заготовки.

Не используйте тупые или поврежденные пильные диски. В результате использования изношенного диска получается более узкий пропил, что приводит к увеличению трения и повышает вероятность заклинивания.

Рычаги установки глубины пропила и угла резания должны быть жестко зафиксированы до начала работы. Изменение положения пильного диска во время работы может привести к заклиниванию и отдаче.

Соблюдайте предельную осторожность при выполнении врезок в существующие стены или другие глухие зоны. Выступающий с другой стороны объекта диск может наткнуться на неожиданное препятствие, что приведет к обратному удару.

Принцип работы защитного ограждения

Перед каждым использованием проверяйте, полностью ли закрывается защитное ограждение. Запрещается использовать пилу, если перемещение кожуха затруднено и он не закрывает диск мгновенно. Запрещается зажимать или привязывать защитное ограждение с целью обнажения лезвия. При случайном падении пилы кожух может погнуться. Убедитесь, что кожух свободно перемещается и не касается диска или других деталей при любом угле наклона и любой глубине резки.

Проверьте работу и состояние возвратной пружины защитного ограждения. В случае неправильной работы, обратитесь в сервисный центр. Перемещение кожуха может быть затруднено из-за поврежденных деталей, скопления смол или засорения.

Убедитесь, что основание пилы не может сместиться при выполнении врезного пропила. Боковое смещение полотна приведет к заклиниванию и отбрасыванию пилы.

Прежде чем размещать пилу на верстаке или полу убедитесь, что диск закрыт защитным кожухом. Отсутствие защиты на движущемся пильном диске приведет к тому, что пила начнет «пятиться», при этом диск будет пилить все на своем пути. Не забывайте о времени, которое требуется для полной остановки пильного диска после нажатия клавиши выключения инструмента.

Принцип работы расклинивающего ножа

Пильное полотно должно соответствовать типу расклинивающего ножа. Для срабатывания расклинивающего ножа корпус полотна должен быть тоньше расклинивающего ножа, а ширина реза полотна должна превышать толщину расклинивающего ножа.

Процесс регулировки расклинивающего ножа описан в настоящем руководстве. Неверная регулировка зазоров и неправильное размещение расклинивающего ножа может привести к потере его эффективности для предотвращения отдачи.

Чтобы расклинивающий нож сработал, он должен соприкасаться с обрабатываемой деталью.

Расклинивающий нож неэффективен для предотвращения отдачи при выполнении коротких пропилов.

Не используйте пилу, если расклинивающий нож погнут. Даже легкая помеха может замедлить срабатывание защитного ограждения.

ДОПОЛНИТЕЛЬНАЯ ТЕХНИКА БЕЗОПАСНОСТИ И ИНСТРУКЦИИ ПО ЭКСПЛУАТАЦИИ

Не используйте абразивные круги.

Отрегулируйте расклинивающий нож таким образом, чтобы расстояние между ножом и кромкой полотна не превышало 5 мм и кромка полотна не выходила за нижний край расклинивающего ножа более чем на 5 мм.

Диаметр(-ы) полотна следует подбирать в соответствии с маркировкой.

Полотно должно соответствовать обрабатываемому материалу.

Необходимо использовать полотно, маркировка скорости которого совпадает со значением скорости, указанном на инструменте, или превышает его.

При распиле древесины или аналогичных материалов допускается использование только пильных полотен, рекомендованных производителем в соответствии со стандартом EN 847-1.

Надевайте пылезащитную маску.

Зажимайте обрабатываемое изделие зажимным устройством. Незажатые обрабатываемые изделия могут стать причиной тяжелых травм и повреждений.

Загрязненное ограждение пильного полотна может помешать нормальной работе изделия, а также привести к травме. Очищайте ограждение пильных полотен от опилок с помощью сжатого воздуха. Надевайте соответствующую защиту для глаз и органов дыхания.

Убедитесь в должной работоспособности защитного кожуха полотна. Для проверки функциональности защитного кожуха полотна выполните следующие шаги.

- Убедитесь, что из изделия извлечен аккумуляторный блок.
- Нажмите на кнопку выключения.
- Возьмитесь за переднюю рукоятку и приложите усилие по направлению вниз. В результате полотно опустится, и обнажится его рабочая часть.
- Медленно поднимите переднюю рукоятку до момента, когда полотно будет полностью расположено внутри защитного кожуха.
- Убедитесь, что защитный кожух полностью закрывает полотно.
- В случае неправильной работы, обратитесь в сервисный центр.

В случае застревания инструмента немедленно выключите его. В случае заклинивания не включайте изделие повторно. Повторный запуск может вызвать отдачу под воздействием силы противодействия. Определите причину заклинивания инструмента и устраните ее, внимательно соблюдая технику безопасности.

Перед запуском и использованием изделия извлеките аккумуляторный блок.

ТРЕБОВАНИЯ БЕЗОПАСНОСТИ ПРИ ИСПОЛЬЗОВАНИИ ДОПОЛНИТЕЛЬНОЙ АККУМУЛЯТОРНОЙ БАТАРЕИ

⚠ ОСТОРОЖНО! Чтобы уменьшить риск пожара, травмы и повреждения изделия вследствие короткого замыкания не погружайте инструмент, аккумуляторный блок или зарядное устройство в жидкость и не допускайте попадания жидкости внутрь. Коррозийные или проводящие жидкости, такие как морская вода, некоторые промышленные химикаты, отбеливатели и содержащие отбеливатели продукты и т.п., могут приводить к короткому замыканию.

Не выбрасывайте использованные батареи как бытовой мусор и не сжигайте их. Дистрибьюторы AEG предлагают услугу возврата старых аккумуляторов для защиты окружающей среды.

Аккумуляторные блоки, которые не использовались какое-то время, перед началом эксплуатации необходимо зарядить.

Для обеспечения оптимального срока службы после использования изделия аккумуляторные блоки необходимо полностью заряжать.

При хранении аккумуляторного блока более 30 дней:

- Храните аккумуляторный блок в сухом месте при температуре до 27 °C.



- Храните аккумуляторный блок с зарядом 30%-50%.
- Каждые шесть месяцев хранения заряжайте аккумуляторный блок в обычном режиме.

Защита аккумуляторного блока

Аккумуляторный блок оснащен защитой от перегрузки, препятствующей перегрузке и продляющий его срок службы.

При резком увеличении нагрузки электроника отключает аккумулятор автоматически. Чтобы перезагрузить изделие, выключите и повторно включите его. Если изделие не запустится, возможно, аккумуляторный блок полностью разряжен. Зарядите аккумуляторный блок.

Перевозка литиевых батарей

При обращении с литий-ионной батареей выполняйте рекомендации постановлений об обращении с опасными изделиями.

Транспортировка указанных аккумуляторов должна осуществляться в соответствии с региональными, национальными и международными нормами и правилами.

- Допускается перевозка аккумуляторов без дополнительных требований.
- Коммерческая транспортировка литий-ионных аккумуляторов третьими лицами регулируется правилами обращения с опасными грузами. Подготовка транспорта и перевозка должны выполняться только обученным работником и под наблюдением соответствующих специалистов.

При транспортировке аккумуляторов:

- Убедитесь, что батарея и контакты защищены и изолированы для предотвращения короткого замыкания.
- Убедитесь в том, что аккумуляторный блок надежно зафиксирован внутри упаковки.
- Не переносите батареи с повреждениями или утечками.
- За дальнейшими консультациями обратитесь в транспортно-экспедиционную компанию.

ИНФОРМАЦИЯ ОБ ИЗДЕЛИИ

См. стр. 2-3.

1. Рычаг управления погружением
2. Фиксатор шпинделя
3. Наружная шайба диска
4. Зажимной винт полотна
5. Патрубок для отсасывания пыли
6. Гаечный ключ
7. Расклинивающий нож
8. Пильное полотно
9. Зажим для шины
10. Передняя рукоять, изолированная поверхность захвата
11. Кнопка блокировки
12. Рукоять, изолированная поверхность захвата
13. Курковый переключатель
14. Аккумуляторный блок
15. Кнопка регулировки глубины пропила
16. Регулятор разблокировки положения -1°
17. Шина
18. Ручка регулировки перемещения по шине
19. Индикатор угла распила
20. Рычаг выхода за пределы 45°
21. Фиксатор наклона
22. Юстировочный винт для положения 0°
23. Юстировочный винт параллельного положения
24. Юстировочный винт для положения 45°









ОБСЛУЖИВАНИЕ

В процессе очистки пластиковых деталей не используйте растворители. Большинство пластмасс подвержены пагубному воздействию различных типов бытовых растворителей и могут быть повреждены под их воздействием. Для удаления грязи, карбоновой пыли и т.д. используйте чистую ткань.

Используйте только дополнительное оборудование AEG и запасные детали AEG. При необходимости замены неуказанных здесь компонентов обратитесь к одному из сервисных представителей AEG (см. перечень адресов гарантийных/сервисных центров).

В случае необходимости можно заказать изображение изделия в разобранном виде. Заявку с указанием типа изделия, а также серийного номера, напечатанного на этикетке, отправьте одному из сервисных представителей в вашем регионе или по адресу: Techtronic Industries GmbH, Max-Eyth-Straße 10, 71364 Winnenden, Germany.

УСЛОВНЫЕ ОБОЗНАЧЕНИЯ

	Перед запуском изделия ознакомьтесь с инструкцией.
	Постоянный ток
	Используйте наушники!
	Используйте подходящую пылезащитную маску.
	Используйте защитные очки.
	Используйте защитные перчатки
	Держите руки на расстоянии от зоны резки и острого полотна.
	Утилизация аккумуляторов, электрического и электронного оборудования в месте с несортированными бытовыми отходами не допускается. Сбор аккумуляторов, электрического и электронного оборудования в месте с сортированными бытовыми отходами должен осуществляться отдельно. Перед утилизацией необходимо извлечь из оборудования элементы питания, аккумуляторы и источники света. Уточните порядок утилизации и местонахождения пункта приема у местных властей или поставщика. Ритейлеры могут быть обязаны бесплатно принимать аккумуляторы, электрическое и электронное оборудование на утилизацию в соответствии с местными регламентами. Ваш вклад в повторную переработку аккумуляторов, электрического и электронного оборудования позволит сократить потребность в сырье. Аккумуляторы, в частности, содержащие литий, а также электрическое и электронное оборудование содержит ценные для повторной переработки материалы, которые в случае ненадлежащей утилизации способны вредить экологии и здоровью людей. Перед утилизацией удалите с оборудования все персональные данные.

ВГ ПРЕВОД НА ОРИГИНАЛНИТЕ ИНСТРУКЦИИ

ОПРЕДЕЛЕНИ УСЛОВИЯ НА УПОТРЕБА

Циркулярът с водеща шина е предназначен за успоредно и напречно рязане на дърво и подобни материали на дълбочина до 58,5 mm. Продуктът може да извършва прави или скосени разрези под ъгъл от 0 до 45 градуса.

Проектиран е за ръчна употреба. Продуктът не трябва да се монтира на работна маса. Не използвайте продукта за рязане на метал или зидария.

Не го използвайте за никакви други цели.

⚠ ПРЕДУПРЕЖДЕНИЕ! Прочетете всички инструкции с предупреждения за безопасност, илюстрации и спецификации, предоставени с този продукт. Неспазването на инструкциите, изброени по-долу, може да доведе до електрически удар, пожар и/или тежки физически травми.

Запазете всички предупреждения и инструкции за бъдещи справки.

ПРЕДУПРЕЖДЕНИЯ ЗА БЕЗОПАСНОСТ НА ЦИРКУЛЯР С ВОДЕЩА ШИНА

Процедури за рязане

⚠ ОПАСНОСТ: Дръжте ръцете си далече от зоната на рязане и острието. Дръжте другата си ръка върху спомогателната ръкохватка или корпуса на двигателя. Ако и двете ръце държат триона, те не могат да бъдат порязани от острието.

Не поставяйте ръката си под работния детайл.

Предпазителят не може да ви защити от острието под работния детайл.

Регулирайте дълбочината на рязане според дебелината на работния детайл. Под работния детайл трябва да се вижда по-малко от цялата дължина на зъбите на острието.

По време на рязане никога не дръжте детайла в ръце или през краката си. Закрепете работния детайл към стабилна платформа. Важно е да закрепвате детайла правилно, за да се намалят до минимум рисковете за тялото, извиването на острието или загубата на контрол.

Дръжте електрическия инструмент за изолираните повърхности за хващане, когато извършвате операция, при която режещият инструмент може да влезе в контакт със скрити проводници. Контактът с проводник, по който тече ток, може да доведе до протичането на ток по неизолзираните метални части на електрическия инструмент и да причини токов удар на оператора.

Когато правите надлъжен разрез, винаги използвайте оградка за нацепване или прав ъглов водач. Това подобрява точността при рязане и намалява възможността от огъване на острието.

Винаги използвайте остриета с правилен размер и форма (диамантени пред кръгли) с дупки. Дискове, които не съответстват на монтажната рамка на триона, ще работят ексцентрично, което води до загуба на контрол.

Никога не използвайте повредени или неправилни болтове или шайби за остриетата. Шайбите и болтовете на остриетата са направени специално за вашия трион за оптимално изпълнение и безопасност при работа.

Причини за откат и свързани с това предупреждения:

- откатът е внезапна реакция на притисването, огъването или изкривеното острие, което води до неконтролиран отскок на триона от работния детайл към оператора;
- когато острието е притиснато или здраво захванато в прореза, то засяда и реакцията на мотора започва да издърпва уреда назад към оператора;
- Ако острието се усуче или изкриви в прореза, зъбите в задния край на острието може да задълбавят в горната повърхност на дървото, което ще причини отскачане на острието от прореза към оператора.

Откатът е следствие на неправилно използване на електрическия инструмент. Той може да бъде предотвратен с предприемане на подходящи предпазни мерки, които са описани по-долу.

Поддържайте здрав захват с две ръце върху машината и застанете така, че да можете да противостоите на откатните сили. Разположете тялото си от която и да е страна на острието, но не и успоредно с него. Откатът може да накара острието да отскочи назад, но операторът може да контролира тези сили, ако се вземат подходящи предпазни мерки.

Когато острието е захванато или когато рязането се прекъсне по някаква причина, освободете спусъка и дръжте триона в покой в материала, докато острието напълно спре. Никога не опитвайте да изваждате триона от работния детайл или да го дърпате назад, докато острието се движи, тъй като може да се получи откат. Направете проверка и предприемете коригиращи действия, за да отстраните причината за огъване на острието.

При повторно стартиране на работа с циркуляр в работния детайл центрирайте циркулярния диск в разреза, така че зъбите му да не са захванати в материала. Ако острието на триона се огъне, може да се извади или да отскочи от детайла при рестартиране на триона.

Поддържайте по-големите панели, за да намалите риска от заципване и откат на острието. Големите панели могат да се огънат от собствената си тежест. Трябва да се поставят подпори под панела, от двете страни, близо до линията на рязане и до ръба на панела.

Не използвайте тъпи или повредени остриета.

Неподстрепените или неправилно поставени остриета правят тесни прорези, което причинява прекомерно триене, огъване на острието и откат.

Регулирайте заключващи постове за дълбочината на острието и за наклона трябва да са затегнати здраво преди да се пристъпи към рязане. Ако регулирането на острието се измести по време на рязане, то може да причини огъване и откат.

Бъдете особено внимателни, когато режете в съществуващите стени или други слепи зони. Издаденото острие може да среже предмети, които могат да причинят откат.

Функция на предпазителя

Преди всяка употреба проверявайте дали предпазителят се затваря правилно. Не работете с циркуляра, ако предпазителят не се движи свободно и не закрива незабавно острието. Никога не стягате или връзвайте предпазителя така, че острието да е открито. Ако циркулярът бъде случайно изпуснат, предпазителят може да се огъне. Проверете дали предпазителят се движи свободно и не докосва острието или някоя друга част при всички ъгли и дълбочини на рязане.

Проверете работата на възвратната пружина на предпазителя. Ако предпазителят и възвратната пружина на работят правилно, те трябва да се сервизират преди употреба. Възможно е предпазителят да работи бавно поради повредени части, лепкави отлагания или натрупване на замърсявания.

Уверете се, че базовата плоча на циркуляра няма да се измести, докато извършвате потъващ разрез. Ако острието премести настрана, това ще доведе до огъване и вероятно до откат.

Винаги следете дали предпазителят покрива острието, преди да поставите циркуляра на маса или на пода. Незащитено, работещо по инерция острие ще причини движение на триона назад и ще нареже всичко по пътя си. Внимавайте за времето, необходимо на острието да спре след отпускане на превключателя.

Функция на разклинващия нож

Използвайте подходящ циркулярен диск за разклинващия нож. За да действа правилно разклинващият нож, тялото на острието трябва да бъде по-тънко от дебелината на разклинващия нож, а ширината на рязане на острието трябва да бъде по-голяма от ширината на ножа.

Настройте разклинващия нож, както е описано в това ръководство на потребителя. Неправилно разстояние, позициониране и центровка може да направи разклинващия нож неефективен при предотвратяването на откат.

За да работи разклинващият нож, той трябва да влиза в контакт с обработвания детайл. Разклинващият нож е неефективен за предотвратяването на отката при къси срезове.

Не работете с циркуляра, ако разклинващият нож е огънат. Дори леко смущение може да забави скоростта на затваряне на предпазителя.



ДОПЪЛНИТЕЛНИ ИНСТРУКЦИИ ЗА РАБОТА И БЕЗОПАСНОСТ

Не използвайте абразивни дискове.

Уверете се, че разклинващият нож е регулиран така, че разстоянието между него и ръба на острието не е повече от 5 mm и ръбът на острието не излиза на повече от 5 mm под долния ръб на разклинващия нож.

Използвайте само дискове с диаметри в съответствие с маркировките.

Установете правилния циркулярен диск за материала, който трябва да се отреже.

Използвайте само циркулярни дискове, маркирани със скоростр, авна или по-висока от скоростта, маркирана върху инструмента.

Използвайте само препоръчани от производителя остриета за трион, които отговарят на EN 847-1, ако са предназначени за дърво и аналогични материали.

Носете подходяща маска против прах.

Закрепете работния детайл с устройство за захващане. Незакрепени обработвани детайли могат да причинят сериозно нараняване или щети.

Ако предпазителите на дисковете за замърсени, това може да ограничи възможността за правилна работа с уреда, което да доведе до сериозно физическо нараняване. Почистете предпазителите на дисковете със съгъстен въздух, за да се уверите, че няма натрупване на стърготини. Носете подходящи очила и маска за дихателна защита.

Проверете и се уверете, че предпазителят на циркулярния диск функционира правилно. Изпълнете стъпките по-долу, за да проверите дали предпазителят на циркулярния диск функционира правилно.

- Уверете се, че батерията е извадена от продукта.
- Натиснете бутона за блокиране.
- Хванете предната ръкохватка и натиснете надолу, за да се снижи и извади циркулярният диск.
- Оставете предната ръкохватка да се повдигне бавно, докато циркулярният диск се прибере напълно под предпазителя.
- Уверете се, че предпазителят обхваща напълно циркулярния диск.
- Ако предпазителите и възвратната пружина на работят правилно, те трябва да се сервизират преди употреба.

Изключете продукта незабавно, ако блокира. Не включвайте продукта отново, след като е блокирал. Повторното му включване може да предизвика откат с голяма реакционна сила. Разберете защо продуктът е блокирал и отстранете причината за това, като се съобразите с инструкциите за безопасност.

Извадете батерията, преди да започнете каквато и да е работа по уреда.

ДОПЪЛНИТЕЛНИ ПРЕДУПРЕЖДЕНИЯ ЗА БЕЗОПАСНОСТ ЗА БАТЕРИЯТА

⚠ ПРЕДУПРЕЖДЕНИЕ! За да намалите риска от пожар, физическо нараняване и повреда на продукта поради късо съединение, никога не потапяйте инструмента, акумулаторната батерия или зарядното устройство в течност и не позволявайте в тях да проникне течност. Корозивни или електропроводими течности, като например морска вода, някои промишлени химикали и белина или съдържащи белина продукти и др., могат да причинят късо съединение.

Не извършвайте използваните батерии в битовите отпадъци и не се опитвайте да ги горите. Дистрибуторите на AEG предлагат да приемат обратно стари батерии, за да защитят нашата околна среда.

Акумулаторните батерии, които не са били използвани известно време, трябва да се презареждат преди употреба.

За да се гарантира оптимален срок на използване на акумулаторните батерии, те трябва да се зареждат напълно след употреба.

За съхраняване на батерията над 30 дни:

- Съхранявайте батерията на място с температура под 27 °C и далеч от влага.

- Съхранявайте батериите при заредено състояние от 30%-50%.
- На всеки шест месеца от съхранението зареждайте батерията както обикновено.

Защита на акумулаторната батерия

Акумулаторната батерия има защита от презареждане, която я предпазва от прекомерно зареждане и помага за увеличаването на нейния експлоатационен цикъл.

При прекомерно натоварване електрониката в батерията изключва продукта автоматично. За да рестартирате продукта, изключете го и отново го включете. Ако продуктът не се стартира отново, акумулаторната батерия може да не се е разредела докрай. Заредете батерията.

Транспортиране на литиеви батерии

Литиево-йонната батерия подлежи на законодателството за опасни стоки.

Транспортирането на тези батерии трябва да се извършва в съответствие с местните, националните и международните разпоредби и наредби.

- Батериите могат да се транспортират по шосе без допълнителни изисквания.
- Търговският транспорт на литиево-йонни батерии от трети страни е предмет на разпоредбите на нормативната уредба за опасните товари. Подготовката за транспортиране и самото транспортиране следва да се извършват от лица, изрично обучени за тези цели, като тези дейности трябва да се съблюдават от съответните експерти.

При транспортиране на батерии:

- Уверете се, че контактните клеми на батерията са защитени и изолирани, за да се предотврати възникването на късо съединение.
- Уверете се, че акумулаторната батерия е закрепена и не се движи в опаковката.
- Не транспортирайте батерии, които са спукани или текат.
- Свържете се със следната компания за допълнителен съвет.

ЗАПОЗНАЙТЕ СЕ С ПРОДУКТА СИ

Вж. стр. 2-3.

1. Лост за управление на дълбочината
2. Заклучване на шпиндела
3. Външна шайба на острието
4. Бутон за диска
5. Отвор за прах
6. Гаечен ключ
7. Разклинващ нож
8. Острие за трион
9. Стяга за водещата шина
10. Предна ръкохватка, изолирана повърхност за захващане
11. Бутон за блокиране
12. Ръкохватка, изолирана повърхност за захващане
13. Спусък
14. Акумулаторна батерия
15. Бутон за управление на дълбочината
16. Плъзгач за отрицателен радиус на наклона на зъба от 1°
17. Водеща шина
18. Копче за регулиране на шината
19. Индикатор за скосяване
20. Лост за байпас за скосяване под 45°
21. Копче за фиксиране на скосяването
22. Винт за настройка на скосяване на 0°
23. Винт за паралелна настройка
24. Винт за настройка на скосяване на 45°









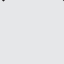
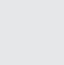
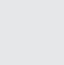
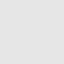
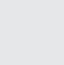
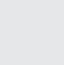
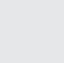
ПОДДРЪЖКА

Избягвайте употребата на разтвори, когато почиствате пластмасови части. Повечето пластмасови елементи са податливи на различни видове достъпни в търговската мрежа разтвори и могат да бъдат повредени при използването на такива разтвори. Използвайте меки кърпи за отстраняване на замърсявания, въглероден прах и др.

Използвайте само аксесоари и резервни части на AEG. Ако компонентите, които не са описани, трябва да се подменят, се свържете с някой от нашите сервизни представители на AEG (вижте нашия списък с адреси за гаранции/обслужване).

Ако е необходимо, можете да поръчате изображение на продукта в разгледен вид. Посочете типа и серийния номер на продукта, отпечатани на етикета, и поръчайте чертѝжа при местните сервизни представители или директно на: Techtronic Industries GmbH, Max-Eyth-StraÙe 10, 71364 Winnenden, Germany.

СИМВОЛИ

	Прочетете внимателно инструкциите, преди да стартирате продукта.
	Постоянен ток
	Носете антифони.
	Носете подходяща прахозащитна маска
	Носете предпазни средства за очите.
	Носете предпазни ръкавици.
	Дръжте ръцете си далече от зоната на рязане и наостреното острие.
	Не изхвърляйте отпадъците от батерии, електрическо и електронно оборудване като несортирани битови отпадъци.
	Отпадъците от батерии и електрически и електронно оборудване трябва да се събират отделно.
	Отпадъците от батерии, акумулатори и светлинни източници трябва да бъдат премахнати от оборудването.
	За съвети относно рециклирането и пункта за събиране се обърнете към вашите местни власти или търговски представители.
	Съгласно местните разпоредби търговците на дребно трябва да бъдат задължени да приемат обратно отпадъци от батерии и електрическо и електронно оборудване.
	Вашият принос за повторната употреба и рециклирането на отпадъци от батерии и електрическо и електронно оборудване помага за намаляване на търсенето на суровини.
	Отпадъците от батерии, особено съдържащите литий, и електрическо и електронно оборудване съдържат ценни, подходящи за рециклиране материали, които може да имат неблагоприятно въздействие върху околната среда и човешкото здраве, ако не бъдат изхвърлени по екологичен начин.
	Ако на отпадъчното оборудване има лични данни, изтрийте ги.

RO TRADUCEREA INSTRUCȚIUNILOR ORIGINALE

CONDIȚII DE UTILIZARE SPECIFICATE

Fierăstrăul cu ÷ină este destinat tăierii pe fibră sau transversală a lemnului sau a materialelor similare până la o адъncimea максимă de 58,5 mm. Продуктът може да изпълнява директни или коси резове до 45 градуса.

Продуктът е проектиран да се държи в ръка. Продуктът не е проектиран да се монтира на работен стол. Не се използва продуктът за резане на метал или бетон.

Не използвайте продуктът в никакъв друг начин освен този, който е посочен в инструкциите за употреба.

⚠️ AVERTISMENT! Цитири всички инструкции за предупреждение за безопасност, илюстрациите и спецификациите, предоставени заедно с продукта. Неспазването на инструкциите може да причини аварии, като например пожар, електрически удар или тежки травми.

Пазете всички инструкции и предупреждения за безопасност за консултация по-късно.

AVERTISMENTE DE SIGURANȚĂ PENTRU FIERĂSTRĂUL CU ÷INĂ

Процедури де тдйере

⚠️ PERICOL: Тдрнежи-вд мдйнелe на дистанция де зона де тдйере ÷и де ламд. Мдйна декарe не тдрнежи мднерул принципал ал апаратулул тдрбуе ÷а тдрнежи мднерул алуилар ÷ау сд ÷е а̀езадат пе карца моторулул. Astfel, мдйнелe думнеавоастра не рдска сд се гд̀еаскд в зона де тдйере ÷ау пе траектория ламеи.

Не атигеджте партеа де суб пд̀са де lucru. в ацест loc, апд̀рдоареа ламеи не ацоперд ламд ÷и не вд поате протежа.

Reglaj адъncimea де тдйере в функцие де grosimea пд̀siei де prelucrat. Dinții ламеи не тдрбуе сд депд̀еаскд в втрегиме grosimea пд̀siei де prelucrat вт timpul тдйерии.

Не тдрнежи ндциодатд пд̀са де lucru numai в мд̀ни ÷ау втре picioarele dvs. вт timpul тдйерии. Fixați-o пе un suport stabil. Este primordial сд fixați corect пд̀са де prelucrat pentru а не вд expune рдскулор де рд̀нере ÷и pentru а не вдои ламд ÷ау а pierde controlul тдйерии.

Прд̀нежи унеалта електрицд numai де suprafețele де прд̀нере izolate атунци цднд ефектуад о пераджионе в care унеалта де тдйере поате втра вт contact цу каблурд асцунсе. Contactul цу fire електрице „descoperite” vor face expuse пд̀шїе дин metal ал апаратулул електриц сд ÷е ÷е „descoperite” ÷и поате сд electrocuteze операторул.

Utilizați втотдеауна un ghid де тдйере paraleld ÷ау о rigidд атунци цднд ефектуад о тдйере paraleld. Precizia тдйерии вд мд̀на бунд ÷и veți evita рдскул де вдоире а ламеи.

Utilizați втотдеауна lame де мд̀рїмеа ÷и форма adaptate ла diametrul axului. Lamele care не ÷е potrivesc цу suportul де montare ал ферд̀стрд̀рулул се vor descentra cauzdnd pierderea controlului.

Не utilizați ндциодатд ÷урубурд ÷ау flanșe де ламд defecte ÷ау neadaptate. Flanșele ÷и ÷урубурдлe де ламд ау fost concepute special pentru modelul де ферд̀стрд̀ру, pentru о сигуранцд ÷и о performanцд optime.

Cauze ale reculului ÷и аvertisdri прд̀воitoare ле el:

- reculul este reacция bruscd а ламеи де fierd̀strд̀ру care este вдоитд, blocatд ÷ау nealinatд, determindnd fierd̀strд̀рул scd̀pat де sub control сд ÷е ridice ÷и сд иадд дин пд̀са, spre operator;
- атунци цднд ламд este strd̀nsд ÷ау blocat strd̀ns де fantд, aceasta се опресте, iar motorul вт funcцїуне face ca unitatea сд ÷е вдрепте rapid spre operator;
- Дадд ламд се вдоае ÷ау este aliniatд вcorect, dinții situați в партеа дин спате а ламеи рдска сд втре вт suprafaцa lemnului, ceea ce вd face ca ламд сд иадд bruscd дин пд̀са де prelucrat в дреццїа utilizatorului.

Reculul este deci rezultatul unei utilizdri вcorecte а апаратулул ÷и/ ÷ау а процедурдлор ÷ау а condiцїилор де тдйере вcorecte. Reculul поате ÷е evitat прд̀нр-о атенцїе деосебитд ацордатд respectdrii unor precauцїuni.

Тдрнежи бине ферд̀стрд̀рул цу ambele мд̀ни ÷и poziцїонаți-вд brațele astfel вцдд сд puteți controla о eventual recul. А̀езадд-вд втнр-о парте а ферд̀стрд̀рулул атунци цднд lucrдți, не stați ндциодатд пе дреццїа ламеи. Reculul proiecteazд bruscd ферд̀стрд̀рул в спате, dar ацестд мд̀сцаре поате ÷е controlatд дацд utilizatorul се а̀теапте а еа ÷и се pregd̀tește.

Дадд ламд се blocheazд, ÷ау дацд тдрбуе сд втнрерупед тдйереа дин orice motiv, eliberați трд̀гдцїул ÷и menцїonezi ferd̀strд̀рул в пд̀са де prelucrat пд̀на цднд ламд се опресте complet дин rotaцїе. Не вцерацдї сд scoateți ферд̀стрд̀рул дин

- 
- EN
- DE
- FR
- IT
- ES
- PT
- NL
- DA
- NO
- SV
- FI
- EL
- TR
- CS
- SK
- PL
- HU
- SL
- HR
- LV
- LT
- ET
- RU
- BG
- RO
- MK
- UK
- AR
- 

piesa de lucru și nu trageți ferăstrăul înapoi când pânza se află în mișcare; în caz contrar, poate surveni reculul. Dacă lama se agață, căutați cauza și luați măsurile necesare pentru ca acest lucru să nu se mai repete.

Când reîncepeți tăierea piesei de lucru, centrați lama ferăstrăului în făgaș astfel încât dinții ferăstrăului să nu fie ancoreți în material. Dacă lama fierăstrăului se blochează, aceasta se poate mișca sau ieși din piesa de prelucrat, la repornirea fierăstrăului.

Aveți grijă să susțineți piesele de prelucrat lungi pentru a evita ca lama să se agațe și pentru a limita astfel riscurile de reculuri. Piesele de prelucrat lungi au tendința să se îndoaie sub propria lor greutate. Puteți așeza suporturi pe ambele părți ale piesei de prelucrat, aproape de linia de tăiere și la nivelul capetelor piesei.

Nu utilizați lame tocite sau deteriorate. Lamele care nu sunt ascuțite sau sunt montate necorespunzător vor produce un traseu de tăiere care va duce la o frecare excesivă a lamei și deci la riscuri mai mari de lovire sau de recul.

Înainte de a începe o tăiere, verificați dacă butoanele de reglare a adâncimii și a înclinării sunt blocate corect. Dacă reglările poziției lamei se modifică în timpul tăierii, lama riscă să se agațe și se poate produce un recul.

Folosiiți atenție sporită când tăiați în zidăria existentă sau alte zone fără vizibilitate. Lama ar putea lovi elemente ascunse, ceea ce ar provoca un recul.

Funcționarea protecției

Asigurați-vă că protecția s-a închis corespunzător înainte de fiecare utilizare. Nu utilizați fierăstrăul dacă apărătoarea nu se deplasează liber și nu acoperă lama instantaneu. Nu prindeți și nu legați niciodată protecția astfel încât lama să rămână expusă. Dacă fierăstrăul este scăpat accidental, apărătoarea se poate îndoi. Verificați pentru a vă asigura că apărătoarea se deplasează liber și nu atinge lama sau orice altă piesă, la toate unghiurile și adâncimile de tăiere.

Verificați funcționarea și starea arcului de retur al protecției. Dacă apărătoarea lamei sau resortul nu funcționează corect, duceți-le la reparat sau la înlocuit înainte de a utiliza ferăstrăul. Apărătoarea poate funcționa lent din cauza pieselor deteriorate, a depunerilor de rășină sau a unei acumulari de resturi.

Asigurați-vă că placa de bază a fierăstrăului nu se va deplasa în timp ce efectuați o „tăiere cu plonjare”. Mișcarea laterală a lamei va face ca aceasta să se blocheze și să aibă o mișcare de recul.

Aveți grijă întotdeauna ca apărătoarea să acopere lama înainte de a așeza ferăstrăul pe banc sau pe podea. Dacă lama nu este acoperită corect, ea se poate să se rotească din inerție și să taie ce se găsește pe traiectoria ei. Rețineți că lama continuă să se rotească pentru un anumit timp după oprirea motorului.

Funcționarea cuțitului de despicare

Utilizați lama de ferăstrău adecvată pentru cuțitul de despicare. Pentru ca cuțitul să funcționeze, corpul lamei trebuie să fie mai îngust decât cuțitul de decupare, iar lățimea de tăiere a lamei trebuie să fie mai mare decât grosimea cuțitului de decupare.

Reglați cuțitul de despicare după cum se descrie în acest manual de instrucțiuni. Spațierea, poziționarea și alinierea incorect pot face ca cuțitul de despicare să nu poată preveni mișcarea de recul.

Pentru ca cuțitul de despicare să funcționeze, acesta trebuie să fie angajat în piesa de prelucrat. Cuțitul de despicare este inefficient în prevenirea reculului la tăieturi scurte.

Nu utilizați fierăstrăul dacă cuțitul de despicare este îndoit. Chiar și o interferență ușoară poate încetini viteza de închidere a protecției.

INSTRUCIUNI DE LUCRU ȘI DE SIGURANȚĂ SUPPLEMENTARE

Nu utilizați în niciun caz un disc abraziv.

Asigurați-vă că cuțitul de decupare este reglat astfel încât distanța dintre cuțitul de decupare și marginea lamei să nu fie mai mare de

5 mm, iar marginea lamei să nu depășească cu mai mult de 5 mm marginea inferioară a cuțitului de decupare.

Utilizați numai discuri tăietoare cu diametrul corespunzător marcatelor.

Identificați discul tăietor adecvat care se va utiliza pentru materialul ce va fi tăiat.

Utilizați numai discuri tăietoare marcate cu o viteză mai mare sau egală cu cea marcată pe unealtă.

Utilizați numai lamelele recomandate de producător, care sunt conforme cu EN 847-1, dacă acestea vor fi utilizate pe lemn și materiale analoge.

Purtați mască de prof.

Prindeți piesa de lucru cu un dispozitiv de prindere. Piesele de lucru nefixate cu clemă pot cauza vătămare gravă și pagube.

Protecțiile cu gunoi pot limita operarea adecvată a produsului, ceea ce poate duce la vătămări corporale grave. Curățați protecțiile lamei cu aer comprimat pentru a vă asigura că nu sunt acumulari de rumegus. Purtați protecții adecvate pentru sistemul respirator și pentru ochi.

Verificați și asigurați-vă că protecția discului funcționează corespunzător. Urmați pașii de mai jos pentru a vă asigura de funcționarea corespunzătoare a protecției discului.

- Asigurați-vă că bateria este scoasă din produs.
- Apăsăți butonul de blocare-oprire.
- Prindeți mânerul frontal și apăsați în jos pentru a coborî și a scoate discul.
- Lăsați încet mânerul frontal să se ridice până când discul este complet acoperit de protecție.
- Asigurați-vă că protecția discului acoperă în întregime discul.
- Dacă apărătoarea lamei sau resortul nu funcționează corect, duceți-le la reparat sau la înlocuit înainte de a utiliza ferăstrăul.

În cazul blocării, opriți imediat produsul. Nu porniți din nou produsul după ce s-a blocat. Dacă îl porniți iar, se poate genera un recul foarte puternic. Identificați cauza blocării produsului și eliminați-o, respectând instrucțiunile de siguranță.

Decuplați acumulatorul înainte de a realiza orice fel de operație de întreținere sau reparație asupra produsului.

AVERTISMENTE SUPPLEMENTARE PRIVIND SIGURANȚA LA

⚠️ AVERTISMENT! Pentru a reduce pericolul unui incendiu și evitarea rănirilor sau deteriorarea produsului în urma unui scurtcircuit nu imersați scula, acumulatorul de schimb sau încărcătorul în lichide și asigurați-vă să nu pătrundă lichide în aparate și acumulatori. Lichidele corozive sau bune conductoare de electricitate, precum apa de mare, anumite substanțe chimice industriale, hipocloritul de sodiu sau produsele care conțin hipoclorit de sodiu pot cauza scurtcircuite.

Nu aruncați acumulatorii uzați la gunoii menajer sau să-i ardeți. Distribuitorii AEG se oferă să preia spre reciclare acumulatorii uzați, pentru a proteja mediul.

Acumulatorii care nu au fost utilizați o perioadă mai lungă de timp trebuie încărcăți înainte de utilizare.

Pentru o durată de viață cât mai lungă, acumulatorii trebuie încărcăți complet, după fiecare utilizare.

În cazul depozitării acumulatorului pentru un interval mai mare de 30 de zile:

- Depozitați acumulatorii la o temperatură sub 27 °C și feriți de umezeală.
- Depozitați acumulatorii cu grad de încărcare de 30%-50%.
- La fiecare șase luni de depozitare, încărcăți acumulatorul în mod normal.

Protecția acumulatorilor

Acumulatorii au protecție la supraîncărcare ceea ce îi protejează contra supraîncărcării și le prelungește durata de funcționare.

În condiții de stres extrem, sistemele electronice cu acumulatori se opresc automat. Pentru repornire, puneți comutatorul pe poziția „off” și apoi din nou pe poziția „on”. Dacă echipamentul nu pornește din nou, este posibil ca acumulatorii să se fi descărcat complet. Reîncărcați acumulatorul.

Transportarea acumulatorilor pe litiu

Bateria de litiu-ion este subiect a legislației privind bunurile periculoase.

Transportul acumulatorilor trebuie realizat în concordanță cu prevederile și reglementările locale, naționale și internaționale.

- Acumulatorii pot fi transportați cu vehicule fără alte condiții.
- Transportul comercial al acumulatorilor Li-Ion de către terți face obiectul reglementărilor privind bunurile periculoase. Pregătirea transportării și transportarea sunt exclusiv îndeplinite de către persoane instruite corespunzător și procesul trebuie să fie însoțit de experții corespunzători.

Atunci când transportați acumulatori:

- Asigurați-vă că bornele de contact a bateriilor sunt protejate și izolate pentru a preveni scurtcircuitarea lor.
- Asigurați-vă că acumulatorul nu se poate mișca în interiorul ambalajului.
- Nu transportați acumulatori ce sunt crăpați sau au scurgeri.
- Verificați cu compania de transport pentru sfaturi ulterioare.

AFLAȚI CUM FUNCȚIONEAZĂ PRODUSUL DVS.

Vedeți pagina 2-3.

1. Mâner de control al plonjării
2. Blocarea axului
3. Șaibă de lamă exterioară
4. Șurub lamă
5. Port aspirare praf
6. Cheie fixă
7. Cuțit de despicare
8. Lama de ferăstrău
9. Clemă șină
10. Mâner frontal, suprafață de contact izolată
11. Buton de blocare
12. Mâner, suprafață de contact izolată
13. Comutator declanșator
14. Acumulator
15. Buton pentru adâncimea de tăiere
16. Glisor de ocolire 1° negativ
17. Șină
18. Buton pentru reglarea șinei
19. Indicator înclinare
20. Mâner de ocolire 45° teșit
21. Mâner rotativ de blocare pentru înclinație
22. Șurub de setare teșire 0°
23. Șurub paralel
24. Șurub de setare teșire 45°

ÎNȚREȚINEREA

A nu se utiliza solvenți pentru curățarea pieselor din plastic. Majoritatea plasticilor reacționează la diverse tipuri de solvenți comerciali și pot fi deteriorate de aceștia. Utilizați cărpe curate pentru a curăța mizeria, praful, etc.

Utilizați doar accesorii și piese de schimb AEG. Dacă este necesară înlocuirea unor componente despre care nu se discută aici, contactați un agent de service AEG (consultați lista de service-uri pentru operații în și în afara garanției).

Dacă este necesar, poate fi comandată o imagine/ schemă cu produsul descompus în piese. Specificați tipul de produs și numărul de serie de pe etichetă și comandați schema la centrul de service sau direct la: Techtronic Industries GmbH, Max-Eyth-Straße 10, 71364 Winnenden, Germany.

SIMBOLURI



Citiți cu atenție instrucțiunile înainte de a utiliza produsul.



Curent continuu



Purtați aparatoarele de urechi.



Purtați mască adecvată de protecție contra prafului.



Purtați echipament de protecție.



Purtați mănuși de protecție.



Nu apropiați mâinile de zona de tăiere și de discul tăietor.



A nu se arunca deșeurile de echipamente electronice și electrice și bateriile epuizate la gunoii menajer.

Deșeurile formate din echipamente electrice și electronice și bateriile epuizate trebuie colectate separat.

Sursele de iluminare, bateriile și acumulatorii epuizați trebuie scoase din aceste echipamente.

Solicitați consiliere de la autoritatea dvs. locală sau de la comerciantul de unde ați achiziționat aspiratorul, în privința punctului de colectare.

Conform reglementărilor naționale, vânzătorii cu amănuntul au obligația de a colecta bateriile epuizate, deșeurile de echipament electric și electronic, gratuit.

Contribuția dvs. la reciclarea și reutilizarea bateriilor epuizate, a echipamentelor electrice și electronice ajută la reducerea cererii de materii prime.

Bateriile epuizate, în special cele cu litiu, deșeurile formate din echipamente electrice și electronice conțin materiale reciclabile valoroase, care pot avea o influență negativă asupra mediului înconjurător și asupra sănătății umane, dacă nu sunt eliminate într-o manieră ecologică.

Ștergeți datele personale din echipamentul deșeu, dacă este cazul.

MK ПРЕВОДИ НА ОРИГИНАЛНИТЕ УПАТСТВА

КОНКРЕТНИ УСЛОВИ ЗА УПОТРЕБА

Пилата со водилка е наменета за надолжно и попречно сечење дрво или слични материјали до максимална длабочина од 58,5 mm. Производот може да врши прави или закосени засеци од 0 до 45 степени.

Производот е дизајниран за рачна употреба. Производот не треба да се монтира на работна маса. Не го користете производот за сечење метал или ѕидарски материјали.

Не го користете производот за друга намена.

⚠ ПРЕДУПРЕДУВАЊЕ! Прочитајте ги сите предупредувања за безбедност, упатства, илустрации и спецификации дадени со овој електричен алат.

Непочитувањето на сите упатствата наведени подолу, може да доведе до струен удар, пожар и/или сериозна повреда.

Зачувајте ги сите предупредувања и упатства за понатамошна употреба.

БЕЗБЕДНОСНИ ПРЕДУПРЕДУВАЊА ЗА ПИЛАТА СО ВОДИЛКА

Постапки за сечење

⚠ ОПАСНОСТ: Држете ги рацете подалеку од областа за сечење и сечилото. Држете ја другата рака на помошната рачка или на кукиштето на моторот. Ако пилата се држи со двете раце, тие не може да се исечат од сечилото.

Не допирајте под работното парче. Штитникот не може да ве заштити од сечилото под работното парче.



EN

DE

FR

IT

ES

PT

NL

DA

NO

SV

FI

EL

TR

CS

SK

PL

HU

SL

HR

LV

LT

ET

RU

BG

RO

MK

UK

AR

!

Прилагодете ја длабочината на сечење на дебелината на работното парче. Помалку од еден цел заб од забите на сечилото треба да биде видлив под работното парче.

Никогаш не држете го работното парче во вашите раце или преку вашата нога додека сечете. Осигурете го работното парче на стабилна платформа. Важно е да се придржи работата правилно за да се намали изложеноста на телото, зачувување на сечилото или губењето на контролата.

Држете го електричниот алат покрај изолирани површини при извршување на операција каде алатот за сечење може да дојде во контакт со скриени жици. Контакт со „гола“ жица може да предизвика металните делови од електричниот алат да станат „голи“ и операторот може да доживее струен удар.

При оштетување, секогаш користете рамка или штитник со прави рабови. Ова ја подобрува точноста на сечењето и ја намалува шансата од заглавување на сечилото.

Секогаш користете сечила со правилна големина и форма (дијамантски наспроти тркалезни) на дуликите на сечилото. Сечилата што не се совпаѓаат со хардверот за монтирање на пилата ќе работат надвор од центарот, што може да предизвикаат губење на контрола.

Никогаш не користете оштетени или неисправни подлошки или завртки за сечила. Подлошките и завртките за сечила се посебно дизајнирани за вашата пила заради оптимални перформанси и безбедност при работењето.

Причини за повратни удари и соодветни предупредувања

- повратниот удар е ненадејна реакција за стиснато, заглавено или неусогласено сечило на пилата, што предизвикува неконтролирана пила да се подигне или да излезе од работното парче кон операторот;
- кога сечилото е стиснато или цврсто заглавено со затворање на засекот, сечилото се заглавува и реакцијата на моторот го враќа уредот брзо назад кон операторот;
- ако сечилото се искриви или погрешно се израмни во сечењето, забите на задниот раб од сечилото можат да копаат во горната површина на дрвото што може да предизвика сечилото да излезе од засекот и да скокне назад кон операторот.

Повратниот удар е резултат на неправилна употреба на пилата и/или неправилни оперативни постапки или услови и може да се избегне со преземање соодветни мерки на претпазливост како што е наведено подолу.

Цврсто држете ја пилата со двете дланки и поставете ги рацете за да се спротивставете на силите на повратниот удар. Поставете го телото на двете страни на сечилото, а не во линија со сечилото. Повратниот удар може да предизвика пилата да скокне назазад, но операторот може да ги контролира силите на повратниот удар ако се преземат соодветни мерки на претпазливост.

Кога сечилото се заглавува или при прекинување на сечењето од која било причина, отпуштете го чкрпалото и држете ја пилата неподвижна во материјалот додека сечилото сосема не запре. Никогаш не бидувајте се да ја отстранете пилата од работата или да ја повлечете пилата назазад додека сечилото е во движење или може да дојде до повратен удар. Истражете и преземете корективни мерки за да ја отстранете причината за заглавување на сечилото.

Кога рестартираете пила во работното парче, центрирајте го сечилото во засекот така што забите на пилата да не бидат заглавени во материјалот. Ако се заглави сечилото, тоа може да оди нагоре или да се врати од работното парче додека пилата се рестартира.

Придржете големи панели за да го минимизирате ризикот од приклучување на сечилото и повратен удар. Големите панели имаат тенденција да попуштат под сопствената тежина. Потпорници мора да бидат ставени на двете страни под панелот, во близина на линијата за сечење или во близина на работ на панелот.

Не користете тали или оштетени сечила. Неизострени или неправилно поставени сечила создаваат тесен засек што предизвикува прекумерно триење, заглавување на сечилото и повратен удар.

Рачките за заклучување на прилагодување на длабочината на сечилото и наклонот мора да бидат цврсти и сигурни

пред да започнете со сечење. Ако прилагодувањето на сечилото се смени додека сечете, тоа може да предизвика заглавување и повратен удар.

Користете дополнителна претпазливост кога сечете со пилата во постојните ѕидови или други објекти. Испакнатото сечило може да сече предмети што можат да предизвикаат повратен удар.

Функционирање на штитникот

Проверете дали штитникот е правилно затворен пред секоја употреба. Не ракувајте со пилата ако штитникот не се движи слободно и веднаш затворете го сечилото. Никогаш не го стегајте и не го врзувајте штитникот така што сечилото ќе биде изложено. Ако пилата случајно падне, штитникот може да се свитка. Проверете дали штитникот се движи слободно и не го допирајте сечилото или кој било друг дел, при сите агли и длабочини на сечење.

Проверете ја работата и состојбата на повратната пружина на штитникот. Ако штитникот и пружината не работат правилно, тие мора да се сервисираат пред употреба. Штитникот може да функционира трома поради оштетени делови, наслани од гума или таложје на остатоци.

Уверете се дека основната плоча на пилата нема да се помести додека вршите „сечење со забивање“. Поместувањето на сечилото настрана ќе предизвика свиткување и веројатен повратен удар.

Секогаш внимавајте штитникот да го покрива сечилото пред да ја ставите пилата на масата или подот.

Незаштитено сечило ќе предизвика пилата да оди назазад, ќе сече што и да е на патот. Бидете свесни за времето потребно за запирање на сечилото откога ќе се пушти прекинувачот.

Функционирање на ножот за заглавување

Користете го соодветното сечило за пилата за ножот за заглавување. За да функционира ножот за заглавување, телото на сечилото мора да биде потенко од ножот за заглавување, а ширината на сечењето на сечилото мора да биде поголема од дебелината на ножот за заглавување.

Приспособете го ножот за заглавување како што е опишано во ова упатство. Неправилното растојание, позиционирање и порамнување може да го направат ножот за заглавување неефикасен во спречување повратен удар.

За да функционира ножот за заглавување, тој мора да биде во контакт со материјалот што се обработува. Ножот за заглавување е неефикасен во спречување повратен удар при кратки сечења.

Не ракувајте со пилата ако ножот за заглавување е свиткан. Дури и лесни пречки можат да ја забават брзината на затворање на штитникот.

ДОПОЛНИТЕЛНИ ИНСТРУКЦИИ ЗА БЕЗБЕДНОСТ И РАБОТЕЊЕ

Не користете никакви абразивни тркала

Осигурете се дека ножот за заглавување е наместен така што растојанието помеѓу ножот за заглавување и работ на сечилото не е поголемо од 5 mm, а работ на сечилото не се протега повеќе од 5 mm подалеку од најнискиот раб на ножот за заглавување.

Користете само дијаметар(и) на сечила во согласност со ознаките.

Идентификувајте го правилното сечило за пилата што треба да се користи за сечење на материјалот.

Користете само сечила за пила кои се означени со брзина еднаква или повисока од брзината означена на алатот.

Користете само сечила за пила препорачани од производителот кои се во согласност со EN 847-1, доколку се наменети за дрво и аналогни материјали.

Носете маска за прашина.

Прицврстете го работното парче со уред за прицврстување. Неприцврстените работни делови може да предизвикаат сериозна повреда и оштетување.

Валканите штитници за сечила може да го ограничат правилното функционирање на производот, што доведува

до сериозни лични повреди. Исклучете ги штитниците на сечилото со компримиран воздух за да се осигурате дека нема акумулација на прашина од пилата. Носете соодветна заштита за очи и дишење.

Проверете и уверете се дека штитникот на сечилото функционира како што треба. Следете ги чекорите подолу за да го проверите правилното функционирање на штитникот на сечилото.

- Осигурете се дека батеријата е отстранета од производот.
- Притиснете го копчето за заклучување.
- Фатете ја предната рачка и нанесете притисок надолу за да го спуштите и да го изложите сечилото.
- Полека оставете ја предната рачка да се крева се додека сечилото целосно не навлезе во штитникот.
- Проверете дали штитникот на сечилото целосно го покрива сечилото.
- Ако штитникот и пружината не работат правилно, тие мора да се сервисираат пред употреба.

Исклучете го производот веднаш ако застане. Не го вклучувајте производот повторно откако ќе закови. Повторно вклучување може да предизвика повратен удар со голема сила на реакција. Утврдете зошто производот заковил и поправете го, внимавајќи на упатствата за безбедност.

Отстранете ги батериите пред да почнете да вршите некаква работа на самиот производ.

ДОПОЛНИТЕЛНИ ПРЕДУПРЕДУВАЊА ЗА БЕЗБЕДНОСТ ЗА БАТЕРИЈАТА

⚠ ПРЕДУПРЕДУВАЊЕ! За да се намали ризикот од пожар, телесна повреда и оштетување на производот како резултат на краток спој, алатот, батеријата и полначот никогаш не го потопувајте во течност или не дозволувајте да навлезе течност во нив. Корозивни или проводни течности како што се морска вода, одредени индустриски хемикалии, белила или производи кои содржат белила итн. може да доведат до краток спој.

Не ги фрлајте потрошените батерии во домашниот отпад и не ги горете. Дистрибутерите на AEG нудат обновување на старите батерии со цел да ја заштитат нашата животна средина.

Батерии кои не се користени некое време, пред употреба треба да се наполнат.

За оптимална трајност, батериите треба целосно да се наполнат по употребата.

Чување на батеријата подолго од 30 дена:

- Чувајте ја батеријата на температура под 27 °C и подалеку од влага.
- Чувајте ја батеријата наполнета од 30% - 50%.
- По секои шест месеци складирање, наполнете ја батеријата како и обично.

Заштита на батеријата

Батеријата има заштита од преоптоварување што ја штити од преоптоварување и помага да се обезбеди долг век на траење.

При екстремно напрегање, електрониката на батеријата го исклучува производот автоматски. За повторно вклучување, исклучете го производот и повторно вклучете го. Доколку производот не се стартува повторно, батеријата може да се испразни целосно. Наполнете ја батеријата повторно.

Транспорт на литиумски батерии

Литиум-јонските батерии треба да ги исполнуваат условите пропишани во законот за опасни стоки.

Транспортот на тие батерии треба да се изврши во согласност со локалните, националните и меѓународните одредби и прописи.

- Батериите може да се транспортираат по друмски пат без дополнително барање.
- Комерцијалниот транспорт на литиум-јонските батерии од страна на трети лица подлежи на прописите за опасни стоки. Подготовката за транспорт и самиот транспорт треба да го вршат само соодветно обучени лица и процесот треба да биде следен од соодветни експерти.

При транспортот на батериите:

- Погрижете се контактните излези на батеријата да се заштитени и изолирани за да се избегне краток спој.
- Погрижете се батеријата да е стабилно спакувана за да не се поместува при транспортот.

- Не вршете транспорт на батериите доколку се дупнати или течат.
- Контакттирајте со шпедитерот за дополнителни совети

ЗАПОЗНАЈТЕ ГО ВАШИОТ ПРОИЗВОД

Видете страна 2-3.

1. Рачка за контрола на забивање
2. Заклучување на вретеното
3. Надворешен граничник на сечилото
4. Завртка на сечило
5. Приклучок за прашина
6. Клуч
7. Нож за заглавување
8. Сечило за пила
9. Стегач за водилката
10. Предна рачка, изолирана површина за фаќање
11. Копче за заклучување
12. Рачка, изолирана површина за фаќање
13. Прекинувач за вклучување
14. Пакет батерии
15. Копче за длабочина на сечењето
16. Бајпас лизгач со негативен 1°
17. Водилка
18. Копче за приспособување на водилката
19. Индикатор за наклон
20. Бајпас рачка за наклон од 45°
21. Копче за заклучување на наклонот
22. Завртка за подесување наклон од 0°
23. Завртка за паралелно поставување
24. Завртка за подесување наклон од 45°

ОДРЖУВАЊЕ

Избегнувајте употреба на растворувачи при чистење на пластични делови. Повеќе пластични подлежат на различни типови комерцијални растворувачи и може да се оштетат со нивната употреба. Користете чисти крпи за отстранување на нечистотија, јаглеродна прашина итн.

Користете само додатоци и резервни делови од AEG. Ако треба да се заменат компоненти кои не се опишани во упатството, контактирајте со некој од агентите за сервис на AEG (видете го списокот со адреси за гаранција/сервис).

Доколку ви е потребно, може да се порача расклопен приказ на алатот. Наведете го типот и серискиот број отпечатен на етикетата и нарачајте го цртежот кај вашиот локален агент за сервис или директно на: Techtronic Industries GmbH, Max-Eyth-Straße 10, 71364 Winnenden, Germany.

СИМБОЛИ

	Внимателно прочитајте ги инструкциите пред употреба на производот.
	Директна струја
	Носете заштитни средства за уши.
	Носете соодветна маска за заштита од прашина.
	Носете заштита за очите.
	Носете заштитни ракавици.
	Држете ги рацете подалеку од областа на сечење и остро сечило.





Не ги фрлајте отпадните батерии, отпадната електрична и електронска опрема како несортиран комунален отпад.

Отпадните батерии и отпадната електрична и електронска опрема мора да се собираат одделно.

Отпадните батерии, отпадните акумулатори и изворите на светлина треба да се отстранат од опремата.

Проверете кај вашиот локален орган или продавач за совет за рециклирање и место за собирање.

Според локалните прописи, трговците на мало може да имаат обврска бесплатно да ги враќаат отпадните батерии и отпадната електрична и електронска опрема.

Вашиот придонес за повторна употреба и рециклирање на отпадни батерии и отпадната електрична и електронска опрема помага да се намали побарувачката на сурови материјали.

Отпадните батерии, особено што содржат литиум и отпадната електрична и електронска опрема содржат вредни материјали што може да се рециклираат кои можат негативно да влијаат на животната средина и на здравјето на луѓето, доколку не се отстранат на еколошки соодветен начин.

Избришете ги личните податоци од отпадната опрема, доколку ги има.

дотом под напругоу також може передати напругу на металеві частини і користувач може бути ураженим електричним струмом

При подовжномо ризанні завжди користуйте напрямну пилку або косинець. При цьому підвищується точність ризання та знижується вірогідність заклинювання диску.

Завжди користуйте диски зі шпиндельними отворами правильного розміру та форми (ромбовидної/круглої). Ножи, які не відповідають кріпленню, можуть порушувати центронування пилки, наслідком чого може стати втрата контролю.

Забороняється користувати пошкоджені або непридатні шайби чи болти кріплення диску. Шайби та болт спеціально розроблено для цієї пилки, вони забезпечують оптимальну ефективність та надійність роботи.

Причини відскоку та відповідні попередження:

- віддача - це несподівана реакція на пильний, затиснутий або пошкоджений диск, що спричиняє неконтрольований підйом пилу від заготовок до оператора;
- коли лезо стискається або щільно защемлюється, закриваючи ручку, лезо блокується, а двигун швидко повертає пристрій до оператора;
- Якщо диск перекошується у розпилі, зубці на задній частині диску чіпляються за верхній край деталі, внаслідок чого диск виривається з розпилу та штовхає пилку в напрямку оператора.

Віддача є наслідком неправильного застосування електро інструменту та/або неправильних процедур або умов експлуатації і може бути уникнута застосуванням належних запобіжних заходів, як зазначено нижче.

Міцно тримайте пилку обома руками та розташуйтеся так, щоб бути готовим на випадок відскоку. Ставайте так, щоб ваше тіло знаходилося з одного чи іншого боку від диску, а не на лінії диску. Відскок примушує пилку рухатися назад, але його можна контролювати, якщо заздалегідь вжити належних заходів.

Якщо диск застряг або ж у разі переривання процесу розпилювання з будь-якої причини відпустіть курок і втримайте пилку до повної зупинки диску. Ніколи не витягайте диск з матеріалу і не рухайте пилку назад, коли диск обертається: це може призвести до відскоку. З'ясуйте, чому диск застряг, та усуньте причину.

При перезапуску пили з полотном у деталі відцентруйте матеріал так, щоб зубці полотна у пропилу не застрягли у матеріалі. Якщо диск заблокований, він може підніматися або відскакувати від заготовки, коли пила запускається знову.

При розпилювання панелей великого розміру задля уникнення заклинювання диску та відскоку забезпечте опори для панелей. Великі заготовки можуть прогинатися під власною вагою. Опори необхідно розмістити під панелями з обох боків поблизу до лінії розпилювання та біля краю панелей.

Не використовуйте тупі або пошкоджені диски. при використанні незагострених або неправильно встановлених дисків розпил буде занадто вузьким, що може призводити до надмірного тертя, заклинювання диску та відскоку.

Перед розпилюванням переконайтесь, що важелі регуляторів глибини та кута ризання надійно затягнуті. Якщо налаштування диску буде порушено під час розпилювання, це може призвести до заклинювання диску та відскоку.

Будьте обережними при розпилюванні стін та роботі в місцях з обмеженою видимістю. Виступаючий диск може зачепитися за перешкоди, що може призвести до відскоку.

Захисна функція

Перед кожним використанням перевірте фіксацію. Не використовуйте пилку, якщо захисний пристрій не рухається вільно і миттєво не закриває диск. Ніколи не фіксуйте і не з'єднуйте захисний кожух так, щоб лезо не було видно. У разі падіння пилки захисний пристрій може зігнутися. Переконайтеся, що захисний пристрій рухається вільно і не торкається диска чи будь-якої іншої частини виробу для будь-якого кута та глибини ризання.

Перевірте функціонування та стан захисної зворотної пружини. У разі порушення в роботі щитка чи пружини пилку слід доставити до сервісного центру для технічного

UK ПЕРЕКЛАД ОРИГІНАЛЬНИХ ІНСТРУКЦІЙ

ПЕРЕДБАЧУВАНУ ВИКОРИСТАННІ

Занурювальна пилка з напрямною призначена для поздовжнього й поперечного ризання деревини чи подібних матеріалів на максимальну глибину 58,5 мм. Виріб може робити прямі або скошені розрізи під кутом від 0 до 45 градусів.

Пристрій призначений для ручного використання. Виріб не монтується на робочій поверхні. Не використовуйте виріб для ризання металу або каменю.

Не використовуйте пристрій для будь-яких інших цілей.

⚠ ПОПЕРЕДЖЕННЯ! Прочитайте всі правила безпеки, інструкції, ліюстрації й специфікації, що постачаються з електроінструментом. Недотримання всіх зазначених інструкцій може призвести до ураження електричним струмом, пожежі та/або серйозних травм.

Збережіть усі попередження та інструкції для подальшого використання.

ПОПЕРЕДЖЕННЯ ЩОДО БЕЗПЕКИ ПІД ЧАС ЕКСПЛУАТУВАННЯ ЗАНУРЮВАЛЬНОЇ ПІЛКИ З НАПРЯМНОУ

Ризання

⚠ НЕБЕЗПЕКА: Тримайте руки подаль від зони ризання та диску. Тримайтеся другою рукою за допоміжну ручку або корпус мотора. Якщо тримати пилку обома руками, їх неможливо травмувати ріжучим диском.

Слідкуйте, щоб руки не потрапили під деталь, що оброблюється. Щиток не захистить вас від диску під деталлю.

Встановлюйте глибину ризання відповідно до товщини деталі. Під деталлю, що оброблюється, має бути видно неповний зубець диску.

Забороняється тримати заготовку в руках або на носі під час ризання. Закріпіть деталь, що оброблюється, на стійкій платформі. Важливо правильно організувати роботу, аби мінімізувати ризик нанесення травми, блокування диску або втрату контролю.

Під час виконання операції, в якій ріжучий інструмент може контактувати з прихованою проводкою, тримайте електроінструмент тільки за ізольовані поверхні. Контакт із

обслуговування. Захисний пристрій може працювати повільно через пошкодження деталей, залишки липких речовин або засмічення.

Переконайтеся, що основа пилки не зміщується під час «врізання». Лезо, що зміщується убік, може зачепитися і, швидше за все, повернеться назад.

Захисний пристрій завжди має закрити диск, перш ніж ви опустите пилку на стіл або підлогу. Якщо цього не зробити, при включенні інструменту пилка рухатиметься назад, розрізаючи все на шляху. Завважте, що після вимкнення необхідний певний час, щоб диск зупинився повністю.

У функції розпірного ножа

Використовуйте відповідне полотно в якості розпірного ножа. Щоб розпірний ніж функціонував правильно, корпус леза повинен бути тоншим ніж розпірний ніж, а ширина розрізу леза має перевищувати товщину розпірного ножа.

Відрегулюйте розпірний ніж у відповідності з інструкціями у цьому керівництві. Внаслідок неправильних зазорів, помилко положення або врівноваження знижується ефективність роботи пили та виникає вірогідність відскоку.

Розпірний ніж працює лише при контакт з матеріалом, який розрізається. Розклиновальний ніж не здатен запобігти віддачі під час короткочасного різання.

Не використовуйте пилку, якщо розклиновальний ніж згинуто. Навіть інтерференція світла може сповільнити швидкість закриття захисного кожуха.

ДОДАТКОВІ ЗАХОДИ БЕЗПЕКИ ТА ВКАЗІВКИ З ЕКСПЛУАТАЦІЇ

Не встановлюйте на пилку абразивні диски.

Переконайтеся, що розпірний ніж регулюється таким чином, щоб відстань між розпірним ножом та ободом леза не перевищувала 5 мм, а обід леза не виступав більше ніж на 5 мм за межі нижнього краю розпірного ножа.

Використовуйте діаметр леза відповідно до маркування.

Визначте правильний диск, який буде використовуватися для різання матеріалу.

Використовуйте лише полотна, призначені для швидкості, рівній або вищій за швидкість, позначену на інструменті.

Використовуйте лише диски, рекомендовані виробником, які відповідають EN 847-1, якщо вони призначені для деревини та аналогічних матеріалів.

Носіть ефективну маску від пилу.

Затисніть заготовку за допомогою затискного пристрою. Не затиснуті заготовки можуть спричинити серйозні травми та пошкодження.

Бруд на щитках ножа погіршує орієнтацію виробу, що може призвести до серйозного травмування. Очищуйте захисні щитки повітрям під тиском і слідкуйте, щоби на них не накопичувалася тирса. Надягайте засоби захисту очей та дихальних шляхів.

Перевірте і переконайтеся в правильності роботи захисного кожуха. Щоби перевірити роботу захисту полотна, виконайте наведені нижче дії.

- Переконайтеся, що акумуляторна батарея виїнята з інструменту.
- Натисніть кнопку вимкнення.
- Візьміться за передню ручку і натисніть вниз, щоб вивести диск у робоче положення.
- Повільно піднімайте передню ручку, аж доки диск не опиниться повністю в захисному кожусі.
- Переконайтеся, що кожух повністю закриває диск.
- У разі порушення в роботі щитка чи пружини пилку слід доставити до сервісного центру для технічного обслуговування.

Негайно вимкніть пристрій, якщо він загнув. Не вмикайте інструмент, якщо він застряг. У разі вмкнення можлива сильна віддача. Визначте, чому пристрій загнув, та усуньте причину, дотримуючись усіх заходів безпеки.

Вийміть батарею перед початком ремонту або технічного обслуговування приладу.

ДОДАТКОВІ ПОПЕРЕДЖЕННЯ З ТЕХНІКИ БЕЗПЕКИ ЩОДО ВИКОРИСТАННЯ АКУМУЛЯТОРІВ

⚠ ПОПЕРЕДЖЕННЯ! Для зменшення ризику загоряння, травмування та пошкодження пристрою у разі короткого замикання ніколи не занурюйте інструмент, акумуляторну батарею або зарядний пристрій у рідину та не допускайте потрапляння рідини всередину. Корозійні або електропровідні рідини, такі як морська вода, деякі промислові хімікати, вибілювачі або продукти, що містять вибілювачі, а також інші речовини, можуть стати причиною короткого замикання.

Не викидайте використані акумуляторні батареї разом з побутовими відходами та не спалюйте їх. AEG Distributors пропонує послугу забирання старих акумуляторів, щоби захистити довкілля.

Якщо акумулятори не використовувалися впродовж певного часу, їх слід підзарядити перед експлуатацією.

Щоб подовжити термін служби акумуляторів, повністю заряджайте їх після використання.

Під час зберігання акумуляторної батареї більш ніж 30 днів:

- Зберігайте акумулятор при температурі нижче 27 °C якомога далі від вологих приміщень.
- Зберігайте акумулятори у "зарядженому" стані з рівнем заряду 30%-50%.
- Під час зберігання акумулятора порібно раз на пів року заряджати його у звичному режимі.

Захист акумулятора

Акумулятор має захист від перевантаження, що захищає його від перевантаження та допомагає забезпечити тривалий термін служби.

Під час великого перевантаження акумулятор вимикається. Для перезапуску вимкніть пристрій та увімкните знову. Якщо пристрій знову не запускається, акумулятор може повністю розрядитися. Зарядіть акумулятор.

Перевезення літєвих батарей

Літій-іонні акумулятори підпадають під дію закону про поводження з небезпечними продуктами.

Транспортування цих акумуляторів має здійснюватися згідно з місцевими, національними та міжнародними директивами та правилами.

- Акумулятори можна транспортувати автомобільним транспортом без додаткових вимог.
- Комерційне перевезення літій-іонних акумуляторів відбувається з дотриманням правил перевезення небезпечних вантажів. Підготовка до транспортування та транспортування має виконуватись виключно належним чином підготовленим персоналом та здійснюватись під наглядом відповідних експертів.

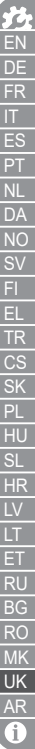
При перевезенні акумуляторів:

- Переконайтеся, що контакти з'єднання захищені та ізольовані, щоб запобігти короткому замиканню.
- Переконайтеся, що акумулятор надійно закріплений в упакуванні.
- Не перевозити батареї, які мають тріщини або протечки.
- Консультуйтеся з експедиторською компанією для подальших консультацій.

ОЗНАЙОМТЕСЯ З ВИРОБОМ

Див. стор. 2-3.

1. Важіль для регулювання врізання
2. Фіксатор шпинделя
3. Зовнішня шайба диска
4. Гвинт полотна
5. Отвір для відведення пилу
6. Гайковий ключ
7. Розпірний ніж
8. Різальний диск
9. Траковий затискач
10. Передня ручка, ізольована поверхня для утримання
11. Кнопка блокування



12. Ручка, ізольована поверхня для утримання
13. Ручка-вимикач
14. Акумуляторна батарея
15. Кнопка налаштування глибини різання
16. Повзунок обходу обмеження до -1°
17. Трак
18. Регулятор напрямної
19. Індикатор кута
20. Важіль обходу обмеження скосу 45°
21. Колесо фіксації кута
22. Регулювальний гвинт для скосу 0°
23. Паралельний регулювальний гвинт
24. Регулювальний гвинт для скосу 45°

ТЕХНІЧНЕ ОБСЛУГОВУВАННЯ

При чищенні деталей з пластику не використовуйте розчинники. Більшість пластмас не є стійкими до дії комерційних розчинників і можуть бути пошкоджені. Використовуйте чисту ганчірку з тканини для видалення бруду, вуглецевого пилу, тощо.

Використовуйте лише аксесуари та запасні частини виробництва AEG. У разі потреби у заміні компонентів, не описаних в інструкції, звертайтеся до сервісних центрів та агентів AEG (див. список наших гарантійних та сервісних центрів з адресами).

За потреби можна замовити зображення пристрою у розібраному вигляді. Вкажіть тип товару та серійний номер, надруковані на етикетці, і замовляйте креслення у місцевому сервісному представництві або безпосередньо за адресою: Technronic Industries GmbH, Max-Eyth-Straße 10, 71364 Winnenden, Germany.

СИМВОЛИ



Перед використанням пристрою уважно прочитайте ці інструкції.



Постійний струм



Носіть захисні навушники.



Одягніть відповідну захисну маску для захисту від пилу.



Надягайте засоби захисту очей.



Надягайте захисні рукавиці.



Тримайте руки на відстані від зони різання та леза.



Не викидайте старі акумулятори, старе електричне та електронне устаткування разом із несорттованим побутовим сміттям.

Старі акумулятори, старе електричне та електронне устаткування збираються окремо.

З устаткування необхідно зняти старі батареї, акумулятори та джерела світла.

За інформацією стосовно утилізації або місць збору звертайтеся до місцевої влади або дилера.

Місцеве законодавство може вимагати безкоштовного повернення старих акумуляторів, електричного та електронного устаткування.

Ваш внесок до справи повторного використання та переробки старих акумуляторів, електричного та електронного устаткування зменшує потребу у сировині.

В акумуляторах, особливо літєвих, і старому електричному та електронному устаткуванні містяться цінні матеріали, які можуть перероблятися, і якщо утилізація такого устаткування проводиться у неекологічний спосіб, це негативно впливає на навколишнє середовище та людське здоров'я.

Видаліть персональні дані з устаткування, яке передається на переробку.



EN
DE
FR
IT
ES
PT
NL
DA
NO
SV
FI
EL
TR
CS
SK
PL
HU
SL
HR
LV
LT
ET
RU
BG
RO
MK
UK
AR



تقوم الأجزاء الإلكترونية للبطارية - عند تعرضها للضغط الشديد- بإيقاف تشغيل المنتج تلقائياً. لإعادة التشغيل، أوقف تشغيل المنتج ثم أعد تشغيله من جديد. إذا لم يبدأ تشغيل المنتج مرة أخرى، فربما تكون مجموعة البطارية فارغة تماماً. يجب إعادة شحن حزمة البطارية

نقل بطاريات الليثيوم

تخضع بطاريات Lithium-ion لمتطلبات تشريع البضائع الخطرة. يجب نقل هذه البطاريات وفقاً للقوانين والأنظمة المحلية والوطنية والدولية.

- يمكن نقل البطاريات بزاوية من متطلبات إضافية.
- يخضع النقل التجاري للبطاريات أيون الليثيوم للوائح البضائع الخطرة. يجب أن يتم إعداد النقل وتنفيذه بواسطة أشخاص مدربين تدريباً مناسباً وأن يصبح تنفيذ العملية خيراً منظارين.

عند نقل البطاريات:

- تأكد من أن نهايات توصيل البطارية محمية ومعزولة لمنع حدوث دائرة قصر.
- تأكد من أن حزمة البطارية مؤمنة ضد التحرك داخل عبوة التغليف.
- لا تنقل البطاريات المكسورة أو التي حدث بها تسريب.
- راجع الأمر مع شركة الشحن لمزيد من المشورة.

تعرف على المنتج

انظر صفحة 2-3.

1. مفتاح التحكم بالعمق
2. قفل عمود الدوران
3. أداة تنظيف الشفرة الخارجية
4. برغي النصل
5. مخرج الغبار
6. مفتاح ربط
7. سكين الفلق
8. نصل المنتشر
9. مشبك المسار
10. مقبض أمامي بسطح معزول
11. زر إلغاء القفل
12. مقبض بسطح معزول
13. مفتاح التشغيل
14. حزمة البطارية
15. زر تحديد عمق القطع
16. مزلاج تجاوز حد الزاوية بلوغ درجة سلبية واحدة
17. المسار
18. مقبض ضبط المسار
19. مؤشر الميل
20. ذراع تجاوز حد الزاوية لتخطي 45 درجة
21. مقبض قفل الميل
22. مسمار معايرة زاوية القطع المائل التي تبلغ 0 درجة
23. مسمار المعايرة الموازي
24. مسمار معايرة زاوية القطع المائل التي تبلغ 45 درجة

الصيانة

تجنب استخدام أي مذيبات عند تنظيف الأجزاء البلاستيكية. تتعرض معظم الأجزاء البلاستيكية لأنواع مختلفة من المذيبات التجارية وقد تتضرر جراء استخدامها. استخدم قطعة قماش نظيفة لإزالة الأوساخ وغيبار الكربون وما نحو ذلك.

استخدام فقط ملحقات وقطع غيار AEG. إذا اقتضت الحاجة تغيير بعض المكونات التي لم يرد وصفها، يرجى الاتصال بأحد وكلاء خدمة AEG لدينا (راجع قائمتنا الخاصة بعاوين الضمان/الخدمة).

إذا اقتضت الحاجة، يمكن طلب الحصول على عرض مفصل للمنتج. حدد نوع المنتج والرقم التسلسلي المطبوع على الملصق، واطلب الرسم من وكيل الخدمة المحلي أو مباشرة في: Techtronic Industries GmbH, Max-Eyth-Straße 10, 71364 Winnenden, Germany.

الرموز

اقرأ التعليمات بعناية قبل بدء تشغيل المنتج.



تيار مباشر



ارتد واقيات الأذن.



يجب ارتداء قناع حماية مناسب ضد الغبار.



يجب ارتداء واقي للعين.



يجب ارتداء قفازات.



يجب إبقاء اليدين بعيداً عن منطقة القطع والنصل الحاد.



يجب عدم التخلص من نفايات البطاريات أو نفايات المعدات الكهربائية والإلكترونية على أنها نفايات بلدية بلا فرز.

يجب جمع نفايات البطاريات والمعدات الكهربائية والإلكترونية وفرزها بشكل منفصل.



يجب عزل نفايات البطاريات ومراكم النفايات ومصادر الضوء وفصلها عن المعدات.

استشر المسؤول أو بائع التجزئة المحلي للحصول على نصائح حول إعادة التدوير ونقطة التجميع.

وفقاً للوائح المحلية، قد يلزم تجار التجزئة باسترداد نفايات البطاريات ونفايات المعدات الكهربائية والإلكترونية مجاناً.

تساعد مساهمتك في إعادة استخدام وتدوير نفايات البطاريات ونفايات المعدات الكهربائية والإلكترونية على تقليل الطلب على المواد الخام.

تحتوي نفايات البطاريات -ولا سيما التي تحتوي على الليثيوم- ونفايات المعدات الكهربائية والإلكترونية على مواد ذات قيمة مرتفعة وقابلة لإعادة التدوير وقد تؤثر سلباً على البيئة وصحة الإنسان إذا لم يتم التخلص منها بطريقة متوافقة مع النظم البيئية.

يجب حذف البيانات الشخصية من نفايات المعدات، إن وُجدت.

شروط استخدام محددة

تضمنت غيمة المنشار ذو المسار في القطع باتجاه الألياف والقطع المستعرض للخشب أو أي مواد مشابهة حتى عمق 58,5 مم كحد أقصى. ويمكن لهذا المنتج القطع بشكل مستقيم أو مائل بزاوية تتراوح بين 0 و 45 درجة.

ضمم المنتج لاستخدام محمول باليد. لا يمكن تركيب المنتج على منصة العمل. لا تستخدم المنتج لقطع المعادن أو مواد البناء.

لا تستخدم المنتج لأي غرض آخر.

⚠ تحذير! اقرأ جميع تحذيرات السلامة والتعليمات والرسوم التوضيحية والمواصفات المتوفرة مع هذه الأداة الكهربائية. قد يؤدي عدم اتباع جميع الإرشادات المذكورة أعلاه إلى حدوث صدمة كهربائية و/أو حرق و/أو إصابة خطيرة.

احتفظ بجميع التحذيرات والتعليمات للرجوع إليها مستقبلاً.

تحذيرات السلامة المتعلقة بالمنشار ذي المسار

إجراءات عمليات القطع

⚠ خطر: ابدأ يدك عن منطقة القطع والشفرة. وضع اليد الثانية على مقبض المساعدة، أو غطاء المحرك، إذا كانت كلتا اليدين مستكمتين بالمنشار، فلا يمكن قطعهما بواسطة الشفرة.

لا تلامس المنطقة أسفل قطعة العمل، حيث إن الوافي لا يمكنه حمايتك من الشفرة أسفل قطعة العمل.

اضبط عمق القطع بما يتناسب مع سمك قطعة العمل، يجب رؤية ما يقل عن حجم سن الشفرة الكامل أسفل قطعة العمل.

لا تمسك نهائياً بقطع العمل بيدك أو من خلال قديمك أثناء القطع. احرص على وضع قطعة العمل على مكان ثابت، من الضروري دعم العمل بشكل صحيح لتقليل تعرض الجسم للخطر أو التعلق في الشفرة أو فقدان التحكم.

امسك أداة الإمداد بالكهرباء عن طريق أسطح إمساك موزولة، عند تنفيذ إحدى العمليات حيث قد تلامس أداة الإمداد الأسلاك الخلفية، كما يجعل ملامسة السلك «مكهرب» لأجزاء معدنية مكشوفة من أداة إمداد الكهرباء «مكهربة» ويمكن أن يتسبب في صدمة كهربائية للمستخدم. في حال الاستخدام لقطع شق، استخدم دائماً مسابغا للثقق أو موجهاً بحافة مستقيمة. حيث سيسخن ذلك من فحة القطع ويقلل من فرصة التعلق في الشفرة.

استخدم دائماً الشفارت مع الحجم والشكل الصحيح (الماسة) في مقابل الدوران (من ثقب أوبرو، في حال عدم توافق الشفرة مع أدوات التعلق للمنشار فيسمعل خارج المركز، مما يتسبب في فقدان السيطرة.

لا تستخدم أبداً جلب أو برغي الشفارت التالفة. حيث ضمنت جلب أو برغي الشفارت خصيصاً لمشاركتك، للحصول على الأداء الأمثل وسلامة التشغيل.

أسباب الارتداد والتحذيرات ذات الصلة

يحدث الارتداد كرد فعل مفاجئ لشفرة منشار ملتوية أو محضرة أو منحرفة، مما يتسبب في عدم السيطرة على المنشار حيث يتحرك لأعلى وخارج قطعة العمل تجاه المشغل؛

في حال التواء الشفرة أو حشرها بإحكام عند الشق لتعلق لأسفل، تتعطل

الشفرة ويؤدي رد فعل المحرك إلى ارتداد الوحدة بسرعة نحو المشغل؛

إذا أصبحت الشفرة ملتوية أو منحرفة في القطع، يمكن للأسنان عند الحافة

الخلفية للشفرة الحفر في السطح العلوي للخشب مما يتسبب في خروج الشفرة من الشق

والارتداد نحو المشغل.

يحدث الارتداد نتيجة سوء استخدام المنشار و/أو إجراءات أو ظروف التشغيل غير الصحيحة والتي يمكن تجنبها عن طريق اتخاذ الاحتياطات المناسبة على النحو المبين أدناه.

امسك المقبض قبلي بكتنا اليدين على المنشار ووضع ذراعك لمقاومة قوة الارتداد. وضع الجسم على جوانب الشفرة، ولكن ليس بمحاذاة الشفرة. يمكن أن يتسبب الارتداد في قفز المنشار إلى الوراء، ولكن يمكن السيطرة على قوة الارتداد من قبل المشغل، إذا اتخذت الاحتياطات المناسبة.

عندما تكون الشفرة عاركة، أو عند توقف القطع لأي سبب من الأسباب، حرر الزناد وثبت المنشار مع المادة حتى تتوقف الشفرة بشكل كامل. لا تحاول أبداً إزالة المنشار من العمل أو مسح المنشار إلى الوراء أثناء حركة الشفرة أو حدوث ارتداد. تحقق من الأمر وخذ الإجراءات التصحيحية للفضاء على سبب تعليق الشفرة.

بعد إعادة تشغيل المنشار في قطعة العمل، ثبت شفرة المنشار في الوسط في الشق بحيث لا تتشابك أسنان المنشار في المادة. في حال تعلق شفرة المنشار فقد ترتفع أو ترتد عن قطعة العمل أثناء إعادة تشغيل المنشار.

ادعم اللوحات الكبيرة للحد من خطر ميل الشفرة وارتدادها. تميل اللوحات الكبيرة إلى الانحناء بسبب ثقل وزنها. إذا يجب وضع الدعائم تحت اللوحة على كلا الجانبين، بالقرب من خط القطع وبالبزوم من حافة اللوحة.

لا تستخدم شفارت غير حادة أو تالفة. تؤدي الشفارت غير الحادة أو غير المهجنة بطريقة مناسبة إلى ضيق الشق مما يسبب احتكاكاً مفرطاً وتعلق الشفرة والارتداد.

يجب أن يكون عمق الشفرة ودعامات قفل تعديل الزاوية محكمين وأمينين قبل إجراء عملية القطع. إذا تغير وضع الشفرة أثناء القطع، فقد يسبب ذلك التعلق أو الارتداد.

اتخذ المزيد من الحذر عند النشر في الجدران القائمة أو المناطق غير الواضحة الأخرى. قد تقع الشفرة البارزة الأشياء التي يمكن أن تسبب الارتداد.

وظيفة الوافي

تحقق من إغلاق الوافي بشكل ملائم قبل كل استخدام. لا تشغل المنشار إذا لم يكن الوافي يتحرك بحرية ويغطي الشفرة فوراً. لا تشبك الوافي أو تربطه أبداً بشكل يخفي الشفرة. قد

يتسبب وقوع المنشار عن غير عمد في ثني الوافي. تحقق للتأكد من أن الوافي يتحرك بحرية ويمنع أنه لا يلامس الشفرة أو أي جزء آخر من زوايا القطع وأصعقه.

تحقق من عمل زنبرك رجوع الوافي وحالته. إذا كان الوافي والزنبرك لا يعملان بشكل صحيح، يجب صيانتهم أو استبدالهم. قد يكون أداء الوافي ضعيفاً في حال وجود أجزاء تالفة أو رواسب صلبة أو تراكم الحطام.

تأكد من أن لوح القاعدة في المنشار لن يتحرك في أثناء تآدية إجراء «قطع عميق»، سيستسبب تحرك الشفرة بشكل جانبي بالتعلق على الأغلب بالارتداد.

راجع الوافي دائماً للتأكد من أنه يطبق الشفرة قبل وضع المنشار على مقعد أو على الأرض. تتسبب الشفرة غير المحمية المنزلة في ارتداد المنشار إلى الوراء، وقطع كل ما هو في طريقه. كن على علم بالوقت الذي تستغرقه الشفرة للتوقف بعد تحرير المقفاح.

وظيفة سكن الفلق

استخدم شفرة المنشار الملائمة لسكن الفلق. لتعمل سكن الفلق، يجب أن يكون هيكل الشفرة أرفع من سكن الفلق وعرض القطع للشفرة أعرض من سمك سكن الفلق.

اضبط سكن الفلق كما هو موصوف في دليل التعليمات هذا. ستؤدي مبادعة سكن الفلق بمسافة غير صحيحة أو وضعها أو محادتها بشكل خاطئ إلى إبطال فعاليتها في تجنب حدوث الارتدادات.

لتعمل سكن الفلق، يجب تعويضها في قطعة التشغيل. لا تتفع سكن الفلق في منع الارتداد في أثناء عمليات القطع القصيرة.

لا تشغل المنشار إذا كانت سكن الفلق مثبته. قد يبطئ التداخل، حتى لو كان خفيفاً، من معدل إغلاق الوافي.

تعليمات إضافية للسلامة والتشغيل

لا تستخدم أي عجلات جلب

تأكد من ضبط سكن الفلق بحيث لا تتعدى المسافة التي تفصل بين سكن الفلق وطرف الشفرة 5 مم، وتأكد من ألا يمتد طرف الشفرة أكثر من 5 مم بعد الأذى طرف من سكن الفلق.

استخدم قفل (أقفل) المنشار فقط وفقاً للعلامات.

حدد شفرة المنشار المناسبة لاستخدامها في قطع المادة.

استخدم فقط شفارت المنشار التي تم وضع علامة عليها بسرعة تعادل السرعة التي وضع علامة لها على الأداة أو أعلى منها.

استخدم فقط شفارت المنشار الموصى بها من الشركة المصنعة، والتي تتوافق مع معايير EN 1-847، إذا كانت مخصصة للخشب والمواد المماثلة.

ارتد قناع العيون

تثبت قطعة العمل بأداة تثبيت. يمكن أن تتسبب قطع العمل غير المثبته في وقوع إصابات خطيرة وتلفيات.

قد تحدث وإقيات الشفارت المتسخة من التشغيل السليم للمنتج، مما يؤدي إلى حدوث إصابة جسدية خطيرة. نظف وإقيات الشفرة بالهواء المضغوط لضمان عدم تراكم غبار المتقار. ارتد وافي مناسب للعين والجهاز التنفسي.

تحقق من وافي الشفرة وتأكد من أنه يعمل كما يجب. اتبع الخطوات أدناه للتحقق من أن وافي الشفرة يعمل كما يجب.

تأكد من إزالة البطارية من المنتج.

اضغط على زر قفل التشغيل.

امسك المقبض الأمامي واضغط إلى الأسفل لإزالة الشفرة وكشفها.

اترك المقبض الأمامي يرتفع ببطء حتى تصير الشفرة داخل الوافي بالكامل.

تأكد من تعطية وافي الشفرة للتحقق بالكامل.

إذا كان الوافي والزنبرك لا يعملان بشكل صحيح، يجب صيانتهم قبل الاستخدام.

يجب إطفاء المنتج فور تعمله عن العمل. يجب عدم تشغيل المنتج مرة أخرى بعد تعمله. قد يتسبب تشغيله مرة أخرى في حدوث ارتداد بقوة عالية. يجب تحديد سبب تعطل المنتج وإصلاح ذلك، مع مراعاة تعليمات السلامة.

قم بإزالة حزمة البطارية قبل البدء في أي عمل على المنتج.

تحذيرات إضافية للسلامة خاصة بالبطاريات

⚠ تحذير! لتقليل مخاطر التعرض للحرائق والإصابات الشخصية وتلف المنتج بسبب دائرة القصر، لا تقم أبداً بغمز الأداة أو حزمة البطارية على الشخصين أو سائل أو ترك أي سائل يتدفق إلى داخلها. تجنب المسبة للتآكل أو الموصولة مثل مياه البحر وبعض المواد الكيميائية الصناعية ومنتجات التبييض أو المنتجات التي تحتوي على مبيضات وما إلى ذلك - قد تتسبب في حدوث دائرة قصر كهربائية.

لا تتخلص من حزم البطاريات المستخدمة بإلقائها ضمن مُمامة المنزل أو حرقها. يقدم موزع شركة AEG عرضاً لاستعادة البطاريات القديمة من أجل حماية بيئتنا.

يجب إعادة شحن حزمة البطارية التي لم تستخدم لبعض الوقت قبل الاستخدام.

يجب شحن حزمة البطارية بالكامل بعد استخدامها لإطالة عمرها الافتراضي.

لتخزين حزمة البطارية لفترة أطول من 30 يوماً:

• يجب تخزين حزمة البطارية في مكان بدرجة حرارة أقل من 27 مئوية وبعيداً عن الرطوبة.

• يجب تخزين حزمة البطارية في مشحونة بنسبة 30% - 50%.

• اشحن حزمة البطارية كالمعتاد بعد كل ستة أشهر من التخزين.

حماية حزمة البطارية

تحتوي حزمة البطارية على حماية ضد الحمل الزائد والتي تحميها من التحويل الزائد وتساعد على ضمان عمر بطارية.

EN
DE
FR
IT
ES
PT
NL
DA
NO
SV
FI
EL
TR
CS
SK
PL
HU
SL
HR
LV
LT
ET
RU
BG
RO
MK
UK
AR
i

English	Deutsch	Français	Italiano	Español
Technical data	Technische Daten	Données techniques	Dati tecnici	Datos técnicos
No-load speed	Leerlaufdrehzahl	Vitesse à vide	Velocità senza carico	Velocidad sin carga
Saw blade diameter x hole diameter	Sägeblattdurchmesser x Lochdurchmesser	Diamètre de la lame de scie x diamètre du trou	Diametro lama della sega x diametro foro	Diámetro de la cuchilla de la sierra x diámetro del orificio
Saw blade thickness / tooth thickness	Stärke des Sägeblatts / Stärke des Zahns	Épaisseur de la lame de la scie / épaisseur de la dent	Spessore lama sega / spessore dente	Grosor de la hoja de sierra / grosor de los dientes
Blade teeth	Sägezähne	Nombre de dents	Denti lame	Dientes de la hoja
Max. cutting depth at 0° / 45°	Max. Schnitttiefe bei 0°/45°	Profondeur max. de coupe à 0° / 45°	Profondità di taglio max. a 0°/45°	Profundidad de corte máx. a 0° / 45°
With track	Mit Schiene	Avec guide	Con binario	Con guía
Without track	Ohne Schiene	Sans guide	Senza binario	Sin guía
Battery voltage	Akkuspannung	Tension de batterie	Tensione batteria	Tensión de la batería
Weight without battery pack	Gewicht ohne Akkupack	Poids sans bloc-batterie	Peso senza pacco batteria	Peso sin batería
Weight according to EPTA-Procedure 01/2014 (2.0 Ah ... 9.0 Ah)	Gewicht gemäß EPTA-Verfahren 01/2014 (2,0 Ah ... 9,0 Ah)	Poids selon la procédure EPTA 01/2014 (2,0 Ah ... 9,0 Ah)	Peso in base alla procedura EPTA 01/2014 (2,0 Ah ... 9,0 Ah)	Peso conforme al procedimiento EPTA 01/2014 (2,0 Ah ... 9,0 Ah)
Recommended ambient operating temperature	Empfohlene Umgebungstemperatur während des Betriebs	Température ambiante de fonctionnement recommandée	Temperatura ambiente consigliata per il funzionamento	Temperatura ambiente recomendada para el funcionamiento
Recommended battery types	Empfohlener Akkutyp	Type de batterie conseillé	Tipo di batteria consigliato	Tipo de batería recomendado
Recommended chargers	Empfohlene Ladegeräte	Chargeurs recommandés	Caricabatterie consigliati	Cargadores recomendados
Noise Information	Geräuschinformationen	Informations sur le bruit	Informazioni su rumori	Información sobre ruido
Measured values determined according to EN 62841. Typically, the A-weighted noise levels of the tool are:	Messwerte ermittelt gemäß EN 62841. Die typischen A-bewerteten Geräuschpegel des Werkzeugs sind:	Valeurs mesurées déterminées selon la norme EN 62841. En standard, les niveaux sonores pondérés A de l'outil sont :	I valori misurati sono determinati secondo EN 62841. Tipicamente i livelli di rumorosità con pesatura A dell'utensile sono:	Los valores evaluados se determinan conforme a la norma EN 62841. Habitualmente, los niveles de ruidos ponderados A de la herramienta son:
Sound pressure level / Uncertainty	Schalldruckpegel / Unsicherheit	Niveau de pression acoustique / Incertitude	Livello di pressione sonora / Incertezza	Nivel de presión acústica / Incertidumbre
Sound power level / Uncertainty	Schallleistungspegel / Unsicherheit	Niveau de puissance acoustique / Incertitude	Livello di potenza sonora / Incertezza	Nivel de potencia acústica / Incertidumbre
Wear ear protection!	Tragen Sie einen Gehörschutz!	Porter une protection auditive	Indossare la protezione per orecchie!	¡Utilice protecciones auditivas!
Vibration Information	Schwingungsinformationen	Informations sur les vibrations	Informazioni su vibrazioni	Información sobre vibraciones
Vibration total values (triaxial vector sum) determined according to EN 62841.	Die Gesamtvibrationswerte (triaxiale Vektorsumme) ermittelt gemäß EN 62841:	Valeur totale de vibration (somme vectorielle à trois axes) déterminée en fonction de la norme EN 62841.	Valori totali di vibrazione (somma del vettore triassiale) determinati in base a EN 62841:	Valores totales de vibración (suma de vectores triaxiales) se determinan conforme a la norma EN 62841.
Cutting wood / Uncertainty	Schneiden von Holz/Unsicherheit	Coupe du bois / Incertitude	Taglio del legno / Variabile	Corte de madera / incertidumbre

Português	Nederlands	Dansk	Norsk	Svenska
-----------	------------	-------	-------	---------

Dados técnicos	Technische gegevens	Tekniske data	Tekniske data	Tekniska uppgifter
----------------	---------------------	---------------	---------------	--------------------

Velocidade sem carga	Onbelast toerental	Hastighed uden belastning	Hastighet uten belastning	Hastighet utan belastning	5000 min ⁻¹
Diâmetro da lâmina de serra x diâmetro do officio	Diameter zaagblad x diameter gat	Savklingens diameter x hul diameter	Diameter for sagblad x diameter for hull	Sågklingediameter x håldiameter	165 x 20 mm
Espeçura da lâmina/ espeçura dos dentes	Zaagbladdikte / tanddikte	Savklingens tykkelse/ tandtykkelse	Sagbladykkelse / tanntykkelse	Sågbladets tjocklek / tändernas tjocklek	1,3 / 2,0 mm
Dentes da lâmina	Zaagblattanden	Klingetænder	Bladtenner	Sågtand	40T
Profundidade máx. de corte a 0°/45°	Max. snediedpte bij 0° / 45°	Maks. skæredybde ved 0°/45°	Maks. sagdybde ved 0°/45°	Maximalt kapdjup vid 0°/45°	
Com calha	Met spoor	Med spor	Med skinne	Med spår	54,0 / 38,1 mm
Sem calha	Zonder spoor	Uden spor	Uten skinne	Utan spår	58,5 / 42,5 mm
Voltagem da bateria	Accuspanning	Batterisprænding	Batterispenning	Batterispanning	18 V
Peso sem a bateria	Gewicht zonder accu	Vægt uden batteripakke	Vekt uten batteripakke	Vikt utan batteripaket	4,0 kg
Peso de acordo com o procedimento EPTA 01/2014 (2,0 Ah ... 9,0 Ah)	Gewicht volgens EPTA-procedure 01/2014 (2,0 Ah ... 9,0 Ah)	Vægt i henhold til EPTA-procedure 01/2014 (2,0 Ah ... 9,0 Ah)	Vekt i henhold til EPTA-prosedýren 01/2014 (2,0 Ah ... 9,0 Ah)	Vikt enligt EPTA 01/2014 (2,0 Ah ... 9,0 Ah)	4,4 ... 5,2 kg
Temperatura de funcionamento ambiente recomendada	Aanbevolen omgevingstemperatuur tijdens gebruik	Anbefalet omgivende arbejdstemperatur	Anbefalt omgivelsestemperatur ved drift	Rekommenderad omgivningstemperatur vid drift	-18...+50 °C
Tipo de bateria recomendada	Aanbevolen accutype	Anbefalet batteritype	Anbefalt batteritype	Rekommenderad batterityp	L18...
Carregadores recomendados	Aanbevolen laders	Anbefalede opladere	Anbefalte ladere	Rekommenderade laddare	AL18G, BL1...
Informação sobre ruído	Informatie over geluidshinder	Information om støj	Informasjon om støy	Ljuduppgifter	
Valores medidos determinados de acordo com a norma EN 62841. Em geral, os níveis de ruído do produtos ponderados a A são:	Gemeten geluidswaarden bepaald conform EN 62841. De A-gewogen geluidsniveaus van het gereedschap zijn normaliter:	Målte værdier i henhold til EN 62841: Typisk er de A-vægtede støjniveauer for værktøjet:	Målte verdier bestemt i henhold til EN 62841. De A-klassifiserte støynivåene til verktøyet er vanligvis:	Uppmätta värden fastställda enligt EN 62841. De typiska A-viktade ljudnivåerna för verktyget är:	
Nível de pressão sonora/ Incerteza	Geluidsdrukniveau/ onzekerheid	Lydtrykksniveau/Usikkerhed	Lydtrykknivå / Usikkerhet	Ljudtrycksnivå / Osäkerhet	L _{PA} = 92 dB(A) / K = 3 dB(A)
Nível de potência sonora/ Incerteza	Geluidsvermogensniveau/ onzekerheid Tolerantie	Lydeffektniveau/Usikkerhed	Lydeffektnivå / Usikkerhet	Ljudeffektsnivå / Osäkerhet	L _{WA} = 100 dB(A) / K = 3 dB(A)
Use proteção auditiva!	Draag gehoorbescherming!	Brug høreværn!	Bruk hørselvern!	Använd hörselskydd!	
Informações sobre vibração	Gegevens geluid/trilling	Information om vibration	Informasjon om vibrasjon	Vibrationsuppgifter	
Os valores totais de vibração (soma de vetores triaxiais) determinados de acordo com a norma EN 62841.	Trillingstotaalwaarden (triaxiële vectorsom) bepaald volgens EN 62841.	De samlede vibrationsværdier (triaksial vektorsum) i henhold til EN 62841:	Totale vibrasjonsverdier (triaksial vektorsum) bestemt i henhold til EN 62841:	Totala värden för vibration (triaxiell vektorsumma) fastställda enligt EN 62841.	
Corte de madeira/incerteza	Hout zagen / Onzekerheid	Skæring af træ/usikkerhed	Saging av treverk / usikkerhet	Kapning av trä/ osäkerhet	a _{0,B} = 1,7 m/s ² K = 1,5 m/s ²



Suomi	Ελληνικά	Türkçe	Čeština	Slovenčina
Tekniset tiedot	Τεχνικά στοιχεία	Teknik veriler	Technické údaje	Technické údaje
Kuorittamaton nopeus	Ταχύτητα χωρίς φορτίο	Yüksüz hız	Otáčky bez zatížení	Rýchlosť naprázdno
Sahanterän halkaisija x reiän halkaisija	Διάμετρος δίσκου πριονιού x διάμετρος οπής	Testere bıçağı çapı x delik çapı	Průměr pilového listu x průměr otvoru	Priemer pilového kotúča x priemer otvoru
Sahanterän paksuus / hampaan paksuus	Πάχος λεπίδας πριονιού / πάχος δοντιών	Testere bıçağı kalınlığı / diş kalınlığı	Tloušťka čepele / tloušťka zubu	Hrúbka čepele píly / hrúbka ozubení
Terän hampaat	Δόντια λεπίδας	Bıçak dişleri	Zub kotouče	Zúbky čepele
Enimm.katkaisuvyvyys kulmassa 0°/45°	Μέγ. βθός κοπής στις 0°/45°	Maks. 0°/45°'de kesme derinliği	Max. houbka řezu při 0° / 45°	Max. hĺbka rezu pri 0 °/45 °
Kiskon kanssa	Με τροχιά	Raylı	S pásem	S pásom
Ilman kiskoa	Χωρίς τροχιά	Raysız	Bez pásu	Bez pásu
Akkujännite	Τάση μπαταρίας	Pil voltajı	Napětí akumulátoru	Napätie akumulátora
Paino ilman akkupakkausta	Βάρος χωρίς τη μπαταρία	Pil takımsız ağırlık	Hmotnost bez akumulátoru	Hmotnosť bez súpravy batérií
Paino EPTA-menetelyn 01/2014 mukaisesti (2,0 Ah ... 9,0 Ah)	Βάρος σύμφωνα με τη διαδικασία EPTA-01/2014 (2,0 Ah ... 9,0 Ah)	EPTA-Prosedürü 01/2014 ile uyumlu ağırlık (2,0 Ah ... 9,0 Ah)	Hmotnost podle postupu EPTA 01/2014 (2,0 Ah ... 9,0 Ah)	Hmotnosť podľa postupu EPTA 01/2014 (2,0 Ah ... 9,0 Ah)
Suosittelu toimintalämpötila	Συνιστώμενη θερμοκρασία περιβάλλοντος λειτουργίας	Önerilen çalıştırma ortam sıcaklığı	Doporučená teplota okolí při provozu	Odporúčaná okolitá prevádzková teplota
Suosittelu akkutyyppi	Συνιστώμενος τύπος μπαταρίας	Tavsiye edilen pil takımı tipi	Doporučený druh baterie	Odporúčaný typ batérie
Suosittellut laiturit	Συνιστώμενοι φορτιστές	Önerilen şarj cihazları	Doporučené nabíječky	Odporúčané nabíjačky
Melutiedot	Πληροφορίες θορύβου	Gürültü Bilgisi	Informace o hluku	Informácie o hluku
Mitatut arvot määritetty EN 62841 -standardin mukaan. Työkäluen A-painotetut melutasot ovat tyypillisiä:	Μετρούμενες τιμές προσδιοριζόμενες σύμφωνα με το EN 62841. Συνήθως τα A-σταθμισμένα επίπεδα θορύβου του εργαλείου είναι:	EN 62841'e göre belirlenen ölçülen değerler.. Tipik olarak, cihazın A-ağırlıklı gürültü seviyeleri şöyledir:	Naměřené hodnoty určené podle EN 62841. Typické hladiny hluku A nástroje:	Namerané hodnoty stanovené podľa normy EN 62841. Typické A-vážené úrovne hluku náradia sú:
Äänipaine / epävarmuus	Στάθμη ηχητικής πίεσης / Αβεβαιότητα	Ses basınç seviyesi / Belirsizlik	Hladina akustického tlaku / Nepřesnost	Hladina akustického tlaku / Odchýlka
Äänenteho / epävarmuus	Επίπεδο ηχητικής ισχύος / Αβεβαιότητα	Ses gücü seviyesi / Belirsizlik	Úroveň akustického výkonu / Nepřesnost	Hladina akustického výkonu / Odchýlka
Pidä kuulosuojaimia!	Φοράτε προστατευτικά ακοής!	Kulak tıkacı kullanın!	Používejte ochranu sluchu!	Používajte ochranu sluchu!
Tärinätiedot	Πληροφορίες κραδασμών	Titreşim Bilgisi	Informace o vibracích	Informácie o vibráciách
Tärinän kokonaisarvot (kolmiaksisiaisen vektorin summa) määritetty EN 62841-standardin mukaisesti.	Οι συνολικές τιμές κραδασμών (τριαξονικό διανυσματικό άθροισμα) προσδιορίζονται σύμφωνα με το πρότυπο EN 62841.	EN 62841'e göre belirlenen titreşim toplam değerleri (üç eksenli vektör toplamı).	Celkové hodnoty vibrace (trojový vektorový součet) určené podle EN 62841.	Celkové hodnoty vibrácií (trojosový vektorový súčet) stanovené podľa normy EN 62841.
Puun leikkaaminen / epävarmuus	Κοπή ξύλου/Αβεβαιότητα	Ahşap kesme/Belirsizlik	Řezání dřeva / nejistota	Pílenie dreva/neistota

Polski	Magyar	Slovenščina	Hrvatski	
Dane tehniczne	Műszaki adatok	Tehnični podatki	Tehnički podaci	
Prędkość bez obciążenia	Terhelés nélküli sebesség	Hitrost brez obremenitve	Brzina bez opterećenja	5000 min ⁻¹
Średnica brzeszczotu × średnica otworu	Fűrészlap átmérője x furatátmérő	Premer žaginega lista × premer odprtine	Promjer oštrice pile x promjer otvora	165 x 20 mm
Grubość tarczy tnącej / grubość zęba	Fűrészlap vastagsága/fogvastagság	Debelina rezila žage / debelina zob	Debljina oštrice pile / debljina zupca	1,3 / 2,0 mm
Liczba zębów tarczy	Fűrészlap fogai	Zobje rezila	Zubi pile	40T
Maks. głębokość cięcia pod kątem 0° / 45°	Max. vágási mélység: 0°/45°	Najv. globina rezanja pri 0°/45°	Maksimalna dubina rezanja pri 0° / 45°	
Z prowadnicą	Nyomtávval	Z vodilno letvijo	S vodilicom	54,0 / 38,1 mm
Bez prowadnicy	Nyomtáv nélkül	Brez vodilne letve	Bez vodilice	58,5 / 42,5 mm
Napięcie akumulatora	Akkumulátor feszültsége	Napetost baterije	Napon baterije	18 V
Masa bez akumulatora	Súly akkumulátor nélkül	Teža brez baterijskega vložka	Težina bez baterijskog sklopa	4,0 kg
Masa zgodnie z procedurą EPTA 01/2014 (2,0 Ah ... 9,0 Ah)	Súly a 01/2014 EPTA-eljárás szerint (2,0 Ah ... 9,0 Ah)	Teža skladno s postopkom EPTA 01/2014 (2,0 Ah ... 9,0 Ah)	Težina u skladu s EPTA postupkom 01/2014 (2,0 Ah ... 9,0 Ah)	4,4 ... 5,2 kg
Zalecana temperatura otoczenia w miejscu pracy	Ajánlott üzemi hőmérséklet	Priporočena temperatura okolja med delovanjem	Preporučena okolna radna temperatura	-18...+50 °C
Zalecany typ akumulatora	Ajánlott akkumulátorfajta	Priporočeni tip baterije	Preporučena vrsta baterije	L18...
Zalecane ładowarki	Ajánlott töltők	Priporočeni polnilci	Preporučeni punjači	AL18G, BL1...
Informacje o hałasie	Zajinformációk	Informacije o hrupu	Informacije o buci	
Zmierzone wartości określono zgodnie z normą EN 62841. Typowe wartości poziomu dźwięku A dla narzędzia wynoszą:	A mért értékek meghatározása az EN 62841 szabvány szerint. Jellemzően az eszköz „A” súlyozott zajszintjei:	Izmerjene vrednosti določene v skladu z EN 62841. Običajne povprečno uravnotežene stopnje hrupa orodja so:	Izmerjene vrijednosti u skladu s normom EN 62841. Tipično, A-ponderirane vrijednosti razine buke iznose:	
Poziom ciśnienia akustycznego / niepewność	Hangnyomásszint/bizonytalanság	Raven zvočnega tlaka / negotovost	Razina zvučnog tlaka / Nesigurnost	L _{pk} = 92 dB(A) / K = 3 dB(A)
Poziom natężenia dźwięku / niepewność Niepewność	Hangteljesítményszint/ bizonytalanság Bizonytalanság	Raven zvočne moči / negotovost Negotovost	Razina jakosti zvuka / Nesigurnost Nesigurnost	L _{WA} = 100 dB(A) / K = 3 dB(A)
Nosić ochronę słuchu!	Viseljen hallásvédőt!	Nosite zaščito za ušesa!	Nosite zaštitu za uši!	
Informacje o wibracjach	Rezgési információk	Informacije o vibracijah	Informacije o vibracijama	
Całkowite wartości drgań (suma wektorów trójosiowych) określono zgodnie z normą EN 62841.	Rezgés összesített értékei (háromdimenziós vektorösszeg) az EN 62841 szerint meghatározva.	Skupne vrednosti vibracij (triosna vektorska vsota), določene v skladu z EN 62841.	Ukupne vrijednosti vibracija (zbroy troosnog vektora) određene u skladu s normom EN 62841.	
Cięcie drewna / Tolerancja	Fa vágása / Bizonytalanság	Rezanje lesa/negotovost	Rezanje drva / nesigurnost	a _{v,B} = 1,7 m/s ² K = 1,5 m/s ²



Latviski	Lietuviškai	Eesti	Русский	Български
Tehniskie dati	Techniniai duomenys	Tehnilised andmed	Технические характеристики	Технически данни
Tukšgaitas ātrums	Greitis be apkrovimo	Tõõkiirus koormuse puudumisel	Скорость вращения без нагрузки	Скорост на празен ход
Zāģa lentes diametrs x atveres diametrs	Pjūklō diskō skersmūo x angos skersmūo	Sae tera lābimōdōt x augu lābimōdōt	Диаметр диска пилы x диаметр отверстия	Диаметър на циркулярния диск x диаметър на отвора
Zāģa ripas biežums / zobu biežums	Pjovimo disko storis / dantuko storis	Saeketta pakšus / hamba pakšus	Толщина пильного полотна / толщина зубьев	Дебелина на режещия диск / дебелина на зъба
Asmens zobi	Geležtēs dantukū skaičius	Lōiketera hammas	Число зубьев	Зъби на острието
Maks. zāģēšanas dziļums: 0°/45°	Maks. pjovimo gylis esant 0° / 45° kampui	Max lõike sügavus 0° / 45°	Макс. глубина пиления при 0° / 45°	Макс. дълбочина на рязане 0°/45°
Ar ķēdi	Su bēgeliu	Rõõpaga	С шиной	С водеща шина
Bez ķēdes	Be bēgelio	Rõõpata	Без шины	Без водеща шина
Akumulatora spriegums	Akumulātoriaus ītampa	Aku pinge	Напряжение аккумулятора	Напрежение на батерията
Svars bez akumulatoru bloka	Svoris be akumulātoriaus	Kaal ilma akuta	Масса без аккумуляторного блока	Тегло без аккумуляторната батерия
Svars saskaņā ar EPTA procedūru 01/2014 (2,0 Ah ... 9,0 Ah)	Svoris pagal EPTA procedūru 01/2014 (2,0 Ah ... 9,0 Ah)	Kaal vastavalt EPTA-protseduurile 01/2014 (2,0 Ah ... 9,0 Ah)	Вес согласно процедуре EPTA 01/2014 (2,0 Ач ... 9,0 Ач)	Тегло според процедурата на EPTA 01/2014 (2,0 Ah ... 9,0 Ah)
Ieteicamā apkārtējās vides temperatūra lietošanai	Rekomenduojama darbo aplinkos temperatūra	Soovitatav ümbritseva keskkonna temperatuur töötamiseks	Рекомендуемая температура окружающей среды	Препоръчителна температура на околната среда
Ieteicamais akumulatora veids	Rekomenduojamas akumulātoriaus tips	Soovitatav aku tüüp	Рекомендуемый тип аккумулятора	Препоръчителен тип батерия
Ieteicamie lādētāji	Rekomenduojami įkrovikliai	Soovitatavad laadijad	Рекомендованные зарядные устройства	Препоръчителни зарядни устройства
Trokšņu informācija	Informācija apie keliāmā triukšmā	Andmed mūra kohta	Данные об уровне шума	Информация за шума
Izmēritās vērtības noteiktas saskaņā ar EN 62841. Parasti instrumenta A-svērtie skaņu līmeņi ir:	Išmatuosios vērtēs, nustatytos pagal standartą EN 62841.: Įrankio nustatyteji A triukšmo lygiai dažniausiai yra:	Mõõdetud väärtused vastavad standardile EN 62841.: Tõõriista A-korjigeeritud mūratasemed on üldjuhul:	Значения получены в соответствии со стандартом EN 62841. Как правило, амплитудно-взвешенные уровни шума инструмента составляют:	Измерените стойности са определени съгласно EN 62841. Обикновено A-претеглените нива на шум на инструмента са:
Skaņas spiediena līmenis / Nenoteiktība	Garso slėgio lygis / paklaida	Helirõhutase / määramatus	Уровень звукового давления / Погрешность	Ниво на звукова налягане / Неопределеност
Skaņas jaudas līmenis / Nenoteiktība Nenoteiktība	Garso galios lygis / paklaida Paklaida	Helivõimsuse tase / määramatus Määramatus	Уровень звуковой мощности / Погрешность Неопределенность	Ниво на звукова мощност / Неопределеност Неопределеност
Valkājiēt dzirdes aizsarglīdzekļus!	Dēvēkīte ausū apsāugos priemones!	Kasutāģe kōrvakaitseīdeī!	Используйте средства защиты органов слуха!	Носете антифони!
Vibrācijas informācija	Informācija apie keliāmā vibrācijā	Andmed vibratsiooni kohta	Данные об уровне вибрации	Информация за вибрациите
Vibrāciju kopējā vērtība (trīs asu vektoru summa), kas noteikta saskaņā ar EN 62841:	Bendrosios vibracijos vērtēs (trīšašo vektoriaus suma), nustatytos pagal standartą EN 62841.	Standardile EN 62841 vastavad vibratsiooni koguväärtused (kolmiaktsiaalvektori summa):	Общие значения вибрации (триаксиальная векторная сумма) в соответствии с EN 62841.	Общата стойност на вибрациите (векторна сума по трите оси) е определена съгласно EN 62841.
Koka zāģēšana / nenoteiktība	Medžio pjovimas / neapibrēžta	Puidu lõikamine / Ebakindlus	Распилка древесины / Погрешность	Рязане на дърво/несигурност

Româna	Македонски	Українська	عربي	
Fișă de date tehnice	Технички податоци	Технічні характеристики	البيانات التقنية	
Viteză fără sarcină	Брина без оптоварување	Швидкість без навантаження	السرعة دون حمل	5000 min ⁻¹
Diametru lamă de fierăstrău x diametru orificiu	Дијаметар на сечилото на пилата x дијаметар на отворот	Дијаметр пиляного диска x дијаметр отвору	قطر شفرة المنشار x قطر الثقب	165 x 20 mm
Grosime lamă / grosime dinte	Дебелина на сечило на пила / дебелина на заб	Товщина диска / товщина зубаца	سمك شفرة المنشار / سمك الأسنان	1,3 / 2,0 mm
Dinte lamă	Забн на сечило	Зубці леаза	أسنان الشفرة	40T
Adâncime de tăiere maximă la 0°/45°	Макс. дълбочина на сечење на 0° / 45°	Макс. глибина ризання під кутом 0° / 45°	الحد الأقصى لعمق القطع عند زاوية 0 درجة / 45 درجة	
Cu șină	Со водилка	Із напрямною	مع مسار	54,0 / 38,1 mm
Fără șină	Без водилка	Без напрямної	من دون مسار	58,5 / 42,5 mm
Tensiune baterie	Напон на батеријата	Напряга акумулјатора	جهد البطارية	18 V
Greutate fără acumulator	Тежина без батерија	Вага без акумулјатора	الوزن (بمن حزمة البطارية)	4,0 kg
Greutate conform procedurii EPTA 01/2014 (2,0 Ah ... 9,0 Ah)	Тежина според EPTA-Постапка 01/2014 (2,0 Ah ... 9,0 Ah)	Вага відповідно до Процедури EPTA 01/2014 (2,0 Ah ... 9,0 Ah)	الوزن وفقاً لإجراء جمعية أدوات الطاقة الأوروبية (EPTA) رقم 01/2014 (2.0 أمبير/الساعة ... 9.0 أمبير/الساعة)	4,4 ... 5,2 kg
Temperatura ambientală recomandată pentru operare	Препорачана амбиентална температура при работење	Рекомендована работна температура навколишнього середовища	درجة الحرارة الموصى بها للوسط المحيظ أثناء التشغيل	-18...+50 °C
Tipul de acumulator recomandat	Препорачан тип на батерии	Рекомендовани тип батареї	نوع البطارية الموصى بها	L18...
Încărcătoare recomandate	Препорачани полначи	Рекомендовани зарядні пристрої	أجهزة الشحن الموصى بها	AL18G, BL1...
Date despre nivelul de zgomot	Информаци за бучава	Информација про шум	معلومات المتعلقة بالضوضاء	
Valori măsurate conform standardului EN 62841. În mod uzual, nivelurile de zgomot ponderate A ale unelei sunt:	Измерени вредности пресметани според EN 62841. Вообичаено, нивоата на бучава од А-мерењата на алатот се:	Виміряні значення відповідно до EN 62841. Номінально А-звжени значення шуму інструменту такі:	يتم قياس القيم وفقاً للمواصفة EN 62841. في العادة، تكون مستويات الضوضاء المرجحة لأداة هي:	
Nivel de zgomot/incertitudine	Ниво на звучен притисок / Неизвесност	Рівень звукового тиску /похибка	مستوى الضغط المناسب / غير مؤكد	L _{PA} = 92 dB(A) / K = 3 dB(A)
Nivel putere sonoră/incertitudine	Ниво на моќност на звук / Неизвесност	Рівень звукової потужності / похибка Відхилення	مستوى الطاقة المناسب / غير مؤكد عدم اليقين	L _{WA} = 100 dB(A) / K = 3 dB(A)
Purtați protecție pentru urechi!	Носете заштита за уши!	Надягайте навушници!	يجب ارتداء واقيات الأذن!	
Informații despre vibrații	Информаци за вибрации	Информација про вібрацію	المعلومات المتعلقة بالاهتزاز	
Valori ale vibrațiilor totale (suma vectorului triaxial) măsurate conform standardului EN 62841:	Вкупни вредности на вибрации (триаксијален векторски збир определени според EN 62841.	Загальні значення вібрації (сума векторів за трьома осями) визначена відповідно до EN 62841.	يتم تحديد القيم الإجمالية للاهتزاز (مجموع متجه ثلاثي المحاور) وفقاً للمواصفة EN 62841.	
Tăiere lemn/Incertitudine	Сечење дрво / Несигурност	Відрізання дерева / погрешність	قطع الخشب / معدل الشك	a _{v,B} = 1,7 m/s ² K = 1,5 m/s ²



EN ⚠ WARNING!

The declared vibration total values and the declared noise emission values given in this instruction manual have been measured in accordance with a standardised test and may be used to compare one tool with another. They may be used for a preliminary assessment of exposure.

The declared vibration and noise emission values represent the main applications of the tool. However, if the tool is used for different applications, used with different accessories, or poorly maintained, the vibration and noise emission may differ. These conditions may significantly increase the exposure levels over the total working period. An estimation of the level of exposure to vibration and noise should take into account the times when the tool is turned off or when it is running idle. These conditions may significantly reduce the exposure level over the total working period.

Identify additional safety measures to protect the operator from the effects of vibration and noise, such as maintaining the tool and the accessories, keeping the hands warm (in case of vibration), and organising work patterns.

DE ⚠ WARNUNG!

Die in dieser Anleitung deklarierten Gesamtwerte der Schwingungsemission und die deklarierten Werte der Geräuschemission wurden gemäß einer standardisierten Testmethode gemessen und können verwendet werden, um Werkzeuge miteinander zu vergleichen. Sie können für eine vorläufige Beurteilung der Belastung verwendet werden.

Die deklarierten Werte für Schwingungs- und Geräuschemission treffen auf die Hauptanwendung des Werkzeugs zu. Wenn jedoch das Werkzeug für verschiedene Anwendungen oder mit unterschiedlichem Zubehör genutzt wird oder schlecht gewartet ist, kann die Schwingungs- und Geräuschemission variieren. Diese Bedingungen können das Belastungsniveau über die gesamte Arbeitszeit deutlich steigern. Eine Schätzung der Schwingungsbelastung sollte auch die Zeiten berücksichtigen, in denen das Werkzeug ausgeschaltet ist oder im Leerlauf läuft. Diese Bedingungen können das Belastungsniveau über die gesamte Arbeitszeit deutlich reduzieren.

Legen Sie zusätzliche Sicherheitsmaßnahmen fest, um den Bediener vor den Auswirkungen von Schwingung und Geräuschen zu schützen, z. B. Warten des Geräts und der Zubehöreile, Warmhalten der Hände (bei Schwingung) und Organisieren der Tätigkeit.

FR ⚠ MISE EN GARDE

Le niveau total de vibrations et le niveau total d'émissions sonores déclarés indiqués dans ce manuel d'instruction ont été mesurés selon une méthode de test normalisée et peut servir de référence pour comparer les outils entre eux. Ils peuvent servir d'évaluation préliminaire à l'exposition.

Les niveaux d'émissions sonores et de vibrations déclarés représentent les principales applications de l'outil. Toutefois, si l'outil est utilisé pour des applications différentes ou des accessoires différents, ou s'il est mal entretenu, les vibrations émises peuvent varier. Ces facteurs pourraient augmenter considérablement les niveaux d'exposition sur la durée totale d'utilisation. Une estimation du niveau d'exposition aux vibrations et du bruit doit aussi prendre en compte les périodes durant lesquelles l'outil est éteint ou lorsqu'il fonctionne à vide. Ces facteurs pourraient réduire considérablement le niveau d'exposition sur la durée totale d'utilisation.

Identifiez toute mesure de sécurité supplémentaire à observer pour protéger l'opérateur des effets des vibrations et du bruit, comme l'entretien de l'outil et des accessoires, le maintien au chaud des mains (en cas de vibrations), et l'élaboration de schémas de pulvérisation.

IT ⚠ MISE EN GARDE

Il livello di emissioni di vibrazioni riportato in questa scheda informativa è stato misurato con un metodo di prova standardizzato ed è utilizzabile per confrontare gli utensili fra di loro. Questi possono essere usati per una valutazione preliminare dell'esposizione.

I valori di emissione di rumori e vibrazioni rappresentano le principali applicazioni dello strumento. Tuttavia, se l'utensile viene utilizzato in applicazioni differenti, con differenti accessori o con scarsa manutenzione, l'emissione di vibrazioni e rumori può essere diversa. Queste condizioni possono significativamente aumentare il livello di esposizione nel periodo di lavoro totale. Una stima del livello di esposizione alle vibrazioni e ai rumori va presa in considerazione anche quando l'utensile viene spento oppure è in funzione a folle. Queste condizioni possono significativamente ridurre il livello di esposizione nel periodo di lavoro totale.

Identificare le misure di sicurezza aggiuntive per proteggere l'operatore dagli effetti di vibrazioni e rumori, come la manutenzione di strumento e accessori, mantenendo le mani calde (in caso di vibrazione) e le modalità di lavoro.

ES ⚠ ADVERTENCIA!

Los valores totales de emisión de vibración declarados y los valores de emisiones de ruido declarados que se indican en este manual de instrucciones se han calculado según lo establecido en una prueba estandarizada y se pueden utilizar para comparar una herramienta con otra. Se pueden utilizar para una evaluación preliminar de exposición.

Los valores declarados de emisión de vibración y ruido representan las aplicaciones principales de la herramienta. No obstante, si la herramienta se utiliza para diferentes aplicaciones, con distintos accesorios o con un mantenimiento deficiente, la emisión de vibración y ruido podría diferir. Estas condiciones

podrían aumentar significativamente los niveles de exposición sobre el periodo de funcionamiento total. Una estimación del nivel de exposición a la vibración y el ruido debería también tenerse en cuenta la herramienta está apagada o cuando funciona a baja intensidad. Estas condiciones podrían reducir significativamente el nivel de exposición sobre el periodo de funcionamiento total.

Identifique cualquier medida de protección adicional para proteger al operario de los efectos de la vibración y el ruido, como el mantenimiento de la herramienta y los accesorios, mantener las manos calientes (en caso de vibración) y la organización de los patrones de trabajo.

PT ⚠ AVISO!

Os valores de vibração totais declarados e o nível de emissão de ruído dado nesta ficha de informações foi medido de acordo com um teste normalizado e pode ser utilizado para fazer comparações entre ferramentas. Podem ser utilizados para uma avaliação preliminar da exposição.

O nível declarado de emissão de vibrações e ruído representa as aplicações principais da ferramenta. Contudo, se a ferramenta for utilizada para várias aplicações, com diferentes acessórios ou se receber manutenção insuficiente, a emissão de vibrações e ruído pode ser diferente. Estas condições podem aumentar significativamente o nível de exposição ao longo do período total de trabalho. Uma estimativa do nível de exposição às vibrações e ruído deverá também levar em conta os tempos que a ferramenta está desligada ou que está a funcionar mas sem estar a ser utilizada para trabalho. Estas condições podem reduzir significativamente o nível de exposição ao longo do período total de trabalho.

Identifique medidas de segurança adicionais para proteger o operador dos efeitos da vibração e ruído, tal como a manutenção da ferramenta e dos acessórios, manter as mãos quentes (em caso de vibração) e organizar padrões de trabalho.

NL ⚠ WAARSCHUWING!

Het gespecificeerde totale trillingswaarden en geluidsemissiewaarden in deze instructiehandleiding zijn gemeten overeenkomstig een gestandaardiseerde test en kunnen worden gebruikt om gereedschappen met elkaar te vergelijken. Ze kunnen worden gebruikt voor een voorafgaande beoordeling van blootstelling.

De gespecificeerde trillings- en geluidsemissiewaarden vertegenwoordigen de belangrijkste toepassingen van het gereedschap. Als het gereedschap echter voor andere toepassingen of met andere accessoires wordt gebruikt of slecht wordt onderhouden, kunnen de trillings- en geluidsemissiewaarden afwijken. Deze omstandigheden kunnen het blootstellingsniveau over de gehele gebruiksperiode aanzienlijk verhogen. Een schatting van het niveau van blootstelling aan trillingen en geluid dient ook rekening te houden met de perioden dat het gereedschap is uitgeschakeld of is ingeschakeld maar niet wordt gebruikt. Deze omstandigheden kunnen de blootstellingsniveau over de gehele gebruiksperiode aanzienlijk verhogen.

Stel aanvullende veiligheidsmaatregelen vast om de gebruiker te beschermen tegen de effecten van trillingen en geluid, zoals onderhoud van het gereedschap en de accessoires, het warm houden van de handen (in geval van trillingen) en het organiseren van werkpatronen.

DA ⚠ ADVARSEL!

Vibrations- og støjemissionsværdierne, der er angivet i denne vejledning er målt i overensstemmelse med en standardiseret test og kan bruges til at sammenligne et værktøj med et andet. De kan bruges til en foreløbig vurdering af udsættelse.

De angivne vibrations- og støjemissionsværdier repræsenterer værktøjets hovedanvendelser. Hvis værktøjet imidlertid anvendes til andre formål med forskellig tilbehør eller er dårligt vedligeholdt, kan vibrations- og lydmissionen afvige. Disse forhold kan i væsentlig grad færdige udsættelsesniveauerne over den samlede arbejdsperiode. Et overslag over udsættelsesniveauet for vibrationer og støj bør også tage højde for de gange, hvor værktøjet er slukket, eller når det kører i tomgang. Disse forhold kan i betragteligt omfang reducere udsættelsesniveauet over den samlede arbejdsperiode.

Find yderligere sikkerhedsforanstaltninger, der kan beskytte operatøren mod virkningerne af vibrationer og støj, såsom vedligeholdelse af værktøjet og tilbehøret, holde hænderne varme (i tilfælde af vibrationer) og organisering af arbejdsmonstrer.

NO ⚠ ADVARSEL!

De erklærte totale vibrasjonsverdiene og de erklærte støytutsverdiene gitt i denne brukerhåndboken har blitt målt i samsvar med en standardisert test og kan brukes til å sammenligne ett verktøy med ett annet. De kan brukes for en preliminær vurdering av eksponering.

De opplyste vibrasjons- og støytutsverdiene representerer verktøyet hovedbruksområder. Men hvis verktøyet brukes til ulike bruksområder, brukes med ulike tilbehør eller vedlikeholdet er dårlig, kan vibrasjons- og støytutslipp være forskjellig. Disse forholdene kan øke eksponeringsnivået betraktelig i løpet av hele arbeidsperioden. En vurdering av eksponeringsnivået for vibrasjon og støy skal ta hensyn til de gangene verktøyet er slått av eller går på tomgang. Disse forholdene kan betydelig redusere eksponeringsnivået over den totale arbeidsperioden.

Identifiser ytterligere sikkerhetstiltak for å beskytte operatøren mot virkningene av vibrasjon og støy, slik som å vedlikeholde verktøyet og tilbehøret, holde hendene varme (i tilfelle vibrasjon) eller organisere arbeidsmonstrer.

SV ⚠️ VARNING!

De angivna totala vibrations- och bulleremissionsvärdena som anges i denna instruktionsmanual har uppmätts i enlighet med ett standardiserat test och kan användas för att jämföra olika verktyg. De kan användas för en preliminär bedömning av exponering.

De angivna vibrations- och bulleremissionsvärdena representerar verktygets huvudsakliga användningsområden. Om verktyget emellertid används i andra tillämpningar, med andra tillbehör eller underhållsfristligt, kan vibrationer och bulleremission skilja sig från de angivna. Dessa förhållanden kan öka exponeringsnivåerna under den totala arbetsperioden avsevärt. En uppskattning av exponeringsnivåer för vibrationer och buller bör även ta med i beräkningen de tider då verktyget är avstängt eller när det är igång men inte används i arbetet. Dessa förhållanden kan minska exponeringsnivån under den totala arbetsperioden avsevärt.

Identifiera ytterligare säkerhetsåtgärder för att skydda operatören från effekterna av vibrationer och buller, såsom att underhålla verktyget och tillbehören, hålla händerna varma (i händelse av vibrationer) och organisera arbetsmönster.

FI ⚠️ VAROITUS!

Tässä ohjekäsikirjassa tärinällä annettukokonaisarvoja ja ilmoitetun melupäästöarvon on mitattu standardoituja kokeita mukaisesti, ja niitä voidaan käyttää työkalujen vertaamiseen toisiinsa. Niitä voidaan käyttää altistumisen alustavaan arvioimiseen.

Ilmoitetut tärinä- ja melupäästöarvot koskevat työkalun pääkäyttökohtuksia. Tärinäpäästö voi kuitenkin vaihdella, jos työkalua käytetään eri käyttötarkoituksiin, eri tarvikkeilla tai huonosti huollettuina. Mainitut olosuhteet saattavat nostaa altistumistasoa huomattavasti kokonaistajojakson aikana. Tärinän ja melun altistumistasoa arviointi tulisi ottaa huomioon myös silloin, kun työkalu on kytketty pois päältä tai kun se on käynnissä, mutta sitä ei varsinaisesti käytetä. Mainitut olosuhteet saattavat vähentää huomattavasti altistumistasoa kokonaistajojakson aikana.

Lisäturvatoimenpiteillä, kuten työkalun ja lisävarusteiden huoltamisella, käsien laupimalla pitämällä (tärinän tapauksessa) ja työmailien järjestämisellä, voit suojella käyttäjä tärinältä ja melulta.

EL ⚠️ ΠΡΟΕΙΔΟΠΟΙΗΣΗ!

Η δηλωθείσα τιμή συνολικής κραδασμών και η δηλωθείσα τιμή εκπομπής θορύβου, οι οποίες αναγράφονται στο παρόν χειρίδιο, έχουν μετρηθεί σύμφωνα με τυποποιημένη δοκιμή και μπορεί να χρησιμοποιηθεί για συγκρίσεις εργαλείων. Μπορούν να χρησιμοποιηθούν για προκαταρκτική αξιολόγηση της έκθεσης.

Οι δηλωθείσες τιμές κραδασμών και εκπομπών θορύβου αφορούν ισχύουσα για τις κύριες εφαρμογές του εργαλείου. Ωστόσο, εάν το εργαλείο χρησιμοποιηθεί για διαφορετικές εφαρμογές, με διαφορετικά εξαρτήματα ή δεν συντηρηθεί σωστά, οι τιμές κραδασμών και εκπομπών θορύβου μπορεί να διαφοροποιηθούν. Οι προϋποθέσεις αυτές μπορεί να αυξήσουν σημαντικά τα επίπεδα έκθεσης κατά τη διάρκεια της συνολικής περιόδου εργασίας. Θα πρέπει να ληφθεί υπόψη μια εκτίμηση της έκθεσης σε κραδασμούς και θόρυβο όταν το εργαλείο είναι απενεργοποιημένο ή όταν μεταβληθεί σε αδράνεια. Οι συνθήκες αυτές μπορεί να μειώσουν σημαντικά τα επίπεδα έκθεσης κατά τη διάρκεια της συνολικής περιόδου εργασίας.

Προσδιορίστε πρόσθετα μέτρα ασφαλείας για την προστασία του χειριστή από τις επιπτώσεις των κραδασμών και του θορύβου, όπως συντήρηση του εργαλείου και των εξαρτημάτων, διατήρηση των χεριών ζεστών, (σε περίπτωση κραδασμών) και οργάνωση σχεδίου εργασίας.

TR ⚠️ UYARI!

Bu kullanim talaruzunda verilen toplam titreşim deęerleri ve gürültü emisyonu deęerleri standartlaştırmış bir teste göre ölçülmüştür ve bir aleti dięeriley karşılaştırmak için kullanılabılır. Maruz kalmanın önceden deęerlendirilmesi için kullanılabılır.

Beyan edilen titreşim ve gürültü emisyonu deęerleri aletin ana uygulamalarını temsil eder. Ancak, alet farklı uygulamalar için kullanılıyorsa, farklı aksesuarlarla kullanılıyorsa ve bakımı yapılmıyorsa, titreşim ve gürültü emisyonu deęişiklik gösterebilir. Bu koşullar toplam çalıřma süresi genelinde maruz kalma düzeylerini önemli oranda artırabilir. Titreşime ve gürültüye maruz kalma seviyelerini tahmininde aletin katalođidęi veya bořta çalıřtıđı süreler dikkate alınmalıdır. Bu koşullar toplam çalıřma süresi boyunca maruz kalma seviyelerini önemli oranda azaltabilir.

Kullanılan kiřiyi titreşim ve gürültünün etkilerinden korumak için aletin ve aksesuarların bakımını yapınak. (titreşim halinde) elleri sıcak tutmak ve çalıřma modelleri organize etmek gibi ilave güvenlię önlemlerini tanımlayın.

CS ⚠️ VAROVÁNÍ!

Deklarované celkové hodnoty vibrací a deklarované hodnoty hluku uvedené v tomto návodu byly změněny standardizovanou zkušební metodou a mohou být použity k porovnání jednoho mlhovače s druhým. Mohou být použity k předěžněmu posouzení vystavení vibracím a hluku.

Deklarované hodnoty vibrací a hluku jsou vymezeny hlavními způsoby použití tohoto mlhovače. Pokud je však mlhovač použit jiným způsobem, s jiným příslušenstvím nebo při nedostatečném udržbě, úroveň vibrací a hluku se mohou lišit. Tyto podmínky mohou podstatně zvýšit úroveň vystavení vibracím a hluku za celou pracovní dobu. Při odhadu úrovně vystavení vibracím a hluku je nutné vězt v úvahu také dobu, kdy je mlhovač vypnutý nebo běží naprázdno. Tyto podmínky mohou podstatně snížit úroveň vystavení vibracím a hluku za celou pracovní dobu.

K ochraně obsluhy před účinky vibrací a hluku určete další bezpečnostní opatření, například provedení udržby mlhovače a příslušenství, udržování rukou v teple (v případě vibrací) a organizování pracovních cyklů.

SK ⚠️ VÝSTRAHA!

Deklarované celkové hodnoty vibrací a deklarované hodnoty emisii hluku uvedené v tomto návodu na obsluhu boli merané v súlade so štandardizovanou skúškou a môžu sa použiť na porovnanie jedného náradia s druhým. Mōžu sa použiť na predbežné posúdenie expozície.

Deklarované hodnoty vibrácií a emisii hluku sú pre hlavné použitia náradia. No ak sa náradie používa na ine aplikácie, v spojení s iným príslušenstvom alebo je jeho udržba nepostačujúca, emisie vibrácií a hluku sa môžu líšiť. Tieto podmienky značne zvyšujú úroveň expozície počas celkovej pracovnej doby. Odhad úrovne expozície účinkom vibrácií a hluku musí taktiež zohľadniť čas vypnutia náradia alebo ak beží na voľnobeh. Tieto podmienky môžu značne znížiť úroveň expozície počas celkovej pracovnej doby.

Identifikujte ďalšie bezpečnostné opatrenia na ochranu obsluhy pred účinkami vibrácií a hluku, ako je napríklad udržiavanie náradia a príslušenstva, udržiavanie teplých rúk (v prípade vibrácií) a organizácia pracovních postupov.

PL ⚠️ OSTRZEŻENIE!

Podany w niniejszej instrukcji łączny poziom emisji wibracji zmierzono zgodnie ze znormalizowaną metodą testowania — może on być wykorzystywany do wzajemnego porównywania narzędzi. Można go wykorzystywać do wstępnej oceny narażenia.

Deklarowany poziom emisji wibracji i hałasu odpowiada głównym zastosowaniom narzędzia. Jeżeli jednak narzędzie będzie używane do innych zastosowań lub z innymi akcesoriami, bądź też jeśli będzie niewłaściwie konserwowane, poziom emisji wibracji i hałasu może się różnić. Warunki takie mogą doprowadzić do znaczącego wzrostu poziomu narażenia w całym okresie eksploatacji. Oszacowanie poziomu narażenia na wibracje i hałas powinno również uwzględniać okresy, w których narzędzie jest wyłączone bądź działa, ale nie jest wykorzystywane do pracy. Warunki takie mogą doprowadzić do znaczącego ograniczenia poziomu narażenia w całym okresie eksploatacji.

Należy zidentyfikować dodatkowe środki bezpieczeństwa mające na celu ochronę operatora przed skutkami wibracji i hałasu, takie jak konserwacja narzędzia i akcesoriów, utrzymywanie ciepła dłoni (w przypadku wibracji) oraz organizacja pracy.

HU ⚠️ FIGYELMEZTETÉS!

A jelen használati kézikönyvben közölt rezgés- és zajkibocsátási értékeket szabványosított vizsgálat segítségével mértük, amelynek segítségével az eszközök egymással összehasonlíthatók. Ezek alkalmazhatóak a kitettségek előzetes felmérésére is.

A megadott rezgés-kibocsátási és zajkibocsátási szint az eszközök alkalmazásait jelöli. Azonban ha az eszközök nem megfelelően tartják karban, különböző alkalmazásokra vagy eltérő tartozékokkal használják, akkor a rezgés- és zajkibocsátás változhat. Ezek a beavatkozások jelentősen növelhetik a kitettségi szintet a teljes működési időtartam során. A rezgésnek és zajnak való kitettségi szint becslést érdekében akkor is figyelembe kell venni, amikor az eszköz ki van kapcsolva, vagy amikor csak időtállóan jár. Ezek jelentősen csökkenthetik a kitettségi szintet a teljes működési időtartam során.

A kezelő rezgés- és zajártalom elleni védelméhez tegyen meg további biztonságí intézkedéseket, mint pl. az eszközök alkatrészei karbantartása, a kéz melegen tartása (rezgés esetén) és a munkavégzési folyamat megszerzése.

SL ⚠️ OPOZORILO!

Skupni vrednosti emisij vibracij in emisij hrupa, navedeni v tem priručniku, sta bili izmerjeni v skladu z metodo standardiziranega preskusa in se lahko uporabljata za medsebojno primerjavo orodja. Uporabljajo se lahko za predhodno oceno stopnje izpostavljenosti.

Navedeni vrednosti emisij vibracij in hrupa veljata za glavne namene uporabe orodja. Vendar, če se orodje uporablja v druge namene, z drugačnimi dodatki ali je slabo vzdrževano, sta lahko ravni emisij vibracij in hrupa drugačni. V tej pogojih se lahko stopnja izpostavljenosti v celotnem delovnem obdobju občutno zviša. V omenjeni stopnje izpostavljenosti vibracijam in hrupu je treba upoštevati tudi obdobja, v katerih je orodje ugasnjeno oziroma teče, vendar ni v dejanski uporabi. V tej pogojih se lahko stopnja izpostavljenosti v celotnem delovnem obdobju občutno zniža.

Ugotovite dodatne varnostne ukrepe za zaščito uporabnika pred učinki vibracij in hrupa, kot je vzdrževanje orodja in dodatkov, ohranjanje toplih rok (v primeru vibracij) in organizacija delovnih vzorcev.

HR ⚠️ UPOZORENJE!

Deklarirane ukupne vrijednosti vibracija i deklarirane emisije buke navedene u ovom priručniku s uputama izmjerne su na skladu sa standardizirano ispitnom metodom i mogu se koristiti za usporebu između alata s drugim. Moguće ih je upotrijebiti za preliminarnu procjenu izlaganja.

Deklarirane vrijednosti razine emisije vibracija i buke predstavljaju glavne primjene alata. Međutim, ako se alat koristi za druge primjene, koristi s različitim dodacima ili ako se loše održava, emisija vibracija i buke se može razlikovati od navedene vrijednosti. Ti uvjeti mogu uzrokovati značajno povećanje razine izloženosti u ukupnom vremenu rada alatom. Procjena razine izloženosti vibracijama i buci također bi trebala uzeti u obzir i vrijeme u kojem je alat isključen ili radi u praznom

EN
DE
FR
IT
ES
PT
NL
DA
NO
SV
FI
EL
TR
CS
SK
PL
HU
SL
HR
LV
LT
ET
RU
BG
RO
MK
UK
AR



hodu. Ti uvjeti mogu uzrokovati značajno smanjenje razine izloženosti u ukupnom vremenu rada alatom.

Utvrđite dodatne sigurnosne mjere za zaštitu rukovatelja od djelovanja vibracija i buke, kao što su održavanje alata i pribora, održavanje topline ruku (u slučaju vibracija) i organiziranje radnog vremena.

LV ▲ UZMANĪBU!

Deklarētie kopējie vibrāciju līmeņi un deklarētie trokšņu izstarošanas līmeņi, kas norādīti šajā instrukcijā ir mērīti saskaņā ar standartizētajiem testiem, un var tikt izmantoti vien instrumenta salīdzināšanai ar citu. Tos var izmantot sākotnējai ietekmes novērtēšanai.

Deklarētās vibrāciju un trokšņu veidošanās vērtības atspoguļotas galvenajam instrumenta pielietojumam. Tomēr, ja instruments tiek izmantots citam pielietojumam, izmantotais citiem aksesuāriem, vai netiek pieņemti kocti, vibrāciju un trokšņu līmeņis var atšķirties. Šie apstākļi var būtiski palielināt ietekmes līmeni visā darba laikā. Vibrāciju un trokšņu iedarbības līmeņa noteikšanai jāņem vērā arī laika posmi, kad instruments ir izslēgts, vai arī darbojas tukšgaitā. Šie apstākļi var būtiski samazināt ietekmes līmeni visā darba laikā.

Nosakiet papildu drošības pasākumus, lai aizsargātu lietotāju no vibrācijas un trokšņu ietekmes, piemēram, veicot instrumenta un aprīkojuma apkopes, roku uzturešana siltumā (vibrāciju gadījumā), vai organizējot darba grafiku.

LT ▲ SPĖJIMAS!

Šioje naudojimo instrukcijoje nurodytos keliamos vibracijos vertes nustatytos atsižvelgiant į standartinį bandomojo metodą, todėl jas galima palyginti su kitų elektrinių įrankių keliamią vibraciją. Jos taip pat gali būti naudojamos preliminariam vibracijos poveikio įvertinti.

Deklaruojamos vibracijos ir skleidžiamos triukšmų vertės atspindi pagrindinius įrenginio taikymo būdus. Tačiau, jei šiuo įrenginiu atliekami kiti darbai, naudojant kitus priedus arba prastai prižiūrimus priedus, keliamos vibracijos ir triukšmų vertės gali skirtis. Šiomis sąlygomis gali žymiai padidėti vibracijos poveikio lygiai per visą darbo laiką. Vertinant vibracijos ir triukšmo poveikio lygį per tam tikrą darbo laikotarpį, reikia atsižvelgti ne tik į laiką, kai įrenginys veikia, bet ir į tą laiką, kai įrenginys yra išjungtas, ir į laiką, kai jis veikia tuščiajia eiga be apkrovos. Šiomis sąlygomis gali žymiai sumažėti vibracijos poveikio lygis per visą darbo laiką.

Nustatykite papildomus saugos priemonės, skirtas operatoriui apsaugoti nuo vibracijos ir triukšmo poveikio, pvz., techniškai prižiūrėkite įrenginį ir priedus, laikykite rankas šiltais (vibracijos atveju) ir organizuokite darbo pamainas.

ET ▲ HOIATUS!

Käesolevas juhendis toodud vibratsioonitase ja deklareeritud müraemissiooni väärtused on mõeldud standardmeetodi järgi ja seda saab kasutada tööriistade omavaheliseks võrdlemiseks. Neid võib kasutada ka emissiooni esialgseks hindamiseks.

Deklareeritud vibratsiooni ja müraemissiooni väärtused kehtivad tööriista peamistele rakendustele. Kui aega tööriista kasutatavate muudeks töödeks, rakendatakse teisi tarvikuid või kui tööriista hooldus pole piisav, võib vibratsiooni ja müraemissiooni tase kõikuda. Need tingimused võivad emissiooni tööperioodi jooksul tunduvalt suurendada. Vibratsiooni ja müraemissiooni täpseks hindamiseks tuleb arvesse võtta ka aega, mil seade on välja lülitatud või sisse lülitatud, kuid tegegitul tööle rakendamat. Need tingimused võivad emissiooni tööperioodi jooksul tunduvalt vähendada.

Tehke kindlaks täiendavad ohutusmeetmed kasutaja kaitsmiseks vibratsiooni ja müra mõju eest: näiteks tööriista ja liisaseadmete hooldamine, käte soojas hoidmine (vibratsiooni korral) ja töökorratus.

RU ▲ ВНИМАНИЕ!

Заявленные данные о совокупном уровне вибрационного и шумового воздействия, указанные в настоящем руководстве, получены в ходе стандартизированных исследований и могут использоваться для сравнения инструментов. Могут применяться в рамках предварительной оценки степени воздействия.

Заявленный уровень вибрационного и шумового воздействия учитывает основные области применения инструмента. При этом, если инструмент используется иным образом, с другим оборудованием либо некачественно обслуживается, степень вибрационного и шумового воздействия может отличаться. В рамках всего периода эксплуатации эти условия могут способствовать значительному повышению уровней воздействия. Расчет уровня вибрационного и шумового воздействия должен также проводиться с учетом количества выключений инструмента и продолжительности работы на холостом ходу. В рамках всего периода эксплуатации эти условия могут способствовать значительному снижению уровня воздействия.

Обеспечьте дополнительные меры защиты оператора от воздействия вибрации и шума, например, техническое обслуживание инструмента и принадлежностей, поддержание температуры рук (в случае вибрации) и организации графика работ.

BG ▲ ПРЕДУПРЕЖДЕНИЕ!

Декларираниите общи стойности на излъчените вибрации и на шумовите емисии, посочени в настоящото ръководство, са измерени в съответствие със стандартизиран тестов метод и може да се използва за сравнение на един инструмент с друг. Те може да се използват за предварително оценяване на въздействието.

Декларираниите стойности на излъчените вибрации и на шумовите емисии представляват основните приложения на инструмента. Въпреки това, ако инструментът се използва за различни приложения, с различни принадлежности или поддържаща му е некачествена, излъчените вибрации и шумовите емисии могат да се различават. Тези условия може значително да увеличат нивото на излагане през целия срок на работа. При оценяване на нивото на излагане на вибрации и шум също трябва да се вземе предвид колко пъти инструментът е бил изключван или колко пъти е работил на празен ход. Тези условия може значително да намалят нивото на излагане през целия срок на работа.

Определете допълнителни мерки за предпазване на оператора от ефектите от вибрациите и шума, като например поддържане на инструментата и аксесоарите, поддържане на ръцете топли (в случай на вибрации), организация на моделите за работа.

RO ▲ ATENȚIE!

Nivelul total al vibrațiilor și valorile emisiilor de zgomot declarate în acest manual cu instrucțiuni au fost măsurate în conformitate cu o metodă de testare standardizată și pot fi utile pentru compararea uneltelor între ele. Acestea pot fi utilizate pentru evaluarea preliminară a expunerii.

Valorile emisiilor de vibrație și de zgomot declarate sunt relevante pentru domeniul de utilizare al acestor unelte. Totuși, dacă uneala este utilizată în alte scopuri, cu alte accesorii sau este întreținută necorespunzător, nivelul vibrațiilor și al zgomotului poate fi diferit. În acest caz, nivelul de expunere total, pe parcursul întregii perioade de lucru, poate crește. O estimare a nivelului de expunere la vibrații și zgomot trebuie să țină cont și de numărul de porniri-opriți, precum și de perioada în care uneala este oprită sau funcționează în gol. În acest caz, nivelul de expunere total, pe parcursul întregii perioade de lucru, poate fi mai mic.

Identificați măsuri de protecție suplimentare pentru protecția operatorului contra efectelor vibrațiilor și zgomotului, precum întreținerea unelei și a accesoriilor, menținerea mâinilor calde (în caz de vibrație) și organizarea de perioade de lucru.

МК ▲ ПРЕДУПРЕДУВАЊЕ!

Наведените вкупни вредности на вибрации и вредности на емисија на бучава дадени во овој прирачник со инструкции се измерени во согласност со стандартизиран тест и може да се користат за споредба на еден алат со друг. Може да се користи за прелиминарна процена на изложеноста.

Наведените вредности на емисијата на вибрации и бучава се однесуваат на примената на алатот. Меѓутоа, ако алатот се користи за различна намена, со различни додатоци или доколку не се одржува соодветно, емисијата на вибрации и бучава може да е различна. Тоа може значително да го зголеми нивото на изложеност во текот на вклучуниот работен период. При проценката на нивото на изложеност на вибрации и бучава треба, исто така, да се земе предвид и времето кога алатот е исклучен или кога работи напразно. Тоа може значително да го намали нивото на изложеност во текот на вклучуниот работен период.

Утврдете дополнителни мерки за безбедност за заштита на ракувачот од ефектите на вибрациите и бучавата како на пример одржување на алатот и додатоците, одржување на температурата на рацете (во случај на вибрации) и организирање на распоред на работа.

UK ▲ УВАГА!

Значения вибрації та шуму, наведені в цьому керівництві, вимірювалися відповідно до стандартизованого методу вивчення та можуть бути використані для порівняння одного інструменту з іншим. ними можна користуватися для попередньої оцінки впливу.

Наведені значення виміряно при стандартній експлуатації виробу. Утім якщо виріб використовується для інших цілей, з іншими додатковими пристосуваннями або ж не проходить належного обслуговування, рівні вибрації та шуму можуть відрізнятись від зазначених. Як наслідок, рівні впливу впродовж загального робочого часу можуть значно збільшитися. При оцінці рівнів впливу вібрації та шуму слід враховувати періоди, коли виріб вимкнений або працює на холостих обертах. Як наслідок, рівні впливу впродовж загального робочого часу можуть значно зменшитися.

Дотримуйтеся додаткових заходів, які можуть захистити оператора від впливу вібрації та шуму: підтримуйте пристрій та додаткові пристосування у належному стані, слідкуйте, щоби руки залишалися теплими (при вібрації), та продумайте графік роботи.

AR ▲ تحذیر!

تم قياس القيم الإجمالية المصّرح بها لإهتزاز وقيم انبعاثات الضوضاء المصّرح بها الواردة في هذا الدليل لتتبعها وفقاً لأختبار مُجرّد ويمكن استخدامها لمقارنة أداة بأخرى. ويمكن استخدامها لإجراء تقييم أولي للتعرض للاهتزاز.

يتمل مستوى انبعاثات الاهتزاز والضوضاء المصّرح بها من القيم المصدرة عن استخدام الأداة في التطبيقات الأساسية لها. ومع ذلك إذا استخدمت الأداة لتطبيقات مختلفة، ومع مملّفات مختلفة أو مع سوه الصوتية، فقد تختلف قيم انبعاثات الاهتزاز والضوضاء، وقد تؤدي هذه الظروف إلى زيادة كبيرة في مستويات التعرض للاهتزاز والضوضاء خلال فترة العمل بأكملها.

وعند تقدير مستوى التعرض للاهتزاز والضوضاء يجب أن تراعي الأوقات التي يتم فيها إيقاف تشغيل الأداة أو عند تشغيلها بدون حمل. وقد تؤدي هذه الظروف إلى خفض كبري مستويات التعرض للاهتزاز والضوضاء خلال فترة العمل بأكملها.

حدد تدابير السلامة الإضافية لحماية المشغل من تأثيرات الاهتزاز والضوضاء مثل: صيانة الأداة والملحقات، والحفاظ على دفء اليدين (في حالة الاهتزاز)، وتنظيم أوقات العمل.

EN EC-DECLARATION OF CONFORMITY

Track saw

Brand: AEG | Manufacturer¹ | Model number² | Production code³

We declare as the manufacturer under our sole responsibility that the product described under Technical Data fulfills all the relevant provisions of the following European Directives, European Regulations and harmonised standards.⁴

Authorised to compile the technical file.⁵

DE EU-KONFORMITÄTSEKTLÄRUNG

Schienensäge

Marke: AEG | Hersteller¹ | Modellnummer² | Produktionscode³

Wir als Hersteller erklären in alleiniger Verantwortung, dass das unter „Technische Daten“ beschriebene Produkt allen einschlägigen Bestimmungen der folgenden EU-Richtlinien, EU-Verordnungen und harmonisierten Normen entspricht.⁴

Autorisiert die technische Datei zu erstellen.⁵

FR DÉCLARATION DE CONFORMITÉ CE

Scie circulaire à guide

Marque: AEG | Fabricant¹ | Numéro de modèle² | Code de production³

Nous déclarons, en qualité de fabricant, sous notre entière responsabilité, que le produit décrit dans la section Données techniques remplit toutes les dispositions pertinentes des directives et réglementations européennes suivantes, ainsi que des normes harmonisées.⁴

Autorisé à rédiger le dossier technique.⁵

IT DICHIARAZIONE DI CONFORMITÀ CE

Sega a binario

Marca: AEG | Ditta produttrice¹ | Número de modelo² | Codice di produzione³

In qualità di produttori, dichiariamo, sotto la nostra esclusiva responsabilità, che il prodotto descritto nelle Specifiche tecniche ottempera a tutte le pertinenti disposizioni delle seguenti direttive europee, normative europee e dei seguenti standard armonizzati.⁴

Autorizzato per compilare il file tecnico.⁵

ES DECLARACIÓN DE CONFORMIDAD CE

Sierra con guía

Marca: AEG | Fabricante¹ | Número de modelo² | Código de producción³

Como fabricante, declaramos, bajo nuestra exclusiva responsabilidad, que el producto descrito en el apartado Datos Técnicos cumple con todas las disposiciones relevantes de las siguientes directivas, normas armonizadas y reglamentos europeos.⁴

Autorizado para elaborar la ficha técnica.⁵

PT DECLARAÇÃO DE CONFORMIDADE DA CE

Serra de incisão

Marca: AEG | Fabricante¹ | Número do modelo² | Código de produção³

Declaramos na qualidade de fabricante e sob nossa exclusiva responsabilidade que o produto mencionado nos Dados técnicos cumpre todas as disposições aplicáveis das seguintes diretivas, regulamentos e normas harmonizadas da União Europeia.⁴

Autorizado para compilar o ficheiro técnico.⁵

NL EG-VERKLARING VAN OVERENSTEMMING

Spoorzaag

Merk: AEG | Fabrikant¹ | Modelnummer² | Productiecode³

Wij verklaren naar onze eigen verantwoordelijkheid als fabrikant, dat het hieronder genoemde product voldoet aan alle relevante bepalingen van de volgende Europese richtlijnen, Europese verordeningen en geharmoniseerde normen.⁴

Afgevaardigde voor het samenstellen van de technische fiche.⁵

DA EF-OVERENSSTEMMELSEERKLÆRING

Sporsav

Brand: AEG | Producent¹ | Modelnummer² | Produktionskode³

Vi erklærer som fremstiller under eget ansvar, at produktet beskrevet under Tekniske data opfylder alle de relevante forskrifter i de følgende europæiske direktiver, europæiske forordninger og harmoniserede standarder.⁴

Bemyndiget til at udarbejde det tekniske kartotek.⁵

NO EU-ERKLÆRING OM SAMSVAR

Dyksesag

Merke: AEG | Produsent¹ | Modellnummer² | Produksjonskode³

Vi erklærer, som produsent, på eget ansvar at produktet beskrevet under tekniske data oppfyller alle de relevante bestemmelserne i de europeiske direktiver, europeiske forskrifter og harmoniserte standarder.⁴

Autorisert til å sette sammen den tekniske filen.⁵

SV EG-FÖRSÄKRAN OM ÖVERENSSTÄMMELSE

Cirkelsåg

Märke: AEG | Tillverkare¹ | Modellnummer² | Tillverkningskod³

Vi som tillverkare förklarar under eget ansvar att den produkt som beskrivs under rubriken Tekniska uppgifter uppfyller alla relevanta föreskrifter i följande europeiska direktiv, europeiska förordningar och harmoniserade standarder.⁴

Godkänd att sammanställa den tekniska filen.⁵

FI EY-VAATIMUSTENMUKAISUUSVAKUUTUS

Uputussaha

Tuotemerkki: AEG | Valmistaja¹ | Mallinumero² | Valmistuskoodi³

Valmistajana vakuutamme omalla vastuullamme, että teknisissä tiedoissa kuvattu tuote täyttää kaikki seuraavien eurooppalaisten direktiivien ja määräysten ja yhdenmukaistettujen standardien kaikki asiaankuuluvat säännökset.⁴

Valtuutettu kokoamaan tekninen tiedosto.⁵

EL ΔΗΛΩΣΗ ΣΥΜΜΟΡΦΩΣΗΣ ΕΕ

Πρίονι με τροχιά

Μάρκα: AEG | Κατασκευαστής¹ | Αριθμός μοντέλου² | Κωδικός προϊόντος³

Δηλώνουμε, με την ιδιότητα του κατασκευαστή και με αποκλειστικά δική μας ευθύνη, ότι το προϊόν που περιγράφεται στα Τεχνικά στοιχεία πληρεί όλες τις σχετικές διατάξεις των ακόλουθων Ευρωπαϊκών Οδηγιών, Ευρωπαϊκών Κανονισμών και εναρμονισμένων προτύπων.⁴

Εξουσιοδοτημένος για τη σύνταξη του αρχείου τεχνικών χαρακτηριστικών.⁵

TR AT-UYGUNLUK BEYANI

Dalma tip testere

Marka: AEG | Üretici¹ | Model numarası² | Üretim kodu³

Üretici olarak tüm sorumluluğu bize ait olmak üzere, Teknik Verilerde belirtilen ürünün aşağıdaki Avrupa Direktifleri, Avrupa Mevzuatı ve uyumlaştırılmış standartların ilgili hükümlerini yerine getirdiğini beyan ederiz.⁴

Teknik dosyayı derleme yetkisine sahip.⁵

CS PROHLÁŠENÍ O SHODĚ EC

Pásová píla

Značka: AEG | Výrobce¹ | Číslo modelu² | Výrobní kód³

Jako výrobce prohlašujeme výhradně na vlastní odpovědnost, že výrobek uvedený v Technických údajích splňuje všechna příslušná ustanovení evropských směrnic, evropských nařízení a harmonizovaných norem.⁴

Pověřeni ke kompilaci technického souboru.⁵

SK VYHLÁŠENIE O ZHODE ES

Pásová píla

Značka: AEG | Výrobca¹ | Číslo modelu² | Výrobný kód³

Ako výrobca na vlastnú zodpovednosť vyhlasujeme, že výrobok uvedený nižšie pod technickými údajmi vyhovie príslušným ustanoveniam nasledujúcich európskych smerníc, európskych nariadení a harmonizovaných noriem.⁴

Oprávnená osoba na zostavenie technického súboru.⁵

PL DEKLARACJA ZGODNOŚCI WE

Prowadnica do pilarki

Marka: AEG | Producent¹ | Numer modelu² | Kod produkcyjny³

Jako producent oświadczamy na własną odpowiedzialność, że produkt opisany w sekcji „Specyfikacja” spełnia wszystkie istotne postanowienia wymienionych poniżej dyrektyw UE, przepisów europejskich oraz norm zharmonizowanych.⁴

Dyrektor zarządzający.⁵

HU EK-MEGFELELŐSÉGI NYILATKOZAT SZERINT

Dekopírfűrész

Márka: AEG | Gyártó¹ | Típuszám² | Gyártási kód³



EN

DE

FR

IT

ES

PT

NL

DA

NO

SV

FI

EL

TR

CS

SK

PL

HU

SL

HR

LV

LT

ET

RU

BG

RO

MK

UK

AR

Icon of a person with a gear, representing a user or manufacturer.

Gyártóként kizárólagos felelősségünk tudatában nyilatkozunk, hogy a Műszaki adatok részben leírt termék megfelel a következő európai irányelvek, szabványok és harmonizált szabványok vonatkozó rendelkezéseinek.⁴

A műszaki dokumentáció összeállítására felhatalmazott.⁵

SL IZJAVA O SKLADNOSTI ES

Potopna žaga

Znamka: AEG | Proizvajalec¹ | Številka modela² | Koda proizvodnje³

Kot proizvajalec pod izključno lastno odgovornostjo izjavljamo, da izdelek, opisan v razdelku tehnični podatki, izpolnjuje vse ustrezne predpise naslednjih evropskih direktiv, evropskih uredb in harmoniziranih standardov.⁴

Pooblaščen oseba za sestavo tehnične dokumentacije.⁵

HR EZ IZJAVA O SUKLADNOSTI

Tračna pila

Marka: AEG | Proizvođač¹ | Broj modela² | Proizvodni kod³

Kao proizvođač, pod punom odgovornošću izjavljujemo da proizvod opisan u tehničkim podacima zadovoljava sve relevantne odredbe sljedećih evropskih direktiva, evropskih uredbi i usklađenih normi.⁴

Ovlašten za sastavi tehničku datoteku.⁵

LV ES ATBILSTĪBAS DEKLARĀCIJA

Iegremdējamsis zāģis

Zīmols: AEG | Ražotājs¹ | Modeļa numurs² | Ražošanas kods³

Ar pilnu atbildību mēs kā ražotājs deklarējam, ka sadaļā Tehniskie dati aprakstītais produkts izpilda visas atbilstošās norādīto Eiropas direktīvu, Eiropas regulu un harmonizēto standartu prasības.⁴

Pilnvarots sastādīt tehniķu failu.⁵

LT EB ATITIKTIES DEKLARACIJA

Ilgilnamasis diskinis pjūklas

Prekės ženklas: AEG | Gamintojas¹ | Modelio numeris² | Gamybos kodas³

Mes, gamintojai, atsakingai pareiškiame, kad techninių duomenų dokumente aprašytas gaminys atitinka visas atitinkamas toliau nurodytu Europos direktyvų, Europos reglamentų ir darniųjų standartų nuostatas.⁴

Igaliotas sudaryti techninį failą.⁵

ET EÜ VASTAVUSDEKLARATSIOON

Roomiksaa

Mark: AEG | Tootja¹ | Mudeli number² | Tootekood³

Kinnitame tootjana oma ainuisikulisel vastutusel, et jaotises „Tehnilised andmed“ kirjeldatud toode vastab kõigile järgmistele Euroopa direktiivide, Euroopa määruste ja ühtlustatud standardite asjakohastele sätetele.⁴

Tehnilise faili koostamiseks volitatud isik.⁵

RU ДЕКЛАРАЦИЯ О СООТВЕТВИИ ЕЭС

Погружная дисковая пила

Марка: AEG | Изготовитель¹ | Номер модели² | Код производителя³

Со всей ответственностью как производитель заявляем, что изделие, указанное в «Технических характеристиках», отвечает всем соответствующим положениям следующих европейских директив, европейских регламентов, а также гармонизированных стандартов.⁴

Лицо, ответственное за подготовку технической документации.⁵

BG ДЕКЛАРАЦИЯ НА ЕО ЗА СЪОТВЕТСТВИЕ

Циркуляр с водеща шина

Марка: AEG | Производител¹ | Номер на модела² | Производствен код³

Като производител декларирам на своя лична отговорност, че продуктът, описан в „Технически данни“, отговаря на всички съответни разпоредби на директивите и регламентите на Европейския съюз и хармонизираните стандарти по-долу.⁴

Упълномощено лице за съставяне на техническия файл.⁵

RO DECLARAȚIA CE DE CONFORMITATE

Fierăstrău cu șină

Marca: AEG | Producător¹ | Număr serie² | Cod produs³

În calitate de producător, declarăm pe proprie responsabilitate că produsul descris în fișa de date tehnice îndeplinește toate prevederile relevante ale directivelor Uniunii Europene, ale Regulamentelor UE și standardele armonizate.⁴

Autorizat să completeze fișa tehnică.⁵

MK EK-DEKLARACIJA ZA SOOBRAZNOST

Пила со водилка

Трговска марка: AEG | Производител¹ | Број на модел² | Шифра на производство³

Ние, како производител, изјавуваме под наша единствена одговорност дека производот опишан во Технички податоци ги исполнува сите соодветни одредби на следните европски директиви, европски регулативи и усогласени стандарди.⁴

Овластен за прибирање технички податоци.⁵

UK ДЕКЛАРАЦІЯ ВІДПОВІДНОСТІ ЄС

Занурювальна пила з напрямною

Марка: AEG | Виробник¹ | Номер на модела² | Заводський код³

Як виробник ми відповідально заявляємо, що описаний нижче у Технічних даних, пристрій відповідає всім чинним положенням директив ЄС, Європейських норм та гармонізованих стандартів.⁴

Уповноважений скласти технічну документацію.⁵

AR

EC- بيان المطابقة

منشأ ذو مسأله

العلامة التجارية: AEG | الشركة المصنعة¹ | رقم الطراز² | رمز الإنتاج³

نقر نحن الشركة المصنعة تحت مسؤوليتنا المنفردة بأن المنتج الموصوف تحت البيانات التقنية يفي بجميع الشروط ذات الصلة بالتوجيهات الأوروبية واللوائح الأوروبية والمعايير المنسقة الواردة فيما يلي.⁴

مخوّل بكتابة الملف التقني.⁵

¹ Techtronic Industries GmbH

Max-Eyth-Straße 10, 71364 Winnenden, Germany

² BKS18PBL

³ 48697601000001-999999

⁴ 2011/65/EU (RoHS)

2014/30/EU

2006/42/EC

EN 62841-1:2015+A11:2022

EN 62841-2-5:2014

EN IEC 55014-1:2021

EN IEC 55014-2:2021

EN IEC 63000:2018

Todd Chipner

Senior Vice President, Quality – Asia

Winnenden, 2023-12-11

⁵ Techtronic Industries GmbH

Max-Eyth-Straße 10,

71364 Winnenden,

Germany

AEG

www.aeg-powertools.eu

Techtronic Industries GmbH

Max-Eyth-Straße 10
71364 Winnenden
Germany

(10.23)
961001875-01A

*AEG is a registered trade mark used under
license from AB Electrolux (publ).*