
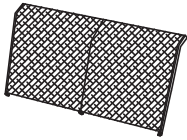
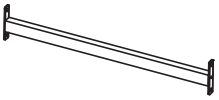
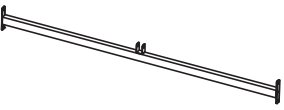
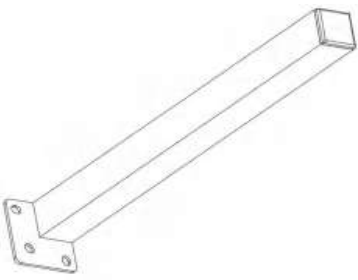
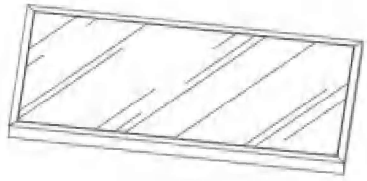



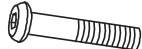








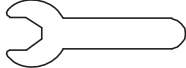

A 6 pcs	B 2 pcs	C 1 pc
		
D 2 pcs	E 1 pc	F 2 pcs
		
G 1 pc	H 4 pcs	I 1 pc
	 M 6x20mm	 M 6x30mm
	K 12 pcs	L 7 pcs

 <p>M 6x35mm</p>		 <p>M 6x55mm</p>		 <p>M 6x80mm</p>	
M	1 pc	N	18 pcs	O	12 pcs
					
P	88 pcs	Q	38 pcs	R	50 pcs
		 <p>Ø 12x8mm</p>		 <p>Ø 12x12mm</p>	
S	38 pcs	T	6 pcs	U	6 pcs
					
V	1 pc	W	1 pc		

1

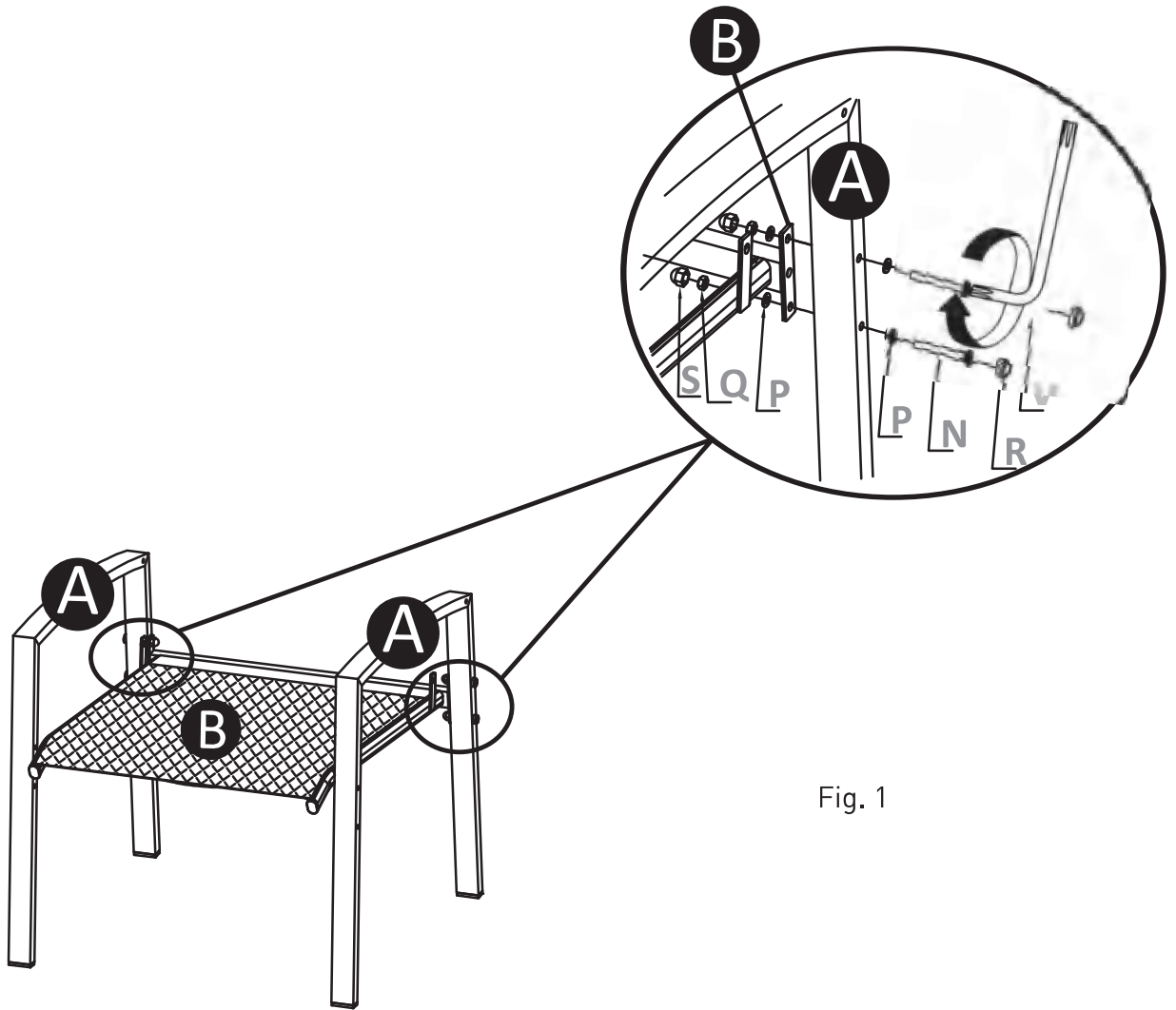
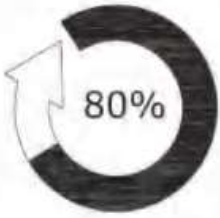


Fig. 1

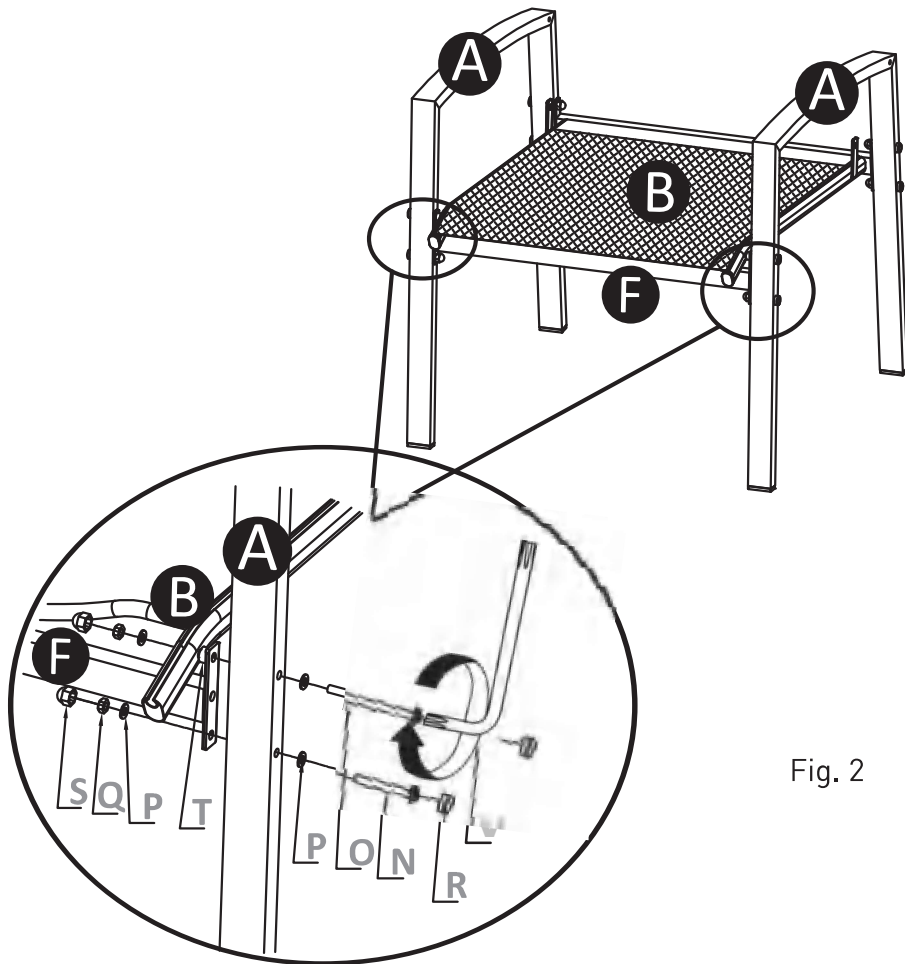
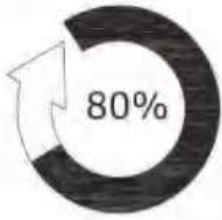


Fig. 2

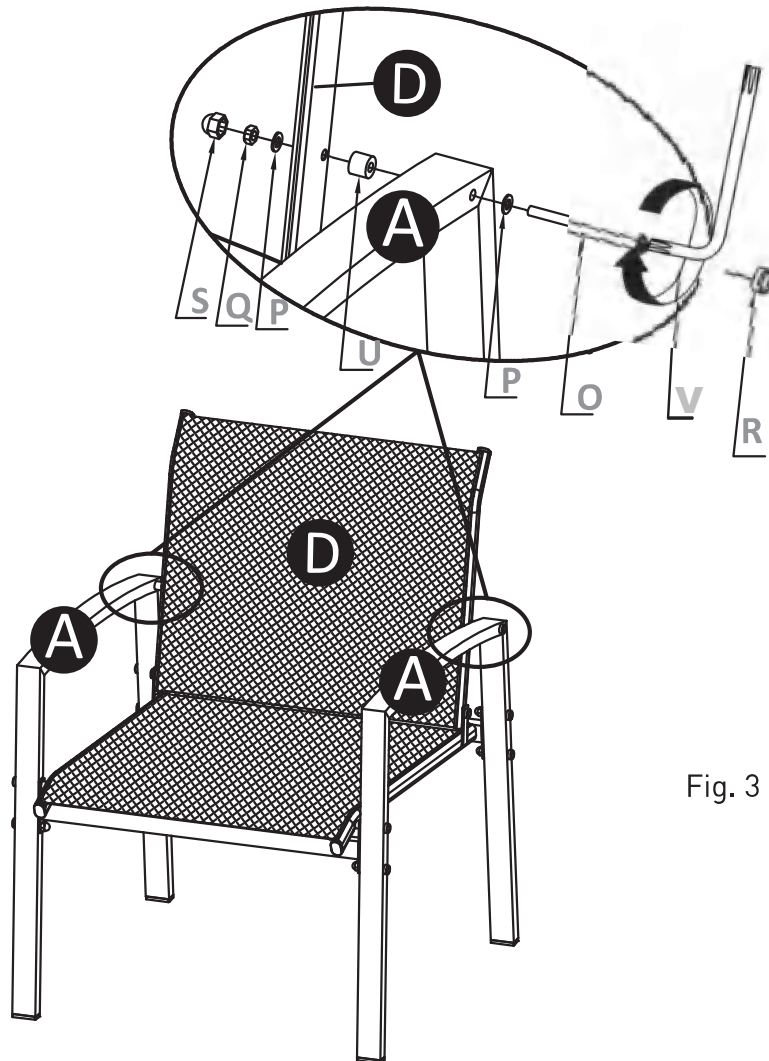
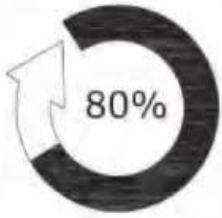


Fig. 3

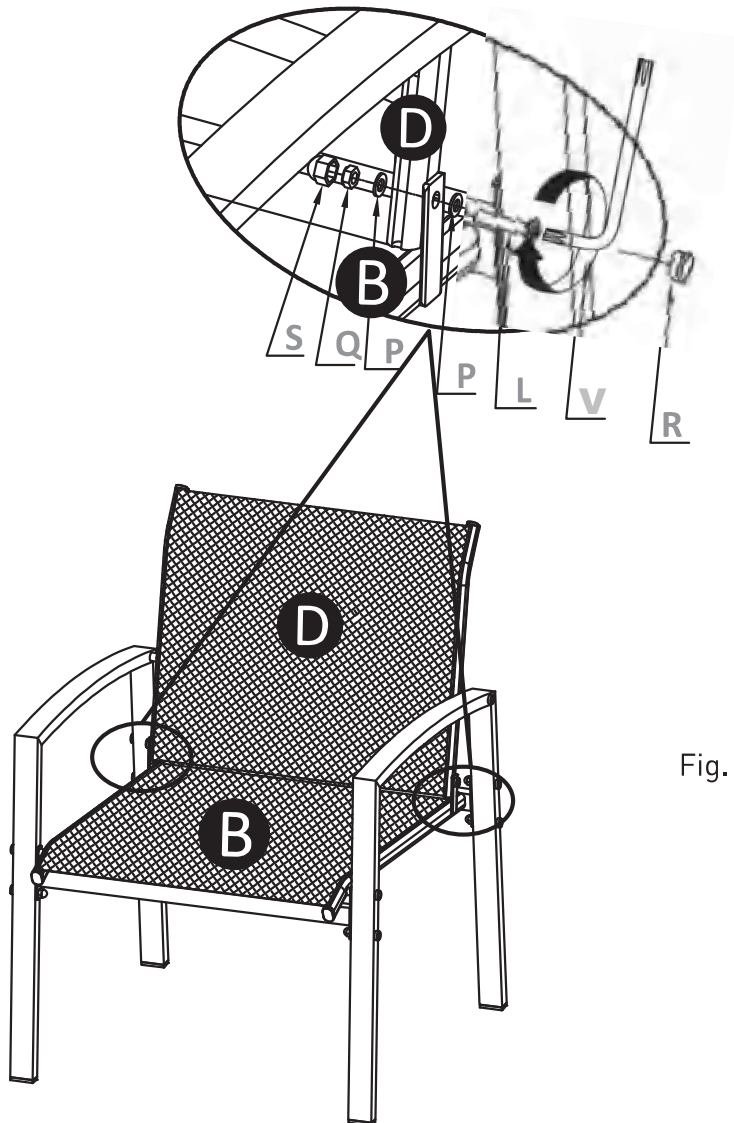


Fig. 4



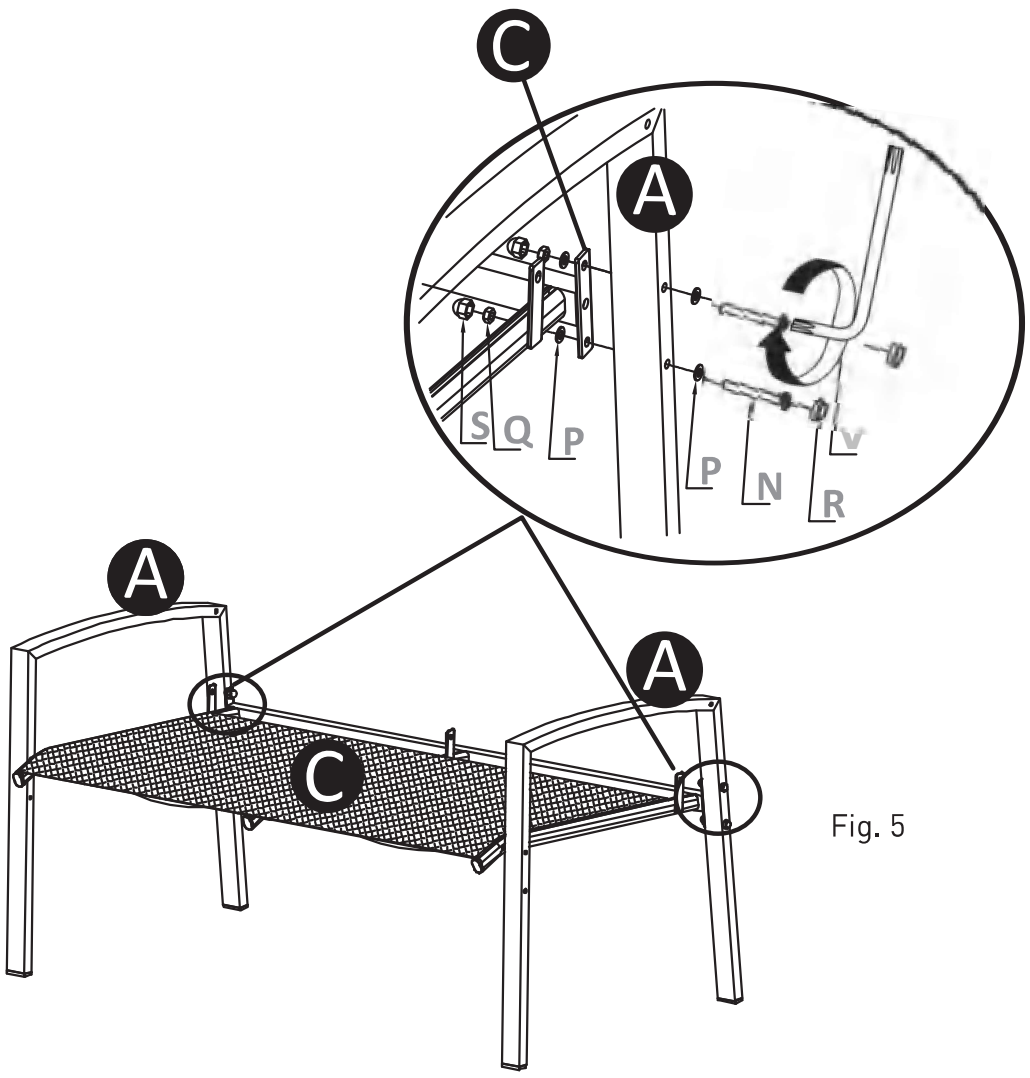
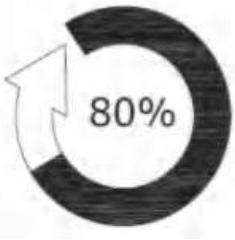


Fig. 5

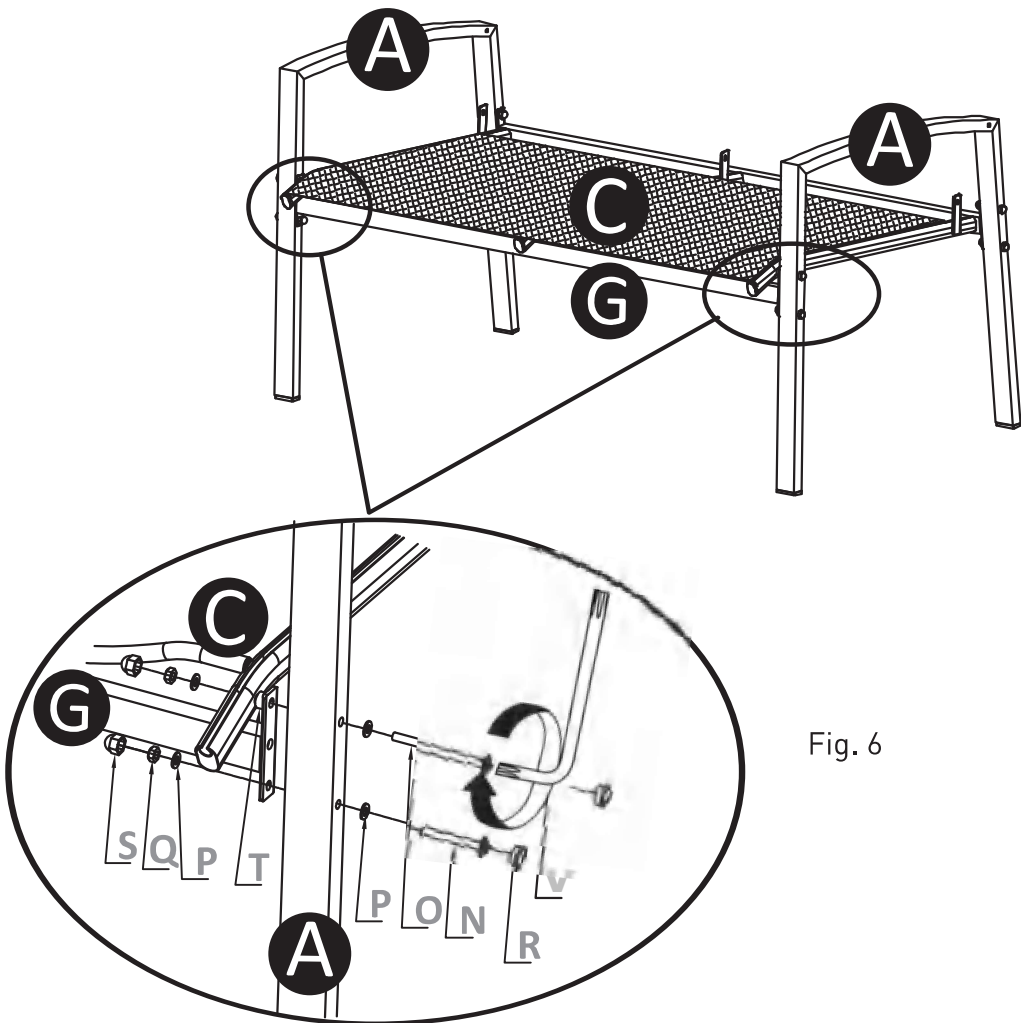
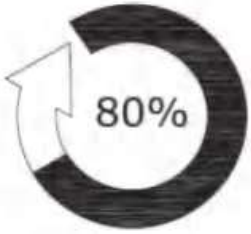


Fig. 6

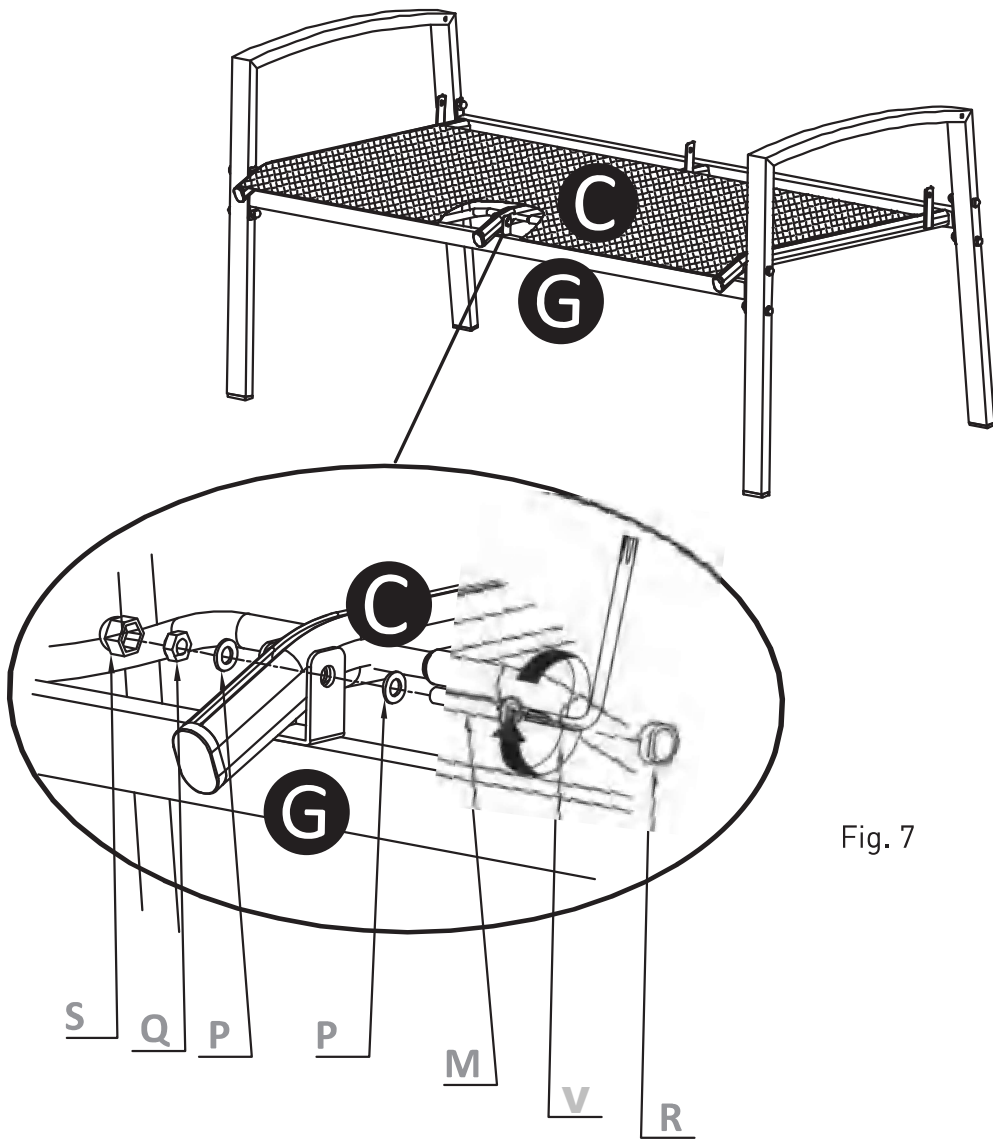
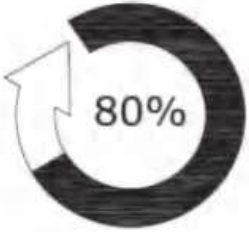


Fig. 7

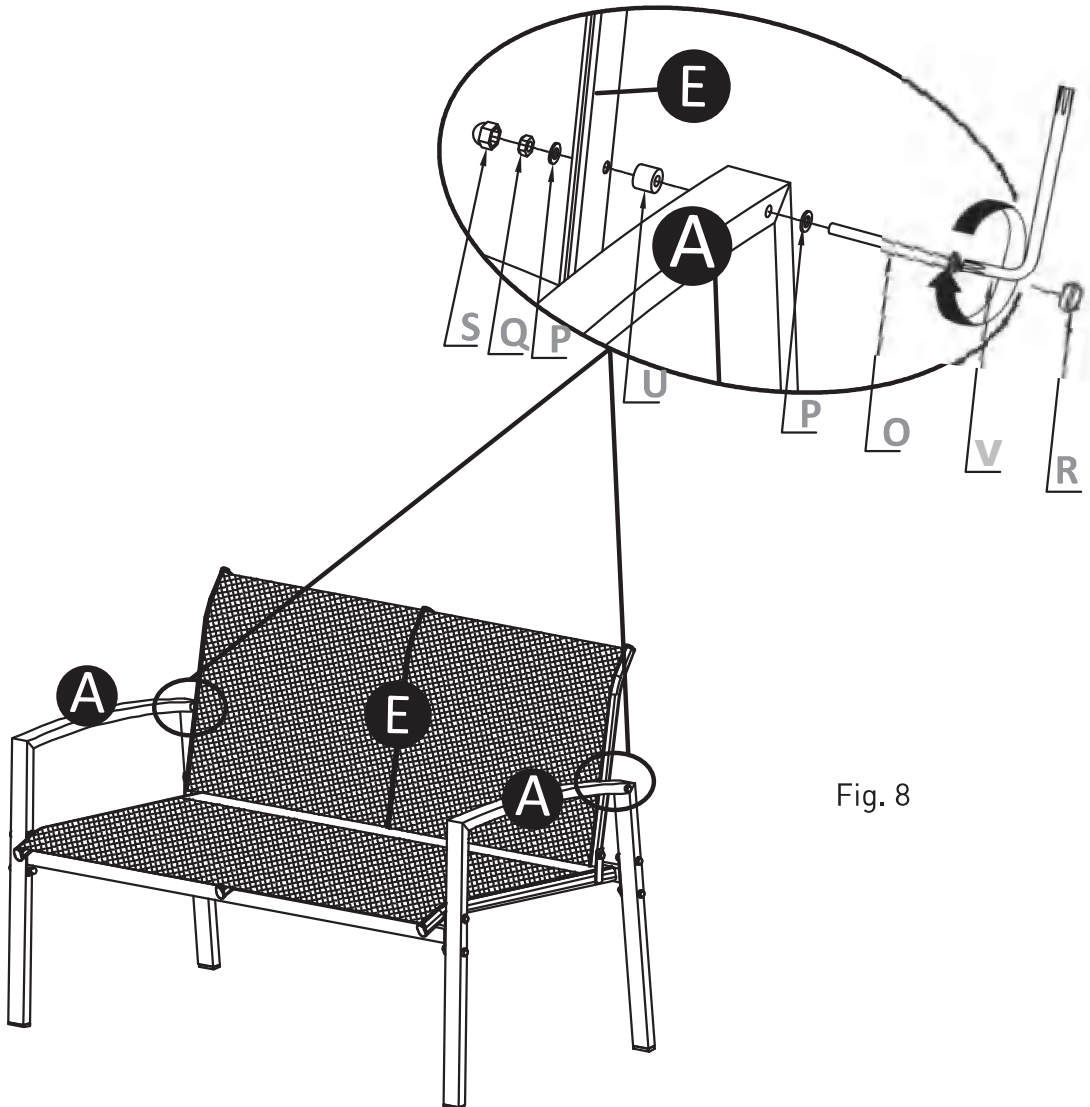
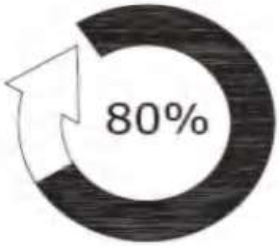


Fig. 8

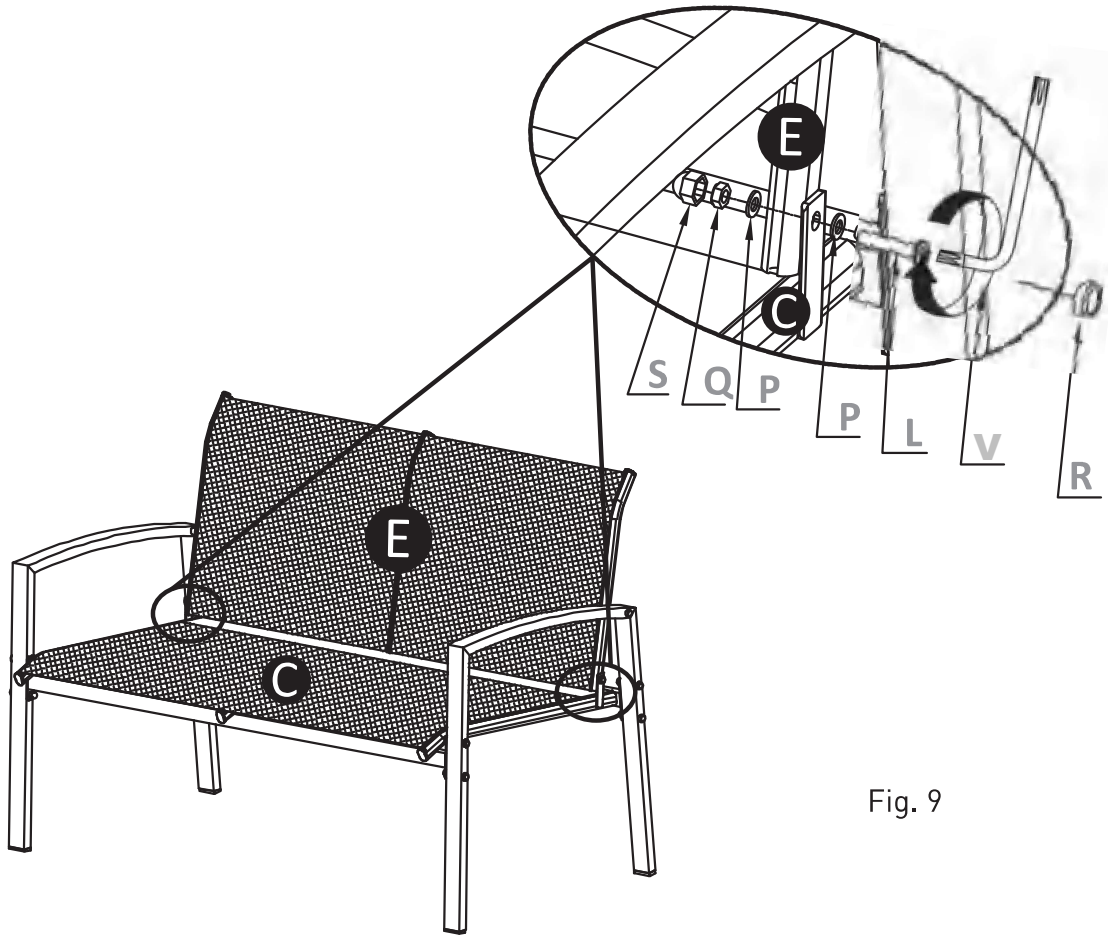
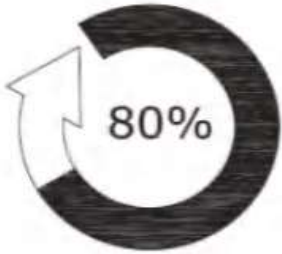


Fig. 9

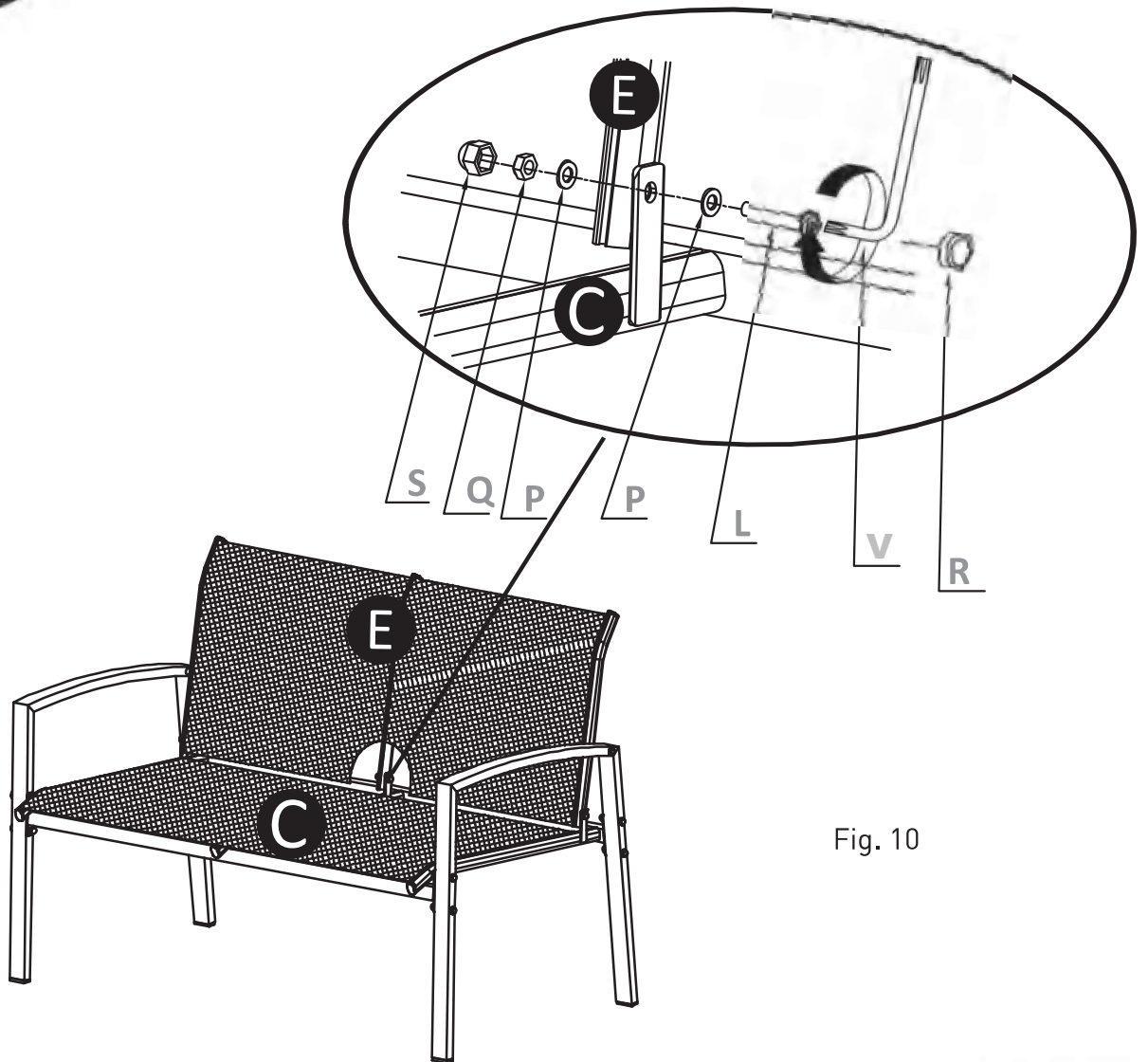


Fig. 10



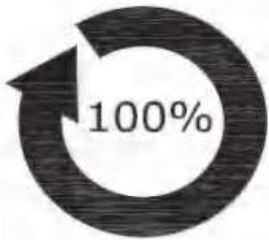
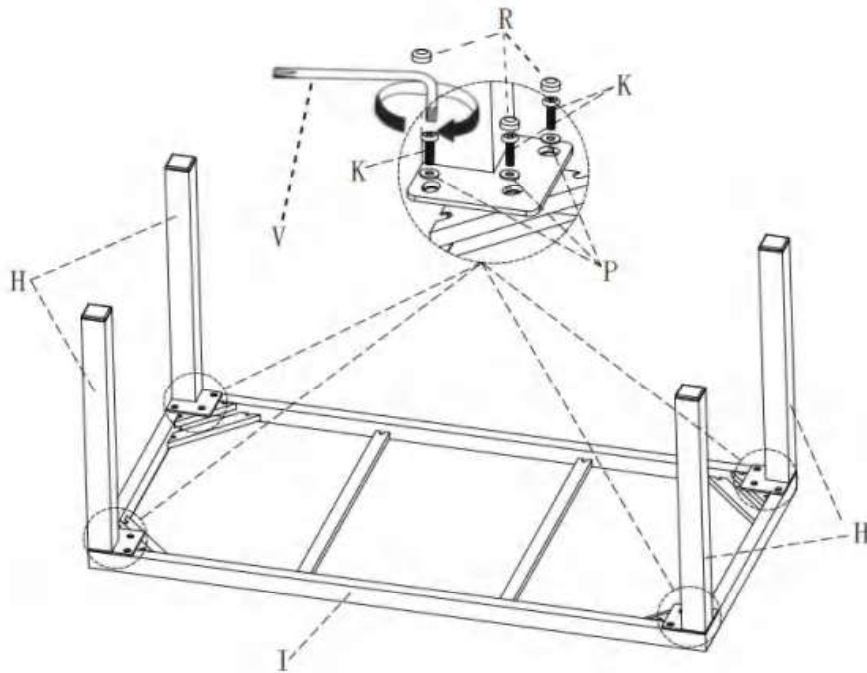
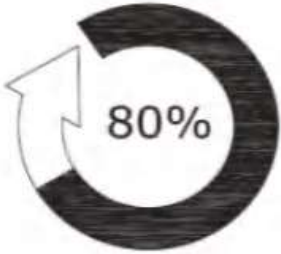


Fig. 11



