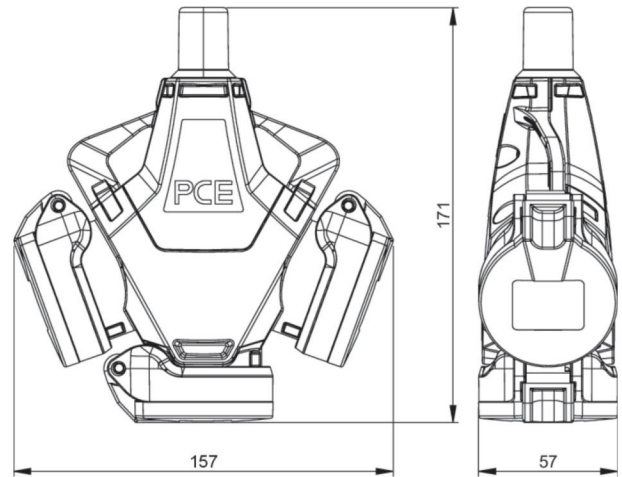


article#	253722-sr
article description	3-way connector Taurus2 solid rubber hinged lid nat IP54 red
description long	3-way connector Taurus2 solid rubber with hinged lid color housing/terminal-cover: black/red contact carrier: TPE ready wired on 3-pole terminal block (PH1) earthing system: Austrian/German (type F - with earth lug) contacts: nickel plated 250V~ / 16A / 2P+E internal strain relief with cable clamp and bend protection sleeve for serve conditions protection rating: IP54
GTIN (EAN)	9003399619618
country of origin	AT
customs number	85366990
net weight	0.377 kg
packaging quantity	5
minimum order quantity	5

ETIM 9.0	EC001327
Model	Coupler CEE 7/3 (Typ F)
Material	Full rubber
For heavy conditions according to VDE	True
Degree of protection (IP)	IP54
Insert direction	Straight
Connection system	Screwed terminal
Colour	Red
Number of poles	3
Nominal voltage	250 V
Nominal current	16 A

K (cable Ø)	6-13 mm
wire flexible	1-2,5 mm ²
contact screws	50 Ncm
housing screws	160 Ncm
strain relief	80 Ncm
dismantling length	30 mm
stripping length	7 mm
ambient temperature	-25 – 40 °C







<https://www.pcelectric.at/shop/en/?func=detail&artnr=253722-sr>