

ATWB30 ATWB50 ATWB80 ATWB100

ADMIRAL[®]

User's manual

Table of contents

Precautions	1
Product Description	3
Electrical Schematic Diagram	5
Product Specification	5
List Of Accessories	6
Installation Notes	6
Instructions	10
Maintenance	11
Troubleshooting Guide	12

Precautions

- The water heater which is used in situation It must be earthed and must be connected with the independent single-press three-plug connector which is also well earthed!
 - The water heater which is used for the first time must be filled up with water before you switch on the current.
 - The safety valve of our company which is attached with the water heater must be installed on the inlet pipe of the water heater!
 - If the temperature of the water you set is over 50 °C ,it may burn your body ,so it must be mixed with cold water before use .
 - This appliance is not intended for use by persons (including children) with reduced physical, sensory or mental capabilities, or lack of experience and knowledge, unless they have been given supervision or instruction concerning use of the appliance by a person responsible for their safety.
 - Children should be supervised to ensure that they do not play with the appliance.
 - This appliance can be used by children aged from 8 years and above and persons with reduced physical, sensory or mental capabilities or lack of experience and knowledge if they have been given supervision or instruction concerning use of the appliance in a safe way and understand the hazards involved. Children shall not play with the appliance. Cleaning and user maintenance shall not be made by children without supervision.
 - Please don't make the spray-head towards human body when you open or close the valve or adjust the temperature of the water to avoid being burnt by a little stream of hot water.
 - The temperature of the pressure-relief vent of the safety valve is high , so it may scald your body!
 - Before using this product, the safety valve provided with the product must be installed at the water inlet of the electric water heater. The maximum inlet water pressure is 0.8MPa and the minimum inlet water pressure is 0.02MPa.
 - The safety valve should be regularly checked for its effectiveness to ensure that calcium carbonate deposits are removed and that they are not blocked.
 - If the power cord is damaged, in order to avoid danger, it must be replaced by the full-time personnel of the manufacturer or after-sales department.
- The water may drip from the discharge pipe of the safety valve and that this pipe must be left open to the atmosphere. The discharge pipe connected to the pressure-relief device is to be installed in a continuously downward direction and in a frost-free environment.
- It is necessary to allow the plug accessible to disconnect the appliance from the supply after installation.
 - The appliance is intended to be permanently connected to the water mains and not connected by a hose-set.

- Before use, make sure that the electric water heater is installed correctly and completely. When using it for the first time or after emptying it, the electric water heater must be filled with water before it is allowed to connect to the power supply. Do not use this product when there is no water supplied to the electric water heater.

- The electric water heater must be properly and reliably grounded.
- Before installation or use, you must read and understand the instructions and safety warnings. If you do not follow the instructions and safety warnings, it may cause serious injury or death.

- Make sure that the power supply matches the rated power and rated frequency. Make sure the power plug is not damaged to prevent the risk of electric shock.

- In order to prevent the danger caused by the wrong reset of the temperature limiter, do not connect this device through any external switching device (such as timer or circuit device controlled by public facilities)

Ensure that the safety valve is always in working condition to prevent pressure accumulation, prevent the backflow of water entering the electric water heater and discharge excess pressure when the inner pressure of the electric water heater is high, so as to ensure the life of the inner tank and avoid the occurrence of bursting accidents.

During the heating period, the pressure relief port of the safety valve may drop water droplets. This is a normal phenomenon. Do not block the pressure relief port due to this, so as to avoid serious safety accidents caused by the failure of the electric water heater to relieve pressure.

- If the water pressure of the tap water used by the user is too high, the pressure relief port of the safety valve may frequently release the pressure and discharge water. At this time, a pressure reducing valve should be installed on the water inlet pipe, and the pressure reducing valve should be installed in a place away from the water heater.

- Too high water temperature can cause serious burns and scalds.

- Before repairing or checking the electric water heater, make sure the power is cut off.

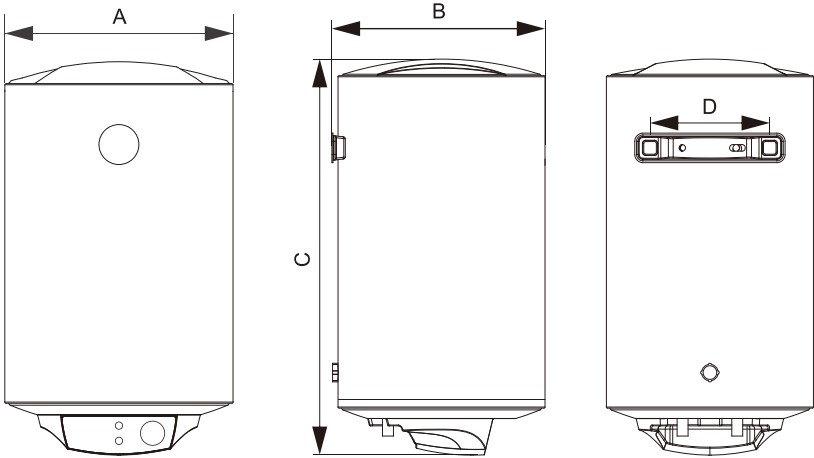
- The instruction manual must be placed next to or near the device for future reference.

- The method of emptying the water in the inner tank: Make sure to unplug the power plug and let the water temperature in the tank drop to the natural temperature, or turn the mixing valve to the state of hot water and let cold water enter the inner tank until the water temperature drops to natural temperature. Close the water inlet valve, remove the water inlet pipe and safety valve, turn the mixing valve to the hot water state, or remove the water outlet pipe, and then the water in the inner tank can be discharged from the water inlet pipe.

Warning: Be careful not to touch the water discharged from the water outlet to avoid scalding from the residual hot water.

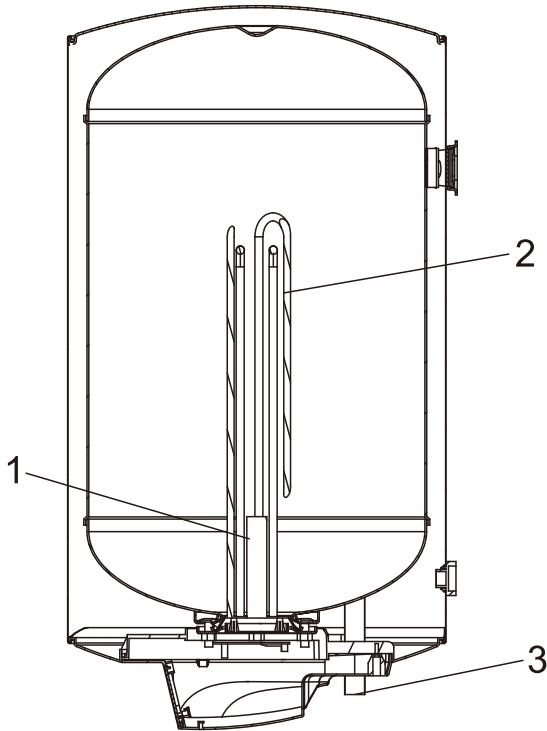
Product Description

Product Size and Bracket Size



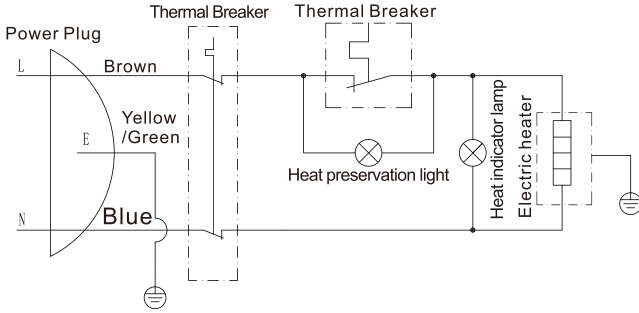
NUMBER	ATWB30	ATWB50	ATWB80	ATWB100
A(mm)	Φ340	Φ380	Φ450	Φ450
B(mm)	365	405	475	475
C(mm)	567	696	757	895
D(mm)	220	220	220	220

Note: The allowable error range of the above parameters is $\pm 10\%$.



- 1. Magnesium anode
- 2. Heating element
- 3. Water inlet/outlet

Electrical Schematic Diagram



Product Specification

Project	Unit	ATWB30	ATWB50	ATWB80	ATWB100
Rated voltage	V	220-240~	220-240~	220-240~	220-240~
Rated frequency	Hz	50/60	50/60	50/60	50/60
Preset pressure	MPa	0.8	0.8	0.8	0.8
Maximum power	W	1500	1500	1500	1500
Maximum temperature	° C	75	75	75	75
Waterproof level	/	IPX4	IPX4	IPX4	IPX4

List Of Accessories

Spare part Lift	Electric water heater (unit)	Safety valve (pcs)	Relief hose of safety valve (pcs)	Gasket	Manual (this)	Expansion bolt
ATWB30	1	1	1	2	1	2
ATWB50	1	1	1	2	1	2
ATWB80	1	1	1	2	1	2
ATWB100	1	1	1	2	1	2

Installation Notes

1. Installation precautions

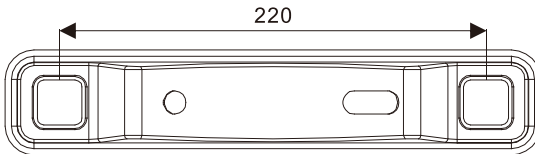
1. The installer must install in strict accordance with the national standard "Electric Water Heater Installation Specifications"!
2. It is strictly forbidden for users to install electric water heaters by themselves! When installing, please contact the local dealer or the after-sales department of the company to arrange for professionals with qualifications for electric water heater installation.
3. When installing the electric water heater, the grounding must be absolutely guaranteed! For those that do not meet the installation requirements of electric water heaters, the installer should clearly inform the user, explain the reasons and put forward rectification suggestions. The user should ask professionals to eliminate the safety hazard before installation. For those that cannot be rectified, the installation should be refused!
4. This product should be installed indoors, avoid direct sunlight, and the ambient temperature is above 0 °C; avoid places where flammable gas leaks or environments with strong corrosive gases; avoid places with strong electromagnetic field interference; try to avoid Places prone to vibration; try to shorten the connection length between the water heater and the water intake point.
5. Assemble the safety valve in the accessories during installation! The drain hose connected to the pressure relief port of the safety valve should be continuously inclined downward and kept open to the atmosphere. The drain hose and safety valve should be installed in a frost-free environment to avoid ice blockage. There should be a well-drained floor drain near the drain hose to avoid water accumulation.
6. The method is: lift the handle of the safety valve up to see if there is water flowing out of the drain hose. If the pressure relief function is normal, the water will flow out of the drain hose, otherwise the pressure relief is not normal. When abnormal pressure relief occurs, stop using this product and contact the after-sales department for processing.

7. Before installation, check whether the wall on which the electric water heater is installed is firm. There should be no pre-buried cables in the wall. It is strictly forbidden to install the electric water heater on a hollow wall. The bearing capacity of the wall should not be lower than 4 times the mass of the electric water heater after it is filled with water, and the installation position should ensure that there is at least a 30 cm wide space on the right side of the electric water heater.

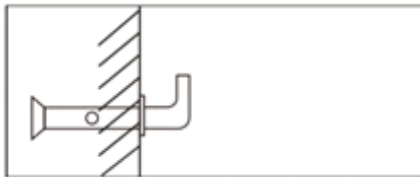
8. The power socket must be installed in a place that is not exposed to water or out of reach of children.

2. Installation steps

1. Use a power drill to make the $\Phi 16$ holes to a depth of at least 90 mm in the wall. These holes must be level on the same line.



2. Insert two wall plugs in the hole, screw in the screw hooks and place them facing upwards, then raise the electric heater and aim for the hooks, fasten it firmly into position and check the wall plugs are not loose to ensure that the electric heater is firmly mounted.



3. Connect the water heater intake and outlet with pipes or accessories that are able to withstand temperatures over 100°C at a pressure that exceeds working pressure (0.8MPa). Therefore, we strongly recommend that no materials should be used that cannot withstand high temperatures.

4. When fitting the water pipes follow the basic rules to prevent corrosion: "Do not use copper before iron or steel in the direction of the water flow".

Ants to supply hot water in multiple places, please refer to (Figure4) for pipeline connection and installation.

Note: When installing the safety valve, be sure to recognize the water flow direction sign on the safety valve and install it correctly, and tighten the upper and lower installation nuts to avoid water leakage. After installation, lift the handle (Figure 5) , check whether the safety valve is normal, and then reset.

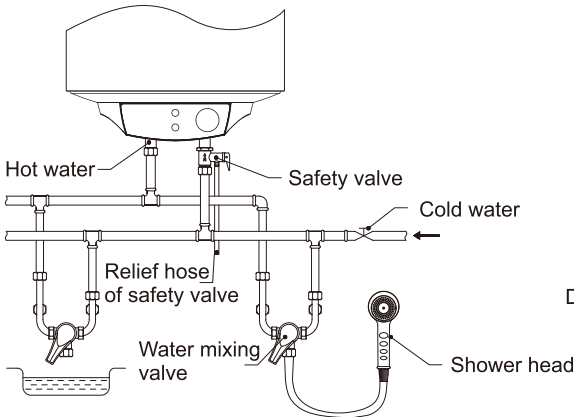


Figure 4

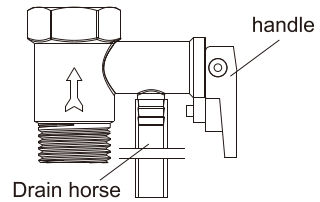
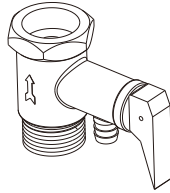


Figure 5

3. Pipe connection


1. Electric water heaters should be installed on the correct size pipes and fittings and should be clean.
2. The specification of the water inlet pipe of this product is G1/2", and the threaded port needs to be sealed with a sealing waterproof tape or a sealing ring.
3. In order to facilitate the installation and disassembly of the water heater, it is recommended to install G1/2 unions at the appropriate positions of the water heater inlet and outlet pipes. Determine the location of the water supply, connect the water inlet pipe and the tap water pipe to the water source respectively, fill the inner tank with water, and check whether the waterway leaks. If there is water leakage, it must be reconnected
4. Install the safety valve with a rated pressure of 0.8MPa (its interface is G1/2) on the water inlet pipe in the direction of the arrow on the safety valve (the arrow points to the water heater). When the water heater is energized and heated, the water in the water tank

is heated and expanded. In order to reduce the water pressure in the tank, a small amount of water droplets will flow out from the pressure relief hole of the safety valve. The pressure relief hole should be kept open to atmosphere and must not be blocked.



5. Installation method of the safety valve drain pipe: screw one end of the drain pipe to the safety valve. On the pressure relief hole, the drain pipe can be shortened or lengthened according to the actual situation, and the other end of the drain pipe is connected to the sewer mouth, so as to avoid dripping water from splashing the room when the pressure is released.

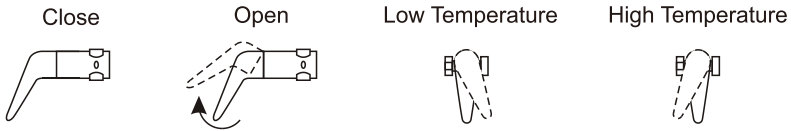
4. Power connection

1. Electrical connections and wiring should be made by an experienced and qualified electrician.
2. All wiring must comply with local regulations.
3. The storage-type electric water heater requires a power supply of 220-240V to single-phase 16A .
4. Connect the power supply to the connector that provides the power supply to supply power to the storage-type electric water heater. Make sure the ground terminal is firmly connected to the ground connection.
5. The ground wire must be green and it must be connected to  the terminal with the ground wire symbol.
6. All wires must be properly connected and covered with wire ducts.

Instructions

Preparation before use

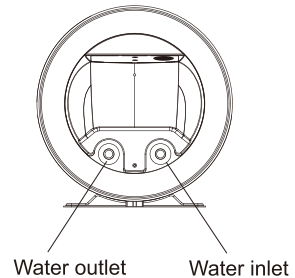
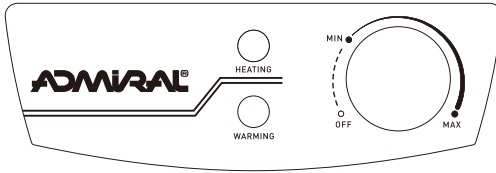
1. Water injection: Open the water mixing valve, lift the handle of the mixing valve, turn it clockwise to the highest point in the high temperature area, and then open the water inlet valve. At this time, water will be injected into the inner tank until the hot water outlet is normal. At this time Indicates that the inner tank has been filled with water, close the water mixing valve, and turn the handle counterclockwise to the lowest point in the low temperature zone.



2. When the water temperature reaches the set temperature, the heating indicator on the panel will turn green, and the water heater will automatically stop heating. The water temperature has reached the set temperature and enters the heat preservation state. At this time, the user can turn on the switch of the mixing valve and slowly turn from the low temperature zone to the heat preservation state. Rotate the handle of the mixing valve in the high temperature area, carefully test the water temperature with your hands, adjust it to the water temperature you need, and then you can use it with confidence. When the water temperature drops to a certain temperature, the water heater will automatically reheat.

Note: the water temperature may be slightly higher, please test the water temperature before use, do not test the water temperature on the human body, so as to avoid burns!

Function Description



1. Insert the supply plug into the supply socket, and switch ON. Adjust the temperature controller suitably the HEATING indicator will light up.
2. The temperature controller will automatically control the temperature. When the temperature inside the heater has reached the set temperature, it will switch off automatically, when the water temperature falls below the set point the heater will be turned on automatically to restore the heating. When the heater is switched off automatically, the heating indicator will switch off.

Maintenance

1. Before cleaning the surface of the electric water heater, make sure that the water heater is disconnected from the power supply. When cleaning, use a damp towel dipped in a little neutral detergent to gently wipe the surface of the product, and then dry it with a dry towel. Do not spray directly with water, and do not use gasoline, polishing powder and other volatile substances or strong acid and strong alkaline cleaners for cleaning.
2. When the electric water heater is not used for a long time, please disconnect the power supply, unplug the power plug, and drain the water in the inner tank.
3. Regularly (about one year) clean the scale on the electric heating tube and the sediment in the inner tank. In areas with hard water, users can install an anti-scaling device at the front end of the water inlet pipe. Regular replacement of magnesium rods according to local water quality conditions. Please contact the local dealer or after-sales department for the assistance of professional technicians.

Troubleshooting Guide

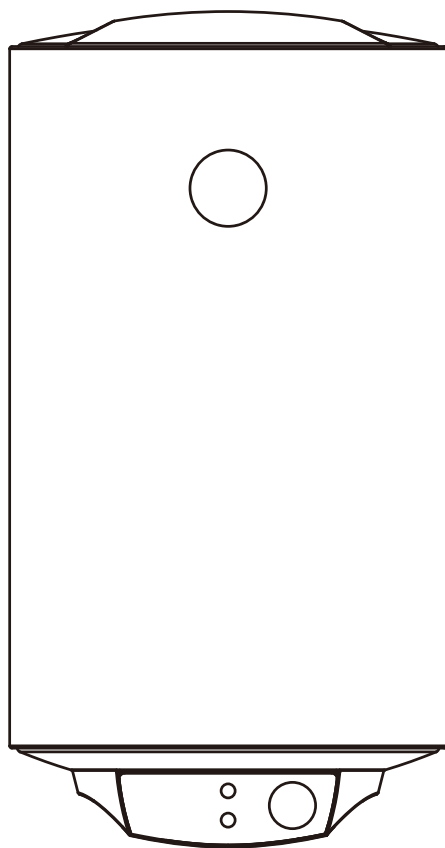
Question	Reason	Solution
The heating indicator light is off	Failures of the temperature controller	Contact the customer care center.
Water not flowing out of the hot water outlet	1. The water supply is cut off.	1.wait for restoration of the water supply.
	2. The water pressure is too low.	2.Use the heater when the water pressure is appropriate.
	3. The inlet valve of water supply is not open.	3.Open the inlet valve of water supply.
The water temperature is too high	Failure of the temperature control system.	Contact the customer care center.
Water leakage	Problem of the seal at pipe joints.	Contact the customer care center.

Note: If your electric water heater is abnormal and cannot be used normally, please check it according to "Troubleshooting". If the above fault is the problem of the electric water heater itself, it must be repaired by professionals.



ADMIRAL®

**S T O R A G E
W A T E R H E A T E R S**



ATWB30 ATWB50 ATWB80 ATWB100

ADMIRAL[®]

Manual do Usuário

Tabela de conteúdo

Precauções	1
Descrição do Produto	3
Diagrama Esquemático Elétrico	5
Especificação do Produto	5
Lista de Acessórios	6
Notas de Instalação	6
Instruções	10
Manutenção	11
Guia de Solução de Problemas	12

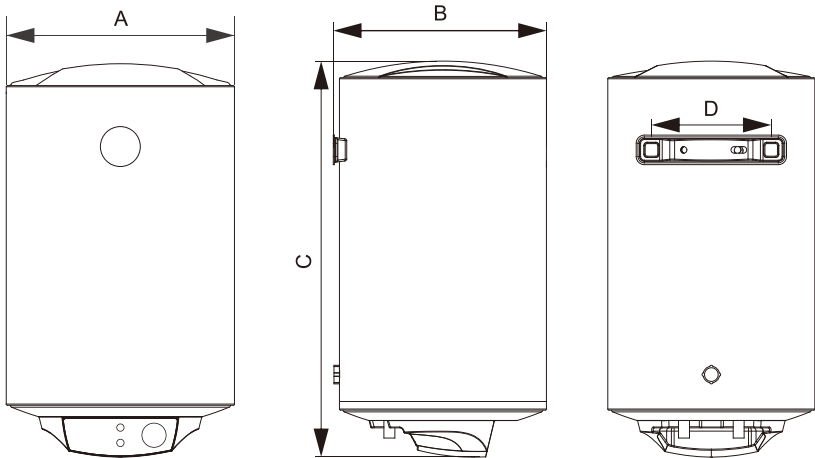
Precauções

- O aquecedor de água deve ser aterrado e conectado a um conector independente de três pinos, também devidamente aterrado!
- O aquecedor de água, quando usado pela primeira vez, deve ser completamente enchido com água antes de ligar a corrente.
- A válvula de segurança fornecida por nossa empresa, que acompanha o aquecedor de água, deve ser instalada na tubulação de entrada do aquecedor!
- Se a temperatura da água ajustada exceder 50°C , pode causar queimaduras, portanto, deve ser misturada com água fria antes do uso.
- Este aparelho não é destinado ao uso por pessoas (incluindo crianças) com capacidades físicas, sensoriais ou mentais reduzidas, ou falta de experiência e conhecimento, a menos que tenham recebido supervisão ou instruções sobre o uso do aparelho por uma pessoa responsável por sua segurança.
- As crianças devem ser supervisionadas para garantir que não brinquem com o aparelho.
- Este aparelho pode ser utilizado por crianças a partir de 8 anos e por pessoas com capacidades físicas, sensoriais ou mentais reduzidas ou falta de experiência e conhecimento, se tiverem recebido supervisão ou instruções sobre o uso seguro do aparelho e compreenderem os perigos envolvidos. As crianças não devem brincar com o aparelho. A limpeza e manutenção não devem ser realizadas por crianças sem supervisão.
- Por favor, não direcione a cabeça de pulverização para o corpo humano ao abrir ou fechar a válvula ou ajustar a temperatura da água, para evitar queimaduras por um pequeno jato de água quente.
- A temperatura do duto de alívio de pressão da válvula de segurança é alta, podendo escaldar a pele!
- Antes de usar este produto, a válvula de segurança fornecida deve ser instalada na entrada de água do aquecedor elétrico de água. A pressão máxima de entrada de água é de 0,8 MPa e a mínima é de 0,02 MPa.
- A válvula de segurança deve ser verificada regularmente quanto à sua eficácia para garantir que os depósitos de carbonato de cálcio sejam removidos e que não estejam obstruídos.
- Se o cabo de alimentação estiver danificado, para evitar perigo, deve ser substituído pelo pessoal da fabricante ou pelo departamento de pós-venda.
- Pode ocorrer gotejamento da tubulação de descarga da válvula de segurança, e esta tubulação deve permanecer aberta para a atmosfera. A tubulação de descarga conectada ao dispositivo de alívio de pressão deve ser instalada em direção contínua para baixo e em ambiente livre de geadas.
- É necessário permitir acesso ao plugue para desconectar o aparelho da fonte de alimentação após a instalação.
- O aparelho deve ser permanentemente conectado à rede de água e não por meio de uma mangueira.

- Antes de usar, certifique-se de que o aquecedor elétrico de água esteja corretamente instalado e completo. Quando usado pela primeira vez ou após ser esvaziado, o aquecedor de água deve ser preenchido com água antes de ser conectado à fonte de energia. Não utilize este produto quando não houver água fornecida ao aquecedor elétrico de água.
- O aquecedor elétrico de água deve ser devidamente e confiavelmente aterrado.
- Antes da instalação ou uso, você deve ler e entender as instruções e avisos de segurança. Se não seguir as instruções e avisos de segurança, isso pode causar ferimentos graves ou morte.
- Certifique-se de que a fonte de alimentação corresponda à potência nominal e à frequência nominal. Certifique-se de que o plugue de energia não esteja danificado para prevenir o risco de choque elétrico.
- Para prevenir o perigo causado pelo reajuste incorreto do limitador de temperatura, não conecte este dispositivo através de nenhum dispositivo de comutação externo (como temporizador ou dispositivo de circuito controlado por instalações públicas).
- Garanta que a válvula de segurança esteja sempre em condição de funcionamento para evitar o acúmulo de pressão, prevenir o refluxo de água que entra no aquecedor elétrico de água e descarregar o excesso de pressão quando a pressão interna do aquecedor elétrico de água estiver alta, a fim de assegurar a vida útil do tanque interno e evitar a ocorrência de acidentes de ruptura.
- Durante o período de aquecimento, a porta de alívio de pressão da válvula de segurança pode soltar gotas de água. Isso é um fenômeno normal. Não bloqueie a porta de alívio de pressão por causa disso, para evitar acidentes graves de segurança causados pela falha do aquecedor elétrico de água em aliviar a pressão.
- Se a pressão da água da torneira usada pelo usuário for muito alta, a porta de alívio de pressão da válvula de segurança pode liberar frequentemente a pressão e descarregar água. Neste caso, uma válvula redutora de pressão deve ser instalada na tubulação de entrada de água, e a válvula redutora de pressão deve ser instalada em um local afastado do aquecedor de água.
- Temperaturas elevadas da água podem causar queimaduras e escaldaduras graves.
- Antes de reparar ou verificar o aquecedor elétrico de água, certifique-se de que a energia está desligada.
- O manual de instruções deve ser colocado ao lado ou próximo ao dispositivo para referência futura.
- Método para esvaziar a água do tanque interno: Certifique-se de desligar o plugue de energia e deixe a temperatura da água no tanque baixar até a temperatura natural, ou vire a válvula de mistura para o estado de água quente e deixe a água fria entrar no tanque interno até que a temperatura da água baixe até a temperatura natural. Feche a válvula de entrada de água, remova a tubulação de entrada de água e a válvula de segurança, vire a válvula de mistura para o estado de água quente, ou remova a tubulação de saída de água, e então a água no tanque interno pode ser descarregada pela tubulação de entrada de água. Aviso: Tenha cuidado para não tocar na água descarregada pela tubulação de saída para evitar escaldaduras pela água quente residual.

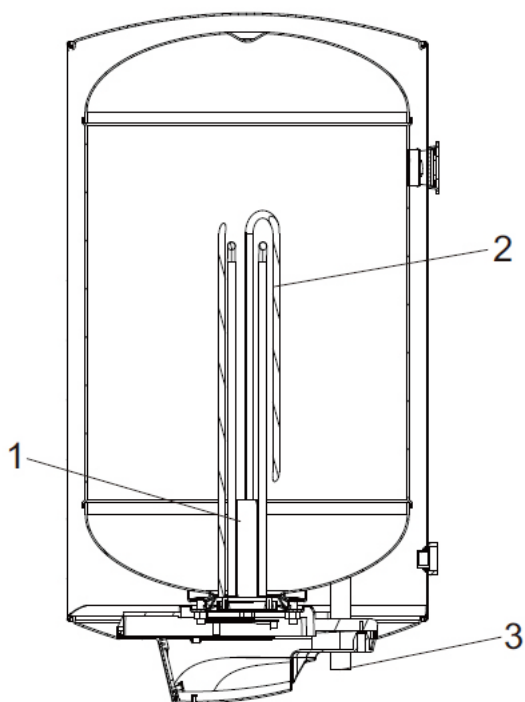
Descrição do Produto

Tamanho do Produto e Tamanho do Suporte



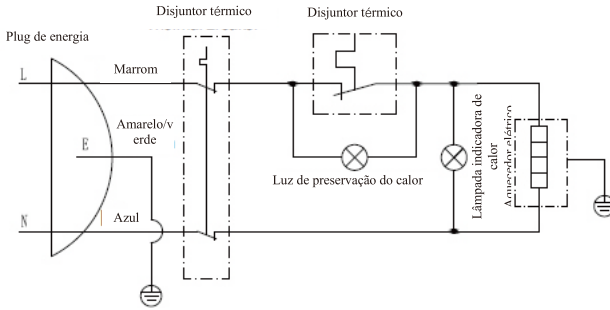
NÚMERO	ATWB30	ATWB50	ATWB80	ATWB100
A(mm)	Φ340	Φ380	Φ450	Φ450
B(mm)	365	405	475	475
C(mm)	567	696	757	895
D(mm)	220	220	220	220

Nota: A margem de erro permitida para os parâmetros acima é de $\pm 10\%$.



1. Ânodo de magnésio
2. Elemento aquecedor
3. Entrada/saída de água

Diagrama Esquemático Elétrico



Especificação do Produto

Projeto	Unidade	ATWB30	ATWB50	ATWB80	ATWB100
Tensão nominal	V	220-240~	220-240~	220-240~	220-240~
Frequência nominal	Hz	50/60	50/60	50/60	50/60
Pressão pré-ajustada	MPa	0.8	0.8	0.8	0.8
Potência máxima	W	1500	1500	1500	1500
Temperatura máxima	°C	75	75	75	75
Nível de impermeabilização	/	IPX4	IPX4	IPX4	IPX4

Lista de Acessórios

Peça sobressalente Elevação	Aquecedor de água elétrico (unidade)	Válvula de segurança (peças)	Mangueira de alívio da válvula de segurança (peças)	Junta	Manual (este)	Bucha de expansão (peças)
ATWB30	1	1	1	2	1	2
ATWB50	1	1	1	2	1	2
ATWB80	1	1	1	2	1	2
ATWB100	1	1	1	2	1	2

Notas de Instalação

1. Precauções de instalação

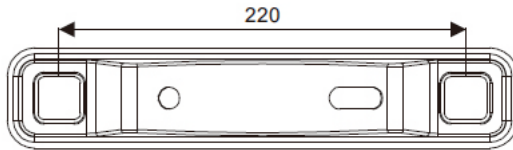
- O instalador deve instalar em estrita conformidade com a norma nacional "Especificações de Instalação de Aquecedor de Água Elétrico"!
- É estritamente proibido aos usuários instalar aquecedores de água elétricos por si mesmos! Ao instalar, por favor contate o revendedor local ou o departamento de pós-venda da empresa para organizar profissionais qualificados para a instalação de aquecedores de água elétricos.
- Ao instalar o aquecedor de água elétrico, o aterramento deve ser absolutamente garantido! Para aqueles que não atendem aos requisitos de instalação de aquecedores de água elétricos, o instalador deve informar claramente ao usuário, explicar os motivos e apresentar sugestões de retificação. O usuário deve solicitar a profissionais que eliminem o risco de segurança antes da instalação. Para aqueles que não podem ser corrigidos, a instalação deve ser recusada!
- Este produto deve ser instalado em ambientes internos, evitar luz solar direta, e a temperatura ambiente deve ser superior a 0 ° C; evitar locais onde haja vazamento de gás inflamável ou ambientes com gases corrosivos fortes; evitar locais com interferência de campo eletromagnético forte; tentar evitar locais propensos a vibrações; tentar encurtar o comprimento da conexão entre o aquecedor de água e o ponto de entrada de água.
- Monte a válvula de segurança nos acessórios durante a instalação! A mangueira de drenagem conectada ao porto de alívio de pressão da válvula de segurança deve ser continuamente inclinada para baixo e mantida aberta para a atmosfera. A mangueira de drenagem e a válvula de segurança devem ser instaladas em um ambiente livre de gelo para evitar o bloqueio por gelo. Deve haver um ralo bem drenado próximo à mangueira de drenagem para evitar acúmulo de água.
- O método é: levante a alça da válvula de segurança para ver se há água fluindo da mangueira de drenagem. Se a função de alívio de pressão estiver normal, a água fluirá pela mangueira de drenagem, caso contrário, o alívio de pressão não está normal. Quando ocorrer alívio de pressão anormal, pare de usar este produto e entre em contato com o departamento de pós-venda para processamento.

7. Antes da instalação, verifique se a parede na qual o aquecedor de água elétrico será instalado é firme. Não deve haver cabos embutidos na parede. É estritamente proibido instalar o aquecedor de água elétrico em uma parede oca. A capacidade de carga da parede não deve ser inferior a 4 vezes a massa do aquecedor de água elétrico quando cheio de água, e a posição de instalação deve garantir que haja pelo menos um espaço de 30 cm de largura no lado direito do aquecedor de água elétrico.

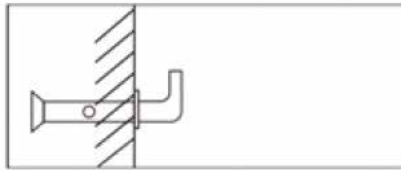
8. A tomada de energia deve ser instalada em um local que não esteja exposto à água ou fora do alcance das crianças.

2. Etapas de Instalação

1. Use uma furadeira elétrica para fazer furos Ø16 com profundidade de pelo menos 90 mm na parede. Esses furos devem estar nivelados na mesma linha.



2. Insira dois buchas na parede, aparafuse os ganchos e posicione-os para cima, em seguida, levante o aquecedor elétrico e direcione para os ganchos, fixe-o firmemente na posição e verifique se as buchas não estão soltas para garantir que o aquecedor esteja firmemente montado.



3. Conecte a entrada e a saída de água do aquecedor com tubos ou acessórios capazes de suportar temperaturas acima de 100° C e uma pressão que exceda a pressão de trabalho (0.8MPa). Portanto, recomendamos fortemente que não sejam utilizados materiais que não resistam a altas temperaturas.

4. Ao instalar os tubos de água, siga as regras básicas para prevenir corrosão: "Não use cobre antes de ferro ou aço na direção do fluxo de água".

Para fornecer água quente em vários locais, consulte a (Figura 4) para conexão de tubulação e instalação.

Nota: Ao instalar a válvula de segurança, certifique-se de reconhecer o sinal de direção do fluxo de água na válvula de segurança e instale corretamente, e aperte as porcas de instalação superior e inferior para evitar vazamentos de água. Após a instalação, levante a alça (Figura 5), verifique se a válvula de segurança está normal e, em seguida, redefina.

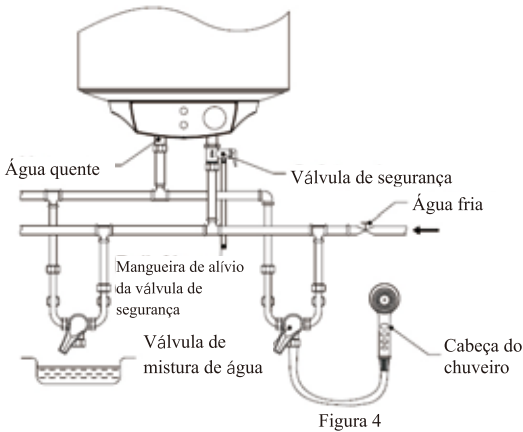


Figura 4

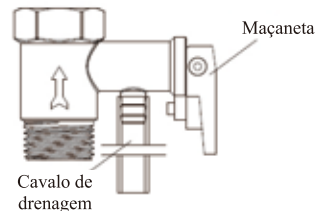


Figura 5


3. Conexão de Tubulação

1. Aquecedores de água elétricos devem ser instalados em tubos e conexões do tamanho correto e devem estar limpos.
2. A especificação do tubo de entrada de água deste produto é G1/2", e o orifício roscado precisa ser selado com fita impermeável ou anel de vedação.
3. Para facilitar a instalação e desmontagem do aquecedor de água, é recomendável instalar uniões G1/2 nas posições apropriadas dos tubos de entrada e saída de água do aquecedor. Determine o local do fornecimento de água, conecte o tubo de entrada de água e o tubo de água potável à fonte de água respectivamente, encha o tanque interno com água e verifique se há vazamentos na água. Se houver vazamento de água, deve ser reconectado.
4. Instale a válvula de segurança com uma pressão nominal de 0.8MPa (sua interface é G1/2) no tubo de entrada de água na direção da seta na válvula de segurança (a seta aponta para o aquecedor de água). Quando o aquecedor de água é energizado e aquecido, a água no tanque é aquecida e expandida. Para reduzir a pressão da água no tanque, uma pequena quantidade de gotas de água fluirá para fora do orifício de alívio de pressão da válvula de segurança. O orifício de alívio de pressão deve ser mantido aberto para a atmosfera e não deve ser bloqueado.



5. Installation method of the safety valve drain pipe: screw one end of the drain pipe to the safety valve. On the pressure relief hole, the drain pipe can be shortened or lengthened according to the actual situation, and the other end of the drain pipe is connected to the sewer mouth, so as to avoid dripping water from splashing the room when the pressure is released.

4. Conexão de Energia

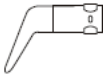
1. Conexões elétricas e cabeamento devem ser feitos por um electricista experiente e qualificado.
2. Toda a fiação deve estar em conformidade com os regulamentos locais.
3. O aquecedor de água elétrico de armazenamento requer uma fonte de energia de 220-240V para monofásico 16A.
4. Conecte a fonte de energia ao conector que fornece energia para alimentar o aquecedor de água elétrico de armazenamento. Certifique-se de que o terminal de terra está firmemente conectado à conexão de terra.
5. O fio de terra deve ser verde e deve estar conectado ao terminal  com o símbolo do fio de terra.
6. Todos os fios devem ser devidamente conectados e cobertos com dutos de fios.

Instruções

Preparação antes do uso

1. Injeção de água: Abra a válvula de mistura de água, levante a alça da válvula de mistura, gire no sentido horário até o ponto mais alto na zona de alta temperatura, e então abra a válvula de entrada de água. Neste momento, a água será injetada no tanque interno até que a saída de água quente esteja normal. Isso indica que o tanque interno está cheio de água, feche a válvula de mistura de água e gire a alça no sentido anti-horário até o ponto mais baixo na zona de baixa temperatura.

Fechar



Abrir



Baixa Temperatura



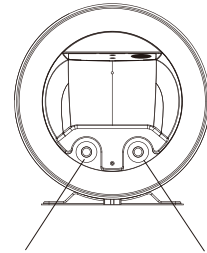
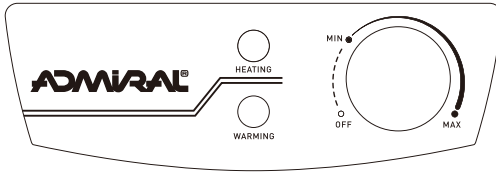
Alta Temperatura



2. Quando a temperatura da água atingir a temperatura ajustada, o indicador de aquecimento no painel ficará verde, e o aquecedor de água parará automaticamente de aquecer. A temperatura da água alcançou a temperatura ajustada e entra no estado de conservação de calor. Neste momento, o usuário pode ligar a válvula de mistura e girar lentamente da zona de baixa temperatura para o estado de conservação de calor. Gire a alça da válvula de mistura na zona de alta temperatura, teste cuidadosamente a temperatura da água com as mãos, ajuste para a temperatura da água que você precisa, e então você pode usá-la com confiança. Quando a temperatura da água cair para uma certa temperatura, o aquecedor de água será reaquecido automaticamente.

Nota: a temperatura da água pode estar ligeiramente mais alta, por favor, teste a temperatura da água antes de usar, não teste a temperatura da água no corpo humano, para evitar queimaduras!

Descrição da função



Saída de água

Entrada de água

1. Insira o plugue de alimentação na tomada de suprimento e ligue. Ajuste o controlador de temperatura adequadamente; o indicador de AQUECIMENTO acenderá.
2. O controlador de temperatura controlará automaticamente a temperatura. Quando a temperatura dentro do aquecedor atingir a temperatura definida, ele desligará automaticamente; quando a temperatura da água cair abaixo do ponto definido, o aquecedor será ligado automaticamente para restaurar o aquecimento. Quando o aquecedor desligar automaticamente, o indicador de aquecimento se apagará.

Manutenção

1. Antes de limpar a superfície do aquecedor de água elétrico, certifique-se de que o aquecedor esteja desconectado da fonte de energia. Ao limpar, use uma toalha úmida mergulhada em um pouco de detergente neutro para limpar suavemente a superfície do produto e, em seguida, seque-a com uma toalha seca. Não pulverize diretamente com água, e não use gasolina, pó de polimento e outras substâncias voláteis ou limpadores ácidos ou alcalinos fortes para limpeza.
2. Quando o aquecedor de água elétrico não for usado por um longo tempo, desconecte a fonte de energia, desplugue o plugue de energia e drene a água do tanque interno.
3. Limpe regularmente (cerca de um ano) a escala no tubo de aquecimento elétrico e o sedimento no tanque interno. Em áreas com água dura, os usuários podem instalar um dispositivo anti-incrustante na extremidade frontal do tubo de entrada de água. Substituição regular de hastes de magnésio de acordo com as condições locais da qualidade da água. Entre em contato com o revendedor local ou departamento pós-venda para a assistência de técnicos profissionais.

Guia de Solução de Problemas

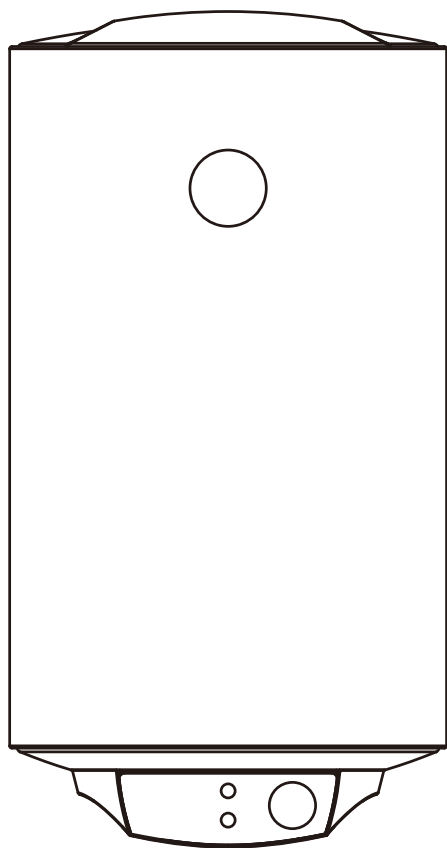
Pergunta	Motivo	Solução
A luz indicadora de aquecimento está apagada	Falhas do controlador de temperatura	Contate o centro de atendimento ao cliente.
Água não flui pela saída de água quente	1. O fornecimento de água está interrompido.	1. Aguarde a restauração do fornecimento de água.
A temperatura da água está muito alta	2. A pressão da água está muito baixa.	2. Use o aquecedor quando a pressão da água estiver adequada.
Vazamento de água	3. A válvula de entrada de água não está aberta.	3. Abra a válvula de entrada de água.
A luz indicadora de aquecimento está apagada	Falha no sistema de controle de temperatura.	Contate o centro de atendimento ao cliente.
Água não flui pela saída de água quente	Problema de vedação nas juntas dos canos.	Contate o centro de atendimento ao cliente.

Nota: Se o seu aquecedor de água elétrico estiver com funcionamento anormal e não puder ser usado normalmente, por favor, verifique-o de acordo com "Solução de Problemas". Se a falha mencionada for um problema do próprio aquecedor de água elétrico, ele deve ser reparado por profissionais.



ADMIRAL[®]

**AQUECEDORES DE ÁGUA
DE ARMAZENAMENTO**



ATWB30 ATWB50 ATWB80 ATWB100

ADMIRAL[®]

Manual del usuario

Índice

Precauciones	1
Descripción del Producto	3
Diagrama Esquemático Eléctrico	5
Especificación del Producto	5
Lista de Accesorios	6
Notas de Instalación	6
Instrucciones	10
Mantenimiento	11
Guía de Resolución de Problemas	12

Precauciones

- El calentador de agua que se utiliza en la situación debe estar conectado a tierra y debe conectarse con el conector independiente de tres enchufes de una sola presión que también está bien conectado a tierra.
- El calentador de agua que se utiliza por primera vez debe llenarse de agua antes de conectar la corriente.
- La válvula de seguridad de nuestra empresa que se adjunta con el calentador de agua debe instalarse en la tubería de entrada del calentador de agua.
- Si la temperatura del agua es superior a 50 °C, puede quemarle el cuerpo, por lo que debe mezclarla con agua fría antes de usarla.
- Este aparato no está destinado a ser utilizado por personas (incluidos niños) con capacidades físicas, sensoriales o mentales reducidas, o con falta de experiencia y conocimientos, a menos que hayan sido supervisadas o instruidas acerca del uso del aparato por una persona responsable de su seguridad.
- Los niños deben ser vigilados para evitar que jueguen con el aparato.
- Este aparato puede ser utilizado por niños a partir de 8 años y por personas con capacidades físicas, sensoriales o mentales reducidas o con falta de experiencia y conocimientos, si han recibido supervisión o instrucciones sobre el uso del aparato de forma segura y comprenden los peligros que conlleva. Los niños no deben jugar con el aparato. La limpieza y el mantenimiento no deben ser realizados por niños sin supervisión.
- Por favor, no acerque el cabezal rociador al cuerpo humano cuando abra o cierre la válvula ni ajuste la temperatura del agua para evitar quemaduras por un pequeño chorro de agua caliente.
- La temperatura del respiradero de alivio de presión de la válvula de seguridad es alta, por lo que puede quemarle el cuerpo.
- Antes de utilizar este producto, debe instalarse la válvula de seguridad suministrada con el producto en la entrada de agua del calentador de agua eléctrico. La presión máxima del agua de entrada es de 0,8 MPa y la presión mínima del agua de entrada es de 0,02 MPa.
- Debe comprobarse periódicamente la eficacia de la válvula de seguridad para asegurarse de que se eliminan los depósitos de carbonato cálcico y de que no está bloqueada.
- Si el cable de alimentación está dañado, para evitar peligros, debe ser sustituido por el personal a tiempo completo del fabricante o del servicio posventa.

El agua puede gotear del tubo de descarga de la válvula de seguridad y que este tubo debe dejarse abierto a la atmósfera. La tubería de descarga conectada al dispositivo de descarga de presión debe instalarse en dirección descendente continua y en un entorno libre de heladas.

- Es necesario dejar el enchufe accesible para desconectar el aparato de la red eléctrica después de la instalación.
- El aparato está destinado a ser conectado permanentemente a la red de agua y no mediante un juego de mangueras.

- Antes de utilizarlo, asegúrese de que el termo eléctrico esté instalado correcta y completamente. Cuando se utilice por primera vez o después de vaciarlo, el termo eléctrico debe llenarse de agua antes de conectarlo a la red eléctrica. No utilice este producto cuando no haya agua en el termo eléctrico.
- El calentador de agua eléctrico debe estar conectado a tierra de forma adecuada y fiable.
- Antes de la instalación o el uso, debe leer y comprender las instrucciones y advertencias de seguridad. Si no sigue las instrucciones y advertencias de seguridad, puede causar lesiones graves o la muerte.
- Asegúrese de que la fuente de alimentación coincide con la potencia nominal y la frecuencia nominal. Asegúrese de que el enchufe de alimentación no esté dañado para evitar el riesgo de descarga eléctrica.
- Para evitar el peligro causado por el restablecimiento incorrecto del limitador de temperatura, no conecte este dispositivo a través de ningún dispositivo de conmutación externo (como temporizador o dispositivo de circuito controlado por instalaciones públicas).

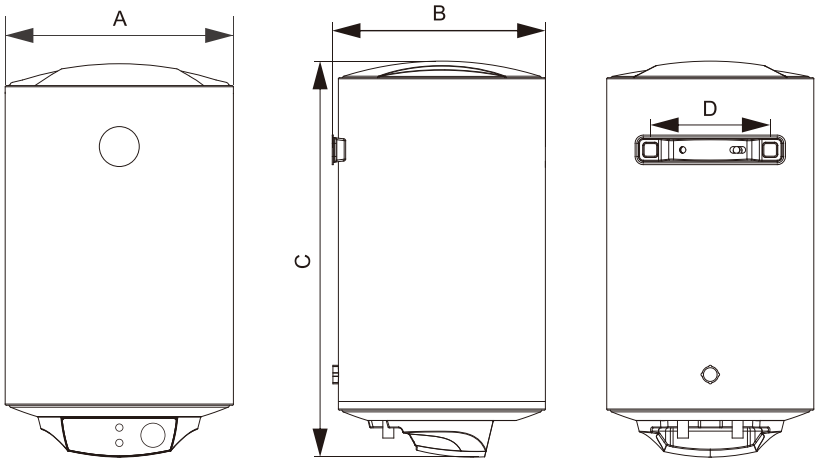
Asegúrese de que la válvula de seguridad esté siempre en condiciones de funcionamiento para evitar la acumulación de presión, impedir el reflujo del agua que entra en el calentador de agua eléctrico y descargar el exceso de presión cuando la presión interior del calentador de agua eléctrico es alta, a fin de garantizar la vida útil del depósito interior y evitar que se produzcan accidentes por rotura.

Durante el periodo de calentamiento, el puerto de alivio de presión de la válvula de seguridad puede dejar caer gotas de agua. Se trata de un fenómeno normal. No bloquee el puerto de alivio de presión debido a esto, a fin de evitar accidentes graves de seguridad causados por la falta de alivio de presión del calentador de agua eléctrico.

- Si la presión del agua del grifo utilizada por el usuario es demasiado alta, el puerto de alivio de presión de la válvula de seguridad puede liberar frecuentemente la presión y descargar agua. En ese momento, debe instalarse una válvula reductora de presión en la tubería de entrada de agua, y la válvula reductora de presión debe instalarse en un lugar alejado del calentador de agua.
- Una temperatura del agua demasiado alta puede provocar quemaduras y escaldaduras graves.
- Antes de reparar o revisar el calentador de agua eléctrico, asegúrese de que la corriente está cortada.
- El manual de instrucciones debe colocarse junto al aparato o cerca de él para poder consultarlo en el futuro.
- El método de vaciado del agua del depósito interior: Asegúrese de desenchufar la clavija de alimentación y deje que la temperatura del agua en el tanque baje a la temperatura natural, o gire la válvula mezcladora al estado de agua caliente y deje que el agua fría entre en el tanque interior hasta que la temperatura del agua baje, a la temperatura natural. Cierre la válvula de entrada de agua, retire la tubería de entrada de agua y la válvula de seguridad, gire la válvula mezcladora al estado de agua caliente, o retire la tubería de salida de agua, y entonces el agua del tanque interior puede ser descargada por la tubería de entrada de agua. Atención: Tenga cuidado de no tocar el agua descargada por la salida de agua para evitar quemaduras por el agua caliente residual.

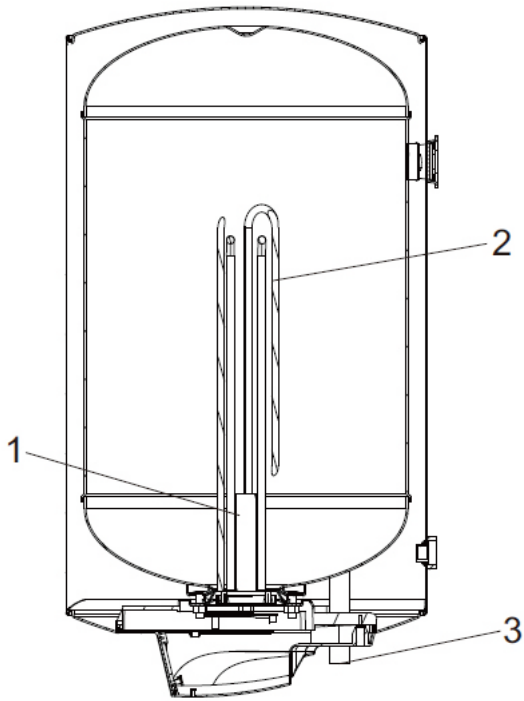
Descripción del Producto

Tamaño del Producto y Tamaño del Soporte



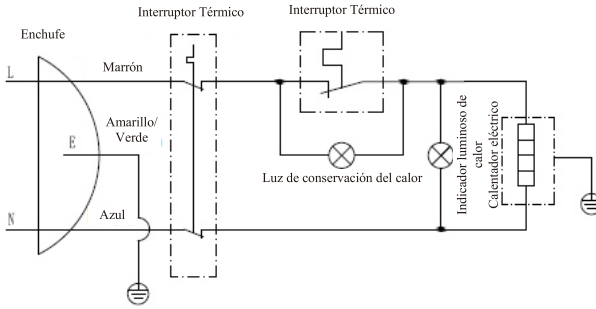
NÚMERO	ATWB30	ATWB50	ATWB80	ATWB100
A(mm)	Φ340	Φ380	Φ450	Φ450
B(mm)	365	405	475	475
C(mm)	567	696	757	895
D(mm)	220	220	220	220

Nota: El margen de error permitido de los parámetros anteriores es de $\pm 10\%$.



- 1.Ánodo de magnesio
- 2.Elemento calefactor
- 3.Entrada/salida de agua

Diagrama Esquemático Eléctrico



Especificación del Producto

Proyecto	Unidad	ATWB30	ATWB50	ATWB80	ATWB100
Tensión nominal	V	220-240~	220-240~	220-240~	220-240~
Frecuencia nominal	Hz	50/60	50/60	50/60	50/60
Presión preestablecida	MPa	0.8	0.8	0.8	0.8
Potencia máxima	W	1500	1500	1500	1500
Temperatura máxima	°C	75	75	75	75
Nivel de impermeabilidad	/	IPX4	IPX4	IPX4	IPX4

Lista de Accesorios

Pieza de recambio Ascensor	Calentador de agua eléctrico (unidad)	Válvula de seguridad (piezas)	Manguera de alivio de la válvula de seguridad (piezas)	Junta	Manual (esto)	Perno de expansión
ATWB30	1	1	1	2	1	2
ATWB50	1	1	1	2	1	2
ATWB80	1	1	1	2	1	2
ATWB100	1	1	1	2	1	2

Notas de Instalación

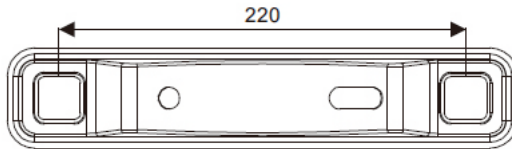
1. Precauciones de instalación

- El instalador debe realizar la instalación siguiendo estrictamente la norma nacional "Especificaciones de Instalación de Calentadores Eléctricos de Agua".
- Queda terminantemente prohibido que los usuarios instalen los calentadores de agua eléctricos por sí mismos. Cuando realice la instalación, póngase en contacto con el distribuidor local o con el departamento de posventa de la empresa para que le faciliten profesionales cualificados para la instalación de calentadores de agua eléctricos.
- Al instalar el calentador de agua eléctrico, ¡la conexión a tierra debe estar absolutamente garantizada! En caso de que no se cumplan los requisitos de instalación de los calentadores eléctricos de agua, el instalador debe informar claramente al usuario, explicar los motivos y proponer sugerencias de rectificación. El usuario debe pedir a los profesionales que eliminen el riesgo para la seguridad antes de la instalación. En caso de que no se puedan rectificar, se rechazará la instalación.
- Este producto debe instalarse en interiores, evitar la luz solar directa y que la temperatura ambiente sea superior a 0 °C; evitar lugares con fugas de gases inflamables o entornos con fuertes gases corrosivos; evitar lugares con fuertes interferencias de campos electromagnéticos; intentar evitar lugares propensos a vibraciones; intentar acortar la longitud de conexión entre el calentador de agua y el punto de toma de agua.
- Monte la válvula de seguridad en los accesorios durante la instalación. La manguera de drenaje conectada al puerto de alivio de presión de la válvula de seguridad debe estar continuamente inclinada hacia abajo y mantenerse abierta a la atmósfera. La manguera de desagüe y la válvula de seguridad deben instalarse en un entorno libre de heladas para evitar el bloqueo por hielo. Debe haber un desagüe bien drenado en el suelo cerca de la manguera de desagüe para evitar la acumulación de agua.
- El método es el siguiente: levante la manija de la válvula de seguridad para ver si sale agua por la manguera de desagüe. Si la función de alivio de presión es normal, el agua saldrá por la manguera de drenaje, de lo contrario el alivio de presión no es normal. Cuando se produzca un alivio de presión anormal, deje de utilizar este producto y póngase en contacto con el departamento de posventa para su tratamiento.

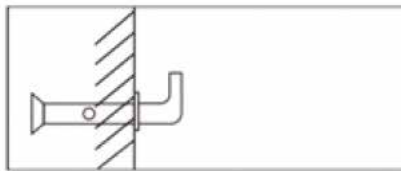
7. Antes de la instalación, compruebe si la pared en la que está instalado el termo eléctrico es firme. No debe haber cables preenterrados en la pared. Está terminantemente prohibido instalar el calentador de agua eléctrico en una pared hueca. La capacidad portante de la pared no debe ser inferior a 4 veces la masa del termo eléctrico una vez lleno de agua, y la posición de instalación debe garantizar que haya al menos un espacio de 30 cm de ancho a la derecha del termo eléctrico.
8. La toma de corriente debe instalarse en un lugar que no esté expuesto al agua ni al alcance de los niños.

2. Pasos de la instalación

1. Utilice un taladro eléctrico para hacer los agujeros $\Phi 16$ a una profundidad de al menos 90 mm en la pared. Estos agujeros deben estar nivelados en la misma línea.



2. Introduzca dos tacos en el orificio, atornille los ganchos y colóquelos mirando hacia arriba; a continuación, levante el calefactor eléctrico y apunte hacia los ganchos, fíjelo firmemente en su posición y compruebe que los tacos no están sueltos para asegurarse de que el calefactor eléctrico está firmemente montado.



3. Conecte la entrada y la salida del calentador de agua con tuberías o accesorios capaces de soportar temperaturas superiores a 100°C a una presión superior a la de trabajo (0,8MPa). Por lo tanto, recomendamos encarecidamente que no se utilicen materiales que no puedan soportar altas temperaturas.
4. Cuando instale las tuberías de agua, siga las normas básicas para evitar la corrosión: "No utilice cobre antes que hierro o acero en la dirección del flujo de agua".

Hormigas para suministrar agua caliente en varios lugares, por favor refiérase a (Figura 4) para la conexión de tuberías y la instalación.

Nota: Cuando instale la válvula de seguridad, asegúrese de reconocer la señal de dirección del flujo de agua en la válvula de seguridad e instálela correctamente, y apriete las tuercas de instalación superior e inferior para evitar fugas de agua. Después de la instalación, levante la manija (Figura 5), compruebe si la válvula de seguridad es normal, y luego reajuste.

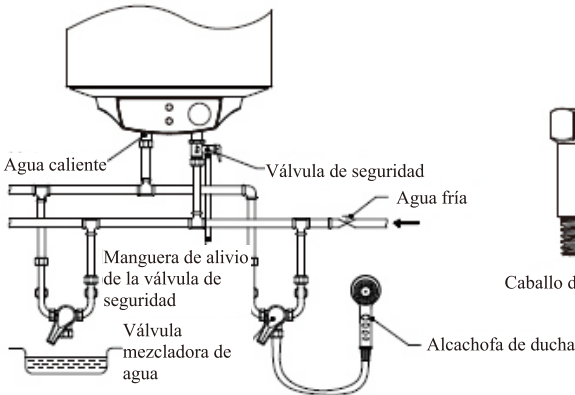


Figura 4

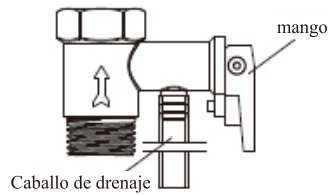


Figura 5


3. Conexión de tuberías

1. Los calentadores de agua eléctricos deben instalarse en tuberías y accesorios del tamaño correcto y deben estar limpios.
2. La especificación de la tubería de entrada de agua de este producto es G1/2", y el puerto roscado debe sellarse con una cinta impermeable de sellado o un anillo de sellado.
3. Para facilitar la instalación y el desmontaje del calentador de agua, se recomienda instalar uniones G1/2 en las posiciones adecuadas de las tuberías de entrada y salida del calentador de agua. Determine la ubicación del suministro de agua, conecte la tubería de entrada de agua y la tubería de agua del grifo a la fuente de agua respectivamente, llene el depósito interior con agua y compruebe si hay fugas. Si hay fugas de agua, debe volver a conectarse.
4. Instale la válvula de seguridad con una presión nominal de 0,8MPa (su interfaz es G1/2) en la tubería de entrada de agua en la dirección de la flecha de la válvula de seguridad (la flecha apunta hacia el calentador de agua). Cuando el calentador de agua recibe corriente y se calienta, el agua del depósito se calienta y se expande. Para reducir la presión del agua en el depósito, saldrá una pequeña cantidad de gotas de agua por el orificio de alivio de presión de la válvula de seguridad. El orificio de alivio de presión debe mantenerse abierto a la atmósfera y no debe bloquearse.



5. Método de instalación del tubo de desagüe de la válvula de seguridad: atornillar un extremo del tubo de desagüe a la válvula de seguridad. En el orificio de alivio de presión, el tubo de desagüe puede acortarse o alargarse según la situación real, y el otro extremo del tubo de desagüe se conecta a la boca de la alcantarilla, para evitar que el agua que gotea salpique la habitación cuando se libera la presión.

4. Conexión eléctrica

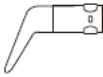
1. Las conexiones eléctricas y el cableado deben ser realizados por un electricista experimentado y cualificado.
2. Todo el cableado debe cumplir la normativa local.
3. El calentador de agua eléctrico de acumulación requiere una fuente de alimentación de 220-240V a 16A monofásica.
4. Conecte la fuente de alimentación al conector que proporciona la fuente de alimentación para suministrar energía al calentador de agua eléctrico tipo acumulador. Asegúrese de que el terminal de tierra esté firmemente conectado a la conexión de tierra.
5. El cable de tierra debe ser verde y debe conectarse a  el terminal con el símbolo de cable de tierra.
6. Todos los cables deben estar correctamente conectados y cubiertos con conductos para cables.

Instrucciones

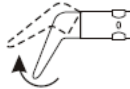
Preparación antes del uso

1. Inyección de agua: Abra la válvula mezcladora de agua, levante la manivela de la válvula mezcladora, gírela en el sentido de las agujas del reloj hasta el punto más alto de la zona de alta temperatura y, a continuación, abra la válvula de entrada de agua. En este momento, se inyectará agua en el depósito interior hasta que la salida de agua caliente sea normal. En este momento Indica que el depósito interior se ha llenado de agua, cierre la válvula mezcladora de agua y gire la maneta en sentido antihorario hasta el punto más bajo de la zona de baja temperatura.

Cerrar



Abrir



Baja Temperatura



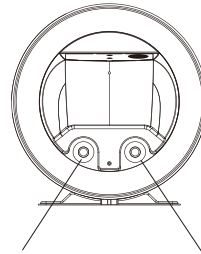
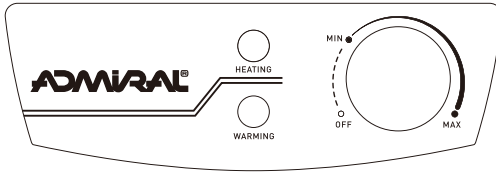
Alta Temperatura



2. Cuando la temperatura del agua alcance la temperatura ajustada, el indicador de calentamiento del panel se pondrá verde y el calentador de agua dejará de calentar automáticamente. La temperatura del agua ha alcanzado la temperatura fijada y entra en el estado de conservación del calor. En este momento, el usuario puede accionar el interruptor de la válvula mezcladora y pasar lentamente de la zona de baja temperatura al estado de conservación del calor. Gire la manivela de la válvula mezcladora en la zona de alta temperatura, pruebe cuidadosamente la temperatura del agua con las manos, ajústela a la temperatura del agua que necesite y, a continuación, podrá utilizarla con confianza. Cuando la temperatura del agua descienda a una determinada temperatura, el calentador de agua se recalentará automáticamente.

Nota: la temperatura del agua puede ser ligeramente superior, por favor, compruebe la temperatura del agua antes de su uso, no pruebe la temperatura del agua en el cuerpo humano, ¡para evitar quemaduras!

Descripción de la Función



Salida de agua Entrada de agua

1. Ajuste el regulador de temperatura adecuadamente y el indicador de CALENTAMIENTO se encenderá.
2. El regulador de temperatura controlará automáticamente la temperatura. Cuando la temperatura en el interior del calentador haya alcanzado la temperatura establecida, se apagará automáticamente, cuando la temperatura del agua descienda por debajo del punto establecido, el calentador se encenderá automáticamente para restablecer la calefacción. Cuando el calentador se apague automáticamente, el indicador de calefacción se apagará.

Mantenimiento

1. Antes de limpiar la superficie del calentador de agua eléctrico, asegúrese de que el calentador de agua esté desconectado de la red eléctrica. Cuando limpie, utilice una toalla húmeda humedecida en un poco de detergente neutro para limpiar suavemente la superficie del producto, y luego séquela con una toalla seca. No rocíe directamente con agua, y no utilice gasolina, polvo de pulir y otras sustancias volátiles o limpiadores ácidos fuertes y alcalinos fuertes para la limpieza.
2. Cuando el calentador de agua eléctrico no se utilice durante mucho tiempo, desconecte la alimentación eléctrica, desenchufe el cable de alimentación y vacíe el agua del depósito interior.
3. Limpie periódicamente (aproximadamente un año) la cal del tubo de calefacción eléctrica y los sedimentos del depósito interior. En zonas con agua dura, los usuarios pueden instalar un dispositivo antisarro en el extremo delantero del tubo de entrada de agua. Sustitución periódica de las varillas de magnesio según las condiciones locales de calidad del agua. Póngase en contacto con el distribuidor local o el departamento de posventa para obtener la asistencia de técnicos profesionales.

Guía de Resolución de Problemas

Pregunta	Razón	Solución
El indicador luminoso de la calefacción está apagado	Averías del controlador de temperatura	Póngase en contacto con el centro de atención al cliente.
No sale agua por la salida de agua caliente	1. El suministro de agua está cortado.	1. Esperar a que se restablezca el suministro de agua.
	2. La presión del agua es demasiado baja.	2. Utilice el calentador cuando la presión del agua sea la adecuada.
	3. La válvula de entrada del suministro de agua no está abierta.	3. Abra la válvula de entrada del suministro de agua.
La temperatura del agua es demasiado alta	Avería del sistema de control de la temperatura.	Póngase en contacto con el centro de atención al cliente.
Fugas de agua	Problema del sellado en las juntas de las tuberías.	Póngase en contacto con el centro de atención al cliente.

Nota: Si su calentador de agua eléctrico es anormal y no se puede utilizar normalmente, por favor, compruébelo de acuerdo con "Resolución de Problemas". Si el fallo anterior es problema del propio calentador de agua eléctrico, deberá ser reparado por profesionales.



ADMIRAL[®]

**ALMACENAMIENTO
CALENTADORES DE AGUA**