

项目名称

W2334

版本号

A01

设计时间

2024/05/17

物料名称

说明书 - 欧版

设计师

陈棋臣

审核

批准

料号

04170500002973

材质工艺要求:

材质要求: 封面 :157G 哑粉纸过油, 内页 :68G 哑粉

颜色及专色: 单色印刷

尺寸要求: 140mm\*210mm 封底日期请根据实际需求更新

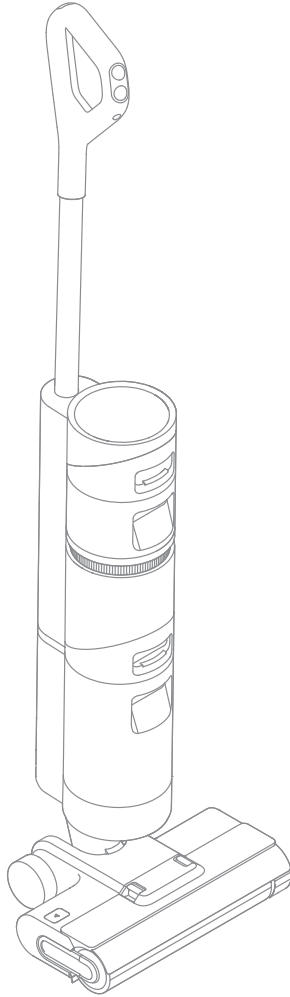
变更履历:

A01- 增加网址二维码

# Dreame H11 Core

## Wet and Dry Vacuum

### User Manual



The illustrations in this manual are for reference only.  
Please refer to the actual product.

**DREAME**

# THANK YOU

FOR PURCHASING THIS DREAME  
WET AND DRY VACUUM.

## Registration Quick Start

Welcome to register a Dreame account by scanning the QR code. You are available for the **User Manual** and **Special Offers**.



The high-quality product is engineered for optimal performance. If you have any questions on the product, please contact us: [aftersales@dreame.tech](mailto:aftersales@dreame.tech).

## Contents

EN	User Manual	001
DE	Benutzerhandbuch	022
FR	Manuel d'utilisation	043
IT	Manuale utente	064
ES	Manual de usuario	085
RU	Руководство пользователя	106
NL	Gebruikershandleiding	128
TH	คู่มือการใช้งาน	149
VN	Hướng Dẫn Sử Dụng	170



Please scan the QR code for the User Manual.

# Important Safety Instructions

Please read this manual carefully before use and retain it for future reference. When using an electrical appliance, basic precautions should always be followed, including the following:

**READ ALL INSTRUCTIONS BEFORE USING (THIS APPLIANCE).** Failure to follow the warnings and instructions may result in electric shock, fire and/or serious injury.

**WARNING** — To reduce the risk of fire, electric shock, or injury:

## Usage Restrictions

- This appliance should not be used by children younger than 8 years old nor persons with physical, sensory, intellectual deficiencies, or limited experience or knowledge without the supervision of a parent or guardian to ensure safe operation and to avoid any risks. Cleaning and maintenance shall not be performed by children without supervision.
- Plastic film can be dangerous. To avoid the danger of suffocation, keep it away from children.
- Use indoors only, on non-carpeted floor surfaces such as vinyl, tile, sealed wood, etc. Be careful not to run over loose objects or the edges of area rugs. Stalling the brush may result in premature belt failure.
- Use only as described in this user guide. Use only manufacturer's recommended attachments.
- Do not expose the appliance to fire or excessive temperature. Exposure to fire or excessive temperature may cause an explosion.
- Do not use in extremely hot or cold environments (below 5°C/41°F or above 40°C/104°F). Please charge the appliance in temperature above 5°C/41°F and below 40°C/104°F).
- Do not immerse the appliance in liquid.
- Do not use to pick up flammable or combustible liquids, such as gasoline. Do not use in areas where flammable or combustible liquids may be present.
- Do not put any object into openings. Do not use the appliance when any opening is blocked. Keep free of dust, lint, hair, and anything that may inhibit air flow.
- Do not pick up toxic material (chlorine bleach, ammonia, drain cleaner, etc.). Do not pick up hard or sharp objects such as glass, nails, screws, coins, etc.
- Do not use the appliance in an enclosed space filled with vapor given off by oil-based paint, paint thinner, some moth-proofing substances, flammable dust, or other explosive or toxic vapour. Do not pick up anything that is burning or smoking, such as cigarettes, matches or hot ashes.
- Do not use the appliance without filters in place.
- Keep hair, loose clothing, fingers, and all parts of the body away from openings and moving parts of the appliance and its accessories.
- Keep ground cables away from the appliance when using it. A hazard may occur if the appliance runs over a supply cord.
- Use extra care when cleaning on stairs.
- Do not add any liquid other than the officially-approved cleaner.

# Important Safety Instructions

## Maintenance and Storage

- Prevent unintentional starting. Ensure the switch is in the OFF-position before picking up or carrying the appliance. Carrying the appliance with your finger on the switch or turning on the appliance may result in an accident.
- Ensure that the appliance is placed on a horizontal surface. Do not use the appliance at the same position if the appliance is equipped with a brush roller and the handle is not completely upright. Do not store the appliance in a place where it may freeze.
- Switch off and unplug the appliance when not in use, before cleaning, maintaining or servicing it, and before connecting or disconnecting it with a moving brush.
- Do not use an appliance that is damaged or modified. A damaged or modified appliance may exhibit unpredictable behavior resulting in fire, explosion, or risk of injury.
- Do not modify or attempt to repair the appliance except as indicated in the instructions for use and care.
- Do not use the appliance with a damaged attachment (eg: charging base, adapter, etc.). If the appliance or attachment has been dropped, damaged, left outdoors, dropped into water, or is not working as it should, never attempt to operate it. Please have it repaired at an authorized service center.
- Have servicing performed by a qualified repair person using only identical replacement parts. This will ensure that the safety of the appliance is maintained.

## Battery and Charging

- For the purposes of recharging the battery, only use the detachable adapter provided with this appliance. Use only with <YLS0251B-E260090> adapter.
- Follow all charging instructions and do not charge the appliance outside of the temperature range specified in the battery as doing so increases the risk of fire.
- Keep ground cables away from the appliance when using it, because a hazard may occur if the appliance runs over a supply cord.
- Do not pull or carry adapter by cable, use cable as a handle, close door on cable, or pull cable around sharp edges or corners.
- This appliance contains batteries that can only be replaced by qualified technicians or after-sales service.
- The lithium-ion battery pack contains substances that are hazardous to the environment. Before disposing of the appliance, please first remove the battery pack, then discard, or recycle it in accordance with local laws and regulations of the country or region it is used in.
- The appliance must be disconnected from the power supply when removing the battery. Keep batteries out of the reach of children. Never put batteries in mouth. If swallowed, contact your physician or local poison control.
- Under abusive conditions, never contact the battery from which the liquid may be ejected. If contact accidentally occurs, rinse with water. If liquid contacts eyes, seek medical help immediately. Liquid ejected from the battery may cause irritation or burns.

# Important Safety Instructions

## Symbols



Read operator's manual



Detachable supply unit

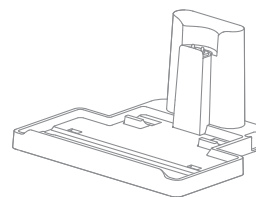


### WEEE Information

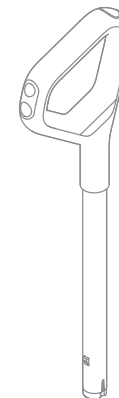
All products bearing this symbol are waste electrical and electronic equipment (WEEE as in directive 2012/19/EU) which should not be mixed with unsorted household waste. Instead, you should protect human health and the environment by handing over your waste equipment to a designated collection point for the recycling of waste electrical and electronic equipment, appointed by the government or local authorities. Correct disposal and recycling will help prevent potential negative consequences to the environment and human health. Please contact the installer or local authorities for more information about the location as well as terms and conditions of such collection points.

# Product Overview

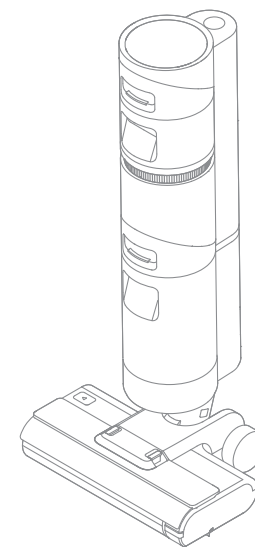
## Packing List



Charging Base



Handle



Main Body



Cleaning Brush



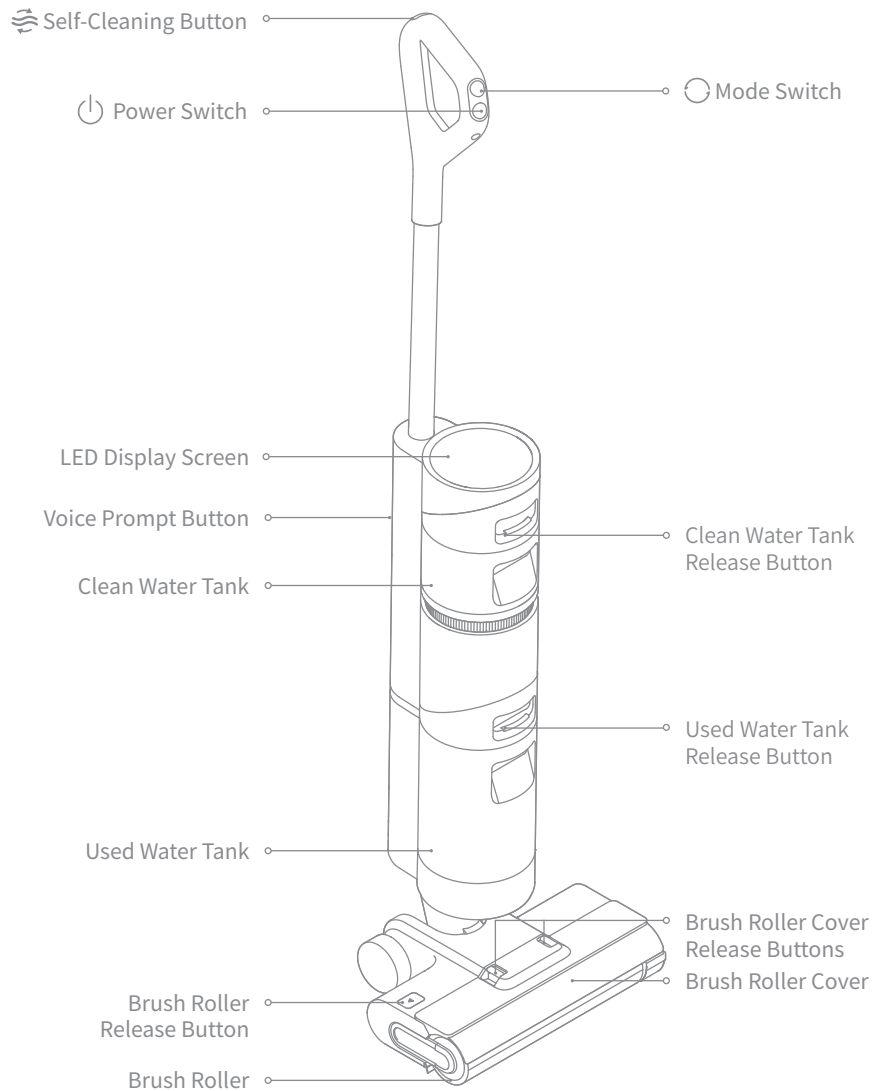
Power Adapter

We, Dreame Trading (Tianjin) Co., Ltd., hereby declares that this equipment is in compliance with the applicable Directives, European Norms, and amendments. The full text of the EU declaration of conformity is available at the following internet address: <https://global.dreame.tech.com>

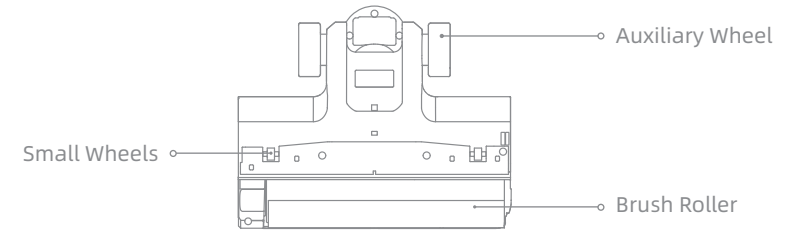
For detailed e-manual, please go to <https://global.dreame.tech.com/pages/user-manuals-and-faqs>

Note: The images in this manual are for illustrative purposes only. The actual product may differ.

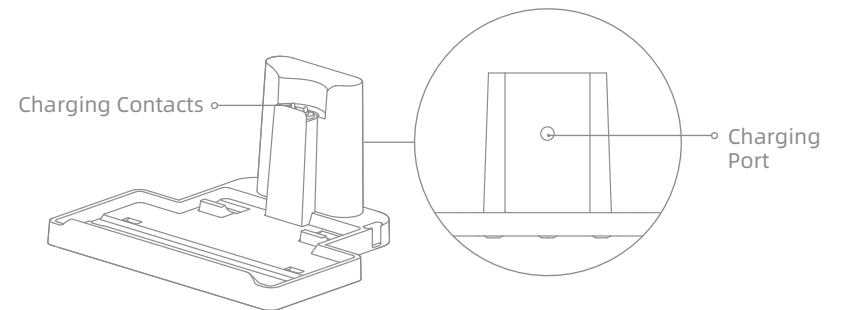
Vacuum



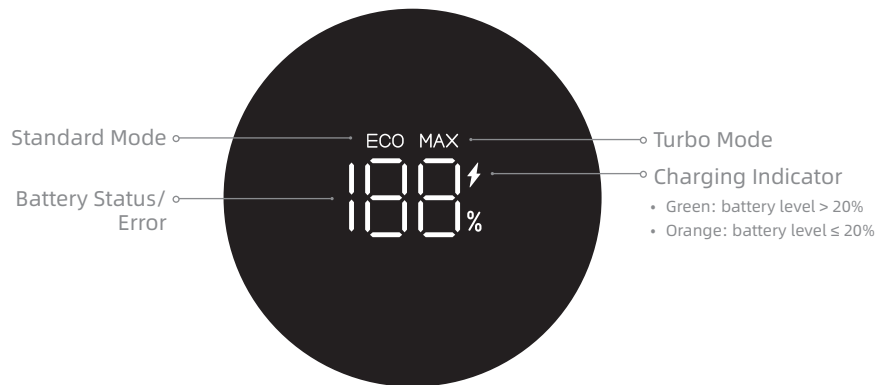
Roller Brush Assembly



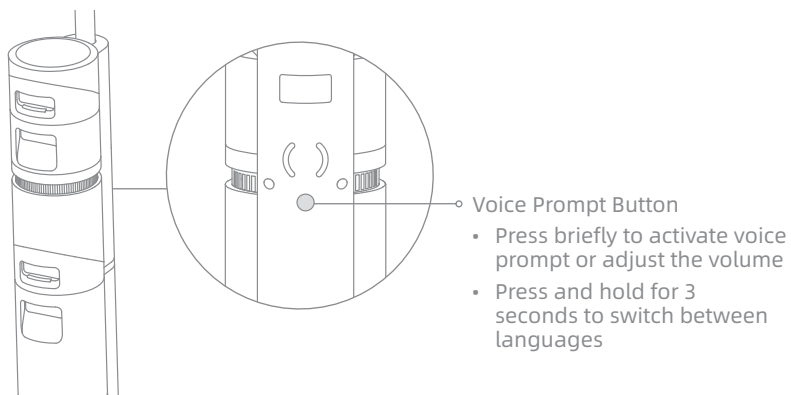
Charging Base



### Display Screen



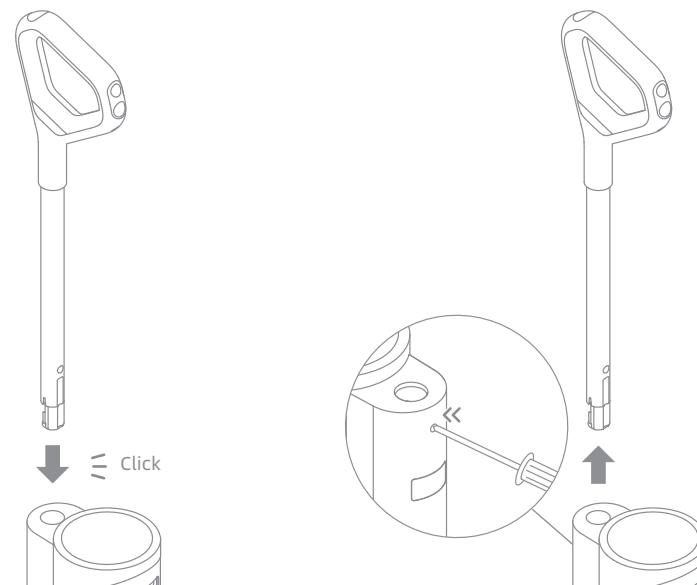
### Voice Prompt Button



### Installing the Handle

Insert the end of the handle vertically into the port on the top of the appliance as indicated until you hear a click.

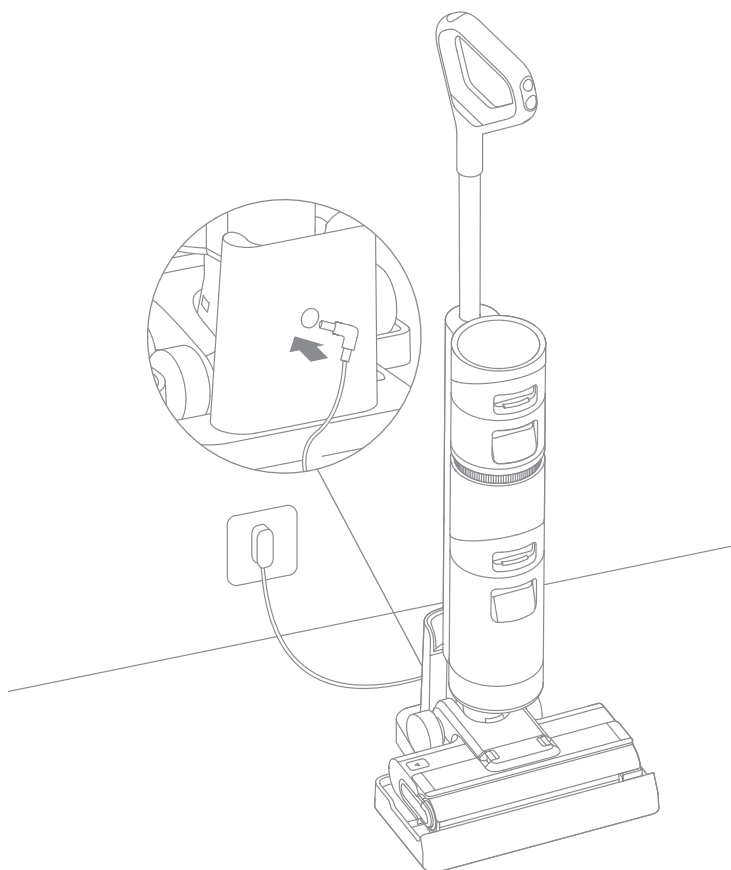
Note: To disassemble, extend a hard object into the hole on the back of the appliance to press in the contacts and pull the handle upwards at the same time.



# Charging

Note: Fully charge the appliance before using it for the first time.

1. Place the charging base on the level ground against a wall. Connect one end of the power adapter to the charging base and another end to a home socket.
2. Place the appliance on the charging base, the ⚡ on the screen lights up to indicate the charging status. The number on the display screen represents the current battery level in a percentage during charging. When the number is at 100, the battery is fully charged.



Note:

- If there is no operation within 5 minutes of being fully charged, the vacuum will enter sleep mode. Please restart the appliance if you need to use it.
- To extend the battery life time, the battery keeps cooling down for about one hour automatically after you have used the appliance for a long time.

# How to Use

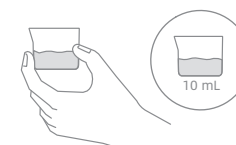
## Filling the Clean Water Tank

Press the Clean Water Tank release button to remove the tank. Open the tank cover and fill the tank with clean water.



## Adding Cleaning Fluid


For better cleaning performance, it is recommended to add 10 mL detergent with the bottle cap into the full Clean Water Tank, then shake gently and evenly for use.

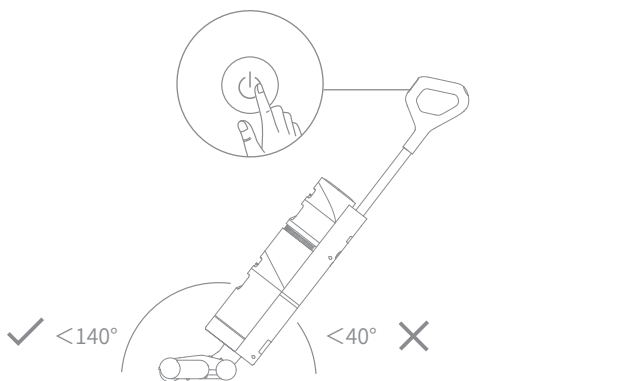


Note: Do not add any liquids other than the officially-approved cleaner. The cleaner can be available on the official online store.

## How to Use

### Starting Cleaning

Gently step on the brush cover and recline the appliance backwards. Press the power switch  to start/stop operating.

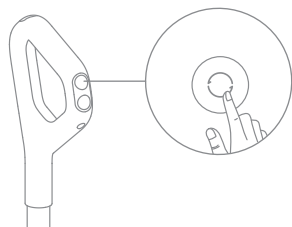


#### Note:

- Do not vacuum any foamy liquids.
- If the appliance is in the upright position while working, the current task will be suspended.
- The appliance is suitable for cleaning floors, marble, tiles and other hard surfaces.
- When the appliance is in operation, do not lift it off the ground, tilt it or recline the appliance backwards more than 140°. Doing so may cause the used water to flow into the motor.

### Switching Modes

When the appliance is turned on, it defaults to the standard mode. You can switch to the turbo mode according to actual needs.



## Care & Maintenance

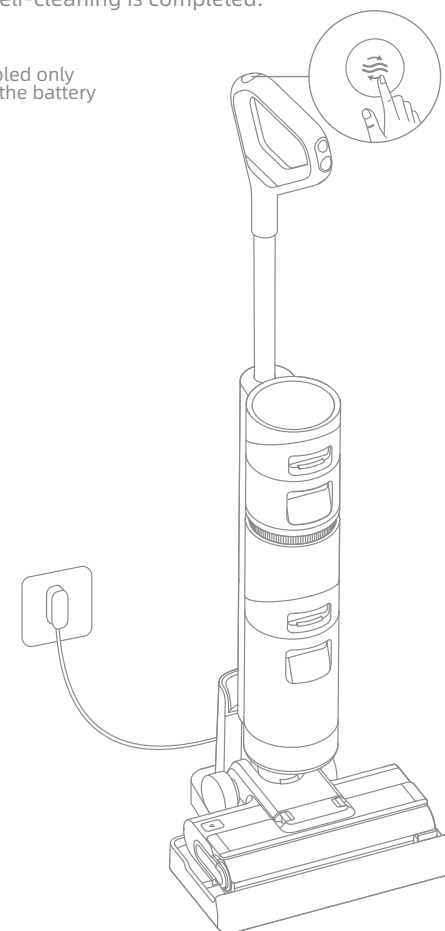
#### Tips:

- Turn off the appliance before maintenance. Do not touch the power switch.
- Replace parts if needed. The parts must be replaced by those available from the manufacturer or its service agent.
- If the appliance is not used for an extended period, fully charge it, unplug the power plug, and store the appliance in a cool, low-humidity environment away from direct sunlight. To avoid over-discharge of the battery, charge the appliance at least once every 3 months.

### One-Click Self-Cleaning

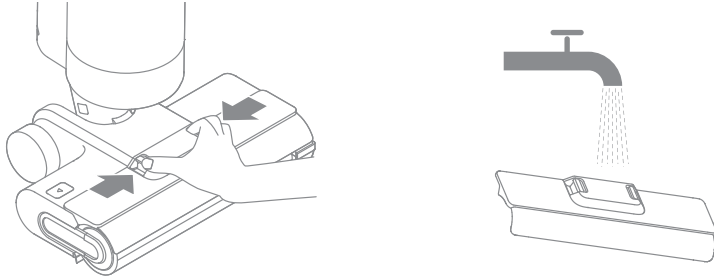
1. Place the appliance back onto the base while you finish cleaning.
2. Briefly press the self-cleaning button on the top of the handle to start/stop self-cleaning.
3. Empty the Used Water Tank while self-cleaning is completed.

Note: The self-cleaning mode can be enabled only when the appliance is being charged and the battery level is more than 20%.

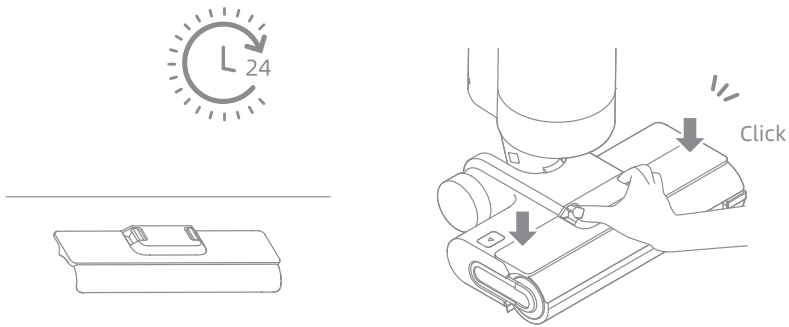


### Cleaning the Brush Cover

1. Press the brush roller cover release buttons inwards on both sides to remove the brush roller cover.

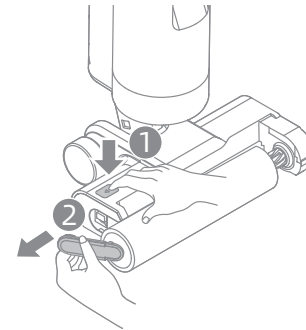


2. The brush cover can be rinsed with clean water or wiped with a dishcloth. Dry it completely before reuse.



### Cleaning the Brush Roller

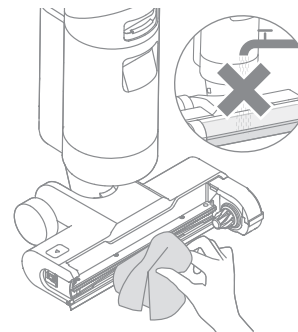
1. Press the brush roller release button and the handle of the brush roller will pop out. Pull the handle to take out the brush roller.



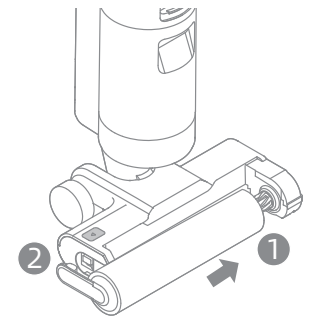
2. Clear the hair and debris tangled on the brush roller. Rinse the brush roller with clean water and dry it completely.



3. Wipe the suction inlet with a dry dishcloth or wet tissue.



4. Re-install the brush roller. You should hear a click.



Warning: To reduce the risk of electric shock or injury, do not rinse the roller brush assembly with water!

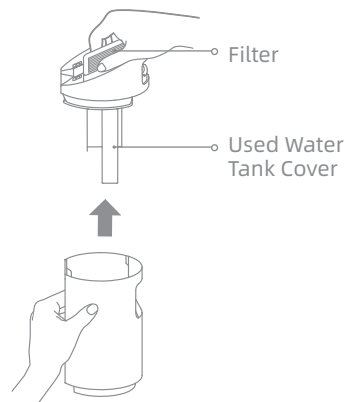
Note: Clean as needed. Replacing the brush roller every 3 to 6 months is recommended.

### Cleaning the Used Water Tank and the Filter

1. Press the Used Water Tank release button to remove the tank.



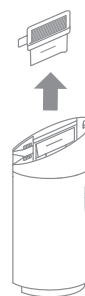
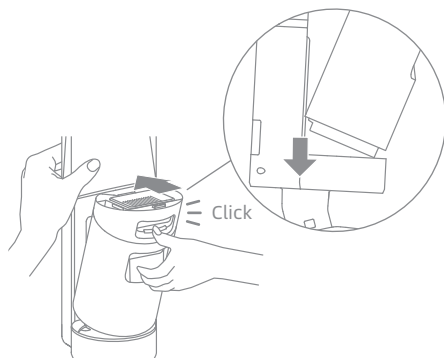
2. Take out the filter from the Used Water Tank cover. Remove the tank cover and pour out the used water.



3. Rinse the Used Water Tank and the tank cover with clean water. Clean the tank by the provided cleaning brush.



4. Re-install the filter and the Used Water Tank cover. Then re-install the Used Water Tank until you hear a click.

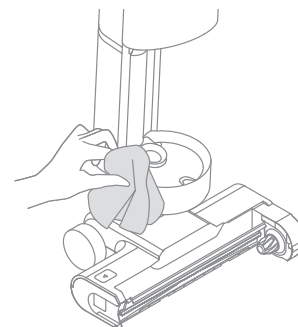


Note:

- When the filter is dirty and needs washing, rinse it with water. It must be completely dry before use.
- Replacing the filter every 3 to 6 months is recommended.

### Cleaning the Tube

Remove the used water tank. Wipe the tube with a wet cloth before use.



Error	Possible Cause	Solution
The appliance does not work.	The appliance is out of battery or its battery level is low.	Fully charge its battery before use.
	The appliance is in the upright position.	Recline the appliance backwards.
	Blockage activated overheat protection mode.	Clear the blockage and wait until the temperature returns normal.
	The Used Water Tank is full.	Empty the Used Water Tank.
	The Clean Water Tank is empty.	Fill the Clean Water Tank with water.
	The parts are not installed in place.	Ensure all parts are all properly in place.
The appliance charges slowly.	The temperature of the battery is too low or too high.	Wait until the battery's temperature returns normal.
The suction power of the appliance is weak.	The filter is not installed in place.	Ensure the filter is installed in place.
	The filter is clogged.	Clean the filter.
	The suction inlet or tube is blocked by a foreign object.	Clean the tube and the suction inlet.
The motor is making a strange noise.	There is too much dirty water in the Used Water Tank.	Empty the Used Water Tank.
	The suction inlet is blocked.	Clear any blockage in the suction inlet.
The display screen does not light up while charging.	The power adapter plug is not inserted into the electrical outlet properly.	Make sure the power adapter plug is inserted in place.
	The appliance is not placed onto the charging base properly.	Make sure the appliance is placed onto the charging base properly.

Error	Possible Cause	Solution
No water is coming out of the appliance.	The Clean Water Tank is not properly installed in place, or the water in the Clean Water Tank is insufficient.	Re-install or fill the Clean Water Tank.
	It takes 30 seconds to dampen the brush roller.	Turn on the appliance and check again in 30 seconds.
The vent leaks water.	Lift the appliance off the ground, tilt it or recline the appliance backwards more than 140° .	Pull the appliance gently back and forth while it is turned on.
	The filter is not completely dry after being cleaned.	Dry the filter completely before use.
Self-cleaning fails.	The brush roller may be jammed by large debris.	Remove the brush roller cover to check and clean the brush roller.
	The appliance is not placed onto the charging base properly.	Make sure the appliance is being charged before enabling the self-cleaning function.
	Self-cleaning cannot be enabled if the battery level is lower than 20%.	The self-cleaning function can only be enabled when the appliance is being charged and the battery level is more than 20%.
	The Used Water Tank is not installed in place, or the Used Water Tank is full.	Re-install or empty the Used Water Tank.
	The Clean Water Tank is not installed in place, or the water in the Clean Water Tank is insufficient.	Fill or re-install the Clean Water Tank.

## Error Prompts and Solutions

If the appliance is not working properly, the screen display will show an error message. Please refer to the below table to find your solution.

Error Code	Possible Cause	Solution
E1/EE/EF	Motor error	Please contact customer service.
E2/E3/E7/E8/E9	Battery error	Please contact customer service.
E4/E5	Incompatible power adapter	Please use the original power adapter. If the problem persists, contact customer service.
E6	Battery overheating	Wait until the battery's temperature returns normal.

For additional services, please contact us via [aftersales@dreame.tech](mailto:aftersales@dreame.tech)  
 Website: <https://global.dreametech.com>

## Specifications

Vacuum			
Model	HHR21A	Charging Time	Approx. 4.5 hours
Rated Voltage	21.6 V ===	Charging Voltage	26 V ===
Rated Power	170 W	Rated Capacity	2300 mAh
Nominal Capacity	2500 mAh	Used Water Tank Capacity	500 mL
Clean Water Tank Capacity	900 mL		
Power Adapter			
Model	YLS0251B-E260090	Average Active Efficiency	87.28%
Input	100-240V~ 50/60Hz 0.8A Max	Efficiency at Low Load (10%)	79.74%
Output	26 V === 0.9 A	No-Load Power Consumption	0.08 W

# Battery Disposal and Removal

The built-in lithium-ion battery contains substances that are hazardous to the environment. Before disposing of the battery, make sure the battery is removed by qualified technicians and discarded at an appropriate recycling facility.

- the battery must be removed from the appliance before it is scrapped;
- the appliance must be disconnected from the supply mains when removing the battery;
- the battery is to be disposed of safely.

## CAUTION:

- Before removing the battery, disconnect the power and run out the battery as much as possible.
- Unneeded batteries should be discarded at an appropriate recycling facility.
- Do not expose to high temperature environment to avoid risks of explosion.
- Under abusive conditions, liquid may be ejected from the battery. If contact occurs, flush with water and seek medical help.

## Removal Guide

1. Remove the handle, decorative ring in the middle of the appliance and screw plugs.
2. Use a proper tool to remove the screws on the back of the appliance, and then remove the back cover.
3. Remove the screws on the battery cover to open the battery cover.
4. Unplug the terminals between the battery and PCB board to remove the battery.

# Wichtige Sicherheitshinweise

Bitte lesen Sie dieses Handbuch vor der Verwendung sorgfältig durch und bewahren Sie es zum späteren Nachschlagen auf.

Bei der Verwendung eines elektrischen Geräts sollten immer grundlegende Vorsichtsmaßnahmen beachtet werden, einschließlich der folgenden:

**LESEN SIE ALLE ANWEISUNGEN, BEVOR SIE DIESES GERÄT VERWENDEN.** Die Nichtbeachtung der Warnhinweise und Anweisungen kann zu einem elektrischen Schlag, Brand und/oder schweren Verletzungen führen.

**WARNUNG** – Um die Gefahr von Bränden, Stromschlägen oder Verletzungen zu verringern:

## Nutzungsbeschränkungen

- Um einen sicheren Betrieb zu gewährleisten und Risiken zu vermeiden, darf dieses Produkt nicht von Kindern unter 8 Jahren, von Personen mit körperlichen, sensorischen oder geistigen Einschränkungen oder von Personen mit mangelnden Kenntnissen ohne Aufsicht eines Elternteils oder Vormunds verwendet werden. Kinder dürfen die Reinigung und Wartung nicht ohne Aufsicht durchführen.
- Kunststoffolie kann gefährlich sein. Um die Gefahr des Erstickens zu vermeiden, halten Sie sie von Kindern fern.
- Verwenden Sie das Gerät nur wie in dieser Bedienungsanleitung beschrieben. Verwenden Sie nur das vom Hersteller empfohlene Zubehör.
- Verwenden Sie das Gerät nur in Innenräumen, auf nicht mit Teppichboden versehenen Böden wie Vinyl, Fliesen, versiegeltem Holz usw. Achten Sie darauf, nicht über lose Gegenstände oder Kanten von Teppichen zu fahren. Ein Abwürgen der Bürste kann zu einem vorzeitigen Ausfall des Riemens führen.
- Setzen Sie das Gerät keinem Feuer oder übermäßigen Temperaturen aus. Die Exposition gegenüber Feuer oder übermäßiger Temperatur kann eine Explosion verursachen.
- Nicht in extrem heißen oder kalten Umgebungen verwenden (unter 5°C/41°F oder über 40°C/104°F). Bitte laden Sie das Gerät bei Temperaturen über 5°C/41°F und unter 40°C/104°F auf.
- Tauchen Sie das Gerät nicht in Flüssigkeit.
- Dieses Gerät darf nicht verwendet, um brennbare oder leicht entzündliche Flüssigkeiten wie Benzin aufzunehmen. Dieses Gerät darf nicht in Bereichen verwendet werden, in denen brennbare oder leicht entzündliche Flüssigkeiten vorhanden sein können.
- Setzen Sie kein Objekt in die Öffnungen. Verwenden Sie das Gerät nicht, wenn die Öffnung blockiert ist. Halten Sie sich frei von Staub, Fusseln, Haaren und allem, was den Luftstrom behindern kann.
- Nehmen Sie kein giftiges Material auf (Chlorbleiche, Ammoniak, Abflussreiniger usw.). Heben Sie keine harten oder scharfen Gegenstände wie Glas, Nägel, Schrauben, Münzen usw. auf.
- Verwenden Sie das Gerät nicht in einem geschlossenen Raum, der mit Dämpfen gefüllt ist, die von ölhaltigen Farben, Farbverdünnern, einigen Mottenschutzmitteln, brennbarem Staub oder anderen explosiven oder giftigen Dämpfen abgegeben werden. Nehmen Sie keine brennenden oder rauchenden Gegenstände auf, wie z. B. Zigaretten, Streichhölzer oder heiße Asche.
- Verwenden Sie es nicht ohne eingesetzte Filter.
- Halten Sie Haare, lose Kleidung, Finger und alle Körperteile von den Öffnungen und beweglichen Teilen des Geräts und seines Zubehörs fern.

# Wichtige Sicherheitshinweise

- Halten Sie Erdungskabel vom Gerät fern, da eine Gefahr auftreten kann, wenn das Gerät in Betrieb über ein Netzkabel läuft
- Gehen Sie bei der Reinigung auf Treppen besonders vorsichtig vor.
- Keine anderen Flüssigkeiten als den offiziell zugelassenen Reinigungsmittel hinzufügen.

## Wartung und Lagerung

- Verhindern Sie ein unbeabsichtigtes Starten. Vergewissern Sie sich, dass der Schalter in der AUS-Stellung ist, bevor Sie das Gerät in die Hand nehmen oder tragen. Das Tragen des Geräts mit dem Finger auf dem Schalter oder auf dem stromführenden Gerät, das den Schalter eingeschaltet hat, trägt zu Unfällen bei.
- Stellen Sie sicher, dass das Gerät auf einer horizontalen Fläche steht. Verwenden Sie das Gerät nicht an der gleichen Stelle, wenn das Gerät mit einer Walzenbürste ausgestattet ist und der Griff nicht vollständig aufrecht steht. Lagern Sie das Gerät nicht an einem Ort, an dem es einfrieren kann.
- Schalten Sie das Gerät bei Nichtgebrauch vor dem Reinigen, Warten aus, oder bevor Sie es mit einer beweglichen Bürste anschließen oder trennen.
- Verwenden Sie kein Gerät, das beschädigt oder modifiziert ist. Beschädigte oder modifizierte Batterien können ein unvorhersehbares Verhalten zeigen, was zu Feuer, Explosion oder Verletzungsgefahr führen kann.
- Verändern Sie das Gerät nicht und versuchen Sie nicht, es zu reparieren, es sei denn, dies ist in der Gebrauchs- und Pflegeanleitung angegeben.
- Verwenden Sie das Gerät nicht mit einem beschädigten Aufsatz, z. B. Netzadapter usw. Wenn der Aufsatz beschädigt ist, muss es vom Hersteller, seinem Servicepartner oder ähnlichen qualifizierten Personen ersetzt werden, um Gefahren zu vermeiden.
- Lassen Sie die Wartung von einer qualifizierten Reparaturkraft durchführen, die nur identische Ersatzteile verwendet. Dadurch wird sichergestellt, dass die Sicherheit des Produkts erhalten bleibt.

## Akku und Aufladen

- Zum Aufladen der Batterie verwenden Sie nur den mitgelieferten abnehmbaren Adapter. Nur mit Adapter <YLS0251B-E260090> verwenden.
- Befolgen Sie alle Ladeanweisungen und laden Sie das Gerät nicht außerhalb des in der Batterie angegebenen Temperaturbereichs auf, da dies die Brandgefahr erhöht.
- Halten Sie Erdungskabel vom Gerät fern, da eine Gefahr auftreten kann, wenn das Gerät in Betrieb über ein Netzkabel läuft.
- Adapter nicht per Kabel ziehen oder trage, stattdessen ihn als Griff verwenden, Tür am Kabel schließen oder Kabel um scharfe Kanten oder Ecken ziehen.
- Dieses Produkt enthält Batterien, die nur durch qualifizierte Techniker oder Kundendienst ersetzt werden können.
- Der Lithium-On-Akku enthält umweltgefährdende Substanzen. Bevor Sie das Gerät entsorgen, entfernen Sie bitte zuerst den Batteriesatz, dann werfen Sie ihn oder recyceln Sie ihn gemäß den lokalen Gesetzen und Vorschriften des Landes oder der Region, in dem er verwendet wird.
- Das Gerät muss beim Entfernen der Batterie vom Netzteil getrennt werden. Wahren Sie die Batterien außerhalb der Reichweite von Kindern auf. Legen Sie niemals Batterien in den Mund. Wenn Sie verschluckt werden, wenden Sie sich an Ihren Arzt oder die örtliche Giftkontrolle.

# Wichtige Sicherheitshinweise

- Kommen Sie unter missbräuchlichen Bedingungen niemals die Batterie in Berührung, aus der die Flüssigkeit ausgeworfen wird. Wenn die Berührung versehentlich auftritt, spülen Sie mit Wasser ab. Wenn die Flüssigkeit mit den Augen in Berührung kommt, suchen Sie sofort ärztliche Hilfe auf. Die aus der Batterie ausgestoßene Flüssigkeit kann Reizungen oder Verbrennungen verursachen.

## Symbole



Bedienungsanleitung lesen



Abnehmbare Versorgungseinheit



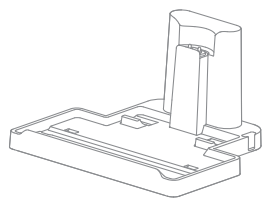
### WEEE-Informationen

Alle mit diesem Symbol gekennzeichneten Produkte sind Elektroschrott und Elektrogeräte (WEEE entsprechend EU-Richtlinie 2012/19/EU) und dürfen nicht mit unsortiertem Haushaltsmüll vermischt werden. Schützen Sie stattdessen Ihre Mitmenschen und die Umwelt, indem Sie Ihre zu entsorgenden Geräte an eine dafür vorgesehene, von der Regierung oder einer lokalen Behörde eingerichtete Sammelstelle zum Recycling von Elektroschrott und Elektrogeräten bringen. Eine ordnungsgemäße Entsorgung und Recycling helfen, negative Auswirkungen auf die Gesundheit von Umwelt und Menschen zu vermeiden. Wenden Sie sich bitte an den Installateur oder lokale Behörden, um Informationen zum Standort und den allgemeinen Geschäftsbedingungen solcher Sammelstellen zu erhalten.

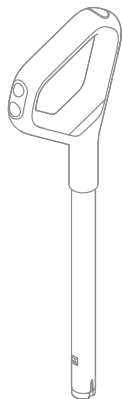
Wir, Dreame Trading (Tianjin) Co., Ltd., bestätigen hiermit, dass dieses Gerät mit dengeltenden Verordnungen und europäischen Normen sowie etwaigen Ergänzungen in Einklang steht. Der vollständige Wortlaut der EU-Konformitätserklärung ist unter der folgenden Internetadresse abrufbar: <https://global.dreametech.com>

Ein detailliertes elektronisches Handbuch finden Sie unter <https://global.dreametech.com/pages/user-manuals-and-faqs>

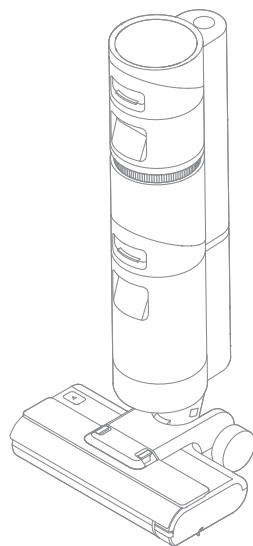
Packliste



Ladestation



Handgriff



Hauptkörper



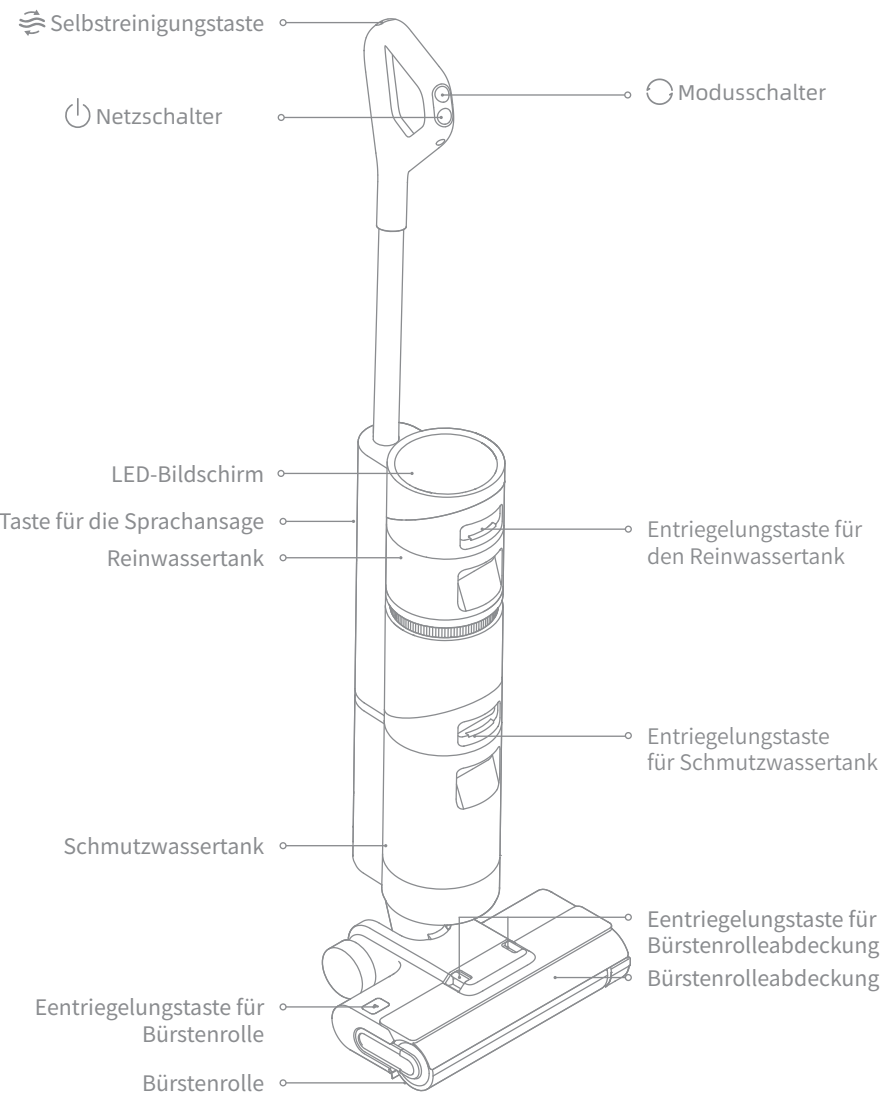
Reinigungsbürste



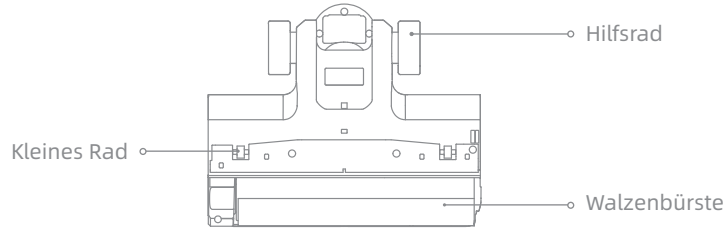
Netzadapter

Hinweis: Die Bilder in diesem Handbuch dienen nur zur Veranschaulichung. Das tatsächliche Produkt kann abweichen.

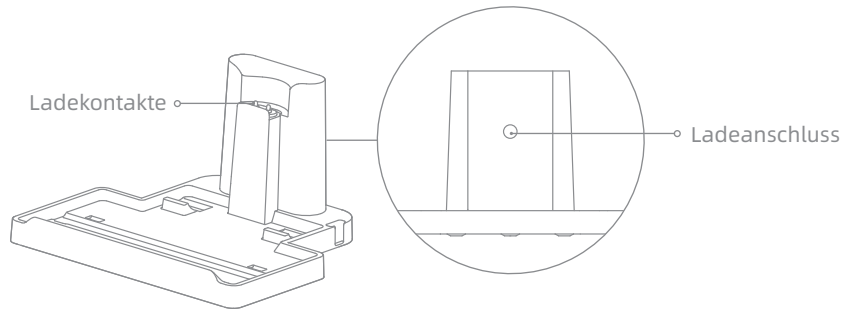
Nass- & Trockensauger



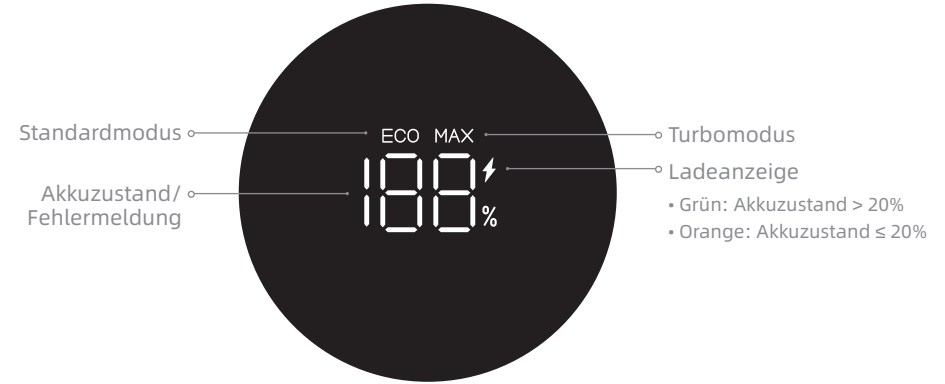
### Walzenbürstenbaugruppe



### Ladestation



### Bildschirm



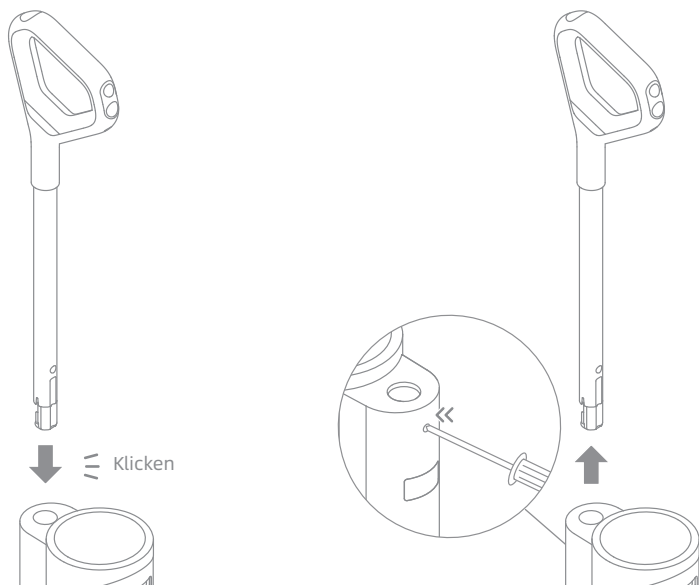
### Taste für die Sprachansage



## Installieren des Griffs

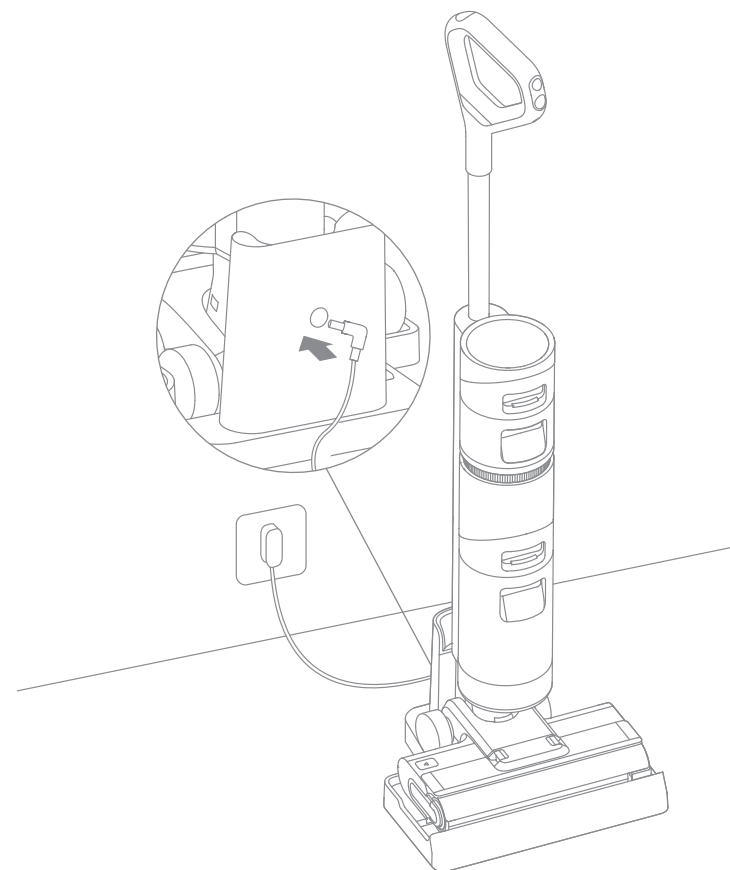
Fügen Sie das Ende der Griffbaugruppe senkrecht in die Öffnung auf der Oberseite des Geräts ein, wie angegeben, Sie werden ein Einrasten spüren.

Hinweis: Um den Griff zu demontieren, verwenden Sie bitte einen harten Gegenstand, um in das Loch auf der Rückseite des Geräts zu greifen, um den Kontakt zu drücken, und ziehen Sie gleichzeitig den Griff nach oben.



Hinweis: Laden Sie das Gerät vor dem ersten Gebrauch vollständig auf.

1. Stellen Sie die Ladestation auf dem ebenen Boden an eine Wand. Schließen Sie ein Ende des Netzadapters an die Ladestation und ein anderes Ende an eine Steckdose an.
2. Stellen Sie das Gerät auf die Ladestation, das ⚡ auf dem Bildschirm leuchtet auf, um den Ladestatus anzuzeigen. Die Zahl auf dem Bildschirm stellt den aktuellen Akkustand in Prozent während des Ladevorgangs dar. Wenn die Zahl auf 100 steht, ist der Akku vollständig geladen.



Hinweis:

- Wenn innerhalb von 5 Minuten nach dem vollständigen Aufladen kein Betrieb erfolgt, wechselt das Vakuum in den Schlafmodus. Bitte starten Sie das Gerät neu, wenn Sie es verwenden müssen.
- Um die Akkulaufzeit zu verlängern, kühlt der Akku nach längerer Benutzung des Gerätes automatisch etwa eine Stunde lang ab.

# Verwendung

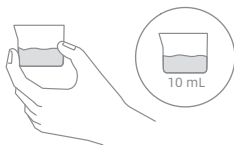
## Befüllen den Reinwassertank

Drücken Sie die Eentriegelungstaste, um den Tank zu entfernen. Öffnen Sie den Tankdeckel und füllen Sie den Tank mit sauberem Wasser.



## Hinzufügen von Reinigungsflüssigkeit


Um eine bessere Reinigungsleistung zu erzielen, wird empfohlen, 10 mL Reinigungsmittel mit dem Flaschendeckel in den vollen Frischwasserbehälter zu geben und dann zur Verwendung leicht und gleichmäßig zu schütteln.

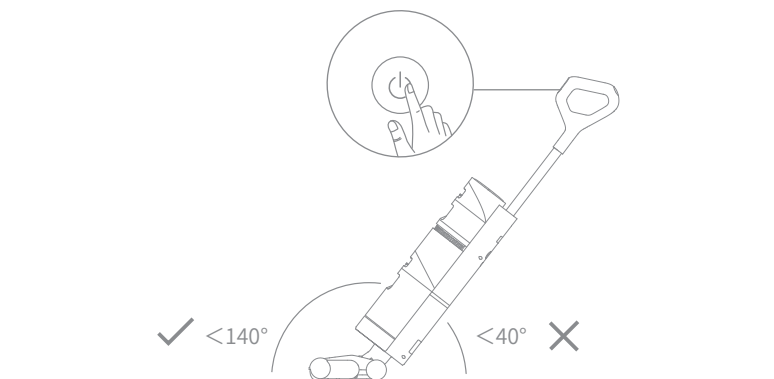


Hinweis: Fügen Sie keine anderen Flüssigkeiten als das offiziell zugelassene Reinigungsmittel hinzu. Der Reiniger kann im offiziellen Online-Shop erworben werden.

# Verwendung

## Start der Reinigung

Treten Sie vorsichtig auf die Bürstenabdeckung und stellen Sie das Gerät nach hinten. Drücken Sie den Netzschalter , um den Betrieb zu starten/beenden.

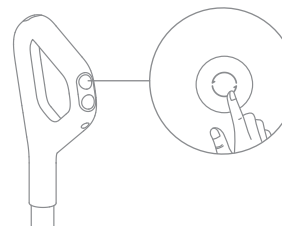


Hinweis:

- Verwenden Sie es nicht, um schäumende Flüssigkeiten zu saugen.
- Wenn sich das Gerät während der Arbeit in aufrechter Position befindet, wird die aktuelle Aufgabe unterbrochen.
- Das Gerät eignet sich zur Reinigung von Böden, Marmor, Fliesen und anderen harten Oberflächen.
- Das Gerät darf während des Betriebs nicht vom Boden angehoben, gekippt oder um mehr als 140° nach hinten geneigt werden. Andernfalls kann das Schmutzwasser in den Motor gelangen.

## Wechseln des Modus

Beim Einschalten des Geräts schaltet es standardmäßig in den Standardmodus. Sie können je nach Bedarf auf den Turbomodus umschalten.



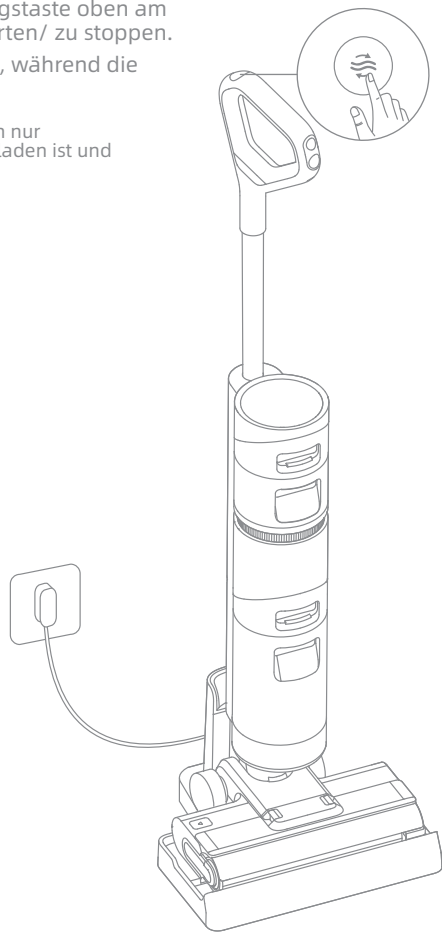
Tipps:

- Schalten Sie das Gerät vor der Wartung aus. Berühren Sie den Netzschalter nicht.
- Teile müssen bei Bedarf ausgetauscht werden, bitte verwenden Sie die vom Originalwerk vorgesehenen Teile, um Schäden am Produkt aufgrund von Ungeeignetheit zu vermeiden.
- Wenn das Gerät längere Zeit nicht verwendet wird, laden Sie es vollständig auf, ziehen Sie den Netzstecker ab und lagern Sie das Gerät in einer kühlen Umgebung mit geringer Luftfeuchtigkeit, fern von direkter Sonneneinstrahlung. Um das übermäßige Entladen des Akkus zu vermeiden, laden Sie das Gerät mindestens alle 3 Monate auf.

**Ein-Klick-Selbstreinigung**

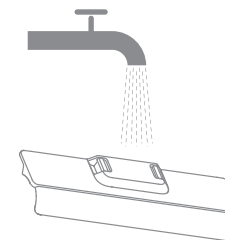
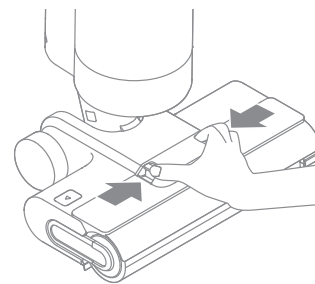
1. Stellen Sie das Gerät während der Reinigung wieder auf den Boden.
2. Drücken Sie kurz die Selbstreinigungstaste oben am Griff, um die Selbstreinigung zu starten/ zu stoppen.
3. Leeren Sie den Schmutzwassertank, während die Selbstreinigung abgeschlossen ist.

Hinweis: Die Selbstreinigungsfunktion kann nur aktiviert werden, wenn das Gerät beim aufladen ist und der Batteriestand mehr als 20% beträgt.

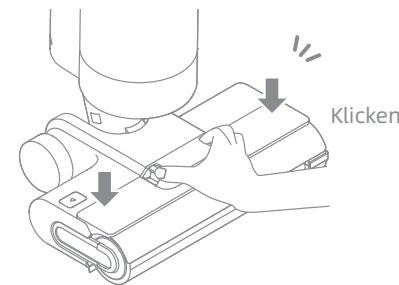
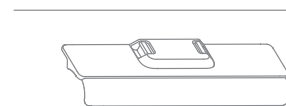


**Reinigung der Bürstenabdeckung**

1. Drücken Sie die Entriegelungstasten der Bürstenrollenabdeckung auf beiden Seiten nach innen, um die Bürstenrollenabdeckung zu entfernen.

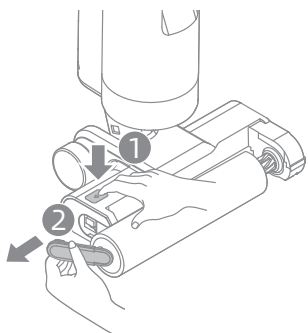


2. Die Bürstenabdeckung kann mit sauberem Wasser gespült oder mit einem Geschirrtuch abgewischt werden. Trocknen Sie sie vollständig vor der Wiederverwendung.



### Reinigung der Bürstenrolle

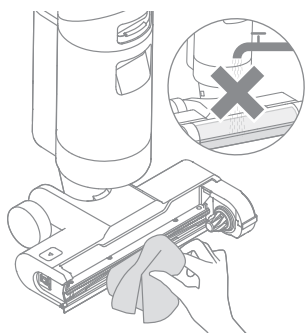
1. Drücken Sie die Entriegelungstaste für Bürstenrolle und der Griff der Bürstenrolle springt heraus. Ziehen Sie den Griff, um die Bürstenrolle herauszunehmen.



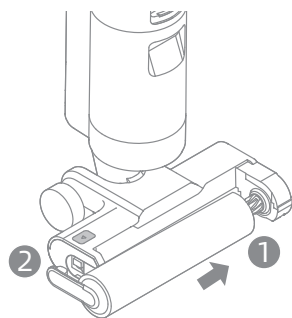
2. Befreien Sie die Bürstenwalze von verhedderten Haaren und Verunreinigungen. Spülen Sie die Bürstenwalze mit frischem Wasser aus und trocknen Sie sie vollständig ab.



3. Wischen Sie die Saugöffnung mit einem trockenen Tuch oder nassem Gewebe ab.



4. Installieren Sie die Bürstenrolle erneut, bis Sie ein Klicken hören.

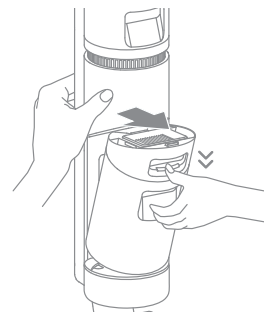


**Warnung:** Bitte spülen Sie die Walzenbürstenbaugruppe nicht mit Wasser ab, um das Risiko von Stromschlag oder Verletzungen zu reduzieren!

**Hinweis:** Reinigen Sie die Bürstenwalze nach Bedarf. Es wird empfohlen, die Bürstenwalze alle 3 bis 6 Monate auszutauschen.

### Den Schmutzwassertank und Filter reinigen

1. Drücken Sie die Schmutzwassertank-Entriegelungstaste und nehmen Sie den Schmutzwassertank heraus.



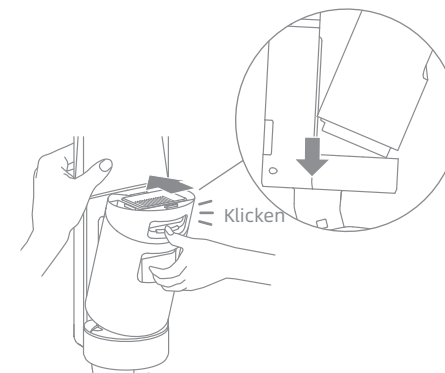
2. Nehmen Sie den Filter aus dem Deckel des Schmutzwassertanks heraus. Entfernen Sie den Tankdeckel und gießen Sie das Schmutzwasser aus.

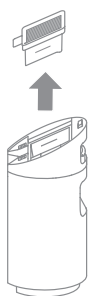


3. Den Schmutzwassertank und dessen Abdeckung mit sauberem Wasser abspülen. Innenwand des Tanks mit der mitgelieferten Reinigungsbürste reinigen.



4. Schließen Sie den Abdeckel des Schmutzwassertanks, installieren Sie Schmutzwassertank erneut und stellen Sie sicher, dass der Tank einrastet.



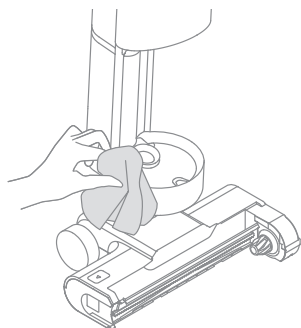


**Hinweis:**

- Wenn der Filter verschmutzt ist und gewaschen werden muss, spülen Sie ihn mit Wasser. Er muss vor Gebrauch vollständig trocken sein.
- Es wird empfohlen, den Filter alle 3 bis 6 Monate auszutauschen.

**Reinigung des Schlauches**

Nehmen Sie den Schmutzwassertank heraus. Wischen Sie den Schlauch vor dem Gebrauch mit einem feuchten Tuch ab.



Fehler	Mögliche Ursache	Lösung
Das Gerät funktioniert nicht.	Der Akku des Geräts ist leer oder der Akkustand ist niedrig.	Laden Sie den Akku vor dem Gebrauch vollständig auf.
	Der Akku des Geräts ist leer oder der Akkustand ist niedrig.	Stellen Sie das Gerät nach hinten.
	Blockierung aktiviert Überhitzungsschutz Modus.	Beseitigen Sie die Verstopfung und warten Sie, bis die Temperatur wieder normal ist.
	Der Schmutzwassertank ist voll.	Den Schmutzwassertank leeren.
	Der Reinwassertank ist leer.	Füllen Sie den Reinwassertank mit sauberem Wasser.
Das Gerät wird langsam aufgeladen	Die Teile sind nicht richtig installiert.	Vergewissern Sie sich, dass alle Teile richtig eingesetzt sind.
	Die Temperatur des Akkus ist zu niedrig oder zu hoch.	Warten Sie, bis die Batterietemperatur wieder normal ist.
Die Saugleistung des Gerätes ist niedrig.	Der Filter ist nicht installiert.	Stellen Sie sicher, dass der Filter installiert ist.
	Der Filter ist verstopft.	Den Filter reinigen.
	Der Saugelass oder das Rohr wird durch einen Fremdkörper blockiert.	Reinigen Sie das Rohr und die Saugöffnung.
Der Motor macht ein seltsames Geräusch.	Es gibt zu viel Schmutzwasser im Schmutzwassertank.	Den Schmutzwassertank leeren.
	Die Hauptaugöffnung ist blockiert.	Beseitigen Sie eventuelle Verstopfungen in der Hauptaugöffnung.
Die Akkustatusanzeige leuchtet während des Ladevorgangs nicht.	Der Netzadapterstecker ist nicht richtig in die Steckdose eingesteckt.	Vergewissern Sie sich, dass der Netzadapterstecker richtig eingesteckt ist.
	Das Gerät wird nicht richtig an die Ladestation angeschlossen.	Stellen Sie sicher, dass das Gerät richtig auf der Ladestation platziert ist.

Fehler	Mögliche Ursache	Lösung
Es kommt kein Wasser aus dem Gerät.	Der Reinwassertank ist nicht an seinem Platz installiert oder der Reinwassertank ist leer.	Bauen Sie den Reinwassertank wieder ein oder füllen Sie ihn.
	Es dauert 30 Sekunden, um die Bürsterolle zu befeuchten.	Schalten Sie das Gerät ein und überprüfen Sie es in 30 Sekunden erneut.
Wasseraustritt an der Oberseite des Schmutzwassertanks.	Das Gerät vom Boden abheben, es kippen oder um mehr als 140° nach hinten neigen.	Bewegen Sie das Gerät bei eingeschaltetem Zustand vorsichtig hin und her.
	Der Filter ist nach der Reinigung nicht vollständig trocken.	Den Filter vor Gebrauch gründlich abtrocknen.
Selbstreinigung ist fehlgeschlagen.	Ein Gegenstand verklemmt sich in der Bürstenrolle.	Öffnen Sie die Bürstenrolleabdeckung, um die Bürstenrolle zu überprüfen und zu reinigen.
	Das Gerät wird nicht richtig an die Ladestation angeschlossen.	Stellen Sie sicher, dass das Gerät beim Aufladen ist, bevor Sie die Selbstreinigungsfunktion aktivieren.
	Die Selbstreinigungsfunktion kann nur aktiviert werden, wenn das Gerät geladen ist und der Akkustand mehr als 20% beträgt.	Die Selbstreinigungsfunktion kann nur aktiviert werden, wenn das Gerät geladen ist und der Akkustand mehr als 20% beträgt.
	Der Schmutzwassertank ist nicht installiert oder der Schmutzwassertank ist voll.	Installieren oder leeren Sie den Schmutzwassertank.
	Der Reinwassertank ist nicht an seinem Platz installiert oder der Reinwassertank ist leer.	Bauen Sie den Reinwassertank wieder ein oder füllen Sie ihn.

Wenn irgendein Fehler bei der Verwendung des Produkts auftritt, wird der Bildschirm eine Fehlermeldung ausgeben. Sie sollten den Anweisungen auf dem Bildschirm folgen, um die normale Leistung sicherzustellen.

Fehlercode	Mögliche Ursache	Lösungen
E1/EE/EF	Motorfehler	Bitte kontaktieren Sie den Kundenservice.
E2/E3/E7/E8/E9	Batteriesusfall	Bitte kontaktieren Sie den Kundenservice.
E4/E5	Netzadapter inkompatibel	Bitte verwenden Sie den Original-Netzadapter, oder wenden Sie sich an den Kundendienst.
E6	Überhitzung von Batterie	Warten Sie, bis die Batterietemperatur wieder normal ist.

Für weitere Dienstleistungen kontaktieren Sie uns bitte über [aftersales@dreamtech.com](mailto:aftersales@dreamtech.com) <https://global.dreamtech.com>

Nass- & Trockensauger			
Modell	HHR21A	Ladezeit	Ca. 4,5 Stunden
Nennspannung	21,6 V ===	Ladespannung	26 V ===
Nennleistung	170 W	Sollkapazität	2300 mAh
Nennkapazität	2500 mAh	Kapazität des Schmutzwassertank	500 mL
Kapazität des Reinwassertank	900 mL		
Netzadapter			
Modell	YLS0251B-E260090	Durchschnittliche Aktive Effizienz	87,28%
Eingabe	100-240 V ~ 50/60 Hz 0,8 A Max	Effizienz bei Geringer Belastung (10%)	79,74%
Ausgabe	26 V === 0,9 A	Lastloser Stromverbrauch	0,08 W

## Entsorgung und Entfernung von Batterien

Die eingebaute Lithium-Ionen-Batterie enthält umweltgefährdende Substanzen. Stellen Sie vor der Entsorgung der Batterie sicher, dass die Batterie von qualifizierten Technikern entfernt und in einer geeigneten Recyclinganlage entsorgt wird.

- die Batterie muss vor dem Verschrotten aus dem Gerät entfernt werden;
- das Gerät muss beim Ausbau der Batterie vom Netz getrennt werden;
- die Batterie muss sicher entsorgt werden.

### ACHTUNG:

- Bevor Sie den Akku entfernen, trennen Sie die Stromversorgung und lassen Sie den Akku komplett leer laufen.
- Nicht benötigte Batterien sollten in einer geeigneten Recyclinganlage entsorgt werden.
- Lassen Sie den Akku nicht in einer Umgebung mit extrem hohen Temperaturen, um Explosionsrisiken zu vermeiden.
- Unter missbräuchlicher Verwendung kann Flüssigkeit aus der Batterie ausgestoßen werden. Wenn Sie aus Versehen anfassen, spülen Sie mit Wasser und suchen Sie medizinische Hilfe.

### Anleitung zum Entfernen

1. Entfernen Sie den Griff, den Zierring und die Schraubverschlüsse in der Mitte des Geräts.
2. Entfernen Sie die Schrauben auf der Rückseite des Geräts mit einem geeigneten Werkzeug und entfernen Sie dann die hintere Abdeckung.
3. Entfernen Sie die Schrauben am Batteriefachdeckel, um den Batteriefachdeckel zu öffnen.
4. Ziehen Sie die Klemmen zwischen der Batterie und der Leiterplatte ab, um die Batterie zu entfernen.

### Entsorgung von Elektro- und Elektronikgeräten



Die durchgestrichene Mülltonne bedeutet, dass Sie gesetzlich verpflichtet sind, diese Geräte einer vom unsortierten Siedlungsabfall getrennten Erfassung zuzuführen. Die Entsorgung über die Restmülltonne oder die gelbe Tonne ist untersagt. Enthalten die Produkte Batterien oder Akkus, die nicht fest verbaut sind, müssen diese vor der Entsorgung entnommen und getrennt als Batterie entsorgt werden.

### Möglichkeiten der Rückgabe von Altgeräten

Besitzer von Altgeräten können diese im Rahmen der durch öffentlich-rechtlichen Entsorgungsträger eingerichteten und zur Verfügung stehenden Möglichkeiten der Rückgabe oder Sammlung von Altgeräten abgeben, damit eine ordnungsgemäße Entsorgung der Altgeräte sichergestellt ist. Unter dem folgenden Link besteht die Möglichkeit, sich ein Onlineverzeichnis der Sammel- und Rücknahmestellen anzuzeigen zu lassen: <https://www.ear-system.de/ear-verzeichnis/sammel-und-ruecknahmestellen>.

### Datenschutz

Wir weisen alle Endnutzer von Elektro- und Elektronikaltgeräten darauf hin, dass Sie für das Löschen personenbezogener Daten auf den zu entsorgenden Altgeräten selbst verantwortlich sind.

# Consignes de Sécurité Importantes

Veillez lire attentivement ce manuel avant l'utilisation et le conserver pour référence ultérieure.

Lors de l'utilisation d'un appareil électrique, des précautions de base doivent toujours être prises, notamment les suivantes :

**LIRE TOUTES LES INSTRUCTIONS AVANT D'UTILISER (CET APPAREIL).** Le non-respect des avertissements et des instructions peut entraîner un choc électrique, un incendie et/ou des blessures graves.

**AVERTISSEMENT** – Pour réduire les risques d'incendie, de choc électrique ou de blessure :

## Restrictions d'Usage

- Cet appareil peut être utilisé par des enfants à partir de 8 ans et par des personnes ayant des capacités physiques, sensorielles ou mentales réduites ou un manque d'expérience et de connaissances à condition qu'elles aient été placées sous surveillance ou qu'elles aient reçu des instructions concernant l'utilisation de l'appareil en toute sécurité et qu'elles comprennent les dangers encourus.
- Le film plastique peut être dangereux. Pour éviter tout risque de suffocation, tenez-le à l'écart des enfants.
- N'utilisez l'appareil qu'à l'intérieur, sur des surfaces de sol non recouvertes de tapis, comme le vinyle, le carrelage, le bois scellé, etc. Veillez à ne pas rouler sur des objets non fixés ou sur les bords d'un tapis. Le fait de faire caler la brosse peut entraîner une défaillance prématurée de la courroie.
- N'utilisez que ce qui est décrit dans ce guide de l'utilisateur. N'utilisez que les accessoires recommandés par le fabricant.
- N'exposez pas l'appareil au feu ou à une température excessive. L'exposition au feu ou à une température excessive peut provoquer une explosion.
- Ne pas utiliser dans des environnements extrêmement chauds ou froids (en dessous de 5°C/41°F ou au-dessus de 40°C/104°F). Veillez charger l'appareil dans une température supérieure à 5°C/41°F et inférieure à 40°C/104°F).
- Ne plongez pas l'appareil dans un liquide.
- Évitez d'utiliser cet appareil pour ramasser des liquides inflammables ou combustibles, comme l'essence. Évitez d'utiliser cet appareil dans des endroits où des liquides inflammables ou combustibles peuvent être présents.
- Ne placez aucun objet dans les ouvertures. N'utilisez pas l'appareil si l'une de ses ouvertures est obstruée ; veillez à ce qu'elle soit exempte de poussière, de peluches, de cheveux et de tout ce qui pourrait empêcher la circulation de l'air.
- Ne ramassez pas de produits toxiques (eau de javel, ammoniac, nettoyant pour canalisations, etc.) Ne pas ramasser d'objets durs ou pointus tels que du verre, des clous, des vis, des pièces de monnaie, etc.
- N'utilisez pas l'appareil dans un espace clos rempli de vapeurs de peinture à l'huile, de diluant pour peinture, de certaines substances antimites, de poussières inflammables ou d'autres vapeurs explosives ou toxiques. Ne ramassez rien qui brûle ou qui fume, comme des cigarettes, des allumettes ou des cendres chaudes.
- Ne l'utilisez pas si les filtres ne sont pas en place.
- Tenez les cheveux, les vêtements amples, les doigts et toutes les parties du corps éloignés des ouvertures et des parties mobiles de l'appareil et de ses accessoires.
- Éloignez les câbles de terre de l'appareil lorsque vous l'utilisez, car un danger peut se présenter si l'appareil passe sur un cordon d'alimentation.
- Faites très attention lorsque vous nettoyez les escaliers.

# Consignes de Sécurité Importantes

- Keine anderen Flüssigkeiten als den offiziell zugelassenen Reinigungsmittel hinzufügen.

## Entretien et Stockage

- Empêchez tout démarrage involontaire. Assurez-vous que l'interrupteur est en position OFF avant de prendre ou de transporter l'appareil. Porter l'appareil avec votre doigt sur l'interrupteur ou sur un appareil sous tension dont l'interrupteur est allumé peut provoquer des accidents.
- Assurez-vous que l'appareil est placé sur une surface horizontale. N'utilisez pas l'appareil dans la même position si l'appareil est équipé d'une brosse à rouleau et que la poignée n'est pas complètement verticale. Ne stockez pas l'appareil dans un endroit où il pourrait geler.
- Éteignez et débranchez l'appareil lorsqu'il n'est pas utilisé, avant de le nettoyer, de l'entretenir ou de le réparer, et avant de le connecter ou de le déconnecter avec une brosse en mouvement.
- N'utilisez pas d'appareil endommagé ou modifié. Les piles endommagées ou modifiées peuvent avoir un comportement imprévisible et provoquer un incendie, une explosion ou un risque de blessure.
- Ne modifiez pas ou n'essayez pas de réparer l'appareil sauf comme indiqué dans les instructions d'utilisation et d'entretien.
- N'utilisez pas l'appareil avec un accessoire endommagé (eg: Base de charge, Adaptateur électrique etc.). Si l'accessoire est endommagé, il doit être remplacé par le fabricant, son agent de service ou des personnes qualifiées similaires afin d'éviter tout danger.
- Faites effectuer l'entretien par un réparateur qualifié utilisant uniquement des pièces de rechange identiques. Cela garantira que la sécurité du produit est maintenue.

## Batterie et Charge

- Pour recharger la batterie, utilisez uniquement l'adaptateur détachable fourni avec cet appareil. A utiliser uniquement avec l'adaptateur <YLS0251B-E260090>.
- Suivez toutes les instructions de chargement et ne chargez pas l'appareil en dehors de la plage de température spécifiée dans la batterie, car cela augmente le risque d'incendie.
- Éloignez les câbles de terre de l'appareil lorsque vous l'utilisez, car un danger peut se présenter si l'appareil passe sur un cordon d'alimentation.
- Ne tirez pas ou ne transportez pas l'adaptateur par le câble, ne vous servez pas du câble comme d'une poignée, ne fermez pas la porte sur le câble et ne tirez pas le câble autour de bords ou de coins aigus.
- Ce produit contient des batteries qui ne peuvent être remplacées que par des techniciens qualifiés ou par le service après-vente.
- Le bloc-piles au lithium contient des substances dangereuses pour l'environnement. Avant de mettre l'appareil au rebut, veuillez d'abord retirer le bloc-piles, puis le mettre au rebut ou le recycler conformément aux lois et réglementations locales du pays ou de la région où il est utilisé.
- L'appareil doit être débranché de l'alimentation électrique lors du retrait de la batterie. Gardez les piles hors de portée des enfants. Ne mettez jamais les piles dans la bouche. En cas d'ingestion, contactez votre médecin ou le centre antipoison local.

# Consignes de Sécurité Importantes

- Dans des conditions abusives, ne jamais entrer en contact avec la pile dont le liquide peut être éjecté. En cas de contact accidentel, rincez à l'eau. Si le liquide entre en contact avec les yeux, consultez immédiatement un médecin. Le liquide éjecté de la batterie peut provoquer des irritations ou des brûlures.

## Symboles



Lire le manuel de l'opérateur



Unité d'alimentation amovible



### Informations DEEE

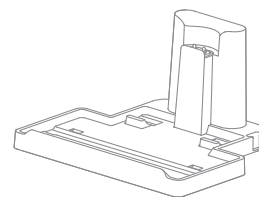
Tous les produits portant ce symbole deviennent des déchets d'équipements électriques et électroniques (DEEE dans la Directive européenne 2012/19/UE) qui ne doivent pas être mélangés aux déchets ménagers non triés. Vous devez contribuer à la protection de l'environnement et de la santé humaine en apportant l'équipement usagé à un point de collecte dédié au recyclage des équipements électriques et électroniques, agréé par le gouvernement ou les autorités locales. Le recyclage et la destruction appropriés permettront d'éviter tout impact potentiellement négatif sur l'environnement et la santé humaine. Contactez l'installateur ou les autorités locales pour obtenir plus d'informations concernant l'emplacement ainsi que les conditions d'utilisation de ce type de point de collecte.

Par la présente, Dreame Trading (Tianjin) Co., Ltd., déclare que cet équipement est conforme aux directives et normes européennes applicables, ainsi qu'à leurs amendements. L'intégralité de la déclaration de conformité pour l'UE est disponible à l'adresse suivante: <https://global.dreameotech.com>

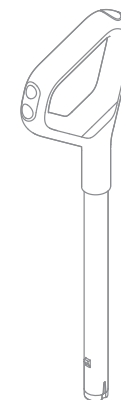
Pour obtenir un manuel électronique détaillé, rendez-vous sur le site <https://global.dreameotech.com/pages/user-manuals-and-faqs>

# Présentation du Produit

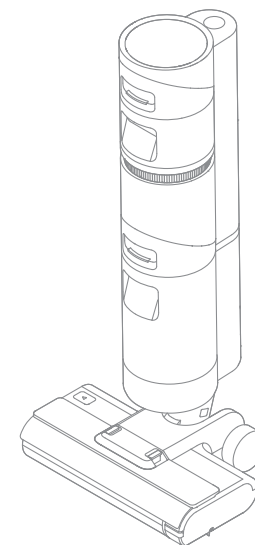
## Liste d'emballage



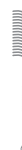
Station de chargement



Poignée



Corps principal



Brosse de nettoyage

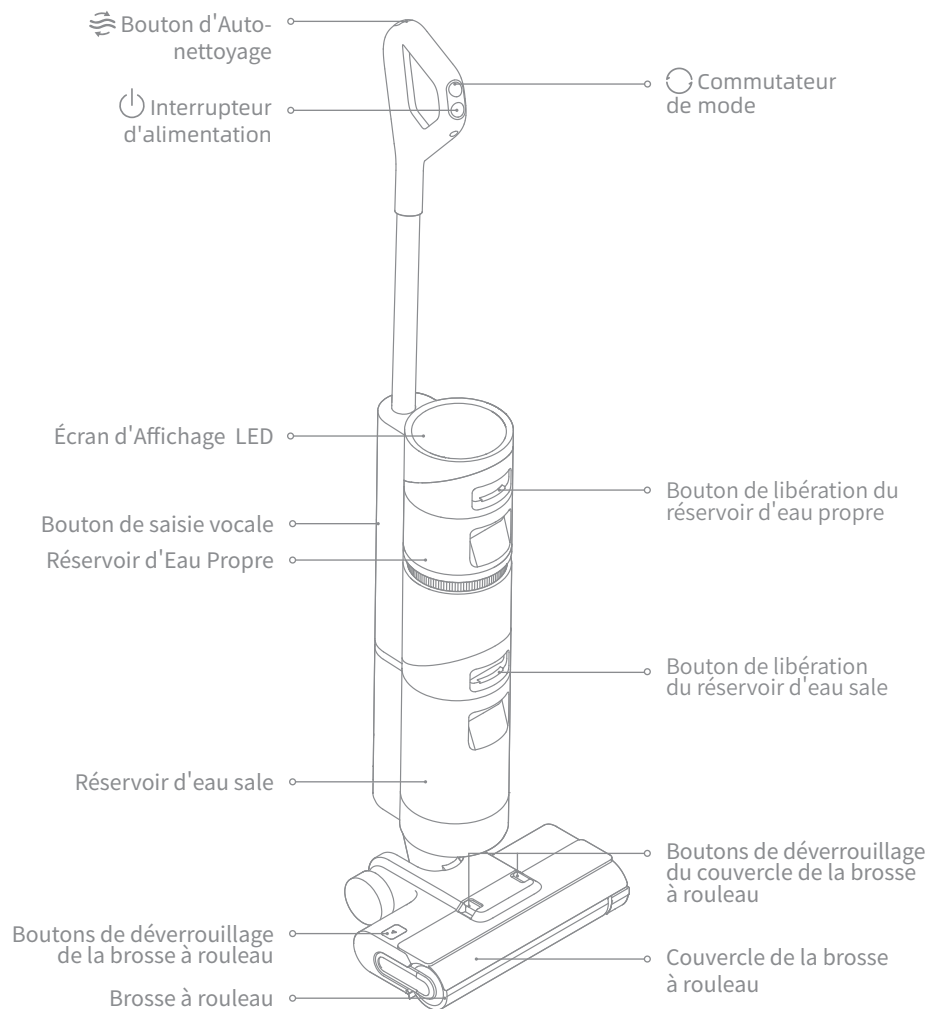


Adaptateur électrique

Remarque : Les images de ce manuel sont fournies à titre indicatif uniquement. Le produit réel peut être différent.

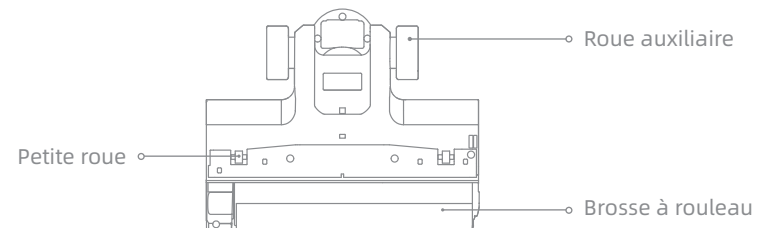
# Présentation du Produit

## Aspirateur

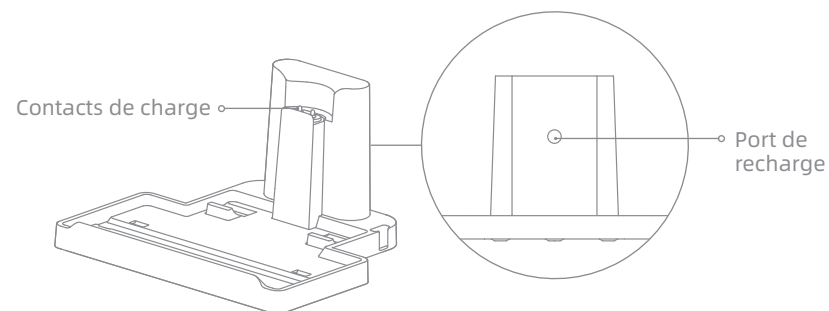


# Présentation du Produit

## Ensemble de Brosse à Rouleau

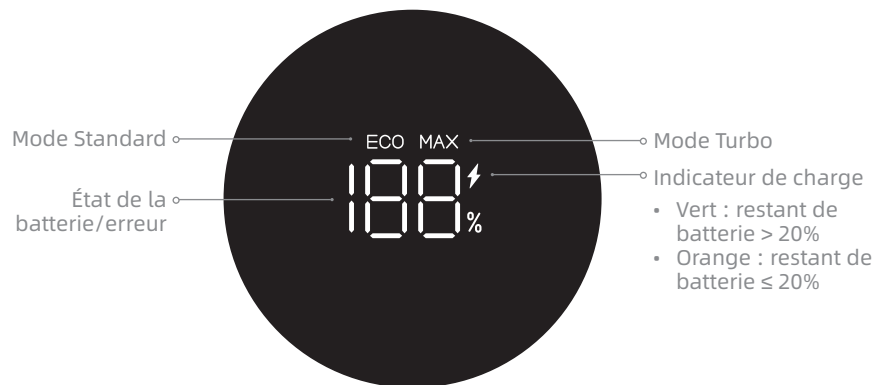


## Station de Chargement

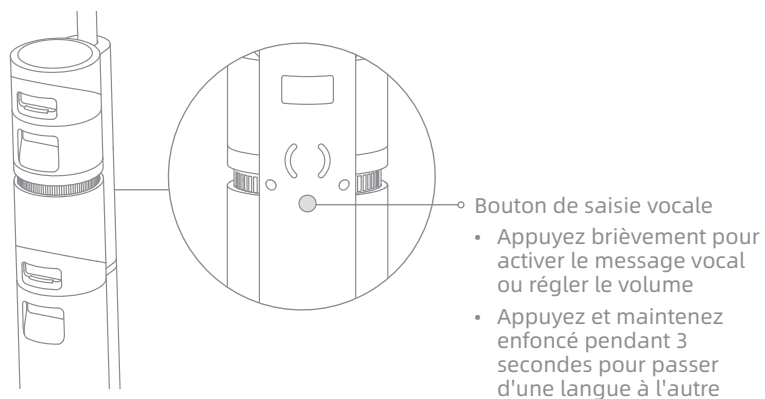


# Présentation du Produit

## Écran d'Affichage



## Bouton de Saisie Vocale

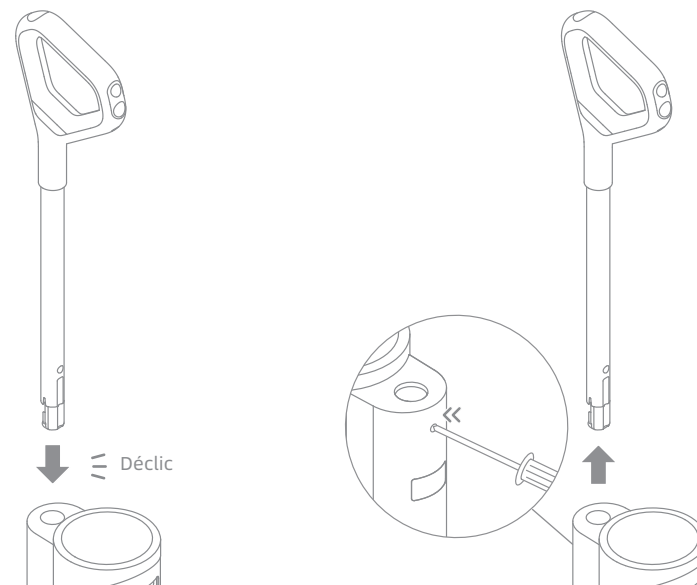


# Installation


## Installation de Poignée

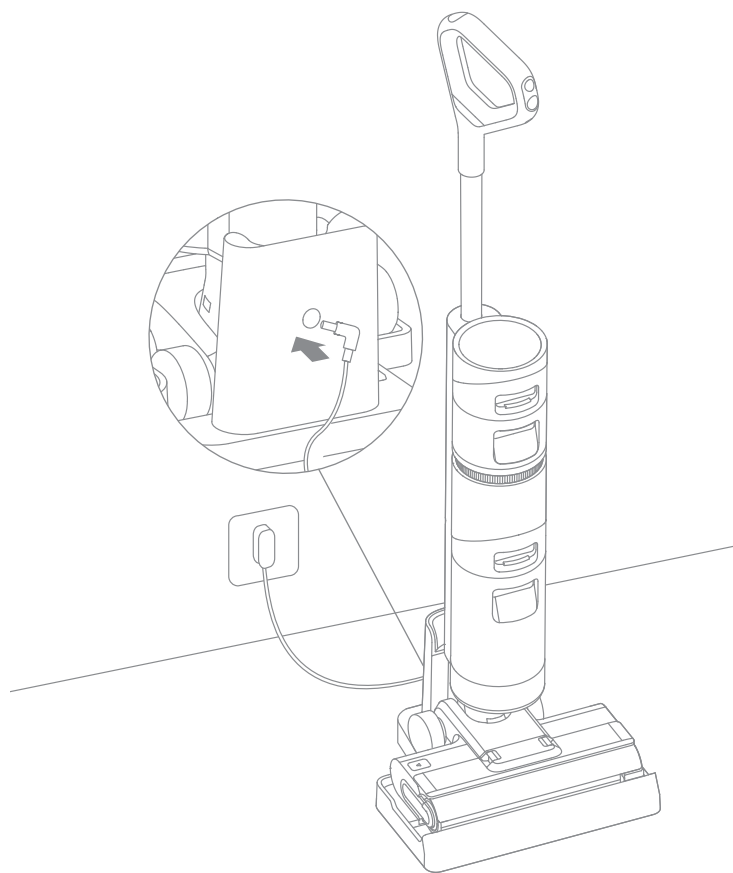
Insérez l'extrémité de la poignée verticalement dans le port sur le dessus de l'aspirateur comme indiqué, vous le sentirez cliquer en place.

Remarque : Pour démonter la poignée, veuillez utiliser un objet dur pour atteindre le trou à l'arrière de l'aspirateur afin d'appuyer sur le contact, et en même temps tirer la poignée vers le haut.



Remarque : Chargez complètement l'aspirateur avant de l'utiliser pour la première fois.

1. Placez la station de chargement sur un sol plat, contre un mur. Connectez une extrémité de l'adaptateur électrique à la station de chargement et l'autre extrémité à une prise de courant domestique.
2. Placez l'aspirateur sur la station de chargement, le  sur l'écran s'allume pour indiquer l'état de charge. Le chiffre sur l'écran d'affichage représente le niveau actuel de la batterie en pourcentage pendant la charge. Quand il sera à 100, la batterie est complètement chargée.



Remarque :

- Si aucune opération n'est effectuée dans les 5 minutes suivant la charge complète, l'aspirateur passe en mode veille. Veuillez redémarrer l'appareil si vous devez l'utiliser.
- Pour prolonger la durée de vie, la batterie refroidit automatiquement pendant environ une heure après une utilisation prolongée de l'appareil.

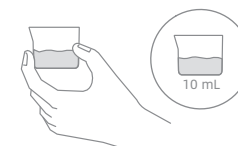
## Remplissage du Réservoir d'Eau propre

Appuyez sur le bouton de libération du réservoir d'eau propre pour retirer le réservoir. Ouvrez le couvercle du réservoir et remplissez le réservoir d'eau propre.




## Ajouter du Liquide de Nettoyage

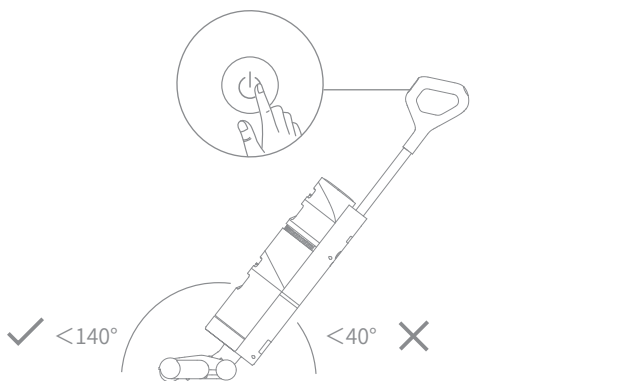
Pour de meilleures performances de nettoyage, il est recommandé d'ajouter 10 mL de détergent avec le bouchon du flacon dans le réservoir d'eau propre rempli, puis de secouer légèrement et uniformément avant utilisation.



Remarque : N'ajoutez aucun liquide autre que le nettoyeur officiellement approuvé. Le nettoyeur est disponible sur le magasin officiel en ligne.

## Démarrage du Nettoyage

Appuyez doucement sur le couvercle de la brosse et inclinez l'appareil vers l'arrière.  
Appuyez sur l'interrupteur d'alimentation  pour démarrer/arrêter le fonctionnement.

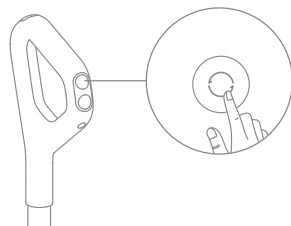


### Remarque :

- Ne pas utiliser pour aspirer des liquides mousseux.
- Si l'appareil est en position verticale pendant le travail, la tâche en cours sera suspendue.
- L'appareil est adapté au nettoyage des sols, du marbre, des carreaux et autres surfaces dures.
- Pendant le fonctionnement de l'appareil, évitez de le soulever du sol, de le pencher ou de l'incliner vers l'arrière à un angle supérieur à  $140^\circ$ . Cela peut entraîner l'écoulement de l'eau sale dans le moteur.

## Changement de Modes

Lorsque l'appareil est allumé, il se met sur le mode standard par défaut. Vous pouvez passer au mode turbo selon les besoins réels.



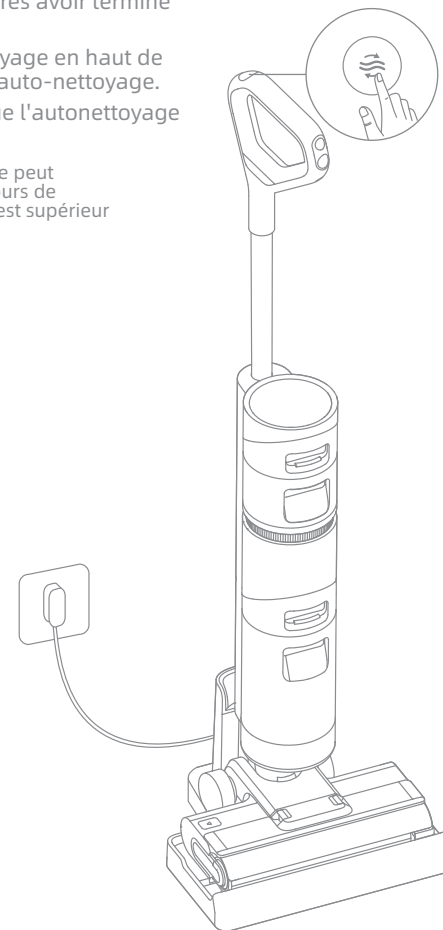
### Conseils :

- Éteignez l'appareil avant de procéder à l'entretien. Ne touchez pas l'interrupteur d'alimentation.
- Les pièces doivent être remplacées si nécessaire, veuillez utiliser les pièces désignées par l'usine d'origine afin de ne pas endommager le produit en raison d'une inadéquation.
- Si l'appareil n'est pas utilisé pendant une période prolongée, chargez-le complètement, débranchez l'adaptateur d'alimentation et rangez l'appareil dans un endroit frais, peu humide et à l'abri des rayons directs du soleil. Pour éviter une décharge excessive de la batterie, chargez l'appareil au moins une fois tous les 3 mois.

## Auto-Nettoyage en Un Clic

1. Remplacez l'appareil sur la station après avoir terminé le nettoyage.
2. Appuyez sur le bouton d'auto-nettoyage en haut de la poignée pour démarrer/arrêter l'auto-nettoyage.
3. Videz le Réservoir d'Eau usée lorsque l'autonettoyage est terminé. Ensuite,

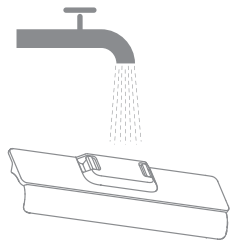
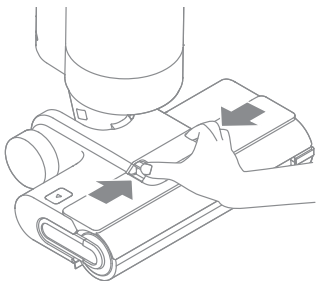
Remarque : La fonction d'auto-nettoyage ne peut être activée que lorsque l'appareil est en cours de chargement et que le niveau de la batterie est supérieur à 20%.



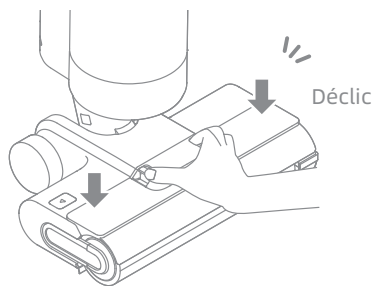
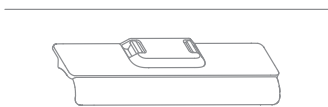
# Entretien et Maintenance

## Nettoyage du Couvercle de la Brosse

1. Appuyez sur les boutons de déverrouillage du couvercle du rouleau-brosse vers l'intérieur des deux côtés pour retirer le couvercle du rouleau-brosse.



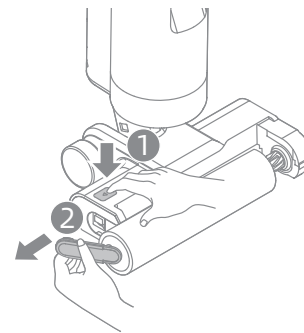
2. Le couvercle de la brosse peut être rincé à l'eau claire ou essuyé avec un torchon. Séchez-le complètement avant de le réutiliser.



# Entretien et Maintenance

## Nettoyage du Rouleau-Brosse

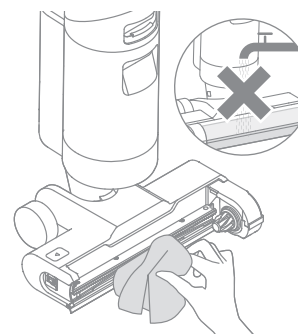
1. Appuyez sur le bouton de déverrouillage du rouleau-brosse et la poignée du rouleau-brosse sortira. Tirez sur la poignée pour sortir le rouleau brosse.



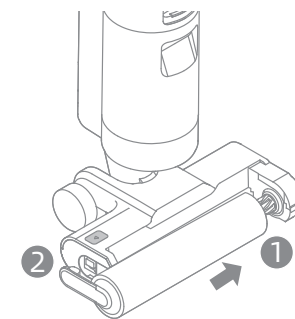
2. Retirez les cheveux et débris emmêlés dans la brosse à rouleau. Rincez la brosse à rouleau à l'eau claire et séchez-la complètement.



3. Essuyez l'entrée d'aspiration avec un chiffon sec ou un tissu humide.



4. Réinstallez le rouleau brosse jusqu'à ce que vous entendiez un déclic.



**Avertissement :** Pour éviter le risque de choc électrique ou de blessure, ne rincez pas l'ensemble de brosse à rouleau avec de l'eau !

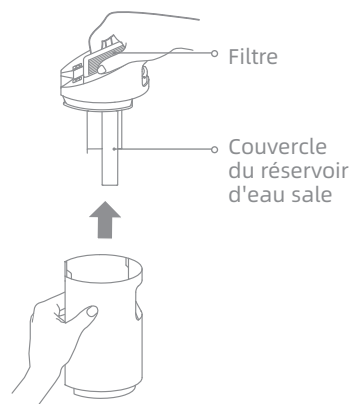
**Remarque :** Nettoyez-la si nécessaire. Il est recommandé de remplacer la brosse à rouleau tous les 3 à 6 mois.

## Nettoyage du Réservoir d'Eau Sale et du Filtre

1. Appuyez sur le bouton de libération du réservoir d'eau sale et sortez le réservoir d'eau sale.



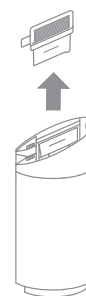
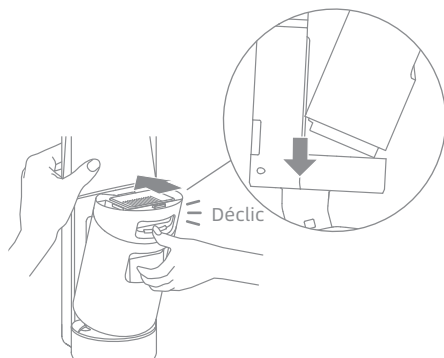
2. Retirez le filtre du couvercle du réservoir d'eau sale. Retirez le couvercle du réservoir et versez l'eau sale.



3. Rincez le réservoir d'eau sale et le couvercle du réservoir avec de l'eau propre. Nettoyez la paroi intérieure du réservoir avec la brosse de nettoyage fournie.



4. Fermez le couvercle du réservoir d'eau sale, réinstallez le réservoir et assurez-vous que le réservoir s'enclenche en place.

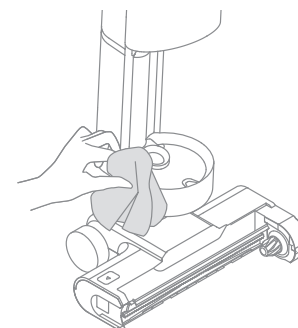


Remarque :

- lorsque le filtre est sale et doit être lavé, rincez-le à l'eau. Il doit être complètement sec avant d'être utilisé.
- Il est recommandé de remplacer le filtre tous les 3 à 6 mois.

## Nettoyage du tube

Retirez le réservoir d'eau sale. Essayez le tube avec un chiffon humide avant l'utilisation.



# Indication Pour la Panne

Erreur	Cause Possible	Solution
L'appareil ne fonctionne pas.	L'appareil n'a plus de batterie ou son niveau de batterie est faible.	Chargez complètement sa batterie avant de l'utiliser.
	L'appareil n'a plus de batterie ou son niveau de batterie est faible.	Inclinez l'appareil vers l'arrière.
	Blocage activé du mode de protection contre la surchauffe.	Éliminez l'obstruction et attendez que la température redevienne normale.
	Le réservoir d'eau sale est plein.	Videz le réservoir d'eau sale.
	Le réservoir d'eau propre est vide.	Remplissez le réservoir d'eau propre avec de l'eau.
	Les pièces ne sont pas installées à leur place.	Assurez-vous que les pièces sont bien en place.
L'appareil se charge lentement.	La température de la batterie est trop basse ou trop élevée.	Attendez que la température de la batterie redevienne normale.
La puissance d'aspiration de l'appareil est faible.	Le filtre n'est pas bien installé.	Assurez-vous que le filtre est bien installé.
	Le filtre est bouché.	Nettoyage du filtre.
	L'entrée ou le tube d'aspiration est bloqué par un corps étranger.	Nettoyez le tube et l'entrée d'aspiration.
Le moteur émet un bruit étrange.	Il y a trop d'eau sale dans le réservoir d'eau usée.	Videz le réservoir d'eau sale.
	L'ouverture d'aspiration principale est bloquée.	Éliminez tout blocage dans l'ouverture d'aspiration principale.
L'indicateur d'état de la batterie ne s'allume pas pendant la charge.	La fiche de l'adaptateur secteur n'est pas correctement insérée dans la prise électrique.	Assurez-vous que la fiche de l'adaptateur secteur est bien insérée.
	L'appareil n'est pas placé correctement sur la station de chargement.	Assurez-vous que l'appareil est placé correctement sur la base de chargement.

# Indication Pour la Panne

Erreur	Cause Possible	Solution
Il n'y a pas d'eau qui sort de l'appareil.	Le réservoir d'eau propre n'a pas été installé en place ou le réservoir d'eau propre est vide.	Réinstallez ou remplissez le réservoir d'eau propre.
	Il faut 30 secondes pour humidifier le rouleau-brosse.	Mettez l'appareil en marche et vérifiez à nouveau dans 30 secondes.
Fuite d'eau par le haut du réservoir d'eau sale.	Soulevez l'appareil du sol, penchez-le ou inclinez-le vers l'arrière à un angle supérieur à 140°.	Tirez doucement l'appareil d'avant en arrière lorsqu'il est allumé.
	Le filtre n'est pas complètement sec après avoir été nettoyé.	Séchez complètement le filtre avant de l'utiliser.
L'autonettoyage a échoué.	La brosse à rouleau est peut-être bloquée par de grosses particules.	Ouvrez le couvercle de la brosse à rouleau pour la vérifier et nettoyer.
	L'appareil n'est pas placé correctement sur la station de chargement.	Assurez-vous que l'appareil est chargé avant d'activer la fonction d'autonettoyage.
	La fonction d'auto-nettoyage ne peut être activée que lorsque l'aspirateur est chargé et que le restant de la batterie est supérieur à 20%.	La fonction d'auto-nettoyage ne peut être activée que lorsque l'aspirateur est chargé et que le restant de la batterie est supérieur à 20%.
	Le réservoir d'eau sale n'est pas installé en place ou le réservoir d'eau sale est plein	Réinstallez ou videz le réservoir d'eau sale.
	Le réservoir d'eau propre n'a pas été installé en place ou le réservoir d'eau propre est vide	Réinstallez ou remplissez le réservoir d'eau propre.

## Messages d'erreur et Solutions

Si vous devez prêter attention à une anomalie quelconque pendant l'utilisation du produit, l'écran affichera un message d'avertissement. Vous devez suivre les instructions à l'écran pour que les performances restent normales.

Code d'Erreur	Cause Possible	Solutions
E1/EE/EF	Erreur de moteur	Veillez contacter le service clientèle.
E2/E3/E7/E8/E9	Défaillance de la batterie	Veillez contacter le service clientèle.
E4/E5	Adaptateur électrique incompatible	Veillez utiliser l'adaptateur électrique original ou contacter le service clientèle.
E6	Surchauffe de la batterie	Attendez que la température de la batterie redevienne normale.

Pour des services supplémentaires, veuillez nous contacter via [aftersales@dreame.tech](mailto:aftersales@dreame.tech)  
<https://global.dreame.tech>

## Caractéristiques

Aspirateur			
Modèle	HHR21A	Temps de charge	Environ. 4,5 heures
Tension nominale	21,6 V ===	Tension de charge	26 V ===
Puissance nominale	170 W	Capacité de fonctionnement	2300 mAh
Capacité nominale	2500 mAh	Capacité du réservoir d'eau sale	500 mL
Capacité serbatoio dell'acqua pulita	900 mL		
Adaptateur électrique			
Modèle	YLS0251B-E260090	Efficacité moyenne active	87,28%
Entrée	100-240 V~ 50/60 Hz 0,8 A Max	Efficacité à faible charge (10%)	79,74%
Sortie	26 V === 0,9 A	Consommation à faible puissance	0,08 W

# Mise au rebut et retrait de la batterie

La batterie lithium-ion intégrée contient des substances dangereuses pour l'environnement. Avant de mettre la batterie au rebut, assurez-vous qu'elle est retirée par des techniciens qualifiés et mise au rebut dans un centre de recyclage approprié.

- la batterie doit être retirée de l'appareil avant d'être mise au rebut ;
- l'appareil doit être déconnecté du réseau électrique lors du retrait de la batterie ;
- la batterie doit être mise au rebut en toute sécurité.

## ATTENTION :

- Avant de retirer la batterie, débranchez l'appareil et videz la batterie autant que possible.
- Les batteries inutilisées doivent être mises au rebut dans un centre de recyclage approprié.
- Ne pas exposer à un environnement à haute température pour éviter les risques d'explosion.
- Dans des conditions abusives, un liquide peut être éjecté de la batterie. En cas de contact, rincez à l'eau et consultez un médecin.

## Guide de retrait

1. Retirez la poignée, l'anneau décoratif au milieu de l'appareil et les bouchons à vis.
2. Utilisez un outil approprié pour retirer les vis situées à l'arrière de l'appareil, puis retirez le couvercle arrière.
3. Retirez les vis du couvercle de la batterie pour ouvrir le couvercle de la batterie.
4. Débranchez les bornes entre la batterie et la carte de circuit imprimé pour retirer la batterie.



FR

Cet appareil,  
ses accessoires,  
piles et cordons  
se recyclent

À DÉPOSER  
EN MAGASINÀ DÉPOSER  
EN DÉCHÈTERIE

OU

Points de collecte sur [www.quefairedemesdechets.fr](http://www.quefairedemesdechets.fr)  
Privilégiez la réparation ou le don de votre appareil !

# Istruzioni Importanti per la Sicurezza

Leggere attentamente questo manuale prima dell'uso e conservarlo per riferimento futuro.

Quando si utilizza un apparecchio elettrico, è necessario seguire sempre le precauzioni di base, comprese le seguenti:

**LEGGERE TUTTE LE ISTRUZIONI PRIMA DI UTILIZZO (QUESTO APPARECCHIO).** La mancata osservanza delle avvertenze e delle istruzioni può provocare scosse elettriche, incendi e/o lesioni gravi.

**AVVERTENZA** - Per ridurre il rischio di incendi, scosse elettriche o lesioni:

## Restrizioni di Utilizzo

- Questo prodotto non deve essere utilizzato da bambini di età inferiore a 8 anni, né da persone con deficit fisici, sensoriali, cognitivi, esperienza o conoscenza limitata, senza la supervisione di un genitore o tutore, al fine di garantire la sicurezza del funzionamento ed evitare eventuali rischi. La pulizia e la manutenzione non devono essere eseguite da bambini senza supervisione.
- La pellicola di plastica può essere pericolosa. Per evitare il pericolo di soffocamento, tenerlo lontano dalla portata dei bambini.
- Utilizzare solo in interni, su superfici non rivestite di tappeto come vinile, piastrelle, legno sigillato, ecc. Fare attenzione a non calpestare oggetti sciolti o bordi di tappeti. Lo stallo della spazzola può provocare un guasto prematuro della cinghia.
- Utilizzare solo come descritto in questa guida per l'utente. Utilizzare solo gli accessori consigliati dal produttore.
- Non esporre l'apparecchio a fiamme o temperature eccessive. L'esposizione al fuoco o ad una temperatura eccessiva può provocare un'esplosione.
- Non usare in ambienti estremamente caldi o freddi (sotto 5°C/41°F o sopra 40°C/104°F). Per favore ricarica l'apparecchio a temperature superiori a 5°C /41°F e inferiori a 40°C/104°F).
- Non immergere l'apparecchio in liquidi.
- Non usare per raccogliere liquidi infiammabili o combustibili, come benzina. Non usare in aree dove possono essere presenti liquidi infiammabili o combustibili.
- Non mettere nessun oggetto nelle aperture. Non usare l'apparecchio quando una qualsiasi apertura è ostruita; mantieni esente da polvere, lanugine, capelli e qualsiasi cosa possa inibire il flusso d'aria.
- Non raccogliere materiale tossico (candeggina a base di cloro, ammoniaca, detergente per scarichi, ecc.). Non raccogliere oggetti duri o appuntiti come vetro, chiodi, viti, monete, ecc.
- Non utilizzare l'apparecchio in uno spazio chiuso pieno di vapori emessi da vernici a base di olio, diluenti per vernici, alcune sostanze antitarre, polvere infiammabile o altri vapori esplosivi o tossici. Non raccogliere nulla che stia bruciando o fumando, come sigarette, fiammiferi o cenere calda.
- Non utilizzarlo senza filtri in posizione.
- Tenere i capelli, i vestiti larghi, le dita e tutte le parti del corpo lontani dalle aperture e dalle parti in movimento dell'apparecchio e dei suoi accessori.
- Tieni i cavi di messa a terra lontani dall'apparecchio durante l'uso, poiché un pericolo potrebbe verificarsi se l'apparecchio passa su un cavo di alimentazione.
- Prestare particolare attenzione durante la pulizia delle scale.
- Non aggiungere liquidi diversi dal detergente ufficialmente approvato.

## Manutenzione e Conservazione

- Impedire l'avviamento accidentale. Assicurarsi che l'interruttore sia in posizione OFF prima di sollevare o trasportare l'apparecchio. Trasportare l'apparecchio con il dito sull'interruttore o mettere sotto tensione l'apparecchio con l'interruttore acceso può provocare incidenti.
- Assicurarsi che l'apparecchio sia posizionato su una superficie orizzontale. Non utilizzare l'apparecchio nella stessa posizione se è dotato di spazzola rotante e il manico non è completamente in posizione verticale. Non riporre l'elettrodomestico in un luogo in cui potrebbe gelare.
- Spegni e scollega l'apparecchio quando non è in uso, prima di pulirlo, manutenzionarlo o ripararlo, e prima di collegarlo o scollegarlo con una spazzola mobile.
- Non utilizzare un apparecchio danneggiato o modificato. Le batterie danneggiate o modificate possono presentare un comportamento imprevedibile con conseguenti incendi, esplosioni o rischio di lesioni.
- Non modificare o tentare di riparare l'apparecchio salvo quanto indicato nelle istruzioni per l'uso e la cura.
- Non usare l'apparecchio con un accessorio danneggiato (es: Base di ricarica, Adattatore di Alimentazione, ecc.). Se l'accessorio è danneggiato, deve essere sostituito dal produttore, dal suo agente di servizio o da persone persona con qualifica simile al fine di evitare pericoli.
- Far eseguire la manutenzione da un tecnico qualificato utilizzando solo parti di ricambio identiche. Ciò garantirà il mantenimento della sicurezza del prodotto.

## Batteria e Ricarica

- Per ricaricare la batteria, usa solo l'adattatore rimovibile fornito con questo apparecchio. Usa solo con adattatore <YLS0251B-E260090>.
- Segui tutte le istruzioni per la ricarica e non ricaricare l'apparecchio al di fuori dell'intervallo di temperatura specificato nella batteria, poiché ciò aumenta il rischio di incendio.
- Tieni i cavi di messa a terra lontani dall'apparecchio durante l'uso, poiché un pericolo potrebbe verificarsi se l'apparecchio passa su un cavo di alimentazione.
- Non tirare o trasportare l'adattatore tramite cavo, usare il cavo come maniglia, chiudere la porta sul cavo o tirare il cavo attorno a spigoli vivi o angoli.
- Questo prodotto contiene batterie che possono essere sostituite solo da tecnici qualificati o dal servizio post-vendita.
- La batteria al litio contiene sostanze pericolose per l'ambiente. Prima di smaltire l'apparecchio, rimuovi prima il pacco batteria, quindi smaltiscilo o ricicla in conformità con le leggi e le normative locali del paese o della regione in cui è usato.
- L'apparecchio deve essere scollegato dall'alimentazione quando rimuovi la batteria. Tieni le batterie fuori dalla portata dei bambini. Non mettere mai le batterie in bocca. In caso di ingestione, contatta il tuo medico o il controllo antiveneni locale.
- In condizioni abusive, non contattare mai la batteria da cui potrebbe essere espulso il liquido. In caso di contatto accidentale, sciacqua con acqua. Se il liquido viene a contatto con gli occhi, consulta immediatamente un medico. Il liquido espulso dalla batteria può causare irritazioni o ustioni.

## Simboli



Leggi il manuale dell'operatore



Unità di alimentazione staccabile



### Informazioni RAEE

Tutti i prodotti contrassegnati da questo simbolo sono rifiuti di apparecchiature elettriche ed elettroniche (RAEE in base alla direttiva 2012/19/UE) che non devono essere smaltiti assieme a rifiuti domestici non differenziati. Al contrario, è necessario proteggere l'ambiente e la salute umana consegnando i rifiuti a un punto di raccolta autorizzato al riciclaggio di rifiuti di apparecchiature elettriche ed elettroniche, predisposto dalla pubblica amministrazione o dalle autorità locali. Lo smaltimento e il riciclaggio corretti aiutano a prevenire conseguenze potenzialmente negative all'ambiente e alla salute umana. Contattare l'installatore o le autorità locali per ulteriori informazioni sulla sede e per i termini e le condizioni di tali punti di raccolta.

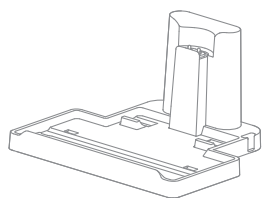
Scatola	Manuale	Borsa	Pellicola	Pellicola	Maniglia
PAP 20	PAP 22	CPE 7	PET 1	PP 5	PE 4/PP 5
Carta		Plastica			
<b>RACCOLTA DIFFERENZIATA</b>					
Verifica le disposizioni del tuo Comune. Separa le componenti e conferiscile in modo corretto.					

Con la presente, Dreame Trading (Tianjin) Co., Ltd., dichiara che questo apparecchio è conforme alle direttive applicabili e alle norme europee, nonché ai relativi emendamenti. Il testo completo della dichiarazione di conformità UE è disponibile al seguente indirizzo Internet: <https://global.dreameotech.com>

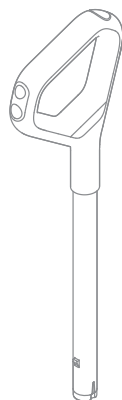
Il manuale elettronico dettagliato è disponibile all'indirizzo <https://global.dreameotech.com/pages/user-manuals-and-faqs>

# Introduzione del Prodotto

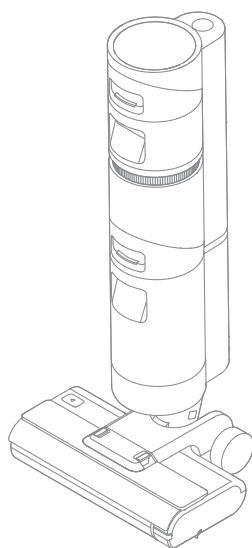
## Lista Imballaggio



Base di Ricarica



Maniglia



Dispositivo Principale



Spazzola per la Pulizia

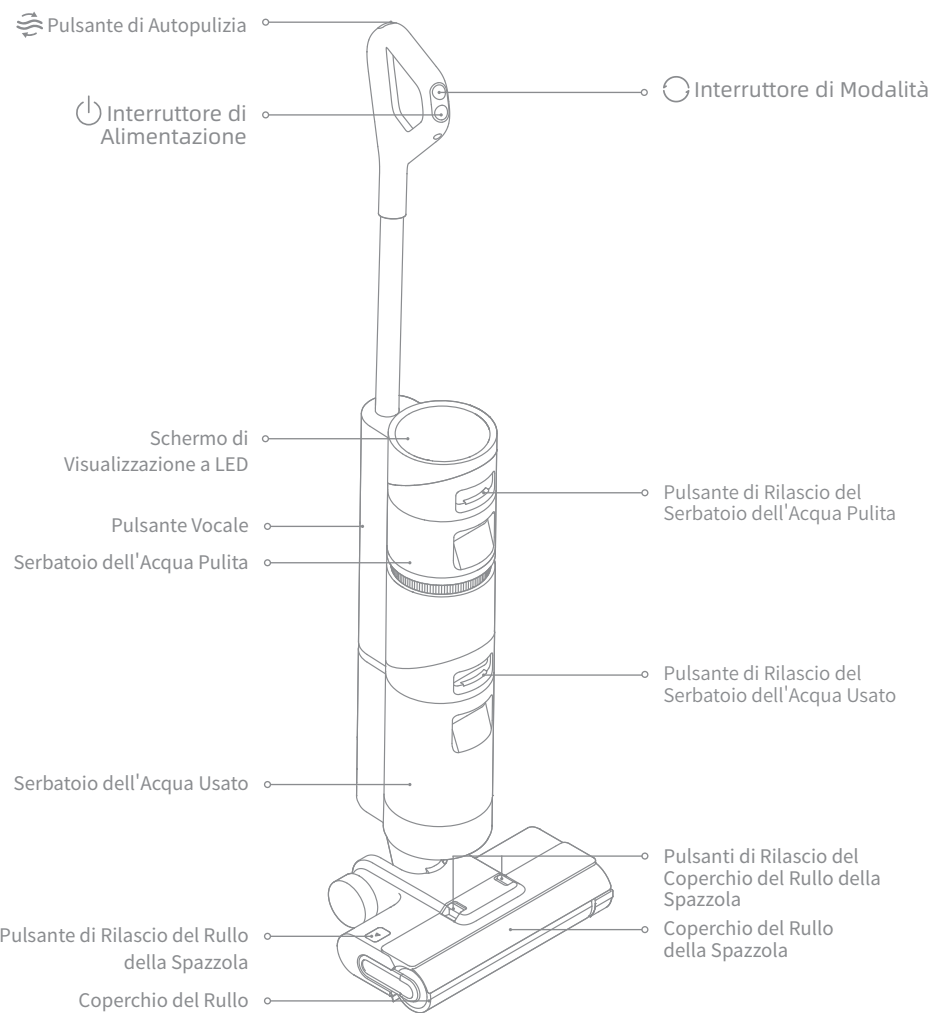


Adattatore di Alimentazione

Nota: Le immagini in questo manuale sono solo a scopo illustrativo. Il prodotto reale potrebbe differire.

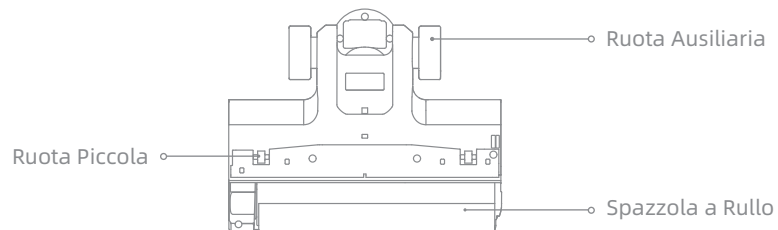
# Introduzione del Prodotto

## Aspirapolvere

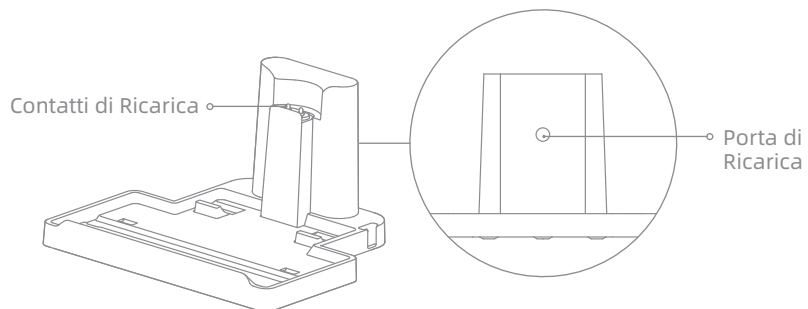


# Introduzione del Prodotto

## Accessori della Spazzola a Rullo

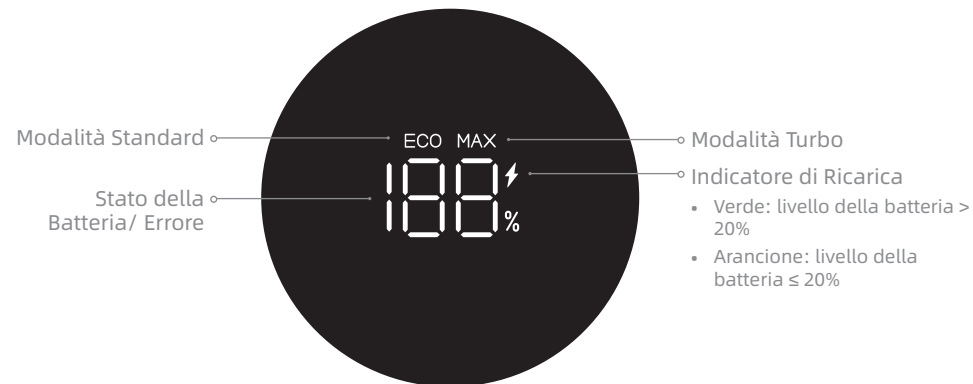


## Base di Ricarica

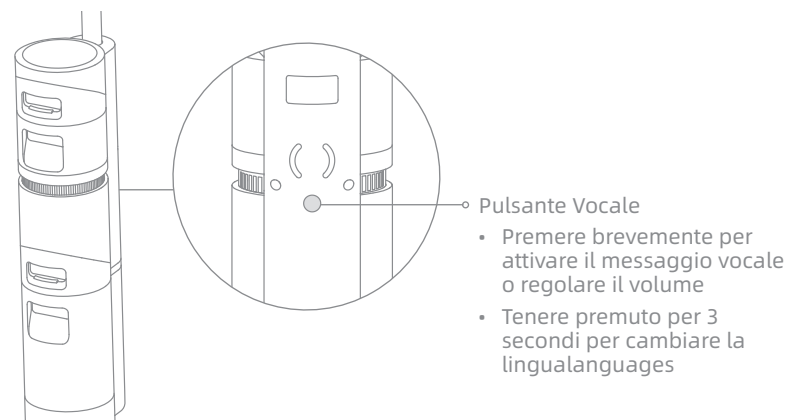


# Introduzione del Prodotto

## Schermo di Visualizzazione



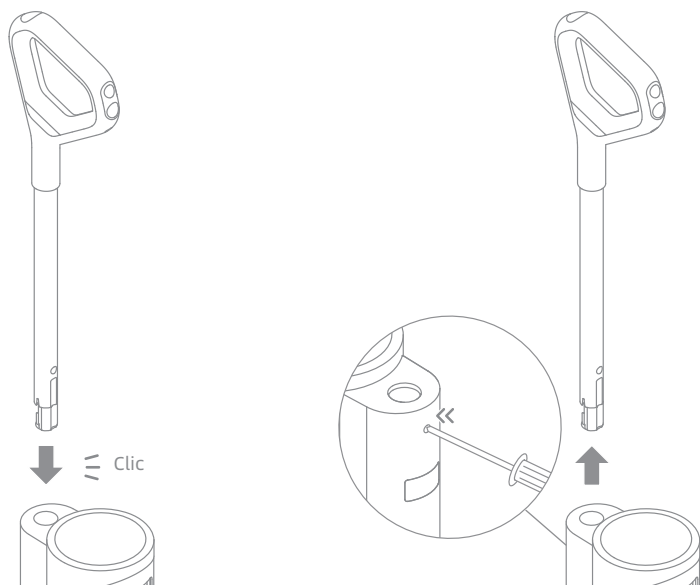
## Pulsante Vocale




**Installazione della Maniglia**

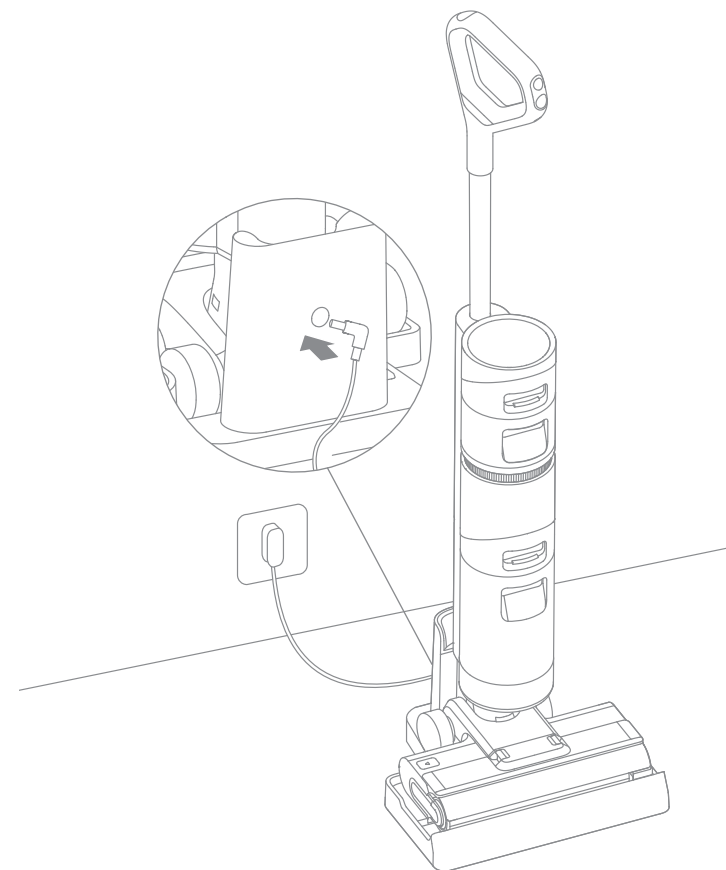
Inserire il fondo della maniglia verticalmente nella porta sulla parte superiore dell'aspirapolvere secondo la direzione mostrata nella figura e l'installazione è riuscita quando si sente un clic.

Nota: Per smontare la maniglia, utilizzare un oggetto duro per raggiungere il foro sul retro dell'aspirapolvere per premere il contatto e allo stesso tempo estrarre la maniglia verso l'alto.



Nota: Caricare completamente l'aspirapolvere prima di utilizzarlo per la prima volta.

1. Posizionare la base di ricarica su una superficie piana contro muro. Collegare un'estremità dell'adattatore di alimentazione alla base di ricarica e l'altra estremità a una presa domestica.
2. Posizionare l'aspirapolvere sulla base di ricarica,  sullo schermo si accende per indicare lo stato di carica. Il numero sullo schermo rappresenta il livello attuale della batteria in percentuale durante la carica. Quando il numero è 100, la batteria è completamente carica.



Nota:

- Se non c'è alcuna operazione entro 5 minuti prima di essere ricaricato completamente, l'aspirapolvere entrerà in modalità di sospensione. Per favore riavvia l'apparecchio se hai bisogno di usarlo.
- Per prolungare la durata della batteria, la batteria continua a raffreddarsi automaticamente per circa un'ora dopo che hai usato l'apparecchio per un lungo periodo.

## Istruzioni per l'Uso

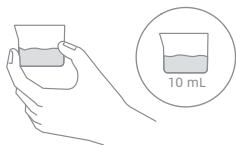
### Riempire il Serbatoio dell'Acqua Pulita

Premi il pulsante di rilascio del Serbatoio dell'Acqua Pulita per rimuovere il serbatoio. Apri il coperchio del serbatoio e riempi il serbatoio con acqua pulita.



### Aggiunta di Liquido Detergente

Per una migliore prestazione di pulizia, si consiglia di aggiungere 10 mL di detergente con il tappo del flacone nel serbatoio dell'acqua pulita pieno, quindi agitare delicatamente e in modo uniforme per l'uso.

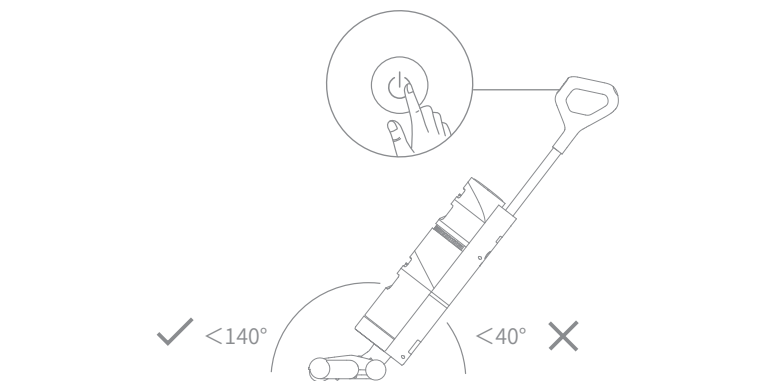


Nota: Non aggiungere altri liquidi oltre al detergente approvato ufficialmente. Il detergente è disponibile presso il negozio online ufficiale.

## Istruzioni per l'Uso

### Iniziare la Pulizia

Calpesta delicatamente il coperchio della spazzola e reclina l'apparecchio all'indietro. Premi l'interruttore di alimentazione  per avviare / interrompere il funzionamento.

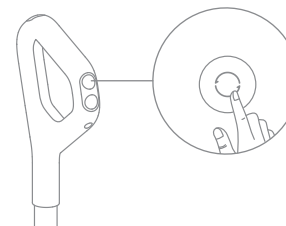


Nota:

- Non usare per aspirare liquidi schiumosi.
- Se l'apparecchio è in posizione verticale durante il funzionamento, il compito corrente sarà sospeso.
- L'apparecchio è adatto per la pulizia di pavimenti, marmo, piastrelle e altre superfici dure.
- Quando l'apparecchio è in funzione, non sollevarlo da terra, non inclinarlo e non reclinarlo all'indietro di oltre  $140^\circ$ . In questo modo, l'acqua usata potrebbe fluire nel motore.

### Cambiare le Modalità

Quando l'apparecchio viene acceso, si imposta sulla modalità standard. È possibile passare alla modalità turbo in base alle esigenze effettive.



## Cura & Manutenzione

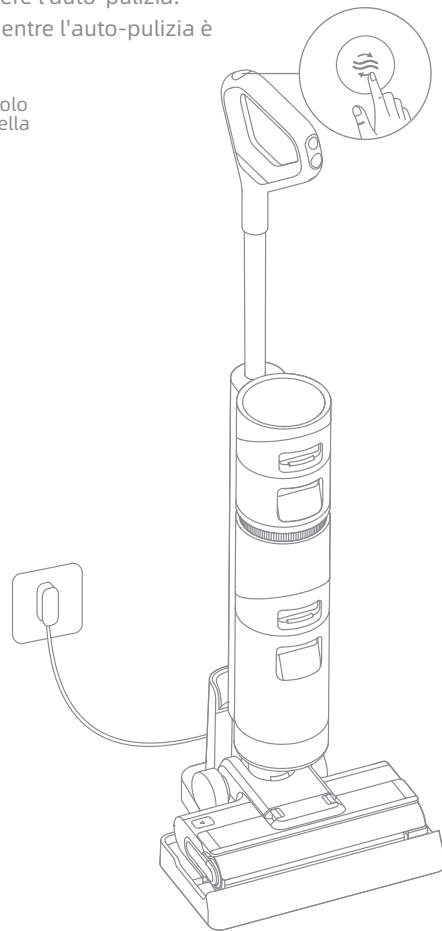
Suggerimenti:

- Spegni l'apparecchio prima della manutenzione. Non toccare l'interruttore di alimentazione.
- Le parti devono essere sostituite se necessario, si prega di utilizzare le parti designate dalla fabbrica originale per evitare danni al prodotto a causa di inadeguatezza.
- Se l'apparecchio non è usato per un periodo esteso, ricaricalo completamente, scollega l'adattatore di alimentazione e riponi l'apparecchio in un ambiente fresco e poco umido, lontano dalla luce solare diretta. Per evitare una scarica eccessiva della batteria, ricarica l'apparecchio almeno una volta ogni 3 mesi.

### Un-clic Autopulizia

1. Riposiziona l'apparecchio sulla base mentre termini la pulizia.
2. Premi brevemente il pulsante di auto-pulizia sulla parte superiore della maniglia per avviare / interrompere l'auto-pulizia.
3. Svuota il serbatoio dell'Acqua Usata mentre l'auto-pulizia è completata.

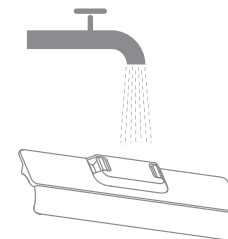
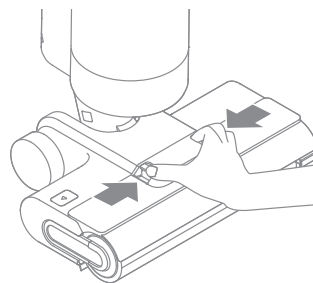
Nota: La funzione di auto-pulizia è attivabile solo quando l'apparecchio è in ricarica e il livello della batteria è superiore al 20%.



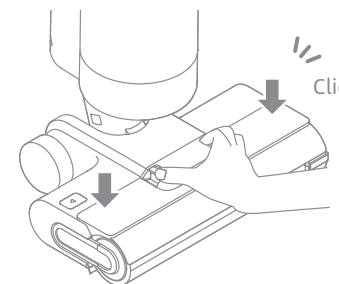
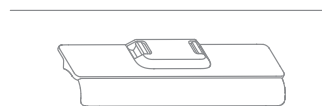
## Cura & Manutenzione

### Pulire il Coperchio della Spazzola

1. Premi i pulsanti di rilascio del coperchio del rullo della spazzola verso l'interno su entrambi i lati per rimuovere il coperchio del rullo della spazzola.



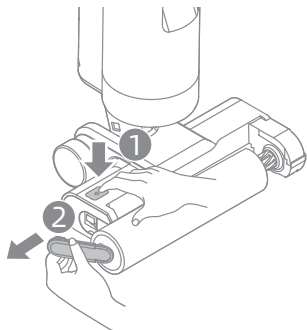
2. Il coperchio della spazzola può essere risciacquato con acqua pulita o pulito con un canovaccio. Asciugalo completamente prima del riutilizzo.



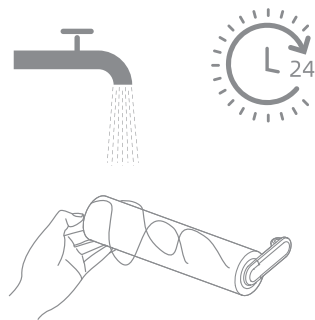
## Cura & Manutenzione

### Pulizia del Rullo della Spazzola

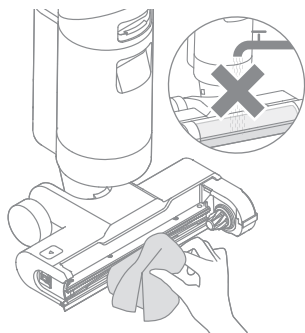
1. Premi il pulsante di rilascio del rullo della spazzola e la maniglia del rullo della spazzola salterà fuori. Tira la maniglia per estrarre il rullo della spazzola.



2. Eliminare i capelli e i detriti aggrovigliati sulla spazzola a rullo. Sciacquare la spazzola a rullo con acqua pulita e asciugarla completamente.



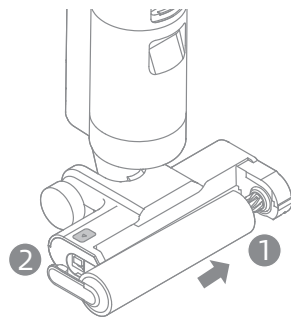
3. Pulisci l'ingresso di aspirazione con un panno asciutto o un panno umido.



**Avvertimento:** Per ridurre il rischio di scosse elettriche o lesioni, non sciacquare il gruppo spazzola a rullo con acqua!

**Nota:** Pulire secondo necessità. Si consiglia di sostituire la spazzola a rullo ogni 3-6 mesi.

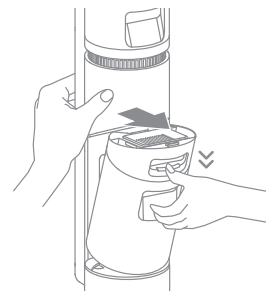
4. Reinstalla il rullo della spazzola finché non senti un clic.



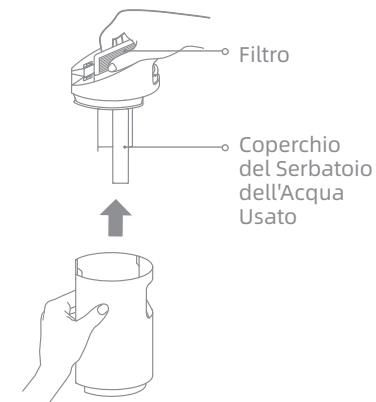
## Cura & Manutenzione

### Pulizia del Serbatoio dell'Acqua Usata e del Filtro

1. Premi il pulsante di rilascio del Serbatoio dell'Acqua Usata ed estrai il Serbatoio dell'Acqua Usata.



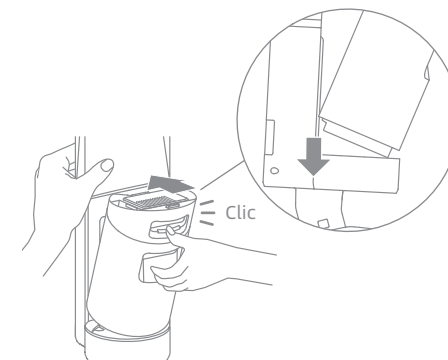
2. Estrai il filtro dal coperchio del Serbatoio dell'Acqua Usata. Rimuovi il coperchio del serbatoio e versa l'acqua di scarico.

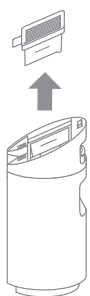


3. Sciacqua il serbatoio dell'acqua usata e il coperchio del serbatoio con acqua pulita. Pulisci la parete interna del serbatoio con la spazzola in dotazione.



4. Chiudi il coperchio del Serbatoio dell'Acqua Usata, reinstalla il Serbatoio dell'Acqua Usata e assicurati che il serbatoio scatti in posizione.



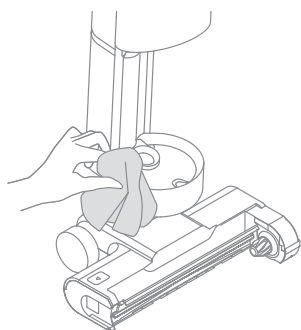


## Nota:

- Quando il filtro è sporco e deve essere lavato, sciacqualo con acqua. Deve essere completamente asciutto prima dell'uso.
- Si consiglia di sostituire il filtro ogni 3 - 6 mesi.

## Pulizia del tubo

Rimuovere il serbatoio dell'acqua usata. Pulire il tubo con un panno umido prima dell'uso.



Errore	Causa possibile	Soluzione
L'apparecchio non funziona.	La batteria dell'apparecchio è scarica o il livello della batteria è basso.	Ricarica completamente la batteria prima dell'uso.
	La batteria dell'apparecchio è scarica o il livello della batteria è basso.	Reclina l'apparecchio all'indietro.
	Modalità di protezione da surriscaldamento attivata da blocco.	Elimina il blocco e attendi che la temperatura ritorni normale.
	Il serbatoio dell'acqua usata è pieno.	Svuota il serbatoio dell'acqua usata.
	Il Serbatoio dell'Acqua Pulita è vuoto.	Riempi il Serbatoio dell'Acqua Pulita con Acqua.
	Le parti non sono installate in posizione.	Assicurarsi che tutte le parti siano posizionate correttamente.
L'apparecchio si ricarica lentamente.	La temperatura della batteria è troppo bassa o troppo alta.	Attendi finché la temperatura della batteria non torna normale.
La potenza di aspirazione dell'apparecchio è debole.	Il filtro non è installato in posizione.	Assicurati che il filtro sia installato in posizione.
	Il filtro è ostruito.	Pulizia del filtro.
	L'ingresso o il tubo di aspirazione è bloccato da un oggetto estraneo.	Pulisci il tubo e l'ingresso di aspirazione.
Il motore fa uno strano rumore.	C'è troppa acqua sporca nel Serbatoio dell'Acqua Usata.	Svuota il serbatoio dell'acqua usata.
	La bocca di aspirazione principale è ostruita.	Eliminare qualsiasi blocco nella bocca di aspirazione principale.

## Suggerimento Guasto

Errore	Causa possibile	Soluzione
L'indicatore di stato della batteria non si accende durante la carica.	La spina dell'adattatore di corrente non è inserita correttamente nella presa elettrica.	Assicurarsi che la spina dell'adattatore di corrente sia inserita in posizione.
	L'apparecchio non è posizionato correttamente sulla base di ricarica.	Assicurati che l'apparecchio sia posizionato correttamente sulla base di ricarica.
Non esce acqua dall'apparecchio.	Il serbatoio dell'acqua pulita non è stato installato o il serbatoio dell'acqua pulita è vuoto.	Reinstallare o riempire il serbatoio dell'acqua pulita.
	Ci vogliono 30 secondi per inumidire il rullo della spazzola.	Accendi l'apparecchio e ricontra il rullo tra 30 secondi.
Perdita d'acqua dalla parte superiore del serbatoio dell'acqua sporca.	Sollevarlo l'apparecchio da terra, inclinarlo o reclinarlo all'indietro di oltre 140°.	Tirare delicatamente l'apparecchio avanti e indietro mentre è acceso.
	Il filtro non è completamente asciutto dopo essere stato pulito.	Asciugare completamente il filtro prima dell'uso.
Auto-pulizia fallita.	Il rullo della spazzola potrebbe essere inceppato da particelle grandi.	Apri il coperchio del rullo della spazzola per controllare e pulire il rullo della spazzola.
	L'apparecchio non è posizionato correttamente sulla base di ricarica.	Assicurati che l'apparecchio sia in ricarica prima di abilitare la funzione di auto-pulizia.
	La funzione di autopulizia può essere abilitata solo quando l'aspirapolvere è carico e il livello della batteria è superiore al 20%.	La funzione di autopulizia può essere abilitata solo quando l'aspirapolvere è carico e il livello della batteria è superiore al 20%.
	Il serbatoio dell'acqua usata non è installato in posizione o il serbatoio dell'acqua usata è pieno.	Reinstalla o svuota il serbatoio dell'acqua usata.
	Il serbatoio dell'acqua pulita non è stato installato o il serbatoio dell'acqua pulita è vuoto.	Reinstallare o riempire il serbatoio dell'acqua pulita.

## Prompt di errore e soluzioni

In presenza di una situazione anormale durante l'uso del dispositivo, lo schermo visualizzerà un messaggio rapido. Si devono seguire le indicazioni sullo schermo per mantenere le funzionalità invariate.

Codice di Errore	Causa possibile	Soluzioni
E1/EE/EF	Errore Motore	Si prega di contattare il servizio clienti.
E2/E3/E7/E8/E9	Batteria guasta	Si prega di contattare il servizio clienti.
E4/E5	Adattatore di alimentazione incompatibile	Utilizzare l'adattatore di alimentazione originale, o contattare il servizio clienti.
E6	Batteria surriscaldata	Attendi finché la temperatura della batteria non torna normale.

Per servizi aggiuntivi, per favore contattaci via [aftersales@dreame.tech](mailto:aftersales@dreame.tech) o <https://global.dreametech.com>

Aspirapolvere			
Modello	HHR21A	Tempo di Carica	Circa 4,5 ore
Tensione Nominale	21,6 V ===	Tensione di Carica	26 V ===
Potenza Nominale	170 W	Capacità Effettiva	2300 mAh
Capacità Nominale	2500 mAh	Capacità del Serbatoio dell'Acqua Usata	500 mL
Capacità del Serbatoio dell'Acqua Pulita	900 mL		
Adattatore di Alimentazione			
Modello	YLS0251B-E260090	Efficienza attiva media	87,28%
Ingresso	100-240V~ 50/60 Hz 0,8 A Max	Efficienza a basso carico (10%)	79,74%
Uscita	26 V === 0,9 A	Consumo di energia a vuoto	0,08 W

## Smaltimento e Rimozione della Batteria

La batteria incorporata agli ioni di litio contiene sostanze pericolose per l'ambiente. Prima di smaltire la batteria, assicurati che la batteria sia rimossa da tecnici qualificati e smaltita presso un centro di riciclaggio appropriato.

- la batteria deve essere rimossa dall'apparecchio prima che sia rottamata;
- l'apparecchio deve essere scollegato dalla rete di alimentazione al momento della rimozione della batteria;
- la batteria deve essere smaltita in modo sicuro.

### ATTENZIONE:

- Prima di rimuovere la batteria, scollega l'alimentazione ed esaurisci la batteria il più possibile.
- Le batterie non necessarie devono essere smaltite presso un centro di riciclaggio appropriato.
- Non esporre ad ambienti ad alta temperatura per evitare rischi di esplosione.
- In condizioni abusive, il liquido potrebbe essere espulso dalla batteria. In caso di contatto, sciacqua con acqua e consulta un medico.

### Guida alla Rimozione

1. Rimuovi la maniglia, l'anello decorativo al centro dell'apparecchio e i tappi a vite.
2. Usa uno strumento adeguato per rimuovere le viti sul retro dell'apparecchio, quindi rimuovi il coperchio posteriore.
3. Rimuovi le viti sul coperchio della batteria per aprire il coperchio della batteria.
4. Scollega i terminali tra la batteria e la scheda PCB per rimuovere la batteria.

# Instrucciones de Seguridad Importantes

Lea este manual detenidamente antes de usar el aspirador y guárdelo para su consulta en el futuro.

Al usar un aparato eléctrico, siempre se deben seguir las precauciones básicas, incluidas las siguientes:

**LEA TODAS LAS INSTRUCCIONES ANTES DE USO (DE ESTE APARATO).** El incumplimiento de las advertencias e instrucciones puede provocar descargas eléctricas, incendios y / o lesiones graves.

**ADVERTENCIA** – Para reducir el riesgo de incendio, descarga eléctrica o lesiones:

## Restricciones de Uso

- Este producto no debe ser utilizado por niños menores de 8 años ni por personas con deficiencias físicas, sensoriales o intelectuales, o experiencia o conocimientos limitados, sin la supervisión de un progenitor o un tutor legal que pueda garantizar un funcionamiento seguro y evitar riesgos. La limpieza y el mantenimiento no deben ser realizados por menores sin supervisión.
- La película plástica puede causar peligro. Para evitar asfixia, manténgala alejado de los niños.
- Utilícelo únicamente en interiores y sobre pisos sin alfombras, como por ejemplo vinilo, baldosas, madera sellada, etc. Tenga cuidado de no pasar por encima de objetos sueltos o bordes de tapetes. Cepillo atrapado puede causar falla prematura de la correa.
- Utilícelo únicamente como se describe en este manual del usuario. Utilice solo los accesorios recomendados por el fabricante.
- No exponga el aparato al fuego ni a temperaturas excesivas. Exponerlo a fuego o a una temperatura excesiva puede provocar explosión.
- No lo utilice en ambientes extremadamente cálidos o fríos (por debajo de 5°C/41°F o sobre 40°C/104°F). Cargue el aparato a una temperatura superior a 5°C/41°F e inferior a 40°C/104°F).
- No sumerja el aparato en líquido.
- No lo use para recoger líquidos inflamables o combustibles, como gasolina. No lo use en áreas donde pueda haber líquidos inflamables o combustibles.
- No coloque ningún objeto en las aberturas. No utilice el aparato cuando alguna abertura esté bloqueada; manténgalo libre de polvo, pelusa, cabello y cualquier cosa que pueda impedir el flujo de aire.
- No recoja material tóxico (blanqueador con cloro, amoníaco, líquido limpiador de desagües, etc.). No recoja objetos duros o afilados como vidrio, clavos, tornillos, monedas, etc.
- No utilice el aparato en un espacio cerrado lleno de vapor emitido por pintura a base de aceite, disolvente de pintura, sustancias a prueba de polillas, polvo inflamable u otros vapores explosivos o tóxicos. No recoja ningún objeto que se esté quemando o humeando, como cigarrillos, fósforos o cenizas calientes.
- No lo use sin los filtros instalados correctamente.
- Mantenga el cabello, la ropa suelta, los dedos y todas las partes de su cuerpo alejados de las aberturas y las partes móviles del aparato y sus accesorios.
- Mantenga los cables de conexión a tierra alejados del aparato durante el uso, ya que puede producirse peligro si el aparato atropella un cable de alimentación.

# Instrucciones de Seguridad Importantes

- Tenga especial cuidado al limpiar escaleras.
- No agregue ningún líquido que no sea el detergente aprobado por Dreame.

## Mantenimiento y Almacenamiento

- Para evitar arranque involuntario, asegúrese de que el interruptor esté en la posición APAGADO antes de levantar o transportar el aparato. Llevar el aparato con el dedo puesto en el interruptor o cargarlo con el interruptor en encendido puede provocar accidentes.
- Asegúrese de que el aparato esté colocado sobre una superficie horizontal. No utilice el aparato en el mismo puesto si el aparato cuenta con un cepillo de rodillo y el asa no está en posición completamente vertical. No guarde el aparato en un lugar donde pueda congelarse.
- Apague y desenchufe el aparato cuando no está funcionando, antes de limpiarlo, mantenerlo o repararlo, y antes de conectarlo o desconectarlo con un cepillo de movimiento.
- No utilice electrodomésticos que estén dañados o modificados. Baterías dañadas o modificadas pueden provocar actos impredecibles que resulten en fuego, explosión o riesgo de lesiones.
- No modifique ni intente reparar el aparato salvo que se indique en las instrucciones de uso y cuidado.
- No utilice el aparato con un accesorio dañado (p. ej., base de carga, Adaptador de Corriente, etc.). Si el accesorio está dañado, debe ser reemplazado por el fabricante, su agente de servicio o personas calificadas similares para evitar peligros.
- El servicio debe ser realizado por un técnico calificado que utilice únicamente piezas de repuesto idénticas. Esto asegura que se mantiene la seguridad del producto.

## Batería y Carga

- Para cargar la batería, utilice únicamente el adaptador desmontable provisto con este aparato. Utilice solo con el adaptador <YLS0251B-E260090>.
- Siga todas las instrucciones de carga y no cargue el aparato fuera del rango de temperatura especificado en la batería, ya que hacerlo aumenta el riesgo de incendio.
- Mantenga los cables de conexión a tierra alejados del aparato durante el uso, ya que puede producirse peligro si el aparato atropella un cable de alimentación.
- No arrastre ni traslade el adaptador tomándolo por el cable, no utilice el cable como manija, no cierre la puerta por encima del cable ni jale el cable alrededor de esquinas o bordes afilados.
- Este producto contiene baterías que solo pueden ser reemplazadas por técnicos calificados o servicio posventa.
- El paquete de baterías de iones de litio contiene sustancias que son peligrosas para el medio ambiente. Antes de desechar el electrodoméstico, primero retire el paquete de baterías y luego deséchelo o recíclolo de acuerdo con las leyes y regulaciones locales del país o región en el que se usa.
- El aparato debe estar desconectado de la fuente de alimentación al retirar la batería. Mantenga las baterías fuera del alcance de los niños. Nunca ponga las baterías en la boca. Si se ingiere, comuníquese con su médico o con el control local de envenenamiento.

# Instrucciones de Seguridad Importantes

- En condiciones abusivas, nunca toque la batería de la que puede salir líquido. Si ocurre contacto accidentalmente, enjuague con agua. Si el líquido entra en contacto con los ojos, busque ayuda médica inmediatamente. El líquido divulgado de la batería puede causar irritación o quemaduras.

## Símbolos



Leer el manual del operador



Unidad de suministro desmontable



### Información sobre RAEE

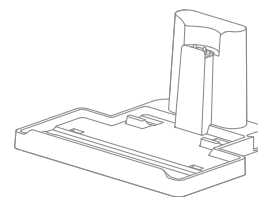
Todos los productos que llevan este símbolo son residuos de aparatos eléctricos y electrónicos (RAEE según la directiva 2012/19/UE) que no deben mezclarse con residuos domésticos sin clasificar. En su lugar, debe proteger la salud humana y el medio ambiente entregando sus equipos de desecho a un punto de recogida para el reciclaje de residuos de equipos eléctricos y electrónicos, designado por el gobierno o las autoridades locales. La eliminación y el reciclado correctos ayudarán a evitar posibles consecuencias negativas para el medio ambiente y la salud humana. Póngase en contacto con el instalador o con las autoridades locales para obtener más información sobre la ubicación y las condiciones de dichos puntos de recogida.

Nosotros, Dreame Trading (Tianjin) Co., Ltd., por la presente, declaramos que el equipo cumple con las Directivas y Normas Europeas aplicables y las enmiendas. Encontrará el texto completo de la declaración de conformidad de la UE en esta dirección de Internet: <https://global.dreame.tech.com>

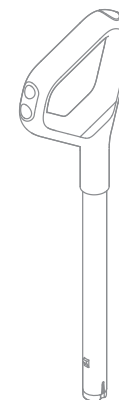
Para un manual electrónico detallado, vaya a <https://global.dreame.tech.com/pages/user-manuals-and-faq>

# Descripción del Producto

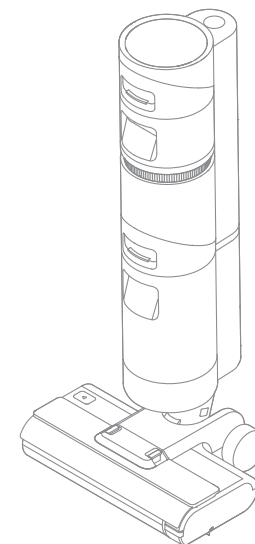
## Lista de Paquete



Base de Carga



Asa



Cuerpo Principal



Cepillo Limpiadora

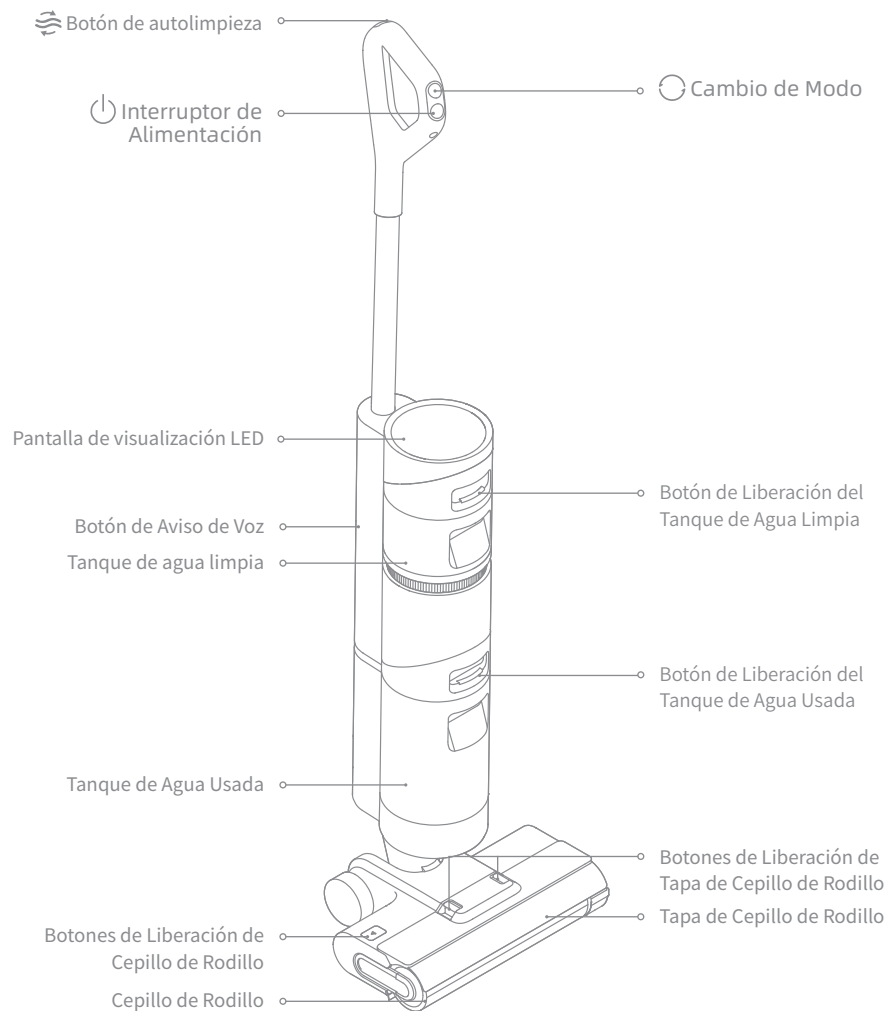


Adaptador de Corriente

Nota: Las imágenes de este manual son solo para fines ilustrativos. El producto real puede ser diferente.

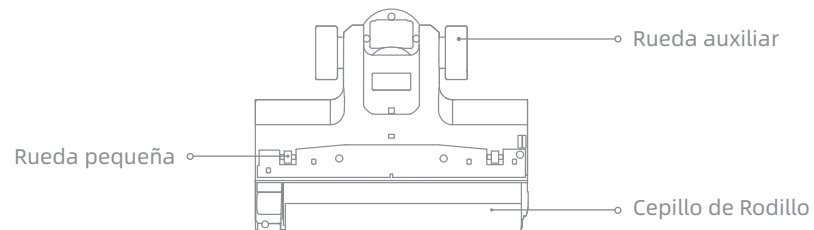
# Descripción del producto

## Aspirador

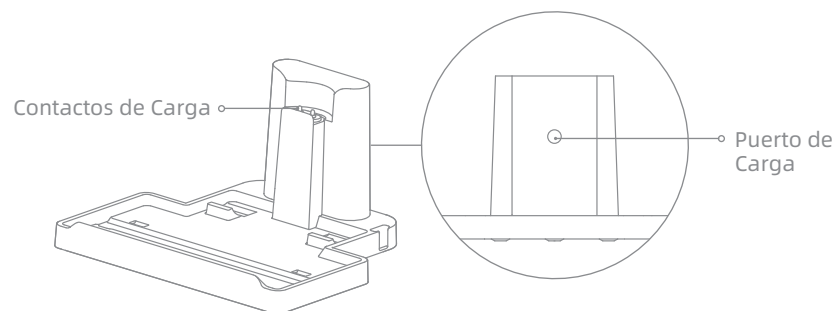


# Descripción del producto

## Montaje de Cepillo de Rodillo

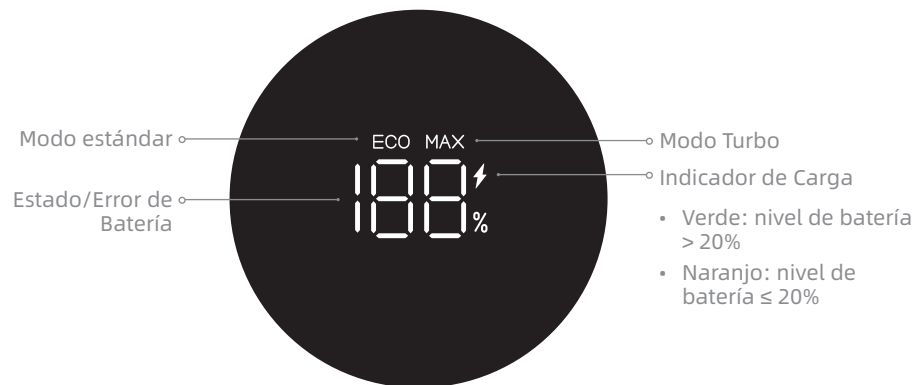


## Base de Carga

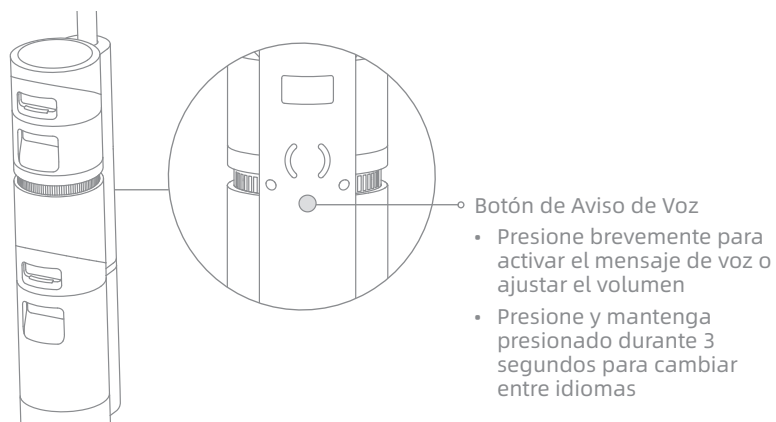


# Descripción del producto

## Pantalla de visualización



## Botón de Aviso de Voz

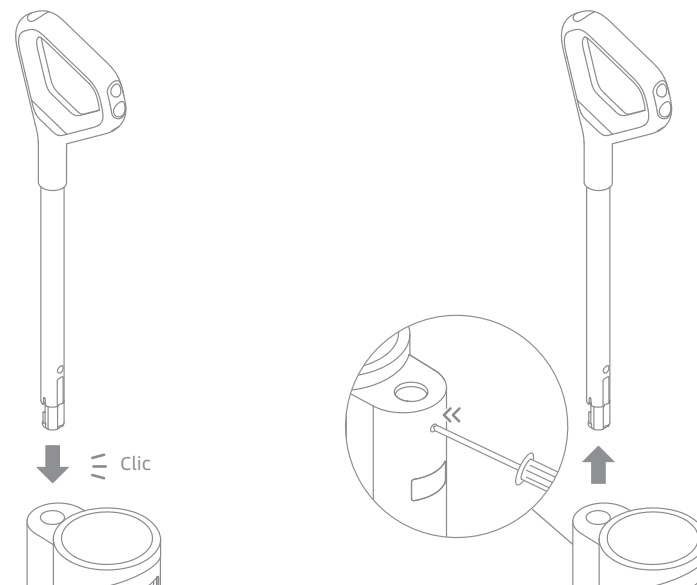


# Instalación

## Instalar el Asa

Inserte el extremo del asa verticalmente en el puerto ubicado en la parte superior del aspirador como se indica, y asegure que haya encajado bien en su lugar.

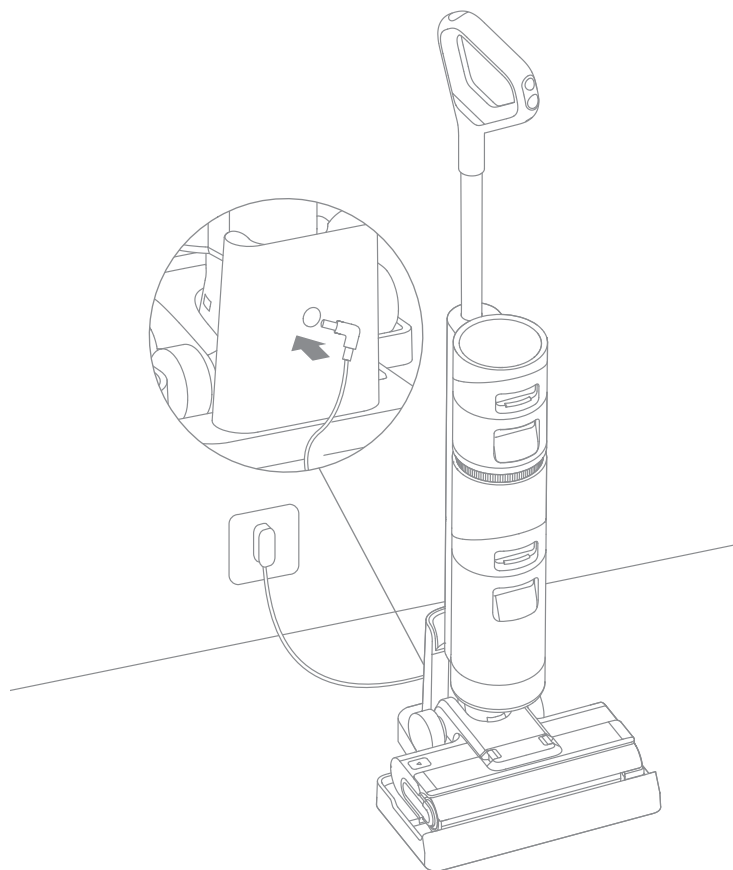
Nota: Para desmontar el asa, inserte un objeto duro al orificio en la parte posterior del aspirador para presionar el contacto y, al mismo tiempo, tire el asa hacia arriba.



# Cargando

Nota: Cargue completamente el aspirador antes de primer uso.

1. Coloque la base de carga en el suelo nivelado contra una pared. Conecte un extremo del adaptador de corriente a la base de carga y el otro a una toma de corriente.
2. Coloque el aspirador en la base de carga, y cuando ⚡ se ilumina en la pantalla, indica el estado de carga. El número en la pantalla representa en un porcentaje el nivel actual de la batería durante la carga. Cuando el número llega a 100, la batería está completamente cargada.



Nota:

- Si no hay ninguna operación dentro de los 5 minutos tras cargarse por completo, el aspirador entrará en modo de suspensión. Reinicie el dispositivo si necesita utilizarlo.
- Para prolongar la vida útil de la batería, la batería sigue enfriándose automáticamente durante aproximadamente una hora después de haberse utilizado el aparato durante mucho tiempo.

# Instrucción del Uso

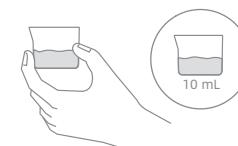
## Llenar el Tanque de Agua Limpia

Pulse el botón de liberación del tanque de agua limpia para retirar el tanque. Abra la tapa del tanque y llénelo con agua limpia.




## Añadir líquido limpiador

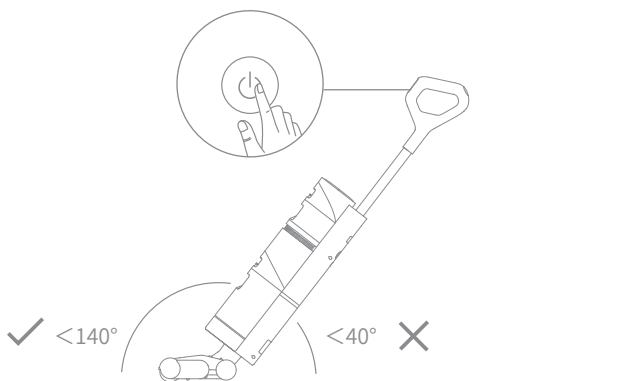
Para un mejor rendimiento de limpieza se recomienda añadir 10 mL de detergente con el tapón de la botella en el depósito lleno de agua limpia, agítelo suave y homogéneamente posteriormente para su uso.



Nota: No añada otros líquidos que no sean el limpiador homologado oficial. El limpiador puede estar disponible en la tienda oficial en línea.

### Inicio de Limpieza

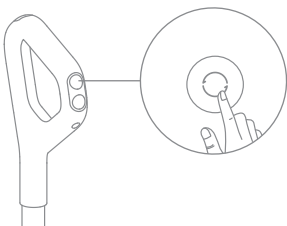
Pise suavemente la tapa del cepillo y recline el aparato hacia atrás. Apriete el interruptor de encendido  para iniciar/detener el funcionamiento.



- Nota:
- No lo use para aspirar líquidos espumosos.
  - Si el aparato se encuentra en posición vertical mientras trabaja, la tarea actual se suspenderá.
  - El aparato es adecuado para limpiar piso, mármol, baldosas y otras superficies duras.
  - Cuando el aparato esté en funcionamiento, no lo levante del suelo, no lo incline ni lo recline más de 140° hacia atrás. Al hacerlo, podría causar que el agua usada penetre en el motor.

### Cambiar entre Modos

Cuando el aparato esté encendido, su valor predeterminado es el modo estándar. Puede cambiar al modo turbo según las necesidades reales.



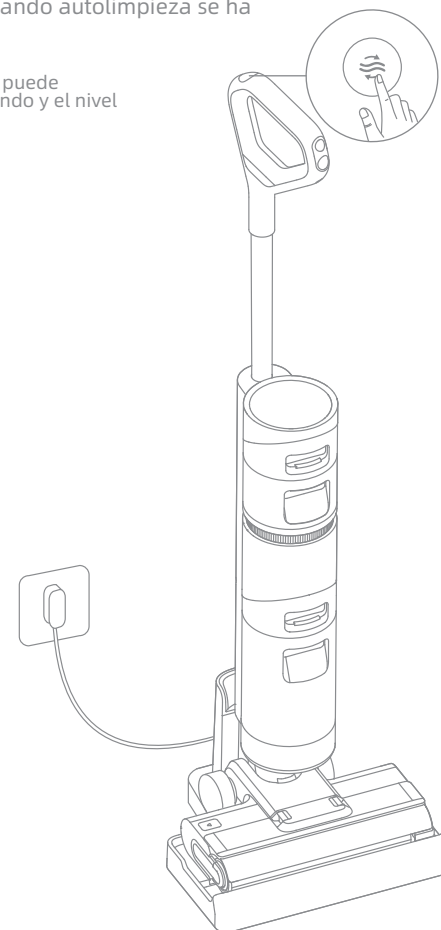
Consejos:

- Apague el aparato antes del mantenimiento. No toque el Interruptor de Alimentación.
- Las piezas deben ser reemplazadas si es necesario. Utilice solamente las piezas designadas por la fábrica original para evitar daños al producto por incompatibilidad.
- Si el aparato no se utiliza durante un período prolongado, cárguelo por completo, desenchufe el adaptador de corriente y guárdelo en un ambiente fresco y con poca humedad, lejos de la luz solar directa. Para evitar una descarga excesiva de la batería, cargue el aparato al menos una vez cada 3 meses.

### Autolimpieza Con Un Clic

1. Vuelva a colocar el aparato en la base cuando termina de limpiar.
2. Apriete brevemente el botón de autolimpieza en la parte superior del asa para iniciar/detener la autolimpieza.
3. Vacíe el tanque de agua usada cuando autolimpieza se ha completado.

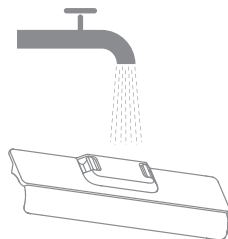
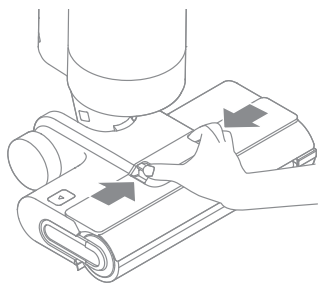
Nota: La función de autolimpieza solo se puede habilitar cuando el aparato se está cargando y el nivel de la batería está superior al 20%.



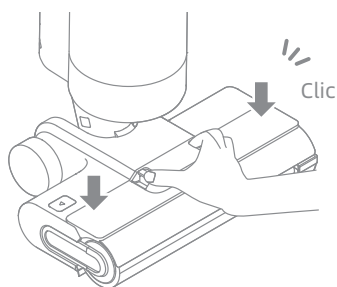
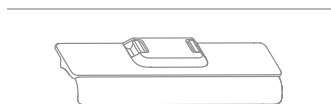
# Cuidado y Mantenimiento

## Limpiar la Tapa del Cepillo

1. Apriete los botones de liberación de la tapa del cepillo de rodillo hacia adentro en ambos lados para quitar la tapa del cepillo de rodillo.



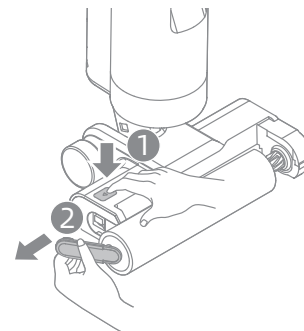
2. La tapa del cepillo se puede enjuagar con agua limpia o limpiar con un paño de cocina. Séquelo completamente antes de volver a utilizarlo.



# Cuidado y Mantenimiento

## Limpiar el Cepillo de Rodillo

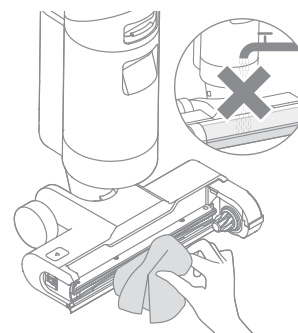
1. Apriete el botón de liberación del cepillo de rodillo y su asa saldrá. Tire del asa para sacar el cepillo de rodillo.



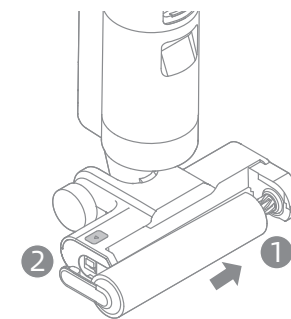
2. Limpie los pelos y la suciedad envuelta en el rodillo de cepillo. Enjuague el rodillo de cepillo con agua limpia y séquelo completamente.



3. Limpie la entrada de succión con un paño seco o un pañuelo húmedo.



4. Vuelva a instalar el cepillo de rodillo hasta que oiga un clic.



Advertencia: Para reducir el riesgo de descargas eléctricas o lesiones, ¡no enjuague el conjunto del cepillo de rodillo con agua!

Nota: Limpie cuando sea necesario. Se recomienda reemplazar el rodillo de cepillo cada 3 a 6 meses.

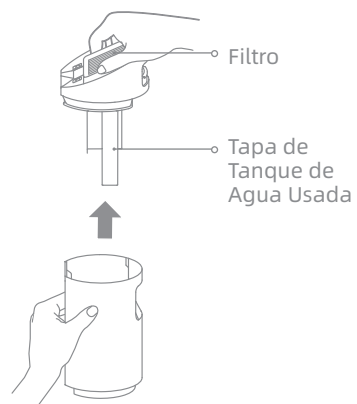
# Cuidado y Mantenimiento

## Limpiar el Tanque de Agua Usada y el Filtro

1. Pulse el botón de liberación del tanque de agua usada y retire el tanque de agua usada.



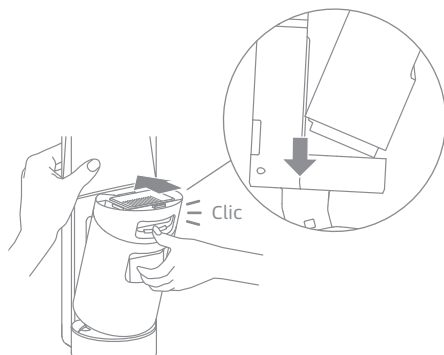
2. Retire el filtro de la tapa del tanque de agua usada. Retire la tapa del tanque y vierta el agua residual.



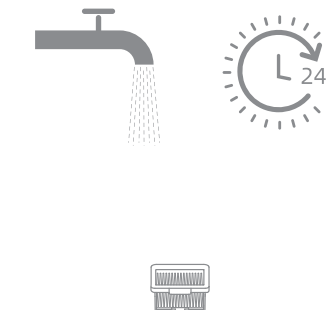
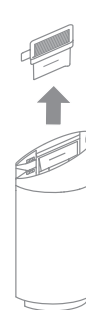
3. Enjuague el tanque de agua usada y su tapa con agua limpia. Limpie la pared interna del tanque con el cepillo provisto.



4. Cierre la tapa del tanque de agua usada, vuelva a instalar el tanque y asegúrese de que encaje en su lugar.



# Cuidado y Mantenimiento

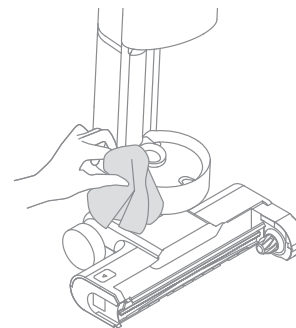


Nota:

- Cuando el filtro esté sucio y necesite lavarse, enjuáguelo con agua. Debe estar completamente seco antes de su uso.
- Se recomienda reemplazar el filtro cada 3 a 6 meses.

## Limpieza del tubo

Retire el depósito de agua usada. Limpie el tubo con un paño húmedo antes del uso.



Error	Causa Posible	Solución
El aparato no funciona.	El aparato no tiene batería o su nivel de batería es bajo.	Cargue completamente su batería antes de usar.
	El aparato no tiene batería o su nivel de batería es bajo.	Recline el aparato hacia atrás.
	Modo de protección contra sobrecalentamiento habilitado por bloqueo.	Elimine la obstrucción y espere hasta que la temperatura vuelva a la normalidad.
	El tanque de agua usada está lleno.	Vacíe el tanque de agua usada.
	El tanque de agua limpia está vacío.	Llene el tanque de agua limpia con agua.
	Las piezas no están instaladas correctamente.	Asegúrese de que todas las piezas están correctamente instaladas.
El aparato se carga lentamente.	La temperatura de la batería está demasiado baja o demasiado alta.	Espere hasta que la temperatura de la batería vuelva a la normalidad.
La potencia de succión del aparato está débil.	El filtro no está instalado correctamente.	Asegúrese de que el filtro esté instalado correctamente.
	El filtro está obstruido.	Limpieza del filtro.
	La entrada o el tubo de succión está bloqueado por un objeto extraño.	Limpie el tubo y la entrada de succión.
El motor produce un ruido extraño.	Hay demasiada agua sucia en el tanque de agua usada.	Vacíe el tanque de agua usada.
	La boquilla de succión principal está bloqueada.	Elimine cualquier obstrucción en la boquilla de succión principal.
El indicador de estado de la batería no se ilumina durante la carga.	El enchufe del adaptador de alimentación son está correctamente conectado a la toma de corriente.	Asegúrese de que el enchufe del adaptador de alimentación esté conectado correctamente.
	El aparato no está colocado correctamente en la base de carga.	Asegúrese de que el aparato esté colocado en la base de carga correctamente.

Error	Possible Cause	Solution
No sale agua del aparato.	El tanque de agua limpia no se ha instalado correctamente o está vacío.	Reinstale o llene el tanque de agua limpia.
	Se tarda 30 segundos en humedecer el cepillo giratorio.	Encienda el aparato y verifique nuevamente en 30 segundos.
Fuga de agua por la parte superior del tanque de agua sucia.	Levante el aparato del suelo, inclínelo o reclínelo más de 140° hacia atrás.	Tire suavemente del aparato hacia delante y hacia atrás mientras esté encendido.
	El filtro no está completamente seco después de ser limpiado.	Seque completamente el filtro antes de usarlo.
Autolimpieza fracasó.	El cepillo de rodillo puede estar bloqueado por partículas grandes.	Abra la tapa del cepillo de rodillo para comprobar y limpiar el cepillo de rodillo.
	El aparato no está colocado correctamente en la base de carga.	Asegúrese de que el aparato se esté cargando antes de activar la función de autolimpieza.
	La función de autolimpieza sólo se puede activar cuando el aspirador está cargado y el nivel de la batería está superior al 20%.	La función de autolimpieza sólo se puede activar cuando el aspirador está cargado y el nivel de la batería está superior al 20%.
	El tanque de agua usada no está instalado correctamente o está lleno.	Vuelva a instalar o vacíe el tanque de agua usada.
	El tanque de agua limpia no se ha instalado correctamente o está vacío.	Reinstale o llene el tanque de agua limpia.

## Indicaciones de Error y Soluciones

Si la aspiradora no funciona con normalidad, en la pantalla aparecerá un mensaje de error. Consulte la tabla siguiente para encontrar la solución al problema en función del mensaje de error.

Código de Error	Causa Posible	Soluciones
E1/EE/EF	Error de motor	Comuníquese con el servicio de atención al cliente.
E2/E3/E7/E8/E9	Falla de batería	Comuníquese con el servicio de atención al cliente.
E4/E5	Adaptador de corriente incompatible	Utilice el adaptador de corriente original o póngase en contacto con servicio al cliente.
E6	Sobrecalentamiento de batería	Espere hasta que la temperatura de la batería vuelva a la normalidad.

Para servicios adicionales, póngase en contacto con nosotros a través de [aftersales@dreame.tech](mailto:aftersales@dreame.tech)  
<https://global.dreametech.com>

## Especificaciones

Aspirador			
Modelo	HHR21A	Tiempo de carga	Aprox. 4,5 horas
Voltaje nominal	21,6 V ===	Voltaje de carga	26 V ===
Potencia nominal	170 W	Capacidad real	2300 mAh
Capacidad nominal	2500 mAh	Capacidad del tanque de agua usada	500 mL
Capacidad de tanque de agua limpia	900 mL		
Adaptador de corriente			
Modelo	YLS0251B-E260090	Eficiencia activa media	87,28%
Entrada	100-240 V ~ 50/60 Hz 0,8 A Max	Eficiencia a baja carga (10%)	79,74%
Salida	26 V === 0,9 A	Consumo de energía sin carga	0,08 W

## Extracción y Eliminación de Batería

La batería de iones de litio incorporada contiene sustancias que son peligrosas para el medio ambiente. Antes de desechar la batería, asegúrese de sean retiradas por técnicos calificados y que la deseche en una instalación de reciclaje adecuada.

- se debe quitar la batería del aparato antes de desecharlo;
- el aparato debe estar desconectado de la red de alimentación cuando se quita la batería;
- la batería debe desecharse de forma segura.

### PRECAUCIÓN:

- Antes de quitar la batería, desconecte la alimentación y agote la batería tanto como sea posible.
- Las baterías quitadas deben desecharse en una instalación de reciclaje adecuada.
- No las exponga a alta temperatura para evitar riesgos de explosión.
- En condiciones ásperas, es posible que gotee líquido de la batería. Si ocurre contacto, enjuague con agua y busque ayuda médica.

### Guía de Extracción

1. Quite el asa, el anillo decorativo en el medio del aparato y los tapones roscados.
2. Utilice una herramienta adecuada para quitar los tornillos en la parte posterior del aparato y luego quite la tapa posterior.
3. Quite los tornillos de la tapa de batería para abrir la tapa de la batería.
4. Desconecte los terminales entre la batería y la placa PCB para quitar la batería.

## Важные меры предосторожности

Перед использованием внимательно прочтите данную инструкцию. Сохраните ее для дальнейшего использования в справочных целях.

Во время использования электрических приборов необходимо всегда соблюдать базовые меры предосторожности, включая следующие:

**ПЕРЕД ИСПОЛЬЗОВАНИЕМ (ДАННОГО ПРИБОРА) ПРОЧТИТЕ ВСЕ ИНСТРУКЦИИ.**

Нарушение предупреждений и инструкций может привести к поражению током, возгоранию или серьезным травмам.

**ПРЕДУПРЕЖДЕНИЕ!** Для снижения риска возгорания, поражения током или травм:

### Ограничения по использованию

- Не допускается использование этого изделия детьми младше 8 лет, а также лицами с ограниченными физическими, сенсорными или умственными способностями или с ограниченным опытом или знаниями без присмотра родителя или опекуна для обеспечения безопасной эксплуатации и во избежание рисков. Не позволяйте детям осуществлять чистку и техническое обслуживание устройства без присмотра.
- Пластиковый защитный материал может быть опасен. Не храните его рядом с детьми во избежание удушья.
- Используйте прибор только в помещении и на таких нековровых поверхностях, как ПВХ, плитка, ламинат и др. Пылесос не должен проезжать по неплотным поверхностям либо вдоль краев ковров. Заклинивание щетки может привести к повреждению ремня раньше срока.
- Используйте прибор только согласно инструкциям в руководстве по эксплуатации. Используйте только аксессуары, рекомендованные производителем.
- Запрещается подвергать прибор воздействию огня либо высокой температуры. При контакте с огнем или при высокой температуре может произойти взрыв.
- Запрещается использовать прибор при экстремальной температуре (ниже 5°C/41°F или выше 40°C/104°F). Выполняйте зарядку прибора при температуре выше 40°C/104°F и ниже 40°C/104°F.
- Запрещается погружать прибор в жидкость.
- Запрещается использовать прибор для уборки легко воспламеняющихся или горючих жидкостей, например бензина. Запрещается использовать в местах, где могут быть вышеуказанные жидкости.
- Запрещается размещать предметы в отверстиях. Запрещается использовать прибор в случае засорения отверстия. Поддерживайте проходимость воздуха через отверстия и удаляйте пыль, ворсинки, волосы и другие элементы.
- Не используйте пылесос для уборки токсичных веществ (например отбеливатель, аммиак, пятновыводитель и др.). Запрещается собирать с помощью пылесоса стекло, гвозди, болты, монеты и др.
- Запрещается использовать прибор в местах испарения масляной краски и других субстанций. Запрещается собирать горящие либо дымящиеся предметы, например сигареты, спички либо пепел.
- Запрещается использовать прибор без установленных фильтров.
- Держите волосы, свободную одежду, пальцы и другие части тела на расстоянии от отверстий и движущихся деталей прибора и его аксессуаров.
- Во время использования прибора уберите все шнуры питания с пола, так как в случае наезда на них может возникнуть опасность.

## Важные меры предосторожности

- Будьте предельно осторожны во время очистки лестницы.
- Запрещается добавлять жидкости и чистящие средства, не одобренные к применению.

### Обслуживание и хранение

- Не допускайте непреднамеренных запусков. Перед тем, как поднимать либо переносить прибор убедитесь, что выключатель находится в позиции ВЫКЛ. Перенос прибора с зажимом выключателя либо во включенном состоянии может привести к несчастным случаям.
- Убедитесь, что прибор размещен на горизонтальной поверхности. Запрещается использовать прибор в аналогичной позиции, если роликовая щетка или ручка находятся не вертикально. Запрещается хранить прибор в месте с риском заморозки.
- Выключайте прибор и отсоединяйте его от розетки, когда он не используется, перед очисткой, ремонтом или обслуживанием, а также перед подсоединением или отсоединением вращающейся щетки.
- Запрещается использовать поврежденный или модифицированный прибор. Испорченные либо модифицированные аккумуляторы могут вести себя непредсказуемо, что может вызвать возгорание, взрыв либо риск получения травм.
- Запрещается модифицировать либо чинить прибор способами, отличными от указанных в руководстве по использованию и уходу.
- Запрещается использовать прибор с поврежденными деталями (например, зарядной базой, Адаптер питания и др.). Если деталь повреждена, необходимо выполнить ее замену у производителя, сервисного агента или другого квалифицированного персонала во избежание опасностей.
- Выполняйте техобслуживание только с помощью квалифицированного персонала и используйте только идентичные детали для замены. Это позволит гарантировать безопасность изделия.

### Аккумулятор и зарядка

- Используйте только разъемный адаптер в комплекте с этим прибором для зарядки аккумулятора. Используйте только с адаптером <YLS0251B-E260090>.
- Следуйте инструкциям по зарядке и не заряжайте прибор в среде с температурой выше указанной на аккумуляторе, так как это повышает риск возгорания.
- Во время использования прибора уберите все шнуры питания с пола, так как в случае наезда на них может возникнуть опасность.
- Запрещается вытаскивать или вставлять адаптер с помощью кабеля, а также использовать кабель в качестве ручки, прижимать его дверью либо обматывать вокруг острых краев или углов.
- Данное изделие оснащено аккумулятором, замену которого должны выполнять только квалифицированные технические специалисты или представители послепродажного обслуживания.
- В литий-ионном аккумуляторном блоке содержатся опасные для окружающей среды элементы. Перед утилизацией прибора сначала извлеките аккумуляторный блок, затем вы можете его утилизировать или переработать в соответствии с местными законами и правилами в стране или регионе применения.

## Важные меры предосторожности

- При извлечении аккумулятора необходимо отключить прибор от электропитания. Храните аккумуляторы в недоступном для детей месте. Запрещается класть аккумуляторы в рот. В случае проглатывания свяжитесь с терапевтом либо местным отделом контроля опасных веществ.
- В условиях, противоречащих установленным, запрещается прикасаться к аккумулятору, из которого вытекает жидкость. Если контакта не удалось избежать, промойте место контакта водой. В случае попадания аккумуляторной жидкости в глаза, немедленно обратитесь за медицинской помощью. Аккумуляторная жидкость может вызывать раздражение или ожог.

### Знаки



Прочитать руководство по эксплуатации



Съемный блок питания



Информация об утилизации и переработке отходов электрического и электронного оборудования



Все изделия с символом отдельного сбора отработанного электрического и электронного оборудования (Директива WEEE 2012/19/EU) следует утилизировать отдельно от несортируемых бытовых отходов. С целью охраны здоровья и защиты окружающей среды такое оборудование необходимо сдавать на переработку в специальные пункты приема электрического и электронного оборудования, определенные правительством или местными органами власти. Правильная утилизация и переработка помогут предотвратить возможные негативные последствия для окружающей среды и здоровья человека. Для получения информации о местонахождении и порядке приема устройств в пунктах приема обратитесь в компанию, занимающуюся установкой оборудования, или в местные органы власти.

## Важные меры предосторожности

### Меры предосторожности при хранении и транспортировке:

- Продукт должен транспортироваться в упаковке. Не подвергайте продукт давлению или ударам во время транспортировки.
- Пожалуйста, избегайте сильных столкновений во время транспортировки.
- Не транспортируйте прибор при температуре выше 50 °C или ниже -20 °C.
- В течение короткого периода, например одного месяца, прибор рекомендуется хранить при температуре от -20 °C до 50 °C и относительной влажности 60% ± 5%. В течение длительного времени храните прибор при температуре окружающей среды от 0 °C до 40 °C.
- Утилизируйте прибор надлежащим образом. Когда его срок службы подойдет к концу, утилизируйте прибор в соответствии с местными законами и правилами страны или региона, в котором он используется.

Правила и условия реализации: без ограничений.

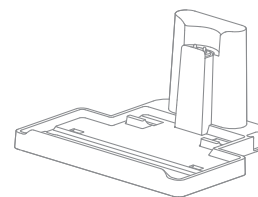
Импортер продает этот продукт; информацию об импортере см. на упаковке. Сведения об импортере и контактная информация отдела послепродажного обслуживания указаны на упаковке.

Дата изготовления: см. на упаковке

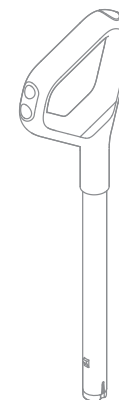
Срок службы продукции 3 года.

## Обзор изделия

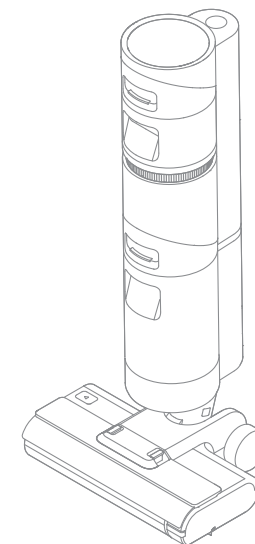
### Комплектация



База для зарядки



Ручка



Корпус



Чистящая щетка



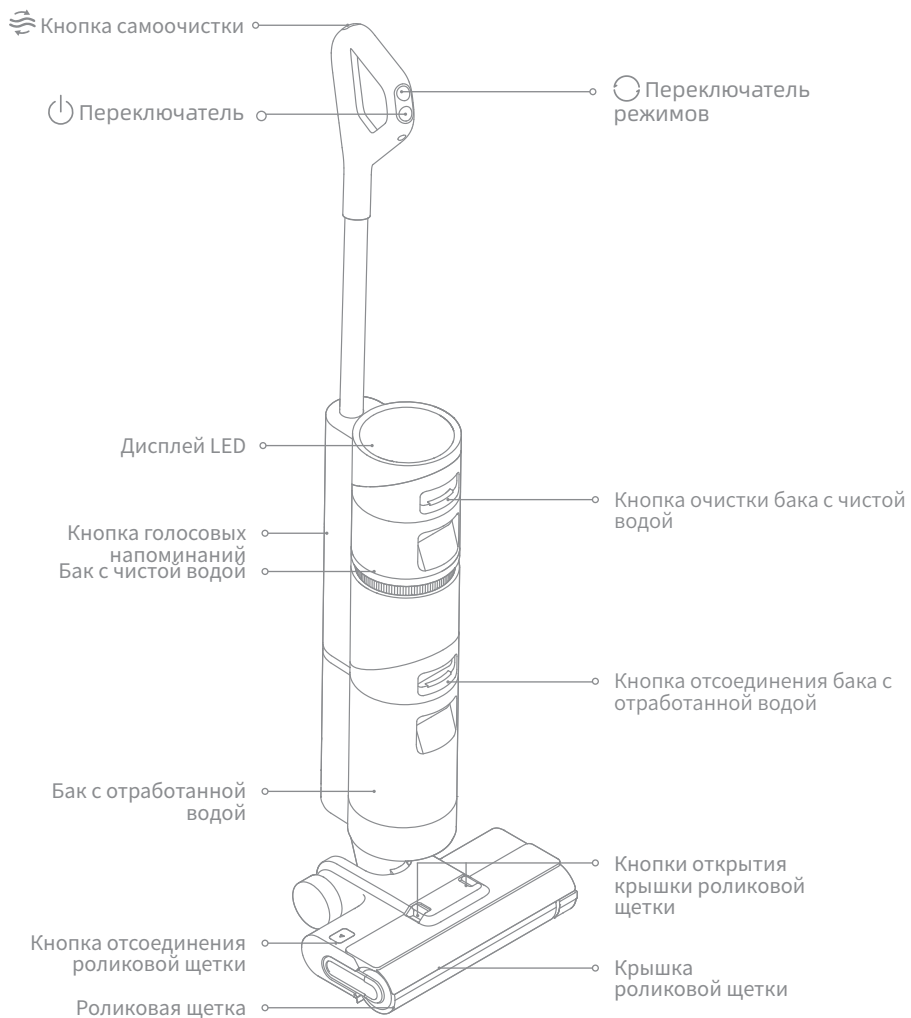
Адаптер питания

Мы, компания Dreame Trading (Tianjin) Co., Ltd., настоящим заявляем, что данное изделие соответствует требованиям всех действующих директив ЕС и европейских стандартов со всеми изменениями и дополнениями. Полный текст декларации о соответствии нормативным требованиям ЕС доступен по адресу: <https://global.dreametech.com>

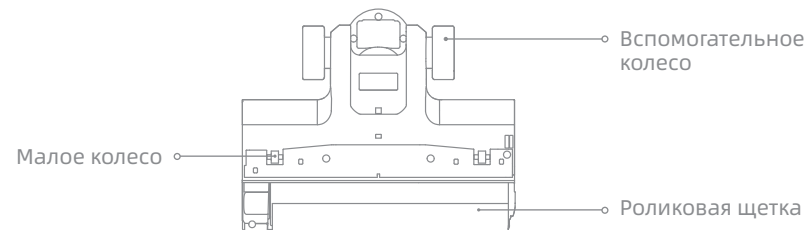
Подробное электронное руководство см. по адресу <https://global.dreametech.com/pages/user-manuals-and-faqs>

Примечание: Иллюстрации в данной инструкции представлены исключительно в справочных целях. Фактическое изделие может иметь отличия.

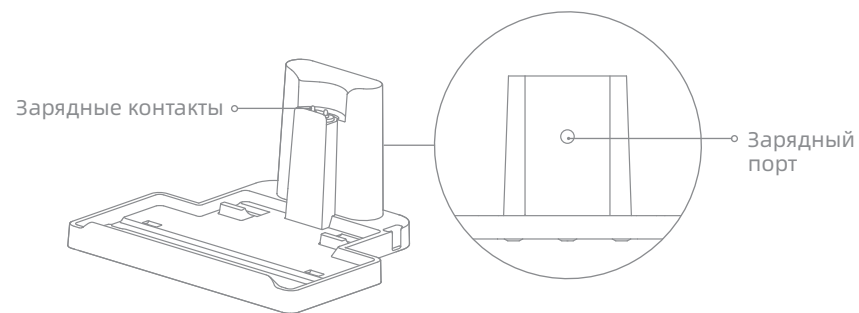
Пылесос



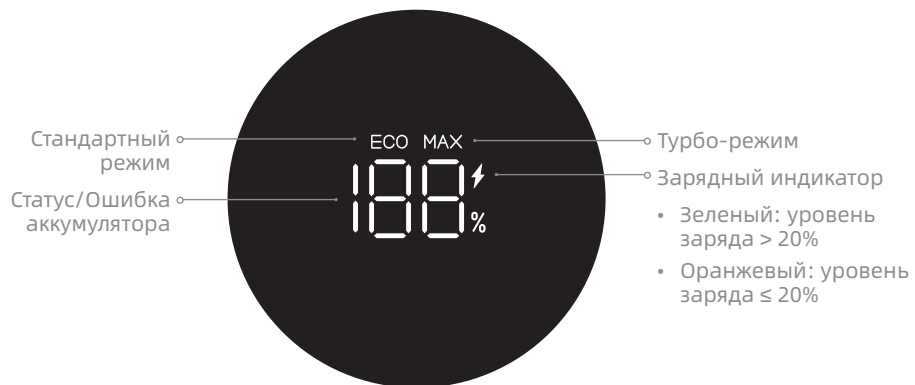
Установка роликовой щетки



База для зарядки



### Дисплей



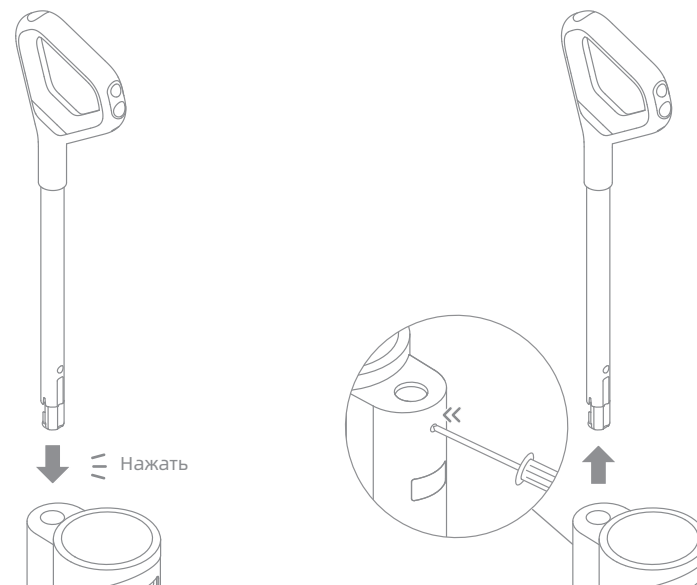
### Кнопка голосовых напоминаний



### Установка ручки

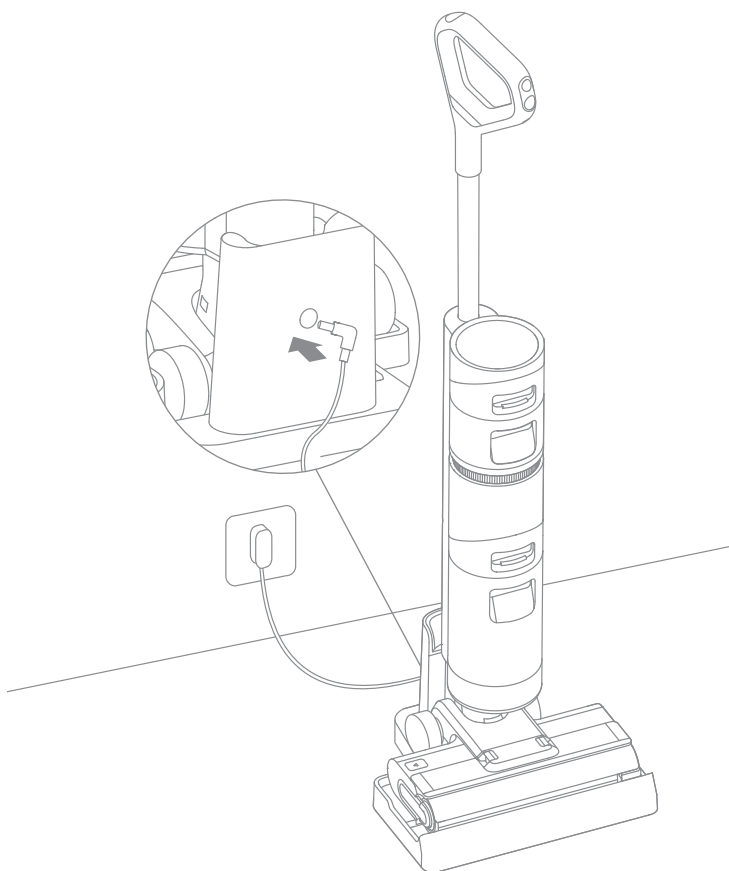
Вставьте конец ручки в порт в верхней части пылесоса вертикально согласно инструкциям, пока не раздастся щелчок об окончании установки.

Примечание: Чтобы снять ручку, нажмите на контакт в отверстии задней части пылесоса и одновременно потяните ручку вверх.



Примечание. Перед первым использованием полностью зарядите пылесос.

1. Поместите базу для зарядки на горизонтальной поверхности перпендикулярно стене. Соедините конец адаптера питания с базой для зарядки, а другой конец вставьте в домашнюю розетку.
2. Установите пылесос на базу для зарядки, для отображения статуса зарядки на экране загорится значок ⚡. В процессе зарядки цифра на дисплее показывает текущий уровень заряда аккумулятора в процентах. Цифра 100 означает, что аккумулятор полностью заряжен.



Примечание:

- Если в течение 5 минут после полной зарядки пылесос не используется, он перейдет в спящий режим. Чтобы использовать прибор, перезагрузите его.
- С целью увеличения срока службы аккумулятор автоматически охлаждается в течение одного часа после длительного использования прибора.

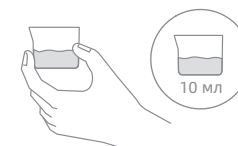
## Заполнение бака с чистой водой

Нажмите на кнопку отсоединения бака с чистой водой, чтобы извлечь бак. Откройте крышку и наполните бак чистой водой.



## Добавление чистящей жидкости


Для лучшей эффективности очистки рекомендуется добавить 10 мл мощного средства с крышкой бутылки в полный резервуар для чистой воды, а затем аккуратно и равномерно встряхнуть для использования.

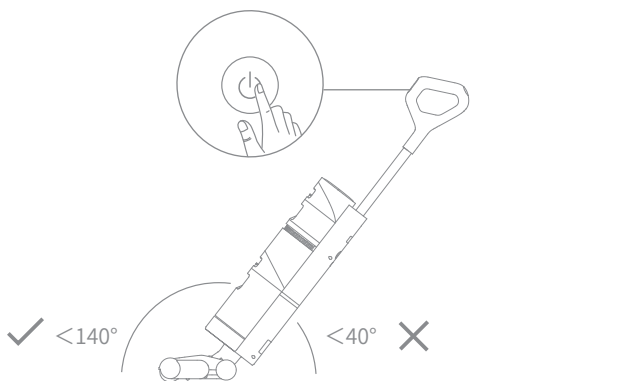


Примечание: Не добавляйте никаких жидкостей, кроме официально одобренного очистителя. Очиститель можно приобрести в официальном интернет-магазине.

## Порядок использования

### Начало уборки

Аккуратно наступите на крышку щетки и наклоните прибор назад. Нажмите на выключатель , чтобы начать или завершить работу.

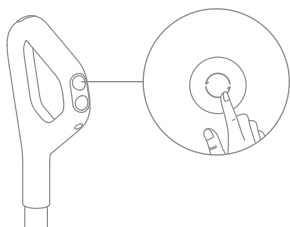


Примечание:

- Запрещается использовать для уборки пенящиеся жидкости.
- Если во время работы прибор перейдет в вертикальное положение, текущая задача будет приостановлена.
- Прибор подходит для очистки обычных полов, мрамора, кафельной плитки и других твердых поверхностей.
- Во время работы прибора не поднимайте его с земли, не наклоняйте и не откидывайте назад более чем на  $140^\circ$ . Это может привести к попаданию использованной воды в двигатель.

### Переключение режимов

При включении прибор по умолчанию переходит в стандартный режим. В зависимости от потребностей можно переключиться в турбо-режим.



## Обслуживание и ремонт

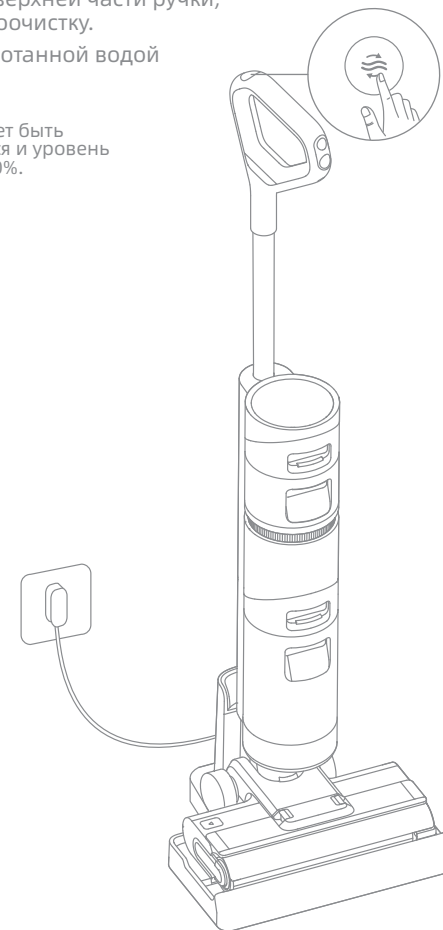
Инструкции:

- Перед ремонтом выключите прибор. Не нажимайте переключатель.
- По необходимости может потребоваться заменить компоненты. Используйте компоненты, изготовленные на заводе-изготовителе во избежание повреждения изделия из-за несовместимости.
- Если прибор не используется продолжительное время, полностью зарядите его, отключите адаптер от источника питания и оставьте пылесос на хранение в прохладном месте с низкой влажностью вдали от прямых солнечных лучей. Во избежание глубокой разрядки аккумулятора проводите зарядку прибора минимум раз в 3 месяца.

### Самоочистка в одно нажатие

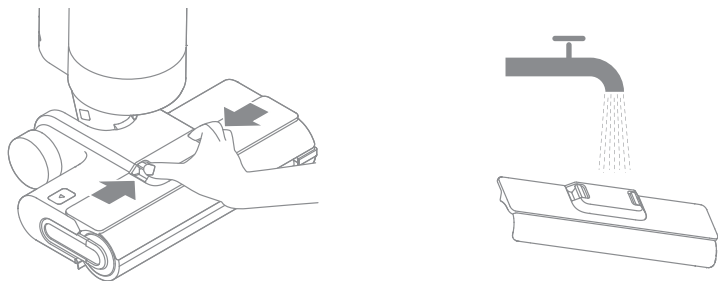
1. Верните прибор на базу после завершения уборки.
2. Коснитесь кнопки самоочистки в верхней части ручки, чтобы начать или завершить самоочистку.
3. Удалите содержимое бака с отработанной водой после завершения самоочистки.

Примечание: Функция самоочистки может быть включена, только если прибор заряжается и уровень заряда аккумулятора составляет более 20%.

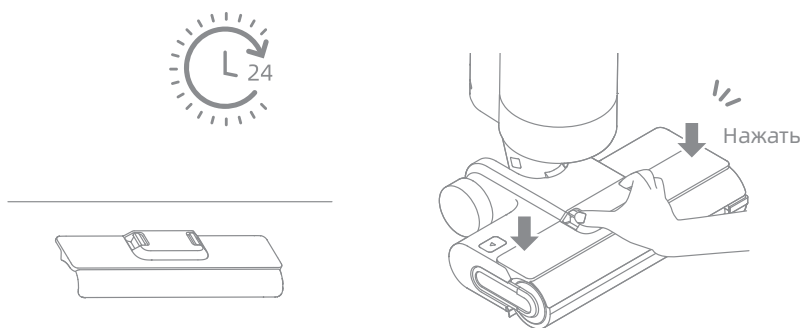


## Очистка крышки щетки

1. Нажмите на кнопки открытия крышки роликовой щетки внутрь с обеих сторон, чтобы снять крышку.

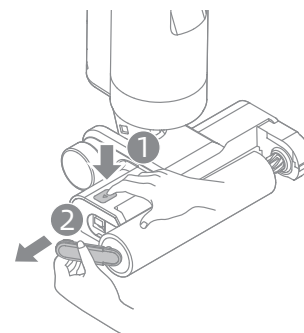


2. Крышку щетки можно промыть чистой водой или протереть кухонным полотенцем. Перед повторным использованием необходимо полностью просушить крышку.



## Очистка роликовой щетки

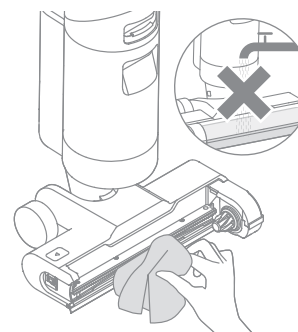
1. Нажмите на кнопку отсоединения роликовой щетки, чтобы выпала ручка роликовой щетки. Потяните ручку и извлеките роликовую щетку.



2. Очистите валик от волос и мусора, налипших на щетку. Промойте валик щетки чистой водой и полностью высушите его.



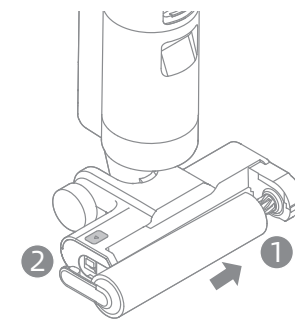
3. Протрите всасывающее отверстие с помощью сухого полотенца или влажной салфетки.



**Предупреждение:** Запрещается промывать установку роликовой щетки водой во избежание удара током или получения травм.

**Примечание:** Очищайте по мере необходимости. Рекомендуется заменять щеточный валик каждые 3-6 месяцев.

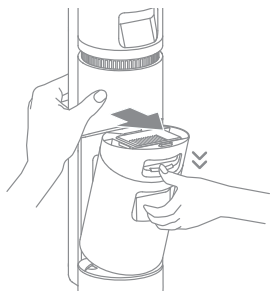
4. Повторно установите роликовую щетку до щелчка.



## Обслуживание и ремонт

### Очистка бака с отработанной водой и фильтра

1. Нажмите на кнопку отсоединения бака с отработанной водой и извлеките бак.



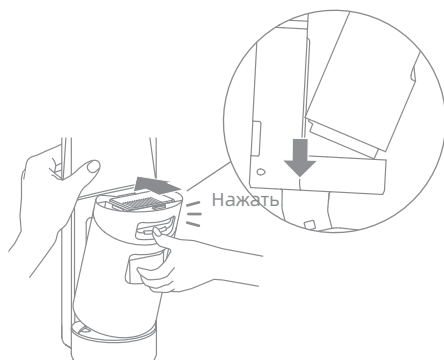
2. Извлеките фильтр из крышки бака с отработанной водой. Снимите крышку бака и вылейте отработанную воду.



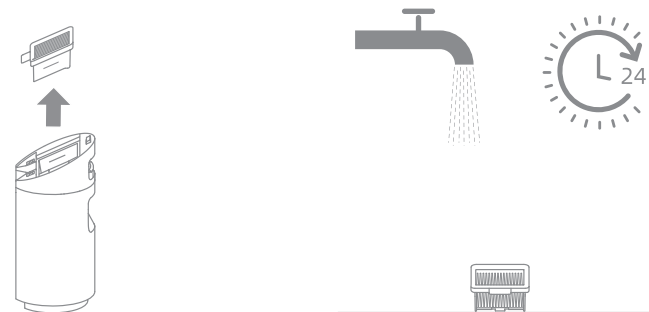
3. Ополосните бак с отработанной водой и крышку чистой водой. Очистите внутренние стенки бака с помощью чистящей щетки в комплекте.



4. Закройте крышку бака с отработанной водой, повторно установите бак на место так, чтобы раздался щелчок.



## Обслуживание и ремонт

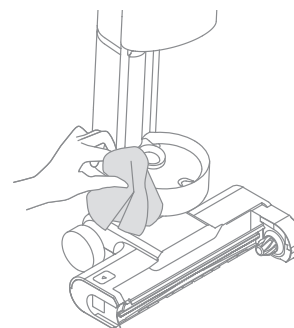


Примечание:

- Когда фильтр загрязнился и требует очистки, ополосните его водой и полностью просушите, прежде чем использовать.
- Рекомендуется выполнять замену фильтра каждые 3-6 месяцев.

### Очистка трубки

Извлеките резервуар для использованной воды. Перед использованием протрите трубку влажной тканью.



## Устранение неисправностей

Ошибка	Возможная причина	Решение
Прибор не работает.	Прибор разрядился или уровень заряда низкий.	Полностью зарядите аккумулятор перед использованием.
	Прибор разрядился или уровень заряда низкий.	Наклоните прибор назад.
	Из-за засорения активирован режим защиты от перегрева.	Удалите блокирующие предметы и подождите, пока температура вернется в норму.
	Бак с отработанной водой переполнен.	Очистите бак с отработанной водой.
	Бак с чистой водой пустой.	Наполните бак чистой водой.
	Детали не устанавливаются на месте.	Убедитесь, что все детали правильно установлены.
Прибор заряжается медленно.	Температура аккумулятора слишком высокая или слишком низкая.	Подождите, пока температура аккумулятора вернется к нормальному значению.
Сила всасывания прибора слабая.	Фильтр не установлен на место.	Убедитесь, что фильтр установлен на место.
	Фильтр засорился.	Очистка фильтра.
	Во входное отверстие для всасывания или трубку попал посторонний предмет.	Очистите трубку и всасывающее отверстие.
Двигатель издает странный шум.	В баке с отработанной водой скопилось слишком много жидкости.	Очистите бак с отработанной водой.
	Основное отверстие всасывания засорилось.	Удалите предметы, блокирующие основное отверстие всасывания.
Во время зарядки индикатор статуса аккумулятора не загорается.	Штекер адаптера питания неправильно вставлен в электрическую розетку.	Убедитесь, что штекер адаптера питания вставлен на место.
	Прибор некорректно установлен на базе для зарядки.	Убедитесь, что прибор корректно установлен на базе для зарядки.

## Устранение неисправностей

Ошибка	Возможная причина	Решение
Из прибора не появляется вода.	Бак с чистой водой установлен некорректно либо бак пустой.	Повторно установите либо наполните бак с чистой водой.
	Для намочания роликовой щетки требуется 30 секунд.	Включите прибор и проверьте повторно через 30 секунд.
Вода вытекает из бака для отработанной воды.	Поднимите прибор с земли, наклоните его или откиньте назад более чем на 140°.	Осторожно потяните прибор назад и вперед, когда он включен.
	После очистки фильтр был просушен не полностью.	Перед использованием тщательно просушите фильтр.
Сбой самоочистки.	Крупные частицы блокируют роликовую щетку.	Откройте крышку роликовой щетки, проверьте и очистите ее.
	Прибор некорректно установлен на базе для зарядки.	Перед включением функции самоочистки убедитесь, что прибор заряжается.
	Функция самоочистки может быть включена, только если пылесос заряжен и уровень заряда аккумулятора составляет более 20%.	Функция самоочистки может быть включена, только если пылесос заряжен и уровень заряда аккумулятора составляет более 20%.
	Бак с отработанной водой установлен некорректно или бак переполнен.	Повторно установите бак с отработанной водой или вылейте содержимое.
	Бак с чистой водой установлен некорректно либо бак пустой.	Повторно установите либо наполните бак с чистой водой.

## Уведомления об ошибках и решения

Если пылесос работает некорректно, на дисплее отобразится сообщение об ошибке. См. таблицу устранения неисправностей для поиска решения.

Код ошибки	Возможная причина	Решение
E1/EE/EF	Ошибка двигателя	Свяжитесь со службой поддержки.
E2/E3/E7/E8/E9	Ошибка аккумулятора	Свяжитесь со службой поддержки.
E4/E5	Несовместимость адаптера питания	Используйте оригинальный адаптер питания или свяжитесь со службой поддержки.
E6	Перегрев аккумулятора	Подождите, пока температура аккумулятора вернется к нормальному значению.

Для получения дополнительных услуг свяжитесь с нами по адресу [aftersales@dreame.tech](mailto:aftersales@dreame.tech)  
<https://global.dreame.tech>

## Технические характеристики

Пылесос			
Модель	NHR21A	Время зарядки	Ок. 4,5 часов
Номинальное напряжение	21,6 В ===	Напряжение зарядки	26 В ===
Номинальная мощность	170 Вт	Расчетная ёмкость	2300 мА·ч
Напряжение зарядки	2500 мА·ч	Объем бака с отработанной водой	500 мл
Объем бака с чистой водой	900 мл		
Адаптер питания			
Модель	YLS0251B-E260090	Средний КПД в активном состоянии	87,28%
Вход	100-240 В ~ 50/60 Гц 0,8 А Макс	КПД при низкой нагрузке (10%)	79,74%
Выход	26 В === 0,9 А	Энергопотребление без нагрузки	0,08 Вт·ч

# Извлечение и утилизация аккумулятора

Встроенный литий-ионный аккумулятор содержит опасные для окружающей среды вещества. Аккумулятор должен быть извлечен квалифицированными техническими специалистами и утилизирован в приспособленном для этого месте.

- перед утилизацией аккумулятора необходимо извлечь из прибора;
- перед извлечением аккумулятора необходимо отключить прибор от источника энергии;
- аккумулятор необходимо утилизировать безопасным способом.

## МЕРЫ ПРЕДОСТОРОЖНОСТИ:

- Перед извлечением аккумулятора отключите прибор от источника питания и максимально израсходуйте заряд аккумулятора.
- Ненужные аккумуляторы необходимо утилизировать в приспособленном для этого месте.
- Запрещается оставлять изделие при высокой температуре во избежание взрывов.
- В случае повреждения аккумулятора жидкость может вытечь. При соприкосновении с жидкостью промойте место контакта водой и обратитесь за медицинской помощью.

## Инструкция по извлечению

1. Извлеките ручку, декоративное кольцо в центральной части прибора и винтовые заглушки.
2. С помощью инструмента извлеките винты в задней части прибора и затем снимите заднюю крышку.
3. Извлеките винты из крышки аккумулятора и откройте ее.
4. Отсоедините провода терминалов между аккумулятором и печатной платой и извлеките аккумулятор.

# Belangrijke Veiligheidsinstructies

Lees deze gebruiksaanwijzing vóór gebruik aandachtig door en bewaar deze voor toekomstig gebruik.

Bij het gebruik van een elektrisch apparaat moeten altijd de basisvoorzorgen in acht worden genomen, waaronder het volgende:

**LEES ALLE INSTRUCTIES VOORDAT U (DIT APPARAAT) GEBRUIKT.** Het niet opvolgen van de waarschuwingen en instructies kan leiden tot elektrische schokken, brand en/of ernstig letsel.

**WAARSCHUWING** - Om het risico op brand, elektrische schokken of letsel te verminderen:

## Gebruiksbeperkingen

- Dit product mag niet worden gebruikt door kinderen jonger dan 8 jaar of personen met lichamelijke, zintuiglijke of intellectuele gebreken, of met beperkte ervaring of kennis zonder toezicht van een ouder of voogd om een veilig gebruik te waarborgen en risico's te vermijden. Reiniging en onderhoud mogen niet zonder toezicht door kinderen worden uitgevoerd.
- Plastic folie kan gevaarlijk zijn. Houd het uit de buurt van kinderen om verstikkingsgevaar te voorkomen.
- Alleen binnenshuis gebruiken, op vloeren zonder vloerbedekking, zoals vinyl, tegels, verzegeld hout, enz. Zorg ervoor dat u niet over losse voorwerpen of de randen van vloerkleden rijdt. Het afslaan van de borstel kan leiden tot voortijdige bandbreuk.
- Gebruik alleen zoals beschreven in deze gebruikershandleiding. Gebruik alleen de door de fabrikant aanbevolen hulpstukken.
- Stel het apparaat niet bloot aan vuur of extreme temperaturen. Blootstelling aan vuur of excessieve temperatuur kan een explosie veroorzaken.
- Niet gebruiken in extreem warme of koude omgevingen (onder 5°C/41°F of boven 40°C/104°F). Laad het apparaat op bij een temperatuur boven 0°C /32°F en onder 40°C /104°F).
- Dompel het apparaat niet onder in vloeistof.
- Niet gebruiken voor het opzuigen van ontvlambare of brandbare vloeistoffen, zoals benzine. Niet gebruiken op plaatsen waar ontvlambare of brandbare vloeistoffen aanwezig kunnen zijn.
- Steek geen voorwerpen in de openingen. Gebruik het apparaat niet wanneer een opening is geblokkeerd; houd het vrij van stof, pluizen, haar en alles wat de luchtstroom kan belemmeren.
- Zuig geen giftige stoffen op (chloorbleekmiddel, ammoniak, afvoerreiniger, enz.). Zuig geen harde of scherpe voorwerpen op zoals glas, spijkers, schroeven, munten, enz.
- Gebruik het apparaat niet in een afgesloten ruimte gevuld met damp die wordt afgegeven door verf op oliebasis, verfverdunner, sommige mottenbestrijdingsmiddelen, brandbaar stof of andere explosieve of giftige dampen. Neem niets op dat brandt of rookt, zoals sigaretten, lucifers of hete as.
- Gebruik het niet zonder geplaatste filters.
- Houd haar, losse kleding, vingers en alle lichaamsdelen uit de buurt van openingen en bewegende delen van het apparaat en de accessoires.
- Houd grondkabels uit de buurt van het apparaat tijdens het gebruik, omdat er gevaar kan ontstaan als het apparaat over een voedingskabel loopt.
- Wees extra voorzichtig bij het schoonmaken op trappen.
- Voeg geen andere vloeistoffen toe dan de officieel goedgekeurde reiniger.

# Belangrijke Veiligheidsinstructies

## Onderhoud en opberging

- Voorkom onbedoeld starten. Zorg ervoor dat de schakelaar in de UIT-stand staat voordat u het apparaat oppakt of draagt. Het dragen van het apparaat met uw vinger op de schakelaar of het onder spanning zetten van het apparaat met de schakelaar aan nodig uit tot ongelukken.
- Zorg ervoor dat het apparaat op een horizontaal oppervlak wordt geplaatst. Gebruik het apparaat niet bij dezelfde plaats als het is uitgerust met een borstelroller en de handgreep niet volledig rechtop staat. Bewaar het apparaat niet op een plaats waar het kan bevriezen.
- Schakel het apparaat uit en trek de stekker uit het stopcontact als u het niet gebruikt, voor u het reinigt, onderhoudt of onderhoudt, en voordat u het aansluit of loskoppelt met een bewegende borstel.
- Gebruik geen apparaat dat beschadigd of gewijzigd is. Een beschadigd of gewijzigd apparaat kan onvoorspelbaar gedrag vertonen, hetgeen kan leiden tot brand, explosie of risico op letsel.
- Wijzig het apparaat niet en probeer het apparaat niet te repareren, behalve zoals aangegeven in de instructies voor gebruik en onderhoud.
- Gebruik het apparaat niet met een beschadigd hulpstuk (bijv. oplaadbasis, Stroomadapter, enz.). Als het hulpstuk beschadigd is, moet het worden vervangen door de fabrikant, diens onderhoudsmonteur of een vergelijkbaar gekwalificeerd persoon om gevaar te voorkomen.
- Laat het onderhoud uitvoeren door een gekwalificeerd reparateur die uitsluitend identieke vervangingsonderdelen gebruikt. Dit zorgt ervoor dat de veiligheid van het product behouden blijft.

## Batterij en opladen

- Gebruik voor het opladen van het apparaat uitsluitend de bij dit apparaat geleverde oplaadbasis. Enkel te gebruiken met een <YLS0251B-E260090> adapter.
- Volg alle oplaadinstructies en laad het apparaat niet op buiten het temperatuurbereik dat in de batterij is aangegeven, omdat dit het risico op brand verhoogt.
- Houd grondkabels uit de buurt van het apparaat tijdens het gebruik, omdat er gevaar kan ontstaan als het apparaat over een voedingskabel loopt.
- Trek of draag de adapter niet met de kabel, gebruik de kabel niet als handvat, sluit geen deuren over de kabel en trek de kabel niet om scherpe hoeken heen.
- Dit product bevat batterijen die alleen vervangen kunnen worden door gekwalificeerde technici of de klantenservice.
- De Lithium-ion batterij bevat stoffen die schadelijk zijn voor het milieu. Alvorens het apparaat weg te doen, verwijder eerst de batterij en vernietig of recycleer volgens de lokale wet- en regelgeving van het land of de regio van gebruik.
- Het apparaat moet losgekoppeld zijn van de stroomtoevoer wanneer de batterij verwijderd wordt. Gewaar de batterij buiten bereik van kinderen. Plaats batterijen nooit in de mond. Bij inslikken, contacteer onmiddellijk uw dokter of lokale antigif centrum.
- Bij gebruik onder slechte omstandigheden, raak nooit de batterij aan vanwaar vloeistoffen kunnen vrijkomen. Indien er toch contact is, spoel met water. Indien de vloeistof in de ogen terecht komt, zoek onmiddellijk medische hulp. De vloeistof uit de batterij kan irritatie of brandwonden veroorzaken.

# Belangrijke Veiligheidsinstructies

## Symbolen



Lees de gebruikershandleiding



Afneembare voedingseenheid

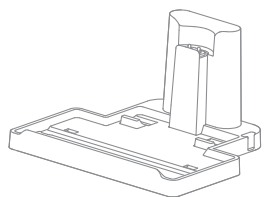


### WEEE Informatie

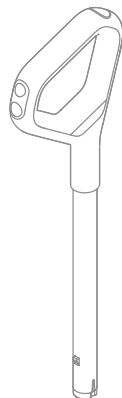
Alle producten met dit symbool zijn afgedankte elektrische en elektronische apparaten (WEEE-richtlijn in 2012/19/EU) die niet mogen worden gemengd met ongesorteerd huishoudelijk afval. In plaats daarvan moet u de menselijke gezondheid en het milieu beschermen door uw afgedankte apparatuur in te leveren bij een aangewezen inzamelpunt voor de recycling van afgedankte elektrische en elektronische apparatuur, dat is aangewezen door de overheid of lokale autoriteiten. Een correcte verwijdering en recycling zal helpen mogelijke negatieve gevolgen voor het milieu en de volksgezondheid te voorkomen. Neem contact op met de installateur of de lokale autoriteiten voor meer informatie over de locatie en de voorwaarden van dergelijke inzamelpunten.

Wij, Dreame Trading (Tianjin) Co., Ltd., verklaren hierbij dat deze apparatuur aan de toepasselijke richtlijnen, Europese normen en wijzigingen voldoet. De volledige tekst van de EU verklaring van overeenstemming is beschikbaar op het volgende internetadres: <https://global.dreametech.com>  
 Voor een gedetailleerde e-handleiding, ga naar <https://global.dreametech.com/pages/user-manuals-and-faqs>

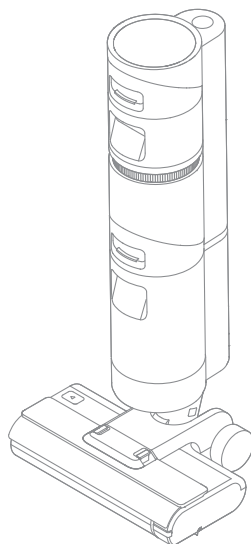
Verpakkingslijst



Oplaadstation



Handvat



Centrale gedeelte



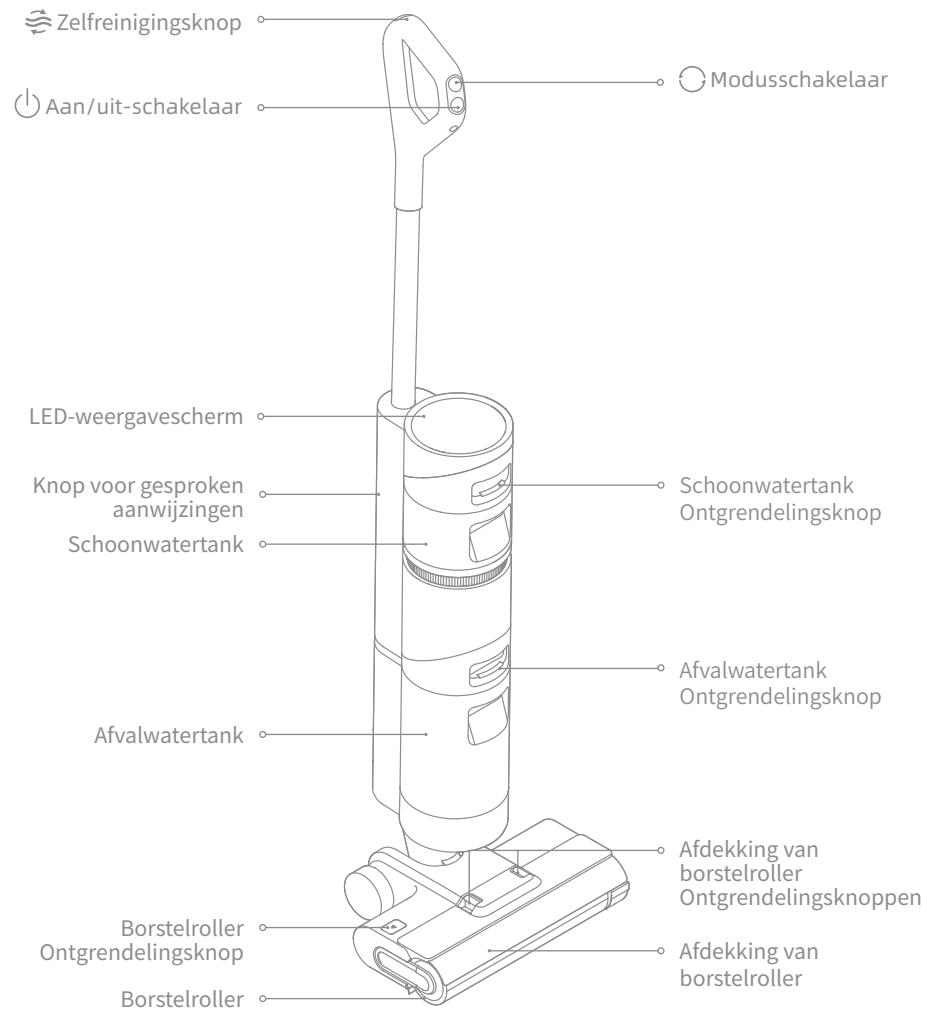
Reinigingsborstel



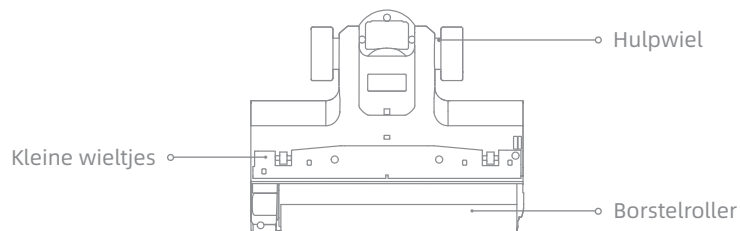
Stroomadapter

Opmerking: De illustraties in deze handleiding dienen alleen ter referentie. Raadpleeg het werkelijke product.

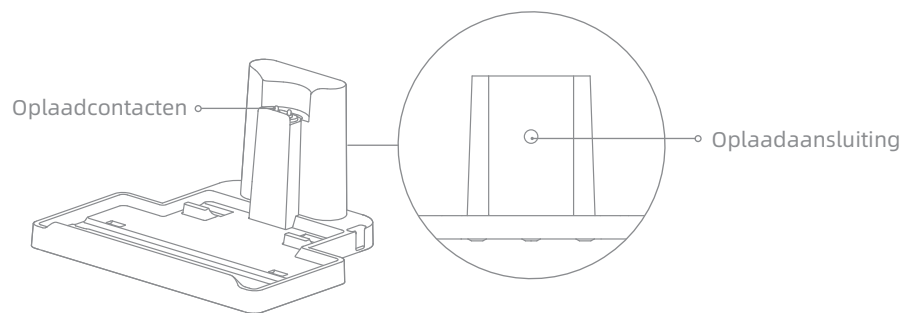
Nat en droog vacuüm



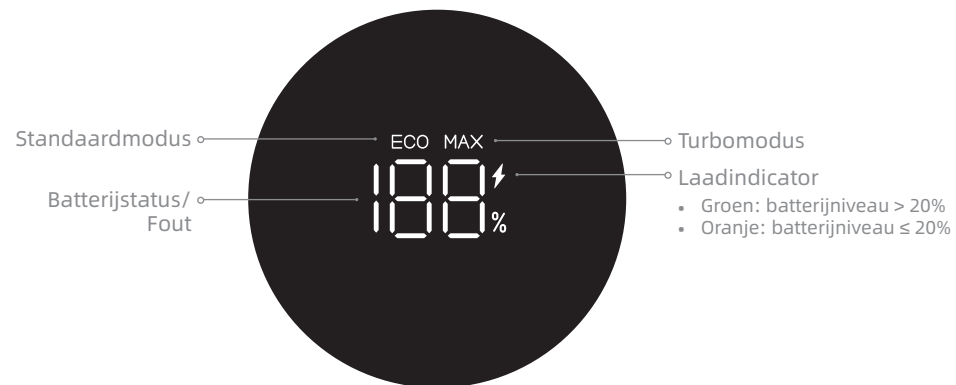
### Montage van rolborstel



### Oplaadstation



### Schermb



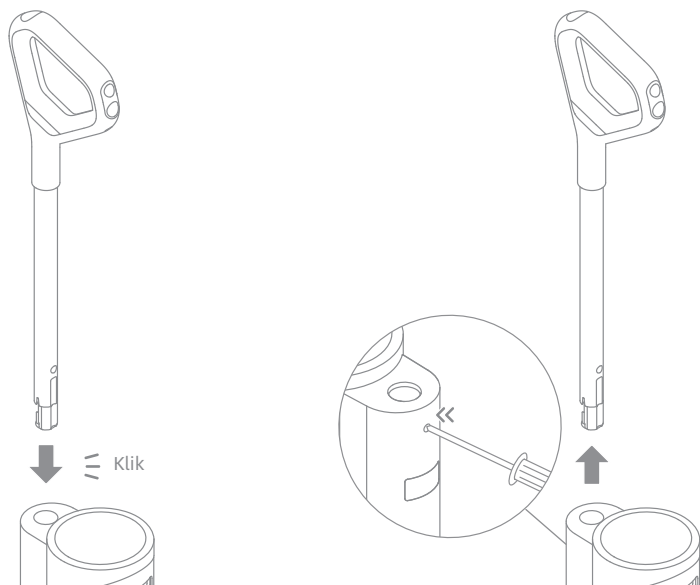
### Knop voor Stemherkenning



## Installatie van het handvat

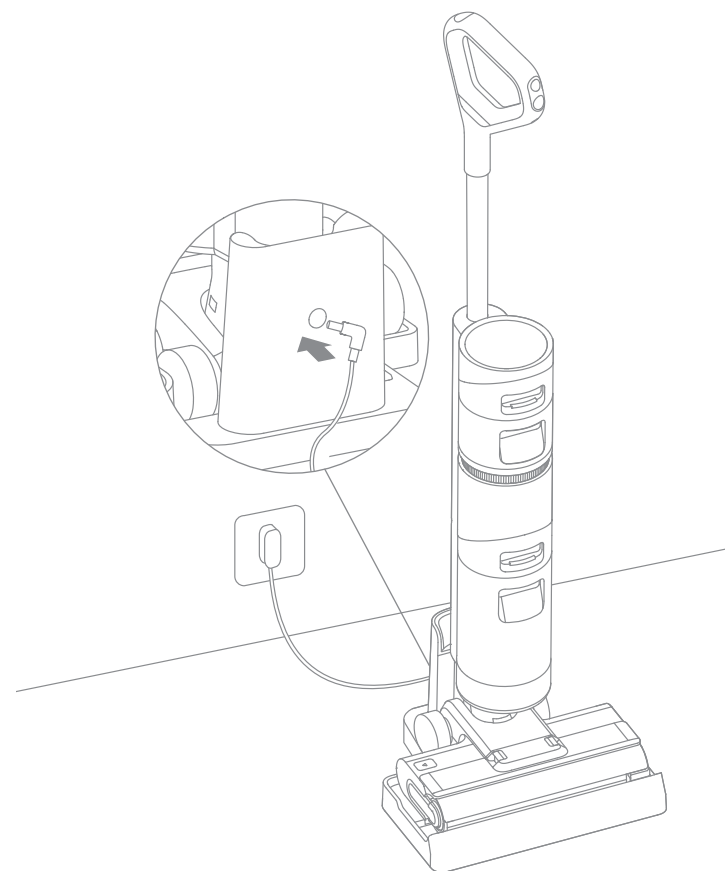
Steek het uiteinde van de handgreep verticaal in de poort op de bovenkant van de zuiger zoals aangegeven totdat u een klik hoort.

Opmerking: Om het apparaat te demonteren, drukt u met het juiste gereedschap op de contacten in de opening aan de achterkant van het apparaat en trekt u tegelijkertijd de handgreep omhoog.



Opmerking: Laad het apparaat volledig op voor het eerste gebruik.

1. Zet het oplaadstation op vlakke ondergrond tegen een muur. Sluit het ene uiteinde van de voedingsadapter aan op het oplaadstation en het andere uiteinde op een stopcontact.
2. Plaats het apparaat op de oplaadbasis, de ⚡ op het scherm licht op om de oplaadstatus aan te geven. Het getal op het scherm geeft het huidige batterijniveau weer als percentage tijdens het opladen. Als het nummer op 100 staat, is de batterij volledig opgeladen.



Opmerking:

- Als er geen bediening plaatsvindt binnen 5 minuten nadat het apparaat volledig is opgeladen, zal de stofzuiger in de slaapstand gaan. Start het apparaat opnieuw op als u het wilt gebruiken.
- Om de levensduur van de batterij te verlengen, zal de batterij automatisch gedurende ongeveer een uur afkoelen na langdurig gebruik.

## Hoe te Gebruiken

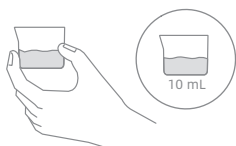
### Vul de zuiverwatertank

Druk op de ontgrendelknop van de Schoonwatertank en trek de tank naar buiten om hem te verwijderen. Verwijder het deksel van de schoonwatertank en vul de tank met schoon water.



### Reinigingsvloeistof toevoegen


Voor betere reinigingsprestaties wordt aanbevolen om met de dop van de fles 10 mL reinigingsmiddel in de volle schoonwatertank te doen, en deze vervolgens voorzichtig en gelijkmatig te schudden voor gebruik.

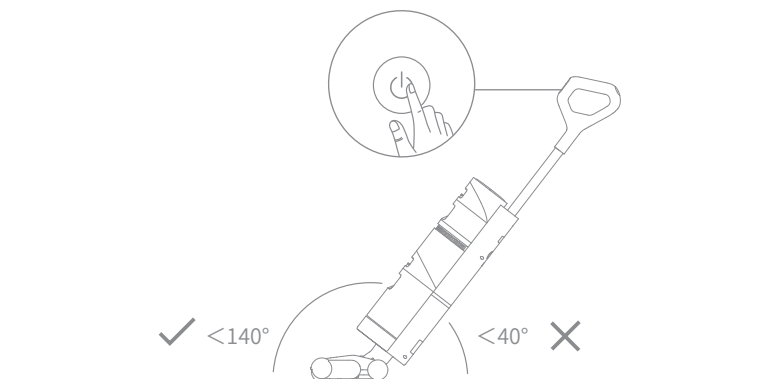


Opmerking: Voeg geen andere vloeistoffen toe dan het officieel goedgekeurde reinigingsmiddel. Het reinigingsmiddel is verkrijgbaar in de officiële online winkel.

## Hoe te Gebruiken

### Begin reiniging

Stap voorzichtig op het borsteldekseel en hel het apparaat naar achter. Druk op de aan/uit schakelaar  om aan of uit te schakelen.

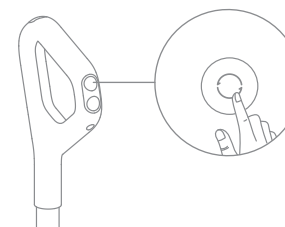


Opmerking:

- Zuig geen schuimende vloeistoffen op.
- Het apparaat moet tijdens het gebruik rechtop staan.
- Het apparaat is geschikt voor het reinigen van vloeren, marmer, tegels en andere harde oppervlakken.
- Als het apparaat in werking is, mag u het niet van de grond tillen, kantelen of meer dan  $140^\circ$  achterover laten leunen. Hierdoor kan het vuile water in de motor stromen.

### Wijzigen van modus

Wanneer het apparaat wordt ingeschakeld, gaat het standaard naar de standaardmodus. U kunt overschakelen naar de turbomodus op basis van uw werkelijke behoeften.



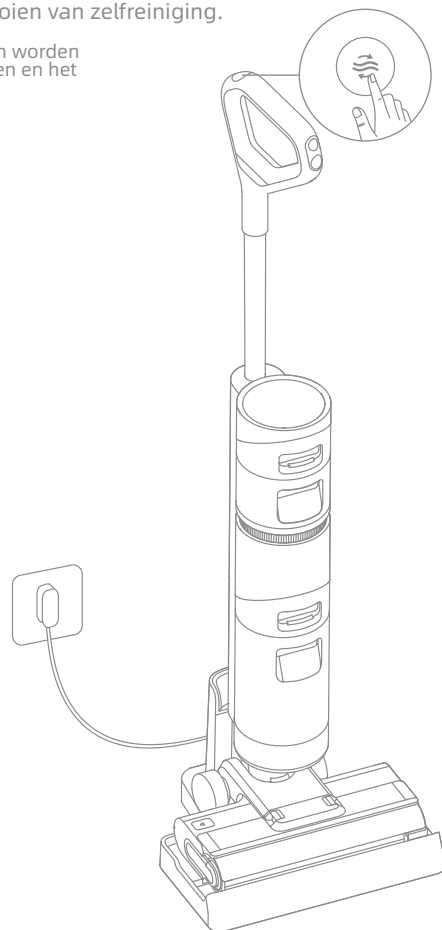
Tips:

- Schakel het apparaat uit voor onderhoud. Raak de aan/uit-schakelaar niet aan.
- Vervang onderdelen indien nodig. De onderdelen moeten worden vervangen door de onderdelen die verkrijgbaar zijn bij de fabrikant of zijn servicevertegenwoordiger.
- Als de stofzuiger gedurende langere tijd niet wordt gebruikt, laad hem dan volledig op, haal de stekker uit het stopcontact en bewaar de stofzuiger in een koele, vochtarme omgeving, uit de buurt van direct zonlicht. Om overontlading van de batterij te voorkomen, laadt u de stofzuiger ten minste eenmaal per 3 maanden op.

### Zelfreiniging met één druk op de knop

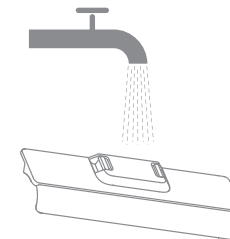
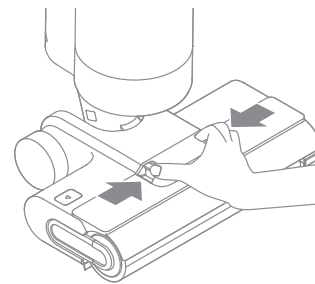
1. Plaats het apparaat op het station terug na reinigen.
2. Druk kortstondig op de zelfreinigingsknop, bovenaan het handvat, om te starten/stoppen met zelfreiniging.
3. Ledig de gebruikte watertank na voltooien van zelfreiniging.

Opmerking: De zelfreinigingsfunctie kan alleen worden ingeschakeld als het apparaat wordt opgeladen en het batterijniveau meer dan 20% is.

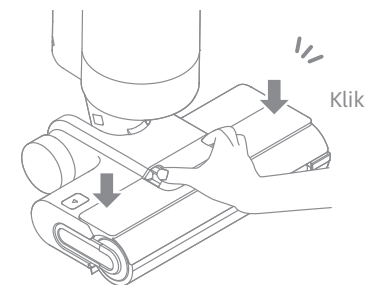
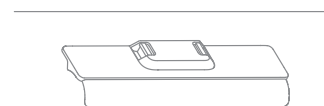


### Reinigen van het borsteldekseel

1. Druk de ontkoppelingsknoppen van de borsteldekseel naar binnen aan beide kanten om het borsteldekseel los te koppelen.



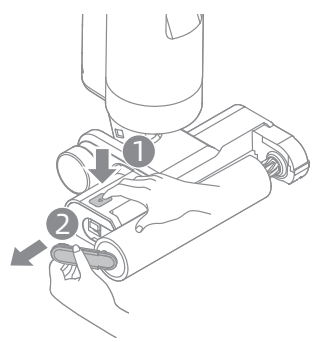
2. Het borsteldekseel kan met zuiver water afgespoeld worden of met een doek afgeveegd worden. Droog volledig voor gebruik.



# Verzorging & Onderhoud

## Reinigen van de borstelrol

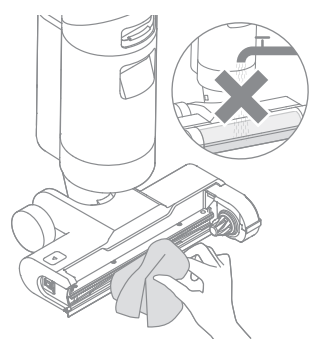
1. Druk op de ontkoppelingsknop voor de borstelrol zodat het handvat van de borstel los komt. Trek aan het handvat om de borstelrol los te verwijderen.



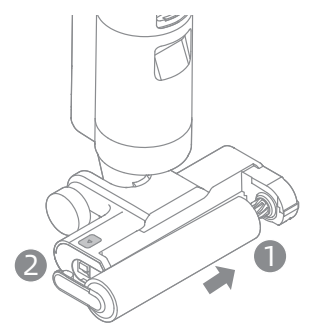
2. Verwijder het haar en vuil dat op de borstelrol zit. Spoel de borstelrol af met schoon water en droog deze volledig.



3. Veeg de aanzuigopening schoon met een droge doek of een natte tissue.



4. Installeer de borstelrol tot je een klik geluid hoort.



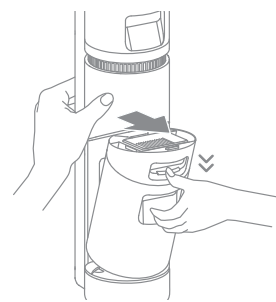
**WAARSCHUWING:** Om het risico op elektrische schokken te vermijden, spoel het gemotoriseerde borstelhoofd niet met water.

**Opmerking:** Maak het schoon als dat nodig is. Het wordt aanbevolen om de borstelrol om de 3 tot 6 maanden te vervangen.

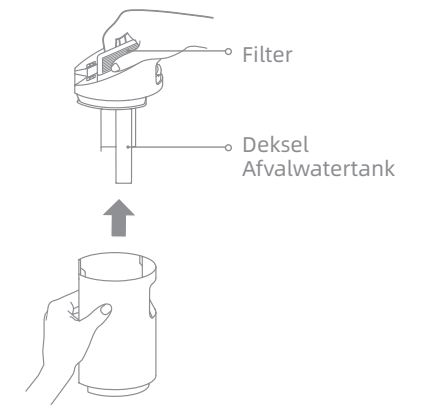
# Verzorging & Onderhoud

## Reinigen van de afvalwatertank en de filter

1. Druk op de ontgrendelknop van de Afvalwatertank en trek de afvalwatertank naar buiten om hem te verwijderen.



2. Neem het filter uit het deksel van de afvalwatertank. Verwijder het tankdeksel en maak de tank leeg.

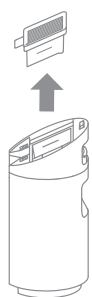


3. Spoel de Afvalwatertank en het tankdeksel met schoon water. Reinig de tank met de bijgeleverde reinigingsborstel.



4. Plaats het filter en het deksel van de Afvalwatertank terug. Plaats vervolgens de Afvalwatertank terug totdat u een klik hoort.



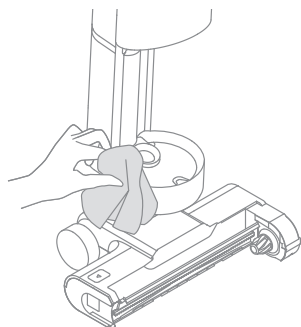


### Opmerking:

- Als het filter vuil is, spoel het dan af met schoon water en droog het volledig af voor gebruik.
- Aanbevolen wordt het filter om de 3 tot 6 maanden te vervangen.

## De buis schoonmaken

Verwijder de vuilwatertank. Veeg de buis vóór gebruik af met een natte doek.



Fout	Mogelijke oorzaak	Oplossing
Het apparaat werkt niet.	De batterij van het apparaat is leeg of het batterijniveau is laag.	Laad de batterij volledig op voor gebruik.
	De batterij van het apparaat is leeg of het batterijniveau is laag.	Zet het apparaat achterover.
	Blokkering geactiveerde oververhittingsbeveiligingsmodus.	Verwijder de blokkade en wacht tot de temperatuur weer normaal is.
	De Afvalwatertank is vol	Leeg de Afvalwatertank.
	De zuiverwatertank is leeg.	Vul de schoonwatertank met water.
Het apparaat laadt langzaam op.	De onderdelen zijn niet op hun plaats geïnstalleerd.	Zorg ervoor dat alle onderdelen goed op hun plaats zitten.
	De temperatuur van de batterij is te laag of te hoog.	Wacht tot de temperatuur van de batterij weer normaal is.
De zuigkracht van het apparaat is zwak.	De filter is niet correct geïnstalleerd.	Zorg ervoor dat de filter correct geïnstalleerd is.
	Het filter is verstopt.	Het filter reinigen.
	De aanzuigopening of -buis is geblokkeerd door een vreemd voorwerp.	Reinig de buis en de aanzuigopening.
De motor maakt een vreemd geluid.	Er zit te veel vuil water in de Afvalwatertank.	Leeg de Afvalwatertank.
	De aanzuigopening is geblokkeerd.	Verwijder eventuele verstoppingen in de aanzuigopening.
Het scherm licht niet op tijdens het opladen.	De stekker van de voedingsadapter is niet goed in het stopcontact gestoken.	Zorg ervoor dat de stekker van de voedingsadapter op zijn plaats zit.
	Het apparaat is niet goed op het oplaadstation geplaatst.	Zorg ervoor dat het apparaat correct op het oplaadstation is geplaatst.

Fout	Mogelijke oorzaak	Oplossing
Er komt geen water uit het apparaat.	De schoonwatertank is niet goed op zijn plaats geïnstalleerd, of er is onvoldoende water in de schoonwatertank.	Installeer of vul de schoonwatertank opnieuw.
	Het duurt 30 seconden om de borstelrol te bevochtigen.	Zet het apparaat aan en controleer het over 30 seconden opnieuw.
De ontluchting lekt water.	Til het apparaat van de grond, kantel het of kantel het meer dan 140° naar achteren.	Trek het apparaat zachtjes heen en weer terwijl het is ingeschakeld.
	Het filter is niet helemaal droog na het reinigen.	Droog het filter volledig voor gebruik.
De zelfreiniging mislukt.	De borstelrol kan vastgelopen zijn door grote vuildeeltjes.	Open het deksel van de borstelrol om de borstelroller te controleren en te reinigen.
	Het apparaat is niet goed op het oplaadstation geplaatst.	Zorg ervoor dat het apparaat is opgeladen voordat u de zelfreinigingsfunctie inschakelt.
	De zelfreiniging kan niet worden ingeschakeld als het batterijniveau lager dan 20% is.	De zelfreiniging kan alleen worden ingeschakeld als het apparaat is opgeladen en het batterijniveau meer dan 20% is.
	De Afvalwatertank is niet op zijn plaats geïnstalleerd, of de Afvalwatertank is vol.	Installeer opnieuw of leeg de Afvalwatertank.
	De schoonwatertank is niet goed op zijn plaats geïnstalleerd, of er is onvoldoende water in de schoonwatertank.	Installeer of vul de schoonwatertank opnieuw.

Als het apparaat niet goed werkt, verschijnt er een foutmelding op het scherm. Raadpleeg de tabel voor het oplossen van problemen.

Foutmeldingscode	Mogelijke oorzaak	Oplossing
E1/EE/EF	Motorfout	Neem contact op met de klantenservice.
E2/E3/E7/E8/E9	Batterijfout	Neem contact op met de klantenservice.
E4/E5	Incompatibele stroomadapter	Gebruik de originele stroomadapter. Als het probleem aanhoudt, neem dan contact op met de klantenservice.
E6	Batterij raakt oververhit	Wacht tot de temperatuur van de batterij weer normaal is.

Voor extra diensten, neem contact met ons op via [aftersales@dreame.tech](mailto:aftersales@dreame.tech) <https://global.dreametech.com>

Nat en droog vacuüm			
Model	HHR21A	Oplaaftijd	Ongeveer 4,5 uur
Nominale Spanning	21,6 V ===	Laadspanning	26 V ===
Gemeten vermogen	170 W	Gemeten capaciteit	2300 mAh
Nominale capaciteit	2500 mAh	Capaciteit van Afvalwatertank	500 mL
Capaciteit van Schoonwatertank	900 mL		
Stroomadapter			
Model	YLS0251B-E260090	Gemiddelde actieve efficiëntie	87,28%
Invoer	100-240V~ 50/60 Hz 0,8 A Max	Efficiëntie bij lage belasting (10%)	79,74%
Uitvoer	26 V === 0,9 A	Stroomverbruik bij geen belasting	0,08 W

De ingebouwde lithium-ion batterij bevat stoffen die schadelijk zijn voor het milieu. Voordat u de batterij weggooit, moet u ervoor zorgen dat de batterij door gekwalificeerde technici wordt verwijderd en naar een geschikt recyclingbedrijf wordt afgevoerd.

- de batterij moet uit het apparaat worden verwijderd voordat het wordt weggegooid;
- het apparaat moet van het stroomnet worden losgekoppeld wanneer de batterij wordt verwijderd;
- de batterij op veilige wijze moet worden afgevoerd.

**LET OP:**

- Voordat u de batterij verwijdert, moet de stroom worden uitgeschakeld en de batterij zoveel mogelijk worden leeggemaakt.
- Ongebruikte batterijen moeten worden weggegooid bij een geschikt recyclingbedrijf.
- Niet blootstellen aan een omgeving met hoge temperaturen om explosiegevaar te voorkomen.
- Onder extreme omstandigheden kan er vloeistof uit de batterij komen. Als contact optreedt, spoelen met water en medische hulp inroepen.

**Verwijderingsgids**

1. Verwijder de handgreep, de decoratieve ring in het midden van het apparaat en de schroefpluggen.
2. Gebruik een geschikt gereedschap om de schroeven aan de achterkant van het apparaat te verwijderen, en verwijder vervolgens de achterklep.
3. Verwijder de schroeven op het batterijdeksel om het batterijdeksel te openen.
4. Maak de aansluitingen tussen de batterij en de printplaat los om de batterij te verwijderen.

## คำแนะนำด้านความปลอดภัยที่สำคัญ

โปรดอ่านคู่มือนี้ อย่างละเอียดก่อนการใช้งาน และเก็บไว้เพื่อใช้ในการอ้างอิงในอนาคต  
เมื่อใช้เครื่องใช้ไฟฟ้า ควรปฏิบัติตามข้อควรระวังที่ ฐานเสมอ ซึ่ง รวมถึงรายการดังต่อไปนี้  
**อ่านคำแนะนำทั้งหมดก่อนการใช้งาน (อุปกรณ์นี้)** การไม่ปฏิบัติตามคำเตือนและคำแนะนำ อาจ  
ทำให้เกิดไฟฟ้าช็อต ไฟไหม้ และ/หรือได้รับบาดเจ็บสาหัสได้  
**คำเตือน** -เพื่อลดความเสี่ยงในการเกิดไฟไหม้ ไฟฟ้าช็อต หรือการบาดเจ็บ:

### ข้อห้ามในการใช้งาน

- ผลิตภัณฑ์นี้ไม่ควรให้ใช้งานโดยเด็กที่มีอายุต่ำกว่า 8 ปีหรือบุคคลที่มีความบกพร่องทางร่างกาย ทางประสาทสัมผัส ทางสติปัญญา หรือมีประสบการณ์หรือความรู้ที่จำกัด เว้นแต่จะได้รับการดูแลจากพ่อแม่หรือผู้ปกครองเพื่อรับรองความปลอดภัยจากการใช้งานและหลีกเลี่ยงความเสี่ยงใดๆ ห้ามให้เด็กทำความสะอาดและบำรุงรักษา เว้นแต่จะได้รับการดูแล
- ฟิล์มพลาสติกอาจเป็นอันตรายได้ ควรเก็บให้พ้นมือเด็ก เพื่อหลีกเลี่ยงอันตรายจากการมีของอุดกั้นทางเดินลมหายใจ
- ใช้ภายในอาคารเท่านั้น ใช้กับพื้นผิวที่ไม่ปูพรม เช่น ไวนิล กระเบื้อง ไม้ชนิดปิดผนึก ฯลฯ ระวังอย่าให้วังทับสิ่งของที่กระจัดกระจายหรือขอบพรม แปร่งติดค้างอาจทำให้สายพานขัดข้องก่อนเวลาอันควร
- ใช้งานตามที่ระบุไว้ในคู่มือผู้ใช้เท่านั้น ใช้ชิ้นส่วนประกอบที่แนะนำโดยผู้ผลิตเท่านั้น
- ห้ามปล่อยให้อุปกรณ์สัมผัสกับเปลวไฟ หรืออยู่ในสภาพแวดล้อมที่ร้อนจัด มิฉะนั้น อาจทำให้เกิดการระเบิดได้
- ห้ามใช้ในสภาพแวดล้อมที่ร้อนจัดหรือเย็นจัด (ต่ำกว่า 5°C/41°F หรือสูงกว่า 40°C/104°F โปรดชำระอุณหภูมิในอุณหภูมิที่สูงกว่า 5°C/41°F และต่ำกว่า 40°C/104°F)
- ห้ามนำอุปกรณ์จุ่มลงในของเหลว
- ห้ามใช้ตุ๊ดของเหลวไวไฟหรือของเหลวติดไฟ เช่น น้ำมันเบนซิน ห้ามใช้ในบริเวณที่อาจมีของเหลวไวไฟหรือของเหลวติดไฟได้
- ห้ามวางสิ่งของใด ๆ ในช่องเปิด ห้ามใช้อุปกรณ์เมื่อมีสิ่งกีดขวางอยู่ในช่องเปิด ให้กำจัดฝุ่น เศษผ้า เส้นผม หรือสิ่งใด ๆ ที่อาจขัดขวางการไหลของอากาศออก
- ห้ามดูดวัตถุที่มีพิษ (สารฟอกขาวคลอรีน แอมโมเนีย น้ำยาล้างท่อตัน ฯลฯ) ห้ามดูดของแข็งหรือของมีคม เช่น แก้ว ตะปู สกรู เหรียญ ฯลฯ
- ห้ามใช้อุปกรณ์นี้ในพื้นที่ปิดที่เต็มไปด้วยไอระเหยจากน้ำมัน ทินเนอร์ สารป้องกันมอดบางชนิด ฝุ่น ไรไฟ หรือไอระเหยอื่น ๆ ที่ระเหยได้หรือเป็นพิษ ห้ามดูดสิ่งที่กำลังลุกไหม้หรือปล่อยควันอยู่ เช่น บุหรี่ ไม้ขีดไฟ หรือซีลาร์ออน
- ห้ามใช้งานเมื่อไม่ได้ติดตั้งตัวกรอง
- เก็บเส้นผม ผ้า นิ้วมือ และทุกส่วนของร่างกายให้ห่างจากช่องดูดและชิ้นส่วนที่เคลื่อนไหวได้ของอุปกรณ์และอุปกรณ์เสริม
- เก็บสายไฟให้ห่างจากอุปกรณ์ขณะใช้งาน เนื่องจากอาจเกิดอันตรายได้หากอุปกรณ์วิ่งทับสายไฟ
- ใช้ความระมัดระวังเป็นพิเศษเมื่อทำความสะอาดบนบันได
- ห้ามเติมของเหลวใดๆ นอกเหนือจากน้ำยาทำความสะอาดที่ผ่านการรับรองจากผู้ผลิต สามารถสั่งซื้อน้ำยาทำความสะอาดที่ร้านค้าออนไลน์ของผู้ผลิตได้

### การบำรุงรักษาและการจัดเก็บ

- ป้องกันการสสารที่โดยไม่ได้ตั้งใจ ตรวจสอบสวิทช์ว่าอยู่ในตำแหน่งปิดก่อนที่จะหยิบหรือเคลื่อนย้ายอุปกรณ์ การเคลื่อนย้ายอุปกรณ์ในแนวราบหรือบนสวิทช์ หรือเคลื่อนย้ายอุปกรณ์ที่เปิดอยู่ จะทำให้เกิดอุบัติเหตุได้
- ตรวจสอบอุปกรณ์ว่าถูกวางไว้บนพื้นราบ ห้ามใช้อุปกรณ์ในตำแหน่งเดียวกันหากมีปรังลูกกลิ้งบนเครื่องและมีจับไม่ได้ตั้งตรงอย่างเต็มที่ ห้ามเก็บอุปกรณ์ไว้ในที่ที่หนาวจัดจนเกิดน้ำแข็งได้
- ปิดเครื่องและถอดปลั๊กออก เมื่อไม่ต้องใช้งาน ก่อนทำความสะอาด ก่อนทำการบำรุงรักษา ก่อนซ่อมแซมอุปกรณ์ และก่อนใส่หรือถอดแปรงที่เคลื่อนที่ได้
- ห้ามใช้อุปกรณ์ที่ชำรุดหรือมีการดัดแปลง แปดเตอร์ที่ชำรุดหรือมีการดัดแปลง อาจมีอาการที่ไม่สามารถคาดเดาได้ ทำให้เกิดไฟไหม้ ระเบิด หรือเสี่ยงต่อการบาดเจ็บ

## คำแนะนำด้านความปลอดภัยที่สำคัญ

- ห้ามปรับปรุงหรือซ่อมแซมอุปกรณ์เอง ยกเว้นตามที่ระบุไว้ในคำแนะนำวิธีใช้งานและวิดีโอแลกรักษา
- ห้ามใช้งานเมื่ออุปกรณ์เสริม (เช่น แผ่นชาร์จ อะแดปเตอร์ ฯลฯ) ชำรุด หากอุปกรณ์เสริมชำรุด ต้องติดต่อผู้ผลิต ตัวแทนบริการของผู้ผลิต หรือบุคคลอื่นๆ ที่มีคุณสมบัติคล้ายคลึงกันมาเปลี่ยนใหม่ เพื่อป้องกันอันตราย
- ทำการซ่อมบำรุงโดยช่างซ่อมที่มีคุณสมบัติเหมาะสม และใช้ชิ้นส่วนอะไหล่ที่เหมือนกันเท่านั้น จะช่วยในการรักษาความปลอดภัยของผลิตภัณฑ์ได้

### แบตเตอรี่ และการชาร์จ

- เมื่อชาร์จแบตเตอรี่ ให้ใช้อะแดปเตอร์แบบถอดได้ที่ให้ไปพร้อมกับอุปกรณ์เท่านั้น ใช้อะแดปเตอร์ <YLS0251B-E260090> เท่านั้น
- ปฏิบัติตามคำแนะนำสำหรับการชาร์จทุกประการ และห้ามชาร์จอุปกรณ์นอกช่วงอุณหภูมิที่ระบุไว้บนแบตเตอรี่ เนื่องจากจะเพิ่มความเสี่ยงในการเกิดไฟไหม้
- เก็บสายไฟให้ห่างจากอุปกรณ์ขณะใช้งานเนื่องจากอาจเกิดอันตรายได้หากอุปกรณ์วิ่งทับสายไฟ
- ห้ามดึงสายอะแดปเตอร์ ถีอะแดปเตอร์ที่สาย ใช้สายอะแดปเตอร์เป็นที่ยึด ปิดประตูด้วยสายอะแดปเตอร์ หรือดึงสายอะแดปเตอร์บนขอบหรือมุมที่แหลมคม
- แบตเตอรี่นี้ผลิตกันที่สามารถเปลี่ยนได้โดยช่างเทคนิคหรือตัวแทนบริการหลังการขายที่ผ่านการรับรองเท่านั้น
- ชุดแบตเตอรี่ลิเธียมมีสารที่เป็นอันตรายต่อสิ่งแวดล้อม ก่อนที่จะทิ้งอุปกรณ์ โปรดถอดแบตเตอรี่ออกมา จากนั้นนำไปทิ้งหรือรีไซเคิลให้ถูกต้องตามกฎหมายและข้อบังคับท้องถิ่นของประเทศหรือภูมิภาคผู้ใช้
- เมื่อถอดแบตเตอรี่ ต้องตัดการเชื่อมต่อระหว่างอุปกรณ์กับแหล่งจ่ายไฟก่อน เก็บแบตเตอรี่ให้พ้นมือเด็ก ห้ามนำแบตเตอรี่เข้าปาก หากกลืนกินเข้าไป โปรดติดต่อแพทย์หรือหน่วยงานควบคุมพิษท้องถิ่น
- ห้ามสัมผัสกับแบตเตอรี่ที่อาจมีของเหลวฟุ้งออกในสถานะที่ไม่เหมาะสม หากมีการสัมผัสโดยบังเอิญ ให้ล้างออกด้วยน้ำ หากของเหลวเข้าตา ให้ไปพบแพทย์ทันที ของเหลวที่ฟุ้งออกจากแบตเตอรี่อาจทำให้เกิดการระคายเคืองหรือแผลไหม้ได้

# คำแนะนำด้านความปลอดภัยที่สำคัญ

## สัญลักษณ์



อ่านคู่มือการใช้งาน



หน่วยจ่ายไฟแบบถอดได้

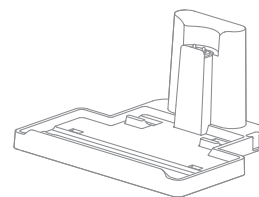


## ข้อมูล WEEE

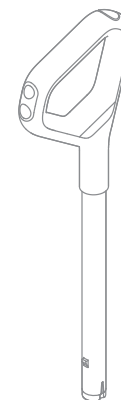
ผลิตภัณฑ์ทั้งหมดที่มีสัญลักษณ์นี้เป็นขยะอุปกรณ์ไฟฟ้าและอิเล็กทรอนิกส์ (WEEE ตามคำสั่ง 2012/19/EU) ซึ่งไม่ควรรวมกับขยะมูลฝอยในครัวเรือนที่ยังไม่ได้แยกประเภท คุณต้องปกป้องสุขภาพมนุษย์และสิ่งแวดล้อมด้วยการนำส่งขยะอุปกรณ์ไปยังจุดรวบรวมที่กำหนดสำหรับการรีไซเคิลขยะอุปกรณ์ไฟฟ้าและอิเล็กทรอนิกส์ที่จัดตั้งโดยรัฐบาลหรือหน่วยงานท้องถิ่น การทิ้งและรีไซเคิลอย่างถูกต้องจะช่วยป้องกันผลกระทบเชิงลบที่อาจเกิดขึ้นต่อสิ่งแวดล้อมและสุขภาพมนุษย์ โปรดติดต่อผู้ติดตั้งหรือหน่วยงานท้องถิ่น เพื่อขอข้อมูลเพิ่มเติมเกี่ยวกับที่ตั้ง ข้อกำหนด และเงื่อนไขของจุดรวบรวมเหล่านี้

# คำอธิบายรายละเอียดสินค้า

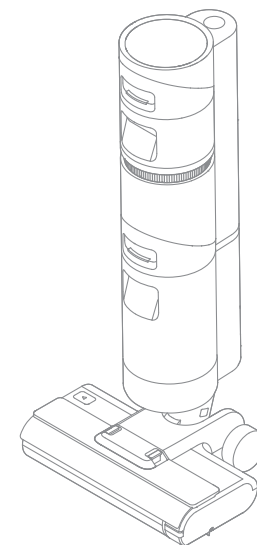
## รายการบรรจุหีบห่อ



แท่นชาร์จ



มือจับ



ตัวเครื่อง



แปรงปัดฝุ่น



อะแดปเตอร์

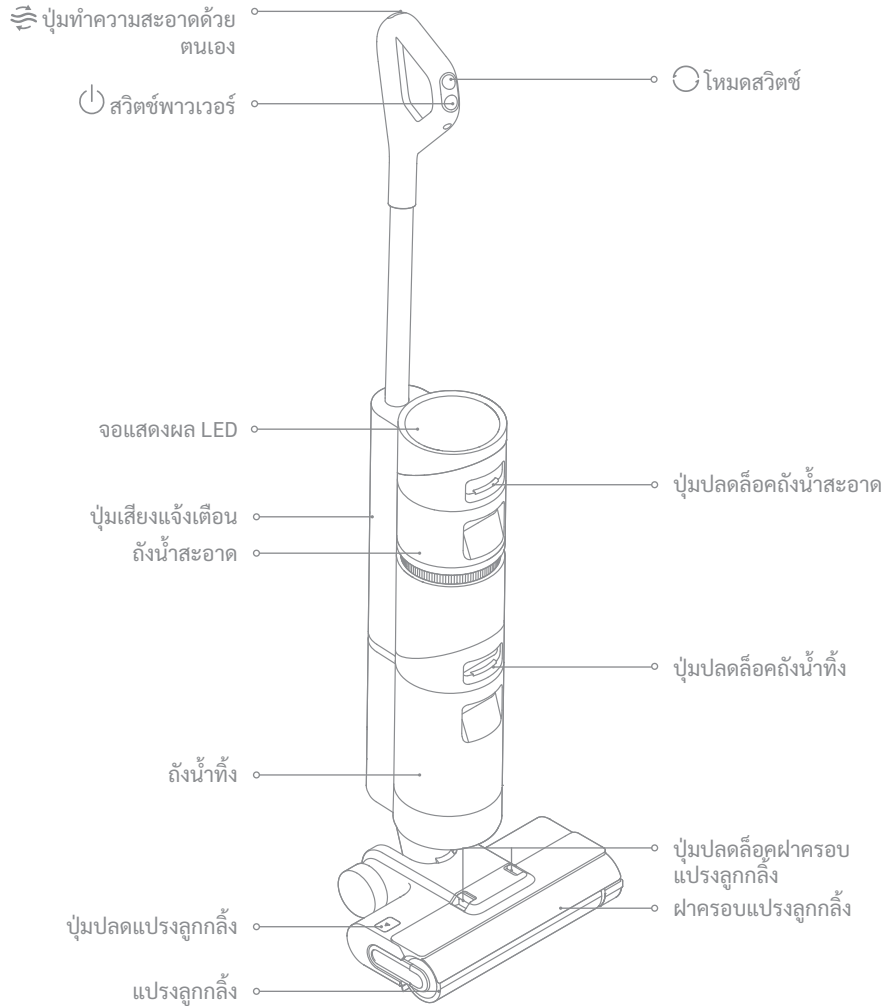
บริษัท ดรีมมี เทคโนโลยี (เทียจิน) จำกัด ขอประกาศในที่นี้ว่า อุปกรณ์นี้สอดคล้องกับคำสั่งที่เกี่ยวข้อง  
บรรทัดฐานของยุโรป และเอกสารฉบับแก้ไข สำหรับข้อความฉบับเต็มของคำประกาศความสอดคล้องของ  
สหภาพยุโรป โปรดไปที่: <https://global.dreametech.com>

สำหรับคู่มืออิเล็กทรอนิกส์ที่ระบุรายละเอียดต่างๆ โปรดไปที่  
<https://global.dreametech.com/pages/user-manuals-and-faqs>

หมายเหตุ: รูปภาพในคู่มือมีไว้เพื่อประกอบคำอธิบายเท่านั้น อาจแตกต่างจากผลิตภัณฑ์จริง

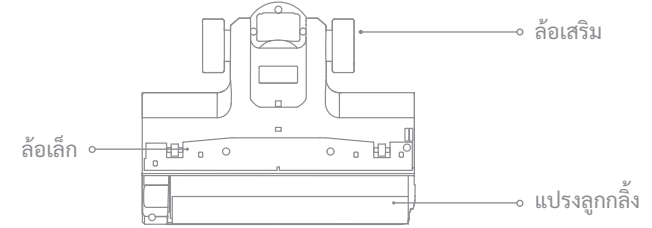
# คำอธิบายรายละเอียดสินค้า

## เครื่องดูดฝุ่นดูดน้ำ

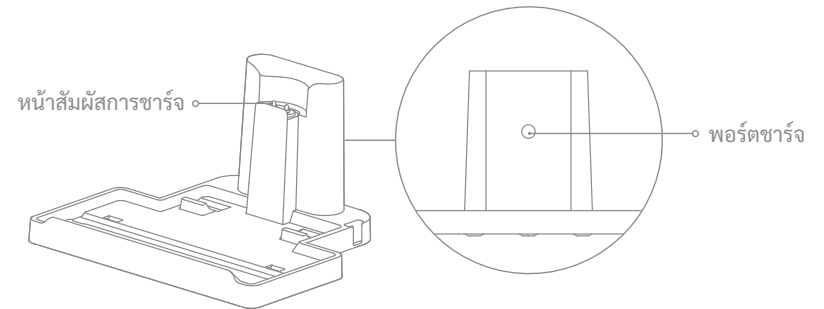


# คำอธิบายรายละเอียดสินค้า

## ชุดแปรงลูกกลิ้ง

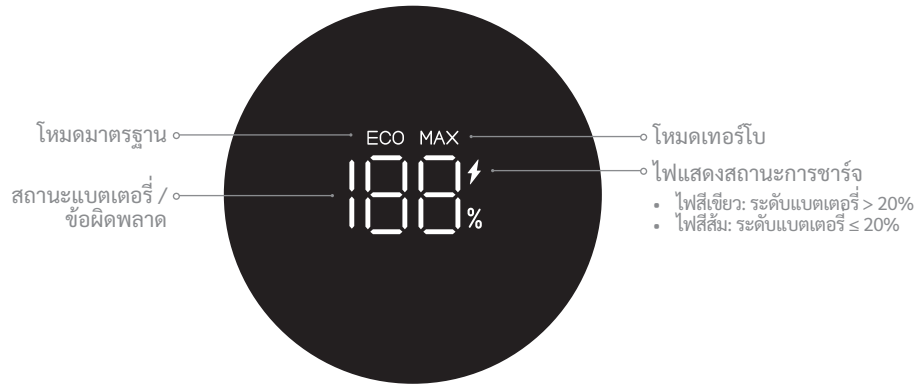


## แท่นชาร์จ

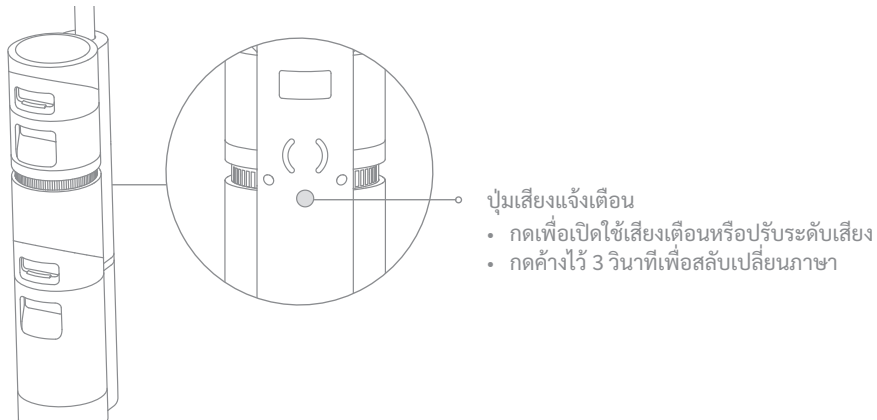


# คำอธิบายรายละเอียดสินค้า

## จอแสดงผล



## ปุ่มเสียงแจ้งเตือน

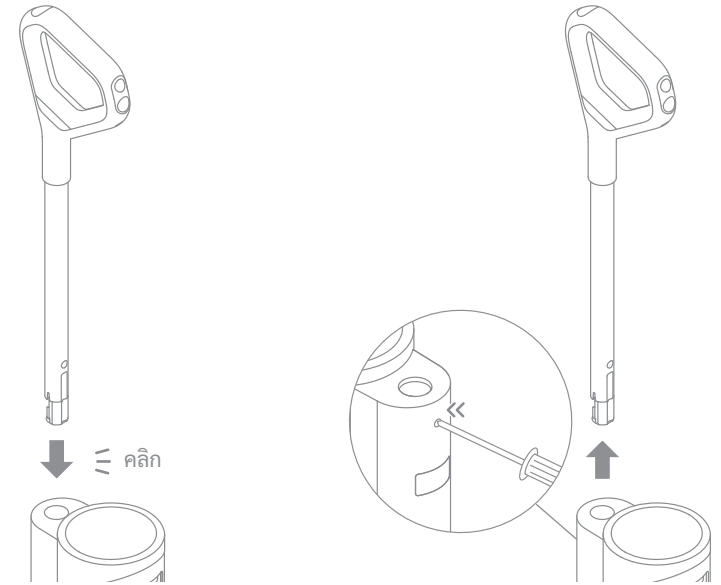


# การติดตั้ง

## ติดตั้งมือจับ

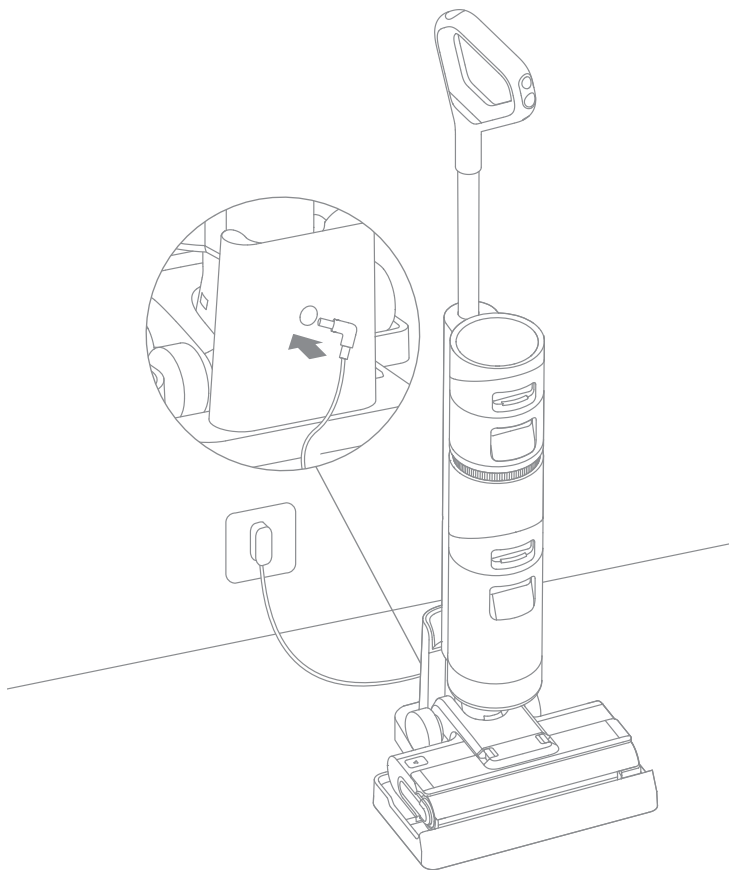
เสียบด้านปลายมือจับเข้าไปในพอร์ตด้านบนของอุปกรณ์ตามแนวตั้ง ดังที่แสดงในภาพ จนกว่าได้ยินเสียงคลิก

หมายเหตุ: เมื่อต้องการถอดออก ให้เสียบวัตถุแข็งเข้าไปในรูด้านหลังอุปกรณ์ กดจุดคอนแทคไว้ และดึงมือจับขึ้นมาพร้อมกัน



หมายเหตุ: ชาร์จเครื่องดูดฝุ่นดูดน้ำให้เต็มก่อนการใช้งานครั้งแรก

1. วางแท่นชาร์จบนพื้นเรียบ ให้ชิดกับผนัง เชื่อมต่อปลายด้านหนึ่งของอะแดปเตอร์เข้ากับแท่นชาร์จ และปลายอีกด้านหนึ่งเข้ากับเต้ารับในบ้าน
2. วางอุปกรณ์ไว้บนแท่นชาร์จ เมื่อได้ยินเสียงเตือน "เริ่มชาร์จ" อุปกรณ์เปิดใช้งานโหมดชาร์จตัวเลขบนหน้าจอก็จะแสดงระดับแบตเตอรี่เป็นเปอร์เซ็นต์แบบเรียลไทม์ระหว่างการชาร์จ เมื่อตัวเลขขึ้นไปถึง 100 แสดงว่าแบตเตอรี่ชาร์จเต็ม



หมายเหตุ:

- หลังจากชาร์จเต็มแล้ว หากไม่มีการใช้งานภายใน 5 นาที อุปกรณ์จะเข้าสู่โหมดสลีป โปรดรีเซ็ตรหัสอุปกรณ์หากคุณต้องการใช้งาน
- เพื่อยืดอายุการใช้งานของแบตเตอรี่ แบตเตอรี่จะลดอุณหภูมิลงโดยอัตโนมัติเป็นเวลาประมาณหนึ่งชั่วโมงหลังจากใช้ อุปกรณ์เป็นเวลานาน

## วิธีการใช้งาน

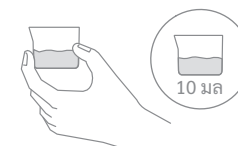
### เติมน้ำลงถังน้ำสะอาด

กดปุ่มปลดถังน้ำสะอาด เพื่อนำถังออกมา เปิดฝาล้างและเติมน้ำสะอาดลงในถัง



### การเติมน้ำยาทำความสะอาด

เพื่อให้ประสิทธิภาพการทำงานความสะอาดได้ดียิ่งขึ้น ขอแนะนำให้เติมน้ำยาทำความสะอาดปริมาณ 10 มล. โดยปิดฝาของถังเก็บน้ำสะอาดให้แน่น จากนั้นให้เขย่าเบา ๆ ให้เข้ากันเพื่อใช้งาน

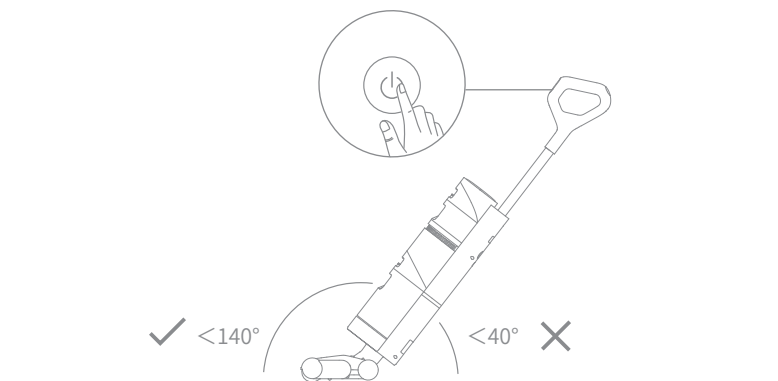


หมายเหตุ: ห้ามเติมน้ำยาประเภทอื่นนอกเหนือจากน้ำยาทำความสะอาดที่ได้รับการรับรองอย่างเป็นทางการนั้น สามารถทำขออนุญาตน้ำยาทำความสะอาดได้จากร้านค้าออนไลน์อย่างเป็นทางการ

# วิธีการใช้งาน

## เริ่มทำความสะอาด

เหยียบฝาครอบแปรงอย่างเบาๆ และเอนอุปกรณ์ไปข้างหลัง กดสวิตช์เปิด/ปิด  เพื่อให้เริ่ม/หยุดทำงาน

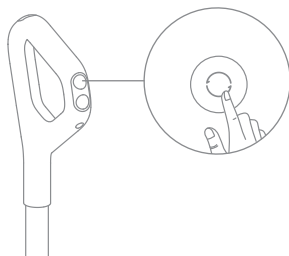


หมายเหตุ:

- ห้ามดูดของเหลวที่เป็นฟอง
- หากอุปกรณ์ถูกตั้งตรงระหว่างการทำงาน จะหยุดทำงานลง
- อุปกรณ์นี้เหมาะสำหรับใช้ในการทำความสะอาดพื้นไม้ พื้นหินอ่อน พื้นกระเบื้อง และพื้นผิวแข็งชนิดอื่นๆ
- ขณะเครื่องกำลังทำงาน ห้ามยกเครื่องขึ้นจากพื้น เอียงหรือเอนเครื่องไปด้านหลังมากกว่า 140° การกระทำดังกล่าวอาจทำให้น้ำที่ใช้แล้วไหลเข้าไปในมอเตอร์ได้

## เปลี่ยนโหมด

เมื่อเปิดเครื่อง เครื่องจะตั้งค่าเริ่มต้นเป็นโหมดมาตรฐาน คุณสามารถเปลี่ยนเป็นโหมดเทอร์โบได้ตามความต้องการที่แท้จริง



# การซ่อมบำรุง

ข้อควรระวัง:

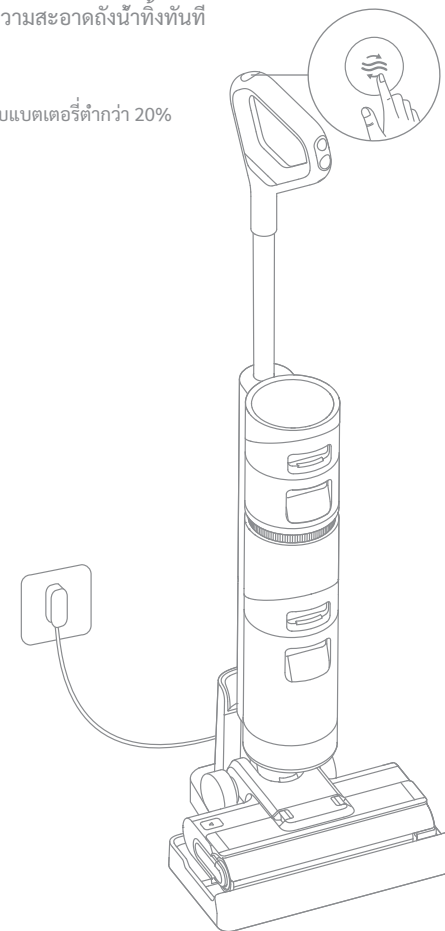
- ปิดเครื่องก่อนทำการบำรุงรักษา ห้ามสัมผัสสวิตช์พาวเวอร์
- เปลี่ยนชิ้นส่วนเมื่อต้องการ ให้ใช้ชิ้นส่วนที่หาซื้อจากผู้ผลิตหรือตัวแทนบริการของผู้ผลิต
- หากไม่ต้องใช้งานอุปกรณ์เป็นเวลานาน ควรชาร์จให้เต็มก่อน ถอดอะแดปเตอร์ปลั๊กไฟออก แล้วเก็บไว้ในที่เย็น ความชื้นต่ำ และไม่มีแสงแดดส่องถึงโดยตรง ให้ชาร์จอุปกรณ์อย่างน้อยทุกๆ 3 เดือนเพื่อป้องกันไม่ให้อะแดปเตอร์คายประจุออกมามากเกินไป

## ทำความสะอาดเองด้วยการคลิกเพียงครั้งเดียว

1. หลังจากทำความสะอาดเสร็จ วางอุปกรณ์ไว้บนแท่น
2. กดปุ่มทำความสะอาดตัวเองที่ด้านบนมือจับ แล้วปล่อย เพื่อเริ่ม/หยุดทำความสะอาดตัวเอง
3. หลังจากทำความสะอาดตัวเองเสร็จ ให้ทำความสะอาดถึงน้ำทิ้งทันที

หมายเหตุ:

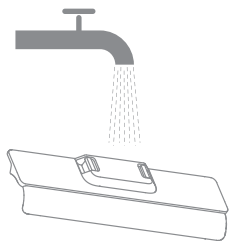
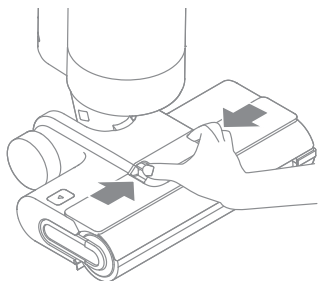
ไม่สามารถเปิดใช้การทำความสะอาดตัวเองหากระดับแบตเตอรี่ต่ำกว่า 20%



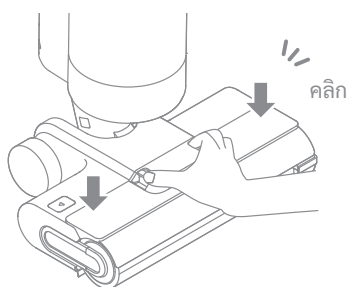
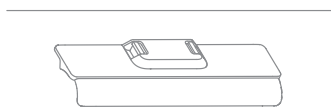
## การซ่อมบำรุง

### ทำความสะอาดฝาคกรอบแปรง

1. กดปุ่มปลดฝาคกรอบแปรงลูกกลิ้งเข้าด้านในจากทั้งสองข้าง เพื่อถอดฝาคกรอบแปรงลูกกลิ้งออก



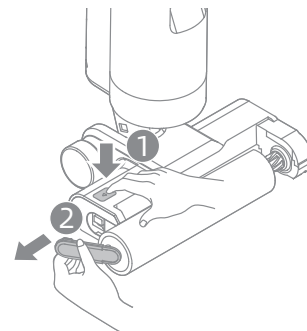
2. สามารถล้างฝาคกรอบแปรงด้วยน้ำสะอาดหรือเช็ดด้วยผ้าเช็ดจานได้ เช็ดให้แห้งสนิทก่อนที่จะนำไปใช้ต่อ



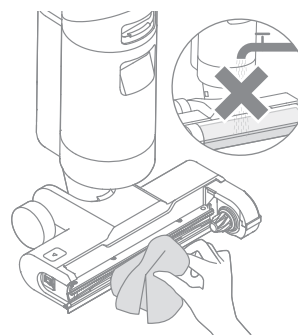
## การซ่อมบำรุง

### ทำความสะอาดแปรงลูกกลิ้ง

1. กดปุ่มปลดแปรงลูกกลิ้ง, มือจับของแปรงลูกกลิ้งจะเด้งออก ดึงมือจับเพื่อนำแปรงลูกกลิ้งออกมา



3. เช็ดช่องดูดลมด้วยผ้าแห้งหรือทิชชูเปียก



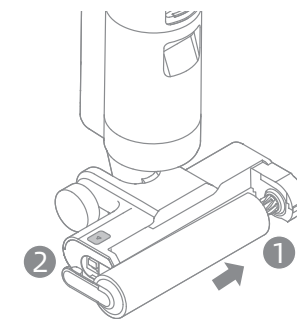
คำเตือน: เพื่อลดความเสี่ยงจากไฟฟ้าช็อตหรือการบาดเจ็บ ห้ามล้างชุดแปรงลูกกลิ้งด้วยน้ำ

หมายเหตุ: ทำความสะอาดตามที่จำเป็น แนะนำให้เปลี่ยนแปรงลูกกลิ้งทุก ๆ 3 ถึง 6 เดือน

2. ขจัดเศษผมและสิ่งสกปรกที่พันกันบนแปรงลูกกลิ้งออก ล้างแปรงลูกกลิ้งด้วยน้ำสะอาดและเช็ดให้แห้งสนิท



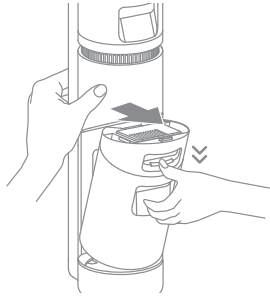
4. ติดตั้งแปรงลูกกลิ้งกลับไปจนกว่าคุณจะได้ยินเสียงคลิก



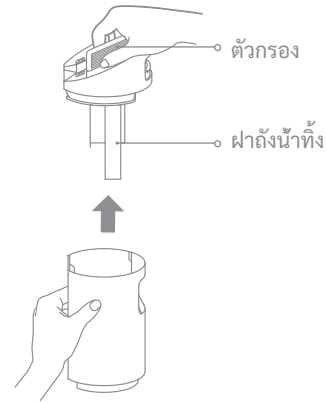
# การซ่อมบำรุง

## การทำความสะอาดถังน้ำสะอาดและตัวกรอง

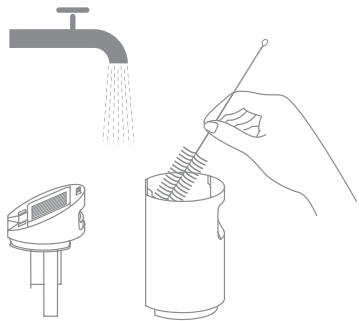
1. กดปุ่มปลดถังน้ำทิ้ง และนำถังน้ำทิ้งออก



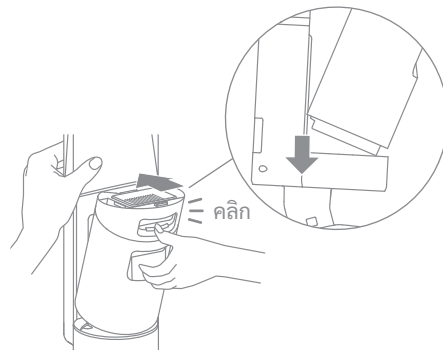
2. นำตัวกรองออกจากฝาของถังน้ำทิ้ง ถอดฝาและเทน้ำสกปรกออก



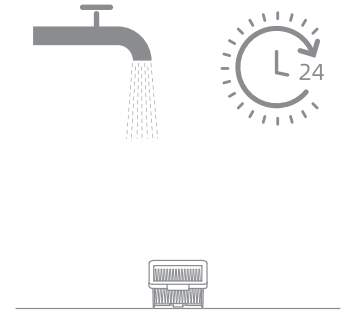
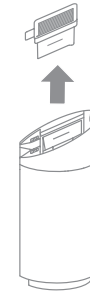
3. ล้างถังน้ำทิ้งกับฝาลังด้วยน้ำ ใช้แปรงทำความสะอาดที่ไปทำความสะอาดผนังด้านในของถัง



4. ปิดฝาลังน้ำทิ้ง ใส่ถังน้ำทิ้งกลับไปใหม่ที่เดิม และตรวจสอบว่าได้เข้าที่อย่างถูกต้อง



# การซ่อมบำรุง

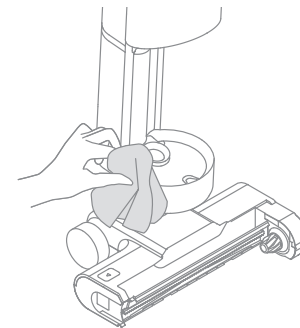


หมายเหตุ:

- เมื่อตัวกรองสกปรก ต้องการล้างให้สะอาด ให้ล้างด้วยน้ำ และต้องทำให้แห้งสนิทก่อนใช้งาน
- ขอแนะนำให้เปลี่ยนตัวกรองทุกๆ 3 ถึง 6 เดือน

## การทำความสะอาดท่อ

ถอดถังน้ำที่ใช้แล้วออก เช็ดท่อด้วยผ้าเปียกก่อนใช้งาน



# การแก้ไขปัญหา

ข้อผิดพลาด	สาเหตุที่เป็นไปได้	วิธีการแก้ไข
อุปกรณ์ไม่ทำงาน	อุปกรณ์เบตาฯ หหมด หรือระดับแบตเตอรี่เหลือน้อย	ชาร์จแบตเตอรี่ให้เต็มก่อนใช้งาน
	อุปกรณ์เบตาฯ หหมด หรือระดับแบตเตอรี่เหลือน้อย	เอนอุปกรณ์ไปข้างหลัง
	โหมดป้องกันอุณหภูมิสูงถูกเปิดใช้งานเนื่องจากเกิดการอุดตัน	นำสิ่งอุดตันออก และรอจนอุณหภูมิลดลงสู่ระดับปกติ
	ถังน้ำทิ้งเต็ม	เทน้ำในถังน้ำทิ้งออกให้หมด
	ไม่มีน้ำในถังน้ำสะอาด	เติมน้ำลงในถังน้ำสะอาด
	ไม่ได้ติดตั้งชิ้นส่วนให้เข้าที่	แน่ใจว่าชิ้นส่วนทั้งหมดอยู่ในตำแหน่งที่ถูกต้อง
อุปกรณ์ชาร์จช้า	อุณหภูมิของแบตเตอรี่ต่ำหรือสูงเกินไป	รอจนอุณหภูมิแบตเตอรี่กลับสู่สภาพปกติ
แรงดูดของอุปกรณ์อ่อน	ติดตั้งตัวกรองไม่ถูกต้อง	ตรวจสอบว่าได้ติดตั้งตัวกรองอย่างถูกต้อง
	ตัวกรองอุดตัน	กำลังทำความสะอาดตัวกรอง
	สิ่งแปลกปลอมอุดกั้นช่องดูดหรือท่อ	ทำความสะอาดท่อกับช่องดูดลม
มอเตอร์ส่งเสียงดังผิดปกติ	น้ำสกปรกในถังน้ำทิ้งมากเกินไป	เทน้ำในถังน้ำทิ้งออกให้หมด
	ช่องดูดลมอุดตัน	นำสิ่งอุดตันออกจากช่องดูดลม
หน้าจอจะไม่สว่างขึ้นขณะที่ชาร์จ	ไม่ได้เสียบปลั๊กตัวแปลงไฟฟ้าเข้ากับเต้ารับไฟฟ้าอย่างถูกต้อง	ต้องตรวจสอบให้แน่ใจว่าเสียบปลั๊กตัวแปลงไฟฟ้าเข้าที่แล้ว
	ไม่ได้วางอุปกรณ์ไว้บนแท่นชาร์จอย่างถูกต้อง	ตรวจสอบว่าได้วางอุปกรณ์ไว้บนแท่นชาร์จอย่างถูกต้อง

# การแก้ไขปัญหา

ข้อผิดพลาด	สาเหตุที่เป็นไปได้	วิธีการแก้ไข
ไม่มีน้ำออกจากอุปกรณ์	ใส่ถังน้ำสะอาดไม่ถูกต้อง หรือน้ำในถังน้ำสะอาดไม่เพียงพอ	ใส่ถังน้ำสะอาดอีกครั้ง หรือเติมน้ำลงในถังน้ำสะอาด
	ใช้เวลา 30 วินาทีในการทำให้แปรงลูกกลิ้งเปียกน้ำ	เปิดเครื่องและตรวจสอบอีกครั้งภายใน 30 วินาที
มีน้ำรั่วออกจากช่องส่งลม	ยกเครื่องขึ้นจากพื้น เอียงหรือเอนเครื่องไปข้างหลังมากกว่า 140°	ค่อย ๆ ดึงเครื่องไปมาเบา ๆ ในขณะที่เปิดเครื่อง
	ไม่ได้ทำให้ตัวกรองแห้งสนิทหลังจากทำความสะอาด	ทำให้ตัวกรองแห้งสนิทก่อนใช้งาน
ทำความสะอาดตัวเองล้มเหลว	อาจมีเศษขยะชิ้นใหญ่ทำให้แปรงลูกกลิ้งหยุดหมุน	เปิดฝาครอบแปรงลูกกลิ้ง เพื่อตรวจสอบและทำความสะอาดแปรงลูกกลิ้ง
	ไม่ได้วางอุปกรณ์ไว้บนแท่นชาร์จอย่างถูกต้อง	ตรวจสอบว่าได้ชาร์จอุปกรณ์แล้ว ก่อนเปิดใช้ฟังก์ชันทำความสะอาดตัวเอง
	สามารถเปิดใช้ฟังก์ชันทำความสะอาดตัวเองได้ต่อเมื่ออุปกรณ์กำลังชาร์จอยู่ และระดับแบตเตอรี่มากกว่า 20%	สามารถเปิดใช้ฟังก์ชันทำความสะอาดตัวเองได้ต่อเมื่ออุปกรณ์กำลังชาร์จอยู่และระดับแบตเตอรี่มากกว่า 20%
	ใส่ถังน้ำทิ้งไม่ถูกต้อง หรือถังน้ำทิ้งเต็ม	ใส่ถังน้ำทิ้งอีกครั้ง หรือเทน้ำในถังน้ำทิ้งออกให้หมด
	ใส่ถังน้ำสะอาดไม่ถูกต้อง หรือน้ำในถังน้ำสะอาดไม่เพียงพอ	ใส่ถังน้ำสะอาดอีกครั้ง หรือเติมน้ำลงในถังน้ำสะอาด

## ข้อความแสดงข้อผิดพลาดและวิธีแก้ไข

หากอุปกรณ์ทำงานผิดปกติ จะมีข้อความแสดงข้อผิดพลาดขึ้นบนหน้าจอ โปรดดูตารางการแก้ไขปัญหาเพื่อค้นหาวิธีแก้ไขที่คุณต้องการ

รหัสข้อผิดพลาด	สาเหตุที่เป็นไปได้	วิธีการแก้ไข
E1/EE/EF	ข้อผิดพลาดของมอเตอร์	โปรดติดต่อศูนย์บริการลูกค้า
E2/E3/E7/E8/E9	แบตเตอรี่ขัดข้อง	โปรดติดต่อศูนย์บริการลูกค้า
E4/E5	อะแดปเตอร์แหล่งจ่ายไฟที่ไม่รองรับ	โปรดใช้อะแดปเตอร์แหล่งจ่ายไฟของแท้ หากยังคงพบปัญหา โปรดติดต่อฝ่ายบริการลูกค้า
E6	แบตเตอรี่ร้อนจัด	รอจนอุณหภูมิของแบตเตอรี่กลับมาเป็นปกติ แล้วจึงใช้เครื่องดูดฝุ่นดูดน้ำต่อไป

สำหรับบริการเพิ่มเติม โปรดติดต่อเราผ่าน [aftersales@dreame.tech](mailto:aftersales@dreame.tech)  
<https://global.dreametech.com>

## ข้อมูลจำเพาะ

เครื่องดูดฝุ่นดูดน้ำ			
รุ่น	HHR21A	เวลาในการชาร์จ	ประมาณ 4.5 ชั่วโมง
แรงดันไฟฟ้าพิกัด	21.6 V ===	แรงดันไฟฟ้าในการชาร์จ	26 V ===
กำลังพิกัด	170 W	ความจุพิกัด	2300 mAh
ความจุระบุ	2500 mAh	ความจุของถังน้ำทิ้ง	500 mL
ความจุของถังน้ำสะอาด	900 mL		
อะแดปเตอร์			
รุ่น	YLS0251B-E260090	ประสิทธิภาพการทำงานโดยเฉลี่ย	87.28%
ขาเข้า	100-240 V ~ 50/60 Hz 0.8 A Max	ประสิทธิภาพเมื่อทำงานที่ภาระโหลดต่ำ (10%)	79.74%
ขาออก	26 V === 0.9 A	การใช้พลังงานขณะไม่มีโหลด	0.08 W

แบตเตอรี่ลิเธียมในตัวผลิตภัณฑ์มีสารที่เป็นอันตรายต่อสิ่งแวดล้อม ก่อนที่จะทิ้งแบตเตอรี่ให้ตรวจสอบว่าแบตเตอรี่ถูกถอดออกมาโดยช่างเทคนิคที่มีคุณสมบัติเพียงพอ และทิ้งที่จุดรีไซเคิลที่เหมาะสม

- ต้องถอดแบตเตอรี่ออกมาก่อนที่จะทิ้งอุปกรณ์
- เมื่อถอดแบตเตอรี่ ต้องตัดการเชื่อมต่อระหว่างอุปกรณ์กับแหล่งจ่ายไฟ
- ต้องจัดการแบตเตอรี่อย่างปลอดภัย

**คำเตือน:**

- ก่อนที่จะถอดแบตเตอรี่ให้ตัดการเชื่อมต่อกับแหล่งจ่ายไฟ และใช้แบตเตอรี่ให้หมดเท่าที่จะทำได้
- แบตเตอรี่ที่ไม่ใช้แล้ว ต้องทิ้งที่จุดรีไซเคิลที่เหมาะสม
- ห้ามวางแบตเตอรี่อยู่ในสภาพแวดล้อมที่มีอุณหภูมิสูง เพื่อป้องกันการเกิดระเบิด
- อาจมีของเหลวพุ่งออกจากแบตเตอรี่ภายใต้สภาวะที่ไม่เหมาะสม หากสัมผัสของเหลวโดยไม่ตั้งใจ ให้ล้างออกด้วยน้ำ และขอความช่วยเหลือทางการแพทย์

**ขั้นตอนการถอดแบตเตอรี่**

1. ถอดมือจับ แหวนตักแต่งบนบริเวณตอนกลางของอุปกรณ์ และจุกปิดสกรู
2. ใช้เครื่องมือที่เหมาะสมในการถอดสกรูบนด้านหลังอุปกรณ์ แล้วถอดฝาครอบด้านหลังออก
3. ถอดสกรูบนฝาครอบแบตเตอรี่ และเปิดฝาครอบแบตเตอรี่
4. ดึงเทอร์มินัลระหว่างแบตเตอรี่กับบอร์ด PCB เพื่อถอดแบตเตอรี่

Vui lòng đọc kỹ hướng dẫn này trước khi sử dụng và bảo quản nó để tham khảo trong tương lai.

Khi sử dụng thiết bị điện, phải luôn tuân thủ các biện pháp phòng ngừa cơ bản, bao gồm các điều sau:

**ĐỌC KỸ TẤT CẢ HƯỚNG DẪN TRƯỚC KHI SỬ DỤNG (THIẾT BỊ NÀY).** Việc không tuân theo các cảnh báo và hướng dẫn có thể dẫn đến điện giật, cháy nổ và/hoặc thương tích nghiêm trọng.

**CẢNH BÁO** - Để giảm nguy cơ cháy nổ, điện giật hoặc thương tích:

**Hạn Chế Sử Dụng**

- Trẻ em dưới 8 tuổi và những người suy giảm khả năng thể chất, giác quan, trí tuệ, hoặc người thiếu kinh nghiệm hoặc kiến thức cần có sự giám sát của cha mẹ hoặc người giám hộ để đảm bảo vận hành thiết bị an toàn và tránh mọi rủi ro. Trẻ em không được phép thực hiện vệ sinh và bảo dưỡng mà không có sự giám sát.
- Màn hình nhựa có thể gây nguy hiểm. Để tránh nguy cơ ngạt thở, hãy để nó xa tầm tay trẻ em.
- Chỉ sử dụng trên các bề mặt sàn không trải thảm trong nhà như nhựa vinyl, nền gạch, gỗ kín, v.v. Không di chuyển qua các vật lỏng lẻo hoặc mép biên của khu vực trải thảm. Kẹt chổi có thể làm dây curoa bị hỏng sớm.
- Chỉ sử dụng như mô tả trong hướng dẫn sử dụng này. Chỉ sử dụng các phụ kiện được khuyến nghị bởi nhà sản xuất.
- Không để thiết bị tiếp xúc với lửa hoặc nhiệt độ quá cao. Tiếp xúc với lửa hoặc nhiệt độ quá cao có thể gây cháy nổ.
- Không sử dụng trong môi trường quá nóng hoặc quá lạnh (dưới 5°C/41°F hoặc trên 40°C/104°F). Vui lòng sạc thiết bị ở nhiệt độ trên 5°C/41°F và dưới 40°C/104°F).
- Không nhúng thiết bị vào dung dịch lỏng.
- Không dùng máy để hút các chất lỏng dễ cháy hoặc dễ bắt lửa, chẳng hạn như xăng. Không sử dụng ở nơi có thể có chất lỏng dễ cháy hoặc dễ bắt lửa.
- Không đặt bất kỳ đồ vật nào vào lỗ hút. Không sử dụng thiết bị khi có lỗ hút bị tắc; để xa bụi, xơ vải, tóc hoặc các vật dụng khác có thể làm giảm luồng không khí.
- Không hút vật liệu độc hại (thuốc tẩy clo, amoniac, bột thông cống, v.v.). Không hút các vật cứng hoặc sắc nhọn như thủy tinh, đinh, ốc vít, tiền xu, v.v.
- Không sử dụng thiết bị trong không gian kín chứa đầy hơi do sơn gốc dầu, dung môi pha sơn, một số chất chống mốc, bụi dễ cháy, hơi độc hoặc chất nổ khác bốc ra. Không hút bất cứ thứ gì đang cháy hoặc đang bốc khói như thuốc lá, diêm hoặc tro nóng.
- Không sử dụng máy hút bụi khi chưa lắp bộ lọc.
- Giữ tóc, quần áo, ngón tay và tất cả bộ phận của cơ thể tránh xa lỗ hút và các bộ phận chuyển động của thiết bị và các phụ kiện của nó.
- Giữ dây điện trên mặt sàn cách xa thiết bị khi sử dụng, vì có thể xảy ra nguy hiểm nếu thiết bị chạy qua dây nguồn.
- Phải đặc biệt lưu ý khi lau chùi cầu thang.

# Chỉ Dẫn An Toàn Quan Trọng

- Không thêm bất kỳ chất lỏng nào khác ngoài chất tẩy rửa được phê duyệt chính thức.

## Bảo Dưỡng và Bảo Quản

- Phòng ngừa việc khởi động ngoài ý muốn. Đảm bảo công tắc ở vị trí TẮT trước khi nhấc hoặc mang thiết bị. Mang thiết bị với ngón tay đặt trên công tắc hoặc thiết bị có công tắc ở trạng thái bật sẽ dẫn đến tai nạn.
- Đảm bảo thiết bị được đặt trên bề mặt nằm ngang. Không sử dụng thiết bị ở cùng một vị trí nếu được trang bị chổi lăn và tay cầm không hoàn toàn thẳng đứng. Không cất giữ thiết bị ở nơi có thể bị đóng băng.
- Tắt nguồn và rút phích cắm khi không sử dụng, trước khi vệ sinh, bảo trì hoặc bảo dưỡng thiết bị, và trước khi kết nối hoặc ngắt kết nối thiết bị với chổi di động.
- Không sử dụng thiết bị đã hỏng hoặc đã sửa đổi. Pin hỏng hoặc bị thay đổi có thể dẫn đến các nguy cơ cháy nổ hoặc gây thương tích không thể lường trước.
- Không thay đổi hoặc cố gắng sửa chữa thiết bị trừ các trường hợp đã nêu trong hướng dẫn sử dụng và bảo trì.
- Không sử dụng thiết bị khi phụ kiện kèm theo bị hỏng (ví dụ: Đế sạc, Bộ Sạc Điện, v.v.) Nếu phụ kiện kèm theo bị hỏng thì phải được thay thế bởi nhà sản xuất, đại lý dịch vụ hoặc những người có trình độ chuyên môn để tránh nguy hiểm.
- Dịch vụ bảo trì phải được thực hiện bởi người có trình độ chuyên môn và sử dụng các bộ phận thay thế giống nhau. Điều này sẽ đảm bảo cho việc duy trì sự an toàn của sản phẩm.

## Pin và Sạc

- Chỉ sử dụng bộ nguồn có thể tháo rời được cung cấp kèm theo thiết bị này để sạc pin. Chỉ sử dụng với bộ sạc <YLS0251B-E260090>.
- Tuân theo tất cả các hướng dẫn sạc và không sạc thiết bị bên ngoài phạm vi nhiệt độ được chỉ định vì sẽ làm tăng nguy cơ cháy nổ.
- Giữ dây điện trên mặt sàn cách xa thiết bị khi sử dụng, vì có thể xảy ra nguy hiểm nếu thiết bị chạy qua dây nguồn.
- Không kéo hoặc xách bộ sạc bằng cáp, sử dụng cáp làm tay cầm, đóng cửa cấn lên cáp hoặc kéo cáp xung quanh các cạnh hoặc góc sắc nhọn.
- Sản phẩm này chứa pin chỉ có thể được thay bởi kỹ thuật viên có trình độ chuyên môn hoặc dịch vụ hậu mãi.
- Bộ pin lithium-ion này có chứa các chất độc hại cho môi trường. Trước khi vứt bỏ máy hút bụi, vui lòng tháo pin, sau đó loại bỏ hoặc tái chế theo luật và quy định ở địa phương của quốc gia hoặc khu vực mà pin được sử dụng.
- Phải ngắt kết nối thiết bị với nguồn điện khi tháo pin. Giữ pin ngoài tầm với của trẻ em. Giữ pin ngoài tầm với của trẻ em. Không bao giờ cho pin vào miệng. Nếu nuốt phải, hãy liên hệ với bác sĩ hoặc cơ quan kiểm soát chất độc tại địa phương.
- Trong tình huống bị vỡ, tuyệt đối không được tiếp xúc với chất lỏng chảy ra từ pin. Nếu vỏ tình tiếp xúc, hãy rửa sạch bằng nước. Nếu chất lỏng tiếp xúc với mắt, hãy tìm trợ giúp y tế ngay lập tức. Chất lỏng phun ra từ pin có thể gây kích ứng hoặc bỏng.

# Chỉ Dẫn An Toàn Quan Trọng

## Ký hiệu



Đọc hướng dẫn sử dụng



Bộ nguồn có thể tháo rời



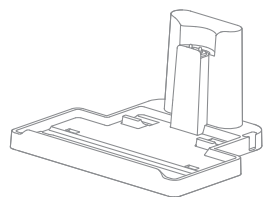
## Thông Tin Rác Thải Thiết Bị Điện Và Điện Tử

Tất cả các sản phẩm mang ký hiệu này đều là rác thải thiết bị điện và điện tử (WEEE theo chỉ thị 2012/19/EU) không được để lẫn với rác thải sinh hoạt chưa phân loại. Thay vào đó, bạn nên bảo vệ môi trường và sức khỏe con người bằng cách mang thiết bị rác thải của mình đến điểm thu gom do chính phủ hoặc chính quyền địa phương chỉ định để tái chế. Xử lý và tái chế đúng cách giúp ngăn ngừa những hậu quả tiêu cực có thể xảy ra đối với môi trường và sức khỏe con người. Vui lòng liên hệ với người lắp đặt hoặc chính quyền địa phương để biết thêm thông tin về địa điểm cũng như các điều khoản và điều kiện của các điểm thu gom đó.

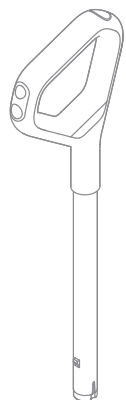
Bằng văn bản này, công ty TNHH We Dreame Trading (Thiên Tân) tuyên bố rằng thiết bị này tuân thủ theo các Chỉ thị và Quy chuẩn Châu Âu hiện hành cũng như các sửa đổi. Toàn văn tuyên bố về sự tuân thủ của Liên minh Châu Âu hiện có tại địa chỉ internet sau:  
<https://global.dreametech.com>  
 Để tham khảo hướng dẫn sử dụng điện tử, vui lòng truy cập  
<https://global.dreametech.com/pages/user-manuals-and-faqs>

# Tổng Quan Về Sản Phẩm

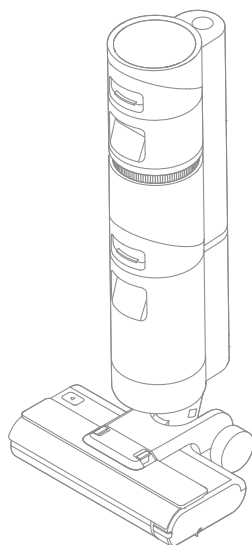
## Danh Sách Đóng Gói



Đế Sạc



Tay Cầm



Thân Máy



Chổi Vệ Sinh

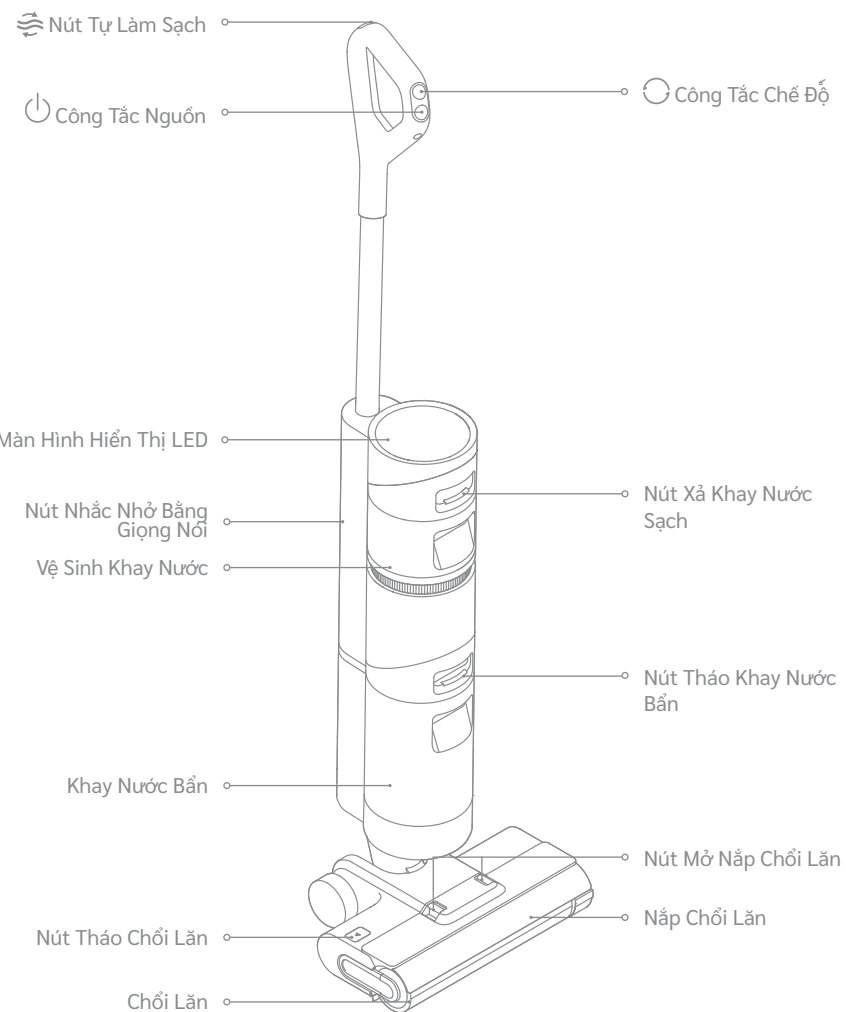


Bộ Sạc Điện

Lưu ý: Hình ảnh trong hướng dẫn này chỉ để tham khảo. Sản phẩm thực tế có thể khác.

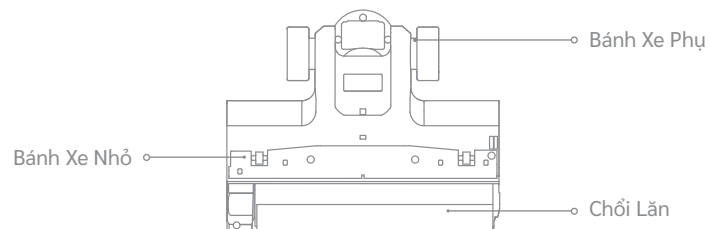
# Tổng Quan Về Sản Phẩm

## Máy Hút Bụi

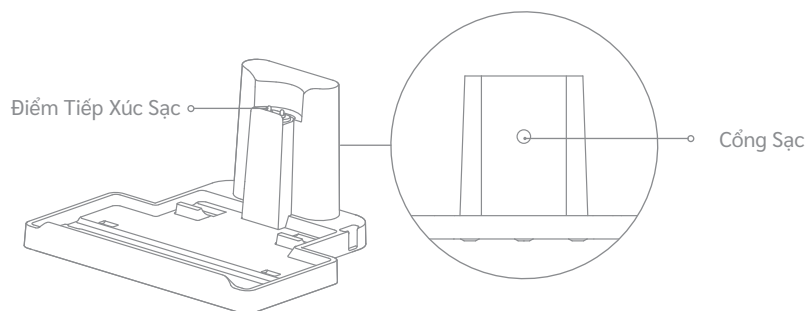


# Tổng Quan Về Sản Phẩm

## Chi Tiết Chổi Lăn

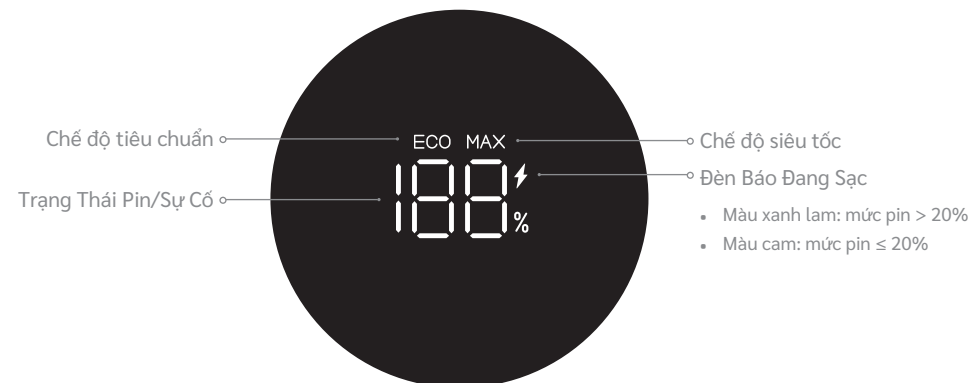


## Đế Sạc

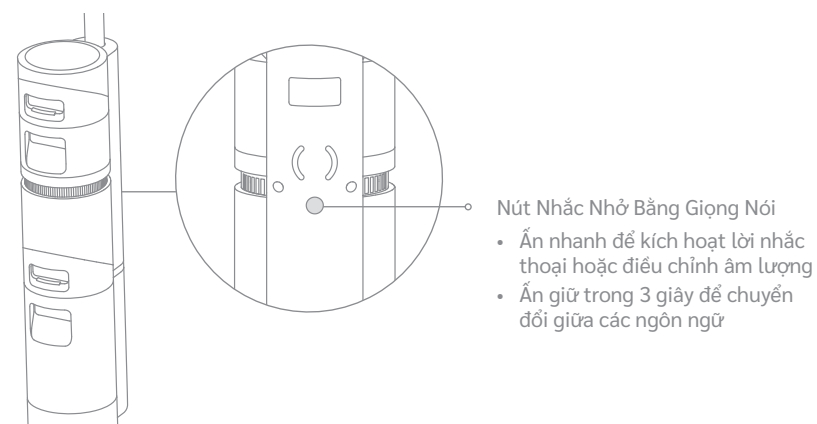


# Tổng Quan Về Sản Phẩm

## Màn Hình Hiển Thị



## Nút Nhắc Nhở Bằng Giọng Nói

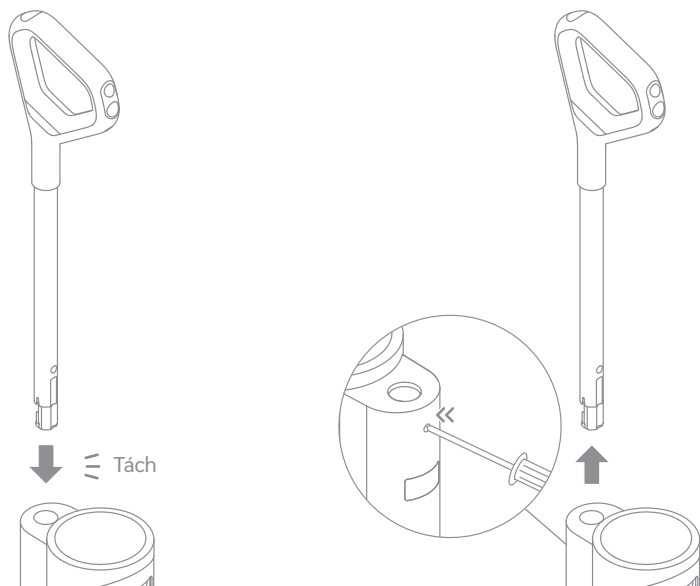


# Lắp Ráp

## Đang lắp Tay Cầm

Chèn đầu cuối của tay cầm theo chiều dọc vào cổng ở phía trên của thiết bị như chỉ dẫn cho đến khi bạn nghe thấy tiếng "tách".

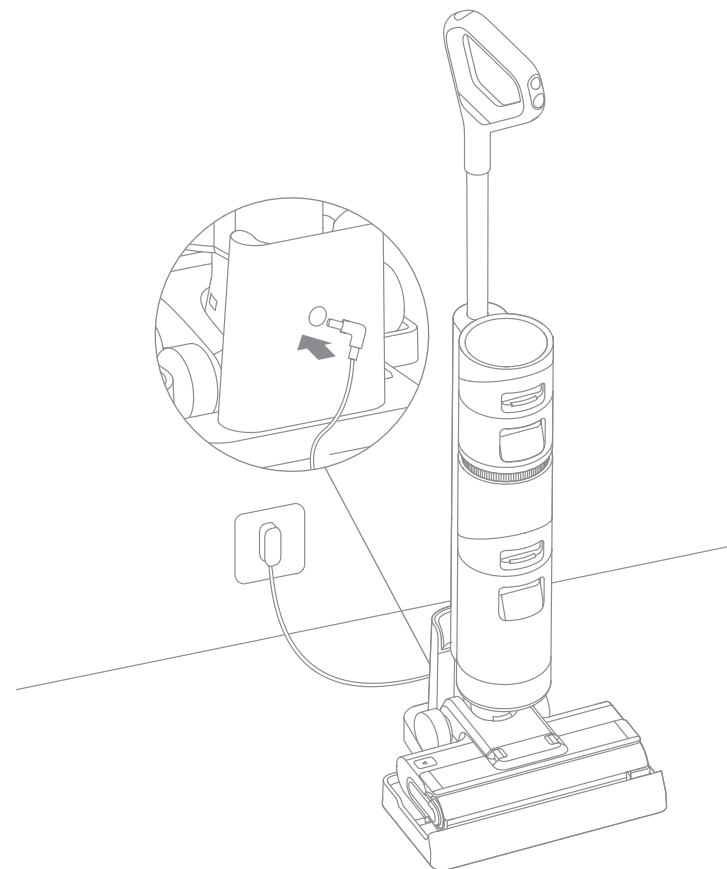
Lưu ý: Để tháo, hãy dùng một vật cứng cho vào lỗ ở mặt sau của thiết bị để ấn tiếp điểm, đồng thời kéo tay cầm lên.



# Sạc Điện

Lưu ý: Vui lòng sạc đầy pin máy hút bụi trước khi sử dụng lần đầu.

1. Đặt đế sạc lên bề mặt bằng phẳng tựa vào tường.
2. Đặt máy hút bụi lên đế sạc, biểu tượng ⚡ trên màn hình sáng lên cho biết trạng thái sạc. Chữ số trên màn hình hiển thị thể hiện phần trăm mức pin hiện tại trong quá trình sạc. Khi chữ số này là 100 tức pin đã được sạc đầy.



Lưu ý:

- Nếu không có thao tác nào được thực hiện trong vòng 5 phút sau khi sạc đầy, máy hút bụi sẽ chuyển sang chế độ ngủ. Vui lòng khởi động lại thiết bị nếu bạn cần sử dụng.
- Để kéo dài thời gian sử dụng, pin sẽ tự động làm mát trong khoảng một giờ sau khi bạn sử dụng thiết bị trong một thời gian dài.

## Cách Sử Dụng

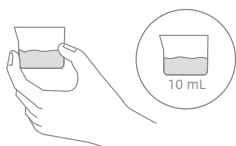
### Châm Nước Cho khay Nước Sạch

Ấn nút tháo khay Nước Sạch để tháo nó ra. Mở nắp khay châm nước sạch vào khay.



### Thêm Dung dịch làm sạch

Để có hiệu quả làm sạch tốt hơn, nên dùng nắp chai cho 10 mL chất tẩy rửa vào Ngăn chứa nước sạch đầy, sau đó lắc nhẹ và đều để sử dụng.

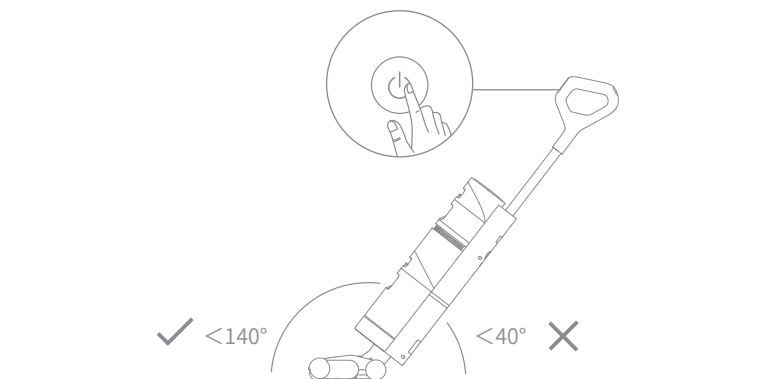


Lưu ý: Không thêm bất kỳ chất lỏng nào khác ngoài chất tẩy rửa được chính thức chấp nhận. Chất tẩy rửa có thể có sẵn trên cửa hàng trực tuyến chính thức.

## Cách Sử Dụng

### Bắt Đầu Làm Sạch

Nhẹ nhàng bước lên nắp chổi và nghiêng thiết bị về phía sau. Ấn công tắc nguồn  để bắt đầu/ dừng hoạt động.

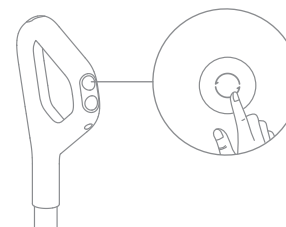


Lưu ý:

- Không dùng máy hút bụi hút chất lỏng có bột.
- Nếu thiết bị ở tư thế thẳng đứng trong khi làm việc, tác vụ hiện tại sẽ bị tạm dừng.
- Thiết bị phù hợp để làm sạch sàn nhà, đá hoa cương, gạch lát và các bề mặt cứng khác.
- Khi thiết bị đang hoạt động, không nhắc thiết bị lên khỏi mặt đất, nghiêng hoặc ngã thiết bị về phía sau quá  $140^\circ$ . Làm như vậy có thể khiến nước đã qua sử dụng tràn vào động cơ.

### Chuyển Đổi Chế Độ

Khi bật thiết bị lên, thiết bị sẽ mặc định hoạt động ở chế độ tiêu chuẩn. Bạn có thể chuyển sang chế độ siêu tốc theo nhu cầu thực tế.



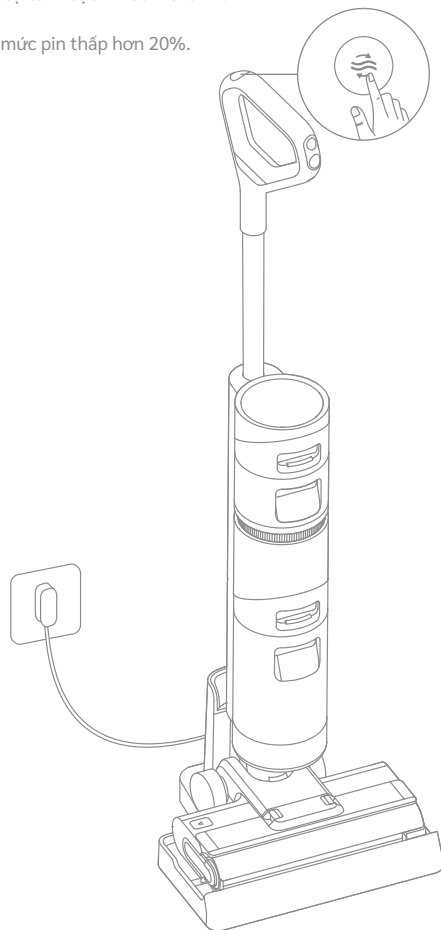
Những điều cần lưu ý:

- Tắt thiết bị trước khi bảo dưỡng. Không chạm vào công tắc nguồn.
- Thay thế phụ kiện nếu cần. Phải thay thế bằng các bộ phận có sẵn từ nhà sản xuất hoặc đại lý dịch vụ của nhà sản xuất.
- Nếu không sử dụng thiết bị trong thời gian dài, hãy sạc đầy, rút phích cắm bộ sạc và bảo quản trong môi trường mát mẻ, có độ ẩm thấp, tránh ánh nắng trực tiếp. Sạc thiết bị ít nhất một lần mỗi 3 tháng để tránh xả pin quá mức.

## Tự Làm Sạch Bằng Một Cú Nhấn

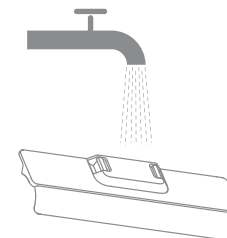
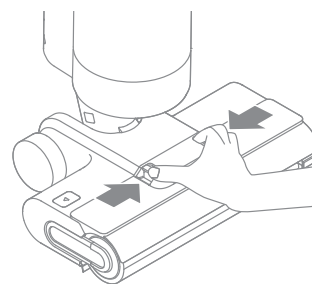
1. Đặt thiết bị trở lại để sau khi làm sạch xong.
2. Ấn nhanh nút tự làm sạch trên đầu tay cầm để bắt đầu/dừng tự làm sạch.
3. Đổ Khay Nước Bẩn sau khi quá trình tự làm sạch hoàn thành.

Lưu ý: Không thể kích hoạt tự làm sạch nếu mức pin thấp hơn 20%.

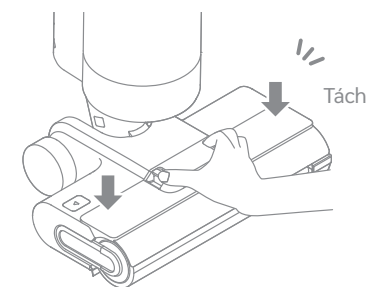
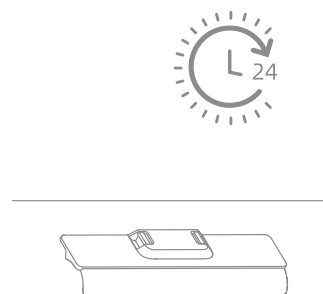


## Vệ Sinh Nắp Chổi

1. Ấn nút mở nắp chổi lăn ở hai bên vào trong để tháo nắp chổi lăn.

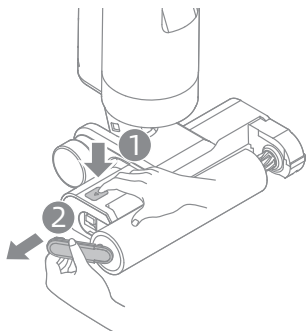


2. Nắp chổi có thể được rửa bằng nước sạch hoặc lau bằng khăn lau bát đĩa. Phơi khô nó hoàn toàn trước khi sử dụng lại.



### Vệ Sinh Chối Lăn

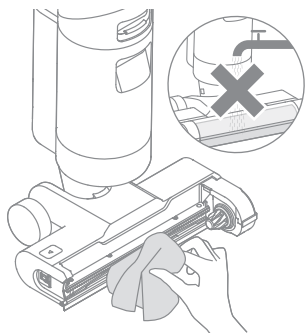
1. Ấn nút tháo chốt lăn sau đó tay cầm chốt lăn sẽ bật ra. Kéo tay cầm để lấy chốt lăn ra.



2. Làm sạch tóc và các mảnh vụn bám trên con lăn bàn chải. Rửa con lăn bàn chải bằng nước sạch và lau khô hoàn toàn.

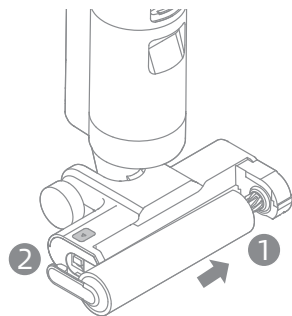


3. Dùng vải khô hoặc khăn giấy lau sạch miệng hút.



Cảnh báo: Để giảm nguy cơ điện giật hoặc thương tích, Không rửa cụm chi tiết chốt lăn bằng nước!

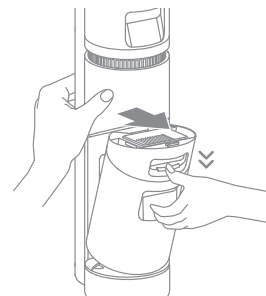
4. Lắp lại chốt lăn cho đến khi bạn nghe thấy tiếng tách.



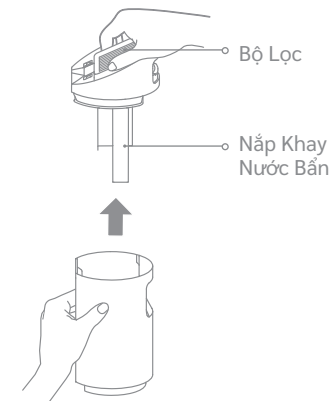
Lưu ý: Vệ sinh khi cần thiết. Nên thay con lăn bàn chải từ 3 đến 6 tháng mỗi lần.

### Vệ sinh Khay Nước Bắn và Bộ Lọc

1. Ấn nút tháo khay nước bắn và tháo nó ra.



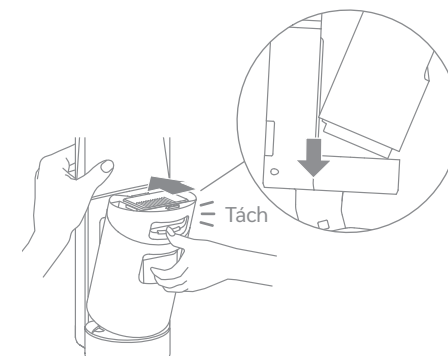
2. Lấy bộ lọc ra khỏi nắp khay nước bắn. Tháo nắp khay và đổ nước bắn ra ngoài.

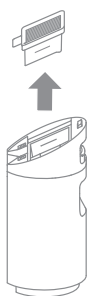


3. Dùng nước sạch rửa khay nước bắn và nắp của nó. Sử dụng bàn chải làm sạch đi kèm để vệ sinh thành bên trong của khay.



4. Đóng nắp khay nước bắn, lắp lại khay nước bắn và đảm bảo nó khớp vào vị trí.



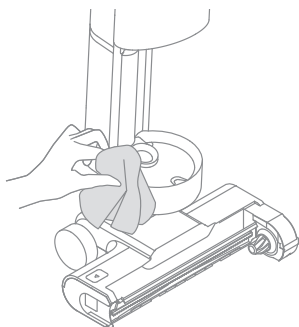


Lưu ý:

- Khi bộ lọc bị bẩn và cần rửa, hãy rửa nó bằng nước sạch. Bộ lọc phải khô hoàn toàn trước khi sử dụng.
- Nên thay bộ lọc mỗi 3 đến 6 tháng sử dụng.

### Làm sạch Ống

Tháo ngăn chứa nước đã qua sử dụng. Lau ống bằng vải ướt trước khi sử dụng.



Lỗi	Nguyên Nhân Có Thể	Biện Pháp Xử Lý
Thiết bị không làm việc.	Thiết bị hết pin hoặc mức pin thấp.	Sạc đầy pin trước khi sử dụng.
	Thiết bị hết pin hoặc mức pin thấp.	Nghiêng thiết bị về phía sau.
	Chế độ bảo vệ quá nhiệt được kích hoạt do tắc nghẽn.	Vệ sinh tất cả vật gây tắc nghẽn và đợi cho đến khi nhiệt độ trở lại bình thường.
	Khay Nước Bắn đã đầy.	Đổ Khay Nước Bắn.
	Khay Nước Sạch không có nước.	Châm nước cho Khay Nước Sạch.
	Các bộ phận không được lắp đặt đúng vị trí.	Đảm bảo tất cả các bộ phận đều ở đúng vị trí.
Thiết bị sạc chậm.	Nhiệt độ pin quá thấp hoặc quá cao.	Chờ cho đến khi nhiệt độ pin trở lại bình thường.
Công suất hút của thiết bị yếu.	Bộ lọc chưa được lắp đúng cách.	Đảm bảo bộ lọc được lắp đúng cách.
	Bộ lọc bị nghẹt.	Vệ sinh Bộ Lọc
	Miệng hút bị tắc do vật lạ.	Vệ sinh đường ống và miệng hút.
Động cơ điện phát ra tiếng ồn lạ.	Khay Nước Bắn có quá nhiều nước bắn.	Đổ Khay Nước Bắn.
	Miệng hút bị tắc.	Làm sạch tất cả dị vật bên trong miệng hút.
Màn hình hiển thị không sáng khi sạc.	Phích cắm bộ chuyển đổi nguồn bị cắm vào ổ điện không đúng cách.	Đảm bảo rằng phích cắm bộ chuyển đổi nguồn được cắm đúng vị trí.
	Thiết bị chưa được đặt lên đế sạc đúng cách.	Đảm bảo thiết bị được đặt lên đế sạc đúng cách.

Lỗi	Nguyên Nhân Có Thể	Biện Pháp Xử Lý
Không có nước chảy ra từ thiết bị.	Khay Nước Sạch chưa được lắp đúng cách hoặc không đủ nước trong Khay Nước Sạch.	Lắp lại hoặc châm thêm nước cho Khay Nước Sạch.
	Mất khoảng 30 giây để làm ấm chổi lăn.	Bật thiết bị và kiểm tra lại trong 30 giây.
Lỗ thông hơi bị rò rỉ nước.	Nhấc thiết bị lên khỏi mặt đất, nghiêng hoặc ngả thiết bị về phía sau hơn 140°.	Kéo nhẹ thiết bị qua lại trong khi bật thiết bị.
	Bộ lọc chưa khô hoàn toàn sau khi vệ sinh.	Phơi khô bộ lọc hoàn toàn trước khi sử dụng.
Tự làm sạch thất bại.	Chổi lăn có thể bị kẹt bởi các mảnh vụn lớn.	Mở nắp chổi để kiểm tra và vệ sinh chổi lăn.
	Thiết bị chưa được đặt lên đế sạc đúng cách.	Đảm bảo thiết bị được sạc trước khi kích hoạt chức năng tự làm sạch.
	Chức năng kích hoạt chức năng tự làm sạch khi thiết bị được sạc và mức pin còn trên 20%.	Chỉ có thể kích hoạt chức năng tự làm sạch khi thiết bị được sạc và mức pin còn trên 20%.
	Khay Nước Bẩn chưa được lắp đúng cách hoặc Khay Nước Bẩn đã đầy.	Lắp lại Khay Nước Bẩn hoặc đổ sạch nước trong khay.
	Khay Nước Sạch chưa được lắp đúng cách hoặc không đủ nước trong Khay Nước Sạch.	Lắp lại hoặc châm thêm nước cho Khay Nước Sạch.

Nếu thiết bị không hoạt động bình thường, màn hình sẽ hiển thị thông báo sự cố. Vui lòng tham khảo bảng khắc phục sự cố để tìm cách giải quyết.

Mã Lỗi	Nguyên Nhân Có Thể	Biện Pháp Xử Lý
E1/EE/EF	Lỗi động cơ	Vui lòng liên hệ bộ phận chăm sóc khách hàng.
E2/E3/E7/E8/E9	Sự cố pin	Vui lòng liên hệ bộ phận chăm sóc khách hàng.
E4/E5	Bộ chuyển đổi nguồn không tương thích	Vui lòng sử dụng bộ chuyển đổi nguồn gốc. Nếu sự cố vẫn còn, hãy liên hệ với dịch vụ khách hàng.
E6	Pin quá nóng	Chờ cho đến khi nhiệt độ pin trở lại bình thường, sau đó tiếp tục sử dụng.

Để được hỗ trợ thêm, vui lòng liên hệ với chúng tôi qua [aftersales@dreame.tech](mailto:aftersales@dreame.tech) hoặc <https://global.dreame.tech>

<b>Máy hút bụi</b>			
Model	HHR21A	Thời Gian Sạc	Khoảng 4,5 giờ
Điện Áp Định Mức	21,6 V ===	Công Suất Sạc	26 V ===
Công Suất Định Mức	170 W	Dung Lượng Định Mức	2300 mAh
Dung Lượng Danh Nghĩa	2500 mAh	Dung Tích Khay Nước Bẩn	500 mL
Dung Tích Khay Nước Sạch	900 mL		
<b>Bộ Sạc Điện</b>			
Model	YLS0251B-E260090	Hiệu Suất Hoạt Động Trung Bình	87,28%
Đầu Vào	100-240V~ 50/60Hz 0,8 A Max	Hiệu Suất ở Tải Thấp (10%)	79,74%
Đầu Ra	26 V === 0,9 A	Mức Tiêu Thụ Điện Khi Chạy Không Tải	0,08 W

## Tháo Bỏ và Xử Lý Pin

Pin lithium-ion tích hợp chứa các chất độc gây hại cho môi trường. Trước khi loại bỏ pin, vui lòng đảm bảo pin được tháo bởi kỹ thuật viên có trình độ chuyên môn và loại bỏ tại cơ sở tái chế thích hợp.

- Phải tháo pin ra khỏi thiết bị trước khi loại bỏ;
- Phải tắt thiết bị trong quá trình tháo pin;
- Pin phải được xử lý một cách an toàn.

### LƯU Ý:

- Trước khi tháo pin, hãy ngắt nguồn điện và xả hết pin tối đa có thể.
- Pin không dùng phải được loại bỏ tại một cơ sở tái chế thích hợp.
- Không để pin tiếp xúc với môi trường nhiệt độ cao để tránh nguy cơ cháy nổ.
- Trong tình huống bị vỡ, chất lỏng có thể bị chảy ra khỏi pin. Nếu xảy ra tiếp xúc, hãy rửa sạch bằng nước và tìm kiếm trợ giúp y tế.

### Hướng Dẫn Tháo Bỏ

1. Tháo tay cầm, vòng trang trí và phích cắm vít ở giữa thiết bị.
2. Dùng dụng cụ thích hợp để tháo vít ở mặt sau của thiết bị, sau đó tháo vỏ mặt sau.
3. Tháo vít trên nắp pin để mở nắp pin.
4. Rút phích cắm giữa cực pin và bảng mạch PCB để tháo pin.

- The word "dreame" is the abbreviation of Dreame Technology Co., Ltd. and its subsidiaries in China. It is the transliteration of the company's Chinese name "追觅", which means striving for excellence in every endeavor and reflects the company's vision of continuous pursuit, exploration and search in technology.
- Das Wort "dreame" ist die Abkürzung von Dreame Technology Co., Ltd. und seinen Tochterunternehmen in China. Es ist die Transliteration des chinesischen Namens "追觅" dieser Firma, was für das Streben nach Vollendung steht und die Vision des Unternehmens widerspiegelt, nämlich im Bereich der Technologie unaufhaltsam weiterzustreben, zu erforschen und entdecken.
- Dreame est l'abréviation de l'entreprise chinoise Dreame Technology Co., Ltd. et ses filiales, qui est la traduction phonétique du nom chinois de l'entreprise « 追觅 », reflétant la vision de l'entreprise qui consiste à poursuivre, explorer et rechercher constamment les avancées technologiques.
- La parola "dreame" è l'abbreviazione dell'azienda Dreame Technology Co., Ltd. e delle sue filiali in Cina. È la traslitterazione del nome cinese dell'azienda "追觅", che dimostra la continua ricerca, esplorazione e visione di ricerca dell'azienda nella tecnologia.
- La palabra "dreame" es la abreviatura de Dreame Technology Co., Ltd. y sus subsidiarias en China. Es la transliteración del nombre chino de "追觅", que significa luchar por la excelencia en cada esfuerzo y refleja la visión de la compañía de continuamente buscar, explorar e investigar en tecnologías.
- Dreame – сокращённое название китайской компании Dreame Technology Co., Ltd. и ее дочерних предприятий. Dreame является транслитерацией названия компании на китайском языке « 追觅 », в котором отражено корпоративное видение компании в сфере науки и технологий — непрерывный поиск, исследования и стремление к успеху.
- Het woord "dreame" is de afkorting van Dreame Technology Co., Ltd. en zijn dochterondernemingen in China. Het is de transliteratie van de Chinese naam van het bedrijf "追觅", wat betekent streven naar uitmuntendheid in elke inspanning en weerspiegelt de visie van het bedrijf van continue streven, verkennen en zoeken in technologie.
- Dreame – қытайлық Dreame Technology Co., Ltd. компаниясының қысқартылған атауы және оның еншілес кәсіпорындары болып табылады. Dreame бұл қытай тіліндегі компания атауының транслитерациясы, онда компанияның ғылым мен технология саласындағы корпоративтік көзқарасы – үздіксіз іздеу, зерттеу және табысқа ұмтылу бейнеленген.
- คำว่า "dreame" เป็นชื่อย่อของ Dreame Technology Co., Ltd. และบริษัทย่อยในประเทศไทย เป็นคำทับศัพท์ของ "追觅" ชื่อภาษาจีนของบริษัท ซึ่งหมายถึงมีความพยายามมุ่งมั่นเพื่อสร้างความเป็นเลิศ และสะท้อนให้เห็นถึงวิสัยทัศน์ของบริษัทในการแสวงหา การพัฒนา และการค้นคว้าทางด้านเทคโนโลยีอย่างต่อเนื่อง
- Dreame" là từ viết tắt của Dreame Technology Co., Ltd. và các công ty con của nó tại Trung Quốc. Đây là phiên âm từ tên tiếng Trung của công ty "追觅", với ý nghĩa luôn nỗ lực để đạt được sự xuất sắc, đồng thời phản ánh tầm nhìn của công ty về việc không ngừng theo đuổi, khám phá và tìm kiếm trong lĩnh vực công nghệ.



Website: <https://global.dreametech.com>  
 Manufactured by: Dreame Trading (Tianjin) Co., Ltd.  
 Made in China

05/2024

HHR21A-EU-A01

