



Spare parts drawing - list

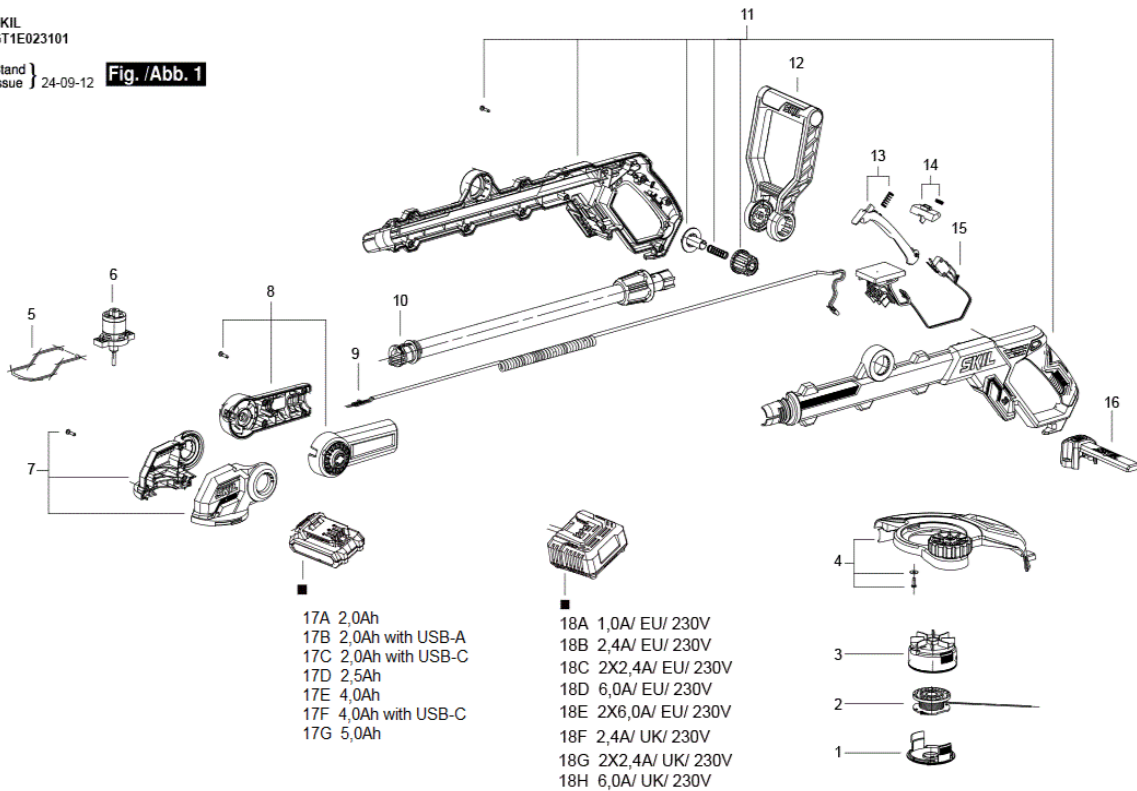
Modelnumber: GT1E023101

EU / 20V - BRUSHLESS MOTOR" Cordless line trimmer

SKIL
GT1E023101

Stand }
Issue } 24-09-12

Fig. /Abb. 1



- 17A 2,0Ah
- 17B 2,0Ah with USB-A
- 17C 2,0Ah with USB-C
- 17D 2,5Ah
- 17E 4,0Ah
- 17F 4,0Ah with USB-C
- 17G 5,0Ah

- 18A 1,0A/ EU/ 230V
- 18B 2,4A/ EU/ 230V
- 18C 2X2,4A/ EU/ 230V
- 18D 6,0A/ EU/ 230V
- 18E 2X6,0A/ EU/ 230V
- 18F 2,4A/ UK/ 230V
- 18G 2X2,4A/ UK/ 230V
- 18H 6,0A/ UK/ 230V

- 1
- 2
- 3
- 4

Änderungen vorbehalten
Modifications reserved
Modifications réservées
Salvo modificaciones

Pos.	Spare part number	Description	QTY
1	3136683001	Spool cover	1
2	2852182001	Coil Assembly	1
3	2852039001	Coil Hub	1
4	2852243001	Protective Cover 25cm parts set	1
5	3650386001	Holder Wire	1
6	2852248001	Drive Unit Parts Set	1
7	2852244001	Housing Parts Set	1
8	2852241001	Pivot Parts Set	1
9	2852246001	Cable Parts Set	1
10	2852240001	Tube Parts Set	1
11	2852242001	Handle parts set	1
12	3136351001	Auxiliary Handle	1
13	2852227001	Switch Trigger Parts Set	1
14	2852228001	Button Parts Set	1
15	2852247001	Switch Parts Set	1
16	3130974001	Hook	1
17A	BR1E310701	Battery 20V MAX 2,0Ah (Keepcool) Li-ion	1
17B	BR1E313001	Battery 20V MAX 2,0Ah (Keepcool) Li-ion with USB-A	1
17C	BR1E314201	Battery 20V MAX 2,0Ah (Keepcool) Li-ion with USB-C	1

17D	BR1E310201	Battery 20V MAX 2,5Ah (Keepcool) Li-ion	1
17E	BR1E310401	Battery 20V MAX 4,0Ah (Keepcool) Li-ion	1
17F	BR1E314401	Battery 20V MAX 4,0Ah (Keepcool) Li-ion with USB-C	1
17G	BR1E310501	Battery 20V MAX 5,0Ah (Keepcool) Li-ion	1
18A	CR1E312901	Charger EU 230V/20V 1,0A	1
18B	CR1E312201	Charger EU 230V/20V 2,4A	1
18C	CR1E312801	Dual charger EU 230V/20V 2x2,4A	1
18D	CR1E312301	Charger EU 230V/20V 6,0A	1
18E	CR1E313201	Dual charger EU 230V/20V 2x6,0A	1
18F	CR1U312203	Charger UK 230V/20V 2,4A	1
18G	CR1U312803	Dual charger UK 230V/20V 2x2,4A	1
18H	CR1U312303	Charger UK 230V/20V 6,0A	1