



## Spare parts drawing - list

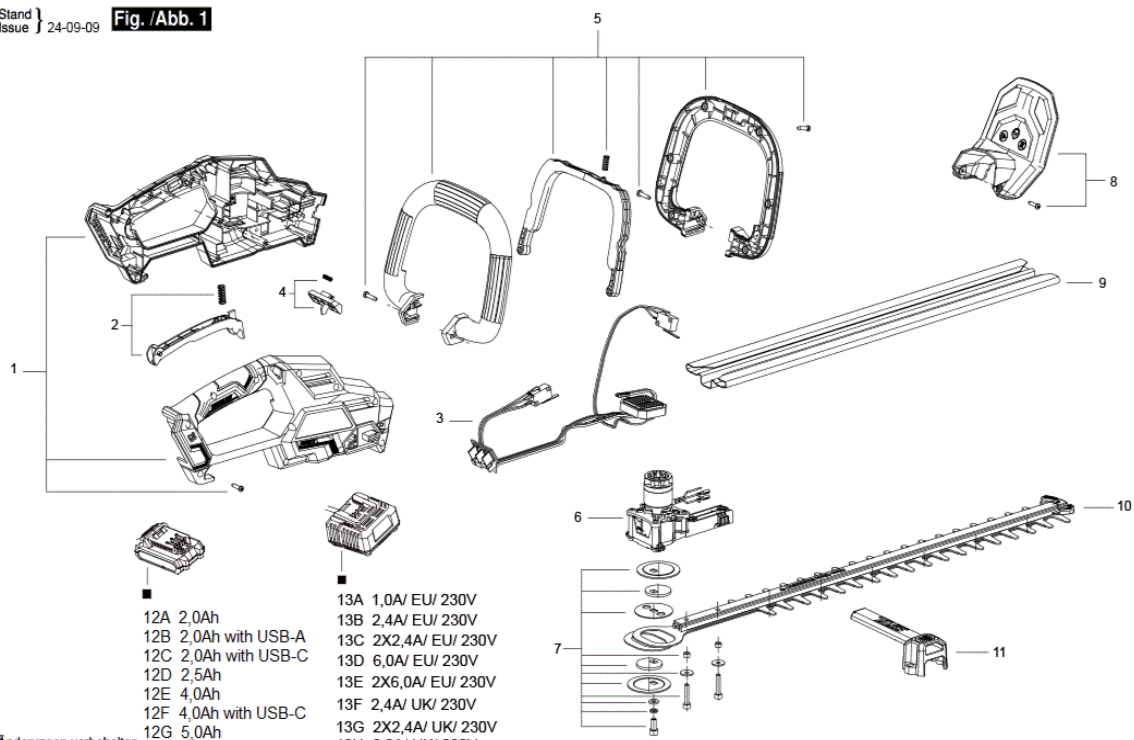
Modelnumber: GH1E043801

EU / 20V - "BRUSHLESS MOTOR" Cordless hedge cutter

SKIL  
GH1E043801

Stand }  
Issue } 24-09-09

Fig. /Abb. 1



12A 2,0Ah  
12B 2,0Ah with USB-A  
12C 2,0Ah with USB-C  
12D 2,5Ah  
12E 4,0Ah  
12F 4,0Ah with USB-C  
12G 5,0Ah

13A 1,0A/ EU/ 230V  
13B 2,4A/ EU/ 230V  
13C 2X2,4A/ EU/ 230V  
13D 6,0A/ EU/ 230V  
13E 2X6,0A/ EU/ 230V  
13F 2,4A/ UK/ 230V  
13G 2X2,4A/ UK/ 230V  
13H 6,0A/ UK/ 230V

Änderungen vorbehalten  
Modifications reserved  
Modifications réservées  
Salvo modificaciones

Pos.	Spare part number	Description	QTY
1	2852210001	Housing Parts Set	1
2	2852227001	Switch Trigger Parts Set	1
3	2852236001	Switch Electronic Module Parts Set	1
4	2852228001	Button Parts Set	1
5	2852192001	Handle parts set	1
6	2852160001	DC motor 20V Parts Set	1
7	2852239001	Eccentric Parts Set	1
8	2852161001	Protective Shield	1
9	3136464001	Protective Sleeve	1
10	2851874001	Blade Parts Set	1
11	3130974001	Hook	1
12A	BR1E310701	Battery 20V MAX 2,0Ah (Keepcool) Li-ion	1
12B	BR1E313001	Battery 20V MAX 2,0Ah (Keepcool) Li-ion with USB-A	1
12C	BR1E314201	Battery 20V MAX 2,0Ah (Keepcool) Li-ion with USB-C	1
12D	BR1E310201	Battery 20V MAX 2,5Ah (Keepcool) Li-ion	1
12E	BR1E310401	Battery 20V MAX 4,0Ah (Keepcool) Li-ion	1
12F	BR1E314401	Battery 20V MAX 4,0Ah (Keepcool) Li-ion with USB-C	1
12G	BR1E310501	Battery 20V MAX 5,0Ah (Keepcool) Li-ion	1
13A	CR1E312901	Charger EU 230V/20V 1,0A	1

13B	CR1E312201	Charger EU 230V/20V 2,4A	1
13C	CR1E312801	Dual charger EU 230V/20V 2x2,4A	1
13D	CR1E312301	Charger EU 230V/20V 6,0A	1
13E	CR1E313201	Dual charger EU 230V/20V 2x6,0A	1
13F	CR1U312203	Charger UK 230V/20V 2,4A	1
13G	CR1U312803	Dual charger UK 230V/20V 2x2,4A	1
13H	CR1U312303	Charger UK 230V/20V 6,0A	1