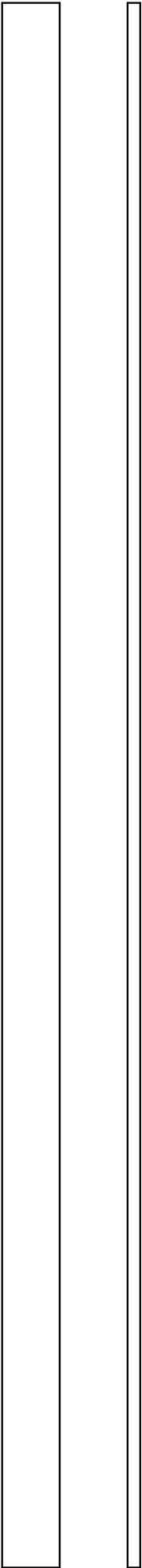
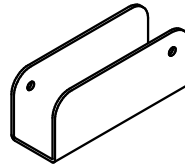
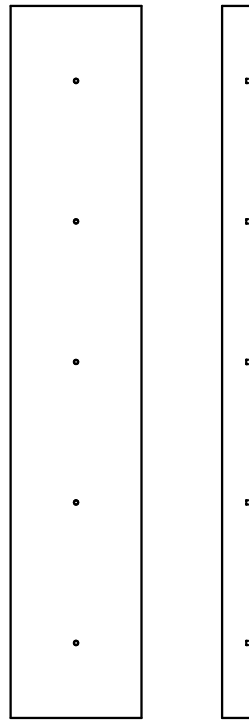


a - 5/10 pcs



b - 2 pcs



c - 10/20 pcs.



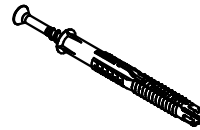
d - 10/20 pcs.

4 x 20

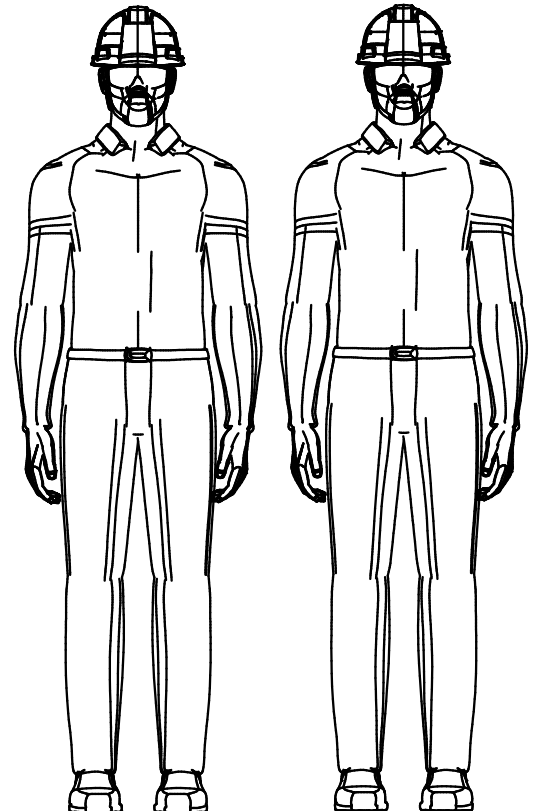
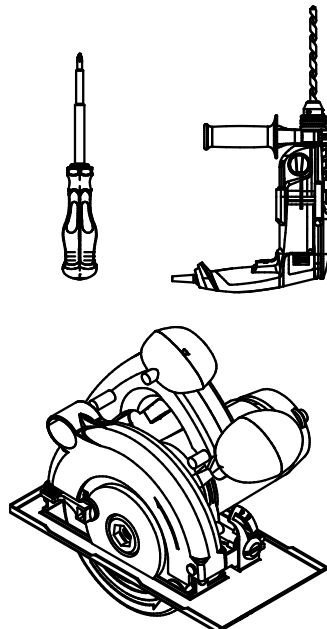


e - 20/40 pcs.

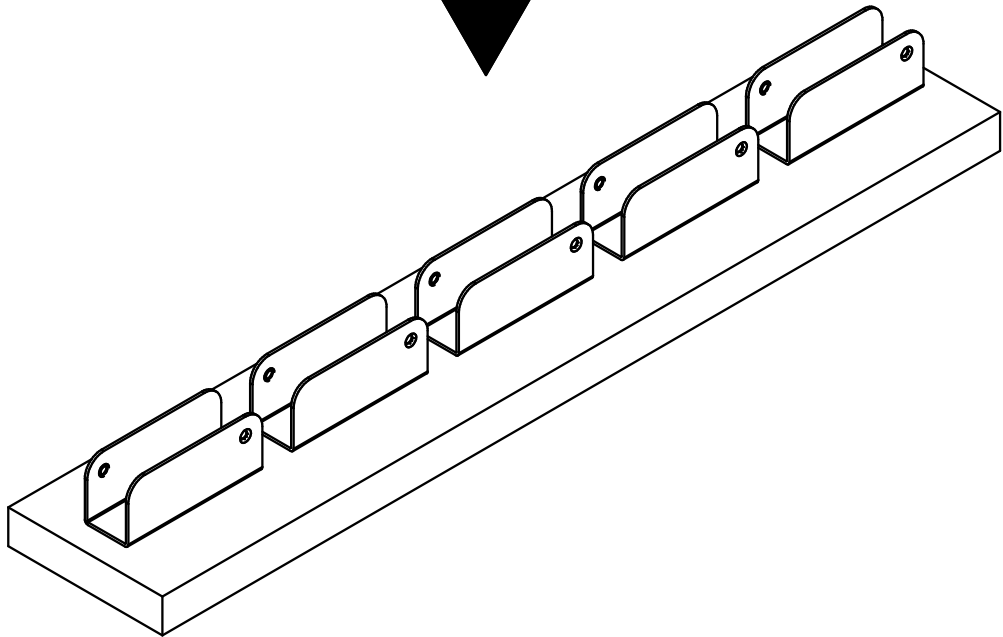
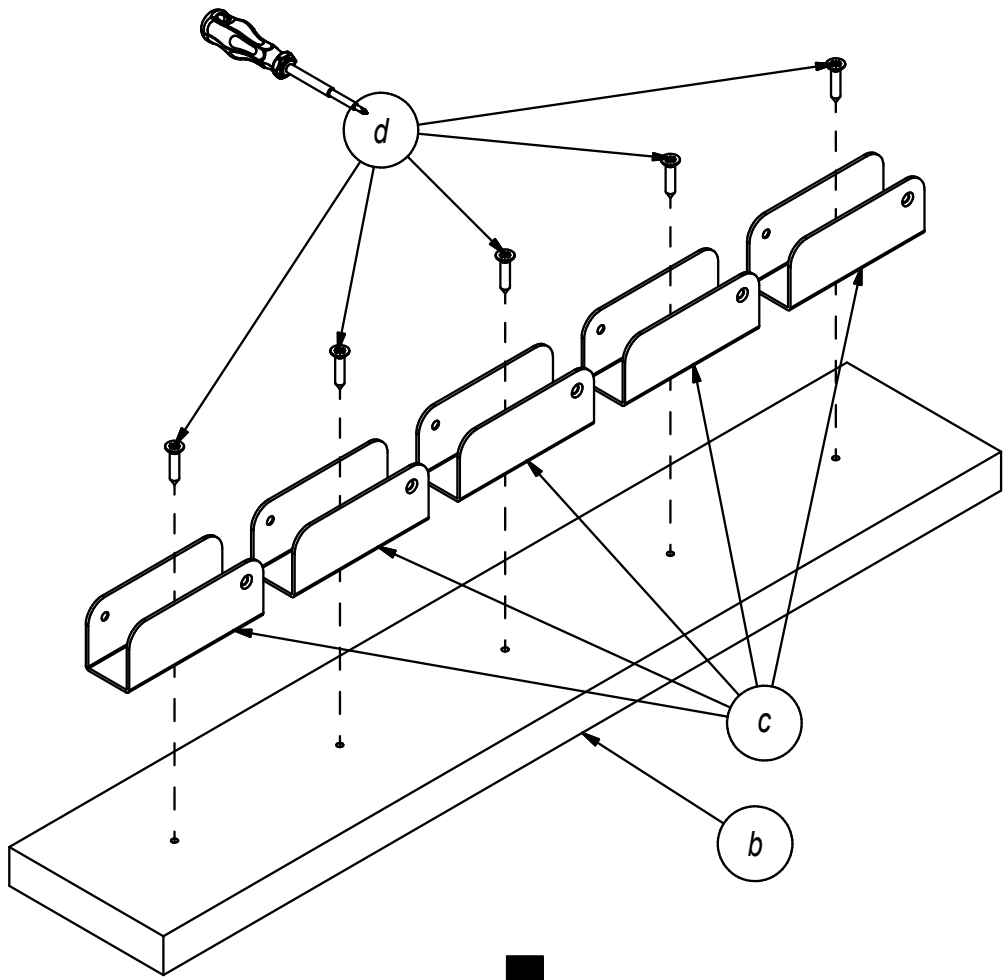
4 x 16



-



1

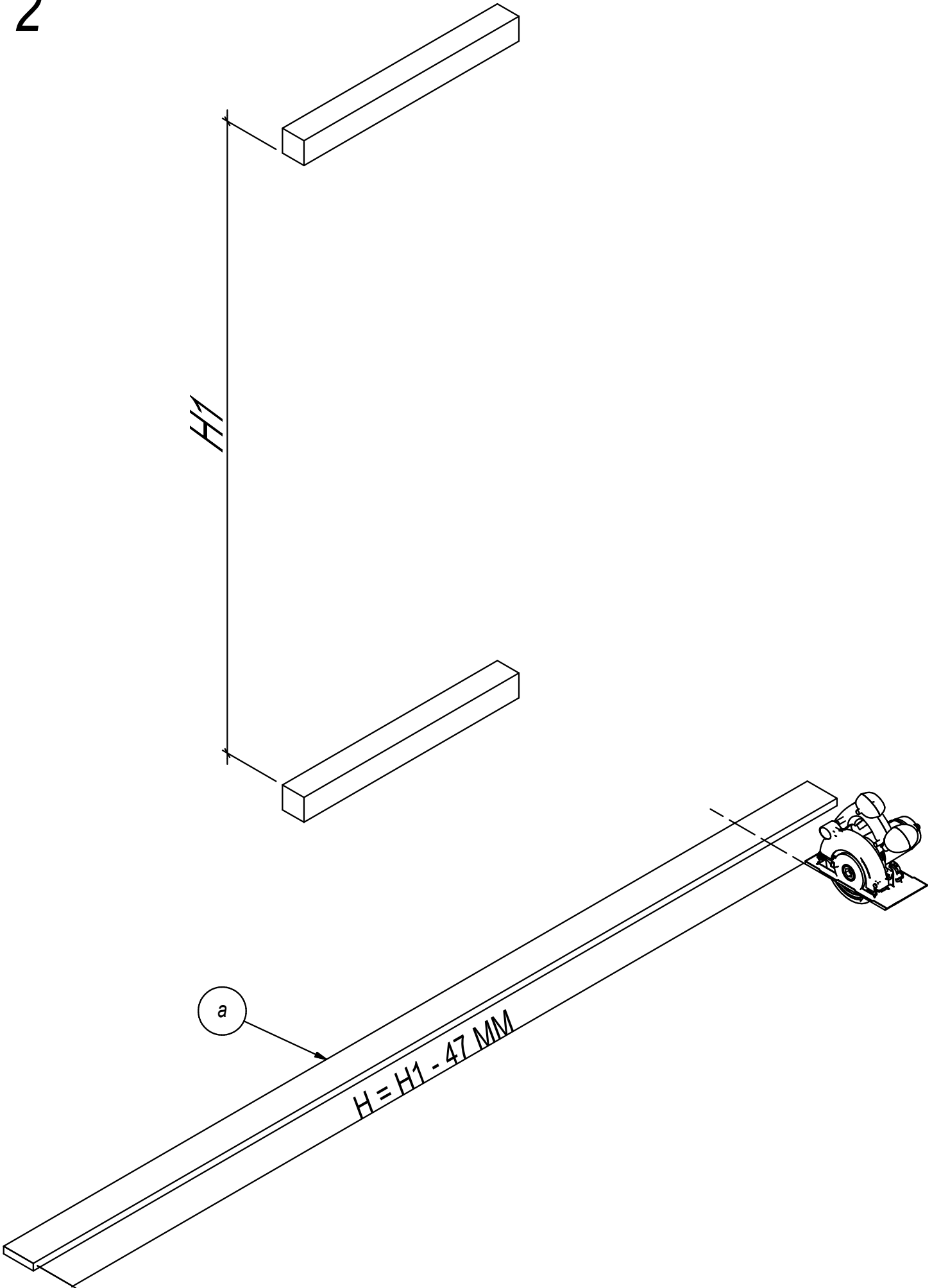


2

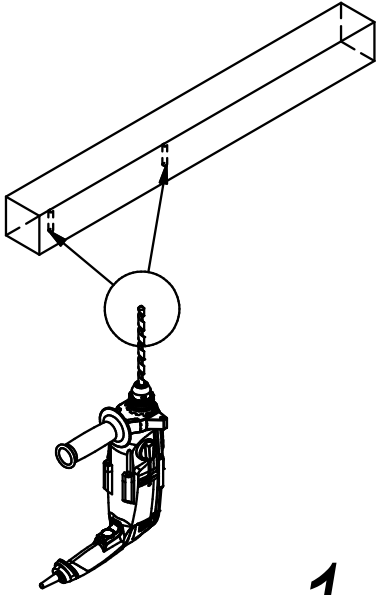
$H1$

$H = H1 - 47 \text{ MM}$

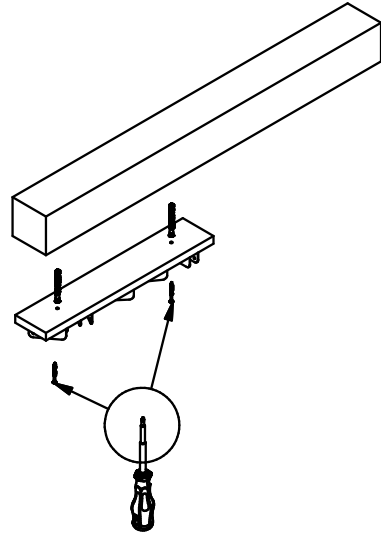
a



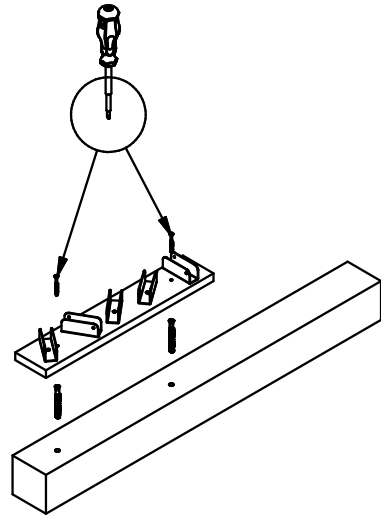
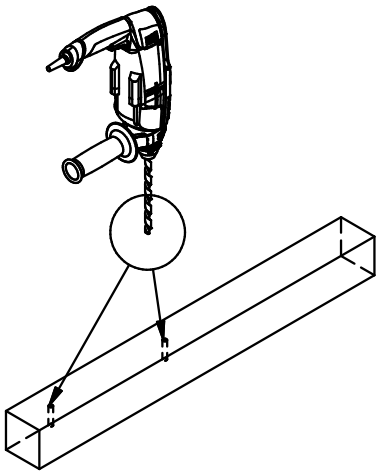
3



1



2



4

