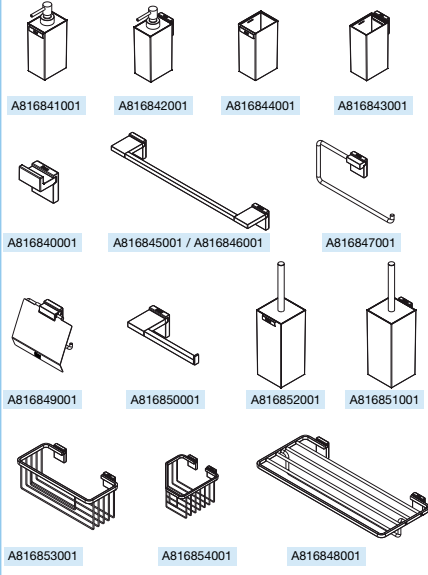


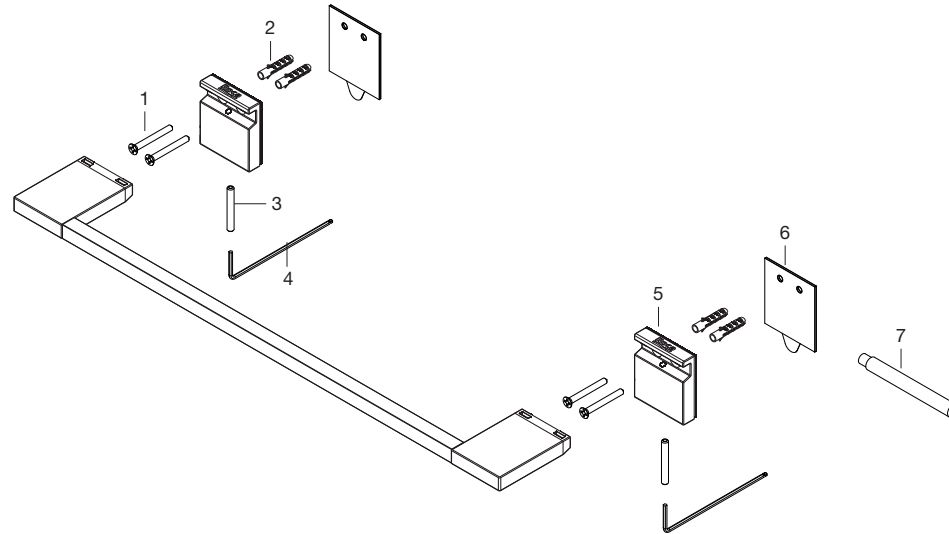
MODELOS DE PRODUCTO ACABADO

Models of end product



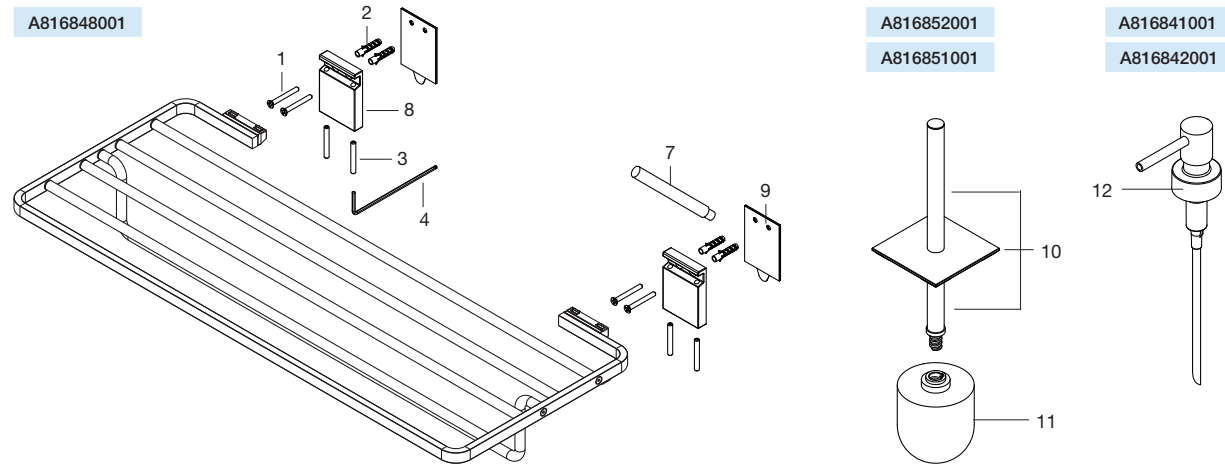
RECAMBIOS COMUNES

Common spare parts



RECAMBIOS ESPECÍFICOS

Specific spare parts



| | | |
|----|-----|------------|
| 1 | x 2 | |
| 2 | x 2 | AA0001600R |
| 3 | x 2 | |
| 4 | | |
| 6 | | AA0001700R |
| 7 | | |
| 8 | | AA0002300R |
| 1 | x 2 | |
| 2 | x 2 | |
| 3 | x 2 | |
| 9 | | AA0001800R |
| 7 | | |
| 10 | | AA0002000R |
| 11 | | |
| 11 | | AA0001900R |
| 12 | | AA0002100R |

PRODUCTO ACABADO COMPATIBLE

Compatible end product

| | | |
|---|-----|------------|
| 5 | | |
| 1 | x 2 | A816840001 |
| 2 | x 2 | |
| 3 | x 2 | |
| 4 | | |

