



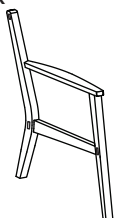
15 min



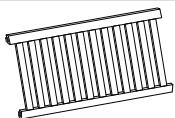
# AUFBAUANLEITUNG

a

(1)=2X



(2)=1X



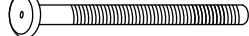
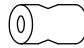


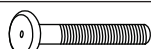

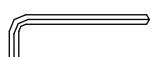
(3)=1X

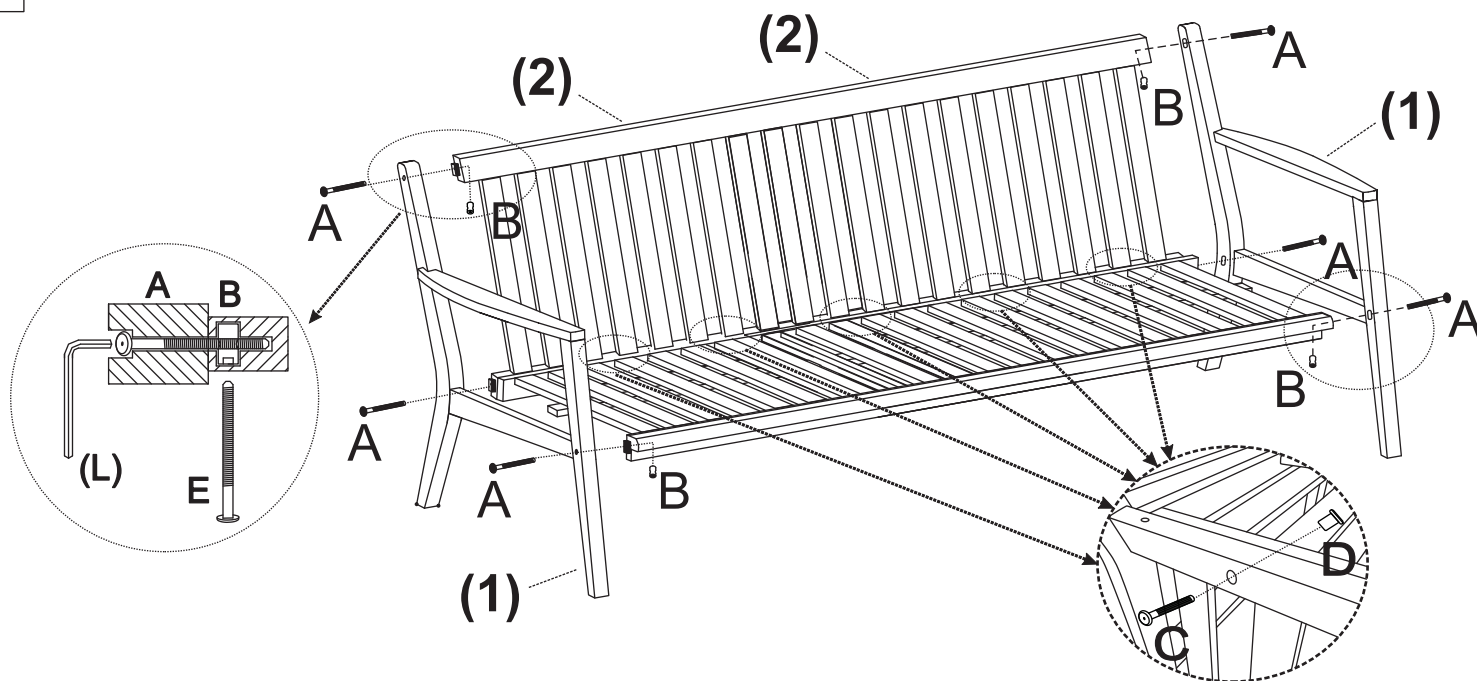


(4)=2X

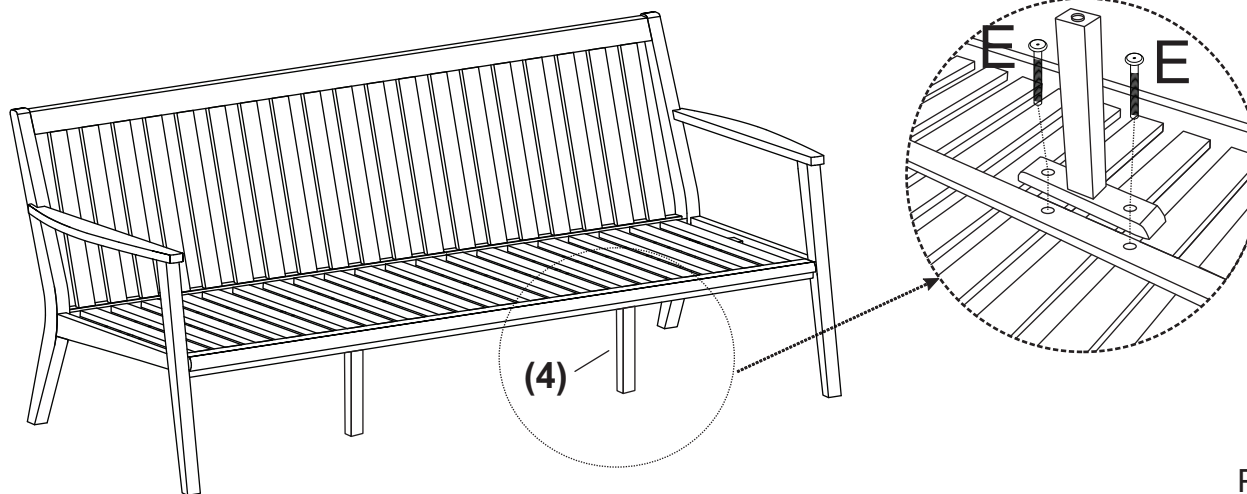


## TEILELISTE

|          |  |    |
|----------|--|----|
| <b>A</b> | <br>M6x70mm   | 6X |
| <b>B</b> | <br>M6x13mm   | 6X |
| <b>C</b> | <br>M6x35mm | 5X |
| <b>D</b> | <br>M6x18mm | 5X |
| <b>E</b> | <br>M6x35mm | 4X |
| <b>F</b> | <br>M6x50mm | 1X |
| <b>L</b> | <br>M6x50mm | 2X |



b



# KATHRIN 3ER LOUNGESOFA 190 X 81 X 75CM SUNFUN

**Art.: 28601982**

Length: **190** cm      N.W.: **32,0** kg

Width: **81** cm      G.W.: **37,0** kg

Height: **75** cm

**BAHAG AG**

Gutenbergstr. 21  
68167 Mannheim  
Germany

service@bauhaus.info



**VNM Made**