

BATAVIA

# MAXX<sup>®</sup>PACK 18 V

## Compact Twin brush Cordless power scrubber

Akku-Power-Scrubber

Brosse motorisée sans fil

Accu power-scrubber

Spazzola rotante a batteria

Cepillo rotativo de limpieza de batería

Escova de Limpeza a bateria

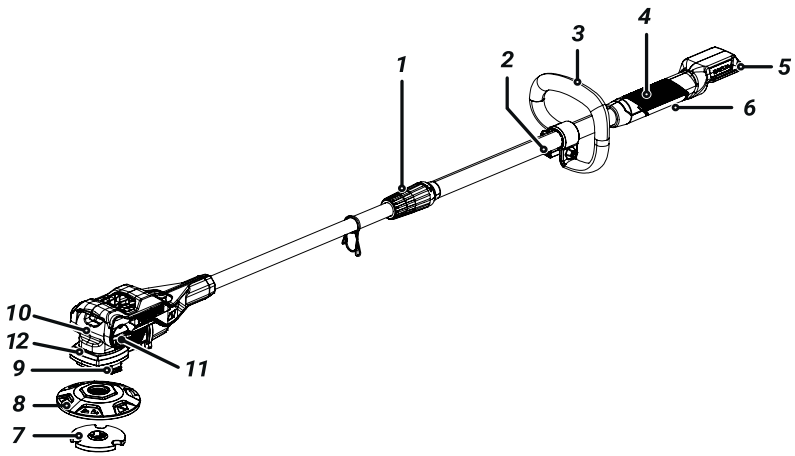
Bezprzewodowa Elektryczna szczotka

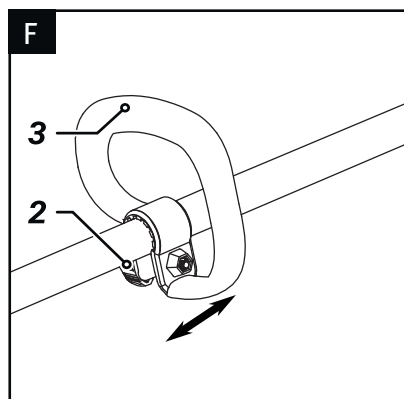
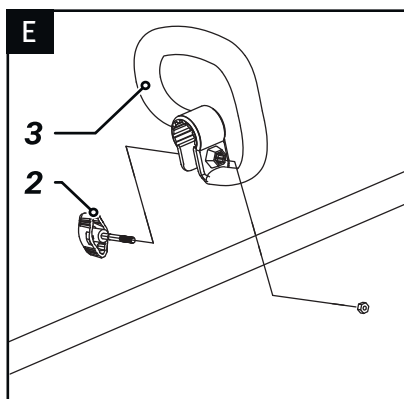
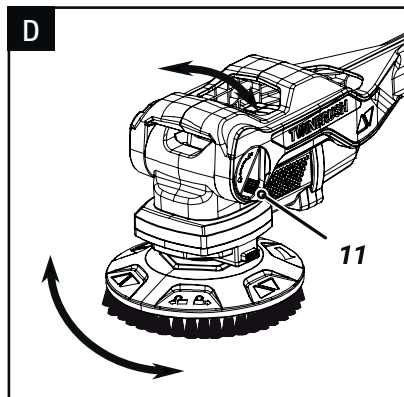
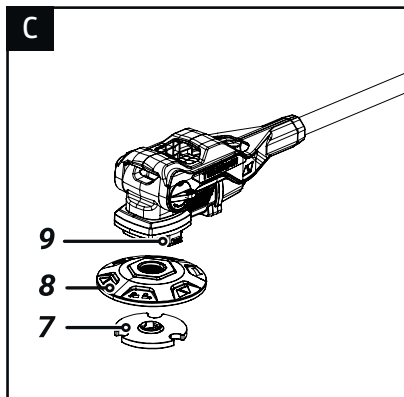


Operating instructions  
Bedienungsanleitung (Original)  
Mode d'emploi  
Gebruiksaanwijzing  
Istruzioni di funzionamento  
Manual de usuario  
Instruções de funcionamento  
Instrukcja

Model: BT-CBT003  
Item-No.: 7064924  
[www.bataviapower.com](http://www.bataviapower.com)

A





---

## Overview

1. Grip sleeve
2. Locking screw
3. Extra handle
4. Power supply unit
5. Battery slot
6. ON/OFF switch
7. Inner part of the brush
8. Outer part of the brush
9. Spindle lock button
10. Motor unit
11. Locking lever
12. Water pipe connector

## Übersicht

1. Griffhülse
2. Feststellschraube
3. Zusatzhandgriff
4. Stromversorgungseinheit
5. Batterieschacht
6. Ein-/Ausschalter
7. Bürsteninnenteil
8. Bürstenaußenteil
9. Wellenblockierknopf
10. Motoreinheit
11. Feststellhebel
12. Wasserrohrverbinder

## Aperçu

1. Manchon-poignée
2. Vis de blocage
3. Poignée auxiliaire
4. Bloc d'alimentation électrique
5. Logement de batterie
6. Interrupteur marche/arrêt
7. Brosse intérieure
8. Brosse extérieure
9. Bouton de blocage de l'axe
10. Moteur
11. Levier de blocage
12. Connecteur de tuyau d'eau

## Overzicht

1. Grijphuls
2. Vergrendelschroef
3. Extra handgreep
4. Voedingseenheid
5. Batterijslot
6. Aan-/uitschakelaar
7. Binnendeel borstel
8. Buitendeel borstel
9. Asvergrendelingsknop
10. Motoreenheid
11. Vergrendelingshendel
12. Waterpijpverbinding

---

## Panoramica

1. Boccola di presa
2. Vite di regolazione
3. Impugnatura supplementare
4. Unità alimentazione
5. Alloggiamento della batteria
6. Interruttore on/off
7. Parte interna della spazzola
8. Parte esterna della spazzola
9. Tasto di bloccaggio albero
10. Unità motore
11. Leva di regolazione
12. Connettore per tubi dell'acqua

## Resumen

1. Casquillo del mango
2. Tornillo de fijación
3. Asidero adicional
4. Unidad de alimentación eléctrica
5. Ranura de batería
6. Botón conexión/desconexión
7. Pieza interior del cepillo
8. Pieza exterior del cepillo
9. Botón de bloqueo del eje
10. Unidad del motor
11. Palanca de bloqueo
12. Conector de tubería de agua

## Visão geral

1. Manga do punho
2. Parafuso de bloqueio
3. Punho lateral
4. Fonte de alimentação
5. Compartimento de bateria
6. Interruptor ligar/desligar
7. Parte interior da escova
8. Parte exterior da escova
9. Botão de bloqueio do eixo
10. Unidade do motor
11. Alavanca de bloqueio
12. Conector de tubo de água

## Przegląd

1. Tuleja uchwytu
2. Śruba blokująca
3. Dodatkowy uchwyt
4. Jednostka zasilająca
5. Gniazdo baterii
6. Włącznik/wyłącznik
7. Część wewnętrzna szczotki
8. Część zewnętrzna szczotki
9. Przycisk blokujący wał
10. Jednostka silnika
11. Dźwignia blokująca
12. Złączka do rury wodnej

---

## Contents

1. Explanation of the symbols . . . . .	.6
2. Additional safety warnings . . . . .	.6
3. Contents of packing . . . . .	.7
4. Before the first use. . . . .	.7
5. Intended use . . . . .	.7
6. Maintenance, cleaning and storing . . . . .	.7
7. Technical data . . . . .	.8
8. Accessories - optionally available. . . . .	.8
9. Disposal . . . . .	.9
10. EC-Declaration of conformity . . . . .	.9
11. UK Declaration of Conformity . . . . .	.10

## Inhaltsverzeichnis

1. Erläuterung der Symbole. . . . .	.11
2. Zusätzliche Sicherheitshinweise . . . . .	.11
3. Verpackungsinhalt . . . . .	.12
4. Vor der ersten Benutzung . . . . .	.12
5. Bestimmungsgemäße Verwendung. . . . .	.12
6. Wartung, Reinigung und Lagerung . . . . .	.13
7. Technische Daten . . . . .	.13
8. Zubehör - optional erhältlich . . . . .	.14
9. Entsorgung . . . . .	.14
10. EG-Konformitätserklärung . . . . .	.15

## Table des matières

1. Explication des symboles . . . . .	.16
2. Avertissements de sécurité additionnels . . . . .	.16
3. Contenu de l'emballage . . . . .	.17
4. Avant la première utilisation . . . . .	.17
5. Utilisation conforme . . . . .	.17
6. Entretien, nettoyage et stockage . . . . .	.18
7. Caractéristiques techniques . . . . .	.18
8. Accessoires – disponibles en option . . . . .	.19
9. Élimination et recyclage . . . . .	.19
10. CE-Déclaration de conformité . . . . .	.19

## Inhoudsopgave

1. Uitleg van de symbolen . . . . .	.20
2. Aanvullende veiligheidsvoorschriften . . . . .	.20
3. Leveringsomvang . . . . .	.21
4. Vóór het eerste gebruik . . . . .	.21
5. Beoogd gebruik . . . . .	.21
6. Onderhoud, reiniging en opslag . . . . .	.21
7. Technische gegevens. . . . .	.22
8. Toebehoren - optioneel verkrijgbaar . . . . .	.23
9. Afvalverwerking en hergebruik . . . . .	.23
10. EG-Conformiteitsverklaring. . . . .	.23

---

## Contenuto

1. Spiegazione dei simboli . . . . . 24
2. Ulteriori avvertenze di sicurezza . . . . . 24
3. Contenuto dell'imballaggio . . . . . 25
4. Prima del primo utilizzo . . . . . 25
5. Uso previsto . . . . . 25
6. Manutenzione, pulizia e immagazzinamento . . . . . 26
7. Dati tecnici . . . . . 26
8. Accessorio - disponibile opzionalmente . . . . . 27
9. Smaltimento . . . . . 27
10. Dichiarazione di conformità CE . . . . . 27

## Índice

1. Explicación de los símbolos . . . . . 28
2. Advertencias de seguridad adicionales . . . . . 28
3. Contenido del embalaje . . . . . 29
4. Antes del primer uso . . . . . 29
5. Uso conforme al fin previsto . . . . . 29
6. Mantenimiento, limpieza y almacenamiento . . . . . 30
7. Datos técnicos . . . . . 30
8. Accesorios - disponibles opcionalmente . . . . . 31
9. Eliminación . . . . . 31
10. Declaración CE de conformidad . . . . . 31

## Índice

1. Explicação dos símbolos . . . . . 32
2. Avisos de segurança adicionais . . . . . 32
3. Conteúdo da embalagem . . . . . 33
4. Antes da primeira utilização . . . . . 33
5. Utilização adequada . . . . . 33
6. Manutenção, limpeza e armazenamento . . . . . 33
7. Dados técnicos . . . . . 34
8. Acessório - opcionalmente disponível . . . . . 35
9. Eliminação . . . . . 35
10. Declaração de conformidade CE . . . . . 35

## Spis treści

1. objaśnienie symboli . . . . . 36
2. Dodatkowe zalecenia dotyczące bezpieczeństwa . . . . . 36
3. Zawartość opakowania . . . . . 37
4. Przed pierwszym użyciem . . . . . 37
5. Użytkowanie zgodne z przeznaczeniem . . . . . 37
6. Konserwacja, czyszczenie i przechowywanie . . . . . 38
7. Dane techniczne . . . . . 38
8. Elementy wyposażenia – dostępne jako opcja . . . . . 39
9. Utylizacja . . . . . 39
10. Deklaracja zgodności z wymogami UE . . . . . 39

## Dear customer

Please familiarize yourself with the proper usage of the device by reading and following each chapter of this manual, in the order presented. Keep these operating instructions for further reference.

### **Please read the enclosed “General safety instructions for power tools” and all additional safety instructions in this operating instructions!**

This manual contains important information on operating and handling the device. Keep these operating instructions for further reference. Please pass it on along with the unit if it is handed over to a third party.

### **Battery and charger not included!**

The Maxxpack batteries and chargers are available online and in participating stores.

## 1. Explanation of the symbols

The following symbols are used in the user manual or on the product:



**Warning!** To reduce the risk of injury, the user must read the instruction manual.



Denotes risk of personal injury, loss of life or damage to the tool in case of non-observance of the instructions in this manual.



Wear eye protection.



CE stands for “Conformité Européenne”, which means “In accordance with EU Regulations”. With the CE marking, the manufacturer confirms that this Electric tool complies with the applicable European directives.



UKCA stands for: “UK Conformity Assessment”. This means “Compliant with UK regulations”. With the UKCA mark manufacturer confirms that this unit complies with the applicable UK regulations.



Do not dispose of electric power tools with domestic refuse.

## 2. Additional safety warnings



Please read this manual carefully and use the unit only according to this manual.

- a. The device must be used as intended. Observe local conditions and watch out for other people in your vicinity when working with the device.
- b. Before using the device, check for damages and do not use a damaged device. Should the device become damaged do not use it and have it repaired by a professional or contact our customer support department. Do not disassemble the device or try repairing it yourself.
- c. The appliance must not be operated by children or persons who have not been instructed accordingly.
- d. Persons with limited physical, sensorial or mental abilities are not allowed to use the device, unless they are supervised and briefed for their safety by a qualified person. Keep the device out of reach of children.
- e. Children must not clean or service the device unsupervised.
- f. Supervise children to prevent them from playing with the appliance.
- g. Hold the device firmly and safely when turning it on.
- h. The appliance must not be operated in explosive atmospheres.
- i. Always wear eye protection.
- j. This device is suitable for indoor and outdoor use, but do not use in rain.
- k. Check to make sure the brush accessory is installed correctly prior to use.
- l. Do not force the brush into tight spaces during use.
- m. Do not touch rotating parts when device is in use.

### 3. Contents of packing

- 1x Twin brush - Dual Power Scrubber (motor unit and power supply unit)
- 1x extra handle including attachment materials
- 1x medium brush (outer part and inner part)
- 1x user manual

### 4. Before the first use

- Remove the device and all additional parts out of the packaging.
- Check all parts for damage in transit and do not use a damaged device.
- Keep packaging materials out of reach of children. There is risk of suffocation!

#### 4.1 Height adjustment

- Bring the pipe to the desired length by loosening the height adjustment **(1)**. Change the pipe length and then tighten the height adjustment again.

### 5. Intended use

This product is intended for cleaning surfaces indoors and outdoors in the domestic sector. The product can be operated dry or with water. It is not intended for permanent commercial use.

The intended use also includes an operation following the operating instructions.

Any use beyond these parameters (different media, applying force) or any changes (reconstruction, no original accessory) can lead to serious risks and is regarded as use that is contrary to the intended purpose.

Only use accessories recommended by supplier.

#### 5.1 Attaching/changing the brush

- a. Block the shaft with the shaft lock button **(9)** and screw on the outer part of the brush **(8)** in the clockwise direction (see **Fig. C**).
- b. Insert the inner part of the brush **(7)** and lock it in place in the counter-clockwise direction.
- c. To undo the inner part of the brush, unlock it in the clockwise direction and take it off.
- d. Block the shaft with the shaft lock button **(9)** and unscrew the outer part

of the brush in the counter-clockwise direction.

#### 5.2 Adjusting the tilt angle of the brush

When using the device on the ground / floor, the head should not be locked. The head can then move along with the surface to be cleaned.

Only lock the head when using the device above shoulder height.

- a. Lift the locking lever **(16)** all the way (see **Fig. F**).
- b. Adjust the tilt angle to your individual needs and fix it in place by pushing down the locking lever.  
Do not push the locking lever through with great force. If the locking lever does not close properly, adjust the inclination of the brush slightly.

#### 5.3 Adjusting the extra handle

- a. Undo the locking screw **(2)**. (see **Fig. E, F**)
- b. Adjust the position of the extra handle **(3)** to your needs and tighten the locking screw again.

#### 5.4 Working with the device

- a. Press the ON/OFF switch **(6)** to turn the device on.  
It is not necessary to hold the ON/OFF switch during use.  
Only exert minimal pressure (gentle feed motion) on the device when working. Gently and evenly push the device forwards.
- b. Press the ON/OFF switch again to turn the device off.

### 6. Maintenance, cleaning and storing

Keep the device and its accessories in good and clean condition to ensure easy and safe working.

Remove the battery pack from the tool before carrying out any adjustment, servicing or maintenance.

If the bristles of the brush are deformed by transport or incorrect storage, immerse the brush in hot (90 degrees Celsius) water for 30 seconds. The bristles of the brush then return to the correct shape.

### 6.1 Maintenance

There are no inner parts of the tool which need maintenance.

### 6.2 Cleaning

- Keep safety devices, ventilation openings and the motor housing as free as possible from dirt and dust. Rub the electric power tool with a clean cloth or blow over it with low pressure compressed air.
- We recommend that you clean your electric power tool immediately after each use.
- Clean the electric power tool regularly with a damp cloth and somewhat soft soap. Make sure that no water can get inside the electric power tool.

### 6.3 Storing

- Clean the device before storing it.
- Before storing check all parts for damages.
- Store the device indoors in dry place that is protected from dust and dirt and extreme temperatures.

## 7. Technical data

Battery voltage:	18 V Li-Ion
No load speed (∅100/180 mm):	200/400 min <sup>-1</sup>
Product weight without accessories:	2.2 kg
Sound pressure level $L_{pA}$ :	63.5 dB(A)
Uncertainty $K_{pA}$ :	3.0 dB(A)
Sound power level $L_{WA}$ :	75.85 dB(A)
Uncertainty $K_{WA}$ :	3.0 dB(A)
Hand/arm vibration	
Front handle:	0.54 m/s <sup>2</sup>
Rear handle:	0.56 m/s <sup>2</sup>
Uncertainty K:	1.5 m/s <sup>2</sup>

### 7.1 Vibration level

The declared vibration total value and the declared noise emission values have been measured in accordance with a standard test method (EN 62841) and may be used for comparing one tool with another. The declared vibration total value may also be

used in a preliminary assessment of exposure.

### Warning!

The vibration and noise emission during actual use of the power tool can differ from the declared total value depending on the ways in which the tool is used, in particular, what kind of work piece is machined.

It is necessary to identify safety measures to protect the operator that are based on an estimation of exposure in the actual conditions of use (taking account of all parts of the operating cycle such as the times when the tool is switched off and when it is running idle in addition to the trigger time).

Try to minimize the impact of vibration and noise. Exemplary measures to reduce vibration exposure include wearing gloves while using the tool, limiting working time, and using accessories in good condition.

## 8. Accessories - optionally available

Item	Item no:
<b>Brush hard (grey)</b>	<b>7064253</b>
Thick strong hair for tough spots Perfect for (ceramic) indoor and outdoor tiles, outdoor wooden furniture, wooden decks, walls, garage doors, and many more	
<b>Brush medium (blue)</b>	<b>7064252</b>
Medium hairs for all round cleaning Perfect for boats, (ceramic) indoor and outdoor tiles, outdoor wooden furniture, wooden deck, walls, floors, and many more	
<b>Brush soft (black)</b>	<b>7064251</b>
Soft hairs for delicate surfaces Perfect for boats, caravan/camper, tiles, metal surfaces, mobile homes, and many more	

## 9. Disposal



*Do not dispose of electric power tools with domestic refuse.*

■ The electric power tool is shipped in packaging to reduce transport damage. This packaging is a raw material and as such can either be reused or can be fed back into the raw material cycle. The electric power tool and its accessories are made from various materials such as metals and plastics. Take defective components to a special refuse collection point. Ask about these at your specialist shop or local council. The product and the user manual may be subject to changes. Technical data may be changed without prior notice.

### 9.1 Batteries

Think of the environment when disposing of batteries. Contact your local authorities to find out where your nearest disposal area is. Do not dispose of batteries with domestic refuse. Do not dispose of by burning, risk of explosion.

## 10. EC-Declaration of conformity

We, the **Batavia B.V., Weth. Wassebaliestraat 6d, NL-7951 SN Staphorst**, declare by our own responsibility that the product **Cordless leaf blower, Model BT-CBT003, Item-No 7064924** is according to the basic requirements, which are defined in the European Directives **2006/42/EC** (MD), **2014/30/EU** (EMC), **2011/65/EU** (RoHS) and their amendments. For the evaluation of conformity, the following harmonized standards were consulted:

**EN 62841-1:2015+AC:15**

**EN IEC 62841-2-3:2021+A11:2021**

**EN ISO 12100:2010**

**AfPS GS 2019:01**

**EN IEC 55014-1:2021**

**EN IEC 55014-2:2021**

**2006/42/EC, 2014/30/EU, 2011/65/EU**

Staphorst, 05 Aug 2024

Jin Min, QA Representative  
Batavia B.V., Weth. Wassebaliestraat 6d,  
7951 SN Staphorst, Netherlands

## 11. UK Declaration of Conformity

We, **the Batavia B.V., Weth.**

**Wassebaliestraat 6d, NL-7951 SN**

**Staphorst**, Netherlands declare by our own responsibility that the product **Cordless power scrubber, Model BT-CBT003, Item-No 7064924** is according to the basic requirements, which are defined in the **UK Regulations Supply of Machinery (Safety) Regulations 2008, Electromagnetic Compatibility Regulations 2016, Restriction of the Use of Certain Hazardous Substances in Electrical and Electronic Equipment Regulations 2012 and their amendments.**

Staphorst, 05 Aug 2024



Jin Min, QA Representative

Batavia B.V., Weth. Wassebaliestraat 6d,  
7951 SN Staphorst, Netherlands

---

The product and the user manual may be subject to changes. Technical data may be changed without prior notice.

---

## Sehr geehrte Damen und Herren

Bitte machen Sie sich in der Reihenfolge der Kapitel mit dem Gerät vertraut und bewahren Sie diese Bedienungsanleitung für spätere Zwecke gut auf.

### Lesen Sie bitte die beigefügten **„Allgemeine Sicherheitshinweise für Elektrowerkzeuge“** und **alle weiteren Sicherheitshinweise in dieser Betriebsanleitung!**

Diese Bedienungsanleitung enthält wichtige Hinweise zur Inbetriebnahme und Handhabung. Legen Sie die Anleitung dem Produkt bei, wenn Sie es an Dritte weitergeben.

### **Akku und Ladegerät sind nicht im Lieferumfang enthalten!**

Die Maxxpack Akkus und Ladegeräte sind online und in teilnehmenden Geschäften verfügbar.

## 1. Erläuterung der Symbole

Folgende Symbole werden im Benutzerhandbuch oder auf dem Produkt verwendet:



**WARNUNG – Zur Verringerung des Verletzungsrisikos Bedienungsanleitung lesen.**



**Allgemeines Warnzeichen – Seien Sie aufmerksam und beachten Sie allgemeine Gefahren.**



**Tragen Sie Augenschutz.**



**CE** steht für „Conformité Européenne“, dies bedeutet, „Übereinstimmung mit EU Richtlinien“. Mit der CE Kennzeichnung bestätigt der Hersteller, dass dieses Elektrowerkzeug den geltenden europäischen Richtlinien entspricht.



**Nicht in den Hausmüll entsorgen!**

## 2. Zusätzliche Sicherheitshinweise



Bitte lesen Sie diese Bedienungsanleitung aufmerksam durch und benutzen Sie das Gerät ausschließlich gemäß dieser Anleitung.

- a. Das Gerät muss bestimmungsgemäß verwendet werden. Achten Sie bei
- b. Überprüfen Sie das Gerät vor der Verwendung auf Schäden und verwenden Sie ein beschädigtes Gerät nicht. Sollte das Gerät beschädigt sein, verwenden Sie es nicht und lassen Sie es von einem Fachmann reparieren oder wenden Sie sich an unseren Kundendienst. Nehmen Sie das Gerät nicht auseinander und versuchen Sie nicht, es selbst zu reparieren.
- c. Das Gerät darf nicht von Kindern oder Personen bedient werden, die nicht entsprechend unterwiesen wurden.
- d. Dieses Gerät kann von Personen mit eingeschränkten körperlichen, sensorischen oder geistigen Fähigkeiten oder mangelnder Erfahrung und Kenntnis verwendet werden, wenn sie beauftragt oder unterwiesen werden, das Gerät auf sichere Weise zu benutzen und die damit verbundenen Gefahren zu verstehen. Kinder dürfen nicht mit dem Gerät spielen.
- e. Reinigung und Wartung dürfen nicht von Kindern ohne Aufsicht durchgeführt werden.
- f. Beaufsichtigen Sie Kinder, damit sie nicht mit dem Gerät spielen.
- g. Halten Sie das Gerät beim Einschalten gut und sicher fest.
- h. Das Gerät darf nicht in explosionsgefährdeten Bereichen betrieben werden.
- i. Tragen Sie immer einen Augenschutz.
- j. Dieses Gerät ist für den Innen- und Außenbereich geeignet, darf aber nicht im Regen verwendet werden.
- k. Vergewissern Sie sich vor dem Gebrauch, dass das Bürstenzubehör richtig installiert ist.
- l. Drücken Sie die Bürste während des Gebrauchs nicht in enge Räume.
- m. Berühren Sie keine rotierenden Teile, wenn das Gerät in Gebrauch ist.

### 3. Verpackungsinhalt

- 1× Twin brush - Akku Bürste (Motoreinheit und Stromversorgungseinheit)
- 1× Zusatzhandgriff inkl. Befestigungsmaterial
- 1× Bürste mittel (Bürstenaußen- und -innenteil)
- 1× Bedienungsanleitung

### 4. Vor der ersten Benutzung

- Nehmen Sie das Gerät und alle anderen Teile aus der Verpackung.
- Überprüfen Sie alle Teile auf evtl. Transportschäden. Benutzen Sie das Gerät nicht, wenn es beschädigt ist.
- Halten Sie die Verpackungsmaterialien von Kleinkindern fern. Es besteht Erstickungsgefahr!

#### 4.1 Höhenverstellung

- Bringen Sie das Rohr in die gewünschte Länge, indem Sie die Höhenverstellung **(1)** lösen. Ändern Sie die Rohrlänge und ziehen Sie die Höhenverstellung anschließend wieder fest.

### 5. Bestimmungsgemäße Verwendung

Das Produkt ist bestimmt zum Reinigen von Oberflächen in Innenräumen und im Freien im privaten Bereich. Das Produkt kann trocken oder mit Wasser eingesetzt werden. Es ist nicht für den gewerblichen Dauereinsatz vorgesehen.

Zur bestimmungsgemäßen Verwendung gehört auch das Einhalten der Anleitung. Jede darüber hinausgehende Verwendung (andere Medien, Gewaltanwendung) oder eigenmächtige Veränderung (Umbau, kein Originalzubehör) können Gefahren auslösen und gelten als nicht bestimmungsgemäß. Verwenden Sie nur vom Lieferanten empfohlenes Zubehör.

#### 5.1 Bürste montieren/wechseln

- a. Die Welle mit dem Wellenblockierknopf **(9)** blockieren und das Bürstenaußenteil **(8)** im Uhrzeigersinn verschrauben (siehe **Abb. C**).
- b. Das Bürsteninnenteil **(7)** einsetzen und gegen den Uhrzeigersinn verriegeln.

- c. Zum Lösen das Bürsteninnenteil im Uhrzeigersinn entriegeln und abnehmen.
- d. Blockieren Sie die Welle mit der Wellenverriegelungstaste **(9)** und schrauben Sie den äußeren Teil der Bürste gegen den Uhrzeigersinn ab.

#### 5.2 Neigungswinkel der Bürste einstellen

- Bei Verwendung des Geräts auf dem Boden sollte der Kopf nicht fixiert werden. Der Kopf kann sich dann mit der zu reinigenden Fläche mitbewegen.
- Fixieren Sie den Kopf nur, wenn Sie das Gerät über Schulterhöhe verwenden.
- a. Den Feststellhebel **(16)** vollständig aufklappen (siehe **Abb. F**).
- b. Die Neigung der Bürste auf die individuellen Anforderungen einstellen und durch Zuklappen des Feststellhebels fixieren. Drücken Sie den Feststellhebel nicht mit großer Kraft zu. Wenn der Feststellhebel nicht richtig schließt, passen Sie die Neigung der Bürste leicht an.

#### 5.3 Zusatzhandgriff einstellen

- a. Lösen Sie die Feststellschraube **(2)** (siehe **Abb. E, F**).
- b. Stellen Sie die Position des Zusatzhandgriffs **(3)** auf Ihre Bedürfnisse ein und ziehen Sie die Feststellschraube wieder an.

#### 5.4 Arbeiten mit dem Gerät

- a. Um das Gerät einzuschalten, drücken Sie den Ein-/Ausschalter **(6)**. Es ist nicht notwendig, den Ein-/Ausschalter während der Arbeit festzuhalten. Üben Sie nur minimalen Druck (leichte Vorschubbewegung) auf das Gerät aus, wenn Sie arbeiten. Schieben Sie das Gerät sanft und gleichmäßig vorwärts.
- b. Zum Ausschalten drücken Sie den Ein-/Ausschalter erneut.

## 6. Wartung, Reinigung und Lagerung

Halten Sie das Gerät und das Zubehör in gutem und sauberem Zustand, um gut und sicher zu arbeiten.

Vor allen Arbeiten am Gerät den Akku entfernen.

Wenn die Borsten der Bürste durch den Transport oder falsche Lagerung verformt sind, tauchen Sie die Bürste 30 Sekunden lang in heißes Wasser (90 °C). Die Borsten nehmen dann wieder ihre ursprüngliche Form an.

### 6.1 Wartung

Im Geräteinneren befinden sich keine weiteren zu wartenden Teile.

### 6.2 Reinigung

- Halten Sie Schutzvorrichtungen, Lüftungsöffnungen und Motoregehäuse so staub- und schmutzfrei wie möglich. Reiben Sie das Elektrowerkzeug mit einem sauberen Tuch ab oder blasen Sie es mit Druckluft bei niedrigem Druck aus.
- Wir empfehlen, dass Sie das Elektrowerkzeug direkt nach jeder Benutzung reinigen.
- Reinigen Sie das Elektrowerkzeug regelmäßig mit einem feuchten Tuch und etwas Schmierseife. Achten Sie darauf, dass kein Wasser in das Innere des Elektrowerkzeuges gelangen kann.

### 6.3 Lagerung

- Reinigen Sie das Gerät vor jeder Lagerung.
- Überprüfen Sie vor der Lagerung des Gerätes alle Teile und das Netzkabel auf Beschädigungen.
- Lagern Sie das Gerät im Innenbereich an einem trockenen, vor Staub, Schmutz und extremen Temperaturen geschützten Ort.

## 7. Technische Daten

Akku Spannung:	18 V Li-Ion
Leerlaufdrehzahl ( $\varnothing 100/180$ mm):	200/400 min <sup>-1</sup>
Produktgewicht ohne Zubehör:	2,2 kg
Schalldruckpegel $L_{pA}$ :	63,5 dB(A)
Unsicherheit $K_{pA}$ :	3,0 dB(A)
Schalleistungspegel $L_{WA}$ :	75,85 dB(A)
Unsicherheit $K_{WA}$ :	3,0 dB(A)
Hand-Arm-Vibration vorderer Griff:	0,54 m/s <sup>2</sup>
hinterer Griff:	0,56 m/s <sup>2</sup>
Unsicherheit K:	1,5 m/s <sup>2</sup>

### 7.1 Vibrationsstufe

Der angegebene Schwingungsgesamtwert und die angegebenen Geräuschemissionswerte sind nach einem genormten Prüfverfahren (EN 62841) gemessen worden und können zum Vergleich eines Elektrowerkzeugs mit einem anderen verwendet werden. Sie können auch zu einer vorläufige Einschätzung der Belastung verwendet werden.

**Warnung!**

Die Schwingungs- und Geräuschemissionen können während der tatsächlichen Benutzung des Elektrowerkzeugs von den Angabewerten abweichen, abhängig von der Art und Weise, in der das Elektrowerkzeug verwendet wird, insbesondere, welche Art von Werkstück bearbeitet wird.

Es ist notwendig, Sicherheitsmaßnahmen zum Schutz des Bedieners festzulegen, die auf einer Abschätzung der Schwingungsbelastung während der tatsächlichen Benutzungsbedingungen beruhen (hierbei sind alle Anteile des Betriebszyklus zu berücksichtigen, beispielsweise Zeiten, in denen das Elektrowerkzeug abgeschaltet ist, und solche, in denen es zwar eingeschaltet ist, aber ohne Belastung läuft).

Versuchen Sie, die Belastung durch Vibrationen und Geräusche so gering wie möglich zu halten. Beispielhafte Maßnahmen zur Verringerung der Vibrationsbelastung sind das Tragen von Handschuhen beim Gebrauch des Werkzeugs, die Begrenzung der Arbeitszeit und das Einsatz von Zubehören in gutem Zustand.

**8. Zubehör - optional erhältlich**

**Artikel** **Artikel-Nr.**

**Bürste hart (grau)** **7064253**

Dickes, starkes Haar für schwierige Stellen  
 Perfekt für (Keramik-)Fliesen im Innen- und Außenbereich, Holzmöbel im Außenbereich, Holzdecks, Wände, Garagentore und vieles mehr

**Bürste mittel (blau)** **7064252**

Mittelstarke Haare für die allgemeine Reinigung  
 Perfekt für Boote, (Keramik-)Fliesen im Innen- und Außenbereich, Holzmöbel im Außenbereich, Holzdecks, Wände, Böden und vieles mehr

**Bürste weich (schwarz)** **7064251**

Weiche Haare für empfindliche Oberflächen  
 Perfekt für Boote, Wohnwagen/Wohnmobile, Fliesen, Metalloberflächen, Wohnmobile und vieles mehr

**9. Entsorgung**



*Entsorgen Sie Elektrowerkzeuge nicht über den Hausmüll.*

Das Elektrowerkzeug befindet sich in einer Verpackung, um Transportschäden zu verhindern. Diese Verpackung ist Rohstoff und ist somit wieder verwendbar oder kann dem Rohstoffkreislauf zurückgeführt werden. Das Elektrowerkzeug und dessen Zubehör bestehen aus verschiedenen Materialien, wie z.B. Metall und Kunststoffe. Führen Sie defekte Bauteile der Sondermüllentsorgung zu. Fragen Sie im Fachgeschäft oder in der Gemeindeverwaltung nach!

Das Produkt und das Benutzerhandbuch können geändert werden. Die technischen Daten können ohne Vorankündigung geändert werden.

**9.1 Batterien**

Denken Sie bei der Entsorgung von Batterien an den Umweltschutz. Wenden Sie sich zwecks einer umweltfreundlichen Entsorgung an die lokalen Behörden.

## 10. EG–Konformitätserklärung

Wir, die **Batavia B.V., Weth. Wassebalie-straat 6d, NL-7951 SN Staphorst**, erklären in alleiniger Verantwortung, dass das Produkt **Akku-Power-Scrubber, Typ BT–CBT003, Artikel Nr. 7064924** den wesentlichen Schutzanforderungen genügt, die in den Europäischen Richtlinien **2006/42/EG** (MD), **2014/30/EU** (EMC), **2011/65/EU** (RoHS) und deren Änderungen festgelegt sind. Für die Konformitätsbewertung wurden folgende harmonisierte Normen herangezogen:

**EN 62841-1:2015+AC:15**

**EN IEC 62841-2-3:2021+A11:2021**

**EN ISO 12100:2010**

**AfPS GS 2019:01**

**EN IEC 55014-1:2021**

**EN IEC 55014-2:2021**

**2006/42/EC, 2014/30/EU, 2011/65/EU**

Staphorst, den 05. Aug 2024



Jin Min, Qualitätsbeauftragter  
Batavia B.V., Weth. Wassebaliestraat 6d,  
7951 SN Staphorst, Niederlande

---

Das Produkt und das Benutzerhandbuch können geändert werden. Die technischen Daten können ohne Vorankündigung geändert werden.

## Cher client

Les manuels d'utilisation contiennent des consignes importantes pour la manipulation de votre nouveau produit. Ils vous permettent d'utiliser toutes les fonctions, d'éviter des erreurs de compréhension et de prévenir les dommages.

**Veillez lire le ci-joint « Consignes générales de sécurité pour appareils électriques » ainsi que toutes les consignes de sécurité supplémentaires contenues dans ce mode d'emploi!**

Veillez prendre le temps de lire tranquillement ce manuel d'utilisation et conservez-le jalousement pour une consultation ultérieure.

### Batterie et chargeur non inclus!

Les batteries et chargeurs Maxxpack sont disponibles en ligne et dans les magasins participants.

## 1. Explication des symboles

Les symboles suivants sont utilisés dans le manuel d'utilisation ou apposés sur le produit :



**AVERTISSEMENT** : pour réduire les risques de blessures, veuillez lire le mode d'emploi.



Indique un risque de blessures, un danger mortel ou un risqué d'endommagement de l'outil en cas du non-respect des consignes de ce mode d'emploi.



Porter des lunettes de protection.



CE est l'abréviation de "Conformité Européenne", ce qui signifie "conforme aux directives de l'Union Européenne". Le fabricant confirme par le marquage CE que cet appareil électrique correspond aux directives européennes en vigueur.



Ne jetez pas les équipements électriques avec les ordures ménagères.

## 2. Avertissements de sécurité additionnels



Afin d'éviter un mauvais fonctionnement, des dommages, des effets néfastes sur la santé, veuillez respecter les instructions suivantes:

- a. L'appareil doit être utilisé conformément à sa destination. Lorsque vous travaillez avec l'appareil, faites attention à votre environnement et aux autres personnes se trouvant à proximité.
- b. Vérifiez que l'appareil n'est pas endommagé avant de l'utiliser et n'utilisez pas un appareil endommagé. Si l'appareil est endommagé, ne l'utilisez pas et faites-le réparer par un spécialiste ou adressez-vous à notre service clientèle. Ne démontez pas l'appareil et n'essayez pas de le réparer vous-même.
- c. L'appareil ne doit pas être utilisé par des enfants ou par des personnes n'ayant pas été formées à son utilisation.
- d. Cet appareil peut être utilisé par des personnes dont les capacités physiques, sensorielles ou mentales sont réduites, ou qui manquent d'expérience et de connaissances, à condition qu'elles soient supervisées ou qu'elles aient reçu des instructions sur la manière d'utiliser l'appareil en toute sécurité et de comprendre les risques qu'il présente. Les enfants ne doivent pas jouer avec l'appareil.
- e. La maintenance et le nettoyage ne doivent pas être réalisés par des enfants sans surveillance.
- f. Surveillez les enfants afin qu'ils ne jouent pas avec l'appareil.
- g. Tenez correctement et fermement l'appareil lorsque vous le mettez en marche.
- h. N'utilisez pas l'appareil dans des zones à risque d'explosion.
- i. Portez toujours une protection oculaire.
- j. Cet appareil est adapté à l'intérieur comme à l'extérieur, mais ne doit pas être utilisé sous la pluie.

- k. Assurez-vous que l'accessoire de brosse est correctement installé avant de l'utiliser.
- l. Ne posez pas la brosse dans des espaces étroits pendant son utilisation.
- m. Ne touchez pas les pièces en rotation lorsque l'appareil est en cours d'utilisation.

### 3. Contenu de l'emballage

- 1x double brosse – brosse à batterie (moteur et bloc d'alimentation électrique)
- 1x poignée auxiliaire avec matériel de fixation
- 1x brosse classique (brosse extérieure et brosse intérieure)
- 1x notice d'utilisation

### 4. Avant la première utilisation

- Déballez l'appareil et toutes les pièces supplémentaires.
- Vérifiez que toutes les pièces sont intactes après le transport. N'utilisez pas un appareil endommagé.
- Gardez les matériaux d'emballage hors de la portée des enfants. Risque d'étouffement !

#### 4.1 Réglage de la hauteur

- Amener le tuyau à la longueur souhaitée en desserrant le réglage en hauteur (1). Modifiez la longueur du tuyau, puis resserrez le réglage de la hauteur.

### 5. Utilisation conforme

Le produit est destiné au nettoyage des surfaces à l'intérieur et à l'extérieur dans la sphère domestique. Le produit peut être utilisé à sec ou avec de l'eau. Il n'est pas prévu pour une utilisation professionnelle continue.

Le respect de la notice fait également partie d'une utilisation conforme.

Toute autre utilisation (autres liquides, force excessive) ou modification arbitraire (transformation, utilisation d'accessoires n'étant pas d'origine) peut entraîner des risques et est considérée comme non conforme à l'usage prévu.

N'utilisez que les accessoires recommandés par le fournisseur.

### 5.1 Montage/remplacement des brosses

- a. Bloquez l'axe avec le bouton de blocage de l'axe (9) et vissez la brosse extérieure (8) dans le sens des aiguilles d'une montre (voir fig. C).
- b. Insérez la brosse intérieure (7) et verrouillez-la en tournant dans le sens inverse des aiguilles d'une montre.
- c. Pour desserrer, déverrouillez la brosse intérieure en tournant dans le sens des aiguilles d'une montre et retirez-la.
- d. Bloquez l'arbre avec le bouton de verrouillage de l'arbre (9) et dévissez la partie extérieure de la brosse dans le sens antihoraire.

### 5.2 Réglage de l'angle d'inclinaison de la brosse

En cas d'utilisation de l'appareil sur le sol, la tête ne doit pas être fixée. La tête peut alors suivre la surface à nettoyer.

Ne fixez la tête que si vous utilisez l'appareil au-dessus de la hauteur des épaules.

- a. Ouvrez complètement le levier de blocage (16) (voir fig. F).
- b. Réglez l'inclinaison de la brosse en fonction de vos besoins et fixez-la en fermant le levier de blocage.

Ne forcez pas lorsque vous serrez le levier de blocage. Si le levier de blocage ne se ferme pas correctement, ajustez légèrement l'inclinaison de la brosse.

### 5.3 Réglage de la poignée auxiliaire

- a. Desserrez la vis de blocage (2) (voir fig. G, H).
- b. Réglez la position de la poignée auxiliaire (3) en fonction de vos besoins, puis resserrez la vis de blocage.

### 5.4 Utilisation de l'appareil

- a. Pour mettre l'appareil en marche, appuyez sur l'interrupteur marche/arrêt (6).

Il n'est pas nécessaire de tenir fermement l'interrupteur marche/arrêt pendant l'utilisation de l'appareil. N'exercez qu'une pression minimale (légère poussée vers l'avant) sur l'appareil lorsque vous travaillez. Poussez l'appareil doucement et régulièrement vers l'avant.

- b. Pour éteindre l'appareil, appuyez à nouveau sur l'interrupteur marche/arrêt

## 6. Entretien, nettoyage et stockage

Veillez à la propreté de l'appareil et de ses accessoires afin de pouvoir travailler correctement et en toute sécurité.

Retirez la batterie avant toute intervention sur l'appareil.

Si les poils de la brosse sont déformés à cause du transport ou d'un mauvais stockage, plongez la brosse dans de l'eau chaude (90 °C) pendant 30 secondes. Les poils reprennent alors leur forme initiale.

### 6.1 Maintenance

Il n'y a aucune autre pièce nécessitant un entretien à l'intérieur de l'appareil.

### 6.2 Nettoyage

- Les équipements de protection, les fentes de ventilation et le carter du moteur doivent rester aussi propres que possible, sans poussière ni salissures. Nettoyez l'appareil électrique avec un chiffon propre ou en soufflant de l'air comprimé à faible pression.
- Nous conseillons de nettoyer l'appareil électrique immédiatement après chaque utilisation.
- Nettoyez régulièrement l'appareil électrique avec un chiffon humide et un peu de savon noir. Veillez à empêcher la pénétration d'eau à l'intérieur de l'appareil électrique.

### 6.3 Rangement

- Nettoyez l'appareil avant de le ranger.
- Avant de ranger l'appareil, vérifiez que toutes les pièces ne comportent aucun dommage.
- Rangez l'appareil à l'intérieur au sec et à l'abri de la poussière, de la saleté et des températures extrêmes.

## 7. Caractéristiques techniques

Tension de la pile :	18 V Li-Ion
Vitesse à vide (∅100/180 mm) :	200/400 min <sup>-1</sup>
Poids du produit :	4,15 kg
Niveau de pression acoustique L <sub>PA</sub> :	63,5 dB(A)
Incertitude K <sub>PA</sub> :	3,0 dB(A)
Niveau de puissance acoustique L <sub>WA</sub> :	75,85 dB(A)
Incertitude K <sub>WA</sub> :	3,0 dB(A)
Vibration mains/bras poignée avant :	0,54 m/s <sup>2</sup>
poignée arrière :	0,56 m/s <sup>2</sup>
Incertitude K :	1,5 m/s <sup>2</sup>

### 7.1 Niveau de vibration

La valeur totale des vibrations et les valeurs d'émission sonore indiquées ont été mesurées en appliquant une méthode d'essai normée (EN 62841). Elles peuvent être utilisées pour comparer des outils électriques entre eux. Elles peuvent également être utilisées pour une estimation provisoire de la sollicitation.

#### Avertissement !

Les émissions de vibrations et de bruit peuvent différer des valeurs indiquées pendant l'utilisation effective de l'outil électrique en fonction du type d'utilisation de l'outil électrique, en particulier en fonction du type de pièce utilisée.

En vue de protéger l'utilisateur, il est nécessaire de fixer des mesures de sécurité basées sur une estimation de la sollicitation vibratoire dans les conditions d'utilisation réelles (pour cela, il faut tenir compte de toutes les phases du cycle de fonctionnement, par exemple des temps d'arrêt de l'outil électrique, ainsi que des temps où l'outil est en marche sans être sollicité).

Essayez de réduire au minimum les sollicitations vibratoires et sonores. Le port de gants lors de l'utilisation de l'outil, la limitation du temps de travail et l'utilisation d'accessoires en bon état sont des exemples de mesures visant à réduire la sollicitation vibratoire.

## 8. Accessoires – disponibles en option

**Article** **Référence:**  
**Brosse rigide (gris)** **7064253**

Poils épais et durs pour les endroits difficiles

Idéale pour les carreaux (en céramique) d'intérieur et d'extérieur, les meubles d'extérieur en bois, les terrasses en bois, les murs, les portes de garage et bien plus encore

**Brosse classique (bleue)** **7064252**

Poils moyennement durs pour le nettoyage général

Idéale pour les bateaux, les carreaux (en céramique) d'intérieur et d'extérieur, les meubles d'extérieur en bois, les terrasses en bois, les murs, les sols et bien plus encore

**Brosse douce (noire)** **7064251**

Poils souples pour les surfaces délicates

Idéale pour les bateaux, les caravanes et camping-cars, le carrelage, les surfaces métalliques, les mobile homes et bien plus encore

## 9. Élimination et recyclage



*N'éliminez pas les appareils électriques via les ordures ménagères.*

L'appareil électrique se trouve dans un emballage afin d'éviter tout dommage pendant le transport. Cet emballage est une matière première et peut donc être réutilisé ultérieurement ou être réintroduit dans le circuit des matières premières.

L'appareil électrique et ses accessoires sont composés de plusieurs matériaux, par exemple des métaux et des matières plastiques. Éliminez les composants défectueux via les systèmes d'élimination des déchets spéciaux. Renseignez-vous dans un magasin spécialisé ou auprès de l'administration de votre commune!

Le produit et le manuel utilisateur peuvent être modifiés. Les caractéristiques techniques peuvent être modifiées sans préavis.

### 9.1 Batteries

Lors de l'élimination des batteries, pensez à la protection de l'environnement. Pour une élimination écologique, adressez-vous aux autorités locales.

## 10. CE-Déclaration de conformité

Nous, **Batavia B.V., Weth. Wassebaliestraat 6d, NL-7951 SN Staphorst**, déclarons sous notre seule responsabilité que le produit **Brosse motorisée sans fil, Modèle BT-CBT003, N° d'article 7064924** satisfait les principales exigences de protection définies dans les directives européennes compatibilité **2006/42/EC (MD)**, **2014/30/EU (EMC)**, **2011/65/EU (RoHS)** ainsi que les modifications y apportées. Pour évaluer la conformité nous avons eu recours aux normes harmonisées ci-dessous:

**EN 62841-1:2015+AC:15**

**EN IEC 62841-2-3:2021+A11:2021**

**EN ISO 12100:2010**

**AfPS GS 2019:01**

**EN IEC 55014-1:2021**

**EN IEC 55014-2:2021**

**2006/42/EC, 2014/30/EU, 2011/65/EU**

Staphorst, le 05 Aug 2024

Jin Min, Responsable de qualité  
Batavia B.V., Weth. Wassebaliestraat 6d,  
7951 SN Staphorst, Pays-Bas

Le produit et le manuel utilisateur peuvent être modifiés. Les caractéristiques techniques peuvent être modifiées sans préavis.

## Geachte klant

Gebruikershandleidingen verstrekken nuttige tips m.b.t. gebruik van uw nieuwe apparaat. Ze helpen u alle functies te gebruiken, misverstanden te voorkomen en beschadiging te vermijden. Neem de tijd deze handleiding zorgvuldig te lezen en bewaar het als naslagwerk.

### Lees alstublieft de los bijgevoegde "Algemene veiligheidsvoorschriften voor elektrisch gereedschap" en alle aanvullende veiligheidsinstructies in deze gebruiksaanwijzing!

Deze handleiding bevat belangrijke informatie over het bedienen en hanteren van het apparaat. Bewaar deze gebruiksaanwijzing voor verdere verwijzing. Gelieve het samen met het toestel door te geven als deze aan derden wordt overhandigd.

### Batterij en oplader niet inbegrepen.

De Maxxpack accu's en opladers zijn online en in deelnemende winkels verkrijgbaar.

## 1. Uitleg van de symbolen

De volgende symbolen worden gebruikt in de gebruikershandleiding of op het product:



**WAARSCHUWING** – Lees de gebruiksaanwijzing om het risico op letsel te verminderen.



**Gevaar voor lichamelijk letsel of materiële schade wanneer de instructies in deze handleiding niet worden opgevolgd.**



**Draag oogbescherming.**



**CE staat voor: „Conformité Européenne”. Dit betekent: „Voldoet aan EU-richtlijnen”. Met de CE-markering bevestigt de fabrikant dat deze machine voldoet aan de geldende Europese richtlijnen.**



**De machine mag niet worden afgevoerd met het huishoudelijk afval.**

## 2. Aanvullende veiligheidsvoorschriften



Lees deze handleiding zorgvuldig door en gebruik het apparaat alleen zoals uitgelegd in deze handleiding.

- Het apparaat moet volgens het beoogde gebruik worden gebruikt. Let bij het werken met het apparaat op de plaatselijke omstandigheden en op andere mensen in uw omgeving.
- Controleer het apparaat voor gebruik op schade en gebruik geen beschadigd apparaat. Als het apparaat beschadigd is, gebruik het dan niet en laat het repareren door een professional of neem contact op met onze klantenservice. Haal het apparaat niet uit elkaar en probeer niet om het zelf te repareren.
- Het apparaat mag niet door kinderen of personen worden gebruikt, die niet naar behoren instructies hebben gekregen.
- Dit apparaat kan worden gebruikt door personen met verminderde fysieke, zintuiglijke of mentale vermogens of met een gebrek aan ervaring en kennis als ze onder toezicht staan of instructies hebben gekregen om het apparaat op een veilige manier te gebruiken en de bijbehorende risico's begrijpen. Kinderen mogen niet met het apparaat spelen.
- Reiniging en onderhoud mogen niet door kinderen zonder toezicht worden uitgevoerd.
- Let op dat er geen kinderen met het apparaat spelen.
- Houd het apparaat bij het inschakelen goed en veilig vast.
- Het apparaat mag niet in explosiegevaarlijke omgevingen worden gebruikt.
- Draag altijd oogbescherming.
- Dit apparaat is geschikt voor binnen- en buitengebruik, maar mag echter niet in de regen worden gebruikt.
- Controleer voor het gebruik of het borsteltoebehoort juist gemonteerd is.
- Duw de borstel tijdens gebruik niet in krappe ruimtes.

- m. Raak geen draaiende onderdelen aan, wanneer het apparaat in gebruik is.

### 3. Leveringsomvang

- 1x twin brush - accuborstel (motoreenheid en voedingseenheid)
- 1x extra handgreep incl. bevestigingsmateriaal
- 1x borstel medium (borstel buitenste en binnenste deel)
- 1x gebruikershandleiding

### 4. Vóór het eerste gebruik

- Verwijder het apparaat en alle extra onderdelen uit de verpakking.
- Controleer alle onderdelen op transport schade en gebruik een beschadigd apparaat niet.
- Houd verpakkingsmaterialen buiten het bereik van kinderen. Er bestaat verstikkingsgevaar!

#### 4.1 Hoogte aanpassing

- Breng de buis op de gewenste lengte door de hoogteverstelling (1) los te draaien. Wijzig de buislengte en draai vervolgens de hoogteverstelling weer vast.

### 5. Beoogd gebruik

Het product is bedoeld voor het reinigen van oppervlakken in binnenruimtes en buiten voor particulier gebruik. Het product kan droog of met water worden gebruikt. Het is niet bedoeld voor continu commercieel gebruik.

Tot het beoogde gebruik behoort ook het naleven van de instructies.

Elk ander gebruik (andere media, gebruik van geweld) of ongeoorloofde wijziging (ombouw, geen originele toebehoren) kan gevaar opleveren en wordt als oneigenlijk beschouwd.

Gebruik alleen het toebehoren dat door de fabrikant is aanbevolen.

#### 5.1 Borstel monteren/vervangen

- a. De as met de asvergrendelingsknop (9) blokkeren en het buitenste deel van de borstel (8) met de wijzers van de klok mee vastschroeven (zie **afb. C**).

- b. Het binnendeel van de borstel (7) plaatsen en tegen de wijzers van de klok in vergrendelen.
- c. Om los te maken, ontgrendelt u het binnenste deel van de borstel met de wijzers van de klok mee en verwijdt u het.
- d. Blokkeer de as met de asvergrendelingsknop (9) en schroef het buitenste deel van de borstel in tegenwijzerzin los.

#### 5.2 Hoek van de borstel instellen

Bij gebruik van het apparaat op de vloer mag de kop niet worden vastgezet. De kop kan dan meebewegen met het te reinigen oppervlak.

Zet de kop alleen vast, wanneer u het apparaat boven schouderhoogte gebruikt.

- a. De vergrendelingshendel (16) volledig openen (zie **afb. F**).
- b. Pas de helling van de borstel aan uw individuele wensen aan en zet deze vast door de vergrendelingshendel te sluiten. Druk niet met overmatige kracht op de vergrendelingshendel. Als de vergrendelingshendel niet juist sluit, moet u de helling van de borstel iets aanpassen.

#### 5.3 Extra handgreep instellen

- a. Maak de vergrendelschroef los (2). (zie **afb. E,F**)
- b. Stel de positie van de extra handgreep (3) in volgens uw behoeften en draai de vergrendelschroef weer aan.

#### 5.4 Werken met het apparaat

- a. Druk op de aan-/uitschakelaar (6) om het apparaat in te schakelen. Het is niet nodig de aan-/uitschakelaar tijdens het werk vast te houden. Oefen tijdens het werken minimale druk uit (lichte voorwaartse beweging) op het apparaat. Schuif het apparaat soepel en gelijkmatig naar voren.
- b. Druk opnieuw de aan-/uitschakelaar in om uit te schakelen.

### 6. Onderhoud, reiniging en opslag

Houd het apparaat en toebehoren in een goede en schone toestand om goed en veilig te werken.

Verwijder de accu-afdekking voor alle werkzaamheden aan het apparaat.

Als de haren van de borstel vervormd zijn door transport of onjuiste opslag, laat de borstel dan 30 seconden lang in heet water (90 °C) weken. De borstelharen keren dan terug naar hun oorspronkelijke vorm.

### 6.1 Onderhoud

In het binnenwerk van de machine bevinden zich geen te onderhouden onderdelen.

### 6.2 Reiniging

- Houd veiligheidsvoorzieningen, ventilatieopeningen en de behuizing van de motor zo goed mogelijk vrij van stof en vuil. Veeg de machine af met een schone doek of blaas hem uit met perslucht onder lage druk.
- Wij bevelen aan om de machine direct na ieder gebruik te reinigen.
- Reinig de machine regelmatig met een vochtige doek en een beetje zachte zeep. Let erop dat er geen water in het binnenste van de machine kan komen.

### 6.3 Opbergen

- Reinig het apparaat voor u het opbergt.
- Controleer voor het opbergen of de onderdelen en het stroomsnoer niet beschadigd zijn.
- Berg het apparaat binnenhuis en op een droge plek op die is afgeschermd voor stof, vuil en extreme temperaturen.

## 7. Technische gegevens

Accuspanning:	18 V Li-Ion
Onbelast toerental (∅100/180 mm):	200/400 min <sup>-1</sup>
Productgewicht zonder accessoires:	2,2 kg
Geluidsdruk niveau $L_{pA}$ :	63,5 dB(A)
Onzekerheid $K_{pA}$ :	3,0 dB(A)
Geluidsvermogen niveau $L_{WA}$ :	75,85 dB(A)
Onzekerheid $K_{WA}$ :	3,0 dB(A)
Hand-/arm vibratie voorste handgreep:	0,54 m/s <sup>2</sup>
achterste handgreep:	0,56 m/s <sup>2</sup>
Onzekerheid K:	1,5 m/s <sup>2</sup>

### 7.1 Trillingsniveau

De aangegeven totale trillingswaarde en de aangegeven geluidsemisiewaarden zijn volgens een genormeerd controleprocedé (EN 62841) gemeten en kunnen ter vergelijking van een elektrisch gereedschap met een ander elektrisch gereedschap gebruikt worden. Deze kunnen ook voor een voorlopige inschatting van de belasting gebruikt worden.

#### Waarschuwing!

De trillings- en geluidsemisies kunnen tijdens het daadwerkelijke gebruik van het elektrisch gereedschap van de aangegeven waarden afwijken. Dit is afhankelijk van de manier waarop het elektrisch gereedschap gebruikt wordt, in het bijzonder welke soort werkstuk bewerkt wordt.

Het is noodzakelijk om veiligheidsmaatregelen ter bescherming van de bediener te bepalen. Deze moeten gebaseerd zijn op een inschatting van de trillingsbelasting tijdens de daadwerkelijke gebruiksomstandigheden (hierbij moet rekening gehouden worden met alle aandelen van de bedrijfscyclus, bijvoorbeeld tijden, waarin het elektrisch gereedschap uitgeschakeld is, en tijden waarin het weliswaar ingeschakeld is maar zonder belasting draait).

Probeer de belasting door trillingen en geluiden zo laag mogelijk te houden. Voorbeelden van maatregelen om de trillingsbelasting te verminderen zijn het dragen van handschoenen bij het gebruik van het gereedschap, de begrenzing van de werktijd en het gebruik van toebehoren in goede toestand.

## 8. Toebehoren - optioneel verkrijgbaar

**Artikel** **Artikel-nr:**  
**Harde borstel (grijs)** **7064253**

Dik, sterk haar voor moeilijke zones  
 Perfect voor (keramische) tegels binnen en buiten, houten buitenmeubels, houten dekken, muren, garagedeuren en nog veel meer

**Medium borstel (blauw)** **7064252**

Middelsterke haren voor de algemene reiniging  
 Perfect voor boten, (keramische) tegels binnen en buiten, houten buitenmeubels, houten dekken, muren, vloeren en nog veel meer

**Zachte borstel (zwart)** **7064251**

Zacht haar voor delicate oppervlakken  
 Perfect voor boten, woonwagens/caravans, tegels, metalen oppervlakken, mobiele woningen en nog veel meer

## 9. Afvalverwerking en hergebruik



*De machine mag niet worden afgevoerd met het huishoudelijk afval.*

De machine bevindt zich in een verpakking om transportschade te vermijden. Deze verpakking is grondstof en is dus herbruikbaar of kan weer in de grondstoffenkringloop teruggevoerd worden. De machine en zijn accessoires bestaan uit verschillende materialen, zoals bijv. metaal en kunststof. Voer defecte onderdelen af als gevaarlijke stoffen. Vraag bij de vakhandel of op het gemeentehuis om meer informatie!

Het product en de gebruiksaanwijzing kunnen wijzigen. De technische gegevens kunnen zonder voorafgaande aankondiging worden gewijzigd.

### 9.1 Batterijen

Denk bij het afvoeren van batterijen aan de bescherming van het milieu. Neem voor milieuvriendelijke afvoer contact op met de lokale overheid.

## 10. EG-Conformiteitsverklaring

Hiermee verklaren wij, **Batavia B.V., Wethouder Wassebaliestraat 6d, NL-7951 SN Staphorst**, dat het apparaat **Accu power-scrubber, Model BT-CBT003, Artikel Nr. 7064924** op grond van zijn ontwerp en bouwwijze en in de door ons in omloop gebrachte uitvoering voldoet aan de desbetreffend van toepassing zijnde fundamentele veiligheids- en gezondheidsvereisten van de EG-richtlijnen: **2006/42/EC** (MD), **2014/30/EU** (EMC), **2011/65/EU** (RoHS). Voor de evaluatie van de conformiteit zijn de volgende geharmoniseerde normen toegepast:

**EN 62841-1:2015+AC:15**  
**EN IEC 62841-2-3:2021+A11:2021**  
**EN ISO 12100:2010**  
**AfPS GS 2019:01**  
**EN IEC 55014-1:2021**  
**EN IEC 55014-2:2021**  
**2006/42/EC, 2014/30/EU, 2011/65/EU**

Staphorst, 05 Aug 2024

Technische documentatie bewaard door:

Jin Min, Batavia B.V.,  
 Weth.Wassebaliestraat 6d, 7951 SN Staphorst, Nederland

Het product en de gebruiksaanwijzing kunnen wijzigen. De technische gegevens kunnen zonder voorafgaande aankondiging worden gewijzigd.

## Gentile cliente,

Leggendo accuratamente tutti i capitoli del presente manuale nell'ordine presentato, potrà acquisire dimestichezza con il corretto uso del dispositivo. La invitiamo a conservare queste istruzioni di utilizzo per successive consultazioni.

### **Leggere le "Istruzioni di sicurezza generali per utensili elettrici" incluse e tutte le istruzioni di sicurezza aggiuntive nel presente manuale.**

Il presente manuale contiene informazioni importanti sull'utilizzo e la gestione del dispositivo. La invitiamo a conservare queste istruzioni di utilizzo per successive consultazioni. In caso di trasferimento dell'unità a terzi, dovrà essere ceduto anche il manuale.

### **Batteria e caricabatterie non inclusi.**

Le batterie e caricabatterie Maxpack sono disponibili online e nei negozi aderenti.

## 1. Spiegazione dei simboli

I seguenti simboli sono utilizzati nel manuale di istruzioni e sul prodotto:



*Avviso! Per ridurre il rischio di lesioni, l'utente deve leggere le istruzioni del presente manuale.*



*Indica rischio di lesioni personali, morte o danni all'apparecchio in caso di mancato rispetto delle istruzioni contenute nel presente manuale.*



*Indossare un dispositivo di protezione degli occhi.*



*CE è l'abbreviazione di Conformità Europea e ha il significato di "Ai sensi dei regolamenti dell'Unione Europea". Attraverso la marcatura CE, il produttore attesta che il presente utensile elettrico è conforme alle direttive europee vigenti.*



*Non smaltire gli utensili elettrici con i normali rifiuti domestici.*

## 2. Ulteriori avvertenze di sicurezza



Leggere attentamente il presente manuale e utilizzare l'unità attenendosi alle istruzioni in esso contenute.

- a. Il dispositivo deve essere utilizzato in conformità con la sua destinazione d'uso. Durante l'utilizzo del dispositivo, rispettare le norme locali e fare attenzione alle persone che si trovano nelle immediate vicinanze.
- b. Prima dell'uso controllare il dispositivo in modo da verificare la presenza di danni. Non utilizzare un dispositivo danneggiato. Se il dispositivo fosse danneggiato, non utilizzarlo, farlo riparare a un tecnico qualificato o rivolgersi al nostro servizio di assistenza clienti. Non smontare il dispositivo né cercare di ripararlo da soli.
- c. Il dispositivo non può essere utilizzato da bambini o da persone non specificatamente addestrate.
- d. Questo dispositivo può essere utilizzato da persone con ridotte capacità fisiche, sensoriali o mentali o prive di esperienza e conoscenza se sono supervisionate o istruite a utilizzare il dispositivo in modo sicuro e a comprendere i pericoli coinvolti. Non permettere ai bambini di giocare con il dispositivo.
- e. La pulizia e la manutenzione non possono essere eseguiti dai bambini senza la supervisione di un adulto.
- f. Vi invitiamo a tenere sotto controllo i bambini in modo che non possano giocare con il dispositivo.
- g. Durante l'accensione tenere saldamente in mano il dispositivo.
- h. Il dispositivo non può essere utilizzato in ambienti esposti al pericolo di esplosione.
- i. Indossare sempre gli occhiali protettivi.
- j. Questo dispositivo è adatto per uso interno ed esterno, ma non deve essere utilizzato sotto la pioggia.
- k. Prima dell'uso verificare che l'accessorio spazzola sia stato installato correttamente.
- l. Durante il funzionamento non spingere la spazzola in ambienti stretti.
- m. Quando il dispositivo è in funzione, non toccare le parti rotanti.

### 3. Contenuto dell'imballaggio

- 1x Twin brush - Spazzola a batteria (unità motore e unità alimentazione)
- 1x Impugnatura supplementare con materiale di fissaggio
- 1x Spazzola media (parte interna ed esterna della spazzola)
- 1x Istruzioni per l'uso

### 4. Prima del primo utilizzo

- Estrarre il dispositivo e tutte le parti accessorie dall'imballaggio.
- Verificare che le parti non abbiano subito danni durante il trasporto e non utilizzare il dispositivo, se danneggiato.
- Tenere il materiale di imballaggio fuori dalla portata dei bambini. Vi è il rischio di soffocamento!

#### 4.1 Regolazione altezza

- Portare il tubo alla lunghezza desiderata allentando la regolazione dell'altezza **(1)**. Modificare la lunghezza del tubo e quindi serrare nuovamente la regolazione dell'altezza.

### 5. Uso previsto

Il prodotto è stato concepito per pulire superfici in ambienti interni o esterni privati. Il prodotto può essere utilizzato a secco o con acqua. Esso non è stato concepito per l'utilizzo a ciclo continuo.

L'utilizzo conforme alla destinazione d'uso prevede anche il rispetto delle istruzioni.

Tutti gli impieghi diversi (altri liquidi, forzature) o le modifiche arbitrarie (alterazione, nessun accessorio originale) possono causare situazioni di pericolo e valgono come utilizzo non conforme alla destinazione d'uso.

Utilizzare solo gli accessori consigliati dal fornitore.

#### 5.1 Montaggio/sostituzione della spazzola

- a. Bloccare l'albero con il tasto di bloccaggio albero **(9)** e svitare la parte esterna della spazzola **(8)** ruotandola in senso orario (vedi **fig. C**).
- b. Inserire la parte interna della spazzola **(7)** e bloccarla ruotandola in senso antiorario.

- c. Per allentare e rimuovere la parte interna della spazzola, ruotarla in senso orario.
- d. Bloccare l'albero con il pulsante di bloccaggio dell'albero **(9)** e svitare la parte esterna della spazzola in senso antiorario. Regolazione dell'angolo di inclinazione della spazzola

#### 5.2 Regola l'angolazione della spazzola

Quando si utilizza l'apparecchio sul pavimento, la testa non deve essere fissata. La testa può quindi muoversi insieme alla superficie da pulire. Stringere la testa solo quando si utilizza il dispositivo al di sopra dell'altezza delle spalle.

- a. Aprire completamente la leva di regolazione **(16)** (vedi **fig. F**).
- b. Regolare l'angolo di inclinazione della spazzola in base alle proprie esigenze specifiche e fissare con la leva di regolazione. Spingere la leva di regolazione senza applicare alcuna forza eccessiva. Se la leva di regolazione non si chiude correttamente, adattare di conseguenza l'inclinazione della spazzola.

#### 5.3 Regolazione della impugnatura supplementare

- a. Allentare la vite di regolazione **(2)**. (vedi **fig. E, F**)
- b. Regolare la posizione dell'impugnatura supplementare **(3)** in base alle proprie esigenze. Infine, serrare la vite di regolazione.

#### 5.4 Lavorare con il dispositivo

- a. Per accendere il dispositivo, premere l'interruttore on/off **(6)**. Durante il lavoro, è necessario tenere premuto l'interruttore on/off. Applicare solo una pressione minima (piccolo movimento di spostamento) sul dispositivo durante il lavoro. Spingere in avanti il dispositivo in modo leggero e uniforme.
- b. Premere nuovamente l'interruttore on/off per spegnere il dispositivo.

## 6. Manutenzione, pulizia e immagazzinamento

Mantenere il dispositivo e gli accessori in buono stato e puliti in modo da poter lavorare in sicurezza.

Prima di intervenire sul dispositivo, estrarre sempre la batteria.

Se le setole della spazzola si deformano a causa del trasporto dell'immagazzinamento errato, immergere la spazzola per 30 secondo in acqua bollente (90 °C). Le setole riacquisteranno la loro forma originaria.

### 6.1 Manutenzione

Non sono presenti parti interne dell'utensile che richiedono manutenzione.

### 6.2 Pulizia

- Tenere i dispositivi di sicurezza, aperture di ventilazione e la carcassa del motore il più possibile liberi da sporco e polvere. Strofinare l'utensile elettrico con un panno pulito o soffiare su di esso con aria compressa a bassa pressione.
- Si consiglia di pulire l'utensile elettrico immediatamente dopo l'uso.
- Pulire l'utensile elettrico regolarmente con un panno umido e un sapone delicato. Assicurarsi che l'acqua non possa entrare all'interno dell'utensile elettrico.

### 6.3 Conservazione

- Pulire il dispositivo prima di riporlo.
- Prima di riporre il dispositivo, ispezionare tutte le parti per assicurarsi che non siano danneggiate.
- Conservare il dispositivo in un ambiente interno asciutto e al riparo da polvere, sporco e temperature estreme.

## 7. Dati tecnici

Tensione batteria:	18 V Li-Ion
Velocità senza carico (Ø100/180 mm):	200/400 min <sup>-1</sup>
Peso prodotto senza accessori:	4,15 kg
Livello di pressione sonora $L_{pA}$ :	63,5 dB(A)
Incertezza $K_{pA}$ :	3,0 dB(A)
Livello di potenza sonora $L_{WA}$ :	75,85 dB(A)
Incertezza $K_{WA}$ :	3,0 dB(A)
Vibrazione mano/braccio maniglia anteriore:	0,54 m/s <sup>2</sup>
maniglia posteriore:	0,56 m/s <sup>2</sup>
Incertezza K:	1,5 m/s <sup>2</sup>

### 7.1 Livello di vibrazione

Il valore di vibrazione totale dichiarato e i valori di emissione sonora dichiarati sono stati misurati secondo una procedura di prova standardizzata (EN 62841) e possono essere utilizzati per confrontare tra di loro i diversi elettrodomestici. Inoltre, possono essere utilizzati anche per una valutazione preliminare del carico.

#### Avvertimento!

Le vibrazioni e le emissioni di rumore durante l'uso effettivo dell'elettrodomestico possono differire dai valori indicati a seconda del modo in cui viene utilizzato l'elettrodomestico e, in particolare, a seconda del tipo di pezzo da lavorare.

È necessario stabilire misure di sicurezza per proteggere l'operatore sulla base di una stima del carico vibrazionale in condizioni reali di utilizzo (tenendo conto di tutte le parti del ciclo operativo, come i periodi in cui l'utensile elettrico è spento e i periodi in cui è acceso ma senza carico).

Cercare di mantenere al minimo l'esposizione alle vibrazioni e al rumore. Gli esempi di misure per ridurre le vibrazioni includono l'uso di guanti durante l'uso dell'utensile, la limitazione del tempo di lavoro e l'uso di accessori in buone condizioni.

## 8. Accessorio - disponibile opzionalmente

Articolo Cod. articolo:

**Spazzola dura (grigio) 7064253**

Setola spessa e rigida per i punti difficili  
Perfetta per piastrelle (ceramica) per interni ed esterni, mobili in legno da giardino, coperte di legno, pareti, porte per garage e altro ancora

**Spazzola media (blu) 7064252**

Setole di medio spessore per la pulizia generale  
Perfetta per imbarcazioni, piastrelle (ceramica) per interni ed esterni, mobili in legno da giardino, coperte di legno, pareti, pavimenti e altro ancora

**Spazzola morbida (nera) 7064251**

Setole morbide per superfici sensibili  
Perfetta imbarcazioni, roulotte/camper, piastrelle, superfici di metallo, camper e altro ancora

## 9. Smaltimento



**Non smaltire gli utensili elettrici con i normali rifiuti domestici.**

■ L'utensile elettrico viene spedito in una confezione per ridurre i danni dovuti al trasporto. Questo imballaggio è una materia prima e come tale può o essere riutilizzata o può essere reimmessa nel ciclo delle materie prime. L'utensile elettrico e i relativi accessori sono realizzati in vari materiali come metalli e plastiche. Portare i componenti difettosi a un punto di raccolta dei rifiuti. Chiedete informazioni su questi punti di raccolta al vostro negozio specializzato o Comune. Il prodotto e il manuale dell'utente possono essere soggetti a modifiche. I dati tecnici possono essere modificati senza preavviso.

### 9.1 Batterie

Smaltire le batterie rispettando le norme di protezione ambientale. Contattare le autorità locali per sapere dove si trova il centro di smaltimento batterie più vicino.

Non smaltire le batterie con i rifiuti domestici.

Non smaltire le batterie bruciandole, altrimenti potrebbero esplodere.

## 10. Dichiarazione di conformità CE

Noi sottoscritti **Batavia B.V., Weth. Wassebaliestraat 6d, NL-7951 SN Staphorst** dichiara, sotto la sua piena responsabilità, che il **Spazzola rotante a batteria, modello BT-CBT003, numero articolo 7064924** soddisfa i requisiti essenziali definiti nelle Direttive europee **2006/42/CE** (Direttiva Macchine), **2014/30/UE** (CEM), **2011/65/UE** (RoHS) e relativi emendamenti. Per la valutazione di conformità, sono stati consultati i seguenti standard armonizzati europei:

**EN 62841-1:2015+AC:15**

**EN IEC 62841-2-3:2021+A11:2021**

**EN ISO 12100:2010**

**AfPS GS 2019:01**

**EN IEC 55014-1:2021**

**EN IEC 55014-2:2021**

**2006/42/EC, 2014/30/EU, 2011/65/EU**

Staphorst, 05 Août 2024

Jin Min, Rappresentante QA  
Batavia B.V., Weth. Wassebaliestraat 6d,  
7951 SN Staphorst, Paesi Bassi

Il prodotto e il manuale dell'utente possono essere soggetti a modifiche. I dati tecnici possono essere modificati senza preavviso.

## Estimado cliente:

Familiarícese con el uso adecuado del aparato leyendo todos los capítulos de este manual en el orden en el que se presentan. Conserve estas instrucciones para poder consultarlas con posterioridad.

**¡Lea el documento «Instrucciones generales de seguridad en materia de herramientas eléctricas» adjunto y todas las instrucciones de seguridad adicionales en estas instrucciones de uso!**

Esta manual contiene información importante acerca de cómo operar y manipular el aparato. Conserve estas instrucciones para poder consultarlas con posterioridad. Si le cede el aparato a un tercero, entréguele también este manual.

**¡La batería y el cargador no se incluyen!**

Las baterías y cargadores Maxxpack están disponibles en línea y en las tiendas participantes.

## 1. Explicación de los símbolos

Los símbolos siguientes aparecen en el manual de usuario o en el producto:



*¡Advertencia! Lea el manual de instrucciones para reducir el riesgo de lesiones personales.*



*Indica el riesgo de lesiones personales, muerte o daño de la herramienta en caso de no observar las instrucciones recogidas en este manual.*



*Utilice protectores oculares.*



*El marcado CE (siglas de Conformidad Europea) es indicativo de que se cumple con las normativas de la UE. Con el marcado CE, el fabricante confirma que esta herramienta eléctrica cumple con las directivas europeas aplicables.*



*No deseche las herramientas eléctricas junto a los residuos domésticos.*

## 2. Advertencias de seguridad adicionales



Lea detenidamente este manual y solo use la unidad de conformidad con este.

- a. El dispositivo debe emplearse conforme a lo previsto. Durante el trabajo con el dispositivo tenga en cuenta las circunstancias locales y tenga cuidado con las personas cerca de usted.
- b. Compruebe si el dispositivo presenta daños antes de usarlo y no emplee un dispositivo defectuoso. Si el dispositivo estuviera dañado, no lo use y encargue su reparación a un especialista o póngase en contacto con nuestro servicio de atención al cliente. No desarme el dispositivo y no intente repararlo por su cuenta.
- c. El dispositivo no debe ser manejado por niños o personas que no hayan recibido una instrucción adecuada.
- d. Este dispositivo puede ser empleado por personas con sus capacidades físicas, sensoriales o intelectuales mermadas o carentes de conocimientos y experiencia, si están bajo supervisión o son instruidas sobre cómo emplear el dispositivo de forma segura y entender los peligros relacionados con el mismo. Los niños no deben jugar con el dispositivo.
- e. Está prohibido que los niños realicen tareas de limpieza y mantenimiento sin vigilancia.
- f. Mantenga a los niños vigilados para que no jueguen con el dispositivo.
- g. Sujete el dispositivo bien y firmemente al encenderlo.
- h. El dispositivo no debe emplearse en zonas explosivas.
- i. Utilice siempre protección ocular.
- j. Este dispositivo es apto para su uso en interiores y exteriores, pero no debe emplearse bajo la lluvia.
- k. Asegúrese de que el accesorio del cepillo se haya instalado correctamente antes de usarlo.

- l. No presione el cepillo en espacios estrechos durante el uso.
- m. No toque ninguna pieza en rotación, mientras el dispositivo se esté empleando.

### 3. Contenido del embalaje

- 1x Twin brush - cepillo con batería (unidad del motor y unidad de alimentación eléctrica)
- 1x asidero adicional incl. material de fijación
- 1x cepillo mediano (pieza interior y exterior del cepillo)
- 1x manual de instrucciones

### 4. Antes del primer uso

- Retire el aparato y todas las piezas adicionales del paquete.
- Compruebe que las piezas no se hayan dañado durante el transporte; en caso contrario, no utilice el aparato.
- Mantenga el material de embalaje fuera del alcance de los niños. ¡Dicho material entraña un riesgo de asfixia!

#### 4.1 Ajuste de altura

- Lleve el tubo a la longitud deseada aflojando el ajuste de altura **(1)**. Cambie la longitud del tubo y luego apriete el ajuste de altura nuevamente.

### 5. Uso conforme al fin previsto

El producto ha sido diseñado para limpiar superficies en interiores y exteriores en entornos privados. El producto puede emplearse en seco o con agua. No ha sido diseñado para su uso comercial continuado.

El uso conforme al fin previsto incluye también el cumplimiento del manual.

Cualquier uso que lo exceda (otros medios, aplicación de violencia) o la modificación por cuenta propia (remodelación, uso de accesorios no originales) puede dar lugar a peligros y se considera no conforme a lo previsto.

Emplee únicamente accesorios recomendados por el proveedor.

#### 5.1 Montaje/cambio del cepillo

- a. Bloquee el eje con el botón de bloqueo del eje **(9)** y atornille la pieza exterior del

cepillo **(8)** en sentido horario (véase **fig. C**).

- b. Coloque la pieza interior del cepillo **(7)** y bloquéela en sentido antihorario.
- c. Para soltarla desbloquee y retire la pieza interior del cepillo en sentido horario.
- d. Bloquee el eje con el botón de bloqueo del eje **(9)** y desenrosque la parte exterior del cepillo en dirección contraria a las agujas del reloj.

#### 5.2 Ajuste del ángulo de inclinación del cepillo

El cabezal no debe fijarse si el dispositivo se va a emplear sobre el suelo. Así el cabezal podrá desplazarse junto con la superficie a limpiar.

Fije el cabezal únicamente si el dispositivo se emplea por encima de la altura de los hombros.

- a. Despliegue la palanca de bloqueo **(16)** completamente (véase **fig. F**).
- b. Ajuste la inclinación del cepillo conforme a las necesidades individuales y fíjela plegando la palanca de bloqueo.

No ejerza una fuerza excesiva al cerrar la palanca de bloqueo. Si la palanca de bloqueo no se cierra correctamente, ajuste la inclinación del cepillo ligeramente.

#### 5.3 Ajuste del asidero adicional

- a. Afloje el tornillo de fijación **(2)**. (véase **fig. E, F**)
- b. Ajuste la posición del asidero adicional **(3)** según sus necesidades y vuelva a apretar el tornillo de fijación.

#### 5.4 Trabajar con el dispositivo

- a. Para encender el dispositivo, presione el botón conexión/desconexión **(6)**. No es necesario mantener pulsado el botón conexión/desconexión durante el trabajo. Ejerza siempre solo una presión mínima (ligero movimiento de avance) sobre el dispositivo, mientras trabaja. Desplace el dispositivo hacia delante de forma suave y uniforme.
- b. Para apagarlo presione el botón conexión/desconexión de nuevo.

## 6. Mantenimiento, limpieza y almacenamiento

Mantenga el dispositivo y los accesorios limpios y en buen estado para poder trabajar bien y con seguridad.

Retirar la batería del dispositivo antes de realizar cualquier trabajo.

Sumerja el cepillo durante 30 segundos en agua caliente (90 °C) si sus cerdas se han deformado debido al transporte o un almacenamiento erróneo. Las cerdas recobrarán su forma original.

### 6.1 Mantenimiento

Ninguna parte interna de la herramienta requiere mantenimiento.

### 6.2 Limpieza

- Mantenga los dispositivos de seguridad, las aberturas de ventilación y la carcasa del motor en el mejor estado de limpieza posible, esto es, deben estar libres de sucio y polvo. Para ello, utilice aire comprimido a baja presión y un paño limpio.
- Le recomendamos limpiar su herramienta eléctrica inmediatamente después de cada uso.
- Limpie la herramienta eléctrica regularmente con un paño humedecido con agua jabonosa (utilice únicamente detergentes suaves). Asegúrese de que el agua no penetre en el interior de la herramienta.

### 6.3 Almacenamiento

- Limpie el aparato antes de guardarlo.
- Antes de guardarlo, compruebe que no haya ningún daño.
- Guarde el aparato en un espacio interior seco y protegido del polvo, el sucio y las temperaturas extremas.

## 7. Datos técnicos

Voltaje de la batería:	18 V Li-Ion
Velocidad sin carga (∅100/180 mm):	200/400 min <sup>-1</sup>
Peso del producto sin accesorios:	2,2 kg
Nivel de presión sonora (L <sub>pA</sub> ):	63,5 dB(A)
Incertidumbre (K <sub>pA</sub> ):	3,0 dB(A)
Nivel de potencia acústica (L <sub>WA</sub> ):	75,85 dB(A)
Incertidumbre (K <sub>WA</sub> ):	3,0 dB(A)
Vibración transmitida al sistema mano-brazo	
manija delantera:	0,54 m/s <sup>2</sup>
manija trasera:	0,56 m/s <sup>2</sup>
Incertidumbre (K):	1,5 m/s <sup>2</sup>

### 7.1 Nivel de vibración

El valor de oscilación total y los valores de emisión acústica indicados han sido medidos de conformidad con un método de prueba normalizado (EN 62841) y pueden emplearse para comparar una herramienta eléctrica con otra. También se pueden emplear para realizar una estimación provisional de la carga.

#### ¡Advertencia!

Las emisiones de vibraciones y sonoras pueden diferir de los valores indicados durante el uso real de la herramienta eléctrica, dependiendo de la forma en la que se emplee la herramienta eléctrica, y, especialmente, del tipo de pieza de trabajo procesado. Es necesario determinar medidas de seguridad para proteger al usuario que estén basadas en una evaluación de la carga por oscilación durante las condiciones de uso reales (aquí deben tenerse en cuenta todas las partes del ciclo de funcionamiento, como, por ejemplo, los tiempos, en los que la herramienta eléctrica está desconectada y aquellos en los que está conectada, pero funciona sin carga). Intente reducir al mínimo posible la carga derivada de las vibraciones y los ruidos. Las medidas para reducir la carga por vibraciones incluyen, por ejemplo, el empleo de guantes durante el uso de la herramienta, la limitación del

tiempo de trabajo y el uso de accesorios en buen estado.

## 8. Accesorios - disponibles opcionalmente

### Artículo

Art Nº:

#### Cepillo duro (gris)

7064253

Pelo grueso y fuerte para zonas difíciles  
Ideal para azulejos y baldosas (de cerámica) en interiores y exteriores, muebles de madera de exterior, techos de madera, paredes, puertas de garajes y mucho más

#### Cepillo medio (azul)

7064252

Pelos de grosor medio para la limpieza general  
Ideal para botes, azulejos y baldosas (de cerámica) en interiores y exteriores, muebles de madera de exterior, techos de madera, paredes, suelos y mucho más

#### Cepillo blando (negro)

7064251

Pelos suaves para superficies delicadas  
Ideal para botes, caravanas, baldosas, azulejos, superficies de metal y mucho más

## 9. Eliminación



*No deseche las herramientas eléctricas junto a los residuos domésticos.*

El embalaje en el que se envía esta herramienta reduce los daños debidos al transporte. El material de embalaje en cuestión es una materia prima que se puede reutilizar o reciclar. La herramienta eléctrica y sus accesorios están fabricados con diferentes materiales como metales y plástico. Lleve los componentes defectuosos a un punto de recogida de residuos especiales. Puede consultar con el vendedor o su ayuntamiento al respecto. Tanto el producto como el manual de usuario están sujetos a cambios. Los datos técnicos pueden cambiar sin previo aviso.

### 9.1 Baterías

Piense en el medioambiente al desechar las baterías. Póngase en contacto con las autoridades locales para saber dónde se encuentra el punto de recogida más cercano para este tipo de residuos.

No deseche las baterías junto a los residuos domésticos.

No elimine las baterías quemándolas, ya que esto entraña un riesgo de explosión.

## 10. Declaración CE de conformidad

Nosotros, **Batavia B.V., con domicilio social en Weth. Wassebaliestraat 6d, NL-7951 SN Staphorst**, declaramos bajo nuestra propia responsabilidad que el **Cepillo rotativo de limpieza de batería, modelo BT-CBT003, n.º de artículo 7064924**, cumple con los requisitos básicos recogidos en la Directiva **2006/42/EU** del Parlamento Europeo y del Consejo relativa a las máquinas, la Directiva **2014/30/UE** relativa a la compatibilidad electromagnética y la Directiva **2011/65/EU** sobre restricciones a la utilización de determinadas sustancias peligrosas en aparatos eléctricos y electrónicos (también conocida como RoHS) y sus enmiendas. Para la evaluación del cumplimiento normativo se consultaron las siguientes normas armonizadas:

**EN 62841-1:2015+AC:15**

**EN IEC 62841-2-3:2021+A11:2021**

**EN ISO 12100:2010**

**AfPS GS 2019:01**

**EN IEC 55014-1:2021**

**EN IEC 55014-2:2021**

**2006/42/EC, 2014/30/EU, 2011/65/EU**

Staphorst, 05 de Agosto de 2024

Jin Min, representante de Aseguramiento de la Calidad de Batavia B.V.,  
Weth. Wassebaliestraat 6d,  
7951 SN Staphorst, Países Bajos

Tanto el producto como el manual de usuario están sujetos a cambios. Los datos técnicos pueden cambiar sin previo aviso.

## Estimado cliente,

Familiarize-se com a utilização adequada do dispositivo através da leitura e cumprimento de cada capítulo deste manual, pela ordem apresentada. Guarde estas instruções de utilização para consulta futura.

### Leia as "Instruções gerais de segurança para ferramentas elétricas" e todas as instruções de segurança adicionais neste manual!

Este manual contém informações importantes sobre a utilização e manuseamento do dispositivo. Guarde estas instruções de utilização para consulta futura. Entregue-as juntamente com a unidade caso empreste o equipamento a terceiros.

### Bateria e carregador não incluídos!

As baterias e carregadores Maxxpack estão disponíveis online e nas lojas participantes.

## 1. Explicação dos símbolos

O seguintes símbolos são utilizados no manual do utilizador ou no produto:



*Aviso! Para reduzir o risco de lesões, o utilizador deve ler o manual de instruções.*



*Indica risco de lesões corporais, morte ou danos no equipamento no caso de não observância das instruções neste manual.*



*Utilize proteção ocular.*



*"CE" significa "Conformidade Europeia", o que indica "em conformidade com a regulamentação da UE". Com a marcação CE, o fabricante confirma que esta ferramenta elétrica cumpre com as diretivas europeias aplicáveis.*



*Não elimine as ferramentas elétricas juntamente com os resíduos domésticos.*

## 2. Avisos de segurança adicionais



Leia este manual atentamente e utilize a unidade apenas de acordo com as instruções aqui contidas.

- a. O aparelho tem de ser utilizado como previsto. Ao trabalhar com o aparelho, preste atenção às condições locais e a outras pessoas nas proximidades.
- b. Antes de utilizar o aparelho, verifique se este apresenta danos e não o utilize caso esteja danificado. Se o aparelho estiver danificado, não o utilize e mande repará-lo por um profissional ou contacte o nosso serviço de assistência ao cliente. Não desmonte o aparelho nem tente repará-lo sozinho.
- c. O aparelho não pode ser operado por crianças ou pessoas que não tenham sido devidamente instruídas.
- d. Este aparelho pode ser utilizado por pessoas com capacidades físicas, sensoriais ou mentais limitadas ou com falta de experiência e conhecimentos, se forem vigiadas ou tiverem sido instruídas relativas ao uso do aparelho de uma forma segura e compreenderem os riscos envolvidos. As crianças não devem brincar com o aparelho.
- e. Não é permitido às crianças realizar a limpeza e a manutenção sem supervisão.
- f. Vigie as crianças para que não brinquem com o aparelho.
- g. Segure o aparelho com firmeza e segurança ao ligá-lo.
- h. O aparelho não pode ser operado em áreas potencialmente explosivas.
- i. Use sempre proteção ocular.
- j. Este aparelho é adequado para uso em interiores e exteriores, mas não pode ser utilizado à chuva.
- k. Certifique-se de que o acessório da escova está corretamente instalado antes de utilizar o aparelho.
- l. Não pressione a escova contra espaços apertados durante a utilização.
- m. Não toque em nenhuma peça rotativas quando o aparelho estiver a ser utilizado.

### 3. Conteúdo da embalagem

- 1x Twin brush - Escova com bateria (unidade do motor e fonte de alimentação)
- 1x punho lateral, incl. material de fixação
- 1x escova média (parte exterior e interior da escova)
- 1x manual de operação

### 4. Antes da primeira utilização

- Retire o dispositivo e todas as peças adicionais da sua embalagem.
- Verifique se as peças foram danificadas durante o transporte e não utilize um dispositivo danificado.
- Mantenha os materiais de embalagem fora do alcance das crianças. Risco de asfixia!

#### 4.1 Ajuste de altura

- Leve o tubo ao comprimento desejado afrouxando o ajuste de altura (1). Altere o comprimento do tubo e aperte novamente o ajuste de altura.

### 5. Utilização adequada

O produto foi projetado para limpar superfícies internas e externas em ambientes privados. O produto pode ser utilizado em seco ou com água. Não foi projetado para uso comercial continuado. O uso conforme o previsto inclui também o cumprimento do manual. Qualquer uso que exceda (outros meios, aplicação de violência) ou modificação por conta própria (remoderação, uso de acessórios não originais) pode causar riscos e ser considerado não conforme ao previsto. Utilize apenas acessórios recomendados pelo fornecedor.

#### 5.1 Montar/trocar a escova

- a. Bloqueie o eixo com o botão de bloqueio do eixo (9) e enrosque a parte exterior da escova (8) no sentido dos ponteiros do relógio (ver fig. C).
- b. Encaixe a parte interior da escova (7) e bloqueie-a no sentido contrário ao dos ponteiros do relógio.
- c. Para soltar a parte interior da escova, desbloqueie e rode no sentido dos ponteiros do relógio.

- d. Bloqueie o eixo com o botão de trava do eixo (9) e desenrosque a parte exterior da escova no sentido anti-horário.

#### 5.2 Ajuste o ângulo de inclinação da escova

Ao usar o aparelho no chão, a cabeça não deve ficar fixa. A cabeça pode então mover-se juntamente com a superfície a ser limpa.

Fixe a cabeça apenas quando usar o aparelho acima da altura dos ombros.

- a. Abra a alavanca de bloqueio (16) completamente (ver fig. F).
- b. Ajuste a inclinação da escova de acordo com as necessidades individuais e fixe-a, fechando a alavanca de bloqueio. Não aperte a alavanca de bloqueio com muita força. Se a alavanca de bloqueio não fechar corretamente, ajuste ligeiramente a inclinação da escova.

#### 5.3 Ajustar o punho lateral

- a. Solte o parafuso de bloqueio (2) (ver fig. E, F)
- b. Ajuste a posição do punho lateral (3) às suas necessidades e aperte novamente o parafuso de bloqueio.

#### 5.4 Realização de trabalhos com o aparelho

- a. Pressione o interruptor ligar/desligar (6) para ligar o aparelho. Não é necessário segurar o interruptor ligar/desligar enquanto trabalha. Aplique uma pressão mínima (movimento de avanço ligeiro) no aparelho quando estiver a trabalhar. Empurre o aparelho para a frente de forma suave e uniforme.
- b. Volte a pressionar o interruptor ligar/desligar para desligar o aparelho.

### 6. Manutenção, limpeza e armazenamento

Mantenha o aparelho e os acessórios limpos e em boas condições para trabalhar bem e em segurança.

Remova a bateria do aparelho antes de todos os trabalhos.

Se as cerdas da escova estiverem deformadas devido ao transporte ou ao armazenamento incorreto, submerja a escova em água quente (90 °C) durante 30 segundos. As cerdas recuperarão a sua forma original.

### 6.1 Manutenção

Não existem quaisquer peças internas que necessitem de manutenção.

### 6.2 Limpeza

- Mantenha os dispositivos de segurança, os orifícios de ventilação e a caixa do motor o mais limpos possível (de sujidade e pó). Limpe a ferramenta elétrica com um pano limpo ou sobre-a com um equipamento de ar comprimido de baixa pressão.
- Recomendamos a limpeza da sua ferramenta elétrica imediatamente após cada utilização.
- Limpe a ferramenta elétrica regularmente com um pano húmido e algum sabão suave. Certifique-se de que a água não penetra no interior da ferramenta elétrica.

### 6.3 Armazenamento

- Limpe o dispositivo antes de o guardar.
- Antes do armazenamento, verifique todas as peças e veja se não têm danos.
- Guarde o dispositivo no interior, num local seco protegido de pó, sujidade e temperaturas extremas.

## 7. Dados técnicos

Tensão da bateria:	18 V Li-Ion
Velocidade sem carga (∅100/180 mm):	200/400 min <sup>-1</sup>
Peso do produto sem acessórios:	2,2 kg
Nível de pressão sonora $L_{pA}$ :	63,5 dB(A)
Incerteza $K_{pA}$ :	3,0 dB(A)
Nível de potência sonora $L_{WA}$ :	75,85 dB(A)
Incerteza $K_{WA}$ :	3,0 dB(A)
Vibração transm. mão-braço cabo frontal:	0,54 m/s <sup>2</sup>
pega traseira:	0,56 m/s <sup>2</sup>
Incerteza K:	1,5 m/s <sup>2</sup>

### 7.1 Nível de vibração

O valor total de vibrações indicado e os valores de emissão de ruído indicados foram medidos de acordo com um método de teste normalizado (EN 62841) e podem ser utilizados para realizar a comparação entre ferramentas elétricas. Estes podem também ser utilizados para a realização de uma avaliação preliminar da exposição.

#### Advertência!

As emissões de vibração e ruído durante a utilização efetiva da ferramenta elétrica podem divergir dos valores indicativos, dependendo da forma como a ferramenta elétrica é utilizada, em particular do tipo de peça de trabalho que se encontra em processamento.

É necessário definir medidas de segurança para a proteção do utilizador, baseadas numa avaliação da carga vibratória durante as efetivas condições de utilização (aqui devem ser consideradas todas as fases do ciclo de funcionamento, por exemplo, tempos durante os quais a ferramenta elétrica está desligada e aqueles durante os quais está ligada mas a funcionar sem carga).

Tente minimizar a exposição às vibrações e ao ruído ao mínimo. As medidas para reduzir a exposição às vibrações incluem, por exemplo, o uso de luvas durante a utilização da ferramenta, a limitação do tempo de trabalho e a utilização de acessórios em boas condições.

## 8. Acessório - opcionalmente disponível

### Artigo

Nº do artigo:

#### Escova dura (cinza)

7064253

Cerdas espessas e resistentes para áreas difíceis

Perfeita para ladrilhos (cerâmica) no interior e no exterior, móveis de madeira no exterior, decks de madeira, paredes, portões de garagem, etc.

#### Escova média (azul)

7064252

Cerdas de média resistência para limpeza geral

Perfeita para barcos, ladrilhos (cerâmica) no interior e no exterior, móveis de madeira no exterior, decks de madeira, paredes, pavimentos, etc.

#### Escova macia (preta)

7064251

Cerdas macias para superfícies delicadas

Perfeita para barcos, caravanas/ autocaravanas, ladrilhos, superfícies metálicas, etc.

## 9. Eliminação



*Não elimine as ferramentas elétricas juntamente com os resíduos domésticos.*

Esta ferramenta elétrica é expedida numa embalagem para minimizar os danos de transporte. Esta embalagem é uma matéria-prima e, como tal, pode ser reutilizada ou reintroduzida no respetivo ciclo. Esta ferramenta elétrica e os seus acessórios são feitos de vários materiais, tais como metais e plásticos. Leve as peças defeituosas para um ponto de recolha especial. Coloque as suas questões a este respeito numa loja da especialidade ou autoridade local. O produto e o manual do utilizador podem ser sujeitos a alterações. Os dados técnicos podem ser alterados sem aviso prévio.

### 9.1 Bateria

Pense no ambiente sempre que eliminar baterias. Contacte as autoridades locais para saber a localização da área de eliminação de resíduos mais próxima.

Não elimine as baterias juntamente com os resíduos domésticos.

Não elimine a bateria queimando-a - risco de explosão.

## 10. Declaração de conformidade CE

Nós, **Batavia B.V., Weth. Wassebaliestraat 6d, NL-7951 SN Staphorst**, declaramos sob a nossa responsabilidade que o produto **Escova de Limpeza a bateria, Modelo BT-CBT003, Item n.º 7064924** está de acordo com os requisitos básicos definidos nas Diretivas Europeias **2006/42/CE** (relativa às máquinas), **2014/30/UE** (relativa à compatibilidade eletromagnética, CEM), **2011/65/UE** (relativa à restrição do uso de determinadas substâncias perigosas em equipamentos elétricos e eletrónicos) e respetivas alterações. Para a avaliação de conformidade, foram consultadas as seguintes normas harmonizadas: **EN 62841-1:2015+AC:15**, **EN IEC 62841-2-3:2021+A11:2021**, **EN ISO 12100:2010**, **AfPS GS 2019:01**, **EN IEC 55014-1:2021**, **EN IEC 55014-2:2021**, **2006/42/EC, 2014/30/EU, 2011/65/EU**

Staphorst, 05 de Agosto de 2024

Jin Min, QA Representative  
Batavia B.V., Weth. Wassebaliestraat 6d,  
7951 SN Staphorst, Países Baixos

O produto e o manual do utilizador podem ser sujeitos a alterações. Os dados técnicos podem ser alterados sem aviso prévio.

## Szanowny Kliencie!

Prosimy o zapoznanie się z prawidłowym użyciem urządzenia poprzez przeczytanie każdego z poniższych rozdziałów instrukcji, w podanej kolejności. Zachować instrukcję obsługi do wykorzystania w przyszłości.

### Prosimy o przeczytanie załączonych „Ogólnych zaleceń dotyczących bezpieczeństwa dla narzędzi zasilanych elektrycznie” oraz dodatkowych zaleceń bezpieczeństwa zawartych w niniejszej instrukcji obsługi!

Niniejsza instrukcja zawiera najważniejsze informacje dotyczące bezpiecznej obsługi i korzystania z urządzenia. Zachować instrukcję obsługi do wykorzystania w przyszłości. Prosimy o dołączenie instrukcji do urządzenia w przypadku przekazywania urządzenia innej osobie.

### Akumulator i ładowarka nie wchodzi w skład zestawu!

Akumulatory i ładowarki Maxxpack są dostępne online oraz w sklepach partnerskich.

## 1. Objaśnienie symboli

W instrukcji obsługi lub na produkcie stosowane są następujące symbole:



**Ostrzeżenie!** W celu zredukowania ryzyka obrażeń użytkownik musi przeczytać instrukcję obsługi.



Oznacza ryzyko obrażeń ciała, śmierci lub uszkodzenia narzędzia w przypadku nieprzestrzegania zaleceń zawartych w niniejszej instrukcji.



Stosować ochronę oczu.



CE jest skrótem od „Conformité Européenne”, co oznacza „Zgodne z przepisami UE”. Za pomocą znaku CE producent potwierdza, że niniejsze elektronarzędzie spełnia wymagania obowiązujących dyrektyw UE.



Nie należy utylizować elektronarzędzi z odpadami domowymi.

## 2. Dodatkowe zalecenia dotyczące bezpieczeństwa



Prosimy o uważne przeczytanie niniejszej instrukcji oraz używanie urządzenia wyłącznie zgodnie z niniejszą instrukcją.

- Urządzenie musi być używane zgodnie z przeznaczeniem. Podczas pracy urządzeniem zwracaj uwagę na warunki lokalne i inne osoby znajdujące się w pobliżu.
- Przed użyciem sprawdź, czy urządzenie nie jest uszkodzone. Nie używaj uszkodzonego urządzenia. Jeśli urządzenie jest uszkodzone, nie używaj go i zleć jego naprawę specjalście lub skontaktuj się z naszym serwisem. Nie demontuj urządzenia i nie próbuj go naprawiać samodzielnie.
- Urządzenia nie wolno obsługiwać dzieciom ani osobom, które nie zostały odpowiednio poinstruowane.
- Urządzenia mogą używać osoby o ograniczonych zdolnościach fizycznych, sensorycznych lub umysłowych, a także osoby nieposiadające doświadczenia i wiedzy, jeżeli użytkowanie odbywa się pod nadzorem lub zostały one poinstruowane w zakresie bezpiecznego użytkowania urządzenia i rozumieją związane z tym zagrożenia. Dzieciom nie wolno bawić się urządzeniem.
- Dzieciom nie wolno przeprowadzać czyszczenia i konserwacji bez nadzoru.
- Dopilnuj, aby dzieci nie bawiły się urządzeniem.
- Podczas włączania trzymaj urządzenie mocno i pewnie.
- Urządzenia nie wolno stosować w miejscach, w których istnieje zagrożenie wybuchem.
- Zawsze stosuj ochronę oczu.
- Urządzenie jest przeznaczone do użytku wewnątrz i na zewnątrz pomieszczeń, ale nie wolno go używać w czasie deszczu.

- k. Przed użyciem upewnij się, że elementy wyposażenia szczotki są prawidłowo zamontowane.
- l. Podczas użytkowania nie należy wciskać szczotki w wąskie szczeliny.
- m. Podczas pracy urządzenia nie dotykaj wirujących części.

### 3. Zawartość opakowania

- 1x Twin brush – szczotka akumulatorowa (jednostka silnika i jednostka zasilająca)
- 1x dodatkowy uchwyt wraz z materiałami mocującymi
- 1x szczotka średnia (zewnątrzna i wewnętrzną część szczotki)
- 1x instrukcja obsługi

### 4. Przed pierwszym użyciem

- Wyjąć urządzenie i wszystkie dodatkowe podzespoły z opakowania.
- Sprawdzić wszystkie elementy pod kątem uszkodzeń powstałych w czasie transportu i nie używać uszkodzonego urządzenia.
- Elementy opakowania należy przechowywać w miejscu niedostępnym dla dzieci. Ryzyko uduszenia!

#### 4.1 Regulacja wysokości

- Doprowadzić rurę do żądanej długości poprzez poluzowanie regulacji wysokości (1). Zmień długość rury, a następnie ponownie dokręć regulację wysokości.

### 5. Użytkowanie zgodne z przeznaczeniem

Produkt jest przeznaczony do czyszczenia powierzchni we wnętrzach i na zewnątrz budynków na terenach prywatnych. Produkt można stosować na sucho lub z użyciem wody. Nie jest on przeznaczony stałego użytku komercyjnego.

Zastosowanie zgodne z przeznaczeniem obejmuje również przestrzeganie niniejszej instrukcji.

Każde zastosowanie wykraczające poza ten zakres (inne media, użycie siły) lub samowolna modyfikacja (przebudowa, brak oryginalnych elementów wyposażenia)

może spowodować zagrożenie i jest uważane za niewłaściwe użycie.

Używaj wyłącznie elementów wyposażenia zalecanych przez dostawcę.

#### 5.1 Montaż / wymiana szczotki

- a. Zablockuj wał za pomocą przycisku blokującego wał (9) i przykręć zewnętrzną część szczotki (8) zgodnie z ruchem wskazówek zegara (patrz rys. C).
- b. Włóż wewnętrzną część szczotki (7) i zablockuj ją w kierunku przeciwnym do ruchu wskazówek zegara.
- c. Aby zdemontować, odblokuj wewnętrzną część szczotki w kierunku zgodnym z ruchem wskazówek zegara i wyjmij ją.
- d. Zablockuj wał za pomocą przycisku blokady wału (9) i odkręć zewnętrzną część szczotki w kierunku przeciwnym do ruchu wskazówek zegara.

#### 5.2 Regulacja kąta nachylenia szczotki

W przypadku stosowania urządzenia na podłodze głowica nie powinna być zablokowana. Głowica może się wtedy poruszać odpowiednio do czyszczonej powierzchni. Zablockuj głowicę tylko wówczas, jeśli używasz urządzenia na wysokości powyżej ramion.

- a. Odchyl całkowicie dźwignię blokującą (16) (patrz rys. F).
- b. Dopasuj nachylenie szczotki do indywidualnych potrzeb i zablockuj ją, zamykając dźwignię blokującą. Nie naciskaj dźwigni blokującej z dużą siłą. Jeżeli dźwignia blokująca nie zamyka się prawidłowo, lekko zmień nachylenie szczotki.

#### 5.3 Regulacja dodatkowego uchwytu

- a. Poluzuj śrubę blokującą (2). (patrz rys. E, F)
- b. Dostosuj położenie dodatkowego uchwytu (3) do własnych potrzeb i ponownie dokręć śrubę blokującą.

#### 5.4 Praca z urządzeniem

- a. Aby włączyć urządzenie, naciśnij włącznik/wyłącznik (6). Podczas pracy nie trzeba trzymać włącznika/wyłącznika.

Podczas pracy wywieraj tylko minimalny nacisk na urządzenie (lekki ruch posuwisty). Przesuwaj urządzenie delikatnie i równomiernie do przodu.

- b. Aby wyłączyć urządzenie, ponownie naciśnij włącznik/wyłącznik.

## 6. Konserwacja, czyszczenie i przechowywanie

Utrzymuj urządzenie i elementy wyposażenia w dobrym stanie technicznym i czystości, aby zapewnić jego prawidłowe i bezpieczne działanie.

Przed przystąpieniem do jakichkolwiek prac przy urządzeniu należy wyjąć z niego akumulator.

Jeżeli włosie szczotki uległo deformacji w wyniku transportu lub nieprawidłowego przechowywania, zanurz szczotkę na 30 sekund w gorącej wodzie (90 °C). Włosie powróci do swojego pierwotnego kształtu.

### 6.1 Konserwacja

W urządzeniu nie ma elementów wewnętrznych wymagających konserwacji.

### 6.2 Czyszczenie

- W miarę możliwości należy chronić wszystkie rozwiązania zabezpieczające, otwory wentylacyjne i obudowę silnika przed zanieczyszczeniami i pyłem. Wyrzuć elektronarzędzie czystą ściereczką lub przedmuchać sprężonym powietrzem o niskim ciśnieniu.
- Zalecamy czyszczenie narzędzia z napędem elektrycznym natychmiast po każdym użyciu.
- Regularnie czyść elektronarzędzie wilgotną szmatką i niewielką ilością delikatnego mydła. Nie dopuścić, by do wnętrza elektronarzędzia przedostała się woda.

### 6.3 Przechowywanie

- Przed schowaniem urządzenia wyczyścić je.
- Przed schowaniem sprawdzić urządzenie pod kątem uszkodzeń.
- Urządzenie przechowywać wewnątrz, w suchym miejscu chronionym przed kurzem, zabrudzeniami i ekstremalnymi temperaturami

## 7. Dane techniczne

Napięcie akumulatora:	18 V Li-Ion
Prędkość obrotowa na biegu jałowym (Ø100/180 mm):	200/400 min <sup>-1</sup>
Ciężar urządzenia bez akcesoriów:	63,5 dB(A)
Ciśnienie dźwięku L <sub>PA</sub> :	3,0 dB(A)
Niepewność K <sub>PA</sub> :	75,85 dB(A)
Moc akustyczna L <sub>WA</sub> :	3,0 dB(A)
Niepewność K <sub>WA</sub> :	0,54 m/s <sup>2</sup>
Drgania ręki/ramienia uchwyt przedni:	0,56 m/s <sup>2</sup>
uchwyt tylny:	1,5 m/s <sup>2</sup>
Niepewność K:	1,5 m/s <sup>2</sup>

### 7.1 Poziom wibracji

Podaną całkowitą wartość drgań oraz wartości emisji hałasu zmierzono zgodnie ze znormalizowaną procedurą (EN 62841) i można ich używać do porównywania różnych elektronarzędzi. Można ich również używać do wstępnej oceny obciążenia.

#### Ostrzeżenie!

Podczas rzeczywistego użytkowania elektronarzędzia emisje drgań i hałasu mogą odbiegać od podanych wartości w zależności od sposobu użytkowania elektronarzędzia, a szczególnie od rodzaju obrabianego detalu.

Konieczne jest określenie środków ochrony operatora polegających na ocenie obciążenia drganiami w rzeczywistych warunkach pracy (należy przy tym uwzględnić wszystkie etapy cyklu pracy, na przykład czasy, w których elektronarzędzie jest wyłączone, a także te, w których jest ono wprawdzie włączone, ale pracuje bez obciążenia).

W miarę możliwości zminimalizuj obciążenie wibracjami i hałasem. Przykładowym sposobem na zmniejszenie obciążenia wibracjami może być noszenie rękawic podczas używania narzędzia, ograniczenie czasu pracy oraz stosowanie elementów wyposażenia w dobrym stanie.

## 8. Elementy wyposażenia – dostępne jako opcja

### Artykuł

Nr artykułu:

#### Szczotka twarda (szary)

7064253

Grube, mocne włosie do trudnych miejsc

Idealna do płytek (ceramicznych) wewnątrz i na zewnątrz budynków, mebli drewnianych na terenie zewnętrznym, drewnianych tarasów, ścian, bram garażowych itp.

#### Szczotka średniej twardości (niebieska)

7064252

Włosie średniej grubości do czyszczenia ogólnego

Idealna do czyszczenia łodzi, płytek (ceramicznych) wewnątrz i na zewnątrz budynków, mebli drewnianych na terenach zewnętrznych, drewnianych tarasów, ścian, podłóg itp.

#### Szczotka miękka (czarna)

7064251

Miękkie włosie do delikatnych powierzchni

Idealna do czyszczenia łodzi, przyczep kempingowych i kamperów, płytek, powierzchni metalowych, domów mobilnych itp.

## 9. Utylizacja



*Nie należy utylizować elektronarzędzi z odpadami domowymi.*

Narzędzie z napędem elektrycznym jest dostarczane w opakowaniu celem zredukowania uszkodzeń w czasie transportu. Opakowanie jest surowcem i jako takie może zostać ponownie użyte lub ponownie przetworzone. Narzędzie z napędem elektrycznym i jego akcesoria wykonane są z różnych materiałów, takich jak metale i tworzywa sztuczne. Uszkodzone elementy należy przekazać do specjalnych punktów gromadzenia odpadów. Informacje o nich można uzyskać w sklepie lub u władz lokalnych. Produkt i instrukcja obsługi mogą ulec zmianie. Dane techniczne mogą zostać zmienione bez wcześniejszego powiadomienia.

## 9.1 Akumulatory

Podczas utylizacji akumulatorów brać pod uwagę środowisko naturalne. Aby uzyskać informacje na temat najbliższego punktu zbiórki odpadów, należy skontaktować się z jednostką władz samorządowych.

Nie należy utylizować akumulatorów z odpadami domowymi.

Nie należy utylizować akumulatorów przez spalanie, może to prowadzić do wybuchu.

## 10. Deklaracja zgodności z wymogami UE

Firma **Batavia B.V., Weth. Wassebaliestraat 6d, NL-7951 SN Staphorst**, oświadcza na własną odpowiedzialność, że produkt **Bezprzewodowa Elektryczna szczotka, model BT-CBT003, pozycja nr 7064924** jest zgodny z podstawowymi wymaganiami, które zostały zdefiniowane w Dyrektywach Europejskich **2006/42/UE (MD), 2014/30/UE (EMC), 2011/65/UE (RoHS)** oraz poprawkach do nich. W celu oceny zgodności zastosowane zostały następujące normy zharmonizowane:

**EN 62841-1:2015+AC:15**

**EN IEC 62841-2-3:2021+A11:2021**

**EN ISO 12100:2010**

**AfPS GS 2019:01**

**EN IEC 55014-1:2021**

**EN IEC 55014-2:2021**

**2006/42/EC, 2014/30/EU, 2011/65/EU**

Staphorst, 05 Sierpień 2024 r.

Jin Min, Przedstawiciel ds. QA  
Batavia B.V., Weth. Wassebaliestraat 6d,  
7951 SN Staphorst, Holandia

Produkt i instrukcja obsługi mogą ulec zmianie. Dane techniczne mogą zostać zmienione bez wcześniejszego powiadomienia.





# ONE BATTERY FOR ALL TOOLS

## MAXXPACK 18 V

18 V Cordless collection



# BATAVIA

## 2 YEAR WARRANTY

### **This product has got a 2 year warranty**

Dear Client, if for any reason this product is not working, please ensure you contact our Client Service Centre. Ensure you have your original receipt of purchase. This warranty covers all defects in workmanship or materials in this Batavia product for a two year period from the date of purchase. The warranty does not cover any malfunction, or defect resulting from misuse, neglect, alteration, or repair.

### **Dieses Produkt hat 2 Jahre Garantie**

Sehr geehrter Kunde, unsere Produkte unterliegen einer strengen Qualitätskontrolle. Sollte dieses Gerät nicht einwandfrei sein, so wenden Sie sich bitte immer zuerst an unseren Kunden-Service. Bitte bewahren Sie unbedingt den Kaufbeleg auf. Die Garantieleistung gilt nur für Material- oder Fabrikationsfehler. Ausgeschlossen sind Mängel die durch häufigen Gebrauch, missbräuchlicher und unsachgemäßer Behandlung oder Gewalteinwirkung verursacht worden sind.

### **Ce produit a 2 ans de garantie**

Cher client, Si pour une raison quelconque, ce produit ne fonctionne pas, veuillez contacter notre Centre de service après-vente. Conservez le bon d'achat original. Cette garantie couvre tous les défauts de matériau et de main d'œuvre constatés sur ce produit Batavia pendant une période de deux ans à compter de la date d'achat. Les défauts de fonctionnement et autres résultant d'abus ou de mauvais emploi, de négligence, de modifications ou réparations non autorisées sont exclus de la garantie.

### **Dit product heeft 2 jaar garantie**

Geachte klant, onze producten ondergaan een streng kwaliteitscontrole proces. Wanneer dit product niet correct functioneert, wend u zich alstublieft altijd eerst tot onze klantenservice. Bewaar altijd uw aankoopbewijs. De garantieservice is alleen van toepassing op materiaal- of productiefouten. Uitgesloten zijn gebreken veroorzaakt door intensief gebruik, misbruik en incorrecte behandeling of extern geweld.


**Europe / Europa / L'Europe / أوروبا**

**Customer Service / Kunden-Service / Service clientèle /  
Klantenservice / Servizio clienti / Servicio de atención al cliente /  
Serviço ao cliente / Obsługa klienta / خدمة العملاء**

 **service@batavia.eu**

Monday till Friday / Lundi jusqu'à Vendredi / Maandag t/m vrijdag /  
Dal lunedì al venerdì / De lunes a viernes / Segunda a sexta-  
feira / Od poniedziałku do piątku / من الاثنين إلى الجمعة

08.00 – 17.00

 **(DE) 0800 664 7740**

 **(EUR) 00800 664 774 00**



[www.bataviapower.com](http://www.bataviapower.com)

# BATAVIA

## 2 YEAR WARRANTY

### Questo prodotto è garantito per 2 anni

Gentile Cliente, se per una qualche ragione il prodotto non funziona, La invitiamo a mettersi in contatto con il nostro Centro Assistenza Clienti. Si accerti di avere la ricevuta originale dell'acquisto. La garanzia copre tutti i difetti di fabbricazione o di materiale in questo prodotto Batavia per un periodo di 2 anni dalla data di acquisto. La garanzia non copre malfunzionamenti o difetti derivanti da uso inappropriato, improprio, da modifiche o riparazioni.

### Este producto tiene dos años de garantía

Estimado cliente: si por cualquier razón este producto no funciona, póngase en contacto con nuestro Centro de Atención al Cliente. Asegúrese de tener a mano la factura de compra original. Esta garantía cubre todos los defectos de mano de obra o materiales de este producto de Batavia por un período de dos años a partir de la fecha de compra. La garantía no cubre ningún mal funcionamiento o defectos resultantes del mal uso, negligencia, alteración o reparación.

### Este produto tem uma garantia de 2 anos

Estimado Cliente, se, por qualquer motivo, este produto não estiver a funcionar devidamente, contacte o nosso Centro de Apoio ao Cliente. Certifique-se de que possui a prova de compra original. Esta garantia cobre todos os defeitos de fabrico ou materiais do produto Batavia durante um período de dois anos, a contar da data de compra. A garantia não cobre quaisquer avarias ou defeitos resultantes de um uso indevido, negligência, modificações ou reparações.

### Produkt posiada 2-letnią gwarancję.

Szanowny Kliencie! Jeśli z jakiegokolwiek powodu niniejszy produkt nie działa, prosimy skontaktować się z naszym Centrum obsługi serwisowej. Upewnij się, że posiadasz oryginalny dowód zakupu. Niniejsza gwarancja obejmuje wszystkie wady produkcyjne i materiałowe w produktach Batavia przez okres dwóch lat od daty zakupu. Gwarancja nie obejmuje żadnych usterek lub uszkodzeń wynikających z nieprawidłowego użycia, zaniedbania, modyfikacji lub naprawy.

Europe / Europa / L'Europe / أوروبا

Customer Service / Kunden-Service / Service clientèle /  
Klantenservice / Servizio clienti / Servicio de atención al cliente /  
Serviço ao cliente / Obsługa klienta / خدمة العملاء

✉ [service@batavia.eu](mailto:service@batavia.eu)

Monday till Friday / Lundi jusqu'à Vendredi / Maandag t/m vrijdag /  
Dal lunedì al venerdì / De lunes a viernes / Segunda a sexta-  
feira / Od poniedziałku do piątku / من الاثنين إلى الجمعة

08.00 – 17.00

☎ (DE) 0800 664 7740

☎ (EUR) 00800 664 774 00



[www.bataviapower.com](http://www.bataviapower.com)