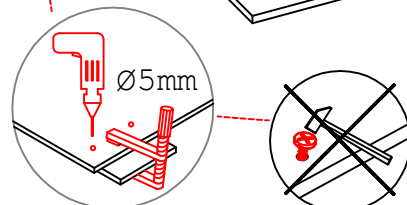
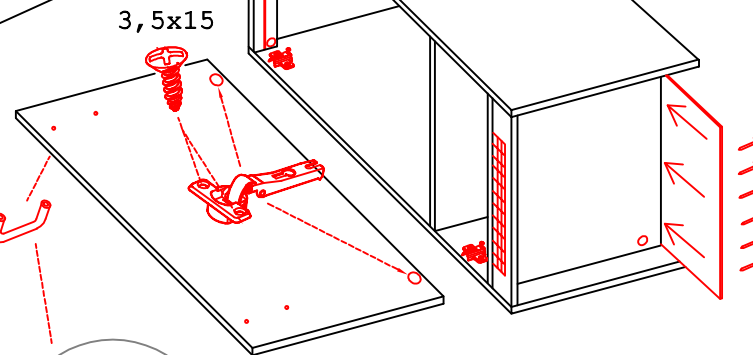
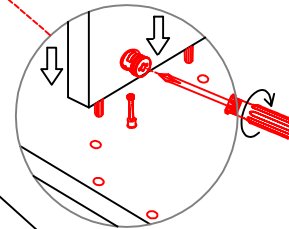
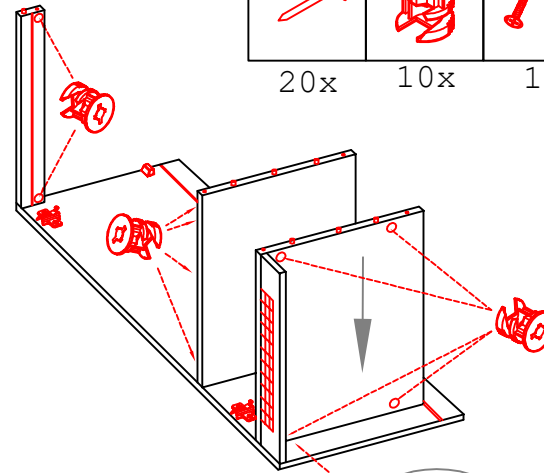
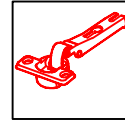
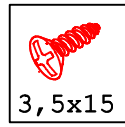
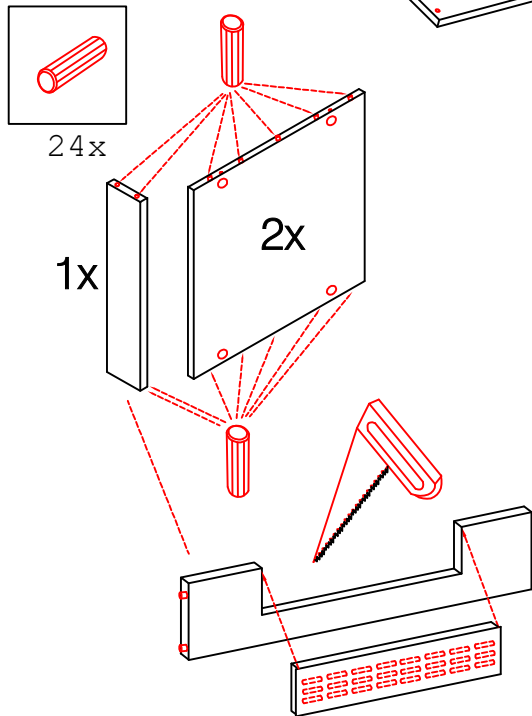
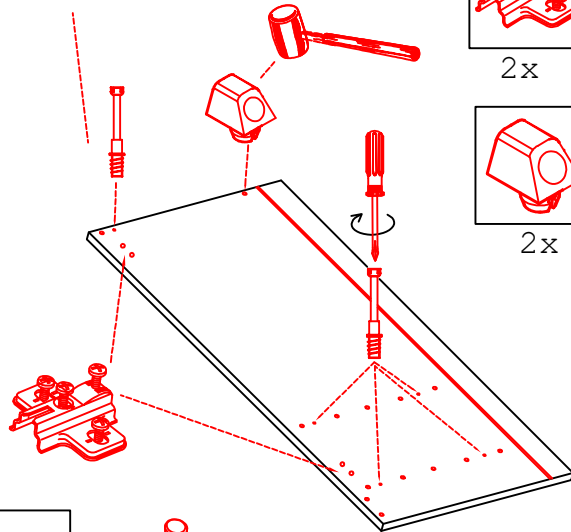
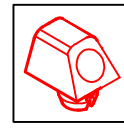
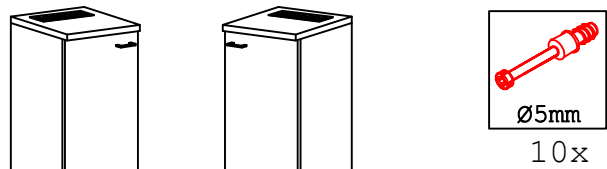


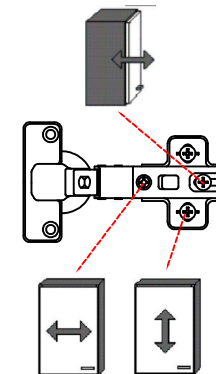
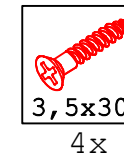
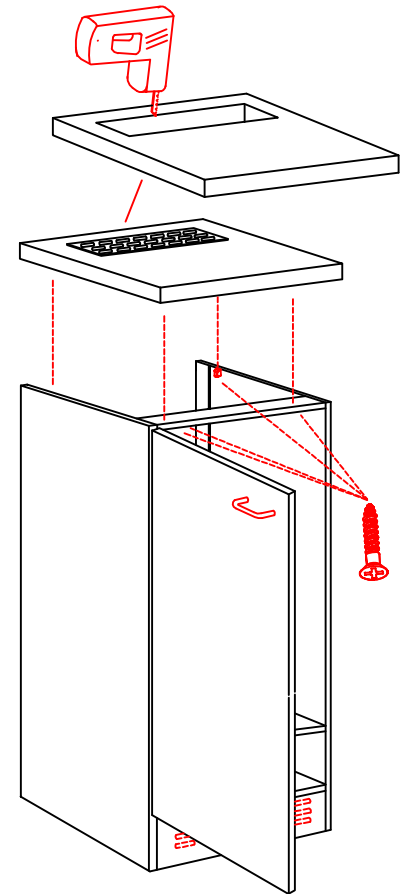
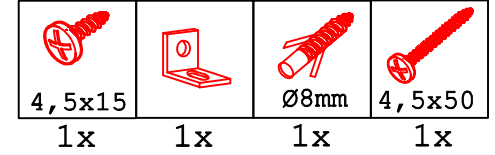
DEMI 120 Variante

Montageanleitung / Notice de montage / Assembly instruction

Flex-Well Vertriebs
GmbH & Co.KG
Industriestr. 80
32120 Hiddenhausen
info@flex-well.de



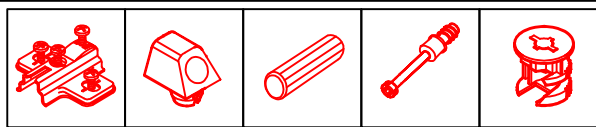
Wandbefestigung, Kippsicherung



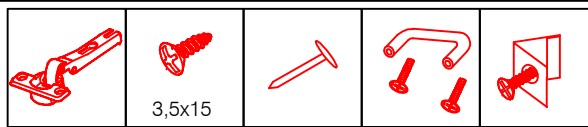
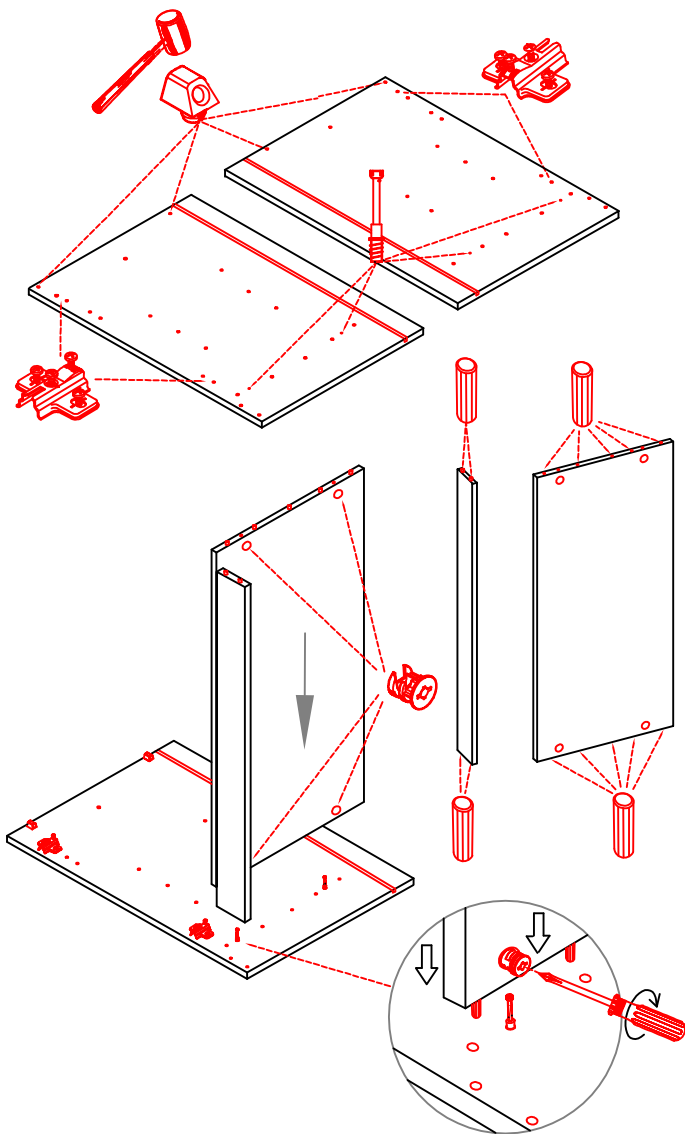
DSPU 100 Blocktype Varianto

Montageanleitung / Notice de montage / Assembly instruction

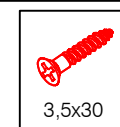
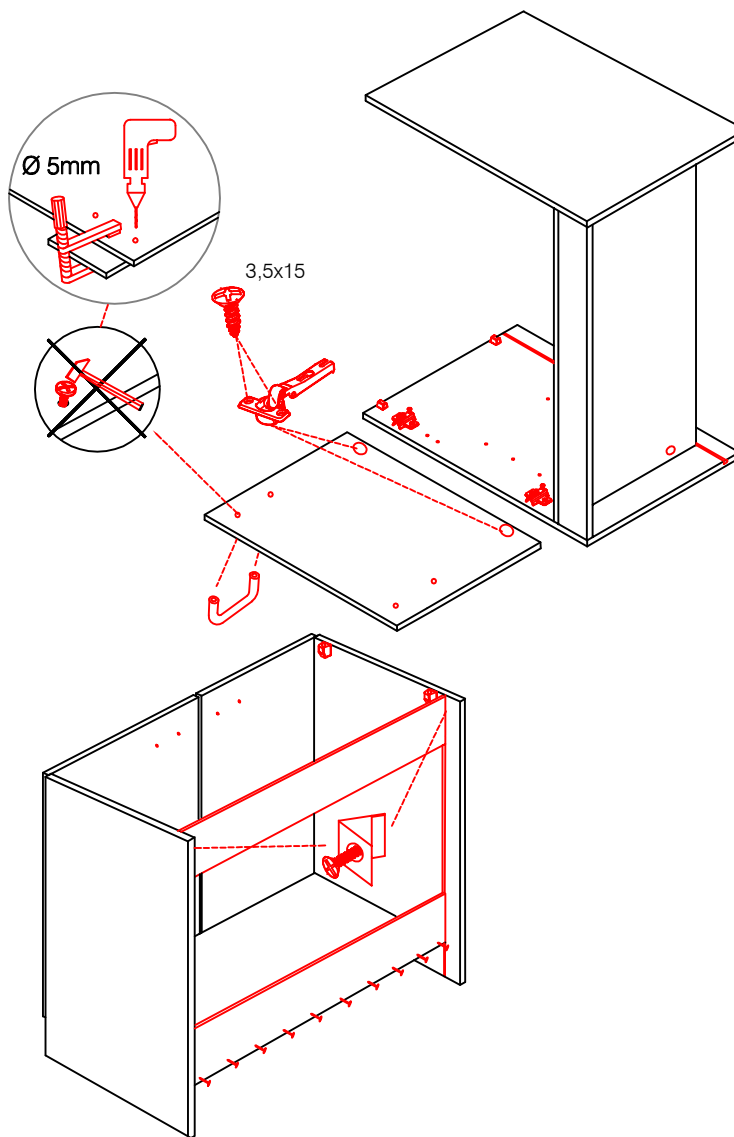
Flex-Well Vertriebs
GmbH & Co.KG
Industriestr. 80
32120 Hiddenhausen
info@flex-well.de



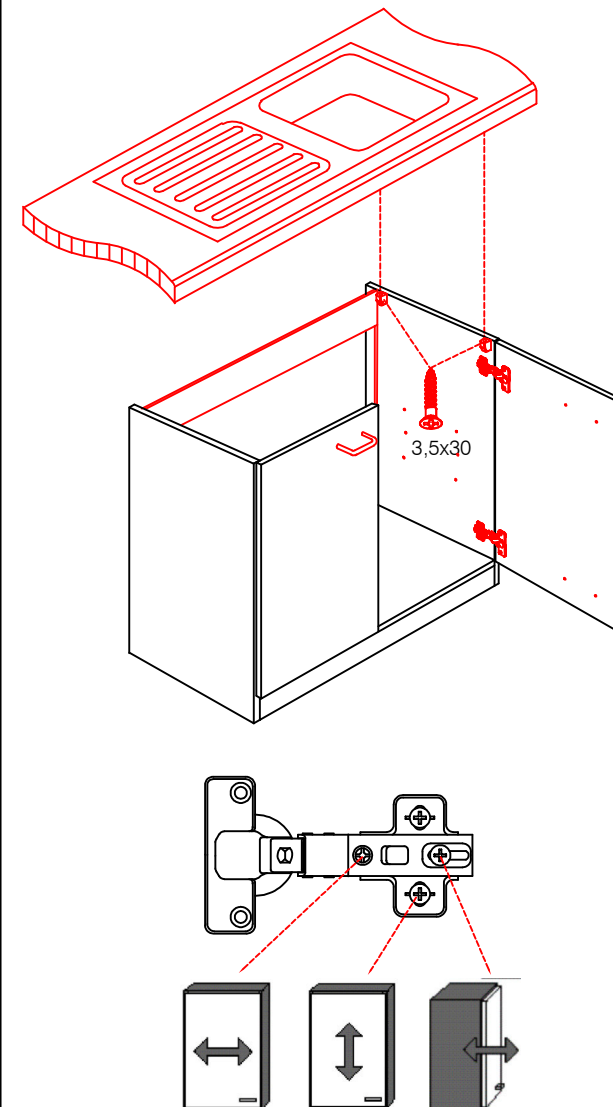
4x 4x 14x 4x 4x



4x 8x 10x 2x 2x



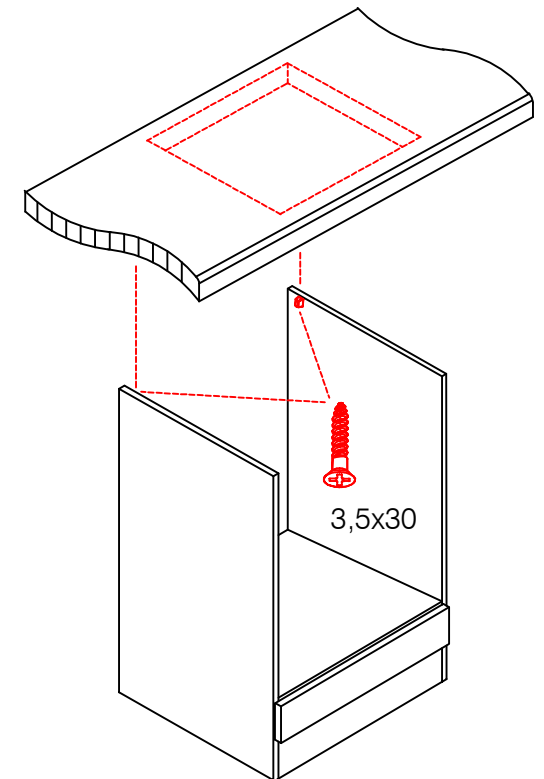
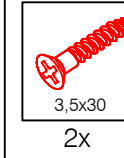
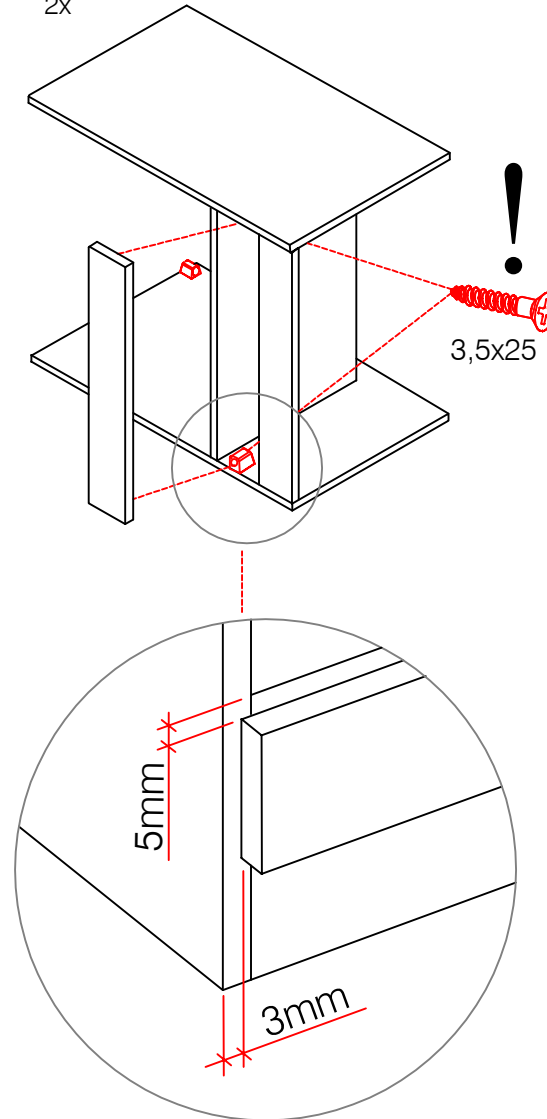
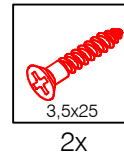
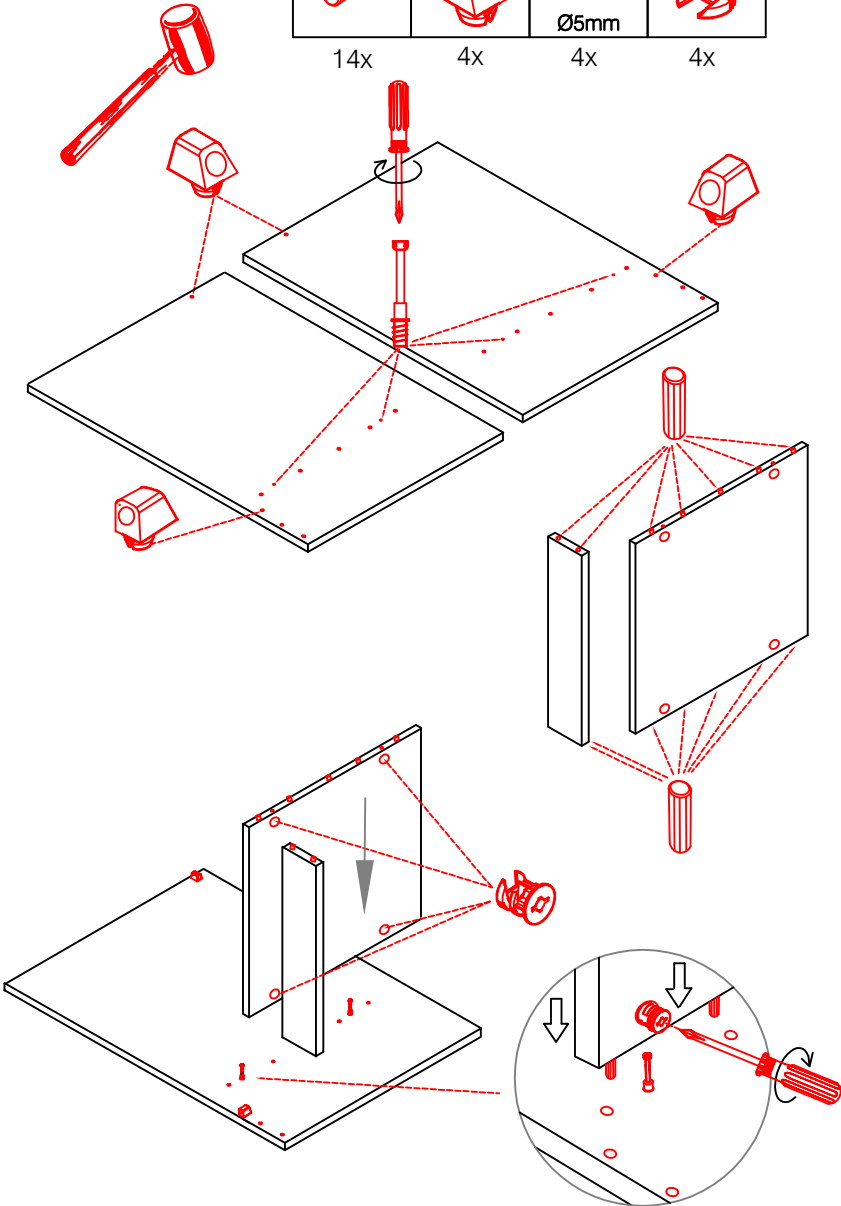
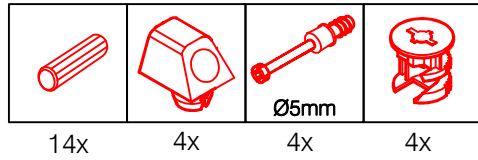
4x



HU 60 Blocktype Varianto

Montageanleitung / Notice de montage / Assembly instruction

Flex-Well Vertriebs
GmbH & Co.KG
Industriestr. 80
32120 Hiddenhausen
info@flex-well.de

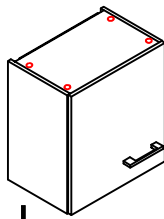




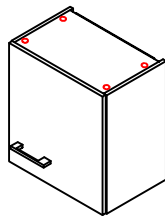
2x

2x

Ø8mm



L



R



Ø5mm

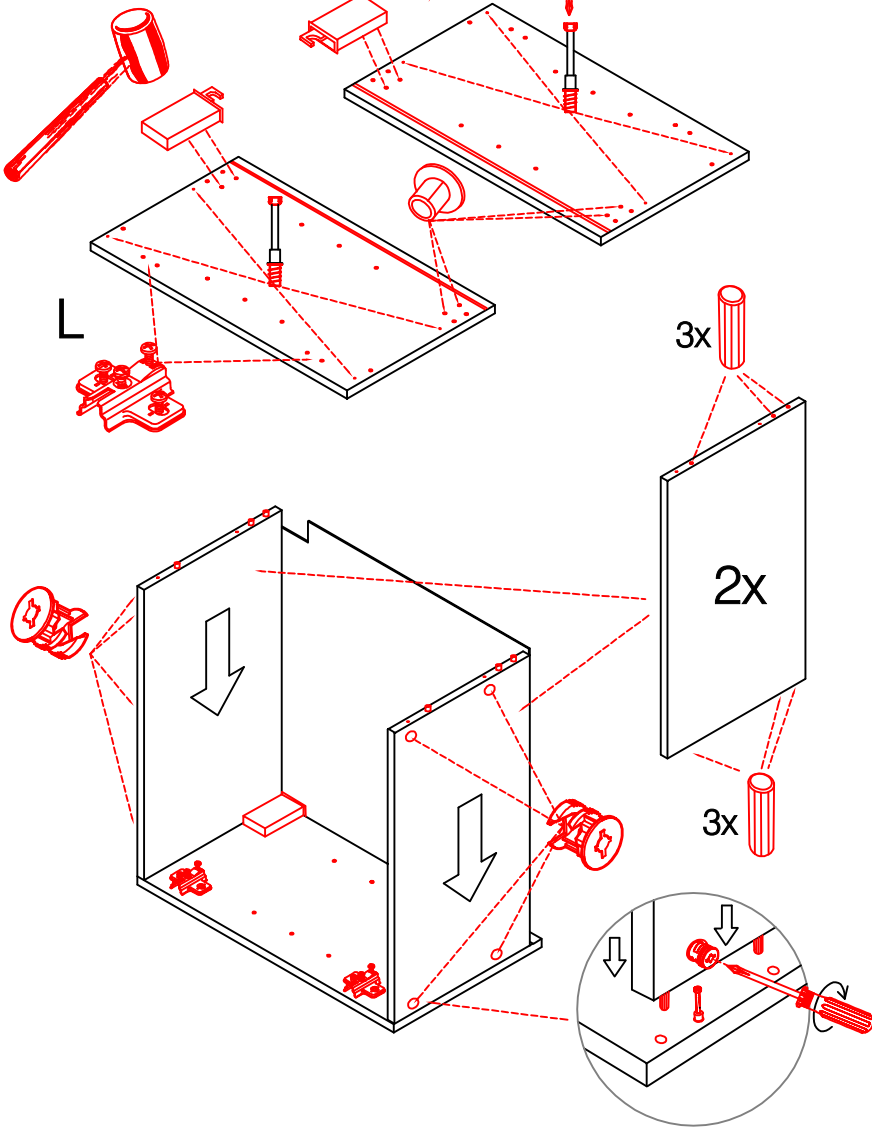
8x

12x

8x

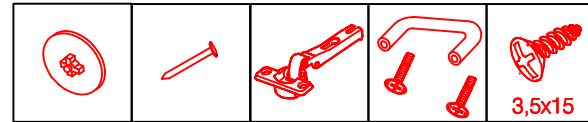
8x

12x



H 30 / H 40 / H 50 / H 60 / KH 60-32 / HG 50 / HGH 50
H 50-68 / H 60-68 / H 50-89 / H 60-89 -Varianto
Montageanleitung / Notice de montage / Assembly instruction

Flex-Well Vertriebs
GmbH & Co.KG
Industriestr. 80
32120 Hiddenhausen
info@flex-well.de



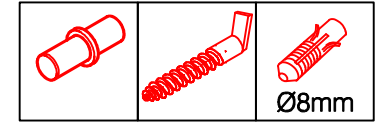
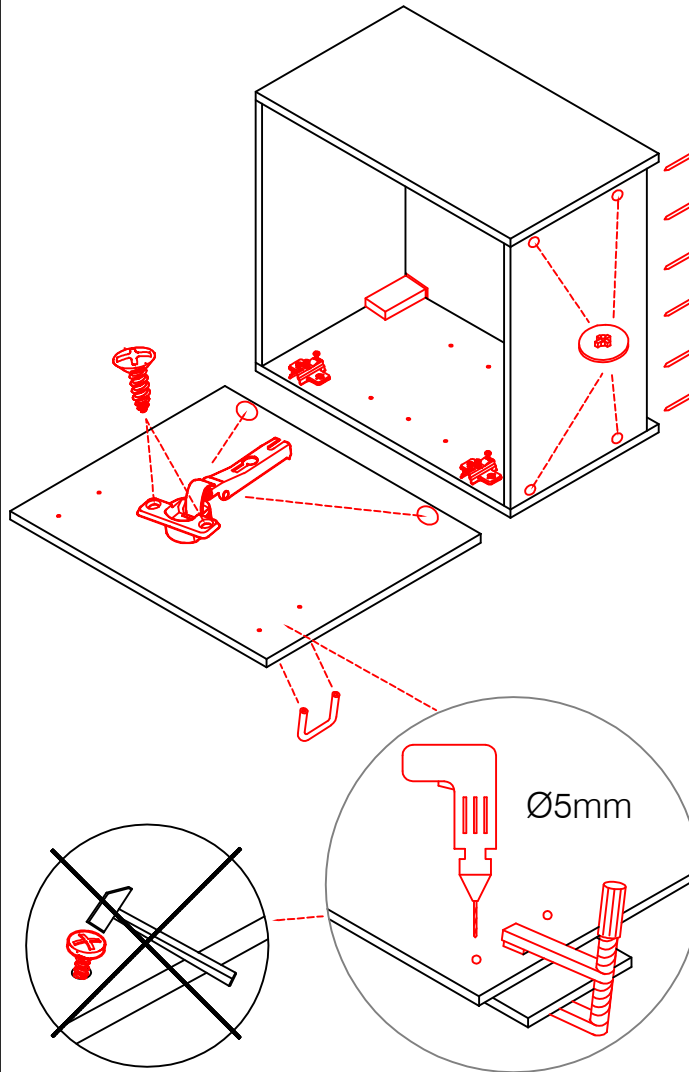
4x

12x

2x

1x

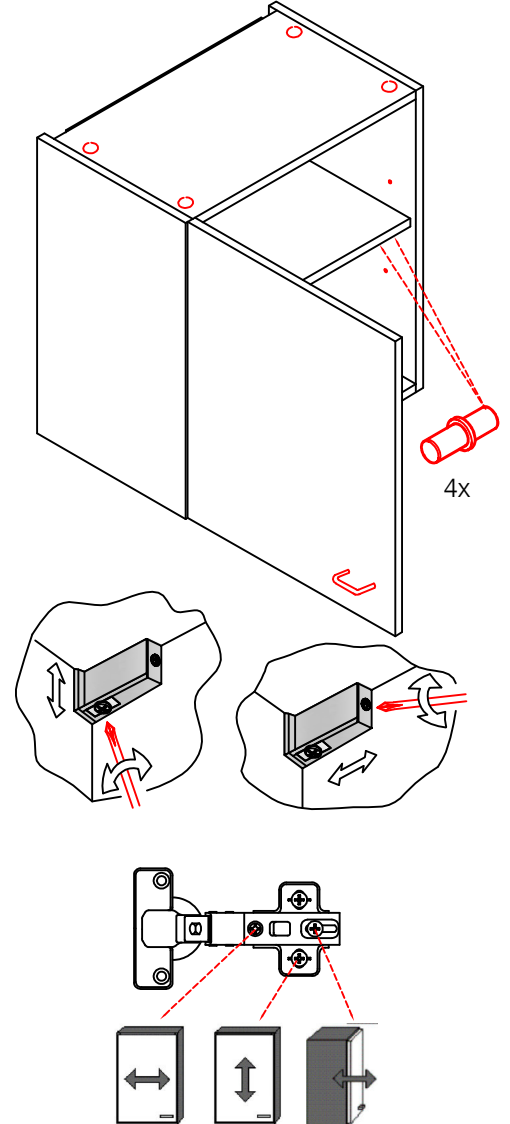
3,5x15



8x

2x

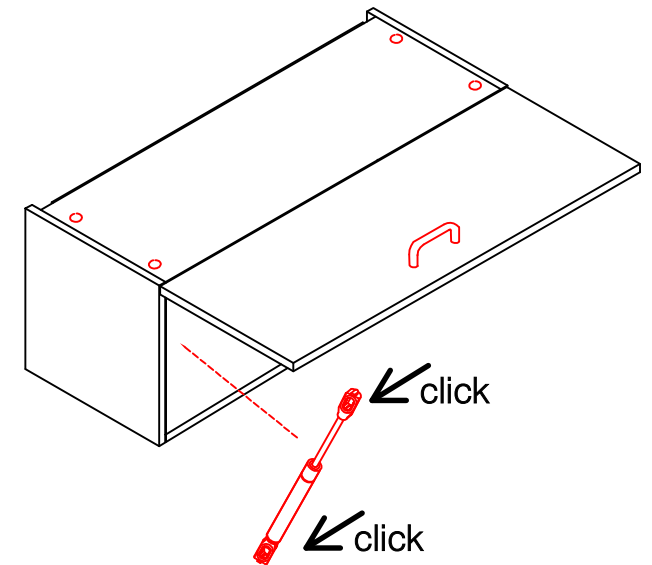
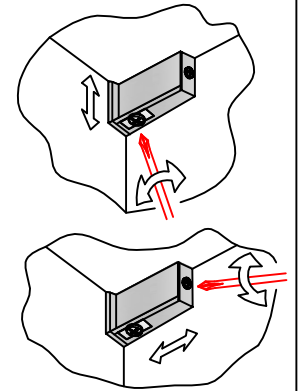
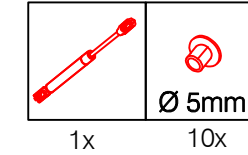
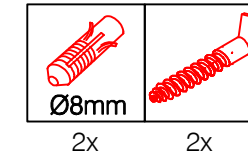
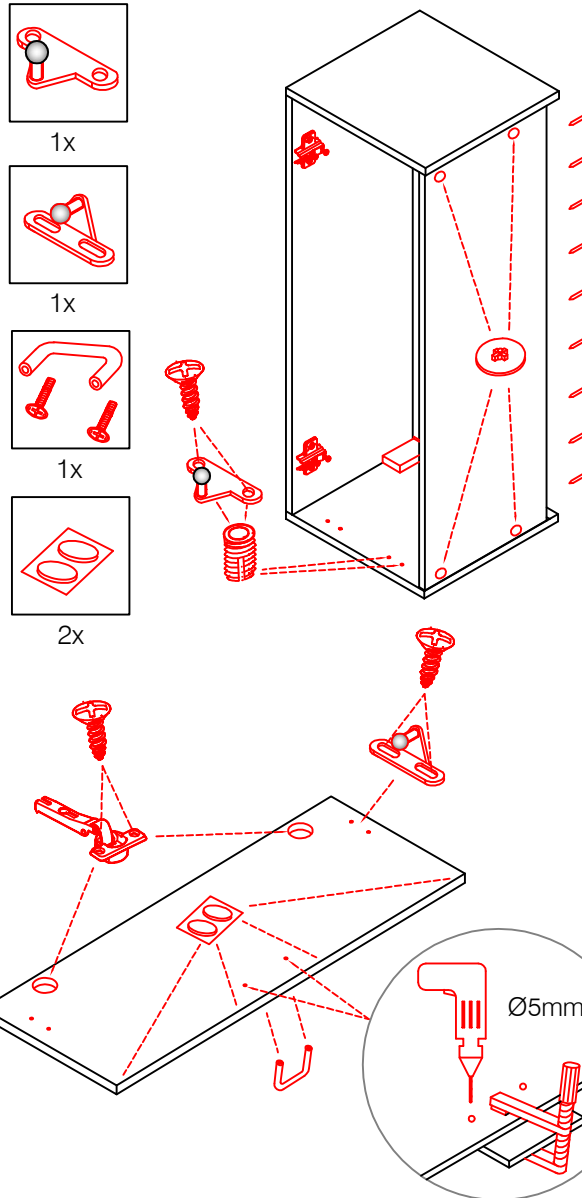
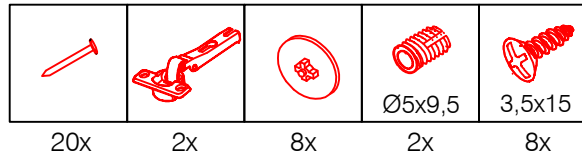
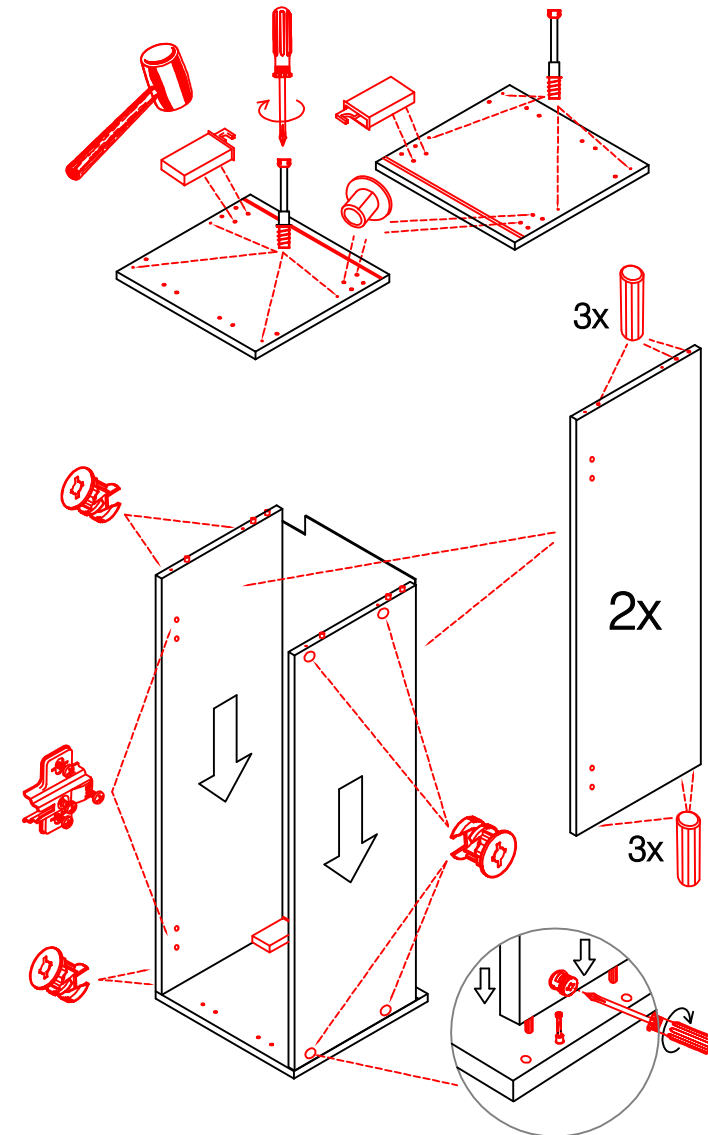
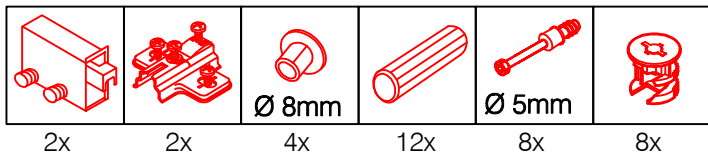
Ø8mm



4x

KHW 50 / KHW 100 Variante

Montageanleitung / Notice de montage / Assembly instruction



Flex-Well Vertriebs GmbH & Co.KG
 Industriestr. 80
 32120 Hiddenhausen
 info@flex-well.de

US 40 B/ 50 B/ 60 B Variante (Blocktype)

Montageanleitung / Notice de montage / Assembly instruction

Flex-Well Vertriebs
GmbH & Co. KG
Industriestr. 80
32120 Hiddenhausen
info@flex-well.de

L **R**

2x 4x

2x 4x

Ø5mm 4x

7x

4x 14x

This diagram shows the assembly of the left side of the cabinet. It includes two cabinet doors labeled 'L' and 'R'. A list of parts includes 2x screws, 4x washers, 2x drawer front components, 4x drawer front components, 4x Ø5mm dowels, and 7x vertical side panels. The assembly steps show the side panels being attached to the cabinet body and the drawer front components being mounted to the side panels. A circular inset shows a close-up of a screw being inserted into a pre-drilled hole in the side panel.

2x 6x 1x 4x 2x

3,5x15

3,5x15

Ø 5mm

This diagram shows the assembly of the right side of the cabinet. It includes two cabinet doors labeled 'L' and 'R'. A list of parts includes 2x screws, 6x screws, 1x L-shaped bracket, 4x 3,5x15 screws, and 2x L-shaped brackets. The assembly steps show the L-shaped brackets being attached to the cabinet body and the 3,5x15 screws being inserted into the pre-drilled holes. A circular inset shows a close-up of a 5mm hole being drilled into the cabinet body.

2x 4x 1x 1x

This diagram shows the assembly of the drawer. It includes two cabinet doors labeled 'L' and 'R'. A list of parts includes 2x screws, 4x screws, 1x L-shaped bracket, and 1x L-shaped bracket. The assembly steps show the L-shaped brackets being attached to the cabinet body and the screws being inserted into the pre-drilled holes. A circular inset shows a close-up of a screw being inserted into a pre-drilled hole in the cabinet body.

