

- EN
- FR
- DE
- ES
- IT
- NL
- PT
- DA
- SV
- FI
- NO
- RU
- PL
- CS
- HU
- RO
- LV
- LT
- ET
- HR
- SL
- SK
- BG
- UK
- TR
- EL

RY36BLB



- Important!** It is essential that you read the instructions in this manual before assembling, operating, and maintaining the product.
- Attention!** Il est essentiel que vous lisiez les instructions contenues dans ce manuel avant d'assembler, d'entretenir et d'utiliser le produit.
- Achtung!** Es ist wichtig, dass Sie vor Zusammenbau, Wartung und Benutzung des Produktes die Anweisungen in dieser Anleitung lesen.
- ¡Atención!** Resulta fundamental que lea este manual de instrucciones antes de realizar el montaje, el mantenimiento y de utilizar este producto
- Attenzione!** È importante leggere le istruzioni contenute nel presente manuale prima di montare il prodotto, svolgere le operazioni di manutenzione sullo stesso e metterlo in funzione.
- Let op!** Het is van essentieel belang dat u de instructies in deze gebruiksaanwijzing leest voor u het product monteert, onderhoudt en gebruikt.
- Atenção!** É fundamental que leia as instruções deste manual antes da montagem, manutenção e operação do aparelho.
- OBS!** Det er vigtigt, at man læser instrukserne i denne brugsanvisning, inden man samler, vedligeholder og betjener produktet.
- Observera!** Det är viktigt att du läser instruktionerna i manualen före montering, användning och underhåll av produkten.
- Huomio!** On tärkeää, että luet tämän käsikirjan ohjeet ennen tuotteen kokoamista, huoltoa ja käyttöä.
- Advarsel!** Det er vigtigt at du leser instruksjonene i denne manualen før sammensetning, vedlikehold og bruk av produktet
- Внимание!** Необходимо прочитать инструкции в данном руководстве перед сборкой, обслуживанием и эксплуатацией этого изделия.
- Uwaga!** Koniecznie należy przeczytać instrukcje zawarte w tym podręczniku przed montażem, obsługą oraz konserwacją produktu.
- Důležitost upozornění!** Neinstalujte, neprovádějte údržbu ani nepoužívejte tento výrobek dříve, než si přečtete pokyny uvedené v tomto návodu.
- Figyelem!** Fontos, hogy a termék összeszerelése, karbantartása és használatá előtt elolvassa a kézikönyvben található utasításokat.
- Atenție!** Este esențial să citiți instrucțiunile din acest manual înainte de asamblare, efectuarea întreținerii și operarea produsului.
- Uzmanību!** Ir svarīgi izlasīt šīs rokasgrāmatas instrukcijas pirms uzstādīšanas, apkopes un preces darbināšanas.
- Děmesio!** Prieš surenkant, prižiūrint ir naudojam gaminį, būtina perskaityti šiame vadove pateiktus nurodymus.
- Tähtis!** Enne masina kokkupanekut, hooldamist ja kasutama hakkamist tuleb käesolevate juhendis esitatud juhised kindlasti läbi lugeda.
- Upozorenje!** Vrlo je važno da ste prije sklapanja, održavanja i rada s ovim proizvodom pročitali upute u ovom priručniku.
- Pomembno!** Pomembno je da pred montažo vzdrževanjem in uporabo tega izdelka preberete navodila v tem priločniku.
- Upzornenie!** Je dôležité, aby ste si pred montážou, údržbou a obsluhou produktu prečítali pokyny v tomto návode.
- Важно!** Исклучително важно е да прочетете инструкциите в настоящото ръководство, преди да преминете към сглобяване, поддръжка или работа с продукта.
- Важливо!** Дуже важливо, щоб ви прочитали інструкції в цьому керівництві перед складанням, обслуговуванням та експлуатацією цієї машини.
- Önemli!** Ürünü monte etmeden, kullanmadan ve bakımını yapmadan önce bu kılavuzdaki talimatları okumanız önemlidir.
- Προσοχή!** Είναι πολύ σημαντικό να διαβάσετε τις οδηγίες στο παρόν εγχειρίδιο πριν συναρμολογήσετε, συντηρήσετε ή λειτουργήσετε το προϊόν.

Subject to technical modification | Sous réserve de modifications techniques | Technische Änderungen vorbehalten | Bajo reserva de modificaciones técnicas | Con riserva di eventuali modifiche tecniche | Technische wijzigingen voorbehouden | Com reserva de modificações técnicas | Med forbehold for tekniske ændringer | Med förbehåll för tekniska ändringar | Tekniset muutokset varataan | Med forbehold om tekniske endringer | могут быть внесены технические изменения | Z zastrzeżeniem modyfikacji technicznych | Změny technických údajů vyhrazeny | A műszaki módosítás jogát fenntartjuk | Sub rezerva modificațiilor tehnice | Paturam tiesības mainīt tehniskos raksturlielumus | Pasliiekant teisę daryti techninius pakeitimus | Tehnilised muudatused võimalikud | Подлежно tehničkim promjenama | Tehnične spremembe dopuščene | Právo na technické zmeny je vyhradené | Подлежи на технически модификации | Є об'єктом для технічних змін | Teknik değışiklięe tabidir | τεχνικών τροποποιήσεων.

EN ORIGINAL INSTRUCTIONS

Safety, performance, and dependability have been given top priority in the design of your cordless blower.

INTENDED USE

The cordless blower is intended only for outdoor use in dry and well-illuminated conditions.

The product is not intended to be used by children or persons with reduced physical, mental, or sensory capabilities.

The product is designed for blowing light debris, such as leaves, grass, and other garden refuse.

Do not use the product for any other purpose.

GENERAL SAFETY WARNINGS

⚠ WARNING! Read all safety warnings and all instructions. Failure to follow the warnings and instructions may result in electric shock, fire, and/or serious injury. Save all warnings and instructions for future reference.

⚠ WARNING! Never allow children or people who are unfamiliar with these instructions to use the product. Local regulations may restrict the age of the operator.

TRAINING

- Read the instructions carefully. Be familiar with the controls and the correct use of the product.
- Keep in mind that the operator or user is responsible for accidents or hazards occurring to other people or their property.
- Do not use the product while tired, ill, or under the influence of drugs, alcohol, or medication.

PREPARATION

- Some regions have regulations that restrict the use of the product to some operations. Check with your local authority for advice.
- Wear hearing protection at all times while operating the product. The product

is noisy, and not strictly adhering to precautions to limit your exposure and to reduce noise may result to permanent hearing injury.

- Wear full eye protection at all times while operating the product. Wear a full face mask or fully enclosed goggles. Normal spectacles or sunglasses are not adequate protection. Objects can be thrown at high speed by the powerful air jet at any time and may rebound from hard surfaces toward the operator.
- While operating the product, always wear substantial footwear and long trousers. Do not operate the product when barefoot or wearing open sandals. Avoid wearing clothing with loose fitting or that has hanging cords or ties.
- Do not wear loose clothing or jewellery that can be drawn into the air inlet. Secure long hair so it is above shoulder level to prevent entanglement in moving parts.
- Before each use, ensure that all controls and safety devices function correctly. Do not use the product if the off switch does not stop the product.
- Operate the product in the recommended position and only on a firm and level surface.
- Do not operate the product on a paved or gravel surface where ejected material could cause injury.
- Before each use, always inspect the housing for damage. Ensure that guards and handles are in place and properly secured. Replace worn or damaged components in sets to preserve balance. Replace damaged or unreadable labels.
- Never operate the product while people, especially children, or pets are nearby.
- Keep all cooling air inlets clear of debris.
- Use rakes and brooms to loosen debris before blowing.
- Clear the work area before each use. Remove all objects such as rocks, broken glass, nails, wire, or string that can be

blown a considerable distance by high velocity air.

- Injuries may be caused or aggravated by prolonged use of a tool. When using any tool for prolonged periods, ensure you take regular breaks.

BATTERY TOOL USE AND CARE

- Recharge only with the charger specified by the manufacturer. A charger that is suitable for one type of battery pack may create a risk of fire when used with another battery pack.
- Use power tools only with specifically designated battery packs. Use of any other battery packs may create a risk of injury and fire.
- When battery pack is not in use, keep it away from other metal objects, like paper clips, coins, keys, nails, screws, or other small metal objects that can make a connection from one terminal to another. Shorting the battery pack terminals together may cause burns or a fire.
- Under abusive conditions, liquid may be ejected from the battery pack; avoid contact. If contact accidentally occurs, flush with water. If liquid contacts eyes, additionally seek medical help. Liquid ejected from the battery pack may cause irritation or burns.
- Do not use a battery pack or tool that is damaged or modified. Damaged or modified batteries may exhibit unpredictable behaviour resulting in fire, explosion, or risk of injury.
- Do not expose a battery pack or tool to fire or excessive temperatures. Exposure to fire or excessive temperature above 130 °C may cause explosion.
- Follow all charging instructions and do not charge the battery pack or tool outside the temperature range specified in the instructions. Charging improperly or at temperatures outside the specified range may damage the battery and increase the risk of fire.

OPERATION

- Operate the product only at reasonable hours—not early in the morning or late at night when people might be disturbed.
- Never operate the product in an explosive atmosphere.
- Avoid using the product in bad weather conditions, especially when there is a risk of lightning.
- Keep bystanders, children, and pets 15 m away from the area of operation. Stop the product if anyone enters the area.
- Do not operate the product in poor lighting. The operator requires a clear view of the work area to identify potential hazards.
- Operating similar tools nearby increases both the risk of hearing injury and the potential for other persons to enter your working area.
- Always be sure of your footing on slopes. Walk, never run.
- Keep proper footing and balance. Do not overreach. Overreaching can result in loss of balance.
- Never use the product with defective guards or shields, or without safety devices in place.
- To reduce the risk of injury associated with contacting rotating parts, always turn off the product and remove the battery pack. Make sure that all moving parts have come to a complete stop:
 - before leaving the product unattended
 - before clearing blockages
 - before checking, cleaning, or working on the product
 - before inspecting the product after striking a foreign object
 - whenever the product starts to vibrate abnormally (inspect immediately)
- Immediately turn off the product and remove the battery pack in the event of an accident or a breakdown. Do not operate the product again until it has been fully checked by an authorised service centre.

- Do not modify the product in any way or use parts and accessories that are not recommended by the manufacturer.
- If the product is dropped, suffers heavy impact, or begins to vibrate abnormally, immediately stop the product and inspect for damage or identify the cause of the vibration. Any damage should be properly repaired or replaced by an authorised service centre.

⚠ **WARNING!** The product may be supplied with a harness. Carefully adjust the harness to comfortably help you in supporting the weight of the product.

Identify the quick-release mechanism and practice using it before you start using the product. Its correct use may prevent serious injury in the case of an emergency. Never wear additional clothing over the harness or otherwise restrict access to the quick-release mechanism.

BLOWER SAFETY WARNINGS

- Wear a face filter mask in dusty conditions to reduce the risk of injury associated with the inhalation of dust.
- Slightly dampen surfaces in dusty conditions.
- Do not use the product near open windows.
- Use the full blower nozzle extension so that the air stream can work close to the ground and perform effectively.
- Do not point the blower nozzle in the direction of people or pets.
- Never place objects inside the blower tubes.
- Do not place the product on top of or near loose debris. Debris can be sucked into the intake vent, resulting in possible damage to the product.

ADDITIONAL BATTERY SAFETY WARNINGS

To reduce the risk of fire, personal injury, and product damage due to a short circuit, never immerse the product, battery pack, or charger in fluid or allow fluid to flow inside them. Corrosive or conductive fluids, such as

seawater, certain industrial chemicals, and bleach or bleach-containing products, etc., can cause a short circuit.

TRANSPORTATION AND STORAGE

- Turn off the product, remove the battery pack, and allow it to cool down before storing or transporting.
- Remove all foreign materials from the product. Store the product in a cool, dry, and well-ventilated place that is inaccessible to children. Keep the product away from corrosive agents, such as garden chemicals and de-icing salts. Do not store the product outdoors.
- For transportation in a vehicle, secure the product against movement or falling to prevent injury to persons or damage to the product.

TRANSPORTING LITHIUM BATTERIES

Transport the battery pack in accordance with local and national provisions and regulations.

Follow all special requirements on packaging and labelling when transporting batteries by a third party. Ensure that no batteries can come in contact with other batteries or conductive materials while in transport by protecting exposed connectors with insulating, non-conductive caps or tape. Do not transport battery packs that are cracked or leaking. Check with the forwarding company for further advice.

MAINTENANCE

- Use only original manufacturer's replacement parts, accessories, and attachments. Failure to do so can cause possible injury, can contribute to poor performance, and may void your warranty.
- Servicing requires extreme care and knowledge and should be performed only by a qualified service technician. Have the product serviced by an authorised service centre only.
- Check all nuts, bolts, and screws at frequent intervals for proper tightness to ensure that the product is in safe working condition. Any

part that is damaged should be properly repaired or replaced by an authorised service centre.

- Bring the product to an authorised service centre to replace damaged or unreadable labels.
- You may make adjustments or repairs that are described in this manual. For other repairs, contact an authorised service centre.
- After each use, clean the product with a soft, dry cloth.

CLEARING A BLOCKAGE

- To reduce the risk of injury associated with contacting moving parts, always turn off the product, remove the battery pack, and make sure that all moving parts have come to a complete stop.
- Remove the blower tubes to inspect for blockage. Clear the tubes if required.
- Reinstall the blower tubes before starting the product.

KNOW YOUR PRODUCT

See page 111.

1. On/Off trigger
2. Handle
3. Battery port
4. Latch
5. Blower tube
6. Operator's manual
7. Battery pack
8. Charger

SYMBOLS



Safety alert



Read and understand all instructions before operating the product. Follow all warnings and safety instructions.



Wear eye and ear protection.



Do not expose the product to rain or damp conditions.



Rotating fans. Keep hands and feet out of openings while the product is running.



Keep all bystanders, especially children and pets, a safe distance away from the operating area.



Guaranteed sound power level

Do not dispose of waste batteries, waste electrical and electronic equipment as unsorted municipal waste. Waste batteries and waste electrical and electronic equipment must be collected separately. Waste batteries, waste accumulators, and light sources have to be removed from the equipment. Check with your local authority or retailer for recycling advice and collection point.

According to local regulations, retailers may have an obligation to take back waste batteries and waste electrical and electronic equipment free of charge. Your contribution to the reuse and recycling of waste batteries and waste electrical and electronic equipment helps to reduce the demand of raw materials. Waste batteries, in particular containing lithium, and waste electrical and electronic equipment contain valuable and recyclable materials, which can adversely impact the environment and the human health if not disposed of in an environmentally compatible manner. Delete personal data from waste equipment, if any.



Lors de la conception de votre souffleur sans fil, l'accent a été mis sur la sécurité, la performance et la fiabilité.

UTILISATION PRÉVUE

Le souffleur sans fil est uniquement conçu pour une utilisation en extérieur, dans des conditions sèches et bien éclairées.

Ce produit ne doit pas être utilisé par des enfants ou par des personnes aux capacités physiques, sensorielles ou mentales diminuées.

Ce produit est destiné au soufflage des débris légers tels que les feuilles, l'herbe et autres déchets du jardin.

Utilisez ce produit pour aucun autre travail.

AVERTISSEMENTS GÉNÉRAUX DE SÉCURITÉ

⚠ AVERTISSEMENT ! Lisez tous les avertissements et indications. Le non-respect des avertissements et instructions peut entraîner un décharge électrique, un incendie et/ou de graves blessures. Bien garder tous les avertissements et instructions.

⚠ AVERTISSEMENT ! Ne laissez jamais les enfants ou les personnes non familiarisées avec ces instructions utiliser le produit. Les lois locales peuvent imposer un âge minimum à l'opérateur.

ENTRAÎNEMENT

- Lisez attentivement les instructions. Familiarisez-vous avec les commandes du produit ainsi qu'avec son utilisation correcte.
- Gardez à l'esprit que l'opérateur est responsable des accidents qui arrivent aux autres personnes présentes dans sa propriété.
- Ne pas utiliser l'outil si vous êtes fatigué(e) ou si vous avez consommé des drogues, de l'alcool ou des médicaments.

PRÉPARATION

- La législation de certaines régions restreint l'utilisation du produit à certaines opérations. Contactez les autorités locales pour obtenir des conseils.
- Portez une protection auditive en permanence lorsque vous utilisez ce produit. Le produit est bruyant. Le manquement à respecter strictement les précautions visant à limiter votre exposition et à réduire le bruit

pourrait entraîner des lésions auditives permanentes.

- Portez une protection oculaire totale en permanence lorsque vous utilisez ce produit. Porter un masque intégral ou des lunettes de protection fermées. Des lunettes de vue ou de soleil ne constituent pas une protection adéquate. Des objets peuvent être projetés à haute vitesse à tout moment par le puissant flux d'air et peuvent rebondir sur des surfaces dures en direction de l'opérateur.
- Lorsque vous utilisez le produit, portez toujours des chaussures adéquates ainsi que des pantalons longs. N'utilisez pas la machine pieds nus ou avec des sandales ouvertes. Évitez de porter des vêtements amples ou qui possèdent des cordons ou attaches qui pendent.
- Ne portez pas de vêtements amples ou de bijoux qui pourraient être attirés vers l'entrée d'air. Attachez les cheveux longs au-dessus du niveau des épaules afin d'éviter qu'ils ne se prennent dans les parties en mouvement.
- Avant chaque utilisation assurez-vous que toutes les commandes et tous les organes de sécurité fonctionnent correctement. N'utilisez pas le produit si son interrupteur "Arrêt" est inopérant à arrêter le moteur.
- Faites fonctionner le produit dans la position recommandée et uniquement sur une surface dure et horizontale.
- N'utilisez pas la machine sur une surface pavée ou gravillonnée, la projection de ces matériaux pouvant causer des blessures.
- Avant chaque utilisation, vérifiez toujours le carter à la recherche de dommages éventuels. Assurez-vous que les protections et poignées sont en place et bien fixées. Remplacez les éléments usés ou endommagé par jeu complet pour conserver le bon équilibrage. Remplacez toute étiquette endommagée ou illisible.
- N'utilisez jamais la machine si des personnes, en particulier des enfants, ou des animaux familiers se trouvent à proximité.
- Gardez toutes les entrées d'air de refroidissement exemptes de débris.
- Utilisez un râteau et un balai pour détacher les débris avant d'utiliser le souffleur.
- Dégagez la zone de travail avant chaque utilisation. Retirez tous les objets tels que pierres, verre brisé, clous, câbles ou ficelle qui pourraient se voir projeter à une distance considérable par la haute vitesse de l'air.

- L'utilisation prolongée d'un outil est susceptible de provoquer ou d'aggraver des blessures. Assurez-vous de faire des pauses de façon régulière lorsque vous utilisez tout outil de façon prolongée.

UTILISATION ET EMPLOI SOIGNEUX DES OUTILS ÉLECTRIQUES SANS FIL

- Ne chargez les blocs de batteries que dans des chargeurs recommandés par le fabricant. Un chargeur approprié à un type spécifique de batterie peut engendrer un risque d'incendie lorsqu'il est utilisé avec une autre batterie.
- Dans les outils électriques, n'utilisez que les blocs de batteries spécialement prévus pour ceux-ci. L'utilisation de tout autre bloc de batterie peut entraîner des blessures et des risques d'incendie.
- Lorsqu'un bloc de batterie n'est pas utilisé, maintenez-le à l'écart de tout autre objet métallique, par exemple trombones, pièces de monnaie, clés, clous, vis ou autres objets de petite taille qui peuvent donner lieu à une connexion d'une borne à une autre. Un court-circuit entre les contacts de batterie peut provoquer des brûlures ou un incendie.
- En cas d'utilisation abusive, du liquide peut sortir du bloc de batterie. Évitez tout contact avec ce liquide. En cas de contact accidentel, rincez soigneusement avec de l'eau. Si du liquide entre en contact avec les yeux, consultez immédiatement un médecin. Le liquide qui sort du bloc de batterie peut entraîner des irritations de la peau ou causer des brûlures.
- Ne pas utiliser un outil ou un pack de batterie endommagé ou modifié. Des batteries endommagées ou modifiées peuvent présenter un comportement imprévisible pouvant causer un incendie, une explosion ou un risque de blessure.
- Ne pas exposer un outil ou un pack de batterie au feu ou à des températures excessives. L'exposition au feu ou à des températures excessives supérieures à 130 °C peut provoquer une explosion.
- Suivre toutes les instructions de chargement et ne pas charger l'outil ou le pack de batterie en dehors de la plage de températures spécifiée dans les instructions. Un chargement incorrect ou à des températures en dehors de la plage spécifiée peut endommager la batterie et augmenter le risque d'incendie.

UTILISATION

- N'utilisez la machine qu'à des heures raisonnables – évitez de le faire tôt le matin ou tard le soir, où vous risqueriez de gêner des gens.
- N'utilisez jamais le produit dans une atmosphère explosive.
- Évitez d'utiliser le produit par mauvais temps, en particulier en cas de risque d'éclairs.
- Gardez les passants, les enfants et les animaux éloignés d'au moins 15 m de l'aire de travail. Arrêtez le produit si quelqu'un pénètre dans l'environnement de travail.
- Ne faites pas fonctionner le produit sous un mauvais éclairage. L'opérateur doit avoir une bonne vue d'ensemble de la zone de travail pour identifier les dangers éventuels.
- L'utilisation d'outils similaires alentour augmente le risque d'atteinte à l'audition ainsi que le risque que d'autres personnes entrent dans la zone de travail.
- Gardez toujours un bon appui dans les pentes. Marchez, ne courez jamais.
- Gardez un bon appui et un bon équilibre. Ne pas se précipiter. Ne travaillez pas en extension, vous pourriez perdre l'équilibre.
- N'utilisez jamais un appareil dont les carters ou les protections sont endommagés, ou dont les éléments de sécurité ne sont pas en place.
- Pour réduire les risques de blessures infligées par des pièces en rotation, mettez toujours l'appareil hors tension avant de retirer le bloc-batterie. Assurez-vous que tous les éléments en mouvement se sont bien arrêtés :
 - avant de laisser le produit sans surveillance
 - avant de retirer des obstructions
 - avant de travailler sur le produit, de le vérifier ou de le nettoyer
 - avant d'inspecter le produit après avoir heurté un corps étranger
 - si le produit se met à vibrer de façon anormale (vérifiez immédiatement)
- En cas d'accident ou de panne, mettez immédiatement hors tension le bloc de batterie et déposez-le. N'utilisez plus le produit jusqu'à ce qu'il ait été entièrement vérifié par un service après-vente agréé.
- Ne modifiez la machine d'aucune façon et n'utilisez pas de pièces ou accessoires non recommandés par le fabricant.
- Si le produit est tombé, a subi un choc important ou se met à vibrer de façon anormale,

arrêtez-le immédiatement et recherchez les dommages éventuels ou identifiez la cause des vibrations. Toute pièce endommagée doit être correctement remplacée ou réparée par un centre de service agréé.

⚠ **AVERTISSEMENT !** Le produit peut être fourni avec un harnais. Ajustez soigneusement le harnais de façon qu'il aide confortablement à supporter le poids du produit.

Repérez le mécanisme de libération rapide et entraînez-vous à sa manipulation avant de commencer à utiliser la machine. Son utilisation correcte peut empêcher de graves blessures en cas d'urgence. Ne portez jamais de vêtements par-dessus le harnais ou de manière à réduire l'accès au mécanisme de libération rapide.

AVERTISSEMENTS DE SÉCURITÉ RELATIFS AU SOUFFLEUR

- Portez un masque facial en conditions poussiéreuses pour éviter toute blessure due à l'inhalation des poussières.
- Humectez légèrement les surfaces en conditions poussiéreuses.
- N'utilisez pas la produit à proximité de fenêtres ouvertes.
- Utilisez la rallonge complète d'embout de soufflage afin que le souffle d'air agisse près du sol et soit plus efficace.
- Ne faites pas pointer l'extrémité du souffleur vers des personnes ou des animaux.
- N'introduisez jamais aucun objet dans les tubes du souffleur.
- Ne pas placer le produit sur ou près de débris. Les débris sont susceptibles d'être aspirés dans les entrées d'air ce qui risquerait d'endommager l'appareil.

MISES EN GARDE DE SÉCURITÉ SUPPLÉMENTAIRES CONCERNANT LA BATTERIE

Pour réduire le risque d'incendie, de blessures corporelles et de dommages causés par un court-circuit, n'immergez jamais le produit, la batterie ou le chargeur dans un liquide et ne laissez jamais de liquide pénétrer dans aucun d'entre eux. Les fluides corrosifs ou conducteurs, tels que l'eau de mer, certains produits chimiques industriels, les produits de blanchiment ou contenant des agents de blanchiment etc. peuvent provoquer un court-circuit.

TRANSPORT ET STOCKAGE

- Mettez l'appareil hors tension, retirez le bloc-batterie et laissez-le refroidir avant de le ranger ou de le transporter.
- Débarrassez l'appareil de tous les corps étrangers. Rangez le produit dans un endroit sec, bien aéré et hors de portée des enfants. Tenez le produit à l'écart des agents corrosifs tels que les produits chimiques pour le jardin et les sels de dégivrage. Ne rangez pas ranger le produit à l'extérieur.
- Pour le transport dans un véhicule, attachez le produit pour l'empêcher de bouger ou de tomber, afin d'éviter toute blessure et tout dommage matériel.

TRANSPORT DES BATTERIES AU LITHIUM

Transportez les batteries en conformité avec les dispositions et règlements locaux et nationaux.

Respectez toutes les exigences légales particulières concernant l'emballage et l'étiquetage des batteries lorsque vous confiez leur transport à un tiers. Assurez-vous qu'aucune batterie ne puisse entrer en contact avec une autre batterie ou avec des matériaux conducteurs lors de son transport en isolant les bornes électriques avec du ruban adhésif ou des capuchons isolants non conducteurs. Ne transportez pas une batterie qui serait fendue ou qui fuirait. Demandez conseil au transporteur pour de plus amples informations.

ENTRETIEN

- N'utilisez que des pièces détachées et des accessoires d'origine constructeur. Le non respect de cette précaution peut entraîner de mauvaises performances, des blessures, et annuler votre garantie.
- Les réparations demandent un soin et des connaissances extrêmes et ne doivent être effectuées que par un technicien de service qualifié. Confiez l'entretien du produit à un centre de service agréé.
- Vérifiez régulièrement le bon serrage des écrous, vis et boulons pour vous assurer que le produit soit toujours en bon état de fonctionnement. Toute pièce endommagée doit être correctement remplacée ou réparée par un centre de service agréé.
- Apportez le produit à un centre de service agréé pour remplacer les étiquettes abîmées ou illisibles.

- Vous n'êtes autorisé à effectuer que les réglages et réparations décrits dans ce manuel. Pour d'autres réparations ou conseils, faites vous assister par un service après-vente agréé.
- Après chaque utilisation, utilisez un chiffon propre et sec pour nettoyer le produit.



Niveau de puissance sonore garanti

DÉGAGEMENT D'UN BLOCAGE

- Afin de réduire le risque de blessures infligées par des pièces en rotation, mettez toujours l'appareil hors tension, retirez le bloc-batterie et assurez-vous que toutes les pièces mobiles se sont entièrement immobilisées.
- Retirez les tubes du souffleur pour déceler tout blocage. Dégagez les tubes au besoin.
- Réinstaller les tubes de la souffleuse avant de démarrer le produit.

APPRENEZ À CONNAÎTRE VOTRE PRODUIT

Voir page 111.

1. Gâchette Marche/Arrêt
2. Poignée
3. Port de batterie
4. Loquet
5. Tube de soufflage
6. Manuel utilisateur
7. Bloc de batterie
8. Chargeur

SYMBOLES



Alerte de sécurité



Lisez et comprenez toutes les instructions avant d'utiliser le produit. Respectez l'ensemble des avertissements et consignes de sécurité.



Portez une protection oculaire et auditive.



Ne pas exposer à la pluie ou à des conditions humides.

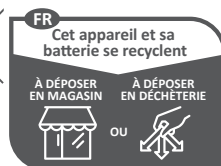


Turbine rotative. Éloignez les mains et les pieds des ouvertures du produit en fonctionnement.



Les personnes à proximité, en particulier les enfants et les animaux domestiques, doivent se tenir à une distance de sécurité de la zone d'utilisation.

Ne jetez pas les batteries et les équipements électriques et électroniques usagés parmi les déchets municipaux non triés. Les batteries et les équipements électriques et électroniques usagés doivent être collectés séparément. Les batteries, accumulateurs et sources lumineuses usagés doivent être retirés de l'équipement. Pour obtenir des conseils en matière de recyclage et de points de collecte, se renseigner auprès des autorités locales ou du détaillant. Selon les réglementations locales, les détaillants peuvent avoir l'obligation de récupérer gratuitement les batteries et les équipements électriques et électroniques usagés. Votre contribution à la réutilisation et au recyclage des batteries et équipements électriques et électroniques usagés permet de réduire la demande en matières premières. Les batteries, notamment celles qui contiennent du lithium, ainsi que les équipements électriques et électroniques usagés comportent des matériaux précieux et recyclables, qui peuvent avoir un impact négatif sur l'environnement et la santé humaine s'ils ne sont pas éliminés de manière respectueuse de l'environnement. Supprimer les données personnelles de l'équipement usagé, le cas échéant.



Points de collecte sur www.quefairedemesdechets.fr

DE ÜBERSETZUNG DER ORIGINALANLEITUNG

Sicherheit, Leistung und Zuverlässigkeit hatten oberste Priorität bei der Entwicklung Ihres Akku-Laubgebläse.

BESTIMMUNGSGEMÄSSE VERWENDUNG

Der Akku-Laubgebläse ist ausschließlich zur Nutzung im Freien unter trockenen Bedingungen und bei guter Beleuchtung geeignet.

Dieses Produkt ist nicht für Kinder oder Personen mit verminderten physischen, geistigen oder sensorischen Fähigkeiten geeignet.

Das Produkt ist zum Wegblasen von leichtem Kehrgut, wie Laub, Gras und anderen Gartenabfällen vorgesehen.

Das Produkt darf zu keinen anderen Zwecken verwendet werden.

ALLGEMEINE SICHERHEITSWARNUNGEN

⚠️ WARNUNG! Lesen Sie alle Sicherheitshinweise und Anweisungen. Versäumnisse bei der Einhaltung der Sicherheitshinweise und Anweisungen können elektrischen Schlag, Brand und/oder schwere Verletzungen verursachen. Bewahren Sie alle Sicherheitshinweise und Anweisungen für die Zukunft auf.

⚠️ WARNUNG! Erlauben Sie niemals Kindern oder Personen, die mit diesen Anweisungen nicht vertraut sind, das Produkt zu benutzen. Die lokale Gesetzgebung regelt das Mindestalter des Benutzers.

UNTERWEISUNG

- Lesen Sie die Anweisungen sorgfältig durch. Machen Sie sich mit den Bedienelementen und dem ordnungsgemäßen Gebrauch des Produktes vertraut.
- Vergessen Sie nie, dass der Benutzer verantwortlich ist für Unfälle und Gefahren, die an Eigentum Fremder oder an anderen Personen entstehen könnte.
- Bedienen Sie das Gerät nicht, wenn Sie müde oder krank sind oder unter dem Einfluss von Alkohol, Drogen oder Medikamenten stehen.

VORBEREITUNG

- In einigen Regionen können Vorschriften die Benutzung dieses Produktes auf einige Tätigkeiten beschränken. Lassen Sie sich von Ihrer örtlichen Behörde beraten.

- Tragen Sie immer vollen Gehörschutz, wenn Sie das Produkt benutzen. Dieses Gerät erzeugt laute Geräusche, diese können zu dauerhaften Gehörschädigungen führen, wenn die Vorsichtsmaßnahmen zur Verringerung der Aussetzung und des Geräuschpegels nicht streng eingehalten werden.

- Tragen Sie immer vollen Augenschutz, wenn Sie das Produkt benutzen. Tragen Sie eine Vollmaske oder eine vollständig abschließende Schutzbrille. Normale Brillen oder Sonnenbrillen sind kein ausreichender Schutz. Gegenstände können von dem kräftigen Luftstrom jederzeit mit großer Geschwindigkeit geschleudert werden, und von harten Gegenständen in Richtung Benutzer gelenkt werden.

- Tragen Sie beim Betrieb des Produktes immer festes Schuhwerk und lange Hosen. Arbeiten Sie mit der Maschine niemals Barfuß oder mit offenen Sandalen. Vermeiden Sie lockere Kleidung oder Kleidung mit Schnüren oder Bändern zu tragen.

- Tragen Sie keine locker sitzende Kleidung oder Schmuck, die in den Lufteinlass gesaugt werden könnten. Binden Sie lange Haare zurück, so dass diese sich über Schulterhöhe befinden um zu verhindern, dass sie sich in beweglichen Teilen verfangen.

- Stellen Sie vor jeder Benutzung sicher, dass alle Bedienelemente und Sicherheitsvorrichtung ordnungsgemäß funktionieren. Benutzen sie das Werkzeug nicht, wenn der "Aus" -Schalter das Produkt nicht stoppt.

- Bedienen Sie das Produkt in der empfohlenen Position und nur auf einem festen, ebenen Untergrund.

- Betreiben Sie diese Maschine nicht auf gepflastertem Untergrund oder Schotter, wo ausgeworfenes Material zu Verletzungen führen könnte.

- Überprüfen Sie das Gehäuse vor jeder Benutzung auf Beschädigung. Stellen Sie sicher, dass alle Schutzabdeckungen und Griffe montiert und ordnungsgemäß gesichert sind. Ersetzen Sie abgenutzte oder beschädigte Teile satzweise, um das Gleichgewicht zu erhalten. Ersetzen Sie beschädigte oder unleserliche Etiketten.

- Benutzen Sie nicht das Werkzeug, wenn andere Personen, insbesondere Kinder, in der Nähe sind.

- Halten Sie alle Lüftungseinlässe von Verunreinigungen frei.

- Verwenden Sie Rechen und Besen um Verschmutzungen zu lösen, bevor Sie das Blasgerät einsetzen.
- Untersuchen Sie vor jeder Benutzung den Arbeitsbereich. Entfernen Sie alle Objekte wie z.B. Steine, zerbrochenes Glas, Nägel, Draht oder Fäden, die von dem Luftstrom eine beträchtliche Distanz geblasen werden können.
- Verletzungen können durch lange Benutzung eines Werkzeugs entstehen oder verschlimmert werden. Machen Sie regelmäßig Pause, wenn Sie ein Werkzeug für lange Zeit benutzen.

VERWENDUNG UND BEHANDLUNG DES AKKUWERKZEUGES

- Laden Sie die Akkus nur in Ladegeräten auf, die vom Hersteller empfohlen werden. Für ein Ladegerät, das für eine bestimmte Art von Akkupacks geeignet ist, besteht Brandgefahr, wenn es mit anderen Akkupacks verwendet wird.
- Verwenden Sie nur die dafür vorgesehenen Akkupacks in den Elektrowerkzeugen. Der Gebrauch von anderen Akkupacks kann zu Verletzungen und Brandgefahr führen.
- Halten Sie den nicht benutzten Akkupack fern von Büroklammern, Münzen, Schlüsseln, Nägeln, Schrauben oder anderen kleinen Metallgegenständen, die eine Überbrückung der Kontakte verursachen könnten. Ein Kurzschluss zwischen den Akkukontakten kann Verbrennungen oder Feuer zur Folge haben.
- Bei falscher Anwendung kann Flüssigkeit aus dem Akkupack austreten; vermeiden Sie den Kontakt damit. Bei zufälligem Kontakt mit Wasser abspülen. Suchen Sie außerdem medizinische Hilfe auf, falls die Flüssigkeit in die Augen gerät. Austretende Akkufflüssigkeit kann zu Hautreizungen oder Verbrennungen führen.
- Verwenden Sie keinen beschädigten oder modifizierten Akkupack oder Werkzeuge. Beschädigte oder modifizierte Akkus können zu unvorhersehbaren Reaktionen führen, was zu Feuer, Explosion oder Verletzungsgefahr führt.
- Setzen Sie einen Akkupack oder Werkzeuge nicht Feuer oder zu hohen Temperaturen aus. Feuereinwirkung oder hohe Temperaturen über 130 °C können zu einer Explosion führen.
- Befolgen Sie alle Ladeanweisungen und laden Sie den Akkupack nicht außerhalb des in der Anleitung angegebenen Temperaturbereichs

auf. Bei unsachgemäßer Aufladung oder Aufladung bei Temperaturen außerhalb des angegebenen Bereichs kann der Akku beschädigt und das Brandrisiko erhöht werden.

VERWENDUNG

- Betreiben Sie die Maschine nur zu angemessenen Zeiten – nicht früh am Morgen oder spät am Abend, wenn das andere Personen stören könnte.
- Benutzen Sie das Produkt niemals in explosionsfähiger Atmosphäre.
- Vermeiden Sie es das Produkt bei schlechtem Wetter zu benutzen, besonders bei Gefahr von Blitzschlag.
- Halten Sie Zuschauer, Kinder und Haustiere 15 m von dem Arbeitsbereich fern. Stoppen Sie das Produkt, wenn jemand diesen Bereich betritt.
- Arbeiten Sie nicht mit dem Gerät bei schlechter Beleuchtung. Der Benutzer braucht einen ungehinderten Blick auf den Arbeitsbereich, um mögliche Gefahren zu erkennen.
- Der Betrieb ähnlicher Werkzeuge in der Umgebung erhöht das Risiko von Gehörschäden und die Wahrscheinlichkeit, dass andere Personen Ihren Arbeitsbereich betreten.
- Achten Sie bei der Arbeit an Hängen auf einen festen Stand. Gehen Sie stets im Schrittempo; laufen Sie niemals.
- Sorgen Sie für einen sicheren Stand und halten Sie das Gleichgewicht. Vermeiden Sie eine abnormale Körperhaltung. Eine abnormale Körperhaltung kann zu Gleichgewichtsverlust führen.
- Betreiben Sie das Gerät niemals mit defekten Schutzvorrichtungen oder Abschirmungen oder ohne montierte Sicherheitsvorrichtungen.
- Um das Verletzungsrisiko bei Kontakt mit rotierenden Teilen zu verringern, schalten Sie das Gerät immer aus und nehmen Sie den Akkusatz heraus. Stellen Sie sicher, dass alle bewegliche Teile vollständig angehalten sind:
 - bevor Sie das Produkt unbeaufsichtigt zurücklassen
 - vor dem Beseitigen von Blockaden
 - bevor Sie das Produkt prüfen, reinigen oder daran arbeiten
 - vor dem Inspizieren des Geräts nach dem Schlagen gegen einen Fremdkörper
 - wenn das Produkt anfängt, ungewöhnlich zu vibrieren (sofort überprüfen)

- Schalten Sie das Gerät bei Unfällen oder Ausfällen sofort aus und entfernen Sie den Akkupack. Das Produkt darf nicht wieder in Betrieb genommen werden, bis es vollständig von einem autorisierten Kundendienst überprüft wurde.
- Verändern Sie das Produkt nicht in irgendeiner Weise oder verwenden Teile oder Zubehör die nicht vom Hersteller empfohlen sind.
- Wenn das Produkt fallen gelassen wurde oder einen schweren Schlag erhielt oder anfängt, ungewöhnlich zu vibrieren, stoppen Sie das Produkt sofort und überprüfen es auf Schäden oder identifizieren Sie die Ursache der Vibration. Jeder Schaden sollte durch den autorisierten Kundendienst ordnungsgemäß repariert oder ausgetauscht werden.

⚠ **WARNUNG!** Das Gerät kann mit einem Tragegurt ausgerüstet werden. Stellen Sie das Tragegeschirr sorgfältig ein, damit es bequem sitzt und das Gewicht des Produktes stützt.

Ermitteln Sie, wie der Schnellverschluss funktioniert und üben Sie die Benutzung, bevor Sie die Maschine benutzen. Dessen richtige Benutzung kann im Notfall schwere Verletzungen verhindern. Tragen Sie niemals zusätzliche Kleidung über dem Gurt, um den Zugriff auf den Schnellöffnungs-Mechanismus nicht einzuschränken.

SICHERHEITSHINWEISE FÜR LAUBGEBLÄSE

- Tragen Sie bei staubigen Bedingungen einen Atemschutz, um das Verletzungsrisiko durch das Einatmen von Staub zu verringern.
- Befeuchten Sie bei staubigen Bedingungen die Oberflächen leicht.
- Betreiben Sie die Maschine nicht in der Nähe eines geöffneten Fensters.
- Verwenden Sie die Verlängerung der Düse, so dass der Luftstrom nah am Boden und effektiv arbeiten kann.
- Richten Sie die Gebläsedüse niemals auf Personen oder Tiere.
- Stecken Sie niemals Gegenstände in die Gebläserohre.
- Legen Sie das Gebläse nicht auf oder in die Nähe losen Kehrgruts. Das Kehrgrut könnte in den Lufteinlass gesaugt werden und möglicherweise das Gerät beschädigen.

WEITERE SICHERHEITSHINWEISE ZUM AKKU

Um die Brandgefahr sowie die Gefahr von Personenschaden und der Beschädigung des Produkts aufgrund eines Kurzschlusses zu reduzieren, halten Sie das Gerät, den Akkupack und das Ladegerät von Flüssigkeiten fern. Korrodierende oder leitfähige Flüssigkeiten, wie Salzwasser, bestimmte Chemikalien und Bleichmittel oder Produkte, die Bleichmittel enthalten, können einen Kurzschluss verursachen.

TRANSPORT UND LAGERUNG

- Schalten Sie das Gerät aus, entfernen Sie den Akkupack und lassen Sie das Gerät abkühlen, bevor Sie es aufbewahren oder transportieren.
- Entfernen Sie alle Fremdkörper vom Produkt. Lagern Sie das Produkt an einem kühlen, trockenen und gut belüfteten Ort, der Kindern keinen Zugang bietet. Halten Sie das Produkt von ätzenden Mitteln wie Gartenchemikalien und Streusalz fern. Lagern Sie das Gerät nicht im Freien.
- Sichern Sie das Produkt beim Transport in einem Fahrzeug gegen Bewegung oder Herunterfallen, um Verletzungen an Personen und Beschädigung des Produkts zu verhindern.

TRANSPORT VON LITHIUM-IONEN-AKKUS

Transportieren Sie Akkupacks gemäß Ihren örtlichen und nationalen Bestimmungen und Regeln.

Befolgen Sie alle besonderen Anforderungen für Verpackung und Beschriftung, wenn Sie Akkus von Dritten transportieren lassen. Stellen Sie sicher, dass beim Transport kein Akku in Kontakt mit anderen Akkus oder leitenden Materialien kommt, indem Sie die freien Anschlüsse mit Isolierband, nichtleitenden Kappen oder Klebeband schützen. Beschädigte oder auslaufende Akkupacks dürfen nicht transportiert werden. Weitere Informationen erhalten Sie bei Ihrem Transportunternehmen.

WARTUNG UND PFLEGE

- Verwenden Sie ausschließlich original Ersatzteile, Zubehör und Aufsätze des Herstellers. Nichtbefolgung kann mögliche Verletzungen oder schlechte Leistung verursachen und Ihre Garantie ungültig machen.
- Service und Wartung des Gerätes erfordert besonderen Sorgfalt und Kenntnisstand und sollte nur durch qualifiziertes Personal

durchgeführt werden. Lassen Sie das Gerät nur von einem autorisierten Servicecenter warten.

- Überprüfen Sie Bolzen, Muttern und Schrauben in regelmäßigen Abständen, ob sie alle fest angezogen sind, um somit sicherzustellen, dass das Produkt in einem sicheren Zustand ist. Jedes beschädigte Teil muss durch den autorisierten Kundendienst ordnungsgemäß repariert oder ausgetauscht werden.
- Bringen Sie das Produkt zu einem autorisierten Kundendienst zurück, um beschädigte oder unleserliche Aufkleber zu ersetzen.
- Sie dürfen die in dieser Bedienungsanleitung beschriebenen Einstellungen und Reparaturen durchführen. Kontaktieren Sie Ihren autorisierten Kundendienst für andere Reparaturen.
- Reinigen Sie das Produkt nach jeder Benutzung mit einem weichen, trockenen Lappen.

BLOCKIERUNGEN ENTFERNEN

- Um das mit dem Berühren von beweglichen Teilen einhergehende Verletzungsrisiko zu verringern, schalten Sie das Gerät immer aus, entfernen Sie den Akkupack und vergewissern Sie sich, dass alle beweglichen Teile vollständig stillstehen.
- Entfernen Sie die Blasrohre, um sie auf Verstopfung zu kontrollieren. Reinigen Sie die Rohre, wenn erforderlich.
- Setzen Sie die Rohre wieder auf, bevor Sie das Gerät starten.

MACHEN SIE SICH MIT IHREM PRODUKT VERTRAUT

Siehe Seite 111.

1. Ein- / Ausschalter
2. Griff
3. Akkuaufnahme
4. Verschluss
5. Gebläserohr
6. Bedienungsanleitung
7. Akkupack
8. Ladegerät

SYMBOLE



Sicherheitswarnung

Vor dem Bedienen des Produkts müssen Sie alle Anweisungen lesen und verstehen. Befolgen Sie alle Warn- und Sicherheitshinweise.



Tragen Sie Augen- und Gehörschutz.



Nicht Regen oder feuchten Bedingungen aussetzen.



Rotierende Lüferräder. Halten Sie Hände und Füße von den Öffnungen fern während das Produkt in Betrieb ist.



Halten Sie umstehende Personen, insbesondere Kinder und Haustiere, vom Arbeitsbereich fern.



Garantierter Schalleistungspegel

Entsorgen Sie Altbatterien, Elektro- und Elektronikaltgeräte nicht als unsortierten Siedlungsabfall. Altbatterien und Elektro- und Elektronikaltgeräte müssen getrennt gesammelt werden. Altbatterien, Altkumulatoren und Lichtquellen müssen aus den Geräten entfernt werden. Informieren Sie sich bei den örtlichen Behörden oder bei Ihrem Einzelhändler über Recyclingoptionen und die Entsorgungseinrichtung. Je nach den örtlichen Vorschriften kann der Einzelhandel verpflichtet sein, Altbatterien und Elektro- und Elektronik-Altgeräte unentgeltlich zurückzunehmen. Ihr Beitrag zur Wiederverwendung und zum Recycling von Elektro- und Elektronikaltgeräten trägt dazu bei, den Bedarf an Rohstoffen zu verringern. Altbatterien, insbesondere lithiumhaltige Batterien, und Elektro- und Elektronik-Altgeräte enthalten wertvolle, wiederverwertbare Materialien, die sich negativ auf die Umwelt und die menschliche Gesundheit auswirken können, wenn sie nicht auf umweltverträgliche Weise entsorgt werden. Löschen Sie ggf. personenbezogene Daten aus Altgeräten.



ES TRADUCCIÓN DE LAS INSTRUCCIONES ORIGINALES

La seguridad, rendimiento y fiabilidad han sido aspectos primordiales para el diseño de su soplador inalámbrico.

USO PREVISTO

El soplador inalámbrico está concebido exclusivamente para su uso en espacios exteriores, en condiciones secas y de buena iluminación.

Este producto no debe ser utilizado por niños o personas con discapacidad física, mental o sensorial.

O producto está diseñado para soplar restos de suciedad ligeros, incluidas las hojas, la hierba y otros residuos de jardinería.

No la use para ninguna otra finalidad.

ALERTA DE SEGURIDAD GENERAL

⚠ ¡ADVERTENCIA! Lea todas las advertencias de peligro e instrucciones. El incumplimiento de las advertencias e instrucciones puede provocar descargas eléctricas, incendios y/o lesiones graves. Conserve estas advertencias e instrucciones para poder consultarlas posteriormente.

⚠ ¡ADVERTENCIA! Nunca permita que niños o personas no familiarizadas con las instrucciones utilicen este producto. Las regulaciones locales pueden restringir la edad del operario.

APRENDIZAJE

- Lea las instrucciones cuidadosamente. Familiarícese con los controles y el uso adecuado del producto.
- Tenga presente que el operario o usuario es responsable de los accidentes o riesgos que le puedan ocurrir a otras personas o a su propiedad.
- No utilice el producto si está cansado, enfermo o bajo la influencia de drogas, alcohol o medicamentos.

PREPARACIÓN

- Algunas regiones tienen normativas que restringen el uso del producto para algunas operaciones. Consulte con su autoridad local para obtener información.
- Lleve puesta una protección para los oídos en todo momento mientras maneja el aparato. El producto es ruidoso y, en caso de que no se respeten escrupulosamente las

precauciones establecidas para limitar su exposición y reducir el nivel de ruido, puede provocar lesiones auditivas permanentes.

- Lleve puesta una protección total para los ojos en todo momento mientras maneja este aparato. Utilice una máscara facial completa o gafas totalmente cerradas. Las gafas normales o de sol no son una protección adecuada. En cualquier momento, los objetos pueden salir despedidos a gran velocidad debido al potente chorro de aire y pueden rebotar en superficies duras hacia el operador.
- Mientras esté manipulando el producto, use siempre calzado sólido y pantalones largos. No utilice la máquina si está descalzo o lleva sandalias. Evite usar ropa suelta o de la que cuelguen cordones o lazos.
- No lleve ropa suelta ni abalorios que pueda absorber la entrada de aire. Recoja el cabello largo para que quede por encima del nivel de los hombros y evitar así que se enmarañe en cualquier pieza móvil.
- Antes de cada uso, asegúrese de que todos los controles y dispositivos de seguridad funcionan correctamente. No utilice el aparato si el interruptor "off" no para el motor.
- Operar el producto en la posición recomendada y sólo en una superficie firme y nivelada.
- No haga funcionar la máquina en una superficie pavimentada o con grava donde el material eyectado pueda causar lesiones.
- Compruebe siempre que no hay daños en la carcasa antes de cada uso. Asegúrese de que las protecciones y los mangos están en su sitio y bien fijados. Reemplace los componentes desgastados o dañados en grupos para preservar el equilibrio. Reemplace las etiquetas ilegibles o dañadas.
- No haga funcionar la máquina mientras haya cerca personas, especialmente niños, o animales.
- Mantenga todos los orificios de refrigeración libres de cualquier residuo.
- Utilice rastrillos y escobillas para ablandar los restos antes de soplar.
- Limpie el área de trabajo antes de cada uso. Retire todos los objetos como piedras, cristales rotos, clavos, alambre o cuerda que puedan volar a una distancia considerable a alta velocidad.
- El uso prolongado de una herramienta puede causar o agravar lesiones. Al

utilizar cualquier herramienta durante períodos prolongados asegúrese de tomar descansos regulares.

USO Y CUIDADO DE LA HERRAMIENTA

- Recargue la unidad solamente con el cargador especificado por el fabricante. Podría haber un riesgo de incendio cuando se utilice un cargador con una batería para la que no está diseñado.
- Utilice sólo herramientas eléctricas específicamente diseñadas para ellos. Utilizar cualquier otro tipo de baterías puede causar lesiones o un riesgo de incendio.
- Cuando la batería no está en uso, manténgala alejada de otros objetos metálicos como clips, monedas, llaves, clavos, tornillos u otros objetos metálicos pequeños que puedan crear una conexión desde una terminal a otra. Causar un cortocircuito en los terminales de la batería puede causar quemaduras o un incendio.
- En condiciones abusivas, podría salir expulsado líquido de la batería, por lo que debería evitar el contacto con éste. Si se produce un contacto accidental, enjuáguese las manos con agua. Si el líquido entra en contacto con los ojos, acuda inmediatamente al médico. Si el líquido es expulsado de la batería y entra en contacto con él, podría causar irritación o quemaduras.
- No utilice un paquete de baterías o una herramienta que esté dañado o modificado. Las baterías dañadas o modificadas pueden presentar un comportamiento impredecible y provocar fuego, explosión o riesgo de lesión.
- No exponga el paquete de baterías o la herramienta al fuego o a temperaturas excesivas. La exposición al fuego o a una temperatura excesiva superior a 130 °C puede provocar una explosión.
- Siga todas las instrucciones de carga y no cargue el paquete de baterías o la herramienta fuera del rango de temperatura especificado en las instrucciones. La carga inadecuada o a temperaturas fuera del rango especificado puede dañar la batería e incrementar el riesgo de fuego.

UTILIZACIÓN

- Utilice la máquina sólo a horas razonables - no muy temprano por la mañana o tarde

por la noche cuando pueda molestar a otras personas.

- No utilice el producto en atmósferas explosivas.
- Evite utilizar el aparato en malas condiciones atmosféricas, especialmente cuando haya riesgo de relámpago.
- Mantenga a los transeúntes, a los niños y a los animales a 15 m de distancia de la zona de operación. Apague el aparato si alguien entra en el área.
- No utilice el producto en malas condiciones lumínicas. El operador debe tener una visión clara de la zona de trabajo para identificar peligros potenciales.
- Utilizar herramientas similares a poca distancia aumenta tanto el riesgo de lesión auditiva como el riesgo potencial de que otras personas accedan a su área de trabajo.
- Asegúrese siempre de mantener el equilibrio y de no situarse en pendientes. Camine, nunca corra.
- Mantenga su pisada firme y su equilibrio. No se extienda demasiado. Si lo hace, podrá perder el equilibrio.
- No haga funcionar el aparato con cubiertas o protecciones defectuosas, o sin dispositivos de seguridad en su lugar.
- Para reducir el riesgo de lesión asociado con el contacto con las piezas giratorias, apague siempre el producto y extraiga la batería. Asegúrese de que todas las partes móviles se han detenido por completo:
 - antes de dejar el producto sin vigilancia
 - antes de eliminar cualquier obstrucción
 - antes de inspeccionar, limpiar o trabajar con el producto
 - antes de inspeccionar el producto después de golpear un objeto extraño
 - si el producto empieza a vibrar de forma anormal (comprobar inmediatamente)
- Apague inmediatamente la unidad y retire la batería en caso de accidente o avería. No vuelva a utilizar el producto hasta que un servicio de mantenimiento autorizado lo haya inspeccionado completamente.
- No modifique la herramienta de modo alguno ni utilice piezas o accesorios que no sean los recomendados por el fabricante.

- Si el aparato se cae, sufre un impacto fuerte o empieza a vibrar de manera anormal, párelo inmediatamente y compruebe si está dañado o identifique el motivo de la vibración. La reparación de daños y la sustitución de piezas deben ser realizadas por un centro de servicio autorizado.

⚠ **¡ADVERTENCIA!** El producto se puede suministrar con un arnés. Ajuste con cuidado el arnés para ayudarle a soportar el peso del producto más cómodamente.

Identifique el mecanismo de liberación rápida y practique utilizándolo antes de empezar a usar la máquina. Su uso correcto puede evitar lesiones graves en caso de emergencia. Nunca lleve ropa adicional sobre el arnés ni dificulte el acceso al mecanismo de extracción rápida.

ADVERTENCIAS DE SEGURIDAD SOBRE EL SOPLADOR

- Use una máscara de filtro en condiciones en las que haya mucho polvo para reducir el riesgo de lesiones asociadas con la inhalación de polvo.
- Humedezca ligeramente las superficies cubiertas de polvo.
- No maneje la máquina cerca de ventanas abiertas.
- Utilice toda la extensión de la boquilla del soplador para que el chorro de aire incida cerca del suelo y funcione de forma efectiva.
- No dirija la boquilla del soplador hacia personas o animales domésticos.
- No coloque objetos dentro de los tubos del soplador.
- No coloque el producto encima o cerca de restos sueltos. Los restos de basura pueden ser absorbidos por el orificio de entrada de aire dañando como resultado la unidad.

ADVERTENCIAS DE SEGURIDAD DE LA BATERÍA ADICIONAL

Para reducir el riesgo de incendio, lesiones personales y daños al producto provocados por un cortocircuito, nunca sumerja el producto, la batería o el cargador en líquido, ni permita que un líquido fluya por su interior. Los fluidos corrosivos o conductivos, como el agua de mar, ciertos productos químicos industriales y blanqueadores o lejías que contienen, etc., Pueden causar un cortocircuito.

TRANSPORTE Y ALMACENAMIENTO

- Apague el producto, extraiga la batería y deje que el producto se enfríe antes de almacenarlo o transportarlo.
- Limpie todo el material extraño que pueda permanecer en el producto. Guarde en una zona seca y bien ventilada, a la que no puedan acceder los niños. Almacene el producto lejos de agentes corrosivos como sales de deshielo y productos químicos de jardín. No guarde el producto a la intemperie.
- Para transportar el producto, sujételo de modo que no se mueva ni se caiga para evitar lesiones personales o daños al producto.

TRANSPORTE DE BATERÍAS DE LITIO

Transporte de baterías de acuerdo con las disposiciones y reglamentos nacionales y locales.

Cumpla todos los requisitos especiales relativos al embalaje y etiquetado cuando el transporte de baterías se lleve a cabo por un tercero. Asegúrese de que, durante el transporte, las baterías no entran en contacto con otras baterías o materiales conductores protegiendo los conectores expuestos con tapones o tapas aislantes de material no conductor. No transporte baterías que tengan grietas o fugas. Consulte a la empresa de transporte para obtener más asesoramiento.

MANTENIMIENTO

- Utilice sólo piezas y accesorios de recambio originales del fabricante. Si no lo hace podría ocurrir un mal funcionamiento, podrían producirse daños o podría quedar anulada la garantía.
- Las reparaciones requieren tener mucho cuidado y conocimiento y sólo debe realizarse por un técnico de servicio calificado. Solicite la reparación del producto únicamente en un centro de servicio autorizado.
- Verifique a intervalos frecuentes si todas las tuercas, pernos y tornillos están apretados apropiadamente para asegurarse de que el producto esté en buenas condiciones de trabajo. Cualquier pieza dañada debe ser sustituida o reparada adecuadamente por un centro de servicio autorizado.

- Lleve el aparato a un centro de servicios autorizado para sustituir las etiquetas dañadas o ilegibles.
- Usted puede realizar los ajustes y reparaciones descritos en este manual del usuario. Para otras reparaciones o consejos, busque la ayuda de un centro de servicio autorizado.
- Limpiar el producto con un paño suave seco después de cada uso.

DESPEJAR UN BLOQUEO

- Para reducir el riesgo de lesión asociado con el contacto con las piezas giratorias, apague siempre el producto, extraiga la batería y asegúrese de que todas las piezas móviles se hayan detenido por completo.
- Quite los tubos sopladores para comprobar el atasco. Despeje los tubos si fuera necesario.
- Reinstale los tubos del soplador antes de encender el producto.

CONOZCA SU PRODUCTO

Véase la página 111.

1. Gatillo de encendido/apagado (On/Off)
2. Mango
3. Conexión a la batería
4. Cierre
5. Tubo de sopló
6. Manual del usuario
7. Batería
8. Cargador

SÍMBOLOS



Advertencia



Lea y entienda todas las instrucciones antes de utilizar el producto. Siga todas las advertencias e instrucciones de seguridad.



Utilice protección ocular y auditiva.



No la exponga a la lluvia o a lugares húmedos.



Ventiladores de rotación. Mantenga las manos y los pies apartados de las aberturas mientras el aparato está en funcionamiento.



Mantenga a todas las personas, especialmente niños, y a las mascotas que se encuentren en las inmediaciones a una distancia segura del área de trabajo.



Nivel de potencia acústica garantizado



No deseche los residuos de baterías, aparatos eléctricos y electrónicos como residuos municipales no clasificados. Los residuos de baterías, aparatos eléctricos y electrónicos se deben recoger de forma independiente. Los residuos de baterías, acumuladores y fuentes de luz se deben retirar de los aparatos. Consulte a sus autoridades locales o a su vendedor para obtener información sobre reciclaje y puntos de recogida. De acuerdo con lo establecido en las normativas locales, los establecimientos minoristas pueden tener la obligación de recuperar los residuos de baterías, aparatos eléctricos y electrónicos de forma gratuita. Su contribución a la hora de reutilizar y reciclar los residuos de baterías y los residuos de aparatos eléctricos y electrónicos ayuda a reducir la demanda de materias primas. Los residuos de baterías, en especial las que contienen litio, y los residuos de aparatos eléctricos y electrónicos contienen materiales valiosos que se pueden reciclar, y que podrían afectar de forma negativa al medio ambiente y a la salud humana si no se desechan de un modo medioambientalmente responsable. Si lo hubiera, elimine cualquier dato personal de los residuos de los aparatos.

IT TRADUZIONE DELLE ISTRUZIONI ORIGINALI

La progettazione di questo soffiatore senza fili è stata effettuata dando massima priorità a criteri di sicurezza, prestazioni e affidabilità.

UTILIZZO RACCOMANDATO

Il soffiatore senza fili è pensato solo per uso esterno, in condizioni bene illuminate e asciutte.

Prodotto non inteso per essere utilizzato da bambini o persone con ridotte capacità fisiche, mentali o sensoriali.

Prodotto adatto a soffiare detriti leggeri come foglie, erba, e altri scarti da giardino.

Non utilizzare per altri scopi.

AVVERTENZE GENERALI DI SICUREZZA

⚠ AVVERTENZA! Leggere tutte le avvertenze di sicurezza e le istruzioni.

La mancata osservanza di tutte le istruzioni potrà causare scosse elettriche, incendi e/o gravi lesioni personali. Conservare le presenti avvertenze ed istruzioni per poterle consultare in seguito.

⚠ AVVERTENZA! Non lasciare che bambini o persone che non conoscono le istruzioni lo utilizzino. Leggi locali possono limitare l'età dell'operatore.

UTILIZZO

- Leggere attentamente le istruzioni. Familiarizzare con i comandi e il corretto utilizzo del prodotto.
- Ricordare che l'operatore sarà responsabile di eventuali lesioni o danni a persone o cose.
- Non usare il prodotto in caso di stanchezza, malessere o sotto gli effetti di droghe, alcool o farmaci.

PREPARAZIONE

- In alcune regioni norme specifiche limitano l'utilizzo del prodotto ad alcune operazioni. Rivolgersi alle autorità locali per eventuali consigli.
- Indossare sempre cuffie per le orecchie mentre si mette in funzione il prodotto. Il prodotto è rumoroso e non rispetta rigorosamente le precauzioni per limitare l'esposizione e ridurre i rumori che

potrebbero causare lesioni permanenti all'orecchio.

- Indossare sempre la protezione completa occhi mentre si utilizza questo prodotto. Indossare una maschera facciale completa o occhiali completamente chiusi. Normali occhiali scuri o da sole non costituiscono una protezione adeguata. Oggetti potranno essere scagliati ad alta velocità dal potente getto d'aria in un qualsiasi momento e potranno essere scagliati da superfici dure contro l'operatore.
- Mentre si mette in funzione il prodotto indossare sempre calzature resistenti e pantaloni lunghi. Non mettere in funzione l'utensile se scalzi o se si indossano sandali. Evitare di indossare abiti con parti svolazzanti o con cordicelle o lacci.
- Non indossare abiti con parti svolazzanti o gioielli che potranno essere aspirati nelle griglie dell'aria. Assicurare i capelli lunghi al di sopra delle spalle per evitare che rimangano impigliati nelle parti in movimento.
- Assicurarsi prima di ciascun utilizzo che tutti i comandi e i dispositivi di sicurezza funzionino correttamente. Non utilizzare l'utensile se l'interruttore "off" (spento) non arresta il motore.
- Mettere in funzione il prodotto nella posizione raccomandata e solo su una superficie ben bilanciata ed equilibrata.
- Non mettere in funzione la macchina su superfici pavimentate o con ciottoli o materiali che potranno essere scagliato verso l'operatore ferendolo.
- Prima di ogni utilizzo, controllare sempre la sede dell'utensile per individuare eventuali danni. Assicurarsi che i dispositivi di protezione e i manici siano stati montati correttamente e siano assicurati saldamente. Sostituire i componenti consumati o danneggiati in gruppo per mantenere l'equilibrio. Sostituire le parti danneggiate o le etichette illeggibili.
- Non mettere mai in funzione l'utensile in presenza di osservatori, soprattutto bambini, o animali.
- Rimuovere eventuale materiale di scarto dalle griglie dell'aria.
- Utilizzare rastrelli e scope per raggruppare i detriti da aspirare.

- Pulire l'area di lavoro prima di ogni utilizzo. Rimuovere tutti gli oggetti come rocce, vetri rotti, chiodi, cavi, o fili che potranno essere soffiati via da aria ad alta velocità.
- Il prolungato utilizzo dell'utensile potrà causare o aggravare lesioni. Quando si utilizza questo utensile per periodi di tempo prolungati, assicurarsi di fare sempre delle pause regolari.

UTILIZZO E MANUTENZIONE DI UN UTENSILE A BATTERIE

- Ricaricare solo con il caricatore indicato dalla ditta produttrice. Un caricatore adatto per un tipo di batterie potrà creare un rischio di incendio se utilizzato con un altro gruppo batterie.
- Utilizzare elettro utensili solo con i gruppi batteria indicati. L'utilizzo di gruppi batteria diversi da quelli indicati potrà causare rischi di lesioni e incendi.
- Quando il gruppo batterie non viene utilizzato, tenerlo lontano da oggetti in metallo come fermagli, monete, chiavi, chiodi, viti o altri piccoli oggetti che potranno fare da tramite da un terminale all'altro. Cortocircuitare i terminali della batteria assieme potrà causare scottature o incendi.
- Se sottoposto a stress, la batteria potrà perdere dei liquidi; evitare il contatto. Se si entra accidentalmente in contatto con tali liquidi, lavarsi immediatamente con acqua. Se il liquido entra negli occhi, rivolgersi a un medico. Il liquido espulso dalla batteria potrà causare irritazioni o scottature.
- Non utilizzare batterie o strumenti danneggiati o alterati. Le batterie danneggiate o alterate potrebbero avere un comportamento imprevedibile e causare incendi, esplosioni o rischio di lesioni.
- Non esporre le batterie o gli utensili a temperature eccessive. L'esposizione al fuoco o a temperature eccessive oltre i 130 °C potrebbero causare l'esplosione.
- Seguire tutte le istruzioni per la ricarica e non ricaricare le batterie o gli utensili all'infuori dell'intervallo di temperature specificato nelle istruzioni. Eseguire la ricarica in modo improprio o all'infuori dell'intervallo specificato potrebbe danneggiare la batteria e aumentare il rischio d'incendio.

UTILIZZO

- Mettere in funzione l'utensili a orari ragionevoli – mai al mattino presto o a tarda sera per non disturbare altre persone.
- Non mettere mai in funzione il prodotto in un'atmosfera esplosiva.
- Evitare di utilizzare il prodotto in cattive condizioni climatiche soprattutto in caso di rischi di fulmini.
- Tenere osservatori, bambini e animali ad almeno 15 metri di distanza dall'area delle operazioni. Arrestare il prodotto nel caso in cui eventuali osservatori entrino nell'area di lavoro.
- Non utilizzare l'utensile in condizioni di scarsa illuminazione. L'area di lavoro deve essere pulita per essere in grado di individuare potenziali rischi.
- Mettere in funzione utensili simili troppo vicino al proprio corpo aumenterà il rischio di lesioni all'udito e i rischi potenziali per le persone che entrano nell'area di lavoro.
- Mantenere l'equilibrio su terreni in discesa. Camminare, non correre mai.
- Mantenere sempre un appoggio saldo e l'equilibrio. Non protendersi. Protendersi potrà causare una perdita di equilibrio.
- Non mettere in funzione l'utensile in caso di paralame o schermi difettosi, oppure senza dispositivi di sicurezza correttamente montati.
- Per ridurre il rischio di lesioni associate al contatto con le parti rotanti, spegnere sempre il prodotto e rimuovere il pacco batteria. Assicurarsi che tutte le parti in movimento si siano arrestate:
 - prima di lasciare il prodotto incustodito
 - prima di rimuovere i blocchi
 - prima di svolgere le operazioni di controllo o pulizia sul prodotto o prima di utilizzarlo
 - prima di ispezionare il prodotto dopo aver colpito un corpo estraneo
 - se il prodotto inizia a vibrare in maniera anormale (controllare immediatamente)
- Spegnere immediatamente il prodotto e rimuovere il pacco batteria in caso di incidente o guasto. Non utilizzare di nuovo il prodotto finché non è stato controllato a fondo da un centro di assistenza autorizzato.
- Non modificare l'utensile in alcun modo né utilizzare parti e accessori non raccomandati dalla ditta produttrice.

- Se il prodotto cade, subisce impatti pesanti o inizia a vibrare in maniera anomala, arrestarlo e controllare eventuali danni per identificare la causa delle vibrazioni. Riparare eventuali danni o far sostituire i pezzi da un centro servizi autorizzato.

⚠ AVVERTENZA! Il prodotto potrebbe essere dotato di imbracatura. Regolare attentamente la cinghia per aiutare a sostenere in maniera comoda il peso del prodotto.

Identificare il meccanismo a rilascio veloce e fare pratica nell'utilizzarlo prima di mettere in funzione la macchina. L'utilizzo corretto può prevenire gravi lesioni in caso d'emergenza. Non indossare altri capi di abbigliamento sulla cinghia da spalla né limitare in qualsiasi caso l'accesso al meccanismo di rilascio rapido.

AVVERTENZE DI SICUREZZA DEL SOFFIATORE

- Se l'utilizzo dell'apparecchio produce polvere, indossare una maschera in grado di filtrare le particelle della polvere per evitare i rischi legati all'inalazione di polveri nocive.
- Inumidire le superfici con una leggera presenza di polvere.
- Non mettere in funzione accanto a finestre.
- Utilizzare l'estensione ugello per soffiatore in modo che il flusso dell'aria potrà funzionare a poca distanza dal terreno garantendo così prestazioni ottimali.
- Non rivolgere la bocca del soffiatore verso persone o animali domestici.
- Non posizionare oggetti nei tubi del soffiatore.
- Non posizionare il prodotto sopra o vicino a detriti sfusi. Detriti molto piccoli potranno essere aspirati nelle griglie di aspirazione causando gravi danni all'unità.

AVVERTENZE AGGIUNTIVE PER LA SICUREZZA DELLA BATTERIA

Per ridurre il rischio di incendio, lesioni personali e danni al prodotto dovuti a corto circuito, non immergere mai il prodotto, il pacco batteria o il caricabatterie in liquidi, né favorire la penetrazione di liquidi al loro interno. I fluidi corrosivi o conduttori come acqua salata, alcuni agenti chimici, agenti candeggianti o prodotti contenenti agenti candeggianti potrebbero provocare un corto circuito.

TRASPORTO E RIPONIMENTO

- Spegnere il prodotto, rimuovere il pacco batteria e lasciare che si raffreddi prima di conservarlo o trasportarlo.
- Rimuovere eventuali materiali di scarto dal prodotto. Riporre in un luogo asciutto e ben ventilato non accessibile ai bambini. Tenere il prodotto lontano da agenti corrosivi come agenti chimici da giardino e sali scongelanti. Non conservare il prodotto all'aperto.
- Per il trasporto, assicurare il prodotto contro ogni movimento o contro eventuali cadute per evitare lesioni a persone o danni al prodotto.

TRASPORTO BATTERIE AL LITIO

Trasportare le batterie rispettando quanto indicato dalle norme e regolamentazioni locali.

Far rispettare quanto indicato sulle etichette e sull'involucro quando la batteria viene trasportata da terzi. Assicurarsi che le batterie non entrino in contatto con altre batterie o con materiali conduttivi mentre si trasportano proteggendo connettori esposti con tappi o nastro isolante e non conduttivo. Non trasportare batterie rotte o che perdono liquidi. Consultare la ditta produttrice per eventuali ulteriori consigli.

MANUTENZIONE

- Utilizzare solo parti di ricambio, accessori e dispositivi originali della ditta produttrice. In caso contrario si potranno causare lesioni, prestazioni basse e la garanzia verrà invalidata.
- Le operazioni di manutenzione devono essere svolte con grande attenzione e accortezza solo da un tecnico qualificato. Far riparare il prodotto esclusivamente da un centro assistenza autorizzato.
- Controllare frequentemente dadi, bulloni e viti, verificando che siano stati assicurati correttamente per fare in modo che il prodotto garantisca condizioni di lavoro ottimali. Riparare eventuali parti danneggiate o farle sostituire da un centro servizi autorizzato.
- Portare il prodotto presso un centro servizi autorizzato per sostituire le parti danneggiate o le etichette illeggibili.

- L'operatore potrà fare le regolazioni e riparazioni descritte nel presente manuale. Per altre riparazioni o consigli, rivolgersi a un centro servizi autorizzato.
- Dopo ogni uso, pulire il prodotto con una panno morbido e asciutto.

RIMOZIONE DI UN BLOCCO

- Per ridurre il rischio di lesioni associate al contatto con parti mobili, spegnere sempre il prodotto, rimuovere il pacco batteria e assicurarsi che tutte le parti mobili siano completamente ferme.
- Rimuovere i tubi del soffiatore e verificare la presenza di eventuali blocchi. Pulire i tubi se necessario.
- Reinstallare i tubi del soffiatore prima di avviare il prodotto.

FAMILIARIZZARE CON IL PRODOTTO

Vedere pagina 111.

1. Grilletto On/Off (Acceso/Spento)
2. Manico
3. Connessione alla batteria
4. Linguetta
5. Tubo soffiatore
6. Manuale dell'operatore
7. Batteria
8. Caricatore

SIMBOLI



Avvertenza



Prima di utilizzare il prodotto leggere e comprendere tutte le istruzioni. Osservare tutte le avvertenze e le istruzioni di sicurezza.



Indossare protezione occhi e orecchie.



Non esporre a pioggia o umidità.



Ventole rotanti. Tenere mani e piedi lontani dalle aperture mentre il prodotto è in funzione.



Tenere tutti i presenti, in particolare i bambini, nonché gli animali domestici a distanza di sicurezza dall'area operativa.



Livello di potenza acustica garantito

Non smaltire le batterie scariche e altre apparecchiature elettriche ed elettroniche come normali rifiuti. Le batterie scariche e i dispositivi elettrici ed elettronici dovranno essere raccolti separatamente. Le batterie usate, gli accumulatori e le fonti luminose non più utilizzabili dovranno essere rimossi dall'apparecchiatura. Consultare l'autorità locale o il rivenditore per consigli sullo smaltimento e il punto di raccolta. In base alle normative locali i rivenditori potrebbero avere l'obbligo di riprendersi le batterie usate e le apparecchiature elettriche ed elettroniche gratuitamente. Il vostro contributo al riciclaggio delle batterie e delle apparecchiature elettriche ed elettroniche aiuta a ridurre la richiesta di materie prime. Le batterie usate, in particolare quelle che contengono litio e le apparecchiature elettriche ed elettroniche contengono materiali preziosi e riciclabili che potrebbero avere un impatto avverso sull'ambiente e la salute umana, se non smaltiti in un modo ecocompatibile. Eliminare i dati personali, se presenti, dalle apparecchiature da buttare.



NL VERTALING VAN DE ORIGINELE INSTRUCTIES

Bij het ontwerp van uw snoerloze bladblazer hebben veiligheid, prestaties en betrouwbaarheid de hoogste prioriteit gekregen.

VOORGESCHREVEN GEBRUIK

De snoerloze bladblazer is uitsluitend bedoeld voor gebruik buitenshuis in een droge en goed verlichte omgeving.

Het product is niet geschikt voor gebruik door kinderen of personen met verminderde fysieke, mentale of zintuigelijke vermogens.

Het product is bedoeld voor het blazen en opzuigen van licht afval, waaronder bladeren, gras en ander tuinafval.

Gebruik het product niet voor andere doeleinden.

ALGEMENE VEILIGHEIDSWAARSCHUWINGEN

⚠ WAARSCHUWING! Lees alle veiligheidswaarschuwingen en instructies. Wanneer niet de waarschuwingen en instructies niet opvolgt, kan dit leiden tot elektrische schok en/of ernstig letsel. Bewaar deze waarschuwingen en voorschriften zorgvuldig om ze ook later te kunnen inzien.

⚠ WAARSCHUWING! Laat kinderen of personen die niet vertrouwd zijn met deze instructies, het product gebruiken. De plaatselijke wetgeving kan beperkingen opleggen i.v.m. de leeftijd van de bediener.

OPLEIDING

- Lees zorgvuldig de instructies. Zorg ervoor dat u bekend bent met de bediening en het juiste gebruik van het product.
- Bedenk dat de bediener of gebruiker verantwoordelijk is voor ongelukken of gevaren die andere mensen of hun eigendom overkomen.
- Gebruik het product niet als u moe, ziek of onder de invloed van drugs, alcohol of medicijnen bent.

VOORBEREIDING

- In enkele streken gelden regels die het gebruik van het product tot enkele handelingen beperken. Raadpleeg uw lokale autoriteit voor advies.

- Draag steeds gehoorbescherming terwijl u dit product gebruikt. Het apparaat maakt veel lawaai en als u zich niet strikt houdt aan de voorzorgsmaatregelen om uw blootstelling te beperken en het lawaai te verminderen, kan dit leiden tot blijvend gehoorverlies.
- Draag steeds volledige gezichtsbescherming terwijl u dit product gebruikt. Draag een gelaatsmasker of een volledig gesloten bril. Een normale bril of zonnebril is geen afdoende bescherming. Voorwerpen kunnen tegen hoge snelheid door een krachtige luchtstoot worden weggeslingerd en vanaf een hard oppervlak in de richting van de bediener worden teruggestuurd.
- Terwijl u het product bedient, draagt u altijd stevig schoeisel en een lange broek. Gebruik de machine wanneer u blootsvoets bent of open sandalen draagt. Draag geen loszittende kledij of kledij met loshangende snoeren of touwen.
- Draag geen losse kledij of juwelen die in de luchtinlaat kunnen worden ingetrokken. Maak lang haar vast boven schouderhoogte om te voorkomen dat het verstrikt raakt in de bewegende delen.
- Controleer voor elk gebruik of alle bedieningsknoppen en veiligheidsinrichtingen goed functioneren. Gebruik het werktuig niet als de "uit"-knop het product niet stilllegt.
- Gebruik het product in de aangewezen positie en uitsluitend op een stevig, vlak oppervlak.
- Gebruik de machine niet op een geasfalteerd of grintoppervlak waar uitgeworpen materiaal verwondingen kan veroorzaken.
- Inspecteer voor elk gebruik de behuizing op schade. Zorg ervoor dat de beschermers en handvatten zijn geïnstalleerd en stevig vastgemaakt. Vervang versleten of beschadigde onderdelen in sets om het evenwicht te bewaren. Vervang beschadigde of onleesbare etiketten.
- Gebruik de machine nooit wanneer zich mensen, in het bijzonder kinderen, en dieren in de buurt bevinden.
- Houd alle koelluchtinlaten vrij van afval.
- Gebruik een riek en/of bezem om het tuinafval los te woelen voordat u de bladblazer gaat gebruiken.

- Maak voor elk gebruik de werkplek vrij. Verwijder alle objecten, zoals stenen, gebroken glas, nagels, ijzerdraad of kunststof draad, die een aanzienlijke afstand en hard kunnen worden weggeblazen.
- Letsels kunnen worden veroorzaakt of ernstiger worden door verlengd gebruik van een werktuig. Als u een werktuig gedurende langere periodes gebruikt, neem dan regelmatig pauze.

GEBRUIK EN ONDERHOUD VAN HET ACCU AANGEDREVEN WERKTUIG

- Herlaad enkel met de oplader die door de fabrikant is gespecificeerd. Een oplader die voor een type accupack is geschikt kan een brandgevaar betekenen wanneer het met een ander accupack wordt gebruikt.
- Gebruik elektrisch gereedschap uitsluitend met de specifiek toegewezen accupacks. Het gebruik van andere accupacks kan leiden tot risico's op letsels en brand.
- Wanneer het accupack niet wordt gebruikt, moet u het weg houden van andere metalen objecten, zoals papierclips, munten, sleutels, spijkers, schroeven of andere kleine metalen voorwerpen die een verbinding kan maken van een terminal naar een andere. De batterijterminals kortsluiten kan leiden tot brandwonden of brand.
- In oneigenlijke omstandigheden, kan een vloeistof uit de accu lekken; vermijd contact hiermee. Als per ongeluk contact voorkomt, spoelt u met water. Als de vloeistof in contact komt met de ogen, dient u bijkomend medische hulp te raadplegen. Vloeistof die uit de accu lekt, kan irritatie of brandwonden veroorzaken.
- Gebruik geen beschadigde of gewijzigde accu of gereedschap. Beschadigde of gewijzigde accu's kunnen onvoorspelbaar gedrag vertonen en leiden tot brand, explosies, of het risico op letsel.
- Stel accu's of gereedschap niet bloot aan vuur of hoge temperaturen. Blootstelling aan vuur of extreme temperaturen boven 130 °C kan explosies veroorzaken.
- Volg alle instructies en laad de accu of het gereedschap niet op buiten het temperatuurbereik dat in de handleiding wordt aangegeven. Onjuist opladen of opladen bij temperaturen buiten het aangegeven bereik kan schade aan de accu veroorzaken en risico op brand verhogen.

BEDIENING

- Gebruik de machine uitsluitend op redelijke tijdstippen – niet heel vroeg op de ochtend of 's avonds laat als dit mensen kan hinderen.
- Gebruik het product nooit in een explosieve atmosfeer.
- Vermijd gebruik van het product bij slecht weer, vooral als er gevaar voor bliksem bestaat.
- Houd omstaanders, kinderen en huisdieren op tenminste 15 m afstand van het werkgebied. Leg het product stil als iemand het werkgebied betreedt.
- Gebruik het product niet bij slechte verlichting. De gebruiker heeft een duidelijk overzicht nodig van het werkgebied om mogelijke gevaren te identificeren.
- Het gebruik van gelijksoortige apparaten in de nabijheid verhoogt het risico van letsel en de mogelijkheid dat er andere mensen in uw werkgebied komen.
- Zorg ervoor dat u altijd stevig vast staat op hellingen. Loop gewoon, ga nooit rennen.
- Bewaar steeds een stevige houvast en goed evenwicht. Overrek u niet. Rek u niet uit, waardoor u uw evenwicht kunt verliezen.
- Gebruik de machine nooit wanneer beschermers of schilden defect zijn of zonder dat de veiligheidsvoorzieningen zijn gemonteerd.
- Schakel het product en verwijder de accu om het risico op verwonding door het aanraken van draaiende onderdelen te verlagen. Zorg ervoor dat alle bewegende delen volledig tot stilstand zijn gekomen:
 - voordat u het product onbewaakt achterlaat
 - voordat u een obstructie verwijdert
 - voordat u het product controleert, reinigt of er werkzaamheden aan verricht
 - voordat u het product inspecteert na een botsing met een vreemd voorwerp
 - als het product abnormaal begint te trillen (onmiddellijk controleren)
- Schakel het apparaat onmiddellijk uit en verwijder de accu in geval van een ongeluk of defect. Gebruik het product niet opnieuw totdat het volledig is gecontroleerd door een erkend onderhoudscentrum.

- Het apparaat op geen enkele wijze aanpassen of reserveonderdelen gebruiken die niet worden aanbevolen door de fabrikant.
- Als u het product laat vallen, het een ernstige impact ondergaat of abnormaal begint te trillen, legt u het product onmiddellijk stil en controleert u het op schade of zoekt u naar de oorzaak van de trillingen. Enige schade moet direct worden gerepareerd of vervangen door een bevoegd onderhoudscentrum.

⚠ **WAARSCHUWING!** Het apparaat is desgewenst verkrijgbaar met een draagriem. Stel het harnas voorzichtig af om op een comfortabele manier te helpen het gewicht van het product te dragen.

Zoek het snelle ontgrendelmechanisme en oefen dit voor u de machine begint te gebruiken. Een goed gebruik kan ernstig letsel vermijden bij een noodgeval. Draag nooit extra kleding over het harnas. Ook mag u niet op andere wijze de toegang tot het snelkoppelingmechanisme belemmeren.

VEILIGHEIDSWAARSCHUWINGEN VOOR BLAZER

- Draag een mondmasker in stoffiger omstandigheden om het risico op letstels verbonden met het inademen van stof, te verminderen.
- Bevochtig de oppervlakken iets in stoffige omstandigheden.
- Gebruik de machine niet in de buurt van een open raam.
- Gebruik de volledige verlengstuk van het blazermondstuk zodat de luchtstroom dicht bij de grond kan werken en goede prestaties kan leveren.
- Richt de blazermond nooit in de richting van mensen of huisdieren.
- Plaats nooit objecten in de blaasbuizen.
- Plaats het product niet boven op of in de buurt van los afval. Het afval kan in de inlaatopening worden gezogen waardoor deze mogelijk beschadigd raakt.

EXTRA VEILIGHEIDSWAARSCHUWINGEN ACCU

Dompel uw accu of oplader nooit onder in vloeistof en laat er nooit vloeistof instromen, zulks om het risico op brand, persoonlijk

letsel en productschade door kortsluiting te verminderen. Corrosieve of geleidende vloeistoffen zoals zout water, bepaalde chemicaliën, bleekmiddelen of producten die bleekmiddelen bevatten, kunnen een kortsluiting veroorzaken.

VERVOER EN OPSLAG

- Schakel het product uit, verwijder de accu en laat het product afkoelen voordat u het vervoert of opbergt.
- Verwijder al het vreemde materiaal van het product. Bewaar het product op een koele, droge en goed geventileerde plaats die voor kinderen ontoegankelijk is. Houd het product weg van corrosieve producten, zoals tuinchemicaliën en ontdooiingszout. Sla het product niet buitenshuis op.
- Voor transport beveiligd u het product tegen bewegen of vallen om lichamelijke letstels of schade aan het product te voorkomen.

LITHIUMBATTERIJEN TRANSPORTEREN

De accu's dienen in overeenstemming met de plaatselijk en nationale regelgeving te worden getransporteerd.

Volg alle speciale voorschriften voor verpakking en etikettering wanneer u accu's door een derde laat vervoeren. Zorg ervoor dat accu's tijdens het vervoer niet in contact kunnen komen met andere accu's of geleidende materialen door blootliggende connectoren te beschermen met isolerende, niet-geleidende doppen of tape. Transporteer geen accues die lekken of gebarsten zijn. Overleg met het transportbedrijf voor verder advies.

ONDERHOUD

- Gebruik uitsluitend originele vervangonderdelen, accessoires en voorzetstukken van de fabrikant. Doet u dat niet, dan kan dat mogelijke verwondingen veroorzaken, bijdragen tot slechte prestaties en kan uw garantie vervallen.
- Het onderhoud vereist extreme voorzichtigheid en deskundigheid en mag enkel door een gekwalificeerde onderhoudstechnicus worden uitgevoerd. Het product mag uitsluitend door een erkend servicecentrum worden gerepareerd.
- Controleer regelmatig of alle moeren, bouten en schroeven goed vastzitten, om er zeker

van te zijn dat het product in veilige staat is. Elk onderdeel dat beschadigd is, moet naar behoren gerepareerd of vervangen worden door een erkend servicecentrum.

- Breng het product naar een erkend servicecentrum om beschadigde of onleesbare etiketten te laten vervangen.
- U kunt de afstellingen en reparaties die in deze gebruiksaanwijzing worden vermeld, uitvoeren. Voor andere herstellingen of advies, vraagt u hulp in een geautoriseerd onderhoudscentrum.
- Na elk gebruik, reinigt u het product met een zachte, droge doek.

VERSTOPPING VRIJMAKEN

- Schakel het product uit, verwijder het batterijpak en zorg ervoor dat alle bewegende onderdelen volledig tot stilstand zijn gekomen om het risico op verwonding door contact met bewegende onderdelen te verlagen.
- Haal de blaasbuizen los en controleer of deze verstopt zijn. Maak indien nodig de buizen vrij.
- Plaats de bladbazerbuizen terug voordat u het product start.

KEN UW PRODUCT

Zie pagina 111.

1. Aan-/uithendel
2. Handgreep
3. Aansluiting voor het accupak
4. Knipsluiting
5. Blaasbuis
6. Gebruikershandleiding
7. Accu
8. Oplader

SYMBOLLEN



Waarschuwing



Lees en begrijp alle aanwijzingen voordat u het product gebruikt. Volg alle waarschuwingen en veiligheidsinstructies.



Draag gezichts- en oorschermering.



Het product niet blootstellen aan regen of vochtige omstandigheden.



Roterende ventilatoren. Houd handen en voeten weg van openingen terwijl het product loopt.



Houd alle omstanders, in het bijzonder kinderen en huisdieren, op een veilige afstand van het werkgebied.



Gewaarborgd geluidsvermogensniveau

Gooi afgedankte elektrische en elektronische apparatuur niet weg als ongesorteerd gemeentelijk afval. Afgedankte elektrische en elektronische apparatuur moet afzonderlijk worden ingezameld. Afvalbatterijen, afvalaccu's en lichtbronnen moeten uit de apparatuur worden verwijderd. Neem contact op met uw gemeente of winkelier voor advies over recycling en het inzamelpunt. Volgens de plaatselijke voorschriften kunnen winkeliers verplicht zijn afgedankte elektrische en elektronische apparatuur kosteloos terug te nemen. Uw bijdrage aan hergebruik en recycling van afgedankte batterijen en afgedankte elektrische en elektronische apparatuur helpt de vraag naar grondstoffen te verminderen. Afgedankte batterijen, in het bijzonder deze die lithium bevatten, en afgedankte elektrische en elektronische apparatuur bevatten waardevolle en recycleerbare materialen, die een negatief effect kunnen hebben op het milieu en de volksgezondheid, indien ze niet op een milieuvriendelijke manier worden verwijderd. Verwijder eventuele persoonlijke gegevens van afgedankte apparatuur.



PT TRADUÇÃO DAS INSTRUÇÕES ORIGINAIS

Na conceção do seu soprador sem fios foi dada a máxima prioridade à segurança, ao desempenho e à fiabilidade.

USO PREVISTO

O soprador sem fios destina-se apenas à utilização em exteriores, em condições secas e bem iluminadas.

O produto não deve ser utilizado por crianças nem por pessoas com capacidades físicas, mentais ou sensoriais reduzidas.

O produto destina-se a soprar detritos leves, incluindo folhas, grama e outros resíduos de jardim.

Não a use para nenhuma outra finalidade.

AVISOS GERAIS DE SEGURANÇA

⚠ ADVERTÊNCIA! Leia todos os avisos de segurança e todas as instruções. O facto de não seguir os avisos e as instruções pode conduzir a choque eléctrico, fogo e/ou lesão grave. Conserve estas advertências e instruções para que possa consultá-las mais tarde.

⚠ ADVERTÊNCIA! Nunca permita que crianças ou pessoas que não estejam familiarizadas com estas instruções utilizem o produto. A legislação local pode restringir a idade do operador.

FORMAÇÃO

- Leia as instruções com atenção. Familiarize-se com os controlos e a utilização adequada do aparelho.
- Mantenha em mente que o operador ou o utilizador é responsável pelos acidentes ou perigos que ocorrem a outras pessoas ou à sua propriedade.
- Não utilize o produto se sentir fadiga, doente ou se estiver sob a influência de estupefacientes, álcool ou medicamentos.

PREPARAÇÃO

- Algumas regiões têm normas que restringem o uso do produto para algumas operações. Consulte a sua autoridade local para obter informação.
- Coloque sempre uma protecção para os ouvidos enquanto manipula este aparelho. O produto emite bastante ruído e pode

provocar danos auditivos permanentes se não forem observadas as precauções para limitar a exposição e reduzir o ruído.

- Coloque sempre uma protecção total para os olhos enquanto manipula este aparelho. Use uma máscara de protecção ou óculos totalmente fechados. Os óculos normais ou de sol não são uma protecção adequada. Em qualquer momento, os objetos podem ser projetados a grande velocidade devido ao potente jorro de ar e podem fazer ricochete em superfícies duras em direção ao operador.
- Durante o funcionamento do produto, use sempre calçado forte e calças longas. Não opere a máquina se estiver descalço ou se usar sandálias. Evite usar roupa larga ou com cordões ou laços.
- Não use roupa larga nem missangas que possam ir para entrada de ar. Prenda o cabelo comprido para que fique acima do nível dos ombros para evitar que fique emaranhado em peças móveis.
- Certifique-se antes de cada uso que todos os controlos e dispositivos de segurança funcionam corretamente. Não utilize o aparelho se o interruptor “off” não parar o motor.
- Operar o produto na posição recomendada e apenas numa superfície firme e nivelada.
- Não ponha a máquina funcionar numa superfície pavimentada ou com gravilha onde o material ejectado possa causar lesões.
- Verifique sempre se não existem danos na armação antes de cada uso. Assegure-se de que as proteções e os cabos estão no seu sítio e bem fixados. Substitua os componentes desgastados ou danificados em conjunto de modo a preservar o equilíbrio. Substitua as etiquetas ilegíveis ou danificadas.
- Nunca coloque a máquina a funcionar quando pessoas, especialmente crianças ou animais de estimação estão por perto.
- Mantenha as entradas de ar para arrefecimento sem obstruções.
- Antes de apontar o soprador aos resíduos, utilize um ancinho e uma vassoura para desagregar e soltar os resíduos.
- Desimpeça a área onde pretende trabalhar antes de cada utilização. Remova todos

os objetos como pedras, cacos de vidro, pregos, arame ou fios que possam ser projetados a uma distância considerável pelo ar de alta velocidade.

- O uso prolongado de uma ferramenta pode causar o agravar lesões. Ao usar qualquer ferramenta durante períodos prolongados, assegure-se que faz intervalos regulares.

UTILIZAÇÃO E MANUTENÇÃO DA BATERIA

- Recarregue apenas com o carregador especificado pelo fabricante. Um carregador que seja adequado para um tipo de bateria pode causar risco de incêndio, quando utilizado com outra bateria.
- Use ferramentas eléctricas somente com baterias especificamente concebidas. O uso de qualquer outro tipo de bateria pode causar risco de lesões e incêndio.
- Quando a bateria não estiver a ser utilizada, mantenha-a afastada de outros objectos metálicos como cliques de papel, moedas, chaves, pregos, parafusos, ou outros pequenos objectos metálicos que podem fazer a ligação de um terminal para outro. Ligar os terminais da bateria em conjunto pode causar queimaduras ou um incêndio.
- Sob circunstâncias abusivas, o líquido pode ser ejectado da bateria, evite o contacto. Se o contacto ocorrer acidentalmente, limpe com água abundante. Se o líquido entrar em contacto com os olhos, procure adicionalmente assistência médica. O líquido ejectado da bateria pode causar irritação ou queimaduras.
- Não use um conjunto de baterias ou uma ferramenta que tenha sido sofrido danos ou modificações. Baterias danificadas ou modificadas podem ter um comportamento imprevisível, resultando em incêndio, explosão ou risco de ferimentos.
- Não exponha um conjunto de baterias ou uma ferramenta ao fogo ou a temperaturas excessivas. A exposição ao fogo ou a temperaturas excessivas (acima de 130 °C) pode causar uma explosão.
- Siga todas as instruções de carregamento e não dê carga ao conjunto de baterias ou à ferramenta fora da amplitude de temperaturas especificada nas instruções. O carregamento feito de forma incorrecta ou sob temperaturas fora da amplitude especificada pode danificar a bateria e aumentar o risco de incêndio.

UTILIZAÇÃO

- Opere a máquina apenas em horas convenientes – não cedo de manhã ou tarde à noite, quando as pessoas podem ser perturbadas.
- Nunca opere o aparelho num ambiente explosivo.
- Evite utilizar o aparelho em más condições atmosféricas, especialmente quando houver risco de relâmpago.
- Mantenha os transeuntes, as crianças e os animais a 15 m de distância da zona de operação. Desligue o aparelho se alguém entrar na área.
- Não utilize o produto em condições de má iluminação. O operador necessita de uma visão clara da área de trabalho para identificar potenciais perigos.
- Operar ferramentas similares nas proximidades aumenta tanto o risco de lesão auditiva e o potencial para outras pessoas entrarem na sua área de trabalho.
- Certifique-se sempre onde põe os pés em sítios inclinados. Ande e nunca corra.
- Mantenha-se bem apoiado e equilibrado. Não se aproxime em demasia. Tentar esticar-se demais pode provocar a perda de equilíbrio.
- Nunca coloque o aparelho a funcionar com protecções ou defesas defeituosas ou sem dispositivos de segurança.
- Para reduzir o risco de ferimentos associados ao contacto com peças rotativas, desligue sempre o produto e desmonte o conjunto de baterias. Certifique-se de que todas as peças em movimento pararam completamente:
 - antes de deixar o produto desacompanhado
 - antes de desobstruir bloqueios
 - antes de verificar, limpar ou funcionar com o produto
 - antes de inspecionar o produto após o impacto com um objeto estranho
 - se o produto começar a vibrar de forma anormal (verifique imediatamente)
- Em caso de acidente ou avaria, desligue de imediato e retire a bateria. Não volte a operar o produto enquanto não tiver sido totalmente verificado por um centro de assistência autorizado.
- Não modifique a máquina em qualquer forma nem use peças e acessórios que não sejam recomendados pelo fabricante.

TRANSPORTE E ARMAZENAMENTO

- Se o aparelho cair, sofrer um impacto forte ou começar a vibrar de maneira anormal, pare-o imediatamente e verifique se está danificado ou identifique o motivo da vibração. Qualquer dano deve ser devidamente reparado ou substituído por um centro de assistência autorizado.

⚠ **ADVERTÊNCIA!** O produto poderá ser fornecido com um arnês. Ajuste com cuidado o arnês para ajudá-lo a suportar o peso do produto mais comodamente.

Identifique o mecanismo de libertação rápida e pratique utilizando-o antes de começar a usar a máquina. A sua utilização correta pode prevenir lesões graves em caso de uma emergência. Nunca vista nenhuma roupa por cima do arnês, e certifique-se de que tem sempre livre acesso ao mecanismo de libertação rápida.

AVISOS DE SEGURANÇA RELATIVOS AO SOPRADOR

- Use uma máscara de filtro de rosto em condições de poeira para reduzir o risco de lesão associada à inalação de pó.
- Humedeça ligeiramente as superfícies em condições de poeira.
- Não utilize a máquina junto a janelas abertas.
- Use a extensão completa da boca do ventilador, de modo que o fluxo de ar possa trabalhar junto ao solo e de forma eficaz.
- Não aponte o soprador na direcção de pessoas ou animais de estimação.
- Nunca coloque objetos dentro dos tubos do soprador.
- Não assente o produto em cima nem nas proximidades de detritos soltos. Os detritos podem ser sugados para a ventilação de admissão, resultando em possíveis danos para a unidade.

AVISOS DE SEGURANÇA ADICIONAIS DAS BATERIAS

Para reduzir o risco de incêndio, ferimentos pessoais e danos ao produto causados por curto-circuito, nunca coloque o produto, o conjunto de baterias ou o carregador dentro de qualquer líquido, nem deixe que sejam penetrados por qualquer líquido. Líquidos corrosivos ou condutivos como água salgada, determinadas substâncias químicas ou produtos que contenham branqueadores podem causar um curto-circuito.

- Desligue o produto, retire sempre a bateria e permita que o produto arrefeça antes de transportá-lo ou arrumá-lo.

- Limpe todos os materiais estranhos do produto. Guarde-o num local fresco e seco e bem ventilado a que as crianças não consigam aceder. Mantenha o produto afastado de agentes corrosivos tais como produtos químicos de jardim e sais de remoção de gelo. Não guarde o produto em espaços exteriores.

- Para transportar, prenda o aparelho de modo a evitar que este se mova ou caia, para evitar lesões ou danos no produto.

TRANSPORTE DE BATERIAS DE LÍTIU

Transporte as baterias em conformidade com as disposições e regulamentos locais e nacionais.

Siga todos os requisitos especiais na embalagem e rótulos ao transportar baterias por um terceiro. Certifique-se de que nenhuma bateria pode entrar em contato com outras baterias ou materiais condutores durante o transporte protegendo os conectores expostos com tampas ou fita isoladora e não condutora. Não transporte baterias que estejam rachadas ou com fugas. Confirme com a empresa de envio para mais conselhos.

MANUTENÇÃO

- Utilize apenas peças de substituição, acessórios e encaixes do fabricante original. A inobservância desta indicação pode causar um fraco desempenho, possíveis lesões e poderá anular a sua garantia.
- Os serviços de manutenção requerem extremo cuidado e conhecimentos e devem apenas ser realizado por um técnico de assistência qualificado. Repare o seu produto exclusivamente num centro de assistência autorizado.
- Verifique todas as porcas, pregos e parafusos com intervalos frequentes para confirmar a tensão apropriada e se certificar que o produto está em condições seguras de funcionamento. Qualquer peça danificada deve ser substituída ou reparada adequadamente por um centro de serviço autorizado.

- Leve o produto a um centro de serviço autorizado para substituir as etiquetas danificadas ou ilegíveis.
- Pode realizar os ajustes e reparações descritos neste manual do utilizador. Para outros reparos ou conselhos, procurar a ajuda de um centro de serviço autorizado.
- Limpar o produto com um pano suave seco depois de cada uso.

ELIMINAR UMA OBSTRUÇÃO

- Para reduzir o risco de ferimentos associados ao contacto com peças móveis, desligue sempre o produto, retire a bateria e certifique-se de que todas a peças móveis pararam completamente.
- Desmonte os tubos de sopro e inspeccione-os, procurando bloqueios. Limpe os tubos, se necessário.
- Antes de dar arranque ao produto, volte a montar os tubos do soprador.

CONHEÇA O SEU APARELHO

Ver a página 111.

1. Botão On/Off
2. Manípulo
3. Ligação à bateria
4. Lingueta
5. Tubo de sopro
6. Manual do operador
7. Bateria
8. Carregador

SÍMBOLOS



Aviso



Antes de utilizar este produto, leia e compreenda todas as instruções neste Manual. Siga todos os avisos e todas as instruções de segurança.



Utilize protecção ocular e auditiva.



Não o exponha à chuva ou a condições de humidade.



Ventoinhas. Mantenha as mãos e os pés afastados das aberturas enquanto o aparelho está em funcionamento.



Mantenha terceiros, especialmente crianças e animais de estimação, a uma distância segura da área de trabalho.



Nível de potência sonora garantido



Não elimine baterias, pilhas, equipamentos elétricos e eletrónicos juntamente com resíduos municipais não separados. Os resíduos de baterias, pilhas e equipamentos elétricos e eletrónicos devem ser recolhidos separadamente. Os resíduos de acumulares de baterias, pilhas e fontes de luz têm de ser retirados do equipamento. Consulte a sua autoridade local ou retalhista para obter aconselhamento sobre reciclagem e pontos de recolha. De acordo com os regulamentos locais, os retalhistas têm a obrigação de receber os resíduos de baterias, pilhas e equipamentos elétricos e eletrónicos livres de encargos. O seu contributo para reutilizar e reciclar os resíduos de equipamentos elétricos e eletrónicos ajuda a reduzir a procura de matérias-primas. As baterias e pilhas usadas, em particular, contêm lítio e os resíduos de equipamentos elétricos e eletrónicos contêm materiais recicláveis preciosos, que podem afetar negativamente o meio ambiente e a saúde humana se não forem eliminados de uma forma ambientalmente compatível. Elimine os dados pessoais dos equipamentos, se existirem.

DA OVERSÆTTELSE AF DE ORIGINALE INSTRUKTIONER

Sikkerhed, ydelse og driftssikkerhed har fået topprioritet i designet af din ledningsfri blæser.

TILTÆNKT ANVENDELSESFORMÅL

Den ledningsfri blæser er kun beregnet til udendørs brug under tørre forhold og med god belysning.

Produktet er ikke beregnet til at blive benyttet af børn eller personer med nedsatte fysiske, mentale eller sensoriske evner.

Produktet er beregnet til at blæse lettere affald inkl. løv, græs og andet haveaffald.

Må ikke bruges til andre formål.

GENERELLE SIKKERHEDSADVARSLER

⚠ ADVARSEL! Alle sikkerhedsadvarsler og alle anvisninger skal læses. Manglende overholdelse af advarselne og anvisningerne kan medføre elektrisk stød, brand og/eller alvorlige personskader. Gem vejledningen med advarsler og anvisninger til senere opslag.

⚠ ADVARSEL! Lad aldrig børn eller personer uden kendskab til denne brugsanvisning bruge produktet. Lokale love kan have indflydelse på den tilladte brugeralder.

UDDANNELSE

- Læs brugsanvisningen omhyggeligt. Sørg for at blive fortrolig med betjeningselementerne samt den korrekte brug af produktet.
- Husk, at brugeren selv er ansvarlig for ulykker eller farer, som andre personer bliver udsat for.
- Anvend ikke produktet, hvis du er træt, syg eller du har taget stoffer, drukket alkohol eller taget medicin.

FORBEREDELSE

- Nogle områder har regler, som begrænser brugen af produktet til visse formål. Forhør dig hos de lokale myndigheder.
- Benyt altid fuldstændigt høreværn under brugen af produktet. Produktet er støjende, og hvis du ikke strengt overholder forholdsreglerne angående eksponeringsbegrænsning og støjreduktion, kan det forårsage permanent høreskade.

- Benyt altid fuldstændigt øjenværn under brugen af dette produkt. Bær en fuld ansigtsmaske eller helt lukkede beskyttelsesbriller. Normale briller eller solbriller yder ikke tilstrækkelig beskyttelse. Genstande kan til enhver tid blive opslugtet med høj hastighed af den kraftige luftstråle og kan springe tilbage mod operatøren, hvis de rammer hårde overflader.
- Under arbejdet med produktet skal man altid bære kraftigt fodtøj og lange bukser. Undlad at bruge maskinen barfodet eller med åbne sandaler. Undgå at bære løstsiddende tøj eller frit hængende snører eller slips.
- Undlad at benytte løstsiddende tøj eller smykker, som kan blive trukket ind i luftindgangen. Langt hår skal bindes op over skulderniveau, så det ikke risikerer at vikles sig ind i bevægelige dele.
- Inden hver brug skal man kontrollere, at alle betjeningselementer og alt sikkerhedsudstyr fungerer upåklageligt. Undlad at bruge produktet, hvis motoren ikke kan standses med "SLUK"-kontakten.
- Produktet skal benyttes i den anbefalede position og kun på et fast, plant underlag.
- Maskinen må ikke anvendes på en stenlagt eller grusoverflade, hvor udslyngt materiale kan forårsage personskader.
- Inden hver brug skal man altid efterse huset for skader. Kontrollér, at skærme og håndtag er monteret og sidder ordentligt fast. Udskift altid slidte eller beskadigede komponenter sætvis, så balancen opretholdes. Udskift beskadigede eller ulæselige mærkater.
- Brug aldrig maskinen, når der er personer, især børn, eller dyr i nærheden.
- Hold alle køleluftindgange fri for affaldsstykker.
- Brug river og koster til at løsne rester før blæsning.
- Ryd arbejdsområdet inden hver ibrugtagning. Fjern alle genstande som fx sten, knust glas, søm, ledning eller snor, som kan blive blæst langt væk af den kraftige luftstrøm.

- Længere tids brug af et værktøj kan forårsage - eller forværre - personskader. Når man bruger et værktøj i længere perioder ad gangen, skal man huske at holde hyppige pauser.

BRUG OG PLEJE AF BATTERIVÆRKTØJ

- Opladning må kun finde sted med den af producenten foreskrevne oplader. En oplader, der er beregnet til én type batteri, kan udgøre en brandrisiko, hvis den bruges til en anden batteritype.
- Brug kun elværktøjer sammen med specifikt godkendte batterier. Brug af andre batterityper kan medføre fare for personskade og brand.
- Når batteriet ikke bruges, må det ikke opbevares sammen med metalgenstande som fx papirclips, mønter, nøgler, søm, skruer eller andre metalgenstande, som kan skabe forbindelse mellem batteriets poler. Hvis batteriets poler kortsluttes, kan det forårsage forbrændinger eller ildebrand.
- Hvis batteriet misbruges, kan der sprøjte væske ud af det; undgå kontakt med batterivæsken. Ved kontakt med batterivæsken skylles der med vand. Hvis der kommer væske i øjnene, kontaktes læge straks. Udsprøjtet batterivæske kan forårsage irritation eller forbrændinger.
- Brug ikke et batteri eller værktøj, der er beskadiget eller modificeret. Beskadigede eller modificerede batterier kan være ustabile, hvilket kan medføre brand, eksplosion eller personskade.
- Udsæt ikke et batteri eller værktøj for brand eller høje temperaturer. Hvis batterier eller værktøj udsættes for temperaturer over 130 °C, kan det medføre eksplosion.
- Følg vejledningen for opladning, og oplad ikke batteriet eller værktøjet uden for det temperaturområde, der er angivet i vejledningen. Forkert opladning eller opladning ved temperaturer uden for det angivne område kan beskadige batteriet og øge risikoen for brand.

VEKSELSTRØM

- Maskinen må kun betjenes på rimelige tidspunkter -- dvs. ikke tidligt om morgenen

eller sent om aftenen, hvor man risikerer at genere andre.

- Undgå at bruge produktet i atmosfærer med eksplosionsfare.
- Undlad at bruge produktet i dårligt vejr, især hvis der er fare for lynnedslag.
- Tilskuere, børn og kæledyr skal have en sikkerhedsafstand på mindst 15 m til arbejdsområdet. Stop produktet, hvis uvedkommende kommer ind i området.
- Brug ikke produktet i dårlig belysning. Operatøren skal have tydeligt overblik over arbejdsområdet, så han/hun kan identificere evt. faremomenter.
- Brug af lignende værktøjer i nærheden øger både risikoen for høreskader og for, at uvedkommende personer kommer ind i dit arbejdsområde.
- Sørg altid for at have godt fodfæste på skråninger. Gå, løb aldrig.
- Hold et godt fodfæste og balance. Overstræk ikke. Overstrækning kan føre til tab af balancen.
- Brug aldrig produktet med defekte skærme, eller skjolde brug ej heller produktet uden påmonteret sikkerhedsudstyr.
- Sluk altid for produktet, og fjern batteripakken for at reducere risikoen for personskader ved kontakt med bevægelige dele. Kontrollér, at alle bevægelige dele er standset fuldstændigt:
 - før du går fra produktet
 - før rydning af blokeringer
 - inden kontrol, rengøring eller arbejde på produktet
 - før undersøgelse af produktet efter at have ramt et fremmedlegeme
 - hvis produktet begynder at vibrere unormalt (kontrolleres omgående)
- Sluk med det samme, og fjern batteripakken i tilfælde af en ulykke eller et nedbrud. Betjen ikke produktet igen, før det er blevet kontrolleret fuldstændigt af et godkendt servicecenter.
- Undgå at ændre ved maskinen på nogen som helst måde eller at bruge dele og tilbehør, som ikke anbefales af producenten.

- Hvis produktet tabes, udsættes for stød eller begynder at vibrere unormalt, skal man omgående stoppe det og inspicere det for skader eller lokalisere årsagen til vibrationen. Enhver beskadiget del skal repareres ordentligt eller udskiftes på et autoriseret servicecenter.

⚠ **ADVARSEL!** Produktet kan leveres med et seletøj. Selen skal indjusteres omhyggeligt, så den bærer produktets vægt komfortabelt.

Lokalisér hurtigudløsningsmekanismen, og øv dig i at bruge denne, inden du tager maskinen i brug. Korrekt brug af denne funktion kan forhindre alvorlige personskader i en nødsituation. Bær aldrig ekstra tøj over selen, og undgå på anden måde at begrænse adgangen til hurtigaktiveringsmekanismen.

SIKKERHEDSADVARSLER FOR BLÆSER

- Under støvede forhold skal du bruge en ansigtsmaske for at nedsætte risikoen for personskade forbundet med indhalering af støv.
- Overfladerne fugtes en smule i støvede omgivelser.
- Maskinen må ikke betjenes i nærheden af åbne vinduer.
- Brug den fulde blæserdyseforlængelse, så luftstrømmen kan virke tæt ved jorden og arbejde effektivt.
- Ret ikke blæserdysen mod personer eller kæledyr.
- Der må aldrig anbringes genstande i blæseslangerne.
- Placér ikke produktet oven på eller i nærheden af løst haveaffald. Affald kan blive suget ind i indsugningsåbningen og evt. medføre skader på produktet.

YDERLIGERE SIKKERHEDSADVARSLER OM BATTERI

For at nedsætte risikoen for brand, personskade og produktbeskadigelse på grund af kortslutning må produktet, batteripakken eller opladeren aldrig nedsænkes i en væske, ligesom væsker ikke må flyde ind i dem. Sørg ligeledes for, at der ikke trænger væske ind i enhederne og batterierne. Korroderende eller ledende

væsker, f.eks. saltvand, bestemte kemikalier, blegestoffer eller produkter, som indeholder blegemidler, kan forårsage kortslutning.

TRANSPORT OG OPBEVARING

- Sluk for produktet, og fjern batteripakken, og lad det afkøle inden det opbevares eller transporteres.
- Afrens alle fremmedlegemer fra produktet. Opbevar den på et køligt, tørt og godt ventileret sted utilgængeligt for børn. Sørg for, at produktet ikke kommer i nærheden af korrosive stoffer såsom havekemikalier og strøsalt. Opbevar ikke produktet udendørs.
- Til transport skal man sikre produktet, så den ikke kan bevæge sig eller vælte; dette for at forebygge personskader eller skader på produktet.

TRANSPORT AF LITHIUM-BATTERIER

Batterier skal transporteres i henhold til lokale og nationale forskrifter og love.

Når batterier skal transporteres af tredjepart, skal alle specielle krav til emballering og mærkning overholdes. Man skal sikre sig, at ingen batterier under transporten kan komme i kontakt med andre batterier eller ledende materialer ved at beskytte blottede konnektorer med isolerende, ikke-ledende hætter eller tape. Undlad at transportere batterier med revner eller utætheder. Rådfør dig desuden med speditøren.

VEDLIGEHOLDELSE

- Brug kun originale reservedele, ekstraudstyr og tilbehør fra producenten. I modsat fald er der fare for personskader, dårlig maskinydelse og annullering af garantien.
- Vedligeholdelse kræver stor omhyggelighed og viden og bør kun udføres af en kvalificeret tekniker. Lad kun et autoriseret serviceværksted servicere produktet.
- Tjek ofte alle møtrikker, bolte og skruer om de sidder godt fast, og sørg for at produktet fungerer ordentligt. Enhver del, som bliver beskadiget, skal repareres korrekt eller udskiftes hos et autoriseret servicecenter.

- Indlevér produktet hos et autoriseret servicecenter for at få udskiftet beskadigede eller ulæselige mærkater.
- Du kan lave justeringer og reparationer beskrevet i denne brugervejledning. For andre reparationer eller råd skal man søge assistance på et autoriseret servicecenter.
- Produktet skal rengøres med en blød klud efter hver brug.

AFHJÆLPNING AF BLOKERING

- For at reducere risikoen for tilskadekomst i forbindelse med kontakt med bevægelige dele, skal du altid slukke for produktet, fjerne batteripakken og sikre, at alle bevægelige dele er stoppet fuldstændigt.
- Aftag blæseslanger ved kontrol af tilstopning. Rengør rørene efter behov.
- Geninstaller blæserør, før produktet startes.

KEND PRODUKTET

Se side 111.

1. Tænd/Sluk-udløser
2. Håndtag
3. Batteriets forbindelsessted
4. Låsemekanisme
5. Blæseslange
6. Brugsanvisning
7. Batteri
8. Oplader

SYMBOLER



Sikkerheds varsel



Læs og forstå alle anvisninger inden betjening af produktet. Overhold alle advarsler og sikkerhedsanvisninger.



Bær øjen- og høreværn.



Må ikke udsættes for regn eller bruges på fugtige steder.



Roterende blæsere. Hold hænder og fødder på afstand af åbninger, mens produktet kører.



Hold alle tilstedeværende, især børn og kæledyr, i sikker afstand fra betjeningsområdet.



Garanteret støjniveau

Bortskaf ikke brugte batterier, elektriske dele og elektronisk udstyr som usorteret kommunalt affald. Brugte batterier, kasserede elektriske dele og elektronisk udstyr skal indsamles separat. Brugte batterier, affaldsakkumulatorer og lyskilder skal fjernes fra udstyret. Kontakt din lokale myndighed eller forhandler for rådgivning om genbrug og indsamlingssted. Ifølge lokale bestemmelser er detailhandlere måske forpligtede til gratis at tage kasserede batterier, elektriske dele og elektronisk udstyr retur til bortskaffelse. Dit bidrag til genbrug og genanvendelse af brugte batterier, kasserede elektriske dele og elektronisk udstyr bidrager til at reducere efterspørgslen efter råmaterialer. Kasserede batterier, navnlig indeholdende lithium, og kasserede elektriske dele og elektronisk udstyr indeholder værdifulde og genanvendelige materialer, som kan have en negativ indvirkning på miljøet og menneskers sundhed, hvis det ikke bortskaffes på en miljøvenlig måde. Slet persondata fra eventuelt kasseret udstyr.



SV ÖVERSÄTTNING AV DE URSPRUNGLIGA INSTRUKTIONERNA

Säkerhet, prestanda och pålitlighet har fått högsta prioritet vid utformningen av din sladdlösa blåsmaskin.

ANVÄNDNINGSSOMRÅDE

Den sladdlösa blåsmaskinen är enbart avsedd för användning utomhus under torra förhållanden med god belysning.

Produkten är inte avsedd för användning av barn eller personer med fysiska, mentala eller emotionella funktionshinder.

Produkten är avsedd för att blåsa lätt skräp som gräs, löv och annat trädgårdsskräp.

Får ej användas för annat ändamål.

ALLMÄNNA SÄKERHETSFORESKRIFTER

⚠ VARNING! Läs alla säkerhetsvarningar och alla instruktioner. Om du inte följer varningarna och anvisningarna kan du orsaka elektrisk stöt, brand och allvarlig skada. Spara dessa varningar och instruktioner för senare behov.

⚠ VARNING! Låt aldrig barn eller personer som inte känner till dessa instruktioner använda maskinen. Lokala regler kan åldersbegränsa användningen av gräsklipparen.

UTBILDNING

- Läs igenom instruktionerna noga. Bekanta dig med reglagen och rätt användning av produkten.
- Kom ihåg att användaren är ansvarig för olyckor och faror som uppstår för andra människor och deras egendom.
- Använd inte produkten när du är trött, sjuk eller är påverkad av droger, alkohol eller medicin.

FÖRBEREDELSE

- En del regioner har regelverk som begränsar produktens användning till vissa funktioner. Ta kontakt med lokala myndigheter för information.
- Använd alltid hörselskydd vid användning av produkten. Produkten är högljud och

kan orsaka permanent hörselskada om inte försiktighetsåtgärder följs strikt för att begränsa din utsatthet och minska buller.

- Använd alltid heltäckande skyddsglasögon vid användning av produkten. Bär en heltäckande ansiktsmask eller helt slutna skyddsglasögon. Vanliga glasögon eller solglasögon skyddar inte tillräckligt. Föremål kan när som helst kastas i väg i hög hastighet av den kraftfulla luftströmmen och studsas på hårda ytor i riktning mot användaren.
- Vid användning av produkten ska du alltid använda ordentliga skodon och långa byxor. Använd inte maskinen barfota eller med öppna sandaler. Undvik att bära kläder som sitter löst eller som har hängande bälten och slips.
- Bär inga löst sittande kläder eller smycken som kan fastna i rörliga delar eller sugas in i luftintag. Sätt upp hår som är längre än till axlarna så att det inte trasslas in i rörliga delar.
- Kontrollera före användning så att reglage och säkerhetsanordningar fungerar som de ska. Använd inte produkten om "Off"-läget inte stoppar motorn.
- Använd produkten i rekommenderat läge och enbart på fast, jämnt underlag.
- Kör inte maskinen på asfalterad eller grusad mark där utskjutet material skulle kunna orsaka skada.
- Kontrollera höljet före varje användning. Se till att skydd och handtag sitter på plats och är ordentligt säkrade. Byt ut slitna eller skadade delar i hela satsen för att bibehålla balansen. Byt ut skadade eller oläsliga skyltar.
- Använd aldrig maskinen i närheten av människor, speciellt barn, eller husdjur.
- Håll alla kylflötsintag fria från skräp.
- Använd krattor och kvastar för att lossa skräp innan du använder blåsmaskinen.
- Rensa upp på arbetsområdet innan arbetet påbörjas. Ta bort alla föremål som stenar,

glasbitar, spikar, vajerbitar eller tråd som kan fara iväg långt med luften.

- Risk för person- eller slitageskador vid användning av verktyget under lång tid. Om verktyget används under längre perioder krävs regelbundna pauser.

ANVÄNDNING OCH UNDERHÅLL AV BATTERIET

- Använd endast den batteriladdare som tillverkaren rekommenderar. En batteriladdare som passar en typ av batteripack kan vara en brandfara om den används med en annan typ av batteripack.
- Använd eldrivna verktyg med batteripaket som är speciellt utformade för användning tillsammans med produkterna. Om du använder andra batteripaket ökar du risken för skador och brand.
- När batteripaketet inte används ska det hållas bort från metallföremål som gem, mynt, nycklar, spikar, skruvar och andra små metallföremål som kan kortsluta batteriets kontakter. Vid kortslutning av batteriets kontakter finns det risk för brännskador eller brand.
- Vätska kan läcka ut från batteripaketet vid felaktig användning; undvik kontakt med vätskan. Spola med vatten om du kommer i kontakt med den. Uppsök omedelbart läkarhjälp om du får vätska i ögonen. Den kan orsaka irritation och brännskador.
- Använd inte en batterienhet eller ett verktyg som är skadat eller har modifierats. Skadade eller modifierade batterier kan bete sig oförutsägbart, vilket kan leda till brand, explosion eller risk för olycksfall.
- Utsätt inte en batterienhet eller ett verktyg för eld eller mycket höga temperaturer. Exponering för eld eller mycket höga temperaturer över 130 °C kan orsaka explosion.
- Följ alla anvisningar för laddning och ladda inte batterienheten eller verktyget vid en temperatur utanför det intervall som anges i anvisningarna. Att ladda på felaktigt sätt

eller vid temperaturer utanför det angivna intervallet kan skada batteriet och ökar brandrisken.

ANVÄNDNING

- Använd enbart maskinen under lämpliga tider – inte tidigt på morgonen eller sent på kvällen när det kan störa omgivningen.
- Använd aldrig produkten i lättantändlig atmosfär.
- Använd inte produkten i dåligt väder, speciellt inte om det finns risk för åskoväder.
- Håll åskådare, barn och husdjur på minst 15 meters avstånd. Stoppa produkten om någon kommer i närheten.
- Använd inte produkten vid dålig belysning. Operatören måste ha god överblick över arbetsområdet för att upptäcka potentiella faror.
- Användning av liknande maskiner i närheten ökar risken för både hörselskador och för andra personer i närheten av arbetsområdet.
- Se till att du har ordentligt fotfäste i lutningar. Gå. Spring aldrig.
- Bibehåll ett bra fotfäste och bra balans. Sträck dig inte. Att sträcka sig kan resultera i balansförlust.
- Använd aldrig produkten med defekta skydd eller utan att säkerhetsanordningarna är på plats.
- För att minska risken för olycksfall i samband med roterande delar, stäng alltid av produkten och avlägsna batterienheten. Se till att samtliga rörliga delar har stannat helt:
 - innan produkten lämnas utan uppsikt
 - före rensning av blockeringar
 - före kontroll av, rengöring av eller arbete med produkten
 - före inspektion av produkten efter kollision med ett främmande föremål
 - när maskinen börjar vibrera onormalt (kontrollera omedelbart)
- Stäng omedelbart av produkten och plocka ur batteripaketet vid olycksfall eller fel.

Använd inte produkten igen innan den har kontrollerats i sin helhet av en auktoriserad serviceverkstad.

- Modifiera inte maskinen på något sätt och använd inte delar eller tillbehör som inte rekommenderats av tillverkaren.
- Om produkten tappas, utsätts för hårda slag eller börjar vibrera onormalt mycket ska produkten omedelbart stoppas och kontrolleras för eventuella skador eller orsak till vibrationerna. Eventuella skador ska repareras ordentligt eller bytas ut av ett auktoriserat servicecenter.

⚠ **VARNING!** Produkten kan levereras med sele. Justera försiktigt selen så att den hjälper till att bära produktens tyngd.

Ta reda på snabbkopplingsmekanismen och testa den innan du börjar använda maskinen. Korrekt användning av den kan förhindra allvarliga skador i nödfall. Bär aldrig ytterligare kläder över selen eller på annat sätt begränsa åtkomsten av snabbkopplingsmekanismen.

SÄKERHETSVARNINGAR FÖR LÖVBLÅS

- Använd en ansiktsmask om förhållandena är dammiga. Det minskar risken för skador på grund av damminandning.
- Om det är dammigt ska du fukta ytorna innan arbetet.
- Använd inte apparaten i närheten av öppna fönster.
- Använd hela blåsmunstycket så att luftströmmen kommer nära marken och är effektiv.
- Rikta inte utblåsmunstycket mot andra människor eller djur.
- Placera aldrig föremål i blåsrören.
- Placera inte produkten ovanpå eller nära löst skräp. Skräp kan sugas in i luftintaget och eventuellt skada enheten.

YTTERLIGARE SÄKERHETSVARNINGAR FÖR BATTERIER

För att minska risken för brand, personskador och produktskador på grund av kortslutning, sänk aldrig ner produkten, batteripaketet eller

laddaren i vätska och låt inte vätska tränga in i dem. Korroderande eller ledande vätskor, som saltvatten, vissa kemikalier, blekningsmedel eller produkter som innehåller blekmedel, kan orsaka en kortslutning.

TRANSPORT OCH FÖRVARING

- Stäng av produkten, ta ur batteripaketet och låt produkten svalna innan den förvaras eller transporteras.
- Ta bort allt främmande material från produkten. Förvara den svalt och välventilerat på en plats där barn inte kan komma åt den. Håll produkten borta från frätande ämnen, såsom trädgårdskemikalier och vägsalt. Förvara inte produkten utomhus.
- Vid transport ska produkten säkras mot rörelser eller fallande för att förhindra personskador eller att produkten skadas.

TRANSPORTERA LITIUMBATTERIER

Transportera batterier enligt lokala och nationella riktlinjer och föreskrifter.

Följ alla särskilda krav på förpackning och etikettering vid transport av batterier som utförs av tredje part. Se till att inga batterier kan komma i kontakt med andra batterier eller ledande material under transporten genom att skydda exponerade kontaktytor med isolerande, icke ledande överdrag eller tejp. Transportera aldrig batterier som har spruckit eller som läcker. Kontrollera med det transporterande företaget för vidare rådgivning.

UNDERHÅLL

- Använd enbart reservdelar och tillbehör från tillverkaren. Om inte kan det eventuellt orsaka skador, sämre resultat och kan upphäva garantin.
- Att serva produkten kräver extrem försiktighet och kunskap och bör endast utföras av en kvalificerad servicetekniker. Produkten får endast repareras på ett auktoriserat servicecenter.
- För att vara säker på att produkten är säker att använda, kontrollera alla muttrar, bultar och skruvar regelbundet för att säkerställa

att de är åtdragna ordentligt. Skadade delar skall repareras ordentligt eller bytas ut av en auktoriserad servicefirma.

- Lämna produkten till auktoriserat servicecenter för utbyte av skadade eller oläsbara etiketter.
- Du kan göra de justeringar och reparationer som beskrivs i den här manualen. För andra reparationer eller för råd ska du alltid vända till auktoriserat servicecenter.
- Efter rengöring ska maskinen alltid rengöras med en mjuk torr trasa.

RENSA BLOCKERINGAR

- För att minska risken för olycksfall genom kontakt med delar i rörelse, stäng alltid av produkten, ta ur batteriet och försäkra dig om att alla rörliga delar har stannat fullständigt.
- Ta bort blåsrören för att kontrollera om det föreligger en blockering. Rensa rören vid behov.
- Sätt tillbaka blåsrörren innan du startar produkten.

LÄR KÄNNA PRODUKTEN

Se sida 111.

1. Strömbrytare
2. Handtag
3. Anslutning till batteriet
4. Regel
5. Blåsrör
6. Användarmanual
7. Batteri
8. Batteriladdare

SYMBOLER



Säkerhetsvarning



Läs och se till att du förstår alla anvisningar innan du använder produkten. Följ alla varningar och säkerhetsanvisningar.



Bär skydd för ögon och öron.



Utsätt inte för regn eller våta omgivningar.



Roterande fläktar. Se till att hålla händer och fötter borta från öppningarna när produkten är igång.



Håll alla åskådare, särskilt barn och husdjur på säkert avstånd från arbetsområdet.



Garanterad ljudeffektsnivå

Kassera inte uttjänta batterier, elavfall och elektronisk utrustning som restavfall. Uttjänta batterier, elavfall och elektronisk utrustning måste samlas in separat. Uttjänta batterier, uttjänta ackumulatörer och ljuskällor måste avlägsnas från utrustningen. Fråga din lokala myndighet eller återförsäljare om återvinningsråd och uppsamlingsplats. Beroende på lokala bestämmelser kan återförsäljare vara skyldiga att kostnadsfritt ta tillbaka uttjänta batterier samt elektriskt och elektroniskt avfall. Ditt bidrag till återanvändning och återvinning av uttjänta batterier samt elektriskt och elektroniskt avfall bidrar till att minska behovet av råmaterial. Uttjänta batterier, särskilt litiumbatterier, samt elavfall och elektronisk utrustning innehåller värdefulla och återvinningsbara material som kan påverka miljön och människors hälsa negativt, om de inte kasseras på ett miljömässigt sätt. Radera eventuella personuppgifter från avfallsutrustningen.



Turvallisuus, tehokkuus ja käyttövarmuus ovat langattoman lehtipuhaltimemme tärkeimpiä ominaisuuksia.

KÄYTTÖTARKOITUS

Langaton lehtipuhallin on tarkoitettu käytettäväksi ainoastaan ulkona, kuivissa ja hyvin valaistuissa olosuhteissa.

Tuotetta ei ole tarkoitettu lasten eikä sellaisten ihmisten käytettäväksi, joiden ruumiin, aistien tai mielen suorituskyky on heikentynyt.

Tuotteella saa puhaltaa kevyitä roskia, kuten lehtiä, ruohoa ja muuta puutarhajätettä.

Älä käytä muihin tarkoituksiin.

YLEISET TURVALLISUUSVAROITUKSET

VAROITUS! Lue kaikki turvallisuusvaroitukset ja ohjeet.

Varoitusten ja ohjeiden laiminlyönnistä voi seurata sähköisku, tulipalo ja/tai vakava loukkaantuminen. Säilytä nämä varoitukset ja ohjeet myöhempää tarvetta varten.

VAROITUS! Älä anna lasten tai käyttöohjeita tuntemattomien ihmisten käyttää laitetta. Paikalliset säädökset saattavat asettaa rajastuksia käyttäjän iälle.

KOULUTUS

- Lue ohjeet huolella. Tutustu ohjaimiin ja tuotteen asianmukaiseen käyttöön.
- Muista, että ruohonleikkurin käyttäjä on vastuussa vahingoista ja vaaroista, jotka hän aiheuttaa muille ihmisille ja heidän omaisuuksilleen.
- Älä käytä tuotetta väsyneenä, sairaana tai huumeiden, alkoholin tai lääkkeiden vaikutuksen alaisena.

VALMISTELUT

- Joillain alueilla vallitsee säädöksiä, jotka rajoittavat tämän tuotteen käyttöä joissain toiminnoissa. Pyydä paikallisilta viranomaisilta neuvoa.
- Käytä aina kuulonsuojaimia tuotetta käyttäessäsi. Laiteonmeluisa, jaaltistumisen

rajoittamiseksi ja melun vähentämiseksi annettujen varotoimien laiminlyönti voi johtaa pysyviin kuulovaurioihin.

- Käytä aina täysisiä suojalaseja tuotetta käyttäessäsi. Käytä kokonaamaria tai kauttaaltaan suojaavia suojalaseja. Tavalliset silmälasit tai aurinkolasit eivät tarjoa riittävää suojaa. Tehokas ilmavirta voi singota kappaleita milloin vain, ja ne voivat kimmota kovista pinoista käyttäjää kohden.
- Käytä aina tuotetta käyttäessäsi asianmukaisia jalkineita ja pitkiä housuja. Älä käytä laitetta paljasjaloin tai avosandaaleissa. Älä käytä löysiä vaatteita tai vaatteita, joista riippuu nuoria tai siteitä.
- Älä käytä löysiä vaatteita tai koruja, jotka saattaisivat imeytyä ilmanottoon. Sido pitkät hiukset hartioiden yläpuolelle, jotta ne eivät pääse tarttumaan liikkuviin osiin.
- Varmista aina ennen käyttöä, että kaikki hallinta- ja turvallisuuslaitteet toimivat asianmukaisesti. Älä käytä tuotetta, jos Off-kytkin ei sammuta moottoria.
- Käytä tuotetta suositellussa asennossa ja vain vakaalla tasapinnalla.
- Älä käytä laitetta päällystetyllä tai sorapinnalla, jossa singonneet materiaalit voivat aiheuttaa loukkaantumisen.
- Tarkista kotelo vaurioiden varalta ennen jokaista käyttökertaa. Varmista, että suojat ja kahvat ovat paikoillaan ja kiinnitetty asianmukaisesti. Vaihda kuluneet tai vioittuneet osat sarjoina säilyttääksesi tasapainon. Vaihda vioittuneet ja lukukelvottomat kyltit.
- Älä koskaan käytä laitetta, jos lähistöllä on ihmisiä, erityisesti lapsia, tai lemmikkejä.
- Pidä kaikki jäähdytysilman ottoaukot puhtaina.
- Irrota puhallettavaksi tarkoitettut roskat haravalla tai luudalla ennen puhaltamisen aloittamista.
- Siivoa työalue ennen jokaista käyttöä. Poista kaikki sellaiset esineet kuten kivet, lasinpalat, naulat, johdot ja langat, jotka

voimakas puhallus voi singota pitkiä matkoja.

- Laitteen pitkittynyt käyttö voi aiheuttaa tai vaikeuttaa vammoja. Kun käytät mitä tahansa laitetta pitkiä aikoja, muista pitää säännöllisiä taukoja.

AKKUKÄYTTÖISEN TYÖKALUN KÄYTTÖ JA HOITO

- Käytä lataukseen ainoastaan valmistajan suosittelemaa laturia. Yhden tyyppiselle akulle sopivan laturin käyttö toisenlaisen akun kanssa voi olla vaarallista.
- Käytä sähkötyökäluä ainoastaan sitä varten suunniteltujen akkujen kanssa. Muiden akkujen käyttö voi johtaa loukkaantumiseen ja tulipaloon.
- Kun akkua ei käytetä, pidä se erillään metalliesineistä, kuten paperiliittimistä, kolikoista, avaimista, nauloista, ruuveista ja muista pienistä metalliesineistä, jotka voivat yhdistää akun navat. Akun napojen oikosulkeminen voi aiheuttaa palovammoja ja tulipalon.
- Jos akkua käsitellään väärin, siitä voi vuotaa nestettä; älä kosketa sitä. Jos kosketat sitä vahingossa, huuhtelee se vedellä. Jos nestettä pääsee silmiin, hakeudu välittömästi lääkärin hoitoon. Akusta vuotanut neste voi ärsyttää ihoa ja aiheuttaa palovammoja.
- Vaurioitunutta tai muunneltua akkua tai työkalua ei saa käyttää. Vaurioituneet tai muunnellut akut voivat käyttäytyä odottamattomasti, ja ne voivat johtaa tulipaloon, räjähdykseen, vaaraan tai tapaturmaan.
- Älä altista akkua tai työkalua tulelle tai liian korkealle lämpötilalle. Tulelle tai yli 130 °C:n lämpötilalle altistuminen voi johtaa räjähdykseen.
- Noudata kaikkia latausohjeita äläkä lataa akkua tai työkalua muissa kuin ohjeissa määritellyissä lämpötilaolosuhteissa. Virheellinen lataus tai määritellyistä poikkeavat lämpötilat saattavat johtaa akun vaurioitumiseen ja lisätä tulipalon vaaraa.

KÄYTTÖ

- Käytä laitetta ainoastaan säädyllyiseen aikaan – ei aikaisin aamulla tai myöhään yöllä, jolloin se voi häiritä muita.
- Älä koskaan käytä tuotetta räjähdysalttiissa ympäristössä.
- Älä käytä tuotetta huonolla säällä, erityisesti kun on salamien vaara.
- Pidä sivulliset, lapset ja lemmikit 15 m etäisyydellä työalueesta. Sammuta tuote, jos alueelle tulee joku.
- Älä käytä laitetta huonosti valaistuissa olosuhteissa. Käyttäjällä on oltava esteetön näkyvyys työalueelle, jotta hän näkee mahdolliset vaaratekijät.
- Samankaltaisten laitteiden käyttö lähettyvillä kasvattaa kuulovaurion riskiä sekä vaaraa, että joku muu tulee työalueellesi.
- Seiso rinteissä aina tukevasti. Kävele, älä koskaan juokse.
- Pidä vakaa tasapaino. Älä kurkota liian pitkälle. Liian pitkälle kurkotta minen saattaa johtaa tasapainon menettämiseen.
- Älä koskaan käytä laitetta, jos suoijat tai suojukset ovat epäkunnossa tai ilman suojalaitteita.
- Liikkuvien osien kanssa kosketuksiin joutumiseen liittyvän tapaturmavaaran välttämiseksi laite on aina sammutettava ja akkupakkaus poistettava. Varmista, että kaikki liikkuvat osat ovat pysähtyneet täysin:
 - ennen laitteen luota poistumista
 - ennen tukosten selvittämistä
 - ennen tuotteen tarkastusta, puhdistusta ja huoltoa
 - ennen laitteen tarkastusta vierasesineen ilmaantumisen jälkeen
 - jos tuote alkaa tärinä epänormaalisti (tarkista välittömästi)
- Katkaise laitteesta virta välittömästi onnettomuuden tai toimintahäiriön sattuessa. Älä käytä laitetta ennen kuin se on perusteellisesti tutkittu valtuutetussa huoltoliikkeessä.

- Älä muunna laitetta millään tavoin tai käytä osia tai lisävarusteita, jotka eivät ole valmistajan suosittelamia.
- Jos tuote putoaa, saa kovan iskun tai alkaa täristä normaalia enemmän, sammuta se heti ja tarkista se vaurioiden varalta tai paikanna tärinän syy. Valtuutetun huoltopisteen on korjattava tai vaihdettava vioittuneet osat asianmukaisesti.

⚠ **VAROITUS!** Laitteen mukana voidaan toimittaa valjaat. Säädä valjaat huolella siten, että ne auttavat mukavasti tukemaan tuotteen painon.

Paikanna pikavapautusmekanismi ja harjoittele sen käyttöä ennen kuin alat käyttää laitetta. Sen asianmukainen käyttö voi hätätilanteessa estää vakavan loukkaantumisen. Älä koskaan pidä valjaiden päällä vaatteita äläkä rajoita muilla tavoin pääsyä pikavapautusmekanismiin.

PUHALTIMEN TURVALLISUUSVAROITUKSET

- Käytä pölyisissä paikoissa hengityssuodatinta, jotta pölyn hengittämisestä aiheutuvat riskit pienenisivät.
- Jos olosuhteet ovat pölyiset, kostuta pintoja hieman.
- Älä käytä laitetta avoimien ikkunoiden lähellä.
- Käytä täyttä puhallinsuuttimen jatkoa, jotta ilmasuihku kohdistuu lähelle maata ja toimii tehokkaasti.
- Älä osoita puhaltimen suutinta ihmisiä tai lemmikkejä kohden.
- Älä koskaan aseta kappaleita puhaltimen putkien sisälle.
- Älä sijoita laitetta irtonaisten roskien päälle tai viereen. Ottoaukkoon saattaa imeytyä roskaa, mikä aiheuttaa laitteelle vaurioita.

MUITA AKUN TURVALLISUUSVAROITUKSIA

Jotta oikosulusta aiheutuva tulipalon, loukkaantumisen ja tuotevaurion riski olisi pienempi, älä koskaan upota akkupakkausta tai laturia nesteeseen tai päästä nestettä niiden sisälle. Syövyttävät tai sähköä johtavat

nesteet, kuten suolavesi, tietyt kemikaalit ja laakaisuaineet tai valkaisuaineita sisältävät tuotteet voivat aiheuttaa lyhytsulun.

KULJETUS JA VARASTOITAESSA

- Sammuta laite, poista akkupakkaus ja anna laitteen jäähtyä ennen sen varastointia tai kuljetusta.
- Puhdista laitteesta kaikki vieraat materiaalit. Varastoi laite viileään, kuivaan ja hyvin tuuletettuun paikkaan, jossa lapset eivät pääse siihen käsiksi. Pidä tuote erillään syövyttävistä aineista, kuten puutarhakemikaaleista ja jäänestosuolasta. Älä säilytä laitetta ulkona.
- Kiinnitä tuote kuljetettaessa siten, että se ei pääse liikkumaan tai kaatumaan, jotta välttyä loukkaantumisilta ja vaurioilta.

LITIUAKKUJEN KULJETTAMINEN

Kuljeta akkuja paikallisten ja kansallisten ehtojen ja säädösten mukaisesti.

Noudata kaikkia pakkaamista ja nimeämistä koskevia erikoissäädöksiä, kun kolmas osapuoli kuljettaa akkuja. Varmista, että mikään akku ei kosketa muita akkuja tai johtavaa materiaalia kuljetuksen aikana suojaamalla paljaat navat eristävillä, johtamattomilla korkeilla tai teipillä. Älä kuljeta akkuja, jotka ovat halkeilleet tai vuotavat. Kysy välitysyritykseltä lisäneuvoja.

HUOLTO

- Käytä ainoastaan alkuperäisiä valmistajan tuottamia varaosia, lisälaitteita ja lisävarusteita. Tämän noudattamatta jättäminen voi johtaa loukkaantumiseen ja huonoon tulokseen ja voi mitätöidä takuun.
- Huolto kaipaa suurta huolellisuutta ja hyvää työkalun tuntemusta: Se on annettava pätevän teknikon tehtäväksi. Teetä huollot ainoastaan valtuutetussa huoltoliikkeessä.
- Varmista aina, että ruuvit ja mutterit ovat tiukasti kiinni, jotta tuote olisi aina turvallinen ja käyttövalmis. Valtuutetun huoltopisteen on korjattava tai vaihdettava vioittuneet osat asianmukaisesti.

- Vie tuote valtuutettuun huoltoon vaurioituneiden ja lukukelvottomien kylltien vaihtamiseksi.
- Voit tehdä tässä käyttöoppaassa kuvattuja säätöjä ja korjauksia. Pyydä apua valtuutetusta huollosta muiden korjaus- tai neuvontatarpeiden tapauksessa.
- Puhdista tuote aina käytön jälkeen pehmeällä ja kuivalla liinalla.

TUKOKSEN POISTAMINEN

- Liikkuvien osien kanssa kosketuksiin joutumiseen liittyvän tapaturmariskin pienentämiseksi sammuta aina tuote, irrota akku ja varmista, että kaikki liikkuvat osat ovat kokonaan pysähtyneet.
- Irrota puhallinputket tukosten tarkistamista varten. Puhdista putket tarvittaessa.
- Asenna puhallintorvet ennen puhaltimen käynnistämistä.



Pyörivät puhaltimet. Pidä kädet ja jalat poissa aukoista tuotteen käytössä.



Pidä kaikki sivulliset, erityisesti lapset ja lemmikit, turvallisella etäisyydellä käyttöalueesta.



Taattu äänenteho

TUNNE TUOTTEESI

Katso sivu 111.

1. On/Off-liipaisin
2. Kädensija
3. Akkuliitin
4. Salpa
5. Puhaltimen putki
6. Käyttöopas
7. Akku
8. Laturi



Älä hävitä käytettyjä akkuja sekä sähkö- ja elektroniikkalaiteromua lajittelemattomana yhdyskuntajätteenä. Käytetyt akut sekä sähkö- ja elektroniikkalaiteromu on kerättävä erikseen. Käytetyt paristot ja akut ja hukkavalonlähteet on poistettava laitteista. Kysy paikalliselta viranomaiselta tai jälleenmyyjältä kierrätysneuvoja ja tietoja keräyspisteistä. Paikallisten määräysten mukaan jälleenmyyjillä voi olla velvollisuus ottaa käytetyt akut sekä sähkö- ja elektroniikkalaiteromu takaisin veloitusetta. Panoksesi käytettyjen akkujen sekä sähkö- ja elektroniikkalaiteromun uudelleenkäyttöön ja kierrätykseen auttaa vähentämään raaka-aineiden kysyntää. Käytetyt, erityisesti litiumia sisältävät akut sekä sähkö- ja elektroniikkalaiteromu sisältävät arvokkaita ja kierrätettäviä materiaaleja, jotka voivat vaikuttaa haitallisesti ympäristöön ja ihmisten terveyteen, jos niitä ei hävitetä ympäristöstävällisellä tavalla. Poista mahdolliset henkilötiedot jätelaitteista.

SYMBOLIT



Varoitus



Kaikki ohjeet on luettava ja ymmärrettävä ennen tuotteen käyttöä. Noudata varoituksia ja turvallisuusohjeita.



Käytä näkö- ja kuulosuojausta.



Älä altista konetta sateelle tai kosteudelle.

NO OVERSETTELSE AV DE ORIGINALE INSTRUKSJONENE

Sikkerhet, ytelse og pålitelighet har hatt topp prioritet ved konstruksjonen av denne batteridrevne blåseren.

TILTENKT BRUK

Den batteridrevne blåseren er kun beregnet til bruk utendørs, ved tørre og godt belyste forhold.

Dette produktet er ikke ment å bli brukt av barn eller personer med nedsatte fysiske, mentale eller sensoriske evner.

Produktet er ment for å blåse lett smuss blant annet blader, gress og annet hageavfall.

Den skal ikke brukes til noe annet formål.

GENERELLE SIKKERHETSADVARSLER

⚠ ADVARSEL! Les alles sikkerhetsadvarslene og alle instruksjonene. Å unnlate å følge advarslene og instruksjonene kan føre til elektrisk støt, brann og alvorlig personskade. Ta vare på disse advarslene og instruksjonene for å se i dem senere.

⚠ ADVARSEL! Ikke tillat at barn eller personer som ikke er kjent med brukermanualen bruke produktet. Lokale forskrifter fastlegger brukerens minstealder.

OPPLÆRING

- Les instruksjonsmanualen nøye. Gjør deg kjent med styringen og riktig bruk av produktet.
- Husk at operatøren eller brukeren er ansvarlig for uhell og farer som andre personer og deres eiendom får påført.
- Ikke bruk utstyret når du er sliten, syk eller under påvirkning av alkohol, narkotika eller medisiner som kan påvirke reaksjonsevne og dømmekraft.

KLARGJØRING

- Visse regioner har forskrifter som begrenser bruken av produktet til definerte operasjoner. Spør de lokale myndigheter for råd.

- Bruk alltid full hørselvern når du bruker dette produktet. Produktet lager mye støy og kan forårsake permanent hørselskade hvis forholdsregler om å begrense din eksponering og redusere støyen ikke følges nøye.
- Bruk alltid full øyebeskyttelse når du bruker dette produktet. Bruk en fullstendig ansiktsmaske eller fullstendig lukkede vernebriller. Vanlige briller eller solbriller gir ikke tilstrekkelig beskyttelse. Gjenstander kan når som helst bli kastet ut med stor fart av den sterke luftstrømmen og kan sprette tilbake fra harde overflater mot operatøren.
- Når du bruker produktet, ha alltid på gode sko og lange bukser. Ikke bruk maskinen uten sko eller med åpne sandaler. Unngå å bruke klær som er løstsittende eller som har hengende snorer eller belter.
- Ikke bruk løstsittende klær eller smykker som kan bli trukket inn i luftinntakene. Sørg for at langt hår ikke når lenger ned en til skuldrene for å hindre at det kan fanges opp av roterende deler.
- Kontroller før hver bruk at alle styreenheter og sikkerhetsanordninger fungerer som de skal. Ikke bruk dette produktet hvis "av" knappen ikke stanser motoren.
- Bruk produktet kun i anbefalte posisjoner og bare på flate og faste overflater.
- Ikke bruk maskinen på asfaltert eller gruslagt overflate der utkastet materiale kan føre til skade.
- Sjekk alltid produktets ytre for skader før bruk. Sjekk at beskyttelser og håndtak er på plass og festet riktig. Erstatt slitte eller skadede komponenter i sett for å beholde balansen. Erstatt skadede eller uleselige merker/etiketter.
- Ikke bruk maskinen dersom andre personer - og spesielt barn - eller dyr er i nærheten.
- Hold alle luftinntak rene for avfall.
- Bruk rake og kost til å løsne smuss før blåsing.
- Klargjør arbeidsstedet før hver gangs bruk. Fjern alle gjenstander som steiner, knust

glass, spiker, wire eller hyssing som kan bli slengt i lange avstander med stor fart.

- Hvis man bruker verktøyet for lenge av gangen, kan det føre til eller forverre allerede eksisterende personskade. Når du bruker et verktøy over en lenger tidsperiode, husk å ta regelmessige pauser.

BATTERIPRODUKTER - BRUK OG STELL

- Lad bare med ladere som er spesifisert av produsenten. En lader som passer til en type batteripakke kan skape risiko for brann dersom den brukes til en annen type batteripakke.
- Bruk patteriprodukter kun med spesielt tiltenkte batteripakker. Bruk av andre batteripakker kan føre til risiko for skade og brann.
- Når batteripakken ikke er i bruk, hold den vekke fra metallgjenstander som binders, mynter, nøkler, spiker, skruer og annet som kan forbinde de to terminalene med hverandre. Kortslutning av batteriterminalene kan føre til brenning eller brann.
- Dersom batteriet misbrukes kan det slippe ut væske, unngå hudkontakt med væsken. Hvis du får kontakt med væsken fra batteriet, skyl med rikelige mengder vann. Hvis væsken får kontakt med øynene må det søkes medisinsk hjelp. Væske som kommer ut av batteriet kan føre til irritasjon eller brannår.
- Ikke bruk et batteri eller verktøy som er skadet eller endret. Batterier som er skadd eller endret, kan oppføre seg uforutsigbart, noe som kan føre til brann, eksplosjon og personskade.
- Ikke utsett batteriet eller verktøyet for ild eller høy temperatur. Eksponering for brann eller høy temperatur over 130 °C kan føre til eksplosjon.
- Alle ladeinstruksjoner må følges. Ikke lad batteriet eller verktøyet hvis omgivelsestemperaturen er utenfor området som er angitt i bruksanvisningen. Feil lading eller lading ved temperaturer utenfor det angitte området kan ødelegge batteriet og øke risikoen for brann.

BETJENING

- Bruk maskinen kun til akseptable døgntider - ikke tidlig på morgenen eller sent på natten når folk kan føle seg forstyrret.
- Du må aldri bruke produktet i eksplosive omgivelser.
- Unngå å bruke produktet under dårlige værforhold, spesielt når det er fare for lynnedslag.
- Hold tilskuere, barn og kjæledyr 15 m unna arbeidsområde. Stopp produktet når noen kommer inn på området hvor produktet brukes.
- Ikke bruk produktet ved dårlige lysforhold. Operatøren må ha klar sikt over arbeidsfeltet for å identifisere potensielle farer.
- Bruk av lignende utstyr i nærheten øker faren for både hørselskade og muligheten for at andre kommer inn i din arbeidssone.
- Sørg for å ha godt fotfeste i skråninger. Gå, du må aldri løpe mens du arbeider med maskinen.
- Ha god fotfeste og ballanse til enhver tid. Ikke len deg for langt. Hvis du lener deg for langt, kan du miste balansen.
- Ikke bruk utstyret uten verneinnretninger eller skjermer, eller uten at sikkerhetsinnretninger er på plass.
- Slå alltid av produktet og ta ut batteriet for å redusere risikoen for personskade som skyldes kontakt med roterende deler. Påse at alle bevegelige deler har stoppet helt:
 - før produktet etterlates uten oppsyn
 - før fjerning av blokkeringer
 - før kontroll, rensing og arbeider på produktet
 - før inspeksjon av produktet etter treff med et fremmedlegeme
 - hvis produktet starter å vibrere unormalt (sjekk omgående)
- Slå umiddelbart av og fjern batteripakken i tilfelle en ulykke eller svikt. Ikke bruk redskapen igjen før den er nøye kontrollert av et autorisert servicesenter.

- Du må ikke endre maskinen på noe måte eller bruke deler og tilbehør som ikke er anbefalt brukt av produsenten.
- Dersom produktet faller i bakken, får et sterkt slag eller starter å vibrere unormalt, stans produktet omgående og sjekk for skader eller finn ut hva som er årsaken for vibrasjonene. Enhver skade må reparere helt eller delen skiftes av et autorisert serviceverksted.

⚠ **ADVARSEL!** Produktet kan forsynes med en sele. Juster selene forsiktig slik at de hjelper med å bære produktets vekt.

Finn ut hvordan du skal bruke hurtigutløsermekanismen og øv deg på å bruke den før du tar i bruk maskinen. Riktig bruk kan hindre alvorlige personskader dersom en nødsituasjon skulle oppstå. Ha aldri på deg ekstra klær over bæreselen, og ikke begrens tilgang til hurtigutkoblingsmekanismen på annen måte.

SIKKERHETSADVARSLER FOR LØVBLASEREN

- Bruk ansiktsmaske med filter ved arbeid i støvete miljøer for å redusere risikoen for skader som følge av innånding av støv.
- Fukt overflatene lett dersom det er støvete omgivelser.
- Ikke bruk maskinen i nærheten av åpne vinduer.
- Bruk hele blåserdyseforlengeren slik at luftstrømmen kan arbeide nær bakken og dermed virke på en effektiv måte.
- Ikke rett blåsemunnstykket mot mennesker eller dyr.
- Sett aldri gjenstander inni blåserørene.
- Plasser ikke produktet på toppen av, eller i nærheten av, løst avfall. Smuss kan bli sugd inn i inntaksventilene, noe som kan føre til skader på produktet.

EKSTRA SIKKERHETSINSTRUKSER FOR BATTERI

For å redusere risikoen for brann, personskade og produktskade på grunn av en kortslutning

skal produktet, batteripakken eller laderen aldri senkes ned i væske, og væske skal aldri flyte inn på innsiden av disse. Korroderende og ledende væsker som saltvann, visse kjemikalier og blekemidler eller produkt som inneholder blekemidler kan forårsake en kortslutning.

TRANSPORT OG LAGRING

- Slå av produktet, ta ut batteripakken og la det kjøles av før lagring eller transport.
- Fjern alle fremmedelementer fra produktet. Lagres på et kjølig, tørt og godt ventilert sted som er utilgjengelig for barn. Hold avstand til korroderende midler som havekjemikalier og avisings salt. Produktet skal ikke oppbevares utendørs.
- Ved transport må produktet sikres mot å komme i bevegelse eller falle for å unngå skade på personer eller produktet.

TRANSPORTERE LITUM-BATTERIER

Transporter batterier i henhold til lokale og nasjonale lover og forskrifter.

Følg alle spesialkrav med hensyn til emballering og merking når batterier transporteres av en tredjepart. Påse at ingen batterier kan komme i kontakt med andre batterier eller ledende materialer under transporten ved å beskytte åpne kontakter med isolasjon, ikkeledende lokk eller tape. Ikke transporter batterier som er sprukne eller som lekker. Kontakt speditøren for å få ytterligere råd.

VEDLIKEHOLD

- Bruk kun produsentens originale reservedeler, tilleggsutstyr og påsatser. Dersom dette ikke følges, kan det forårsake personskader, dårlig funksjon og kan annullere garantien din.
- Service krever meget stor forsiktighet og kunnskap og bør utføres kun av kvalifisert teknisk personale. Få utført service på produktet kun av et autorisert servicesenter.
- Kontroller all mutter, bolter og skruer med jevne mellomrom at de er skrudd fast for å sikre at produktet er i driftssikker stand. Enhver del som er skadet må repareres

eller skiftes ut på fagmessig måte ved et autorisert serviceverksted.

- Bring produktet til et autorisert servicesenter for utskifting av skadede eller uleselige etiketter.
- Du kan foreta justeringer og reparasjoner som er beskrevet i denne brukermanualen. For andre typer reparasjoner eller råd anbefales det å kontakte et autorisert servicesenter.
- Etter hver bruk, rens produktet med en myk tørr klut.

FJERNING AV EN BLOKKERING

- For å redusere risikoen for skade tilknyttet kontakt med roterende deler, slå alltid av produktet, fjern batteripakken og se til at alle bevegelige deler har kommet til en fullstendig stopp.
- Fjern blåserørene for å se etter blokkering. Rengjør om nødvendig rørene.
- Reinstaller blåserslangene før start av produktet.

KJENN PRODUKTET DITT

Se side 111.

1. Av/På-bryter
2. Håndtak
3. Kobling til batteriet
4. Lås
5. Blåserøret
6. Brukermanual
7. Batteri
8. Lader

SYMBOLER



Sikkerhetsalarm



Les og forstå alle instruksjoner før du betjener produktet. Følg alle advarsler og sikkerhetsanvisninger.



Bruke syns- og hørselsvern.



Ikke utsette for regn eller fuktige forhold.



Roterende vifter. Hold hender og føtter unna åpninger mens produktet er i gang.



Tilskuere, spesielt barn og kjæledyr, må holdes på trygg avstand fra arbeidsområdet.



Garantert lydeffektnivå

Ikke kast avfallsbatterier, elektrisk og elektronisk utstyrsavfall som usortert kommunalt avfall. Avfallsbatterier og elektrisk og elektronisk utstyrsavfall må samles inn separat. Avfallsbatterier, avfallsakkumulatører og lyskilder må fjernes fra utstyret. Undersøk med de lokale myndighetene for resirkuleringsråd og innsamlingspunkt. I henhold til lokale forskrifter kan forhandlere være forpliktet til å ta tilbake avfallsbatterier, elektrisk og elektronisk utstyrsavfall gratis. Ditt bidrag til gjenbruk av og gjenvinning av avfallsbatterier og elektrisk og elektronisk utstyrsavfall bidrar til å redusere etterspørselen etter råmaterialer. Avfallsbatterier, spesielt de som inneholder litium, og elektrisk og elektronisk utstyrsavfall inneholder verdifulle og resirkulerbare materialer som kan påvirke miljøet og menneskets helse negativt, hvis de ikke blir kastet på en miljøkompatibel måte. Slett personlig data fra utstyrsavfall, om noen.



В основе конструкции вашей беспроводной воздуходувки лежат принципы безопасности, продуктивности и надежности.

НАЗНАЧЕНИЕ

Беспроводная воздуходувка предназначена для использования только вне помещений в сухих условиях при достаточном освещении.

Данное устройство не предназначено для использования детьми или лицами с ограниченными физическими, психическими или сенсорными возможностями.

Продукт предназначен для сдувания мелкого мусора, в том числе листьев, травы и тому подобных предметов.

Не используйте устройство для каких-либо иных целей.

ОБЩИЕ ПРАВИЛА БЕЗОПАСНОСТИ

⚠ ОСТОРОЖНО! Прочтите все предупреждения и инструкции по технике безопасности. Несоблюдение приводимых ниже предупреждений и инструкций может привести к поражению электрическим током, возгоранию или тяжким телесным повреждениям. Сохраните все предупреждения и инструкции по технике безопасности для последующего использования.

⚠ ОСТОРОЖНО! Никогда не позволяйте детям или людям, незнакомым с этими инструкциями, использовать данное изделие. Местные инструкции могут ограничить возраст оператора.

ОБУЧЕНИЕ

- Внимательно прочтите данные инструкции. Ознакомьтесь с элементами управления и правильным использованием устройства.
- Иметь в виду, что оператор или пользователь ответственны за несчастные случаи или опасности, встречающиеся другим людям или их собственности.
- Воздержитесь от использования изделия, если вы ощущаете усталость или болезненное состояние, а также под воздействием наркотиков, алкоголя или медицинских препаратов.

ПОДГОТОВКА

- В некоторых регионах существуют ограничения на использование некоторых операций с данным устройством. Проконсультируйтесь с местными органами власти.
- Обязательно носите специальные устройства для защиты слуха. Изделие работает шумно и несоблюдение мер предосторожности в отношении длительности воздействия и уровня шума может стать причиной необратимой травмы органов слуха.
- Обязательно носите специальные устройства защиты зрения. Используйте полнолицевую маску или защитные очки закрытого типа. Обычные очки или солнцезащитные очки не являются надлежащей защитой. Мощная струя воздуха может привести к быстрому отлетанию посторонних предметов и их отскоку от твердых поверхностей в сторону оператора.
- Во время эксплуатации изделия всегда носите специальную обувь и длинные брюки. Не работайте с инструментом босиком или в открытых сандалиях. Не надевайте свободную одежду или одежду со свисающими шнурками или узлами.
- Не носите просторную одежду или ювелирные украшения, которые могут затянуться в воздухозаборное отверстие. Соберите длинные волосы выше плеч, чтобы предотвратить их попадание в движущиеся части.
- Убедитесь перед каждым использованием, что все элементы управления и предохранительные устройства функционируют правильно. Не используйте устройство, если невозможно остановить двигатель выключателем.
- Работайте с устройством, занимая рекомендуемое положение и только на твердой, ровной поверхности.
- Не работайте с инструментом на мощной или покрытой гравием поверхности, так как при этом выбрасываемый материал может привести к телесным повреждениям.

- Проверьте корпус изделия на предмет повреждений перед каждым использованием. Убедитесь в том, что защитные приспособления и ручки находятся на месте и надежно закреплены. Замените изношенные или поврежденные, чтобы обеспечить балансировку. Замените поврежденные или нечитаемые наклейки.
 - Не работайте с устройством, если рядом присутствуют посторонние лица, особенно дети, а также домашние животные.
 - Очищайте от мусора вентиляционные отверстия для охлаждения двигателя.
 - Перед использованием удалите мусор с помощью граблей или метлы.
 - Перед каждым использованием проверяйте рабочую зону. Уберите такие объекты, как камни, осколки стекла, гвозди, провода или шнуры, которые могут далеко отлететь под воздействием быстрого потока воздуха.
 - Слишком продолжительное использование инструмента может привести к травме. При использовании инструмента в течение длительного времени делайте регулярные перерывы.
- металлических предметов, которые могут привести к замыканию контактов батареи. Замыкание контактов батареи может вызвать ожоги или привести к возгоранию.
- При ненормальных условиях из батареи может вытечь жидкость, избегайте контакта с ней. Если этого избежать не удалось, смойте жидкость водой. Если жидкость попала в глаза, после их промывания обратитесь за медицинской помощью. Жидкость, вытекающая из батареи, может вызвать раздражение или ожог.
 - Не используйте поврежденный или модифицированный аккумуляторный блок и инструмент. Поврежденные или модифицированные аккумуляторы могут вести себя непредсказуемо, что может привести к пожару, взрыву или послужить причиной травмы.
 - Не подвергайте аккумуляторный блок и инструмент воздействию огня и высокой температуры. Воздействие огня или температуры выше 130 °C может привести к взрыву.
 - Заряжайте аккумуляторные блоки и инструмент в соответствии с инструкцией, не подвергая их при этом воздействию температур вне диапазона, указанного в инструкции. Несоблюдение инструкций и зарядка при воздействии температур вне диапазона, указанного в инструкции, может привести к повреждению аккумулятора и повысить риск возгорания.

ЭКСПЛУАТАЦИЯ УСТРОЙСТВА С АККУМУЛЯТОРНЫМ ПИТАНИЕМ И УХОД ЗА НИМ

- Зарядку выполняйте только с использованием зарядного устройства, указанного изготовителем. Зарядное устройство, подходящее к одному типу аккумуляторных батарей, может создать опасность возгорания при использовании с аккумуляторными батареями другого типа.
- Используйте электрические устройства только со специально предназначенными для них аккумуляторными батареями. Использование аккумуляторных батарей другого типа может привести к телесным повреждениям или возгоранию.
- Если аккумуляторная батарея не используется, храните ее отдельно от других металлических предметов, например канцелярских скрепок, монет, ключей, гвоздей, винтов и других мелких

ЭКСПЛУАТАЦИЯ

- Используйте устройство только в рабочее время, а не рано утром или поздно вечером, когда это может мешать окружающим.
- Никогда не используйте изделие во взрывоопасной атмосфере.
- Избегайте использования устройства в плохих погодных условиях, особенно когда существует риск попадания молнии.
- Не допускайте прохожих, детей и домашних животных ближе чем на 15 м

от рабочей зоны. Остановите устройство, если кто-то войдет в рабочую зону.

- Использование изделия в условиях слабого освещения не допускается. Оператор должен четко видеть рабочую зону в целях выявления потенциальных опасностей.
- Эксплуатация аналогичных устройств вблизи рабочей зоны повышает риск повреждения слуха и опасность появления посторонних лиц в вашей рабочей зоне.
- Обеспечьте устойчивость ног при работе на склонах. Передвигайтесь шагом, не бегайте.
- Держать устойчивую опору и баланс. Не перенапрягать. Перенапряжение может кончиться потерей баланса.
- Не пользуйтесь инструментом в случае повреждения защитных устройств или без установленных щитков или других защитных приспособлений.
- Всегда выключайте инструмент и извлекайте аккумуляторный блок, чтобы исключить риск травмы при контакте с движущимися деталями. Убедитесь в полной остановке всех движущихся деталей:
 - перед тем, как оставить инструмент без присмотра
 - перед устранением засоров
 - перед проверкой, чисткой и техобслуживанием продукта
 - перед проверкой изделия после удара о посторонний предмет
 - если продукт начинает вибрировать (проверьте немедленно)
- В случае аварии или поломки незамедлительно выключите устройство и извлеките аккумуляторный блок. Не используйте устройство, обратитесь в гарантийное обслуживание для дальнейшей проверки.
- Запрещается каким-либо образом изменять конструкцию устройства или использования детали и

принадлежности, не рекомендованные производителем.

- Если устройство уронили, оно издает громкий стук или начинает чрезмерно вибрировать, немедленно остановите его и проверьте на наличие повреждений или выясните причину вибрации. Любые поврежденные детали должны быть надлежащим образом отремонтированы или заменены в авторизованном сервисном центре.

⚠ ОСТОРОЖНО! В комплект изделия может входить ремень. Аккуратно отрегулируйте ремень, чтобы было удобно держать устройство.

Найдите механизм быстрого освобождения и опробуйте его перед началом использования устройства. Его правильное использование может предотвратить серьезные травмы в случае возникновения чрезвычайной ситуации. Нельзя надевать одежду поверх ремня или иным образом ограничивать доступ к механизму быстрого снятия.

ПРЕДУПРЕЖДЕНИЯ ПО ТЕХНИКЕ БЕЗОПАСНОСТИ ПРИ РАБОТЕ С ВОЗДУХОДУВОМ

- Для снижения опасности травмирования, связанного с вдыханием пыли при повышенной запыленности, надевайте на лицо защитную маску.
- Слегка смочите поверхности в условиях сильной запыленности.
- Не работайте с устройством вблизи открытых окон.
- Используйте дополнительную насадку воздуходувки, чтобы поток воздуха был близко к земле для максимальной эффективности.
- Не направляйте выходное отверстие в режиме выдувания на людей или домашних животных.
- Не допускайте попадания посторонних предметов в трубки воздуходувки.
- Запрещается помещать изделие сверху или рядом с мусором. Мусор может затянуться в воздухозаборник и привести к повреждению устройства.

ТРЕБОВАНИЯ БЕЗОПАСНОСТИ ПРИ ИСПОЛЬЗОВАНИИ ДОПОЛНИТЕЛЬНОЙ АККУМУЛЯТОРНОЙ БАТАРЕИ

Чтобы уменьшить риск пожара, травмы и повреждения изделия вследствие короткого замыкания не погружайте изделие, аккумуляторный блок или зарядное устройство в жидкость и не допускайте попадания жидкости внутрь. Коррозионные и проводящие жидкости, такие как соленый раствор, определенные химикаты, отбеливающие средства или содержащие их продукты, могут привести к короткому замыканию.

ТРАНСПОРТИРОВКА И ХРАНЕНИЕ

- Перед размещением на хранение или транспортировкой выключите изделие, извлеките аккумуляторный блок и дождитесь остывания изделия.
- Очистите устройство от всех посторонних материалов. Храните его в прохладном, сухом, хорошо проветриваемом и недоступном для детей месте. Оберегайте от веществ, вызывающих коррозию, например, садовых удобрений или соли для удаления льда. Запрещается хранить изделие на улице.
- Для транспортировки закрепите изделие так, чтобы оно не могло перемещаться или упасть во избежание травмирования персонала или повреждения изделия.

ПЕРЕВОЗКА ЛИТIEВЫХ БАТАРЕЙ

Транспортировку батареи осуществляйте в соответствии местными и национальными нормами и положениями.

Следуйте всем особым требованиям к упаковке и маркировке при транспортировке батареи в сторонние организации. Проверьте, чтобы батарея не соприкасалась с другими батареями или токопроводящими материалами во время транспортировки, защитив открытые контакты с помощью изоляции, непроводящих колпачков или пленки.

Не транспортируйте поврежденные или протекающие батареи. За консультацией обращайтесь в транспортно-экспедиционную компанию.

ОБСЛУЖИВАНИЕ

- Используйте только оригинальные запчасти, аксессуары и насадки от производителя. Невыполнение этого требования может привести к травме, к снижению производительности и к аннулированию гарантии.
- Обслуживание требует чрезвычайной заботы и знания и должно быть выполнено только квалифицированным техником обслуживания. Обратитесь в авторизованный сервисный центр.
- Проверить все болты, задвижки, и винты, через короткие интервалы, на надлежащую плотность, чтобы убедиться, что изделие находится в безопасном, рабочем состоянии. В случае повреждения какой-либо детали необходимо обратиться в авторизованный сервисный центр для выполнения надлежащего ремонта или замены.
- Обратитесь в авторизованный сервисный центр для замены поврежденных или нечитаемых этикеток изделия.
- Вы можете также выполнить другие виды регулировки и ремонтные работы, описанные в данном руководстве. Для проведения других ремонтных работ или за получением рекомендаций обращайтесь в авторизованный сервисный центр.
- После каждого использования протирайте изделие мягкой сухой тканью.

ОЧИСТКА ЗАСОРЕНИЯ

- Чтобы снизить риск получения травмы при контакте с подвижными деталями, всегда выключайте изделие, извлекайте аккумулятор и дождитесь остановки всех движущихся деталей.

- Отсоедините воздушные трубки и осмотрите их на предмет засорения. Очистите трубки, если необходимо.
- Перед запуском изделия установите трубки воздуходувки.

ИЗУЧИТЕ УСТРОЙСТВО

См. стр. 111.

1. Кнопка запуска
2. Рукоятка
3. Отделение для аккумулятора
4. Защелка
5. Трубка выдувания
6. Руководство пользователя
7. Аккумулятор
8. Зарядное устройство

УСЛОВНЫЕ ОБОЗНАЧЕНИЯ



Внимание



Перед началом работы с изделием внимательно ознакомьтесь со всеми инструкциями. Соблюдайте технику безопасности.



Надевайте средства защиты органов зрения и слуха.



Не подвергайте инструмент воздействию дождя и не используйте в условиях повышенной влажности.



Вращающиеся вентиляторы. Не приближайтесь к отверстиям во время работы устройства.



Следите за тем, чтобы посторонние лица, особенно дети, а также животные находились на безопасном расстоянии от рабочей зоны.



Гарантируемый уровень звуковой мощности



Утилизация аккумуляторов, электрического и электронного оборудования в месте с несортированными бытовыми отходами не допускается. Сбор аккумуляторов, электрического и электронного оборудования в целях утилизации должен осуществляться отдельно. Перед утилизацией необходимо извлечь из оборудования элементы питания, аккумуляторы и источники света. Уточните порядок утилизации и местонахождения пункта приема у местных властей или поставщика. Ритейлеры могут быть обязаны бесплатно принимать аккумуляторы, электрическое и электронное оборудование на утилизацию в соответствии с местными регламентами. Ваш вклад в повторную переработку аккумуляторов, а также электрического и электронного оборудования позволит сократить потребность в сырье. Аккумуляторы, в частности, содержащие литий, а также электрическое и электронное оборудование содержит ценные и подлежащие повторной переработке материалы, которые в случае ненадлежащей утилизации способны вредить экологии и здоровью людей. Перед утилизацией удалите с оборудования все персональные данные.

Транспортировка:

Категорически не допускается падение и любые механические воздействия на упаковку при транспортировке.

При разгрузке/погрузке не допускается использование любого вида техники, работающей по принципу зажима упаковки.

Хранение:

Необходимо хранить в сухом месте.

Необходимо хранить вдали от источников повышенных температур и воздействия солнечных лучей.

При хранении необходимо избегать резкого перепада температур.

Хранение без упаковки не допускается.

Срок службы изделия:

Срок службы изделия составляет 5 лет.

Не рекомендуется к эксплуатации по истечении 5 лет хранения с даты изготовления без предварительной проверки.

Дата изготовления (код даты) отштампован на поверхности корпуса изделия.

Пример:

W17 Y2015, где Y2015 - год изготовления

W17 – неделя изготовления

Определить месяц изготовления можно согласно приведенной ниже таблице, на примере 2015 года.

Обратите внимание! Количество недель в месяце различается от года в год.

Месяц	Январь	Февраль	Март	Апрель	Май	Июнь	Июль	Август	Сентябрь	Октябрь	Ноябрь	Декабрь	Год
Неделя	01	05	09	14	18	22	27	31	36	40	44	49	2015
	02	06	10	15	19	23	28	32	37	41	45	50	
	03	07	11	16	20	24	29	33	38	42	46	51	
	04	08	12	17	21	25	30	34	39	43	47	52	
	05	09	13	18	22	26	31	35	40	44	48	53	
		14			27								

Bezpieczeństwo, efektywność i niezawodność były czynnikami o najwyższym priorytecie w trakcie projektowania Państwa dmuchawy bezprzewodowej.

PRZEZNACZENIE URZĄDZENIA

Dmuchała bezprzewodowa przeznaczona jest wyłącznie do używania na zewnątrz, w miejscach suchych i dobrze oświetlonych.

Produkt ten nie jest przeznaczony do użytkowania przez dzieci lub osoby o ograniczonych zdolnościach fizycznych, umysłowych lub sensorycznych.

Produkt jest przeznaczony do wydmuchiwania i wciągania lekkich śmieci, w tym liści, trawy i innych odpadów ogrodowych.

Nie używać do żadnych innych celów.

OGÓLNE OSTRZEŻENIA DOTYCZĄCE BEZPIECZEŃSTWA

⚠ OSTRZEŻENIE! Zapoznaj się ze wszystkimi zasadami bezpieczeństwa i instrukcjami. Niezastosowanie się do ostrzeżeń i instrukcji może spowodować porażenie prądem, pożar oraz/lub poważne obrażenia ciała. Zachowajcie te ostrzeżenia i zalecenia, aby móc się do nich odnieść w późniejszym czasie.

⚠ OSTRZEŻENIE! Nigdy nie wolno pozwalać obsługiwać tego produktu dzieciom ani osobom nieznanym tych instrukcji. Lokalne przepisy mogą ograniczać dopuszczalny wiek operatora.

SZKOLENIE

- Przeczytać uważnie wszystkie instrukcje. Należy zapoznać się z przyrządami sterowania oraz zasadami prawidłowej obsługi produktu.
- Należy pamiętać, że operator lub użytkownik jest odpowiedzialny za spowodowanie wypadku lub zagrożenia bezpieczeństwa osób i mienia.
- Nie obsługiwać tego urządzenia w stanie zmęczenia, choroby, będąc pod wpływem alkoholu, środków odurzających lub leków.

PRZYGOTOWANIE

- W niektórych regionach obowiązują przepisy ograniczające używanie produktu w przypadku określonych działań. Informacje na ten temat można uzyskać w lokalnych urzędach.
- Podczas obsługi produktu przez cały czas należy stosować pełne zabezpieczenie

sluchu. Produkt jest głośny, a nieprzestrzeganie środków ostrożności mających na celu ograniczenie narażenia i zmniejszenie hałasu w sposób ścisły może spowodować trwałe uszkodzenie słuchu.

- Podczas obsługi produktu przez cały czas należy stosować pełne zabezpieczenie oczu. Nosić maskę pełnotwarzową lub całkowicie zamknięte gogle. Standardowe okulary lub okulary przeciwsłoneczne nie zapewniają wymaganego zabezpieczenia. Obiekty w każdej chwili mogą być odrzucone z dużą szybkością przez wydajny nadmuch powietrza i mogą odbić się od twardej powierzchni, uderzając operatora.
- Podczas obsługi produktu zawsze należy nosić odpowiednie obuwie oraz długie spodnie. Nie wolno obsługiwać urządzenia będąc boso, lub mając założone lekkie obuwie typu sandały. Unikać zakładania luźnej odzieży, ze sznurkami lub krawatem.
- Nie należy nosić luźnej odzieży lub biżuterii, która może być wciągnięta do wlotu powietrza. Długie włosy należy związać, aby znajdowały się powyżej ramion i aby nie zostały pochwycone przez maszynę.
- Przed użyciem należy sprawdzić, czy wszystkie przyrządy sterowania oraz zabezpieczenia działają prawidłowo. Nie należy używać narzędzia, jeśli wyłącznik („off”) nie umożliwi wyłączenia produktu.
- Produkt należy obsługiwać w rekomendowanej pozycji oraz jedynie na równej i stabilnej powierzchni.
- Nie uruchamiać maszyny na powierzchni żwirowej lub utwardzonej, gdzie wyrzucany materiał może spowodować zranienie.
- Przed każdym użyciem zawsze należy sprawdzić, czy obudowa nie jest uszkodzona. Należy upewnić się, że osłony i uchwyty znajdują się na swoim miejscu i są dobrze zamocowane. Zużyte lub uszkodzone elementy należy wymieniać całymi zestawami, aby zachować odpowiednie wyważenie. Wymienić uszkodzone lub nieczytelne etykiety.
- Nie wolno używać tego urządzenia, gdy w pobliżu znajdują się osoby postronne, szczególnie dzieci lub zwierzęta.
- Wszelkie otwory wentylacyjne należy utrzymywać w stanie wolnym od zanieczyszczeń.
- Przed włączeniem dmuchawy należy usunąć z niej pozostałości za pomocą grabi i miotły.

- Oczyszczyć miejsce pracy każdorazowo przed rozpoczęciem pracy. Należy usunąć wszelkie obiekty, takie jak kamienie, szkło, gwoździe, drut itp. ponieważ mogą być one odrzucone przez sprężone powietrze.
- Długotrwałe użytkowanie narzędzia może spowodować obrażenia ciała lub nasilić dolegliwości zdrowotne. W przypadku używania narzędzia przed dłuższy czas należy pamiętać o regularnych przerwach.

UŻYTKOWANIE I OBSŁUGA AKUMULATORA

- Ładować wyłącznie za pomocą ładowarki dostarczonej przez producenta. Ładowarka przeznaczona do jednego modelu akumulatora może być przyczyną pożaru w przypadku zastosowania do ładowania akumulatora innego typu.
- Używać narzędzi ręcznych z napędem elektrycznym wyłącznie z akumulatorami przeznaczonymi do tych urządzeń. Używanie innych akumulatorów wiąże się ze zwiększonym ryzykiem pożaru lub obrażeń ciała.
- Gdy akumulator nie jest używany, przechowywać go z dala od innych metalowych przedmiotów, np. spinaczy, monet, kluczy, gwoździ, śrub lub innych małych metalowych przedmiotów, które mogłyby utworzyć połączenie między stykami, prowadząc do zwarcia. Zwarcie styków akumulatora może spowodować oparzenia lub pożar.
- W przypadku niewłaściwej obsługi może dojść do wycieku płynu z akumulatora, należy unikać kontaktu z tym płynem. Miejsce ewentualnego kontaktu przepłukać wodą. W przypadku, gdy płyn dostanie się do oczu, po przemyciu zwrócić się o pomoc do lekarza. Płyn wyciekający z akumulatora może powodować podrażnienia i oparzenia.
- Nie stosować uszkodzonych ani zmodyfikowanych akumulatorów i narzędzi. Uszkodzone lub zmodyfikowane akumulatory mogą zachowywać się w sposób nieprzewidywalny, co może prowadzić do pożaru, wybuchu lub ryzyka obrażeń.
- Nie narażać akumulatora lub narzędzia na działanie ognia lub zbyt wysokich temperatur. Narażenie na działanie ognia lub temperatury powyżej 130 °C może spowodować wybuch.
- Przestrzegać wszystkich instrukcji ładowania i nie ładować akumulatora ani narzędzia poza podanym w instrukcji zakresem temperatur. Ładowanie w niewłaściwy sposób lub w

temperaturze poza określonym zakresem może doprowadzić do uszkodzenia akumulatora i wzrostu zagrożenia pożarowego.

SPOSÓB UŻYCIA

- Z maszyny można korzystać wyłącznie w rozsądnych godzinach, a nie wcześniej rano lub późno w nocy, zakłócając spójność innych ludzi.
- Nigdy nie wolno używać produktu w wybuchowej atmosferze.
- Należy unikać używania produktu w złych warunkach pogodowych, szczególnie jeśli występuje ryzyko wyładowań atmosferycznych.
- Osoby postronne, dzieci i zwierzęta muszą znajdować się w odległości przynajmniej 15 metrów od miejsca pracy. Jeśli na obszarze znajduje się inna osoba, należy zatrzymać produkt.
- Nie włączać produktu w miejscach źle oświetlonych. Operator musi dobrze widzieć miejsce pracy, aby móc zidentyfikować potencjalne zagrożenia.
- Praca podobnych narzędzi w pobliżu zwiększa ryzyko urazu słuchu oraz wtargnięcia innej osoby na miejsce pracy.
- Na zboczach należy zawsze stać w sposób pewny. Podczas pracy należy chodzić, nie wolno biegać.
- Stać stabilnie, zachowując równowagę. Nie sięgać zbyt daleko. Sięganie zbyt daleko grozi utratą równowagi.
- Nie wolno używać urządzenia z uszkodzonymi osłonami lub pokrywami lub bez elementów zabezpieczających.
- Aby ograniczyć ryzyko obrażeń związanych z kontaktem z obracającymi się częściami, zawsze wyłączać produkt i wyjmować akumulator. Upewnić się, że wszystkie elementy ruchome zostały całkowicie zatrzymane:
 - przed pozostawieniem produktu bez nadzoru
 - przed przystąpieniem do usuwania zatorów
 - przed sprawdzeniem, czyszczeniem i użytkowaniem produktu
 - przed przystąpieniem do sprawdzania produktu po uderzeniu w inny przedmiot
 - jeśli produkt zacznie wibrować w nietypowy sposób (należy natychmiast przeprowadzić kontrolę)
- W razie wypadku lub awarii natychmiast wyłączyć i wymontować akumulator. Nie należy włączać produktu ponownie, dopóki nie zostanie w pełni sprawdzony przez autoryzowane centrum serwisowe.

- Nie należy modyfikować maszyny w żaden sposób ani używać części i akcesoriów, które nie są zalecane przez producenta.
- W przypadku upuszczenia produktu, narażenia jej na silne uderzenie lub w przypadku wystąpienia nietypowych wibracji należy natychmiast zatrzymać produkt i sprawdzić, czy nie ma oznak uszkodzenia lub ustalić przyczynę wibracji. Wszelkie uszkodzone części muszą być odpowiednio naprawione lub wymienione w autoryzowanym punkcie serwisowym.

⚠ **OSTRZEŻENIE!** Produkt może być dostarczany z uprzężą. Należy starannie dopasować uprząż, aby umożliwiła ona komfortowe wsparcie produktu.

Należy sprawdzić, w jaki sposób należy obsługiwać mechanizm szybkiego zwalniania i przećwiczyć używanie go przed uruchomieniem maszyny. Prawidłowe użycie może zapobiec poważnym obrażeniom ciała w razie nagłej sytuacji. Nigdy nie należy zakładać na uprząż dodatkowej odzieży lub w inny sposób ograniczać dostępu do mechanizmu szybkiego rozłączania.

OSTRZEŻENIA DOTYCZĄCE DMUCHAWY

- W przypadku wytwarzania dużej ilości kurzu, aby zapobiec jego wdychaniu, należy stosować maskę przeciwpyłową.
- W przypadku dużego zapylenia należy lekko zwilżyć powierzchnię.
- Nie uruchamiać urządzenia w pobliżu otwartych okien.
- Należy używać szerokiej dyszy, tak aby strumień powietrza mógł być prowadzony blisko ziemi i produkt pracował optymalnie.
- Nie wolno kierować dyszy dmuchawy w kierunku osób postronnych lub zwierząt.
- Nigdy nie wolno wkładać obiektów do rur dmuchawy.
- Nie umieszczać produktu na lub w pobliżu leżących luzem odpadów. Gruz może zostać wciągnięty przez otwory powietrza dolotowego, co może spowodować uszkodzenie urządzenia.

AKUMULATOR — DODATKOWE OSTRZEŻENIA DOTYCZĄCE BEZPIECZEŃSTWA

Aby ograniczyć ryzyko pożaru, obrażeń oraz uszkodzenia produktu z powodu zwarcia, nigdy nie zanurzać produktu, akumulatora ani ładowarki w płynie ani nie dopuszczają

do przedostania się płynu do ich wnętrza. Zwarcie spowodować mogą korodujące lub przewodzące ciecze, takie jak woda morską, określone chemikalia i wybielacze lub produkty zawierające wybielacze.

TRANSPORT I PRZECHOWYWANIE

- Przed odłożeniem bądź rozpoczęciem transportu lub składowania wymontować akumulator i poczekać, aż produkt ostygnie.
- Usunąć z produktu wszelkie zanieczyszczenia. Należy przechowywać urządzenie w chłodnym, suchym i dobrze wentylowanym miejscu, które jest niedostępne dla dzieci. Nie przechowywać urządzenia wraz z materiałami korozyjnymi, takimi jak ogorodowe substancje chemiczne lub sól odmróżająca. Nie przechowywać produktu poza pomieszczeniami.
- W przypadku transportu produktu należy zabezpieczyć go przed przemieszczaniem się lub upadkiem, aby nie dopuścić do obrażeń ciała lub uszkodzenia urządzenia.

TRANSPORTOWANIE AKUMULATORÓW LITOWYCH

Akumulatory należy transportować zgodnie z lokalnymi i krajowymi przepisami i regulacjami.

Należy postępować zgodnie z wszystkimi specjalnymi wymaganiami dotyczącymi pakowania i etykietowania akumulatorów podczas transportu przez stronę trzecią. Upewnij się, że żadne akumulatory nie zetkną się z innymi akumulatorami lub materiałami przewodzącymi podczas transportu; w tym celu należy zabezpieczyć odkryte złącza nieprzewodzącymi nakładkami izolacyjnymi lub taśmą izolacyjną. Nie należy transportować pękniętych ani nieszczelnych akumulatorów. Szczegółowe porady można uzyskać w firmie spedycyjnej.

KONSERWACJA

- Należy stosować wyłącznie oryginalne części zamienne, akcesoria oraz przystawki producenta. W przeciwnym razie może dojść do obrażeń ciała, niskiej wydajności oraz do unieważnienia gwarancji.
- Serwisowanie wymaga wyjątkowej staranności i wiedzy. Może być wykonywane wyłącznie przez wykwalifikowany personel serwisowy. Serwisowanie należy powierzać wyłącznie autoryzowanemu serwisowi.
- Systematycznie sprawdzać, czy wszystkie nakrętki, wkręty i śruby są dobrze dokręcone,

aby upewnić się, że produkt jest w bezpiecznym stanie. Każdą uszkodzoną część należy odpowiednio naprawić lub wymienić w autoryzowanym punkcie serwisowym.

- Jeśli etykiety są uszkodzone lub nieczytelne, należy zwrócić produkt do punktu serwisowego w celu wymiany etykiet.
- Możesz wykonywać czynności regulacyjne i naprawcze opisane w tej instrukcji obsługi. W przypadku innych napraw lub pytań należy zwrócić się o pomoc do autoryzowanego punktu serwisowego.
- Po każdym użyciu należy wyczyścić produkt miękką, suchą szmatką.

USUWANIE ZABLOKOWANYCH ELEMENTÓW

- Aby zmniejszyć ryzyko wypadku wynikające z zetknięcia z częściami w ruchu, zawsze zatrzymać produkt, wymontować akumulator i sprawdzić, czy wszystkie części ruchome całkowicie się zatrzymały.
- Zdemontować rury nadmuchowe w celu sprawdzenia, czy żadne pozostałości nie blokują urządzenia. W razie potrzeby usunąć obce objekty.
- Przed uruchomieniem produktu ponownie zainstalować rury dmuchawy.

POZNAJ SWÓJ PRODUKT

Patrz str. 111.

1. Przełącznik wł./wył.
2. Rękojeść
3. Podłączenie do akumulatora
4. Zatrząsk
5. Rura nadmuchu
6. Instrukcja obsługi
7. Akumulator
8. Ładowarka

SYMBOLE



Alarm bezpieczeństwa

Przed przystąpieniem do obsługi produktu należy przeczytać ze zrozumieniem wszystkie instrukcje. Należy przestrzegać wszystkich ostrzeżeń i instrukcji dotyczących bezpieczeństwa.



Zakładać środki ochrony wzroku i słuchu.



Nie wystawiać urządzenia na działanie deszczu ani nie używać w miejscach o dużej wilgotności.



Obracające się wentylatory. Nie należy zbliżać rąk ani nóg do otworów podczas pracy produktu.



Wszystkie osoby postronne, zwłaszcza dzieci i zwierzęta domowe, należy trzymać w bezpiecznej odległości od obszaru pracy.



Gwarantowany poziom mocy akustycznej

Zużytego sprzętu elektrycznego i elektronicznego, w tym zużytych baterii i akumulatorów, nie należy wyrzucać jako nieposortowanych odpadów komunalnych.

Zużyty sprzęt elektryczny i elektroniczny, w tym zużyte baterie i akumulatory, musi być gromadzony osobno. Zużyte baterie, akumulatory i źródła światła muszą zostać usunięte ze sprzętu. Skontaktować się z lokalnymi władzami lub sprzedawcą detalicznym w celu uzyskania porad dotyczących recyklingu i punktu zbiórki odpadów. Zgodnie z lokalnymi przepisami sprzedawcy detaliczni mogą być zobowiązani do nieodpłatnego odbioru użytego sprzętu elektrycznego i elektronicznego, w tym baterii i akumulatorów. Państwa wkład w ponowne wykorzystanie i recykling użytego sprzętu elektrycznego i elektronicznego, w tym baterii i akumulatorów, pomaga zmniejszyć zapotrzebowanie na surowce. Zużyte baterie i akumulatory — w szczególności zawierające lit — a także pozostały sprzęt elektryczny i elektroniczny, zawierają nadające się do recyklingu i cenne materiały i surowce, które mogą mieć negatywny wpływ na środowisko naturalne i zdrowie ludzkie, jeśli nie są usuwane w sposób przyjazny dla środowiska naturalnego. Z utylizowanego sprzętu należy usunąć wszelkie ewentualne dane osobowe.



Při návrhu tohoto akumulátorového fukaru byl kladen obzvláštní důraz na bezpečnost, provozní vlastnosti a spolehlivost.

ZAMÝŠLENÉ POUŽITÍ

Akumulátorový fukar je určen pouze k venkovnímu používání za sucha a příznivých světelných podmínek.

Tento nástroj není určen pro používání osobami, včetně dětí, pokud jsou jejich fyzické, pohybové nebo mentální schopnosti sníženy.

Nástroje je určen pro odfukování lehkých materiálů, včetně listí, trávy nebo jiného odpadu ze zahrad.

Přístroj nepoužívejte ji k jiným účelům.

VŠEOBECNÁ BEZPEČNOSTNÍ VAROVÁNÍ

⚠ VAROVÁNÍ! Přečtěte si všechny pokyny a bezpečnostní varování. Opomenutí dodržování varování a pokynů uvedených níže může způsobit úraz elektřinou požár a/nebo vážná poranění osob. Ušchovejte všechny pokyny a upozornění, abyste se k nim mohli v budoucnosti vrátit.

⚠ VAROVÁNÍ! Nenechteje děti nebo osoby neseznámené s těmito pokyny pracovat s výrobkem. Místní předpisy mohou omezovat dobu obsluhy.

ZAŠKOLENÍ

- Návod si pečlivě přečtěte. Seznamte se s ovládáním a řádným používáním nástroje.
- Uživatel nebo obsluha tohoto zahradnického nástroje je zodpovědná za nehody nebo nebezpečí způsobená na jiné osobě nebo jejich majetku.
- Přístroj nepoužívejte při únavě nebo nemoci ani pod vlivem drog, alkoholu nebo léků.

PŘÍPRAVA

- Místní předpisy mohou omezovat použití výrobku. Ověřte si u svého orgánu místní správy toto nařízení.

- Při práci s nástrojem vždy používejte ochranu sluchu. Výrobek je hlučný a nemusí bezesbytku splňovat hygienické požadavky omezující vaši expozici, což může vyústit v nevratné poškození sluchu.

- Při práci s nástrojem vždy používejte ochranu zraku. Používejte celoobličejovou masku nebo uzavřené ochranné brýle. Dioptrické ani sluneční brýle nejsou vhodnou ochranou. Objekty mohou být odmršťovány vysokou rychlostí silným proudem vzduchu a mohou se odrážet od pevných povrchů směrem k obsluze.

- Když s nástrojem pracujete, noste vždy pevnou obuv a dlouhé kalhoty. Se zařízením nepracujte, pokud máte obuty sandály s otevřenou špičkou, nebo pokud jste bosí. Zamezte nošení volných oděvů, nebo které mají vlající šňůrky nebo pásky.

- Nenoste volné oblečení nebo šperky, mohou se zachytit do nasávání vzduchu. Dlouhé vlasy si svažte nad rameny, aby se nemohly zaplést do pohyblivých částí.

- Před každým použitím se ujistěte, že všechny ovladače a jističe řádně fungují. Nástroj nepoužívejte, pokud přepínač „nevypíná“ (off) nástroj.

- Výrobek provozujte pouze v doporučené poloze a pouze na pevném, rovném povrchu.

- Neprovozujte stroj na dlážděné nebo šterkové ploše, kdy by mohl vystřelený materiál způsobit poranění.

- Před použitím vždy zkontrolujte možné poškození krytu. Ujistěte se, že jsou všechny chrániče a kryty na místě a zajištěny. Vyměňujte opotřebované nebo poškozené díly, abyste zachovali rovnováhu. Vyměňte poškozené nebo nečitelné štítky.

- Nikdy nepracujte s přístrojem, když jsou v blízkosti osoby, obzvláště děti nebo domácí zvířata.

- Udržujte všechny otvory pro chlazení vzduchem prosté smětí.

- Před použitím fukaru uvolněte volné předměty pomocí hrábí a smetáku.

- Před každým použitím si vyčistěte pracovní oblast. Odstraňte všechny předměty, například kameny, rozbité sklo, dráty nebo strunu, které se mohou vymrštit velmi silným proudem vzduchu.
- Poranění mohou být způsobena, či zhoršena, prodlouženým používáním nástroje. Když používáte jakýkoliv nástroj delší dobu, dělejte pravidelně přestávky.

POUŽITÍ A PÉČE O NÁSTROJ NA BATERIE

- Dobíjejte pouze nabíječkou určenou výrobcem. Nabíječka, která je vhodná pro jeden typ akumulátoru může způsobit nebezpečí požáru, pokud se používá s jiným bateriovým modulem.
- Elektrický nástroj používejte pouze s přesně určeným bateriovým modulem. Použití jakéhokoliv jiného akumulátoru může způsobit nebezpečí poranění a požáru.
- Pokud akumulátor nepoužíváte, uchovávejte jej mimo kovové předměty jako svorky pro papír, mince, klíče, hřebíky, šrouby nebo jiné malé kovové předměty, které mohou vytvořit propojení jednoho vývodu s druhým. Zkratování vývodů baterie může způsobit požár nebo popáleniny.
- Za nevhodných podmínek může z baterie vytékat kapalina; zabraňte kontaktu. Pokud dojde k náhodnému kontaktu, omyjte vodou. Pokud kapalina přijde do kontaktu s očima, ihned vyhledejte lékařskou pomoc. Kapalina vytečená z baterie způsobit podráždění nebo popáleniny.
- Nepoužívejte baterie ani nástroj, který je poškozený nebo upravený. Poškozené nebo upravené baterie se mohou chovat nepředvídatelně a důsledkem může být požár, výbuch nebo riziko zranění.
- Nevystavujte baterii ani nástroj ohni nebo příliš vysokým teplotám. Vystavení ohni nebo příliš vysokým teplotám převyšujícím 130 °C může způsobit výbuch.
- Postupujte podle všech pokynů k nabíjení a nenabíjejte baterie nebo nástroj mimo teplotní rozsah uvedený v pokynech.

Nesprávné nabíjení nebo při teplotách mimo uvedený rozsah může poškodit baterii a zvýšit riziko požáru.

POUŽITÍ

- Nástroj používejte pouze ve vhodnou denní dobu - ne brzy ráno nebo pozdě večer, neboť lidé mohou být rušeni.
- Nikdy nepoužívejte ve výbušném ovzduší.
- Nepožívejte stroj při špatném počasí, zejména, hrozí-li bouřky.
- Všechny přihlízející, zvláště děti a zvířata udržujte 15 m mimo pracovní oblasti. Zastavte výrobek, pokud někdo vstoupí do pracovního prostoru výrobku.
- Výrobek nepoužívejte při špatném osvětlení. Obsluha musí mít čistý výhled na pracovní oblast k identifikaci potenciálních nebezpečí.
- Obsluha podobných nástrojů zvyšuje jak nebezpečí poranění sluchu, tak osob vstupujících do zóny práce.
- Vždy na svazích zabezpečte své pevné postavení. Chodte, nikdy neběhejte.
- Udržujte bezpečné postavení a rovnováhu. Nepřeceňujte se. Přeceňování může způsobit ztrátu rovnováhy.
- Nikdy neprovozujte přístroj s poškozenými chrániči, nebo štíty, nebo bez nainstalovaných bezpečnostních zařízení.
- Ke snížení rizika úrazu v důsledku styku s otáčejícími díly přístroj vždy vypněte a vyjměte akumulátor. Ujistěte se, že se zastavily všechny pohyblivé díly:
 - před opuštěním výrobku
 - před odstraňováním ucpaní
 - před kontrolou, čištěním nebo prací na nástroji
 - před prohlídkou výrobku po nárazu do překážky
 - pokud stroj začne abnormálně vibrovat (ihned zkontrolujte)
- V případě nehody nebo poruchy okamžitě zařízení vypněte a vyjměte baterii. Výrobek můžete znovu používat až po důkladné kontrole autorizovaným servisním centrem.

- Nástroj nijak neupravujte nebo nepoužívejte příslušenství, jež nejsou doporučena výrobcem.
- Pokud začne po pádu, silných nárazech nástroj nenormálně vibrovat, zastavte nástroj a ihned zjistěte příčinu vibrací a rozsah škod. Pokud je nějaká část poškozena, musí se nechat rádne opravit nebo vymenit povereným servisním střediskem.

△ **VAROVÁNÍ!** Produkt může být dodán s popruhem. Popruhy řádně seřídte tak, aby pomáhaly rozdělovat váhu nástroje.

Vyhleďte si jak obsluhovat rychlospojku a naučte se ji používat před první obsluhou nástroje. Její správné používání může zabránit v nouzi vážným poraněním. Nad postrojem nikdy nenoste další oděv ani jinak neomezujte přístup k rychloupínacímu mechanismu.

BEZPEČNOSTNÍ VAROVÁNÍ TÝKAJÍCÍ SE FOUKAČE

- V prašných prostředích noste respirátor pro snížení nebezpečí poranění spojených s vdechováním prachu.
- V prašných podmínkách povrch lehce navlhčete.
- Neprovozujte přístroj v blízkosti otevřených oken.
- Používejte celý nástavec trysky, aby se proud vzduchu pohyboval těsně u země a pracoval efektivně.
- Trysku fukaru nikdy nesměřujte na osoby ani domácí zvířata.
- Nikdy neumísťujte předměty dovnitř trubic fukaru.
- Neumisťujte výrobek na volný odpad ani v jeho blízkosti. Smetí se může dostat do vstupních otvorů, což má za následek možné poškození přístroje.

DOPLŇUJÍCÍ BEZPEČNOSTNÍ UPOZORNĚNÍ K BATERII

Ke snížení rizika požáru, úrazu a poškození výrobku v důsledku zkratu nikdy nenote přístroj, baterii ani nabíječku do tekutiny

a nedovolte, aby do nich tekutina vnikla. Korodující nebo vodivé kapaliny, jako je slaná voda, určité chemikálie a bělicí prostředky nebo výrobky, které obsahují bělidlo, mohou způsobit zkrat.

TRANSPORT A SKLADOVÁNÍ

- Před přenášením nebo uložením vždy vyjměte baterii a nechte přístroj vychladnout.
- Odstraňte z výrobku všechny cizí materiál. Ukládejte v chladných, suchých a dobře větraných prostorech, které nejsou přístupné dětem. Udržujte produkt mimo korosivní materiály, například zahrádkářské chemikálie a rozmrazovací soli. Výrobek neskladujte venku.
- Při transportu výrobku zajistěte proti pohybum nebo pádu, abyste zabránili poranění osob nebo poškození výrobku.

TRANSPORT LITHIOVÝCH BATERIÍ

Přenos baterií dle místních a národních opatření a předpisů.

Dodržujte všechny zvláštní požadavky na balení a značení při transportu baterií třetí stranou. Zajistěte, aby žádné baterie nepřišly do kontaktu s jinými bateriemi nebo vodivými materiály při transportu pomocí ochrany nekrytých kontaktů prostřednictvím izolace, nevodivých krytek či lepicích pásek. Nepřepravujte prasklé nebo baterie s unikajícím elektrolytem. Ptejte se u zásilkové společnosti na další radu.

ÚDRŽBA

- Používejte pouze originální příslušenství, doplňky a náhradní díly výrobce. Zanedbání může zapříčinit možné poranění, slabý výkon a může dojít ke ztrátě záruky.
- Údržba vyžaduje extrémní péči a znalosti a měla by být prováděna pouze kvalifikovaným servisním technikem. Výrobek nechte opravit pouze v pověřeném servisu.
- Zkontrolujte všechny šrouby, matice v častých intervalech na řádné utažení, aby se zajistilo, že výrobek bude pracovat v bezpečných pracovních podmínkách. Jakýkoliv poškozený díl je nutné

správně opravit nebo nechat vyměnit v autorizovaném servisním středisku.

- Chcete-li vyměnit poškozené nebo nečitelné štítky, předejte zařízení do autorizovaného servisního střediska.
- Můžete provádět v návodu k obsluze uvedené opravy a seřízení. Pro jiné opravy nebo poradenství, požádejte o pomoc autorizované servisní středisko.
- Po každém použití setřete nástroj měkkým a suchým hadříkem.

ODSTRANĚNÍ ZABLOKOVÁNÍ

- Ke snížení rizika úrazu v důsledku styku s pohyblivými díly vždy přístroj vypněte, vyjměte akumulátor a ujistěte se, že se všechny pohyblivé části úplně zastavily.
- Chcete-li zkontrolovat, zda nedošlo k ucpání fukaru, sundejte trubku fukaru. V případě potřeby trubku vyčistěte.
- Před spuštěním výrobku nasadte foukací trubice.

POZNEJTE SVŮJ NÁSTROJ

Viz strana 111.

1. Spoušť (ZAP/VYP)
2. Rukojeť
3. Bateriový konektor
4. Západka
5. Trubice fukaru
6. Uživatelská příručka
7. Baterie
8. Nabíječka

SYMBOLY



Bezpečnostní výstraha



Před používáním výrobku se obeznamte se všemi pokyny. Dbejte na všechna upozornění a dodržujte bezpečnostní pokyny.



Ochrana očí a sluchu.



Nevystavujte dešti nebo nepoužívejte ve vlhkých podmínkách.



Rotující ventilátory. Mějte ruce a nohy mimo otvory, když nástroj běží.



Všechny osoby v okolí, zejména děti a domácí zvířata, udržujte v bezpečné vzdálenosti od provozního prostoru.



Zaručená hladina akustického výkonu

Nelikvidujte vybité baterie a elektrické a elektronické zařízení společně s netříděným komunálním odpadem.

Vybité baterie a elektrický a elektronický odpad musí být shromažďovány odděleně. Vybité baterie, akumulátory a odpadní světelné zdroje musí být od zařízení odděleny. Zjistěte si u místní samosprávy nebo u maloobchodníka, jaké jsou pokyny k recyklaci a kde je sběrné místo. Podle místních nařízení mohou mít maloobchodníci povinnost brát bezplatně zpět vybité baterie, elektrický a elektronický odpad. Když budete přispívat k opětovnému použití a recyklaci vybitých baterií a elektrického a elektronického odpadu, pomůže to snížit potřebu surovin. Vybité baterie, zejména ty s obsahem lithia, elektrický a elektronický odpad obsahují cenné a recyklovatelné materiály, které mohou mít nepříznivý dopad na životní prostředí a lidské zdraví, nebudou-li zlikvidovány ekologickým způsobem. Odstraňte z odpadu osobní údaje, pokud nějaké obsahuje.



HU AZ EREDETI ÚTMUTATÓ FORDÍTÁSA

Az akkumulátoros lombfúvó kialakítása során elsődleges szempont volt a biztonság, a teljesítmény és a megbízhatóság.

RENDELTETÉSSZERŰ HASZNÁLAT

Az akkumulátoros lombfúvót csak kültéren, száraz környezetben, jó megvilágítás mellett használja.

Ezt a terméket nem használhatják gyerekek és korlátozott fizikai, érzékelési vagy mentális képességekkel rendelkező személyek.

A termék könnyű hulladék, például levelek, fű vagy más kerti hulladék elfújására szolgál.

Semmilyen más célra ne használja.

ÁLTALÁNOS BIZTONSÁGI FIGYELMEZTETÉSEK

△ FIGYELMEZTETÉS! Olvassa el az összes biztonsági figyelmeztetést és útmutatást. A figyelmeztetések és utasítások be nem tartása elektromos áramütést, tüzet és/vagy súlyos sérülést eredményezhet. Őrizze meg ezeket a figyelmeztetéseket és utasításokat a későbbi tájékozódásra is.

△ FIGYELMEZTETÉS! Ne hagyja, hogy gyerekek vagy a termék használatát nem ismerő felnőttek használják a terméket. A helyi előírások korlátozhatják a kezelő életkorát.

GYAKORLÁS

- Figyelmesen olvassa el az utasításokat. Legyen tisztában a termék kezelőszerveivel és helyes használatával.
- Jegyezze meg, hogy a kezelő vagy a felhasználó felelős a más embereknek vagy tulajdonuknak okozott veszélyekért vagy balesetekért.
- Ne használja a terméket, ha fáradt, beteg vagy drog, alkohol illetve gyógyszer hatása alatt van.

ELŐKÉSZÜLET

- Egyes régiókban olyan előírások érvényesek, amelyek korlátozzák a termék bizonyos műveletekre való használatát. További információért forduljon a helyi önkormányzathoz.
- A termék használata közben mindig viseljen teljes fülvédőt. A termék zajos, és ha nem tartja be szigorúan a kitétségi

korlátozására és a zajcsökkentésre vonatkozó óvintézkedéseket, az maradandó halláskárosodást okozhat.

- A termék használata közben mindig viseljen teljes szemvédőt. Viseljen teljesálarcot vagy védőszemüveget. A normál szemüveg vagy a napszemüveg nem nyújtanak megfelelő védelmet. Az erőteljes légáramlás bármikor nagy sebességgel röpíthet el tárgyakat, amelyek a kemény felületekről visszapatlanhatnak a kezelő felé.
- A termék működtetése közben mindig megfelelő lábbelit és hosszú nadrágot viseljen. Ne használja a gépet meztelen vagy nyitott szandálban. Kerülje a bő ruhák viseletét, vagy amelyből kábelek vagy madzagok lógnak ki.
- Ne viseljen laza ruházatot vagy ékszereket, amelyek bekerülhetnek a légbemeneti nyílásba. Ha hosszú a haja, azt a vállvonalon felett rögzítse, nehogy beakadjon valamilyen mozgó alkatrészbe.
- Minden használat előtt ellenőrizze, hogy az összes kezelőszerv és biztonsági eszköz megfelelően működik. Ne használja a gépet, ha a főkapcsoló nem állítja le a motort.
- Csak a javasolt pozícióban és stabil, vízszintes felületen működtesse a terméket.
- Ne használja a gépet kavicsos vagy kövezett felületen, ahol a kidobott anyag sérülést okozhat.
- Sérüléseket keresve minden használat előtt vizsgálja át a burkolatot. Ellenőrizze, hogy a védőburkolatok és a fogantyúk a helyükön vannak, megfelelően rögzítve. Az egyensúly megtartása érdekében az elhasználadott vagy sérült alkatrészeket teljes készletben cserélje ki. A sérült vagy olvashatatlan címkéket cserélje ki.
- Soha ne működtesse a gépet, ha emberek - különösen gyerekek - vagy állatok vannak a közelben.
- A hűtőlevegő bemeneteit tartsa lerakódástól mentesen.
- Szétfűjás előtt gereblyével és seprűvel lazítsa fel az avart.
- A használat előtt tisztítsa meg a munkaterületet. Távolítsa el minden tárgyat, úgymint követeket, törött üvegeket, szegeket, drótdarabokat és szálakat,

amelyeket a nagysebességű levegő jelentős távolságra fújhat el.

- Hosszabb használat sérülést okozhat. Ha a gépet hosszú időn át kell használnia, tartson gyakran szünetet.

AKKUMULÁTOROS SZERSZÁMGÉP HASZNÁLATA ÉS KARBANTARTÁSA

- Csak a gyártó által megadott töltővel töltsze az akkumulátorokat. Egy adott akkumulátortípushoz való töltő egy másik típusú akkumulátorral való használata tűzveszélyes lehet.
- A szerszámokat csak a hozzájuk való akkumulátorokkal üzemeltesse. Más akkumulátorok használata tűzveszélyes lehet, és sérüléseket okozhat.
- Az akkumulátort használaton kívül tartsa távol más fém tárgyaktól, úgymint gemkapcsoktól, érméktől, kulcsoktól, szögektől, csavaroktól vagy más kisméretű fém tárgyaktól, amelyek rövidre zárhatják a két érintkezőt. Az akkumulátor érintkezőinek rövidre zárása tüzet vagy égéseket okozhat.
- Nem megfelelő körülmények esetén folyadék távozhat az akkumulátorból, kerülje az azzal való érintkezést. Ha mégis érintkezik vele, öblítse le vízzel. Ha a folyadék szembe kerül, forduljon orvoshoz. Az akkumulátorból kifolyt folyadék irritációt vagy égéseket okozhat.
- Ne használjon sérült vagy átalakított akkucsomagot vagy eszközt. A sérült vagy átalakított akkumulátor előre nem látható módon üzemelhet, ami tüzet, robbanást, más kockázatot vagy sérülést okozhat.
- Ne tegye ki az akkucsomagot vagy az eszközt túl magas hőmérsékleti hatásnak és ne tegye tűzbe ezeket. A tűznek vagy a 130 °C feletti hőmérsékletnek való kitettség robbanást okozhat.
- Tartsa be az összes feltöltési utasítást és ne töltsze az akkucsomagot vagy az eszközt az utasításban megadott hőmérséklet-tartományon kívül. A helytelen töltés vagy a megadott tartományon kívüli hőmérsékleten való feltöltés az akkumulátort károsíthatja, és a tűzveszély kockázatát növelheti.

HASZNÁLAT

- Csak a nappali órákban használja a gépet – ne korán reggel vagy késő este, amikor megzavarhatja mások nyugalmét.

- Soha ne működtesse a terméket robbanásveszélyes környezetben.
- Kerülje a termék használatát rossz időjárási feltételek mellett, különösen villámlás esetén.
- A nézelődőket, gyerekeket és a háziállatokat tartsa 15 m távolságban a munkaterülettől. Állítsa le a terméket, ha bárki belép a területre.
- Ne használja a terméket rossz fényviszonyok között. A kezelőnek tiszta rálátással kell rendelkeznie a munkaterületre, hogy azonosíthassa a potenciális veszélyeket.
- Hasonló gépek egymás közelében történő használata növeli a halláskárosodás veszélyét, valamint annak veszélyét, hogy más személyek lépnek be az Ön munkaterületére.
- Mindig biztosan támaszkodjon meg a lejtőkön. Gyalogoljon, ne fusson.
- Stabílan álljon és vegyen fel megfelelő egyensúlyt. Ne hajoljon ki túlságosan. A túlzott kihajlás egyensúlyvesztést eredményezhet.
- Soha ne működtesse a készüléket hibás védőburkolatokkal vagy védőlemezekkel, illetve biztonsági berendezések nélkül.
- A forgó alkatrészekkel való érintkezés miatti sérülés kockázatának csökkentéséhez mindig állítsa le a terméket és vegye ki az akkucsomagot. Ellenőrizze, hogy minden mozgó rész teljesen megállt:
 - mielőtt magára hagyná a terméket
 - eltömődések eltávolítása előtt
 - ellenőrzés, karbantartás vagy a gépen végzett bármilyen művelet megkezdése előtt
 - a termék átvizsgálása előtt, miután egy idegen tárggyal ütközött
 - ha a gép szokatlanul kezd rezegni (ellenőrizze azonnal)
- Baleset vagy üzemzavar esetén azonnal kapcsolja ki és vegye ki az akkumulátort. Ne használja a készüléket, amíg teljesen ét nem vizsgálták egy hivatalos szervizközpont.
- Semmilyen módon ne módosítsa a gépet vagy használjon a gyártó által nem ajánlott alkatrészeket és tartozékokat.
- Ha a gép leesett, erős ütést kapott vagy rendellenesen kezd vibrálni,

azonnal állítsa le a gépet, és vizsgálja át sérülések tekintetében vagy azonosítsa a vibráció okát. Minden sérülést hivatalos szervizközpontban kell megjavíttatni vagy kicseréltetni.

⚠ **FIGYELMEZTETÉS!** A termék hevederrel érkezik. Pontosan állítsa be a hevedert, hogy kényelmesen segítse a termék súlyának megtámasztását.

Keresse meg a gyorskioldó mechanizmust, és gyakorolja be a használatát, mielőtt elkezdene használni a gépet. A helyes használat megakadályozhatja a súlyos sérüléseket vészhelyzetben. Soha ne vegyen fel további ruházatot a hevederre, és más módon se korlátozza a hozzáférést a gyorskioldó szerkezethez.

LOMBFÚVÓ – BIZTONSÁGI FIGYELMEZTETÉSEK

- Poros körülmények között viseljen arcmaszkot, hogy csökkentse a por beszívásából eredő sérülések veszélyét.
- Poros körülmények között enyhén nedvesítse be a felületet.
- Ne működtesse a gépet nyitott ablak közelében.
- Használja a teljes fúvógépcső-hosszabbítót, hogy a légáram csak közvetlenül a talaj felett jusson ki a csőből és hatékonyan végezze a dolgát.
- Ne irányítsa a fúvógépet közvetlenül emberekre vagy háziállatokra.
- Soha ne tegyen semmilyen tárgyat a fúvócsövek belsejébe.
- A terméket ne tegye laza törmelékre vagy közelébe. A hulladék bekerülhet a légbeömlő nyílásaiba, ami a berendezés súlyos károsodását eredményezheti.

AZ AKKUMULÁTOR KIEGÉSZÍTŐ BIZTONSÁGI FIGYELMEZTETÉSEI

A rövidzárlat általi tűz, sérülések vagy termékkárosodások veszélye elkerülésére ne merítse a szerszámot, a cserélhető akkut vagy a töltőkészüléket folyadékokba, és gondoskodjon arról, hogy ne hatoljanak folyadékok a készülékekbe és az akkukba. A korrozív hatású vagy vezetőképes folyadékok, mint pl. a sós víz, bizonyos vegyi anyagok, fehérítők vagy fehérítő tartalmú termékek, rövidzárlatot okozhatnak.

SZÁLLÍTÁS ÉS TÁROLÁS

- Tárolás vagy szállítás előtt kapcsolja ki a terméket, vegye ki az akkucsomagot és hagyja kihűlni.
- Minden idegen anyagtól tisztítsa meg a terméket. Hűvös, száraz és jól szellőztetett, gyerekektől elzárt helyiségben tárolja. A terméket tartsa távol a korrodáló szerektől, például kerti vegyszerektől vagy a jégmentesítő sótól. Ne tárolja a terméket kültéren.
- Szállításkor rögzítse a terméket elmozdulás és leesés ellen, hogy elkerülje a sérüléseket és a termék sérülését.

LÍTIUM AKKUMULÁTOROK SZÁLLÍTÁSA

Az akkumulátorokat a helyi és nemzeti előírásokkal és szabályokkal összhangban szállítsa.

Az akkumulátorok külső fél általi szállításakor kövesse a csomagolásra és a címkézésre vonatkozó speciális előírásokat. Ügyeljen arra, hogy az akkumulátorok ne érhessenek más akkumulátorokhoz vagy vezető anyagokhoz szállítás közben; ehhez a szabadon maradt csatlakozókat védje szigetelő fedéllel vagy szalaggal. Ne szállítson repedt vagy szivárgó akkumulátorokat. További információért vegye fel a kapcsolatot a továbbítást végző céggel.

KARBANTARTÁS

- Csak a gyártó eredeti cserealkatrészeit, tartozékait és szerelékeit használja. Ennek figyelmen kívül hagyása gyenge motorteljesítményt, esetleges sérülést és a jótállás elvesztését okozhatja.
- Szervizelés különös figyelmet és hozzáértést igényel, és csak szakképzett szerelő végezheti el. A terméket csak engedéllyel rendelkező szervizben javíttassa.
- Gyakori időközönként ellenőrizze a csavaranyák, csavarok és fejescsavarok megfelelő meghúzását, hogy a termék biztonságos üzemi állapotban legyen. A sérült alkatrészeket egy hivatalos szervizközpontban kell megjavíttatni vagy kicseréltetni.
- A sérült vagy olvashatatlan címkék cseréjéhez vigye vissza a terméket egy hivatalos szervizközpontba.

- A használati útmutatóban leírt beállításokat és javításokat Ön is elvégezheti. További javításokért vagy tanácsért kérjen segítséget egy hivatalos szervizközpontban.
- Minden egyes használat után egy puha, száraz ruhával tisztítsa meg a terméket.

ELTÖMÖDÉS MEGSZÜNTETÉSE

- A mozgó alkatrészek megérintése miatt keletkező sérülés kockázatának csökkentésére minden esetben állítsa le a terméket, vegye ki az akkumulátort és győződjön meg arról, hogy minden mozgó alkatrész teljesen megállt.
- A dugulás ellenőrzése érdekében távolítsa el a fúvócsöveket. Ha szükséges, tisztítsa ki a csöveket.
- A termék elindítása előtt a fúvócsöveket szerelje vissza.

ISMERJE MEG A TERMÉKET

Lásd 111. oldal.

1. Be-/kikapcsoló kioldó
2. Fogantyú
3. Akkumulátor-csatlakozó
4. Retesz
5. Fúvógép csöve
6. Használati utasítás
7. Akkumulátor
8. Töltő

SZIMBÓLUMOK



Biztonsági figyelmeztetés



A termék használata előtt olvasson el és értsen meg minden utasítást. Tartsa be az összes figyelmeztetést és biztonsági utasítást.



Viseljen szem- és fülvédőt.



Ne tegye ki esonek, és ne használja nedves környezetben.



Forgó ventilátorok. A termék működése közben a kezeit és a lábát tartsa távol a nyílásoktól.



A közelben tartózkodókat, különös figyelemmel a gyermekekre és háziállatokra, tartsa biztonságos távolságra a munkaterülettől.



Garantált hangteljesítményszint

Az akkumulátorok, valamint az elektromos és elektronikus berendezések hulladékait ne dobja a válogatatlan települési hulladékok közé. Az akkumulátorok, valamint az elektromos és elektronikus berendezések hulladékait elkülönítve gyűjtse. A hulladékká vált elemeket, akkumulátorokat és fényforrásokat vegye ki a berendezésből.

Lépjén kapcsolatba a helyi hatósággal vagy kereskedővel az újrahasznosításra vonatkozó útmutatásért és a gyűjtőállomásokkal kapcsolatban információkért. A helyi szabályozások szerint a kereskedők kötelesek lehetnek ingyen visszavenni az akkumulátorok, illetve az elektromos és elektronikus berendezések hulladékait. A hozzájárulása az akkumulátorok, illetve az elektromos és elektronikus berendezések hulladékainak újrafelhasználásához és újrafeldolgozásához segít csökkenteni a nyersanyagok iránti keresletet. Különösen a lítiumot tartalmazó akkumulátorok, illetve az elektromos és elektronikus berendezések hulladékai értékes és újrafeldolgozható anyagokat tartalmaznak, amelyek káros hatással lehetnek a környezetre és az emberi egészségre, ha nem környezetbarát módon kezelik őket. A hulladékká vált berendezésből szükség esetén törölje a személyes adatokat.



RO TRADUCEREA INSTRUCȚIUNILOR ORIGINALE

Siguranța, performanța și fiabilitatea au constituit principalele noastre preocupări la proiectarea suflantei dvs. fără fir.

UTILIZARE PREVĂZUTĂ

Suflanta fără fir este concepută numai pentru utilizare în spații deschise, uscate și în condiții de iluminare bună.

Produsul nu este destinat a fi folosit de către copii sau persoane cu capacități fizice, mintale sau senzoriale reduse.

Produsul este proiectat să sufle resturile ușoare precum frunzele, iarba și alte resturi din grădină.

Nu folosiți în alte scopuri.

AVERTISMENTE GENERALE PRIVIND SIGURANȚA

⚠️ AVERTISMENT! Citiți toate avertismentele și instrucțiunile de siguranță. Nerespectarea acestor avertismente și instrucțiuni poate conduce la șocuri electrice, incendii și/sau accidente grave. Păstrați aceste avertismente și instrucțiuni, pentru a le putea consulta ulterior.

⚠️ AVERTISMENT! Nu lăsați niciodată copiii sau persoanele nefamiliarizate cu aceste instrucțiuni să folosească produsul. Reglementările locale pot restricționa vârsta operatorului.

INSTRUIRE

- Citiți instrucțiunile cu atenție. Familiarizați-vă cu comenzile și folosirea corectă a produsului.
- Rețineți că operatorul sau utilizatorul este responsabil pentru accidentele sau pericolele ce pot avea loc asupra altor persoane sau proprietății lor.
- Nu utilizați produsul dacă sunteți obosit, bolnav sau sub influența drogurilor, alcoolului sau medicamentelor.

PREGĂTIRE

- Unele regiuni au reglementări care restricționează utilizarea produsului la unele operațiuni. Pentru sfaturi întrebați autoritățile dvs. locale.
- Purtați protecție completa pentru auz tot timpul când operați acest produs. Produsul

este zgomotos și poate cauza pierdere permanentă de auz, dacă nu se iau măsuri stricte de limitare a expunerii dvs. și de reducere a nivelului de zgomot, care să fie strict respectate.

- Purtați protecție completă pentru ochi tot timpul când operați acest produs. Purtați o mască de față cu acoperire totală sau ochelari de protecție cu închidere etanșă. Ochelarii normali sau cei de soare nu reprezintă o protecție corespunzătoare. Obiectele pot fi aruncate cu o viteză mare de către jetul puternic de aer în orice moment și pot să ricoșeze din suprafețele tari înspre operator.
- În timpul operării produsului purtați întotdeauna încălțăminte rezistentă și pantaloni lungi. Nu operați mașina când sunteți desculți sau purtați sandale deschise. Evitați să purtați de îmbrăcăminte largă sau care are cordoane sau șireturi libere.
- Nu purtați haine largi sau bijuterii ce pot fi atrase de admisia de aer. Prindeți părul lung deasupra umerilor pentru a preveni prinderea lui de părțile în mișcare.
- Asigurați-vă că înainte de fiecare folosire toate funcțiile de control și dispozitivele de siguranță funcționează corect. Nu folosiți produsul dacă întrerupătorul "oprit" nu oprește produsul.
- Operați produsul în poziția recomandată și doar pe o suprafață fermă și dreaptă.
- Nu folosiți mașina pe o suprafață pavată sau acoperită cu pietriș, unde materialul evacuat ar putea cauza vătămarea corporală.
- Înainte de fiecare folosire, inspectați întotdeauna carcasa de defecte. Asigurați-vă că apărătorii și mânerul sunt la locul lor și sunt strânse corespunzător. Înlocuiți componentele uzate sau deteriorate în seturi pentru a menține echilibrul. Înlocuiți etichetele deteriorate sau ilizibile.
- Nu utilizați niciodată mașina în timp ce în apropiere se află persoane, în special copii sau animale de companie.
- Țineți toate orificiile de intrare a aerului de răcire departe de moloz.
- Utilizați o greblă sau o mătură pentru a decompacta reziduurile înainte de a utiliza suflanta.
- Eliberați zona de lucru înainte de fiecare utilizare. Îndepărtați toate obiectele precum

pietre, sticlă spartă, cuie, fire electrice sau fire ce pot fi aruncate la o distanță considerabilă de către aerul cu viteză mare.

- Pot fi cauzate sau agravate vătămările de la folosirea prelungită a aparatului. Atunci când folosiți o sculă pentru perioade prelungite, asigurați-vă că luați pauze regulate.

FOLOSIREA ȘI ÎNTREȚINEREA MAȘINII CU ACUMULATOR

- Reîncărcați numai cu încărcătorul specificat de producător. Un încărcător destinat unui anumit tip de acumulator este folosit la încărcarea altor acumulatori există pericolul de incendii.
- Folosiți uneltele electrice numai cu acumulatorii indicați. Utilizarea oricăror alți acumulatori poate crea un risc de vătămare și de incendiu.
- Atunci când acumulatorul nu este în uz, păstrați-l departe de alte obiecte metalice, cum ar fi agrafe de birou, monede, chei, cuie, șuruburi sau alte obiecte metalice mici, care pot face o conexiune de la o bornă la alta. Scurtcircuitarea bornelor bateriei poate provoca arsuri sau incendii.
- Ca urmare a folosirii necorespunzătoare, din acumulator se poate scurge lichid; evitați contactul cu acesta. În cazul unui contact accidental, spălați cu apă. În cazul contactului cu ochii, consultați suplimentar un medicul. Lichidul care iese din acumulator poate provoca iritații sau arsuri.
- Nu utilizați acumulatori sau unelte deteriorate sau modificate. Acumulatorii deteriorați sau modificați au un comportament imprevizibil și prezintă pericol de incendiu, explozie sau accidentare.
- Nu expuneți acumulatorii sau uneltele la foc sau temperaturi excesive. Expunerea la foc sau temperaturi peste 130 °C prezintă pericol de explozie.
- Respectați toate instrucțiunile de încărcare și nu încărcați acumulatorul sau unealta la temperaturi din afara intervalului specificat în instrucțiuni. Încărcarea necorespunzătoare sau la o temperatură din afara intervalului specificat poate deteriora acumulatorul și crește riscul de incendiu.

UTILIZARE

- Operați mașina doar la ore rezonabile - nu dimineața devreme sau seara târziu când lumea ar putea fi deranjată.

- Nu operați niciodată produsul într-un mediu exploziv.
- Evitați folosirea produsului în condiții de vreme rea în special când există risc de fulgere.
- Țineți trecătorii, copiii și animalele de companie la 15 metri depărtare de zona de operare. Opriti produsul dacă cineva intră în zonă.
- Nu utilizați produsul în condiții de iluminare slabă. Operatorul necesită o panoramă clară a zonei de lucru pentru identificarea potențialelor pericole.
- Operarea de aparate similare în vecinătate crește atât riscul unei deteriorări a auzului cât și posibilitatea ca alte persoane să intre în zona dvs. de lucru.
- Trebuie să stați întotdeauna într-o poziție stabilă pe pante. Mergeți. Nu alergați niciodată.
- Mențineți sprijin ferm pe picioare și echilibru. Nu vă aplecați excesiv. Aplecarea excesivă poate cauza pierderea echilibrului.
- Nu folosiți niciodată aparatul cu apărători sau protecții defecte sau fără dispozitive de siguranță montate.
- Pentru a reduce riscul de accidentare în urma contactului cu piesele în mișcare, opriti întotdeauna echipamentul atunci când nu îl utilizați și deconectați acumulatorul. Asigurați-vă că toate piesele mobile s-au oprit complet:
 - înainte de a lăsa produsul nesupravegheat
 - înainte de a îndepărta un obiect ce determină blocaje
 - înainte de a verifica, curăța sau lucra asupra produsului
 - înainte de a inspecta echipamentul după ce acesta se lovește de un corp străin
 - dacă produsul începe să vibreze anormal (verificați imediat)
- Opriti imediat mașina și îndepărtați acumulatorul în caz de accident sau defecțiune. Nu utilizați din nou produsul înainte de a realiza o verificare completă, la un centru de service autorizat.
- Nu modificați mașina în niciun fel sau să folosiți părți și accesorii ce nu sunt recomandate de către producător.
- Dacă produsul este scăpat, suferă un impact dur sau începe să vibreze anormal,

opriți imediat produsul și inspectați dacă este deteriorat sau identificați cauza vibrației. Orice deteriorare trebuie reparată corespunzător sau înlocuită la un centru service autorizat.

⚠ **AVERTISMENT!** Produsul poate fi furnizat cu o curea de prindere. Reglați cu atenție hamul pentru a vă ajuta confortabil să susțineți greutatea produsului.

Identificați mecanismul de eliberare rapidă și faceți câteva probe înainte de a folosi aparatul. Folosirea corespunzătoare poate preveni vătămarea gravă în cazul unei urgențe. Nu purtați niciodată îmbrăcăminte suplimentară peste harnașament deoarece acest lucru va împiedica accesul la mecanismul de deschidere rapidă.

AVERTISMENTE DE SIGURANȚĂ PRIVIND SUFLANTA

- În condiții de prezență a prafului, purtați o mască facială prevăzută cu filtru pentru a reduce riscurile asociate cu inhalarea prafului.
- Umeziți ușor suprafețele în condiții de praf.
- Nu folosiți mașina lângă ferestrele deschise.
- Folosiți prelungirea duzei de suflare a aerului în așa fel încât jetul de aer să ajungă aproape de sol și să funcționeze eficient.
- Nu direcționați duza suflantei către persoane sau animale.
- Nu așezați niciodată obiecte în interiorul furtunelor aparatului de suflat.
- Nu așezați produsul pe grămezi de reziduuri sau lângă acestea. Resturile ar putea fi aspirate în orificiul de admisie rezultând în posibila deteriorare a aparatului.

AVERTISMENTE SUPLIMENTARE PRIVIND SIGURANȚA LA UTILIZAREA BATERIILOR

Pentru a reduce riscurile de incendiu, accidentare și deteriorare a produsului în urma unui scurtcircuit, nu scufundați niciodată produsul, acumulatorul sau încărcătorul în lichide și nici nu permiteți pătrunderea lichidelor în interiorul acestora. Lichidele corosive sau cu conductibilitate, precum apa sărată, anumite substanțe chimice și înălbitori sau produse ce conțin înălbitori, pot provoca un scurtcircuit.

TRANSPORTAREA ȘI DEPOZITAREA

- Opriți echipamentul, scoateți acumulatorul și lăsați să se răcească atât echipamentul cât și acumulatorul înainte de transport sau depozitare.
- Curățați toate materialele străine din produs. Depozitați-l într-un loc răcoros, uscat și bine aerisit ce este inaccesibil copiilor. Păstrați produsul la distanță de agenți corozivi, precum substanțe chimice de grădină și săruri de dezghețare. Nu depozitați produsul în aer liber.
- Pentru transportare, fixați produsul împotriva mișcării sau căderii pentru a preveni vătămarea persoanelor sau deteriorarea produsului.

TRANSPORTAREA BATERIILOR DE LITIU

Transportați bateriile în conformitate cu prevederile și reglementările locale și naționale.

Urmați toate cerințele speciale privind împachetarea și etichetarea atunci când transportați baterii către un terț. Asigurați-vă că nicio baterie nu poate să intre în contact cu alte baterii sau materiale conductive în timpul transportului prin protejarea conectorilor expuși cu bandă, capace izolatoare neconductive. Nu transportați bateriile ce sunt crăpate sau care au scurgeri. Verificați cu firma transportatoare pentru recomandări ulterioare.

ÎNȚREȚINERE

- Folosiți doar piese de schimb, accesorii și atasamente originale ale producătorului. Neurmarea acestora poate cauza posibilă vătămare, slaba funcționare și ar putea anula garanția.
- Service-ul necesită atenție și cunoștințe deosebite și trebuie îndeplinit doar de către un tehnician service calificat. Duceți produsul la reparații numai într-un centru service autorizat.
- Verificați toate piulițele, suruburile la intervale frecvente de timp ca să fie corespunzător strânse pentru a vă asigura că produsul este în stare de lucru în siguranță. Orice piesă deteriorată trebuie să fie reparată în mod corespunzător sau înlocuită de un service autorizat.

- Duceți produsul la un centru service autorizat pentru a înlocui etichetele deteriorate sau ilizibile.
- Puteți face reglaje și reparații descrise în acest manual de instrucțiuni. Pentru alte reparații sau sfaturi, căutați asistență din partea unui centru service autorizat.
- După fiecare folosire curățați produsul cu o cârpă moale și uscată.



Păstrați o distanță de siguranță între trecători, în special față de copii, animale și zona de lucru.



Nivel garantat al puterii acustice

ELIBERAREA UNEI BLOCĂRI

- Pentru a reduce riscul de rănire datorat contactului cu piesele în mișcare, întotdeauna opriți produsul, scoateți acumulatorul și asigurați-vă că toate piesele în mișcare s-au oprit complet.
- Demontați tuburile pentru a căuta blocajul. Desfundați furtunele dacă e necesar.
- Remontați tuburile suflantei înainte de a porni produsul.

CUNOAȘTEȚI-VĂ PRODUSUL

Vezi pagina 111.

1. Trăgaci pornire/oprire
2. Mâner
3. Conexiune la baterie
4. Element de blocare
5. Tub de suflat
6. Manualul operatorului
7. Acumulator
8. Încărcător

SIMBOLURI



Avertizare de siguranță



Citiți și înțelegeți toate instrucțiunile înainte de a utiliza produsul. Respectați toate avertismentele și instrucțiunile de siguranță.



Purtați protecție pentru ochi și urechi.



Nu expuneți produsul la ploaie sau umezeală.



A nu se arunca deșeurile de echipamente electronice și electrice și bateriile epuizate la gunoiul menajer. Deșeurile formate din echipamente electrice și electronice și bateriile epuizate trebuie colectate separat. Sursele de iluminare, bateriile și acumulatorii epuizați trebuie scoase din aceste echipamente. Solicitați consiliere de la autoritatea dvs. locală sau de la comerciantul de unde ați achiziționat aspiratorul, în privința punctului de colectare. Conform reglementărilor naționale, vânzătorii cu amănuntul au obligația de a colecta bateriile epuizate, deșeurile de echipament electric și electronic, gratuit. Contribuția dvs. la reciclarea și reutilizarea bateriilor, a echipamentelor electrice și electronice ajută la reducerea cererii de materii prime. Bateriile epuizate, în special cele cu litiu, deșeurile formate din echipamente electrice și electronice conțin materiale reciclabile valoroase, care pot avea o influență negativă asupra mediului înconjurător și asupra sănătății umane, dacă nu sunt eliminate într-o manieră ecologică. Ștergeți datele personale din echipamentul deșeu, dacă este cazul.



Ventilatoare în rotire. Țineți mâinile și picioarele în afara deschizăturilor cât timp produsul este în funcțiune.

Radot jūsu akumulatoru pūtēju, drošībai, veiktspējai un uzticamībai ir pievērsta vislielākā vērība.

PAREDZĒTAIS LIETOJUMS

Akumulatoru putejs ir paredzēts izmantošanai tikai arpus telpām, sauos apstākļos pie laba apgaismojuma.

Ierīce nav paredzēta bērniem vai cilvēkiem ar samazinātām fiziskām, garīgām spējām vai maņu kustību traucējumiem.

Ierīce ir paredzēta, lai pūstu vieglus priekšmetus, piemēram, lapas, zāli un citus dārza atkritumus.

Nelietojiet citiem mērķiem.

VISPĀRĪGIE DROŠĪBAS BRĪDINĀJUMI

⚠ **BRĪDINĀJUMS!** Izlasiet visus drošības brīdinājumus un norādījumus. Brīdinājumu un norādījumu neizpildīšana var izraisīt elektrisko triecienu, aizdegšanos un/vai smagu ievainojumu. Brīdinājumus un instrukcijas saglabājiet turpmākai uzziņai.

⚠ **BRĪDINĀJUMS!** Nekad neļaujiet bērniem vai personām, kas nav iepazinušās ar instrukcijām, izmantot precī. Vietējie noteikumi var ierobežot lietotāja vecumu.

APMĀCĪBA

- Uzmanīgi izlasiet norādījumus. Iepazīstieties ar ierīces vadīšanu un pareizu lietošanu.
- Turēkite omenyje, kad operatorius arba vartotojas yra atsakingas už nelaimingus atsitikimus arba kitiems asmenims ar jų turtui sukeltą pavojų.
- Neizmantojiet produktu, ja esat noguris, slims vai narkotiku, alkohola vai medikamentu ietekmē.

SAGATAVOŠANA

- Dažos reģionos pastāv noteikumi, kas ierobežo darbības, kurām produkts ir izmantojams. Vērsieties pie atbildīgajām amatpersonām pēc padoma.

- Ierīces izmantošanas laika, vienmēr lietojiet ausu aizsargu. Produkts ir trokšņains un stingra drošības pasākumu neievērošana, lai ierobežotu ietekmi un samazinātu troksni, var radīt paliekošos dzirdes bojājumus.
- Ierīces izmantošanas laikā, vienmēr lietojiet pilnu acu aizsargu. Nēsājiet pilnu sejas masku vai pilnīgi noslēdzošas brilles. Parastās brilles vai saulesbrilles nevar tikt izmantotas aizsardzībai. Jebkurā brīdī gaisa strūkļas var izraisīt priekšmetu lidošanu lielā ātrumā, kā rezultātā tie var atlēkt no cietas virsmas un trāpīt strādniekam.
- Izmantojot ierīci, vienmēr lietojiet atbilstošus apavus un garās bikses. Nestrādājiet ar iekārtu, ja jums ir basas kājas vai vaļējas sandales. Nevelciet vaļīgu apģērbu vai apģērbu ar auklām un lentēm.
- Nevelciet brīvu apģērbu vai juvelierizstrādājumus, kas var tikt ierauti gaisa ieejā. Nostipriniet garus matus tā, lai tie ir virs plecu līmeņa, lai novērstu sapītšanos kustīgajās daļās.
- Pirms katras lietošanas reizes pārliecinieties, ka visas kontroles un drošības sistēmas ir darba kārtībā. Neizmantojiet ierīci, ja izslēgšanas slēdzis neapstādina motoru.
- Izmantojiet iekārtu norādītajā stāvoklī un tikai uz stabilas, līdzenas virsmas.
- Nelietojiet ierīci uz bruģētām vai grantētām virsmām, kur lidojoši priekšmeti var radīt ievainojumus.
- Pirms katras lietošanas reizes pārbaudiet, vai korpusam nav bojājumu. Pārliecinieties, ka aizsargi un rokturi ir vietā un pareizi nostiprināti. Nomainiet nodilušus vai bojātus elementus kā komplektu, lai saglabātu līdzsvaru. Nomainiet bojātas vai nesalasāmas uzlīmes.
- Nekad nelietojiet iekārtu, kamēr tuvumā atrodas cilvēki, it īpaši bērni, vai dzīvnieki.
- Dzesēšanas gaisa ieejas atveres nedrīkst būt aizsērējušas.
- Izmantojiet grābekļus un slotas dražu atbrīvošanai pirms pūtēja izmantošanas.

- Pirms katras izmantošanas attīriet darba zonu. No darba zonas aizvāciet tādus priekšmetus kā akmeņus, stikla lauskas, naglas, vadus, vai auklas, un citus priekšmetus, kas saskarsmē ar liela ātruma gaisa plūsmu var tikt tālu aizpūsti.
- Ilgstoša preces lietošana var radīt ievainojumus vai pasliktināt jau esošos. Ilgstoši lietojot jebkuru instrumentu, pārliecinieties, ka tiek veikti regulāri pārtraukumi.

AR AKUMULATORU DARBINĀMU IERĪČU LIETOŠANA UN KOPŠANA

- Uzlādējiet tikai ar ražotāja noteikto lādētāju. Lādētājs, kas paredzēts lietošanai ar viena veida akumulatoru, var būt ugunsnedrošs, ja to izmanto ar citu akumulatoru.
- Lietojiet elektriskos instrumentus tikai ar konkrētajai ierīcei paredzēto akumulatoru. Jebkura cita akumulatora lietošana var radīt ievainojumu un ugunsgrēka risku.
- Kad nelietojat akumulatoru, neturiet to citu metāla priekšmetu tuvumā, piemēram: papīra saspaušanas, monētas, atslēgas, naglas, skrūves vai citi sīki metāla priekšmeti, kas var veidot savienojumu starp spailēm. Akumulatora spaiļu īsslēgums var radīt aizdegšanos vai ugunsgrēku.
- Nepareizas rīcības gadījumā no akumulatora var izkļūt šķidrums; izvairieties no saskares ar to. Nejaušas saskares gadījumā skalojiet skarto vietu ar ūdeni. Ja šķidrums iekļūst acīs, nekavējoties meklējiet medicīnisko palīdzību. No akumulatora izkļuvušais šķidrums var izraisīt kairinājumu vai apdegumus.
- Neizmantojiet akumulatoru bloku, kas ir bojāts vai pārveidots. Bojāts vai pārveidots akumulatoru bloks var izraisīt neparedzamu darbību, kas var izraisīt uzliesmošanu, sprādzienu vai ievainojumu risku.
- Nepakļaujiet akumulatoru bloku vai instrumentu liesmu vai paaugstinātas temperatūras iedarbībai. Pakļaujot liesmām vai paaugstinātai temperatūrai virs 130 °C var izraisīt sprādzienu.

- Ievērojiet visas lādēšanas instrukcijas un nelādējiet akumulatoru bloku vai instrumentu, ja temperatūra ir ārpus diapazona, kas norādīts instrukcijās. Nepareiza lādēšana vai lādēšana temperatūrā, kas ir ārpus norādītā diapazona, var izraisīt akumulatora bojājumus un palielināt uzliesmošanas risku.

EKSPLUATĀCIJA

- Lietojiet ierīci saprātīgās dienas daļās – nelietojiet to agri no rīta vai vēlā naktī, kad jūs varat traucēt citiem cilvēkiem.
- Nelietojiet ierīci apstākļos, kur tā var uzsprāgt.
- Nelietojiet ierīci sliktos laika apstākļos, it īpaši, kad pastāv zibens riski.
- Pārliecinieties, ka tuvumā stāvošie bērni un dzīvnieki ir 15 m attālumā no jūsu darbošanās vietas. Ja kāds ienāk zonā, apturiet precī.
- Nelietojiet produktu vāja apgaismojuma apstākļos. Lietotājam jābūt pilnai redzamībai pār darba zonu, lai spētu identificēt iespējamus draudus.
- Līdzīgas ierīces izmantošana tuvumā palielina gan risku sabojāt dzirdi, gan iespēju, ka otrs cilvēks ieies jūsu darba zonā.
- Slīpumā kājas vienmēr turiet stabilā pozīcijā. Ejiet, nekādā gadījumā neskrieniet.
- Pārliecinieties par stingru pamatu zem kājām un ķermeņa līdzsvaru. Nepersitempkite. Pārmērīga pastiepanās var izraisīt līdzsvara zaudēšanu.
- Nekad nelietojiet ierīci, ja ir bojāti aizsargi vai pārsegi vai arī drošības ierīces neatrodas vietā.
- Lai samazinātu tādu ievainojumu risku, kas saistīti ar saskarsmi ar rotējošām daļām, vienmēr izslēdziet produktu un noņemiet akumulatoru bloku. Pārliecinieties, ka visas kustīgās daļas ir pilnīgi apstājušās:
 - pirms atstāt izstrādājumu bez uzraudzības
 - pirms nosprostoju tīrīšanas

- pirms iekārtas pārbaudes, tīrīšanas vai labošanas
- pirms produkta pārbaudes pēc atsitienu pret svešķermeni
- ja iekārta sāk neparasti vibrēt (pārbaudiet nekavējoties)
- Negadījumu vai saplīšanas gadījumā nekavējoties izslēdziet un noņemiet akumulatora bloku. Neizmantojiet izstrādājumu līdz tas nav pilnībā pārbaudīts pilnvarotā servisa centrā.
- Nepārveidojiet ierīci un nelietojiet detaļas un aksesuārus, kurus nav ieteicies ražotājs.
- Ja ierīce tiek nomesta, tā ir saskārusies ar smagu triecienu vai tā sāk nevaldāmi vibrēt, nekavējoties izslēdziet ierīci un centieties atrast bojājumu vai arī cēloni šādai vibrācijai. Jebkada tehniska apkope ir javeic tikai autorizētos tehniskas apkopes centros.

△ **BRĪDINĀJUMS!** Produkta komplektācijā var būt uzkaibe. Uzmanīgi uzstādiet drošības jostas, lai palīdzētu ērti atbalstīt ierīces svaru.

Identificējiet ātrās atbrīvošanas mehānismu un iemācieties to lietot pirms jūs esat sācis lietot šo ierīci. Šī mehānisma pareiza izmantošana var pasargāt jūs no ievainojumiem ārkārtas gadījumos. Nekad nevalkājiat papildus apģērbu virs uzkaibes, citādi Jūs ierobežosiet piekļuvi ātrās atbrīvošanas mehānismam.

AR PŪTĒJA DROŠĪBU SAISTĪTI BRĪDINĀJUMI

- Putekļainos apstākļos valkājiat sejas filtra masku, lai mazinātu traumu riskus saistībā ar putekļu ieelpošanu.
- Putekļainos apstākļos viegli samitriniet virsmas.
- Nedarbiniet mašīnu atvērtu logu tuvumā.
- Izmantojiet visu pūtēja sprauslas pagarinājumu, lai gaisa plūsma var darboties tuvu pie zemes un strādāt efektīvi.
- Nevērsiet pūtēja sprauslu cilvēku vai dzīvnieku virzienā.
- Nekādā gadījumā nelieciet priekšmetus pūtēja caurulēs.

- Nenovietojiet izstrādājumu uz dražu kaudzes vai tās tuvumā. Tie var tikt iesūkti gaisa padevē un sabojāt ierīci.

PAPILDU AKUMULATORU BLOKA DROŠĪBAS BRĪDINĀJUMI

Lai samazinātu aizdegšanās, ievainojumu un produkta bojājumu risku, kas radies Īssavienojuma rezultātā, nekad neiemērciet produktu, akumulatoru bloku vai lādētāju šķidrumā vai nepieļaujiet šķidruma ieplūšanu tajos. Koroziju izraisoši vai vadītspējīgi šķidrumi, piemēram, sālsūdens, noteiktas ķīmikālijas, balinātāji vai produkti, kas satur balinātājus, var izraisīt Īssavienojumu.

TRANSPORTĒŠANA UN UZGLABĀŠANA

- Pirms produkta novietošanas glabāšanai vai transportēšanas, izslēdziet to, noņemiet akumulatoru bloku un ļaujiet tam atdzist.
- Notīriet visus svešķermeņus no izstrādājuma. Uzglabājiet to vēsā, sausā un ļabi vēdinātā vietā, kurai nevar piekļūt bērni. Sargiet izstrādājumu no korozīvām vielām, piemēram, dārza ķīmikālijām un pretapledošanas sāls. Neglabājiet produktu ārpus telpām.
- Transportējot nostipriniet ierīci, lai tā nekustētos un neapgāztos, jo tas var izraisīt miesas bojājumus un ierīces bojājumus.

LITĪJA BATERIJU TRANSPORTĒŠANA

Transportējiet baterijas saskaņā ar vietējiem un valsts noteikumiem un regulām.

Ievērojiet visas īpašās prasības saistībā ar iepakojumu un marķēšanu, transportējot trešās puses baterijas. Nodrošiniet, ka baterijas transportā nevar nonākt saskarē ar citām baterijām vai vadītspējīgiem materiāliem, aizsargājot atklātos savienotājus ar nevadošiem izolācijas vāciņiem vai lentēm. Netransportējiet ieplaisājušas baterijas vai baterijas, kurām ir noplūde. Lūdziet padomu kravu pārvadāšanas uzņēmumam.

APKOPE

- Lietojiet tikai oriģinālās ražotāja rezerves daļas, piederumus un uzgaļus. Pretējā gadījumā var tikt radīti ievainojumi un parādīts slikts sniegums, kā arī var tikt anulēta garantija.

- Aptarnavimą atlikti būtina itin atidžiai, todėl rekomenduojame, kad techninę apžiūrą vykdytų kvalifikuotas specialistas. Veiciet apkalpošanu tikai pilnvarotā servisa centrā.
- Regulāri pārbaudiet visus uzgriežņus, stiprinājumus un skrūves, lai pārliecinātos, ka tās ir cieši pievilktas un izstrādājums ir drošā darba stāvoklī. Jebkura bojāta detaļa jānodod remontam vai nomainītai pilnvarotā apkopes centrā.
- Nesiet precī uz pilnvarotu pakalpojumu centru, lai nomainītu bojātos vai nesalasāmās uzlīmes.
- Daudzus šajā lietotāja rokasgrāmatā aprakstītos regulēšanas un remontdarbus varat veikt pats. Cita veida remontam vai konsultācijām, vērsieties pēc padoma autorizētā servisa centrā.
- Pēc katras lietošanas reizes notīriet precī ar mīkstu, sausu drāniņu.



Lietojiet acu un ausu aizsargus.



Nepaklujiet lietum vai mitriem apstākļiem.



Rotējoši ventilatori. Kamēr ierīce darbojas, turiet rokas un kājas prom no spraugām.



Visiem klātesošajiem, īpaši bērniem un mājdzīvniekiem, ir jāatrodas drošā attālumā no darba zonas.



Garantētais skaņas intensitātes līmenis

AIZSPROSTOJUMU ATTĪRĪŠANA

- Lai samazinātu saskarsmes ar kustīgajām daļām radīto ievainojumu risku, vienmēr izslēdziet produktu, noņemiet akumulatoru bloku un pārliecinieties, ka visas kustīgās daļas ir pilnīgi apstājušās.
- Noņemiet pūtēja caurules, lai pārbaudītu nosprostojumus. Ja nepieciešams attīriet caurules.
- Pirms iedarbināt izstrādājumu, uzstādiet atpakaļ pūtēja caurules.

PAZĪSTIET SAVU IERĪCI

Skatīt 111. lappusi.

1. Iesl./izsl. sprūds
2. Rokturis
3. Akumulatora savienojuma ligzda
4. Fiksators
5. Pūšanas caurule
6. Lietotāja rokasgrāmata
7. Akumulators
8. Lādētājs

APZĪMĒJUMI



Drošības brīdinājums



Izlasiet un izprotiet visas norādes pirms produkta lietošanas. Ievērojiet visus brīdinājumus un drošības norādes.

Neizmetiet akumulatoru atkritumus kā nešķirotus sadzīves atkritumus. Akumulatoru atkritumi, elektrisko un elektronisko iekārtu atkritumi jāsavāc atsevišķi.

Bateriju, akumulatoru un gaismas avotu atkritumi ir jāizņem no iekārtām. Sazinieties ar vietējo pašvaldību vai mazumtirgotāju, lai saņemtu ieteikumus pārstrādei un savākšanas punktus. Saskaņā ar vietējiem noteikumiem mazumtirgotājiem var būt pienākums bez maksas pieņemt atpakaļ akumulatoru, elektrisko un elektronisko iekārtu atkritumus. Jūsu ieguldījums elektrisko un elektronisko iekārtu atkritumu otrreizējā izmantošanā un otrreizējā pārstrādē palīdz samazināt izejvielu pieprasījumu. Akumulatoru atkritumi, it īpaši tie, kas satur litiju, un elektrisko un elektronisko iekārtu atkritumi satur vērtīgus un pārstrādājamus materiālus, kas var nelabvēlīgi ietekmēt vidi un cilvēku veselību, ja tos neapglabā videi draudzīgā veidā. Izdzēsiet no atkritumos nododamajām iekārtām personīgos datus, ja tādi tur ir.



Kuriant šį akumuliatorinį pūstuvą didžiausias dėmesys buvo skiriamas saugumui, našumui ir patikimumui.

NAUDOJIMO PASKIRTIS

Šis akumuliatorinis pūstuvus skirtas naudoti tik lauke, sausomis ir pakankamo apšvietimo sąlygomis.

Šis įrenginys neskirtas naudoti vaikams arba asmenims, turintiems fizinių, jutiminių ar psichinių sutrikimų.

Prietaisas skirtas nupūsti lengvas sąnašas, įskaitant lapus, žolę ir kitas sodininkystės šiukšles.

Nenaudokite kitais tikslais.

BENDRIEJI SAUGOS ĮSPĖJIMAI

⚠ ĮSPĖJIMAS! Perskaitykite visus saugos įspėjimus ir visą instrukciją. Įspėjimų ir instrukcijų nesilaikymas gali sukelti elektros smūgį, gaisrą ir (ar) rimtus sužeidimus. Saugokite šiuos įspėjimus ir nurodymus, kad galėtumėte vadovautis jais vėliau.

⚠ ĮSPĖJIMAS! Šio gaminio jokių būdų negalima leisti naudoti vaikams ar asmenims, nesupažinusiems su šiomis instrukcijomis. Vietos įstatymai gali apriboti įrengimo operatoriaus amžių.

APMOKYMAS

- Atidžiai perskaitykite instrukcijas. Susipažinkite su valdikliais ir išnagrinėkite, kaip tinkamai naudotis įrenginiu.
- Turėkite omenyje, kad operatorius arba vartotojas yra atsakingas už nelaimingus atsitikimus arba kitiems asmenims ar jų turtui sukeltą pavojų.
- Nesinaudokite įrankiu būdami pavargę, apsvaigę nuo narkotinių medžiagų, alkoholio arba vaistų.

PARUOŠIMAS

- Kai kuriuose regionuose šio gaminio naudojimą tam tikriems darbams apriboja galiojantys įstatymai. Kreipkitės patarimo į vietos įstaigą.
- Naudodamiesi įrenginiu, visada dėvėkite ausų apsaugos priemones. Įrenginys veikia

triukšmingai ir gali negražinamai pažeisti klausą, jei nebus imtasi ir griežtai laikomasi atsargumo priemonių dėl triukšmo poveikio trukmės ribojimo ir triukšmo lygio mažinimo.

- Naudodamiesi įrenginiu, visada dėvėkite visiškos akių apsaugos priemones. Dėvėkite visą veidą dengiančią kaukę arba visiškai uždarus darbo akinius. Įprasti ar saulės akiniai nėra tinkama apsaugos priemonė. Galingas oro srautas bet kada gali išstūsti objektus dideliu greičiu ir jie gali atšokę rikošetu sužeisti operatorių.
- Naudodami įrenginį visada dėvėkite tvirtą avalynę ir dėvėkite ilgas kelnes. Nedirbkite su šiuo prietaisu neapsiaavę arba dėdami atvirus sandalus. Nedėvėkite laisvų drabužių arba drabužių su kabančiais raišteliais arba virvelėmis.
- Nedėvėkite dukšlių drabužių ar papuošalų, kurie gali būti įtraukti į oro įleidimo angą. Ilgus plaukus reikia susegti virš pečių lygio, kad neįsipainiotų į judančias dalis.
- Prieš kiekvieną naudojimą patikrinkite, ar tinkamai veikia visi valdikliai ir saugos įtaisai. Nesinaudokite įrenginiu, jei jo neįmanoma išjungti išjungimo jungikliu.
- Gaminį reikia naudoti pastatyta į rekomenduojamą padėtį ir tik ant tvirto, lygaus paviršiaus.
- Prietaiso nenaudokite ant grįstos ar žvyro dangos, kur išmestos medžiagos gali sukelti sužeidimus.
- Kiekvieną kartą prieš naudojant, reikia patikrinti, ar nepažeistas korpusas. Patikrinkite, ar apsauginiai įtaisai ir rankenos sumontuotos ir tinkamai priveržtos. Siekiant išlaikyti įrankio pusiausvyrą, nusidėvėjusias ar pažeistas dalis pakeiskite. Pakeiskite pažeistas ar neįskaitomas etiketes.
- Niekada nenaudokite šio prietaiso šalia esant kitiems asmenims, gyvūnams, o ypač vaikams.
- Stebėkite, kad oro vėsinimo įsiurbimo angos neužsiklūt atliekomis.
- Prieš naudodami pūstuvą atlaisvinkite šiukšles grėbliu ir šluota.
- Prieš pradėdami darbą sutvarkykite darbo vietą. Pašalinkite visus daiktus, tokius kaip akmenys, stiklo duženos, viny,

vielos ar virvės, kurie gali būti toli nupūsti greito oro srauto.

- Ilgiau naudojant, įrankis kelia sužeidimų pavojų ir apsunkina darbą. Ilgiau naudojant įrankius, reikia reguliariai daryti pertraukas.

ĮRANKIO SU AKUMULIATORIUMI NAUDOJIMAS IR PRIEŽIŪRA

- Pakartotinai kraukite prietaisą tik naudodami gamintojo nurodytą kroviklį. Vieno tipo akumuliatoriui tinkantis įkroviklis gali kelti gaisro pavojų kitokiam akumuliatoriui.
- Elektrinius įrankius naudokite tik su jiems skirtais baterijų paketais. Naudojant kitokius akumulatorius, galima susižeisti ar sukelti gaisrą.
- Kai akumulatorius nenaudojamas, jį laikykite toliau nuo kitų metalinių daiktų, pavyzdžiui, sąvaržėlių, monetų, raktų, vinių, varžtų ar kitų mažų metalinių daiktų, kurie vieną gnybtą gali sujungti su kitu. Sutrumpinus vieną akumulatoriaus gnybtą su kitu, galima nusideginti arba sukelti gaisrą.
- Netinkamomis sąlygomis iš akumulatoriaus gali ištekėti skystis - nelieskite jo. Jei atsitiktinai prisilietėte - nuplaukite vandeniu. Jei skysčio pateko į akis, nedelsiant kreipkitės į gydytoją. Iš akumulatoriaus ištekėjęs skystis gali nudeginti ar sukelti sudirginimus.
- Nenaudokite akumuliatorių bloko ar įrankio, kuris yra sugadintas arba pakeistas. Sugadinti arba pakeisti akumulatoriai gali veikti neprognozuojamai ir dėl to gali kilti gaisras, sprogimas arba pavojus susižaloti.
- Neleiskite, kad akumuliatorių blokas patektų į ugnį arba kad jį veiktų per didelė temperatūra. Patekus į ugnį arba veikiant aukštesnei kaip 130 °C temperatūrai gali kilti sprogimas.
- Laikykitės visų įkrovimo instrukcijų ir neįkraukite akumuliatorių bloko ar įrankio jei temperatūra yra už instrukcijose nurodyto diapazono ribų. Netinkamai įkraunant arba jei temperatūra yra už nurodyto diapazono ribų gali būti sugadinti akumulatoriai ir padidėti gaisro pavojus.

EKSPLOATAVIMAS

- Naudokite prietaisą tik priimtinomis valandomis - ne anksti ryte ar vėlai vakare, kai jo skleidžiamas triukšmas gali drumsti žmonių ramybę.
- Jokiu būdu nenaudokite prietaiso sprogoje aplinkoje.
- Stenkitės nenaudoti įrenginio prastomis oro sąlygomis, ypač, jei kyla žaibo pavojus.
- Pašaliniai asmenys, vaikai ir gyvūnai turi būti 15 m atstumu nuo genėjimo vietos. Į apdirbamą plotą įėjus pašaliniam asmeniui, gaminį reikia sustabdyti.
- Nenaudokite šio gaminio prasto apšvietimo sąlygomis. Kad pastebėtų galimus pavojus, prietaisu dirbančiam asmeniui turi būti sudarytos gero matomumo sąlygos.
- Netoliese naudojant panašius prietaisus padidėja pavojus pakenkti klausą ir galimybė kitiems asmenims patekti į darbo zoną.
- Nuolat atkreipkite dėmesį į stabilią stovėseną nuolaidžiose vietose. Visada eikite, niekada nebėkite.
- Visada tvirtai stovėkite ir išlaikykite pusiausvyrą. Neipersitempkite. Persitempę galite prarasti pusiausvyrą.
- Niekada nenaudokite šio prietaiso, jei pažeisti jo apsauginiai gaubtai ar skydeliai, nenaudokite be apsauginių įtaisų.
- Siekiant su mažinti susižalojimo pavojų, galintį kilti dėl sąlyčio su besisukančiomis dalimis, visada išjunkite įrenginį ir išimkite akumuliatorių. Patikrinkite, ar visos judančio dalys visiškai nustojo sukintis:
 - prieš palikdami įrenginį be priežiūros
 - prieš šalindami užsikimšimus
 - prieš tikrindami ar valydami prietaisą arba prieš pradėdami juo pjauti žolę
 - prieš tikrindami įrenginį jam atsitrenkus į koki nors pašalinį objektą
 - prietaisui pradėjus neįprastai vibruoti (kuo skubiau patikrinkite)
- Nelaimingo atsitikimo arba gedimo atveju nedelsdami išjunkite įrenginį ir išimkite akumuliatorių. Nenaudokite įrenginio tol, kol jis nebus išsamiai patikrintas įgaliotos techninės priežiūros centre.

- Niekaip nemodifikuokite prietaiso ir nemontuokite dalių bei priedų, kurias naudoti nepataria gamintojas.
- Jei gaminys nukrito, patyrė stiprų smūgį arba pradėjo neįprastai vibruoti, nedelsdami sustabdykite gaminį ir patikrinkite, ar nėra pažeidimų, arba nustatykite vibravimo priežastį. Pakenktos dalys turi būti tinkamai sutaisytos arba pakeistos igaliojame techninio aptarnavimo centre.

⚠ **ĮSPĖJIMAS!** Gaminys gali būti pateiktas su diržu. Kruopščiai sureguliuokite diržą, kad jums būtų patogų laikyti gaminį.

Prieš pradėdami naudotis įrenginiu, susipažinkite su diržo greitojo atkabinimo mechanizmu ir pasipraktikuokite, kaip juo naudotis. Teisingai naudojant šį įtaisą, galima apsisaugoti nuo sužeidimų įvykus avarijai. Nevilkėkite ant diržo jokių papildomų drabužių ir kitaip neribokite galimybių pasiekti greito atfiksavimo mechanizmą.

PŪSTUVO SAUGOS ĮSPĖJIMAI

- Esant dulkėms, dėvėkite kaukę nuo dulkių, kad dulkių įkvėpus sumažintumėte pavojų sveikatai.
- Kai valote dulkėtą vietą, šiek tiek sudrėkinkite valomus paviršius.
- Šio prietaiso nenaudokite prie atvirų langų.
- Ištieskite pūtimo įtaiso antgalį visu ilgiu, kad oro srovė pūstų arti žemės ir darbas būtų našus.
- Pūstuvo antgalio nenukreipkite į žmones ar gyvūnus.
- Jokių būdu nedėkite daiktų į nupūtimo oru prietaiso vamzdžius.
- Nelaikykite įrenginio ant palaidų atliekų viršaus ar šalia jų. Prietaisas gali įtraukti sąnašas į įsiurbimo angą ir dėl to sugesti.

PAPILDOMI AKUMULIATORIAUS SAUGOS ĮSPĖJIMAI

Siekiant sumažinti gaisro, susižeidimų ir įrangos pažeidimų pavojus, galinčius kilti dėl trumpojo elektros jungimo, pasirūpinkite, kad įrankis, akumulatorius arba įkroviklis niekada nebūtų panardintas į jokią skystį, o taip pat, kad skystis nepatektų į jų vidų. Koroziją sukeltantys arba laidūs skysčiai, pvz., sūrus vanduo, tam tikri chemikalai ir balikliai arba produktai, kurių sudėtyje yra baliklių, gali sukelti trumpąjį jungimą.

GABENIMAS IR LAIKYMAS

- Išjunkite įrenginį, išimkite akumulatorių ir palaukite, kol įrenginys atvės, jei norite jį padėti saugojimo vietą arba transportuoti.
- Nuo įrankio nuvalykite visas pašalines medžiagas. Laikykite vėsioje, sausoje, gerai vėdinamoje ir vaikams nepasiekiamoje vietoje. Laikykite gaminį toliau nuo korozinių medžiagų, pvz. sodo chemikalų ir tirpdančių druskų. Nelaikykite įrenginio lauke.
- Paruošiant gabenimui, gaminį reikia pritvirtinti, kad nejudėtų ir nenukrsitų, nes priešingu atveju jis gali sužaloti žmones arba sugesti pats.

LIČIO BATERIJŲ TRANSPORTAVIMAS

Akumulatorių gabenkite pagal vietinius ir šalies reikalavimus bei nuostatas.

Akumulatorius gabenant trečiajai šaliai būtina laikytis visų specialių reikalavimų, nurodytų pakuotėse ir etiketėse. Užtikrinkite, kad gabavimo metu nei vienas akumulatorius nesiliestų su kitais akumulatoriais arba laidžiosiomis medžiagomis – apsauginius jungiamuosius elementus uždenkite izoliacinėmis nelaidžiomis movomis arba juosta. Įskilusių ir tekančių akumulatorių negabenkite. Dėl tolesnių patarimų kreipkitės į transporto įmonę.

PRIEŽIŪRA

- Keitimui naudokite tik originalias gamintojo atsargines dalis. Neoriginalios dalys gali būti sužeidimų ir įrenginio blogo veikimo priežastis, ir dėl to gali būti anuliuotas garantinis pažymėjimas.
- Aptarnavimą atlikti būtina itin atidžiai, todėl rekomenduojame, kad techninę apžiūrą vykdytų kvalifikuotas specialistas. Įrenginį techninei priežiūrai pristatykite tik į įgaliojantį techninės priežiūros centrą.
- Dažnai tikrinkite visas varžles, varžtus ir sraigtus, ar jie tvirtai laikosi ir ar gaminys yra saugios darbo būklės stovyje. Bet kurią apgadintą detalę leidžiama remontuoti arba keisti tik autorizuotame aptarnavimo centre.
- Prireikus pakeisti sugadintas ar neįskaitomas etiketes, gaminį reikia nugabenti į įgaliojantį techninio aptarnavimo centrą.

- Prietaisą galite reguliuoti ir remontuoti, kaip aprašyta šiame naudotojo vadove. Dėl kitų dalių taisymo ar pagalbos taisant reikia kreiptis į įgaliotą techninio aptarnavimo centrą.
- Po kiekvieno naudojimo, išvalykite įrenginį sausu švelnaus audinio gabalėliu.

UŽSIKIMŠUSIO GAMINIO VALYMAS

- Norėdami išvengti pavojaus susižaloti prisilietus prie judančių dalių, visada būtinai išjunkite įrenginį, išimkite akumuliatorių ir įsitikinkite, kad visos judančios dalys visiškai sustojo.
- Nuimkite pūtimo vamzdžius ir patikrinkite, ar neužsikimšo. Jei vamzdeliai užsikimšę, iš jų reikia pašalinti kamščius.
- Prieš vėl įjungdami gaminį montuokite pūstuvo vamzdžius.

SUSIPAŽINKITE SU ĮRENGINIU

Žr. 111 psl.

1. Įjungimo/išjungimo spragtukas
2. Rankena
3. Baterijos jungtis
4. Fiksatorius
5. Nupūtimo vamzdis
6. Naudojimo instrukcija
7. Baterija
8. Įkroviklis

ŽENKLAI



Pranešimas apie saugumą



Reguliariai ir prieš kiekvieną naudojimą tikrinkite, ar tinkamai užveržti visi sraigčiai, varžtai ir veržlės, kad užtikrintumėte saugą darbo aplinką. Vadovaukitės visais įspėjimais ir saugos taisyklėmis.



Dėvėkite akių ir ausų apsaugą.



Neleiskite gaminiui būti po lietumi arba drėgnose sąlygose.



Sukamieji ventiliatoriai. Įrenginiai veikiant, rankas ir kojas laikykite atokiai nuo angų.



Visus pašalinius asmenis, ypač vaikus ir gyvūnus, laikykite saugiu atstumu nuo darbo zonos.



Garantuotas akustinis lygis

Neišmeskite senų akumuliatorių, elektros ir elektroninės įrangos atliekų kartu su nerūšiuotomis komunalinėmis atliekomis. Seni akumuliatoriai, elektros ir elektroninės įrangos atliekas privaloma surinkti atskirai. Senos baterijos, akumuliatoriai ir šviesos šaltinių atliekos turi būti pašalinti iš įrangos. Kur rasti surinkimo ir perdirbimo punktą ir kaip tinkamai utilizuoti seną įrenginį, kreipkitės į vietos valdžios įstaigą ar pardavėją. Atsižvelgiant į vietos teisės aktus, mažmenininkai gali būti įpareigoti nemokamai priimti atgal senus akumuliatorius ir elektros bei elektroninės įrangos atliekas. Prisidėdami prie pakartotinio senų akumuliatorių ir elektros bei elektroninės įrangos atliekų panaudojimo ir perdirbimo padedate mažinti žaliavų poreikį. Senuose akumuliatoriuose, ypač tuose, kuriuose yra ličio, elektros ir elektroninės įrangos atliekose yra vertingų ir perdirbimui tinkamų medžiagų, kurios gali turėti neigiamą poveikį aplinkai ir žmonių sveikatai, jei nėra šalinamos aplinkai nekenksmingu būdu. Ištrinkite senuose prietaisuose esančius asmens duomenis, jei tokių buvo.



Juhtmeta puhurijuures on peetud esmatähtsaks ohutust, töövõimet ja töökindlust.

OTSTARBEKOHANE KASUTAMINE

Juhtmeta puhur on mõeldud kasutamiseks ainult õues, kuivades ja hästi valgustatud tingimustes.

Seade ei ole ette nähtud kasutamiseks laste või nende isikute poolt, kellel on piiratud füüsilised, vaimsed või sensoorsed võimed.

Seade on ette nähtud kasutamiseks vaid kerge prahi ärapuhumiseks, näiteks lehed, rohi ja muu aiandusprügi.

Ärge kasutage ühekski muuks otstarbeks.

OHUTUSE ÜLDEESKIRJAD

△ HOIATUS! Lugege kõik ohuhoiatused ja juhised läbi. Hoiatuste ja juhiste eiramisel on oht saada elektrilööki või raskeid kehavigastusi ning/või põhjustada tulekahju. Hoidke kõik hoiatused ja juhised tulevikus vaatamiseks alles.

△ HOIATUS! Toodet ei tohi kasutada lapsed ega isikud, kes ei tea neid kasutusjuhiseid. Kohalikud regulatsioonid võivad seada kasutaja vanusele piiranguid.

VÄLJAÕPE

- Lugege juhised hoolikalt läbi. Õppige tundma kõiki seadme juhtseadiseid ja kasutusnõudeid.
- Pidage meeles, et operaator või kasutaja on vastutav õnnetuste või ohuolukordade eest, mis võivad puudutada teisi inimesi või nende vara.
- Ärge kasutage toodet, kui olete väsinud, haige või narkootikumide, alkoholi või ravimite mõju all.

ETTEVALMISTUSTOIMINGUD

- Mõnedes piirkondades on seadused, mis piiravad toote kasutamist teatud tööde tegemiseks. Lisateavet saate kohalikest omavalitsusest.
- Kandke selle seadme kasutamisel alati kuulmiskaitseid ja kaitseprille. Toode

tekitab müra ja võib põhjustada püsiva kuulmiskahjustuse, kui ei peeta rangelt kinni ettevaatusabinõudest, et piirata müraga kokkupuutumist ja müra vähendada.

- Kandke selle seadme kasutamise ajal alati silmakaitsevahendeid. Kandke täismaski või kaitsemaskprille. Tavalised kaitseprillid või päikesepriidid ei ole nõuetekohased kaitsevahendid. Objektid võivad võimsa õhujoa toimel suurel kiirusel igal hetkel välja lennata ja võivad kõvadelt pindadelt pörkuda operaatori suunas.
- Kandke seadmega töötamisel kinniseid jalanõusid ja pikki pükse. Ärge kasutage seadet paljajalu ega kandke töötamise ajal lahtisi sandaale. Vältige selliste riiete kandmist, mis on lõdvad või millel on paelad või sidemed.
- Ärge kandke lõtvu riietusesemed või ehteid, mida võidakse tõmmata õhu sissevõtuavasse. Kinnitage pikad juuksed õlgadest kõrgemale, et vältida nende takerdumist liikuvate osade vahele.
- Enne seadme kasutamise alustamist veenduge, et kõik juht- ja ohutusseadised töötavad nõuetekohaselt. Kui seade nupule OFF vajutamisel välja ei lülitu, ärge hakake tööriista kasutama.
- Kasutage seadet soovitud asendis ja töötage ainult tugeval horisontaalsel pinnal.
- Ärge kasutage masinat sillutatud või kruusaga kaetud pinnal, kus väljalastav materjal võib põhjustada vigastusi.
- Enne iga kasutuskorda kontrollige korpus üle vigastuste suhtes. Veenduge, et kaitsekatte ja käepidemed on oma kohtadel ja nõuetekohaselt kinnitatud. Ärakulunud ja vigastatud osad tuleb asendada komplektis, et säilitada tasakaalustatus. Asendage vigastatud või mittelootavad sildid.
- Ärge kasutage seadet, kui läheduses on teisi inimesi, eriti lapsi või lemmikloomi.
- Hoidke jahutusõhu pilud prahist puhtad.
- Kasutage enne puhumist reha ja luuda, et prügi oleks lahtine.
- Enne töö alustamist tuleb tööpiirkond alati korrastada. Eemaldage tööpiirkonnast kõik

esemed, nagu kivid, klaasikillud, naelad, juhtmed või nõõrid, mis võivad suure õhuvoolu tõttu kaugele välja paiskuda.

- Seadme pikaajalisel kasutamisel võite saada kehavigastusi ja varasemad vigastused võivad süveneda. Seadme kasutamisel pika aja jooksul tuleb teha korralisi vaheaegasid.

AKUTÖÖRIISTA KASUTAMINE JA KORRASHOID

- Laadige akut ainult tootja poolt ettenähtud laadijaga. Akulaadaja, mis sobib ühele akupaketile võib põhjustada tulekahju, kui seda kasutada teise akupaketiga.
- Kasutage akutööriista ainult selleks ettenähtud akudega. Muude akupakettide kasutamine võib põhjustada kehavigastusi või tulekahju.
- Sel ajal kui akupakett ei ole kasutusel, hoidke seda eemal metallesemetest nagu kirjaklambrid, mündid, võtmed, naelad, kruvid ja muudest väikestest metallobjektidest, mis võivad akuklemmid lühistada. Aku klemmide lühistamine võib põhjustada põletust või tulekahju.
- Aku vale kasutamise korral võib akuedelik välja voolata - vältige sellega kokkupuudet. Akuedeliku nahale sattumisel peske see veega maha. Vedeliku silma sattumisel pöörduge viivitamatult arsti poole. Väljapritsvitud akuedelik võib tekitada nahaärritust või -põletust.
- Ärge kasutage vigast või ümbertehtud akut ega tööriista. Vigased või ümbertehtud akud võivad toimida ettearvamatult, mille tagajärjeks on tulekahju, plahvatus või vigastuste oht.
- Ärge jätke akut või tööriista tule lähedale ega liiga kõrge temperatuuri kätte. Tuli või temperatuur üle 130 °C võib põhjustada plahvatust.
- Järgige kõiki laadimisjuhiseid ning ärge laadige akut ega tööriista väljaspool juhistes määratletud temperatuurivahemikku. Vale laadimine või laadimine väljaspool määratletud temperatuurivahemikku võib akut rikkuda ja suurendada tulekahju ohtu.

KASUTAMINE

- Töötage masinaga ainult mõistlikul kellaajal, mitte aga varahommikul, hilisõhtul või öösel, kui see võib teisi inimesi häirida.
- Ärge kunagi kasutage seadet plahvatusohtlikus keskkonnas.
- Vältige seadme kasutamist halva ilmaga, eriti siis kui on äikese oht.
- Hoidke kõik kõrvalseisjad, lapsed ja lemmikloomad tööalalt vähemalt 15 meetri kaugusele. Lülitage toode välja, kui keegi satub tööpiirkonda.
- Ärge kasutage toodet kehva valgustuse korral. Töötajal peab tööpiirkonnale olema selge väljavaade, et tuvastada võimalikud ohud.
- Mitme sarnase seadme töötamisel samas piirkonnas suurendab kuulmiskahjustuse riski töötajal ja inimestel, kes tööpiirkonda sisenevad.
- Kallakul töötamisel tagage endale kindel jalgealune. Töötamisel kõndige, ärge kunagi jookske.
- Hoidke kindlat jalgade asendit ja tasakaalu. Ärge kummardage. Kummardamine võib põhjustada tasakaalu kadumist.
- Ärge kasutage seadet, mille kaitsed või katted on vigastatud või ilma kaitseseadisteta.
- Et vähendada pöörlevate osadega kokkupuutumisest tingitud vigastuste ohtu, lülitage alati toode välja ja eemaldage aku. Veenduge, et kõik masina liikuvad osad on täielikult seiskunud:
 - enne toote juurest lahkumist
 - enne takistuste kõrvaldamist
 - enne kontrollimist, puhastamist või teenindamist
 - enne toote kontrollimist, kui see on võõrkehaga kokku puutunud
 - kui toode hakkab ebatavaliselt vibreerima (kontrollige viivitamatult)
- Lülitage otsekohe välja ja eemaldage aku õnnetuse või rikke korral. Ärge kasutage

tööriista enne, kui see on volitatud parandustöökojas põhjalikult kontrollitud.

- Ärge püüdke seadme konstruktsiooni mingil viisil muuta ega kasutage varuosi või tarvikud, mis pole tootja poolt soovitatud.
- Kui seade on maha kukkunud, saanud tugeva löögi või hakkab ebanormaalselt vibreerima, seisake seade viivitamatult ja kontrollige see üle vigastuste suhtes. Kõik vigastused tuleb lasta volitatud hooldustöökojas parandada või asendada.

△ HOIATUS! Toode võib olla varustatud turvistikuga. Reguleerige rakmed enda jaoks hoolikalt välja, nii et need hoiavad seadet üleväl.

Tehke kindlaks, kuidas kasutada kiirvabastusmehhanismi ja proovige seda enne kasutamise alustamist. Selle õige kasutamine võimaldab ära hoida hädaolukorras tekkida võiva raske kehavigastuse. Ärge kunagi kandke kanderihma peal riideid või takistage muul viisil juurdepääsu kiiravatavale mehhanismile.

PUHURI OHUTUSNÕUDED

- Tolmustes tingimustes töötamisel kandke respiraatorit, et vähendada tolmu sissehingamisest põhjustatud tervisekahjustusi.
- Tolmuses kohas niisutage pindasid.
- Ärge kasutage seadet avatud akende läheduses.
- Pikendage puhuri toru sellise pikkuseni, mille puhul saate õhku puhuda maapinna lähedal ja tõhusalt töötada.
- Ärge mingil juhul suunake puhuri otsakut inimeste või lemmikloomade suunas.
- Ärge pange mingeid esemeid puhuri toru sisse.
- Ärge asetage toodet lahtise prügi peale ega lähedale. Praht võidakse imeda ventilaatori sissetõmbeavadesse ja see võib põhjustada seadme vigastumise.

AKU LISAOHUTUSJUHISED

Et vähendada tulekahju ja kehaliste vigastuste ohtu ning lühisest tulenevat toote kahjustamist,

ärge kunagi kastke tööriista, akut või laadijat vedelikesse ega laske neil vedelikega kokku puutuda. Korrodeeruvad või elektrit juhtivad vedelikud, nagu soolvesi, teatud kemikaalid ja pleegitusained või pleegitusaineid sisaldavad tooted, võivad põhjustada lühist.

TRANSPORTIMINE JA HOIUSTAMINE

- Enne toote hoiustamist või selle transportimist lülitage toode välja, eemaldage aku ja laske mõlemal maha jahtuda.
- Puhastage seade kõikidest võõrkehadest. Hoidke kuivas ja hästi ventileeritud kohas, mis on lastele juurdepääsmatu. Hoidke seadet eemal korrodeerivatest ainetest, nagu aiakemikaalid ja jääsulatussoolad. Ärge hoiustage toodet väljas.
- Vedamise ajal tõkestage kultivaator liikuma hakkamise ja alla kukkumise vastu, et vältida kehavigastusi ja masinaosade kahjustamist.

LIITUMAKUDE TEISALDAMINE

Akude transportimisel juhendage kasutuskohas kehtivatest riiklikest määrustest ja eeskirjadest.

Akude transportimisel allettevõtjate poolt järgige kõiki pakkimise ja tähistamise erinõudeid. Veenduge, et akud ei satu kokkupuutese teiste akude ega voolu juhtivate materjalidega, kui avatud klemmid on transportimise ajal kaitstud voolu mittejuhtivate isoleerkorkide või teibiga. Ärge transportige pragunenud või lekkivaid akusid. Küsige lisateavet transportettevõttelt.

HOOLDUS

- Kasutage ainult tootja originaalvaruosi, tarvikuid ja tööorganeid. Selle nõude eiramine võib põhjustada, kehavigastuse, tootluse languse ja teile antud garantii tühistamise.
- Hooldamine nõuab ülimalt korrashoidu ja teadmisi ning tuleks teostada ainult kvalifitseeritud hooldustehnikute poolt. Toodet tohib parandada vaid volitatud teeninduses.
- Kontrollige kõiki mutreid, polte ja kruvisid sagedaste intervallidega õige pinguloleku

suhtes, et veenduda toote ohutus töökorras olemises. Vigastatud osad tuleb lasta pädeval hooldajal parandada või asendada.

- Pöörduge vigastatud ja loetamatute kleebiste asendamiseks volitatud hoolduskeskuse poole.
- Lubatud on teha ainult selles kasutusjuhendis kirjeldatud reguleerimis- ja parandustoiminguid. Muude remonditööde tellimiseks ja abi saamiseks pöörduge volitatud hoolduskeskusesse.
- Iga kord pärast kasutamist puhastage seadet pehme ja kuiva lapiga.

UMMISTUSE KÕRVALDAMINE

- Et vähendada liikuvate osadega kokkupuutumisest tingitud vigastuste ohtu, lülitage alati toode välja, eemaldage aku ja veenduge, et kõik liikuvad osad on täielikult peatunud.
- Ummistuse kontrollimiseks eemaldage puhuritorud. Vajaduse korral puhastage torud.
- Enne toote käivitamist pange puhuritorud tagasi.

ÕPPIGE OMA TOODET TUNDMA

Vt leht 111.

1. „Sisse/Välja”-päästik
2. Käepide
3. Akuterminal
4. Lukusti
5. Puhumistoru
6. Kasutusjuhend
7. Aku paketi
8. Laadija

SÜMBOLID



Ohutusalane teave



Enne toote kasutamist lugege läbi ja tehke endale selgeks kõik juhised. Järgige kõiki hoiatusi ja tööohutuseeskirju.



Kandke kaitseprille ja kõrvaklappe.



Ärge jätke vihma ega niiskuse kätte.



Pöörlevad ventilaatorid. Kui seade töötab, siis hoidke oma käed ja jalad avast eemale.



Hoidke kõik kõrvalseisjad, eriti lapsed ja lemmikloomad, tööpiirkonnast ohutul kaugusel.



Garanteeritud helivõimsuse tase

Ärge kõrvaldage kasutatud patareid ning elektri-ja elektroonikaseadmete jäätmeid sortimata olmejäätmetena. Kasutatud patareid ning elektri-ja elektroonikaseadmete jäätmeid tuleb koguda eraldi. Patareijäätmed, akujäätmed ja jäätmetest valgusallikad tuleb seadmetest eemaldada. Taaskasutusnõuannete ja kogumispunktiga seotud teabe saamiseks pöörduge kohaliku omavalitsuse või edasimüüja poole. Kohalike eeskirjade kohaselt võib jaemüüjatel olla kohustus kasutatud patareid ning elektri-ja elektroonikaseadmete jäätmed tasuta tagasi võtta. Teie panus patareide ning elektri-ja elektroonikaseadmete jäätmete korduskasutamisse ja ringlussevõttu aitab vähendada toorainete nõudlust. Patareijäätmed, mis sisaldavad eelkõige liitiumi, ning elektri-ja elektroonikaseadmete jäätmed sisaldavad väärtuslikke ja ringlussevõetavaid materjale, mis võivad keskkonda ja inimeste tervist kahjustada, kui neid ei kõrvaldata keskkonnasäästlikul viisil. Olemasolul kustutage jäätmeseadmest isikuandmed.



Vodeću ulogu u dizajnu vaše akumulatorske puhalice imaju sigurnost, performanse i pouzdanost.

NAMJENA

Akumulatorska puhalica namijenjena je samo upotrebi na otvorenom u suhim i dobro osvijetljenim uvjetima.

Ovaj proizvod nije namijenjen za korištenje od strane djece ili osoba sa smanjenim fizičkim, psihičkim ili mentalnim mogućnostima.

Proizvod je namijenjen za ispuhivanje lakih ostataka uključujući lišće, travu i druge vrtno otpatke.

Proizvod ne koristite ni za kakvu drugu svrhu.

OPĆA SIGURNOSNA PRAVILA

⚠ UPOZORENJE! Pročitajte sva sigurnosna upozorenja i sve upute. Nepridržavanje upozorenja i uputa može izazvati strujni udar, požar i/ili ozbiljne ozljede. Sačuvajte ova upozorenja i upute kako biste ih naknadno mogli konzultirati.

⚠ UPOZORENJE! Nikada nemojte dopustiti korištenje proizvoda djeci ili osobama koje nisu upoznate s uputama. Moguće je da lokalni propisi propisuju starosnu dob rukovatelja.

OBUKA

- Pažljivo pročitajte upute. Upoznajte se s upravljačkim elementima i pravilnim korištenjem proizvoda.
- Imajte na umu da je rukovatelj ili korisnik odgovoran za nezgode ili opasnosti koje nastanu drugim osobama ili njihovoj imovini.
- Ne koristite proizvod ako ste umorni ili pod utjecajem droga, alkohola ili lijekova.

PRIPREMA

- Neke regije imaju pravila koja ograničavaju korištenje proizvoda za neke radove. Provjerite kod lokalnih tijela za savjet.
- Cijelo vrijeme dok radite s proizvodom nosite zaštitu za oči. Proizvod je bučan i ako se strogo ne pridržavate mjera za

ograničenje izlaganja i smanjenje buke, može prouzročiti trajno oštećenje sluha.

- Cijelo vrijeme nosite potpunu zaštitu za oči. Nosite masku preko cijelog lica ili potpuno zatvorene naočale. Obične naočale ili sunčane naočale nisu adekvatna zaštita. Predmeti mogu biti odbačeni velikom brzinom snažnim mlazom zraka i mogu se odbiti od tvrde površine prema operateru.
- Tijekom rada s proizvodom uvijek nosite zaštitnu obuću i duge hlače. Nemojte raditi bosu ili u otvorenim sandalama. Izbjegavajte nositi odjeću koja je labava ili s nje visi konop ili kravata.
- Nemojte nositi labavu odjeću ili nakit koji može biti povučen u otvor za zrak. Osigurajte dugu kosu na način da je iznad razine ramena kako biste spriječili zahvaćanje u pokretne dijelove.
- Osigurajte prije svakog korištenja da svi upravljački elementi i sigurnosni uređaji pravilno funkcioniraju. Ne koristite alat ako sklopka „isključeno“ ne zaustavlja proizvod.
- Radite s proizvodom u preporučenom položaju i samo na čvrstoj, ravnoj površini.
- Nemojte raditi s uređajem na popločanim ili šljunčanim površinama gdje odbačeni materijal može uzrokovati ozljedu.
- Prije svakog korištenja uvijek provjerite kućište za oštećenja. Osigurajte da su štitnici i ručke pravilno postavljeni i pričvršćeni. Kako biste održali simetriju uređaja zamijenite istrošene ili oštećene komponente u sklopovima. Zamijenite oštećene ili nečitljive naljepnice.
- Nikada ne radite s uređajem dok su u blizini ljudi, osobito djeca ili kućni ljubimci.
- Održavajte sve ulaze za zrak čistim od krhotina.
- Prije puhanja metlom i grabljama očistite ostatke koliko je to moguće.
- Prije svakog korištenja očistite radno područje. Uklonite sve predmete kao što su kamenje, slomljeno staklo, čavli, žica ili konopi koji mogu biti odbačeni uslijed velike brzine.

- Povrede mogu biti uzrokovane ili zadobivene produljenim korištenjem alata. Kada koristite bilo koji alat dulje vremena, osigurajte da uzimate povremene stanke.

KORIŠTENJE I BRIGA O AKU ALATU

- Punite samo s punjačem navedenim od proizvođača. Punjač koji je prikladan za jednu vrstu baterija može dovesti do opasnosti od požara kada se koristi s drugom baterijom.
- Koristite AKU alate samo s posebno naznačenim baterijama. Korištenje bilo kojih drugih baterija dovodi do opasnosti od ozljeda i požara.
- Kada se baterija ne koristi držite je dalje od drugih metalnih predmeta kao što su spajalice za papir, kovanice, ključevi, čavli, vijci ili drugi mali metalni predmeti koji mogu spojiti jedan pol na drugi. Kratki spoj polova baterije može izazvati opekotine ili požar.
- Pod uvjetima loma može doći do izbacivanja tekućine iz baterije, izbjegavajte kontakt. Ako dođe do nehomičnog kontakta, isperite to mjesto s vodom. Ako tekućina dospije u oči, dodatno potražite liječničku pomoć. Tekućina koja istječe iz baterije može dovesti do iritacije ili opekotina.
- Nemojte koristiti bateriju ili alat koji su oštećeni ili modificirani. Oštećene ili modificirane baterije mogu imati nepredvidivo ponašanje, što može dovesti do požara, eksplozije ili rizika od tjelesnih ozljeda.
- Nemojte izlagati bateriju ili alat vatri ili visokim temperaturama. Izlaganje vatri ili temperaturama višim od 130 °C može dovesti do eksplozije.
- Slijedite sve upute za punjenje i nemojte puniti bateriju ili alat na temperaturama izvan temperaturnog raspona specificiranog u uputama. Nepravilno punjenje ili punjenje na temperaturama izvan specificiranog raspona može oštetiti bateriju i povećati rizik od požara.

UPORABA

- Radite s uređajem na napajanje u razumne sate – ne rano ujutro ili kasno navečer kada možete uznemiravati ljude.

- Nikada ne radite s proizvodom u eksplozivnoj atmosferi.
- Izbjegavajte korištenje proizvoda u lošim vremenskim uvjetima, posebice ako postoji opasnost od udara munje.
- Držite promatrače, djecu i kućne ljubimce 15 m dalje od područja rada. Zaustavite proizvod ako bilo tko uđe u područje rada.
- Nemojte rukovati proizvodom pri lošem osvjetljenju. Operateru treba jasan pogled radnog područja kako bi identificirao potencijalne opasnosti.
- Rad u blizini sličnim alatom dovodi do opasnosti povreda sluha i mogućim ulaskom drugih osoba u radno područje.
- Uvijek se čvrsto uprite na kosinama. Hodajte, nemojte trčati.
- Zauzmite čvrst stav i ravnotežu. Ne sežite preko određene granice. Seznanje preko određene granice može imati za posljedicu gubitak ravnoteže.
- Nikada nemojte raditi s uređajem s oštećenim pokrovima ili štitnicima, ili bez sigurnosnih uređaja.
- Kako biste smanjili rizik od ozljeda zbog kontakta s okretnim dijelovima, uvijek isključite proizvod i izvadite baterijski sklop. Provjerite da su svi pokretni dijelovi zaustavljeni:
 - prije ostavljanja proizvoda bez nadzora
 - prije čišćenja blokada
 - prije provjere, čišćenja ili rada na uređaju
 - prije pregledavanja proizvoda nakon udara u strano tijelo
 - ako uređaj počne abnormalno vibrirati (odmah provjerite)
- Odmah ga isključite i izvadite baterijski sklop u slučaju nesreće ili kvara. Proizvodom nemojte ponovno rukovati sve dok ga potpuno ne provjeri ovlašteni servisni centar.
- Nemojte modificirati uređaj ni na koji način ili koristiti dijelove ili dodatni pribor koje nije preporučio proizvođač.
- Ako je proizvod ispao, pretrpio težak udar ili abnormalno vibrira, odmah zaustavite

proizvod i provjerite na oštećenje ili identificirajte uzrok vibracija. Svaki oštećeni dio trebao bi pravilno popraviti ili zamijeniti ovlaštenu servisni centar.

⚠ UPOZORENJE! Proizvod može biti isporučen s pojasom. Pažljivo podesite kopču rad komfora u pomoći podrške težine proizvoda.

Pronađite brzi mehanizam za otpuštanje i vježbajte korištenje prije nego počnete koristiti uređaj. Njegovo pravilno korištenje sprječava ozbiljne povrede u slučaju nužde. Nikada nemojte nositi dodatnu odjeću preko pojasa ili na neki drugi način ograničiti pristup brzorastavnom mehanizmu.

SIGURNOSNA UPOZORENJA PRI UPOTREBI PUHAČA

- U prašnjavim uvjetima nosite masku za lice s filtrom kako biste smanjili opasnost od ozljeda vezanih uz udisanje prašine.
- Neznatno navlažite površine u prašnjavim uvjetima.
- Nemojte raditi s uređajem pored otvorenih prozora.
- Koristite produžetak mlaznice za jako puhanje kako bi mlaz zraka radio bliže tla.
- Nemojte usmjeravati mlaznicu pihalice u smjeru ljudi ili kućnih ljubimaca.
- Nikada ne postavljajte predmete unutar cijevi pihalice.
- Proizvod nemojte stavljati na gomilu rastresitih krhotina ili pokraj nje. Krhotine mogu biti usisane u ulazni otvor za ventilaciju dovodeći do mogućeg oštećenja jedinice.

DODATNA SIGURNOSNA UPOZORENJA ZA BATERIJU

Kako biste smanjili rizik od požara, tjelesnih ozljeda i oštećenja proizvoda zbog kratkog spoja, nikada nemojte umakati proizvod, baterijski sklop ili punjač u tekućinu ili dozvoliti da tekućina prođe u njih. Korozirajuće ili vodljive tekućine kao slana voda, određene kemikalije i sredstva za bijeljenje ili proizvodi koji sadrže sredstva bijeljenja, mogu prouzročiti kratak spoj.

PRIJEVOZ I SKLADIŠTENJE

- Isključite proizvod, izvadite baterijski sklop i pustite ga da se ohladi prije skladištenja ili prevoženja.
- Očistite svaki strani materijal s uređaja. Skladištite ga na suhom i dobro ventiliranom mjestu koje nije pristupačno djeci. Držite proizvod podalje od korozivnih sredstva kao što su vrtno kemikalije i soli protiv zaleđivanja. Proizvod ne čuvajte na otvorenom.
- Za prijevoz, osigurajte uređaj protiv pomicanja ili pada kako biste spriječili povrede osoba ili oštećenja na uređaju.

TRANSPORTIRANJE LITIJUMSKIH BATERIJA

Transportirajte bateriju u skladu s lokalnim i nacionalnim pravima i zakonima.

Slijedite sve specijalne zahtjeve na pakiranju i naljepnicama prilikom transporta baterije od treće strane. Osigurajte da baterija ne može doći u kontakt s drugim baterijama ili provodnim materijalima tijekom transporta tako da zaštitite izložene priključke s izolacijom, kapticama koje ne provode energiju ili trakom. Nemojte transportirati baterije koje su polomljene ili cure. Provjerite kod kompanije koji transportirate za daljnju pomoć.

ODRŽAVANJE

- Koristite samo originalne zamjenske dijelove, dodatni pribor i priključke od proizvođača. Nepoštivanje ovih uputa može dovesti do mogućih ozljeda, loše učinkovitosti i može dovesti do poništenja jamstva.
- Servisiranje iziskuje krajnju pažnju i znanje i treba da ga vrši samo kvalificirani serviser. Neka se proizvod servisira samo u ovlaštenom servisnom centru.
- Često provjeravajte sve matice i zavrtnje da li su dobro pritegnuti kako biste bili sigurni da je proizvod u sigurnom radnom stanju. Svaki oštećeni dio trebao bi pravilno popraviti ili zamijeniti ovlaštenu servisni centar.

- Za zamjenu oštećenih ili nečitljivih naljepnica vratite proizvod u ovlašteni servisni centar.
- Možete izvršiti podešavanja i popravke koji su opisani u ovom priručniku. Za ostale popravke ili savjete, potražite pomoć ovlaštenog servisnog centra.
- Nakon svakog korištenja proizvod obrišite sa suhom mekom krpom.

ČIŠĆENJE BLOKADA

- Kako biste smanjili rizik od ozljeda povezan s dodirivanjem rotirajućih dijelova, uvijek isključite proizvod, izvadite baterijski sklop i provjerite jesu li se svi pokretni dijelovi potpuno zaustavili.
- Uklonite cijevi puhalice kako biste mogli pregledati je li se uređaj začepio. Po potrebi očistite cijevi.
- Prije pokretanja proizvoda ponovno montirajte sve cijevi puhalice.

UPOZNAJTE SVOJ PROIZVOD

Pogledajte stranicu 111.

1. Sklopka za uklj./isklj.
2. Ručka
3. Priključak na bateriju
4. Zasun
5. Cijev puhalice
6. Korisnički priručnik
7. Baterija
8. Punjač

SIMBOLI



Sigurnosno upozorenje



Prije rada s proizvodom morate pročitati i razumjeti sve upute. Slijedite sva upozorenja i sigurnosne upute.



Nosite sredstva za zaštitu vida i sluha.



Ne izlažite kiši ili vlažnim uvjetima.



Rotirajući ventilatori. Držite ruke i stopala izvan otvora dok uređaj radi.



Držite sve prisutne osobe, naročito djecu i kućne ljubimce, na sigurnoj udaljenosti od područja rada.



Jamčena razina zvučne snage



Otpadne akumulatore, otpadnu električnu i elektroničku opremu nemojte odlagati kao nesortirani komunalni otpad. Otpadni akumulatori i otpadna električna i elektronička oprema moraju se prikupljati odvojeno. Otpadne baterije, otpadni akumulatori i izvori svjetla moraju se ukloniti iz opreme. Od lokalnih nadležnih tijela ili trgovca zatražite savjete koji se odnose na recikliranje i mjesto za skupljanje otpada. U skladu s lokalnim propisima, trgovci u maloprodaji imaju obvezu besplatnog preuzimanja otpadnih baterija i otpadne električne i elektroničke opreme. Vaš doprinos ponovnoj upotrebi i recikliranju otpadnih baterija i otpadne električne i elektroničke opreme pomaže u smanjenju potrebe za sirovinama. Otpadne baterije, osobito one koje sadrže litij i električna i elektronička oprema sadrži i vrijedne materijale koje je moguće reciklirati, koji mogu negativno utjecati na okoliš i ljudsko zdravlje, ako se ne uklanja na način ekološki sukladan s okolišem. Izbrišite osobne podatke iz otpadne opreme, ako ih ima.

Brezžični puhalnik je zasnovan za zagotavljanje najvišje ravni varnosti, učinkovitosti in zanesljivosti delovanja.

NAMEN UPORABE

Brezžični puhalnik je predviden izključno za uporabo na prostem pri dobri osvetlitvi in v suhih pogojih.

Izdelek ni namenjen za uporabo s strani otrok ali oseb z zmanjšanimi fizičnimi, duševnimi ali senzoričnimi zmožnostmi.

Izdelek je namenjen za pihanje lahkih smeti vključno z listjem, travo in drugimi vrtnimi odpadki.

Za druge namene ga ne uporabljajte.

SPLOŠNA VARNOSTNA OPOZORILA

⚠ OPOZORILO! Preberite vsa varnostna opozorila in navodila. Zaradi neupoštevanja opozoril in navodil lahko pride do električnega udara, požara in/ali resnih poškodb. Shranite vsa opozorila in navodila za kasnejšo uporabo.

⚠ OPOZORILO! Nikoli ne pustite, da bi izdelek uporabljali otroci ali osebe, ki niso seznanjene s temi navodili za uporabo. Lokalni predpisi se morda nanašajo tudi na minimalno starost upravitelja.

URJENJE

- Pazljivo preberite navodila. Seznanite se s krmilnimi elementi in pravilno uporabo izdelka.
- Pomnite, da je upravitelj oz. uporabnik odgovoren za nesreče ali nevarnosti, ki se pripetijo ostalim ljudem ali njihovi lastnini.
- Ne uporabljajte izdelka, če ste utrujeni, bolni ali pod vplivom drog, alkohola ali zdravil.

PRIPRAVA

- V nekaterih regijah predpisi omejujejo uporabo izdelka na določene namene. Za nasvet se obrnite na lokalne oblasti.
- Med celotnim upravljanjem izdelka vedno nosite popolno zaščito za ušesa. Izdelek je hrupen, zato lahko v primeru, da ne

upoštevate dosledno previdnostnih ukrepov za omejitev izpostavljenosti in znižanju hrupa, povzroči trajno poškodbo sluha.

- Med celotnim upravljanjem tega izdelka vedno nosite popolno zaščito za oči. Nosite popolno obrazno maslo ali povsem zaprta varnostna očala. Navadna očala ali sončna očala niso zadostna zaščita. Močan zračni vrtinec lahko kadarkoli zelo hitro vrže predmete, ki se lahko od trde površine odbijejo proti uporabniku.
- Med upravljanjem izdelka vedno nosite ustrezno obutev in dolge hlače. Naprave ne uporabljajte, če ste bos ali nosite odprte sandale. Ne nosite oblačil, ki so ohlapna ali z njih visijo trakovi.
- Ne nosite ohlapnih oblačil ali nakita, ki bi se lahko ujel v dovod zraka. Dolge lase si spnite nad rameni in tako preprečite njihovo ujetje v premikajoče se dele.
- Pred vsako uporabo zagotovite, da vse kontrole in varnostne naprave delujejo pravilno. Izdelka ne uporabljajte, če stikalo za izklop ne zaustavi motorja.
- Izdelek upravljajte v priporočenem položaju in samo na ravni, trdni podlagi.
- Naprave ne uporabljajte na tlakovani ali peščeni podlagi, kjer bi lahko naokoli leteč material povzročil poškodbe.
- Pred vsako uporabo vedno pregledjte, ali je ohišje morda poškodovano. Poskrbite, da bodo varovala in ročaji nameščeni in pravilno pritrjeni. Izrabljene ali poškodovane sestavne dele zamenjajte v kompletu in tako ohranite uravnoteženost naprave. Zamenjajte poškodovane ali neberljive oznake.
- Če so v bližini ljudje, še posebej otroci ali domače živali, naprave ne uporabljajte.
- Poskrbite, da bodo odprtine za zračenje čiste.
- Pred začetkom uporabe puhalnika material zrahljajte z grabljami in metlami.
- Pred vsako uporabo temeljito očistite območje obratovanja. Odstranite vse predmete, kot so skale, razlomljeno steklo,

žebliji, žice ali dele vrvi, ki bi med delovanjem lahko odleteli.

- Daljša uporaba orodja lahko privede do poškodb ali pa so poškodbe lahko hujše. Kadar orodje uporabljate dalj časa, si večkrat vzemite odmor.

UPORABA IN VZDRŽEVANJE BATERIJSKEGA ORODJA

- Baterijo polnite le s polnilnikom, ki ga določa proizvajalec. Polnilnik, ki ustreza eni vrsti baterij, morda lahko povzroči požar, če z njim polnite drugo vrsto baterij.
- Baterijska orodja uporabljajte samo s predpisano vrsto baterij. Uporaba katerih koli drugih baterij ustvari tveganje poškodb in požara.
- Ko baterije ne uporabljajte, pazite, da bo odmaknjena od kovinskih predmetov, kot so papirne sponke, kovanci, ključi, žebliji, vijaki ali drugih majhni kovinski predmeti, ki bi lahko povzročili povezavo med obema terminaloma. Kratek stik zaradi povezanih terminalov baterije lahko povzroči opekline ali požar.
- Ob zlorabi baterije lahko iz nje steče tekočina. Če se po nesreči dotaknete tekočine, mesto dotika sperite z vodo. Če pride tekočina v stik z očmi, poiščite zdravstveno pomoč. Tekočina, ki izteče iz baterije, lahko povzroči vnetje ali opekline.
- Poškodovanega ali spremenjenega akumulatorja oziroma orodja ne uporabljajte. Poškodovani ali spremenjeni akumulatorji lahko delujejo na nepredvidljiv način, kar lahko povzroči požar, eksplozijo ali nevarnost telesne poškodbe.
- Akumulatorja ali orodja ne izpostavljajte ognju ali previsokim temperaturam. Ob izpostavljenosti ognju ali temperaturam, višjim od 130 °C, lahko pride do eksplozije.
- Dosledno upoštevajte navodila za polnjenje in akumulatorja oziroma orodja ne polnite izven temperaturnega razpona, predpisanega v navodilih. Ob nepravilnem polnjenju oziroma polnjenju pri temperaturah izven predpisanega razpona

se lahko poškoduje akumulator in poveča nevarnost požara.

DELOVANJE

- Napravo uporabljajte le ob primernih urah – ne zgodaj zjutraj ali pozno zvečer, ko bi lahko koga motili.
- Naprave nikoli ne uporabljajte v eksplozivnem ozračju.
- Izogibajte se uporabi izdelka v slabih vremenskih pogojih, še posebej, če obstaja nevarnost strele.
- Prisotni, otroci in živali naj bodo vsaj 15 m oddaljeni od delovnega območja. Ugasnite izdelek, če kdo vstopi v območje.
- Pripomočka ne uporabljajte pri slabi osvetlitvi. Upravljalavec mora imeti jasen pregled nad delovnim območjem, da lahko prepозна morebitne nevarnosti.
- Uporaba podobnih orodij v bližini poveča nevarnost za poškodbe sluha in nevarnost, da druge osebe vstopijo v vaše delovno območje.
- Pri uporabi na pobočjih vedno pazite na ravnotežje. Vedno hodite, nikoli ne tecite.
- Pazite na ravnotežje in ne pretiravajte. Nesiahajte priliš daleko. Pretiravanje lahko povzroči izgubo ravnotežja.
- Naprave nikoli ne uporabljajte, če ima poškodovana vodila ali zaščitne ali brez nameščenih varnostnih naprav.
- Za zmanjšanje nevarnosti poškodbe zaradi stika z vrtljivimi deli izdelek vedno izklopite in odstranite baterijski vložek. Prepričajte se, da so se vsi premikajoči se deli popolnoma zaustavili:
 - preden zapustite napravo
 - pred odstranjevanjem blokad
 - pred preverjanjem in čiščenjem izdelka ali delom na njem
 - pred pregledom izdelka po udarcu ob predmet
 - če izdelek začne nenormalno vibrirati (preverite nemudoma)
- V primeru nesreče ali okvare izdelek takoj izklopite in odstranite baterijski vložek.

Izdelek prenehajte uporabljati, dokler ga temeljito ne pregledajo na pooblaščenem servisu.

- Na noben način ne spreminjajte naprave ter ne uporabljajte delov in dodatkov, ki jih ne priporoča proizvajalec.
- Če izdelek pade, močno trči ali začne nenormalno vibrirati, ga nemudoma zaustavite in preverite, ali je poškodovan oziroma poiščite vzrok vibriranja. Vsakršno poškodbo mora ustrezno popraviti ali zamenjati pooblaščen servisni center.

⚠ **OPOZORILO!** K izdelku je morda priložen varnostni pas. Previdno prilagodite jermen, da vam bo na udoben način pomagal podpirati težo izdelka.

Preden začnete uporabljati napravo, poiščite hitri odpenjalni mehanizem in vadite njegovo uporabo. Pravična uporaba lahko prepreči hude telesne poškodbe v nujnem primeru. Preko nosilnega pasu ne smete nositi dodatnih oblačil oziroma ne smete kakor koli drugače ovirati dostop do mehanizma za hitro sprožitve.

VARNOSTNA OPOZORILA ZA PUHALNIK

- V okolju z veliko prahu uporabljajte obrazni filter, saj tako zmanjšate tveganje za poškodbe, ki bi nastale zaradi vdihavanja prahu.
- V prašnih pogojih površine nekoliko navlažite.
- Naprave ne uporabljajte blizu odprtih oken.
- Uporabite podaljšek šobe puhalnika, tako da lahko zračni curek deluje zelo blizu tlom in je učinkovit.
- Šobe puhalnika ne usmerjajte proti ljudem ali živalim.
- V cevi puhalnika nikoli ne dajajte predmetov.
- Naprave ne odlagajte na odstranjene delce ali v njihovo bližino. Odpadke bi lahko povleklo v vhodno prezračevalno cev puhalnika, zaradi česar se enota lahko poškoduje.

DODATNA VARNOSTNA OPOZORILA ZA BATERIJO

Za zmanjšanje nevarnosti požara, telesne poškodbe in poškodbe izdelka zaradi kratkega stika nikoli ne potopite izdelka, baterijskega

vložka ali polnilca v tekočino ali dopustite, da bi tekočina vdrila vanju. Korozivne ali prevodne tekočine, kot so slana voda, določene kemikalije in belila ali proizvodi, ki le ta vsebujejo, lahko povzročijo kratek stik.

TRANSPORT IN SHRANJEVANJE

- Pred shranjevanjem ali transportom izdelka izdelek izklopote, odstranite baterijski vložek in počakajte, da se ohladi.
- Očistite vse tujke z izdelka. Shranite jo na suhem in dobro prezračenem mestu, ki ni na dosegu otrok. Shranjujte proč od korozivnih sredstev, kot so vrtno kemikalije in soli za topljenje ledu. Izdelka ne shranjujte na prostem.
- Za transport zavarujte izdelek pred premiki ali padci, da preprečite poškodbe oseb ali izdelka.

PRENAŠANJE LITIJEVIH BATERIJ

Baterije prevažajte v skladu z lokalnimi in državnimi uredbami in predpisi.

Upoštevajte vse posebne zahteve glede pakiranja in označevanja, kadar prevoz opravlja tretja oseba. Zagotovite, da baterije med prevozom ne morejo priti v stik z drugimi baterijami ali prevodnimi materiali tako, da zaščitite izpostavljene konektorje z izolacijo, neprevodnimi pokrovciki ali trakom. Ne prevažajte poškodovanih baterij oz. baterij, ki puščajo. Za nadaljnje informacije se obrnite na posredovalno podjetje.

VZDRŽEVANJE

- Uporabljajte le originalne rezervne dele in dodatke, ki jih priporoča proizvajalec. V nasprotnem primeru naprava lahko slabo deluje, povzroči poškodbe, garancija pa ne velja več.
- Servisiranje zahteva posebno pozornost in znanje in naj jo zato opravlja samo izurjeni servisni tehnik. Izdelek naj servisirajo izključno v pooblaščenem servisnem centru.
- Pogosto preverjajte, ali so vse matice in vijaki dobro priviti in tako zagotovite varno delovno stanje izdelka. Vsak poškodovani

del mora ustrezno popraviti ali zamenjati pooblaščen servisni center.

- Poškodovane ali nečitljive nalepke naj zamenjajo v pooblaščenem servisnem centru.
- Opravljati smete le nastavitve in popravila, ki so opisana v teh navodilih za uporabo. Za druga popravila ali nasvete se posvetujte s pooblaščenim storitvenim centrom.
- Po vsaki uporabi izdelek očistite z mehko in suho krpo.

ODPRAVLJANJE BLOKAD

- Za zmanjšanje nevarnosti poškodb zaradi stika s premikajočimi se deli izdelek vedno izklopite, odstranite akumulator in se prepričajte, da so se vsi vrteči se deli povsem ustavili.
- Odstranite pihalne cevi in jih preglejte zaradi morebitnih zamaškov. Po potrebi cevi očistite.
- Pred zagonom izdelka ponovno namestite cevi pihalnika.

SPOZNAJTE SVOJ IZDELEK

Glejte stran 111.

1. Sprožilnik za vklop/izklop
2. Ročaj
3. Odprtina za baterijo
4. Zapah
5. Cev pihalnika
6. Priročnik za uporabo
7. Akumulator
8. Polnilec

SIMBOLI



Varnostni alarm



Pred uporabo izdelka preberite in razumite vsa navodila. Upoštevajte vsa opozorila in varnostna navodila.



Nosite zaščito za oči in ušesa.



Ne izpostavljajte ga dežju ali vlagi.



Vrteči ventilator. Medtem ko je izdelek v teku, imejte roke in noge izven odprtin.



Vsa živa bitja v bližini, še posebej otroci in domače živali, morajo biti na varni razdalji od delovnega območja.



Zajamčena raven zvočne moči

Odpadnih baterij in odpadne električne in elektronske opreme ne odlagajte med nesortirane gospodinjne odpadke. Odpadne baterije in odpadno električno in elektronsko opremo je treba zbirati ločeno. Odpadne baterije, odpadne akumulatorje in svetlobne vire je treba odstraniti iz opreme. Glede recikliranja in zbirališča se posvetujte z lokalnim organom ali prodajalcem. Skladno z lokalnimi predpisi morajo trgovci na drobno odpadne baterije in odpadno električno in elektronsko opremo morda brezplačno prevzeti. Vaš prispevek k ponovni uporabi in recikliranju odpadnih baterij in odpadne električne in elektronske opreme pomaga zmanjšati zahteve po surovinah. Odpadne baterije, predvsem tiste, ki vsebujejo litij, in odpadna električna in elektronska oprema vsebujejo dragocene materiale in materiale, ki jih je mogoče reciklirati, in lahko v primeru, da se ne odložijo na način, skladen z okoljem, negativno vplivajo na okolje in zdravje ljudi. Če so v odpadni opremi shranjeni osebni podatki, jih izbrišite.



Pri návrhu vášho akumulátorového fúkača boli prvoradá bezpečnosť, výkon a spoľahlivosť.

ÚČEL POUŽITIA

Akumulátorový fúkač je určený len na používanie vonku, v suchom a dobre osvetlenom prostredí.

Produkt nie je určený na použitie deťmi alebo osobami so zníženými fyzickými, duševnými alebo zmyslovými schopnosťami.

Tento produkt je určený na odľahčenie trávy, ako sú listy, tráva a iné záhradné zvyšky.

Nepoužívajte na žiadne iné účely.

VŠEOBECNÉ BEZPEČNOSTNÉ VÝSTRAHY

△ VAROVANIE! Prečítajte si všetky bezpečnostné výstrahy a pokyny. Pri nedodržaní týchto výstrah a pokynov môže dôjsť k úrazu elektrickým prúdom, požiaru a/alebo závažnému poraneniu. Odložte všetky upozornenia a pokyny použitie v budúcnosti.

△ VAROVANIE! Nikdy nedovoľte používať produkt deťom ani osobám, ktoré nie sú oboznámené s týmto návodom. Miestne platné predpisy môžu obmedzovať dobu použitia kosačky.

ŠKOLENIE

- Pozorne si prečítajte pokyny. Oboznámte sa s ovládacími prvkami a správnou obsluhou produktu.
- Užívateľ alebo obsluha stroja sú zodpovední za nehody alebo škody na majetku a za nebezpečenstvo vzniknuté pri prevádzke stroja.
- Výrobok nepoužívajte, ak ste unavení, chorí alebo pod vplyvom drog, alkoholu či liekov.

PRÍPRAVA

- Niektoré regióny majú nariadenia, ktoré obmedzujú použitie produktu na určité operácie. Poradte sa s miestnym úradom.
- Pri práci s produktom neustále používajte ochranu sluchu. Výrobok je hlasný a ak sa nebudú striktné dodržiavať bezpečnostné opatrenia na obmedzenie vystavenia a redukovania hluku, môže spôsobiť trvalé poškodenie sluchu.

- Pri práci s produktom neustále používajte kompletnú ochranu zraku. Používajte celotvárovú masku na tvár alebo úplne uzavreté ochranné okuliare. Štandardné okuliare alebo slnečné okuliare nie sú primeranou ochranou. Siný prúd vzduchu môže kedykoľvek spôsobiť vymrštenie predmetov vysokou rýchlosťou a tieto sa môžu odraziť od pevných povrchov smerom k obsluhujúcemu.
- Pri práci s produktom vždy používajte pevnú obuv a dlhé nohavice. Nepoužívajte nástroj bosí alebo v otvorených sandáloch. Nenoste odev, ktorý je voľný alebo má voľne visiace šnúry či pútko.
- Nenoste voľný odev, ani šperky, ktoré by sa mohli vťahovať do prívodu vzduchu. Dlhé vlasy zaistite, aby boli nad úrovňou pliec a nedošlo tak k ich zamotaniu do pohyblivých dielov.
- Pred každým použitím skontrolujte, či všetky ovládacie prvky a bezpečnostné zariadenia fungujú správne. Produkt nepoužívajte, ak hlavný spínač nevypína motor.
- S produktom pracujte v odporúčanej polohe a len na pevnom a rovnom povrchu.
- Nepracujte so strojom na dláždenom alebo štrkovom povrchu, kde by vyrážaný materiál mohol spôsobiť poranenie.
- Pred každým použitím vždy skontrolujte kryt, či nie je poškodený. Skontrolujte, či sú ochranné kryty a rukoväte na mieste a správne zaistené. Opatrebované alebo poškodené komponenty vymieňajte v súpravách, aby sa zachovalo vyváženie. Poškodené alebo nečitateľné štítky vymeňte.
- Keď sa v blízkosti nachádzajú iné osoby, najmä deti alebo domáce zvieratá, nepoužívajte nástroj.
- Zo všetkých otvorov na chladiaci vzduch odstraňujte úlomky.
- Pred fúkaním uvoľnite záhradný odpad pomocou hrabli a metly.
- Pred každým použitím vyčistite pracovisko. Odstráňte všetky objekty ako kamene, rozbité sklo, klince, drôty alebo pružiny, ktoré by sa mohli vymrštiť do značnej vzdialenosti následkom vysokej rýchlosti vzduchu.
- Pri dlhodobom alebo zvýšenom používaní môže dôjsť k zraneniam. Pri používaní nástroja príliš dlhé obdobia si vždy doprajte pravidelné prestávky.

POUŽÍVANIE AKUMULÁTORA A STAROSTLIVOSŤ OŇ

- Nabíjajte len s použitím nabíjačky špecifikovanej výrobcom. Nabíjačka, ktorá je vhodná pre jeden typ jednotky akumulátora, môže pri použití s inou jednotkou akumulátora spôsobiť riziko požiaru.
- Používajte len mechanické nástroje so špecificky určenými jednotkami akumulátorov. Pri použití iných jednotiek akumulátora vzniká riziko poranenia a požiaru.
- Keď sa jednotka akumulátora nepoužíva, nedávajte ju do blízkosti iných kovových objektov, ako sú papierové sponky, mince, kľúče, klince, skrutky či iné malé kovové predmety, ktoré by mohli skratovať svorky. Pri skratovaní svoriek akumulátora môže dôjsť k popáleninám alebo požiaru.
- Za nevhodných podmienok, keď by z batérie vytekala kvapalina, predchádzajte kontaktu s ňou. Pri náhodnom kontakte opláchnite vodou. Ak tekutina zasiahne oči, dodatočne vyhľadajte lekársku pomoc. Tekutina vytečená z akumulátora môže spôsobiť podráždenie alebo popáleniny.
- Poškodenú alebo upravenú súpravu batérií alebo náradie nepoužívajte. Poškodené alebo upravené batérie môžu vykazovať nepredvídateľné správanie s následkom požiaru, výbuchu alebo poranenia.
- Súpravu batérií ani náradie nevystavujte účinkom ohňa ani nadmerných teplôt. Vystavenie účinkom ohňa alebo nadmernej teploty nad 130 °C môže spôsobiť výbuch.
- Dodržiavajte všetky pokyny na nabíjanie a súpravu batérií ani náradie nenabíjajte mimo rozsahu teplôt, ktorý je uvedený v pokynoch. Nesprávne nabíjanie alebo nabíjanie pri teplotách mimo uvedeného rozsahu môže poškodiť batériu a zvýšiť riziko vzniku požiaru.

PREVÁDZKA

- So zariadením pracujte len v rozumných hodinách – nie skoro ráno alebo neskoro večer, kedy by to mohlo rušiť ostatných ľudí.
- Nikdy nepracujte so zariadením vo výbušnej atmosfére.
- Nepoužívajte produkt v zlom počasí, najmä ak existuje riziko vzniku bleskov.
- Okolostojace osoby, deti a domáce zvieratá, musia stáť min. 15 m od pracovného priestoru. Ak nejaká osoba vstúpi do pracovného priestoru, zastavte produkt.
- Nepoužívajte výrobok pri slabom osvetlení. Obsluhujúci musí mať jasný výhľad na pracovný priestor, aby mohol identifikovať potenciálne nebezpečenstvo.
- Pri používaní podobných nástrojov v blízkosti sa zvyšuje riziko poranenia sluchu a potenciál pre ostatné osoby, ktoré vstúpia do pracovného priestoru.
- Na svahoch vždy dbajte na pevnú oporu nôh. Choďte krokom, nikdy nebežte.
- Udržujte bezpečný postoj a rovnováhu. Nepreceňujte sa. Preceňovanie sa môže spôsobiť stratu rovnováhy.
- Nikdy nepracujte so zariadením, ktoré má poškodené ochranné vodidlá alebo kryty alebo nemá nasadené bezpečnostné zariadenia.
- Aby ste znížili riziko poranenia spojeného s kontaktom s rotujúcimi dielmi, výrobok vždy vypnite a vyberte z neho súpravu batérií. Skontrolujte, či sa všetky pohyblivé diely úplne zastavili:
 - pred ponechaním výrobku bez dozoru
 - pred odstránením zablokovaní
 - pred kontrolou, čistením alebo prácou na zariadení
 - pred kontrolou výrobku po narazení na cudzí predmet
 - ak zariadenie začne neštandardne vibrovať (ihneď skontrolujte)
- V prípade nehody alebo poškodenia okamžite výrobok vypnite a vyberte z neho súpravu batérií. Nepoužívajte výrobok znovu, pokiaľ nebude úplne skontrolovaný autorizovaným servisným strediskom.
- Zariadenie žiadnym spôsobom neupravujte ani nepoužívajte diely či príslušenstvo, ktoré neodporúča výrobca.
- Ak produkt spadne, utrpí silný náraz alebo začne neštandardne vibrovať, okamžite ho zastavte s skontrolujte, či nedošlo k poškodeniu alebo zistíte príčinu vibrácií. Akékoľvek poškodenie sa musí náležite opraviť alebo vymeniť v autorizovanom servisnom centre.

⚠ VAROVANIE! Výrobok sa môže dodávať s postrojom. Dôkladne nastavte postroj tak, aby

vám pohodlne pomáhal pri nosení hmotnosti produktu.

Oboznámte sa s činnosťou mechanizmu rýchleho uvoľnenia a vyskúšajte si jeho používanie predtým, ako začnete používať zariadenie. Jeho správne použitie môže zabrániť vážnemu poraneniu v prípade ohrozenia. Nikdy cez popruh nenoste ďalšie oblečenie alebo iným spôsobom neobmedzujte prístup k mechanizmu rýchleho uvoľnenia.

BEZPEČNOSTNÉ UPOZORNENIA TÝKAJÚCE SA FÚKAČA

- Noste ochrannú tvárovú masku v prašných podmienkach, aby ste znížili riziko zranenia spojené s vdychnutím prachu.
- V prašnom prostredí mierne navlhčite povrchy.
- Nepoužívajte zariadenie v blízkosti otvorených okien.
- Použite nástavec so širokou dýzou dýchadla, aby prúd vzduchu mohol zaberáť v blízkosti zeme.
- Nesmerujte trysku dýchadla smerom na ľudí alebo zvieratá.
- Do rúrok dýchadla nikdy nekladajte žiadne predmety.
- Nedávajte výrobok navrch alebo blízko uvoľneného odpadu. Do nasávacieho otvoru sa môže vsať sutina, čo by pravdepodobne spôsobilo poškodenie zariadenia.

DOPLNKOVÉ BEZPEČNOSTNÉ VÝSTRAHY PRE BATÉRIU

Aby ste znížili riziko požiaru alebo poškodenia výrobku skratom, nikdy výrobok, akumulátor ani nabíjačku neponárajte do kvapaliny ani nedovoľte, aby sa do nich kvapalina dostala. Korodujúce alebo vodivé kvapaliny, ako je slaná voda, určité chemikálie a bieliace prostriedky alebo výrobky, ktoré obsahujú bielidlo, môžu spôsobiť skrat.

PREPRAVA A SKLADOVANIE

- Pred uskladnením alebo dopravou výrobok vypnite, vyberte z neho súpravu batérií a nechajte ho vychladnúť.

- Z výrobku odstráňte všetok cudzí materiál. Odložte ho na suché a dobre vetrané miesto, na ktoré nemajú prístup deti. Nedávajte zariadenie do blízkosti korózných činidiel, ako sú záhradné chemikálie a rozmrazovacie soli. Výrobok neuchovávajte vonku.
- Pri preprave zaistite produkt pred pohybom alebo pádom, aby nedošlo k poraneniu osôb alebo poškodeniu produktu.

PREPRAVA LÍTIOVÝCH AKUMULÁTOROV

Akumulátory prepravujte v súlade s miestnymi smernicami a nariadeniami.

Keď akumulátory prepravuje tretia strana, dodržiavajte všetky požiadavky na balení a označení. Zabezpečte, aby počas prepravy akumulátory neprišli do kontaktu s inými akumulátormi ani vodivými materiálmi – chráňte obnažené konektory pomocou izolácie, nevodivými viečkami alebo páskou. Neprepravujte akumulátory, ktoré sú prasknuté alebo vytekajú. Ďalšie pokyny zistíte u nasledujúcej spoločnosti.

ÚDRŽBA

- Používajte len originálne náhradné diely, príslušenstvo a nástavce výrobcu. V opačnom prípade môže dôjsť k možnému poraneniu, nedostatočnému výkonu a strate platnosti záruky.
- Údržba vyžaduje extrémnu starostlivosť a znalosti, a musí byť prevádzaná výhradne v autorizovanom servise. Servis výrobku zverte len autorizovanému servisnému stredisku.
- Skontrolujte všetky skrutky, matice v častých intervaloch či sú riadne utiahnuté, aby sa zaistila bezpečná prevádzka produktu. Akýkoľvek poškodený diel sa musí náležite opraviť alebo vymeniť v autorizovanom servisnom centre.
- Prineste produkt to autorizovaného servisného centra na výmenu poškodených alebo nečitateľných štítkov.
- Môžete vykonávať úpravy a opravy popísané v tejto príručke. Pri ostatných

opravách alebo ak potrebujete radu, vyhľadajte pomoc v autorizovanom servisnom centre.

- Po každom použití vyčistite produkt mäkkou suchou tkaninou.

ODSTRÁNENIE UPCHATIA

- Aby ste znížili riziko poranenia spojené s kontaktom s pohyblivými časťami, vždy výrobok vypnite, vyberte z neho súpravu batérií a presvedčte sa, že sa všetky pohyblivé časti úplne zastavili.
- Zložte trubice fúkača, aby ste mohli skontrolovať, či nie je zablokovaný. V prípade potreby vyčistite trubice.
- Pred spustením výrobku nainštalujte rúry fúkača.

OBOZNÁMTE SA S VAŠIM PRODUKTOM

Pozrite stranu 111.

1. Hlavný spínač
2. Rúčka
3. Port na batériu
4. Západka
5. Fúkacia trubica
6. Návod na obsluhu
7. Batéria
8. Nabíjačka

SYMBOLY



Výstražná značka



Pred používaním výrobku si prečítajte a pochopte všetky pokyny. Dodržujte všetky výstrahy a bezpečnostné pokyny.



Používajte chrániče zraku a sluchu.



Nevystavujte daždu ani nepoužívajte vo vlhkom prostredí.



Rotujúce ventilátory. Nedávajte ruky ani nohy do otvorov, keď je produkt spustený.



Všetky okolostojace osoby, najmä deti a domáce zvieratá, musia byť v bezpečnej vzdialenosti od prevádzkovej oblasti.



Garantovaná úroveň hluku

Odpadové batérie a akumulátory a odpadové elektrické a elektronické zariadenia nelikvidujte ako netriedený komunálny odpad. Odpadové batérie a akumulátory a odpadové elektrické a elektronické zariadenia sa musia zbierať separovane. Odpadové batérie, odpadové akumulátory a svetelné zdroje treba z výrobku vybrať. Pokyny na recykláciu a miesta recyklácie zistíte u svojho miestneho orgánu alebo predajcu. Podľa miestnych predpisov môžu mať maloobchodníci povinnosť bezplatne prevziať odpadové batérie a akumulátory a odpadové elektrické a elektronické zariadenia. Váš príspevok k opätovnému použitiu a recyklácii odpadových batérií a akumulátorov a odpadových elektrických a elektronických zariadení pomáha znižovať dopyt po surovinách. Odpadové batérie a akumulátory, konkrétne tie, ktoré obsahujú lítium, a odpadové elektrické a elektronické zariadenia obsahujú cenné a recyklovateľné materiály, ktoré môžu mať nepriaznivý vplyv na životné prostredie a ľudské zdravie, ak sa nelikvidujú ekologicky vhodným spôsobom. Odstráňte prípadné osobné údaje z odpadového zariadenia.



ВГ ПЕРЕВОД ОТ ОРИГИНАЛНИТЕ ИНСТРУКЦИИ

Безопасността, работните характеристики и надеждността са аспектите, на които е отделен най-голям приоритет при проектирането на вашия безжичен уред за обдухване.

ПРЕДНАЗНАЧЕНИЕ

Безжичният уред за обдухване е предназначен само за употреба на открито на сухи и добре осветени места.

Продуктът не е предназначен за използване от деца или от лица с намалени физически, сетивни или умствени способности.

Продуктът е предназначен за издухване на леки отпадъци, включително листа, трева и други градински отпадъци.

Не го използвайте за никакви други цели.

ОБЩИ ПРЕДУПРЕЖДЕНИЯ ЗА БЕЗОПАСНОСТ

⚠ ПРЕДУПРЕЖДЕНИЕ! Прочетете всички предупреждения относно безопасността и всички инструкции. Неспазването на предупрежденията и инструкциите може да доведе до токов удар, пожар и/или сериозни наранявания. Съхранявайте всички предупреждения и инструкции за бъдещи справки.

⚠ ПРЕДУПРЕЖДЕНИЕ! Никога не позволявайте продуктът да бъде използван от деца или от лица, непознати с настоящите инструкции. Местните наредби могат да налагат ограничения за възрастта на оператора.

ОБУЧЕНИЕ

- Прочете инструкциите внимателно. Запознайте се с контролите за управление и правилното използване на продукта.
- Трябва да знаете, че операторът или потребителят е отговорен за причиняването на злополуки или щети на други лица или имущество.

- Не използвайте продукта, ако сте уморени, болни или под влиянието на алкохол, наркотици или лекарства.

ПОДГОТОВКА

- В някои региони има разпоредби, ограничаващи използването на продукта до определени операции. За съвети се обръщайте към местните власти.
- При работа с продукта винаги носете защитни средства за слуха. Продуктът е шумен и ако не спазвате стриктно предпазните мерки за ограничаване на експозицията и за намаляване на шума, това може да доведе до постоянно увреждане на слуха.
- При работа с продукта винаги носете всички необходими защитни средства за очите. Носете маска за цяло лице или напълно затворени предпазни очила. Обикновените или слънчевите очила не представляват надеждна защита. Мощната въздушна струя може да предизвика отхвърчането на предмети с висока скорост, като те могат да рикошират от твърди повърхности към оператора.
- Когато използвате продукта, винаги носете здрави затворени обувки и дълъг панталон. Не използвайте инструмента, ако сте боси или носите отворени сандали. Избягвайте носенето на широки дрехи или дрехи с висящи шнурове или вратовръзки.
- Не носете широки дрехи или украшения, които могат да бъдат захванати във входящия вентилационен отвор. Дългата коса трябва да бъде прибрана на ниво над раменете, за да се избегне нейното заплитане в движещите се части.
- Преди всяка употреба проверявайте дали всички контроли и устройства за безопасност функционират правилно. Не използвайте продукта, ако превключвателят "OFF" ("Изключване") не спира мотора.

- Заемайте правилна позиция при работа с продукта и винаги го поставяйте върху стабилна и равна повърхност.
- Не използвайте тази машина на павирана или чакълеста повърхност, където изхвърлен материал може да причини нараняване.
- Преди използване винаги проверявайте корпуса за повреди. Уверете се, че предпазителите и ръкохватките са поставени на мястото им и са надеждно затегнати. Заменете износените или повредените компоненти заедно, за да запазите баланса. Заменете повредените или нечетими етикети.
- Никога не използвайте инструмента, докато наблизко има хора, особено деца или домашни любимци.
- Дръжте всички охлаждащи вентилационни отвори чисти от отпадъци.
- Разрежете отпадъците с помощта на гребло и метла преди обдухване.
- Винаги почиствайте работното пространство, преди да използвате уреда. Премахвайте всички предмети като камъни, счупени стъкла, пирони, жици или телове, които могат да отхвъркнат на значително разстояние от силната въздушна струя.
- Продължителното използване на инструмента може да доведе до наранявания или влошаване. При използване на инструмента за продължителни периоди от време правете чести почивки.

ИЗПОЛЗВАНЕ И ОБСЛУЖВАНЕ НА ИНСТРУМЕНТА С БАТЕРИЯ

- Презареждайте единствено със зарядното устройство, посочено от производителя. Зарядно устройство, подходящо за зареждане на един вид батерии, може да предизвика риск от пожар, ако бъде използвано за други батерии.
- Използвайте електрически инструменти с батерии единствено със специално предназначенията за тях батерии. Използването на всякакви други батерии

може да създаде риск от нараняване и пожар.

- Когато батерията не се използва, съхранявайте я далеч от други метални обекти, като например кламери, монети, ключове, гвоздеи, гайки или други малки метални обекти, които могат да направят връзка между клемите. Късото съединение от клемите може да доведе до изгаряния или пожар.
- При неправилно използване батерията може да отдели течност; избягвайте контакт. Ако случайно настъпи контакт, промийте с вода. Ако течността влезе в контакт с очите, потърсете незабавно медицинска помощ. Отделената от батерията течност може да причини възпаление или изгаряния.
- Не използвайте акумулаторна батерия или инструмент, които са повредени или променени по някакъв начин. Повредените или променени батерии могат да работят по непредсказуем начин, което да доведе до пожар, взрив или опасност от наранявания.
- Не излагайте акумулаторната батерия или инструмент на огън или прекалено висока температура. Излагането на огън или на температура над 130 °C може да причини взрив.
- Следвайте всички инструкции за зареждане и не зареждайте акумулаторната батерия или инструмента извън температурния диапазон, посочен в инструкциите. Неправилното зареждане или зареждането при температури извън посочения диапазон може да повреди батерията и да увеличи риска от пожар.

РАБОТА

- Работете с машината само в подходящо за това време - извън ранните сутрешни и късните вечерни часове, когато е възможно да пречите на други хора.
- Никога не работете с уреда в експлозивна среда.

- Избягвайте да използвате продукта при лоши метеорологични условия, особено ако има риск от мълнии.
- Дръжте всички странични наблюдатели, деца и домашни животни на разстояние поне 15 метра от работната зона. Спрете продукта, ако някой навлезе в работната зона.
- Не използвайте уреда при слабо осветление. Операторът трябва да има чиста видимост върху работното пространство, за да идентифицира потенциални опасности.
- Ако наблизо се работи с подобни уреди, това увеличава както риска от увреждане на слуха, така и вероятността други хора да навлязат във вашето работно пространство.
- Винаги стъпвайте внимателно и стабилно на стръмни повърхности. Вървете, никога не тичайте, когато косите.
- Заемайте стабилна позиция и пазете баланс. Не се протягайте, за да работите на трудно достижими места. Протягането може да доведе до загуба на равновесие.
- Никога не ползвайте уреда с повредени защити или странични екрани или без монтирани защитни устройства.
- За да се намали рискът от нараняване, свързан с контактуване с въртящи се части, винаги изключвайте продукта и изваждайте акумулаторната батерия. Уверете се, че всички движещи се части са спрели напълно:
 - преди оставяне на изделието без надзор
 - преди почистване на запушвания
 - преди проверка, почистване или работа по уреда
 - преди проверка на продукта след удар с чуждо тяло
 - ако уредът започне да вибрира неестествено (проверете незабавно)
- В случай на неизправност или повреда изключете и свалете акумулаторната батерия. Не работете с продукта отново,

докато той не премине щателна проверка в оторизиран сервизен център.

- Не модифицирайте машината по никакъв начин и не използвайте части и принадлежности, които не са препоръчани от производителя.
- Ако продуктът бъде изпуснат, претърпи силен удар или започне да вибрира неестествено, незабавно изключете продукта и проверете за повреди или се опитайте да идентифицирате причината за вибрирането. Поправките и замените на части при повреда трябва да се извършват от оторизиран сервизен център.

⚠ ПРЕДУПРЕЖДЕНИЕ! Продуктът може да е доставен с ремък в комплекта. Внимателно регулирайте презрамката, така че да ви е удобно, докато поддържате тежестта на продукта.

Запознайте се с механизма за бързо освобождаване и упражнявайте използването му, преди да започнете да работите с машината. Правилното използване на този механизъм може да предотврати сериозно нараняване при възникване на извънредна ситуация. Никога не носете допълнителни дрехи над колана и не ограничавайте достъпа по друг начин до механизма за бързо освобождаване.

ПРЕДУПРЕЖДЕНИЯ ЗА БЕЗОПАСНОСТ ЗА ДУХАЛКАТА ЗА ЛИСТА

- При работа в прашни условия носете филтърна маска, за да се намали опасността от заболявания на дихателните пътища в следствие на вдишването на прах.
- Навлажнявайте леко повърхностите при работа в прашни условия.
- Не работете с машината в близост до отворени прозорци.
- Използвайте пълната дължина на приставката за обдухване, за да може въздушният поток да преминава близо до земята и да обдухва ефективно.

- Не насочвайте дюзата за обдуване срещу хора или животни.
- Никога не поставяйте предмети вътре в обдуващите тръби.
- Не оставяйте продукта върху или близо до хлабави отломки. Възможно е входящият вентилационен отвор да засмуче отпадъците и те да повредят машината.

ДОПЪЛНИТЕЛНИ ПРЕДУПРЕЖДЕНИЯ ЗА БЕЗОПАСНОСТ ЗА БАТЕРИЯТА

За да намалите риска от пожар, физическо нараняване и повреда на продукта поради късо съединение, никога не потапяйте продукта, комплекта батерии или зарядното устройство в течност и не позволявайте в тях да проникне течност. Течностите, предизвикващи корозия или провеждащи електричество, като солена вода, определени химикали, избелващи вещества или продукти, съдържащи избелващи вещества, могат да предизвикат късо съединение.

ТРАНСПОРТИРАНЕ И СЪХРАНЕНИЕ

- Изключете продукта, извадете акумулаторната батерия и го изчакайте да се охлади, преди да го приберете за съхранение или да го транспортирате.
- Почистете продукта от всички чужди частици. Съхранявайте я на хладно, сухо и добре проветрявано място, което е недостъпно за деца. Дръжте продукта далече от разяждащи вещества, като например градински химикали и размразяващи соли. Не съхранявайте продукта на открито.
- Когато транспортирате продукта, го обезопасете така, че да не може да се движи или да падне, защото това може да доведе до евентуални наранявания на хора или повреди по продукта.

ТРАНСПОРТИРАНЕ НА ЛИТИЕВИ БАТЕРИИ

Транспортирайте батериите в съответствие с местните и национални постановления и разпоредби.

Спазвайте всички специални изисквания за пакетиране и етикетирание, когато транспортирате батерии чрез трето лице. Уверете се, че батериите не влизат в контакт с други батерии или проводими материали по време на транспортиране, като предпазите откритите конектори с изолация, непроводими капачета или лента. Не транспортирайте батерии, които са спукани или текат. Свържете се със следната компания за допълнителен съвет.

ПОДДРЪЖКА

- Използвайте само оригинални резервни части, аксесоари и приставки от производителя. В противен случай може да се влоши работата на инструмента или да получите тежки контузии, а гаранцията ви ще стане невалидна.
- Сервизното обслужване изисква изключително внимание и специфични познания и следва да бъде извършвано само от квалифициран техник. Продуктът трябва да бъде ремонтиран само в упълномощен сервиз.
- Периодично проверявайте дали всички гайки, болтове и винтове са правилно затегнати, за да сте сигурни, че продуктът е в изправност. Всяка повредена част трябва да бъде поправена или заменена от упълномощен сервизен център.
- Занесете продукта в оторизиран сервизен център, ако е необходима замяна на повредени или нечетливи етикети.
- Можете да правите настройки и поправки, описани в това ръководство на потребителя. За други поправки или съвети потърсете съдействие от оторизиран сервизен център.
- Всеки път след употреба почиствайте продукта с мека и суха кърпа.

ИЗЧИСТВАНЕ НА ЗАПУШВАНЕ

- За да намалите риска от наранявания, причинени от контакт с въртящи се части, винаги изключвайте продукта и се

уверете, че всички движещи се части са спрели напълно.

- Свалете тръбите за обдуване, за да проверите за запушване. Отпуснете тръбите, ако е необходимо.
- Преди да стартирате уреда, монтирайте отново тръбите за обдуване.



Гарантирано ниво на шум

Не изхвърляйте отпадъците от батерии, електрическо и електронно оборудване като несортирани битови отпадъци. Отпадъците от батерии и електрически и електронно оборудване трябва да се събират отделно. Отпадъците от батерии, акумулатори и светлинни източници трябва да бъдат премахнати от оборудването. За съвети относно рециклирането и пункта за събиране се обърнете към вашите местни власти или търговски представители. Съгласно местните разпоредби търговците на дребно трябва да бъдат задължени да приемат обратно отпадъци от батерии и електрическо и електронно оборудване. Вашият принос за повторната употреба и рециклирането на отпадъци от батерии и електрическо и електронно оборудване помага за намаляване на търсенето на суровини. Отпадъците от батерии, особено съдържащите литий, и електрическо и електронно оборудване съдържат ценни, подходящи за рециклиране материали, които може да имат неблагоприятно въздействие върху околната среда и човешкото здраве, ако не бъдат изхвърлени по екологичен начин. Ако на отпадъчното оборудване има лични данни, изтрийте ги.

ОПОЗНАЙТЕ ВАШИЯ ПРОДУКТ

Вж. страница 111.

1. Спусък за включване/изключване
2. Ръкохватка
3. Гнездо за батерията
4. Ключалка
5. Обдуваща тръба
6. Ръководство за оператора
7. Батерия
8. Зарядно устройство

СИМВОЛИ



Предупреждение относно безопасността



Прочетете и разберете всички инструкции, преди да използвате продукта. Следвайте всички предупреждения и инструкции за безопасност.



Носете средства за защита на зрението и слуха.



Не излагайте на дъжд и на влажни условия.



Въртящи се перки. Дръжте крайниците си далече от отворите, докато продуктът работи.



Дръжте всички странични лица, особено деца и домашни любимци, на безопасно разстояние от работната зона.



Головними міркуваннями при розробці цієї бездротової повітродувки були безпека, ефективність та надійність.

ПЕРЕДБАЧУВАНОМУ ВИКОРИСТАННІ

Бездротова повітродувка призначена виключно для використання поза приміщенням в умовах мінімальної вологості та достатнього освітлення.

Продукт не призначений для використання дітьми або особами з обмеженими фізичними, розумовими або сенсорними можливостями.

Прилад призначений для видування легкого сміття, включаючи листя, траву та інше садове сміття.

Не використовуйте для будь-яких інших цілей.

ЗАГАЛЬНІ ЗАХОДИ БЕЗПЕКИ

⚠ УВАГА! Прочитайте всі правила безпеки та інструкції. Недотримання попереджень та інструкцій може призвести до ураження електричним струмом, пожежі та / або серйозної травми. Збережіть всі інструкції і вказівки для майбутнього використання.

⚠ УВАГА! Ніколи не дозволяйте дітям або людям, не знайомим з цими інструкціями, використовувати продукт. Місцеве законодавство може обмежувати вік оператора.

ПІДГОТОВКА

- Уважно прочитайте інструкцію. Добре ознайомтеся з органами управління та правильним використанням машини.
- Майте на увазі, що оператор або користувач несе відповідальність за нещасні випадки або пошкодження спричинені іншим особам або їх майну.
- Не працюйте з виробом, коли ви втомлені або знаходитесь під дією наркотиків, алкоголю або медикаментів.

ПІДГОТОВКА

- У деяких регіонах існують правила, що обмежують використання продукту для деяких операцій. Перевірте з вашим місцевим органом влади для консультацій.
- Носіть захист органів слуху у весь час, працюючи з продуктом. Рівень шуму при роботі виробу високий, і це може

призвести до необоротного пошкодження слуху, якщо не вжити відповідних заходів зі зниження впливу та зменшення шуму.

- Носіть захист для очей увесь час під час роботи з продуктом. Надягайте маску, яка закриває обличчя повністю, або захисний щиток. Нормальні окуляри або сонцезахисні окуляри не є адекватним захистом. Об'єкти можуть бути кинуті на високій швидкості потужним струменем повітря в будь-який час і можуть відскочити від жорстких поверхонь до оператора.
- Під час роботи з продуктом, завжди носіть міцне взуття і довгі штани. Не експлуатуйте машину босоніж або у відкритих сандалях. Уникайте носити вільний одяг, або з висячими шнурками або зав'язками.
- Не одягайте вільний одяг або ювелірні прикраси, які можуть бути втягнуті у повітроприймальний отвір. Зафіксуйте довге волосся вище рівня плеча, щоб запобігти заплутуванню в будь-яких рухомих частинах.
- Перед кожним використанням переконайтеся, що всі елементи управління і безпеки функціонують правильно. Не використовуйте машину, якщо вимикач "ВИМК" не зупиняє машину.
- Використовуйте продукт в рекомендованій позиції, і тільки на твердій, рівній поверхні.
- Не працюйте з вибром на асфальтованому або гравійному покритті, де викинутий матеріал може привести до травми.
- Перед кожним використанням завжди перевіряйте корпус на наявність пошкоджень. Переконайтеся, що захисти і ручки на місці і надійно закріплені. Замініть зношені або пошкоджені компоненти, для збереження балансу. Замініть пошкоджені або нечитабельні етикетки.
- Ніколи не використовуйте продукт, коли люди, особливо діти, або домашні тварини знаходяться неподалік.
- Тримайте всі повітрязабірники охолодження вільними від сміття.
- Перш ніж використовувати повітродувку, зменшіть обсяг сміття за допомогою граблів та мітли.
- Очистіть робочу зону перед кожним використанням. Видаліть всі предмети, такі як камені, розбите скло, цвяхи, дроти або

мотузки, які можуть бути відкинуті на значну відстань потужним струменем повітря.

- Тривале використання інструменту може призвести до травмування або загострення існуючої травми. При використанні приладу протягом тривалого періоду часу, часті перерви.

ВИКОРИСТАННЯ І ДОГЛЯД ІНСТРУМЕНТУ НА БАТАРЕЙКАХ

- Перезаряджати тільки за допомогою зарядного пристрою, зазначеного виробником. Зарядний пристрій, що підходить для одного типу акумуляторів, може створити ризик загоряння при використанні з іншим акумуляторним блоком.
- Використовуйте електроінструменти тільки з призначеними для них акумуляторами. Використання будь-яких інших акумуляторів, може створити ризик отримання травми і пожежі.
- Коли акумуляторна батарея не використовується, тримайте її подалі від металевих предметів, таких як кліпси, монети, ключі, цвяхи, гвинти або інші невеликі металеві предмети, які можуть замкнути клему. Коротке замикання контактів акумулятора може призвести до опіків або пожежі.
- У важких умовах експлуатації, рідина може бути випущена з батареї; уникайте контакту. При випадковому контакті змийте водою. Якщо рідина потрапила в очі, зверніться за медичною допомогою. Рідина з акумулятора може викликати роздратування або опіки.
- Заборонено використовувати акумулятор або пристрій, що були пошкоджені або модифіковані. Використання пошкоджених або модифікованих акумуляторів може мати непередбачувані наслідки, серед яких: виникнення пожежі, вибуху та ризик травмування.
- Уникайте загоряння та високої температури акумулятору або пристрою. Загоряння або висока температура понад 130 °C можуть стати причиною вибуху.
- Дотримуйтесь усіх інструкцій щодо заряджання пристрою та уникайте заряджання поза діапазоном температур, що позначені у інструкції. Неправильне заряджання або заряджання при температурі, поза

межами позначеними в інструкції, може пошкодити акумулятор та підвищити ризик виникнення пожежі.

ФУНКЦІОНУВАННЯ

- Використовуйте продукт тільки в розумні години - не рано вранці або пізно вночі, коли люди можуть бути стривожені.
- Не використовуйте виріб у вибухонебезпечній атмосфері.
- Уникайте використання продукту в поганих погодних умовах, особливо, коли є ризик удару блискавки.
- Тримайте перехожих, дітей і домашніх тварин на відстані 15м від місця експлуатації. Якщо будь-хто входить у зону роботи машини, зупиніть її.
- Не використовуйте при поганому освітленні. Оператор потрібне чіткий огляд робочої області, щоб визначити потенційні небезпеки.
- Операції з аналогічними інструментами неподалік збільшує ризик травми слуху і можливість потрапляння інших осіб у робочу зону.
- Завжди будьте впевнені в опорі на схилах. Ходіть, ніколи не бігайте.
- Тримайте міцну опору і рівновагу. Не тягніться. Намагання дотягнутися можуть призвести до втрати рівноваги.
- Ніколи не використовуйте пристрій з пошкодженими захисними кожухами, щитками або без запобіжних пристроїв.
- Завжди вимикайте пристрій та виймайте акумулятор, щоб знизити ризик травмування рухомими частинами пристрою. Переконайтеся, що всі рухомі частини зупинилися:
 - до того, як залишити продукт без нагляду
 - перед очищенням закупорення
 - перед перевіркою, чищенням, або роботі на продукті
 - перш ніж обстежувати виріб після зіткнення з перешкодою
 - якщо пристрій вібрує надто сильно (негайно перевірте)
- У разі нещасного випадку або пошкодження, негайно вимкніть пристрій та від'єднайте акумуляторну батарею. Не використовуйте прилад знову до проведення його повної перевірки в авторизованому сервісному центрі.

- Не змінюйте продукт в будь-яким чином або не використовуйте деталі та аксесуари, які не рекомендовані виробником.
- Якщо продукт впав, постраждав від важкого впливу або починає вібрувати, негайно зупиніть обладнання та перевірте наявність пошкоджень або визначте причину вібрації. Будь-яке пошкодження має бути правильно відремонтовано або замінено в авторизованому сервісному центрі.

⚠ УВАГА! Виріб може постачатися з ременями. Ретельно відрегулюйте ремінь, який допоможе вам утримати вагу виробу.

Ідентифікуйте механізм швидкого вивільнення та попрактикуйтеся у його використанні, перш ніж почати використовувати продукт. Його правильне використання може запобігти серйозним травмам в разі виникнення надзвичайної ситуації. Забороняється поверх ременів надягати додатковий одяг або іншим чином перекривати доступ до швидкознімного механізму.

ПОПЕРЕДЖЕННЯ ЩОДО БЕЗПЕЧНОГО ВИКОРИСТАННЯ В РЕЖИМІ ПОВІТРОДУВКИ

- Носіть фільтруючу маску для обличчя в запилених умовах, щоб знизити ризик травми, пов'язаної з вдиханням пилу.
- Злегка змочіть поверхню в запилених умовах.
- Не використовуйте виріб поблизу відкритих вікон.
- Використовуйте повне розширення сопла воздуходувки так, щоб потік повітря міг працювати близько до землі і ефективно.
- Не спрямовуйте сопло повітродувки в напрямку людей або домашніх тварин.
- Ніколи не вставляйте предмети всередину труб повітродувки.
- Не розміщуйте пристрій на або поряд з силючим сміттям. Сміття може всмоктатися в повітрозабірник, в результаті чого можливе пошкодження виробу.

ДОДАТКОВІ ПОПЕРЕДЖЕННЯ З ТЕХНІКИ БЕЗПЕКИ ЩОДО ВИКОРИСТАННЯ АКУМУЛЯТОРІВ

Для зменшення ризику загорання, травмування та пошкодження пристрою у разі короткого замикання ніколи не

занурюйте виріб, акумуляторну батарею або зарядний пристрій у рідину та не допускайте потрапляння рідини всередину. Корозійні і струмопровідні рідини, такі як солоний розчин, певні хімікати, вибілювальні засоби або продукти, що їх містять, можуть призвести до короткого замикання.

ТРАНСПОРТУВАННЯ ТА ЗБЕРІГАННЯ

- Перед зберіганням або чищенням вимкніть пристрій, вийміть акумулятор та дайте пристрою охолонути.
- Почистіть всі сторонні матеріали з продукту. Зберігайте продукт в прохолодному, сухому і добре провітрюваному місці, недоступному для дітей. Зберігати подалі від агресивних агентів, таких як садові хімікати і солей проти обледеніння. Не зберігайте пристрій на відкритому повітрі.
- Для транспортування, забезпечіть машину від руху або падіння, щоб запобігти травмі людей або пошкодження машини.

ПЕРЕВЕЗЕННЯ ЛІТІЄВИХ БАТАРЕЙ

Здійсніть транспортування акумуляторної батареї відповідно до місцевих та загальнодержавних норм і правил.

Дотримуйтесь всі спеціальні вимоги до упаковки і маркування при транспортуванні батареї третьою стороною. Переконайтеся, що під час транспортування акумулятор не вступає в контакт з іншими акумуляторними батареями або струмопровідними матеріалами та захистіть відкриті роз'єми ізоляційними непровідними кришками або стрічкою. Чи не переносьте акумулятори, тріснуті або бігу. Зв'язатися з нами для отримання подальших рекомендацій.

ТЕХНІЧНЕ ОБСЛУГОВУВАННЯ

- Використовуйте тільки оригінальні запасні частини, аксесуари та обладнання від виробника. Невиконання цієї вимоги може привести до можливої травми, поганої продуктивності та може призвести до втрати гарантії.
- Обслуговування вимагає крайньої обережності і знання і повинно бути виконане тільки кваліфікованим фахівцем. Звертайтеся тільки до авторизованого сервісного центру.
- Перевірте всі гайки, болти і гвинти після короткого проміжка часу на правильну

герметичність, щоб забезпечити продукт у безпечному робочому стані. Будь-яка пошкоджена деталь, має бути правильно відремонтована або замінена в авторизованому сервісному центрі.

- Принесіть продукт в авторизований сервісний центр для заміни пошкоджених або нечитаємих етикеток.
- Ви можете зробити регулювання та ремонт, описані в цьому посібнику користувача. Для інших ремонтних робіт, зверніться до авторизованого сервісного агента.
- Після кожного використання, очистіть виріб м'якою сухою тканиною.

УСУНЕННЯ БЛОКУВАННЯ

- Щоб знизити ризик травмування рухомими частинами пристрою, завжди вимикайте пристрій, виймайте акумулятор і слідкуйте, щоб усі рухомі частини повністю зупинилися.
- Від'єднайте трубку повітродувки та перевірте її на предмет закупорки. Прочистіть трубки, якщо потрібно.
- Перш, ніж вмикати повітрядувку, встановіть труби.

ЗНАЙ СВІЙ ПРОДУКТ

Дивіться сторінку 111.

1. Трігер Увімкнено/Вимкнено
2. Ручка
3. Гніздо для акумулятора
4. Запор
5. Повітродмухальна трубка
6. Інструкція з експлуатації
7. Акумуляторна батарея
8. Зарядний пристрій



Ротаційні вентилятори. Тримайте руки і ноги подалі від отворів у той час як продукт працює.



Усі перехожі, особливо діти та домашні тварини, мають знаходитися на безпечній відстані від робочої зони.



Гарантований рівень звукової потужності

Не викидайте старі акумулятори, старе електричне та електронне устаткування разом із несорттованим побутовим сміттям. Старі акумулятори, старе електричне та електронне устаткування збираються окремо. З устаткування необхідно зняти старі батареї, акумулятори та джерела світла. За інформацією стосовно утилізації або місць збору звертайтеся до місцевої влади або дилера. Місцеве законодавство може зобов'язувати продавців безкоштовно приймати старі акумулятори та електричне й електронне устаткування. Ваш внесок до справи повторного використання та переробки старих акумуляторів, електричного та електронного устаткування зменшує потребу у сировині. В акумуляторах, особливо літєвих, і старому електричному та електронному устаткуванні містяться цінні, придатні для переробки матеріали, і якщо утилізація такого устаткування проводиться у неекологічний спосіб, це негативно впливає на навколишнє середовище та людське здоров'я. Видаліть персональні дані з устаткування, яке передається на переробку.



СИМВОЛИ



Попередження



Перед використанням пристрою прочитайте та зрозумійте всі інструкції. Дотримуйтесь всіх попереджень та інструкцій з безпеки використання.



Носіть захист очей і вух.



Не піддавайте впливу дощу або вогкому стану.

Kablosuz yaprak üfleme makinesinin tasarımında emniyet, performans ve güvenilirliğe öncelik verilmiştir.

KULLANIM AMACI

Kablosuz yaprak üfleme makinesi sadece kuru ve iyi aydınlatılmış dış mekanlarda kullanılmak üzere geliştirilmiştir.

Bu ürün çocuklar veya fiziksel, zihinsel veya duyuşsal becerileri kısıtlı kişiler tarafından kullanıma uygun değildir.

Bu ürün yaprak, ot ve diğer bahçe süprüntüleri de dahil hafif artıkları üfleyerek temizlemeye yöneliktir.

Başka herhangi bir amaçla kullanmayın.

GENEL GÜVENLİK UYARILARI

⚠ UYARI! Tüm güvenlik uyarılarını ve tüm talimatları okuyun. Uyarılara ve talimatlara uymamak elektrik çarpması, yangın ve/veya ciddi yaralanma ile sonuçlanabilir. İleride başvurmak üzere tüm uyarıları ve talimatları saklayın.

⚠ UYARI! Hiçbir zaman çocukların veya talimatları bilmeyen kişilerin ürünü kullanmasına izin vermeyin. Yerel yönetmelikler kullanıcının yaşına kısıtlama getirebilir.

EĞİTİM

- Talimatları dikkatlice okuyun. Ürünün kontrollerini ve nasıl doğru şekilde kullanılacağına öğrenin.
- Kazalardan ve diğer insanlara veya mallarına zarar verebilecek tehlikelerden kullanıcının sorumlu olduğunu unutmayın.
- Ürünü yorgun veya hastayken ya da uyuşturucu, alkol veya ilaç etkisi altındayken asla kullanmayın.

HAZIRLIK

- Bazı bölgeler ürünün bazı çalışmalarda kullanımına kısıtlama getiren yönetmeliklere sahiptir. Tavsiye için bölgenizdeki yetkili merciyeye başvurun.
- Ürünü kullanırken her zaman kulak tıkacı takın. Ürün gürültüdüdür ve maruz kalışınızı

sınırlandırmaya ve gürültüyü azaltmaya yönelik önlemlere sıkıca uymamak işitmenizde kalıcı hasarla sonuçlanabilir.

- Bu ürünü kullanırken her zaman siperli koruyucu gözlük takın. Tam yüz maskesi veya tamamen kapalı gözlükler takın. Normal gözlükler veya güneş gözlükleri uygun koruma sağlamaz. Güçlü hava jeti nedeniyle nesnelere her zaman yüksek hızda fırlatabilir ve sert yüzeylerden kullanıcıya doğru sekebilir.
- Ürünü kullanırken her zaman dayanıklı ayakkabılar ve uzun pantolon giyin. Ürünü çıplak ayakla veya üstü açık terlik giyerken kullanmayın. Üzerinize bol olan veya iplerin veya bağcıkların sarktığı kıyafetler giymekten kaçının.
- Hava girişinin içine çekilebilecek bol kıyafetler giymeyin veya takı takmayın. Saçlarınız uzunsa hareketli parçalara dolaşmasını önlemek için omuz seviyesinin üzerinde toplayın.
- Her kullanım öncesi tüm kontrollerin ve güvenlik cihazlarının doğru şekilde çalıştığından emin olun. Eğer “kapalı” anahtarı ürünü durdurmuyorsa ürünü kullanmayın.
- Ürünü önerilen pozisyonda ve sadece sağlam, düz bir yüzey üzerinde kullanın.
- Ürünü fırlayan maddelerin yaralanmaya neden olabileceği asfalt kaplı veya çakıllı bir yüzeyde kullanmayın.
- Her kullanım öncesi gövdeyi her zaman hasara karşı inceleyin. Korumaların ve kulpların yerinde ve uygun şekilde sabitlendiğinden emin olun. Dengeyi korumak için aşınmış veya hasarlı bileşenleri takım olarak değiştirin. Hasarlı veya okunaksız etiketleri değiştirin.
- Ürünü hiçbir zaman yakın insanlar, özellikle çocuklar veya hayvanlar varken kullanmayın.
- Tüm soğuk hava girişlerini birikintiden temizleyin.
- Üflemeye önce birikintiyi gevşetmek için tırmık ve süpürge kullanın.
- Her kullanım öncesi çalışma alanını temizleyin. Yüksek hızlı hava nedeniyle

oldukça uzak mesafelere üflenebilecek taş, kırık cam, çivi, tel veya ip gibi tüm nesnelere temizleyin.

- Ürünün uzun süre kullanılması nedeniyle yaralanmalar meydana gelebilir veya kötüleşebilir. Herhangi bir alet uzun süre kullanıldığında düzenli molalar verdiğinizden emin olun.

PILLI ALET KULLANIMI VE BAKIMI

- Sadece üretici tarafından belirtilen şarj cihazı ile şarj edin. Tek bir pil takımı tipine uygun bir şarj cihazı başka bir pil takımı ile birlikte kullanıldığında yangın riski oluşturabilir.
- Elektrikli aletleri sadece özel olarak belirtilmiş pil takımları ile birlikte kullanın. Başka bir pil takımı kullanmak yaralanma ve yangın riski oluşturabilir.
- Pil takımı kullanılmadığı zaman ataş, bozuk para, anahtar, çivi, vida ve diğer metal nesnelere gibi bir terminalden diğerine bağlantı oluşturabilecek diğer metal nesnelere uzak tutun. Pil terminallerinin birlikte kısa devre yapması yanığa veya yangına neden olabilir.
- Kötü koşullarda pilden sıvı boşalabilir; temas etmekten kaçının. Eğer kazara temas ederseniz temas eden yeri suyla yıkayın. Eğer sıvı gözlerinize temas ederse ek olarak tıbbi yardım alın. Pilden boşalan sıvı tahrişe veya yanıklara neden olabilir.
- Hasar görmüş ya da değiştirilmiş pil paketi ya da aleti kullanmayın. Hasar görmüş ya da değiştirilmiş piller yangın, patlama ya da yaralanma riskine yol açabilecek beklenmeyen davranış sergileyebilir.
- Pil paketi ya da aleti ateş ya da aşırı ısıya maruz bırakmayın. Ateş ya da 130 °C üzerinde ısıya maruz bırakıldığında patlama olabilir.
- Şarj işlemine ilişkin tüm talimatlara uyun ve pil paketi ya da aleti talimatlarda belirtilen sıcaklık aralığı dışında şarj etmeyin. Belirtilen sıcaklık aralığı dışında şarj edildiğinde pil zarar görebilir ve yangın riski artar.

KULLANIM

- Ürünü sadece makul saatlerde kullanın – insanların rahatsız olabileceği sabah çok erken veya gece geç saatlerde kullanmayın.
- Ürünü hiçbir zaman patlayıcı atmosferde kullanmayın.
- Ürünü kötü hava koşullarında, özellikle yıldırım düşme riski varken kullanmaktan kaçının.
- Çevrenizdeki kişileri, çocukları ve evcil hayvanları çalışma alanından 15 m uzaklaştırın. Eğer herhangi biri bu alana girerse ürünü durdurun.
- Kötü aydınlatmalı koşullarda kullanmayın. Kullanıcının potansiyel tehlikeleri belirlemesi için çalışma alanını net olarak görmesi gerekir.
- Yakında benzer aletler kullanmak hem işitme kaybı riskini hem de diğer insanların çalıştığınız alana girme riskini artırır.
- Eğimli yerlerde yere her zaman sağlam bastığınızdan emin olun. Yürüyün, hiçbir zaman koşmayın.
- Yere sağlam basın ve dengede durun. Yukarıya doğru erişmeye çalışmayın. Yukarıya erişmeye çalışmak dengenizi kaybetmenize neden olabilir.
- Ürünü bozuk muhafaza ya da kalkanlar ile ya da emniyet cihazları yerinde olmadan asla kullanmayın.
- Döner parçalara temastan kaynaklanabilecek yaralanma riskini azaltmak için her zaman ürünü kapatın ve pil paketini çıkarın. Tüm hareketli parçaların tamamen durduğundan emin olun:
 - ürünün yanından ayrılmadan önce
 - tıkanıklığı temizlemeden önce
 - ürünü kontrol etme, temizleme ve ürün üzerinde çalışmadan önce
 - yabancı bir nesne çarptıktan sonra ürünü incelemeyen önce
 - eğer ürünler anormal şekilde titremeye başlarsa (derhal inceleyin)
- Bir kaza ya da arıza durumunda ürünü derhal durdurun ve pil takımını çıkarın.

Yetkili servis merkezi tarafından kontrol edilene dek ürünü tekrar çalıştırmayın.

- Üründe herhangi bir değişiklik yapmayın veya üretici tarafından önerilmeyen parçalar ve aksesuarlar kullanmayın.
- Eğer ürün düşerse, ağır darbe alırsa veya anormal şekilde titremeye başlarsa ürünü derhal durdurun ve hasara karşı inceleyin veya titreşimin nedenini belirleyin. Her tür hasar yetkili servis merkezi tarafından uygun şekilde onarılmalı veya değiştirilmelidir.

△ **UYARI!** Ürün bir emniyet kemeriyle birlikte tedarik edilebilir. Kayış tertibatını ürünün ağırlığını desteklemenizde rahatça yardımcı olacak şekilde ayarlayın.

Hızlı serbest bırakma mekanizmasını tanıyın ve ürünü kullanmaya başlamadan önce bunu kullanarak pratik yapın. Doğru şekilde kullanılması acil bir durumda ciddi yaralanmaları önleyebilir. Asla emniyet kemerinin üzerine başka kıyafet giymeyin veya hızlı açma mekanizmasına erişimi başka bir şekilde sınırlandırmayın.

ÜFLEME MAKİNESİ GÜVENLİK UYARILARI

- Tozlu koşullarda tozun solunmasıyla ilişkili yaralanma riskini azaltmak için filtrelili bir yüz maskesi takın.
- Tozlu koşullarda yüzeyleri hafifçe nemlendirin.
- Ürünü açık pencerelerin vb. yanında kullanmayın.
- Hava akışının yere yakın şekilde çalışması için üfleyici düzesini yam uzatarak kullanın.
- Üfleyici düzesini insanlara veya evcil hayvanlara doğru tutmayın.
- Üfleyici borularının içine hiçbir zaman hiçbir nesne koymayın.
- Ürünü gevşek döküntülerin tepesine ya da yakınına yerleştirmeyin. Birikinti hava girişinden emilebilir ve olası ürün hasarına neden olabilir.

PİL İÇİN EK GÜVENLİK UYARILARI

Kısa devreden kaynaklanacak yangın, yaralanma ve maddi hasar risklerini azaltmak için ürünü, pil paketini ya da şarj cihazını asla

bir sıvıya batırmayın, ya da içine sıvı girmesine izin vermeyin. Tuzlu su, belirli kimyasallar, ağartıcı madde veya ağartıcı madde içeren ürünler gibi korozif veya iletken sıvılar kısa devreye neden olabilir.

TAŞIMA VE DEPOLAMA

- Nakletmeden ya da depolamadan önce ürünü kapatın, pil paketini çıkarın ve ürünün soğumasını bekleyin.
- Üründeki tüm yabancı maddeleri temizleyin. Çocukların erişemeyeceği serin, kuru ve iyi havalandırılan bir yerde depolayın. Bahçe kimyasalları ve buz çözücü tuzlar gibi korozif maddelerden uzak tutun. Ürünü açık havada depolamayın.
- Taşınacağı zaman insanların yaralanmasını veya ürünün zarar görmesini önlemek amacıyla ürünü hareket etmemesi veya düşmemesi için sabitleyin.

LİTYUM BATARYALARIN TAŞINMASI

Bataryayı yerel ve ulusal hükümlere ve yönetmeliklere uygun şekilde taşıyın.

Bataryalar üçüncü bir şahıs tarafından taşındığında ambalaj ve etiket üzerindeki tüm özel koşullara uyun. Açıktaki konnektörleri yalıtkan, iletken olmayan başlıklar veya bant ile koruyarak hiçbir bataryanın taşıma sırasında diğer bataryalarla veya iletken malzemelerle temas etmediğinden emin olun. Çatlak veya sızdıran bataryaları taşımayın. Ek tavsiye için nakliye şirketi ile birlikte kontrol edin.

BAKIM

- Sadece orijinal üreticinin yedek parçalarını, aksesuarlarını ve ek parçalarını kullanın. Aksine davranış olası yaralanmaya yol açabilir, yetersiz performansla neden olabilir ve garantinizin geçersiz olmasıyla sonuçlanabilir.
- Servis çalışması en yüksek düzeyde dikkat ve bilgi gerektirir ve sadece nitelikli bir servis teknisyeni tarafından yapılmalıdır. Ürünün servis işlemlerini sadece yetkili bir servis merkezinde yaptırın.
- Ürünün güvenli çalışma durumunda olduğundan emin olmak için tüm

somunların, civataların ve vidaların doğru sıklıkta sık aralıklarla takıldığını kontrol edin. Hasarlı her tür parça yetkili servis merkezi tarafından uygun şekilde onarılmalı veya değiştirilmelidir.

- Zarar görmüş veya okunmaz durumdaki etiketleri değiştirmek için yetkili bir servis merkezine gönderin.
- Bu kılavuzda açıklanan ayarları ve onarımları yapabilirsiniz. Diğer onarımlar için yetkili servis temsilcisini arayın.
- Her kullanım sonrası ürünü yumuşak ve kuru bir bezle temizleyin.

TIKANIKLIĞIN GIDERİLMESİ

- Hareketli parçalara temastan kaynaklanabilecek yaralanma riskini azaltmak için her zaman ürünü kapatın, batarya takımını çıkarın ve tüm hareketli parçaların tamamen durduğundan emin olun.
- Tıkanıklık olup olmadığını kontrol etmek için üfleme borularını çıkarın. Gerekliyorsa, boruları temizleyin.
- Ürünü başlatmadan önce üfleme borularını tekrar takın.



Ürünü yağmura veya nemli koşullara maruz bırakmayın.



Döner fanlar. Ellerinizi ve ayaklarınızı ürün çalışırken açık kısımlardan uzak tutun.



Başta çocuklar ve evcil hayvanlar olmak üzere herkesin, çalışma alanından güvenli bir mesafe kadar uzakta olmasını sağlayın.



Güvenceli ses gücü seviyesi

Atık pilleri, atık elektrikli ve elektronik ekipmanı, sınıflandırılmamış belediye atığı olarak bertaraf etmeyin. Atık piller ile atık elektrikli ve elektronik ekipmanlar ayrıca toplanmalıdır. Atık pil, akü ve ışık kaynakları ekipmandan çıkarılmalıdır. Yerel otorite veya satıcıdan geri dönüşüm tavsiyesi alın ve toplama noktasını öğrenin. Yerel düzenlemelere göre perakendecilerin atık piller ile atık elektrikli ve elektronik ekipmanı ücretsiz olarak geri alma yükümlülüğü olabilir. Atık bataryaların yanı sıra atık elektrikli ve elektronik ekipmanların yeniden kullanımı ve geri dönüşümüne katkınız, hammadde talebini azaltmaya yardımcı olur. Özellikle lityum içeren atık piller ile atık elektrikli ve elektronik ekipmanlar, çevreye uyumlu bir şekilde bertaraf edilmediği takdirde çevre ve insan sağlığını olumsuz yönde etkileyebilecek değerli ve geri dönüştürülebilir malzemeler içerir. Varsa, atık ekipmandaki kişisel verileri silin.



ÜRÜNÜNÜZÜ TANIYIN

Bkz. sayfa 111.

1. Açma/Kapama tetiği
2. Kulp
3. Pil yuvası
4. Mandal
5. Üfleme borusu
6. Kullanım kılavuzu
7. Pil
8. Şarj cihazı

SEMBOLLER



Güvenlik ikazı



Ürünü çalıştırmadan önce bütün talimatları okuyup anlayın. Tüm uyarı ve güvenlik talimatlarına uyun.



Koruyucu gözlük ve kulak tıkacı kullanın.

Κατά τον σχεδιασμό του φυσητήρα μπαταρίας δόθηκε ιδιαίτερη προτεραιότητα στην ασφάλεια, την απόδοση και την αξιοπιστία του.

ΠΡΟΟΡΙΖΟΜΕΝΗ ΧΡΗΣΗ

Το μπορντουροβάλιδο μπαταρίας προορίζεται για χρήση μόνο σε εξωτερικό, στεγνό και καλά φωτιζόμενο χώρο.

Το προϊόν δεν προορίζεται για χρήση από παιδιά ή άτομα με μειωμένες σωματικές, αισθητηριακές ή διανοητικές ικανότητες.

Το προϊόν προορίζεται για φύσημα ελαφριών υπολειμμάτων, όπως φύλλων, χόρτων και άλλων απορριμάτων κήπου.

Μην χρησιμοποιείτε το εργαλείο για άλλες εργασίες.

ΓΕΝΙΚΕΣ ΠΡΟΕΙΔΟΠΟΙΗΣΕΙΣ ΑΣΦΑΛΕΙΑΣ

⚠ ΠΡΟΕΙΔΟΠΟΙΗΣΗ! Διαβάστε όλες τις πρειδοποιήσεις και τις οδηγίες. Τυχόν μη τήρηση των προειδοποιήσεων και των οδηγιών μπορεί να επιφέρει ηλεκτροπληξία, πυρκαγιά ή/και σοβαρό τραυματισμό. Φυλάξτε αυτές τις προειδοποιήσεις και οδηγίες για να μπορέσετε να ανατρέξετε μελλοντικά.

⚠ ΠΡΟΕΙΔΟΠΟΙΗΣΗ! Ποτέ μην επιτρέπετε την χρήση του προϊόντος από παιδιά ή άτομα μη εξοικειωμένα με τις οδηγίες αυτές. Οι τοπικοί κανονισμοί ενδέχεται να θέτουν περιορισμούς ως προς την ηλικία του χειριστή.

ΕΚΠΑΙΔΕΥΣΗ

- Διαβάστε τις οδηγίες προσεκτικά. Εξοικειωθείτε με τα χειριστήρια και την ορθή χρήση του προϊόντος.
- Λάβετε υπόψη ότι ο χειριστής ή ο χρήστης είναι υπεύθυνος για ατυχήματα ή κινδύνους που προκαλούνται σε άλλα άτομα ή την παρουσία τους.
- Ποτέ μην χρησιμοποιείτε το προϊόν ενώ είστε κουρασμένοι, άρρωστοι ή υπό την επήρεια οινοπνεύματος, ναρκωτικών ή φαρμάκων.

ΠΡΟΕΤΟΙΜΑΣΙΑ

- Ορισμένες περιοχές εφαρμόζουν κανονισμούς που περιορίζουν τη χρήση του προϊόντος σε ορισμένες λειτουργίες. Απευθυνθείτε στις αρχές της περιοχής σας για ενημέρωση.
- Φοράτε πάντα προστατευτικά ακοής κατά τη διάρκεια της λειτουργίας του προϊόντος. Το προϊόν είναι θορυβώδες και μπορεί να προκληθεί μόνιμη βλάβη της ακοής εάν δεν τηρούνται αυστηρά οι προφυλάξεις αναφορικά με τον περιορισμό της έκθεσής σας και τη μείωση του θορύβου.
- Φοράτε πάντα πλήρη προστατευτικά ματιών κατά τη διάρκεια της λειτουργίας του προϊόντος. Φοράτε μάσκα πλήρους προσώπου ή πλήρως κλειστά γυαλιά. Τα συνήθη γυαλιά ή τα γυαλιά ηλίου δεν συνιστούν επαρκή προστασία. Υπάρχει κίνδυνος εκτόξευσης αντικειμένων με υψηλή ταχύτητα και ανατροπής σκληρών επιφανειών ανά πάσα στιγμή, λόγω του ισχυρού ρεύματος αέρα.
- Κατά την χρήση του προϊόντος, φοράτε πάντα κατάλληλο ρουχισμό και μακρύ παντελόνι. Μην χρησιμοποιείτε το προϊόν ξυπόλυτοι ή φορώντας σανδάλια ή πέδιλα. Αποφύγετε τα ρούχα χαλαρής εφαρμογής με τυχόν κορδόνια ή δεσμάτα που κρέμονται.
- Μη φοράτε χαλαρά ρούχα ή κοσμήματα που μπορούν να τραβηχτούν στον αεραγωγό εισόδου. Μαζέψτε τυχόν μακριά μαλλιά πάνω από τους ώμους προς αποφυγή εμπλοκής τους σε κινούμενα μέρη.
- Πριν από κάθε χρήση, βεβαιωθείτε ότι όλα τα χειριστήρια και οι συσκευές ασφαλείας λειτουργούν σωστά. Μην χρησιμοποιείτε το μηχάνημα εάν ο κεντρικός διακόπτης του δεν απενεργοποιήσει το μηχάνημα.
- Λειτουργήστε το μηχάνημα σε κατάλληλη θέση και μόνο σε σταθερή και επίπεδη επιφάνεια.
- Μην χρησιμοποιείτε το μηχάνημα σε επιφάνειες με πλακόστρωτο ή χαλίκι όπου τυχόν εκτοξευόμενα υλικά μπορεί να προκαλέσουν τραυματισμούς.

- Πριν από κάθε χρήση, ελέγξτε πάντα το περίβλημα για φθορές. Βεβαιωθείτε ότι τα προστατευτικά και οι λαβές βρίσκονται στην θέση τους και έχουν ασφαλιστεί σωστά. Αντικαταστήστε όλο το σετ τυχόν φθαρμένων ή κατεστραμμένων εξαρτημάτων προκειμένου να διατηρηθεί η ισορροπία του μηχανήματος. Αντικαταστήστε τις ετικέτες που έχουν υποστεί φθορά ή δεν διαβάζονται.
- Μην χρησιμοποιείτε ποτέ το μηχάνημα, όταν βρίσκονται κοντά άνθρωποι, ειδικά παιδιά ή κατοικίδια ζώα.
- Διατηρείτε όλους τους αεραγωγούς ψύξης καθαρούς από υπολείμματα.
- Χρησιμοποιήστε τσουγκράνες και σκούπες για να αραιώσετε τα υπολείμματα πριν φυσήξετε.
- Πριν από κάθε χρήση, καθαρίστε τον χώρο εργασίας. Αφαιρέστε όλα τα αντικείμενα όπως πέτρες, σπασμένα γυαλιά, καρφιά, σύρματα ή σκοινιά, τα οποία μπορούν να εκτοξευτούν σε μεγάλη απόσταση από τον αέρα υψηλής ταχύτητας.
- Μπορεί να προκληθούν τραυματισμοί ή να επιδεινωθούν από την παρατεταμένη χρήση κάποιου εργαλείου. Όταν χρησιμοποιείτε οποιοδήποτε εργαλείο για παρατεταμένες περιόδους, φροντίστε να κάνετε τακτικά διαλείμματα.

ΣΥΣΤΑΣΕΙΣ ΑΣΦΑΛΕΙΑΣ ΣΧΕΤΙΚΑ ΜΕ ΤΑ ΕΠΑΝΑΦΟΡΤΙΖΟΜΕΝΑ ΕΡΓΑΛΕΙΑ

- Φορτίζετε την μπαταρία του εργαλείου σας αποκλειστικά με το φορτιστή που συνιστά ο κατασκευαστής. Ένας φορτιστής κατάλληλος για έναν ορισμένο τύπο μπαταρίας μπορεί να προκαλέσει πυρκαγιά αν χρησιμοποιηθεί με μπαταρία άλλου τύπου.
- Μόνον ένας συγκεκριμένος τύπος μπαταρίας πρέπει να χρησιμοποιείται με κάθε επαναφορτιζόμενο εργαλείο. Η χρήση οποιασδήποτε άλλης μπαταρίας μπορεί να προκαλέσει πυρκαγιά.
- Όταν η μπαταρία δεν χρησιμοποιείται, κρατάτε την μακριά από μεταλλικά αντικείμενα όπως συνδετήρες, κέρματα,

κλειδιά, βίδες, πρόκες ή οποιοδήποτε άλλο αντικείμενο που θα μπορούσε να συνδέσει τις επαφές μεταξύ τους. Το βραχυκύκλωμα των επαφών της μπαταρίας μπορεί να προκαλέσει εγκαύματα ή πυρκαγιές.

- Υπό συνθήκες κακής χρήσης, μπορεί να εκρεύσει υγρό από τη συστοιχία μπαταρίας. Αποφύγετε την επαφή. Αν συμβεί αυτό, ξεπλύνετε αμέσως την εν λόγω ζώνη με άφθονο καθαρό νερό. Αν πέσει στα μάτια σας, συμβουλευθείτε επίσης γιατρό. Υγρό που εκρέει από τη συστοιχία μπαταρίας μπορεί να προκαλέσει ερεθισμό ή εγκαύματα.
- Μη χρησιμοποιείτε μπαταρίες ή εργαλεία που φέρουν φθορές ή έχουν υποστεί μετατροπές. Μπαταρίες με φθορές ή τροποποιήσεις μπορεί να προκαλέσουν αντικανονική συμπεριφορά του εργαλείου με αποτέλεσμα την πρόκληση πυρκαγιάς, έκρηξης ή τραυματισμού.
- Μην εκθέτετε τις μπαταρίες ή το εργαλείο σε φωτιά ή υπερβολικά υψηλή θερμοκρασία. Η έκθεση σε φωτιά ή υπερβολική θερμοκρασία υψηλότερη των 130 °C μπορεί να προκαλέσει έκρηξη.
- Ακολουθήστε όλες τις οδηγίες για τη φόρτιση της μπαταρίας και μη φορτίζετε τη μπαταρία ή το εργαλείο εκτός του συνιστώμενου στις οδηγίες εύρους θερμοκρασίας. Στην περίπτωση που η φόρτιση πραγματοποιείται με εσφαλμένο τρόπο ή σε θερμοκρασίες εκτός των συνιστώμενων, η μπαταρία μπορεί να υποστεί φθορές και να αυξηθεί ο κίνδυνος πυρκαγιάς.

ΛΕΙΤΟΥΡΓΙΑ

- Λειτουργήστε το προϊόν μόνο σε λογικές ώρες - όχι νωρίς το πρωί ή αργά τη νύχτα διότι μπορεί να προκληθεί ενόχληση στους ανθρώπους στο περιβάλλον σας.
- Ποτέ μη λειτουργείτε το προϊόν σε εκρηκτικό περιβάλλον.
- Αποφύγετε την χρήση του προϊόντος σε κακές καιρικές συνθήκες, ιδίως όταν υπάρχει κίνδυνος κεραυνών.

- Κρατήστε όλους τους παρευρισκόμενους, τα παιδιά και τα κατοικίδια ζώα, σε απόσταση τουλάχιστον 15 μέτρων από την περιοχή λειτουργίας. Σταματήστε τη λειτουργία του προϊόντος εάν κάποιος εισέλθει στη περιοχή εργασίας.
- Μη λειτουργείτε το μηχάνημα σε χώρο με ανεπαρκή φωτισμό. Ο χειριστής χρειάζεται να έχει σαφή εικόνα του χώρου εργασίας για να εντοπίσει τους πιθανούς κινδύνους.
- Η χρήση παρόμοιων εργαλείων σε κοντινή απόσταση αυξάνει τόσο τον κίνδυνο βλάβης στην ακοή όσο και την πιθανότητα να εισέλθουν άλλα άτομα στο χώρο εργασίας.
- Πάντα να πατάτε σταθερά σε επιφάνειες με κλίση. Απλά περπατάτε, ποτέ μην τρέχετε.
- Πατάτε σταθερά και διατηρείτε την ισορροπία σας. Φροντίστε να διατηρείτε πάντα την ισορροπία σας. Μην τεντώνετε προς αποφυγή απώλειας της ισορροπίας.
- Ποτέ μην χρησιμοποιείτε το μηχάνημα με προβληματικά προστατευτικά ή περιβλήματα ή χωρίς τα συστήματα ασφαλείας στην θέση τους.
- Για να μειώσετε τον κίνδυνο τραυματισμού που σχετίζεται με την επαφή με περιστρεφόμενα μέρη, πάντα να απενεργοποιείτε το μηχάνημα και να αφαιρείτε τη μπαταρία. Βεβαιωθείτε ότι όλα τα κινούμενα μέρη έχουν σταματήσει εντελώς να κινούνται:
 - πριν απομακρυνθείτε από το προϊόν
 - πριν από τον καθαρισμό αποφράξεων
 - πριν από κάθε έλεγχο, καθαρισμό ή επέμβαση στο προϊόν
 - πριν από τον έλεγχο του προϊόντος μετά από χτύπημα σε ξένο αντικείμενο
 - σε περίπτωση που το προϊόν αρχίσει να δονείται ασυνήθιστα (επιθεωρήστε αμέσως)
- Απενεργοποιήστε αμέσως το προϊόν και αφαιρέστε αμέσως τη συστοιχία μπαταρίας σε περίπτωση ατυχήματος ή βλάβης. Μην λειτουργείτε ξανά το προϊόν μέχρι να

ελεγχθεί πλήρως από εξουσιοδοτημένο κέντρο σέρβις.

- Μην τροποποιείτε το προϊόν κατ' οποιονδήποτε τρόπο και μην χρησιμοποιείτε ανταλλακτικά και εξαρτήματα που δεν συνιστώνται από τον κατασκευαστή.
- Εάν το προϊόν πέσει κάτω, υποστεί δυνατό χτύπημα ή αρχίσει να δονείται ασυνήθιστα, απενεργοποιήστε τη αμέσως και ελέγξτε για τυχόν βλάβη ή εντοπίστε την αιτία της δόνησης. Οποιαδήποτε βλάβη θα πρέπει να επισκευάζεται ή να εκτελείται αντικατάσταση από εξουσιοδοτημένο κέντρο επισκευών.

⚠ ΠΡΟΕΙΔΟΠΟΙΗΣΗ! Το προϊόν μπορεί να συνοδεύεται από εξάρτυση. Ρυθμίστε προσεκτικά την εξάρτυση ώστε να σας βοηθάει άνετα στη στήριξη του βάρους του προϊόντος.

Προσδιορίστε τον μηχανισμό ταχείας απασφάλισης και εξασκηθείτε στη χρήση του πριν αρχίσετε να χρησιμοποιήσετε το προϊόν. Η σωστή χρήση του μπορεί να αποτρέψει σοβαρό τραυματισμό σε περίπτωση έκτακτης ανάγκης. Ποτέ μην φοράτε πρόσθετα ρούχα πάνω από τον ιμάντα ή οτιδήποτε περιορίζει την πρόσβαση στον μηχανισμό ταχείας απασφάλισης.

ΠΡΟΕΙΔΟΠΟΙΗΣΕΙΣ ΑΣΦΑΛΕΙΑΣ ΓΙΑ ΤΟΝ ΦΥΣΗΤΗΡΑ

- Φοράτε μάσκα όταν εργάζεστε σε χώρο όπου υπάρχει πολύ σκόνη προκειμένου να μειώσετε τον κίνδυνο τραυματισμού λόγω εισπνοής σκόνης.
- Υγραίνετε ελαφρά τις επιφάνειες όταν υπάρχει πολύ σκόνη.
- Μην χρησιμοποιείτε το προϊόν κοντά σε ανοιχτά παράθυρα.
- Χρησιμοποιείτε ολόκληρη την επέκταση του ακροφυσίου του φυσητήρα έτσι ώστε το ρεύμα αέρα να λειτουργεί κοντά στο έδαφος και να είναι αποτελεσματικό.
- Μην στρέψετε το ακροφύσιο του φυσητήρα προς την κατεύθυνση ανθρώπων ή κατοικίδιων ζώων.

- Ποτέ μην εισάγετε αντικείμενα στους σωλήνες του φυσητήρα.
- Μην τοποθετείτε το προϊόν επάνω ή κοντά σε σκορπισμένα μπάζα. Υπάρχει περίπτωση αναρόφησης υπολειμμάτων από τη θυρίδα εισαγωγής και πρόκλησης βλάβης στο προϊόν.

ΕΠΙΠΡΟΣΘΕΤΕΣ ΠΡΟΕΙΔΟΠΟΙΗΣΕΙΣ ΑΣΦΑΛΕΙΑΣ ΜΠΑΤΑΡΙΑΣ

Για ελαχιστοποίηση του κινδύνου φωτιάς, τραυματισμών και καταστροφής του προϊόντος λόγω βραχυκυκλώματος, ποτέ μην βυθίζετε το προϊόν, τη συστοιχία της μπαταρίας ή τον φορτιστή σε υγρά και μην αφήνετε τυχόν υγρά να εισχωρήσουν σε αυτά. Διαβρωτικά ή αγώγιμα υγρά, όπως το θαλάσσιο νερό, κάποια βιομηχανικά χημικά, το χλώριο, προϊόντα που περιέχουν χλώριο, κ.α., μπορούν να προκαλέσουν βραχυκύκλωμα.

ΜΕΤΑΦΟΡΑ ΚΑΙ ΑΠΟΘΗΚΕΥΣΗ

- Απενεργοποιήστε το προϊόν, αφαιρέστε τη συστοιχία μπαταρίας και αφήστε το προϊόν να κρυσώσει πριν την αποθήκευση ή τη μεταφορά.
- Καθαρίστε το προϊόν από όλα τα ξένα σώματα. Αποθηκεύστε το προϊόν σε δροσερό, στεγνό και καλά αεριζόμενο χώρο, μη προσιτό από παιδιά. Κρατήστε το προϊόν μακριά από διαβρωτικά μέσα, όπως χημικά προϊόντα κήπου και άλατα αποπάγωσης. Μη αποθηκεύετε το προϊόν σε εξωτερικό χώρο.
- Για μεταφορά εντός οχήματος, στερεώστε το μηχάνημα προς αποφυγή μετακίνησης ή πτώσης ώστε να αποτραπεί τραυματισμός προσώπων ή ζημιά του μηχανήματος.

ΜΕΤΑΦΟΡΑ ΜΠΑΤΑΡΙΩΝ ΛΙΘΙΟΥ

Η μεταφορά της συστοιχίας μπαταρίας θα πρέπει να εκτελείται σύμφωνα με τους τοπικούς κανονισμούς και προϋποθέσεις.

Ακολουθήστε όλες τις ειδικές απαιτήσεις σχετικά με τη συσκευασία και την επισήμανση κατά τη μεταφορά μπαταριών από τρίτους. Βεβαιωθείτε ότι, κατά τη

μεταφορά, οι μπαταρίες δεν έρχονται σε επαφή με παλαιότερες μπαταρίες ή αγώγιμα υλικά προστατεύοντας τυχόν εκτεθειμένους συνδέσμους με μονωτικά, μη αγώγιμα καπάκια ή ταινία. Μην μεταφέρετε συστοιχίες μπαταρίας που είναι σπασμένες ή παρουσιάζουν διαρροή. Επικοινωνήστε με την εταιρεία προώθησης για βοήθεια.

ΣΥΝΤΗΡΗΣΗ

- Χρησιμοποιείτε μόνο αυθεντικά ανταλλακτικά, εξαρτήματα και προσαρτήματα από τον κατασκευαστή. Εάν δεν το κάνετε, μπορεί να προκληθεί τραυματισμός, κακή απόδοση του μηχανήματος και ακύρωση της εγγύησής σας.
- Η συντήρηση απαιτεί μεγάλη προσοχή και γνώσεις και πρέπει να εκτελείται μόνο από εξειδικευμένο τεχνικό. Να αναθέτετε την επισκευή του προϊόντος μόνο σε εξουσιοδοτημένο κέντρο επισκευών.
- Ελέγχετε, ανά τακτά χρονικά διαστήματα, ότι όλα τα παξιμάδια, τα μπουλόνια και τις βίδες είναι σωστά σφιγμένα, προκειμένου να διασφαλίσετε την ασφαλή λειτουργία του προϊόντος. Οποιαδήποτε βλάβη εξαρτήματος θα πρέπει να επισκευάζεται ή να εκτελείται αντικατάσταση από εξουσιοδοτημένο κέντρο επισκευών.
- Δώστε το μηχάνημα σε εξουσιοδοτημένο κέντρο σέρβις για να αντικατασταθούν οι ετικέτες που έχουν υποστεί ζημιά ή δεν μπορούν να διαβαστούν.
- Μπορείτε να κάνετε τις ρυθμίσεις και τις επισκευές που περιγράφονται σε αυτό το εγχειρίδιο. Για άλλες επισκευές, επικοινωνήστε με έναν εξουσιοδοτημένο αντιπρόσωπο σέρβις.
- Μετά από κάθε χρήση, καθαρίστε το προϊόν με ένα μαλακό, στεγνό πανί.

ΚΑΘΑΡΙΣΜΟΣ ΑΠΟΦΡΑΞΗΣ

- Για να μειώσετε τον κίνδυνο τραυματισμού που σχετίζεται με την επαφή με κινούμενα μέρη, πάντα να απενεργοποιείτε το προϊόν, να αφαιρέτε τη μπαταρία και να

βεβαιώνεστε ότι όλα τα κινούμενα μέρη έχουν σταματήσει εντελώς να κινούνται.

- Αφαιρέστε τους σωλήνες του φυσητήρα για να ελέγξετε για τυχόν αποφράξεις. Καθαρίστε τους σωλήνες αν απαιτείται.
- Ξανατοποθετήστε τους σωλήνες του φυσητήρα πριν θέσετε σε λειτουργία το προϊόν.

ΓΝΩΡΙΣΤΕ ΤΟ ΠΡΟΪΟΝ ΣΑΣ

Βλ. σελίδα 111.

1. Σκανδάλη On/Off
2. Λαβή
3. Θέση μπαταρίας
4. Μανδάλωση
5. Σωλήνας φυσητήρα
6. Εγχειρίδιο χρήσης
7. Συστοιχία μπαταριών
8. Φορτιστής

ΣΥΜΒΟΛΑ



Ειδοποίηση ασφαλείας



Διαβάστε και κατανοήστε όλες τις οδηγίες πριν λειτουργήσετε το προϊόν. Ακολουθήστε όλες τις οδηγίες ασφαλείας και όλες τις προειδοποιήσεις.



Φοράτε προστατευτικά ματιών και αυτιών.



Μην εκθέτετε το προϊόν σε βροχή ή υγρές συνθήκες.



Περιστρεφόμενοι ανεμιστήρες. Κρατήστε τα χέρια και τα πόδια μακριά από τα ανοίγματα όταν λειτουργεί το προϊόν.



Κρατήστε όλους τους παρευρισκόμενους, ιδίως τα παιδιά και τα κατοικίδια ζώα, σε απόσταση ασφαλείας από την περιοχή λειτουργίας.

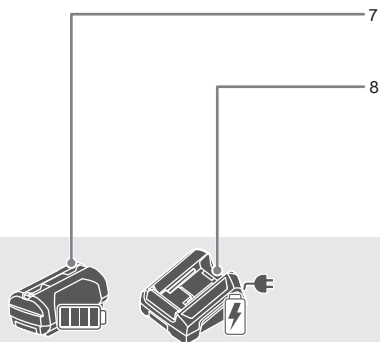
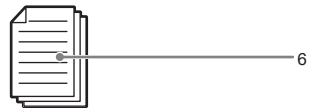
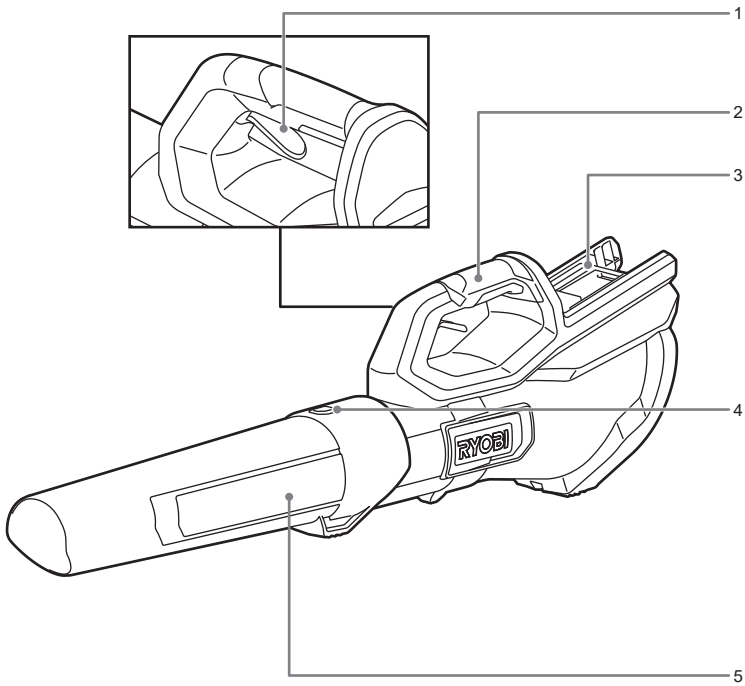


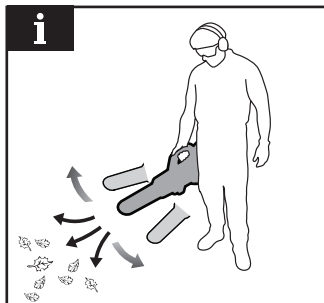
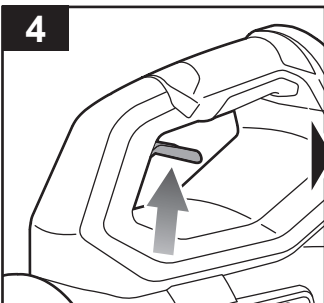
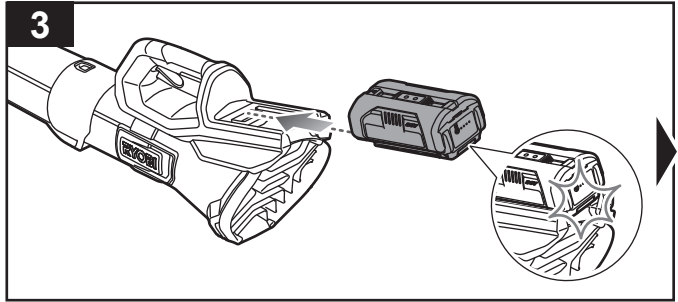
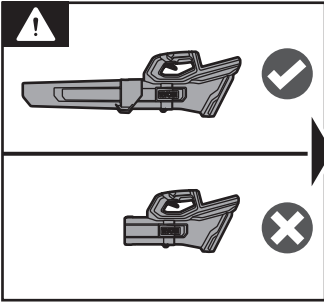
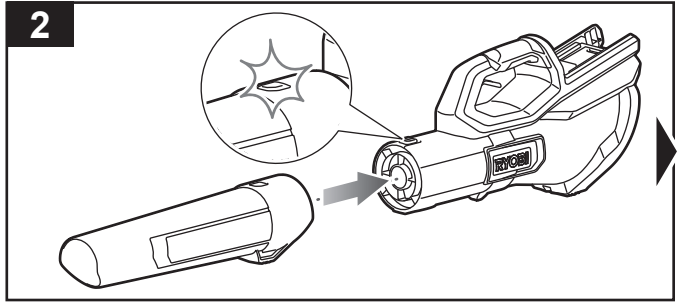
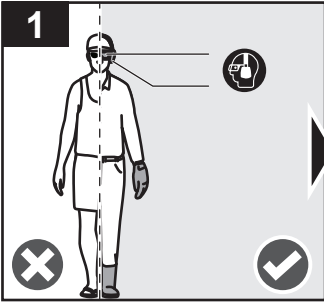
Εγγυημένο επίπεδο ισχύος ήχου

Οι μπαταρίες καθώς και ο ηλεκτρονικός και ηλεκτρικός εξοπλισμός δεν πρέπει να απορρίπτονται στα αδιαχώριστα απορρίματα της κοινότητας. Οι μπαταρίες καθώς και ο ηλεκτρονικός και ηλεκτρικός εξοπλισμός προς απόρριψη θα πρέπει να συλλέγονται χωριστά. Οι μπαταρίες, οι συσσωρευτές και οι πηγές φωτός προς απόρριψη θα πρέπει να αφαιρούνται από τον εξοπλισμό. Επικοινωνήστε με την τοπική σας αρχή ή τον προμηθευτή σας για συμβουλές ανακύκλωσης και σημείο συλλογής.

Σύμφωνα με τους τοπικούς κανονισμούς, οι προμηθευτές ενδέχεται να υποχρεούνται να παραλαμβάνουν τον ηλεκτρονικό και ηλεκτρικό εξοπλισμό προς απόρριψη, χωρίς χρέωση. Η συμβολή σας στην επαναχρησιμοποίηση και την ανακύκλωση ηλεκτρονικού και ηλεκτρικού εξοπλισμού προς απόρριψη βοηθά στη μείωση της ζήτησης πρώτων υλών. Οι άχρηστες μπαταρίες, και κυρίως όσες περιέχουν λίθιο, όπως και ο άχρηστος ηλεκτρονικός και ηλεκτρικός εξοπλισμός, περιέχουν πολύτιμα ανακυκλώσιμα υλικά, τα οποία μπορεί να βλάψουν τόσο το περιβάλλον, όσο και την ανθρώπινη υγεία, εάν δεν απορρίπτονται με τρόπο φιλικό προς το περιβάλλον. Διαγράψτε τυχόν προσωπικά δεδομένα από τον εξοπλισμό.



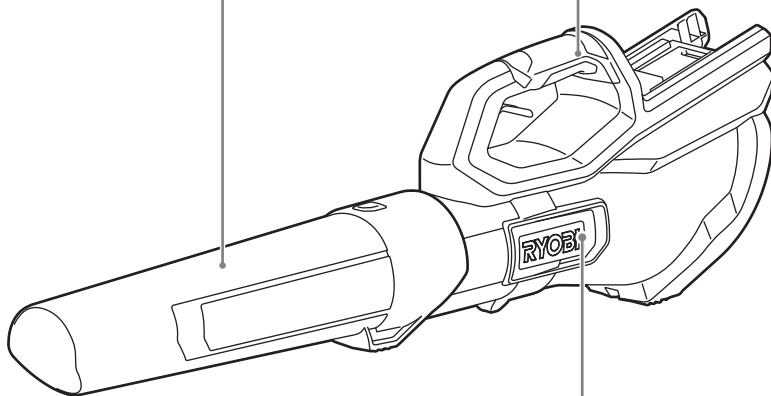
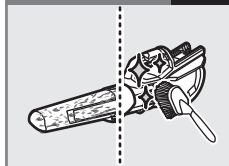




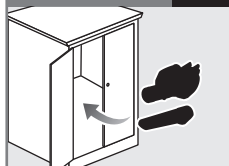
p.114

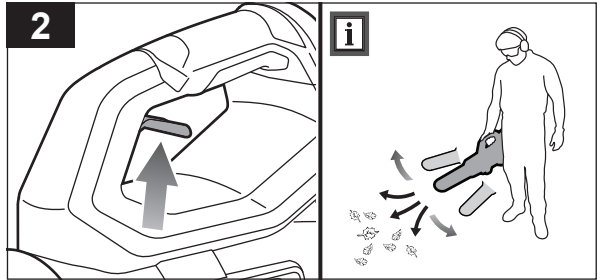
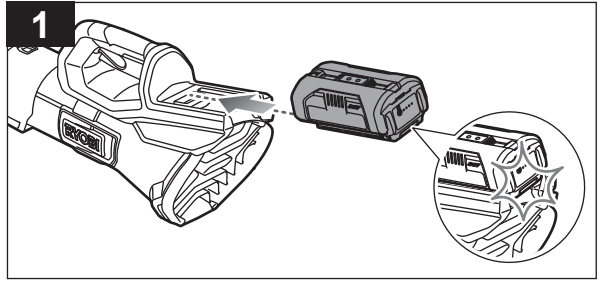
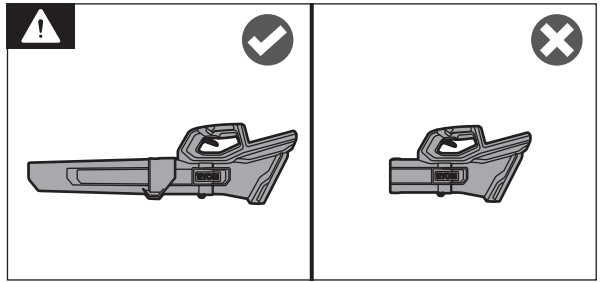


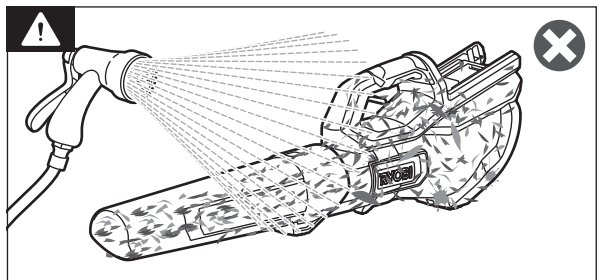
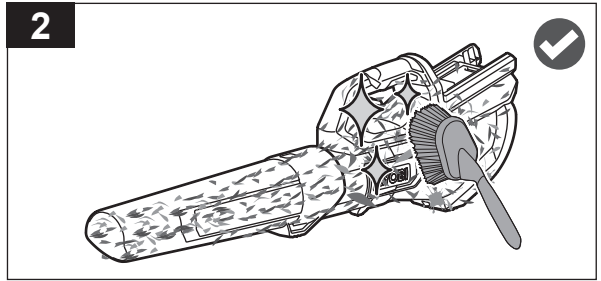
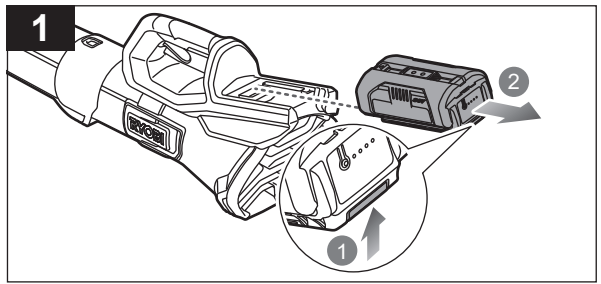
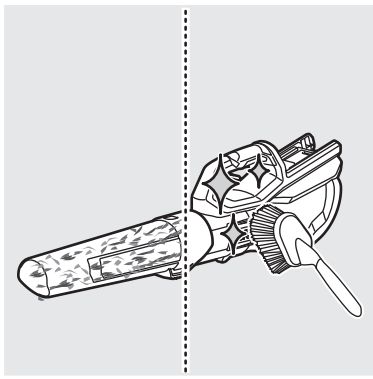
p.115

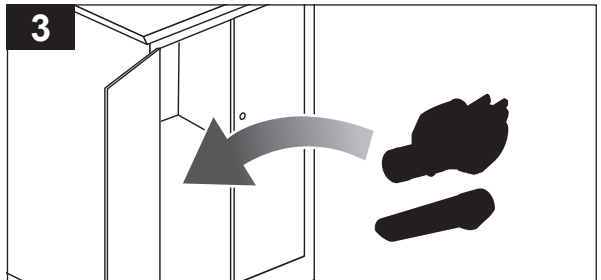
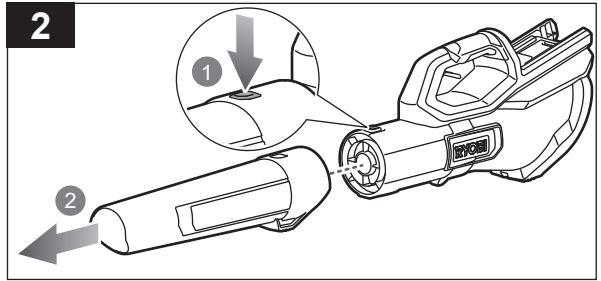
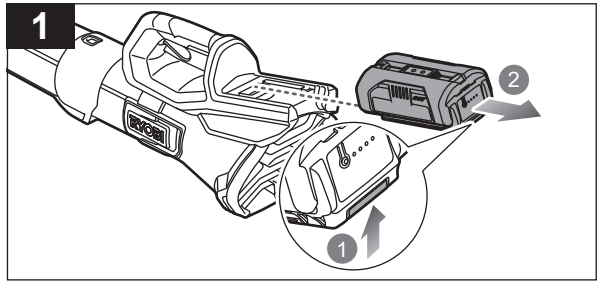
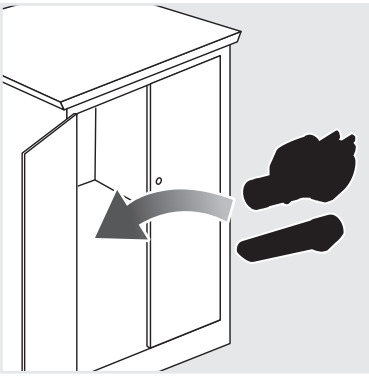


p.116









English	Français	Deutsch	Español	Italiano	Nederlands	Português
Product specifications	Caractéristiques produit	Produkt-Spezifikationen	Características del producto	Caratteristiche del prodotto	Productgegevens	Características do aparelho
Cordless blower	Souffleur sans fil	Akku-Laubgebläse	Soplador inalámbrico	Soffiatore senza fili	Snoerloze bladblazer	Soprador sem fios
Model	Modèle	Modell	Modelo	Modello	Model	Modelo
Rated voltage	Tension nominale	Nennspannung	Tensión nominal	Vollaggio nominale	Toegekende spanning	Tensão nominal
Air velocity	Vitesse du flux d'air	Luftgeschwindigkeit	Velocidad del aire	Velocità aria	Luchtsnelheid	Velocidade do Ar
Air volume	Volume d'air	Luftvolumen	Volumen del aire	Volume aria	Luchtvolume	Volume de Ar
Blowing force	Puissance de soufflage	Blasleistung	Fuerza de soplado	Forza di soffiaggio	Blaaskracht	Força de sopro
Weight	Poids	Gewicht	Peso	Peso	Gewicht	Peso
Without battery pack	sans batterie	ohne Akkupack	sin batería	senza pacco batteria	zonder accu	sem bateria
With heaviest battery pack	avec la batterie la plus grosse	mit größtem Akkupack	Con la batería más pesada	con le batterie più pesanti	met zwaarste batterij	Com bateria mais pesada
Vibration level (in accordance with Annex BB of EN 50636-2-100:2014)	Niveau de vibration (selon l'Annexe BB de la norme EN 50636-2-100:2014)	Vibrationsgrad (gemäß Anhang BB von EN 50636-2-100:2014)	Nivel de vibración (de acuerdo con el Anexo BB de EN 50636-2-100:2014)	Livello vibrazioni (secondo quanto disposto dall'Allegato BB della Direttiva EN 50636-2-100:2014)	Trillingsniveau (in overeenstemming met bijlage BB van EN 50636-2-100:2014)	Nível de vibração (em conformidade com o Anexo BB de EN 50636-2-100:2014)
Vibration level a_h	Niveau de vibrations a_h	Vibrationsgrad a_h	Nivel de vibración a_h	Livello di vibrazioni a_h	Trillingsniveau a_h	Nível de vibração a_h
Uncertainty of measurement K	Incertitude de la mesure K	Unsicherheit der Messung K	Incertidumbre de medición K	Incertezza delle misurazioni K	Onzekerheid bij meting K	Incerteza de medições K
Noise emission level (in accordance with Annex CC of EN 50636-2-100:2014)	Niveau d'émission sonore (selon l'Annexe CC de la norme EN 50636-2-100:2014)	Geräuschemission (gemäß Anhang CC von EN 50636-2-100:2014)	Nivel de emisión de ruido (de acuerdo con el Anexo CC de EN 50636-2-100:2014)	Livello di emissione rumore (secondo quanto disposto dall'Allegato CC della Direttiva EN 50636-2-100:2014)	Geluidsemissieniveau (in overeenstemming met bijlage CC van EN 50636-2-100:2014)	Nível de emissão de ruído (em conformidade com o Anexo CC de EN 50636-2-100:2014)
A-weighted sound pressure level at operator's position L_{pA}	Niveau de pression sonore pondéré A au niveau de l'opérateur L_{pA}	A-bewerteter Schalldruckpegel an der Position des Anwenders L_{pA}	Nivel de presión sonora ponderado A en la posición del operario L_{pA}	Livello di pressione sonora pesato A alla posizione dell'operatore L_{pA}	A-gewogen geluidsdrukniveau op de plaats van de bediener L_{pA}	Nível de pressão sonora ponderado A na posição do operador L_{pA}
Uncertainty of measurement K_{pA}	Incertitude de la mesure K_{pA}	Unsicherheit der Messung K_{pA}	Incertidumbre de medición K_{pA}	Incertezza delle misurazioni K_{pA}	Onzekerheid bij meting K_{pA}	Incerteza de medições K_{pA}
A-weighted sound power level L_{WA}	Niveau de puissance sonore pondéré A L_{WA}	A-bewerteter Schalleistungspegel L_{WA}	Nivel de potencia acústica ponderada en A L_{WA}	Livello di potenza sonora pesato A L_{WA}	A-gewogen geluidsruisniveau L_{WA}	Nível de potência sonora ponderada A L_{WA}
Uncertainty of measurement K_{WA}	Incertitude de la mesure K_{WA}	Unsicherheit der Messung K_{WA}	Incertidumbre de medición K_{WA}	Incertezza delle misurazioni K_{WA}	Onzekerheid bij meting K_{WA}	Incerteza de medições K_{WA}
$L_{WA} + K_{WA}$	$L_{WA} + K_{WA}$	$L_{WA} + K_{WA}$	$L_{WA} + K_{WA}$	$L_{WA} + K_{WA}$	$L_{WA} + K_{WA}$	$L_{WA} + K_{WA}$
Compatible battery packs	Blocs des batterie compatibles	Kompatible Akkupacks	Paquetes de batería compatibles	Gruppo batterie compatibili	Compatibele accupacks	Baterias compatíveis
Compatible chargers	Chargeurs compatibles	Kompatible Ladegeräte	Cargador compatible	Caricatore compatibile	Compatibele oplader	Carregador compatível

Dansk	Svenska	Suomi	Norsk	Русский	Polски	
Produktspecifikationer	Produktspecifikationer	Tuotteen tekniset tiedot	Produktspecificasjoner	Характеристики изделия	Parametry techniczne	
Ledningsfri blæser	Sladdlös blåsmaskin	Langaton lehtipuhallin	Batteridrevet blæser	Беспроводная воздуходувка	Dmuchawa bezprzewodowa	
Model	Modell	Malli	Modell	Модель	Model	RY36BLB
Mærkespænding	Spänning	Nimellisjännite	Nominell spenning	Номинальное напряжение	Napięcie znamionowe	36 V d.c.
Lufthastighed	Luftflöde	Ilman nopeus	Lufthastighet	Скорость воздушного потока	Prędkość powietrza	193 km/h
Luftvolumen	Luftvolym	Ilmamäärä	Luftvolum	Объем воздуха	Objętość powietrza	15,73 m ³ /min (550 CFM)
Blæsekraft	Blåskraft	Puhallusteho	Blåseeffekt	Сила воздушного потока	Sila nadmuchu	15 N
Vægt uden batteri	Vikt utan batteripaket	Paino ilman akkua	Vekt uten batteripakke	Вес аккумулятора без блока	Masa bez akumulatora	2,65 kg
med tungeste batteri	med tyngsta batteriet	painavimmalla akulla	med det kraftigste batteriet	с самой тяжелой батареей	z najcięższym akumulatorem	5,3 kg
Vibrationsniveau (iht. bilag BB til EN 50636-2:100:2014)	Vibrationsnivå (enligt Annex BB i EN 50636-2:100:2014)	Tärinätao (standardin EN 50636-2:100:2014 liitteen BB mukaisesti)	Vibrasjonsnivå (iht. tillegg BB i EN 50636-2:100:2014)	Уровень вибрации (в соответствии с Приложением ВВ стандарта EN 50636-2:100:2014)	Poziom wibracji (zgodnie z aneksem BB normy EN 50636-2:100:2014)	
Vibrationsniveau a _h	Vibrationsnivå a _h	Tärinätao a _h	Vibrasjonsnivå a _h	Уровень вибрации a _h	Poziom drgań a _h	2,8 m/s ²
Målingsusikkerhed K	Osäkerhet för mätt K	Mittausten epätarkkuus K	Usikkerhet ved måling K	Погрешность измерения K	Niepewność pomiaru K	1,5 m/s ²
Støjemissionsniveau (iht. bilag CC til EN 50636-2:100:2014)	Bullerutsläppsnivå (enligt Annex CC i EN 50636-2:100:2014)	Melutaso (standardin EN 50636-2:100:2014 liitteen CC mukaisesti)	Støyutslippsnivå (iht. tillegg CC i EN 50636-2:100:2014)	Уровень шума (в соответствии с Приложением СС стандарта EN 50636-2:100:2014)	Poziom emisji hałasu (zgodnie z aneksem CC normy EN 50636-2:100:2014)	
A-vægtet lydtryksniveau ved operatørens position L _{PA}	A-viktad ljudtrycksnivå vid operatörsplats L _{PA}	A-painotettu käyttäjään kohdistuva äänenpainetaso L _{PA}	A-vektet lydtrykk ved operatørposisjon L _{PA}	Амплитудно-взвешенный уровень звукового давления на рабочем месте оператора L _{PA}	Poziom ważonego ciśnienia akustycznego w pozycji operatora L _{PA}	79,1 dB(A)
Målingsusikkerhed K _{PA}	Osäkerhet för mätt K _{PA}	Mittausten epätarkkuus K _{PA}	Usikkerhet ved måling K _{PA}	Погрешность измерения K _{PA}	Niepewność pomiaru K _{PA}	3,0 dB
A-vægtet lydeffektniveau L _{WA}	A-vägd ljudeffektnivå L _{WA}	A-painotettu äänenteho L _{WA}	A-vektet lydeffektnivå L _{WA}	Уровень A-взвешенной звуковой мощности L _{WA}	A-ważony poziom mocy akustycznej L _{WA}	94,4 dB(A)
Målingsusikkerhed K _{WA}	Osäkerhet för mätt K _{WA}	Mittausten epätarkkuus K _{WA}	Usikkerhet ved måling K _{WA}	Погрешность измерения K _{WA}	Niepewność pomiaru K _{WA}	1,4 dB
L _{WA} + K _{WA}	L _{WA} + K _{WA}	L _{WA} + K _{WA}	L _{WA} + K _{WA}	L _{WA} + K _{WA}	L _{WA} + K _{WA}	96 dB(A)
Kompatible batterier	Kompatibla batteripaket	Yhteensopivat akut	Kompatible batteripakker	Совместимая аккумуляторная батарея	Pasujące akumulatory	BPL36..., RY36B.. RY36BP3PA
Kompatibel oplader	Kompatibel laddare	Yhteensopiva laturi	Kompatibel lader	Совместимое зарядное устройство	Zgodna ładowarka	RY36C..

Čeština	Magyar	Română	Latviski	Lietuviškai	Eesti	Hrvatski
Technické údaje produktu	Termék műszaki adatai	Specificațiile produsului	Produkta specifikācijas	Gaminio techninės savybės	Toote tehnilised andmed	Specifikacije proizvoda
Akumulátorový fukar	Akkumulátoros lombfűvő	Suflantă fără fir	Akumulatoru pūtējs	Akumulatorinis pūstuvus	Juhtmeta puhur	Akumulatorska puhalica
Model	Tipus	Model	Modelis	Modelis	Mudel	Model
Jmenovité napětí	Névleges feszültség	Tensiunea nominală	Nominālais spriegums	Nominali įtampa	Nimipinge	Nazivni napon
Rychlost vzduchu	Levegő sebessége	Viteză aer	Gaisa pārvietošanās	Oro greitis	Õhu kiirus	Brzina zraka
Objem vzduchu	Levegőtérfogat	Volum aer	Gaisa apjoms	Oro kiekis	Õhu vooluhulk	Količina zraka
Foukací síla	Fúvóerő	Forță de suflare	Pūšanas spēks	Pūtimo galia	Puhumisjõud	Snaga puhanja
Hmotnost bez akumulátoru	Súly	Greutate	Svars	Svoris	Kaal	Težina
s nejtěžší baterii	a legnehezebb akkusomaggal	cu cea mai grea baterie	ar smagāko bateriju	su sunkiausia baterija	kõige võimsama akuga	s najvećom baterijom
Úroveň vibrací (v souladu s přílohou BB normy EN 50636-2-100:2014)	Vibrációs szint (az EN 50636-2-100:2014 BB függeléke szerint)	Nivel de vibrație (în conformitate cu Anexa BB a EN 50636-2-100:2014)	Vibrācijas līmenis (saskaņā ar direktīvas EN 50636-2-100:2014 BB pielikumu)	Vibracijos lygis (pagal EN 50636-2-100:2014 standarto BB priedą)	Vibratsioonitase (vastavalt standardi EN 50636-2-100:2014 lisale BB)	Razina vibracija (u skladi s Dodatkom BB EN 50636-2-100:2014)
Úroveň vibrací a_n	Vibrációs szint a_n	Nivelul vibrațiilor a_n	Vibrācijas līmenis a_n	Vibracijos lygis a_n	Vibratsioonitase a_n	Razina vibracije a_n
Nejistota měření K	Mérés bizonytalansága K	Nesiguranța măsurătorii K	Mērījuma nenoteiktība K	Matavimo paklaida K	Mõõtmismääramatus K	Neodređenost mjerenja K
Hladina emise hluku (v souladu s přílohou CC normy EN 50636-2-100:2014)	Hangfócsótási szint (az EN 50636-2-100:2014 CC függeléke szerint)	Nivel emisie zgomot (în conformitate cu Anexa CC a EN 50636-2-100:2014)	Trokšņu emisijas līmenis (saskaņā ar direktīvas EN 50636-2-100:2014 CC pielikumu)	Skleidžiamo triukšmo lygis (pagal EN 50636-2-100:2014 standarto CC priedą)	Helivõimsuse tase (vastavalt standardi EN 50636-2-100:2014 lisale CC)	Razina emisija buke (u skladi s Dodatkom CC EN 50636-2-100:2014)
Hladina akustického tlaku vážená funkcí A v poloze obsluhy L_{pA}	A-súlyozott hangnyomásszint a kezelő helyén L_{pA}	Valoare A nivel presiune zgomot la poziția operatorului L_{pA}	A-novērtējuma skaņas spiediena līmenis operatora darba vietā L_{pA}	A dažnės charakteristikos garso slėgio lygis operatoriaus vietoje L_{pA}	A-kaalutud helirõhu tase operaatori töökojal L_{pA}	A-ponderirana razina zvučnog tlaka u položaju operatera L_{pA}
Nejistota měření K_{pA}	Mérés bizonytalansága K_{pA}	Nesiguranța măsurătorii K_{pA}	Mērījuma nenoteiktība K_{pA}	Matavimo paklaida K_{pA}	Mõõtmismääramatus K_{pA}	Neodređenost mjerenja K_{pA}
Hladina akustického výkonu vážená funkcí A L_{WA}	A-súlyozott hangteljesítményszint L_{WA}	Nivel de putere acustică ponderată A L_{WA}	A-līmeņa skaņas jaudas līmenis L_{WA}	A-svertinis akustinis lygis L_{WA}	A-kaalutud helivõimsuse tase L_{WA}	Ponderirana razina zvučne snage L_{WA}
Nejistota měření K_{WA}	Mérés bizonytalansága K_{WA}	Nesiguranța măsurătorii K_{WA}	Mērījuma nenoteiktība K_{WA}	Matavimo paklaida K_{WA}	Mõõtmismääramatus K_{WA}	Neodređenost mjerenja K_{WA}
$L_{WA} + K_{WA}$	$L_{WA} + K_{WA}$	$L_{WA} + K_{WA}$	$L_{WA} + K_{WA}$	$L_{WA} + K_{WA}$	$L_{WA} + K_{WA}$	$L_{WA} + K_{WA}$
Kompatibilní akumulátory	Kompatibilis akkumulátorok	Acumulatori compatibili	Savietojami akumulatoru komplekti	Suderinami baterijos paketai	Ühilduvad akupaketid	Kompatibilna pakiranja baterija
Kompatibilní nabíječka	Kompatibilis töltő	Încărcător compatibil	Saderīgs lādētājs	Suderinamas įkroviklis	Ühilduv laadija	Kompatibilni punjači

Slovenščina	Slovenčina	България	українська	Türkçe	Ελληνικά	
Specifikacije izdelka	Špecifikácie produktu	Технически характеристики	Технічні характеристики пристрою	Ürün teknik özellikleri	Προδιαγραφές Προϊόντος	
Brezžični puhalnik	Akumulátorový fúkač	Безжичен уред за обдуване	Бездротова повітрядувка	Kablosuz yaprak üfleme makinesi	Φυσητήρας μπαταρίας	
Model	Modelis	Модел	Модель	Model	Μοντέλο	RY36BLB
Nazivna napetost	Menovitě napětí	Номинален волтаж	Номинальна напруга	Nominal voltaj	Ονομαστική τάση	36 V d.c.
Hitrost zraka	Rychlost' vzduchu	Скорост на въздушната струя	Швидкість повітря	Hava hızı	Ταχύτητα αέρα	193 km/h
Prostornina zraka	Objem vzduchu	Обем на въздушната струя	Об'єм повітря	Hava hacmi	Όγκος αέρα	15,73 m³/min (550 CFM)
Moč pihanja	Sila fúkania	Сила на издуване	Сила обдування	Üfleme kuvveti	Δύναμη ψυσήματος	15 N
Teža	Hmotnosť	Тегло	Вага	Agirlik	Βάρος	
brez baterijskega vložka	bez batérie	без акумулаторната батерия	без акумулаторної батареї	batarya takımı olmadan	χωρίς μπαταρία	2,65 kg
z najtežjo baterijo	s najtlačším akumulátorom	с най-тежката акумулаторна батерия	з найважачим акумулатором	en ağır batarya ile	Με τη βαρύτερη μπαταρία	5,3 kg
Nivo vibracij (v skladu z dodatkom BB standarda EN 50636-2-100:2014)	Úroveň vibrácií (v súlade s Dodatkom BB v EN 50636-2-100:2014)	Ниво на вибрациите (в съответствие с приложение BB на EN 50636-2-100:2014)	Рівень вібрації (відповідно до EN 50636-2-100:2014 додаток BB)	Titrleşim seviyesi (EN 50636-2-100:2014, Ek BB uyarınca)	Επίπεδο κραδασμών (σύμφωνα με το Παράρτημα BB του προτύπου EN 50636-2-100:2014)	
Raven vibracij a_{rh}	Úroveň vibrácií a_{rh}	Ниво на вибрация a_{rh}	Рівень вібрації a_{rh}	Titrleşim seviyesi a_{rh}	Επίπεδο κραδασμών a_{rh}	2,8 m/s ²
Negotovost meritve K	Nespolahlivosť meraní K	Несигурност на измерването K	Невизначеність вимірювання K	Ölçüm bilinmiyor K	Αβεβαιότητα μέτρησης K	1,5 m/s ²
Raven emisij hrupa (v skladu z dodatkom CC standarda EN 50636-2-100:2014)	Úroveň emisii hluku (v súlade s Dodatkom CC v EN 50636-2-100:2014)	Ниво на шумовите емисии (в съответствие с приложение CC на EN 50636-2-100:2014)	Рівень шуму (відповідно до EN 50636-2-100:2014 додаток CC)	Gürültü emisyon seviyesi (EN 50636-2-100:2014, Ek CC uyarınca)	Επίπεδο εκπομπής θορύβου (σύμφωνα με το Παράρτημα CC του προτύπου EN 50636-2-100:2014)	
A-vrednotena raven zvočnega tlaka na položaju upravljavca L_{pA}	Vážená A hladina akustického tlaku na poziciji operátora L_{pA}	Ниво на шумово налягане с равнище A на мястото на оператора L_{pA}	Рівень звукового тиску за шкалюю A для оператора пристрою L_{pA}	Kullanıcı pozisyonundaki A ağırlıklı ses basıncı seviyesi L_{pA}	Α-σταθμισμένη στάθμη ηχητικής ισχύος στη θέση του χειριστή L_{pA}	79,1 dB(A)
Negotovost meritve K_{pA}	Nespolahlivosť meraní K_{pA}	Несигурност на измерването K_{pA}	Невизначеність вимірювання K_{pA}	Ölçüm bilinmiyor K_{pA}	Αβεβαιότητα μέτρησης K_{pA}	3,0 dB
A-izmerjena raven zvočne moči L_{WA}	Vážená A hladina akustického výkonu L_{WA}	Ниво на силата на шума с равнище A L_{WA}	А-зважений рівень звукової потужності L_{WA}	A ağırlıklı ses gücü seviyesi L_{WA}	Επίπεδο ηχητικής ισχύος με στάθμιση A (L_{WA})	94,4 dB(A)
Negotovost meritve K_{WA}	Nespolahlivosť meraní K_{WA}	Несигурност на измерването K_{WA}	Невизначеність вимірювання K_{WA}	Ölçüm bilinmiyor K_{WA}	Αβεβαιότητα μέτρησης K_{WA}	1,4 dB
$L_{WA} + K_{WA}$	$L_{WA} + K_{WA}$	$L_{WA} + K_{WA}$	$L_{WA} + K_{WA}$	$L_{WA} + K_{WA}$	$L_{WA} + K_{WA}$	96 dB(A)
Združljive baterije	Kompatibilné jednotky akumulátorov	Съвместими батерии	Сумісні акумулаторні блоки	Uyumlu pil takimleri	Συμβατές μπαταρίες	BPL36..., RY36B.. RY36BP3PA
Združljiv polnilec	Kompatibilná nabíjačka	Съвместимо зарядно устройство	Сумісний зарядний пристрій	Uyumlu şarj cihazı	Συμβατό φορτιστές	RY36C..

EN**⚠ WARNING**

The declared vibration total values and the declared noise emission values given in this instruction manual have been measured in accordance with a standardised test and may be used to compare one tool with another. They may be used for a preliminary assessment of exposure.

The declared vibration and noise emission values represent the main applications of the tool. However, if the tool is used for different applications, used with different accessories, or poorly maintained, the vibration and noise emission may differ. These conditions may significantly increase the exposure levels over the total working period. An estimation of the level of exposure to vibration and noise should take into account the times when the tool is turned off or when it is running idle. These conditions may significantly reduce the exposure level over the total working period.

Identify additional safety measures to protect the operator from the effects of vibration and noise, such as maintaining the tool and the accessories, keeping the hands warm (in case of vibration), and organising work patterns.

FR**⚠ AVERTISSEMENT**

Le niveau total de vibrations et le niveau total d'émissions sonores déclarés indiqués dans ce manuel d'instruction ont été mesurés selon une méthode de test normalisée et peut servir de référence pour comparer les outils entre eux. Ils peuvent servir d'évaluation préliminaire à l'exposition.

Les niveaux d'émissions sonores et de vibrations déclarés représentent les principales applications de l'outil. Toutefois, si l'outil est utilisé pour des applications différentes ou des accessoires différents, ou s'il est mal entretenu, les vibrations émises peuvent varier. Ces facteurs pourraient augmenter considérablement les niveaux d'exposition sur la durée totale d'utilisation. Une estimation du niveau d'exposition aux vibrations et du bruit doit aussi prendre en compte les périodes durant lesquelles l'outil est éteint ou lorsqu'il fonctionne à vide. Ces facteurs pourraient réduire considérablement le niveau d'exposition sur la durée totale d'utilisation.

Identifiez toute mesure de sécurité supplémentaire à observer pour protéger l'opérateur des effets des vibrations et du bruit, comme l'entretien de l'outil et des accessoires, le maintien au chaud des mains (en cas de vibrations), et l'élaboration de schémas de pulvérisation.

DE**⚠ WARNUNG**

Die in dieser Anleitung deklarierten Gesamtwerte der Schwingungsemission und die deklarierten Werte der Geräuschemission wurden gemäß einer standardisierten Testmethode gemessen und können verwendet werden, um Werkzeuge miteinander zu vergleichen. Sie können für eine vorläufige Beurteilung der Belastung verwendet werden.

Die deklarierten Werte für Schwingungs- und Geräuschemission treffen auf die Hauptanwendung des Werkzeugs zu. Wenn jedoch das Werkzeug für verschiedene Anwendungen oder mit unterschiedlichem Zubehör genutzt wird oder schlecht gewartet ist, kann die Schwingungs- und Geräuschemission variieren. Diese Bedingungen können das Belastungsniveau über die gesamte Arbeitszeit deutlich steigern. Eine Schätzung der Schwingungsbelastung sollte auch die Zeiten berücksichtigen, in denen das Werkzeug ausgeschaltet ist oder im Leerlauf läuft. Diese Bedingungen können das Belastungsniveau über die gesamte Arbeitszeit deutlich reduzieren.

Legen Sie zusätzliche Sicherheitsmaßnahmen fest, um den Bediener vor den Auswirkungen von Schwingung und Geräuschen zu schützen, z. B. Warten des Geräts und der Zuhörteile, Warmhalten der Hände (bei Schwingung) und Organisieren der Tätigkeit.

ES**⚠ ADVERTENCIA**

Los valores totales de emisión de vibración declarados y los valores de emisiones de ruido declarados que se indican en este manual de instrucciones se han calculado según lo establecido en una prueba estandarizada y se pueden utilizar para comparar una herramienta con otra. Se pueden utilizar para una evaluación preliminar de exposición.

Los valores declarados de emisión de vibración y ruido representan las aplicaciones principales de la herramienta. No obstante, si la herramienta se utiliza para diferentes aplicaciones, con distintos accesorios o con un mantenimiento deficiente, la emisión de vibración y ruido podría diferir. Estas condiciones podrían aumentar significativamente los niveles de exposición sobre el periodo de funcionamiento total. Una estimación del nivel de exposición a la vibración y el ruido debería también tenerse en cuenta cuando la herramienta está apagada o cuando funciona a baja intensidad. Estas condiciones podrían reducir significativamente el nivel de exposición sobre el periodo de funcionamiento total.

Identifique cualquier medida de protección adicional para proteger al operario de los efectos de la vibración y el ruido, como el mantenimiento de la herramienta y los accesorios, mantener las manos calientes (en caso de vibración) y la organización de los patrones de trabajo.

IT**⚠ AVVERTENZE**

Il livello di emissioni di vibrazioni riportato in questa scheda informativa è stato misurato con un metodo di prova standardizzato ed è utilizzabile per confrontare gli utensili fra di loro. Questi possono essere usati per una valutazione preliminare dell'esposizione.

I valori di emissione di rumori e vibrazioni rappresentano le principali applicazioni dello strumento. Tuttavia, se l'utensile viene utilizzato in applicazioni differenti, con differenti accessori o con scarsa manutenzione, l'emissione di vibrazioni e rumori può essere diversa. Queste condizioni possono significativamente aumentare il livello di esposizione nel periodo di lavoro totale. Una stima del livello di esposizione alle vibrazioni e ai rumori va presa in considerazione anche quando l'utensile viene spento oppure è in funzione a folla. Queste condizioni possono significativamente ridurre il livello di esposizione nel periodo di lavoro totale.

Identificare le misure di sicurezza aggiuntive per proteggere l'operatore dagli effetti di vibrazioni e rumori, come la manutenzione di strumento e accessori, mantenendo le mani calde (in caso di vibrazione) e le modalità di lavoro.

NL**⚠ WAARSCHUWING**

Het gespecificeerde totale trillingswaarden en geluidsemissiewaarden in deze instructiehandleiding zijn gemeten overeenkomstig een gestandaardiseerde test en kunnen worden gebruikt om gereedschappen met elkaar te vergelijken. Ze kunnen worden gebruikt voor een voorafgaande beoordeling van blootstelling.

De gespecificeerde trillings- en geluidsemissiewaarden vertegenwoordigen de belangrijkste toepassingen van het gereedschap. Als het gereedschap echter voor andere toepassingen of met andere accessoires wordt gebruikt slecht wordt onderhouden, kunnen de trillings- en geluidsemissiewaarden afwijken. Deze omstandigheden kunnen het blootstellingsniveau over de gehele gebruiksperiode aanzienlijk verhogen. Een schatting van het niveau van blootstelling aan trillingen en geluid dient ook rekening te houden met de perioden dat het gereedschap is uitgeschakeld of is ingeschakeld maar niet wordt gebruikt. Deze omstandigheden kunnen de blootstellingsniveaus over de gehele gebruiksperiode aanzienlijk verhogen.

Stel aanvullende veiligheidsmaatregelen vast om de gebruiker te beschermen tegen de effecten van trillingen en geluid, zoals onderhoud van het gereedschap en de accessoires, het warm houden van de handen (in geval van trillingen) en het organiseren van werkpatronen.

PT**⚠ AVISO**

Os valores de vibração totais declarados e o nível de emissão de ruído dado nesta ficha de informações foi medido de acordo com um teste normalizado e pode ser utilizado para fazer comparações entre ferramentas. Podem ser utilizados para uma avaliação preliminar da exposição.

O nível declarado de emissão de vibrações e ruído representa as aplicações principais da ferramenta. Contudo, se a ferramenta for utilizada para várias aplicações, com diferentes acessórios ou se receber manutenção insuficiente, a emissão de vibrações e ruído pode ser diferente. Estas condições podem aumentar significativamente o nível de exposição ao longo do período total de trabalho. Uma estimativa do nível de exposição às vibrações e ruído deverá também levar em conta os tempos que a ferramenta está desligada ou que está a funcionar mas sem estar a ser utilizada para trabalho. Estas condições podem reduzir significativamente o nível de exposição ao longo do período total de trabalho.

Identifique medidas de segurança adicionais para proteger o operador dos efeitos da vibração e ruído, tal como a manutenção da ferramenta e dos acessórios, manter as mãos quentes (em caso de vibração) e organizar padrões de trabalho.

DA**⚠ ADVARSEL**

Vibrations- og støjemissionsværdierne, der er angivet i denne vejledning er målt i overensstemmelse med en standardiseret test og kan bruges til at sammenligne et værktøj med et andet. De kan bruges til en foreløbig vurdering af udsættelse.

De angivne vibrations- og støjemissionsværdier repræsenterer værktøjets hovedanvendelser. Hvis værktøjet imidlertid anvendes til andre former for forskellig tilbehør eller er dårligt vedligeholdt, kan vibrations- og lydmissionen afvige. Disse forhold kan i væsentlig grad forøge udsættelsesniveauerne over den samlede arbejdsperiode. Et overstig over udsættelsesniveauet for vibrationer og støj bør også tage højde for de gange, hvor værktøjet er slukket, eller når det kører i tomgang. Disse forhold kan i betragteligt omfang reducere udsættelsesniveauet over den samlede arbejdsperiode.

Find yderligere sikkerhedsforanstaltninger, der kan beskytte operatøren mod virkningerne af vibrationer og støj, såsom vedligeholdelse af værktøjet og tilbehør, holde hænderne varme (i tilfælde af vibrationer) og organisering af arbejds mønster.

SV



VARNING

De angivna totala vibrations- och bulleremissionsvärdena som anges i denna instruktionsmanual har uppmåtts i enlighet med ett standardiserat test och kan användas för att jämföra olika verktyg. De kan användas för en preliminär bedömning av exponering.

De angivna vibrations- och bulleremissionsvärdena representerar verktygets huvudsakliga användningsområden. Om verktyget emellertid används i andra tillämpningar, med andra tillbehör eller underhålls bristfälligt, kan vibrationer och bulleremission skilja sig från de angivna. Dessa förhållanden kan öka exponeringsvärdena under den totala arbetsperioden avsevärt. En uppskattning av exponeringsnivån för vibrationer och buller bör även ta med i beräkningen de tider då verktyget är avstängt eller när det är igång men inte används i arbete. Dessa förhållanden kan minska exponeringsnivån under den totala arbetsperioden avsevärt.

Identifiera ytterligare säkerhetsåtgärder för att skydda operatören från effekterna av vibrationer och buller, såsom att underhålla verktyget och tillbehören, hålla händerna varma (i händelse av vibrationer) och organisera arbetsmönster.

FI



VAROITUS

Tässä ohjekäsikirjassa tärinälle annettu kokonaisarvot ja ilmoitetut melupäästöarvot on mitattu standardoidun kokeen mukaisesti, ja niitä voidaan käyttää työkalujen vertaamiseen toisiinsa. Niitä voidaan käyttää altistumisen alustavaan arvioimiseen.

Ilmoitetut tärinä- ja melupäästöarvot koskevat työkalun pääkäyttötarkoituksia. Tärinäpäästö voi kuitenkin vaihdella, jos työkalua käytetään eri käyttötarkoituksiin, eri tavuilla tai huonosti huollettuina. Mainitut olosuhteet saattavat nostaa altistumistasoa huomattavasti kokonaisarvojakson aikana. Tärinän ja melun altistumistason arviointi tulisi ottaa huomioon myös silloin, kun työkalu on kytketty pois päältä tai kun se on kääntäessä, mutta sitä ei varsinaisesti käytetä. Mainitut olosuhteet saattavat vähentää huomattavasti altistumistasoa kokonaisarvojakson aikana.

Lisäturvatoimenpiteillä, kuten työkalun ja lisävarusteiden huoltamisella, käsiin lämpimänä pitämisellä (tärinän tapauksessa) ja työmallien järjestämisellä, voit suojella käyttäjä tärinältä ja melulta.

NO



ADVARSEL

De erklærte totale vibrasjonsverdiene og de erklærte støytstøtverdiene gitt i denne brukerhåndboken har blitt målt i samsvar med en standardisert test og kan brukes til å sammenligne ett verkøy med ett annet. De kan brukes for en preliminær vurdering av eksponering.

De opplyste vibrasjons- og støytstøtverdiene representerer verkøyet hovedbruksområdene. Men hvis verkøyet brukes til ulike bruksområder, brukes med ulike tilbehør eller vedlikeholdet er dårlig, kan vibrasjons- og støytstøtverdi være forskjellig. Disse forholdene kan øke eksponeringsnivået betraktelig i løpet av hele arbeidsperioden. En vurdering av eksponeringsnivået for vibrasjon og støy skal ta hensyn til de gangene verkøyet er slått av eller går på tomgang. Disse forholdene kan betydelig redusere eksponeringsnivået over den totale arbeidsperioden.

Identifiser ytterligere sikkerhetstiltak for å beskytte operatøren mot virkningen av vibrasjon og støy, slik som å vedlikeholde verkøyet og tilbehøret, holde hendene varme (i tilfelle vibrasjon) eller organisere arbeidsmønster.

RU



ОСТОРОЖНО

Заявленные данные о совокупном уровне вибрационного и шумового воздействия, указанные в настоящем руководстве, получены в ходе стандартизированных исследований и могут использоваться для сравнения инструментов. Могут применяться в рамках предварительной оценки степени воздействия.

Заявленный уровень вибрационного и шумового воздействия учитывает основные области применения инструмента. При этом, если инструмент используется иным образом, с другим оборудованием либо некачественно обслуживается, степень вибрационного и шумового воздействия может отличаться. В рамках всего периода эксплуатации эти условия могут способствовать значительному повышению уровней воздействия. Расчет уровня вибрационного и шумового воздействия должен также проводиться с учетом количества выключений инструмента и продолжительности работы на холостом ходу. В рамках всего периода эксплуатации эти условия могут способствовать значительному снижению уровня воздействия.

Обеспечьте дополнительные меры защиты оператора от воздействия вибрации и шума, например, техническое обслуживание инструмента и принадлежностей, поддержания температуры рук (в случае вибрации) и организации графика работ.

PL



OSTRZEŻENIE

Podany w niniejszej instrukcji łączny poziom emisji wibracji zmierzono zgodnie ze znormalizowaną metodą testowania — może on być wykorzystywany do wzajemnego porównywania narzędzi. Można go wykorzystywać do wstępnej oceny narażenia.

Deklarowany poziom emisji wibracji i hałasu odpowiada głównym zastosowaniom narzędzia. Jeżeli jednak narzędzie będzie używane do innych zastosowań lub z innymi akcesoriami, bądź też jeśli będzie niewłaściwie konserwowane, poziom emisji wibracji i hałasu może się różnić. Warunki takie mogą doprowadzić do znaczącego wzrostu poziomu narażenia w całym okresie eksploatacji. Oszacowanie poziomu narażenia na wibracje i hałas powinno również uwzględniać okresy, w których narzędzie jest wyłączone bądź działalo, ale nie jest wykorzystywane do pracy. Warunki takie mogą doprowadzić do znaczącego ograniczenia poziomu narażenia w całym okresie eksploatacji.

Należy zidentyfikować dodatkowe środki bezpieczeństwa mające na celu ochronę operatora przed skutkami wibracji i hałasu, takie jak konserwacja narzędzia i akcesoriów, utrzymywanie ciepła dłoni (w przypadku wibracji) oraz organizacja pracy.

CS



VAROVÁNÍ

Deklarované celkové hodnoty vibrací a deklarované hodnoty hluku uvedené v tomto návodu byly změněny standardizovanou zkušební metodou a mohou být použity k porovnání jednoho mihovače s druhým. Může být použity k předběžnému posouzení vystavení vibračím a hluku.

Deklarované hodnoty vibrací a hluku jsou vymezeny hlavními způsoby použití tohoto mihovače. Pokud je však mihovač použit jiným způsobem, s jiným příslušenstvím nebo při nedostatečném údržbě, úrovně vibrací a hluku se mohou lišit. Tyto podmínky mohou podstatně zvýšit úroveň vystavení vibračím a hluku za celou pracovní dobu. Při odhadu úrovně vystavení vibračím a hluku je nutné vzít v úvahu také dobu, kdy je mihovač vypnutý nebo běží naprázdno. Tyto podmínky mohou podstatně snížit úroveň vystavení vibračím a hluku za celou pracovní dobu.

K ochraně obsluhy před účinky vibrací a hluku určete další bezpečnostní opatření, například provádění údržby mihovače a příslušenství, udržování rukou v teple (v případě vibrací) a organizování pracovních cyklů.

HU



FIGYELMEZTETÉS

A jelen használati kézikönyvben közölt rezgés- és zajkibocsátási értékeket szabványosított vizsgálat segítségével mértük, amelynek segítségével az eszközök egymással összehasonlíthatók. Ezek alkalmazhatóak a kitétség előzetes felmérésére is.

A megadott rezgés-kibocsátási és zajkibocsátási szint az eszköz fő alkalmazásait jelöli. Azonban ha az eszközt nem megfelelően tartják karban, különböző alkalmazásokra vagy eltérő tartozékokkal használják, akkor a rezgés- és zajkibocsátás változhat. Ezek a beavatkozások jelentősen növelhetik a kitétségi szintet a teljes működési időtartam során. A rezgésnek és zajnak való kitétségi szint becslést akkor is figyelembe kell venni, amikor az eszközök ki van kapcsolva, vagy amikor csak tényleg jár. Ezek jelentősen csökkenthetik a kitétségi szintet a teljes működési időtartam során.

A kezelő rezgés- és zajártalom elleni védelméhez tegyen meg további biztonsági intézkedéseket, mint pl. az eszköz és alkatrészei karbantartása, a kéz melegen tartása (rezgés esetén) és a munkavégzési folyamat megszerzése.

RO



AVERTISMENT

Nivelul total al vibrațiilor și valorile emisiilor de zgomot declarate în acest manual cu instrucțiuni au fost măsurate în conformitate cu o metodă de testare standardizată și pot fi utile pentru compararea uneltelor între ele. Acestea pot fi utilizate pentru evaluarea preliminară a expunerii.

Valorile emisiilor de vibrație și de zgomot declarate sunt relevante pentru domeniul de utilizare al acesteia unelte. Totuși, dacă uneltele este utilizată în alte scopuri, cu alte accesorii sau este întreținută necorespunzător, nivelul vibrațiilor și al zgomotului poate fi diferit. În acest caz, nivelul de expunere total, pe parcursul întregii perioade de lucru, poate crește. O estimare a nivelului de expunere la vibrații și zgomot trebuie să țină cont și de numărul de porniri-opri, precum și de perioada în care uneltele este oprită sau funcționează în gol. În acest caz, nivelul de expunere total, pe parcursul întregii perioade de lucru, poate fi mai mic.

Identificați măsuri de protecție suplimentare pentru protecția operatorului contra efectelor vibrațiilor și zgomotului, precum întreținerea uneltei și a accesoriilor, menținerea mâinilor calde (în caz de vibrație) și organizarea de perioade de lucru.

LV



BRĪDINĀJUMS

Deklarētie kopējie vibrāciju līmeņi un deklarētie trokšņu izstarošanas līmeņi, kas norādīti šajā instrukcijā ir mērīti saskaņā ar standartizētajiem testiem, un var tikt izmantoti viena instrumenta salīdzināšanai ar citu. Tos var izmantot sākotnējai ietekmes novērtēšanai.

Deklarētās vibrāciju un trokšņu veidošanās vērtības atspoguļots galvenajam instrumenta pielietojumam. Tomēr, ja trokšņu testu izmantots citam pielietojumam, izmantots ar citiem aksesuāriem, vai netiek pienācīgi kopts, vibrāciju un trokšņu līmeņis var atšķirties. Šie apstākļi var būtiski palielināt ietekmes līmeni visā darba laikā. Vibrāciju un trokšņu iedarbības līmeņa noteikšanai jāņem vērā arī laika posmi, kad instrumenti ir izslēgti, vai arī darbojas tukšgaitā. Šie apstākļi var būtiski samazināt ietekmes līmeni visā darba laikā.

Nosakiet papildu drošības pasākumus, lai aizsargātu lietotāju no vibrācijas un trokšņu ietekmes, piemēram, veicot instrumenta un aprīkojuma apkopes, roku uzturēšana siltumā (vibrāciju gadījumā), vai organizējot darba grafiku.

LT



ĮSPĖJIMAS

Šioje naudojimo instrukcijoje nurodytos keliamos vibracijos vertes nustatytos atsižvelgiant į standartinį bandymo metodą, todėl jas galima palyginti su kitų elektrinių įrankių keliamo vibracija. Jos taip pat gali būti naudojami preliminariam vibracijos poveikiui įvertinti.

Deklaruojamos vibracijos ir skleidžiamo triukšmo vertės atspindi pagrindinius įrenginio taikymo būdus. Tačiau, jei šiuo įrenginiu atliekami kiti darbai, naudojant kitus priedus arba prastai prižiūrimus priedus, keliamos vibracijos ir triukšmo vertės gali skirtis. Šiomis sąlygomis gali žymiai padidėti vibracijos poveikio lygtis per visą darbo laiką. Vertinant vibracijos ir triukšmo poveikio lygtį per tam tikrą darbo laikotarpį, reikia atsižvelgti ne tik į laiką, kai įrenginys veikia, bet ir į tą laiką, kai įrenginys yra išjungtas, ir į laiką, kai jis veikia tuščiajia eiga be apkrovos. Šiomis sąlygomis gali žymiai sumažėti vibracijos poveikio lygtis per visą darbo laiką.

Nustatykite papildomas saugos priemones, skirtas operatoriui apsaugoti nuo vibracijos ir triukšmo poveikio, pvz., technikai prižiūrėti įrenginį ir priedus, laikykite rankas šiltai (vibracijos atveju) ir organizuokite darbo paimains.

ET



HOIATUS

Kāesolevas juhenditood viibratsiooniinase ja deklarētieit mēraemissiooni vārtēusid un mōdētud standartmēetodi jātā ja seda saab kasutada tōristade omavaheliseks vōrdlemiseks. Neid vōdi kasutada ka emissiooni esialgseks hindamiseks.

Deklarētieit viibratsiooni ja mēraemissiooni vārtēus kehtivad tōristade peamistele rakendustele. Kui āga tōristate kasutatase muudeks tōdēeks, rakendatase teisi tarvikuid vōi kui tōristate hooldus lope piisav, vōib viibratsiooni ja mēraemissiooni tase kōikuda. Need tingimused vōivad emissiooni tōpēeroodi jooksul tunduvalt suurendada. Viibratsiooni ja mēraemissiooni tāpseks hindamiseks tuleb arvestada vōtta ka aega, mil seade on vālja lilitatud vōi sisse lilitatud, kuid telegikult tōde rakendatata. Need tingimused vōivad emissiooni tōpēeroodi jooksul tunduvalt vāhendada.

Tehe kindlaks tāendavad ohutusmeetmed kasutaja kaitsmiseks viibratsiooni ja mēra mōju eest. Nāiteks tōristate ja lisaseadmete hooldamine, kāte soojas hooldmine (viibratsiooni korral) ja tōokorraldus.

HR



UPOZORENJE

Deklarirane ukupne vrijednosti vibracija i deklarirane emisije buke navedene u ovom priručniku su uputama izmjerene su u skladu sa standardiziranim ispitnom metodom i mogu se koristiti za usporedbu jednog alata s drugim. Moguće ih je upotrijebiti za preliminarnu procjenu izlaganja.

Deklarirane vrijednosti emisije vibracija i buke predstavljaju glavne primjene alata. Međutim, ako se alat koristi za druge primjene, koristi s različitim dodacima ili ako se loše održava, emisija vibracija i buke se može razlikovati od navedene vrijednosti. Ti uvjeti mogu uzrokovati značajno povećanje razine izloženosti u ukupnom vremenu rada alatom. Procjena razine izloženosti vibracijama i buci također bi trebala uzeti u obzir i vrijeme u kojem je alat isključen ili radi u praznom hodu. Ti uvjeti mogu uzrokovati značajno smanjenje razine izloženosti u ukupnom vremenu rada alatom.

Utvrđite dodatne sigurnosne mjere za zaštitu rukovatelja od djelovanja vibracija i buke, kao što su održavanje alata i pribora, održavanje topline ruku (u slučaju vibracija) i organiziranje radnog vremena.

SL



OPOZORILO

Skupni vrednosti emisiji vibraciji in emisiji hrupa, navedeni v tem priručniku, sta bili izmerjeni v skladu z metodo standardiziranega preskusa in se lahko uporabljata za medsebojno primerjavo orodja. Uporabljajo se lahko za predhodno oceno stopnje izpostavljenosti.

Navedeni vrednosti emisiji vibraciji in hrupa veljata za glavne namene uporabe orodja. Vendar, če se orodje uporablja v druge namene, z drugačnimi dodatki ali je slabo vzdrževano, sta lahko ravni emisiji vibraciji in hrupa drugačni. V tem pogojih se lahko stopnja izpostavljenosti v celotnem delovnem obdobju občutno zviša. V oceni stopnje izpostavljenosti vibracijam in hrupa je treba upoštevati tudi obdobja, v katerih je orodje ugasnjeno oziroma teče, vendar ni v dejanski uporabi. V tem pogojih se lahko stopnja izpostavljenosti v celotnem delovnem obdobju občutno zniža.

Ugotovite dodatne varnostne ukrepe za zaščito uporabnika pred učinki vibraciji in hrupa, kot je vzdrževanje orodja in dodatkov, ohranjanje toplih rok (v primeru vibraciji) in organizacija delovnih vzorcev.

SK



VAROVANIE

Deklarované celkové hodnoty vibrací a deklarované hodnoty emisii hluku uvedené v tomto návodu na obsluhu boli merané v súlade so štandardizovanou skúškou a môžu sa použiť na porovnanie jedného náradia s druhým. Môžu sa použiť na predbežné posúdenie expozície.

Deklarované hodnoty vibráci a emisii hluku sú pre hlavné použitia náradia. No ak sa náradie používa na iné aplikácie, v spojení s iným príslušenstvom alebo je jeho údržba nepostačujúca, emisie vibráci a hluku sa môžu líšiť. Tieto podmienky značne zvýšia úroveň expozície počas celkovej pracovnej doby. Odhad úrovne expozície účinkom vibráci a hluku môžu tak tiež zohľadniť časy vypnutia náradia alebo ak beží na voľnobeh. Tieto podmienky môžu značne znížiť úroveň expozície počas celkovej pracovnej doby.

Identifikujte ďalšie bezpečnostné opatrenia na ochranu obsluhu pred účinkami vibráci a hluku, ako je napríklad udržiavanie náradia a príslušenstva, udržiavanie teplých rúk (v prípade vibráci) a organizácia pracovných postupov.

BG



ВНИМАНИЕ

Декларираните общи стойности на излъчените вибрации и на шумовите емисии, посочени в настоящото ръководство, са измерени в съответствие със стандартизиран тестов метод и може да се използват за сравнение на един инструмент с друг. Те може да се използват за предварително оценяване на въздействието.

Декларираните стойности на излъчените вибрации и на шумовите емисии представляват основните приложения на инструмента. Въпреки това, ако инструментът се използва за различни приложения, с различни принадлежности или поддръжката му е некачествена, излъчените вибрации и шумовите емисии могат да се различават. Тези условия може значително да увеличат нивото на излагане през целия срок на работа. При оценяването на излагане на вибрации и шум също трябва да се вземе предвид колко пъти инструментът е бил изключен или колко пъти е работил на празен ход. Тези условия може значително да намалят нивото на излагане през целия срок на работа.

Определете допълнителни мерки за предпазване на оператора от ефектите от вибрациите и шума, като например поддръжка на инструментата и аксесоарите, поддръжане на ръцете топли (в случай на вибрации), организация на моделите за работа.

UK



ПОПЕРЕДЖЕННЯ

Значенията вибрації та шуму, наведені в цьому керівництві, вимірювалися відповідно до стандартизованого методу виробництва та можуть бути використані для порівняння одного інструменту з іншим. Ними можна користуватися для попередньої оцінки впливу.

Наведені значення вимірюно при стандартній експлуатації виробу. Утім якщо виб користуватесь для інших цілей, з іншими додатковими пристосуваннями або ж не проходить належного обслуговування, рівні вібрації та шуму можуть відрізнятись від зазначених. Як наслідок, рівні впливу впродовж загального робочого часу можуть значно збільшитись. При оцінці рівнів впливу вібрації та шуму слід враховувати періоди, коли вибір вимкнений або працює на холостих обертах. Як наслідок, рівні впливу впродовж загального робочого часу можуть значно зменшитись.

Дотримуйтеся додаткових заходів, які можуть захистити оператора від впливу вібрації та шуму: підтримуйте пристрій та додаткові пристосування у належному стані, слідкуйте, щоби руки залишалися теплими (при вібрації), та продумайте графік роботи.

TR



UYARI

Bu kullanim kilavuzunda verilen toplam titreşim değerleri ve gürültü emisyonu değerleri standartlaştırılmış bir teste göre ölçülmüştür ve bir aleti diğerine karşılaştırılmak için kullanılabılır. Maruz kalmamın önceden değerlendirilmesi için kullanılabılır.

Buyan edilen titreşim ve gürültü emisyonu değerleri aletin ana uygulananlarım temsil eder. Ancak, alet farklı uygulamalar için kullanılıyorsa, farklı aksesuarlarla kullanılıyorsa ve bakımı yapılmıyorsa, titreşim ve gürültü emisyonu değişiklik gösterebilir. Bu koşullar toplam çalısma süresi genelindeki maruz kalma düzeylerini önemli oranda artırabilir. Titreşim ve gürültü emisyon maruz kalma seviyelerini tahminleme aletini kapatıldığında veya boşta çalıştığı süreler dikkate alınmalıdır. Bu koşullar toplam çalısma süresi boyunca maruz kalma seviyelerini önemli oranda azaltabilir.

Kullanıcı kişiyi titreşim ve gürültüden etkilerinden korumak için aletini ve aksesuarlarını bakımları yapmaktır, (titreşim halinde) elleri sık tutmak ve çalısma modelleri organize etmek gibi ilave güvenliğin önlemlerini tanımlayan.

EL



Προειδοποίηση

Οι δηλωθείσες συνολικές τιμές κραδασμών και εκπομπών θορύβου που αναφέρονται σε αυτό το εγχειρίδιο ορίστηκαν έχοντας μετρηθεί σύμφωνα με μια τυποποιημένη μέθοδο δοκιμής και μπορούν να χρησιμοποιηθούν για τη σύγκριση εργαλείων μεταξύ τους. Μπορούν να χρησιμοποιηθούν για προκαταρκτική αξιολόγηση της έκθεσης.

Οι δηλωθείσες τιμές κραδασμών και εκπομπών θορύβου αφορούν ισχύον για τις κύριες εφαρμογές του εργαλείου. Ωστόσο, εάν το εργαλείο χρησιμοποιηθεί για διαφορετικές εφαρμογές, με διαφορετικά εξαρτήματα ή δεν συντηρείται σωστά, οι τιμές κραδασμών και εκπομπών θορύβου μπορεί να διαφέρουν. Οι προϋποθέσεις αυτές μπορεί να αυξήσουν σημαντικά τα επίπεδα έκθεσης κατά τη διάρκεια της συνολικής περιόδου εργασίας. Ας πρέπει να Αρθεί ησυχία από εκτίμηση της έκθεσης σε κραδασμούς και θόρυβο όταν το εργαλείο είναι απενεργοποιημένο ή όταν μεταβαίνει σε αδράνεια. Ο συνθήκες αυτές μπορεί να μειώσουν σημαντικά τα επίπεδα έκθεσης κατά τη διάρκεια της συνολικής περιόδου εργασίας.

Προσδιορίστε πρόσθετα μέτρα ασφαλείας για την προστασία του εργασιού από τις επιπτώσεις των κραδασμών και του θορύβου, όπως συντήρηση του εργαλείου και των εξαρτημάτων, διατήρηση των χεριών ζεστών, (σε περίπτωση κραδασμών) και οργάνωση σχεδίων εργασίας.

EN RYOBI WARRANTY APPLICATION CONDITIONS

In addition to any statutory rights arising from the purchase of a product and without prejudice on the statutory rights which apply independently and free of charge, all new RYOBI branded power tools and/or other garden tools listed on our website, excluding tool accessories, tool storage systems, and spare parts, as further outlined under ("Product"), are covered by a voluntary guarantee issued by Technronic Industries GmbH ("TTI") subject to the terms and conditions as stated below ("Guarantee").

The Guarantee is only applicable to purchaser(s) who purchase the products as end users in their capacity as consumers ("Consumer"). Retailers, rental companies, as well as professional end users are expressly excluded from these general terms and conditions of the Guarantee. For professional end users, a different type of voluntary guarantee may be applicable to certain product(s), if explicitly provided on the www.ryobitools.eu website. The invocation of this voluntary Guarantee does not limit the statutory legal rights of the Consumer in case of a defect.

1. The standard Guarantee ("Standard Guarantee"), provided that the Product is purchased for private use only, has a term of 24 months ("Standard Guarantee Period") and commences on the date the product was purchased. This date must be documented by an invoice or other proof of purchase in order for the Standard Guarantee to be valid and enforceable. This Standard Guarantee also only applies to new Product(s).

2. Consumers in certain countries may be able to extend the Standard Guarantee for eligible Products beyond the period of the Standard Guarantee by registering on the www.ryobitools.eu website. The eligibility of Products for the extended Guarantee ("Extended Guarantee") is specified on the packaging of a Product, on the website at www.ryobitools.eu, and/or is contained within the relevant Product documentation under <https://www.ryobitools.eu>. In order to benefit from the Extended Guarantee, Consumers are required to register their Product(s) online within 30 calendar days from the date of purchase to benefit from this Extended Guarantee. All personal information of a Consumer will be processed in accordance with the privacy statement, which can be found here <https://uk.ryobitools.eu/footer-links/privacy-policy/>. The registration confirmation receipt, which is sent out by e-mail, and the original invoice showing the date of purchase will serve as proof of the Extended Guarantee.

3. The Standard Guarantee and the Extended Guarantee ("Guarantees") are limited to repair and/or replacement of the defective Product at the discretion of TTI provided that the defect in workmanship or material existed at the date of purchase. No further costs or losses can be claimed. In addition, the Guarantees do not apply to:

- any damage caused accidentally, wilfully, or negligently by the Consumer
- any damage to the Product that is the result of improper treatment or lack of maintenance
- any Product that has been altered or modified
- any Product where original identification (trade mark, serial number) markings have been defaced, altered or removed
- any damage caused by non-observance of the instruction manual
- Products, which are not subject to a CE/UKA marking
- any Product that has been attempted to be repaired by a non-authorized service centre or without prior authorisation by TTI
- any Product connected to improper power supply (amps, voltage, frequency)
- any Product used with inappropriate fuel mixture (fuel, oil, ratio of oil)
- any damage caused by external influences (water, chemical, physical, shocks) or foreign substances
- normal wear and tear of spare parts
- inappropriate use, overloading of the Product(s)
- use of non-approved accessories or parts
- power tool accessories provided with the tool or purchased separately. Such exclusions including but not limited to screw driver bits, drill bits, abrasive discs, sand paper and blades, lateral guide
- components (parts and accessories) which are subject to normal wear and tear, including but not limited to service and maintenance kits, carbon brushes, bearings, chuch, SDS drill bit attachment or reception, power cord, auxiliary handle, transport carry case, sanding plate, dust, dust exhaust tube, felt washers, impact wrench pins and springs, bump knobs, drive belts, clutch, blades of hedge trimmers or lawnmowers, harness, cable throttle, lines, felt washers, hitch pins, blower fans, blower and vacuum tubes, vacuum bag and straps, guide bars, saw chains, hoses, connector fittings, spray nozzles, wheels, spray wands, inner reels, outer spools, cutting lines, spark plugs, air filters, gas filters, mauling blades, etc.

4. For guarantee evidence, the Product(s) must be sent or presented without undue delay after occurrence or recognition of the defect in workmanship or material to an authorised RYOBI service partner listed on the following website <https://www.ryobitools.eu>. Consumers can obtain the services under the Guarantees from a RYOBI service partner by

- contacting the retailer where the purchase was made; or
- registering via the service platform available on the RYOBI Commercial webpage <https://www.ryobitools.eu/>, the availability of the process might vary from country to country.

When sending a Product to an authorised RYOBI service partner, the Product shall be safely packaged without hazardous contents (for details, please see the safety instructions on the website at <https://www.ryobitools.eu>), marked with sender's address and accompanied by a short description of the defect. Please note that in some countries delivery charges or postage will have to be paid by the sender according to local practice. Please consult your local authorised RYOBI service centre to confirm whether such charges apply.

5. Upon receipt of the Product claimed to be defective by the Consumer, it will be inspected. When the defect has been confirmed, the services under the Guarantees will be provided by repairing the defective parts of the products or replacing them by non-defective parts at TTI's discretion. If TTI refuses to repair the defect or if, at TTI's discretion, the repair has failed, an equivalent replacement will be supplied. The replaced Product(s) or part(s) will become the property of TTI. Any repair/replacement(s) under the Guarantees above are free of charge. The repair/replacement(s) conducted by TTI do not constitute an extension or a new start of the Guarantees. The replaced spare parts are subject to the Guarantees originally given and the period for the Guarantees will end with period for the Guarantee that was originally given for the entire product.

6. The RYOBI Guarantees are granted by Technronic Industries GmbH, Max-Eyth-Str.10, 71364 Winnenden, Germany, only to the Consumer that originally purchased the Product and may not be transferred or assigned.

7. The Guarantees are valid in the European Economic Areas (EEA), Switzerland, and the United Kingdom. Outside these areas, please contact the retailer where the purchase was made to find out if another voluntary guarantee applies.

AUTHORISED SERVICE CENTRE

Any request or issue with the product can be addressed to your local authorised service centres (visit www.ryobitools.eu) or directly to: Technronic Industries GmbH, Max-Eyth Straße 10, 71364 Winnenden, Germany. Please state the serial number and product type printed on the label.

FR CONDITIONS D'APPLICATION DE LA GARANTIE RYOBI

Outre les droits statutaires découlant de l'achat d'un produit et sans préjudice des droits statutaires qui s'appliquent indépendamment et gratuitement, tous les nouveaux outils électriques et/ou outils de jardin de marque RYOBI répertoriés sur notre site Web, à l'exclusion des accessoires pour outils, des systèmes de rangement pour outils et des pièces de rechange, comme décrit ci-dessous (« Produit »), sont couverts par une garantie volontaire émise par Technronic Industries GmbH (« TTI ») sous réserve des conditions générales mentionnées ci-dessous (« Garantie »).

La Garantie ne s'applique qu'aux acheteurs qui achètent les produits en tant qu'utilisateurs finaux et en leur qualité de consommateurs (« Consommateur »). Les détaillants, les sociétés de location ainsi que les utilisateurs finaux professionnels sont expressément exclus des présentes conditions générales de la Garantie. Pour les utilisateurs finaux professionnels, un autre type de garantie volontaire peut être applicable à certains produits, si cela est expressément indiqué sur le site Web www.ryobitools.eu. Le recours à cette Garantie volontaire ne limite pas les droits légaux du Consommateur en cas de défaut.

1. La Garantie standard (« Garantie standard »), à condition que le produit soit acheté pour un usage privé uniquement, couvre une période de 24 mois (« Période de garantie standard ») et commence à la date d'achat du produit. Cette date doit être attestée par une facture ou une autre preuve d'achat pour que la Garantie standard soit valide et applicable. Cette Garantie standard s'applique également uniquement au(x) produit(s).

2. Les Consommateurs de certains pays peuvent être en mesure de prolonger la Garantie standard pour les Produits éligibles au-delà de la période de la Garantie standard en s'enregistrant sur le site Web www.ryobitools.eu. L'éligibilité des Produits à la garantie étendue (« Garantie étendue ») est spécifiée sur l'emballage d'un Produit, sur le site Web à l'adresse www.ryobitools.eu, et/ou est mentionnée dans la documentation relative au Produit concerné à l'adresse <https://www.ryobitools.eu>. Pour bénéficier de la Garantie étendue, les Consommateurs sont tenus d'enregistrer leur(s) Produit(s) en ligne dans les 30 jours calendaires suivant la date d'achat. Toutes les informations personnelles d'un Consommateur seront traitées conformément à la déclaration de confidentialité, disponible à l'adresse suivante : <https://uk.ryobitools.eu/footer-links/privacy-policy/>. Le reçu de confirmation de l'enregistrement, envoyé par courrier électronique, et la facture originale indiquant la date d'achat servent de preuve pour la Garantie étendue.

3. La Garantie standard et la Garantie étendue (« Garanties ») se limitent à la réparation et/ou au remplacement du Produit défectueux à la discrétion de TTI, si le défaut de fabrication ou de matériau était présent à la date d'achat. Les frais ou pertes supplémentaires ne peuvent être réclamés. En outre, les Garanties ne s'appliquent pas :

- aux dommages causés accidentellement, volontairement ou par négligence par le Consommateur
- aux dommages causés au Produit en raison d'un mauvais traitement ou d'un manque d'entretien
- aux Produits qui ont été altérés ou modifiés
- aux Produits dont les marquages d'identification d'origine (marque, numéro de série) ont été dégradés, modifiés ou enlevés
- aux dommages causés par le non-respect du manuel d'instructions
- aux Produits qui ne font pas l'objet d'un marquage CE/UKA
- aux Produits ayant fait l'objet de tentatives de réparation par un centre d'entretien non agréé ou sans l'autorisation préalable de TTI
- aux Produits raccordés à une alimentation électrique inadaptée (ampérage, tension, fréquence)
- aux Produits utilisés avec un mélange de carburants inapproprié (carburant, huile, proportion d'huile)
- aux dommages causés par des influences extérieures (eau, produits chimiques, produits, choc) ou des substances étrangères
- à l'usure naturelle des pièces détachées
- à une utilisation inappropriée, à une surcharge du ou des Produits
- à l'utilisation d'accessoires ou de pièces non agréés
- aux accessoires de l'outil électrique fournis avec l'outil ou achetés séparément. Ces exclusions comprennent, mais sans s'y limiter, les embouts de tournevis, les forets, les disques abrasifs, le papier abrasif, les lames, le guide latéral
- les consommables (pièces et accessoires) sujets à une usure naturelle, y compris, mais sans s'y limiter, les kits d'entretien et de maintenance, les brosses en carbone, les roulements, le manivelle, le foret ou la réception SDS, le cordon d'alimentation, la pignone auxiliaire, la manivelle de transport, la plaque de ponçage, le sac à poussière, le tuyau d'évacuation de poussière, les rondelles en fer, les goupilles et les ressorts de la clé à choc, les têtes de fil à fraiser, les courroies d'entraînement, l'embrayage, les lames de taille-haies ou de tondeuses à gazon, le harnais, le câble d'accélération, les dents, les goupilles d'attelage, les ventilateurs de soufflerie, les tubes de soufflerie et d'aspiration, les sangles et le sac d'aspiration, les barres de guidage, les chaînes de scie, les flexibles, les raccords de connexion, les buses de pulvérisation, les roues, les baguettes de pulvérisation, les bobines intérieures et extérieures, les lignes de coupe, les bougies d'allumage, les filtres à air, les filtres à carburant, les lames de décapotage, etc.

4. Pour bénéficier de la garantie, le ou les Produits doivent être envoyés ou présentés immédiatement après l'apparition ou la constatation du défaut de fabrication ou de matériau à un partenaire de service RYOBI agréé, dont la liste figure sur le site Web <https://www.ryobitools.eu>. Les Consommateurs peuvent bénéficier des services prévus par les Garanties auprès d'un partenaire de service de RYOBI

- en contactant le détaillant auprès duquel l'achat a été effectué; ou
- en s'inscrivant via la plateforme de service disponible sur le page Web commerciale de RYOBI <https://www.ryobitools.eu/>. La disponibilité peut varier d'un pays à l'autre.

Lors de l'envoi d'un Produit à un partenaire de service RYOBI agréé, le Produit doit être emballé soigneusement et sans contenu dangereux (pour plus de détails, veuillez consulter les instructions de sécurité sur le site Web <https://www.ryobitools.eu>), comporter l'adresse de l'expéditeur et être accompagné d'une brève description du défaut. Veuillez noter que dans certains pays, les frais de livraison ou d'affranchissement doivent être payés par l'expéditeur conformément aux pratiques locales. Veuillez consulter votre centre d'entretien local RYOBI agréé pour savoir si ces frais s'appliquent.

5. Le Produit déclaré défectueux par le Consommateur sera inspecté dès sa réception. Une fois le défaut confirmé, les services prévus par les Garanties seront assurés avec la réparation des pièces défectueuses des produits ou leur remplacement par des pièces non défectueuses, à la discrétion de TTI. Si TTI refuse de réparer le défaut ou si la réparation a échoué, à la discrétion de TTI, un produit de remplacement équivalent sera fourni. Les Produits ou pièces remplacés deviennent alors la propriété de TTI. Les réparations ou remplacements effectués dans le cadre des Garanties susmentionnées sont gratuits. Les réparations/remplacements effectués par TTI ne constituent pas une extension ou une nouvelle entrée en vigueur des Garanties. Les pièces de rechange remplacées sont soumises aux Garanties initialement accordées et la période des Garanties se terminera en même temps que la période de la Garantie initialement accordée pour l'ensemble du produit.

6. Les Garanties RYOBI sont accordées par Technronic Industries GmbH, Max-Eyth-Str.10, 71364 Winnenden, Allemagne, uniquement au Consommateur qui a initialement acheté le Produit et ne peuvent être transférées ou cédées.

7. Les Garanties sont valables dans l'Espace économique européen (EEE), en Suisse et au Royaume-Uni. En dehors de ces zones, veuillez contacter le détaillant auprès duquel l'achat a été effectué pour savoir si une autre garantie volontaire s'applique.

CENTRE D'ENTRETIEN AGRÉÉ

Toute demande ou tout problème concernant le produit peut être transmis à votre centre de réparation agréé local (consultez www.ryobitools.eu) ou directement à : Technronic Industries GmbH, Max-Eyth Straße 10, 71364 Winnenden, Germany. Veuillez mentionner le numéro de série et le type de produit imprimés sur l'étiquette.

DE ANWENDUNGSBEDINGUNGEN DER RYOBI-GARANTIE

Zusätzlich zu den beim Kauf eines Produkts generell bestehenden gesetzlichen Rechten – und unbeschadet dieser gesetzlichen Rechte, die weiterhin unabhängig und kostenfrei bestehen – sind alle auf unserer Website angebotenen neuen Elektrowerkzeuge und/oder Gartenwerkzeuge der Marke RYOBI – wie Kaufumlauf (Produkt) näher ausgeführt und mit Ausnahme von Werkzeugzubehör, Werkzeugaufbewahrungssystemen und Ersatzteilen – durch eine freiwillige Garantie abgedeckt, die von der Technic Industries GmbH („TTI“) gemäß den unten aufgeführten Bedingungen ausgestellt wird („Garantie“).

Die Garantie gilt nur für Käufer, die die Produkte als Endbenutzer in ihrer Eigenschaft als Verbraucher („Verbraucher“) käuflich erwerben. Einwärtler, Vermietungsgesellschaften sowie professionelle Endbenutzer sind von diesen allgemeinen Garantiebedingungen ausdrücklich ausgeschlossen. Für professionelle Endbenutzer gilt für bestimmte Produkte U. U. eine andere Art der freiwilligen Garantie, wenn dies ausdrücklich auf der Website www.ryobitools.eu so angegeben ist. Die Inanspruchnahme dieser freiwilligen Garantie schränkt die im Falle eines Mangels geltenden allgemeinen gesetzlichen Rechte des Verbrauchers nicht ein.

1. Die Standardgarantie („Standardgarantie“) hat – sofern das Produkt nur für den privaten Gebrauch erworben wurde – eine Laufzeit von 24 Monaten („Standardgaranzietraum“) und beginnt mit dem Kaufdatum des Produkts. Dieses Datum muss durch eine Rechnung oder einen anderen Kaufbeleg dokumentiert werden, damit die Standardgarantie gültig und durchsetzbar ist. Diese Standardgarantie gilt zudem nur für neue Produkte.

2. In einigen Ländern haben Kunden bei bestimmten Produkten die Option, die Standardgarantie über den Standardgaranzietraum hinaus zu verlängern, indem sie sich auf der Website www.ryobitools.eu registrieren. Ob für ein Produkt die Option einer erweiterten Garantie („erweiterte Garantie“) besteht, ist auf der Verpackung des jeweiligen Produkts, auf der Website www.ryobitools.eu und/oder in der entsprechenden Produktdokumentation unter www.ryobitools.eu angegeben. Um von der erweiterten Garantie profitieren zu können, müssen Verbraucher ihre(r) Produkt(e) innerhalb von 30 Kalendertagen ab Kaufdatum online registrieren. Alle personenbezogenen Daten von Verbrauchern werden gemäß der Datenschutzerklärung verarbeitet. Die Sie hier finden: <https://uk.ryobitools.eu/footer-inks/privacy-policy/>. Der Bestätigungsbogen für die Registrierung, der per E-Mail versandt wird, und die Originalrechnung mit dem Kaufdatum dienen als Nachweis für die erweiterte Garantie.

3. Die Standardgarantie und die erweiterte Garantie („Garantien“) sind auf die Reparatur und/oder den Ersatz des defekten Produkts nach Ermessen von TTI beschränkt, sofern der Defekt in der Verarbeitung oder im Material bereits zum Kaufdatum vorliegt. Weitere Kosten oder Verluste können nicht geltend gemacht werden. Darüber hinaus gelten die Garantien nicht für:

- Schäden, die versehentlich, vorsätzlich oder fahrlässig durch den Verbraucher verursacht wurden
- Schäden am Produkt, die auf unsachgemäße Behandlung oder mangelnde Wartung zurückzuführen sind
- Produkte, die verändert oder modifiziert wurden
- Produkte, bei denen die Originalkennzeichnung (Marke, Seriennummer) unkenntlich gemacht, verändert oder entfernt wurde
- Schäden, die durch die Nichtbeachtung der Bedienungsanleitung entstanden sind
- Produkte, die nicht der CE/UKCA-Kennzeichnung unterliegen
- Produkte, bei denen ein Reparaturversuch durch ein nicht autorisiertes Servicecenter oder ohne vorherige Genehmigung durch TTI durchgeführt wurde
- Produkte, die an eine falsche Stromversorgung (Ampere, Spannung, Frequenz) angeschlossen wurden
- Produkte, die mit einem ungeeigneten Kraftstoffgemisch (Kraftstoff, Öl, Ölverhältnis) verwendet wurden
- Schäden, die durch äußere Einflüsse (Wasser, Chemikalien, physikalische Einflüsse, Stöße/Verwundungen) oder fremde Substanzen verursacht wurden
- normalen Verschleiß von Ersatzteilen
- unsachgemäße Verwendung, Überlastung des Produkts/der Produkte
- Verwendung von nicht zugelassenen Zubehör- oder Ersatzteilen
- Elektrowerkzeug-Zubehör, das im Lieferumfang des Werkzeugs enthalten war oder separat erworben wurde. Diese Ausschüsse gelten unter anderem für Schraubensätze, Bohrensätze, Schweißschleifen, Schleifpapier und Klingen, seitliche Führungen
- Komponenten (Teile und Zubehör), die normalerweise unterliegen wie unter anderem Wartungskits, Korbbehälter, Lager, Spannrollen, SDS-Bohrkronensätze oder -aufnahmen, Netzkabel, Zusatzgriff, Transportschutzhülse, Schlaubeite, Staubsaugrohr, Flitzschleiben, Schlüsselschlüsselschlüssel und -federn, Anschlagrollen, Antieberschieben, Kupplungen, Klingen von Heckenschere oder Rasenmäher, Gartenzug, Kabelrollen, -riemen, Federstütze, Laubbälbesägen, Laubbälber, oder Staubsaugerohre, Staubsaugbeutel und -zinken, Führungsschienen, Sägeketten, Schläuche, Anschlussstücke, Sprühdosen, Räder, Sprühstäbe, Innenspulen, Außenspulen, Mähklingen, Zündkerzen, Luftfilter, Gasfilter, Mulchmesser usw.

4. Für eine Reparatur im Rahmen der Garantie müssen die Produkte beim Auflieferen in Verarbeitungs- oder Materialfehler, bzw. sobald diese bemerkt werden, unverzüglich an einen autorisierten RYOBI-Servicepartner gesendet oder diesem vorgelegt werden. Eine Liste der RYOBI-Servicepartner finden Sie auf der folgenden Website: <https://www.ryobitools.eu/>. Verbraucher können die Services eines RYOBI-Servicepartners im Rahmen der Garantien in Anspruch nehmen, indem sie

- a. den Händler kontaktieren, bei dem der Kauf getätigt wurde; oder
 - b. sich bei der Service-Plattform auf der kommerziellen Website von RYOBI registrieren (<https://www.ryobitools.eu/>). Dieser Prozess ist nicht in jedem Land verfügbar.
- Für den Versand an einen autorisierten RYOBI-Servicepartner muss das Produkt sicher verpackt werden und darf keine gefährlichen Komponenten enthalten (Einzelheiten finden Sie in den Sicherheitsanweisungen auf der Website unter <https://www.ryobitools.eu/>). Die Sendung muss zudem mit der Absenderadresse gekennzeichnet werden und eine kurze Beschreibung des Defekts enthalten. Bitte beachten Sie, dass Versandkosten oder Porto in einigen Ländern gemäß den lokalen Regelungen vom Absender bezahlt werden müssen. Bitte wenden Sie sich an ein autorisiertes RYOBI-Servicecenter in Ihrem Land, um zu erfragen, ob solche Kosten anfallen.

5. Nach Eingang des vom Verbraucher als defekt beanstandeten Produkts, wird das Produkt untersucht. Wird der Mangel bestätigt, werden die im Rahmen der Garantie abgedeckten Leistungen erbracht, indem die defekten Teile der Produkte repariert oder nach Ermessen von TTI durch nicht defekte Teile ersetzt werden. Wenn TTI den Defekt nicht reparieren möchte oder wenn die Reparatur nach Ermessen von TTI nicht erfolgreich war, wird ein gleichwertiges Ersatzprodukt bereitgestellt. Produkte oder Teile, für die ein Ersatz bereitgestellt wurde, gehen dann wieder in das Eigentum von TTI über. Alle Reparaturen/Austauscharbeiten im Rahmen der oben genannten Garantien sind für den Verbraucher kostenlos. Mit den von TTI durchgeführten Reparaturen bzw. mit der Bereitstellung von Ersatzprodukten geht keine Verlängerung der Garantiezeit bzw. kein Neustart des Garantiezeitraums einher. Die Ersatzteile unterliegen den ursprünglich gewährten Garantien, und der Garantiezeitraum endet mit dem Ablauf des Garantiezeitraums der ursprünglich für das gesamte Produkt gewährten Garantie.

6. Die Technic Industries GmbH, Max-Eyth-Str.10, 71364 Winnenden, Deutschland, gewährt die RYOBI-Garantien ausschließlich dem Verbraucher, der das Produkt ursprünglich erworben hat. Die RYOBI-Garantien können dementsprechend nicht übertragen oder abgetreten werden.

7. Die Garantien gelten im europäischen Wirtschaftsraum (EWR), in der Schweiz und in Großbritannien. Wenden Sie sich außerhalb dieser Gebiete bitte an den Händler, bei dem das Produkt erworben wurde, um zu erfragen, ob eine anderweitige freiwillige Garantie gelten könnte.

AUTORISIERTES SERVICECENTER

Bitte wenden Sie sich bei Fragen zum oder Problemen mit dem Gerät an das örtliche autorisierte Servicecenter (siehe www.ryobitools.eu/) oder direkt an: Technic Industries GmbH, Max Eyth Straße 10, 71364 Winnenden, Germany. Bitte geben Sie die Seriennummer und den auf dem Typenschild aufgedruckten Gerätetyp an.

ES CONDICIONES DE APLICACIÓN DE LA GARANTÍA DE RYOBI

Además de los derechos legales derivados de la compra de un producto y sin perjuicio de los derechos legales que se aplican de forma independiente y gratuita, todas las herramientas eléctricas y/o herramientas de jardinería nuevas de la marca RYOBI que aparecen en nuestro sitio web, excluidos los accesorios de herramientas, los sistemas de almacenamiento de herramientas y las piezas de repuesto, como se describe más adelante (en la sección “Producto”), están cubiertas por una garantía voluntaria emitida por Technic Industries GmbH (“TTI”), sujeta a los términos y condiciones que se indican a continuación (“Garantía”).

La Garantía solo es aplicable al comprador o comprador que adquiere los productos como usuarios finales en su calidad de consumidores (“Consumidor”). Quedan expresamente excluidos de estas condiciones generales de la Garantía los minoristas, las empresas de alquiler y los usuarios finales profesionales. En el caso de los usuarios finales profesionales, puede aplicarse otro tipo de garantía voluntaria a determinados productos, si se indica explícitamente en el sitio web www.ryobitools.eu/. La invocación de esta Garantía voluntaria no limita los derechos legales del Consumidor en caso de defecto.

1. La Garantía estándar (“Garantía estándar”), siempre que el Producto se adquiere exclusivamente para uso privado, tiene una duración de 24 meses (“Período de garantía estándar”) y comienza en la fecha de compra del producto. Esta fecha debe documentarse mediante una factura u otro justificante de compra para que la Garantía estándar sea válida y aplicable. Esta Garantía estándar también se aplica únicamente a los Productos nuevos.

2. Los consumidores de determinados países pueden ampliar la Garantía estándar de los Productos elegibles más allá del período de Garantía estándar registrándose en el sitio web www.ryobitools.eu/. La elegibilidad de los Productos para la garantía ampliada (“Garantía ampliada”) se especifica en el embalaje del Producto, en el sitio web www.ryobitools.eu/, o está contenida en la documentación pertinente del Producto en <https://www.ryobitools.eu/>. Para beneficiarse de la Garantía ampliada, los Consumidores deben registrar sus Productos en línea en un plazo de 30 días naturales a partir de la fecha de compra. Toda la información personal de un Consumidor se procesará de acuerdo con la declaración de privacidad, que se puede encontrar en <https://uk.ryobitools.eu/footer-inks/privacy-policy/>. El recibo de confirmación del registro, que se envía por correo electrónico, y la factura original que muestra la fecha de compra servirán como prueba de la Garantía ampliada.

3. La Garantía estándar y la Garantía ampliada (“Garantías”) se limitan a la reparación u/o sustitución del Producto defectuoso a discreción de TTI siempre que el defecto de fabricación o material existiera en la fecha de compra. No se pueden reclamar más costes ni pérdidas. Además, las Garantías no se aplican a:

- ningún daño causado accidentalmente, voluntariamente o negligentemente por el Consumidor
- ningún daño en el Producto que sea resultado de un tratamiento inadecuado o de la falta de mantenimiento
- ningún Producto que haya sido alterado o modificado
- ningún Producto en el que se hayan deformado, modificado o eliminado las marcas de identificación original (marca comercial, número de serie)
- ningún daño causado por el incumplimiento del manual de instrucciones
- Productos que no estén sujetos a la marca CE/UKCA
- ningún Producto que se haya intentado reparar en un centro de servicio no autorizado o sin la autorización previa de TTI
- ningún Producto conectado a una fuente de alimentación inadecuada (amperios, voltaje, frecuencia)
- ningún Producto utilizado con una mezcla de combustible inadecuada (combustible, aceite, proporción de aceite)
- ningún daño causado por influencias externas (agua, productos químicos, físicos, golpes) o sustancias extrañas
- desgaste normal de las piezas de repuesto
- uso inadecuado, sobrecarga de los Productos
- uso de accesorios o piezas no aprobados
- accesorios de la herramienta eléctrica suministrados con la herramienta o adquiridos por separado. Tales exclusiones incluyen, entre otros, puntas de destornillador, brocas, discos abrasivos, papeles de lija y cuchillas, guías laterales
- componentes (piezas y accesorios) sujetos al desgaste normal, incluido, entre otros, kits de mantenimiento y servicio, accesorios de carbón, cojinetes, portabrocas, fijación o recepción de brocas SDS, cable de alimentación, mango auxiliar, material de transporte, pala de lijado, bolsa para polvo, tubo de escape de polvo, arandelas de flange, pasadores de llave de impacto y muelles, mandos de tope, correas de transmisión, embrague, cuchillas de cortasetos o cortacespedes, anillos, acelerador de carga, púas, pasadores de enganche, ventiladores del soplador, tubos del soplador y de vacío, bolsas y correas de vacío, barras guía, cadenas de sierra, mangueras, conexiones de conector, boquillas pulverizadoras, ruedas, varillas pulverizadoras, carretes interiores, carretes exteriores, líneas de corte, bujías, filtros de aire, filtros de gas, cuchillas trituradoras, etc.

4. Para el servicio de garantía, los Productos deben ser enviados o presentados sin demora indebida tras la aparición o el reconocimiento del defecto de fabricación o material a un socio de servicios de RYOBI autorizado que figure en la siguiente página web <https://www.ryobitools.eu/>. Los consumidores pueden obtener los servicios de las Garantías de un socio de servicios de RYOBI de la siguiente manera:

- a. poniéndose en contacto con el establecimiento en el que se realizó la compra; o
- b. registrándose a través de la plataforma de servicios disponible en la página web comercial de RYOBI <https://www.ryobitools.eu/>. La disponibilidad del proceso puede variar de país a otro.

Al enviar un Producto a un socio de servicios de RYOBI, el Producto deberá estar embalado de forma segura y sin contenido peligroso (para más detalles, consulte las instrucciones de seguridad en la página web <https://www.ryobitools.eu/>), marcado con la dirección del remitente y acompañado de una breve descripción del defecto. Tenga en cuenta que, en algunos países, el remitente deberá pagar los gastos de envío o el franqueo de acuerdo con las prácticas locales. Consulte a su centro de servicio local autorizado de RYOBI para confirmar si se aplican dichos cargos.

5. Se inspeccionará el Producto que el Consumidor haya declarado como defectuoso tras su recepción. Una vez confirmado el defecto, se prestarán los servicios previstos en las Garantías mediante la reparación de las piezas defectuosas de los productos o su sustitución por piezas no defectuosas a discreción de TTI. Si TTI se niega a reparar el defecto o si, a discreción de TTI, la reparación ha fracasado, se suministrará un recambio equivalente. Los Productos o las piezas sustituidas pasarán a ser propiedad de TTI. Cualquier reparación/ sustitución bajo las Garantías anteriores es gratuita. Las reparaciones/sustituciones realizadas por TTI no constituyen una ampliación ni un nuevo inicio de las Garantías. Las piezas de repuesto sustituidas están sujetas a las Garantías otorgadas originalmente y el período de las Garantías será el período de Garantía concedido originalmente a todo el producto.

6. Technic Industries GmbH, Max-Eyth-Str.10, 71364 Winnenden, Alemania, concede las Garantías de RYOBI únicamente al Consumidor que adquirió originalmente el Producto, y no puede transferirse ni asignarse.

7. Las Garantías son válidas en el Espacio Económico Europeo (EEE), Suiza y el Reino Unido. Fuera de estas áreas, póngase en contacto con el establecimiento en el que realizó su compra para averiguar si se aplica otra garantía voluntaria.

CENTRO DE SERVICIO AUTORIZADO

Cualquier solicitud o problema relacionado con el producto se puede remitir a su centro de servicio autorizado local (visite www.ryobitools.eu/) o directamente a: Technic Industries GmbH, Max Eyth Straße 10, 71364 Winnenden, Germany. Indique el número de serie y el tipo de producto que aparecen impresos en la etiqueta.

IT CONDIZIONI DI APPLICAZIONE DELLA GARANZIA RYOBI

In aggiunta ai diritti di legge risultanti dall'acquisto di un prodotto e senza pregiudicare i diritti di legge applicabili in modo indipendente e gratuito, tutti i nuovi utensili elettrici e/o attrezzi da giardinaggio RYOBI elencati sul nostro sito web, esclusi gli accessori per gli utensili, i relativi sistemi di stoccaggio e le parti di ricambio, come ulteriormente descritti ("Prodotto"), sono coperti da una garanzia volontaria emessa da Technronic Industries GmbH ("TTI"), nel rispetto dei termini e delle condizioni indicati di seguito ("Garanzia").

La Garanzia è valida solo per gli acquirenti che acquistano i prodotti come utenti finali, in veste di consumatori ("Consumatore"). I rivenditori, le società di noleggio e gli utenti finali professionali sono espressamente esclusi dai presenti termini e condizioni generali della Garanzia. Per gli utenti finali professionali, un diverso tipo di garanzia volontaria può essere applicabile a determinati prodotti, se esplicitamente indicato sul sito web www.ryobitools.eu. Il ricorso alla presente Garanzia volontaria non limita i diritti di legge del Consumatore in caso di difetti.

- La garanzia standard ("Garanzia standard"), a condizione che il Prodotto sia acquistato esclusivamente per utilizzo privato, ha una durata di 24 mesi ("Periodo di Garanzia standard") e decorre dalla data di acquisto del Prodotto. Tale data deve essere documentata da una fattura o altra prova di acquisto affinché la Garanzia standard sia valida e applicabile. La presente Garanzia standard si applica anche ai nuovi Prodotti.
- I Consumatori di alcuni paesi possono prolungare la Garanzia standard per i Prodotti idonei oltre il periodo previsto per tale garanzia, registrandosi sul sito web www.ryobitools.eu. L'idoneità dei Prodotti per la garanzia estesa ("Garanzia estesa") è specificata nella confezione di ciascun Prodotto, sul sito web www.ryobitools.eu e/o contenuta nella relativa documentazione del Prodotto all'indirizzo <https://www.ryobitools.eu>. Per usufruire della Garanzia estesa, i Consumatori sono tenuti a registrare i propri Prodotti online entro 30 giorni di calendario dalla data di acquisto, al fine di beneficiare di tale garanzia. Tutte le informazioni personali dei Consumatori saranno trattate in conformità all'informazione sulla privacy, disponibile all'indirizzo <https://uk.ryobitools.eu/footer-links/privacy-policy/>. La conferma di registrazione, inviata tramite e-mail, e la fattura originale indicante la data di acquisto costituiscono la prova della Garanzia estesa.
- La Garanzia standard e la Garanzia estesa ("Garanzie") sono limitate alla riparazione e/o sostituzione del Prodotto difettoso, a discrezione di TTI, a condizione che il difetto di fabbricazione o del materiale esistesse alla data di acquisto. Non è possibile richiedere la rifusione di ulteriori costi per inoltre. Le Garanzie non sono valide per:
 - eventuali danni causati accidentalmente, deliberatamente o negligenzemente dal Consumatore
 - eventuali danni al Prodotto risultanti da un trattamento improprio o da mancanza di manutenzione
 - Prodotti che siano stati alterati o modificati
 - Prodotti in cui la marcatura di identificazione originali (marchio di fabbrica, numero di serie) siano state cancellate, alterate o rimosse
 - eventuali danni causati dalla mancata osservanza del manuale di istruzioni
 - Prodotti privi di marcatura CE/UKCA
 - Prodotti che siano stati sottoposti a tentativi di riparazione presso un centro di assistenza non autorizzato o senza previa autorizzazione da parte di TTI
 - Prodotti collegati a una fonte di alimentazione non corretta (per ampere, tensione, frequenza)
 - Prodotti utilizzati con una miscela di carburante non adeguata (carburante, olio, percentuale di olio)
 - eventuali danni causati da influenze esterne (acqua, sostanze chimiche, sostanze fisiche, urti) o da sostanze estranee
 - normale usura delle parti di ricambio
 - uso inappropriato, sovraccarico dell'Prodotto
 - uso di accessori o parti non omologate
 - accessori per utensili elettrici forniti con lo strumento o acquistati separatamente. Tali esclusioni includono, a mero titolo esemplificativo, punte per cacciaviti, punte per trapani, dischi abrasivi, carta vetrata, lame e guide laterali
 - componenti (parti e accessori) soggetti a normale usura, inclusi, a mero titolo esemplificativo, kit di assistenza e manutenzione, sostituzioni al carbonio, cuscinetti, maniglie, attacchi per punte SDS, cavi di alimentazione, maniglie ausiliarie, capsule per il trasporto, piastre di levigatura, sacchetti per la raccolta della polvere, tubi di scarico della polvere, rondelle in ferro, penni e molle della chiave a percussione, pannelli di battuta, ingranaggi di trasmissione, ingranaggi di taglieggi o tagliaerba, intraccare, cavi di accelerazione, denti di innagranzi, penni, ventole, lami di soffiatori e aspiratori, sacchetti e cinghie per aspirapolvere, barre guida, catene per seghe, tubi flessibili, raccordi di connessione, ugelli di spruzzo, ruote, erogatori, bobine interne ed esterne, linee di taglio, candeole, filtri dell'aria, filtri dei gas, lame per mulching, ecc.

- Per gli interventi di assistenza in garanzia, i Prodotti devono essere spediti o portati, senza indebito ritardo dopo il verificarsi o il riconoscimento del difetto di lavorazione o materiale, presso uno dei centri di assistenza autorizzati RYOBI indicati sul sito web <https://www.ryobitools.eu>. I Consumatori possono ottenere i servizi dalle Garanzie presso uno dei centri di assistenza RYOBI a. contattando il rivenditore presso il quale è stato effettuato l'acquisto; oppure b. registrandosi tramite la piattaforma di servizi disponibile sulla pagina web Commerciale RYOBI <https://www.ryobitools.eu/>; la disponibilità del processo potrebbe variare da paese a paese. Il Prodotto da inviare al centro di assistenza autorizzato RYOBI deve essere imballato in modo sicuro senza contenuti pericolosi (per i dettagli, consultare le istruzioni di sicurezza sul sito web <https://www.ryobitools.eu/>), apponendo l'indirizzo del mittente, e accompagnato da una breve descrizione del difetto. In alcuni paesi, le spese di consegna e le spese postali dovranno essere pagate dal mittente secondo le prassi locali. Consultare il centro di assistenza RYOBI autorizzato di zona per verificare l'applicazione di tali spese.
- Alla ricezione del Prodotto che il Consumatore ritiene difettoso, si procederà a un'ispezione. Una volta confermato il difetto, i servizi previsti dalle Garanzie saranno forniti riparando le parti difettose del Prodotto o sostituendole con parti non difettose, a discrezione di TTI. Qualora TTI dovesse rifiutarsi di riparare il Prodotto o nel caso in cui, a discrezione di TTI, la riparazione non fosse riuscita, verrà fornito un prodotto sostitutivo equivalente. I Prodotti o le parti sostituiti diventeranno di propria iniziativa di TTI. Eventuali riparazioni/sostituzioni in virtù delle Garanzie di cui sopra sono gratuite. Le riparazioni/sostituzioni effettuate da TTI non costituiscono un prolungamento o un nuovo inizio del periodo di validità delle Garanzie. Le parti di ricambio sostituite sono soggette alle Garanzie originariamente fornite e il periodo di validità delle Garanzie terminerà con il periodo di Garanzia originariamente previsto per l'intero prodotto.
- Le Garanzie RYOBI sono concesse da Technronic Industries GmbH, Max-Eyth-Str.10, 71364 Winnenden, Germania, esclusivamente al Consumatore che ha acquistato originariamente il Prodotto e non possono essere trasferite o cedute.
- Le Garanzie sono valide nello spazio economico europeo (SEE), in Svizzera e nel Regno Unito. Al di fuori di tali aree, contattare il rivenditore presso il quale è stato effettuato l'acquisto per verificare se è valida un'altra garanzia volontaria.

CENTRO DI ASSISTENZA AUTORIZZATO

Qualsiasi richiesta o problema con il prodotto può essere indirizzato ai centri di assistenza autorizzati locali (visitare www.ryobitools.eu) o direttamente a: Technronic Industries GmbH, Max Eyth Straße 10, 71364 Winnenden, Germany. Si prega di indicare il numero di serie e il tipo di prodotto stampati sull'etichetta.

NL GARANTIEVOORWAARDEN VAN RYOBI

Naast alle wettelijke rechten die voortvloeien uit de aankoop van een product en onverminderd de wettelijke rechten die onafhankelijk en kosteloos van toepassing zijn, vallen alle nieuwe elektrische gereedschappen en/of tuingeredschappen van RYOBI die op onze website worden vermeld, met uitzondering van gereedschapsaccessoires, opslagsystemen voor gereedschap en reserveonderdelen, zoals nader beschreven onder "Product", onder een vrijwillige garantie van Technronic Industries GmbH ("TTI"), volgens de hieronder vermelde voorwaarden ("Garantie").

De garantie is alleen van toepassing op koper(s) die de producten als eindgebruikers in hun hoedanigheid van consument ("consument") kopen. Detailhandelaar, verhuurbedrijven en professionele eindgebruikers zijn uitdrukkelijk uitgesloten van deze algemene voorwaarden van de garantie. Voor professionele eindgebruikers kan een ander soort vrijwillige garantie van toepassing zijn op bepaalde producten, indien uitdrukkelijk vermeld op de website www.ryobitools.eu. De intrekking van deze vrijwillige garantie beperkt de wettelijke rechten van de consument in geval van een defect niet.

- De standaardgarantie ("standaardgarantie"), mis het product uitsluitend voor privégebruik wordt aangeschaft, heeft een looptijd van 24 maanden ("standaardgarantieperiode") en gaat in op de datum waarop het product is aangeschaft. Deze datum moet worden gedocumenteerd met een factuur of ander aankoopbewijs om ervoor te zorgen dat de standaardgarantie geldig en afdwingbaar is. Deze standaardgarantie geldt ook alleen voor nieuwe producten.
- Consumenten in bepaalde landen kunnen de standaardgarantie voor in aanmerking komende producten verlengen tot na de periode van de standaardgarantie, door zich te registreren op de website www.ryobitools.eu. Of producten in aanmerking komen voor de verlengde garantie ("verlengde garantie") wordt vermeld op de verpakking van een product, op de website www.ryobitools.eu, en/of is opgenomen in de relevante productdocumentatie onder <https://www.ryobitools.eu>. Om gebruik te maken van de verlengde garantie moeten consumenten hun product(en) online registreren binnen 30 kalenderdagen na de aankoopdatum om van deze verlengde garantie gebruik te maken. Alle persoonlijke gegevens van een consument worden verwerkt in overeenstemming met de privacyverklaring, die u hier kunt vinden: <https://uk.ryobitools.eu/footer-links/privacy-policy/>. De ontvangstbevestiging van de registratie, die per e-mail wordt verzonden, en de originele factuur waarop de aankoopdatum is vermeld, dienen als bewijs van de verlengde garantie.
- De standaardgarantie en de verlengde garantie ("garanties") zijn beperkt tot reparatie en/of vervanging van het defecte product naar goeddunken van TTI, mis het defect in fabricage of materiaal bestond op de datum van aankoop. Er kunnen geen verdere kosten of verliezen worden gecclaimd. Bovendien zijn de garanties niet van toepassing op:
 - schade die per ongeluk, opzettelijk of door nalatigheid van de klant is veroorzaakt
 - schade aan het product die het gevolg is van onjuiste behandeling of gebrek aan onderhoud
 - elk product dat is gewijzigd of aangepast
 - elk product waarvan de oorspronkelijke identificatiemarkeringen (handelsmerk, serienummer) zijn beschadigd, gewijzigd of verwijderd
 - eventuele schade veroorzaakt door het niet naleven van de instructiehandleiding
 - producten waarvan geen CE/UKCA-markering geldt
 - elk product dat is geprobeerd te repareren door een niet-geautoriseerd servicecentrum of zonder voorafgaande toestemming van TTI
 - elk product dat is aangesloten op een onjuiste voeding (stroomsterkte, spanning, frequentie)
 - elk product dat wordt gebruikt met een onjuist brandstofmengsel (brandstof, olie, olieoverhuizing)
 - schade veroorzaakt door invloeden van buitenaf (water, chemisch, fysisch, schokken) of vreemde stoffen
 - normale slijtage van reserveonderdelen
 - onjuist gebruik, overbelasting van het/de product(en)
 - gebruik van niet-goedgekeurde accessoires of onderdelen
 - accessoires voor elektrisch gereedschap die af het gereedschap worden geleverd of afzonderlijk worden aangeschaft. Dergelijke uitsluitingen omvatten maar zijn niet beperkt tot schroefbits, boorbits, schuurwielen, schuurpapier en bladen, zijleiden.
- Onderdelen (onderdelen en accessoires) die normaal slijten, met inbegrip van, maar niet beperkt tot: slijtende onderdelen; koolborstels; lagers; spanner; SDS-boorbitbevestiging of opname, netsoort, hulphandgreep, transportkoffer, schuurpapier, stofzak, stofafzuigpomp, viltlingen, pennen en veren van slagmorselstok, stookpennen, aandrijfrijmen, koppeling, bladen van heggenzwaarden of grasmaaiers, kabebuim, gashendel, tanden, viltlingen, trekpenen, blazers, blaas- en zuigpennen, opvangzak en banden, geleidestangen, zaagkettingen, slang, aansluitkousen, sproeiopkorp, wielen, sproeiervaten, binnespelen, buitenspelen, snijlijnen, blougen, luchtilfitters, gasfilters, mulchessen, enz.
- Voor reparatieservice moet het product of moeten de producten zonder onnodige vertraging na het optreden of de herkenning van het fabricage- of materiaalf defect worden verzonden naar of overhandigd aan een geautoriseerde RYOBI-servicepartner die u vindt op de volgende website: <https://www.ryobitools.eu/>. Consumenten kunnen aanspraak maken op de diensten onder de garanties van een RYOBI-servicepartner door
 - a. contact op te nemen met de verkoper waar de aankoop is gedaan; of
 - b. registratie via het serviceplatform dat beschikbaar is op de commerciële website van RYOBI: <https://www.ryobitools.eu/>. De beschikbaarheid van het proces kan per land verschillen.Wanneer een product naar een geautoriseerde servicepartner van RYOBI wordt gestuurd, moet het product veilig worden verpakt zonder gevaarlijke inhoud (zie voor meer informatie de veiligheidsinstructies op de website <https://www.ryobitools.eu/>), voorzien van het adres van de afzender en vergezeld van een korte beschrijving van het defect. Houd er rekening mee dat in sommige landen volgens de lokale procedures (verzend)kosten door de verzender moeten worden betaald. Neem contact op met uw plaatselijke, erkende RYOBI-servicecentrum om te controleren of dergelijke kosten van toepassing zijn.
- Na ontvangst van het product dat door de klant als defect wordt beschouwd, zal het worden geïnspecteerd. Wanneer het defect is bevestigd, worden de diensten onder de garanties verleend door de defecte onderdelen van het product te repareren of te vervangen door niet-defecte onderdelen naar keuze van TTI. Indien TTI weigert het defect te repareren of indien de reparatie naar goeddunken van TTI is mislukt, wordt een gelijkwaardig vervangingsproduct geleverd. De vervangen producten of onderdelen worden eigendom van TTI. Alle reparaties/vervangingen onder de bovenstaande garanties zijn gratis. De door TTI uitgevoerde reparaties/vervangingen vormen geen verlenging of nieuwe start van de garanties. De vervangen reserveonderdelen zijn onderworpen aan de oorspronkelijk gegeven garanties en de garantieperiode loopt af met de garantieperiode die oorspronkelijk voor het gehele product was vastgesteld.
- De garanties van RYOBI worden door Technronic Industries GmbH, Max-Eyth-Str.10, 71364 Winnenden, Duitsland, uitsluitend verleend aan de consument die het product oorspronkelijk heeft gekocht en mogen niet worden overgedragen of toegevoegd.
- De garanties gelden in de Europese Economische Ruimte (EER), Zwitserland en het Verenigd Koninkrijk. Buiten deze gebieden kunt u contact opnemen met de verkoper waar de aankoop is gedaan om te weten te komen of er een andere vrijwillige garantie van toepassing is.

GEAUTORISEERD SERVICECENTRUM

Elk verzoek of probleem met het product kan worden gericht aan uw lokale geautoriseerde servicepartner (bezoek www.ryobitools.eu) of rechtstreeks aan: Technronic Industries GmbH, Max Eyth Straße 10, 71364 Winnenden, Germany. Vermeld het serienummer en het type product dat op het etiket staat.

PT CONDIÇÕES DE APLICAÇÃO DA GARANTIA RYOBI

Para além de quaisquer direitos legais decorrentes da aquisição de um produto e sem prejuízo dos direitos estatutários aplicáveis de forma independente e gratuita, todas as nossas ferramentas elétricas e/ou ferramentas de jardim com a marca RYOBI indicadas no nosso website, excluindo acessórios de ferramentas, sistemas de armazenamento de ferramentas, e peças sobresselentes, conforme descrito em ("Produto"), estão cobertas por uma garantia voluntária emitida pela Technrich Industries GmbH ("TTI"), sujeita aos termos e condições indicados abaixo ("Garantia").

A Garantia apenas é aplicável a(o) comprador(es) que adquira(m) os produtos como utilizador(es) final(is) na sua qualidade de consumidor(ões) ("Consumidor"). Os revendedores, as empresas de aluguer e os utilizadores finais profissionais estão expressamente excluídos dos presentes termos e condições gerais da Garantia. Para os utilizadores finais profissionais, pode ser aplicável um tipo diferente de garantia voluntária para determinado(s) produto(s), se explicitamente previsto no website www.ryobitools.eu. A invocação da presente Garantia voluntária não limita os direitos legais estatutários do Consumidor em caso de defeito.

- A Garantia padrão ("Garantia padrão"), desde que o Produto seja adquirido apenas para uso privado, tem um prazo de 24 meses ("Período de garantia padrão") e tem início na data em que o produto foi adquirido. Esta data tem de ser documentada por uma fatura ou outra prova de compra para que a Garantia padrão seja válida e aplicável. A presente Garantia padrão também se aplica a Produto(s) novo(s).
- Os Consumidores de determinados países poderão ter a possibilidade de prolongar a Garantia padrão para produtos elegíveis para além do período da Garantia padrão, através do registo no website www.ryobitools.eu. A elegibilidade dos produtos para a extensão da garantia ("Extensão da garantia") está especificada na embalagem de um Produto, no website www.ryobitools.eu ou está incluída na documentação relevante do Produto em <https://www.ryobitools.eu>. Para beneficiar da Extensão da Garantia, os Consumidores têm de registar o(s) seu(s) Produto(s) online no prazo de 30 dias consecutivos a contar da data de compra para beneficiarem desta Extensão da garantia. Todas as informações pessoais de um Consumidor serão processadas de acordo com a declaração de privacidade, que pode ser encontrada aqui <https://uk.ryobitools.eu/footer/links/privacy-policy/>. O recibo de confirmação do registo, que é enviado por e-mail, e a fatura original com a data de compra servem de prova da extensão da garantia.
- A Garantia padrão e a Extensão da Garantia ("Garantias") estão limitadas à reparação e/ou substituição do Produto com defeito ao critério da TTI, desde que o defeito de fabrico ou de material existisse à data da compra. Não podem ser reclamados custos ou perdas adicionais. Além disso, as Garantias não se aplicam a:
 - quaisquer danos causados acidentalmente, deliberadamente ou negligentemente pelo Consumidor
 - quaisquer danos no Produto resultantes de tratamento inadequado ou falta de manutenção
 - qualquer Produto que tenha sido alterado ou modificado
 - qualquer Produto em que as marcas originais de identificação (marca comercial, número de série) tenham sido desmarcadas, alteradas ou removidas
 - quaisquer danos causados pela não observância do manual de instruções
 - Produtos que não estão sujeitos a uma marcação CE/UKCA
 - qualquer Produto que tenha sido tentado reparar por um centro de assistência não autorizado ou sem autorização prévia da TTI
 - qualquer Produto ligado a uma fonte de alimentação inadequada (ampères, tensão, frequência)
 - qualquer Produto utilizado com mistura de combustível inadequada (combustível, óleo, relação de óleo)
 - quaisquer danos causados por influências externas (água, produtos químicos, fiação, choques) ou substâncias estranhas
 - degaste normal das peças sobresselentes
 - utilização inadequada, sobrecarga do(s) Produto(s)
 - utilização de acessórios ou peças não aprovados
 - acessórios para ferramentas elétricas fornecidos com a ferramenta ou adquiridos em separado. Estas exclusões incluem, entre outras, brocas, coroa, discos abrasivos, lixa e lâminas, guia lateral
 - componentes (peças e acessórios) sujeitos a desgaste normal, incluindo, entre outros, kits de assistência e manutenção, escovas de carbono, rolamentos, mandrils, fixação ou reação de brocas SDS, cabos de alimentação, punhos auxiliares, malhas de proteção, placas de lixa, sacos para poeiras, tubos de escape de poeiras, anilhas de filtro, pinos e molas de impacto, botões de impacto, comets de transmissão, embraígens, lâminas de corta-herba ou corta-relvas, corria, cabo do acelerador, dentes, pinos de engate, ventiladores do soprador, tubos de vácuo e soprador, sacos e corriaes de vácuo, lâminas de guia, corriaes de serra, mangueiras, conteres, bocas de pulverização, rodas, hastas de pulverização, bobinas interiores, bobinas exteriores, linhas de corte, velas de ignição, filtros de ar, filtros de gás, lâminas de filtratura, etc.
- Para efeitos de assistência de garantia, o(s) Produto(s) deve(m) ser enviado(s) ao apresentador(o) sem demora injustificada após a ocorrência ou reconhecimento do defeito de fabrico ou de material a um parceiro de assistência autorizado RYOBI listado no seguinte website <https://www.ryobitools.eu>. Os Consumidores podem obter os serviços cobertos pelas Garantias de um parceiro de serviços da RYOBI
 - a contactando o revendedor onde o produto foi adquirido; ou
 - registando-se através da plataforma de serviços disponível na página web comercial da RYOBI <https://www.ryobitools.eu>; e a disponibilidade do processo pode variar de país para país. Ao enviar um Produto para um parceiro de assistência autorizado RYOBI, o Produto deve ser embalado em segurança sem contê-lo por quaisquer danos (para obter mais informações, consulte as instruções de segurança no website em <https://www.ryobitools.eu>), marcado com a morada do remetente e acompanhado por uma breve descrição do defeito. Tenha em atenção que, em alguns países, as despesas de entrega ou franquia terão de ser pagas pelo remetente de acordo com a prática local. Consulte o centro de assistência técnica local autorizado RYOBI para confirmar se são aplicáveis essas taxas.

- Após a receção do Produto reclamado como defeituoso pelo Consumidor, este será inspecionado. Quando o defeito for confirmado, os serviços cobertos das Garantias serão prestados através da reparação das peças defeituosas dos produtos ou da sua substituição por peças não defeituosas, segundo o critério da TTI. Se a TTI se recusar a reparar o defeito ou se, ao critério da TTI, a reparação falhar, será fornecida uma substituição equivalente ao cliente. O(s) Produto(s) ou peça(s) substituído(s) tomar-se-á(ão) propriedade da TTI. Qualquer reparação/substituição coberta pelas Garantias acima indicadas é gratuita. A(s) reparação(ões)/substituição(ões) realizada(s) pela TTI não constitui(em) uma extensão ou um novo início das Garantias. As peças sobresselentes substituídas estão sujeitas às Garantias originalmente concedidas e o período para as Garantias terminará com o período para a Garantia inicialmente concedido para todo o produto.

- As Garantias da RYOBI são concedidas pela Technrich Industries GmbH, Max-Eyth-Str. 10, 71364 Winnenden, Alemanha, apenas ao Consumidor que adquiriu originalmente o Produto e não podem ser transferidas nem atribuídas.

- As Garantias são válidas no Espaço Económico Europeu (EEE), na Suíça e no Reino Unido. Para estas áreas, contacte o revendedor onde o produto foi adquirido para saber se se aplica outra garantia voluntária.

CENTRO DE ASSISTÊNCIA TÉCNICA AUTORIZADO

Qualquer pedido ou problema relacionado com o produto pode ser encaminhado para os seus centros de reparação autorizados locais (visite www.ryobitools.eu) ou diretamente para: Technrich Industries GmbH, Max Eyth Straße 10, 71364 Winnenden, Germany. Indique o número de série e o tipo de produto impressos na etiqueta.

DA BETINGELSER FOR ANVENDELSE AF RYOBI-GARANTI

Ud over de lovbestemte rettigheder, der følger købet af et produkt, og uden at det berører de lovbestemte rettigheder, der gælder uafhængigt og uden omkostninger, er alle nye RYOBI-mærkede elværktøjer eller elværktøjskæber, der er anført på vores hjemmeside, med undtagelse af værktøjskøbsprogramsystemer, og reservedele, som nærmere beskrevet under ("Produkt") dækket af en frivillig garanti udstedt af Technrich Industries GmbH ("TTI") i henhold til de vilkår og betingelser, der er angivet nedenfor ("Garanti").

Garantien gælder kun for en køber/kæber, der køber produkterne som slutbrugere i deres egenkab af forbrugere ("Forbrugere"). Forhandlere, udlæringsfirmaer og professionelle slutbrugere er udelukket udelukkende fra disse generelle vilkår og betingelser i garantien. For professionelle slutbrugere kan en anden form for frivillig garanti gælde for visse produkter, hvis det udelukkelt fremgår af hjemmesiden www.ryobitools.eu. Påberøelse af denne frivillige garanti begrænser ikke forbrugernes lovæssige rettigheder i tilfælde af en defekt.

- Standardgarantien ("Standardgaranti"), forudsat at produktet kun er købt til privat brug, har en løbetid på 24 måneder ("Standardgarantiperiode") og begynder på den dato, hvor produktet blev købt. Denne dato skal dokumenteres ved en faktura eller andet købsbevis, for at standardgarantien er gyldig og kan håndhæves. Denne standardgaranti gælder også for et nyt/ny produkt(er).
- Forbrugere i visse lande kan muligvis forlange standardgarantier for berettigede produkter ud over standardgarantiperioden ved at registrere sig på hjemmesiden www.ryobitools.eu. Produkternes berettigelse til den udvidede garanti ("Udvidet garanti") er angivet på emballagen til et produkt, på hjemmesiden www.ryobitools.eu, og/eller er indeholdt i den relevante produktokumentation under <https://www.ryobitools.eu>. For at drage fordel af den udvidede garanti skal forbrugere registrere deres produkt(er) online inden for 30 kalenderdage fra købsdatoen for at drage fordel af denne udvidede garanti. Alle personlige oplysninger om en forbruger behandles i overensstemmelse med erklæringen om beskyttelse af personlige oplysninger, som findes her <https://uk.ryobitools.eu/footer/links/privacy-policy/>. Kvaliteten for registreringsbekræftelsen, som sendes ud via e-mail, og den originale faktura, der angiver købsdatoen, vil tjene som bevis for den udvidede garanti.
- Standardgarantien og den udvidede garanti ("Garantier") er begrænset til reparation og/eller udskiftning af det defekte produkt eller TTI's sk, forudsat at defekten i udførelse eller materiale eksisterede på købsdatoen. Der kan ikke gøres krav på yderligere omkostninger eller tab. Desuden gælder garantierne ikke for:
 - Enhver skade forårsaget ved et uheld, forsættelig eller uagtsom af forbrugeren
 - Eventuelle skader på produktet, der skyldes forkert behandling eller manglende vedligeholdelse
 - Ethvert produkt, der er blevet ændret eller modificeret
 - Ethvert produkt, hvor den oprindelige identifikationsmærkning (varemærke, serienummer) er blevet deforimeret, ændret eller fjernet
 - Eventuelle skader, der skyldes manglende overholdelse af brugsanvisningen
 - Produkter, som ikke er CE/UKCA-mærket
 - Ethvert produkt, der er forsøgt repareret af et ikke-autoriseret servicecenter eller uden forudgående tilladelse fra TTI
 - Ethvert produkt, der har været tilsluttet forkert strømforsyning (strømstyrke, spænding, frekvens)
 - Ethvert produkt, der har været anvendt med en forkert brændstoftilførsel (brændstof, olie, olieblanding)
 - Skader forårsaget af ydre påvirkninger (vand, kemiske stoffer, fysiske stød) eller fremmedlegeme
 - Normal slitage af reservedele
 - Uhensigtsmæssig anvendelse, overbelastning af produktet/produktterne
 - Anvendelse af ikke-godkendt tilbehør eller dele
 - Tilbehør til elværktøjet, der leveres sammen med værktøjet eller købt separat. Sådanne undtagelser omfatter, men er ikke begrænset til, skruetrækkere, bor, silbesciver, sandpapir og blade, sideslyr
 - Komponenter (dele og tilbehør), der er udsat for normal slitage, herunder, men ikke begrænset til service- og vedligeholdelsesstat, kulborster, lejer, boreprator, SDS-borlilbehør eller -fæstelsesanordning, nelledning, ekstra håndtag, transportkasse, silbescive, støvslange, støvslange, filtskiver, slagneglestifter og -fjeder, knopper, ventilmetre, kobling, knive til hakværktøjer eller plæneløpere, seks, gaslændtag, tænder, tilkoblingsplifter, drivmekanik, blæserer og vækkuemotor, vakuumpose og stropper, styrestænger, savkæder, slanger, slutligningsfittings sprøjteværk, hjul, sprostænger, indvendige ruller, udevendige spoler, skæreligninger, trændr, luftfilter, gasfilter, blikpløjningsblæde, osv.
- For garantisejlske skal produktet/produktene uden unødigt forsinkelse eller forekomst eller erkendelse af defekten i udførelse eller materiale sendes til eller fremsendes for at få autoriserede RYOBI-servicepartnere, der er anført på følgende websted <https://www.ryobitools.eu>. Kunderne kan få leveret ydelserne under garantierne hos en RYOBI-servicepartner ved at
 - a. kontakte den forhandler, hvor købet blev foretaget, eller
 - b. registrere sig via den serviceplatform, der er tilgængelig på RYOBI's kommercielle hjemmeside <https://www.ryobitools.eu>. Tilgængeligheden af processen varierer fra land til land.Når et produkt sendes til en autoriseret RYOBI-servicepartner, skal produktet indpakkes sikkert uden farligt indhold (for nærmere oplysninger henvises til sikkerhedsinstruktionerne på hjemmesiden - <https://www.ryobitools.eu>), mærkes med afsendens adresse og ledsages af en kort beskrivelse af defekten. Bemærk venligst, at nogle lands skal leveringsomkostninger eller porto betales af afsenderen i henhold til lokal praksis. Kontakt dit lokale autoriserede RYOBI-servicecenter for at få oplyst, om sådanne gebyrer er gældende.
- Ved modtagelse af produktet, der hævdets at være defekt af forbrugeren, vil det blive inspiceret. Når fejlen er blevet bekræftet, vil garantisejlskerne blive leveret gennem reparation af produktets defekte dele eller gennem udskiftning af dem med ikke-defekte dele efter TTI's sk. TTI's TTI ansvar at reparere defekte dele eller hvis reparationen efter TTI's sk er mislykket, leveres en tilsvarende erstatning. Defekte udsiftede produkt(er) eller dele forbliver TTI's ejendom. Alle reparationer/udskiftninger i henhold til ovenstående garantier er gratis. Den eller de reparation(er)/udskiftning(er), som TTI foretager, udgør ikke en forlængelse eller en ny slut på garantierne. De udsiftede reservedele er underlagt de oprindelige afgifter, garantier og garantiperioden slutter med den periode for garantien, der oprindeligt blev givet for hele produktet.
- RYOBI-garantierne ydes af Technrich Industries GmbH, Max-Eyth-Str. 10, 71364 Winnenden, Tyskland, kun til den forbruger, der oprindeligt købte produktet, og kan ikke overdrages eller tildes.
- Garantierne gælder i det europæiske økonomiske område (EØS) og Storbritannien. Uden for disse områder skal du kontakte den forhandler, hvor købet blev foretaget, for at finde ud af, om der gælder en anden frivillig garanti.

AUTORISERET SERVICECENTER

Enhver anmodning eller problem angående produktet kan adresseres til dine lokale autoriserede servicecentre (gå ind på www.ryobitools.eu) eller direkte til: Technrich Industries GmbH, Max Eyth Straße 10, 71364 Winnenden, Germany. Angiv serienummer og produkttype, der er trykt på etiketten.

SV VILLKOR FÖR TILLÄMPNING AV GARANTI FRÅN RYOBI

Utöver alla lagstadgade rättigheter som följer av köpet av en produkt och utan att det påverkar de lagstadgade rättigheter som gäller oberoende och kostnadsfritt, omfattas alla våra elverktyg och trädgårdsverktyg av märket RYOBI som anges på webplatsen, exklusivt verktygsförläggning, förvaringssystem för verktyg och reservdelar, som beskrivs ytterligare under "Produkt", av en frivillig garanti som utfärdas av Techntron Industries GmbH ("TTI") enligt de villkor som anges nedan ("garanti").

Garanti gäller endast för köpare som köper produkterna som slutanvändare i egenskap av konsument ("konsument"). Återförsäljare, uthyringsföretag och yrkesmässiga slutanvändare är uthyrigkunden undantagna från dessa allmänna villkor och bestämmelser i garantin. För yrkesmässiga slutanvändare kan en annan typ av frivillig garanti gälla för vissa produkter, om detta uttryckligen anges på webbplatsen www.ryobitools.eu. Åberopandet av den här frivilliga garantin begränsar inte konsumentens lagstadgade rättigheter i händelse av en defekt.

1. Standardgarantin ("standardgaranti"), förutsatt att produkten endast köps för privat bruk, gäller i 24 månader ("perioden för standardgaranti") och börjar gälla det datum då produkten köptes. Detta datum måste dokumenteras med en faktura eller annat inköpsbevis för att standardgarantin ska vara giltig och verkställbar. Den här standardgarantin gäller endast för nya produkter.

2. Konsumenter i vissa länder kan utöka standardgarantin för berättigade produkter utöver perioden för standardgarantin genom att registrera sig på webbplatsen www.ryobitools.eu. Huruvida produkter omfattas av den utökade garantin ("utökad garanti") anges på produktens förpackning, på webbplatsen www.ryobitools.eu eller i den relevanta produktokumentationen på <https://www.ryobitools.eu>. Konsumenter måste registrera sina produkter online inom 30 kalenderdagar från inköpsdatumet för att kunna dra nytta av den här utökade garantin. All personlig information om en konsument behandlas i enlighet med sekretesspolicy som finns här <https://uk.ryobitools.eu/footer-links/privacy-policy/>. Kvittot på registreringsbekräftelsen, som skickas ut via e-post, och originalfakturan som visar inköpsdatum, fungerar som bevis på den utökade garantin.

3. Standardgarantin och den utökade garantin ("garantierna") är begränsade till reparation eller utbyte av den defekta produkten enligt TTIs gottfinnande, förutsatt att defekten i utförande eller material finns vid inköpsdatumet. Inga ytterligare kostnader eller förluster kan åberopas. Dessutom gäller inte garantierna för

- skador som orsakas av misstag, avsiktligt eller vårdslöshet av konsumenten
- skador på produkten som beror på felaktig behandling eller bristande underhåll
- en produkt som har ändrats eller modifierats
- en produkt där ursprungliga märkningar (varumärke eller serienummer) har försvanskats, ändrats eller tagits bort
- skador som orsakas av att handboken inte har följts
- produkter som inte omfattas av en CE/UKCA-märkning
- en produkt som har försökts repareras av ett icke- auktoriserat servicecenter eller utan föregående godkännande av TTI
- en produkt som ansluts till felaktig strömförsörjning (ampere, spänning eller frekvens)
- en produkt som använts med felaktigt bränsleblandning (bränsle, olja eller oljeförhållande)
- skador som orsakas av yttre påverkan (vatten, kemikalier, fysiska stötar eller elstöt) eller främmande ämnen
- normal slitage på reservdelar
- felaktig användning eller överbelastning av produkten
- användning av icke-godkända tillbehör eller delar
- tillbehör till elverktyg som medföljer verktyget eller köps separat, sådana undantag inkluderar, men är inte begränsade till, skruvbit, borrar, slipborr, slippaper och -blad och sidostyrning
- komponenter (delar och tillbehör) som utsatts för normalt slitage, inklusive men inte begränsat till service- och underhållsdelar, kolborstar, lager, chock, monterier eller fäthåll för SDS-borrar, strömbakel, extra handtag, transportväska, sliplatta, dammsäe, dammsugningsrör, filterbrick, slitit och fjäder till mutterdrager, anslagsknoppar, drivremmar, koppling, blad till häcksaxar eller gräsklippare, sele, gasvarje, pinnar, filterbrick, kopplingspringar, blåsfäktar, blås- och sugrör, uppamslingsmaskin och remmar, svärd, säggar, slangar, anslutningsstrukturer, sprutmunstycken, hjul, sprutnål, inre rullar, yttre spolar, skärinor, tandstift, luftfilter, gasfilter, stningsknivar osv.

4. För garantiservice måste produkten skickas till ett uppvisas för, utan dröjsmål efter att defekten i utförande eller material har upptäckts, en auktoriserad RYOBI-servicepartner som anges på följande webbplats <https://www.ryobitools.eu>. Konsumenter kan erbjuda tjänsterna enligt garantierna från en RYOBI-servicepartner genom att

- a. kontakta återförsäljaren där köpet gjordes eller
- b. registrera sig via serviceplattformen som är tillgänglig på RYOBI Commercial-webbplatsen <https://www.ryobitools.eu>, tillgången till förfarandet kan variera från land till land.

När du skickar en produkt till en auktoriserad RYOBI-servicepartner ska produkten vara säkert förpackad utan förligt innehåll (mer information finns i säkerhetsanvisningarna på <https://www.ryobitools.eu>), märkt med avsändarens adress och medföljas av en kort beskrivning av defekten. Observera att i vissa länder måste faktakostnader eller porto betalas av avsändaren i enlighet med lokal praxis. Kontakta ditt lokala auktoriserade RYOBI-servicecenter för att bekäfta om sådana avgifter gäller.

5. Efter mottagandet av den produkt som konsumenten hävdar är defekt kommer den att inspekteras. När defekten har bekräftats tillhandatags tjänsterna enligt garantierna genom reparation av defekta delar i produkterna eller genom utbyte av dem mot icke-defekta delar enligt TTIs gottfinnande. Om TTI vägrar att reparera defekten eller om reparationen, enligt TTIs gottfinnande, misslyckas tillhandatags en motsvarande ersättningsprodukt. De utbytta produkterna eller delarna blir TTIs egendom. Alla reparationer eller utbyten som omfattas av ovanstående garantier är kostnadsfria. Reparationer eller utbyten som utförs av TTI utgör inte en förlängning eller en ny start av garantierna. De utbytta reservdelarna omfattas av de garantier som ursprungligen gavs och perioden för garantierna avslutas med perioden som ursprungligen gavs för hela produkten.

6. RYOBI-garantierna beviljas av Techntron Industries GmbH, Max-Eyth-Str.10, 71364 Winnenden, Tyskland, endast till den konsument som ursprungligen köpt produkten och får inte överföras eller övertaras.

7. Garantierna gäller inom Europeiska ekonomiska samarbetsområdet (EES), Schweiz och Storbritannien. Utanför dessa områdena kontaktar du återförsäljaren där köpet gjordes för att ta reda på om någon annan frivillig garanti gäller.

AUKTORISERAT SERVICECENTER

Varje begäran eller problem avseende produkten kan adresseras till ditt lokala auktoriserade servicecenter (besök www.ryobitools.eu) eller direkt till: Techntron Industries GmbH, Max Eyth Straße 10, 71364 Winnenden, Germany. Ange serienumret och produkttyp som anges på etiketten.

FI RYOBI-TAKUUN EHDOT

Kaikkien tuotteen ostamisesta koltoivien erillisten ja maksuttomien lakisäästeiden oikeuksien lisäksi ja niihin rajoittumatta kaikki verkkoisotustomme luettelut uudet RYOBI-merkiset sähkötyökalut ja/tai puutarhatyökalut, jäljempänä ("Tuote"), luokun ottaen työkalujen lisävarusteita, työkalujen säilytysjärjestelmiä ja varosia, ovat Techntron Industries GmbH:n (TTI) antaman vapaaehtoisien takuun piirissä alla ilmoitettyjen ehtojen mukaisesti ("Takuu").

Takuu koskee ainoastaan niitä ostajia, jotka ostavat tuotteita kuluttajien asemassa olevina loppukäyttäjinä ("Kuluttaja"). Jällemyyjä, vuokrausyritys ja ammattimaiset loppukäyttäjät on nimenomaisesti jätetty takuun soveltamislauseen ulkopuolelle. Ammattimaisia loppukäyttäjää saatua koskeva toisenpyynnön vapaaehtoinen takuu tulleille tuotteille, jos sitä on nimenomaisesti ilmoitettu osoitteessa www.ryobitools.eu. Tämän vapaaehtoisuuden takuun vetoaminen ei rajoita kuluttajien lakisäästeitä oikeuksia viikotapauksissa.

1. Perustakuu ("Perustakuu") edellyttää, että tuote ostetaan ainoastaan yksityiskäyttöön, ja katta 24 kuukauden jaksen ("Perustakuu voimaosaloika") alkyaan tuote ostopäivästä. Perustakuun voimaosalo ja täytäntöönpanokelpoisuus edellyttää, että kyselyn päivämäärä ja nimi laskusta tai muista ostodokumentista. Lisäksi tämä perustakuu koskee ainoastaan uusia tuotteita.

2. Tietyissä maissa olevilla kuluttajilla ei ole mahdollisuus laajentaa perustakuuseen oikeutettujen tuotteiden takuaa kuin rekisteröitymiä osoitteessa www.ryobitools.eu. Tuotteiden oikeus laajennettuun takuuseen ("Laajennettu takuu") on määritelty tuotteen pakkauskeu, varosissa osoitteessa <https://www.ryobitools.eu/ja/> tai ohjeissa tuotteesta asiakirjoissa osoitteessa <https://www.ryobitools.eu>. Kuluttajien on rekisteröitävä tuotensa verkossa 30 kalenteripäivän kuluessa ostopäivästä, jotta he voivat hyödyntää laajennettua takuaan. Kaikkia kuluttajien henkilöitä ei käsitellään suoraan osoitteessa sijaitsevan tietosuojalautakunnan mukaisesti: <https://uk.ryobitools.eu/footer-links/privacy-policy/>. Sähköpostitse lähetettävä vahvistus rekisteröinnistä ja käuperäntien lasku, jossa ostopäivä on näkyvässä, toimivat todisteina laajennetusta takuusta.

3. Perustakuu ja laajennettu takuu ("Takuu") rajoittavat virallisen tuotteen korjaamisen jättä valitsemisen TTI:n päätöksellä ja edellyttävät, että valmistus- tai materiaaliainan on ollut tuotteen osittena. Muia kustannuksia tai menetyksiä koskevia vaatimuksia ei voi esittää. Myöskin seuraavat eivät kuulu takuiden piiriin:

- Kuluttajan vahingossa tai tahallisesti aiheuttamat tai kuluttajan huolimattomuudesta aiheutuvat vahingot
- Kaikki tuotteen virheellisesti käsitellyistä tai huollon puutteesta aiheutuvat vahingot
- Kaikki tuotteet, joita on muunneltu tai muutettu
- Kaikki tuotteet, joiden alkuperäiset tunnusmerkit (tavaramerkki, sarjanumero) on peitetty tai poistettu tai niitä on muunneltu
- Kaikki käyttöoppaan noudattamatta jättämisestä aiheutuneet vauriot
- Tuotteet, joissa ei ole CE-/UKCA-merkintää
- Kaikki tuotteet, joita on yritetty korjata/vaihtaa valtuuttamattomalla taholla tai ilman TTI:n etukäteisen antamaa lupaa
- Kaikki tuotteet, jotka on kytketty vääränlaiseseen virtalähteeseen (virta, jännite, taajuu)
- Kaikki tuotteet, joissa on käytetty vääränlaisia polttoaineseosia (polttoaine, öljy, öljyn seossuhde)
- Kaikki ukoisten tekijöiden (vesi, kemikaalit, fyysiset tekijät, isku) tai vierasaineiden aiheuttamat vauriot
- Varosien normaali kuluminen
- Virheellinen käyttö, tuotteiden ylikuormitus
- Muiden kuin hyväksytytjen lisävarusteiden tai osien käyttö
- Sähkötyökalun mukana toimitettui tai erikseen ostetut lisävarusteet. Tällaisia poikkeuksia ovat muun muassa ruuvausajat, poranterät, hiomalaikat, hiomappaperit ja terät sekä sivohaajat
- Komponentit (osat ja lisävarusteet), jotka kuluvat normaalisissa käytössä, mukaan lukien mutta niihin rajoittumatta huolto- ja kunnossapitosarjat, hiiliharjat, laekent, istukka, SDS-poranterien kinnitysosea tai vastake, virtajohto, isävaruste, kuljetuslaukku, hiomavely, pölypoistopöytä, huopatiivisteet, iskevien ruuviväntienmien tapit ja juuset, syöttöruiput, vetohihnat, kytin, penhallisekureiden tai ruuholeikkimien terät, valjat, kaasuväyryt, piikit, sokkatapit, puhallimet, puhallus- ja imuputket, keräyspussit ja hinnat, terälevyt, araketit, leikut, liittimet, suhkuttussuuttimet, pyörät, suhkuttusvarret, sisäkalot, ukoikat, leikkurit, seulausmittat, syytyysputat, liemussuodattimet, polttoaineseuodattimet, silppuamsterat, jne.

4. Takuuhuoltoa varten tuotteet on valmistus- tai materiaalivirheen ilmeneminen tai huomaamisen jälkeen viipymättä lähetettävä tai tuotava paikalle johonkin seuraavalla verkkoisotulla luettelujen valitettujen RYOBI-huoltokomppaneiden toimipisteeseen: <https://www.ryobitools.eu>. Kuluttajat voivat saada takuun alaisia palveluita RYOBI-huoltokomppanille seuraavilla tavoilla:

- a. Ottamalla yhteyttä jällemyyjään, jolla tuote on ostettu
- b. Rekisteröitymiä osoitteessa <https://www.ryobitools.eu> olevaan huoltopalveluun. Menettelyt saatavissa saatava vaihtelua määrittä.

Kun tuote lähetetään valtuutetuille RYOBI-huoltokomppanille, se on pakattava virallisesti ilman vaarallista sisältöä (katso lisätietoja verkkoisotustilissa <https://www.ryobitools.eu> olevista turvallisuusohjeista) ja siihen on merkittävä lähetäjän osoite ja lyhyt kuvaus vialla. Ota huomioon, että joissakin maissa lähetäjän on paikallisen käytännön mukaisesti maksettava kuljetuskuluksi tai postimaksu. Kysy paikallisesta valtuutetusta RYOBI-huoltoliikkeestä, perittäköön tällaisia maksuja.

5. Kuluttajan virallisesti ilmoittama tuote tarkastetaan sen saavuttua toimipisteeseen. Kun kiva on varmistettu, takuiden alaiset palvelut toteutetaan TTI:n tarkinnan mukaan joko korjaamalla tuotteiden viralliset osat tai vaihtamalla ne ohjeiden, jos TTI ei hyväksy vain korjaamista tai jos TTI sallii, eikä korjaus on epäonnistunut, kuluttajalle on tehtävä korvaus tuote. Korvattavat tuotteet tai osat siirryt TTI:n omistukseen. Kaikki edellä mainitut takuiden alaiset korjaukset/vaihdot ovat maksuttomia. TTI:n toimenpiteen korjaukset/vaihdot eivät pidennä takuiden voimaosaloa eikä tilaa sitä alusta. Valhdet varoast ovat alkuperäisten takuiden alaisia, ja niiden takuiden voimaosaloaika päättyy silloin, kun koko tuotteelle myönnetty alkuperäisten takuun voimaosaloaika päättyy.

6. RYOBI-takuu myöntää Techntron Industries GmbH, Max-Eyth-Str.10, 71364 Winnenden, Saksaa, ainoastaan tuotteen alun perin ostaneelle kuluttajalle. Takuita ei voi siirtää tai määrätä toiselle taholle.

7. Takuit ovat voimassa Euroopan talousalueella (ETA), Sveitsissä ja Yhdystyneessä kuningaskunnassa. Näiden alueiden ulkopuolella voit ottaa yhteyttä julkaisemallemme, jolla tuote on ostettu, ja selvittää, koto osallista voimassa jokin toinen vapaaehtoinen takuu.

VALTUUTETTU HUOLTOLIKE

Kaikki tuotteesien liittyvät pyynnöt tai kysymykset voidaan osoittaa paikallisille valtuutetuille huoltoliikkeille (katso www.ryobitools.eu) tai suoraan osoitteeseen: Techntron Industries GmbH, Max Eyth Straße 10, 71364 Winnenden, Germany. Ilmoita tarhaan painettu sarjanumero ja tuotetyyppi.

NO GARANTIBETINGELSER FOR RYOBI

I tillegg til eventuelle lovebestemte rettigheter som følge av kjøpet av dette produktet og uten tap av de lovebestemte rettighetene som gjelder uavhengig og uten kostnad, dekkes alle nye RYOBI-elektroværktøy og/eller -hageværktøy som er oppgitt på nettsiden vår, med unntak av verktyvlåner, oppbevaringsystemer for verktyv og reservedeler, som angitt under («Produkt»), av en frivillig garanti utstedt av Technonic Industries GmbH («TTI») som er underlagt vikarene og betingelsene angitt nedenfor («Garanti»).

Garantien gjelder kun for kjøpere som kjøper produktet som sluttbrukere, og som kan regnes som forbrukere («Forbruker»). Detaljhandlerne, utleielieferant og profesjonelle sluttbrukere er uttrykkelig unntatt fra disse generelle vikarene og betingelsene for garantien. For profesjonelle sluttbrukere kan en annen type frivillig garanti omfatte visse produkter dersom det er tydelig angitt på nettsiden www.ryobitools.eu. Påberøpelsen av denne frivillige garantiens begrensninger ikke de lovebestemte rettighetene til forbrukeren hvis det er en feil med produktet.

1. Standardgarantien («Standardgaranti»), såfremt produktet kun er kjøpt for privat bruk, har en gyldighetsperiode på 24 måneder («Periode for standardgaranti») og starter den datoen produktet kjøpes. Denne datoen må dokumenteres med faktura eller annet kjøpsbevis for at standardgarantien skal være gyldig og vangskraftig. Denne standardgarantien gjelder kun for visse produkter.

2. Det kan være mulig for forbrukere i nye land å forlange standardgarantien for kvalifiserte produkter utover perioden for standardgarantien ved å registrere dem på nettsiden www.ryobitools.eu. Dersom produktet er kvalifisert for den forlengede garantien («Forlengt garanti»), angis dette på emballasjen til produktet, på nettsiden www.ryobitools.eu og/eller i den relevante produktokumentasjonen under <https://www.ryobitools.eu>. For å kunne dra nytte av den forlengede garantien må forbrukere registrere produktet på nettsiden innen 30 kalenderdager fra kjøpsdatoen. Alle personopplysningene til forbrukere behandles i henhold til personvernerklæringen, som du finner her: <https://uk.ryobitools.eu/footer-links/privacy-policy/>. Kuttivering for bekreftet registrering, som sendes på e-post, og den opprinnelige faktaturen som viser kjøpsdatoen, fungerer som bevis for den forlengede garantien.

3. Standardgarantien og den forlengede garantien («Garantier») er begrenset til reparasjon og/eller erstatning av det defekte produktet eller TTIs skade, såfremt fabrikkansesjen eller materialetiften eksisterer på kjøpsdatoen. Ingen ytterligere kostnader eller tap dekket. I tillegg gjelder garantiene ikke for

- eventuelle skader forårsaket med eller uten hensikt, eller på grunn av uaktsomhet fra forbrukers side
- eventuelle skader på produktet som følge av feilaktig håndtering eller mangler på vedlikehold
- ethvert produkt som har blitt endret eller modifisert
- ethvert produkt der opprinnelig identifikasjonsmerking (varemerke, serienummer) har blitt ødelagt, endret eller fjernet
- eventuelle skader som følge av at brukerhåndboken ikke er fulgt
- produkter som ikke er underlagt CE/UKCA-merking
- ethvert produkt som er forsøkt reparert av et uautorisert servicесenter eller uten autorisasjon fra TTI på forhand
- ethvert produkt som har blitt koblet til feil strømforsyning (ampere, spenning, frekvens)
- ethvert produkt som er brukt med feil drivstoffblandning (drivstoff, olje, oljeforhold)
- eventuelle skade som følge av eksterne påvirkninger (vann, kjemisk eller fysisk påvirkning, støt) eller forårsaket av fremmedlegemer
- normal slitasje på reservedeler
- feilaktig bruk, overbelastning av produktet
- bruk av tilbehør eller deler som ikke er godkjent
- medfølgende tilbehør for elektroværktøyet eller tilbehør kjøpt separat (Disse unntakene inkluderer, men er ikke begrenset til, skrutrekkerbitt, drilbitt, slipeskiver, slippeskiver og -blader og sideskinner.)
- komponenter (deler og tilbehør) som utsettes for normal slitasje, inkludert, men ikke begrenset til, service- og vedlikeholdsnett, kullbørster, lagre, chok, tilbehør for SDS-drilbitt eller-motak, strømledning, ekstrahåndtak, bareeskje, slipeskive, støvpose, utløpsrør for støv, filterkuler, bolter og fjærer for muttertrekkere, bukkforer, drivmerer, clutch, blader for hekkakseler eller gressklippere, seler, kablespleid, tinner, lasebolter, viltner for blåser, rør for blåsere og sugere, supergoper og -stropper, styreskinner, sagkjeder, slanger, kollingsfester, spraymattstikker, hjul, sprøytestenger, indre spoler, ytre spoler, trimmetråder, tennplugger, luftfilter, gassfilter, mulchinginnsav.

4. For garantiservice må produktet innen rimelig tid etter at hendelsen oppstod eller fabrikkansesjen eller materialetiften ble oppdaget, sendes til eller fremlegges for en autorisert RYOBI-servicесenter som er oppgitt på følgende nettside: <https://www.ryobitools.eu/>. Forbrukere kan få garantiservice fra en RYOBI-servicесenter ved å

- a. kontakte detaljhandleren som produktet ble kjøpt fra, eller
- b. registrere produktet via servicеплатform som er tilgjengelig på RYOBI Commercial-nettsiden <https://www.ryobitools.eu/>. Tilgjengeligheten til prosessen kan variere fra land til land.

Når et produkt skal sendes til en autorisert RYOBI-servicесenter, må produktet pakkes forsvarlig uten farlig innhold (for mer informasjon kan du se sikkerhetsinstruksjonene på nettsiden <https://www.ryobitools.eu/>) og pakken må merkes med avsenders adresse samt inneholde en kort beskrivelse av feilen. Merk at leveringskostnader eller porten i noen land må betales av avsender i henhold til lokale rettsreguleringer. Ta kontakt med ditt lokale autoriserte RYOBI-servicесenter for å finne ut om slike avgifter gjelder for deg.

5. Produktet som forbrukeren mener er defekt, kontrolleres ved mottak. Når feilen er bekreftet, leveres tjenesten under garantien gjennom reparasjon av de defekte delene av produktet eller ved å skifte dem ut med fungerende deler eller TTIs skade. Hvis TTI velger å ikke reparere feilen, eller hvis reparasjonen ikke var vellykket, etter TTIs skade, leveres en tilsvarende erstatning. De erstatte produktene eller delene bli TTIs eiendom. Enhver reparasjon/erstatning over de ovennevnte garantiene er gratis. Reparasjon/erstatningen utført av TTI innebærer ikke en forlengelse av garantiene eller en ny periode på garantiperioden. De erstatte reservedelene er underlagt garantiene som opprinnelig ble gitt, og perioden for garantiene utløper i samsvar med garantiperioden som opprinnelig ble gitt for hele produktet.

6. Garantier fra RYOBI gis av Technonic Industries GmbH, Max-Eyth-Str. 10, 71364 Winnenden, Tyskland, og de gjelder kun for forbrukeren som opprinnelig kjøpte produktet. De kan ikke overføres eller tildeles.

7. Garantier er gyldige i Det europeiske økonomiske samarbeidsområdet (EOS), Sveits og Storbritannia. Dersom du ikke befinner deg innenfor disse områdene, kan du kontakte detaljhandleren der kjøpet ble gjort, for å finne ut om en annen frivillig garanti gjelder.

AUTORISERT SERVICESENTER

Enhver forespørsel eller problem med produktet kan henvises til de lokale autoriserte servicесentrene (se www.ryobitools.eu/) eller direkte til Technonic Industries GmbH, Max Eyth Straße 10, 71364 Winnenden, Germany. Angi serienummer og produkttype som er trykket på etiketten.

RU УСЛОВИЯ ДЕЙСТВИЯ ГАРАНТИИ НА ПРОДУКЦИЮ RYOBI

В дополнение к любым законным правам, возникающим в результате покупки изделия, и без ущерба для законных прав, которые предоставляются отдельно и на безвозмездной основе, на все новые электроинструменты и/или садовые инструменты под торговой маркой RYOBI, перечисленные на нашем сайте, за исключением принадлежностей для инструментов, систем хранения инструментов и запасных частей, и именуемые далее как «Продукт», действует добровольно предоставляемая компанией Technonic Industries GmbH (далее – «TTI») гарантия (далее – «Гарантия») в соответствии с условиями и положениями, указанными ниже.

Гарантия распространяется только на покупателей, которые приобретают продукты и являются их конечными пользователями (далее – «Покупатели»). Дилерские центры, компании по аренде техники, а также профессиональные конечные пользователи в иной форме исключаются из настоящей общей политики и условий гарантии. Для профессиональных конечных пользователей на определенные продукты может распространяться добровольно предоставляемая гарантия другого типа, если это явно указано на сайте www.ryobitools.eu. Ограничения настоящей добровольно предоставляемой Гарантии не apply на законные права Покупателя в случае наличия дефекта.

1. Период действия Стандартной гарантии (далее – «Стандартная гарантия»), при условии что Продукт приобретается только для частного использования, составляет 24 месяца (далее – «Стандартный гарантийный период») и начинается с даты приобретения Продукта. Чтобы Стандартная гарантия была действительной и имела законную силу, эта дата должна быть документально подтверждена чеком или иным документом, подтверждающим факт покупки. Настоящая Стандартная гарантия распространяется только на новые Продукты.

2. В некоторых странах Покупатели могут получить Стандартную гарантию на определенные Продукты после истечения срока действия Стандартной гарантии путем регистрации на сайте www.ryobitools.eu. Право на получение Расширенной гарантии (далее – «Расширенная гарантия») указано на упаковке Продукта, на сайте www.ryobitools.eu или в сопутствующей документации к Продукту, которая доступна на сайте <https://www.ryobitools.eu/>. Чтобы получить Расширенную гарантию, Покупатели должны зарегистрировать свои Продукты онлайн в течение 30 календарных дней с даты покупки. Все персональные данные Покупателя будут обрабатываться в соответствии с положением о конфиденциальности, которое доступно по адресу <https://uk.ryobitools.eu/footer-links/privacy-policy/>. Подтверждение регистрации, полученное по электронной почте, и оригинал чека с датой покупки будут служить подтверждением Расширенной гарантии.

3. Обязательства по Стандартной и Расширенной гарантии (далее – «Гарантии») ограничиваются ремонтом или заменой дефектного Продукта по усмотрению компании TTI при условии, что производственный дефект или дефект материалов существовал на момент покупки. Реставрация на возмещение дополнительных расходов или убытков не принимается. Кроме того, Гарантии не покрывают следующие:

- любой ущерб, причиненный случайно, намеренно или по неосторожности покупателем
- любые повреждения Продукта в результате неправильного использования или недостаточного технического обслуживания
- любой Продукт, подвергшийся изменениям или модификации
- любой Продукт, оригинальные идентификационные элементы (торговая марка, серийный номер) которого были изменены, повреждены или удалены
- любые повреждения, возникшие по причине несоблюдения инструкций по эксплуатации
- Продукты, которые не сертифицированы CE/UKCA
- любой Продукт, попытка произвести ремонт которого была выполнена в неавторизованном сервисном центре или без предварительного разрешения компании TTI
- любой Продукт, подключенный к неподходящему источнику питания (несоответствие силы тока, напряжения, частоты)
- любой Продукт, в котором использовалась неподходящая топливная смесь (неподходящее топливо, масло или неправильное соотношение топлива и масла)
- любые повреждения, вызванные внешними воздействиями (вода, химические вещества, физические факторы, удары) или сопутствующими веществами
- естественный износ запасных частей
- неправильное использование, перегрузка Продукта(ов)
- использование необязательных принадлежностей или неоригинальных запасных частей
- принадлежности для электроинструмента, входящие в комплект поставки инструмента или приобретенные отдельно. К таким исключениям относятся, помимо прочего, биты для отвертки, сверла, абразивные диски, наждачная бумага и ножи, боевая напильница и т. д.
- компоненты (запасные части и принадлежности), подверженные естественному износу, включая, помимо прочего, комплект для обслуживания, используемые инструменты, подшипники, патрон, крепление или лезво сверла SDS, шнур питания, дополнительную рукоятку, ящик или сумку для трансформатора, шиферную пластину, мешок для сбора пыли, трубу отвода пыли, войлочные щетки, штифты и пружины ударного гайковатора, ударные шулки, приводные ремни, муфта, лезвия ножики для живой изгороди или ножи газонокосилок, оснату, дроссельный регулятор с тросом, граблины, палцы сенового устройства, вентиляторы воздуходува, нагнетательные и вакуумные трубки, вакуумный мешок и щетки, пыльные щины и чехлы, шланги, соединительные элементы, насадки для распыления, колеса, шланги-распылители, внутренние катушки, внешние шулки, режущие корды, свечи зажигания, воздушные фильтры, газозащитные фильтры, ножи для мульчирования и т. д.

4. Для гарантийного обслуживания Продукт(ы) должны быть отправлены или принесены без неоправданной задержки после возникновения или подтверждения производственного дефекта или дефекта материалов одному из авторизованных партнеров по техническому обслуживанию компании RYOBI, указанных на сайте <https://www.ryobitools.eu/>. Покупатели могут получить обслуживание по Гарантиям у партнера по техническому обслуживанию RYOBI следующим образом:

- a. путем обращения в дилерский центр, где была совершена покупка; или
- b. путем регистрации на сервисной платформе, доступной на коммерческом сайте RYOBI <https://www.ryobitools.eu/> (доступность сервиса может отличаться в зависимости от страны).

При отправке изделия авторизованному партнеру по техническому обслуживанию компании RYOBI изделие должно быть надлежащим образом использовано опасных материалов (подробнее см. инструкции по технике безопасности на сайте <https://www.ryobitools.eu/>), с указанием адреса отправителя и кратким описанием дефекта. Обратите внимание, что в некоторых странах в соответствии с местными правилами доставка или почтовые расходы оплачиваются отправителем. Обратитесь в местный авторизованный сервисный центр RYOBI, чтобы уточнить условия оплаты.

5. После получения Продукта, заявленного Покупателем как дефектный, будет проведена его проверка. После подтверждения дефекта по Гарантиям будет выполнен ремонт или замена дефектных деталей изделия по усмотрению компании TTI. Если TTI отказывается выполнять ремонт дефекта или по решению компании TTI ремонт не может быть выполнен успешно, будет предоставлена эквивалентная замена. Заменяемые Продукты или детали становятся собственностью TTI. Любые ремонтные работы/замены, предусмотренные условиями вышеуказанных Гарантий, выполняются бесплатно. Ремонт/замена, выполняемые TTI, не дают право на продление или получение новых Гарантий. На заменяемые запасные части распространяются первоначально предоставленные Гарантии, и срок действия Гарантий истекает в соответствии с периодом действия первоначально предоставленной Гарантии на весь Продукт.

6. Гарантии RYOBI предоставляются компанией Technonic Industries GmbH, Max-Eyth-Str. 10, 71364 Winnenden, Германия, только первому Покупателю Продукта и не могут быть переданы или уступлены другому лицу.

7. Гарантии действуют в странах Европейской экономической зоны (ЕЭЗ), Швейцарии и Великобритании. За пределами этих регионов обратитесь в дилерский центр, где была совершена покупка, чтобы уточнить наличие других добровольно предоставляемых гарантий.

АВТОРИЗОВАННЫЙ СЕРВИСНЫЙ ЦЕНТР

При возникновении проблем с изделием обращайтесь в один из региональных авторизованных сервисных центров (см. www.ryobitools.eu/) или напрямую: Technonic Industries GmbH, Max Eyth Straße 10, 71364 Winnenden, Germany. Укажите серийный номер и тип изделия, указанные на табличке.

PL WARUNKI STOSOWANIA GWARANCJI RYOBI

Wszystkie nowe elektronarzędzia marki RYOBI lub narzędzia ogrodowe wymienione na naszej stronie internetowej, z wyłączeniem akcesoriów narzędziowych, systemów przechowywania narzędzi, części zamiennych, zgodnie z opisem w punkcie „Produkt” są objęte dodatkowo do wszelkich ustawowych praw wynikających z zakupu produktu i bez uszczerbku dla praw ustawowych, które obowiązują niezależnie i bezpłatnie, dobrowolną gwarancją wydaną przez Technonic Industries GmbH („TI”) z zastrzeżeniem warunków określonych poniżej („Gwarancja”).

Gwarancja ma zastosowanie wyłącznie do nabywców, którzy kupują produkty jako użytkownicy końcowi w charakterze konsumentów („Konsument”). Sprzedawcy detaliczni, wypożyczalnie, a także profesjonaliści użytkownicy końcowi są wyrażnie wyłączeni z niniejszych ogólnych warunków gwarancji. W przypadku profesjonalnych użytkowników końcowych do niektórych produktów może mieć zastosowanie inny rodzaj dobrowolnej gwarancji, o ile zostało to wyraźnie przewidziane na stronie www.ryobitools.eu. Odwołanie się do niniejszej, dobrowolnej Gwarancji nie ogranicza ustawowych praw Konsumenta w przypadku wystąpienia wad.

1. Standardowa gwarancja („Gwarancja standardowa”), pod warunkiem, że Produkt został zakupiony wyłącznie do użytku prywatnego, obowiązuje przez okres 24 miesięcy („Standardowy okres gwarancyjny”) i rozpoczyna się w dniu zakupu produktu. Data ta musi być udokumentowana fakturą lub innym dowodem zakupu, aby standardowa gwarancja była ważna i wykonalna. Niniejsza Gwarancja standardowa dotyczy również wyłącznie nowych produktów.

2. Konsument w niektórych krajach może przedłużyć Gwarancję standardową na kwalifikujące się produkty poza jej okres obowiązywania, rejestrując się na stronie www.ryobitools.eu. Możliwość zakwalifikowania produktów do „rozszerzonej gwarancji” („Gwarancja rozszerzona”) jest określona na opakowaniu produktu, na stronie internetowej www.ryobitools.eu lub jest zawarta w odpowiedniej dokumentacji produktu pod adresem <https://www.ryobitools.eu>. Aby zmobilizować skorzystanie z Gwarancji rozszerzonej, konsument musi zobowiązać do zarejestrowania swojego produktu (produktów) online w ciągu 30 dni kalendarzowych od daty zakupu. Wszystkie dane osobowe konsumenta będą przetwarzane zgodnie z oświadczeniem o ochronie prywatności, które można znaleźć pod adresem <https://uk.ryobitools.eu/footer-links/privacy-policy/>. Potwierdzenie rejestracji, które jest wysłane pocztą elektroniczną, oraz oryginalna faktura z daty zakupu, będą stanowić dowód przedłużenia Gwarancji.

3. Gwarancja standardowa i Gwarancja rozszerzona („Gwarancje”) są ograniczone do naprawy i/lub wymiany wadliwego produktu według uznania firmy TI, pod warunkiem, że wada wykonania lub materiału istniała w dniu zakupu. Nie można składać żadnych dodatkowych roszczeń z tytułu kosztów ani strat. Ponadto gwarancje nie mają zastosowania do:

- wszelkich uszkodzeń spowodowanych przypadkowo, umyślnie lub przez zaniebdanie Konsumenta
 - wszelkich uszkodzeń produktu, które są wynikiem niewłaściwego postępowania z produktem lub braku konserwacji
 - wszelkich produktów, które zostały zmienione lub zmodyfikowane
 - wszelkich produktów, w którym oryginalne oznaczenia identyfikacyjne (znak towarowy, numer seryjny) zostały zniszczone, zmienione lub usunięte
 - wszelkich uszkodzeń spowodowanych nieprzestrzeganiem instrukcji obsługi
 - produktów, które nie podlegają oznakowaniu CE/UKCA
 - wszelkich produktów, który próbowano naprawić przez nieautoryzowane centrum serwisowe lub bez uprzedniej zgody firmy TI
 - wszelkich produktów podłączonych do niewłaściwego zasilania (napięcie, napięcie, częstotliwość)
 - wszelkich produktów używanych z nieodpowiednią mieszanką paliwa (paliwo, olej, stosunek oleju)
 - wszelkich uszkodzeń spowodowanych przez czynniki zewnętrzne (woda, chemikalia, wstrząsy fizyczne) lub substancje obce
 - normalne zużycia części zamiennych
 - niewłaściwego użycia, przeciążenia produktu
 - stosowania niezatwierdzonych akcesoriów lub części
 - akcesoriów do elektronarzędzi dostarczanych wraz z narzędziem lub zakupionych oddzielnie. Takie wyłączenia obejmują między innymi bity wkrętaka, wiertła, łańcuchy, papier ścierny i ostra, prowadnice boczne
 - elementy części (akcesoria), które podlegają normalnemu zużyciu, w tym między innymi zestawy serwisowe i konserwacyjne, szczotki węglowe, łożyska, uchwyty, mocowanie lub gniazdo wtyczki SAS, przedwzrassilający, uchwyty mocownicze, walizka transportowa, płyta szlifująca, worek na kurz, nura odprowadzająca kurz, podkładki foliowe, kółka i sprężyny klucza udarowego, pokręta, pasy napędowe, sprzęgło, oszra nożna do wyprostów lub kosiariek do trawy, oprządek, przepustnica kablowa, zęby, sworznie zaczepowe, wentylatory dmuchawy, rury dmuchawki i odkurzaczy, worki i paski do odkurzacza, prowadnice, łańcuchy do pilarek, przewody elastyczne, złączki, dysze rozpryskające, koka, rozpylacze, bełny wentylatorne, swarki zewnętrzne, linie tnące, świece zapłonowe, filtry powietrza, filtry gazu, ostra do młuczenia bitu.
4. W celu obsługi gwarancyjnej Produkt musi zostać wysłany lub przedstawiony bez zbędnej zwłoki po wystąpieniu lub stwierdzeniu wady wykonania lub materiału autoryzowanemu partnerowi serwisowemu RYOBI wymienionemu na poniższej stronie internetowej <https://www.ryobitools.eu>. Konsument może uzyskać usługi na podstawie gwarancji od partnera serwisowego RYOBI poprzez:

- a. kontakt ze sprzedawcą detalicznym, u którego dokonano zakupu; lub
 - b. rejestrację za pośrednictwem platformy usługowej dostępnej na stronie internetowej RYOBI Commercial <https://www.ryobitools.eu>, dostępność procesu może różnić się w zależności od kraju.
- Przy wyborze produktu do autoryzowanego partnera serwisowego RYOBI należy bezpiecznie zapakować produkt bez niebezpiecznej zawartości (szczegółowe informacje można znaleźć w instrukcji bezpieczeństwa na stronie internetowej <https://www.ryobitools.eu>), zaznaczając adres nadawcy i wraz z krótkim opisem wady. Należy pamiętać, że w niektórych krajach koszty wysyłki będą musiały zostać uszczerbkiem przez nadawcę zgodnie z lokalnymi zwyczajami. Należy skonsultować się z lokalnym autoryzowanym centrum serwisowym firmy RYOBI, aby potwierdzić, czy takie opłaty obowiązują.

5. Po otrzymaniu produktu znanego przez Konsumenta za wadliwy zostanie on sprawdzony. Po potwierdzeniu wady wynikającej z gwarancji usługi będą świadczone poprzez naprawę wadliwych części produktów lub wymianę ich na części niediadające według uznania firmy TI. Jeśli firma TI odmówi naprawy uszerek lub jeśli według jej uznania naprawa nie powiodła się, zostanie zapewniona równoważna wymiana. Zastąpienie produktu lub części stana się własnością TI. Wszelkie naprawy/wymiany w ramach powyższych gwarancji są bezpłatne. Naprawy/wymiany przeprowadzone przez firmę TI nie stanowią przedłużenia ani nowego początku gwarancji. Wymienne części zamienne podlegają pierwotnie uzdzielonym gwarancjom, a okres ich gwarancji zakończy się wraz z okresem gwarancji, która pierwotnie została udzielona na cały produkt.

6. Gwarancja RYOBI udzielana jest przez Technonic Industries GmbH, Max-Eyth-Str.10, 71364 Winnenden, Niemcy, wyłącznie Konsumentowi, który pierwotnie zakupił produkt, i nie mogą być przenoszone ani przekazywane.

7. Gwarancje obowiązują w Europejskich Obszarach Gospodarczych (EOG), Szwajcarii i Wielkiej Brytanii. Poza tymi obszarami należy skontaktować się ze sprzedawcą detalicznym, u którego dokonano zakupu, aby dowiedzieć się, czy obowiązują inne dobrowolne gwarancje.

AUTORYZOWANE CENTRUM SERWISOWE

Wszelkie zapytania i problemy z produktem można zgłaszać do lokalnych autoryzowanych centrów serwisowych ([patrz www.ryobitools.eu](https://www.ryobitools.eu)) lub bezpośrednio do: Technonic Industries GmbH, Max Eyth Straße 10, 71364 Winnenden, Germany. Prosimy o podanie wydrukowanego na etykiecie numeru seryjnego oraz typu produktu.

CS PODMÍNKY PLATNOSTI ŽÁRUKY SPOLEČNOSTI RYOBI

Kromě jakýchkoli zákonných práv vyplývajících z nákupu výrobku a aniž jsou dotčena zákonná práva, která platí nezávisle a bezpečně, veškeré nové elektrické nářadí značky RYOBI a/nebo zahradní nářadí uvedené na našich webových stránkách, s výjimkou příslušenství nářadí, nástrojů, systémů pro skladování nástrojů a náhradních dílů, jak je dále uvedeno v části („Výrobek“), je kromě dobrovolného záruku vydanou společností Technonic Industries GmbH („TI”), a to za níže uvedených podmínek („žáruka”).

Žáruka se vztahuje pouze na záručníky, kteří kupují výrobky jako koncoví uživatelé v rámci své spotřebitelské role (dále jen „spotřebitel“). Malobchodníci, nápočivky a rovněž profesionální koncoví uživatelé jsou z těchto všeobecných podmínek žáruky výslovně vyloučeni. V případě profesionálních koncových uživatelů může pro určitě výrobky platit jiný typ dobrovolné žáruky, je-li výslovně uvedeno na webových stránkách www.ryobitools.eu. Vyplnění této dobrovolné žáruky nemožuje zákonná práva spotřebitele v případě vady.

1. Standardní žáruka (dále jen „standardní žáruka”) za předpokladu, že v rámci žáruky zakoupen pouze pro soukromé použití, trvá po dobu 24 měsíců (dále jen „standardní záruční lhůta”) a začíná dnem zakoupení výrobku. Toto datum musí být zdokumentováno fakturou nebo jiným dokladem o nákupu, aby byla standardní žáruka platná a vymahatelná. Tato standardní žáruka se vztahuje pouze na nové výrobky.

2. Spotřebitel v některých zemích mohou mít možnost prodloužit standardní žáruku na způsobilé výrobky ještě za lhůtu standardní žáruky, a to registrací na webových stránkách www.ryobitools.eu. Způsobilé výrobky pro prodloužení žáruky („prodloužená žáruka”) je uvedena na obalu výrobku, na webových stránkách www.ryobitools.eu a/nebo je uvedena v příslušné produktové dokumentaci na adrese <https://www.ryobitools.eu>. Aby bylo možné využít výhodu prodloužené žáruky, musí spotřebitel zaregistrovat své výrobky online do 30 kalendarických dnů od data nákupu, pokud budou moct být vyřazeny z výroby žáruky. Veškeré osobní údaje spotřebitele budou zpracovány v souladu s prohlášením o ochraně osobních údajů, které naleznete na adrese <https://uk.ryobitools.eu/footer-links/privacy-policy/>. Potvrzení registrace, která se zasílá e-mailem, a původní faktura s datem nákupu, budou sloužit jako doklad o prodloužené žáruce.

3. Standardní žáruka a prodloužená žáruka (dále jen „žáruka”) jsou omezeny na opravu a/nebo výměnu vadného výrobku dle uvážení společnosti TI za předpokladu, že z datu nákupu existuje vada zpracování nebo materiálu. Nelze uplatnit žádné další náklady ani ztráty. Kromě toho se žáruka nevztahuje na:

- žádné škody způsobené spotřebitelem náhodným, umyślně nebo z nedbalosti
- žádné poškození výrobku způsobené nepřetržitým zacházením nebo nedostatečnou údržbou
- žádný výrobek, který byl změněn nebo upraven
- žádný výrobek, u kterého došlo k porušení, změně nebo odstranění původního identifikačního označení (ochranná známka, sériové číslo)
- žádné poškození způsobené nedodržením návodu k použití
- žádný výrobek, který nejsou předmětem oznávení CE/UKCA
- žádný výrobek, který byl opraven v neautorizovaném servisním středisku nebo bez předchozího souhlasu společnosti TI
- žádný výrobek připojený k nesprávnému druhu napájení (ampéry, napětí, frekvence)
- žádný výrobek používaný s nevhodnou směsí paliva (palivo, olej, poměr oleje)
- žádné poškození způsobené vnějšími vlivy (voda, působení chemikálií, fyzikální podmínky, nárazy) nebo cizorodými látkami
- běžné opotřebení a opofebení náhradních dílů
- nevhodné použití, přetížení výrobku či výrobků
- použití neschvalněného příslušenství nebo dílů
- příslušenství k elektrickým nástrojům dodávané s nástrojem nebo zakoupené samostatně. Takové výjimky, zejména šroubovací bity, vrtáky, brusné kotouče, smrkový papír a čepele, součásti dodávané vedení (díly a příslušenství), které podléhají normálnímu opofebení, zejména pak servisní a údržbové sady, uhlíkové kartače, ložiska, skřidlo, nástavec nebo uchyt vrtáku SDS, napájecí kabel, pomocná rukojet, přepravní kufřík, brusná skřidla, pracovní šabek, odsávací trubice na prach, plísňové podložky, kolíky a pružiny pro rázové utahovačky, dorazové koflíčky, hnací řemeny, spojka, ostří nůžek na živý plot, nebo nože sekačky na trávu, postroj, stopkový kábel, hroty, závěsné koflíky, ventilátory fukací, fukací a odsávací trubice, sáček vysavače a popruhy, vodní lišty, pilové řetězy, vodní lišty, sekačky, spojovací armatury, rozprašovací trysky, lišty, postřikovací trysky, vnitřní čírková vlna, vnější čírková vlna, řezací lišty, zapalovací svíčky, vzduchové filtry, plynové filtry, mluvcové zněti apod.

4. Pro účely záručního servisu musí být výrobek (výrobky) odeslán nebo předloženy bez zbytečného odkladu po výskytu nebo uznání vady zpracování nebo materiálu autorizovanému servisnímu partnerovi společnosti RYOBI uvedenému na následujících webových stránkách <https://www.ryobitools.eu>. Spotřebitelé mohou získat záruku v rámci záruky od servisního partnera RYOBI:

- a. kontaktním střediskem, u kterého byl nákup uskutečněn; nebo
 - b. registrací prostřednictvím servisní platformy dostupné na komerční webové stránce společnosti RYOBI na adrese <https://www.ryobitools.eu>, dostupnost procesu se může v jednotlivých zemích lišit.
- Prí odesláním výrobku autorizovanému servisnímu partnerovi společnosti RYOBI musí být výrobek bezpečně zabalen a bez nebezpečného obsahu (podrobnosti naleznete v bezpečnostních pokynech na webových stránkách <https://www.ryobitools.eu>), označen adresou odlesátelky a doplněn krátkým popisem vady. Vezměte na vědomí, že v některých zemích bude muset odlesátelka uplatnit poplatky za doručení nebo poštovné v souladu s místní praxí. Informace o tom, zda jsou tyto poplatky účtovány, vám poskytne místní autorizovaný servisní středisko společnosti RYOBI.

5. Po výběru výrobku, který je dle spotřebitele vadný, bude výrobek zkontrolován. Když se závada potvrdí, budou poskytnuty služby dle ustanovení žáruky ve formě oprav vadných dílů výrobku nebo jejich výměny za bezvadné díly, a to dle uvážení společnosti TI. Pokud společnost TI odmítne závadu opravit nebo pokud se oprava podle ustanovení společnosti TI nezdaří, bude dodána ekvivalentní náhrada. Nahrazené výrobky nebo díly se stanou vlastnictvím společnosti TI. Veškeré opravy nebo výměny podle výše uvedených žárúk jsou zdarma. Opravy nebo výměny provedené společností TI nezakládají nárok na prodloužení ani na nový začátek žáruky. Uvyměněné náhradní díly podléhají uvedeným žárukám a záruční lhůta těchto záruk skončí lhůtu záruky, která byla původně poskytnuta na celý výrobek.

6. Žáruka společnosti RYOBI uděluje společnost Technonic Industries GmbH, Max-Eyth-Str.10, 71364 Winnenden, Německo, pouze spotřebiteli, který výrobek původně zakoupil – výrobek nesmí být převeden ani postoupen.

7. Žáruky jsou platné v Evropském hospodářském prostoru (EHP), Švýcarsku a Velké Británii. Mimo tyto oblasti se obratě na prodávce, u kterého se uskutečnil nákup, a zjistěte, zda se na výrobek nevztahuje jiná dobvolná žáruka.

AUTORIZOVANÉ SERVISNÍ STŘEDISKO

S požadky nebo problémy týkajícími se tohoto výrobku se můžete obrátit na místní pověřená servisní střediska (podle www.ryobitools.eu) nebo přímo na: Technonic Industries GmbH, Max Eyth Straße 10, 71364 Winnenden, Germany. Uveďte výrobní číslo a druh výrobku ze štítku.

HU RYOBI GARANCIA ALKALMAZÁSI FELTÉTELEI

A termék megvásárlásából eredő törvényes jogokon túlmenően és a törvényes jogok sérelme nélkül – amelyek függetlenül és térítésmentesen érvényesek –, a weboldalon felsorolt minden új RYOBI márkájú elektromos szerszáma és/vagy kerli szerszáma, kivéve a szerszámartozékokat, szerszámoló rendszereket és pótalkatrészeket a továbbiakban a „Termék” fogalmak melletti kiadó okéntes garancia („Garancia”) vonatkozik. („TTI”) által az alábbiakban meghatározott feltételek mellett kiadó okéntes garancia („Garancia”) vonatkozik. A garancia kizárólag a terméket végfelhasználókat, fogyasztókat („Fogyasztó”) megvásároló vendő/körre vonatkozik. A kiskereskedések, a kölcsönző cégek, valamint a professzionális végfelhasználók kifejezetten ki vannak zárva a garancia ezen általános feltételei alól. A professzionális végfelhasználók számára bizonyos termékek/ekre még típusú okéntes garancia vonatkozik, amennyiben azt a www.ryobitools.eu weboldalon kifejezetten fel van tüntetve. Az okéntes garancia igénybevétele nem korlátozza a Fogyasztó törvényes jogait meghibásodás esetén.

- A Standard Garancia („Standard garancia”), feltevé, hogy a terméket kizárólag magánélethere vásárolják meg. 24 hónapos időtartamú („Standard garanciaösszár”), és a termék megvásárlásának napján kezdődik. Ezt az időpontot számvállyal egyébt, vásárlást igazoló dokumentummal kell dokumentálni ahhoz, hogy a Standard garancia érvényes és érvényesíthető legyen. Ez a Standard garancia szintén csak az új Termék(ek) re vonatkozik.
- Egyes országokban a fogyasztók a www.ryobitools.eu weboldalon történő regisztrációval meghosszabbíthatják a Standard garancia időtartamát az arra jogsúllt terméknek esetében. A termék kiterjesztett garanciára („Kiterjesztett garancia”) való jogsúlltság a Termék csomagolásán, a www.ryobitools.eu weboldalon és/vagy a vonatkozó termékdocumentációban a <https://www.ryobitools.eu> címen található. A Kiterjesztett garancia igénybevételehez a fogyasztóknak a vásárlás napjától számított 30 nappári napon belül online regisztrálniuk kell a Termék(ek)et. A Fogyasztó minden személyes adatát az adatszámítást nyilatkozatának megfelelően dolgozzák fel, amely itt található: <https://uk.ryobitools.eu/footer-links/privacy-policy/>. A Kiterjesztett garancia igazolásáért a regisztráció visszajáigazoló, e-mailben kiküldött nyugta és a vásárlás dátumát feltüntető eredeti számla szolgál.
- A Standard Garancia és a Kiterjesztett Garancia („Garanciák”) a TTI döntése szerint a hibás Termék javítására és/vagy cseréjére korlátozódik, feltevé, hogy a gyártási vagy anyaghiba a vásárlás időpontjában fennállt. További költségek vagy veszteségek megtérítése nem igényelhető. Ezen túlmenően a garanciák nem vonatkoznak a következőkre:
 - a Fogyasztó által véletlenül, szándékosan vagy gondatlanságból okozott kár
 - a Termékben a nem megfelelő kezelés vagy a karbantartás hiánya miatt bekövetkezett kár
 - bármely olyan termék, amelyet általalkítottak vagy módosítottak
 - bármely olyan termék, amelyen az eredeti azonosító jelzést (védjegy, sorozatszám) lefestették, megváltoztatták vagy eltávolították
 - a használati utasítás be nem tartása miatt kelezett szervizközpont vagy a TTI előzetes engedélye nélkül próbáltak megjavítani
 - nem megfelelő lépégséghez csatlakoztatott termék (amper, feszültség, frekvencia)
 - nem megfelelő üzemanyag-keverékekkel (üzemanyag, olaj, olaj aránya) használt bármely termék
 - külső behatás (víz, vegyszer, fizikai, áramtétis) vagy idegen anyagok által okozott kár
 - a pótalkatrészek normál éhasználódása
 - a Termék(ek) nem rendeltetésszerű használatá, túlterhelése
 - nem jóváhagyott tartozékok vagy alkatrészek használata,
 - a szerszámok mellékelt vagy külön megvásárolt elektromosszerszám-tartozékok. Ezek a kizáró feltételek érvényesek többek között a normál kopásnak és éhasználódásnak kitett csavarrögzítők, fűrészek, csiszológöröngök, csiszológöröngök és pengék, oldalsó vezető
 - komponensek (alkatrészek és tartozékok) esetében, beleértve többek között a következőket: szerviz- és karbantartási készletek, szénkefék, csapágók, tokmány, fűrészforgólatat vagy -toldalak, tápkábel, kiegészítő fogantyú, hordtáska, csatlakozók, pórszák, pórszivőrgő cső, fűlécátlék, üvegvárosszó csapok és rugók, adagolóbetétek, hűtőszigetelés, langykapcsoló, szőnyegvédő vagy fűnyírók pengék, heveder, fűtőszigetelő fogak, csapágók, fűvágócsatlakozók, fűvágó- és szőnyegvédő, lombzsúrolók és vágófej, vezetőelemek, fűrészlécok, tömlők, csatlakozószerszámok, szőrszűrlők, kerékek, szőrfőzők, belső tárcsák, külső orsók, vágóvonalak, gyújtógyertyák, levegőszűrők, gázszűrők, mulcsözőkészek stb.
- A garanciális szervizeléshez a Termék(ek)et a gyártási vagy anyaghiba megjelenését vagy felmérését követően haladéktalanul el kell küldeni vagy be kell mutatni a <https://www.ryobitools.eu> weboldalon felsorolt hivatalos RYOBI szervizpartnerek valamelyikének. A fogyasztók a Garanciák szerinti szolgáltatásokat egy RYOBI szervizpartnernél lehet igénybe venni a következő módon:
 - a. kapcsolattfelvételi a kereskedővel, ahol a vásárlás történt; vagy
 - b. regisztráció a RYOBI kereskedelmi weboldalon (<https://www.ryobitools.eu>) elérhető szervizplatformon keresztül, a foyamat elérhetőségek országonként eltérő lehet.A Termékek RYOBI hivatalos szervizpartneréhez történő elküldésekor a RYOBI biztonságon, veszélyes anyagok nélkül kell besomagolni (a részleteket lásd a <https://www.ryobitools.eu> weboldalon található biztonsági utasításokban), a feladó címével és a hiba rövid leírásával együtt. Kérjük, ügye figyelembe, hogy egyes országokban a szállítási díjakat vagy a postaköltségeket a helyi gyakorlatnak megfelelően a feladónak kell megfizetnie. Kérjük, forduljon a helyi RYOBI hivatalos szervizközpontjához, hogy megbizonyosodjon arról, hogy Onre is vonatkoznak-e ezek a díjak.
- A Fogyasztó által hibásnak vélt Termék átvételének megtérítés az átvételésig. A hiba megállapítását követően a garanciális szolgáltatások a TTI döntése szerint a terméknek hibás részekének javításával vagy hibátlan alkatrészekkel való cserével valósulnak meg. Ha a TTI elutasítja a hiba kijavítását, vagy ha a TTI mérlegelés szerint a javítás sikertelen volt, akkor egyenértékűlemente biztosít. A kicserélt Termék(ek) vagy alkatrészek (e) a TTI tulajdonába kerül(nek). A fenti garanciák szerinti javítások/cserék ingyenesek. A TTI által végzett javítások/cserékkel nem jár egyúttal a Garanciák meghosszabbítása vagy újraprédése. A kicserélt pótalkatrészekre az eredetileg érvényes Garanciák vonatkoznak, és a Garanciák időtartama a teljes termékre eredetileg adott Garancia időtartamával érvét.
- A RYOBI garanciákat a Technich Industries GmbH (Max-Eyth-Str.10, 71364 Winnenden, Németország) kizárólag a termékkel eredetileg megvásároló fogyasztóknak nyújtja, és azok nem ruházhatók át.
- A Garanciák az Európai Gazdasági Térségben (EGT), Svájcban és az Egyesült Királyságban érvényesek. Ezekben a területeken kell kérniük, forduljon a vásárlási helye szerint kereskedőhöz, hogy megtudja, érvényes-e a termékére más okéntes garancia.

HIVATALOS SZERVIZKÖZPONT

Ha bármilyen kérés vagy problémája van a termékkel kapcsolatban, forduljon a helyi hivatalos szervizközponthoz (átjogasson el a www.ryobitools.eu oldalára), vagy közvetlenül ide: Technich Industries GmbH, Max Eyth Straße 10, 71364 Winnenden, Germany. Adja meg a címekere nyomtatott sorozatszámát és terméktypust.

RO CONDIȚII DE APLICARE A GARANȚIEI RYOBI

În plus față de orice drepturi stabilite care decurg din achiziționarea unui produs și fără a aduce atingere drepturilor stabilite care se aplică în mod independent și gratuit, toate untele electrice și/sau untele de grădini noi marca RYOBI enumerate pe site-ul nostru web, cu excepția accesoriilor pentru unele, a sistemelor de depozitare a untelei și piesele de schimb, așa cum sunt specificate în continuare la „Produs”, sunt acoperite de o garanție voluntară emisă de Technich Industries GmbH („TTI”), conform termenilor și condițiilor menționate mai jos („Garanție”).

Garanția se aplică numai cumpărătorilor care achiziționează produsele ca utilizatori finali în calitatea lor de consumatori („Consumator”). Comercianții cu amănuntul, companiile de închiriere, precum și utilizatorii finali profesioniști sunt excluși în mod expres din acești termeni și condiții generale ale Garanției. Pentru utilizatorii finali profesioniști, se poate aplica un alt tip de garanție voluntară a untelei pentru produse, dacă este prevăzută în mod explicit pe site-ul www.ryobitools.eu. Înlocuirea acestei Garanții anulare nu limitează drepturile legale stabilite ale Consumatorului în cazul unui defect.

- Garantiia standard („Garantiia standard”), cu condiția ca produsul să fie achiziționat numai pentru uz privat, are un termen de 24 de luni („Perioada de garanție standard”) și începe la data achiziționării produsului. Această dată trebuie să fie documentată prin-o factură sau altă dovadă de cumpărare pentru ca Garanția standard să fie valabilă și aplicabilă. De asemenea, această Garanție standard se aplică numai Produselor noi.
- Consumatorii din anumite țări pot prelungi Garanția standard pentru Produsele eligibile dincolo de perioada Garanției standard, prin înregistrarea pe site-ul www.ryobitools.eu. Eligibilitatea Produselor pentru garanție extinsă („Garanția extinsă”) este specificată pe ambalajul unui Produs, pe site-ul www.ryobitools.eu și/sau este cuprinsă în documentația relevantă a Produsului la <https://www.ryobitools.eu>. Pentru a beneficia de Garanția extinsă, Consumatorii sunt obligați să își înregistreze Produsele(ile) online în termen de 30 de zile calendaristice de la data achiziției. Toate datele cu caracter personal ale unui Consumator vor fi prelucrate în conformitate cu declarația de confidențialitate, care poate fi găsită aici <https://ro.ryobitools.eu/footer-links/privacy-policy/>. Chitanța de confirmare a înregistrării, care este trimisă prin e-mail, și factura originală care arată data achiziției vor servi drept dovadă a Garanției extinse.
- Garantiia standard și Garanția extinsă („Garanții”) sunt limitate la repararea și/sau înlocuirea Produsului defect, la discreția TTI, cu condiția ca defectul de manoperă sau material să fi existat la data achiziției. Nu pot fi pretinse alte costuri sau pierderi. În plus, garanțiile nu se aplică:
 - oricăror daune cauzate accidental, voit sau neajutit de către Consumator
 - oricărei deteriorări a Produsului care este rezultatul unui tratament necorespunzător sau al lipsei de întreținere
 - oricărui Produs care a fost alterat sau modificat
 - oricărui Produs la care marcapete de identificare originale (marca comercială, numărul de serie) au fost deteriorate, alterate sau îndepărtate
 - oricăror daune cauzate de neperspectarea manualului de instrucțiuni
 - Produselor care nu sunt supuse unui marcaj CE/UKCA
 - oricărui Produs pentru care s-a încercat repararea de către un centru de service neautorizat sau fără autorizarea prealabilă a TTI
 - oricărui Produs conșcut la o sursă de alimentare necorespunzătoare (amperi, tensiune, frecvență)
 - oricărui Produs folosit cu un amestec de combustibil incorect (combustibil, ulei, raport de ulei)
 - oricăror daune cauzate de influențe externe (apă, substanțe chimice, forțe fizice, șocuri de curent) sau substanțe străine
 - uzurii normale a pieselor de schimb
 - uzurii necorespunzătoare, suprautilizarea Produsului(ilor)
 - utilizării de accesorii sau piese neomologate
 - accesoriilor pentru unele electrice fabricate împreună cu unelata sau achiziționate separat. Astfel de accesorii includ, dar fără a se limita la, capace de surubelniță, burghie, discuri abrazive, hărtie abrazivă și lame, ghidaje laterale
 - componente (piese și accesorii) care sunt supuse uzurii normale, inclusiv, dar fără a se limita la, truse de reparare și înțelinerie, piatră de carbon, rulmenți, maneră, alămășant sau recipient pentru burghie SDS, cutie de alimentare, manerul auxiliar, cutie de transport, placă de șlefuit, sac de praf, tub de evacuare a prafului, șabă de pășit, sfășir și arcuri pentru mașini de înșurubat cu impact, butonare rotative, curele de transmisie, ambreii, lame pentru mașini de luns gard viu sau mașini de luns targa, cabli, accelerație prin cablu, dinți, șifuri de cuplare, ventilatoare de suflantă, tuburi de suflantă de aspirator, sac și curele de aspirator, bare de ghidare, lanțuri de ferăstrău, furturni, racorduri de conectare, duze de pulverizare, roți, baghete de pulverizare, bobine interioare, bobine exterioare, file de tăiere, bușii, filtre de aer, filtre de gaz, lame de mărunțire etc.
- Pentru reparații în garanție, Produsul(ele) trebuie să fie trimis sau prezentat fără întârziere justificată după apariția sau recunoașterea defectului de manoperă sau de material unui partener de service autorizat RYOBI enumerat pe amărulul site web <https://www.ryobitools.eu>. Consumatorii pot obține serviciile conform Garanției de la un partener de servicii RYOBI prin:
 - a. contactarea comerciantului cu amănuntul unde a fost făcută achiziția; sau
 - b. înregistrarea prin intermediul platformei de service disponibilă pe pagina web comercială RYOBI <https://www.ryobitools.eu>, disponibilă la adresa <https://www.ryobitools.eu> și/sau la adresa <https://www.ryobitools.eu>. Când trimiteți un Produs către un partener de service autorizat RYOBI, Produsul va fi ambalat în siguranță, fără conținut periculos (detalii, consultați) instrucțiunile de siguranță de pe site-ul web <https://www.ryobitools.eu>, marcat cu adresa expeditorului și însoțit de o scurtă descriere a defectului. Rețineți că, în unele țări, taxele de livrare sau taxele postale vor trebui plătite de către expeditor, conform practicii locale. Consultați centru de service local autorizat RYOBI pentru a confirma dacă se aplică astfel de taxe.
- La primirea Produsului prețis de către Consumator ca fiind defect, acesta va fi inspectat. Când defectul a fost confirmat, serviciile conform Garanțiilor vor fi furnizate prin repararea pieselor defecte ale produselor sau înlocuirea acestora cu piese nedefecte, la discreția TTI. Dacă TTI refuză să repare defectul sau dacă, la discreția TTI, repararea a eșuat, va fi furnizat un înlocuitor echivalent. Produsul(ile) sau piesele înlocuite vor deveni proprietatea TTI. Orice reparație/inlocuire conform Garanției de pe site-ul nostru este gratuită. Reparația/Înlocuirea efectuată de TTI nu constituie o prelungire sau un nou început al Garanției. Piesele de schimb înlocuite sunt supuse Garanțiilor acordate inițial, iar perioada pentru Garanție se va încheia cu perioada pentru Garanția care a fost acordată inițial pentru înțutul produs.
- Garaniile RYOBI sunt acordate de Technich Industries GmbH, Max-Eyth-Str.10, 71364 Winnenden, Germania, numa Consumatorului care a achiziționat inițial Produsul și nu pot fi transferate sau cesionate.
- Garaniile sunt valabile în Spațiul Economic European (SEE), Elveția și Regatul Unit. În afara acestor zone, vă rugăm să contactați contactul de unde a fost făcută achiziția pentru a afla dacă se aplică o altă garanție voluntară.

CENTRU DE SERVICE AUTORIZAT

În întreabare sau problemă în legătură cu produsul se poate adresa la centrele locale autorizate de service (vizitați www.ryobitools.eu) sau direct la: Technich Industries GmbH, Max Eyth Straße 10, 71364 Winnenden, Germany. Vă rugăm să specificați numărul de serie și tipul de produs tipărite pe etichetă.

LV RYOBI GARANTIJAS PIEMĒROŠANAS NOSACĪJUMI

Papildus visām likumā noteiktajām tiesībām, kas izriet no produkta iegādes, un neietekmējot likumā noteiktās tiesības, kas tiek piemērotas neatkarīgi un bez maksas, visiem RYOBI zīmola elektroinstrumentiem un/vai dārzeņu instrumentiem, kas norādīti šīs noteikuma viēnē, izņemot instrumentu piederamus, instrumentu glabāšanas sistēmas un rezerves daļas, kā detaļoti izskaidrots tālāk ("Produkts"), tiek piemērota brīvprātīgā garantija, ko izsniedz Technonic Industries GmbH ("TTI") atbilstoši tālāk minētajiem noteikumiem un nosacījumiem ("Garantija").

Garantija tiek piemērota tikai priecājām ("iem), kurš(-) iegādājās produktus kā gala lietotājus savā patērētāja lomā ("Patērētājs"). Mazumtirgotāji, nomas uzņēmumi un profesionālie gala lietotāji ir tiešā veidā izslēgti no šiem Garantijas vispārīgajiem noteikumiem un nosacījumiem. Profesionālie gala lietotāji noteiktiem produktiem var būt piemērojama cita veida brīvprātīgā garantija, ja tas ir tiešā veidā norādīts vietnē www.ryobitools.eu. Šīs brīvprātīgās Garantijas izmantošana neietekmē likumā noteiktās Patērētāja juridiskās tiesības defekta gadījumā.

1. Ja Produkts ir iegādāts tikai privātai lietošanai, standartā garantijas ("Standarta garantija") termiņš ir 24 mēneši ("Standarta garantijas periods"), un tās darbība tiek sāka produkta iegādes datumā. Šis datums ir jādokumentē, izsniedzot rēķinu vai citu pierādījumu apliecinājumu, lai Standarta garantija būtu derīga un izmantojama. Šī Standarta garantija tiek piemērota arī jauniem Produktiem.

2. Dažās noteiktās valstīs patērētājam var būt iespēja pagarināt Standarta garantiju atbilstošiem Produktiem pēc Standarta garantijas perioda beigām, reģistrējoties vietnē www.ryobitools.eu. Produktu piemēroto pagarināto garantiju ("Pagarinātā garantija") tiek norādīts uz Produkta iepakojuma, vietnē www.ryobitools.eu un/vai iekļauta atbilstošā Produkta dokumentācijā vietnē <http://www.ryobitools.eu>. Lai varētu izmantot Pagarinātā garantiju, Patērētājiem ir jāreģistrē Produkts lietošanas 30 kalendārā dienā laikā pēc pirkuma datuma. Visa Patērētāja personas informācija tiks apstrādāta atbilstoši ar privātumu paziņojumu, kas pieejams šeit: <https://uk.ryobitools.eu/footer/links/privacy-policy/>. Reģistrācijas apstiprinājuma kvīts, kas tiek nosūtīts pašam zipojuma, un oriģinālais kvīts ar pirkuma datumu tiek izmantota kā Pagarinātās garantijas apliecinājums.

3. Standarta garantija un Pagarinātā garantija ("Garantijas") nodrošina tikai defektu Produkta labošanu un/vai nomaiņu pēc TTI ieskaitiem, ja ražošanas vai materiālu defekts pastāvējis pirkuma datumā. Nevar pieprasīt atbilstošā citās izmaksas vai zaudējumus. Turklāt Garantijas netiek piemērotas:

- Patērētāja nejuas, itīsi vai nolaidības dēļ izraisītu bojājumu gadījumā
- Produkta bojājumam, kas radušies neatbilstošas apēšanās vai apkopes neveikšanas dēļ
- ja Produkts ir mainīts vai modificēts
- ja Produkta oriģinālās identifikācijas zīmes (pircējs, sērijs numurs) ir aizkrāsotas, mainītas vai noņemtas
- ja bojājumu izraisījis rīcība, kas nav saskaņā ar lietošanas rokasgrāmatu
- ja uz Produktiem neattiecas CE/UKCA marķējums
- ja Produktu mēģinājis remontēt nepilnvarots apkopes centrs vai bez TTI iepriekšējas atļaujas
- ja Produktam zveidots savienojums ar neatbilstošas barošanas avotu (ampēri, spriegums, frekvence)
- ja Produkts izmantots ar neatbilstošu degvielas maisījumu (degviela, eļļa, eļļas atliecība)
- ja bojājumu izraisījis ārēja ietekme (ūdens, ķīmiskas vielas, fiziska ietekme, triecieni) vai nepiederošas vielas
- ražošanas daļu nomālam nodilumam
- ja Produkti ir lietoti neatbilstoši vai iet radīta pārslodze
- ja izmantoti neapstiprināti piederumi vai daļas
- elektroinstrumentu piederumiem, kas iekļauti instrumentu komplektācijā vai iegādāti atsevišķi, šādi uzņēmumi ir (bet ne tikai) skrūvgriežu uzgali, urbijs uzgali, abrazīvie diski, smilšspāpns un asmeņi, šānu vadotne
- komponentiem (daļām un piederumiem), uz kuriem attiecas normāls nodilums, tostarp (bet ne tikai) servisa un apkopes komplekts, ogles suklam, gultņiem, stiprināšanas plati, SDS urbijs uzgali stiprinājumiem vai ligzdā, barošanas vadam, papildu rokturim, pārmēšanās futrālīm, slīpēšanas plātei, putekļu maisīnam, putekļu izpūtēja caurulei, filtra stiprinājumi, triecieniznīcinātājs tāpat un atsepmēri, izcēju pogām, piedziņas sistēmas, sagriešanas, dzīvzogu šķēru vai zāles plāvēju asmeņiem, uzkabē, kabēša droselei, stāvējam, sakabes tapām, pūķu ventilatoriem, pūķu un sūksnas caurulēm, sūksnas maisījam un sūksnām, vadotnēm, zāģu ķēdēm, šūtenēm, savienotoju stiprinājumiem, smidzināšanas sprauslām, riteņiem, smidzināšanas zīdēm, iekšējām spūlēm, ārējām spūlēm, griešanas līnijām, aizdedzēs svečēm, gaisa filtrēm, gāzes filtrēm, smalcinātāja lāpstām u.c.

4. Lai veiktu garantijas apkopi, Produkts(-) pēc ražošanas vai materiālu defekta rašanās vai atpazīšanas jānosūta vai jāuzdāzda bez nepamatotas kavēšanas pilnvarotam RYOBI servisa partnerim, kas norādīts vietnē <https://www.ryobitools.eu>. Patērētāji var saņemt Garantijas iekļautos Pakalpojumus no RYOBI servisa partnera:

- a. sazinoties ar mazumtirgotāju, pie kura veikts pirkums;
 - b. reģistrējoties servisa platformā, kas pieejama RYOBI Komerciālajai vietnē <https://www.ryobitools.eu/>; procesa pieejamība dažādās valstīs var atšķīties.
- Nosūdot Produktu pilnvarotam RYOBI servisa partnerim, Produkts tiek droši iesaiņots, nepievienojot bīstamu saturu (detaļlietu informāciju skaidro drošības norādēs vietnē <http://www.ryobitools.eu>), apzīmēts ar sūtītāja adresi, un tam jāpievieno šīs defekta apraksts. Ņemiet vērā, ka dažās valstīs piegādes izmaksas vai pasta izdevumi jāpamaksā sūtītājam atbilstoši vietējai praksei. Konsultējieties ar vietējo pilnvaroto RYOBI apkopes centru, lai noskaidrotu, vai ir spēkā šādas izmaksas.
5. Saņemot Produktu, ko Patērētājs uzskata par defektīvu, tas tiek pārbaudīts. Kad defekta esamība ir apstiprināta, tiek nodrošināti Garantija iekļautie pakalpojumi, remontēto produktu defektīvās daļas vai tās nomainīt pret dažām, kam nav defekta; it tas tiek veikts pēc TTI ieskaitiem. Ja TTI atsākās remontēt defektīvu vai, pēc TTI ieskaitiem, remonts ir nesekmīgs, tiek piegādāts līdzvērtīgs nomaināms elements. Nomainītās(-) Produkts(-) un daļas(-) kļūst par TTI īpašumu. Visi remontlīdzināmas saskaņā ar iepriekš minētajiem Garantijas tiek veikta bez maksas. TTI veiktas remontlīdzināmas nenozīmē, ka Garantijas tiek pagarinātas arī sākas no jauna. Uz nomainītajām rezervēs daļām attiecas sākotnējās Garantijas, un Garantiju periods beidzas līdz ar tās Garantijas periodu, kas sākotnēji piešķirta visu produktam.

6. RYOBI Garantijas nodrošina uzņēmums Technonic Industries GmbH, Max-Eyth-Str.10, 71364 Winnenden, Vācija, tikai Patērētājam, kurš sākotnēji iegādājās Produktu, un tās nevar nodot vai piešķirt.

7. Garantijas ir derīgas Eiropas Ekonomikas zonā (EEZ), Šveicē un Apvienotajā Karalistē. Ārpus šīm zonām sazinieties ar mazumtirgotāju, pie kura veikts pirkums, lai noskaidrotu, vai ir spēkā citas brīvprātīgās garantijas.

PIŅĪVĀRĒTĀS SERVISĀS CENTRS

Ar jebkuru pieprasījumu vai problēmu, kas saistīta ar produktu, var vērsties Jūsu vietējā pilnvarotā servisa centrā (apmeklējiet www.ryobitools.eu) vai tieši pie: Technonic Industries GmbH, Max-Eyth Straße 10, 71364 Winnenden, Germany, Lūdzu, norādiet sērijs numuru un produkta tipu, kas norādīts uz etiķetes.

LT „RYOBI“ GARANTIJOS TAIKĀMO SĀLYGOS

Be visų įstatymuose numatytų teisių, atsirandančių įsigijus gaminį, ir nepažeidžiant įstatymuose numatytų teisių, kurios taikomos savarankiškai ir nemokamai, visiems mūsų interneto svetainėje išvardytiems naujiems RYOBI prekės ženklui elektriniams įrankiams ir (arba) sudėtingiems, išskyrus įrankių priedus, įrankių taikymo sistemas ir atsparines dalis, kaip toliau aprašyta (toliau – Gaminytas), taikoma „Technonic Industries GmbH“ (toliau – TTI) suteikta savanoriška garantija pagal toliau nurodytas sąlygas (toliau – Garantija).

Garantija taikoma tik pirkeji(-)ems, kuris(-) e gaminius įsigijus kaip galutinį vartotoją (toliau – Vartotojas). Mažmenininkams, nuomos bendrovioms ir profesionaliems galutiniais naudotojais šios bendrosios Garantijos sąlygos aiškiai netaikomos. Profesionalams galutiniais naudotojais tam tikram (-iems) gaminių (-iams) gali būti taikoma kitokio tipo savanoriška garantija, jei tai aiškiai nurodyta svetainėje www.ryobitools.eu. Naudojimasis šia savanoriška Garantija nearnbroja teises akumutu numatytą Vartotojo teisę defektu atveju.

1. Standartinės Garantijos (toliau – Standartinė garantija), jei Gaminytis įsigijtas tik asmeniniam naudojimui, terminas yra 24 mėnesiai (toliau – Standartinės garantijos laikotarpis) ir prasideda gaminio įsigijimo diena. Šis data turi būti patvirtinta sąskaita faktūra arba kiti pirkimo įrodymai, kad Standartinė garantija galioti ir būtų vykdoma. Ši Standartinė garantija taip pat taikoma tik naujam (-iems) Gaminiui (-iams).

2. Tam tikrų šalių vartotojai, užsiregistravę interneto svetainėje www.ryobitools.eu, gali pratęsti Standartinės garantijos galiojimą tinkamiems Gaminiams išgesniam nei Standartinės garantijos laikotarpį. Informacija apie tai, ar Gaminiams gali būti taikoma pratęsta garantija (toliau – Pratęsta garantija), nurodyta ant Gaminio pakuočės, interneto svetainėje www.ryobitools.eu ir (arba) atitinkamose Gamnio dokumentuose adresu <https://www.ryobitools.eu/>. Norėdami pasinaudoti Pratęsta garantija, Vartotojai turi užregistruoti savo Gaminį (-us) internetu per 30 kalendrosinių dienų nuo įsigijimo dienos. Visas Vartotojo asmeninės informacijos būna tvarkoma pagal privatumo pareiškimą, kurį galima rasti šia <https://uk.ryobitools.eu/footer/links/privacy-policy/>. Registracijos patvirtinimo kvitas, kuris išsiunčiamas e. paštu, ir oriģinālā sąskaita faktūra, kurioje nurodyta pirkimo data, yra Pratęstos garantijos įrodymas.

3. Standartinė garantija ir Pratęsta garantija (toliau – Garantijos) apsiroboja sudegusio Gamnio, kurioje yra (-) arba pakeičiamu TTI nuožūra, surūdiję, kad gamybos ar medžiagos defektas buvo pirkimo diena. Negalima reikalauti jokių papildomų išlaidų ar nuostolių. Garantijos taip pat netaikomos:

- bet kokiai žalai, kurią Vartotojas padarė atsitiktinai, tyčia ar dėl nelaisgumo
- bet kokiam žalai, atsiradusiai dėl netinkamo elgesio su Gaminiu ar nepakankamos priežiūros
- jokiai pakeistam ar modifikuotam Gaminiui
- jokiai Gaminiui, kurio oriģinālās identifikavimo ženklai (prekės ženklas, serijos numeris) buvo sugadinti, pakeisti ar pašalinti
- bet kokiai žalai, atsiradusiai dėl to, kad nesilaikoma naujumo instrukcijos
- Gaminiams, kurie nėra paženklināti CE/UKCA ženklu
- jokiai Gaminiui, kurį buvo bandoma remontuoti neįgaliojama techninės priežiūros centre arba be išsankstino TTI įgaliojimu
- jokiai Gaminiui, prįjungtam prie netinkamo maitinimo šaltinio (ampėrų, įtampos, dažnio)
- jokiai Gaminiui, naudojamam su netinkamu degalų mišiniu (degalų, alyvos santykis)
- bet kokiai žalai, atsiradusiai dėl išorinio poveikio (vandens, cheminių medžiagų, fizinių poveikių, smūgių) ar pavojingų medžiagų
- įprastam atsigarinių dalių nusidėvėjimui
- netinkamam naudojimui, gaminio (-ų) perkrovai
- naudojamam nepatvirtintam priedui ar daliai
- elektrinių įrankių priedams, pateikiamiems kartu su įrankiu arba įsigijamiems atskirai. Tokios išimty, įskaitant, bet neapsiribojant, apima atsuktuvų antgalius, gražtus, sifavimo diskus, sifavimo popierių ir ašmenis, šonines krepiamąsias
- komponentams (dalis ir priedams), kurie paprastai susidėvi, įskaitant, bet neapsiribojant, aptarnavimo ir priežiūros rinkinius, anginius šepetukus, guolius, griebtuvus, SDS grąžto priedą arba laikiklį, maitinimo laidą, papildomą rankena, transportavimo dėklus, sifavimo plokštę, dujų maišelį, dujų išmetimo vamzdelį, pūķiu pūvēzes, smūgioveiz virzlarikiu kačiūsus ir spyruokles, smūgioves rankenėles, varžtus, sankabą, gyvatvorių žarnų arba veļveļjuoti pūķius, diržus, kabelio droselei, dantis, pūķibūvimo kačiūsus, pūķiu ventilatorių, pūķiu ir sūksnas varžtus, sūrio maišelius ir diržus, krepiamąsias juostas, pūķių grandines, žarnius, įpurkštus, ratus, purškimo lazdes, vidines rites, išorines rites, juostinio linijos, uždegimo žvakės, oro filtrus, dujų filtrus, muļavimo pūķius ir t. t.

4. Norint gauti garantinį aptarnavimą, Gaminytis (-ai) turi būti išsūtys (-a) arba pateiktas (-) nedelsiant po to, kai atsirado arba buvo pastebėtas gaminio ar medžiagos defektas, įgaliojant RYOBI aptarnavimo partneriui, nurodytam šioje svetainėje <http://www.ryobitools.eu>. Vartotojai gali Garintijoje numatytas paslaugas iš RYOBI aptarnavimo partnerio

- a. kreipdamiesi ir mažmenininkai, kuriame buvo įvykdyta prekė; arba
 - b. užsiregistravę paslaugų platformoje, kurio galima rasti RYOBI komerciariame tinklalapyje <https://www.ryobitools.eu/>; šio proceso priimanamas viaršose šalysse gali skirtis.
- Suñiant Gamini įgaliojant RYOBI aptarnavimo partneriui, Gaminytis turi būti saugiai supakuotas be pavojingo turinio (išsamesnės informacijos rasite saugios instrukcijos svetainėje <http://www.ryobitools.eu/>), pažymėtas sūtišje adresu ir kartu su trumpu defekto aprašymu. Atmintinė, kad kai kuriose šalyse pristatymo mokėsi arba pašto išlaidas turi sumokėti sūtišjas pagal vietos praktiką. Norėdami sužinoti, ar tokie mokėsi mokėsi atskirai, kreipkitės ir vietinį įgaliojantį RYOBI techninės priežiūros centrą.

5. Gavus Gaminytį, kuris Vartotojo teigimu, turi defektų, jis vis patikrintas. Patvirtinus defektą, paslaugos pagal Garantijas bus teikiamos taisant sudegusias gaminių dalis arba keičiant jas nusudegusiomis dalimis TTI nuožūra. Jei TTI atsiskaito sąsūtį defektą, gaminytis TTI nuožūra, remontas nepavyko, bus pateiktas įvairūs pakaitalai. Pakeistas (-ai) arba (jų) dalis (-ys) taps TTI nuosavybe. Bet koks (-) remontas (-ai) ir (arba) pakeiktas (-ai) pagal pirmiau nurodytas Garantijas yra nemokamas (-i). TTI atliktas (-) remontas (-ai) ir (arba) pakeiktas (-ai) nereikia, kad Garantijos pratęsimas arba pradėtomos laikyti iš naujo. Pakeiktoms atsparinėms dalims taikomos iš pradžių suteiktos Garantijos, o Garantijų laikotarpis baigiasi kartu su Gaminiams, kuris iš pradžių buvo suteiktas visam Gaminiui, laikotarpiu.

6. „Technonic Industries GmbH“, Max-Eyth-Str.10, 71364 Winnenden, Vokietija, RYOBI Garantijas suteikia tik Vartotojui, kuris iš pradžių įsigijo Gaminytį, ir jų negalima perduoti ar perleisti.

7. Garantijos galioja Europos ekonominėje erdvėje (EEE), Šveicarijoje ir Jungtinėje Karalystėje. Už šiu teritorijų ribų kreipkitės ir mažmenininkai, kur pirkiny buvo įsigytas, kad sužinotumėte, ar taikoma kita savanoriška garantija.

ĮGALIOJOTASIS TECHINIS PRIEŽIŪROS CENTRAS

Jei turite kokių nors pagaidymų ar problemų, susijusių su šiuo gaminiu, galite kreiptis ir artimiausiu įgaliojotaj techninės priežiūros centre aplankantdami www.ryobitools.eu arba tiesiogiai: Technonic Industries GmbH, Max Eyth Straße 10, 71364 Winnenden, Germany. Nurodykite etiketėje išsaudintą serijos numerį ir gaminio tipą.

ET RYOBI GARANTII KOHALDAMISE TINGIMUSED

Lisaks toote ostust tulenevatele seadusjärgsele õigusele, piiramata sõltumatult ja tasuta kohaldatavaid seadusjärgseid õigusi, kehtib kõikidele meie veebisaidil loetletud uutele RYOBI kaubamärkiga elektri- ja/või aiatööriistadele, välja arvatud tööriistade tarvikutele, tööriistade hooldamiseks süsteemidele ja varuosadele, nagu allpool täpsemalt, (edaspidi „tooted“) vabatahtlik garantii, mille andja on Techtronic Industries GmbH („TTI“) ning mille süsteemid kahvatu esialgu esitatud tingimused („garantii“).

Garantii saavad kasutada üksnes osajad, kes ostavad tooteid lõppkasutajateks tarbijatena („tarbija“). Käesolevate garantii üldtingimuste kohaldamine jäämüüja, renditeidlevõtja ja kutseliste lõppkasutajate suhtes on selgesõnaliselt välistatud. Kutseliste lõppkasutajate puhul võib teatud toodele kehtida teistsugune vabatahtlik garantii, kui seda on veebisaidil www.ryobitools.eu selgesõnaliselt nimetatud. Selle vabatahtliku garantii kasutamine ei piira tarbija seadusjärgseid õigusi seoses puudusega.

1. Standardse garantii („standardne garantii“) kehtivusaeg on 24 kuud („standardne garantiaeg“), tingimusi ja toote ostes ostes isiklikult ostetabel kasutamiseks, ning see aeg algab toote ostmise kuupäevast. Standardne garantii on kehtiv ja kasutatav üksnes tingimusi, et nimetatud kuupäeva on dokumenteeritud arvu või muu osust fendaalv dokumendil. Lisaks kehtib standardne garantii ainult uutele toodetele.

2. Teatud riikides võib klientidel olla võimalik pikendada sobivate toodete standardset garantii ühte standardse garantiaja, kui nad registreeruvad veebisaidil www.ryobitools.eu. Teave toote sobivuse kohta garanti pikendamisest („pikendatud garantii“) on esitatud toote pakendil, veebisaidil www.ryobitools.eu ja/või vastavates tootedokumentides, mis on leitavad aadressil <https://www.ryobitools.eu>. Pikendatud garanti saamiseks peavad tarbijad registreerima toote/rii veebis 30 kalendripäeva jooksul alates ostu kuupäevast. Kõiki tarbija isikandmed töödeldakse kooskõlas privaatsusavaldusega, mis on leitav aadressil <https://ee.ryobitools.eu/ajal/privatsuspoliitika/>. Pikendatud garanti töendusdokumendina kasutatakse e-postiga saadetud registreerimise kinnitusi ja algset arvet, millel on näha ostu kuupäev.

3. Standardse ja pikendatud garanti („garantii“) alusel pakutakse üksnes vigase toote parandamist ja/või asendamist TTI äranägemisel, tingimusi et kooste- või materjaliviga oli olemas juba ostu kuupäeval. Mingi muu kulu või kahju hüvitamist nõhitud ei saa. Lisaks ei kehti garantii järgmise suhtes:

- tarbija poolt juhuslikult, tahkult või hooletusest põhjustatud kahjustus
- toote kahjustus, mis on tingitud valesti käsitsemisest või hooldamata jätmisest
- teisendatud või ümber ehitatud toode
- toode, mille algne identifitseerimismärksus (kaubamärk, seerianumber) on rikitud, muudetud või eemaldatud
- kahjustus, mille on põhjustanud kasutusjuhendi juhiste eiramine
- toode, millel puudub CE/UKCA märks
- toode, mida on üritatud parandada tunnustamata hoolduskeskuses või ilma TTI eelneva loata
- toode, mis on ühendatud sobimatute omadustega (voolutugevus, pinge, saagedus) vooluallikaga
- toode, milles kasutatakse sobimatut küttesegust (kütus, õli, õli osakaal)
- välise mõjute (vesi, kemikaal, füüsiline jõud, löögid) või võrkehade põhjustatud kahju
- varuosade tavapärase kulumine
- toote lubamatu kasutamine või ülekoormamine
- heakskiitmata tarvikute või osade kasutamine
- tööriistaga kaasas olnud või eraldi ostetud tarvikud elektritööriistade. Käesolev välistus hõlmab muu hulgas kruvikeeraja otsaku, puuterisid, abrasiivketivahet, liivapaberit, terasid ja kühkühki
- tavapäraselt kuluvad osad (varuosad ja tarvikud), kaasa arvatud remondi- ja hoolduskomplektid, sinusikharjad, laagrid, padrun, SDS-trelli otsakumitmuis või -pesa, tolejuhe, lisakäepide, kandekohvik, lihvplaat, tolmuokt, tolmü ärajätmise voolik, viitsebide, lõõkruutivõime tihvtid ja vedrud, otsanupud, ajamihindad, sidur, hekimiteerimise või muundukite terad, rakmed, kaabikõõr, hambad, haakekonksu poldid, puhuriventilaatorid, puhuri ja tolmimeeria torud, tolmimeeria kott ja riimad, juhtlaid, saekelid, voolikud, ühendussilmikud, puhustoltsikud, rattad, puhustusvarred, sisemisised rullid, välised poldid, lõikejõhvind, süteküttevõõr, õhufiltrid, gaasifiltrid, müstiterjad.

4. Garantiteeninduse saamiseks tuleb toode pärast kooste- või materjaliviga ilmnenist või avastamist ilma põhjendamatult viivitusega saata või leida mõne aadressil <https://www.ryobitools.eu> loetletud RYOBI tunnusastu hoolduspartneri. Garantiteeninduse RYOBI hoolduspartnerit teenuste saamiseks tarbijad

a. võtavad ühendust jaemüügikohaga, kus ost sooritati, või

b. registreeruvad RYOBI kaubanduslikul veebisaidil <https://www.ryobitools.eu> pakutava teenuseplatvormi kaudu, selle protsessi kasutatavus võib olenevalt riigist erineda.

5. Pärast tarbija väitel vigase toote kätesaamisenist seda kontrollitakse. Kui vae esinemine leiab kinnitust, siis garantiteenuste rames toote vigased osad TTI äranägemisel kas parandatakse või asendatakse teiste osadega. Kui TTI keeldub vae parandamisest või parandamine ole TTI hinnangu kohaselt õmestunud, kasutatakse samaväärset asendust. Asendatud toode või osa muudab TTI äranägemisel. Esespooli teavet garantiteenuste alusel tehtavate parandustöödeasendused on tasuta. TTI tehtud parandustöödeasendused ei loo alust garantiteenindamiseks ega garantiaja arvnestuse uuesti alustamiseks. Asendatud varuosade süsteem kehtivad algselt antud garantii ning nende garantite kehtivusaeg lõpeb kogu tootele algselt antud garantiaja lõppemisega.

6. Ettevõtte Techtronic Industries GmbH (Max-Eyth-Str.10, 71364 Winnenden, Saksamaa) annab RYOBI garantiid ainult toote algselt ostnud tarbijale ning ei ole lubatud võrandamiseks ega loovutamiseks.

7. Garantii kehtivad Euroopa Majanduspiirkonnas (EMP), Šveitsis ja Ühendkuningriigis. Muudes piirkondades palume küsida toote jaemüügikohalt teavet selle kohta, kas kohaldatakse mõnda muud vabatahtlikku garantii.

TUNNUSTATUD HOOLDUSKESKUS

Toolega seotud päringute või probleemide korral pöörduge kohaliku volitatud hoolduskeskuse poole (vt www.ryobitools.eu) või aadressile: Techtronic Industries GmbH, Max Eyth Straße 10, 71364 Winnenden, Germany. Märkige ära sildi ole seerianumber ja toote tüüp.

HR UVJETI ZA PRIMJENU JAMSTVA ROBNE MARKE RYOBI

Osim svih zakonskih prava koja proizlaze iz kupovine proizvoda i ne dovodeći u pitanje zakonska prava koja se primjenjuju neovisno i besplatno, svi su novi alati ili vrtni alati robne marke RYOBI navedeni na našem web-mjestu, ne uključujući dodatke za alat, sustave za skladištenje alata i rezervne dijelove, kao što je i nastavku navedeno („Proizvod“), pokrivni obdobljenim jamstvom koje pruža Techtronic Industries GmbH („TTI“), podložno odobrenjama i uvjetima dobavljenim u nastavku („Jamstvo“). Jamstvo se osti isključivo na kupcu koji pože kupiti proizvode kao krajnji korisnici u ulozi potrošača („Potrošač“). Proavač, tvrtka za iznajmljivanje, kao i profesionalni krajnji korisnici izričito su izostavljeni iz ovih općih odredbi i uvjeta Jamstva. Za profesionalne krajnje korisnike može se primijeniti drugačija vrsta obdobljenog jamstva za određene proizvode ako je ono izričito navedeno na web-mjestu www.ryobitools.eu. Priznavanje ovog dobvoljnog jamstva ne ograničava zakonska prava Potrošača u slučaju oštećenja.

1. Standardno jamstvo („Standardno jamstvo“), ako je Proizvod kupljen isključivo za privatnu upotrebu, ima razdoblje trajanja od 24 mjeseca („Razdoblje standardnog jamstva“) i valjano je od datuma kupovine proizvoda. Taj datum mora biti dokumentiran nakom ili drugim dokazom o kupovini da bi Standardno jamstvo bilo valjano i primjenljivo. Ovo se Standardno jamstvo osti samo na nove Proizvode.

2. Potrošači u određenim državama mogu produljiti svoje Standardno jamstvo za Proizvode koji ispunjavaju uvjete i nakon razdoblja Standardnog jamstva tako da se registriiraju na web-mjestu www.ryobitools.eu. Podobnost Proizvoda za produljeno jamstvo („Produljeno jamstvo“) navedeno je na pakiranju Proizvoda, na web-mjestu www.ryobitools.eu ili je pak do relevantne dokumentacije o Proizvodu na web-mjestu <https://www.ryobitools.eu>. Da bi iskoristili Produljeno jamstvo, Potrošači moraju registrirati svoje Proizvode putem interneta u roku od 30 kalendarskih dana od datuma kupovine. Svi osobni podaci o Potrošaču obdobljavat će se u skladu s izjavom o zaštiti privatnosti, koju je moguće pronaći ovdje: <https://uk.ryobitools.eu/footer/links/privacy-policy/>. Potvrda primnika registracije, koju se šalje putem e-pošte, i originalni račun s datumom kupovine službe kao dokaz Produljenog jamstva.

3. Standardno jamstvo i Produljeno jamstvo („Jamstvo“) ograničena su na popravke ili zamjene neispravnog Proizvoda prema nahođenju tvrtke TTI ako je greška u izradi ili materijalu postojala na datum kupovine. Nije moguće zatražiti dodatne troškove ili naknade. Osim toga, Jamstvo se ne primjenjuje na sljedeće:

- oštećenja koja je slučajno, namjerno ili neoprezno uzrokovao Potrošač
- oštećenja Proizvoda koja su rezultat nepravilnog rukovanja ili nedovoljnog održavanja
- Proizvode koji su mijenjani ili modificirani
- Proizvode čija je izvorna oznaka (zaštitni znak, serijski broj) uništena, promijenjena ili uklonjena
- oštećenja uzrokovana neprimjerenim priručnika s uputama
- Proizvode koji nisu podložni oznakama CE/UKCA
- Proizvode koje je pokušao popraviti neovlašten servisni centar ili bez prethodnog odobrenja tvrtke TTI
- Proizvode koji su povezani s neodgovarajućim izvorom napajanja (amperi, napon, frekvencija)
- Proizvodi s neodgovarajućom smjesom goriva (brzina, ulje, omjer ulja)
- oštećenja uzrokovana vanjskim elementima (voda, kemikalije, fizički uvjeti, udarci) ili stranim tvarima
- normalno trošenje rezervnih dijelova
- neodgovarajuću upotrebu, preopterećenje Proizvoda
- upotrebu neodobrenih dodataka ili dijelova
- dodatke za alat koji su kupljeni s alatim ili zasebno. To obuhvaća, između ostalog, nastavke za odvijanje, nastavke za bušilicu, abrazivne disкове i ploče, brusni papir i oštrice te lateralne vodilice
- komponente (dijelove i dodatke) koje su podložne normalnom trošenju, uključujući, između ostalog, kolone za servisiranje i održavanje, ugljene čepke, ležajve, stalne zavrte, SDS nastavak za svrdlo ili prihvat, kabel, dodatnu ruku, torbu za prenošenje, brusni papir, torbu za zaštitu od prašine, cijevi ispuha, polske od flica, iglice i opruge udarnog kluca, gumba za otpuštanje, pogonske remene, spojke, oštrice trimera za živicu ili kosilica, pusa, samlu gaza, zupce, igle za spojnu vazu, ventilatore pulhica, cijevi za ispuhivanje i usisavanje, vakuumske vrećice i trake, vodilice, lance pile, crijeva, priključne elemente, mlaznice za raspršivanje, kolote, štapove za raspršivanje, unutarnje kolote, vanjske kaleme, fiksavce, svječke, filtre za zrak i gorivo, oštrice za usisavanje i raspršivanje.

4. U slučaju servisiranja u sklopu jamstva Proizvod je potrebno bez odgode odmah nakon pojave ili prepoznavanja oštećenja u izradi ili materijalu poslati ili pokazati ovlaštenom servisnom centru za RYOBI navedenom na sljedećem web-mjestu: <https://www.ryobitools.eu>. Potrošači mogu usluge u sklopu Jamstva ostvariti kod servisnog partnera za RYOBI

a. kontaktiranjem prodavača kod kojeg su kupili proizvod ili

b. registracijom putem servisne platforme dostupne na komercijalnom web-mjestu robne marke RYOBI (<https://www.ryobitools.eu>); dostupnost postupaka može se razlikovati ovisno o državi.

Priklonom službom Proizvoda ovlaštenom servisnom centru za RYOBI, proizvod je potrebno sigurno zapakirati bez štetnih tvrti (za pojednostoj pogledajte sigurnosne upute na web-mjestu <https://www.ryobitools.eu>), označiti adresom pošiljatelja i poslati uz kratak opis oštećenja. Imajte na umu da zbog lokalnih praksi u nekim državama naknadu za dostavu ili poštarinu mora platiti pošiljatelj. Obratite se lokalnom ovlaštenom servisnom centru robne marke RYOBI da biste provjerili odnose ili se takvi troškovi i na vas.

5. Proizvod za koji Potrošač tvrdi da je oštećen po primniku će biti pregledan. U slučaju potvrde oštećenja, uslašt navedene u sklopu Jamstva po nahođenju tvrtke TTI bit će pružene kako bi se oštećeni dijelovi proizvoda popravili ili se zamijenili neispravnim proizvodima. Ako tvrtka TTI odbije popraviti oštećenje ili ako je prena sudu tvrtke TTI popravak bio neispravan, pružit će se istovrjedna zamjena. Zamjenjeni Proizvodi ili dijelovi postaju vlasništvo tvrtke TTI. Svi popravci/zamjene u sklopu Jamstva provode se besplatno. Popravci/zamjene koje provodi TTI ne označavaju produljenje ili novi početak valjanosti Jamstva. Zamjenjeni rezervni dijelovi podložni su prethodno danim Jamstvima, a razdoblje Jamstva iste će zajedno s Jamstvom koje je originalno dano za cijeli proizvod.

6. Jamstva robne marke RYOBI daje tvrtka Techtronic Industries GmbH, Max-Eyth-Str.10, 71364 Winnenden, Njemačka, i to samo Potrošačima koji su izvorno kupili Proizvod. Jamstvo nije moguće prenijeti ili dodijeliti nekom drugome.

7. Jamstva su valjana u Europskom gospodarskom području (EGP-u), Švicarskoj i Ujedinjenoj Kraljevini. Ako se nalazite izvan tih područja, obratite se prodavaču gdje je proizvod kupljen da biste saznali primjenjuje li se neko drugo dobvoljno jamstvo.

OVLAŠTENI SERVISNI CENTAR

Za svaki zahtjev ili problem s proizvodom možete se obratiti vašim ovlaštenim servisnim centrima (posjetite adresu www.ryobitools.eu) ili izravno na: Techtronic Industries GmbH, Max Eyth Straße 10, 71364 Winnenden, Germany. Navedite serijski broj i proizvodno oštisnu na naljepnicu.

SL GARANCIJSKI POGOJI ZA IZDELKE RYOBI

Poleg katerih kol zakonskih pravic, ki izhajajo iz nakupa izdelka in brez poseganja v zakonske pravice, ki veljajo neposredno in brezplačno, velja za vsa nova električna orodja in/ali vrtna orodja znamke RYOBI, ki so navedena na naši spletni strani, razen dodatne opreme za orodja, sistemov za shranjevanje orodij, za nadomestne dele, kot je podrobneje opisano v nadaljevanju ("izdelek"), prostovoljna garancija družbe Technonic Industries GmbH ("TTI") v skladu s spodaj navedenimi pogoji ("garancija").

Garancija velja samo za kupca, ki je izdelek kupil kot končni uporabnik za uporabo v zasebne namene ("potrošnik"). Trgovci, podjetja za izposajo in poklicni uporabniki so izrecno izključeni iz teh splošnih pogojev garancije. Za poklicne uporabnike lahko za nekatere izdelke velja drugačna vrsta prostovoljne garancije, če to izrecno navedemo na spletnem mestu www.ryobitools.eu. Uveljavljanje te prostovoljne garancije ne omejuje zakonskih pravic potrošnika v primeru okvare.

1. Standardna garancija ("standardna garancija") velja 24 mesecev ("standardna garancijska doba") in začne veljati na dan nakupa izdelka, pod pogojem, da je izdelek kupljen samo za zasebno uporabo. Da bi bila standardna garancija veljavna in izvršljiva, mora biti ta datum dokumentiran na računih ali drugih dokazilih o nakupu. Ta standardna garancija velja tudi za nove izdelke.

2. Potrošniki in nekateri država lahko podaljšajo standardno garancijo za nekatere izdelke po obdobju veljavnosti standardne garancije, tako da izdelek registrirajo na spletnem mestu www.ryobitools.eu. Upravičenost izdelkov do podaljšanja garancije ("podaljšana garancija") je navedena na embalaži izdelka, na spletnem mestu www.ryobitools.eu, in/ali je navedena v dokumentaciji ustreznega izdelka na spletnem mestu <https://www.ryobitools.eu>. Za zaključitev podaljšane garancije morajo potrošniki svoje izdelke registrirati prek spleta v 30 kolesarskih dneh od datuma nakupa. Vsi potrošniki osebni podatki bodo obdelani v skladu z izjavo o zasebnosti, ki je na voljo na tem naslovu: <https://uk.ryobitools.eu/footer-links/privacy-policy/>. Za dokaz o podaljšani garanciji služijo potrdilo o registraciji, posnato po elektronski pošti, in originalni račun. Na kakor je naveden datum nakupa.

3. Standardna in podaljšana garancija ("garanciji") sta omejeni na popravilo in/ali zamenjavo pokvarjenega izdelka po presoji družbe TTI, če sta ugotovljena napaka v izdelavi ali materialu ob dnevu nakupa. Dodatnih stroškov ali nadomestila izgub ni mogoče zahtevati. Garancije poleg tega ne veljajo tudi v naslednjih primerih:

- Poškodba, ki jo potrošnik povzroči nenamerno, namerno ali iz malomarnosti
- Kakršna koli poškodba izdelka, ki je posledica nepravilnega ravnanja ali pomanjkljivega vzdrževanja
- Vsak izdelek, ki je bil spremenjen ali predelan
- Vsak izdelek, pri katerem so bile prvotne identifikacijske oznake (blagovna znamka, serijska številka) pokrokovane, spremenjene ali odstranjene
- Kakršne koli poškodbe zaradi neupoštevanja navodil za uporabo
- Izdelki, za katere ne velja oznaka CE/UKCA
- Vse izdelke, ki jih je poskušal popraviti nepooblaščen servisni center, ali če tega predhodno ni odobrila družba TTI
- Kateri koli izdelek, priklopljen na neustrezno električno napajanje (amperi, napetost, frekvenca)
- Kateri koli izdelek, uporabljen z neprimerno sesalnico goriva (gorivo, olje, razmerje olja)
- Kakršne koli poškodbe zaradi zunanjih vplivov (voda, kemikalije, fizični vplivi, šoki) ali tuji
- Normalna obraba nadomestnih delov
- Neustrezna uporaba, preobremenitev izdelkov
- Uporaba neobdane dodatne opreme ali delov
- Dodatna oprema za električno orodje, priložena orodju ali dokupljena ločeno. Take izključitve med drugim vključujejo tudi vijčane nastavke, svedre, brusne plošče, brusni papir in rezila, stransko vodilo
- Sestavni deli (deli in dodatna oprema), podvzrtni normalni obrabi, vključno z, vendar ne omejeno na komplekte za servisiranje in vzdrževanje, krtačke, ležaje, vpenjalo, čeljusti in svedre SDS, napajaliki kabel, pomožni ročaj, transportno torbico, brusno ploščo, vrtačo za prah, izhodno cevo za prah, področje izključevanja, zatčini in vzmeti udarne vijčalnica, udarne gale, pogonski jermeni, sklopka, rezila obrobničev žive meje ali kosilnice, jermeni, plenicca, zobci, priključne kljuke, ventilatorji puhal, cevi, puhal in sesalnike, vrtača sesalnika in trakov, meči, verige žag, cevi, priključki, razpršilne šobe, koleza, razpršilne nožice, notranji kolci, zunanji kolci, rezalne nitje, vzdrževalne svečke, zračni filtri, plinski filtri, koleza za mučenje itd.

4. Za servis v okviru garancije je treba izdelek poslati ali predložiti pooblaščenemu servisnemu partnerju RYOBI, navedenemu na spletni strani <https://www.ryobitools.eu>, brez nepotrebne oddajanja takoj po pojavu ali ugotovitvi napake v izdelavi ali materialu. Potrošniki so v okviru garancije upravičeni do servisnih stroškov servisnih partnerjev podjetja RYOBI na naslednje načine:

- a. tako, da se obnejo na prodajalca, pri katerem je bil opravljen nakup; ali
- b. z registracijo prek servisne platforme, ki je na voljo na spletni strani RYOBI <https://www.ryobitools.eu>. Postopek je odvisen od posamezne države.

Izdelek morate pooblaščenemu servisnemu partnerju podjetja RYOBI poslati varno zapakirane brez nevarne vsebine (podrobnosti si ogledajte v varnostnih navodilih na spletnem mestu <https://www.ryobitools.eu>). Navesti morate tudi svoj naslov in priključiti kratak opis napake. V nekaterih državah mora pošiljatelj v skladu z lokalno prakso plačati stroške dostave ali poštno. O tovrstnih stroških se posvetujte s predstavnikom lokalnega pooblaščenega servisnega centra podjetja RYOBI.

5. Izdelek, za katerega uporabnik trdi, da je pokvarjen, bo po prejemu pregledan. Ko je napaka potrjena, bo v okviru garancije opravljen servisni poseg, pri katerem bodo pokvarjeni deli izdelkov po presoji družbe TTI popravljani ali zamenjani. Če TTI zavrne popravilo napake ali presodi, da popravilo ni bilo uspešno opravljeno, dobavi enakovredne nadomestke. Zamenjati izdelki ali deli postanejo last družbe TTI. Vsa popravilna/dodatna v okviru predhodno navedenih garancijskih pogojev so brezplačna. Zamenjani nadomestki, ki jih opravijo TTI, ne povzročajo podaljšanja ali novega začeta veljavnosti garancije. Zamenjani nadomestki deli so predmet prvotno podanih garancij v okviru garancijske dobe, ki se izteče ob datum, prvotno navedenem za celoten izdelek.

6. Garancije RYOBI družbe Technonic Industries GmbH, Max-Eyth-Str. 10, 71364 Winnenden, Nemčija podjetje samo prvotnemu kupcu izdelka, in jih ni mogoče prenesti na druge ali jim jih dodeliti.

7. Garancije veljajo v evropskem gospodarskem prostoru (ECS), Švic in Združenem kraljestvu. Če ne živite v teh območjih, se obrnite na prodajalca, pri katerem ste izdelek kupili, in se pozanimajte o morebitnih drugih veljavnih prostovoljnih garancijah.

POOBLAŠČENI SERVISNI CENTER

V primeru zahtev ali težav v zvezi z izdelkom se lahko obrnete na lokalne pooblaščenne servisne centre (obširne www.ryobitools.eu) ali neposredno na: Technonic Industries GmbH, Max Eyth Straße 10, 71364 Winnenden, Germany. Prosimo, da navedete serijsko številko in tip izdelka, ki sta natisnjena na oznaki.

SK PODMIENKY UPDATŇOVANIA ZÁRUKY RYOBI

Okrem zakónnych práv vyplývajúcich z nákupu výrobku a bez toho, aby boli dotknuté zákonné práva, ktoré sa uplatňujú nezávisle a bezplatne, na každé nové elektrické náradie značky RYOBI a záhradné náradie uvedené na našej webovej stránke, okrem príslušenstva na náradie, systémov na ukladanie nástrojov a náhradných dielov, ako je ďalej uvedené v časti („Výrobok“), sa vzťahuje dobrovoľná záruka ydná spoločnosťou Technonic Industries GmbH (ďalej len „TTI“) za podmienok uvedených nižšie (ďalej len „záruka“).

Záruka sa vzťahuje len na nákupcov, ktorí nakúpili výrobky ako koncoví užívateľia v ich postavení spotrebiteľa (ďalej len „spotrebiteľ“). Maloobchodníci, požívatelia, ako aj profesionálni koncoví užívateľia sú výslovne vylúčení z týchto všeobecných obchodných podmienok záruky. Pre profesionálnych koncových používateľov sa môže na určité výrobky uplatňovať iný druh dobrovoľnej záruky, ak je výslovne uvedená na internetovej stránke www.ryobitools.eu. Uplatnenie tejto dobrovoľnej záruky neomezjuje zákonné právne nároky spotrebiteľa v prípade chyby.

1. Za predpokladu, že výrobok je zakúpený len na súkromné použitie, má štandardná záruka (ďalej len „štandardná záruka“) trvať 24 mesiacov (ďalej len „štandardná záručná lehota“) a začína plynúť dňom zakúpenia výrobku. Tento dátum musí byť zdokumentovaný faktúrou alebo iným dokladom o kúpe, aby bola štandardná záruka plná a vymáhateľná. Táto štandardná záruka sa vzťahuje len na nové výrobky.

2. Spotrebiteľ v určitých krajinách môže mať po uplynutí obdobia štandardnej záruky možnosť predĺžiť štandardnú záruku na výrobky, ktoré spĺňajú podmienky oprávnenosti, registráciu na webovej stránke www.ryobitools.eu. Oprávnenosť výrobkov na rozšírenú záruku (ďalej len „rozšírená záruka“) je uvedená na obale výrobku, na webovej stránke www.ryobitools.eu alebo v príslušnej dokumentácii k výrobku na stránke <https://www.ryobitools.eu>. Aby spotrebiteľ mohol využiť výhody rozšírenej záruky, sú povinní zaviesť svoje výrobky online do 30 kalendárnych dní od datuma nákupu. Číslo ziskávateľného využitia túto rozšírenú záruku. Všetky osobné údaje spotrebiteľa budú spracované v súlade s vyhlásením o ochrane osobných údajov, ktoré nájdete tu: <https://uk.ryobitools.eu/footer-links/privacy-policy/>. Potvrdenie o registrácii zaslané e-mailom a pôvodná faktúra a dátum nákupu budú slúžiť ako dôkaz o rozšírenej záruke.

3. Štandardná záruka a rozšírená záruka (ďalej len „záruky“) sú obmedzené na opravu alebo výmenu chybného výrobku podľa uváženia spoločnosti TTI za predpokladu, že chyba spracovania alebo materiálu existovala k dátumu nákupu. Žiadne ďalšie náklady alebo straty si nemožno nárokovat. Okrem toho sa záruky nevzťahujú na:

- akékoľvek škody spôsobené náhodou, úmyselné alebo z neobavlivosti zo strany spotrebiteľa
- akékoľvek poškodenie výrobku, ktoré je výsledkom nepravého zaobchádzania alebo nedostatočnej údržby
- výrobok, ktorý bol zmenený alebo upravený
- výrobok, v ktorom boli pôvodné označenia (ochranná známka, sériové číslo) zničené, zmenené alebo odstránené
- akékoľvek poškodenie spôsobené nedodržiavaním návodu na obsluhu
- výrobky, na ktoré sa nevzťahuje označenie CE/UKCA
- výrobok, na ktorom došlo k pokusu o opravu zo strany neautorizovaného servisného strediska alebo bez predchádzajúceho povolenia TTI
- výrobok pripojený k nesprávnejmu zdroju napájania (ampery, napätie, frekvencia)
- výrobok poškodený s nevhodnou palivovou zmesou (palivo, olej, pomer oleja)
- akékoľvek poškodenie spôsobené vonkajšími vplyvmi (voda, chemikálie, fyzikálne, nárazy) alebo cudzími látkami
- bežné opotrebovanie náhradných dielov
- nevhodné použitie, pretlačenie výrobok
- používanie nespraveného príslušenstva alebo dielov
- príslušenstvo elektrického náradia dodávané s náradím alebo zakúpené samostatne. Takéto vylúčenia zahŕňajú aj iné hroty skrutkovačkov, vrtáky, abrazívne kôlče, brusny papier a nože, komponenty bočných
- vodičov systémov (diely a príslušenstvo), ktoré podliehajú normálnemu opotrebovaniu, okrem iného servisné a údržbové supravý, uhľové kefy, ložiská, skľučovadlá, nastavce alebo uchytenia vrtačiek pre vrtačku SDS, nastojacie káble, pomocné držadlá, nepravé kufříky, brusne tanier, vrtačka na prach, trubicu na odsávanie prachu, plstevné podkopy, koly a pružiny rázových uťahovačov, odtáčacie gombíky na pridávanie krvi krvi, hračce termie, spojky, ktoré zvyšujú obrátky a kosačky na trávu, kosačky zväzky, plynové lanká, hroty, ťažné kolíky, ventilátory fúkačov, trubica fúkačov a vysokej rýchlosti, vrtačka a popruhy vysávačov, vodiace tyče, pilové řadice, hadice, spojkové armatúry, rozprašovače trysky, kolešá, rozprašovače tyče, vnútorné valce, vonkajšie cievy, rezacie lišty, zapalovače sviečky, vzduchové filtre, plynové filtry, mulčovače nože, atď.

4. Na účely záručného servisu musia byť výrobky po vzniknutí alebo rozpoznaní chyby spracovania alebo materiálu bez zbytočného odkladu odoslané predložene autorizovanému servisnému partnerovi RYOBI uvedenému na webovej stránke <https://www.ryobitools.eu>. Spotrebiteľia môžu získať záruku v rámci záruk od servisného partnera spoločnosti RYOBI

a. kontaktovaním predajcu, u ktorého bol nákup uskutočnený; alebo

b. registráciou prostredníctvom platformy služieb dostupnej na komerčnej webovej stránke spoločnosti RYOBI <https://www.ryobitools.eu>. Dostupnosť procesu sa môže v jednotlivých krajinách líšiť.

Pri odoslaní výrobku autorizovanému servisnému partnerovi RYOBI musí byť výrobok bezpečne zabalený bez nebezpečného obsahu (podrobnosti nájdete v bezpečnostných podmienkach na webovej stránke <https://www.ryobitools.eu>), označený adresou odosielateľa a doplnený príslušnými opisom chyby. Upozorňujeme, že v niektorých krajinách bude musieť odosielateľ zaplatiť poplatky za doručenie alebo posťovné v súlade s miestnymi zariadenými postupmi. Ak si chcete overiť, či sa taketo poplatky uplatňujú, obráťte sa na miestne autorizované servisné stredisko spoločnosti RYOBI.

5. Keď dostanete výrobok, o ktorom spotrebiteľ tvrdí, že je chybný, skontrolujeme ho. Ak sa chyba potvrdí, budú poskytnuté služby v rámci záruky, a to k opravu chybných dielov výrobkov alebo ich výmenu za bezchybné diely podľa uváženia spoločnosti TTI. Ak spoločnosť TTI odmietne opraviť chybu alebo podľa rozhodnutia spoločnosti TTI oprava zlyhá, bude dodaná rovnocenná náhrada. Vymenené výrobky alebo diely sa stanú majetkom spoločnosti TTI. Všetky opravy alebo výmeny v rámci vyššie uvedených záruk sú bezplatné. Opravy alebo výmeny vykonávané spoločnosťou TTI nepredstavujú rozšírenie alebo nový začiatok záruky. Vymenené náhradné diely podliehajú rovnakému postaveniu zárukám a záručná lehota sa skončí súčasne so záručnou lehotou, ktorá bola pôvodne poskytnutá pre celý výrobok.

6. Záruky RYOBI poskytujú spoločnosť Technonic Industries GmbH, Max Eyth Straße 10, 71364 Winnenden, Nemčeko, iba spotrebiteľovi, ktorý pôvodne zakúpil výrobok a nesmú byť pripísané inému spotrebiteľovi ani na neho prevedené.

7. Záruky sú platné v rámci Európskeho hospodárskeho priestoru (EHP), Švajčiarska a Spojeného kráľovstva. Mimo týchto oblastí môžete kontaktovať predajcu, u ktorého sa uskutočnil nákup, a zistiť, či sa uplatňuje iná dobrovoľná záruka.

AUTORIZOVANÉ SERVISNÉ STREDISKO

Všetky žiadosti alebo problémy s výrobkom možno odoslať miestnym autorizovaným servisným strediskám (navštívte www.ryobitools.eu) alebo priamo na: Technonic Industries GmbH, Max Eyth Straße 10, 71364 Winnenden, Germany. Uveďte sériové číslo a typ výrobku uvedené na etikete.

ВЪ УСЛОВИЯ ЗА ПРИЛАГАНЕ НА ГАРАНЦИЯТА НА RYOBI

В допълнение към всички законови права, произтичащи от покупката на продукта, и без да се засягат законови права, които се прилагат независимо и безплатно, всички наши електронни инструменти и/или градионни инструменти с марката RYOBI, посочени на всяка етикетка, с изключение на аксесоари за инструменти, системи за съхранение на инструменти и резервни части, както е описано по-долу (Продукт), са обхванати от доброволна гаранция, издадена от Technonic Industries GmbH (TTI) при условията, посочени по-долу („Гарантия“).

Гарантията е приложима само за кулури(и), колути(и), завулоти(и) продуктите като краен(и) потребител(и) в качеството си на потребител(и). (Потребител) закупува на добро, безплатно за отдаване под наем, както и професионалните крайни потребители са изрично изключени от тези общи условия на Гаранцията. За професионалните крайни потребители може да е приложим друг вид доброволна гаранция за определени(и) продукт(и), ако това е изрично посочено на веб сайта www.ryobitools.eu. Позоваването на тази доброволна Гаранция не ограничават законовите права на Потребителя в случай на дефект.

1. Стандартната гаранция („Стандартна гаранция“), при условие че Продуктът е закупен само за лична употреба, е със срок от 24 месеца („Стандартен гаранционен период“) и започва да тече от датата на закупуване на продукта. Тази дата трябва да бъде документирана с фактура или друго доказателство за покупка, за да бъде Стандартната гаранция валидна и приложима. Тази Стандартна гаранция се отнася и само за нови(и) Продукт(и).

2. Потребителите в някои държави може да имат възможност да удължат срока на Стандартната гаранция за Продукти, отговарящи на условията, след изтичането на срока на Стандартната гаранция, която се регистрира на веб сайта www.ryobitools.eu. Допустимостта на Продуктите за разширена гаранция („Разширена гаранция“) е посочена на опаковката на Продукта, на веб сайта www.ryobitools.eu или се съдържа в документацията на съответния Продукт на адрес <https://uk.ryobitools.eu/footer-links/privacy-policy/>. Разликата за потвърждение на регистрацията, която се изплаща по имейл, и оригиналната фактура, в която е посочена датата на покупката, ще служат като доказателство за Разширената гаранция.

3. Стандартната гаранция и Разширената гаранция („Гарантии“) са ограничени до ремонт или замена на дефектния Продукт по преценка на ТТИ, при условие че дефектът в изработката или материала е съществувал към датата на покупката. Не могат да се претендират допълнителни разходи или загуби. Освен това Гаранциите не се прилагат за:

- всяка щета, причинена случайно, умислено или по небрежност от Потребителя
- всяка повреда на Продукта, която е резултат от неправилно третиране или липса на поддръжка
- всеки Продукт, който е бил променен или модифициран
- всеки Продукт, чийто оригинални идентификационни маркировки (търговска марка, серийен номер) са били повредени, променени или премазнати
- всякакви щети, причинени от неспазване на ръководството за експлоатация
- Продукти, които не подлежат на маркировка CE/UKCA
- всеки Продукт, за който е бил направен опит да бъде ремонтиран от неоторизиран сервисен център или без предварително разрешение от ТТИ
- всеки Продукт, свързан с неподходящо електрохранение (ампер, напрежение, честота)
- всеки продукт, използван с неподходяща горивна смес (гориво, масло, съотношение на маслото)
- всякакви повреди, причинени от външни въздействия (вода, химикали, физични въздействия, удари) или чужди вещества
- нормално износване на резервни части
- неподходяща употреба, претоварване на Продукта(ите)
- използване на необорбени аксесоари или части
- аксесоари за електронни инструменти, предоставени с инструмента или закупени отделно. Такива изключения включват, но не се ограничават до, найкрайни за винтоверти, средта, абразивни дискове, шурки и остриета, странични направляващи
- компоненти (части и аксесоари), които подлежат на нормално износване, включително, но не само, комплекти за абразивна и поддръжка, въглеродни щетки, лезия, патрони, приставки или приставки за SDS средта, заредени кабел, помощна дръжка, трансферен кубур, шифрована плоча, торба за прах, тръба за отвеждане на прах, филцови шаблони, щифтове и пружини за ударни гайковerti, ударни бутона, задвижващи ремъци, съединители, остриета на харсторети или косачки за трева, колан, кабел за газ, нарязани ножове, щифтове за телги, вентилатори, тръба за издухване и засмукване, торби за засмукване и ремъци, водичи за шини, вериги за триони, маркучи, конекторни фитинги, разпръскащи дюзи, колежа, пръчки, вътрешни макири, външни макири, линии за рязане, запалителни свещи, въздушни филтри, газови фитинги, лопати за мулчиране и осе.

4. За гаранционно обслужване Продукт(ите) трябва да бъде(ят) изпратен(и) или представен(и) без неправомерно забавяне след появата или признаването на дефекта в изработката или материала на отговарящия сервисен партньор на RYOBI, посочен на следния веб сайт <https://www.ryobitools.eu/>. Потребителите могат да бъдат уведомени по Гаранциите от сервисен партньор на RYOBI, като:

- a. се свържат с търговеца на добро, където е направена покупката; или
- b. с регистрация чрез платформата за услуги, достъпна на търговеца във страницата на RYOBI <https://www.ryobitools.eu/>, като достъпността на процеса може да варира в различните държави.

При изпращане на Продукт до отговарящия сервисен партньор на RYOBI Продуктът трябва да бъде безопасно опакован без опасно съдържание (за подробности, моля, вижте инструкциите за безопасност на веб сайта <https://www.ryobitools.eu/>), маркиран с адреса на изпращане и придружен от кратко описание на дефекта. Моля, имайте предвид, че в някои държави таксите за доставка или почтените разходи трябва да бъдат заплащани от изпращача в съответствие с местната практика. Моля, консултирайте се с местния отговарящ сервисен център на RYOBI, за да потвърдите дали се прилагат такива такси.

При получаване на Продукта, за който Потребителът тържи, че е дефектен, той ще бъде проверен. Когато дефектът е потвърден, услугите по Гаранциите ще се предоставят срещу ремонт на дефектните части на продуктите или заменянето им с изпращане части по преценка на ТТИ. Ако ТТИ откаже да отстрани дефекта или ако отстраняването на ТТИ ремонтът е неуспешен, на потребителя ще бъде доставен равностойен продукт за замена. Замененият(и) Продукт(и) или част(и) ще станат(а) собственост на ТТИ. Всичка поправка/замяна съгласно поръчителните Гаранции е безплатна. Ремонтът/замяната, извършена от ТТИ, не представлява удължаване или ново начало на Гаранцията. Заменените резервни части са предмет на първоначално предоставяне от Гаранцията, която срокът на Гаранциите приключва със срока на Гаранцията, която първоначално е била предоставена за цялостния продукт.

6. Гаранциите на RYOBI се предоставят от Technonic Industries GmbH, Max-Eyth-Str.10, 71364 Winnenden, Германия, само на Потребителя, който първоначално е закупил Продукта, и не могат да бъдат прехвърляни или протестирани.

7. Гаранциите са валидни в Европейското икономическо пространство (ЕИП), Швейцария и Обединеното кралство. Извън тези области, моля, свържете се с търговеца на добро, където е направена покупката, за да разберете дали се прилага друга доброволна гаранция.

ОТВОРИАН СЕРВИЗЕН ЦЕНТЪР

Всички заявки или проблеми, свързани с продукта, могат да бъдат отразени към местните изпълномощни сервисни центрове (посетете www.ryobitools.eu) или директно до: Technonic Industries GmbH, Max Eyth Straße 10, 71364 Winnenden, Germany. Посочете серияния номер и типа на продукта, отчетащи валидни етикета.

УК УМОВИ НАДАННЯ ГАРАНТИИ RYOBI

Разом с буд-иными законными правами, которые вы получаете в связи с приобретением товара, и без ограничения законных прав, предусмотренных независимо и бесплатно, на все перечисленные на данном веб-сайте наши электронные инструменты/таблицы/садовые инструменты марки RYOBI, за исключением дополнительных приспособлений, систем сборки инструментов/и запасных частей, как указано ниже («Гарантия»), предоставляется добровольная гарантия, данная компанией Technonic Industries GmbH («TTI»), выданный до выданных ниже условий и положений («Гарантия»).

Гарантия предоставляется лишь на покупку(и), или купленные продукцию в статусе индивидуального користования — словачки («Словачки»). Разрешены товары, проектные компании, а также иные користователи для профессионального использования в явной форме включаются в эти общие условия гарантии. До личного(и) товару(и) для явных користователей для профессионального использования может использоваться иный тип добровольной гарантии, якщо же в явной форме зазначено на вебсайте www.ryobitools.eu. Застосування цієї добровольної гарантії не обмежують закони пра Словачку а за наявності дефекту.

1. За умови, що Товар придбано виключно для індивідуального використання, стандартна гарантія («Стандартна гарантія») має термін дії 24 місяці («Стандартний гарантійний термін») і починається з дати придбання Товару. Щоб Стандартна гарантія набула чинності та мала юридичну силу, ця дата повинна бути підтверджена рахунко-фактурою або іншим документом, що підтверджує факт придбання. Також ця Стандартна гарантія поширюється лише на новий(и) вироб(и).

2. В деяких країнах Словачки можуть мати можливість провадити Стандартну гарантію на відповідні Товари після зазначення терміну дії Стандартної гарантії, задовольствуючись на вебсайте www.ryobitools.eu. Інформація про відповідні Товари розширеної гарантії («Розширена гарантія») вказана на упаковці Товару, на вебсайте www.ryobitools.eu та/або наведена у відповідній документації до Товару за адресою <https://uk.ryobitools.eu/>. Щоб скористатися Розширеною гарантією, Словачки мають зареєструвати свій(свої) Товар(и) онлайн протягом 30 календарних днів з дати покупки. Більше персональні дані Словачки будуть оброблятися відповідно до заяви про конфіденційність, якщо можна знайти за посиланням <https://uk.ryobitools.eu/footer-links/privacy-policy/>. Підтвердження Розширеної гарантії є повідомлення про реєстрацію, надіслане нами електронною поштою, та оригінал рахунку-фактури із зазначеними дати покупки.

3. Стандартна гарантія та Розширена гарантія («Гарантії») обмежуються ремонтом/таблицю заміною дефектного Товару на розсуд компанії ТТИ за умови, що дефект виготовлення або матеріалу існував на дату придбання. Будь-які можливі додаткові витрати або збитки не підлягають відшкодуванню. Також Гарантії не поширюються на:

- будь-яку шкоду, заподіяну Словачком випадково, навмисно або з небрежності
- будь-які пошкодження Товару, що виникли в результаті ненавального поводження або відсутності технічного обслуговування
- будь-який Товар, який був змінений або модифікований
- будь-який Товар, на якому було здійснено, змінено або видалено оригінальне ідентифікаційне маркування (товарознавча марка, серийний номер)
- будь-які пошкодження, спричинені недотриманням інструкцій з експлуатації
- Товари, які не підлядають під дію маркування CE/UKCA
- будь-який Товар, який намагалися відремонтувати в неуповноваженому сервисном центрі або без попереднього узгодження з ТТИ
- будь-який Товар, підключений до невідповідного джерела електроживлення (сила струму, напруга, частота)
- будь-який Товар, який використовувався з невідповідною паливною сумішшю (паливо, олива, співвідношення палива та оливи)
- будь-які пошкодження, спричинені зовнішніми факторами (вода, хімічними речовинами, фізичними силами, механічними ударами) або сторонніми речовинами
- нормальний знос запасних частин
- неправильне використання, перенавантаження Товару(ів)
- використання незатверджених додаткових пристроїв або деталей

– допоміжні пристрої до електронного інструмента, наданого в комплекті з інструментом або придбаного окремо. Такі включення включають, але не обмежують, такім: бити для викруток, свердла, шліфувальні диски, наждачний папір/полотно, бачні напрати.

– комплекти (деталі та допоміжні пристрої), які підлядають нормальному зносу, включачи, але не обмежуючи, такім: комплекти для обслуговування та ремонту, вузькі штилі, підшипники, патрони, кріплення та держки для свердел SDS, шурки живлення, допоміжні руки, транспортні чохли та футляри, шліфувальне полотно, пилові машини, шланги для відводу лигу, повстяні шаблони, штифти та пружини для гайковерти, натиски гросови, првідні ремни, зчеплення, лопати/куцорби або газонокосачки, підвісна система, трасові дротів, зубці, шліф штифти, вентилятори, вентиляторні та вакуумні трубки, вакуумні машини та насоси, напратні шини, липні ланцюжки, шланги, акумулятори для з'ядання, розливувальні форсунки, колеса, пультверизатори, внутрішні кушачи, зовнішні кушачи, річчю волосні, саніти запалювання, повітряні фільтри, паливні фільтри, лопати для мулчування тощо.

4. Для гарантійного обслуговування Товару(и) повинні бути відправлені або передані без неправомерно затримки після виникнення або виявлення дефекту виготовлення або матеріалу уповноваженому сервисному партнеру RYOBI, перелік яких наведено на вебсайте <https://www.ryobitools.eu/>. Словачки можуть отримати передбачені Гаранцією послуги від сервисного партнера RYOBI таким чином:

- a. звернувшись до роздрітного продавця, де була здійснена покупка; або
- b. зареєструвавшись через сервисну платформу, доступну на офіційному вебсайте RYOBI <https://www.ryobitools.eu/>. Доступність такої процедури може відрізнятися в залежності від країни.

При відправленні Товару уповноваженому сервисному партнеру RYOBI він повинен бути надійно упакуваний та не мати небезпечного вмісту (допоміжні види інструментів з техніки безпеки на сайті <https://www.ryobitools.eu/>), з позначеною адресою відправника та стилісним описом дефекту. Звернуть увагу, що в деяких країнах вартість доставки або поштових витрат має бути сплачена відправником відповідно до прийнятої місцевої практики. Щоб дізнатися, чи передбачена така оплата, зверніться до місцевого уповноваженого сервисного центру RYOBI.

5. Товар, про який Словачки заявляв як про дефектний, буде оглянутий після отримання. Якщо дефект буде підтверджено, роздрітний ремонт/таблицю будуть надані шляхом ремонту дефектних частин виробу або заміни їх на дефектні частини на розсуд ТТИ. Якщо ТТИ відмовляється відремонтувати дефект або якщо, на перод дії гарантії, ремонт виявиться невдалим, буде надана рішюча заміна. Заменений(и) Продукт(и) або деталі(и) стануть власністю ТТИ. Будь-який ремонт/замяна відповідно до вищезазначеної гарантії є безплатним. Ремонт(и)/замяна(и), виконаний компанією ТТИ, не продовжують і не поновлюють термін дії Гарантії. На замінені запасні частини поширюється дія перисно наданих Гарантії, а термін дії Гарантії закінчується разом з терміном дії Гарантії, яка була перисно надана на товар в цілому.

6. Гарантії RYOBI надаються компанією Technonic Industries GmbH, Max-Eyth-Str.10, 71364 Winnenden, Germany (Вінненден, Німеччина), тільки Словачкам-члени, який придбав Товар, і не можуть бути передані або пересулені.

7. Гарантії діють в Європейській економічній зоні (ЄЕЗ), Швейцарії та Сполученому Королівстві. Щоб дізнатися, чи це буд-иначе інша добровільна гарантія за межами цих територій, зверніться до продавця, через якого була здійснена покупка.

УПОВНОВАЖЕНИЙ СЕРВИСНИЙ ЦЕНТР

З буд-иными питаннями або проблемами, пов'язаними з продуктом, ви можете звернутися до місцевих авторизованих сервисних центрів (відвідайте www.ryobitools.eu) або напрату до: Technonic Industries GmbH, Max Eyth Straße 10, 71364 Winnenden, Germany. Будь ласка, вказати серийний номер та тип продукту, вказані на етикетці.

TR RYOBI GARANTİ UYGULAMA KOŞULLARI

Bir ürünün satın alınmasından doğan tüm yasal haklara ek olarak, bakımız ve ücretsiz olarak geçerli olan yasal haklara halel getirmeksizin ("Ürün") bölüme ayrılmış bir şekilde anlatıldığı gibi, alet aksesuarları, alet depolama sistemleri ve diğer parçalar hariç olmak üzere ve sekizle istelenebilen tüm yeni RYOBI markalı elektrikli aletler (veya bitt) tarafından verilen güvendiği garanti kapsamındadır.

Garanti, yalnızca son kullanıcılar olarak ürünleri satın alan tüketiciler ("Tüketiciler") için geçerlidir. Bayiler, kiralama şirketleri ve profesyonel son kullanıcılar, Garantinin bu genel hüküm ve koşullarından açıkça hariç tutulmuştur. Profesyonel son kullanıcıların için www.ryobitools.us web sitesinde açıkça belirtilmiş belirli ürünler için farklı bir güvenceli garanti türleri geçerlidir. Bu güvenceli Garantinin ihlali edilmesi, bir anca durumunda tüketicinin yasal haklarını sınırlamaz.

1. Standart Garanti ("Standart Garanti"), ürünün yalnızca özel kullanım için satın alınması koşuluyla, 24 aylık ("Standart Garanti Süresi") bir süreyle sahiptir ve ürünün satın alındığı tarihte başlar. Bu tarih, Standart Garantinin geçerli ve uygulanabilir olduğu bir fiirtura veya başka bir satın alma kanıtı ile belgelenmelidir. Ayrıca bu Standart Garanti yalnızca yeni Ürünler için geçerlidir.

2. Belirli ülkelerdeki tüketiciler, www.ryobitools.us web sitesine kaydolarak uygun Ürünler için Standart Garantiyi, Standart Garanti süresini aşacak şekilde uzatabilirler. Ürünlerin uzatılmış garantisi ("Uzatılmış Garanti") için uygulandığı, Ürünün ambalajı üzerinde ve www.ryobitools.us web sitesinde belirtilen veya <https://www.ryobitools.us> adresinde bulunan ilgili Ürün belgelerinde yer alır. Uzatılmış Garantinin yararlanılabilmesi için Tüketicilerin bu Uzatılmış Garantiden faydalanmak amacıyla satın alma tarihinden itibaren 30 takvim günü içinde Ürünlerini çevrimiçi olarak kaydedmeleri gerekir. Bir Tüketicinin tüm kişisel bilgileri, <https://uk.ryobitools.eu/footer-links/privacy-policy/> adresinde bulunan gizli bildirimine uygun olarak işlenecektir. E-posta ile gönderilen kayıt alımı tedbir ve satın alma tarihini gösteren orijinal fatura, Uzatılmış Garantinin kanıtı olarak kullanılacaktır.

3. Standart Garanti ve Uzatılmış Garanti ("Garantiler"), ürünün satın alındığı tarihte işgüçlü ve tam mazeretle arızasının olması halinde TTIN'nin takdirine bağlı olarak arızalı Ürünün onarılması veya değiştirilmesi ile sınırlıdır. Başka masraflar veya kayıpları ilgili talepte bulunulamaz. Ayrıca Garantiler sunulan için de geçerli değildir:

- Tüketiciler tarafından kazara, kasten veya ihmalkar bir şekilde oluşan hasarlar
- yanlış işlemem veya bakım yapılmamasından kaynaklanan Ürün hasarları
- değiştirilmesi veya modifiye edilmiş Ürünler
- orijinal tanımlama (ticari marka, seri numarası) işaretlerinin tahrip edildiği, değiştirildiği veya piktantlı Ürünler
- talimat kılavuzuna uyulmaması nedeniyle oluşan hasarlar
- CE/UKCA işaretine tabii olmayan Ürünler
- yetkili olmayan bir servis merkezi tarafından veya TTIN'den önceden izin alınmadan onarılmaya çalışılmış Ürünler
- uygun olmayan güç kaynağına (amper, voltaj, frekans) bağlı Ürünler
- uygun olmayan yakıt karışımına (yakıt, yağ, yağ oranı) kullanılan Ürünler
- dış etkilere (su, kimyasal, fiziksel, şoklar) veya yabancı maddelerin neden olduğu hasarlar
- yedek parçaların normal aşınması ve yıpranması
- uygun olmayan kullanımı, Ürünlerin aşırı yüklenmesi
- onaylanmamış aksesuarların veya parçaların kullanılması
- alet ile birlikte verilen veya ayrı olarak satın alınan elektrikli alet aksesuarları. Tomamıza uydur, makete uçları, zımpara diskleri, zımpara kağıdı ve bıçakları, yalıtım kılıfız dahil ancak bunlarla sınırlı olmamak üzere bu tür hariç bırakılan parçalar
- servis ve bakım kilitleri, karbon fırçalar, rulmanlar, torna aynası, SDS matkap uç eleklenti veya alıcısı, güç kablosu, yarıdımı tutamak, taşma çantası, zımpara plakası, toz torbası, toz egzoz borusu, kepe rondelaları, darbeli anahtar pimleri ve yaylar, çikintili düğmeler, tahrik kayışları, debriyaj, çit düzeltilenler için bir biçim makinelemem bıçakları, kusaş askılık, gaz teli, çatal dişler, çeki demiri kilit pimleri, üsteme mekanizma fitanları, üfleme ve vakum makinesi burları, vakum torbası ve keyişler, kılavuz çubukları, testere zincirleri, hortumlar, konektör bağlantıları, püskürtme nozulları, baskılekler, püskürtme çubukları, dahil maketalar, hariç maketalar, kesme telleri, bujiler, hava filtreleri, gaz filtreleri, malzeme bıçakları vb. dahil ancak bunlarla sınırlı olmamak üzere normal aşınma ve yıpranmaya maruz kalan bileşenler (parçalar ve aksesuarlar).

4. Garanti servisi işlemi için, işgüçlü veya mazeretle arızasının meydana gelmesinden veya fark edilmesinden sonra Ürünler, fazla gecikmeksizin web sitesinde istelenebilen yetkili RYOBI servis ortağına gönderilmeli veya sunulmalıdır. <https://www.ryobitools.eu> Tüketiciler, Garantilerin kapsamındaki yurtdışı servisler RYOBI servis ortağından a. satın alma işlemi yapıldığı bayi ile iletişime geçerek veya

b. RYOBI Servislerin web sayfasından (<https://www.ryobitools.us>) bulunan servis platformu aracılığıyla kaydolarak alabilirler; sürecin kullanılabilirliği ülkeden ülkeye değişiklik gösterebilir.

Bir Ürünü yetkili bir RYOBI servis ortağına gönderirken Ürün, gönderinin amacı belirtilerek ve arızaya ilişkin bilgi ve açıklamaları birlikte tehlikeli içerikler (ayrıntılı için lütfen <https://www.ryobitools.us> adresinde) web sitesinde bulunan güvenceli talimatlarına bakın) olmadan güvenli bir şekilde paketlenmelidir. Bazı ülkelerde teslimat veya posta ücretlerini yerli uygulayıcıya göre gönderen tarafından ödemesi gerektiğini lütfen unutmayın. Bu tür ücretlerin uygulanıp uygulanmadığını doğrulamak için lütfen yerli yetkili RYOBI servis merkezine danışın.

5. Tüketiciler tarafından arızalı olduğu iddia edilen Ürün teslim alındıktan sonra incelenmelidir. Arıza onaylandıında, Garantiler kapsamındaki servisler, TTIN'nin takdirine bağlı olarak, ürünün arızalı parçalarının onarılması veya arızalı kısımların değiştirilmesi yoluyla sağlanacaktır. TTİ, arızaları onarmayı reddederse veya TTIN'nin takdirine onamı başlatırsa sayılırsa eğer bir parçaya değdiği sağlanacaktır. Değiştirilen Ürünler veya parçalar TTIN'nin muayenesinde olacaktır. Yukarıdaki Garantiler kapsamındaki yapılan tüm onarım/değişim işlemleri ücretsizdir. TTİ tarafından gerçekleştirilen onarım/değişim işlemleri, Garantilerin süresinin uzatılmasını veya Garantilerin yeni bir başlangıçta teşkil etmez. Değiştirilen yedek parçalar başlangıçta verilen Garantilere tabidir ve Garantilerin süresi, ürünün tamamını için başlangıçta verilen Garanti süresi boyunca sona erer.

6. RYOBI Garantileri: Max-Eyth-Str.10, 71364 Winnenden, Germany adresinde Technort Industries GmbH tarafından yalnızca Ürünü ilk satın alan Tüketicilere verilir ve devredilemez veya atanamaz.

7. Garantiler Avrupa Ekonomik Alanları (AEA), İsviçre ve Birleşik Krallıkta geçerlidir. Bu alanların dışında, başka bir güvenceli garanti geçerli olup olmadığını öğrenmek için lütfen satın alma işleminin yapıldığı bayi ile iletişime geçin.

YETKİLİ SERVİS MERKEZİ

Yetkili her türde talep ve sorun yerli servis merkezlerine (www.ryobitools.us adresini ziyaret edin) veya doğrudan aşağıdaki şekilde ilelebilir: Technort Industries GmbH, Max Eyth Straße 10, 71364 Winnenden, Germany. Lütfen etikette yer alan seri numarasını ve ürün tipini belirtin.

EL ÖROFI EPAPMOΓHΣ EΓΓYHΣHΣ RYOBI

Εκτός από τα νόμιμα δικαιώματα που προκύπτουν από την αγορά ενός προϊόντος και με την επιφύλαξη των νόμιμων δικαιωμάτων που ισχύουν ανεξάρτητα και δωρεάν, όλα τα νέα ηλεκτρικά εργαλεία ή/και εργαλεία κήπου με την επωνυμία RYOBI που περιλαμβάνονται στον ιστότοπό μας, με εξαίρεση τα εξαρτήματα εργαλείων, τα συστήματα αποθήκευσης εργαλείων, και τα ανταλλακτικά, όπως περιγράφονται περαιτέρω στο («πρόσδιο»), καλύπτονται από προαιρετική εγγύησή που έχει εκδοθεί από την Technort Industries GmbH («ΤΤΙ»), σύμφωνα με τους όρους και τις προϋποθέσεις που αναφέρονται παρακάτω (εγγύηση).

Η εγγύηση ισχύει μόνο για τους αγοραστές που αγοράζουν τα προϊόντα ως τελικοί χρήστες υπό την ιδιότητα τους ως καταναλωτές (καταναλωτές). Ο αγοραστής (αγοραστής), οι εταιρείες οικιακής και επαγγελματικής τελικοί χρήστες εξαιρούνται από το παρόν άρθρο γενικώς και ατομικώς. Για τους επαγγελματίες τελικούς χρήστες, μπορεί να υπάρξει διαφορετικό είδος προαιρετικής εγγύησης για ορισμένα προϊόντα, εάν αυτό προβλεπθεί κατά τον ιστότοπο www.ryobitools.us. Η επικάλυψη αυτής της προαιρετικής εγγύησης δεν περιόρισε τα νόμιμα δικαιώματα του καταναλωτή σε περίπτωση ελαττώματος.

1. Η τυπική εγγύηση («Τυπική εγγύηση»), υπό την προϋπόθεση ότι το προϊόν αγοράστηκε αποκλειστικά για ιδιωτική χρήση, έχει διάρκεια 24 μηνών («Τυπική περίοδος εγγύησης») και αρχίζει την ημερομηνία αγοράς του προϊόντος. Αυτή η ημερομηνία πρέπει να τεκμηριωθεί μέσω τιμολογίου ή άλλης αποδείξης αγοράς, προκειμένου η τυπική εγγύηση να είναι έγκυρη και εκτελεστέα. Αυτή η τυπική εγγύηση ισχύει επίσης μόνο για νέα προϊόντα.

2. Οι καταναλωτές σε ορισμένες χώρες ενδέχεται να είναι σε θέση να επεκτείνουν την τυπική εγγύηση για επιπλέον περίοδο πέραν της περιόδου της τυπικής εγγύησης, κίνησης εγγύησης στον ιστότοπο www.ryobitools.us. Η επικάλυψη αυτής της επέκτασης της τυπικής εγγύησης (επεκτεταμένη εγγύηση) καθορίζεται στη συγκεκριμένα είναι προϊόντος, στον ιστότοπο στη διεύθυνση www.ryobitools.us. Η/και περιλαμβάνεται στη σχετική τεκμηρίωση του προϊόντος στον ιστότοπο <https://www.ryobitools.us/>. Για να επαληθευθούν από την εκτεταμένη εγγύηση, οι καταναλωτές πρέπει να εγγραφούν στα προϊόντα τους ηλεκτρονικά εντός 30 ημερολογιακών μηνών από την ημερομηνία αγοράς για να επαληθευθούν από την εν λόγω εκτεταμένη εγγύηση. Όλα τα προσωπικά στοιχεία είναι καταναλωτή θα υποβληθούν σε επεξεργασία σύμφωνα με τη δήλωση απορρήτου, την οποία μπορείτε να βρείτε εδώ <https://uk.ryobitools.eu/footer-links/privacy-policy/>. Η απόδειξη επιβεβαίωσης εγγύησης, η οποία απαιτείται, μπορεί να αποσταλεί μέσω e-mail, και το αρχικό τιμολόγιο που δείχνει την ημερομηνία αγοράς θα χρησιμοποιηθεί ως απόδειξη της επέκτασης εγγύησης.

3. Η τυπική εγγύηση και η επεκταμένη εγγύηση («εγγυήσεις») περιόρισε στην επικοινωνία ή/και αντικατάσταση του ελαττωματικού προϊόντος κατά τη διοικητική ευχέρεια της ΤΤΙ, υπό την προϋπόθεση ότι ο καταναλωτής στην κατοικία ή στο χώρο υπηρεσίας κατά την ημερομηνία αγοράς. Δεν μπορούν να ζητηθούν περαιτέρω δαπάνες ή αμοιβές. Επιπλέον, οι εγγυητές δεν ισχύουν για:

- Οποιοδήποτε ζημία προκύπτει κατά λάθος, εκσεκμηία ή από αμέλεια από τον καταναλωτή
- Οποιοδήποτε ζημία στο προϊόν που οφείλεται σε ακατάλληλη μεταχείριση ή έλλειψη συντήρησης
- Οποιοδήποτε προϊόν έχει αλλοιωθεί ή τροποποιηθεί
- Οποιοδήποτε προϊόν στο οποίο οι αρχικοί σημαντικές αναγραφές (εμπορικό σήμα, αριθμός σειράς) έχουν αλλοιωθεί, τροποποιηθεί ή αφαιρεθεί
- Οποιοδήποτε προϊόν προκύπτει από μηήρη χρήση, χειρισμό οδηγών
- Προϊόντα που δεν υπόκεινται σε επίσημο CE/UKCA
- Οποιοδήποτε προϊόν που έχει επηρεαστεί να επισκευαστεί από μη εξουσιοδοτημένο κέντρο σέρβις ή χωρίς προηγούμενη έγκριση από την ΤΤΙ
- Οποιοδήποτε προϊόν συνδέεται σε ακατάλληλη παροχή ρεύματος (αμπερ, τάση, συχνότητα)
- Οποιοδήποτε προϊόν που χρησιμοποιήθηκε με ακατάλληλο μείγμα καυσίμων (καύσιμο, λάδι, αναμικτή λάδιου)
- Οποιοδήποτε προϊόν ζημιά προκύπτει από εξωτερικούς παράγοντες (κρούση, χτυπήματα, μηχανική δύναμη, τρανταχτήλα ή ένενος ουσίες
- Φυσιολογική φθορά και σκίσιμο ανταλλακτικών
- Ακατάλληλη χρήση, υπερφόρτωση των προϊόντων
- Χρήση μη εγκριμένων ανταλλακτικών ή εξαρτημάτων
- Εξαρτήματα ηλεκτρικών εργαλείων που διατίθενται με το εργαλείο ή πωλούνται χωριστά. Υπόλειος εξαρτήματα περιλαμβάνονται, μεταξύ άλλων, μύτες καταρράδων, τρυπάνια, βελόνες λείανσης, γυαλιστερό καμπί και λείπες, ηλεκτρικό οδηγό
- Εξαρτήματα (ανταλλακτικά και εξαρτήματα) τα οποία υπόκεινται σε φυσιολογική φθορά, που περιλαμβάνονται, μεταξύ άλλων, και συστήματα και στήριξη, φίλτρες αέρα, ρουλεμάν, πασok, προσαρμοστή ή υποδοχή τροματισμού SDS, κλώβους πρόσδεσης, βελόνες βελόνες, βελόνες βελόνες, πλάκα λείανσης, σάο αναρροφήσης σκόνης, σωλήνα εξόρυξης σκόνης, γυαλιστερό πέτσας και ελατήρια κλειδών σφαιρικής κομπίμα χυττήματος, μέσων μετάδοσης κίνησης, συμπλέκτη, λείπες για μηχανοσυρόμπα ή μασοκροτή, ερσοκίνη, καλώδιο γκαζόλι, έλκτες, πέτσες σύνδεσης, αναμνηστή, μέσων ψυψωπια και αναρροφήτρια, ερσοκίνη κενού και μέσων, ραβδός οδηγής, αλυσίδες προνιού, εκκωκισμός σωλήνες, εξαρτήματα συστήματος, ακροφύσια ψεκασμού, τροχός, ραβδός ψεκασμού, εσωτερικοί τροχός, εξωτερικοί τροχός, γραμμές κοπής, μπουζί, φίλτρα αέρα, φίλτρα σέρβις, λείπες κοπής γροθιολιπάσματος κ.λπ.

4. Για την παροχή υπηρεσιών εγγύησης, τα προϊόντα πρέπει να αποστέλλονται ή να παρουσιάζονται χωρίς οδικοαποστολή καθυστερήσει μετά την εμφάνιση ή την αναγνώριση του ελαττώματος στην κατοικία ή στο χώρο ή στον εξουσιοδοτημένο συνεργητή RYOBI που αναφέρεται στον παρακάτω ιστότοπο <https://www.ryobitools.us>. Οι καταναλωτές μπορούν να λάβουν την εγγύηση στο πλαίσιο των εγγυήσεων από ένα συνεργητή σέρβις της ΤΤΙ με τους όρους:

- a. επικοινωνία με το κατάστημα λιανικής πώλησης από όπου πραγματοποιήθηκε η αγορά ή
 - b. εγγραφή μέσω της πληροφορίας υπηρεσιών που είναι διαθέσιμη στην εμπορική ιστοσελίδα RYOBI <https://www.ryobitools.us/>. Η διαδικασία αυτή τη διαδικασίας ενδέχεται να διαφέρει από χώρα σε χώρα.
- Κατά την αποστολή ενός προϊόντος σε έναν εξουσιοδοτημένο συνεργητή σέρβις ΤΤΙ, το προϊόν θα συσκευαστεί με ασφαλή για επικίνδυνα περιεχόμενα (για λεπτομέρειες, ανατρέξτε στις οδηγίες ασφαλείας στον ιστότοπο <https://www.ryobitools.us/>), θα επιστημονήσει με τη διεύθυνση του αποστολέα και θα συνοδεύεται από σύντομη περιγραφή του ελαττώματος. Λάβετε υπόψη ότι σε ορισμένες χώρες η έρδο αποστολής ή το ταχυδρομικό τέλη θα πρέπει να καταβάλλονται από τον αποστολέα σύμφωνα με την τοπική πρακτική. Συμμεριλευτείτε το τοπικό εξουσιοδοτημένο κέντρο σέρβις RYOBI για να επιβεβαιώσετε εάν ισχύουν αυτές οι χρεώσεις.

5. Αφού παραλάβετε το προϊόν που ο καταναλωτής ισχυρίζεται ότι είναι ελαττωματικό, θα το ελέγξετε. Μετά την επιβεβαίωση του ελαττώματος, οι υπηρεσίες στο πλαίσιο των εγγυήσεων θα παρέχονται με την επισκευή των ελαττωματικών μερών των προϊόντων ή με την αντικατάστασή τους από μη ελαττωματικά εξαρτήματα κατά τη διοικητική ευχέρεια της ΤΤΙ. Εάν η ΤΤΙ αρνηθεί να επιφορτώσει το ελάττωμα ή εάν, κατά τη διοικητική ευχέρεια της ΤΤΙ, η επισκευή αποτύχει, θα παραρρηθεί ισόδημο ανταλλακτικό. Τα προϊόντα ή τα εξαρτήματα που αντικαταστήθηκαν θα περιέχουν στην ιδιοκτησία της ΤΤΙ. Οποιοδήποτε επισκευή/αντικατάσταση στο πλαίσιο των παραπάνω εγγυήσεων παρέχεται δωρεάν. Οι επισκευές/αντικαταστάσεις που πραγματοποιούνται από την ΤΤΙ δεν αποτελούν επίσκεψη ή εκ νέου έναρξη των εγγυήσεων. Τα ανταλλακτικά που αντικαταστήθηκαν καλύπτονται από τις εγγυήσεις που είναι αρχικά δοθεί και η περίοδος εγγύησης ήλγει με την περίοδο εγγύησης που είχε αρχικά δοθεί για ολόκληρο το προϊόν.

6. Οι εγγυήσεις RYOBI παρέχονται από την Technort Industries GmbH, Max-Eyth-Str.10, 71364 Winnenden, Γερμανία, μόνο στον καταναλωτή που αγοράσε αρχικά το προϊόν και δεν επιτρέπεται να μεταβιβαστεί ή να εκχωρηθεί.

7. Οι εγγυήσεις ισχύουν για τον Ευρωπαϊκό Οικονομικό Χώρο (ΕΟΧ), την Ελλάδα και το Ηνωμένο Βασίλειο. Εκτός των περιόριτων αυτών, επικοινωνήστε με το κατάστημα λιανικής όπου πραγματοποιήθηκε η αγορά για να μβείτε αν ισχύει κάποια άλλη προαιρετική εγγύηση.

ΕΞΟΥΣΙΟΔΟΤΗΜΕΝΟ ΚΕΝΤΡΟ ΣΕΡΒΙΣ

Για οποιοδήποτε αίτημα ή πρόβλημα με το προϊόν μπορείτε να απευθυνθείτε στα τοπικά εξουσιοδοτημένα κέντρα σέρβις (επισκευή) στη διεύθυνση www.ryobitools.us ή απευθείας στη διεύθυνση: Technort Industries GmbH, Max Eyth Straße 10, 71364 Winnenden, Germany. Ανατρέξτε τον εναρκτικό κώδικα και τον τύπο προϊόντος που αναγράφονται στην επικέτα.



EN EC DECLARATION OF CONFORMITY

Cordless blower

Brand: RYOBI | Manufacturer¹ | Model number² | Serial number range³

We declare as the manufacturer under our sole responsibility that the product mentioned below fulfills all the relevant provisions of the following European Directives, European Regulations and harmonised standards⁴

Measured sound power level..... 94.4 dB(A)
Guaranteed sound power level..... 96 dB(A)
Conformity assessment method to Annex V Directive 2000/14/EC amended by 2005/88/EC.

Authorised to compile the technical file:⁵

FR DÉCLARATION CE DE CONFORMITÉ

Souffleur sans fil

Marque: RYOBI | Fabricant¹ | Numéro de modèle² | Étendue des numéros de série³

Nous déclarons sous notre entière responsabilité que le produit mentionné ci-dessous remplit toutes les dispositions pertinentes des directives et réglementations européennes suivantes, ainsi que des normes harmonisées ci-après⁴

Niveau de puissance sonore mesuré..... 94.4 dB(A)
Niveau de puissance sonore garanti..... 96 dB(A)
Méthode d'évaluation de conformité de l'annexe V Directive 2000/14/EC modifiée 2005/88/EC.

Autorisé à rédiger le dossier technique:⁵

DE EG-KONFORMITÄTSERKLÄRUNG

Akku-Laubgebläse

Marke: RYOBI | Hersteller¹ | Modellnummer² | Seriennummernbereich³

Wir erklären in alleiniger Verantwortung, dass das nachstehend erwähnte Produkt allen einschlägigen Bestimmungen der folgenden EU-Richtlinien, EU-Vorschriften und harmonisierten Normen entspricht⁴

Gemessener Schalleistungspegel..... 94.4 dB(A)
Garantierter Schalleistungspegel..... 96 dB(A)
Konformitätsbeurteilungsmethode zu Anhang V Richtlinie 2000/14/EC wie durch 2005/88/EC.

Autorisiert die technische Datei zu erstellen:⁵

ES DECLARACIÓN CE DE CONFORMIDAD

Soplador inalámbrico

Marca: RYOBI | Fabricante¹ | Número de modelo² | Intervalo del número de serie³

Declaramos, bajo nuestra exclusiva responsabilidad, que el producto mencionado a continuación cumple con todas las disposiciones relevantes de las siguientes directivas, normas armonizadas y reglamentos europeos⁴

Nivel de potencia acústica medido..... 94.4 dB(A)
Nivel de potencia acústica garantizado..... 96 dB(A)
Método de evaluación de conformidad con el anexo V Directiva 2000/14/EC modificada por la 2005/88/EC.

Autorizado para elaborar la ficha técnica:⁵

IT DICHIARAZIONE CE DI CONFORMITÀ

Soffiatore senza fili

Marca: RYOBI | Ditta produttrice¹ | Numero modello² | Gamma numero seriale³

Dichiariamo sotto la nostra unica responsabilità che il prodotto descritto in basso soddisfa tutte le disposizioni delle direttive europee e che sono state osservate le norme seguenti⁴

Livello di potenza acustica misurato..... 94.4 dB(A)
Livello di potenza sonora garantita..... 96 dB(A)
Metodo di valutazione sulla conformità all'allegato V Direttiva 2000/14/EC modificata con la 2005/88/EC.

Autorizzato per compilare il file tecnico:⁵

NL EG-VERKLARING VAN OVEREENSTEMMING

Snoerloze bladblazer

Merk: RYOBI | Fabrikant¹ | Modelnummer² | Seriennummerserie³

Wij verklaren naar onze eigen verantwoordelijkheid, dat het hieronder genoemde product voldoet aan alle relevante bepalingen van de volgende Europese richtlijnen, Europese verordeningen en geharmoniseerde normen⁴

Gemeten geluidsniveau..... 94.4 dB(A)
Gegarandeerd geluidsniveau..... 96 dB(A)
Evaluatiemethode conformiteit volgens bijlage V Richtlijn 2000/14/EC gewijzigd door 2005/88/EC.

Afgevaardigde voor het samenstellen van de technische fiche:⁵

PT DECLARAÇÃO CE DE CONFORMIDADE

Soprador sem fios

Marca: RYOBI | Fabricante¹ | Número do modelo² | Intervalo do número de série³

Declaramos sob nossa exclusiva responsabilidade que o produto mencionado abaixo cumpre todas as disposições aplicáveis das seguintes diretivas, regulamentos e normas harmonizadas da União Europeia⁴

Nível de potência sonora medido..... 94.4 dB(A)
Nível de potência sonora garantido..... 96 dB(A)
Método de avaliação de conformidade para o anexo V Directiva 2000/14/EC alterada por 2005/88/EC.

Autorizado para compilar o ficheiro técnico:⁵

DA EF-OVERENSSTEMMELSEERKLÆRING

Ledningsfri blæser

Brand: RYOBI | Product¹ | Modelnummer² | Seriennummerområde³

Vi erklærer under eget ansvar, at produktet nævnt nedenfor opfylder alle de relevante forskrifter i de følgende europæiske direktiver, europæiske forordninger og harmoniserede standarder⁴

Målt støjniveau..... 94.4 dB(A)
Garanteret støjniveau..... 96 dB(A)
Overensstemmelsesvurderingsmetode til bilag V Direktiv 2000/14/EC ændret ved 2005/88/EC.

Bemyndiget til at udarbejde det tekniske kartotek:⁵

SV EG-FÖRSÄKRAN ÖVERENSSTÄMMELSE

Sladdlös blåsmaskin

Märke: RYOBI | Tillverkare¹ | Modellnummer² | Seriennummerintervall³

Vi förklarar under eget ansvar att den produkt som nämns nedan uppfyller alla relevanta forskrifter i de följande europeiska direktiv, europeiska förordningar och harmoniserade standarder⁴

Uppmått ljudeffektsnivå..... 94.4 dB(A)
Garanterad ljudeffektsnivå..... 96 dB(A)
Konformitetsbedömning gjord enligt metod 1 i Direktiv 2000/14/EC samt tilläggen i 2005/88/EC.

Godkänd att sammanställa den tekniska filen:⁵

FI EY-VAATIMUSTENMUKAISUUSVAKUUTUS

Langaton lighthouse

Tuotemerkki: RYOBI | Valmistaja¹ | Mallinnumero² | Sarjanumerovalti³

Vakuutamme alla mainitut tuotteen olevan seuraavien eurooppalaisten direktiivien, asetusten ja yhdenmukaistettujen standardien säännösten mukainen⁴

Mittattu äänenteho..... 94.4 dB(A)
Taattu äänenteho..... 96 dB(A)
Säännösten noudattaminen tarkastettu direktiivin 2000/14/EC liitteen V mukaisesti muunnettu direktiivillä 2005/88/EC.

Valluutettu kokoaaman tekninen tiedosto:⁵

NO CE-SAMSVARERKLÆRING

Batteridrevet blæser

Merke: RYOBI | Produzent¹ | Modellnummer² | Seriennummerserie³

Vi erklærer på eget ansvar at produktet beskrevet nedenfor opfylder alle de relevante bestemmelser i de europeiske direktiver, europeiske forskrifter og harmoniserte standarder⁴

Målt lyd effekt nivå..... 94.4 dB(A)
Garantert lyd effekt nivå..... 96 dB(A)
Metode for vurdering av konformitet til Tillegg V i Direktiv 2000/14/EC endret ved 2005/88/EC.

Autorisert til å sette sammen den tekniske filen:⁵

RU ДЕКЛАРАЦИЯ О СООТВЕТСТВИИ СТАНДАРТАМ ЕС

Беспроводная воздуходувка

Марка: RYOBI | Изготовитель¹ | Номер модели² | Диапазон заводских номеров³

Со всей ответственностью заявляем, что нижеупомянутое изделие отвечает всем соответствующим положениям следующих европейских директив, европейских регламентов, а также гармонизированных стандартов⁴

Измеренный уровень звуковой мощности..... 94.4 dB(A)
Гарантируемый уровень звуковой мощности..... 96 dB(A)
Способ оценки соответствия, приложение V к директиве 2000/14/EC с изменениями 2005/88/EC.

Лицо, ответственное за подготовку технической документации:⁵

PL DEKLARACJA ZGODNOŚCI WE

Dmuchała bezprzewodowa

Marka: RYOBI | Producent¹ | Numer modelu² | Zakres numerów seryjnych³

Oświadczamy na własną odpowiedzialność, że produkt opisany w sekcji „Specyfikacja” spełnia wszystkie istotne postanowienia wymienionych poniżej wytykry UE, przepisów europejskich oraz norm zharmonizowanych⁴

Zmierzony poziom mocy akustycznej..... 94.4 dB(A)
Gwarantowany poziom mocy akustycznej..... 96 dB(A)
Metoda oceny zgodności zgodnie z aneksem V Wytykrywa 2000/14/EC zmieniona przez dyrektywę 2005/88/EC.

Osoba upoważniona do sporządzenia dokumentu technicznego:⁵

CS CE PROHLÁŠENÍ O SHODĚ

Akumulátorový fúkar

Značka: RYOBI | Výrobce¹ | Číslo modelu² | Rozsah sériových čísel³

Výhradně na vlastní odpovědnost prohlašujeme, že níže uvedené výrobek splňuje všechna příslušná ustanovení evropských směrnic, evropských nařízení a harmonizovaných norem⁴

Změřená hladina akustického výkonu..... 94.4 dB(A)
Zaručená hladina akustického výkonu..... 96 dB(A)
Soulad s metodou určování por přílohu V směrnice 2000/14/EC upravená 2005/88/EC.

Pověřeni ke kompilaci technického souboru:⁵

HU EK-MEGFELELŐSÉGI NYILATKOZATA

Akkumulátoros lombfűvágó

Márka: RYOBI | Gyártó¹ | Tipusszám² | Sorozatszám tartomány³
Kizárólagos felelősségünk keretében nyilatkozunk, hogy az alább említett termék megfelel a következő európai irányelvek, szabályozások és harmonizált szabványok vonatkozó rendelkezéseinek⁴

Mért hangteljesítményszint 94,4 dB(A)
Garantált hangteljesítményszint 96 dB(A)
A megfelelőségi értékelési eljárás a 2000/14/EC irányelv V. függeléké szerint történt által módosított 2005/88/EC irányelv.

A műszaki dokumentáció összeállítására felhatalmazott:⁵

RO DECLARAȚIE DE CONFORMITATE CE

Sufiantă fără fir

Marcă: RYOBI | Producător¹ | Număr serie² | Gamă număr serie³
Declarăm pe proprie răspundebilitate că produsul menționat mai jos îndeplinește toate prevederile relevante ale directivelor Uniunii Europene, ale Regulamentelor UE și standardelor armonizate⁴

Nivelul măsurat al puterii acustice 94,4 dB(A)
Nivelul garantat al puterii acustice 96 dB(A)
Metoda de evaluare a conformității cu Anexa V Directiva 2000/14/EC modificată prin 2005/88/EC.

Autorizat să completeze fișa tehnică:⁵

LV EK ATBILSTĪBAS DEKLARĀCIJA

Akkumulatorturpūtētājs

Zīmols: RYOBI | Ražotājs¹ | Modeļa numurs² | Sērijas numura intervāls³
Ar pilnu atbildību mēs deklarējam, ka tālāk norādītais produkts izpilda visas atbilstošās norādīto Eiropas direktīvu, Eiropas regulu un harmonizēto standartu prasības⁴
Izmērītās skaņas jaudas līmenis 94,4 dB(A)
Garantētais skaņas intensitātes līmenis 96 dB(A)
Atbilstības novērtēšanas metode pielikumam V Direktīvai 2000/14/EC labota 2005/88/EC.

Pilnvarots sastādīt tehnisko failu:⁵

LT EB ATITIKTIES DEKLARACIJA

Akkumuliatorinis pūstuvys

Prekės ženklas: RYOBI | Gamintojas¹ | Modelio numeris² | Serijinio numerio diapazonas³
Mes atsakingai pareiškiame, kad toliau minimas gaminytis atitinka nurodytus Europos direktyvas, Europos reglamentas ir darniuosius standartus⁴
Išmatuotas akustinis lygis 94,4 dB(A)
Garantuotas akustinis lygis 96 dB(A)
Atitikties įvertinimo metodas pagal direktyvos 2000/14/EC, V Priedą su pataisomis 2005/88/EC.

Ilgiaiotas sudaryti techninį failą:⁵

ET EÜ VASTAVUSDEKLARATSIOON

Juhtmeta puhur

Märk: RYOBI | Tootja¹ | Mudeli number² | Seerianumbri vahemik³
Kinnitame etta ainuavustustelise, et alpooli nimetatud toode vastab järgmistele Euroopa direktiividele, Euroopa määrustele ja õhustatud standardite kõigile asjaomastele sätetele⁴
Möödetud helivõimsuse tase 94,4 dB(A)
Garantitud helivõimsuse tase 96 dB(A)
Vastavushindamine vastavalt lisale V direktiivis 2000/14/EC muudetud direktiiviga 2005/88/EC.

Tehnilise faili koostamiseks volitatud isik:⁵

HR IZJAVA O SUKLADNOSTI

Akkumulatorska puhalica

Marka: RYOBI | Proizvođač¹ | Broj modela² | Raspon serijskog broja³
Pod punom odgovornošću izjavljujemo da proizvod naveden u nastavku zadovoljava sve relevantne odredbe slijedećih evropskih direktiva, evropskih uredbi i usklađenih normi⁴
Izmerjena razina zvučne snage 94,4 dB(A)
Jamčena razina zvučne snage 96 dB(A)
Metoda procjene usklađenosti prema Dodatku V Direktive 2000/14/EC navedeno u 2005/88/EC.

Ovlašten da sastavi tehničku datoteku:⁵

SL ES-IZJAVA O SKLADNOSTI

Brezžični puhalnik

Znamka: RYOBI | Proizvajalec¹ | Številka modela² | Razpon serijskih števil³
Pod izključno lastno odgovornostjo izjavljamo, da spodaj navedeni izdelek izpolnjuje vse ustrezne predpise naslednjih evropskih direktiv, evropskih uredb in harmoniziranih standardov⁴
Izmerjena raven zvočne moči 94,4 dB(A)
Zajamčena raven zvočne moči 96 dB(A)
Način ugotavljanja skladnosti z aneksom V direktive 2000/14/EC ki je bila spremenjena z 2005/88/EC.

Pooblaščen oseba za sestavo tehnične dokumentacije:⁵

SK ES VYHLÁSENIE O ZHODE

Akkumulátorový fúkač

Značka: RYOBI | Výrobca¹ | Číslo modelu² | Rozsah sériových čísel³
Na vlastnú zodpovednosť vyhlasujeme, že doľu uvedený výrobok vyhovuje príslušným ustanoveniam nasledujúcich európskych smerníc, európskych nariadení a harmonizovaných noriem⁴
Nameraná úroveň hluku 94,4 dB(A)
Garantovaná úroveň hluku 96 dB(A)
Spôsob určenia zhody podľa Dodatku V Smernica 2000/14/EC doplnená o 2005/88/EC. Oprávnená osoba na zostavenie technického súboru:⁵

BG CE - ДЕКЛАРАЦИЯ ЗА СЪОТВЕТСТВИЕ

Безжичен уред за обдухване

Марка: RYOBI | Производител¹ | Номер на модела² | Обхват на серийни номера³
Декларираме на своя лична отговорност, че продуктът, посочен по-долу, отговаря на всички съответни разпоредби на директивите и регламентите на Европейския съюз и хармонизираните стандарти по-долу⁴
Измерено ниво на шум 94,4 dB(A)
Гарантирано ниво на шум 96 dB(A)
Метод за оценяване на съответствието с приложение V Директива 2000/14/EC, изменена от 2005/88/EC.

Упълномощено лице за съставяне на техническия файл:⁵

UK СЕРТИФИКАТ ВІДПОВІДНОСТІ ВИМОГАМ ЄС

Бездротова повітрядувка

Марка: RYOBI | Виробник¹ | Номер моделі² | Діапазон серійного номеру³
Ми відповідально заявляємо, що описаний нижче пристрій відповідає всім чинним положенням директив ЄС, Європейських норм та гармонізованих стандартів⁴
Вимірний рівень звукової потужності 94,4 dB(A)
Гарантований рівень звукової потужності 96 dB(A)
Метод оцінки відповідності Annex V Directive 2000/14/EC з поправками, внесеними 2005/88/EC.

Дозвіл на складання технічного файлу:⁵

TR CE UYGUNLUK BEYANI

Kablosuz yaprak üfleme makinesi

Marka: RYOBI | Üretici¹ | Model numarası² | Seri numaraları aralığı³
Tüm sorumluluğu bize ait olmak üzere, aşağıdaki belirtilen ürünün aşağıdaki Avrupa Direktifleri, Avrupa Mevzuatı ve uyumlaştırılmış standartların ilgili hükümlerini yerine getirdiğini beyan ederiz⁴
Ölçülen ses gücü seviyesi 94,4 dB(A)
Güvenceli ses gücü seviyesi 96 dB(A)
2005/88/AT ile değiştirilen 2000/14/AT Direktifi Ek V uyarınca uygunkluk deęerlendirmesi yöntemi.

Teknik dosyası derlemekte yetkili sorumlu:⁵

EL ΔΗΛΩΣΗ ΣΥΜΜΟΡΦΩΣΗΣ EK

Φοιτητής μπαταρίας

Μάρκα: RYOBI | Κατασκευαστής¹ | Αριθμός μοντέλου² | Εύρος σειριακών αριθμών³
Δηλώνουμε, με την ιδιότητα του κατασκευαστή και με αποκλειστικά δική μας ευθύνη, ότι το παρακάτω αναφερόμενο προϊόν πληρεί όλες τις σχετικές διατάξεις των ακόλουθων Ευρωπαϊκών Οδηγιών, Ευρωπαϊκών Κανονισμών και αναρμονισμένων προτύπων.⁴
Μετρούμενη επίπεδη ισχύς ήχου 94,4 dB(A)
Εγγυημένη επίπεδη ισχύς ήχου 96 dB(A)
Μέθοδος αξιολόγησης της συμμόρφωσης προς το Παράρτημα V Οδηγίας 2000/14/ΕΚ όπως τροποποιήθηκε από την 2005/88/ΕΚ.

Εξουσιοδοτημένο άτομο για σύνταξη τεχνικού αρχείου:⁵

¹ Techtronic Industries GmbH
Max-Eyth-Straße 10, 71364 Winnenden, Germany

³ 50407201000001 - 50407201999999

⁴ 2006/42/EC, 2014/30/EU, 2000/14/EC, 2005/88/EC, 2011/65/EU, EN 60335-1:2012+A11:2014+A13:2017+A14:2019+A15:2021, EN 50636-2:100:2014, EN IEC 55014-1:2021, EN IEC 55014-2:2021, EN IEC 63000:2018

Todd Chipner
Senior Vice President, Quality – Asia
Winnenden, Feb. 29, 2024

⁵ Techtronic Industries GmbH
Max-Eyth-Straße 10, 71364 Winnenden, Germany

GB-DECLARATION OF CONFORMITY

Manufacturer: Techtronic Industries GmbH
Max-Eyth-Straße 10, 71364 Winnenden, Germany

We declare as the manufacturer under our sole responsibility that the product mentioned below

Cordless blower
Brand: RYOBI
Model number: RY36BLB
Serial number range: 50407201000001 - 50407201999999

fulfills all the relevant provisions of the following Regulations: S.I. 2008/1597 (as amended), S.I. 2016/1091 (as amended), S.I. 2012/3032 (as amended), S.I. 2001/1701 (as amended) and that the following designated standards have been used:

BS EN 60335-1:2012+A15:2021, BS EN 50636-2-100:2014,
BS EN IEC 55014-1:2021, BS EN IEC 55014-2:2021,
BS EN IEC 63000:2018, BS EN ISO 12100:2010

Measured sound power level: 94,4 dB(A)
Guaranteed sound power level: 96 dB(A)
Conformity assessment method to S.I. 2001/1701 Schedule 8 (as amended)



Todd Chipner
Senior Vice President, Quality – Asia
Winnenden, Feb. 29, 2024

Authorised to compile the technical file:
Techtronic Industries (UK) Ltd
Parkway
Marlow Bucks SL7 1YL
UK

EN RYOBI is a trade mark of Ryobi Limited, and is used under license.
FR RYOBI est une marque déposée de Ryobi Limited, et est utilisée sous licence.
DE RYOBI ist ein Markenzeichen von Ryobi Limited und wird in Lizenz verwendet.
ES RYOBI es una marca registrada de Ryobi Limited, y se utiliza bajo licencia.
IT L'utilizzo del marchio registrato RYOBI è legato alla licenza concessa da Ryobi Limited.
NL RYOBI is een handelsmerk van Ryobi Limited en wordt onder licentie gebruikt.
PT RYOBI é uma marca comercial de Ryobi Limited, e é utilizada sob licença.
DA RYOBI er et varemærke tilhørende Ryobi Limited og bruges under licens.
SV RYOBI är en del av varumärke Ryobi Limited och dess användning är licensierad.
FI RYOBI on Ryobi Limitedin omistama tavaramerkki, ja sitä käytetään lisenssin puitteissa.
NO RYOBI er et varemerke for Ryobi Limited, og brukes under lisens.
RU RYOBI является товарным знаком компании Ryobi Limited, используемым по лицензии.
PL RYOBI to znak towarowy firmy Ryobi Limited i jest używany zgodnie z udzieloną licencją.
CS RYOBI je ochranná známka společnosti Ryobi Limited a její používání podléhá licenci.
HU A RYOBI a Ryobi Limited védjegye, használatá licenc keretében történik.
RO RYOBI este o marcă comercială a firmei Ryobi Limited și este utilizată sub licență.
LV RYOBI ir Ryobi Limited preču zīme un tiek izmantota saskaņā ar licenci.
LT „RYOBI” yra „Ryobi Limited” prekės ženklas, naudojamas pagal licenciją.
ET RYOBI on ettevõtte Ryobi Limited kaubamärk, mida kasutatakse litsentsi alusel.
HR RYOBI je žig tvrtke Ryobi Limited i koristi se po licenci.
SL RYOBI je blagovna znamka družbe Ryobi Limited in se uporablja na podlagi dovoljenja.
SK RYOBI je ochranná známka spoločnosti Ryobi Limited a používa sa na základe licencie.
BG RYOBI е търговска марка на Ryobi Limited и се използва под лиценз.
UK RYOBI є товарним знаком Ryobi Limited, і використовується за ліцензією.
TR RYOBI, Ryobi Limited şirketine ait olup, lisans altında kullanılan bir ticari markadır.
EL Το RYOBI αποτελεί εμπορικό σήμα της Ryobi Limited και χρησιμοποιείται μετά από χορήγηση άδειας.



Techtronic Industries GmbH
Max-Eyth-Straße 10,
71364 Winnenden, Germany

Techtronic Industries (UK) Ltd
Parkway
Marlow Bucks SL7 1YL
UK

961087665-01