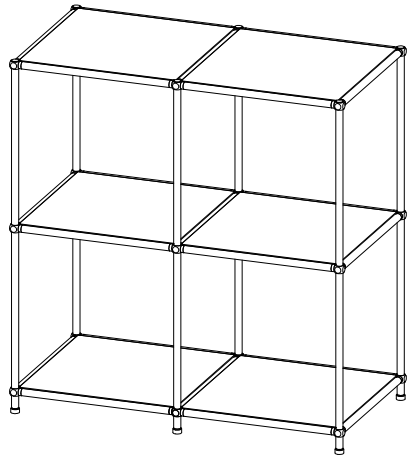
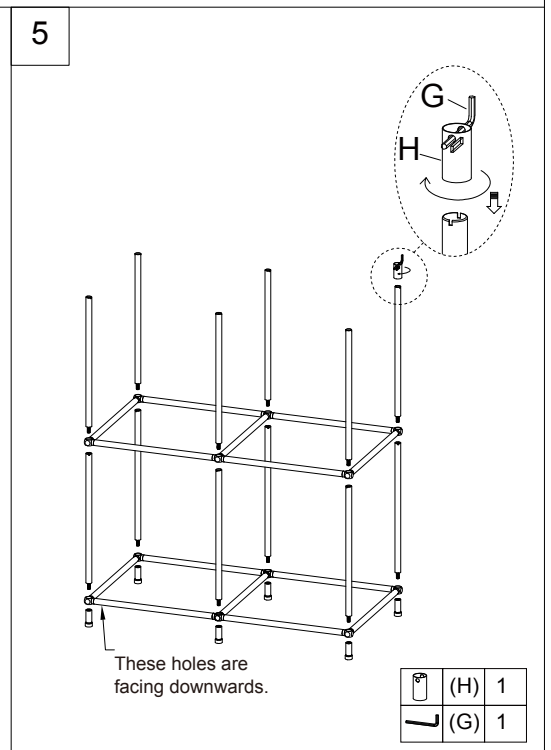
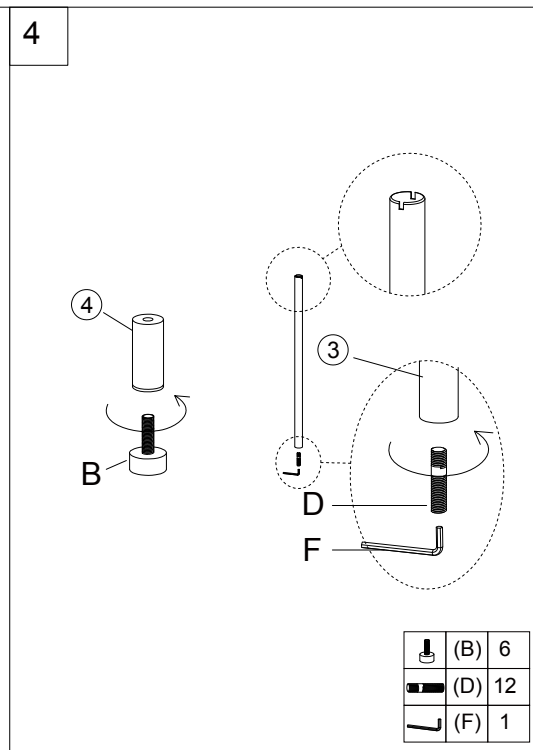
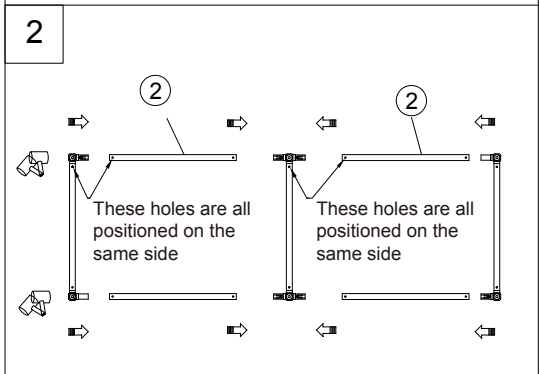
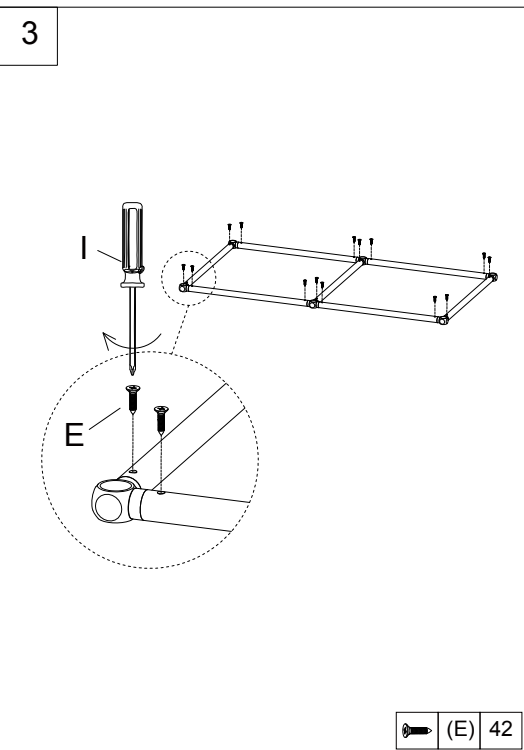
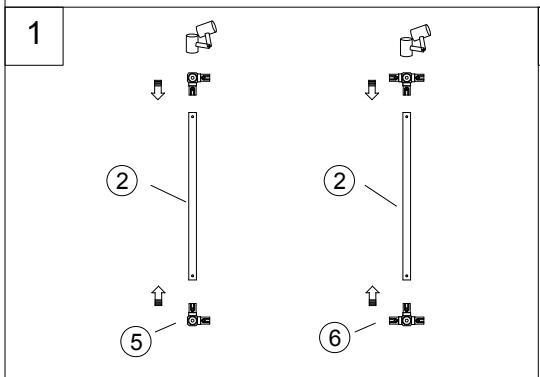


Concept Epure MK-027



PART	PICTURE	QTY	PART	PICTURE	QTY	PART	PICTURE	QTY	PART	PICTURE	QTY
①		6	⑥		6	(E)	$\phi 3 \times 12$	42	(J)		2
②		21	(A)		6	(F)	(M3)	1	(K)		4
③		12	(B)		6	(G)	(M4)	1	(L)	$\phi 4 \times 30$	4
④		6	(C)	M6*15	6	(H)		1	(M)		2
⑤		12	(D)	M6*27	12	(I)		1			



6

	(C)	6
	(G)	1

7

	(A)	6
--	-----	---

8

install panels ①x 6 by pressing them firmly into the frame. Tip: press one corner of the panel into place first, then continue along the remaining corners.

9

Adjust the feet (B) as need.

levelling

10

Anchoring advice: ensure the appropriate mounting screws and method are used based on the specific wall type.

	(J)	2
--	-----	---

11

12

	(K)	4
--	-----	---

13

	(L)	4
--	-----	---

14

	(M)	2
--	-----	---