

ASSEMBLY INSTRUCTIONS

A. Backrest x 1

B. Seat x 1

C. Armrests x 2

D. Salver x 1

E. Gaslift x 1

F. Base x 1

G. Wheels x 5

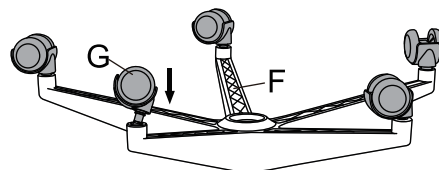
H. Screws x 4 (M6 x 20)

I. Screws x 10 (M6 x 35)

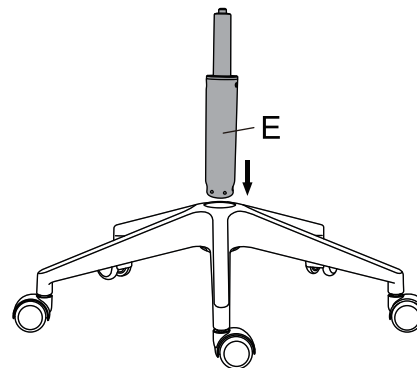
J. Flat washers x 14 (M6 x 14)

K. Lock washers x 4 M6

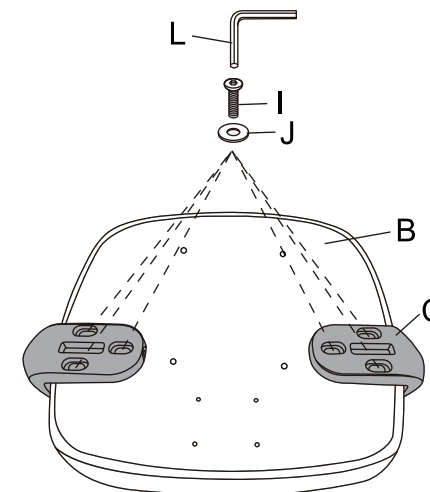
L. Hex key x 1



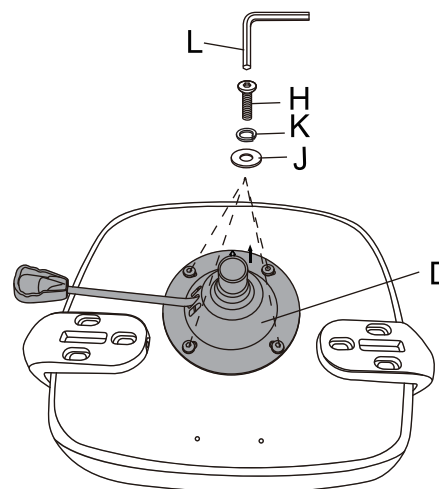
1



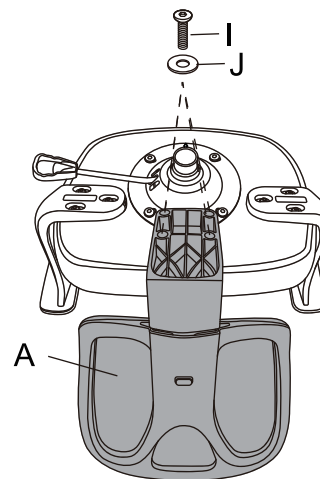
2



3



4



5



6

Remark: First fix screws lightly by hand and at the end of the assembly fasten the screws firmly with tools.