

RYOBI®



EN
FR
DE
ES
IT
NL
PT
DA
SV
FI
NO
RU
PL
CS
HU
RO
LV
LT
ET
HR
SL
SK
BG
UK
TR
EL

RY36HT60A



- Important!** It is essential that you read the instructions in this manual before assembling, operating, and maintaining the product.
- Attention!** Il est essentiel que vous lisiez les instructions contenues dans ce manuel avant d'assembler, d'entretenir et d'utiliser le produit.
- Achtung!** Es ist wichtig, dass Sie vor Zusammenbau, Wartung und Benutzung des Produktes die Anweisungen in dieser Anleitung lesen.
- ¡Atención!** Resulta fundamental que lea este manual de instrucciones antes de realizar el montaje, el mantenimiento y de utilizar este producto.
- Attenzione!** E' importante leggere le istruzioni contenute nel presente manuale prima di montare il prodotto, svolgere le operazioni di manutenzione sullo stesso e metterlo in funzione.
- Let op!** Het is van essentieel belang dat u de instructies in deze gebruiksaanwijzing leest voor u het product monteert, onderhoudt en gebruikt.
- Atenção!** É fundamental que leia as instruções deste manual antes da montagem, manutenção e operação do aparelho.
- OBS!** Det er vigtigt, at man læser instrukserne i denne brugsanvisning, inden man samler, vedligeholder og betjener produktet.
- Observera!** Det är viktigt att du läser instruktionerna i manualen före montering, användning och underhåll av produkten.
- Huomio!** On tärkeää, että luet tämän käsikirjan ohjeet ennen tuotteen kokoamista, huoltoa ja käyttöä.
- Advarsel!** Det er viktig at du leser instruksjonene i denne manualen før sammensetning, vedlikehold og bruk av produktet.
- Внимание!** Необходимо прочитать инструкции в данном руководстве перед сборкой, обслуживанием и эксплуатацией этого изделия.
- Uwaga!** Koniecznie należy przeczytać instrukcje zawarte w tym podręczniku przed montażem, obsługą oraz konserwacją produktu.
- Důležité upozornění!** Neinstalujte, neprovádějte údržbu ani nepoužívejte tento výrobek dříve, než si přečtete pokyny uvedené v tomto návodu.
- Figyelem!** Fontos, hogy a termék összeszerelése, karbantartása és használatá előtt elolvassa a kézikönyvben található utasításokat.
- Atenție!** Este esențial să citiți instrucțiunile din acest manual înainte de asamblare, efectuarea întreținerii și operarea produsului.
- Uzmanību!** Ir svarīgi izlasīt šīs rokasgrāmatas instrukcijas pirms uzstādīšanas, apkopes un preces darbināšanas.
- Děmesio!** Prieš surenkant, prižiūrint ir naudojam gaminį, būtina perskaityti šiame vadove pateiktus nurodymus.
- Tähtis!** Enne masina kokkupanekut, hooldamist ja kasutam hakkamist tuleb käesolevas juhendis esitatud juhised kindlasti läbi lugeda.
- Upozorenje!** Vrlo je važno da ste prije sklapanja, održavanja i rada s ovim proizvodom pročitali upute u ovom priručniku.
- Pomembno!** Pomembno je da pred montažo vzdrževanjem in uporabo tega izdelka preberete navodila v tem priročniku.
- Upzornenie!** Je dôležité, aby ste si pred montážou, údržbou a obsluhou produktu prečítali pokyny v tomto návode.
- Важно!** Исключительно важно е да прочетете инструкциите в настоящото ръководство, преди да преминете към сглобяване, поддръжка или работа с продукта.
- Важливо!** Дуже важливо, щоб ви прочитали інструкції в цьому керівництві перед складанням, обслуговуванням та експлуатацією цієї машини.
- Önemli!** Ürünü monte etmeden, kullanmadan ve bakımını yapmadan önce bu kılavuzdaki talimatları okumanız önemlidir.
- Προσοχή!** Είναι πολύ σημαντικό να διαβάσετε τις οδηγίες στο παρόν εγχειρίδιο πριν συναρμολογήσετε, συντηρήσετε ή λειτουργήσετε το προϊόν.

Subject to technical modification | Sous réserve de modifications techniques | Technische Änderungen vorbehalten | Bajo reserva de modificaciones técnicas | Con riserva di eventuali modifiche tecniche | Technische wijzigingen voorbehouden | Com reserva de modificações técnicas | Med forbehold for tekniske ændringer | Med förbehåll för tekniska ändringar | Tekniset muutokset varataan | Med forbehold om tekniske endringer | могут быть внесены технические изменения | Z zastrzeżeniem modyfikacji technicznych | Změny technických údajů vyhrazeny | A műszaki módosítás jogát fenntartjuk | Sub rezerva modificațiilor tehnice | Paturam tiesības mainīt tehniskos raksturlielumus | Pasilieikant teisę daryti techninius pakeitimus | Tehnilised muudatused võimalikud | Подлежно tehničkim promjenama | Tehnične spremembe dopuščene | Právo na technické zmeny je vyhradené | Подлежи на технически модификации | Є об'єктом для технічних змін | Teknik değışikliğe tabidir | τεχνικών τροποποιήσεων

EN ORIGINAL INSTRUCTIONS

Safety, performance, and dependability have been given top priority in the design of your cordless hedge trimmer.

INTENDED USE

The cordless hedge trimmer is intended to cut and trim hedges, shrubs, and similar vegetation.

The product is designed for home or domestic use. The product is intended only for outdoor use in dry and well-illuminated conditions. The product is not intended for cutting hedges, shrubs, and similar vegetation with diameters greater than its cutting capacity.

Do not use the product for any other purpose.

GENERAL PRODUCT SAFETY WARNINGS

⚠ WARNING! Read all safety warnings, instructions, illustrations and specifications provided with this power tool. Failure to follow all instructions listed below may result in electric shock, fire and/or serious injury.

Save all warnings and instructions for future reference.

The term "power tool" in the warnings refers to your mains-operated (corded) product or battery-operated (cordless) product.

WORK AREA SAFETY

- **Keep work area clean and well lit.** Cluttered or dark areas invite accidents.
- **Do not operate power tools in explosive atmospheres, such as in the presence of flammable liquids, gases or dust.** Power tools create sparks which may ignite the dust or fumes.
- **Keep children and bystanders away while operating a power tool.** Distractions can cause you to lose control.

ELECTRICAL SAFETY

- **Power tool plugs must match the outlet. Never modify the plug in any way. Do not use any adapter plugs with earthed (grounded) power tools.** Unmodified plugs and matching outlets will reduce risk of electric shock.
- **Avoid body contact with earthed or grounded surfaces, such as pipes, radiators, ranges and refrigerators.** There is an increased risk of electric shock if your body is earthed or grounded.
- **Do not expose power tools to rain or wet conditions.** Water entering a power tool will increase the risk of electric shock.
- **Do not abuse the cord. Never use the cord for carrying, pulling or unplugging the power tool.** Keep cord away from heat, oil, sharp edges or moving parts. Damaged or entangled cords increase the risk of electric shock.
- **When operating a power tool outdoors, use an extension cord suitable for outdoor use.** Use of a cord suitable for outdoor use reduces the risk of electric shock.
- **If operating a power tool in a damp location is unavoidable, use a residual current device (RCD) protected supply.** Use of an RCD reduces the risk of electric shock.

PERSONAL SAFETY

- **Stay alert, watch what you are doing and use common sense when operating a power tool. Do not use a power tool while you are tired or under the influence of drugs, alcohol or medication.** A moment of inattention while operating power tools may result in serious personal injury.
 - **Use personal protective equipment. Always wear eye protection.** Protective equipment such as a dust mask, non-skid safety shoes, hard hat or hearing protection used for appropriate conditions will reduce personal injuries.
 - **Prevent unintentional starting. Ensure the switch is in the off-position before connecting to power source and/or battery pack, picking up or carrying the tool.** Carrying power tools with your finger on the switch or energising power tools that have the switch on invites accidents.
 - **Remove any adjusting key or wrench before turning the power tool on.** A wrench or a key left attached to a rotating part of the power tool may result in personal injury.
 - **Do not overreach. Keep proper footing and balance at all times.** This enables better control of the power tool in unexpected situations.
 - **Dress properly. Do not wear loose clothing or jewellery. Keep your hair and clothing away from moving parts.** Loose clothes, jewellery or long hair can be caught in moving parts.
 - **If devices are provided for the connection of dust extraction and collection facilities, ensure these are connected and properly used.** Use of dust collection can reduce dust-related hazards.
 - **Do not let familiarity gained from frequent use of tools allow you to become complacent and ignore tool safety principles.** A careless action can cause severe injury within a fraction of a second.
- POWER TOOL USE AND CARE**
- **Do not force the power tool. Use the correct power tool for your application.** The correct power tool will do the job better and safer at the rate for which it was designed.
 - **Do not use the power tool if the switch does not turn it on and off.** Any power tool that cannot be controlled with the switch is dangerous and must be repaired.
 - **Disconnect the plug from the power source and/or remove the battery pack, if detachable, from the power tool before making any adjustments, changing accessories, or storing power tools.** Such preventive safety measures reduce the risk of starting the power tool accidentally.
 - **Store idle power tools out of the reach of children and do not allow persons unfamiliar with the power tool or these instructions to operate the power tool.** Power tools are dangerous in the hands of untrained users.

- **Maintain power tools and accessories. Check for misalignment or binding of moving parts, breakage of parts and any other condition that may affect the power tool's operation. If damaged, have the power tool repaired before use.** Many accidents are caused by poorly maintained power tools.
- **Keep cutting tools sharp and clean.** Properly maintained cutting tools with sharp cutting edges are less likely to bind and are easier to control.
- **Use the power tool, accessories and tool bits etc. in accordance with these instructions, taking into account the working conditions and the work to be performed.** Use of the power tool for operations different from those intended could result in a hazardous situation.
- **Keep handles and grasping surfaces dry, clean and free from oil and grease.** Slippery handles and grasping surfaces do not allow for safe handling and control of the tool in unexpected situations.

BATTERY TOOL USE AND CARE

- **Recharge only with the charger specified by the manufacturer.** A charger that is suitable for one type of battery pack may create a risk of fire when used with another battery pack.
- **Use power tools only with specifically designated battery packs.** Use of any other battery packs may create a risk of injury and fire.
- **When battery pack is not in use, keep it away from other metal objects, like paper clips, coins, keys, nails, screws or other small metal objects, that can make a connection from one terminal to another.** Shorting the battery terminals together may cause burns or a fire.
- **Under abusive conditions, liquid may be ejected from the battery; avoid contact. If contact accidentally occurs, flush with water. If liquid contacts eyes, additionally seek medical help.** Liquid ejected from the battery may cause irritation or burns.
- **Do not use a battery pack or tool that is damaged or modified.** Damaged or modified batteries may exhibit unpredictable behaviour resulting in fire, explosion or risk of injury.
- **Do not expose a battery pack or tool to fire or excessive temperature.** Exposure to fire or temperature above 130 °C may cause explosion.
- **Follow all charging instructions and do not charge the battery pack or tool outside the temperature range specified in the instructions.** Charging improperly or at temperatures outside the specified range may damage the battery and increase the risk of fire.

SERVICE

- **Have your power tool serviced by a qualified repair person using only identical replacement parts.** This will ensure that the safety of the power tool is maintained.

- **Never service damaged battery packs.** Service of battery packs should only be performed by the manufacturer or authorized service providers.

CORDLESS HEDGE TRIMMER SAFETY WARNINGS

- Do not use the hedge trimmer in bad weather conditions, especially when there is a risk of lightning. This decreases the risk of being struck by lightning.
- Keep all power cords and cables away from cutting area. Power cords or cables may be hidden in hedges or bushes and can be accidentally cut by the blade.
- Wear ear protection. Adequate protective equipment will reduce the risk of hearing loss.
- Hold the hedge trimmer by insulated gripping surfaces only, because the blade may contact hidden wiring. Blades contacting a "live" wire may make exposed metal parts of the hedge trimmer "live" and could give the operator an electric shock.
- Keep all parts of the body away from the blade. Do not remove cut material or hold material to be cut when blades are moving. Blades continue to move after the switch is turned off. A moment of inattention while operating the hedge trimmer may result in serious personal injury.
- When clearing jammed material or servicing the hedge trimmer, make sure all power switches are off and the battery pack is removed or disconnected. Unexpected actuation of the hedge trimmer while clearing jammed material or servicing may result in serious personal injury.
- Carry the hedge trimmer by the handle with the blade stopped and taking care not to operate any power switch. Proper carrying of the hedge trimmer will decrease the risk of inadvertent starting and resultant personal injury from the blades.
- When transporting or storing the hedge trimmer, always use the blade cover. Proper handling of the hedge trimmer will decrease the risk of personal injury from the blades.

ADDITIONAL SAFETY WARNINGS

- Do not attempt to cut stems or twigs that are larger than the cutting capacity indicated in the specifications table or that are obviously too large to feed into the cutting blade. Use a non-powered hand saw or pruning saw to trim large stems.
- While operating the product, always hold it firmly with both hands by the two handles.
- Inspect the product before each use. Check for the correct operation of all controls. Check for loose fasteners, etc. Make sure that all guards and handles are properly and securely attached. Replace any damaged parts before use. Check for battery pack leaks.
- Check the hedges and bushes for foreign objects, such as wire fences and hidden wiring.

- The product must be used only at ground level and not on a ladder or any other unstable support.
- Do not operate the product in poor lighting. Use the product only in daylight or with good artificial light. The operator requires a clear view of the work area to identify potential hazards.
- The use of hearing protection reduces the ability to hear warnings (shouts or alarms). Pay particular attention to potential hazards around and inside the working area. Do not get distracted and always concentrate on the task.
- To reduce the risk of injury associated with contacting moving parts, always power off the product and remove the battery pack. Allow both to cool down. Make sure that all moving parts have come to a complete stop:
 - before adjusting the working position of the cutting means
 - before servicing
 - before clearing a blockage
 - before checking, cleaning, or working on the product
 - before changing accessories
 - before leaving the product unattended
 - before checking for damage after striking a foreign object
 - before performing maintenance
 - whenever the product starts to vibrate abnormally

- Do not force the product through heavy shrubbery. This can cause the blades to bind and slow down. If the blades slow down, reduce the pace.
- If the product is dropped, suffers heavy impact, or begins to vibrate abnormally, immediately power off the product and inspect it for damage or identify the cause of the vibration. Any part that is damaged should be properly repaired or replaced by an authorised service centre.
- Operate the product only in temperatures between 0 °C and 40 °C.
- Store the product in a location where the ambient temperature is between 0 °C and 40 °C.
- Injuries may be caused, or aggravated, by prolonged use of the product. When using the product for prolonged periods, ensure to take regular breaks.

ADDITIONAL BATTERY SAFETY WARNINGS

- To reduce the risk of fire, personal injury, and product damage due to a short circuit, never immerse the product, battery pack, or charger in fluid or allow fluid to flow inside them. Corrosive or conductive fluids, such as seawater, certain industrial chemicals, and bleach or bleach-containing products, etc., can cause a short circuit.
- Charge the battery pack in a location where the ambient temperature is between 10 °C and 38 °C.
- Store the battery pack in a location where the ambient temperature is between 0 °C and 20 °C.

- Use the battery pack in a location where the ambient temperature is between 0 °C and 40 °C.

TRANSPORTATION AND STORAGE

- Power off the product, and remove the battery pack. Make sure that all moving parts have come to a complete stop. Allow the product and the battery pack to cool down before storing or transporting.
- Remove all foreign materials from the product. Do not store or transport the product with the battery pack fitted. Remove the battery pack, and secure it separately. Store the product in a cool, dry, and well-ventilated place that is inaccessible to children. Keep the product away from corrosive agents, such as garden chemicals and de-icing salts. Do not store the product outdoors.
- Fit the blade cover before storing the product or during transportation.
- When transporting the product in a vehicle, secure it against movement or falling to prevent injury to persons or damage to the product.

TRANSPORTING LITHIUM BATTERIES

- Transport the battery pack in accordance with local and national provisions and regulations.
- Follow all special requirements on packaging and labelling when transporting batteries by a third party. Ensure that no batteries can come in contact with other batteries or conductive materials while in transport by protecting exposed connectors with insulating, non-conductive caps or tape. Do not transport batteries that are cracked or leaking. Check with the forwarding company for further advice.

MAINTENANCE

- Use only original manufacturer's replacement parts, accessories, and attachments. Failure to do so can cause possible injury, can contribute to poor performance, and may void your warranty.
- Servicing requires extreme care and knowledge and should be performed only by a qualified service technician. Have the product serviced by an authorised service centre only.
- The blades are extremely sharp. To prevent personal injury, exercise extreme caution when cleaning, lubricating, fitting, or removing the blade cover.
- Power off the product, and remove the battery pack. Allow both to cool down. Make sure that all moving parts have come to a complete stop before any cleaning or maintenance task.
- You may make adjustments and repairs that are described in this manual. For other repairs, have the product serviced by an authorised service centre only.
- After each use, clean the body and handles of the product with a soft, dry cloth. Any part that is damaged should be properly repaired or replaced by an authorised service centre.

- After each use, remove the debris from the blades with a stiff brush, and then carefully apply a rust-preventative lubricant before refitting the blade cover. Use a rust-preventative lubricant spray to apply an even distribution and reduce the risk of personal injury from contact with the blades. For information about a suitable spray product, check with an authorised service centre.
- Check all nuts, bolts, and screws before each use and at frequent intervals for proper tightness to ensure that the product is in safe working condition. Any part that is damaged should be properly repaired or replaced by an authorised service centre.



Beware of thrown or flying objects. Keep all bystanders, especially children and pets, at least 15 m away from the operating area.



Remove the battery pack before starting any work on the product.



Guaranteed sound power level

KNOW YOUR PRODUCT

See page 113.

1. Blade guard
2. Front handle
3. Front trigger
4. Trigger
5. Rear handle
6. Blade
7. HEDGESWEEP debris sweeper
8. Blade cover
9. Operator's manual
10. Battery pack
11. Charger

SYMBOLS



Safety alert



Read and understand all instructions before operating the product. Follow all warnings and safety instructions.



Wear eye, ear, and head protection.



Wear non-slip, heavy-duty gloves.



Wear non-slip safety footwear when using the product.



To prevent serious injury, do not touch the cutting blades.



Always hold the product with both hands when operating.



Do not expose the product to rain or damp conditions.



Do not dispose of waste batteries, waste electrical and electronic equipment as unsorted municipal waste. Waste batteries and waste electrical and electronic equipment must be collected separately. Waste batteries, waste accumulators, and light sources have to be removed from the equipment. Check with your local authority or retailer for recycling advice and collection point. According to local regulations, retailers may have an obligation to take back waste batteries and waste electrical and electronic equipment free of charge. Your contribution to the reuse and recycling of waste batteries and waste electrical and electronic equipment helps to reduce the demand of raw materials. Waste batteries, in particular containing lithium, and waste electrical and electronic equipment contain valuable and recyclable materials, which can adversely impact the environment and the human health if not disposed of in an environmentally compatible manner. Delete personal data from waste equipment, if any.

FR TRADUCTION DE LA NOTICE ORIGINALE

Lors de la conception du taille-haies sans fil, l'accent a été mis sur la sécurité, la performance et la fiabilité.

UTILISATION PRÉVUE

Le taille-haies sans fil est destiné à la coupe et à la taille des buissons, des arbustes et de végétaux similaires.

Ce produit est destiné à un usage domestique ou privé. Le produit est uniquement conçu pour une utilisation en extérieur, dans des conditions sèches et bien éclairées. Le produit n'est pas conçu pour couper des haies, des buissons et des végétaux similaires d'un diamètre supérieur à ses capacités de coupe.

Utilisez ce produit pour aucun autre travail.

AVERTISSEMENTS DE SÉCURITÉ GÉNÉRAUX CONCERNANT LE PRODUIT

⚠ AVERTISSEMENT ! Lire tous les avertissements de sécurité, les instructions, les illustrations et les spécifications fournis avec cet outil électrique. Ne pas suivre les instructions énumérées ci-dessous peut provoquer un choc électrique, un incendie et/ou une blessure sérieuse.

Conserver tous les avertissements et toutes les instructions pour pouvoir s'y reporter ultérieurement.

Dans les avertissements, l'expression « outil électrique » fait référence au produit alimenté sur le secteur (à fil) ou sur batterie (sans fil).

SÉCURITÉ DE LA ZONE DE TRAVAIL

- **Conserv**er la zone de travail propre et bien éclairée. Les zones en désordre ou sombres sont propices aux accidents.
- **Ne pas faire fonctionner les outils électriques en atmosphère explosive, par exemple en présence de liquides inflammables, de gaz ou de poussières.** Les outils électriques produisent des étincelles qui peuvent enflammer les poussières ou les fumées.
- **Maintenir les enfants et les personnes présentes à l'écart** pendant l'utilisation de l'outil électrique. Les distractions peuvent vous faire perdre le contrôle de l'outil.

SÉCURITÉ ÉLECTRIQUE

- **Il faut que les fiches de l'outil électrique soient adaptées au socle.** Ne jamais modifier la fiche de quelque façon que ce soit. **Ne pas utiliser d'adaptateurs avec des outils électriques à branchement de terre.** Des fiches non modifiées et des socles adaptés réduisent le risque de choc électrique.
- **Éviter tout contact du corps avec des surfaces reliées à la terre** telles que les tuyaux, les radiateurs, les cuisinières et les réfrigérateurs. Il existe un risque accru de choc électrique si votre corps est relié à la terre.
- **Ne pas exposer les outils électriques à la pluie ou à des conditions humides.** La pénétration d'eau à l'intérieur d'un outil électrique augmente le risque de choc électrique.
- **Ne pas maltraiter le cordon.** Ne jamais utiliser le cordon pour porter, tirer ou débrancher l'outil électrique. Maintenir le cordon à l'écart de la chaleur, du lubrifiant, des arêtes vives ou des parties en mouvement. Des cordons endommagés ou emmêlés augmentent le risque de choc électrique.

- **Lorsqu'on utilise un outil électrique à l'extérieur, utiliser un prolongateur adapté à l'utilisation extérieure.** L'utilisation d'un cordon adapté à l'utilisation extérieure réduit le risque de choc électrique.
- **Si l'usage d'un outil électrique dans un emplacement humide est inévitable, utiliser une alimentation protégée par un dispositif à courant différentiel résiduel (RCD).** L'usage d'un RCD réduit le risque de choc électrique.

SÉCURITÉ DES PERSONNES

- **Rester vigilant, regarder ce que vous êtes en train de faire et faire preuve de bon sens dans votre utilisation de l'outil électrique. Ne pas utiliser un outil électrique lorsque vous êtes fatigué ou sous l'emprise de drogues, de l'alcool ou de médicaments.** Un moment d'inattention en cours d'utilisation d'un outil électrique peut entraîner des blessures graves.
- **Utiliser un équipement de protection individuelle. Toujours porter une protection pour les yeux.** Les équipements de protection individuelle tels que les masques contre les poussières, les chaussures de sécurité antidérapantes, les casques ou les protections auditives utilisés pour les conditions appropriées réduisent les blessures.
- **Éviter tout démarrage intempestif. S'assurer que l'interrupteur est en position arrêt avant de brancher l'outil au secteur et/ou au bloc de batteries, de le ramasser ou de le porter.** Porter les outils électriques en ayant le doigt sur l'interrupteur ou brancher des outils électriques dont l'interrupteur est en position marche est source d'accidents.
- **Retirer toute clé de réglage avant de mettre l'outil électrique en marche.** Une clé laissée fixée sur une partie tournante de l'outil électrique peut donner lieu à des blessures.
- **Ne pas se précipiter. Garder une position et un équilibre adaptés à tout moment.** Cela permet un meilleur contrôle de l'outil électrique dans des situations inattendues.
- **S'habiller de manière adaptée. Ne pas porter de vêtements amples ou de bijoux. Garder les cheveux et les vêtements à distance des parties en mouvement.** Des vêtements amples, des bijoux ou les cheveux longs peuvent être pris dans des parties en mouvement.
- **Si des dispositifs sont fournis pour le raccordement d'équipements pour l'extraction et la récupération des poussières, s'assurer qu'ils sont connectés et correctement utilisés.** Utiliser des collecteurs de poussière peut réduire les risques dus aux poussières.
- **Rester vigilant et ne pas négliger les principes de sécurité de l'outil sous prétexte que vous avez l'habitude de l'utiliser.** Une fraction de seconde d'inattention peut provoquer une blessure grave.

UTILISATION ET ENTRETIEN DE L'OUTIL ÉLECTRIQUE

- **Ne pas forcer l'outil électrique. Utiliser l'outil électrique adapté à votre application.** L'outil électrique adapté réalise mieux le travail et de manière plus sûre au régime pour lequel il a été construit.
- **Ne pas utiliser l'outil électrique si l'interrupteur ne permet pas de passer de l'état de marche à arrêt et inversement.** Tout outil électrique qui ne peut pas être commandé par l'interrupteur est dangereux et il faut le réparer.

- **Débrancher la fiche de la source d'alimentation et/ou enlever le bloc de batteries, s'il est amovible, avant tout réglage, changement d'accessoires ou avant de ranger l'outil électrique.** De telles mesures de sécurité préventives réduisent le risque de démarrage accidentel de l'outil électrique.
- **Conserver les outils électriques à l'arrêt hors de la portée des enfants et ne pas permettre à des personnes ne connaissant pas l'outil électrique ou les présentes instructions de le faire fonctionner.** Les outils électriques sont dangereux entre les mains d'utilisateurs novices.
- **Observer la maintenance des outils électriques et des accessoires. Vérifier qu'il n'y a pas de mauvais alignement ou de blocage des parties mobiles, des pièces cassées ou toute autre condition pouvant affecter le fonctionnement de l'outil électrique. En cas de dommages, faire réparer l'outil électrique avant de l'utiliser.** De nombreux accidents sont dus à des outils électriques mal entretenus.
- **Garder affûtés et propres les outils permettant de couper.** Des outils destinés à couper correctement entretenus avec des pièces coupantes tranchantes sont moins susceptibles de bloquer et sont plus faciles à contrôler.
- **Utiliser l'outil électrique, les accessoires et les lames etc., conformément à ces instructions, en tenant compte des conditions de travail et du travail à réaliser.** L'utilisation de l'outil électrique pour des opérations différentes de celles prévues peut donner lieu à des situations dangereuses.
- **Il faut que les poignées et les surfaces de préhension restent sèches, propres et dépourvues d'huiles et de graisses.** Des poignées et des surfaces de préhension glissantes rendent impossibles la manipulation et le contrôle en toute sécurité de l'outil dans les situations inattendues.

UTILISATION DES OUTILS FONCTIONNANT SUR BATTERIES ET PRÉCAUTIONS D'EMPLOI

- **Ne recharger qu'avec le chargeur spécifié par le fabricant.** Un chargeur qui est adapté à un type de bloc de batteries peut créer un risque de feu lorsqu'il est utilisé avec un autre type de bloc de batteries.
- **N'utiliser les outils électriques qu'avec des blocs de batteries spécifiquement désignés.** L'utilisation de tout autre bloc de batteries peut créer un risque de blessure et de feu.
- **Lorsqu'un bloc de batteries n'est pas utilisé, le maintenir à l'écart de tout autre objet métallique, par exemple trombones, pièces de monnaie, clés, clous, vis ou autres objets de petite taille qui peuvent donner lieu à une connexion d'une borne à une autre.** Le court-circuitage des bornes d'une batterie entre elles peut causer des brûlures ou un feu.
- **Dans de mauvaises conditions, du liquide peut être éjecté de la batterie; éviter tout contact. En cas de contact accidentel, nettoyer à l'eau. Si le liquide entre en contact avec les yeux, rechercher en plus une aide médicale.** Le liquide éjecté des batteries peut causer des irritations ou des brûlures.
- **Ne pas utiliser un bloc de batteries ou un outil fonctionnant sur batteries qui a été endommagé ou modifié.** Les batteries endommagées ou modifiées peuvent avoir un comportement imprévisible provoquant un feu, une explosion ou un risque de blessure.
- **Ne pas exposer un bloc de batteries ou un outil fonctionnant sur batteries au feu ou à une température excessive.** Une exposition au feu ou à une température supérieure à 130 °C peut provoquer une explosion.
- **Suivre toutes les instructions de charge et ne pas charger le bloc de batteries ou l'outil fonctionnant sur batteries hors de la plage de températures spécifiée dans les instructions.** Un chargement incorrect ou à des températures hors de la plage spécifiée de températures peut endommager la batterie et augmenter le risque de feu.

ENTRETIEN

- **Faire entretenir l'outil électrique par un réparateur qualifié utilisant uniquement des pièces de rechange identiques.** Cela assure le maintien de la sécurité de l'outil électrique.
- **Ne jamais effectuer d'opération d'entretien sur des blocs de batteries endommagés.** Il convient que l'entretien des blocs de batteries ne soit effectué que par le fabricant ou les fournisseurs de service autorisés.

AVERTISSEMENTS DE SÉCURITÉ CONCERNANT LE TAILLE-HAIES SANS FIL

- Ne pas utiliser le taille-haies si les conditions météorologiques sont défavorables, tout particulièrement en cas de risque de foudre. Ceci réduit le risque d'être frappé par la foudre.
- Tenir l'ensemble des cordons d'alimentation et des câbles à l'écart de la zone de coupe. Des câbles ou des cordons d'alimentation cachés dans des haies ou des buissons pourraient être accidentellement coupés par la lame.
- Portez une protection auditive. Un équipement de protection adéquat réduira le risque de perte auditive.
- Tenir le taille-haie uniquement au niveau des surfaces de saisie isolées. Sa lame pourrait entrer en contact avec des branchements dissimulés. Le contact entre les lames et un fil sous tension peut rendre conductrices les parties métalliques exposées du taille-haies et envoyer une décharge électrique à l'opérateur.
- Tenir toutes les parties du corps à l'écart de la lame. Ne tentez pas de retirer des matériaux coupés ou de maintenir un élément à couper lorsque les lames sont en mouvement. Les lames continuent à tourner une fois le moteur éteint. Un moment d'inattention lors de l'utilisation du produit peut provoquer de graves blessures.
- Lors du retrait de matériaux coincés ou de l'entretien du taille-haie, assurez-vous que tous les interrupteurs d'alimentation sont éteints et que la batterie est retirée ou déconnectée. Un actionnement inattendu du taille-haie lors du dégagement d'obstructions ou de l'entretien pourrait provoquer de graves blessures.
- Porter le taille-haie par la poignée, avec la lame éteinte et en prenant soin de ne pas appuyer sur aucun interrupteur. Un transport correct du taille-haies réduira le risque de démarrage accidentel pouvant entraîner des blessures causées par les lames.
- Lors du transport et du stockage du taille-haies, toujours installer le cache-lame. Une manipulation correcte du taille-haies réduira le risque de blessures causées par les lames.

INSTRUCTIONS DE SÉCURITÉ ADDITIONNELLES

- Ne pas essayer de couper des branches ou des tiges d'une épaisseur supérieure à la capacité indiquée dans le tableau des spécifications, ou qui sont visiblement trop larges pour la lame de coupe. Coupez les grosses branches à l'aide d'une scie à main ou d'un élagueur.
- Lorsque vous utilisez le produit, tenez-le toujours fermement des deux mains par ses deux poignées.
- Vérifiez la machine avant chaque utilisation. Vérifiez le bon fonctionnement de toutes les commandes. Vérifiez le bon serrage des attaches, l'absence de fuite de carburant, etc. Assurez-vous que toutes les protections et toutes les poignées sont bien en place et bien verrouillées. Remplacez toute pièce endommagée avant utilisation. Vérifiez l'absence de fuite du pack batterie.
- Chercher les objets cachés dans les haies et les buissons, tels que les barbelés et les branchements dissimulés.
- Le produit ne doit être utilisé qu'au niveau du sol et jamais sur une échelle ou un support instable, quel qu'il soit.
- Ne faites pas fonctionner le produit sous un mauvais éclairage. Utilisez le produit en plein jour ou sous un bon éclairage artificiel. L'opérateur doit avoir une bonne vue d'ensemble de la zone de travail pour identifier les dangers éventuels.
- L'utilisation d'une protection auditive réduit la capacité à entendre les avertissements (cris ou alarmes). Faites particulièrement attention aux dangers éventuels dans la zone de travail et à ses alentours. Ne vous laissez pas distraire et concentrez-vous toujours sur la tâche.
- Pour réduire les risques de blessures infligées par des pièces mobiles, mettez toujours l'appareil hors tension avant de retirer le bloc-batterie. Laissez les deux refroidir. Assurez-vous que tous les éléments en mouvement se sont bien arrêtés :
 - avant d'ajuster la position de fonctionnement des éléments coupants
 - avant entretien
 - avant de retirer une obstruction
 - avant de travailler sur le produit, de le vérifier ou de le nettoyer
 - avant de changer les accessoires
 - avant de laisser le produit sans surveillance
 - avant de vérifier l'absence de dommage après avoir heurté un objet
 - avant de procéder à la maintenance
 - si le produit se met à vibrer de façon anormale
- Ne pas forcer le produit dans des buissons épais. Les lames pourraient forcer et ralentir. Si les lames ralentissent, réduisez votre vitesse de progression.
- Si le produit est tombé, a subi un choc important ou se met à vibrer de façon anormale, arrêtez-le immédiatement et recherchez les dommages éventuels ou identifiez la cause des vibrations. Toute pièce endommagée doit être correctement remplacée ou réparée par un centre de service agréé.
- Utilisez le produit uniquement à des températures comprises entre 0 et 40 °C.
- Stockez le produit à un endroit dont la température ambiante est comprise entre 0 et 40 °C.

- L'utilisation prolongée d'un outil est susceptible de provoquer ou d'aggraver des blessures. Lorsque vous utilisez le produit pendant de longues périodes, assurez-vous de faire des pauses régulières.

MISE EN GARDE DE SÉCURITÉ SUPPLÉMENTAIRES CONCERNANT LA BATTERIE

- Pour réduire le risque d'incendie, de blessures corporelles et de dommages causés par un court-circuit, n'immergez jamais le produit, la batterie ou le chargeur dans un liquide et ne laissez jamais de liquide pénétrer dans aucun d'entre eux. Les fluides corrosifs ou conducteurs, tels que l'eau de mer, certains produits chimiques industriels, les produits de blanchiment ou contenant des agents de blanchiment etc. peuvent provoquer un court-circuit.
- Rechargez le bloc de batterie à un endroit où la température ambiante est comprise entre 10 et 38 °C.
- Remisez le bloc de batterie à un endroit où la température ambiante est comprise entre 0 et 20 °C.
- Utiliser le bloc-batterie à un endroit où la température ambiante est comprise entre 0 et 40 °C.

TRANSPORT ET STOCKAGE

- Éteindre l'appareil et retirer le bloc batterie. Assurez-vous que tous les éléments en mouvement se sont bien arrêtés. Laissez le produit et le bloc de batterie refroidir avant de les ranger ou de les transporter.
- Débarrassez l'appareil de tous les corps étrangers. Enlever la batterie avant de stocker et transporter le produit. Retirer le bloc-batterie et le fixer séparément. Rangez le produit dans un endroit sec, bien aéré et hors de portée des enfants. Tenez le produit à l'écart des agents corrosifs tels que les produits chimiques pour le jardin et les sels de dégivrage. Ne rangez pas ranger le produit à l'extérieur.
- Placer le protège-lame avant de ranger le produit ou pendant le transport.
- Pour le transport, attachez le produit pour l'empêcher de bouger ou de tomber, afin d'éviter toute blessure et tout dommage matériel.

TRANSPORT DES BATTERIES AU LITHIUM

- Transportez les batteries en conformité avec les dispositions et règlements locaux et nationaux.
- Respectez toutes les exigences légales particulières concernant l'emballage et l'étiquetage des batteries lorsque vous confiez leur transport à un tiers. Assurez-vous qu'aucune batterie ne puisse entrer en contact avec une autre batterie ou avec des matériaux conducteurs lors de son transport en isolant les bornes électriques avec du ruban adhésif ou des capuchons isolants non conducteurs. Ne transportez pas une batterie qui serait fendue ou qui fuirait. Demandez conseil au transporteur pour de plus amples informations.

ENTRETIEN

- N'utilisez que des pièces détachées et des accessoires d'origine constructeur. Le non respect de cette précaution peut entraîner de mauvaises performances, des blessures, et annuler votre garantie.
- Les réparations demandent un soin et des connaissances extrêmes et ne doivent être effectuées que par un technicien de service qualifié. Confiez l'entretien du produit à un centre de service agréé.

- Les lames sont extrêmement coupantes. Pour éviter toute blessure, faire preuve d'extrême prudence lors du nettoyage, du graissage, de l'installation ou du retrait du cache-lame.
- Éteindre l'appareil et retirer le bloc batterie. Laissez les deux refroidir. Assurez-vous que toutes les pièces mobiles se sont arrêtées entièrement avant toute tâche de nettoyage ou de maintenance.
- Vous pouvez effectuer les réglages et réparations décrits dans ce manuel. Pour les autres réparations, adressez-vous uniquement à un centre d'entretien agréé.
- Après chaque utilisation, utilisez un chiffon propre et sec pour nettoyer le corps et les poignées du produit. Toute pièce endommagée doit être correctement remplacée ou réparée par un centre de service agréé.
- Après chaque utilisation, retirez les débris des lames à l'aide d'une brosse dure, puis appliquez délicatement un lubrifiant anti-rouille avant de remettre en place le protège-lame. Pour une distribution régulière et pour réduire le risque de blessure lié au contact avec les lames, utilisez un spray de lubrifiant anti-rouille. Pour obtenir des informations sur un aérosol adapté, contactez votre centre de service agréé local.
- Vérifier le bon serrage de tous les écrous, boulons et vis avant chaque utilisation et régulièrement pour s'assurer que le produit est en bon état de marche. Toute pièce endommagée doit être correctement remplacée ou réparée par un centre de service agréé.



Toujours tenir le produit avec les deux mains lors de son utilisation.

Ne pas exposer à la pluie ou à des conditions humides.

Prenez garde à la projection d'objets au sol et dans les airs. Gardez tous les passants, en particulier les enfants et les animaux, éloignés d'au moins 15 m de la zone de travail.

Retirez le bloc de batterie avant de commencer un quelconque travail sur le produit.

Niveau de puissance sonore garanti

Ne jetez pas les batteries et les équipements électriques et électroniques usagés parmi les déchets municipaux non triés. Les batteries et les équipements électriques et électroniques usagés doivent être collectés séparément. Les batteries, accumulateurs et sources lumineuses usagés doivent être retirés de l'équipement. Pour obtenir des conseils en matière de recyclage et de points de collecte, se renseigner auprès des autorités locales ou du détaillant. Selon les réglementations locales, les détaillants peuvent avoir l'obligation de récupérer gratuitement les batteries et les équipements électriques et électroniques usagés. Votre contribution à la réutilisation et au recyclage des batteries et équipements électriques et électroniques usagés permet de réduire la demande en matières premières. Les batteries, notamment celles qui contiennent du lithium, ainsi que les équipements électriques et électroniques usagés comportent des matériaux précieux et recyclables, qui peuvent avoir un impact négatif sur l'environnement et la santé humaine s'ils ne sont pas éliminés de manière respectueuse de l'environnement. Supprimer les données personnelles de l'équipement usagé, le cas échéant.



APPRENEZ À CONNAÎTRE VOTRE PRODUIT

Voir page 113.

1. Protection de lame
2. Poignée avant
3. Déclencheur avant
4. Gâchette
5. Poignée arrière
6. Lame
7. Déflecteur de débris HEDGESWEEP
8. Couvre-lame
9. Manuel utilisateur
10. Bloc de batterie
11. Chargeur

SYMBOLES



Alerte de sécurité



Lisez et comprenez toutes les instructions avant d'utiliser le produit. Respectez l'ensemble des avertissements et consignes de sécurité.



Portez des protections pour les yeux, les oreilles et la tête.



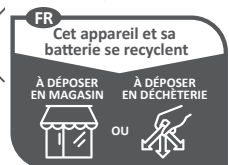
Portez des gants de protection résistants et antidérapants.



Portez des chaussures de sécurité antidérapantes lorsque vous utilisez le produit.



Ne touchez pas les lames afin d'éviter toute blessure grave.



Points de collecte sur www.quefairedemesdechets.fr

DE ÜBERSETZUNG DER ORIGINALANLEITUNG

Sicherheit, Leistung und Zuverlässigkeit hatten oberste Priorität bei der Entwicklung Ihrer Akku-Heckenschere.

BESTIMMUNGSGEMÄSSE VERWENDUNG

Die Akku-Heckenschere ist zum Schneiden und Trimmen von Hecken, Sträuchern und ähnlichen Gewächsen bestimmt.

Dieses Produkt wurde für den Hausgebrauch entwickelt. Das Produkt ist nur für die Verwendung im Freien unter trockenen und gut beleuchteten Bedingungen bestimmt. Das Gerät ist nicht zum Schneiden von Hecken, Gebüsch und ähnlicher Vegetation mit einem Durchmesser geeignet, der die Schneidekapazität überschreitet.

Das Produkt darf zu keinen anderen Zwecken verwendet werden.

ALLGEMEINE SICHERHEITSHINWEISE ZUM GERÄT

⚠️ WARNUNG! Lesen Sie alle Sicherheitshinweise und Anweisungen. Versäumnisse bei der Einhaltung der Sicherheitshinweise und Anweisungen können elektrischen Schlag, Brand und/oder schwere Verletzungen verursachen.

Bewahren Sie alle Sicherheitshinweise und Anweisungen für die Zukunft auf.

Der Begriff „Elektrowerkzeug“ in den Warnhinweisen bezieht sich auf Ihr über einen Stromanschluss (mit Stromkabel) oder mit einem Akku (kabellos) betriebenes Gerät.

ARBEITSPLATZSICHERHEIT

- **Halten Sie Ihren Arbeitsbereich sauber und gut beleuchtet.** Unordnung oder unbeleuchtete Arbeitsbereiche können zu Unfällen führen.
- **Arbeiten Sie mit dem Elektrowerkzeug nicht in explosionsgefährdeter Umgebung, in der sich brennbare Flüssigkeiten, Gase oder Stäube befinden.** Elektrowerkzeuge erzeugen Funken, die den Staub oder die Dämpfe entzünden können.
- **Halten Sie Kinder und andere Personen während der Benutzung des Elektrowerkzeugs fern.** Bei Ablenkung können Sie die Kontrolle über das Gerät verlieren.

ELEKTRISCHE SICHERHEIT

- **Der Anschlussstecker des Elektrowerkzeugs muss in die Steckdose passen. Der Stecker darf in keiner Weise verändert werden. Verwenden Sie keine Adapterstecker gemeinsam mit schutzgeerdeten Elektrowerkzeugen.** Unveränderte Stecker und passende Steckdosen verringern das Risiko eines elektrischen Schlages.
- **Vermeiden Sie Körperkontakt mit geerdeten Oberflächen wie von Rohren, Heizungen, Herden und Kühlschränken.** Es besteht ein erhöhtes Risiko durch elektrischen Schlag, wenn Ihr Körper geerdet ist.
- **Halten Sie Elektrowerkzeuge von Regen oder Nässe fern.** Das Eindringen von Wasser in ein Elektrowerkzeug erhöht das Risiko eines elektrischen Schlages.
- **Zweckentfremden Sie die Anschlussleitung nicht, um das Elektrowerkzeug zu tragen, aufzuhängen oder um den Stecker aus der Steckdose zu ziehen. Halten Sie die Anschlussleitung fern von Hitze, Öl, scharfen Kanten oder sich bewegenden Geräteteilen.** Beschädigte oder verwickelte Anschlussleitungen erhöhen das Risiko eines elektrischen Schlages.

- **Wenn Sie mit einem Elektrowerkzeug im Freien arbeiten, verwenden Sie nur Verlängerungsleitungen, die auch für den Außenbereich geeignet sind.** Die Anwendung einer für den Außenbereich geeigneten Verlängerungsleitung verringert das Risiko eines elektrischen Schlages.
- **Wenn der Betrieb des Elektrowerkzeugs in feuchter Umgebung nicht vermeidbar ist, verwenden Sie einen Fehlerstromschutzschalter.** Der Einsatz eines Fehlerstromschutzschalters vermindert das Risiko eines elektrischen Schlages.

SICHERHEIT VON PERSONEN

- **Seien Sie aufmerksam, achten Sie darauf, was Sie tun, und gehen Sie mit Vernunft an die Arbeit mit einem Elektrowerkzeug. Benutzen Sie kein Elektrowerkzeug, wenn Sie müde sind oder unter dem Einfluss von Drogen, Alkohol oder Medikamenten stehen.** Ein Moment der Unachtsamkeit beim Gebrauch des Elektrowerkzeugs kann zu ernsthaften Verletzungen führen.
- **Tragen Sie persönliche Schutzausrüstung und immer eine Schutzbrille.** Das Tragen persönlicher Schutzausrüstung, wie Staubmaske, rutschfeste Sicherheitsschuhe, Schutzhelm oder Gehörschutz, je nach Art und Einsatz des Elektrowerkzeugs, verringert das Risiko von Verletzungen.
- **Vermeiden Sie eine unbeabsichtigte Inbetriebnahme. Vergewissern Sie sich, dass das Elektrowerkzeug ausgeschaltet ist, bevor Sie es an die Stromversorgung und/oder den Akku anschließen, es aufnehmen oder tragen.** Wenn Sie beim Tragen des Elektrowerkzeugs den Finger am Schalter haben oder das Gerät eingeschaltet an die Stromversorgung anschließen, kann dies zu Unfällen führen.
- **Entfernen Sie Einstellwerkzeuge oder Schraubenschlüssel, bevor Sie das Elektrowerkzeug einschalten.** Ein Werkzeug oder Schlüssel, der sich in einem drehenden Geräteteil befindet, kann zu Verletzungen führen.
- **Vermeiden Sie eine abnormale Körperhaltung. Sorgen Sie für einen sicheren Stand und halten Sie jederzeit das Gleichgewicht.** Dadurch können Sie das Elektrowerkzeug in unerwarteten Situationen besser kontrollieren.
- **Tragen Sie geeignete Kleidung. Tragen Sie keine weite Kleidung oder Schmuck. Halten Sie Haare und Kleidung fern von sich bewegenden Teilen.** Lockere Kleidung, Schmuck oder lange Haare können von sich bewegenden Teilen erfasst werden.
- **Wenn Staubabsaug- und -auffangeinrichtungen montiert werden können, sind diese anzuschließen und richtig zu verwenden.** Verwendung einer Staubabsaugung kann Gefährdungen durch Staub verringern.
- **Wiegen Sie sich nicht in falscher Sicherheit und setzen Sie sich nicht über die Sicherheitsregeln für Elektrowerkzeuge hinweg, auch wenn sie nach vielfachem Gebrauch mit dem Elektrowerkzeug vertraut sind.** Achtloses Handeln kann binnen Sekundenbruchteilen zu schweren Verletzungen führen.

VERWENDUNG UND BEHANDLUNG DES ELEKTROWERKZEUGS

- **Überlasten Sie das Gerät nicht. Verwenden Sie für Ihre Arbeit das dafür bestimmte Elektrowerkzeug.** Mit dem passenden Elektrowerkzeug arbeiten Sie besser und sicherer im angegebenen Leistungsbereich.

- **Benutzen Sie kein Elektrowerkzeug, dessen Schalter defekt ist.** Ein Elektrowerkzeug, das sich nicht mehr ein- oder ausschalten lässt, ist gefährlich und muss repariert werden.
 - **Ziehen Sie den Stecker aus der Steckdose und/oder entfernen Sie einen abnehmbaren Akku, bevor Sie Geräteeinstellungen vornehmen, Zubehörteile wechseln oder das Gerät weglegen.** Diese Vorsichtsmaßnahme verhindert den unbeabsichtigten Start des Elektrowerkzeugs.
 - **Bewahren Sie unbenutzte Elektrowerkzeuge außerhalb der Reichweite von Kindern auf. Lassen Sie Personen das Gerät nicht benutzen, die mit diesem nicht vertraut sind oder diese Anweisungen nicht gelesen haben.** Elektrowerkzeuge sind gefährlich, wenn Sie von unerfahrenen Personen benutzt werden.
 - **Pflegen Sie Elektrowerkzeuge und Zubehör mit Sorgfalt. Kontrollieren Sie, ob bewegliche Teile einwandfrei funktionieren und nicht klemmen, ob Teile gebrochen oder so beschädigt sind, dass die Funktion des Elektrowerkzeugs beeinträchtigt ist. Lassen Sie beschädigte Teile vor dem Einsatz des Gerätes reparieren.** Viele Unfälle haben ihre Ursache in schlecht gewarteten Elektrowerkzeugen.
 - **Halten Sie Schneidwerkzeuge scharf und sauber.** Sorgfältig gepflegte Schneidwerkzeuge mit scharfen Schneidkanten verklemmen sich weniger und sind leichter zu führen.
 - **Verwenden Sie Elektrowerkzeug, Zubehör, Einsatzwerkzeuge usw. entsprechend diesen Anweisungen. Berücksichtigen Sie dabei die Arbeitsbedingungen und die auszuführende Tätigkeit.** Der Gebrauch von Elektrowerkzeugen für andere als die vorgesehenen Anwendungen kann zu gefährlichen Situationen führen.
 - **Halten Sie Griffe und Griffflächen trocken, sauber und frei von Öl und Fett.** Rutschige Griffe und Griffflächen erlauben keine sichere Bedienung und Kontrolle des Elektrowerkzeugs in unvorhergesehenen Situationen.
- **Setzen Sie einen Akku keinem Feuer oder zu hohen Temperaturen aus.** Feuer oder Temperaturen über 130 °C können eine Explosion hervorrufen.
 - **Befolgen Sie alle Anweisungen zum Laden und laden Sie den Akku oder das Akkuwerkzeug niemals außerhalb des in der Betriebsanleitung angegebenen Temperaturbereichs.** Falsches Laden oder Laden außerhalb des zugelassenen Temperaturbereichs kann den Akku zerstören und die Brandgefahr erhöhen.

SERVICE

- **Lassen Sie Ihr Elektrowerkzeug nur von qualifiziertem Fachpersonal und nur mit Original-Ersatzteilen reparieren.** Damit wird sichergestellt, dass die Sicherheit des Gerätes erhalten bleibt.
- **Warten Sie niemals beschädigte Akkus.** Sämtliche Wartung von Akkus sollte nur durch den Hersteller oder bevollmächtigte Kundendienststellen erfolgen.

SICHERHEITSHINWEISE FÜR DIE AKKU-HECKENSCHERE

VERWENDUNG UND BEHANDLUNG VON AKKUWERKZEUGEN

- **Laden Sie die Akkus nur mit Ladegeräten auf, die vom Hersteller empfohlen werden.** Durch ein Ladegerät, das für eine bestimmte Art von Akku geeignet ist, besteht Brandgefahr, wenn es mit anderen Akkus verwendet wird.
- **Verwenden Sie nur die dafür vorgesehenen Akkus in den Elektrowerkzeugen.** Der Gebrauch von anderen Akkus kann zu Verletzungen und Brandgefahr führen.
- **Halten Sie den nicht benutzten Akku fern von Büroklammern, Münzen, Schlüsseln, Nägeln, Schrauben oder anderen kleinen Metallgegenständen, die eine Überbrückung der Kontakte verursachen könnten.** Ein Kurzschluss zwischen den Akkukontakten kann Verbrennungen oder Feuer zur Folge haben.
- **Bei falscher Anwendung kann Flüssigkeit aus dem Akku austreten. Vermeiden Sie den Kontakt damit. Bei zufälligem Kontakt mit Wasser abspülen. Wenn die Flüssigkeit in die Augen kommt, nehmen Sie zusätzlich ärztliche Hilfe in Anspruch.** Austretende Akkuflüssigkeit kann zu Hautreizungen oder Verbrennungen führen.
- **Benutzen Sie keinen beschädigten oder veränderten Akku.** Beschädigte oder veränderte Akkus können sich unvorhersehbar verhalten und zu Feuer, Explosion oder Verletzungsgefahr führen.
- Nutzen Sie die Heckenschere nicht bei schlechtem Wetter, vor allem nicht bei Gewittergefahr. Dies verringert das Risiko, von einem Blitz getroffen zu werden.
- Halten Sie alle Stromkabel aus dem Schneidebereich fern. Stromkabel können in Hecken oder Gebüsch verborgen sein und versehentlich mit dem Messer durchtrennt werden.
- Tragen Sie einen Gehörschutz. Geeignete Schutzausrüstung reduziert das Risiko von Hörverlust.
- Halten Sie die Heckenschere nur an den isolierten Greifflächen, da die Messer in Kontakt mit verborgener Verkabelung kommen können. Wenn die Messer Kontakt zu einem stromführenden Draht haben, kann das dazu führen, dass offenliegende Metallteile der Heckenschere ebenfalls Strom führen, und der Bediener könnte einen Stromschlag erleiden.
- Halten Sie alle Körperteile von dem Messer fern. Entfernen Sie geschnittenes Material nicht und halten Sie das zu schneidende Material nicht fest, wenn sich die Messer bewegen. Die Messer rotieren nach dem Abschalten des Motors weiterhin. Ein Moment der Unachtsamkeit bei der Benutzung einer Heckenschere kann zu schweren Verletzungen führen.
- Stellen Sie beim Beseitigen von eingeklemmtem Material oder bei der Wartung der Heckenschere sicher, dass alle Netzschalter ausgeschaltet sind und der Akkupack entfernt oder abgeklemmt wurde. Unerwartetes Ingangsetzen der Heckenschere bei der Wartung oder beim Entfernen von eingeklemmtem Material kann zu schwerwiegenden Personenschäden führen.
- Tragen Sie die Heckenschere bei angehaltener Messer am Griff und achten Sie darauf, die Einschalttaste nicht zu bedienen. Das korrekte Tragen der Heckenschere verringert das Risiko des unbeabsichtigten Einschaltens und damit das Risiko von Verletzungen durch die Messer.
- Legen Sie zum Transport sowie zum Aufbewahren der Heckenschere immer der Schutzabdeckung auf. Die korrekte Handhabung der Heckenschere verringert das Risiko von Verletzungen durch die Messer.

ZUSÄTZLICHE SICHERHEITSWARNUNGEN

- Versuchen Sie nicht, Zweige oder Äste zu schneiden, die dicker als die in den Spezifikationen angegebene Schnittleistung sind oder offensichtlich nicht in das Schneidmesser passen. Verwenden Sie eine Hand- oder Astsäge ohne Motor, um größere Äste und Stämme zu schneiden.
- Halten Sie das Produkt bei der Benutzung immer mit beiden Händen an den beiden Griffen fest.
- Untersuchen Sie das Produkt vor jeder Benutzung. Überprüfen Sie den ordnungsgemäßen Betrieb aller Bedienungselemente. Überprüfen Sie auf lockere Verschlüsse, Treibstofflecks, usw. Stellen Sie sicher, dass alle Schutzvorrichtungen und Griffe ordnungsgemäß und sicher befestigt sind. Ersetzen Sie vor der Benutzung jegliche beschädigten Teile. Überprüfen Sie den Akkupack auf undichte Stellen.
- Überprüfen Sie die Hecken und Sträucher auf Fremdkörper, z. B. Drahtzäune und verborgene Drähte.
- Das Gerät darf nur vom Boden aus betrieben werden, der Bediener darf dabei nicht auf einer Leiter oder einer sonstigen instabilen Stütze stehen.
- Arbeiten Sie nicht mit dem Gerät bei schlechter Beleuchtung. Benutzen Sie das Produkt bei Tageslicht oder gutem Kunstlicht. Der Benutzer braucht einen ungehinderten Blick auf den Arbeitsbereich, um mögliche Gefahren zu erkennen.
- Das Tragen von Gehörschutz verringert Ihre Fähigkeit Warnungen zu hören (Warnungen oder Zurufe). Achten Sie besonders auf mögliche Gefahren um und in dem Arbeitsbereich. Lassen Sie sich nicht ablenken und konzentrieren Sie sich immer auf die Aufgabe.
- Um das Verletzungsrisiko bei Kontakt mit beweglichen Teilen zu verringern, schalten Sie das Gerät immer aus und nehmen Sie den Akkusatz heraus. Lassen Sie beides abkühlen. Stellen Sie sicher, dass alle bewegliche Teile vollständig angehalten sind:
 - bevor die Arbeitsstellung des Schneidwerkzeugs eingestellt wird
 - bevor Sie das Produkt warten
 - bevor Sie eine Blockierung entfernen
 - bevor Sie das Produkt prüfen, reinigen oder daran arbeiten
 - bevor Sie Zubehörteile wechseln
 - bevor Sie das Produkt unbeaufsichtigt zurücklassen
 - bevor Sie das Gerät nach dem Kontakt mit Gegenständen auf Schäden prüfen
 - bevor der Durchführung der Wartung
 - wenn das Produkt anfängt ungewöhnlich zu vibrieren
- Führen Sie das Produkt nicht mit Gewalt durch dichtes Strauchwerk. Dies kann dazu führen, dass das Schneidwerkzeug blockieren und dadurch langsamer werden. Sollte die Schneidwerkzeuge langsamer werden, verringern Sie die Arbeitsgeschwindigkeit.
- Wenn das Produkt fallen gelassen wurde oder einen schweren Schlag erhielt oder ungewöhnlich vibriert, stoppen Sie das Produkt sofort und überprüfen es auf Schäden oder identifizieren Sie die Ursache der Vibration. Jedes beschädigte Teil muss durch den autorisierten Kundendienst ordnungsgemäß repariert oder ausgetauscht werden.
- Betreiben Sie das Gerät nur bei Temperaturen zwischen 0 und 40 °C.
- Bewahren Sie das Gerät bei einer Umgebungstemperatur von 0 bis 40 °C auf.

- Verletzungen können durch lange Benutzung eines Produkts entstehen oder verschlimmert werden. Wenn Sie das Gerät über einen längeren Zeitraum nutzen, stellen Sie regelmäßige Pausen sicher.

WEITERE SICHERHEITSHINWEISE ZUM AKKU

- Um die Brandgefahr sowie die Gefahr von Personenschaden und der Beschädigung des Produkts aufgrund eines Kurzschlusses zu reduzieren, halten Sie das Gerät, den Akkupack und das Ladegerät von Flüssigkeiten fern. Korrodierende oder leitfähige Flüssigkeiten, wie Salzwasser, bestimmte Chemikalien und Bleichmittel oder Produkte, die Bleichmittel enthalten, können einen Kurzschluss verursachen.
- Laden Sie den Akkupack bei einer Umgebungstemperatur von 10 bis 38 °C.
- Bewahren Sie den Akkupack bei einer Umgebungstemperatur von 0 bis 20 °C auf.
- Verwenden Sie den Akkupack bei Umgebungstemperaturen von 0 bis 40 °C.

TRANSPORT UND LAGERUNG

- Schalten Sie das Gerät aus und entfernen Sie den Akkupack. Stellen Sie sicher, dass alle bewegliche Teile vollständig angehalten sind. Lassen Sie das Produkt und den Akkupack vor der Lagerung oder dem Transport abkühlen.
- Entfernen Sie alle Fremdkörper vom Produkt. Vermeiden Sie es, das Produkt mit eingelegetem Akkupack zu lagern oder zu transportieren. Entfernen Sie den Akkupack und sichern Sie ihn separat. Lagern Sie das Produkt an einem kühlen, trockenen und gut belüfteten Ort, der Kindern keinen Zugang bietet. Halten Sie das Produkt von ätzenden Mitteln wie Gartenchemikalien und Streusalz fern. Lagern Sie das Gerät nicht im Freien.
- Setzen Sie vor dem Aufbewahren und zum Transport die Schutzabdeckung auf das Gerät.
- Sichern Sie das Produkt beim Transport in einem Fahrzeug gegen Bewegung oder Herunterfallen, um Verletzungen an Personen und Beschädigung des Produktes zu verhindern.

TRANSPORT VON LITHIUM-IONEN-AKKUS

- Transportieren Sie Akkupacks gemäß Ihren örtlichen und nationalen Bestimmungen und Regeln.
- Befolgen Sie alle besonderen Anforderungen für Verpackung und Beschriftung, wenn Sie Akkus von Dritten transportieren lassen. Stellen Sie sicher, dass beim Transport kein Akku in Kontakt mit anderen Akkus oder leitenden Materialien kommt, indem Sie die freien Anschlüsse mit Isolierband, nichtleitenden Kappen oder Klebeband schützen. Beschädigte oder auslaufende Akkus dürfen nicht transportiert werden. Weitere Informationen erhalten Sie bei Ihrem Transportunternehmen.

WARTUNG UND PFLEGE

- Verwenden Sie ausschließlich original Ersatzteile, Zubehör und Aufsätze des Herstellers. Nichtbefolgung kann mögliche Verletzungen oder schlechte Leistung verursachen und Ihre Garantie ungültig machen.

EN

FR

DE

ES

IT

NL

PT

DA

SV

FI

NO

RU

PL

CS

HU

RO

LV

LT

ET

HR

SL

SK

BG

UK

TR

EL

- Service und Wartung des Gerätes erfordert besonderen Sorgfalt und Kenntnisstand und sollte nur durch qualifiziertes Personal durchgeführt werden. Lassen Sie das Gerät nur von einem autorisierten Servicecenter warten.
- Die Messer sind extrem scharf. Um Verletzungen zu vermeiden, achten Sie beim Reinigen, Schmieren, Installieren oder Entfernen des Messerabdeckung auf extreme Vorsicht.
- Schalten Sie das Gerät aus und entfernen Sie den Akkupack. Lassen Sie beides abkühlen. Stellen Sie vor jeder Reinigung oder Wartung sicher, dass alle bewegliche Teile vollständig angehalten sind.
- Sie dürfen die in dieser Bedienungsanleitung beschriebenen Einstellungen und Reparaturen durchführen. Wenden Sie sich zwecks anderer Reparaturen nur an ein autorisiertes Servicecenter.
- Reinigen Sie das Gehäuse und die Griffe nach jeder Benutzung des Produktes mit einem weichen, trockenen Lappen. Jedes beschädigte Teil muss durch den autorisierten Kundendienst ordnungsgemäß repariert oder ausgetauscht werden.
- Reinigen Sie nach jeder Benutzung das Schneidwerkzeug von Schmutz mit einer harten Bürste und tragen dann vorsichtig ein Öl als Rostschutz auf, bevor Sie den Transportschutz wieder anbringen. Verwenden Sie ein Rostschutz-Schmierspray, um eine gleichmäßige Verteilung zu gewährleisten und die Gefahr von Verletzungen durch Kontakt mit den Klingen zu verringern. Fragen Sie Ihren autorisierten Kundendienst nach einem geeignete Spray-Produkt.
- Überprüfen Sie alle Muttern, Bolzen und Schrauben vor jedem Gebrauch und in regelmäßigen Abständen auf korrekte Dichtigkeit, um sicherzustellen, dass das Produkt in einem sicheren Arbeitszustand ist. Jedes beschädigte Teil muss durch den autorisierten Kundendienst ordnungsgemäß repariert oder ausgetauscht werden.



Tragen Sie rutschfeste, strapazierfähige Schutzhandschuhe.



Tragen Sie rutschfeste Sicherheitsschuhe, wenn Sie dieses Produkt benutzen.



Berühren Sie zur Vermeidung von Verletzungen nicht die Schneidmessern.



Halten Sie das Produkt beim Betrieb immer mit beiden Händen fest.



Nicht Regen oder feuchten Bedingungen aussetzen.



Achten Sie auf geschleuderte oder fliegende Objekte. Halten Sie unbeteiligte Personen (insbesondere Kinder und Tiere) mindestens 15 m vom Arbeitsbereich fern.



Entfernen Sie den Akku, bevor Sie mit Arbeiten an dem Produkt beginnen.



Garantierter Schalleistungspegel

Entsorgen Sie Altbatterien, Elektro- und Elektronikaltgeräte nicht als unsortierten Siedlungsabfall. Altbatterien und Elektro- und Elektronikaltgeräte müssen getrennt gesammelt werden. Altbatterien, Altakkumulatoren und Lichtquellen müssen aus den Geräten entfernt werden. Informieren Sie sich bei den örtlichen Behörden oder bei Ihrem Einzelhändler über Recyclingoptionen und die Entsorgungseinrichtung. Je nach den örtlichen Vorschriften kann der Einzelhandel verpflichtet sein, Altbatterien und Elektro- und Elektronik-Altgeräte unentgeltlich zurückzunehmen. Ihr Beitrag zur Wiederverwendung und zum Recycling von Elektro- und Elektronikaltgeräten trägt dazu bei, den Bedarf an Rohstoffen zu verringern. Altbatterien, insbesondere lithiumhaltige Batterien, und Elektro- und Elektronik-Altgeräte enthalten wertvolle, wiederverwertbare Materialien, die sich negativ auf die Umwelt und die menschliche Gesundheit auswirken können, wenn sie nicht auf umweltverträgliche Weise entsorgt werden. Löschen Sie ggf. personenbezogene Daten aus Altgeräten.



MACHEN SIE SICH MIT IHREM PRODUKT VERTRAUT

Siehe Seite 113.

1. Schneidgarniturschutz
2. Vorderer Handgriff
3. Vorderer Auslöser
4. Ein-/Ausschalter
5. Hinterer Handgriff
6. Messer
7. HEDGESWEEP Schnittgut-Kehrer
8. Schutzabdeckung
9. Bedienungsanleitung
10. Akkupack
11. Ladegerät

SYMBOLE



Sicherheitswarnung



Vor dem Bedienen des Produkts müssen Sie alle Anweisungen lesen und verstehen. Befolgen Sie alle Warn- und Sicherheitshinweise.



Tragen Sie Schutzbrille, Gehörschutz und Kopfschutz.

ES TRADUCCIÓN DE LAS INSTRUCCIONES ORIGINALES

La seguridad, el rendimiento y la fiabilidad han sido las máximas prioridades a la hora de diseñar este cortasetos inalámbrico.

USO PREVISTO

El cortasetos inalámbrico está diseñado para cortar y recortar setos, arbustos y vegetación similar.

El producto está diseñado para uso doméstico. El producto está concebido exclusivamente para su uso en espacios exteriores, en condiciones secas y de buena iluminación. El producto no está diseñado para cortar cercas, arbustos o vegetación similar, con diámetros superiores a su capacidad de corte.

No la use para ninguna otra finalidad.

ADVERTENCIAS GENERALES DE SEGURIDAD DEL PRODUCTO

⚠ ¡ADVERTENCIA! Lea atentamente todas las advertencias, instrucciones y especificaciones suministradas con la herramienta, y consulte las ilustraciones. No seguir las instrucciones que se detallan a continuación podría provocar una descarga eléctrica, fuego y/o lesiones graves.

Guarde estas advertencias e instrucciones para poder consultarlas posteriormente.

El término «herramienta eléctrica» incluido en las advertencias hace referencia a su producto conectado a la red eléctrica (con cable) o a su producto alimentado con batería (inalámbrico).

SEGURIDAD DEL LUGAR DE TRABAJO

- **El lugar de trabajo debe estar limpio y bien iluminado.** Las zonas oscuras o poco despejadas pueden provocar accidentes.
- **No utilice herramientas eléctricas en presencia de elementos explosivos, por ejemplo en lugares donde haya líquidos, gases o polvo inflamables.** Las chispas generadas por las herramientas eléctricas pueden producir un incendio o provocar una explosión.
- **Cuando se utiliza una máquina eléctrica, los niños, las demás personas y los animales deben permanecer lejos de la zona de trabajo.** De lo contrario, podrían distraerle y hacerle perder el control de la herramienta.

SEGURIDAD ELÉCTRICA

- **El enchufe de la herramienta eléctrica debe corresponder a la toma de corriente. No modifique ni haga ninguna operación de mantenimiento en el enchufe. No utilice adaptadores con herramientas eléctricas con conexión a tierra o a masa.** De este modo, evitará el riesgo de recibir una descarga eléctrica.
- **Evite todo contacto con superficies que tengan conexión a tierra o a masa (es decir, tubos, radiadores, cocinas, neveras, etc.).** El riesgo de recibir una descarga eléctrica aumenta si una parte de su cuerpo está en contacto con elementos que tienen conexión a tierra o a masa.
- **No exponga las herramientas eléctricas a la lluvia o a la humedad.** El riesgo de recibir una descarga eléctrica aumenta si entra agua en la herramienta eléctrica.
- **Compruebe que el cable de alimentación está en buen estado. No sostenga la herramienta por el cable**

de alimentación ni tire del cable para desenchufarla. Mantenga el cable de alimentación lejos de toda fuente de calor, aceite, objetos con bordes cortantes y elementos en movimiento. El riesgo de recibir una descarga eléctrica aumenta si el cable de alimentación está dañado o anudado.

- **Cuando trabaje al aire libre, utilice exclusivamente alargaderas diseñadas para tal fin.** De este modo, evitará el riesgo de recibir una descarga eléctrica.
- **Si se ve obligado a utilizar la herramienta en un ambiente húmedo, enchúfela a una toma de corriente protegida por un dispositivo diferencial residual (DDR).** El uso de un dispositivo DDR reduce los riesgos de descargas eléctricas.

SEGURIDAD PERSONAL

- **Preste mucha atención a lo que está haciendo y use su sentido común al trabajar con una herramienta eléctrica. No utilice la herramienta eléctrica cuando esté cansado o bajo los efectos del alcohol o de drogas, o si toma medicamentos.** No olvide nunca que basta con un segundo de inatención para herirse gravemente.
- **Utilice dispositivos de protección. Protéjase siempre la vista.** De acuerdo a las condiciones de trabajo, lleve también una mascarilla antipolvo, calzado antideslizante, un casco o elementos de protección auditiva para evitar heridas graves.
- **Evite que la máquina se ponga en marcha accidentalmente. Compruebe que el interruptor está en la posición “apagado” antes de enchufar la herramienta a una toma de corriente o colocar la batería, y antes de coger o transportar la herramienta.** Para evitar el riesgo de accidentes, no desplace la herramienta con el dedo en el gatillo y no la enchufe ni coloque la batería si el interruptor está en la posición “funcionamiento”.
- **Retire las llaves de apriete antes de poner en marcha la herramienta.** Si deja una llave de apriete en uno de los elementos móviles de la herramienta, se puede producir un accidente con heridas corporales graves.
- **Mantenga siempre el equilibrio. Afírmese bien en sus piernas y no extienda demasiado el brazo.** Una posición de trabajo estable permite controlar mejor la herramienta en caso de producirse algún imprevisto.
- **Utilice ropa adecuada. No utilice prendas amplias ni joyas. No acerque el pelo ni la ropa a las piezas móviles.** Las prendas amplias, las joyas y el cabello largo pueden engancharse en los elementos que están en movimiento.
- **Si la herramienta se suministra con un dispositivo aspirador de polvo, cerciódese de que esté correctamente instalado y que se utiliza como corresponde.** De este modo, reducirá el riesgo de accidentes.
- **No permita que la familiaridad adquirida por el uso frecuente de las herramientas le haga bajar la guardia o ignorar los principios de seguridad de las herramientas.** Una negligencia podría provocar graves lesiones en una fracción de segundo.

UTILIZACIÓN Y MANTENIMIENTO DE LAS HERRAMIENTAS ELÉCTRICAS

- **No fuerce la herramienta. Utilice la herramienta que mejor se adecue al trabajo que desee realizar.** Tendrá un rendimiento más eficaz y trabajará con más seguridad si la utiliza al régimen para el que ha sido diseñada.

- **No utilice una herramienta eléctrica si el interruptor no funciona correctamente.** Una herramienta que no se puede poner en marcha y apagar correctamente es peligrosa y debe repararse obligatoriamente.
- **Desconecte el enchufe de la fuente de alimentación y/o extraiga el conjunto de baterías, si se puede sacar, de la herramienta eléctrica antes de realizar ningún ajuste, de cambiar accesorios o de almacenar las herramientas eléctricas.** De este modo, reducirá el riesgo de que la herramienta se ponga en marcha inadvertidamente.
- **Guarde las herramientas eléctricas fuera del alcance de los niños. No deje que esta herramienta sea utilizada por personas que desconozcan su funcionamiento o las instrucciones de seguridad indicadas en este manual de instrucciones.** Las herramientas eléctricas son peligrosas cuando están en manos de personas inexpertas.
- **Conserve las herramientas eléctricas y los accesorios. Controle la alineación de las piezas móviles. Cerciórese de que ninguna pieza esté rota. Controle el montaje y todos los elementos que puedan afectar el funcionamiento de la herramienta. Si una pieza se encuentra dañada, hágala reparar antes de utilizar la herramienta.** Muchos accidentes se producen porque no se ha realizado un mantenimiento adecuado de las herramientas.
- **Mantenga sus herramientas limpias y bien afiladas.** Si la herramienta de corte está bien afilada y limpia, es menos probable que se bloquee y podrá controlarla mejor.
- **Utilice la herramienta eléctrica, los accesorios, las puntas de atornillar, etc. siguiendo las presentes instrucciones de uso, teniendo en cuenta las características de uso y el trabajo que deba realizar.** Para evitar situaciones peligrosas, utilice la herramienta eléctrica únicamente para las tareas para las que ha sido diseñada.
- **Mantenga las superficies de agarre y los manillares secos, limpios y sin aceite ni grasa.** Las superficies de agarre y los manillares escurridizos no permiten una manipulación y control seguros de la herramienta en situaciones inesperadas.
- **No exponga la batería o herramienta al fuego ni a una temperatura excesiva.** La exposición al fuego o a una temperatura superior a los 130 °C puede provocar una explosión.
- **Siga todas las instrucciones de carga y no cargue la batería o la herramienta fuera del rango de temperatura especificado en las instrucciones.** Una carga inadecuada o a una temperatura fuera del rango especificado puede dañar la batería y aumentar el riesgo de incendio.

MANTENIMIENTO

- **Las reparaciones deben quedar en manos de un técnico cualificado, utilizando únicamente piezas de recambio originales.** De este modo, podrá utilizar su herramienta eléctrica sin peligro.
- **Nunca repare baterías dañadas.** La reparación de baterías solo debería realizarla el fabricante o proveedores de servicio autorizados.

ADVERTENCIAS DE SEGURIDAD DEL CORTASETOS INALÁMBRICO

- **No utilice el cortasetos si las condiciones meteorológicas son adversas, especialmente si hay riesgo de rayos.** Esto reduce el riesgo de ser alcanzado por un rayo.
 - **Mantenga todos los cables de alimentación alejados de la zona de corte.** Los cables de alimentación pueden quedar ocultos en setos y arbustos, y sufrir cortes de forma accidental por la acción de la cuchilla.
 - **Utilice protección auditiva.** El uso de unos equipos de protección adecuados reducirá el riesgo de sufrir pérdidas auditivas.
 - **Sujete el cortasetos exclusivamente por las superficies de agarre aisladas, ya que la cuchilla puede entrar en contacto con cables eléctricos ocultos.** Si las cuchillas entran en contacto con un cable bajo tensión, es posible que las piezas metálicas del cortasetos también reciban esta tensión y provoquen una descarga eléctrica al usuario.
 - **Mantenga todas las partes de su cuerpo alejadas de la cuchilla.** No extraiga material de corte ni sujete el material que va a cortar cuando las cuchillas estén en movimiento. Las cuchillas siguen girando después de apagar el motor. En un momento de descuido, mientras utiliza el producto podrían ocurrir lesiones personales graves.
 - **Al retirar el material atascado o realizar el mantenimiento del cortasetos de pértiga, asegúrese de que todos los interruptores de alimentación están apagados y de que ha extraído el cortasetos de la batería.** Un accionamiento inesperado del cortasetos mientras se retira material atascado o durante una operación de mantenimiento puede provocar una lesión personal grave.
 - **Transporte el cortasetos agarrándolo por el mango, con la cuchilla parada y procurando no accionar ningún interruptor de encendido.** Un transporte adecuado del cortasetos reducirá el riesgo que se produzca un arranque accidental del equipo y de sufrir lesiones personales provocadas por las cuchillas.
 - **Coloque siempre la cubierta de la cuchilla cuando vaya a transportar o almacenar el cortasetos.** Una manipulación adecuada del cortasetos reducirá el riesgo de sufrir lesiones personales producidas por las cuchillas.
- ### INSTRUCCIONES DE SEGURIDAD ESPECÍFICAS PARA LAS HERRAMIENTAS SIN CABLE
- **Cargue la batería exclusivamente con el cargador recomendado por el fabricante.** Un cargador adaptado a determinada clase de batería puede producir un incendio si se emplea con una batería diferente.
 - **Sólo se debe emplear una clase de batería específica con una herramienta sin cable.** El uso de cualquier otra batería puede provocar un incendio.
 - **Cuando no utilice la batería, manténgala alejada de objetos metálicos como clips, monedas, llaves, tornillos, clavos o cualquier otro objeto que podría conectar los contactos entre sí.** Un cortocircuito en los contactos de la batería puede provocar quemaduras o incendios.
 - **Evite todo contacto con el líquido de la batería en caso de pérdida debida a una utilización incorrecta. Si llegara a producirse, enjuague inmediatamente con agua la zona afectada. Si sus ojos se ven afectados, consulte a un médico.** El líquido proyectado de una batería puede provocar irritaciones o quemaduras.
 - **No utilice una batería o una herramienta si está dañada o modificada.** Las baterías dañadas o modificadas pueden presentar un comportamiento impredecible que resulte en fuego, explosión o riesgo de lesión.

AVISOS DE SEGURIDAD ADICIONALES

- No intente cortar tallos o ramas de un tamaño superior a la capacidad de corte indicada en la tabla de especificaciones, ni tampoco tallos o ramas que sean claramente demasiado grandes para la cuchilla de corte. Utilice una sierra de mano no motorizada o una sierra escamondadora para podar tallos largos.
- Opere el aparato sujetándolo siempre con firmeza con las dos manos y por los dos mangos.
- Inspeccione la máquina antes de cada uso. Compruebe que todos los controles funcionan correctamente. Compruebe los cierres sueltos, las fugas de combustible, etc. Asegúrese de que todas las protecciones y mangos están unidos de forma correcta y segura. Sustituya cualquier pieza dañificada antes de su utilización. Compruebe si hay fugas en la batería.
- Compruebe los setos y arbustos en busca de objetos extraños, como vallas de alambre y cables ocultos.
- El producto solo se debe utilizar sobre el suelo y no se puede usar sobre una escalera ni sobre ningún otro soporte inestable.
- No utilice el producto en malas condiciones lumínicas. Utilice el aparato sólo con luz diurna o con una buena luz artificial. El operador debe tener una visión clara de la zona de trabajo para identificar peligros potenciales.
- El uso de dispositivos de protección auditiva reducirá su capacidad para oír posibles advertencias (gritos o alarmas). Hay que tener mucha atención a los peligros potenciales dentro y alrededor del área de trabajo. No se distraiga, y permanezca concentrado en la tarea en todo momento.
- Para reducir el riesgo de lesión asociado con el contacto con las piezas móviles, apague siempre el producto y extraiga la batería. Deje que se enfríen los dos. Asegúrese de que todas las partes móviles se han detenido por completo:
 - antes de ajustar la posición de trabajo del sistema de corte
 - antes del mantenimiento
 - antes de limpiar una obstrucción
 - antes de inspeccionar, limpiar o trabajar con el producto
 - antes de cambiar los accesorios
 - antes de dejar el producto sin vigilancia
 - antes de comprobar si se ha producido algún daño después de golpear un objeto
 - antes de llevar a cabo el mantenimiento
 - si el producto empieza a vibrar de forma anormal
- No fuerce el producto a través de arbustos densos. Esto puede hacer que las cuchillas se doblen y se ralenticen. Si las cuchillas se ralenticen, reduzca el ritmo de corte.
- Si el aparato se cae, sufre un impacto fuerte o empieza a vibrar de manera anormal, párelo inmediatamente y compruebe si está dañado o identifique el motivo de la vibración. Cualquier pieza dañada debe ser sustituida o reparada adecuadamente por un centro de servicio autorizado.
- Utilice el producto únicamente a temperaturas comprendidas entre 0 °C y 40 °C.
- Guarde el producto en un lugar donde la temperatura ambiente esté comprendida entre 0 °C y 40 °C.

- El uso prolongado de una herramienta puede causar o agravar lesiones. Si utiliza el producto durante periodos de tiempo prolongados, asegúrese de realizar pausas de forma periódica.

ADVERTENCIAS DE SEGURIDAD DE LA BATERÍA ADICIONAL

- Para reducir el riesgo de incendio, lesiones personales y daños al producto provocados por un cortocircuito, nunca sumerja el producto, la batería o el cargador en líquido, ni permita que un líquido fluya por su interior. Los fluidos corrosivos o conductivos, como el agua de mar, ciertos productos químicos industriales y blanqueadores o lejías que contienen, etc., Pueden causar un cortocircuito.
- Cargue la batería en un lugar donde la temperatura ambiente esté comprendida entre 10 °C y 38 °C.
- Guarde la batería en un lugar donde la temperatura ambiente esté comprendida entre 0 °C y 20 °C.
- Utilice la batería en un lugar donde la temperatura ambiente esté comprendida entre 0 °C y 40 °C.

TRANSPORTE Y ALMACENAMIENTO

- Apague la unidad y retire la batería. Asegúrese de que todas las partes móviles se han detenido por completo. Deje que el producto y la batería se enfríen antes de guardarlos o transportarlos.
- Limpie todo el material extraño que pueda permanecer en el producto. No almacene ni transporte el producto con las baterías instaladas. Extraiga la batería y fijela de forma independiente. Guarde en una zona seca y bien ventilada, a la que no puedan acceder los niños. Almacene el producto lejos de agentes corrosivos como sales de deshielo y productos químicos de jardín. No guarde el producto a la intemperie.
- Coloque el protector de la cuchilla antes de almacenar el producto o durante su transporte.
- Para el transporte, asegure el producto para que no se mueva ni se caiga y evite así lesionar a alguien o dañar el producto.

TRANSPORTE DE BATERÍAS DE LITIO

- Transporte de baterías de acuerdo con las disposiciones y reglamentos nacionales y locales.
- Cumpla todos los requisitos especiales relativos al embalaje y etiquetado cuando el transporte de baterías se lleve a cabo por un tercero. Asegúrese de que, durante el transporte, las baterías no entran en contacto con otras baterías o materiales conductores protegiendo los conectores expuestos con tapones o tapas aislantes de material no conductor. No transporte baterías que tengan grietas o fugas. Consulte a la empresa de transporte para obtener más asesoramiento.

MANTENIMIENTO

- Utilice sólo piezas y accesorios de recambio originales del fabricante. Si no lo hace podría ocurrir un mal funcionamiento, podrían producirse daños o podría quedar anulada la garantía.
- Las reparaciones requieren tener mucho cuidado y conocimiento y sólo debe realizarse por un técnico de servicio calificado. Solicite la reparación del producto únicamente en un centro de servicio autorizado.

- Las cuchillas son muy afiladas. Para evitar lesiones personales, extreme las precauciones cuando limpie, lubrique, coloque o retire la funda de la cuchilla.
- Apague la unidad y retire la batería. Deje que se enfríen los dos. Asegúrese de que todas las partes móviles se han detenido completamente antes de cualquier tarea de mantenimiento o limpieza.
- Usted puede realizar los ajustes y reparaciones descritos en este manual del usuario. Para cualquier otra reparación del producto, solicite su realización únicamente a un centro de servicio autorizado.
- Después de cada uso, limpie la estructura y los mangos del aparato con un paño seco y suave. Cualquier pieza dañada debe ser sustituida o reparada adecuadamente por un centro de servicio autorizado.
- Después de cada uso, limpie los restos de las láminas con un cepillo duro y, a continuación, aplique cuidadosamente un lubricante que prevenga el óxido antes de volver a colocar el protector de la lámina. Utilice un pulverizador lubricante y anticorrosivo para aplicar una capa uniforme y reducir el riesgo de lesión personal debido al contacto con las cuchillas. Para más información sobre el producto pulverizador apropiado, consulte a su centro de asistencia autorizado local.
- Compruebe todas las tuercas, pernos y tornillos antes de cada uso y a intervalos frecuentes para verificar si están bien apretados y asegurarse de que el producto se pueda utilizar de forma segura. Cualquier pieza dañada debe ser sustituida o reparada adecuadamente por un centro de servicio autorizado.



Para evitar lesiones graves, no toque las cuchillas.



Sujete siempre el producto con las dos manos cuando lo utilice.



No la esponga a la lluvia o a lugares húmedos.



Tenga cuidado con los objetos volátiles o lanzados. Mantenga a todos los transeúntes, especialmente niños y mascotas, a una distancia mínima de 15 m de la zona de trabajo.



Quite las baterías antes de empezar ningún trabajo con el producto.



Nivel de potencia acústica garantizado

No deseche los residuos de baterías, aparatos eléctricos y electrónicos como residuos municipales no clasificados. Los residuos de baterías, aparatos eléctricos y electrónicos se deben recoger de forma independiente. Los residuos de baterías, acumuladores y fuentes de luz se deben retirar de los aparatos. Consulte a sus autoridades locales o a su vendedor para obtener información sobre reciclaje y puntos de recogida. De acuerdo con lo establecido en las normativas locales, los establecimientos minoristas pueden tener la obligación de recuperar los residuos de baterías, aparatos eléctricos y electrónicos de forma gratuita. Su contribución a la hora de reutilizar y reciclar los residuos de baterías y los residuos de aparatos eléctricos y electrónicos ayuda a reducir la demanda de materias primas. Los residuos de baterías, en especial las que contienen litio, y los residuos de aparatos eléctricos y electrónicos contienen materiales valiosos que se pueden reciclar, y que podrían afectar de forma negativa al medio ambiente y a la salud humana si no se desechan de un modo medioambientalmente responsable. Si lo hubiera, elimine cualquier dato personal de los residuos de los aparatos.



CONOZCA SU PRODUCTO

Véase la página 113.

1. Protección del disco
2. Mango delantero
3. Gatillo delantero
4. Gatillo
5. Mango trasero
6. Hoja
7. Barredora de escombros HEDGESWEEP
8. Cubierta de la cuchilla
9. Manual de instrucciones
10. Batería
11. Cargador

SÍMBOLOS



Advertencia



Lea y entienda todas las instrucciones antes de utilizar el producto. Siga todas las advertencias e instrucciones de seguridad.



Utilice equipos de protección ocular, auditiva y para la cabeza.



Utilice guantes protectoras antideslizantes resistentes.



Lleve puesto calzado de seguridad antideslizante cuando utilice el producto.

IT TRADUZIONE DELLE ISTRUZIONI ORIGINALI

La progettazione di questo tagliasièpi senza cavo è stata effettuata dando massima priorità a criteri di sicurezza, prestazioni e affidabilità.

UTILIZZO RACCOMANDATO

Il tagliasièpi senza cavo è pensato per tagliare e potare siepi, cespugli e vegetazione simile.

Prodotto disegnato per utilizzo privato o domestico. Il prodotto è pensato solo per uso esterno, in condizioni bene illuminate e asciutte. Il prodotto non è pensato per tagliare siepi, cespugli e simili con diametri superiori alla sua capacità di taglio.

Non utilizzare per altri scopi.

AVVERTENZE DI SICUREZZA GENERALI DEL PRODOTTO

⚠ AVVERTENZA! Leggere attentamente tutte le avvertenze, le istruzioni e le specifiche fornite con l'apparecchio e fare riferimento alle illustrazioni. La mancata osservanza delle istruzioni elencate sotto può causare folgorazione, incendio e/o lesioni gravi.

Conservare le presenti avvertenze ed istruzioni per poterle consultare in seguito.

Il termine "apparecchio elettrico" nelle avvertenze si riferisce al prodotto alimentato con un cavo o al prodotto alimentato con una batteria (senza fili).

SICUREZZA DELL'AMBIENTE DI LAVORO

- **Mantenere pulito e ben illuminato l'ambiente di lavoro.** Aree non ordinate o non illuminate possono causare incidenti.
- **Non utilizzare apparecchi elettrici in un ambiente in cui vi siano sostanze esplosive, ad esempio in prossimità di liquidi, di gas o di polveri infiammabili.** Le scintille provocate dagli apparecchi elettrici possono appiccare il fuoco o farle esplodere.
- **Quando si utilizza un apparecchio elettrico, tenere bambini, estranei ed animali domestici lontani dall'area di lavoro.** Potrebbero infatti essere causa di distrazione e fare perdere il controllo dell'apparecchio.

SICUREZZA ELETTRICA

- **La spina dell'apparecchio elettrico deve essere adeguata alla presa in cui verrà inserita. Non intervenire mai sulla spina. Non utilizzare mai adattatori con apparecchi elettrici messi a terra o a massa.** In questo modo è possibile evitare i rischi di scosse elettriche.
- **Evitare eventuali contatti con le superfici messe a terra o a massa (vale a dire tubi, radiatori, cucine, frigoriferi, ecc.).** I rischi di scosse elettriche aumentano se una parte del proprio corpo è a contatto con superfici messe a terra o a massa.
- **Non esporre l'apparecchio elettrico alla pioggia o all'umidità.** Infatti, i rischi di scosse elettriche aumentano se all'interno di un apparecchio elettrico vi è un'infiltrazione di acqua.
- **Controllare che il cavo d'alimentazione sia in buono stato. Non tenere l'apparecchio per il**

cavo d'alimentazione e non tirare mai il cavo per scollegarlo dall'alimentazione elettrica. Mantenere il cavo d'alimentazione lontano da qualsiasi fonte di calore, olio, oggetti taglienti ed organi in movimento. I rischi di scosse elettriche aumentano se il cavo è danneggiato o aggrovigliato.

- **Qualora si lavori all'esterno, utilizzare solo prolunghe concepite per un tale impiego.** In questo modo è possibile evitare i rischi di scosse elettriche.
- **Se non è possibile evitare di utilizzare l'apparecchio in un ambiente umido, collegarsi ad un impianto di alimentazione elettrica protetto da un interruttore differenziale (RCD).** L'utilizzo di un interruttore RCD limita i rischi di scosse elettriche.

SICUREZZA PERSONALE

- **Durante l'utilizzo di un apparecchio elettrico, rimanere vigili, prestare molta attenzione a ciò che si fa e agire con buon senso. Non utilizzare l'apparecchio elettrico quando si è stanchi, sotto l'effetto di alcol o di droghe oppure se si stanno assumendo medicinali.** Non dimenticare mai che basta un secondo di distrazione per ferirsi in modo grave.
- **Utilizzare dispositivi di protezione. Proteggere sempre gli occhi.** A seconda delle situazioni, indossare anche una maschera antipolvere, calzature antiscivolo, un casco o protezioni uditive, onde evitare i rischi di lesioni fisiche gravi.
- **Evitare qualunque avvio accidentale. Assicurarsi che l'interruttore sia in posizione di "arresto" prima di collegare l'apparecchio ad una presa o di inserire la batteria, nonché quando si intende afferrare o trasportare l'apparecchio.** Onde evitare i rischi di incidenti, non spostare l'apparecchio mantenendo il dito sul grilletto e non collegarlo all'alimentazione elettrica né inserire la batteria se l'interruttore si trova in posizione di "marcia".
- **Prima di avviare l'apparecchio, togliere le chiavi di serraggio.** Una chiave di serraggio che rimane inserita in un elemento mobile dell'apparecchio può provocare gravi lesioni fisiche.
- **Mantenersi sempre in equilibrio. Rimanere bene in equilibrio sulle gambe e non distendere troppo lontano le braccia.** Una posizione di lavoro stabile consente di avere un maggiore controllo dell'apparecchio nel caso in cui si verifichi una situazione improvvisa.
- **Indossare un abbigliamento adatto. Non indossare indumenti ampi o gioielli. Tenere capelli e indumenti lontano dalle parti in movimento.** Gli abiti ampi, i gioielli e i capelli lunghi potrebbero rimanere impigliati nelle parti in movimento dell'apparecchio.
- **Nel caso in cui l'apparecchio abbia in dotazione un dispositivo di aspirazione della polvere, assicurarsi che quest'ultimo venga installato ed utilizzato in modo corretto.** In questo modo è possibile evitare i rischi di incidenti.
- **Non lasciare che la familiarità acquisita con l'uso frequente degli utensili sfoci in un'eccessiva sicurezza di sé e nell'ignoranza dei principi di sicurezza dell'utensile.** Un utilizzo disattento può causare lesioni gravi in una frazione di secondo.

UTILIZZO E MANUTENZIONE DEGLI APPARECCHI ELETTRICI

- **Non forzare l'apparecchio. Utilizzare l'apparecchio adeguato al lavoro da effettuare.** L'apparecchio offrirà migliori prestazioni e sarà più sicuro se utilizzato al regime per il quale è stato concepito.
- **Non utilizzare un apparecchio elettrico se l'interruttore non ne consente l'avvio e l'arresto.** Un apparecchio che non può essere acceso e spento correttamente è pericoloso e pertanto deve essere assolutamente riparato.
- **Prima di effettuare regolazioni, di cambiare gli accessori o di riporre l'utensile elettrico scollegare la spina dalla presa di corrente e/o rimuovere il pacco batteria, se staccabile, dall'utensile.** In questo modo è possibile ridurre i rischi di un'azione involontario dell'apparecchio.
- **Riporre gli apparecchi elettrici fuori dalla portata dei bambini. Non consentire l'utilizzo dell'apparecchio a persone che non lo conoscono o che non sono venute a conoscenza delle presenti norme di sicurezza.** Gli apparecchi elettrici diventano strumenti pericolosi nelle mani di persone che non sanno utilizzarli.
- **Eseguire la manutenzione degli utensili elettrici e relativi accessori. Controllare l'allineamento dei componenti mobili. Verificare che non vi siano componenti rotti. Controllare il montaggio ed altri eventuali fattori importanti per il corretto funzionamento dell'apparecchio. In caso di componenti danneggiati, fare riparare l'apparecchio prima di utilizzarlo.** Molti incidenti sono dovuti ad una cattiva manutenzione degli apparecchi.
- **Mantenere gli apparecchi sempre puliti ed affilati.** Se un utensile di taglio viene mantenuto pulito e adeguatamente affilato, le probabilità che si blocchi saranno inferiori e l'utilizzatore potrà conservare un maggiore controllo dell'apparecchio.
- **Utilizzare l'apparecchio elettrico, i relativi accessori, gli inserti, ecc. attenendosi alle presenti indicazioni per l'uso, tenendo conto delle condizioni di utilizzo e delle applicazioni previste.** Onde evitare situazioni di pericolo, utilizzare l'apparecchio elettrico solo per i lavori per cui è stato concepito.
- **Tenere maniglie e superfici delle impugnature asciutte, pulite e prive di olii e grassi.** Maniglie e impugnature scivolose non consentono l'utilizzo e il controllo in sicurezza dell'utensile nelle situazioni impreviste.

NORME DI SICUREZZA SPECIFICHE PER GLI APPARECCHI A BATTERIA

- **Per ricaricare la batteria dell'apparecchio, utilizzare esclusivamente il caricabatteria raccomandato dal produttore.** Un caricabatteria adatto ad un certo tipo di batteria potrebbe provocare un incendio se utilizzato con un altro tipo di batteria.
- **Con un apparecchio a batteria deve essere utilizzato esclusivamente un tipo di batteria specifico.** L'impiego di una batteria non conforme può provocare un incendio.
- **Quando la batteria non viene utilizzata, conservarla a distanza da oggetti metallici, come ad esempio fermagli, monete, chiavi, viti, chiodi o qualunque altro oggetto che potrebbe fare da ponte tra i due poli.** La messa in cortocircuito dei poli della batteria può provocare ustioni o incendi.

- **Evitare qualunque contatto con il liquido della batteria in caso di fuoriuscite dovute ad un utilizzo improprio. Nel caso in cui si verifichi questo tipo di situazione, sciacquare abbondantemente con acqua pulita la zona interessata. In caso di contatto con gli occhi, consultare un medico.** Il liquido fuoriuscito dalla batteria può provocare irritazioni o ustioni.
- **Non usare un pacco batteria o un utensile che sia stato danneggiato o modificato.** Le batterie danneggiate o modificate possono presentare un comportamento imprevedibile, risultante in incendi, esplosioni o rischio di lesioni.
- **Non esporre un pacco batteria o utensile al fuoco o a temperature eccessive.** L'esposizione al fuoco o a temperature superiori a 130 °C può causare esplosioni.
- **Seguire tutte le istruzioni per il caricamento e non caricare il pacco batteria o l'utensile al di fuori dell'intervallo di temperatura specificato nelle istruzioni.** Un caricamento errato o svolto a temperature al di fuori dell'intervallo specificato può danneggiare la batteria e aumentare il rischio di incendi.

MANUTENZIONE

- **Eventuali riparazioni devono essere effettuate da un tecnico qualificato, che utilizzerà solo parti di ricambio originali.** In questo modo sarà possibile utilizzare l'apparecchio elettrico in totale sicurezza.
- **Non effettuare mai la manutenzione dei pacchi batteria danneggiati.** La manutenzione dei pacchi batteria deve essere effettuata solo dal produttore o da fornitori di assistenza autorizzati.

AVVERTENZE DI SICUREZZA PER IL TAGLIASIEPI SENZA CAVO

- **Non utilizzare il potaspieci con avverse condizioni meteo, specialmente in caso di fulmini.** Questo riduce il rischio di essere colpiti dai fulmini.
- **Tenere tutti i cavi di corrente lontano dall'area di taglio.** I cavi di corrente possono essere nascosti nelle siepi e nei cespugli e possono essere accidentalmente essere tagliati dalla lama.
- **Indossare cuffie di protezione.** Una attrezzatura protettiva adeguata ridurrà il rischio di perdita dell'udito.
- **Tenere il potaspieci solo tramite la superficie antiscivolo isolata, perché questa potrebbe entrare in contatto con dei fili elettrici nascosti.** Il contatto delle lame può mettere sotto tensione a loro volta le parti metalliche dell'elettrotensile, con conseguente scossa elettrica per l'operatore.
- **Tenere tutte le parti del corpo lontano dalla lama.** Non rimuovere materiale tagliato o materiale da tagliare che si sta reggendo con le mani mentre le lame sono in movimento. Le lame continuano a ruotare dopo che il motore si è spento. Un momento di disattenzione mentre si mette in funzione il prodotto potrà causare gravi lesioni personali.
- **Nel rimuovere il materiale bloccato o durante la manutenzione del tagliaspieci, accertarsi che tutti gli interruttori di alimentazione siano spenti e che il pacco batterie sia rimosso o scollegato.** Un azionamento imprevisto del potaspieci durante la rimozione del materiale inceppato o la manutenzione potrebbe causare gravi lesioni personali.

- Trasportare il potasiepi con una lama bloccata, prestando attenzione a non attivare l'interruttore di alimentazione. Un corretto trasporto del potasiepi ridurrà il rischio di avvisi improvvisi e di conseguenti lesioni personali causate dalle lame.
- Per il trasporto o la conservazione del potasiepi, montare il coperchio della lama. Una corretta gestione del potasiepi ridurrà il rischio di lesioni personali causate dalle lame.

ULTERIORI AVVERTENZE DI SICUREZZA

- Non provare a tagliare gli steli o i rametti che hanno uno spessore di grandezza superiore a quello indicato nella tabella delle specifiche o che sono ovviamente troppo grandi per alimentare la lama di taglio. Utilizzare una sega non operata elettricamente o una sega per potatura per tagliare rami grandi.
- Mentre si mette in funzione il prodotto, reggerlo sempre con entrambe le mani dai due manici.
- Controllare l'utensile prima di ogni utilizzo. Controllare il corretto funzionamento di tutti i comandi. Controllare eventuali parti di collegamento allentate, perdite di carburante, ecc. Assicurarsi che parolame e manici siano montati accuratamente e correttamente. Sostituire le parti danneggiate prima dell'utilizzo. Controllare che il gruppo batterie non perda.
- Controllare che nelle siepi e i cespugli non ci siano oggetti estranei, come recensioni e cavi nascosti.
- Il prodotto deve essere utilizzato solo su terreno e non sulle scale o altri supporti instabili.
- Non utilizzare l'utensile in condizioni di scarsa illuminazione. Utilizzare il prodotto solo alla luce del giorno o con una buona illuminazione artificiale. L'area di lavoro deve essere pulita per essere in grado di individuare potenziali rischi.
- L'utilizzo di dispositivi di protezione ridurrà la capacità di ascoltare eventuali segnali d'allarme (grida o avvertimenti). Fare particolare attenzione a potenziali rischi attorno e all'interno dell'area di lavoro. Evitare distrazioni e rimanere sempre concentrati sul lavoro.
- Per ridurre il rischio di lesioni associate al contatto con le parti mobili, spegnere sempre il prodotto e rimuovere il pacco batteria. Lasciare che entrambi si raffreddino. Assicurarsi che tutte le parti in movimento si siano arrestate:
 - prima di regolare la posizione di lavoro degli utensili di taglio
 - prima degli interventi di assistenza
 - prima di rimuovere un blocco
 - prima di svolgere le operazioni di controllo o pulizia sul prodotto o prima di utilizzarlo
 - prima di cambiare accessori
 - prima di lasciare il prodotto incustodito
 - prima di verificare la presenza di danni dopo aver colpito un oggetto
 - prima di eseguire la manutenzione
 - se il prodotto inizia a vibrare in maniera anormale
- Non forzare cespugli pesanti nel prodotto. Ciò potrà causare alle lame di rimanere inceppate e di rallentare. Se le lame rallentano, ridurre il passo.
- Se il prodotto cade, subisce impatti pesanti o inizia a vibrare in maniera anomala, arrestarlo e controllare

eventuali danni per identificare la causa delle vibrazioni. Riparare eventuali parti danneggiate o farle sostituire da un centro servizi autorizzato.

- Azionare il prodotto solo con temperature tra 0 °C e 40 °C.
- Conservare il prodotto in una posizione in cui la temperatura ambiente è compresa tra 0 °C e 40 °C.
- Il prolungato utilizzo dell'utensile potrà causare o aggravare lesioni. Quando il prodotto viene utilizzato per periodi prolungati, effettuare brevi interruzioni.

AVVERTENZE AGGIUNTIVE PER LA SICUREZZA DELLA BATTERIA

- Per ridurre il rischio di incendio, lesioni personali e danni al prodotto dovuti a corto circuito, non immergere mai il prodotto, il pacco batteria o il caricabatterie in liquidi, né favorire la penetrazione di liquidi al loro interno. I fluidi corrosivi o conduttori come acqua salata, alcuni agenti chimici, agenti candeggianti o prodotti contenenti agenti candeggianti potrebbero provocare un corto circuito.
- Caricare il pacco batteria in una posizione in cui la temperatura ambiente è compresa tra 10 °C e 38 °C.
- Conservare il pacco batteria in una posizione in cui la temperatura ambiente è compresa tra 0 °C e 20 °C.
- Utilizzare il pacco batteria in una posizione in cui la temperatura ambiente è compresa tra 0 °C e 40 °C.

TRASPORTO E RIPONIMENTO

- Spegner e rimuovere la batteria. Assicurarsi che tutte le parti in movimento si siano arrestate. Lasciare raffreddare il prodotto e il pacco batteria prima di riporlo o trasportarlo.
- Rimuovere eventuali materiali di scarto dal prodotto. Non conservare o trasportare il prodotto quando è installato il pacco batteria. Rimuovere il pacco batteria e stringerlo separatamente. Riporre in un luogo asciutto e ben ventilato non accessibile ai bambini. Tenere il prodotto lontano da agenti corrosivi come agenti chimici da giardino e sali scongelanti. Non conservare il prodotto all'aperto.
- Montare il proteggilama prima di conservare il prodotto o durante il trasporto.
- Per trasportare il prodotto, assicurarlo da eventuali movimenti o cadute per evitare lesioni a persone o danni al prodotto.

TRASPORTO BATTERIE AL LITIO

- Trasportare le batterie rispettando quanto indicato dalle norme e regolamentazioni locali.
- Far rispettare quanto indicato sulle etichette e sull'involucro quando la batteria viene trasportata da terzi. Assicurarsi che le batterie non entrino in contatto con altre batterie o con materiali conduttivi mentre si trasportano proteggendo connettori esposti con tappi o nastro isolante e non conduttivo. Non trasportare batterie rotte o che perdono liquidi. Consultare la ditta produttrice per eventuali ulteriori consigli.

MANUTENZIONE

- Utilizzare solo parti di ricambio, accessori e dispositivi originali della ditta produttrice. In caso contrario si potranno causare lesioni, prestazioni basse e la garanzia verrà invalidata.

- Le operazioni di manutenzione devono essere svolte con grande attenzione e accortezza solo da un tecnico qualificato. Far riparare il prodotto esclusivamente da un centro assistenza autorizzato.
- Le lame di taglio sono estremamente affilate. Per evitare lesioni personali, prestare particolare attenzione durante la pulizia, la lubrificazione, il montaggio o la rimozione del coperchio della lama.
- Spegnerne e rimuovere la batteria. Lasciare che entrambi si raffreddino. Assicurarsi che tutte le parti mobili si siano arrestate completamente prima di qualsiasi attività di pulizia o manutenzione.
- L'operatore potrà fare le regolazioni e riparazioni descritte nel presente manuale. Per altre riparazioni, portare il prodotto esclusivamente presso un centro assistenza autorizzato.
- Dopo ogni utilizzo, pulire il corpo dell'utensile e le impugnature del prodotto con un panno asciutto morbido. Riparare eventuali parti danneggiate o farle sostituire da un centro servizi autorizzato.
- Dopo ogni utilizzo, rimuovere gli scarti dalle lame con una spazzola rigida, e quindi applicare attentamente un lubrificante per prevenire la ruggine prima di reinstallare il proteggi lame. Utilizzare uno spray lubrificante antiruggine consigliato, equamente distribuito per ridurre il rischio di lesioni personali dal contatto con le lame. Per informazioni su un prodotto spray adatto, controllare con il proprio centro servizi autorizzato.
- Controllare che tutti i dadi, i bulloni e le viti siano adeguatamente serrati prima di ogni utilizzo e a intervalli frequenti, per accertarsi che il prodotto possa funzionare in sicurezza. Riparare eventuali parti danneggiate o farle sostituire da un centro servizi autorizzato.



Durante l'utilizzo del prodotto indossare delle calzature di sicurezza antiscivolo.



Per prevenire gravi lesioni, non toccare le lame di taglio.



Durante l'utilizzo tenere sempre il prodotto con entrambe le mani.



Non esporre a pioggia o umidità.



Fare attenzione ad oggetti scagliati o lanciati dall'utensile. Tenere tutti i presenti, in particolare bambini e animali domestici, ad almeno 15 m dall'area operativa.



Rimuovere la batteria prima di iniziare qualsiasi lavoro sul prodotto.



Livello di potenza acustica garantito

Non smaltire le batterie scariche e altre apparecchiature elettriche ed elettroniche come normali rifiuti. Le batterie scariche e i dispositivi elettrici ed elettronici dovranno essere raccolti separatamente. Le batterie usate, gli accumulatori e le fonti luminose non più utilizzabili dovranno essere rimossi dall'apparecchiatura. Consultare l'autorità locale o il rivenditore per consigli sullo smaltimento e il punto di raccolta. In base alle normative locali i rivenditori potrebbero avere l'obbligo di riprendersi le batterie usate e le apparecchiature elettriche ed elettroniche gratuitamente. Il vostro contributo al riciclaggio delle batterie e delle apparecchiature elettriche ed elettroniche aiuta a ridurre la richiesta di materie prime. Le batterie usate, in particolare quelle che contengono litio e le apparecchiature elettriche ed elettroniche contengono materiali preziosi e riciclabili che potrebbero avere un impatto avverso sull'ambiente e la salute umana, se non smaltiti in un modo ecocompatibile. Eliminare i dati personali, se presenti, dalle apparecchiature da buttare.



FAMILIARIZZARE CON IL PRODOTTO

Vedere pagina 113.

1. Protezione lama
2. Manico anteriore
3. Grilletto anteriore
4. Grilletto
5. Manico posteriore
6. Lama
7. Aspiratore di detriti HEDGESWEEP
8. Coperchio lama
9. Manuale dell'operatore
10. Batteria
11. Caricatore

SIMBOLI



Avvertenza



Prima di utilizzare il prodotto leggere e comprendere tutte le istruzioni. Osservare tutte le avvertenze e le istruzioni di sicurezza.



Indossare una protezione per testa, occhi e mani.



Indossare guanti di protezione resistenti e anti-scivolo.

NL VERTALING VAN DE ORIGINELE INSTRUCTIES

Bij het ontwerp van uw snoerloze heggenschaar hebben veiligheid, prestaties en betrouwbaarheid de hoogste prioriteit verkregen.

VOORGESCHREVEN GEBRUIK

De snoerloze heggenschaar is ontworpen voor het knippen en trimmen van heggen, struiken en soortgelijke vegetatie.

Het product is geschikt voor huishoudelijk gebruik. Het product is uitsluitend bedoeld voor gebruik buitenshuis in een droge en goed verlichte omgeving. Het apparaat is niet bedoeld voor het snoeien van heggen, struiken en soortgelijke vegetatie met een diameter die groter is dan de snijcapaciteit.

Gebruik het product niet voor andere doeleinden.

ALGEMENE VEILIGHEIDSWAARSCHUWINGEN VOOR HET PRODUCT

⚠ WAARSCHUWING! Lees aandachtig alle waarschuwingen, aanwijzingen en specificaties die bij deze machine worden meegeleverd en bestudeer de afbeeldingen. Wanneer niet alle onderstaande instructies worden opgevolgd, kan dit leiden tot elektrische schok, brand en/of ernstig letsel.

Bewaar deze waarschuwingen en voorschriften zorgvuldig om ze ook later te kunnen inzien.

De term "elektrisch apparaat" in de waarschuwingen heeft betrekking op uw elektrische gereedschap dat ofwel wordt aangedreven door een stroomvoorziening (via een kabel), of werkt op een accu (snoerloos).

VEILIGHEID VAN DE WERKPLEK

- **Zorg dat uw werkmute opgeruimd en goed verlicht is.** Rommelige of donkere plaatsen nodigen uit tot ongevallen.
- **Gebruik elektrische apparaten nooit in een explosieve atmosfeer, bijvoorbeeld in de buurt van ontvlambare vloeistoffen, van gassen of van stofdeeltjes.** Door de vonken van elektrische apparaten kunnen deze in brand raken of ontploffen.
- **Houd kinderen, omstanders en huisdieren op afstand als u een elektrisch apparaat gebruikt.** Zij zouden u kunnen afleiden, waardoor u de macht over het apparaat verliest.

ELEKTRISCHE VEILIGHEID

- **De stekker van een elektrisch apparaat moet zonder meer passen op het stopcontact.** Ga niet aan de stekker knoeien. Gebruik nooit een verloopstekker voor elektrische apparaten met aardaansluiting. Zo beperkt u de kans op elektrische schokken.
- **Voorkom aanraking van gearde oppervlakken (bijv. buizen, radiatoren, fornuizen, koelkasten, enz.).** Het gevaar voor elektrische schokken wordt groter als een deel van uw lichaam in aanraking is met een gearde oppervlak.
- **Stel een elektrisch apparaat niet bloot aan regen of vochtigheid.** Het gevaar voor elektrische schokken wordt groter als er water binnentreedt in een elektrisch apparaat.
- **Houd het netsnoer in goede staat.** Til uw apparaat nooit op aan het netsnoer en probeer niet om de stekker uit het stopcontact te halen door aan het snoer te trekken. Houd het snoer uit de buurt van warmtebronnen, olie, snijdende voorwerpen en

bewegende onderdelen. Het gevaar voor elektrische schokken wordt groter als het netsnoer beschadigd is of in de knoop zit.

- **Bij gebruik buitenshuis moeten eventuele verlengsnoeren geschikt zijn voor een dergelijk gebruik.** Zo beperkt u de kans op elektrische schokken.
- **Als u niet anders kunt dan het apparaat in een vochtige omgeving gebruiken, sluit het dan in ieder geval aan op een stroomgroep die beveiligd is met een aardlekschakelaar.** Door toepassing van een aardlekschakelaar wordt het gevaar voor elektrische schokken beperkt.

PERSONLIJKE VEILIGHEID

- **Blijf attent, kijk goed naar wat u doet en gebruik uw gezond verstand als u een elektrisch apparaat gebruikt.** Gebruik het elektrisch apparaat niet wanneer u vermoeid bent of onder invloed bent van drank of drugs, of wanneer u medicijnen gebruikt. Vergeet niet dat zelfs één seconde onoplettendheid ernstig lichamelijk letsel kan veroorzaken.
- **Gebruik persoonlijke beschermingsmiddelen. Bescherm altijd uw ogen.** Draag afhankelijk van de omstandigheden ook een stofmasker, schoenen met antislipzolen, een veiligheidshelm of gehoorbeschermers om gevaar voor ernstig lichamelijk letsel te beperken.
- **Zorg dat het apparaat niet ongewild in werking kan treden.** Zorg ervoor dat de schakelaar op "uit" staat voordat u het apparaat op de stroom aansluit of het accupak in het apparaat steekt of wanneer u het apparaat meeneemt of vervoert. Beperk het gevaar voor ongelukken: verplaats het apparaat niet terwijl u een vinger op de schakelaar houdt en steek de stekker niet in het stopcontact / steek het accupak niet in het apparaat als de schakelaar op "aan" staat.
- **Verwijder de stelsleutels voordat u het apparaat in werking zet.** Een achtergebleven stelsleutel die aan een bewegend onderdeel vastzit, kan ernstig lichamelijk letsel veroorzaken.
- **Zorg dat u altijd uw evenwicht goed kunt bewaren.** Ga altijd stevig op uw benen staan en reik niet te ver weg met uw arm. Door een stabiele werkpositie bent u beter in staat om uw gereedschap in bedwang te houden als er iets onverwachts gebeurt.
- **Draag geschikte kleding.** Draag geen wijde kleding of sierraden. Houd uw haren en kleding uit de buurt van bewegende delen. Wijde kleding, sierraden of lange haren kunnen beklemd raken in de bewegende delen.
- **Zorg ervoor dat het stofzuigstelsel goed is geïnstalleerd en ook wordt gebruikt wanneer het apparaat daarmee is uitgerust.** Zo voorkomt u gevaar voor ongelukken.
- **Zorg ervoor dat het frequent gebruik van een vertrouwd zijn met gereedschappen u niet laks maakt als het gaat om het opvolgen van de bijbehorende veiligheidsprincipes.** Een nochalante handeling kan in een fractie van een seconde ernstig letsel veroorzaken.

GEBRUIK EN ONDERHOUD VAN APPARATEN MET SNOER

- **U mag het apparaat niet overbelasten.** Gebruik een apparaat dat geschikt is voor het werk dat u gaat doen. Uw elektrisch apparaat zal veiliger en zekerder werken als u het gebruikt op het toerental waarvoor het berekend is.
- **Gebruik een elektrisch apparaat niet als u het niet meer met de schakelaar aan en uit kunt zetten.** Een apparaat dat niet meer op de normale manier aan-en uitgezet kan worden, is gevaarlijk en moet absoluut worden gerepareerd.

- **Koppel de stekker los van de stroombron en/ of verwijder de accu, indien deze afneembaar is, van het gereedschap voordat u instellingen aanpast, accessoires wijzigt of voordat u elektrisch gereedschap opbergt.** Zo verkleint u het risico dat het apparaat ongewild in werking treedt.
- **Berg elektrische apparaten weg buiten bereik van kinderen.** Laat het apparaat niet gebruiken door personen die het apparaat niet kennen of geen kennis hebben genomen van de veiligheidsvoorschriften. Elektrische apparaten zijn gevaarlijk in handen van onervaren personen.
- **Het onderhoud van elektrisch gereedschap en accessoires.** Controleer de uitlijning van de bewegende delen. Kijk of er geen onderdelen zijn gebroken. Controleer de montage en alle andere elementen die de goede werking van het gereedschap kunnen beïnvloeden. Als er iets beschadigd is, dient u uw apparaat eerst te laten herstellen voordat u het weer gebruikt. Ongelukken zijn vaak te wijten aan de slechte staat van onderhoud van het gereedschap.
- **Houd uw gereedschap altijd scherp en schoon.** Wanneer het mes van snijgereedschap goed scherp en schoon is, bestaat er minder kans dat het geblokkeerd raakt. Ook kunt u het apparaat dan beter onder controle houden.
- **Gebruik het elektrisch apparaat, de accessoires, de hulpstukken, enz. in overeenstemming met deze gebruiksvorschriften en houd daarbij rekening met de gebruiksomstandigheden en de gewenste toepassingen.** Gebruik een elektrisch apparaat uitsluitend voor de toepassingen waarvoor het bestemd is om gevaarlijke situaties te vermijden.
- **Zorg dat handvatten en handgrepen droog, schoon en vrij van olie en vet blijven.** Gladde handvatten en handgrepen maken het onmogelijk het gereedschap in onverwachte situaties veilig te hanteren en te bedienen.

- ### SPECIFIEKE VEILIGHEIDSVORSCHRIFTEN VOOR APPARATEN ZONDER SNOER
- **Laad het accupak van uw apparaat alleen op met behulp van het laadapparaat dat door de fabrikant is voorgeschreven.** Een lader die voor een bepaald type accu bedoeld is, kan brand veroorzaken als die voor een ander type accu wordt gebruikt.
 - **Accugereedschap mag alleen in combinatie met een bepaald type accu worden gebruikt.** Het gebruik van andere accu's kan brand veroorzaken.
 - **Houd de accu, wanneer deze niet gebruikt wordt, uit de buurt van metalen voorwerpen zoals paperclips, geldstukken, sleutels, spijkers, schroeven en andere metalen voorwerpen die verbinding tussen de klemmen zouden kunnen maken.** Kortsluiting van de klemmen van de accu kan brandwonden of brand veroorzaken.
 - **Zorg dat u niet met accuvloeistof in aanraking komt als dit uit de accu is gelekt bij verkeerd gebruik.** Mocht dit gebeuren, dan dient u de betreffende plekken overvloedig met helder water te spoelen. Raadpleeg ook een arts als er vloeistof in uw ogen is gekomen. De uit een accu gestoten vloeistof kan irritaties of brandwonden veroorzaken.
 - **Gebruik geen accu's of gereedschappen die beschadigd zijn of waaraan wijzigingen zijn doorgevoerd.** Beschadigde of aangepaste accu's kunnen zich onvoorspelbaar gedragen, wat kan leiden tot brand, explosie of letsel.

- **Stel accu's of gereedschappen niet bloot aan brand of overmatige temperaturen.** Blootstelling aan brand of temperaturen boven 130 °C kan een explosie veroorzaken.
- **Volg alle laad instructies op en laad de accu of het gereedschap niet op buiten het temperatuurbereik dat in de instructies staat vermeld.** Het onjuist opladen of opladen buiten het aangegeven temperatuurbereik kan de accu beschadigen en het brandgevaar doen toenemen.

ONDERHOUD

- **Eventuele reparaties mogen alleen door een bekwaame vakman worden uitgevoerd met gebruik van originele reservevellen.** Zo kunt u het elektrisch apparaat veilig blijven gebruiken.
- **Beschadigde accu's mogen nooit zelf worden gerepareerd.** Reparatie van accu's mag uitsluitend worden uitgevoerd door de fabrikant of door een bevoegde reparatieservice.

VEILIGHEIDSWAARSCHUWINGEN BIJ SNOERLOZE HEGGENSCHAAR

- Gebruik de heggenschaar niet bij slecht weer, vooral niet als er kans is op blikseminslag. Dit vermindert de kans te worden verrast.
- Houd alle netsnoeren en kabels uit de buurt van de snijzone. Netsnoeren of kabels kunnen verborgen zijn in heggen of struiken en kunnen per ongeluk door het snijblad worden afgesneden.
- Draag gehoorbescherming. Het risico op gehoorverlies wordt kleiner bij gebruik van passende beschermingsmiddelen.
- Houd de heggenschaar uitsluitend vast aan de geïsoleerde grepen, aangezien het snijblad in contact kan komen met de verborgen bedrading. Bladen die in contact komen met een "stroomdraad" kunnen blootliggende metalen delen van de heggenschaar "onder stroom" zetten en de gebruiker een elektrische schok geven.
- Houd alle lichaamsdelen uit de buurt van het snijblad. Verwijder geen gesnoeid materiaal of houd geen materiaal dat moet worden gesnoeid vast wanneer de snijbladen bewegen. Nadat de motor is uitgeschakeld blijven de messen nog even draaien. Een ogenblik van onoplettendheid tijdens het gebruik van het product kan leiden tot ernstige persoonlijke letsels.
- Wanneer u vastgelopen materiaal verwijdert of onderhoud pleegt aan de heggenschaar, moet u ervoor zorgen dat alle schakelaars zijn uitgeschakeld en dat het accupack uit het product is genomen of losgekoppeld. Onverwacht inschakelen van de heggenschaar bij het verwijderen van vastgelopen materiaal of onderhoud kan leiden tot ernstig persoonlijk letsel.
- Draag de heggenschaar bij de handgreep met stilstaande snijbladen en zorg ervoor dat u niet onbedoeld een stroomschakelaar bedient. Door de heggenschaar op de juiste manier te dragen wordt het risico op onbedoeld starten en het daaruit voortvloeiende persoonlijk letsel door de snijbladen gereduceerd.
- Bij het transporteren of opbergen van de heggenschaar moet altijd de snijbladbescherming worden aangebracht. Een juiste omgang met de heggenschaar vermindert het risico op persoonlijk letsel door de snijbladen.

BIJKOMENDE VEILIGHEIDSWAARSCHUWINGEN

- Probeer geen takken of twijgen te snoeien die groter zijn dan het snoeivermogen vermeld in de tabel met specificaties, of die duidelijk te groot zijn voor het snoeimess. Gebruik een handzaag of snoeizaag om grote stammen te snoeien.
- Tijdens het gebruik dient u dit product altijd met beide handen stevig aan de twee handgrepen vast te houden.
- Controleer de machine voor elk gebruik. Controleer of alle bedieningen correct werken. Controleer op losse bevestigingsonderdelen, brandstoflekage, enz. Zorg ervoor dat alle beschermers en handvatten goed en veilig zijn vastgemaakt. Vervang alle beschadigde onderdelen voor gebruik. Controleer het accupack op lekken.
- Controleer de heggen en het struikgewas op vreemde voorwerpen, zoals draadafscheidings en verborgen bedrading.
- Het apparaat mag uitsluitend op de begane grond worden gebruikt en niet op ladders of andere onstabiele steunposities.
- Gebruik het product niet bij slechte verlichting. Gebruik het product uitsluitend bij daglicht of goede kunstmatige verlichting. De gebruiker heeft een duidelijk overzicht nodig van het werkgebied om mogelijke gevaren te identificeren.
- Het gebruik van gehoorbescherming vermindert de mogelijkheid om waarschuwingen (verbaal of alarmen) te horen. Wees bijzonder voorzichtig voor mogelijke gevaren rond en op de werkplek. Laat uzelf niet afleiden en blijf altijd geconcentreerd op de taak.
- Schakel het product uit en verwijder het batterijpak om het risico op verwonding door contact met bewegende onderdelen te verlagen. Laat beide afkoelen. Zorg ervoor dat alle bewegende delen volledig tot stilstand zijn gekomen:
 - vóórdat de positie van de snijdende delen wordt ingesteld
 - vóór onderhoud
 - voordat u een obstructie verwijdert
 - voordat u het product controleert, reinigt of er werkzaamheden aan verricht
 - voordat u accessoires verwisselt
 - voordat u het product onbewaakt achterlaat
 - voordat er op schade wordt gecontroleerd nadat een voorwerp is geraakt
 - voordat u onderhoud uitvoert
 - als het product abnormaal begint te trillen
- Duw het product niet met kracht door dichte heesters. Dit kan ervoor zorgen dat het snijblad vast raakt en vertraagt. Als de snijbladen vertragen, vermindert u het tempo.
- Als u het product laat vallen, het een ernstige impact ondergaat of abnormaal begint te trillen, legt u het product onmiddellijk stil en controleert u het op schade of zoekt u naar de oorzaak van de trillingen. Een beschadigd onderdeel moet door een geautoriseerd onderhoudscentrum goed worden gerepareerd of vervangen.
- Bedien het product alleen bij temperaturen tussen 0 °C en 40 °C.
- Bewaar het product op een locatie met een omgevingstemperatuur tussen 0 °C en 40 °C.

- Letsels kunnen worden veroorzaakt of ernstiger worden door verlengd gebruik van een werktuig. Wanneer u het product voor langere tijd achtereen gebruikt, neem dan regelmatig een pauze.

EXTRA VEILIGHEIDSWAARSCHUWINGEN ACCU

- Dompel uw accu of oplader nooit onder in vloeistof en laat er nooit vloeistof instromen, zulks om het risico op brand, persoonlijk letsel en productschade door kortsluiting te verminderen. Corrosieve of geleidende vloeistoffen zoals zout water, bepaalde chemicaliën, bleekmiddelen of producten die bleekmiddelen bevatten, kunnen een kortsluiting veroorzaken.
- Laad de accu op op een locatie met een omgevingstemperatuur van 10 °C tot 38 °C.
- Bewaar de accu op een locatie met een omgevingstemperatuur van 0 °C tot 20 °C.
- Gebruik de accu op een locatie met een omgevingstemperatuur van 0 °C tot 40 °C.

VERVOER EN OPSLAG

- Schakel de stroomvoorziening uit en verwijder de accu. Zorg ervoor dat alle bewegende delen volledig tot stilstand zijn gekomen. Laat het product en het accupack afkoelen voordat u het opbergt of vervoert.
- Verwijder al het vreemde materiaal van het product. Stal of transporteer de machine niet met geïnstalleerde accu. Verwijder de accu en berg deze apart op. Bewaar het product op een koele, droge en goed geventileerde plaats die voor kinderen ontoegankelijk is. Houd het product weg van corrosieve producten, zoals tuinchemicaliën en ontdooiingszout. Sla het product niet buitenshuis op.
- Monteer de snijbladbescherming alvorens het apparaat op te bergen of tijdens het transport.
- Voor transport beveilig u het product tegen bewegingen of vallen om letsels of schade aan het product te voorkomen.

LITHIUMBATTERIJEN TRANSPORTEREN

- De accu's dienen in overeenstemming met de plaatselijk en nationale regelgeving te worden getransporteerd.
- Volg alle speciale voorschriften voor verpakking en etikettering wanneer u accu's door een derde laat vervoeren. Zorg ervoor dat accu's tijdens het vervoer niet in contact kunnen komen met andere accu's of geleidende materialen door blootliggende connectoren te beschermen met isolerende, niet-geleidende doppen of tape. Transporteer geen accues die lekken of gebarsten zijn. Overleg met het transportbedrijf voor verder advies.

ONDERHOUD

- Gebruik uitsluitend originele vervangonderdelen, accessoires en voorzetstukken van de fabrikant. Doet u dat niet, dan kan dat mogelijke verwondingen veroorzaken, bijdragen tot slechte prestaties en kan uw garantie vervallen.
- Het onderhoud vereist extreme voorzichtigheid en deskundigheid en mag enkel door een gekwalificeerde onderhoudstechnicus worden uitgevoerd. Het product mag uitsluitend door een erkend servicecentrum worden gerepareerd.

- De snijmessen zijn uiterst scherp. Om persoonlijk letsel te voorkomen moet u uiterst voorzichtig zijn bij het reinigen, smeren, monteren of verwijderen van de snijbladafdekking.
- Schakel de stroomvoorziening uit en verwijder de accu. Laat beide afkoelen. Zorg dat alle bewegende onderdelen volledig tot stilstand zijn gekomen voordat u schoonmaak- of onderhoudstaken uitvoert.
- U kunt de in deze handleiding beschreven afstellingen en reparaties uitvoeren. Voor andere reparaties mag het product uitsluitend door een erkend servicecentrum worden gerepareerd.
- Reinig na elk gebruik het lichaam en de handvaten van het product met een zachte doek. Een beschadigd onderdeel moet door een geautoriseerd onderhoudscentrum goed worden gerepareerd of vervangen.
- Verwijder na elk gebruik het afval van de bladen met een stijve borstel en breng dan voorzichtig een tegen roest beschermend smeermiddel aan voordat u de bladbescherming weer terugplaatst. Gebruik een roestwerende, smerende spray zodat het middel gelijkmatig wordt aangebracht en het risico op persoonlijk letsel als gevolg van contact met de messen wordt vermeden. Ga voor informatie over een geschikte spray naar uw plaatselijke bevoegde onderhoudscentrum.
- Controleer alle moeren, bouten en schroeven regelmatig en vóór elk gebruik om te garanderen dat het product in veilige staat verkeert. Een beschadigd onderdeel moet door een geautoriseerd onderhoudscentrum goed worden gerepareerd of vervangen.



Draag anti-slip veiligheidsschoenen wanneer u het product gebruikt.



Om ernstige letsels te voorkomen, raakt u de zaagbladen niet aan.



Houd het product altijd met beide handen vast tijdens gebruik.



Stel niet bloot aan regen of vocht.



Pas op voor rondvliegende voorwerpen. Houd alle omstanders op tenminste 15 m afstand van de werkomgeving, vooral kinderen en huisdieren.



Verwijder de accu voordat u werkzaamheden aan het product uitvoert.



Gewaarborgd geluidsvermogensniveau

KEN UW PRODUCT

Zie pagina 113.

1. Beschermkap
2. Voorste handvat
3. Trigger aan voorzijde
4. Aan/uit-hendel
5. Achterste handvat
6. Maaimes
7. HEDGESWEEP afvalveger
8. Maaibladdeksel
9. Gebruikershandleiding
10. Accu
11. Oplader

SYMBOLLEN



Waarschuwing



Zorg ervoor dat u alle instructies op het product en in deze handleiding leest, begrijpt en uitvoert voordat u het product gebruikt. Volg alle waarschuwingen en veiligheidsinstructies.



Draag oog-, gehoor- en hoofdbescherming.



Draag zware anti-slip beschermhandschoenen.



Gooi afgedankte elektrische en elektronische apparatuur niet weg als ongesorteerd gemeentelijk afval. Afgedankte elektrische en elektronische apparatuur moet afzonderlijk worden ingezameld. Afvalbatterijen, afvalaccu's en lichtbronnen moeten uit de apparatuur worden verwijderd. Neem contact op met uw gemeente of winkelier voor advies over recycling en het inzamelpunt. Volgens de plaatselijke voorschriften kunnen winkeliers verplicht zijn afgedankte elektrische en elektronische apparatuur kosteloos terug te nemen. Uw bijdrage aan hergebruik en recycling van afgedankte batterijen en afgedankte elektrische en elektronische apparatuur helpt de vraag naar grondstoffen te verminderen. Afgedankte batterijen, in het bijzonder deze die lithium bevatten, en afgedankte elektrische en elektronische apparatuur bevatten waardevolle en recycleerbare materialen, die een negatief effect kunnen hebben op het milieu en de volksgezondheid, indien ze niet op een milieuvriendelijke manier worden verwijderd. Verwijder eventuele persoonlijke gegevens van afgedankte apparatuur.

PT TRADUÇÃO DAS INSTRUÇÕES ORIGINAIS

No design do seu recortador de sebes sem fios demos prioridade à segurança, ao desempenho e à fiabilidade.

USO PREVISTO

O recortador de sebes sem fios destina-se a cortar e aparar sebes, arbustos e vegetação similar.

O produto foi concebido para uso doméstico. O produto destina-se apenas à utilização em exteriores, em condições secas e bem iluminadas. O produto não se destina a cortar ramos, arbustos ou vegetação semelhante com diâmetros superiores à capacidade de corte.

Não a use para nenhuma outra finalidade.

AVISOS GERAIS DE SEGURANÇA DO PRODUTO

⚠ AVISO! Leia com atenção todas as advertências, instruções e especificações fornecidas com a ferramenta, e consulte as ilustrações. Se alguma das instruções listadas abaixo não for cumprida, daí poderá resultar choque eléctrico, incêndio e/ou ferimentos graves.

ConsERVE estas advertências e instruções para poder consultá-las mais tarde.

O termo “ferramenta eléctrica” nos avisos refere-se ao seu produto alimentado diretamente pela rede elétrica (com cabo elétrico) ou alimentado por bateria (sem cabo elétrico).

SEGURANÇA DO ESPAÇO DE TRABALHO

- **Mantenha a sua área de trabalho limpa e bem iluminada.** As áreas desordenadas ou escuras são um convite para acidentes.
- **Não utilize ferramentas eléctricas num ambiente explosivo, como por exemplo perto de líquidos, gases ou poeiras inflamáveis.** As centelhas provenientes das ferramentas eléctricas podem incendiá-los ou fazê-los explodir.
- **Mantenha as crianças, visitantes e animais domésticos afastados quando utilizar uma ferramenta eléctrica,** porque poderiam distraí-lo e fazer-lhe perder o controlo da ferramenta.

SEGURANÇA ELÉCTRICA

- **A ficha da ferramenta eléctrica deve estar adaptada à tomada. Nunca faça nenhuma intervenção na ficha. Nunca utilize um adaptador com ferramentas eléctricas ligadas à terra ou à massa.** Evitará assim os riscos de choque eléctrico.
- **Evite qualquer contacto com superfícies ligadas à terra ou à massa (isto é, tubos, radiadores, fogões, frigoríficos, etc.).** Os riscos de choques eléctricos aumentam se uma parte do corpo ficar em contacto com superfícies ligadas à terra ou à massa.
- **Nunca exponha uma ferramenta eléctrica à chuva nem à humidade.** Os riscos de choque eléctrico aumentam se a água penetrar numa ferramenta eléctrica.
- **ConsERVE o fio de alimentação em bom estado. Nunca segure a ferramenta pelo fio de alimentação e nunca puxe o fio para a desligar. Mantenha o fio de alimentação afastado de qualquer fonte de calor, de óleo, de objectos afiados ou de elementos em movimento.** Os riscos de choque eléctrico aumentam se o fio estiver danificado ou emaranhado.

- **Quando trabalhar no exterior, utilize unicamente extensões concebidas para uma utilização no exterior.** Evitará assim os riscos de choque eléctrico.
- **Se não puder evitar a utilização da ferramenta em ambiente húmido, ligue-se a uma alimentação eléctrica protegida por um dispositivo diferencial residual (DDR).** A utilização de um dispositivo DDR limita os riscos de choques eléctricos.

SEGURANÇA PESSOAL

- **Mantenha-se vigilante, observe bem o que faz e demonstre bom senso quando utiliza uma ferramenta eléctrica. Não utilize a sua ferramenta se estiver cansado, sob a influência de bebidas alcoólicas ou de drogas ou se tomar medicamentos.** Nunca se esqueça que basta um segundo de falta de atenção para se ferir gravemente.
- **Utilize dispositivos de protecção. Proteja sempre os olhos.** Conforme as circunstâncias, use também uma máscara anti-poeira, calçado antiderrapante, um capacete ou protecções auditivas para evitar os riscos de ferimentos graves.
- **Evite qualquer arranque por descuido. Certifique-se de que o interruptor está em “Desligar” antes de ligar a ferramenta a uma tomada ou de inserir a bateria, mesmo quando pega ou transporta a ferramenta.** Para evitar os riscos de acidentes, não desloque a ferramenta com o dedo no gatilho e não a ligue à corrente / não insira a bateria se o interruptor estiver na posição “Ligar”.
- **Retire as chaves de aperto antes de ligar a sua ferramenta.** Uma chave de aperto mantida presa num elemento móvel da ferramenta pode provocar ferimentos graves.
- **Tenha o cuidado de se encontrar sempre em posição de equilíbrio. Fique sempre bem apoiado nas pernas e não estique demasiado o braço.** Uma posição de trabalho estável permite controlar melhor a sua ferramenta em caso de evento fortuito.
- **Use roupas adequadas. Não use roupas folgadas nem jóias. Mantenha as suas roupas e o seu cabelo afastados de peças móveis.** As roupas folgadas, as jóias e os cabelos compridos podem ficar presos nos elementos em movimento.
- **Se a ferramenta for entregue com um sistema de aspiração da poeira, o mesmo deve ser instalado e utilizado correctamente.** Evitará assim os riscos de acidentes.
- **Mesmo que utilize frequentemente ferramentas eléctricas e esteja familiarizado com elas, não facilite e não ignore os princípios de segurança.** Uma acção descuidada ou uma falta de atenção podem causar ferimentos graves numa fracção de segundo.

UTILIZAÇÃO E MANUTENÇÃO DAS FERRAMENTAS ELÉCTRICAS

- **Não force a sua ferramenta. Utilize a ferramenta adaptada ao trabalho que quer efectuar.** A sua ferramenta eléctrica será mais eficaz e mais segura se a utilizar no regime para o qual foi concebida.
- **Não utilize uma ferramenta eléctrica se o interruptor não permitir pô-la em funcionamento e pará-la.** Uma ferramenta que não pode ser ligada e desligada correctamente é perigosa e deve ser reparada imperativamente.

- **Antes de fazer quaisquer ajustes, de mudar acessórios ou de guardar ferramentas eléctricas, desligue a alimentação eléctrica da ferramenta, desenchando a ficha da tomada de rede eléctrica e/ou desmontando o conjunto de baterias (se for desmontável).** Desse modo reduz os riscos de arranque da ferramenta por descuido.
- **Arrume as ferramentas eléctricas fora do alcance das crianças. Não deixe as pessoas que não conhecem a ferramenta ou que não leram estas instruções de segurança utilizar a ferramenta.** As ferramentas eléctricas são perigosas em mãos de pessoas sem experiência.
- **Faça a manutenção das ferramentas eléctricas e dos acessórios. Verifique o alinhamento das peças móveis. Verifique se nenhuma peça está partida. Controle a montagem e qualquer outro elemento que possa afectar o funcionamento da ferramenta. Se houver peças danificadas, mande reparar a sua ferramenta antes de a utilizar.** Muitos acidentes são devidos a uma má manutenção das ferramentas.
- **ConsERVE as suas ferramentas limpas e afiadas.** Uma ferramenta de corte bem afiada e limpa corre menos riscos de bloquear e é mais fácil de controlar.
- **Utilize a sua ferramenta eléctrica, os acessórios, as pontas, etc. conforme estas instruções de utilização, levando em conta as condições de utilização assim como as aplicações desejadas.** Para evitar situações perigosas, utilize a sua ferramenta eléctrica apenas para trabalhos para os quais foi concebida.
- **As pegas e as superfícies de contacto com as mãos têm de ser mantidas secas, limpas e livres de óleo e de gordura.** Se as pegas e as superfícies de contacto com as mãos estiverem escorregadias, o operador não consegue manejar a ferramenta de forma segura, nem consegue manter a ferramenta sob controlo em situações inesperadas.
- **Não exponha conjuntos de baterias nem ferramentas ao fogo nem a temperaturas excessivas.** A exposição ao fogo ou a temperaturas acima de 130 °C pode causar uma explosão.
- **Siga todas as instruções referentes ao carregamento e não carregue conjuntos de baterias nem ferramentas em temperaturas que excedam os valores especificados nas instruções.** Se o carregamento for feito de forma incorrecta ou em temperaturas que excedam os valores especificados, isso poderá danificar a bateria e aumentar o risco de incêndio.

MANUTENÇÃO

- **As reparações devem ser efectuadas por um técnico qualificado, utilizando unicamente peças sobresselentes de origem.** Desse modo poderá utilizar a sua ferramenta eléctrica com toda a segurança.
- **Nunca tente fazer reparações a conjuntos de baterias que estejam danificados.** Os conjuntos de baterias apenas podem ser reparados pelo fabricante ou por um concessionário de assistência técnica autorizado.

AVISOS DE SEGURANÇA DO RECORTADOR DE SEBES SEM FIOS

- Não utilize o aparador de sebes em condições meteorológicas adversas, especialmente se existir o risco de trovoadas. Desta forma, reduz o risco de ser atingido por um raio.
- Mantenha todos os cabos e fios de alimentação afastados da área de corte. Os fios ou cabos de alimentação poderão estar escondidos em sebes ou arbustos e pode ser acidentalmente cortados pela lâmina.
- Usar protecção para os ouvidos. O equipamento adequado reduz o risco de perda auditiva.
- Segure o aparador de sebes apenas pelas superfícies de prensão isoladas, uma vez que a lâmina pode entrar em contacto com fios condutores ocultos. Em contacto com um fio "energizado", as lâminas podem expor partes metálicas do aparador de sebes energizado e resultar em choques eléctricos para o operador.
- Mantenha todas as partes do corpo afastadas da lâmina. Não remova o material de corte ou segure o material a ser cortado quando as lâminas se encontram em movimento. As lâminas continuam a rodar depois de desligar o motor. Um momento de desatenção enquanto opera o produto pode resultar em ferimentos graves.
- Quando estiver a retirar material encastrado ou a realizar a manutenção do corta-sebes, certifique-se de que todos os interruptores estão desligados e de que a bateria foi removida ou desligada. Poderá ocorrer o funcionamento inesperado do corta-sebes ao retirar material obstruído ou ao realizar tarefas de manutenção e causar graves ferimentos pessoais.
- Transporte o aparador de sebes pela pega com a lâmina parada e exerça cautela para não acionar qualquer interruptor geral. O transporte correto do aparador reduz o risco de arranque inadvertido e os resultantes ferimentos pessoais devido à ação das lâminas.
- Ao transportar ou armazenar o aparador de sebes, instale sempre a cobertura da lâmina. O correto manuseamento do aparador de sebes reduz o risco de ferimentos pessoais nas lâminas.

INSTRUÇÕES DE SEGURANÇA ESPECÍFICAS ÀS FERRAMENTAS SEM FIO

- **Carregue a bateria somente com o carregador recomendado pelo fabricante.** Um carregador adaptado a um certo tipo de bateria pode desencadear um incêndio se for utilizado com outro tipo de bateria.
- **Só se deve utilizar um tipo de bateria específica com uma ferramenta sem fio.** O uso de qualquer outra bateria pode provocar um incêndio.
- **Quando a bateria não for utilizada, mantenha-a afastada de objectos metálicos como cliques, moedas, chaves, parafusos, pregos ou qualquer outro objecto que possa ligar os contactos entre si.** O curto-circuito dos contactos da bateria pode provocar queimaduras ou incêndios.
- **Evite qualquer contacto com o líquido da bateria em caso de fuga da bateria devido a uma utilização abusiva. Se isso ocorrer, lave a zona afectada com água limpa abundante. Se os olhos forem atingidos, consulte também um médico.** O líquido projectado de uma bateria pode provocar irritações ou queimaduras.
- **Não utilize conjuntos de baterias nem ferramentas que estejam danificadas ou que tenham sido modificadas.** Baterias danificadas ou modificadas podem ter um comportamento imprevisível e causar um incêndio, uma explosão ou ferimentos.

AVISOS DE SEGURANÇA ADICIONAIS

- Não tente cortar troncos os ramos com uma espessura superior à capacidade de corte indicada no quadro de especificações ou que sejam obviamente demasiado grandes para a lâmina de corte. Use uma serra manual não motorizada ou uma serra de desbaste para aparar os caules maiores.
- Opere o aparelho segurando-o sempre com firmeza com as duas mãos e pelas duas pegas.
- Inspeccione a máquina antes de cada uso. Verifique que todos os controlos funcionam corretamente. Verifique os fechos soltos, as fugas de combustível, etc. Assegure-se de que todas as proteções e cabos estão unidos de forma correcta e segura. Substitua qualquer peça danificada antes da utilização. Verifique se existem fugas na bateria.
- Verifique a existência de objetos estranhos e cabos escondidos nas sebes e arbustos.
- O produto deve ser utilizado apenas ao nível do solo e não em escadas ou qualquer outro apoio instável.
- Não utilize o produto em condições de má iluminação. Utilize o aparelho apenas com luz diurna ou com uma boa luz artificial. O operador necessita de uma visão clara da área de trabalho para identificar potenciais perigos.
- O uso da protecção auditiva reduz a sua capacidade de ouvir avisos (gritos ou alarmes). É preciso ter muita atenção aos perigos potenciais dentro e á volta da área de trabalho. Não se distraia: concentre-se sempre na tarefa.
- Para reduzir o risco de ferimentos associados ao contacto com peças móveis, desligue sempre o produto e desmonte o conjunto de baterias. Deixe arrefecer. Certifique-se de que todas as peças em movimento pararam completamente:
 - antes de afinar a posição de trabalho dos meios de corte
 - antes de fazer reparações ou manutenção
 - antes de desobstruir bloqueios
 - antes de verificar, limpar ou funcionar com o produto
 - antes de substituir acessórios
 - antes de deixar o produto desacompanhado
 - antes de verificar a existência de quaisquer danos após o embate com um objeto
 - antes de realizar tarefas de manutenção
 - se o produto começar a vibrar de forma anormal
- Não force o produto a atravessar arbustos muito densos. Isto pode fazer com que as lâminas prendam e abrandem. Se as lâminas abrandarem, reduza o ritmo.
- Se o aparelho cair, sofrer um impacto forte ou começar a vibrar de maneira anormal, pare-o imediatamente e verifique se está danificado ou identifique o motivo da vibração. Qualquer peça danificada deve ser substituída ou reparada adequadamente por um centro de serviço autorizado.
- Utilize o produto apenas em temperaturas entre 0 °C e 40 °C.
- Guarde o produto num local em que a temperatura ambiente se situe entre 0 °C e 40 °C.
- O uso prolongado de uma ferramenta pode causar o agravar lesões. Sempre que utilizar o produto durante períodos de tempo prolongados, certifique-se de que faz intervalos regulares.

AVISOS DE SEGURANÇA ADICIONAIS DAS BATERIAS

- Para reduzir o risco de incêndio, ferimentos pessoais e danos ao produto causados por curto-circuito, nunca coloque o produto, o conjunto de baterias ou o carregador dentro de qualquer líquido, nem deixe que sejam penetrados por qualquer líquido. Líquidos corrosivos ou condutivos como água salgada, determinadas substâncias químicas ou produtos que contenham branqueadores podem causar um curto-circuito.
- Carregue a bateria num local em que a temperatura ambiente se situe entre 10 °C e 38 °C.
- Guarde a bateria num local em que a temperatura ambiente se situe entre 0 °C e 20 °C.
- Utilize a bateria num local em que a temperatura ambiente se situe entre 0 °C e 40 °C.

TRANSPORTE E ARMAZENAMENTO

- Desligue com o interruptor e desmonte o conjunto de baterias. Certifique-se de que todas as peças em movimento pararam completamente. Deixe o produto e a bateria arrefecerem antes de os armazenar ou transportar.
- Limpe todos os materiais estranhos do produto. Não guarde nem transporte o produto com a bateria instalada. Retire a unidade da bateria e guarde-a separadamente. Guarde-o num local fresco e seco e bem ventilado a que as crianças não consigam aceder. Mantenha o produto afastado de agentes corrosivos tais como produtos químicos de jardim e sais de remoção de gelo. Não guarde o produto em espaços exteriores.
- Instale a protecção da lâmina antes de guardar o produto ou durante o transporte.
- Para o transporte, segure o produto para não se mover nem cair e evitar assim lesionar alguém ou danificar o produto.

TRANSPORTE DE BATERIAS DE LÍTIUM

- Transporte as baterias em conformidade com as disposições e regulamentos locais e nacionais.
- Siga todos os requisitos especiais na embalagem e rótulos ao transportar baterias por um terceiro. Certifique-se de que nenhuma bateria pode entrar em contacto com outras baterias ou materiais condutores durante o transporte protegendo os conectores expostos com tampas ou fita isoladora e não condutora. Não transporte baterias que estejam rachadas ou com fugas. Confirme com a empresa de envio para mais conselhos.

MANUTENÇÃO

- Utilize apenas peças de substituição, acessórios e encaixes do fabricante original. A inobservância desta indicação pode causar um fraco desempenho, possíveis lesões e poderá anular a sua garantia.
- Os serviços de manutenção requerem extremo cuidado e conhecimentos e devem apenas ser realizado por um técnico de assistência qualificado. Repare o seu produto exclusivamente num centro de assistência autorizado.
- As lâminas são extremamente afiadas. Para evitar ferimentos pessoais, exerça extrema cautela ao limpar, lubrificar, encaixar ou remover a cobertura da lâmina.

- Desligue com o interruptor e desmonte o conjunto de baterias. Deixe arrefecer. Antes de fazer quaisquer trabalhos de limpeza ou de manutenção, certifique-se de que todas as peças móveis pararam completamente.
- Pode realizar os ajustes e reparações descritos neste manual do utilizador. Para outras reparações, entregue o seu produto exclusivamente a um centro de assistência autorizado.
- Após cada utilização, limpe a estrutura e as pegas do aparelho com um pano seco e macio. Qualquer peça danificada deve ser substituída ou reparada adequadamente por um centro de serviço autorizado.
- Após cada utilização, limpe os detritos das lâminas com uma escova dura e, em seguida, aplique cuidadosamente um lubrificante que previne a ferrugem antes de voltar a colocar o protetor de lâmina. Utilize um lubrificante em spray para a prevenção do aparecimento de ferrugem recomendado para aplicar uma distribuição uniforme e reduzir o risco de ferimentos pessoais resultantes do contacto com as lâminas. Para mais informações sobre o produto pulverizador apropriado, verifique com o seu centro de assistência autorizado local.
- Antes de cada utilização e a intervalos regulares, inspeccione e certifique-se de que todas as porcas, parafusos e outros fixadores estão apertados com firmeza, para garantir que o produto está em condições que permitem o funcionamento em segurança. Qualquer peça danificada deve ser substituída ou reparada adequadamente por um centro de serviço autorizado.



Quando utilizar o produto, segure-o sempre com as duas mãos.



Não o exponha à chuva ou a condições de humidade.



Tenha cuidado com os objectos voláteis ou lançados. Mantenha todos os transeuntes, em especial as crianças e os animais de estimação, a uma distância mínima de 15 m da área de utilização.



Antes de fazer quaisquer trabalhos de manutenção ou limpeza ao produto, desmonte o conjunto de baterias.



Nível de potência sonora garantido

CONHEÇA O SEU APARELHO

Ver a página 113.

1. Resguardo da lâmina
2. Pega frontal
3. Gatilho frontal
4. Gatilho
5. Pega traseira
6. Lâmina
7. Varredor de detritos HEDGESWEEP
8. Cobertura da lâmina
9. Manual do operador
10. Bateria
11. Carregador



Não elimine baterias, pilhas, equipamentos elétricos e eletrônicos juntamente com resíduos municipais não separados. Os resíduos de baterias, pilhas e equipamentos elétricos e eletrônicos devem ser recolhidos separadamente. Os resíduos de acumulares de baterias, pilhas e fontes de luz têm de ser retirados do equipamento. Consulte a sua autoridade local ou retalhista para obter aconselhamento sobre reciclagem e pontos de recolha. De acordo com os regulamentos locais, os retalhistas têm a obrigação de receber os resíduos de baterias, pilhas e equipamentos elétricos e eletrônicos livres de encargos. O seu contributo para reutilizar e reciclar os resíduos de equipamentos elétricos e eletrônicos ajuda a reduzir a procura de matérias-primas. As baterias e pilhas usadas, em particular, contêm lítio e os resíduos de equipamentos elétricos e eletrônicos contêm materiais recicláveis preciosos, que podem afetar negativamente o meio ambiente e a saúde humana se não forem eliminados de uma forma ambientalmente compatível. Elimine os dados pessoais dos equipamentos, se existirem.

SÍMBOLOS



Aviso



Antes de utilizar este produto, leia e compreenda todas as instruções neste Manual. Siga todos os avisos e todas as instruções de segurança.



Use proteção para os olhos, ouvidos e cabeça.



Utilize luvas protectoras antideslizantes resistentes.



Quando utilizar o produto, use calçado de segurança anti-derrapante.



Para prevenir lesões graves, não toque nas lâminas de corte.

DA OVERSÆTTELSE AF DE ORIGINALE INSTRUKTIONER

Ved udformningen af din akku-hækkeklipper har vi givet topprioritet til sikkerhed, ydelse og driftssikkerhed.

TILTÆNKT ANVENDELSESFORMÅL

Akku-hækkeklipperen er beregnet til at beskære og trimme hække, buske og lignende vegetation.

Produktet er beregnet til privat eller hjemlig brug. Produktet er kun beregnet til udendørs brug under tørre forhold og med god belysning. Produktet er ikke beregnet til at skære hække, buske og lignende vegetation med diametre udover dets skæreevne.

Må ikke bruges til andre formål.

GENERELLE ADVARSLER VEDRØRENDE PRODUKTSIKKERHED

⚠ ADVARSEL! Læs alle omhyggeligt alle advarsler, anvisninger og specifikationer, som følger med maskinen, og studer illustrationerne. Manglende iagttagelse af samtlige nedenstående instrukser kan medføre elektrisk stød, brand og/eller alvorlige personskader.

Gem vejledningen med advarsler og anvisninger til senere opslag.

Betegnelsen "elektrisk værktøj" i advarslerne henviser til jeres ledningsforbundne produkt eller batteridrevne (ledningsfrie) produkt.

SIKRE ARBEJDSOMGIVELSER

- **Sørg for at holde arbejdsstedet rent og ryddeligt og for at have godt lys til arbejdet.** Rodede eller mørke områder inviterer til ulykker.
- **Brug ikke elektriske redskaber eller værktøjer i eksplosionsfarlige omgivelser, f.eks. i nærheden af brændbare væsker, dampe eller letantændeligt stov.** Gnister fra elektriske redskaber eller værktøjer kan antænde disse væsker, dampe eller støvansamlinger eller forårsage eksplosion.
- **Hold børn, tilskuere og husdyr på afstand ved arbejde med elektriske redskaber eller værktøjer.** De kan virke distraherende, så man mister kontrollen over værktøjet eller redskabet.

ELEKTRISK SIKKERHED

- **Det elektriske værktøjs stikprop skal passe til den stikkontakt, den sættes i. Forsøg aldrig at ombygge stikpropen.** Brug aldrig adaptere med elektriske redskaber eller værktøjer, som kræver jordforbindelse. Så er der mindre fare for at få elektrisk stød.
- **Undgå kontakt med jordforbundne flader (dvs. rør, radiatorer, komfurer, køleskabe o.l.).** Der er større risiko for at få elektrisk stød, hvis en del af kroppen er i berøring med en jordforbunden flade.
- **Elektriske redskaber eller værktøjer må ikke udsættes for regn eller fugt.** Faren for elektrisk stød øges, hvis der trænger vand ind i et elektrisk værktøj.
- **Hold den strømførende ledning i god stand. Løft aldrig værktøjet eller redskabet i ledningen, og træk aldrig i ledningen for at rykke stikket ud af stikkontakten.** Hold fødeledningen væk fra varmekilder, olie, genstande med skarpe kanter og elementer i bevægelse. Faren for elektrisk stød er større, hvis ledningen er beskadiget eller viklet sammen.

- **Ved arbejde udendørs må der kun anvendes forlængerledninger beregnet til udendørs brug.** Så er der mindre fare for at få elektrisk stød.
- **Hvis man ikke kan undgå at bruge værktøjet i fugtige omgivelser, skal det tilsluttes en strømforsyning beskyttet med en fejlstrømsafbryder (RCD).** Når der anvendes fejlstrømsafbrydere, er der mindre fare for elektrisk stød.

PERSONLIG SIKKERHED

- **Hold opmærksomheden koncentreret om arbejdet, og brug sund fornuft, når der arbejdes med elektrisk værktøj. Det elektriske redskab eller værktøj må aldrig bruges, hvis man er træt, påvirket af spiritus eller narkotika eller tager medicin.** Glem aldrig, at man blot skal være uopmærksom en brøkdæl af et sekund for at komme alvorligt til skade.
- **Brug sikkerhedsudstyr. Beskyt altid øjnene.** Alt efter forholdene skal der bruges støvmaske, skridsikre sko, hjelm eller høreværn for ikke at komme alvorligt til skade.
- **Undgå utilsigtet igangsættelse. Se efter, som start-stopknappen er på "stop", inden redskabet eller værktøjet tilsluttes en stikkontakt eller batteriet sættes i, og før redskabet eller værktøjet tages op eller flyttes.** For at forebygge ulykker må redskabet eller værktøjet ikke flyttes med fingeren på start-stopknappen, og det må heller ikke tilsluttes stikkontakten/batteriet på ikke sættes på, hvis start-stopknappen er på "start".
- **Tag spændnøglerne ud, inden værktøjet sættes i gang.** Man kan komme alvorligt til skade, hvis spændnøglen bliver siddende på en af redskabets eller værktøjets bevægelige dele.
- **Pas på ikke at tabe balancen. Fordel vægten på begge ben, og lad være med at strække armen for langt ud.** I en stabil arbejdsstilling kan man bedre styre redskabet eller værktøjet, hvis der sker noget uventet.
- **Vær klædt rigtigt til formålet. Undgå løsthængende tøj og smykker. Sørg for at holde hår og tøj på afstand af bevægelige dele.** Løsthængende tøj, smykker og langt hår kan sætte sig fast i de bevægelige dele.
- **Hvis redskabet eller værktøjet leveres med støvsugersystem, skal det monteres og anvendes korrekt.** Derved forebygges uheld og ulykker.
- **Lad ikke erfaringen fra hyppig brug af værktøjet bevirke, at du bliver for selvsikker og ignorerer sikkerhedsprincipperne for værktøjet.** En skodesløs handling kan forårsage alvorlige personskader på en brøkdæl af et sekund.

ANVENDELSE OG VEDLIGEHOLDELSE AF ELEKTRISKE REDSKABER OG VÆRKTØJER

- **Pres ikke værktøjet. Brug det redskab eller værktøj, der passer til opgaven.** Det elektriske redskab eller værktøj er mere effektivt og sikkert, hvis det anvendes med den hastighed, det er beregnet til.
- **Brug ikke det elektriske værktøj, hvis det ikke kan startes og standes med start-stopknappen.** Hvis redskabet eller værktøjet ikke kan tændes og slukkes rigtigt, er det farligt og skal repareres.
- **Træk stikket ud af stikkontakten, og/eller fjern batteripakken, hvis muligt, fra elværktøjet, inden du foretager justeringer, skifter tilbehør eller opbevarer elværktøjet.** Derved formindskes risikoen for, at redskabet eller værktøjet starter ved et uheld.

- **Opbevar elektrisk værktøj utilgængeligt for børn.** Lad ikke andre, som ikke kender redskabet eller værktøjet, og som ikke har læst disse sikkerhedsregler, bruge det. Elektrisk værktøj er farligt, hvis det kommer i ukendige hænder.
- **Elværktøjer og tilbehør skal vedligeholdes.** Se efter, om de bevægelige dele er rettet ind. Se alle dele efter for brud. Undersøg, om alt er monteret rigtigt, og kontroller alle øvrige forhold, som kan have indflydelse på værktøjets drift. Hvis der er beskadigede dele, skal redskabet eller værktøjet repareres inden yderligere brug. Mange uheld og ulykker skyldes forkert eller manglende vedligeholdelse af værktøj og redskaber.
- **Hold værktøjer og redskaber rene og skarpe.** Et rent og skarpt skæreværktøj eller -redskab er mindre tilbøjeligt til at sætte sig fast og lettere at styre.
- **Anvend det elektriske værktøj, tilbehøret, indsatsen m.v. i overensstemmelse med disse forskrifter, og tag ligeledes hensyn til driftsforholdene og den pågældende opgave.** For at undgå farlige situationer må det elektriske redskab eller værktøj kun anvendes til de formål, det er beregnet til.
- **Hold håndtag og gribeblader tørre, rene og fri for olie og fedt.** Glatte håndtag og gribeblader forhindrer sikker håndtering og kontrol af værktøjet i uventede situationer.

SÆRLIGE SIKKERHEDSREGLER FOR BATTERIDREVNE REDSKABER OG VÆRKTØJER

- **Oplad kun redskabets eller værktøjets batteri med den af fabrikanten anførte oplader.** En oplader beregnet til en bestemt type batteri kan forårsage brand, hvis den anvendes til en anden type batteri.
- **Der må kun anvendes en bestemt type batteri til det batteridrevne redskab eller værktøj.** Hvis der anvendes andre batterier, kan der opstå brand.
- **Når batteriet ikke er i brug, må det ikke komme i berøring med metalgenstande som papirklemmer, mønter, nøgler, skruer, søm eller andre genstande, der kan skabe forbindelse mellem batterikontakterne.** Kortslutning af batteriets kontakter kan forårsage forbrændinger eller brand.
- **Undgå berøring med batterivæsken, hvis den siver ud efter fejlagtig håndtering.** Hvis det skulle ske, skylles det berørte område grundigt med rent vand. Hvis man har fået væske i øjnene, søges også læge. Væskestænk fra et batteri kan forårsage irritation eller forbrændinger.
- **Undlad at bruge en batteripakke, som er blevet beskadiget eller ændret.** Beskadigede eller ændrede batteripakker kan opføre sig på en uventet måde, som kan resultere i brand, eksplosion eller personskader.
- **Undlad at udsætte batteripakken eller værktøjet for brand eller høje temperaturer.** Eksponering for brand eller temperaturer over 130 °C kan forårsage eksplosion.
- **Følg alle ladeinstrukser, og undlad at oplade batteripakken eller værktøjet uden for det temperaturområde, der er angivet i brugsanvisningen.** Forkert opladning eller opladning ved temperaturer uden for det angivne område kan ødelægge batteriet og øge risikoen for brand.

VEDLIGEHOLDELSE

- **Reparationer skal overlades til en fagmand, som udelukkende anvender originale reservedele.** Derefter kan det elektriske redskab eller værktøj igen bruges sikkert.
- **Forsøg aldrig selv at reparere beskadigede batteripakker.** Batteripakker må kun repareres af producenten eller af autoriserede serviceudbydere.

SIKKERHEDSADVARSLER FOR AKKU-HÆKKEKLIPPEREN

- Brug ikke hækkeklipperen under dårlige vejrforhold, især ikke når der er fare for lynnedslag. Dette mindsker risikoen for at blive ramt af lynet.
- Hold alle netledninger og kabler væk fra skæreområdet. Netledninger eller kabler kan være skjult i hække eller buske og kan ved et uheld blive skåret over af klingens.
- Bær høreværn. Det passende beskyttelsesudstyr vil reducere risikoen for høretab.
- Hold kun på hækkeklipperen på de isolerede gribeblader, da knivene evt. kan komme i berøring med skjulte ledninger. Hvis knivene kommer i berøring en strømførende ledning, kan det gøre blottede metaldele på hækkeklipperen strømførende og give operatøren elektrisk stød.
- Hold alle kropsdelen på afstand af klingens. Forsøg ikke at fjerne afklippet materiale eller holde om materiale, der skal klippes, mens knivene er i bevægelse. Klinger fortsætter med at rotere efter slukning af motor. Et øjebliks uopmærksomhed under anvendelse af produktet kan medføre alvorlige personskader.
- Ved udtagning af fastklemt materiale eller ved vedligeholdelse af hækkeklipperen skal alle tænd/slukknapper være slukkede, og batterienheden skal tages ud eller frakobles. Uventet aktivering af hækkeklipperen, under fjernelse af fastsiddende materiale eller servicering, kan medføre alvorlig personskade.
- Bær hækkeklipperen i håndtaget med stoppet kling, og pas på ikke at aktivere en afbryder. At bære hækkeklipperen på den korrekte måde reducerer risikoen for at starte den forårsage efterfølgende personskade med klingerne.
- Når du transporterer eller opbevarer hækkeklipperen, skal du altid påmontere sværdbeskytteren. Korrekt håndtering af hækkeklipperen reducerer risikoen for personskade med knivene.

EKSTRA SIKKERHEDSADVARSLER

- Forsøg ikke at skære stammer eller kviste, der er større end den skærekapacitet, der er angivet i specifikationstabellen, eller som naturligvis er for store til at føres ind i klingens. Brug en manuel håndsav eller beskæringssav til klipping af lange stammer.
- Når man bruger produktet, skal man altid holde det godt fast med hænderne i de to håndtag.
- Husk altid at inspicere maskinen inden brug. Kontrollér, at alle betjeningselementer fungerer fejlfrit. Kontrollér for løse fastgørelseselementer, brændstofflækage, mv. Kontrollér, at alle skærme, og håndtag er fastgjort ordentligt og sikkert. Udskift evt. beskadigede dele inden brug. Kontrollér for batterilækager.

- Kontroller hegn og buske for fremmede objekter, såsom trådhegn og skjulte ledninger.
- Produktet må kun bruges på jordniveau og ikke på en stige eller nogen anden ustabil overflade.
- Brug ikke produktet i dårlig belysning. Brug produktet i dagslys eller god kunstig belysning. Operatøren skal have tydeligt overblik over arbejdsområdet, så han/hun kan identificere evt. faremomenter.
- Vær opmærksom på, at høreværn begrænser evnen til at høre advarsler (alarmer eller råb). Vær særligt opmærksom på potentielle faremomenter omkring og i arbejdsområdet. Bliv ikke distraheret. Hold altid fokus på opgaven.
- Sluk altid for produktet, og fjern batteripakken for at reducere risikoen for personskader ved kontakt med bevægelige dele. Lad begge køle af. Kontrollér, at alle bevægelige dele er standset fuldstændigt:
 - inden justering af arbejdsposition for skæremidler
 - før betjening
 - før rydning af en blokering
 - inden kontrol, rengøring eller arbejde på produktet
 - før der skiftes tilbehør
 - før du går fra produktet
 - inden kontrol af skader efter at have ramt en genstand
 - inden der foretages vedligeholdelse
 - hvis produktet begynder at vibrere unormalt
- Undlad at tvinge produktet gennem kraftigt buskads. Dette kan få knivene til at blokere eller køre langsommere. Hvis knivene kører langsommere, reducerer man bevægelsestempoet.
- Hvis produktet tabes, udsættes for stød eller begynder at vibrere unormalt, skal man omgående stoppe det og inspicere det for skader eller lokalisere årsagen til vibrationen. Enhver del, som bliver beskadiget, skal repareres korrekt eller udskiftes hos et autoriseret servicecenter.
- Brug kun produktet ved temperaturer mellem 0 °C og 40 °C.
- Opbevar produktet et sted, hvor omgivelsestemperaturen er mellem 0 °C og 40 °C.
- Længere tids brug af et værktøj kan forårsage - eller forværre - personskader. Når du bruger produktet i længere perioder, skal du sørge for at tage regelmæssige pauser.
- Oplad batteripakken et sted, hvor omgivelsestemperaturen er mellem 10 °C og 38 °C.
- Opbevar batteripakken et sted, hvor omgivelsestemperaturen er mellem 0 °C og 20 °C.
- Brug batteripakken et sted, hvor omgivelsestemperaturen er mellem 0 °C og 40 °C.

TRANSPORT OG OPBEVARING

- Sluk, og fjern batteripakken. Kontrollér, at alle bevægelige dele er standset fuldstændigt. Lad produktet og batteripakken køle af, inden du pakker det væk eller transporterer det.
- Afrens alle fremmedlegemer fra produktet. Lad være med at opbevare eller transportere produktet med batterier isat. Fjern batteripakken og placer den separat. Opbevar den på et køligt, tørt og godt ventileret sted utilgængeligt for børn. Sørg for, at produktet ikke kommer i nærheden af korrosive stoffer såsom havekemikalier og strøsalt. Opbevar ikke produktet udendørs.
- Monter klingedækslet, før produktet opbevares eller under transport.
- Til transport skal man sikre produktet, så den ikke kan bevæge sig eller vælte; dette for at forebygge personskader eller skader på produktet.

TRANSPORT AF LITHIUM-BATTERIER

- Batterier skal transporteres i henhold til lokale og nationale forskrifter og love.
- Når batterier skal transporteres af tredjepart, skal alle specielle krav til emballering og mærkning overholdes. Man skal sikre sig, at ingen batterier under transporten kan komme i kontakt med andre batterier eller ledende materialer ved at beskytte blottede konnektorer med isolerende, ikke-ledende hætter eller tape. Undlad at transportere batterier med revner eller utætheder. Rådfør dig desuden med speditøren.

VEDLIGEHOLDELSE

- Brug kun originale reservedele, ekstraudstyr og tilbehør fra producenten. I modsat fald er der fare for personskader, dårlig maskindydelse og annullering af garantien.
- Vedligeholdelse kræver stor omhyggelighed og viden og bør kun udføres af en kvalificeret tekniker. Lad kun et autoriseret serviceværksted servicere produktet.
- Knivene er ekstremt skarpe. For at forhindre personskade skal du udvise yderst forsigtighed, når du rengører, smører, monterer eller fjerner klingedækslet.
- Sluk, og fjern batteripakken. Lad begge køle af. Sørg for, at alle bevægelige dele er fuldstændigt stoppet, før du rengør eller vedligeholder græsslåmaskinen.
- Du kan lave justeringer og reparationer beskrevet i denne brugervejledning. Lad kun et autoriseret servicecenter servicere og reparere produktet.
- Produktlegemet og -håndtagene skal rengøres med en blød klud efter hver brug. Enhver del, som bliver beskadiget, skal repareres korrekt eller udskiftes hos et autoriseret servicecenter.

YDERLIGERE SIKKERHEDSADVARSLER OM BATTERI

- For at nedsætte risikoen for brand, personskade og produktbeskadigelse på grund af kortslutning må produktet, batteripakken eller opladeren aldrig nedsænkes i en væske, ligesom væsker ikke må flyde ind i dem. Sørg ligeledes for, at der ikke trænger væske ind i enhederne og batterierne. Korroderende eller ledende væsker, f.eks. saltvand, bestemte kemikalier, blegestoffer eller produkter, som indeholder blegemidler, kan forårsage kortslutning.

- Efter hver brug skal man fjerne affald fra knivene med en stiv børste og derefter forsigtigt påføre rustbeskyttelsesmiddel, inden man genmonterer knivbeskytteren. Brug et rustforebyggende smøremiddelspray til påføring i en jævn fordeling, og reducer risikoen for personskade ved kontakt med klingerne. For information mht. passende sprayprodukt henvises til det lokale autoriserede servicecenter.
- Tjek alle møtrikker, bolte og skruer før brug og ved regelmæssige intervaller for at sikre, at de er strammet ordentligt og at produktet er i en sikker funktionstilstand. Enhver del, som bliver beskadiget, skal repareres korrekt eller udskiftes hos et autoriseret servicecenter.



Pas på udslyngede eller flyvende objekter. Hold alle omkringstående, især børn og kæledyr, mindst 15 m væk fra operationsområdet.



Aftag batterisættet før der eventuelt udføres arbejde på produktet.



Garanteret støjniveau

KEND PRODUKTET

Se side 113.

- Klingeafsærmning
- Forhåndtag
- Frontudløser
- Udløser
- Baghåndtag
- Klinge
- HEDGESWEEP-løvfjerner
- Knivdæksel
- Brugsanvisning
- Batteri
- Oplader

SYMBOLER



Sikkerheds varsel



Læs og forstå alle anvisninger inden betjening af produktet. Overhold alle advarsler og sikkerhedsanvisninger.



Brug øjenog hovedbeskyttelse og høreværn.



Brug friktionsfri, kraftige beskyttelseshandsker.



Brug skridsikre sko ved anvendelse af produktet.



For at undgå alvorlige personskader må man ikke røre knivene.



Hold altid produktet med begge hænder, når du betjener det.



Må ikke udsættes for regn eller bruges på fugtige steder.



Bortskaf ikke brugte batterier, elektriske dele og elektronisk udstyr som usorteret kommunalt affald. Brugte batterier, kasserede elektriske dele og elektronisk udstyr skal indsamles separat. Brugte batterier, affaldsakkumulatører og lyskilder skal fjernes fra udstyret. Kontakt din lokale myndighed eller forhandler for rådgivning om genbrug og indsamlingssted. Ifølge lokale bestemmelser er detailhandlere måske forpligtede til gratis at tage kasserede batterier, elektriske dele og elektronisk udstyr retur til bortskaffelse. Dit bidrag til genbrug og genanvendelse af brugte batterier, kasserede elektriske dele og elektronisk udstyr bidrager til at reducere efterspørgslen efter råmaterialer. Kasserede batterier, navnlig indeholdende lithium, og kasserede elektriske dele og elektronisk udstyr indeholder værdifulde og genanvendelige materialer, som kan have en negativ indvirkning på miljøet og menneskers sundhed, hvis det ikke bortskaffes på en miljøvenlig måde. Slet persondata fra eventuelt kasseret udstyr.

SV ÖVERSÄTTNING AV DE URSPRUNGLIGA INSTRUKTIONERNA

Säkerhet, prestanda och pålitlighet har fått högsta prioritet vid utformningen av din sladdlösa häcktrimmer.

ANVÄNDNINGSSOMRÅDE

Den sladdlösa häcktrimmern är avsedd att klippa och trimma häckar, buskar och liknande växtlighet.

Produkten är avsedd för hemma- eller privat bruk. Produkten är enbart avsedd för användning utomhus under torra förhållanden med god belysning. Produkten är inte avsedd för att klippa häckar, buskar och liknande vegetation som är kraftigare än dess klippförmåga.

Får ej användas för annat ändamål.

ALLMÄNNA PRODUKTSÄKERHETSVARNINGAR

⚠ VARNING! Läs uppmärksamt alla varningar, instruktioner och specifikationer som bifogas med detta verktyg och studera bilderna. Om inte alla instruktioner som listas här beaktas kan konsekvensen bli elektriska stötar, brand och/eller allvarliga skador.

Spara dessa varningar och instruktioner för senare behov.

Termen "elektriskt verktyg" i varningarna avser din nätdrivna produkt (med sladd) eller din batteridrivna produkt (utan sladd).

SÄKERHET PÅ ARBETSPLATSEN

- **Se till att arbetsutrymmet är rent och har en tillräcklig belysning.** Skräpiga och mörka utrymmen inbjuder till olyckor.
- **Använd inte elektriska verktyg i explosiv miljö, t. ex. i närheten av lättantändliga vätskor, gaser eller damm.** Gnistor från elektriska verktyg kan sätta eld på dem eller få dem att explodera.
- **Håll barn, besökare och husdjur på avstånd när du använder ett elektriskt verktyg.** De kan störa dig och få dig att förlora kontrollen över verktyget.

ELEKTRISK SÄKERHET

- **Det elektriska verktygets stickkontakt skall vara anpassad till uttaget.** Gör aldrig några ingrepp på stickkontakten. Använd aldrig en adapter med jordade elektriska verktyg. Du minskar därmed riskerna för elektriska stötar.
- **Undvik all kontakt med jordade ytor (som t. ex. rör, värmelement, spisar, kylskåp, etc.).** Riskerna för elektriska stötar ökar, om någon kroppsdel är i kontakt med jordade ytor eller med jordförbindelsen.
- **Utsätt inte elektriska verktyg för regn eller fukt.** Riskerna för elstöt ökar, om vatten tränger in i ett elektriskt verktyg.
- **Se till att nätsladden alltid är i gott skick.** Håll inte i verktyget i sladden och dra inte i verktyget eller i sladden för att koppla ur det. Håll nätsladden på avstånd från värmekällor, olja, vassa föremål och

rörliga delar. Riskerna för elektriska stötar ökar om nätsladden är skadad eller tilltrasslad.

- **Vid arbete utomhus skall du använda endast förlängningssladdar avsedda för utomhusanvändning.** Du minskar därmed riskerna för elektriska stötar.
- **Om du är absolut tvungen att använda ditt verktyg i en fuktig omgivning, anslut det till ett eluttag som skyddas av en brytare för differentialström (RDD).** Användning av en RDD-anordning begränsar riskerna för elektriska stötar.

PERSONLIG SÄKERHET

- **Var vaksam, titta på vad du gör och använd ditt sunda förnuft när du använder ett elektriskt verktyg.** Använd inte verktyget om du är trött, påverkad av alkohol eller droger eller om du tar mediciner. Glöm inte att om du är ouppmärksam bara bråkdelen av en sekund kan du skada dig allvarligt.
- **Använd skyddsanordningar. Skydda alltid ögonen.** Beroende på arbetsförhållandena bör du även använda en skyddsmask mot damm, halksäkra skor, en skyddshjälm eller hörselskydd för att undvika risker för allvarliga kroppsskador.
- **Undvik oavsiktlig igångsättning. Kontrollera att strömbrytaren är ställd på "av" innan du ansluter verktyget till ett uttag och/eller lägger i batteriet, liksom då du tar eller transporterar verktyget.** För att undvika risker för olyckor skall du inte bära omkring verktyget med fingret på avtryckaren och inte ansluta det om strömbrytaren är i påslaget läge.
- **Plocka bort spännnycklarna innan du sätter i gång verktyget.** En spännnyckel som är fäst i en rörlig del av verktyget kan förorsaka allvarliga kroppsskador.
- **Se till att du alltid håller balansen. Stå stadigt på båda benen och sträck inte ut armen för långt.** En stabil arbetsposition gör att man bättre kan kontrollera sitt verktyg, om någonting oförutsett händer.
- **Använd lämpliga kläder. Ha inte lösa kläder eller smycken. Håll hår och kläder på avstånd från rörliga delar.** Lösa kläder, smycken och långt hår kan fastna i rörliga delar.
- **Om verktyget levereras med en anordning som suger upp damm, skall du se till att den monteras och används på rätt sätt.** Du minskar därmed riskerna för olyckor.
- **Även om du har god kännedom och lång erfarenhet i fråga om verktygsanvändning, kom ihåg att beakta alla säkerhetsprinciper för verktygsanvändning.** Ansvarslöst beteende kan leda till allvarliga olyckor på bråkdelen av en sekund.

ANVÄNDNING OCH UNDERHÅLL AV ELEKTRISKA VERKTYG

- **Kör inte verktyget för hårt. Använd ett verktyg som är anpassat till det arbete du vill utföra.** Verktyget är effektivare och säkrare om det används med den hastighet som det är konstruerat för.

- **Använd inte ett elektriskt verktyg, om det inte går att sätta i gång det och stoppa det med strömbrytaren.** Ett verktyg som inte kan sättas på och stängas av korrekt är farligt och måste absolut repareras.
- **Koppla ur kontakten ur strömkällan och/eller plocka ut batteriet, om borttagbart, ur det eldrivna verktyget före eventuella justeringar, byte av tillbehör eller vid förvaring av eldrivna verktyg.** Du minskar då riskerna för oläglig igångsättning av verktyget.
- **Förvara elektriska verktyg utom räckhåll för barn. Låt inte personer som inte känner till verktyget eller inte har tagit del av dessa säkerhetsföreskrifter använda det.** Elektriska verktyg är farliga i händerna på ovana personer.
- **Underhåll av eldrivna verktyg och tillbehör. Kontrollera att ingen del är skadad. Kontrollera monteringen och alla andra delar som kan påverka verktygets funktion. Om någon del är skadad, låt reparera verktyget innan du använder det.** Många olyckor beror på en slarvig skötsel av verktygen.
- **Kom ihåg att hålla verktygen rena och vässade.** Ett väl slipat och rent skärverktyg riskerar mindre att blockeras och du kan då kontrollera det bättre.
- **Använd ditt elektriska verktyg, dess tillbehör, bits, osv. enligt dessa föreskrifter och ta hänsyn till användningsförhållandena och önskade tillämpningar.** Använd ditt elektriska verktyg endast för arbeten till vilka det är anpassat, för att undvika farliga situationer.
- **Håll handtag och greppytor torra, rena och fria från olja och fett.** Håll handtag och greppytor borgar inte för säker hantering av och kontroll över verktyget i oväntade situationer.
- **Använd inte ett batteri eller verktyg som är skadat eller modifierat.** Skadade eller modifierade batterier kan uppvisa oförutsägbara egenskaper som kan leda till brand, explosion eller risk för skador.
- **Utsätt inte ett batteri eller verktyg för eld eller för höga temperaturer.** Exponering för brand eller temperaturer över 130 °C kan orsaka explosion.
- **Följ alla laddningsinstruktioner och ladda inte batteriet eller verktyget utöver det temperaturintervall som anges i anvisningarna.** Felaktig laddning eller laddning utöver det angivna intervallet kan skada batteriet och öka brandrisken.

UNDERHÅLL

- **Alla reparationer måste utföras av en kompetent tekniker, som använder endast ursprungliga reservdelar.** Du kan då använda ditt elektriska verktyg i all trygghet.
- **Utför aldrig service på ett skadat batteri.** Service på batterier får bara utföras av tillverkaren eller auktoriserade serviceleverantörer.

SÄKERHETSVARNINGAR FÖR SLADDLÖS HÄCKTRIMMER

- **Använd inte häcktrimmern vid dåliga väderförhållanden, särskilt när det finns risk för blixtnedslag.** Detta minskar risken för att träffas av blixten.
- **Håll alla strömsladdar och kablar borta från skärområdet.** Strömsladdar eller kablar kan döljas i häckar eller buskar och kan av misstag kapas av bladet.
- **Använd hörselskydd.** Adekvat skyddsutrustning minskar risken för hörselskada.
- **Håll endast häcktrimmern i de isolerade greppytorna, eftersom bladet kan komma i kontakt med dolda ledningar.** Blad eller fästelement som vidrör en "strömförande" ledning kan göra att häcktrimmerns exponerade metalldelar blir "strömförande" och kan leda till att användaren drabbas av en elstöt.
- **Håll alla kroppsdelar borta från sågbladet.** Ta inte bort avskuret material och håll inte i material som ska skäras då klingan är i rörelse. Bladen fortsätter rotera efter att motorn har stängts av. Ett ögonblick av bristande uppmärksamhet vid användning av produkten kan innebära risk för allvarlig personskada.
- **När du rensar bort material som fastnat eller rengör häcksaxen ser du till alla strömbrytare är avstängda och att batteriet har tagits bort eller kopplats bort.** Övntad igångsättning av kantrimmern vid avlägsning av material som sitter fast eller underhåll kan resultera i allvarlig personskada.
- **Bär häcktrimmern i handtaget med avstängt sågblad och var uppmärksam så att du inte trycker på någon strömbrytare.** Korrekt bärande av häcktrimmern kommer att minska risken för oavsiktlig start och resulterande i personskada från sågbladen.

VIKTIGA SÄKERHETSFÖRESKRIFTER FÖR SLADDLÖSA VERKTYG

- **Ladda upp batteriet i ditt verktyg endast med den laddare som anges av fabrikanter.** En laddare som är anpassad till en viss typ av batteri kan förorsaka brand, om den används med batterier av en annan typ.
- **Endast en särskild typ av batteri får användas med ett sladdlöst verktyg.** Användning av andra slags batterier kan förorsaka brand.
- **Då batteriet inte används ska det hållas på avstånd från metallföremål som t. ex. gem, mynt, nycklar, skruvar, spikar eller andra föremål som kan förbinda kontakter sinsemellan.** Kortslutning av batteripolerna kan förorsaka brännskador eller brand.
- **Undvik all kontakt med batterivätska, i händelse av läcka från batteriet p.g.a. en felaktig användning. Om detta ändå händer, skölj omedelbart det berörda området med en stor mängd rent vatten. Om du får vätska i ögonen, sök även läkarhjälp.** Vätska som strömmar ut ur ett batteri kan förorsaka irritationer eller brännskador.

- Montera alltid bladskyddet vid transport eller förvaring av häcktrimmern. Korrekt hantering av häcktrimmern kommer att minska risken för personskada från bladen.

YTTERLIGARE SÄKERHETS FÖRESKRIFTER

- Försök inte skära stjälkar eller kvistar som är större än den skärkapacitet som anges i specifikationstabellen, eller som uppenbarligen är för stora för att matas in i skärbladet. Använd en ej motordriven handsåg för att kapa grova stammar.
- Håll alltid produkten ordentligt med båda händerna på de två handtagen under användning.
- Se över maskinen inför varje användning. Se till att alla reglage fungerar som de ska. Kontrollera lösa fästen, bränsleläckage och liknande. Se till att alla skydd och handtag sitter fast ordentligt. Byt ut eventuella skadade delar före användning. Kontrollera läckor från batteriet.
- Kontrollera häckar och buskar efter främmande föremål, såsom trädstängsel och dolda ledningar.
- Produkten får endast användas på marknivå och inte på en stege eller något annat ostabilt stöd.
- Använd inte produkten vid dålig belysning. Använd enbart produkten i dagsljus eller i bra elljus. Operatören måste ha god överblick över arbetsområdet för att upptäcka potentiella faror.
- När du använder hörselskydd minskar din förmåga att uppfatta varningar (skrik och alarm). Var extra uppmärksam på eventuella risker i och kring arbetsområdet. Låt dig inte distraheras och fokusera alltid på arbetsuppgiften.
- För att minska risken för olycksfall i samband med rörliga delar, stäng alltid av produkten och avlägsna batteripaketet. Låt båda svalna. Se till att samtliga rörliga delar har stannat helt:
 - innan du ändrar arbetsläge för skärmekanismen
 - före service
 - före rensning av en blockering
 - före kontroll av, rengöring av eller arbete med produkten
 - före byte av tillbehör
 - innan produkten lämnas utan uppsikt
 - före du söker efter eventuell skada efter att ha träffat ett föremål
 - före du utför något underhåll
 - när maskinen börjar vibrera onormalt
- Tvinga inte produkten igenom grova buskar. Detta kan orsaka att knivbladen fastnar och saktar ned. Om knivarna saktar ned, reducera hastigheten.
- Om produkten tappas, utsätts för hårda slag eller börjar vibrera onormalt mycket, såsom produkten omedelbart stoppas och kontrolleras för eventuella skador eller orsak till vibrationerna. Skadade delar skall repareras ordentligt eller bytas ut av en auktoriserad servicefirma.
- Använd endast produkten vid temperaturer mellan 0–40 °C.

- Förvara produkten på en plats där omgivningstemperaturen är mellan 0–40 °C.
- Risk för person- eller slitageskador vid användning av verktyget under lång tid. Om en produkt används under en längre tid, var noga med att ta regelbundna pauser.

YTTERLIGARE SÄKERHETS VARNINGAR FÖR BATTERIER

- För att minska risken för brand, personskador och produktskador på grund av kortslutning, sänk aldrig ner produkten, batteripaketet eller laddaren i vätska och låt inte vätska tränga in i dem. Korroderande eller ledande vätskor, som saltvatten, vissa kemikalier, blekningsmedel eller produkter som innehåller blekmedel, kan orsaka en kortslutning.
- Ladda batteripaketet på en plats där omgivningstemperaturen är mellan 10–38 °C.
- Förvara batteripaketet på en plats där omgivningstemperaturen är mellan 0–20 °C.
- Använd batteripaketet på en plats där omgivningstemperaturen är mellan 0–40 °C.

TRANSPORT OCH FÖRVARING

- Stäng av och plocka ur batteripaketet. Se till att samtliga rörliga delar har stannat helt. Låt produkten och batteriet svalna innan du förvarar och transporterar dem.
- Ta bort allt främmande material från produkten. Förvara eller transporterar inte produkten med batteripaketet installerat. Avlägsna batteripaketet och säkra det separat. Förvara den svalt och välventilerat på en plats där barn inte kan komma åt den. Håll produkten borta från frätande ämnen, såsom trädgårdskemikalier och vägsalt. Förvara inte produkten utomhus.
- Montera bladskyddet före du förvarar produkten eller vid transport.
- Vid transport ska produkten säkras mot rörelser eller fallande för att förhindra personskador eller att produkten skadas.

TRANSPORTERA LITIUMBATTERIER

- Transportera batterier enligt lokala och nationella riktlinjer och föreskrifter.
- Följ alla särskilda krav på förpackning och etikettering vid transport av batterier som utförs av tredje part. Se till att inga batterier kan komma i kontakt med andra batterier eller ledande material under transporten genom att skydda exponerade kontaktytor med isolerande, icke ledande överdrag eller tejp. Transportera aldrig batterier som har spruckit eller som läcker. Kontrollera med det transporterande företaget för vidare rådgivning.

UNDERHÅLL

- Använd enbart reservdelar och tillbehör från tillverkaren. Om inte kan det eventuellt orsaka skador, sämre resultat och kan upphäva garantin.
- Att serva produkten kräver extrem försiktighet och kunskap och bör endast utföras av en kvalificerad

servicetekniker. Produkten får endast repareras på ett auktoriserat servicecenter.

- Skärbladen är extremt vassa. För att förhindra kroppsskada, var mycket försiktig när bladskyddet rengörs, smörjs, sätts på plats eller tas bort.
- Stäng av och plocka ur batteripaketet. Låt båda svalna. Säkerställ att alla rörliga delar har stannat helt före eventuell rengöring eller eventuell underhåll.
- Du kan göra de justeringar och reparationer som beskrivs i den här manualen. För övrig och reparation, låt endast ett auktoriserat servicecenter utföra dessa arbeten.
- Efter varje användning ska produktens yttre och handtag rengöras med en torr, mjuk trasa. Skadade delar skall repareras ordentligt eller bytas ut av en auktoriserad servicefirma.
- Efter varje användning ska skräp rensas bort från bladen med en styv borste, rostskyddsmedel appliceras och bladskyddet fästas på nytt. Använd rostskyddande smörjmedelssprej för att applicera ett jämnt lager och minska risken för personskada vid kontakt med bladen. Information om lämpligt rostskyddsspray finns hos auktoriserat servicecenter.
- Kontrollera alla muttrar, bultar och skruvar före varje användning och med täta intervall, så att de är ordentligt åtdragna och så att produkten är i säkert skick för användning. Skadade delar skall repareras ordentligt eller bytas ut av en auktoriserad servicefirma.

LÄR KÄNNA PRODUKTEN

Se sida 113.

1. Bladskydd
2. Främre handtag
3. Avtryckare på framsidan
4. Utlösare
5. Bakre handtag
6. Blad
7. HEDGESWEEP klippbortföraren
8. Bladskydd
9. Bruksanvisning
10. Batteri
11. Batteriladdare

SYMBOLER



Säkerhetsvarning



Läs och se till att du förstär alla anvisningar innan du använder produkten. Följ alla varningar och säkerhetsanvisningar.



Använd skyddsglasögon, hörselskydd och hjälm.



Använd kraftiga, halkskyddade handskar.



Bär halkfria skyddsskor vid användning av produkten.



För att undvika allvarlig personskada ska inte skärbladen vidröras.



Håll alltid produkten med båda händerna när du använder den.



Utsätt inte för regn eller våta omgivningar.



Se upp för kringkastade eller flygande föremål. Alla åskådare, särskilt barn och husdjur, ska befinna sig minst 15 m från arbetsområdet.



Ta bort batteripaketet innan du påbörjar arbete på produkten.



Garanterad ljudeffektsnivå

Kassera inte uttjänta batterier, elavfall och elektronisk utrustning som restavfall. Uttjänta batterier, elavfall och elektronisk utrustning måste samlas in separat. Uttjänta batterier, uttjänta ackumulatörer och ljuskällor måste avlägsnas från utrustningen. Fråga din lokala myndighet eller återförsäljare om återvinningsråd och uppsamlingsplats. Beroende på lokala bestämmelser kan återförsäljare vara skyldiga att kostnadsfritt ta tillbaka uttjänta batterier samt elektriskt och elektroniskt avfall. Ditt bidrag till återanvändning och återvinning av uttjänta batterier samt elektriskt och elektroniskt avfall bidrar till att minska behovet av råmaterial. Uttjänta batterier, särskilt litiumbatterier, samt elavfall och elektronisk utrustning innehåller värdefulla och återvinningsbara material som kan påverka miljön och människors hälsa negativt, om de inte kasseras på ett miljömässigt sätt. Radera eventuella personuppgifter från avfallsutrustningen.



FI ALKUPERÄISTEN OHJEIDEN SUOMENNOS

Turvallisuus, tehokkuus ja käyttövarmuus ovat langattoman pensasleikkurimme tärkeimpiä ominaisuuksia.

KÄYTTÖTARKOITUS

Langaton pensasleikkuri on tarkoitettu pensasaitojen, pensaiden ja vastaavan kasvillisuuden leikkaamiseen ja trimmaamiseen.

Tuote on tarkoitettu kotikäyttöön. Tuote on tarkoitettu käytettäväksi ainoastaan ulkona, kuivissa ja hyvin valaistuissa olosuhteissa. Laite ei ole tarkoitettu pensasaidoille, pensaille ja vastaaville, joissa katkaistavan materiaalin läpimitta ylittää leikkurin kapasiteetin.

Älä käytä muihin tarkoituksiin.

YLEISET TUOTETURVAVAROITUKSET

VAROITUS! Lue tarkkaavaisesti kaikki tämän työkalun kanssa toimitetut varoitukset, ohjeet ja spesifikaatioit, ja katso lisäksi kuvat. Seuraavassa luetteltujen ohjeiden laiminlyönti saattaa johtaa sähköiskuun, tulipaloon ja/tai vakavaan henkilövammaan.

Säilytä nämä varoitukset ja ohjeet myöhempiä tarvetta varten.

Varoituksissa termillä "sähkötyökalu" viitataan sähkö- (johdolliseen) tai akkukäyttöiseen (johdottomaan) tuotteeseen.

TYÖSKENTELYALUEEN TURVALLISUUS

- **Pidä työskentelyalue puhtaana ja hyvin valaistuna.** Epäjärjestyksessä olevat ja pimeät alueet myötävaikuttavat onnettomuuksiin.
- **Älä käytä sähkötyökaluja räjähdysvaarallisessa ympäristössä, kuten helposti syttyvien nesteiden, kaasun tai pölyn läheisyydessä.** Sähkötyökaluista lähtevät kipinät voivat sytyttää ne palamaan tai räjäyttää ne.
- **Pidä lapset, ulkopuoliset ja kotieläimet syrjässä, kun työskentelet sähkötyökaluilla.** Vaarana on huomion pois kääntyminen ja työkalun hallinnan menettäminen.

SÄHKÖTURVALLISUUS

- **Sähkötyökalun pistokkeen on sovelluttava pistokyttimeen. Älä koskaan korjaa pistoketta. Älä koskaan käytä sovitinta maadoitettujen sähkötyökalujen kanssa.** Vältä sähköiskuvaaran.
- **Älä koske maadoitettuihin pintoihin (putket, lämpöpatterit, liedet, jääkaapit jne.).** Sähköiskuvaara kasvaa, jos joku ruumiinosaa on kosketuksessa maadoitettuihin pintoihin.
- **Älä jätä sähkötyökalua sateeseen tai kosteaan paikkaan.** Sähköiskuvaara kasvaa, jos sähkötyökalun sisäosiin pääsee vettä.
- **Pidä liitäntäjohto hyväkuntoisena. Älä koskaan pidä työkalua liitäntäjohdosta, äläkä vedä liitäntäjohdosta sen irrottamiseksi verkkovirrasta. Pidä liitäntäjohto kaukana lämpölähteistä, öljystä, terävistä esineistä ja liikkuvista osista.** Sähköiskuvaara kasvaa, jos liitäntäjohto on viallinen tai sotkuilla.

- **Kun työskentelet ulkona, käytä yksinomaan ulkokäyttöön sopivia jatkojohtoja.** Vältä sähköiskuvaaran.
- **Jos et pysty välttämään työkalun käyttöä kosteassa ympäristössä, kytkä se differentiaalivirtalaitteella (DDR) suojattuun virransyöttöön.** RCD -laitteen käyttö rajoittaa sähköiskuvaaraa.

HENKILÖTURVALLISUUS

- **Pysy valppaana, katso mitä teet ja käytä tervettä järkeä kun käytät sähkötyökalua. Älä käytä sähkötyökalua mikäli olet väsynyt, alkoholin tai huumeiden vaikutuksen alainen tai mikäli olet lääkekuurilla.** Muista aina, että hetken kestävä huolimattomuus voi johtaa vakavaan loukkaantumiseen.
- **Käytä suojalaitteita. Suojaa aina silmät.** Olosuhteista riippuen, käytä myös pölynsuojanaamaria, liukumattomia turvajalkineita, suojakypärää ja kuulonsuojaimia vakavien ruumiinvammojen välttämiseksi.
- **Ehkäise vahingossa tapahtuvat käynnistykset. Varmista, että katkaisin on "seis" asennossa ennen, kuin kytket työkalun verkkovirtaan tai asennat siihen akun sekä myös silloin, kun kannat tai kuljetat työkalua.** Onnettomuuksien ehkäisemiseksi, älä siirrä työkalua sormen ollessa liipaisimella äläkä kytkä sitä verkkovirtaan tai asenna siihen akkua, kun katkaisin on "käynnissä" asennossa.
- **Poista kiristysavaimet ennen kuin käynnistät työkalun.** Työkalun liikkuvaan osaan unohtunut kiristysavain voi aiheuttaa vakavia ruumiinvammoja.
- **Etsi aina asento, jossa pysyt tasapainossa. Pysyttele tukevasti jaloillasi äläkä kurkota käsivartta liian kauas.** Tukeva työskentelyasento sallii työkalun moitteettoman hallinnan kaikissa olosuhteissa.
- **Käytä sopivia pukimia. Älä pukeudu väljiin vaatteisiin ja koruihin. Pidä hiuksesi ja vaatteesi loitolla liikkuvista osista.** Vältä vaatteet, korut ja pitkät hiukset voivat tarttua liikkuviin osiin.
- **Jos työkalun mukana toimitetaan pölynkokoajajärjestelmä, asenna ja käytä sitä oikein.** Vältä tapaturmavaaran.
- **Vaikka koneen paljosta käytöstä tulisi sinulle rutiini, muista aina noudattaa turvallisuusmääräyksiä.** Huolimaton toiminta voi aiheuttaa vakavat vammat sekunnin murto-osassa.

SÄHKÖTYÖKALUJEN KÄYTTÖ JA HUOLTO

- **Älä pakota työkalua. Käytä työhön sopivaa työkalua.** Sähkötyökalu on tehokkaampi ja varmempi, jos käytät sitä sille sopivalla pyörimisnopeudella.
- **Älä käytä sähkötyökalua, jos sitä ei voida käynnistää ja sammuttaa katkaisimella.** Työkalu, jota ei voida käynnistää ja katkaista oikealla tavalla on vaarallinen ja se on korjattava välittömästi.
- **Irrota pistoke virtalähteestä ja/tai poista akku, jos irrotettavissa, konetyökalusta ennen kuin teet mitään säätöjä, vaihdat lisälaitteen tai varastoit koneen.** Vältä epähuomiossa tapahtuvat työkalun käynnistykset.

- **Varastoi sähkötyökalut aina lasten ulottumattomiin. Älä anna kokemattomien tai turvallisuusohjeita tuntemattomien henkilöiden käyttää työkalua.** Sähkötyökalut ovat vaarallisia kokemattomien henkilöiden käsissä.
- **Konetyökalun ja lisälaitteen huolto.** Tarkista liikkuvien osien kohtisuus. Tarkista, ettei yksikään osa ole rikkoutunut. Tarkista asennus ja kaikki osat, jotka voivat vaikuttaa haitallisesti työkalun toimintaan. Mikäli viallisia osia on, korjauta työkalu ennen sen käyttöä. Onnettomuuksien aiheuttajana on usein työkalun huolimaton kunnossapito.
- **Pidä työkalut puhtaina ja terävinä.** Kiinni tarttuminen on harvinaisempaa ja hallinnan säilyttäminen helpompaa, kun leikkuutyökalu on hyvin teroitettu ja puhdas.
- **Käytä sähkötyökalua, sen varusteita, teriä jne. näiden käyttöohjeiden mukaisesti ja huomioi käyttöolosuhteet sekä toivotut käyttötarkoitukset.** Vaarallisten tilanteiden ehkäisemiseksi, älä käytä työkalua muuhun, kuin sille tarkoitettuun työhön.
- **Pidä kädensijat ja tarttumapinnat kuivina ja puhtaina öljy- ja rasvatuhoista sekä muusta liasta.** Liukkaat kädensijat ja tarttumapinnat vaarantavat koneen turvallisen käsittelyn ja ohjaamisen yllättävissä tilanteissa.

JOHDOTTOMIA TYÖKALUJA KOSKEVAT ERIKOISTURVAOHJEET

- **Älä lataa työkalun akkua muulla, kuin valmistajan suosittelemalla latauslaitteella.** Latauslaite on tarkoitettu ennalta määrätyille akkutyypeille ja se voi aiheuttaa tulipalon, jos sitä käytetään muuntuyppisen akun lataukseen.
- **Johdottoman työkalun kanssa tulee käyttää vain yhtä erityistä akkutyyppeä.** Muunlaisten akkujen käyttö voi aiheuttaa tulipalon.
- **Kun akku ei ole käytössä, pidä se kaukana metalliesineistä kuten liittimistä, kolikoista, avaimista, nauloista, ruuveista ja muista esineistä, jotka saattavat aiheuttaa napojen keskinäisen kytkeytymisen.** Akun napojen oikosulkuun saattaminen voi aiheuttaa palovammoja tai tulipalon.
- **Vältä koskemasta akkunesteeseen liian raskaan käytön aiheuttaman vuodon yhteydessä.** Mikäli näin tapahtuu, huuhtele välittömästi saastunut alue runsaalla puhtaalla vedellä. Jos nestettä on joutunut silmiin, ota yhteys lääkäriin. Akkuneste voi aiheuttaa ärsytysherkkyyttä tai palovammoja.
- **Älä käytä akkua tai työkalua, joka on vaurioitunut tai jota on muunneltu.** Vaurioituneet tai muunnellut akut saattavat aiheuttaa tulipalon, räjähdysten tai henkilövamman.
- **Älä pidä akkua tai työkalua tulen tai muun kuumen lämmönlähteen lähellä.** Altistaminen yli 130 °C :n lämpötilalle voi aiheuttaa räjähdysten.
- **Noudata lataamisesta annettuja ohjeita ja älä lataa akkua tai työkalua ohjeissa määritellyn lämpötila-**

alueen ulkopuolella. Väärällä tavalla tai määrittelyn lämpötila-alueen ulkopuolella lataaminen saattaa vaurioittaa akkua ja lisätä tulipalon riskiä.

HUOLTO

- **Kaikki korjaustyöt on annettava ammattitaitoisen huoltomiehen tehtäväksi ja vaihdossa on käytettävä yksinomaan alkuperäisiä varaosia.** Näin toimien voit käyttää sähkötyökalua täysin turvallisesti.
- **Älä koskaan käytä vaurioitunutta akkua.** Akkua saa huoltaa vain sen valmistaja tai valtuutettu palveluntarjoaja.

LANGATTOMAN PENSASLEIKKURIN TURVALLISUUSVAROITUKSET

- **Älä käytä pensasleikkuria huonolla säällä, varsinkaan, jos on vaaraa salamoinnista.** Tämä pienentää riskiä salamaniskun kohteeksi joutumisesta.
- **Pidä kaikki virtajohdot ja kaapelit kaukana leikkuaalueelta.** Virtajohdot tai -kaapelit voivat olla piilossa pensasaidassa tai pensaisissa, jolloin terä voi vahingossa leikata niitä.
- **Käytä kuulosuojaimia.** Riittävät suojavarusteet vähentävät kuulonmenetyksen riskiä.
- **Pidä pensasleikkurista kiinni vain eristetystä pitopinnasta, sillä terä saattaa koskea piilossa olevia johtoja.** Jos terät koskettavat jännitteellistä johtoa, virta saattaa kulkeutua pensasleikkurin metalliosien kautta käyttäjään ja aiheuttaa sähköiskun.
- **Pidä kaikki kehonosat loitolla terästä.** Älä poista leikkumateriaalia tai pitele sitä terien liikkueissa. Terät jatkavat pyörimistään moottorin sammumisen jälkeenkin. Tarkkaamattomuus tuotetta käytettäessä saattaa johtaa vakavaan loukkaantumiseen.
- **Kun poistat juuttunutta materiaalia tai huollat pensasleikkuria, varmista, että kaikki virtakytkimet ovat OFF-asennossa ja akku on poistettu tai kytketty irti.** Pensasleikkurin odottamaton toiminta tukoksen selvittämisen tai huoltotoimenpiteen aikana voi johtaa vakavaan henkilövammaan.
- **Kanna pensasleikkuria kädensijasta terä pysähtyneenä, ja varo käyttämästä virtakytkintä.** Pensasleikkurin asianmukainen kantaminen pienentää tahattoman käynnistymisen ja siitä johtuvan terien aiheuttaman henkilövahingon riskiä.
- **Asenna aina teräsuojus, kun kuljetat pensasleikkuria tai laitat sen säilytykseen.** Pensasleikkurin asianmukainen käsittely pienentää henkilövahinkojen riskiä.

MUITA TURVALLISUUSVAROITUKSIA

- **Älä yritä katkaista varsia tai oksia, jotka ovat suurempia kuin laitteen teknisissä tiedoissa määritetyn laitteen leikkauskapasiteetti, tai jotka ovat selvästi liian isoja leikkua-alueelle syötettäväksi.** Trimmaa paksummat varret käsikäyttöisellä sahalla tai karsintasahalla.
- **Kun käytät tuotetta, pitele aina tiukasti kiinni kahdesta kahvasta molemmin käsin.**

- Tarkasta laite aina ennen käyttöä. Tarkista, että kaikki hallintalaitteet toimivat asianmukaisesti. Tarkista, onko laitteessa löyisiä kiinnikkeitä, polttoainevuotoja tms. Varmista, että kaikki suojukset ja kädensijat on kiinnitetty tukevasti. Vaihda kaikki vioittuneet osat ennen käyttöä. Tarkista, onko akussa vuotoja.
- Tarkista, ettei pensasaidoissa ja pensaissa ole vieraita esineitä, kuten aitalankoja ja piilossa olevia johtoja.
- Laitetta saa käyttää vain maanpinnan tasolta, ei tikkailla eikä miltaan muulta epävakaalta alustalta.
- Älä käytä laitetta huonosti valaistuissa olosuhteissa. Käytä tuotetta ainoastaan päivänvalossa tai hyvässä keinovalossa. Käyttäjällä on oltava esteetön näkyvyys työalueelle, jotta hän näkee mahdolliset vaaratekijät.
- Kuulosuojaimet vaikeuttavat varoitusten kuulemista (hälytyksiä ja huutoja). Kiinnitä erityistä huomiota mahdollisiin vaaratekijöihin työalueella ja sen ympärillä. Kun käytät puhallinta, keskity koko huomiolasi siihen tehtävään.
- Liikkuvien osien kanssa kosketuksiin joutumiseen liittyvän tapaturmavaaran välttämiseksi laite on aina sammutettava ja akkupakkaus poistettava. Anna molempien jäähtyä. Varmista, että kaikki liikkuvat osat ovat pysähtyneet täysin:
 - ennen leikkuuvälineiden työasennon säätämistä
 - ennen huoltoa
 - ennen tukoksen poistamista
 - ennen tuotteen tarkastusta, puhdistusta ja huoltoa
 - ennen lisävarusteiden vaihtamista
 - ennen laitteen luota poistumista
 - tarkista laite vaurioiden varalta aina käytön jälkeen
 - ennen huoltoa
 - jos tuote alkaa tärinästä epänormaalisti
- Älä pakota laitetta vahvan pensaikon läpi. Tämä voi saada terän tarttumaan ja hidastumaan. Jos terä hidastuvat, hidasta tahtia.
- Jos tuote putoaa, saa kovan iskun tai alkaa tärinästä normaalia enemmän, sammuta se heti ja tarkista se vaurioiden varalta tai paikanna tärinän syy. Valtuutetun huoltopisteen on korjattava tai vaihdettava vioittuneet osat asianmukaisesti.
- Käytä tuotetta vain 0–40 °C:n lämpötilassa.
- Säilytä tuotetta paikassa, jossa ympäristölämpötila on 0 °C–40 °C.
- Laitteen pitkittynyt käyttö voi aiheuttaa tai vaikeuttaa vammoja. Jos käytät laitetta jatkuvasti pitkään, muista pitää työssä säännöllisiä taukoja.
- Lataa akku paikassa, jossa ympäristön lämpötila on välillä 10 °C–38 °C.
- Säilytä akkupakkausta paikassa, jossa ympäristön lämpötila on välillä 0 °C–20 °C.
- Käytä akkupakkausta paikassa, jossa ympäristön lämpötila on välillä 0 °C–40 °C.

KULJETUS JA VARASTOITAESSA

- Katkaise virta ja irrota akku. Varmista, että kaikki liikkuvat osat ovat pysähtyneet täysin. Anna tuotteen ja akun jäähtyä ennen varastointia tai kuljetusta.
- Puhdista laitteesta kaikki vieraat materiaalit. Älä varasto äläkä kuljeta laitetta akun ollessa paikallaan. Poista akkupakkaus ja varmista sen turvallisuus erikseen. Varastoi laite viileään, kuivaan ja hyvin tuuletettuun paikkaan, jossa lapset eivät pääse siihen käsiksi. Pidä tuote erillään syövyttävistä aineista, kuten puutarhakemikaaleista ja jäänestosuolasta. Älä säilytä laitetta ukonka.
- Laita teräsuojus paikalleen ennen laitteen varastointia tai kuljetuksen ajaksi.
- Kiinnitä tuote kuljetettaessa siten, että se ei pääse liikkumaan tai kaatumaan, jotta välttyä loukkaantumisilta ja vaurioilta.

LITUMAKKIJEN KULJETTAMINEN

- Kuljeta akkuja paikallisten ja kansallisten ehtojen ja säädösten mukaisesti.
- Noudata kaikkia pakkaamista ja nimeämistä koskevia erikoissäädöksiä, kun kolmas osapuoli kuljettaa akkuja. Varmista, että mikään akku ei kosketa muita akkuja tai johtavaa materiaalia kuljetuksen aikana suojaamalla paljaat navat eristävillä, johtamattomilla korkeilla tai teipillä. Älä kuljeta akkuja, jotka ovat halkeilleet tai vuotavat. Kysy välityritykseltä lisäneuvoja.

HUOLTO

- Käytä ainoastaan alkuperäisiä valmistajan tuottamia varaosia, lisälaitteita ja lisävarusteita. Tämän noudattamatta jättäminen voi johtaa loukkaantumiseen ja huonoon tulokseen ja voi mitätöidä takuun.
- Huolto kaipaa suurta huolellisuutta ja hyvää työkalun tuntemusta: Se on annettava pätevän tekniikon tehtäväksi. Teetä huollot ainoastaan valtuutetussa huoltoilikkeessä.
- Terät ovat erittäin teräviä. Noudata erityistä varovaisuutta, kun puhdistat, voitelet, asennat tai irrotat teräsuojusta, siten välttyä loukkaantumisilta.
- Katkaise virta ja irrota akku. Anna molempien jäähtyä. Varmista, että laitteen kaikki liikkuvat osat ovat pysähtyneet täysin, ennen kuin alat puhdistaa tai huoltaa sitä.
- Voit tehdä tässä käyttöoppaassa kuvattuja säätöjä ja korjauksia. Huollata ja korjata laite ainoastaan valtuutetussa huoltoilikkeessä.

MUITA AKUN TURVALLISUUSVAROITUKSIA

- Jotta oikosulusta aiheutuva tulipalon, loukkaantumisen ja tuotevaurion riski olisi pienempi, älä koskaan upota akkupakkausta tai laturia nesteeseen tai päästä nestettä niiden sisälle. Syövyttävät tai sähköä johtavat nesteet, kuten suolavesi, tietyt kemikaalit ja lalkaisuaineet tai valkaisuaineita sisältävät tuotteet voivat aiheuttaa lyhtysulun.

- Puhdista tuotteet runko ja kahvat pehmeällä, kuivalla liinalla jokaisen käyttökerran jälkeen. Valtuutetun huoltopisteen on korjattava tai vaihdettava vioittuneet osat asianmukaisesti.
- Puhdista roskat jokaisen käyttökerran jälkeen teristä kovalla harjalla ja levitä sen jälkeen huolella ruosteesto-voiteluinetta ennen teränsuojuksen kiinnittämistä. Levitä kerros ruosteesto- ja voitelusuihketta tasaisesti joka puolelle ja vähennä riskiä teriin koskemisesta johtuvasta henkilövahingosta. Lisätietoja asianmukaisesta suihkeesta saa paikallisesta valtuutetusta huollosta.
- Tarkista kaikkien muttereiden, pulttien ja ruuvien kireys ennen jokaista käyttökertaa ja säännöllisin aikavälein laitteen turvallisuuden takaamiseksi. Valtuutetun huoltopisteen on korjattava tai vaihdettava vioittuneet osat asianmukaisesti.



Älä altista konetta sateelle tai kosteudelle.



Varo sinkoutuneita ja muita lentäviä esineitä. Pidä kaikki sivulliset, erityisesti lapset ja lemmikit, vähintään 15 metrin päässä työskentelyalueelta.



Irrota akkuyksikkö laitteesta ennen kuin teet siihen mitään toimenpiteitä.



Taattu äänenteho

TUNNE TUOTTEESI

Katso sivu 113.

1. Teränsuojus
2. Etukädensija
3. Etuliipaisin
4. Liipaisin
5. Takakädensija
6. Terä
7. HEDGESWEEP-puhdistuslaite
8. Terän suojus
9. Manuaalinen leikkuu
10. Akku
11. Laturi

SYMBOLIT



Varoitus



Kaikki ohjeet on luettava ja ymmärrettävä ennen tuotteen käyttöä. Noudata varoituksia ja turvallisuusohjeita.



Käytä suojalaseja, kuulosuojaimia ja suojakypärää.



Käytä luisumattomia raskaan käytön suojakäsineitä.



Käytä liukuesteellisiä turvajalkineita laitteen käytön aikana.



Älä kosketa teriin, jotta välttyt vakavalta loukkaantumiselta.



Pidä aina laitteesta molemmin käsin, kun käytät sitä.



Älä hävitä käytettyjä akkuja sekä sähkö- ja elektroniikkalaiteromua lajittelemattomana yhdyskuntajätteenä. Käytetyt akut sekä sähkö- ja elektroniikkalaiteromu on kerättävä erikseen. Käytetyt paristot ja akut ja hukkavalonlähteet on poistettava laitteista. Kysy paikalliselta viranomaiselta tai jälleenmyyjältä kierrätysneuvoja ja tietoja keräyspisteistä. Paikallisten määräysten mukaan jälleenmyyjillä voi olla velvollisuus ottaa käytetyt akut sekä sähkö- ja elektroniikkalaiteromu takaisin veloitusetta. Panoksesi käytettyjen akkujen sekä sähkö- ja elektroniikkalaiteromun uudelleenkäyttöön ja kierrätykseen auttaa vähentämään raaka-aineiden kysyntää. Käytetyt, erityisesti litiumia sisältävät akut sekä sähkö- ja elektroniikkalaiteromu sisältävät arvokkaita ja kierrätettäviä materiaaleja, jotka voivat vaikuttaa haitallisesti ympäristöön ja ihmisten terveyteen, jos niitä ei hävitetä ympäristöstävällisellä tavalla. Poista mahdolliset henkilötiedot jätelaitteista.

NO OVERSETTELSE AV DE ORIGINALE INSTRUKSJONENE

Sikkerhet, ytelse og pålitelighet har hatt topp prioritet under konstruksjonen av denne trådløse hekktrimmeren.

TILTENKT BRUK

Den trådløse hekktrimmeren er beregnet til å kutte og trimme hekker, busker og lignende vegetasjon.

Dette produktet er konstruert for hjemmebruk. Produktet er kun beregnet til bruk utendørs, ved tørre og godt belyste forhold. Produktet er ikke beregnet til å kutte hekker, busker og lignende vekstre med den diameter større enn dets kuttekapasitet.

Den skal ikke brukes til noe annet formål.

GENERELLE SIKKERHETSADVARSLER FOR PRODUKTET

⚠ ADVARSEL! Les nøye gjennom alle advarslene, instruksene og spesifikasjonene som følger med verktøyet, og se på tegningene. Hvis ikke alle instruksjonene nedenfor blir fulgt, kan det føre til elektrisk støt, brann eller alvorlig personskade.

Ta vare på disse advarslene og instruksene for å se i dem senere.

Betegnelsen “elektroverktøy” i advarslene refererer til strømledningsdrevet produkt eller batteridrevet (trådløst) produkt.

ARBEIDSOMRÅDETS SIKKERHET

- **Hold arbeidsområdet rent og godt belyst.** Uryddige og dårlig opplyste områder fører lett til ulykker.
- **Bruk ikke elektroverktøy i eksplosive omgivelser, for eksempel i nærheten av brennbare væsker, gass eller støv.** Gnister fra elektroverktøy kan sette fyr på dem eller få dem til å eksplodere.
- **Hold barn, besøkende og dyr unna når du bruker et elektroverktøy.** De kan avlede oppmerksomheten din og få deg til å miste kontroll over verktøyet.

ELEKTRISK SIKKERHET

- **Elektroverktøyet støpsel skal passe til stikkkontakten.** Ikke foreta noe på støpselet. **Bruk aldri en adapter sammen med jordete elektroverktøy.** Dermed unngår du faren for elektrisk støt.
- **Unngå all kontakt med jordete overflater (rør, radiatorer, komfyrer, kjøleskap o.l.).** Faren for elektrisk støt øker hvis en del av kroppen er i kontakt med jordete overflater.
- **Ikke utsett et elektroverktøy for regn eller fuktighet.** Faren for elektrisk støt øker hvis det kommer vann inn i elektroverktøyet.
- **Sørg for å holde kablen i god stand.** Hold aldri verktøyet i kablen og dra aldri i kablen for å trekke støpselet ut av stikkkontakten. Hold kablen unna enhver varmekilde, olje, skarpe gjenstander og bevegelige deler. Faren for elektrisk støt øker hvis kablen er skadet eller floket.

- **Når du arbeider utendørs, må du kun bruke forlengeskabler som er beregnet på utendørs bruk.** Dermed unngår du faren for elektrisk støt.
- **Hvis du ikke kan unngå å bruke verktøyet i fuktige omgivelser, skal du koble deg til et strømmett som er beskyttet med en reststrømminnretning.** Bruken av en reststrømminnretning begrenser faren for elektrisk støt.

PERSONLIG SIKKERHET

- **Vær alltid på vakt, følg godt med det du gjør og bruk sunn fornuft når du bruker et elektroverktøy. Bruk ikke elektroverktøyet hvis du er trett, påvirket av alkohol eller narkotika, eller hvis du tar medisiner.** Husk at uforsikthet i en brøkdell av et sekund er nok til at du kan skade deg selv alvorlig.
- **Bruk verneutstyr. Beskytt alltid øynene.** Alt etter omstendighetene, bør du også bruke støvmaske, skliskire sko, hjelm eller hørselvern for å beskytte deg mot alvorlige personskader.
- **Unngå utilsiktet start. Påse at av/på bryteren står på ”av” før du kobler verktøyet til en stikkontakt eller setter inn batteriet, og når du skal ta eller frakte verktøyet.** For å unngå all fare for ulykke, skal du ikke ha fingeren på av/på bryteren når du frakter verktøyet, ikke koble det til strømmettet eller sette inn batteriet hvis bryteren står på ”på”.
- **Ta ut skrunøkene før du starter verktøyet.** Hvis en skrunøkkel blir liggende fast på en bevegelig del av verktøyet, kan det forårsake alvorlige personskader.
- **Pass på at du alltid holder balansen. Stå støtt på bena og strekk ikke armen for langt.** Hvis du står i en stabil arbeidsstilling, kan du lettere kontrollere verktøyet dersom det skjer noe uventet.
- **Bruk egnede klær. Bruk ikke løstsittende klær og smykker. Hold hår og klær unna bevegelige deler.** Løstsittende klær, smykker og langt hår kan fanges opp av bevegelige deler.
- **Hvis verktøyet er levert med et støvavsugingsystem, må du påse at det er riktig installert og at det brukes.** Du unngår dermed faren for ulykker.
- **Pass på at du ikke blir så vant til å bruke verktøyet at du begynner å ignorere sikkerheten rundt bruken av verktøyet.** Uforsikthet kan føre til alvorlig skade på et øyeblikk.

BRUK OG VEDLIKEHOLD AV ELEKTROVERKTØY

- **Ikke bruk makt på verktøyet ditt. Bruk det verktøyet som egner seg til det arbeidet du skal utføre.** Elektroverktøyet er mer effektivt og sikkert hvis det brukes i det turtallet det er konstruert for.
- **Bruk ikke et elektroverktøy hvis du ikke får startet og stoppet det med av/på bryteren.** Et verktøy som ikke kan slås på og av ordentlig er farlig og må absolutt repareres.
- **Trekk støpselet ut av stikkkontakten og fjern eventuelt batteriet fra verktøyet hvis dette er mulig når du skal foretar justeringer, skifte tilbehør eller**

legge verktøyet bort. Dermed reduseres faren for at verktøyet starter utilsikket.

- **Rydd elektroverktøyene dine utenfor barns rekkevidde. La ikke personer som ikke kjenner verktøyet eller ikke har lest disse forskriftene bruke verktøyet.** Elektroverktøy er farlige når de brukes av uerfarne personer.
- **Hold elektroverktøy og tilbehør i god stand. Kontroller de bevegelige delenes innstilling. Sjekk at ingen deler er brukket. Kontroller monteringen og alle andre elementer som kan virke inn på verktøyets drift. Hvis enkelte deler er skadet, må du få verktøyet reparert før du tar det i bruk igjen.** Mange ulykker skyldes dårlig vedlikehold av verktøyene.
- **Hold verktøyene dine rene og skarpe.** Et skjæreverktøy som er rent og godt skjerpet har ikke så lett for å låses fast og er lettere å kontrollere.
- **Bruk elektroverktøyet, tilbehørene, bitsene osv. i henhold til denne bruksanvisningen og ta hensyn til bruksforholdene og de ønskede bruksområdene.** For å unngå farlige situasjoner, skal du bare bruke elektroverktøyet til de arbeidsoppgavene det er konstruert for.
- **Hold håndtak og gripeflater tørre, rene og frie for olje og fett.** Hvis håndtak og gripeflater er glatte, hindrer dette sikker håndtering og kontroll over verktøyet i uventede situasjoner.

SPESIELLE SIKKERHETSFRSKRIFTER FOR OPPLADBARE VERKTØY

- **Lad verktøyets batteri kun opp med det ladeapparatet som anbefales av fabrikanten.** Et ladeapparat som egner seg til en viss batteritype kan forårsake brann hvis det brukes med en annen batteritype.
- **Det skal bare brukes en bestemt batteritype med et oppladbart verktøy.** Bruken av et annet batteri kan forårsake brann.
- **Når batteriet ikke er i bruk, skal det holdes unna metallgjenstander som binders, mynter, nøkler, skruer, spikre og andre små gjenstander som kan koble kontaktene til hverandre.** Kortslutning av batteriets kontakter kan medføre brannskår eller brann.
- **Unngå all kontakt med batterivæsken dersom batteriet lekker på grunn av misbruk. Hvis det skulle hende, må det berørte området skylles rikelig med rent vann. Hvis du har fått væske i øynene, må du dessuten oppsøke en lege.** Væske som kommer ut av batteriet kan forårsake sår eller brannskår.
- **Ikke bruk et batteri eller et verktøy som er skadet eller endret.** Batterier som er skadet eller modifisert, kan forårsake uforutsigbare hendelser og forårsake brann, eksplosjoner eller fare for personskade.
- **Ikke utsett batteriet eller verktøyet for ild eller høy temperatur.** Hvis de utsettes for ild eller temperaturer over 130 °C, kan dette føre til eksplosjon.

- **Følg alle oppladningsinstruksjoner. Ikke lad batteriet eller verktøyet når temperaturen er utenfor det området som er angitt i bruksanvisningen.** Mangelfull lading og lading ved temperaturer utenfor det angitte området kan ødelegge batteriet og øke risikoen for brann.

VEDLIKEHOLD

- **Reparasjoner må kun foretas av en kvalifisert tekniker og med originale reservedeler.** Da kan du bruke elektroverktøyet trygt.
- **Ikke foreta vedlikehold på et batteri som er skadd.** Vedlikehold på batterier skal bare utføres av produsenten eller en autorisert serviceleverandør.

SIKKERHETSADVARSLER FOR TRÅDLØS HEKKTRIMMER

- Ikke bruk hekktrimmeren under dårlige værforhold, spesielt når det er fare for lyn. Dette øker risikoen for å bli truffet av lynet.
- Hold alle strømledninger og kabler på avstand fra kutteområdet. Strømledninger eller kabler kan være skjult i hekker eller busker og kan kuttes av bladet ved uhell.
- Bruk hørselsvern. Tilstrekkelig verneutstyr vil redusere risikoen for hørselstap.
- Hold hekktrimmeren kun etter isolerte gripeoverflater, fordi bladet kan komme i kontakt med skjult kabling. Blader som kommer i kontakt med en strømførende ledning kan gjøre eksponerte metalldele på hekktrimmeren strømførende og gi operatøren et elektrisk støt.
- Hold alle kroppsdeler på avstand fra bladet. Ikke fjern avkappet materiale eller hold ting som skal klippes mens knivene beveger seg. Bladene fortsetter å rotere selv etter at motoren er slått av. Et øyeblikk med uoppmerksomhet under bruk av produktet kan føre til alvorlige personskader.
- Når du fjerner fastkilt materiale fra eller utfører vedlikehold på heksaksen, må du påse at alle strømknapper er slått av, og at batteripakken er tatt ut eller koblet fra. Uventet aktivering av hekktrimmeren under fjerning av fastkjørt materiale eller service kan føre til alvorlig personskade.
- Bær hekktrimmeren etter håndtaket med bladet stoppet, og se til at du ikke bruker noen strømbryter. Riktig håndtering av hekktrimmeren vil redusere risikoen for å utilsikket starte og medføre personlig skade fra bladene.
- Ved transport eller lagring av hekktrimmeren, monter alltid bladdekslet. Riktig håndtering av hekktrimmeren vil redusere risikoen for personskader fra bladene.

SPESIELLE SIKKERHETSADVARSLER

- Ikke gjør forsøk på å kutte stammer eller grener som er større enn kuttekapasiteten som er angitt i spesifikasjonstabellen eller som er tydelig for store for

å mate inn i kuttebladet. Bruk en manuell håndsag eller grensag for å kappe tykke stammer eller grener.

- Mens du bruker produktet, må du alltid ha et godt grep om begge håndtakene.
- Sjekk maskinen før hver bruk. Sjekk at alle styringene fungerer som de skal. Sjekk for løse fester, drivstofflekkasjer osv. Påse at alle deksler og håndtak er korrekt og trygt montert. Erstatt alle skadede deler før fortsatt bruk. Sjekk for lekkasjer fra batteripakken.
- Kontroller hekkene og buskene for fremmedlegemer, slik som vaiergjerdar og skjult kabling.
- Produktet må kun brukes ved bakkenivå og ikke på en stige eller noen annen, ustabil støtte.
- Ikke bruk produktet ved dårlige lysforhold. Bruk alltid produktet i dagslys eller med god kunstig belysning. Operatøren må ha klar sikt over arbeidsfeltet for å identifisere potensielle farer.
- Bruk av hørselsvern reduserer muligheten for å høre advarsler (rop eller alarmer). Vær spesielt oppmerksom på mulige farer rundt deg og innenfor arbeidsområdet. Unngå forstyrrelser og konsentrer deg om oppgaven.
- Slå alltid av produktet og ta ut batteriet for å redusere risikoen for personskade som skyldes kontakt med bevegelige deler. La begge kjøles ned. Påse at alle bevegelige deler har stoppet helt:
 - før justering av arbeidsposisjonen for kutteutstyr
 - før betjening
 - før rengjøring av en blokkering
 - før kontroll, rensing og arbeider på produktet
 - før endring av tilbehør
 - før produktet etterlates uten oppsyn
 - før kontroll om eventuell skade etter å ha truffet en gjenstand
 - før utføring av vedlikehold
 - hvis produktet starter å vibrere unormalt
- Produktet skal ikke tvinges gjennom store buskas og kratt. Dette kan føre til at bladet blokkeres og saktner hastigheten. Hvis hastigheten på bladet synker, reduser klippehastigheten.
- Dersom produktet faller i bakken, får et sterkt slag eller starter å vibrere unormalt, stans produktet omgående og sjekk for skader eller finn ut hva som er årsaken for vibrasjonene. Enhver del som er skadet må repareres eller skiftes ut på fagmessig måte ved et autorisert serviceverksted.
- Betjen produktet kun ved temperaturer mellom 0 °C og 40 °C.
- Oppbevar produktet på et sted der omgivelsestemperaturen er mellom 0 °C og 40 °C.
- Hvis man bruker verktøyet for lenge av gangen, kan det føre til eller forverre allerede eksisterende personskade. Sørg for å ta regelmessige pauser når du bruker et produkt over lengre tid.

EKSTRA SIKKERHETSINSTRUKSER FOR BATTERI

- For å redusere risikoen for brann, personskade og produktskade på grunn av en kortslutning skal produktet, batteripakken eller laderen aldri senkes ned i væske, og væske skal aldri flyte inn på innsiden av disse. Korroderende og ledende væsker som saltvann, visse kjemikalier og blekemidler eller produkt som inneholder blekemidler kan forårsake en kortslutning.
- Lad batteripakken på et sted der omgivelsestemperaturen er mellom 10 °C og 38 °C.
- Oppbevar batteripakken på et sted der omgivelsestemperaturen er mellom 0 °C og 20 °C.
- Bruk batteripakken på et sted der omgivelsestemperaturen er mellom 0 °C og 40 °C.

TRANSPORT OG LAGRING

- Slå av og ta ut batteripakken. Påse at alle bevegelige deler har stoppet helt. La produktet og batteripakken kjøle seg ned før lagring eller transport.
- Fjern alle fremmedelementer fra produktet. Ikke lagre eller transporter produktet med montert batteripakke. Fjern batteripakken og sikre den separat. Lagres på et kjølig, tørt og godt ventilert sted som er utilgjengelig for barn. Hold avstand til korroderende midler som havekjemikalier og avisings salt. Produktet skal ikke oppbevares utendørs.
- Monter bladdekslet før du lagrer produktet eller under transport.
- Ved transport må produktet sikres mot å komme i bevegelse eller falle for å unngå skade på personer, ting eller på produktet.

TRANSPORTERE LITIUM-BATTERIER

- Transporter batterier i henhold til lokale og nasjonale lover og forskrifter.
- Følg alle spesialkrav med hensyn til emballering og merking når batterier transporteres av en tredjepart. Påse at ingen batterier kan komme i kontakt med andre batterier eller ledende materialer under transporten ved å beskytte åpne kontakter med isolasjon, ikkeledende lokk eller tape. Ikke transporter batterier som er sprukne eller som lekker. Kontakt spedtøren for å få ytterligere råd.

VEDLIKEHOLD

- Bruk kun produsentens originale reservedeler, tilleggsutstyr og påsatser. Dersom dette ikke følges, kan det forårsake personskader, dårlig funksjon og kan annullere garantien din.
- Service krever meget stor forsiktighet og kunnskap og bør utføres kun av kvalifisert teknisk personale. Få utført service på produktet kun av et autorisert servicesenter.
- Kappknivene er ekstremt skarpe. For å forhindre personskader, være ekstremt forsiktig ved rengjøring, smøring, montering eller fjerning av bladdekslet.

- Slå av og ta ut batteripakken. La begge kjøles ned. Pass på at alle bevegelige deler har stoppet fullstendig før du rengjør eller vedlikeholder gressklipperen.
- Du kan foreta justeringer og reparasjoner som er beskrevet i denne brukermanualen. For andre reparasjoner må du henvende deg til et autorisert servicecenter.
- Etter hver bruk, rens produktets ytre med en myk tørr klut. Enhver del som er skadet må repareres eller skiftes ut på fagmessig måte ved et autorisert serviceverksted.
- Etter hvert bruk, fjern avfall fra bladene med en stiv børste og påfør forsiktig antirustsmøring før du setter på bladbeskyttelsen igjen. Bruk en rustforebyggende smørespray for å påføre et jevnt lag og redusere faren for personskader på grunn av kontakt med bladene. For mer informasjon om passende sprayprodukter, ta kontakt med ditt lokale autoriserte servicecenter.
- Kontroller alle løse muttere, bolter og skruer før du bruker enheten. Sjekk ofte at disse er tilstrekkelig tilstrammet, slik at du er sikret et trygt arbeidsmiljø. Enhver del som er skadet må repareres eller skiftes ut på fagmessig måte ved et autorisert serviceverksted.



Produktet skal alltid holdes med to hender når du bruker det.



Ikke utsette for regn eller fuktige forhold.



Pass opp for gjenstander som slynges ut eller flyr i luften. Hold alle tilskuere, spesielt barn og kjæledyr, på en avstand på minst 15 m fra driftsområdet.



Fjern batteripakken før du starter arbeid på produktet.



Garantert lydeffektnivå

KJENN PRODUKTET DITT

Se side 113.

1. Bladbeskyttelse
2. Fremre håndtak
3. Fremre avtrekker
4. Utløser
5. Bakre håndtak
6. Blad
7. HEDGESWEEP avfallsfjerner
8. Knivdeksel
9. Brukermanual
10. Batteri
11. Lader

SYMBOLER



Sikkerhetsalarm



Les og forstå alle instruksjoner før du betjener produktet. Følg alle advarsler og sikkerhetsanvisninger.



Bruk vernebriller, hørselvern og hodebeskyttelse.



Bruk sklislire og kraftige beskyttelseshansker.



Bruk glidesikre sikkerhetssko når du bruker produktet.



For å hindre alvorlige personskader, ikke ta på kuttebladene.



Ikke kast avfallsbatterier, elektrisk og elektronisk utstyrsavfall som usortert kommunalt avfall. Avfallsbatterier og elektrisk og elektronisk utstyrsavfall må samles inn separat. Avfallsbatterier, avfallsakkumulatører og lyskilder må fjernes fra utstyret. Undersøk med de lokale myndighetene for resirkuleringsråd og innsamlingspunkt. I henhold til lokale forskrifter kan forhandlere være forpliktet til å ta tilbake avfallsbatterier, elektrisk og elektronisk utstyrsavfall gratis. Ditt bidrag til gjenbruk av og gjenvinning av avfallsbatterier og elektrisk og elektronisk utstyrsavfall bidrar til å redusere etterspørselen etter råmaterialer. Avfallsbatterier, spesielt de som inneholder litium, og elektrisk og elektronisk utstyrsavfall inneholder verdifulle og resirkulerbare materialer som kan påvirke miljøet og menneskets helse negativt, hvis de ikke blir kastet på en miljøkompatibel måte. Slett personlig data fra utstyrsavfall, om noen.

В основе конструкции вашего беспроводного беспроводного кустореза лежат принципы безопасности, продуктивности и надежности.

НАЗНАЧЕНИЕ

Этот беспроводный кусторез предназначен для обрезки и стрижки живой изгороди, кустов и другой аналогичной растительности.

Изделие предназначено для домашнего использования. Это изделие предназначено для использования только вне помещений, в сухих условиях и при достаточном освещении. Изделие не предназначено для обрезки изгородей, кустарника и аналогичной растительности, превышающим его режущую способность.

Не используйте устройство для каких-либо иных целей.

ОБЩИЕ ПРЕДУПРЕЖДЕНИЯ ПО ТЕХНИКЕ БЕЗОПАСНОСТИ ПРИ РАБОТЕ С ИЗДЕЛИЕМ

⚠ ОСТОРОЖНО! Прочтите все указания, инструкции, иллюстрации и спецификации, поставляемый с этим электроинструментом. Несоблюдение нижеуказанных инструкций может стать причиной поражения электрическим током, пожара и/или серьезной травмы.

Сохраните все предупреждения и инструкции для дальнейшего использования.

Термин “электроинструмент” в предупреждениях означает изделие, работающее от электрической сети (проводное) или аккумулятора (беспроводное).

БЕЗОПАСНОСТЬ НА РАБОЧЕМ МЕСТЕ

- Рабочий участок должен быть свободным и хорошо освещенным. Загромождение или плохое освещение рабочей зоны может привести к несчастным случаям.
- Не используйте электроинструменты во взрывоопасной среде, например, при наличии легковоспламеняющихся жидкостей, газов или пыли. В электрических устройствах могут образовываться искры, что может привести к воспламенению пыли или газа.
- Не допускайте присутствия детей и посторонних лиц при работе с электроинструментом. Отвлечение на посторонних лиц может привести к потере контроля во время эксплуатации агрегата.

ЭЛЕКТРОБЕЗОПАСНОСТЬ

- Вилки кабеля питания инструмента должны соответствовать используемой розетке. Не подвергайте вилку кабеля каким-либо изменениям. Не используйте какие-либо переходники с электроинструментами с заземляющим проводом. Использование оригинальных штепсельных вилок и соответствующих розеток предотвращает опасность поражения электрическим током.
- Не допускайте контакта частей тела с поверхностями заземленных предметов,

например труб, радиаторов отопления, кухонных плит, холодильников. При соприкосновении частей тела человека с заземленными участками возрастает опасность поражения электрическим током.

- Не оставляйте электроинструменты под дождем или в условиях повышенной влажности. Попавшая внутрь электроинструмента вода увеличивает опасность поражения электрическим током.
- Не допускайте неправильного обращения с кабелем. Не используйте кабель для переноски, перемещения или отключения инструмента от сети питания. Не раскладываете кабель вблизи источников тепла, масла, острых предметов или подвижных элементов. Поврежденные или запутанные провода повышают опасность поражения электрическим током.
- При работе с электроинструментом вне помещений пользуйтесь удлинительным кабелем, предназначенным для наружного применения. Использование кабеля, предназначенного для наружного применения, снижает опасность поражения электрическим током.
- Если нет возможности избежать работы в условиях повышенной влажности, подключайте электроинструмент через устройство защитного отключения. При использовании устройства защитного отключения снижается опасность поражения электрическим током.

ЛИЧНАЯ БЕЗОПАСНОСТЬ

- Будьте внимательны при работе с устройством и руководствуйтесь здравым смыслом. Не используйте агрегат в случае усталости или после принятия наркотиков, алкоголя или медицинских препаратов. Малейшая невнимательность при работе с электроинструментом может привести к серьезной травме.
- Использовать средства индивидуальной защиты. Всегда надевайте защитные очки. Такие средства защиты, как противопылевая маска, нескользящая обувь, жесткий головной убор и средства защиты органов слуха, при использовании в соответствующих условиях позволят снизить риск получения травмы.
- Не допускайте непреднамеренного запуска. Перед подключением инструмента к источнику питания, заменой аккумуляторного блока, поднятием и переноской инструмента проверьте, чтобы переключатель находился в положении "выключено". При переноске электроинструментов с пальцем на переключателе или подаче питания к инструментам при переключателе в положении "вкл." возможны несчастные случаи.
- Перед включением электроинструмента уберите все регулировочные и гаечные ключи. Гаечные или регулировочные ключи, оставленные на вращающихся частях электроинструмента, могут привести к телесному повреждению.

- Не прикладывайте чрезмерных усилий. Старайтесь сохранять устойчивость и подыскивайте твердую опору. Это обеспечивает лучшую управляемость электроинструментом в непредвиденных ситуациях.
- Одевайтесь соответствующим образом. Не надевайте одежду свободного покроя и украшения. Не допускайте попадания волос и одежды в подвижные детали. Свободная одежда, украшения и длинные волосы могут попасть в движущиеся части.
- При наличии оборудования для соединения пылеуловителей и пылеотделителей обеспечьте его надлежащее подключение и эксплуатацию. Пылеулавливание может снизить угрозы, связанные с образованием пыли.
- Не нарушайте правила техники безопасности, даже несмотря на длительный опыт работы с инструментами. Небрежные действия могут за долю секунды привести к серьезной травме.

ЭКСПЛУАТАЦИЯ ЭЛЕКТРОИНСТРУМЕНТА И УХОД ЗА НИМ

- Не увеличивайте скорость работы инструмента. Правильно подбирайте инструмент для выполнения необходимой работы. Правильно подобранный инструмент лучше и безопаснее выполняет свою работу.
- Не пользуйтесь электроинструментом, если выключатель не включается или не выключается. Любой электроинструмент, не управляемый выключателем, представляет опасность и должен быть отремонтирован.
- Перед регулировкой, заменой принадлежностей и помещением электроинструмента на хранение отсоедините вилку от источника питания и/или извлеките аккумуляторный блок (если это возможно). Такие меры предосторожности снижают риск случайного пуска инструмента.
- Храните неиспользуемые электроинструменты в месте, недоступном для детей, а также не допускайте к использованию данного инструмента лиц, не знакомых с его работой или не ознакомленных с данными инструкциями. Использование электроинструментов лицами, не подготовленных к работе с подобными электроинструментами, может стать причиной создания опасных ситуаций.
- Электроинструменты и принадлежности необходимо обслуживать. Проверьте инструмент на предмет наличия перекоса или заклинивания движущихся частей, дефектов компонентов или наличия иных условий, которые могут отразиться на его работе. При повреждении изделия перед его дальнейшим использованием следует выполнить техническое обслуживание. Большое количество несчастных случаев происходит из-за ненадлежащего технического обслуживания изделий.

- Поддерживайте режущие инструменты в заточенном и чистом виде. Режущие инструменты в надлежащем состоянии, с острыми кромками менее подвержены застреванию и более управляемы.
- Используйте инструмент, принадлежности, наконечники и др. в соответствии с данными инструкциями, учитывая условия и характер работы. Использование данного электроинструмента не по назначению может создать опасную ситуацию.
- Поддерживайте захватные поверхности в сухом, чистом виде, без масла и смазки. Скользящие рукоятки и захватные поверхности не дают возможности контролировать инструмент в нестандартных ситуациях.

ЭКСПЛУАТАЦИЯ И ОБСЛУЖИВАНИЕ АККУМУЛЯТОРНОГО ИНСТРУМЕНТА

- Заряжать аккумулятор можно только зарядным устройством, разрешенным производителем инструмента. Зарядное устройство, подходящее только для одного типа батарей, может создать опасность пожара при использовании для зарядки батарей иного типа.
- В электроинструменты следует устанавливать аккумуляторные блоки, имеющие подходящую маркировку. При использовании других аккумуляторных блоков возрастает риск пожара и получения травмы.
- Когда батареи не используются, держите их вдали от металлических предметов, таких как зажимы, монеты, ключи, гвозди, винты или иные небольшие металлические предметы, которые могут создать контакт между полюсами. Короткое замыкание на контактах аккумулятора может стать причиной пожара.
- При неблагоприятных условиях из аккумулятора может вытечь жидкость; избегайте контакта с такой жидкостью. При случайном контакте промойте место воздействия водой. При попадании жидкости в глаза промойте их водой и обратитесь к врачу. Аккумуляторная жидкость может вызвать раздражение кожи и слизистых оболочек или ожоги.
- Использование поврежденного или модифицированного аккумуляторного блока и инструмента не допускается. Поврежденные или модифицированные аккумуляторы могут работать непредсказуемо и стать причиной пожара, взрыва или травмы.
- Запрещается подвергать аккумуляторный блок и инструмент воздействию огня и высокой температуры. Воздействие огня или температуры выше 130 °C может привести к взрыву.
- Заряжайте аккумуляторные блоки и инструмент в соответствии с инструкцией, не подвергая их при этом воздействию температур вне диапазона, указанного в инструкции. Зарядка без соблюдения инструкции или при воздействии температур вне предусмотренного диапазона может привести к повреждению аккумулятора и повысить риск возгорания.

ОБСЛУЖИВАНИЕ

- **Техническое обслуживание и ремонт электроинструмента должен выполнять только квалифицированный специалист с использованием взаимозаменяемы запасных частей.** Это обеспечит нормальное техническое состояние устройства.
- **Обслуживание аккумуляторных блоков с признаками повреждения не допускается.** Обслуживание аккумуляторных блоков должно выполняться производителем или авторизованным сервисным центром.

ТРЕБОВАНИЯ БЕЗОПАСНОСТИ ПРИ ИСПОЛЬЗОВАНИИ БЕСПРОВОДНОГО КУСТОРЕЗА

- Запрещается использовать кусторез в непогоду, особенно во время молнии. Это снижает риск удара молнии.
- Не допускайте попадания шнуров и кабелей питания в рабочую зону. Шнуры или кабели питания могут быть спрятаны в живой изгороди или кустах и существует риск их непреднамеренного повреждения лезвием.
- Следует надевать средства защиты органов слуха. Использование надлежащих средств защиты существенно снизит риск нарушения слуха.
- Удерживайте кусторез только за изолированные захватные поверхности, поскольку лезвие может задеть скрытые провода. Лезвия при соприкосновении с проводкой под напряжением могут получить электрический заряд и причинить оператору электротравму.
- Не прикасайтесь к лезвию. Не пытайтесь удалить материал резания или удерживать разрезаемый материал при работающих режущих полотнах. Ножи продолжают вращаться после выключения двигателя. Малейшая невнимательность при работе с устройством может привести к серьезным травмам.
- Перед удалением застрявшего материала или обслуживанием ножниц для живой изгороди проверьте, что все выключатели питания выключены, а аккумуляторный блок извлечен или отсоединен. Непреднамеренное срабатывание триммера в процессе извлечения застрявшего материала или при проведении технического обслуживания может привести к серьезной травме.
- Переноска кустореза должна осуществляться за рукоять, с выключенным лезвием; при этом необходимо соблюдать осторожность, чтобы не активировать ни один из выключателей питания. Правильная переноска кустореза снижает риск произвольного запуска и получения травмы от соприкосновения с лезвиями.
- При транспортировке или размещении кустореза на хранение всегда устанавливайте на лезвие защитный чехол. Надлежащая эксплуатация кустореза снижает риск получения травмы от соприкосновения с лезвиями.

ДОПОЛНИТЕЛЬНЫЕ УКАЗАНИЯ ПО БЕЗОПАСНОСТИ

- Не пытайтесь срезать стебли или ветви с толщиной больше значения, указанного в описании технических характеристик, либо явно превышающего прочность ножа. Для обрезания больших стеблей используйте ручную пилу или ножовку.
- Во время эксплуатации изделия всегда крепко держите его обеими руками за две ручки.
- Проверяйте устройство перед каждым использованием. Проверьте правильную работу всех элементов управления. Проверьте надежность креплений, наличие утечки топлива и т. д. Проверьте правильность установки и надежность крепления всех защитных устройств, и ручек. Перед использованием замените поврежденные детали. Проверьте аккумуляторную батарею на отсутствие протечки.
- Осматривайте ограды и кусты на предмет посторонних объектов, таких как проволочная решетка и скрытая проводка.
- Изделие необходимо использовать только на уровне земли; установка на лестницу и другие неустойчивые поверхности не допускается.
- Использование изделия в условиях слабого освещения не допускается. Эксплуатируйте изделие только при дневном свете или хорошем искусственном освещении. Оператор должен четко видеть рабочую зону в целях выявления потенциальных опасностей.
- Использование средств защиты органов слуха снижает способность услышать предупреждения (крики или сигналы). Обращайте особое внимание на потенциальные опасности вокруг и внутри рабочей зоны. Не отвлекайтесь, сосредоточьтесь на выполнении работы.
- Чтобы снизить риск получения травмы при контакте с подвижными деталями, всегда выключайте изделие и извлекайте аккумуляторный блок. Дайте изделию и аккумуляторной блоку остыть. Убедитесь в полной остановке всех движущихся деталей:
 - перед сменой рабочего положения режущих инструментов
 - перед техническим обслуживанием
 - перед устранением засора
 - перед проверкой, чисткой и техобслуживанием продукта
 - перед заменой принадлежностей
 - перед тем, как оставить инструмент без присмотра
 - перед проверкой наличия повреждений в случае удара о какой-либо предмет
 - перед выполнением технического обслуживания
 - если продукт начинает вибрировать
- Использование изделия для резки густого кустарника не допускается. Это может привести к зажиму и замедлению работы режущих полотен.

Если движение режущих полотен замедляется, уменьшите ход работы.

- Если устройство уронили, оно издает громкий стук или начинает чрезмерно вибрировать, немедленно остановите его и проверьте на наличие повреждений или выясните причину вибрации. В случае повреждения какой-либо детали необходимо обратиться в авторизованный сервисный центр для выполнения надлежащего ремонта или замены.
- Рабочий диапазон изделия: от 0 °C до 40 °C.
- Храните изделие при температуре воздуха от 0 °C и 40 °C.
- Слишком продолжительное использование инструмента может привести к травме. При длительном использовании изделия периодически делайте перерыв.

ТРЕБОВАНИЯ БЕЗОПАСНОСТИ ПРИ ИСПОЛЬЗОВАНИИ ДОПОЛНИТЕЛЬНОЙ АККУМУЛЯТОРНОЙ БАТАРЕИ

- Чтобы уменьшить риск пожара, травмы и повреждения изделия вследствие короткого замыкания не погружайте изделие, аккумуляторный блок или зарядное устройство в жидкость и не допускайте попадания жидкости внутрь. Коррозионные и проводящие жидкости, такие как соленый раствор, определенные химикаты, отбеливающие средства или содержащие их продукты, могут привести к короткому замыканию.
- Заряжайте аккумуляторный блок при температуре воздуха от 10 °C до 38 °C.
- Храните аккумуляторный блок при температуре воздуха от 0 °C и 20 °C.
- Эксплуатация аккумуляторного блока допускается при температуре воздуха от 0 °C и 40 °C.

ТРАНСПОРТИРОВКА И ХРАНЕНИЕ

- Отключите устройство и извлеките аккумуляторный блок. Убедитесь в полной остановке всех движущихся деталей. Перед помещением на хранение или транспортировкой дождитесь остывания изделия и аккумуляторного блока.
- Очистите устройство от всех посторонних материалов. Хранение и транспортировка изделия с установленными элементами питания не допускается. Извлеките аккумуляторный блок и надежно закрепите его. Храните его в прохладном, сухом, хорошо проветриваемом и недоступном для детей месте. Оберегайте от веществ, вызывающих коррозию, например, садовых удобрений или соли для удаления льда. Запрещается хранить изделие на улице.
- Перед размещением на хранение и транспортировкой изделия установите предохранитель лезвия.
- Для транспортировки закрепите устройство так, чтобы оно не могло перемещаться или упасть во избежание травмирования персонала или повреждения устройства.

ПЕРЕВОЗКА ЛИТИЕВЫХ БАТАРЕЙ

- Транспортировку батареи осуществляйте в соответствии местными и национальными нормами и положениями.
- Следуйте всем особым требованиям к упаковке и маркировке при транспортировке батареи в сторонние организации. Проверьте, чтобы батарея не соприкасалась с другими батареями или токопроводящими материалами во время транспортировки, защитив открытые контакты с помощью изоляции, непроводящих колпачков или пленки. Не транспортируйте поврежденные или протекающие батареи. За консультацией обращайтесь в транспортно-экспедиционную компанию.

ОБСЛУЖИВАНИЕ

- Используйте только оригинальные запчасти, аксессуары и насадки от производителя. Невыполнение этого требования может привести к травме, к снижению производительности и к аннулированию гарантии.
- Обслуживание требует чрезвычайной заботы и знания и должно быть выполнено только квалифицированным техником обслуживания. Обратитесь в авторизованный сервисный центр.
- Режущие лезвия чрезвычайно острые. Во избежание травмы соблюдайте максимальную осторожность при очистке, смазывании, установке и снятии защитного кожуха для лезвий.
- Отключите устройство и извлеките аккумуляторный блок. Дайте изделию и аккумуляторному блоку остыть. Перед очисткой или проведением технического обслуживания инструмента проверьте, чтобы все движущиеся детали полностью остановились.
- Вы можете также выполнить другие виды регулировки и ремонтные работы, описанные в данном руководстве. Ремонтные работы должны осуществляться только в авторизованном сервисном центре.
- После каждого использования протирайте корпус и ручки изделия мягкой сухой тканью. В случае повреждения какой-либо детали необходимо обратиться в авторизованный сервисный центр для выполнения надлежащего ремонта или замены.
- После каждого использования, очистите лезвия от мусора жесткой щеткой, а затем аккуратно нанесите на него антикоррозионную смазку перед установкой защитного приспособления для лезвия. Нанесите рекомендованную антикоррозийную смазку с помощью распылителя равномерным слоем, это позволит снизить риск получения травм при контакте с ножами. Для получения информации о подходящих распыляемых смазках свяжитесь с местным авторизованным сервисным центром.
- Перед каждым использованием и через определенные промежутки времени проверяйте затяжку всех гаек, болтов и винтов, чтобы убедиться, что инструмент находится в безопасном для

эксплуатации состоянии. В случае повреждения какой-либо детали необходимо обратиться в авторизованный сервисный центр для выполнения надлежащего ремонта или замены.

ИЗУЧИТЕ УСТРОЙСТВО

См. стр. 113.

1. Предохранительный колпак для режущего устройства
2. Передняя ручка
3. Фронтальный курковый переключатель
4. Курковый переключатель
5. Задняя ручка
6. Пильное полотно
7. Подметальная для мусора HEDGESWEEP
8. Крышка режущего полотна
9. Руководство оператора
10. Аккумулятор
11. Зарядное устройство

УСЛОВНЫЕ ОБОЗНАЧЕНИЯ



Внимание



Перед началом работы с изделием внимательно ознакомьтесь со всеми инструкциями. Соблюдайте технику безопасности.



Используйте защитные очки, средства защиты органов слуха и защитный головной убор.



Надевайте нескользящие защитные перчатки для тяжелых условий работы.



При эксплуатации изделия используйте нескользящую обувь.



Во избежание серьезных травм не касайтесь режущих лезвий.



В процессе работы удерживайте изделие обеими руками.



Не подвергайте инструмент воздействию дождя и не используйте в условиях повышенной влажности.



Помните об опасности, которую представляют собой отбрасываемые устройством или вылетающие из-под него предметы. Не допускайте приближения посторонних лиц, особенно детей и домашних животных к рабочей зоне ближе чем на 15 м.



Перед запуском и использованием изделия извлеките аккумуляторный блок.



Гарантируемый уровень звуковой мощности

Утилизация аккумуляторов, электрического и электронного оборудования в месте с несоортированными бытовыми отходами не допускается. Сбор аккумуляторов, электрического и электронного оборудования в целях утилизации должен осуществляться отдельно. Перед утилизацией необходимо извлечь из оборудования элементы питания, аккумуляторы и источники света. Уточните порядок утилизации и местонахождения пункта приема у местных властей или поставщика. Ритейлеры могут быть обязаны бесплатно принимать аккумуляторы, электрическое и электронное оборудование на утилизацию в соответствии с местными регламентами. Ваш вклад в повторную переработку аккумуляторов, а также электрического и электронного оборудования позволит сократить потребность в сырье. Аккумуляторы, в частности, содержащие литий, а также электрическое и электронное оборудование содержит ценные и подлежащие повторной переработке материалы, которые в случае ненадлежащей утилизации способны вредить экологии и здоровью людей. Перед утилизацией удалите с оборудования все персональные данные.



EN
FR
DE
ES
IT
NL
PT
DA
SV
FI
NO
RU
PL
CS
HU
RO
LV
LT
ET
HR
SL
SK
BG
UK
TR
EL

Транспортировка:

Категорически не допускается падение и любые механические воздействия на упаковку при транспортировке.

При разгрузке/погрузке не допускается использование любого вида техники, работающей по принципу зажима упаковки.

Хранение:

Необходимо хранить в сухом месте.

Необходимо хранить вдали от источников повышенных температур и воздействия солнечных лучей.

При хранении необходимо избегать резкого перепада температур.

Хранение без упаковки не допускается.

Срок службы изделия:

Срок службы изделия составляет 5 лет.

Не рекомендуется к эксплуатации по истечении 5 лет хранения с даты изготовления без предварительной проверки.

Дата изготовления (код даты) отштампован на поверхности корпуса изделия.

Пример:

W17 Y2015, где Y2015 - год изготовления

W17 – неделя изготовления

Определить месяц изготовления можно согласно приведенной ниже таблице, на примере 2015 года.

Обратите внимание! Количество недель в месяце различается от года в год.

Месяц	Январь	Февраль	Март	Апрель	Май	Июнь	Июль	Август	Сентябрь	Октябрь	Ноябрь	Декабрь	Год
Неделя	01	05	09	14	18	22	27	31	36	40	44	49	2015
	02	06	10	15	19	23	28	32	37	41	45	50	
	03	07	11	16	20	24	29	33	38	42	46	51	
	04	08	12	17	21	25	30	34	39	43	47	52	
	05	09	13	18	22	26	31	35	40	44	48	53	
		14			27								

Najwyższymi priorytetami w trakcie projektowania zakupionej przez Państwa bezprzewodowych nożyc do żywoplotów były bezpieczeństwo, wydajność i niezawodność.

PRZEZNACZENIE URZĄDZENIA

Bezprzewodowe nożyce do żywoplotu przeznaczone są do cięcia i przycinania żywoplotów, krzewów i podobnej roślinności.

Produkt jest przeznaczony do domowego użytkowania. Produkt przeznaczony jest wyłącznie do używania na zewnątrz, w miejscach suchych i dobrze oświetlonych. Produkt nie jest przeznaczony do cięcia gałęzi, krzewów ani podobnych roślin, których średnica przekracza jego zdolność do cięcia.

Nie używać do żadnych innych celów.

OGÓLNE OSTRZEŻENIA DOTYCZĄCE BEZPIECZEŃSTWA PRODUKTU

⚠ OSTRZEŻENIE! Prosimy o uważne zapoznanie się z ostrzeżeniami, instrukcjami i specyfikacjami dostarczonymi z tym narzędziem oraz z zawartymi w nich ilustracjami. Nieprzestrzeganie wszystkich podanych poniżej instrukcji może skutkować porażeniem elektrycznym, pożarem lub.

Zachowajcie te ostrzeżenia i zalecenia, aby móc się do nich odnieść w późniejszym czasie.

Określenie „elektronarzędzie” w ostrzeżeniach oznacza produkt zasilany z sieci (przewodowy) lub zasilany akumulatorem (bezprzewodowy).

BEZPIECZEŃSTWO W STREFIE ROBOCZEJ

- **Dopilnujcie, aby wasza przestrzeń robocza była czysta i dobrze oświetlona.** „Zagracone” i słabo oświetlone miejsca pracy to częsta przyczyna wypadków.
- **Nie używajcie elektronarzędzi w otoczeniu wybuchowym, na przykład w pobliżu płynów, gazu czy też pyłów łatwopalnych.** Iskry wytworzone przez elektronarzędzia mogłyby doprowadzić do ich zapalenia czy wybuchu.
- **Kiedy używacie elektronarzędzi, trzymajcie z dala dzieci i osoby postronne dotyczy to również zwierząt.** Mogłyby one odwrócić waszą uwagę i spowodować utratę kontroli nad narzędziem.

BEZPIECZEŃSTWO ELEKTRYCZNE

- **Wtyczka elektronarzędzia musi być dostosowana do gniazda. Nigdy nie dokonujcie interwencji (napraw) na wtyczce. Nigdy nie używajcie adaptatora z elektronarzędziami uziemionymi lub połączonymi z korpusem.** W ten sposób unikniecie ryzyka porażenia prądem.
- **Unikajcie wszelkiego kontaktu z powierzchniami uziemionymi lub połączonymi z korpusem (takimi**

jak: przewody, grzejniki, Kuchenki, lodówki, itd.) Ryzyko porażenia prądem elektrycznym wzrasta, kiedy jakaś część waszego ciała styka się z powierzchniami uziemionymi lub połączonymi z korpusem.

- **Nie wystawiajcie waszego elektronarzędzia na deszcz czy wilgoć.** Ryzyko porażenia prądem elektrycznym wzrasta, kiedy woda wnika do elektronarzędzia.
- **Przewód zasilający należy utrzymywać w dobrym stanie. Nie trzymajcie nigdy narzędzia za przewód zasilający i nigdy nie ciągnijcie za przewód zasilający w celu wyłączenia narzędzia. Trzymajcie przewód zasilający z dala od wszelkiego źródła ciepła, oleju czy wszelkich ostrych przedmiotów i poruszających się części.** Ryzyko porażenia prądem elektrycznym wzrasta, jeżeli przewód jest uszkodzony lub zaplątany.
- **Kiedy pracujecie na zewnątrz (w plenerze), używajcie wyłącznie przedłużaczy przewidzianych do użytku na zewnątrz.** W ten sposób unikniecie ryzyka porażenia prądem.
- **Jeżeli już musicie używać waszego narzędzia w wilgotnym otoczeniu, podłączcie się do zasilania elektrycznego zabezpieczonego urządzeniem ochronnym różnicowoprądowym (RCD).** Użycie urządzenia RCD zmniejsza ryzyko porażenia prądem elektrycznym.

BEZPIECZEŃSTWO OSOBISTE

- **Podczas użytkowania elektronarzędzia, zachowajcie czujność, patrzcie uważnie na to co robicie i odwołujcie się do zdrowego rozsądku. Nie używajcie waszego narzędzia, kiedy jesteście zmęczeni, pod wpływem alkoholu, narkotyków czy leków.** Nigdy nie zapomnijcie, że wystarczy ułamek sekundy nieuwagi, aby doszło do poważnego zranienia.
- **Używajcie środków ochronnych. Należy zawsze chronić oczy.** Aby uniknąć ryzyka poważnych obrażeń ciała, w zależności od warunków pracy zakładajcie maskę przeciwpyłową, obuwie przeciwpoślizgowe, kask lub ochrony słuchowe.
- **Unikajcie wszelkiego przypadkowego włączenia. Przed podłączeniem waszego narzędzia do gniazda lub włożeniem akumulatora upewnijcie się czy wyłącznik jest na ”wylęczone”, to samo kiedy bierzecie do ręki czy przenosicie narzędzie.** Aby uniknąć ryzyka wypadków, nie przenoście waszego narzędzia trzymając palec na włączniku i nie podłączajcie go do gniazda /nie wkładajcie akumulatora, kiedy włącznik jest w pozycji „włączone”.
- **Wymijcie klucze zaciskowe przed uruchomieniem waszego narzędzia.** Klucz zaciskowy, który pozostaje przyklejony do ruchomej części narzędzia może spowodować poważne obrażenia ciała.
- **Zawsze zachowujcie pozycję równowagi. Opierajcie się dobrze na waszych nogach i nie wyciągajcie ramion zbyt daleko.** W razie nieprzewidzianego

wydarzenia, stabilna pozycja przy pracy umożliwiają lepsze panowanie nad narzędziem.

- **Noście odpowiednie ubrania. Nie noście luźnych ubrań, czy też biżuterii. Włosy i odzież należy utrzymywać z dala od ruchomych części.** Luźne ubrania, biżuteria i długie włosy, mogą zostać pochwycone przez poruszające się części.
- **Jeżeli wasze narzędzie zostało dostarczone z systemem zasysania pyłu, dopilnujcie by był on poprawnie zainstalowany i używany.** W ten sposób unikniecie ryzyka wypadku.
- **Należy pamiętać, że dotychczasowe przyzwyczajenia związane z częstym korzystaniem z narzędzi nie powinny stać się przyczyną ignorowania zasad bezpiecznego posługiwania się nimi.** Wystarczy ułamek sekundy, aby brak uwagi spowodował poważne obrażenia.

SPOSÓB UŻYCIA I KONSERWACJA ELEKTRONARZĘDZI

- **Nie przeciążajcie waszego narzędzia. Należy używać narzędzia dostosowanego do prac, które chcecie wykonać.** Wasze narzędzie będzie bardziej wydajne i pewne, jeżeli będziecie je używali w zakresie przewidzianych obciążeń.
- **Nie używajcie waszego elektronarzędzia jeżeli wyłącznik nie pozwala na jego zatrzymanie i uruchomienie.** Narzędzie, które nie może być poprawnie włączone i wyłączone jest niebezpieczne i musi być obowiązkowo naprawione.
- **Przed regulacją, wymianą akcesoriów lub składowaniem narzędzi zasilanych należy wyciągnąć wtyczkę z gniazda i/lub wymontować z narzędzia akumulator, o ile można go odłączyć.** W ten sposób ograniczycie ryzyko przypadkowego uruchomienia narzędzia.
- **Przechowujcie wasze elektronarzędzia poza zasięgiem dzieci. Nie pozwalajcie używać narzędzia osobom, go nie znają bądź nie zapoznały się z niniejszymi przepisami bezpieczeństwa.** Elektronarzędzia są niebezpieczne w rękach niedoświadczonych osób.
- **Konserwacja narzędzi zasilanych i akcesoriów. Sprawdźcie ustawienie ruchomych części. Sprawdźcie czy jakaś część nie jest zepsuta. Skontrolujcie montaż i wszelkie elementy, które mogłyby ujemnie wpłynąć na działanie narzędzia. Jeżeli jakieś części są uszkodzone, dajcie wasze narzędzie do naprawy zanim zaczniecie go używać.** Przyczyną wielu wypadków była zła konserwacja narzędzi.
- **Zachowujcie wasze narzędzia zawsze naostrzone i czyste.** Narzędzie tnące dobrze naostrzone i czyste przedstawia mniejsze ryzyko zablokowania i łatwiej zachować nad nim kontrolę.

- **Używajcie narzędzie elektryczne, jego akcesoria, nasadki, etc. zgodnie z niniejszą instrukcją obsługi biorąc pod uwagę warunki użytkowania i pożądane zastosowania.** Aby uniknąć niebezpiecznych sytuacji, nie używajcie waszego narzędzia do prac, do których nie było ono zaprojektowane.
- **Uchwyty i inne powierzchnie chwytne należy utrzymywać w stanie suchym, czystym i wolnym od olejów oraz smaru.** Śliskie uchwyty i inne powierzchnie chwytne nie pozwalają na bezpieczne manipulowanie narzędziem oraz zachowanie kontroli nad nim w niebezpiecznych sytuacjach.

WYMOGI BEZPIECZEŃSTWA SPECYFICZNE DLA ELEKTRONARZĘDZI BEZPRZEWODOWYCH

- **Ładujcie akumulator waszego narzędzia jedynie ładowarką zalecaną przez producenta.** Ładowarka odpowiednia dla pewnego typu akumulatorów może wywołać pożar, jeżeli jest używana z innym typem akumulatora.
- **Do narzędzia bezprzewodowego należy stosować tylko specyficzny dla niego akumulator.** Użycie jakiegokolwiek innego akumulatora może spowodować pożar.
- **Kiedy akumulator nie jest używany, trzymajcie go z daleka od przedmiotów metalowych, jak: spinacze, monety, klucze, śrubki, gwoździe czy wszelkie przedmioty mogące doprowadzić do połączenia płytek stykowych.** Zwarcie płytek stykowych baterii akumulatorowych może spowodować poparzenia lub pożary.
- **Unikajcie wszelkiego kontaktu z płynem akumulatorowym, w przypadku wycieku wynikłego z niewłaściwego użycia. Gdyby do tego doszło, przepłukajcie obficie dotkniętą strefę czystą wodą. Jeżeli wasze oczy zostały dotknięte, zasięgnijcie również porady lekarza.** Płyn, który wypłynął z akumulatora może spowodować podrażnienia skóry lub poparzenie.
- **Nie należy stosować akumulatorów i narzędzi, które uległy uszkodzeniu lub były modyfikowane.** Uszkodzone lub zmodyfikowane akumulatory mogą zachowywać się w sposób nieprzewidywalny, co może prowadzić do pożaru, wybuchu lub ryzyka uszczerbku na zdrowiu.
- **Nie narażaj akumulatora ani narzędzia na działanie ognia lub zbyt wysokiej temperatury.** Narażenie na ogień lub temperaturę powyżej 130 °C może spowodować wybuch.
- **Należy przestrzegać wszystkich instrukcji dotyczących ładowania i nie ładować akumulatora lub narzędzia w temperaturach innych niż podane w instrukcji.** Ładowanie w niewłaściwy sposób lub w temperaturach spoza podanego zakresu może spowodować uszkodzenie akumulatora i zwiększyć ryzyko pożaru.

KONSERWACJA

- **Naprawy powinny być wykonywane przez wyspecjalizowanego technika i jedynie przy użyciu oryginalnych części zamiennych.** W ten sposób możecie bezpiecznie używać waszego elektronarzędzia.
- **Nigdy nie należy samodzielnie serwisować uszkodzonych akumulatorów.** Serwisowaniem akumulatorów powinni zajmować się wyłącznie producenci lub autoryzowani serwisanci.

BEZPRZEWODOWE NOŻYCE DO ŻYWOPŁOTÓW — OSTRZEŻENIA DOTYCZĄCE BEZPIECZEŃSTWA

- Nie należy używać przycinarki do żywopłotów w złych warunkach atmosferycznych, zwłaszcza gdy istnieje ryzyko uderzenia pioruna. Zmniejsza to ryzyko porażenia piorunem.
- Wszystkie przewody zasilające i kable należy trzymać z dala od obszaru cięcia. Przewody zasilające lub kable mogą być ukryte w żywopłotach lub krzakach i mogą zostać przypadkowo przecięte przez ostrze.
- Nosić środki ochrony słuchu. Odpowiednie wyposażenie ochronne zmniejszy ryzyko utraty słuchu.
- Bezprzewodową przycinarkę do żywopłotów należy trzymać wyłącznie za izolowaną powierzchnię chwytą, ponieważ w przeciwnym przypadku ostrze może zetknąć się z ukrytymi przewodami. Zetknięcie się ostrzy z przewodem pod napięciem może spowodować, że odsłonięte metalowe części przycinarki do żywopłotów również znajdą się pod napięciem, co może skutkować porażeniem prądem elektrycznym.
- Trzymać wszystkie części ciała z dala od ostrza. Nie usuwać nagromadzonej ściłki ani nie trzymać gałęzi do przecięcia w rękach gdy ostrza pracują. Po wyłączeniu silnika noże nadal się obracają. Moment nieuwagi podczas obsługi nożyc do żywopłotów może być przyczyną poważnego zranienia.
- W przypadku usuwania zakleszczonych fragmentów roślin lub prac serwisowych przy przycinarkie do żywopłotu należy upewnić się, że wszystkie przełączniki zasilania są wyłączone, a akumulator jest wyjęty lub odłączony. Nieoczekiwane uruchomienie nożyc do żywopłotów podczas usuwania zaciętego materiału lub serwisowania może spowodować poważne obrażenia ciała.
- Przycinarkę do żywopłotów należy przynosić za rękojeść z zatrzymanym ostrzem, uważając, aby nie uruchomić żadnego przełącznika zasilania. Prawidłowe przenoszenie przycinarki do żywopłotów zmniejsza ryzyko niezamierzonego uruchomienia, a tym samym obrażeń ciała spowodowanych przez ostrza.
- Podczas transportu lub przechowywania przycinarki do żywopłotów należy zawsze montować osłone ostrzy. Prawidłowe obchodzenie się z przycinarką do żywopłotów zmniejsza ryzyko obrażeń ciała spowodowanych przez ostrza.

DODATKOWE OSTRZEŻENIA DOTYCZĄCE BEZPIECZEŃSTWA

- Nie podejmować prób cięcia pni lub gałęzi o grubości przekraczającej głębokość cięcia podaną w tabeli z danymi technicznymi, a także pni lub gałęzi o rozmiarach wyraźnie zbyt dużych, by można je było wprowadzić do ostrza. Do docinania większych konarów należy używać piły ręcznej lub piły ogrodniczej.
- Produkt zawsze należy obsługiwać, trzymając pewnie obiema rękoma oba uchwyty produktu.
- Przed każdym użyciem należy sprawdzić maszynę. Należy sprawdzić, czy wszystkie przyrządy urządzenia działają prawidłowo. Sprawdzić, czy wszystkie mocowania są dobrze dokręcone oraz czy nie ma wycieków paliwa itp. Upewnić się, że wszystkie elementy zabezpieczające, osłony i uchwyty są prawidłowo i bezpiecznie zamocowane. Wymienić wszystkie uszkodzone elementy przed rozpoczęciem użytkowania. Sprawdzić, czy akumulator nie ma wycieków.
- Sprawdzić żywopłoty i krzewy pod kątem obecności ukrytych przedmiotów, takich jak druciane ogrodzenia i ukryte przewody.
- W trakcie obsługi produktu należy stać na gruncie, w przeciwieństwie do drabiny lub jakiegokolwiek innego niestabilnego podłoża.
- Nie włączać produktu w miejscach źle oświetlonych. Produkt należy obsługiwać wyłącznie przy świetle dziennym lub przy odpowiednim sztucznym oświetleniu. Operator musi dobrze widzieć miejsce pracy, aby móc zidentyfikować potencjalne zagrożenia.
- Stosowanie środków ochrony słuchu zmniejsza słyszalność ostrzeżeń (alarmów, okrzyków). Należy zwracać szczególną uwagę na potencjalne zagrożenia na obszarze pracy. Nie dopuszczać do rozproszenia uwagi. Zawsze skupiać się na wykonywanym zadaniu.
- Aby ograniczyć ryzyko obrażeń związanych z kontaktem z częściami w ruchu, zawsze wylaczac produkt i wyjmować akumulator. Począć, aż zarówno produkt, jak i akumulator ostygną. Upewnić się, że wszystkie elementy ruchome zostały całkowicie zatrzymane:
 - przed przystąpieniem do regulacji położenia roboczego noża
 - przed serwisowaniem
 - przed usunięciem zatoru
 - przed sprawdzeniem, czyszczeniem i użytkowaniem produktu
 - przed wymianą akcesoriów
 - przed pozostawieniem produktu bez nadzoru
 - przed rozpoczęciem kontroli pod kątem braku uszkodzeń po uderzeniu w obiekt lub przedmiot
 - przed przystąpieniem do konserwacji
 - jeśli produkt zacznie wibrować w nietypowy sposób
- Nie wpychać produktu na siłę w gęsto zakrzewione obszary. Może to spowodować stępienie noży i

zwolnienie ich pracy. Gdy noże zwalniają, zmniejszyć prędkość posuwu.

- W przypadku upuszczenia produktu, narazenia jej na silne uderzenie lub w przypadku wystąpienia nietypowych wibracji należy natychmiast zatrzymać produkt i sprawdzić, czy nie ma oznak uszkodzenia lub ustalić przyczynę wibracji. Każdą uszkodzoną część należy odpowiednio naprawić lub wymienić w autoryzowanym punkcie serwisowym.
- Produkt należy stosować tylko w temperaturach od 0 °C do 40 °C.
- Produkt należy przechowywać w miejscu, w którym temperatura otoczenia wynosi od 0 °C do 40 °C.
- Długotrwałe użytkowanie narzędzia może spowodować obrażenia ciała lub nasilić dolegliwości zdrowotne. W przypadku długotrwałego użytkowania jakiegokolwiek produktu należy robić regularne przerwy.

AKUMULATOR — DODATKOWE OSTRZEŻENIA DOTYCZĄCE BEZPIECZEŃSTWA

- Aby ograniczyć ryzyko pożaru, obrażeń oraz uszkodzenia produktu z powodu zwarcia, nigdy nie zanurzać produktu, akumulatora ani ładowarki w płynie ani nie dopuszczać do przedostania się płynu do ich wnętrza. Zwarcie spowodować mogą korodujące lub przewodzące ciecze, takie jak woda morską, określone chemikalia i wybielacze lub produkty zawierające wybielacze.
- Akumulator należy ładować w miejscu, w którym temperatura otoczenia wynosi od 10 °C do 38 °C.
- Akumulator należy przechowywać w miejscu, w którym temperatura otoczenia wynosi od 0 °C do 20 °C.
- Akumulator należy użytkować w miejscu, w którym temperatura otoczenia wynosi od 0 °C do 40 °C.

TRANSPORT I PRZECHOWYWANIE

- Wyluzować zasilanie i wymontować akumulator. Upewnić się, że wszystkie elementy ruchome zostały całkowicie zatrzymane. Przed przechowywaniem lub transportem należy odczekać, aż produkt i akumulator ostygną.
- Usunąć z produktu wszelkie zanieczyszczenia. Nie przechowywać ani nie transportować produktu z włożonym akumulatorem. Wyjąć akumulator i zamocować go osobno. Należy przechowywać urządzenie w chłodnym, suchym i dobrze wentylowanym miejscu, które jest niedostępne dla dzieci. Nie przechowywać urządzenia wraz z materiałami korozyjnymi, takimi jak ogrodowe substancje chemiczne lub sól odmrażająca. Nie przechowywać produktu poza pomieszczeniami.
- Przed rozpoczęciem przechowywania lub transportu produktu należy zawsze założyć osłonę noża.
- W przypadku transportu produktu należy zabezpieczyć go przed przemieszczaniem się lub upadkiem, aby nie dopuścić do obrażeń ciała lub uszkodzenia urządzenia.

TRANSPORTOWANIE AKUMULATORÓW LITOWYCH

- Akumulatory należy transportować zgodnie z lokalnymi i krajowymi przepisami i regulacjami.
- Należy postępować zgodnie z wszystkimi specjalnymi wymaganiami dotyczącymi pakowania i etykietowania akumulatorów podczas transportu przez stronę trzecią. Upewnij się, że żadne akumulatory nie zetkną się z innymi akumulatorami lub materiałami przewodzącymi podczas transportu; w tym celu należy zabezpieczyć odkryte złącza nieprzewodzącymi nakładkami izolacyjnymi lub taśmą izolacyjną. Nie należy transportować pękniętych ani nieszczelnych akumulatorów. Szczegółowe porady można uzyskać w firmie spedycyjnej.

KONSERWACJA

- Należy stosować wyłącznie oryginalne części zamienne, akcesoria oraz przystawki producenta. W przeciwnym razie może dojść do obrażeń ciała, niskiej wydajności oraz do unieważnienia gwarancji.
- Serwisowanie wymaga wyjątkowej staranności i wiedzy. Może być wykonywane wyłącznie przez wykwalifikowany personel serwisowy. Serwisowanie należy powierzać wyłącznie autoryzowanemu serwisowi.
- Ostrza są bardzo ostre. Aby zapobiec obrażeniom, należy zachować bardzo wysoką ostrożność w trakcie czyszczenia, smarowania, mocowania lub demontażu osłony noży.
- Wyluzować zasilanie i wymontować akumulator. Poczekać, aż zarówno produkt, jak i akumulator ostygną. Przed przystąpieniem do czyszczenia lub konserwacji zawsze upewnić się, że wszystkie części ruchome całkowicie się zatrzymały.
- Możesz wykonywać czynności regulacyjne i naprawcze opisane w tej instrukcji obsługi. W przypadku innych napraw produkt należy oddawać wyłącznie do autoryzowanych serwisów.
- Po każdym użyciu należy wyczyścić korpus oraz uchwyty produktu miękką, suchą szmatką. Każdą uszkodzoną część należy odpowiednio naprawić lub wymienić w autoryzowanym punkcie serwisowym.
- Po każdym użyciu należy usunąć pozostałości z ostrzy za pomocą sztywnej szczotki, a następnie, przed montażem osłony ostrza, ostrożnie nanieść środek smarny chroniący przed rdzą. W celu zapewnienia równomiernego zużycia i ograniczenia ryzyka obrażeń spowodowanych kontaktem z ostrzami stosować smar antykorozyjny w aerozolu. Informacje na temat odpowiedniego produktu natryskowego można uzyskać w lokalnym autoryzowanym punkcie serwisowym.
- Często (w tym przed każdym użyciem) sprawdzać wszystkie nakrętki, śruby i wkręty pod kątem należytego dokręcenia, aby mieć pewność, że produkt jest bezpieczny. Każdą uszkodzoną część należy odpowiednio naprawić lub wymienić w autoryzowanym punkcie serwisowym.

Patrz str. 113.

1. Oslona tarczy
2. Przedni uchwyt
3. Spust przedni
4. Przycisk uruchamiający
5. Tylny uchwyt
6. Ostrze
7. Zamiatarka ogrodowa HEDGESWEEP
8. Oslona ostrza
9. Instrukcja obsługi
10. Akumulator
11. Ładowarka

SYMBOLE



Alarm bezpieczeństwa

Przed przystąpieniem do obsługi produktu należy przeczytać ze zrozumieniem wszystkie instrukcje. Należy przestrzegać wszystkich ostrzeżeń i instrukcji dotyczących bezpieczeństwa.



Stosować środki ochrony oczu, uszu i głowy.



Nosic nieslizgające się, trwałe rękawice ochronne.



Podczas korzystania z produktu należy nosić antypoślizgowe obuwie.



Aby nie dopuścić do poważnych urazów ciała, nie należy dotykać ostrzy.



Podczas pracy zawsze należy trzymać produkt obiema rękami.



Nie wystawiać urządzenia na działanie deszczu ani nie używać w miejscach o dużej wilgotności.



Uwaga na odrzucone przedmioty. Dopilnować, aby wszyscy gapie — zwłaszcza dzieci, a także zwierzęta — znajdowali się co najmniej 15 m od obszaru pracy.



Przed rozpoczęciem pracy z produktem wymontować akumulator.



Gwarantowany poziom mocy akustycznej

Zużytego sprzętu elektrycznego i elektronicznego, w tym zużytych baterii i akumulatorów, nie należy wyrzucać jako nieposortowanych odpadów komunalnych. Zużyty sprzęt elektryczny i elektroniczny, w tym zużyte baterie i akumulatory, musi być gromadzony osobno. Zużyte baterie, akumulatory i źródła światła muszą zostać usunięte ze sprzętu. Skontaktować się z lokalnymi władzami lub sprzedawcą detalicznym w celu uzyskania porad dotyczących recyklingu i punktu zbiórki odpadów. Zgodnie z lokalnymi przepisami sprzedawcy detaliczni mogą być zobowiązani do nieodpłatnego odbioru zużytego sprzętu elektrycznego i elektronicznego, w tym baterii i akumulatorów. Państwa wkład w ponowne wykorzystanie i recykling zużytego sprzętu elektrycznego i elektronicznego, w tym baterii i akumulatorów, pomaga zmniejszyć zapotrzebowanie na surowce. Zużyte baterie i akumulatory — w szczególności zawierające lit — a także pozostały sprzęt elektryczny i elektroniczny, zawierają nadające się do recyklingu i cenne materiały i surowce, które mogą mieć negatywny wpływ na środowisko naturalne i zdrowie ludzkie, jeśli nie są usuwane w sposób przyjazny dla środowiska naturalnego. Z utylizowanego sprzętu należy usunąć wszelkie ewentualne dane osobowe.



Při návrhu tohoto akumulátorového plotostřihu byl kladen obzvláštní důraz na bezpečnost, výkon a spolehlivost.

ZAMÝŠLENÉ POUŽITÍ

Tento akumulátorový plotostřih je určen ke stříhání a zastřihování živých plotů, keřů a podobné vegetace.

Výrobek je navržen pro domácí používání. Tento přístroj je určen pouze k venkovnímu používání za sucha a příznivých světelných podmínek. Tento přístroj není určen ke stříhání větví živých plotů, keřů a podobné vegetace o průměru přesahujícím střížnou kapacitu.

Přístroj nepoužívejte ji k jiným účelům.

OBECNÁ BEZPEČNOSTNÍ VAROVÁNÍ TÝKAJÍCÍ SE PRODUKTU

⚠ UPOZORNĚNÍ! Přečtěte si pozorně upozornění, pokyny a technické specifikace dodané s nářadím a prohlédněte si ilustrace. Nedodržení všech uvedených pokynů může vést k elektrickému šoku, požáru, popřípadě k závažnému poranění.

Uchovejte všechny pokyny a upozornění, abyste se k nim mohli v budoucnosti vrátit.

Termín „elektronářadí“ ve výstrahách odkazuje na produkt napájený ze sítě (s kabelem) nebo na baterie (bezdrátový).

ZABEZPEČENÍ PRACOVNÍŠTĚ

- Pracovní plocha musí být čistá a dostatečně osvětlená. Zaházené nebo tmavé oblasti vedou k nehodám.
- Elektrické nářadí nikdy nepoužívejte v místech, kde hrozí nebezpečí výbuchu, například v blízkosti hořlavých kapalin, plynů nebo prachu. Jiskření vznikající při práci s elektronářadím může způsobit požár nebo explozi.
- Při práci s elektronářadím pracujte v bezpečné vzdálenosti od okolních osob, dětí a domácích zvířat. Při práci nerozptylujte svou pozornost, abyste měli nářadí trvale pod kontrolou.

ELEKTRICKÁ BEZPEČNOST

- Koncovka napájecího kabelu musí být kompatibilní se zásuvkou elektrické sítě. Na kabelové koncovce nikdy neprovádějte žádné změny. K zapojení uzemněného elektrického nářadí nebo nářadí připojeného na kostru nepoužívejte síťový adaptér. Vyhněte se tak nebezpečí úrazu elektrickým proudem.
- Při práci se nedotýkejte uzemněných nebo ukostřených ploch (jako například rozvodů, topení, kamen, ledničky apod.). Nebezpečí úrazu elektrickým proudem se zvyšuje, pokud je některá část těla uživatele v kontaktu s uzemněnými plochami nebo uzemněním.
- Chráněte elektrické nářadí před deštěm a vlhkem. Při vniknutí vody do nářadí se zvyšuje riziko úrazu elektrickým proudem.

- Napájecí kabel je nutné udržovat v dobrém technickém stavu. Nářadí nikdy nedržte za napájecí kabel a neodpojujte je z elektrické sítě taháním za kabel. Napájecí kabel ponechte v dostatečné vzdálenosti od zdrojů tepla, olejů a ostrých předmětů. Pokud je napájecí kabel poškozený nebo překroucený, zvyšuje se riziko úrazu elektrickým proudem.
- Pokud pracujete venku, používejte pouze prodlužovací kabely vhodné pro práci ve venkovním prostředí. Vyhněte se tak nebezpečí úrazu elektrickým proudem.
- Pokud nelze zabránit použití nářadí ve vlhkém prostředí, použijte zdroj s proudovým chráničem (ochranou pro zbytkový proud). Použití proudového chrániče snižuje riziko úrazu elektrickým proudem.

OSOBNÍ BEZPEČNOST

- Buďte opatrní, při práci s elektronářadím pozorně sledujte, co děláte, a řiďte se zdravým rozumem. Nepoužívejte elektrické nářadí, pokud jste unavení, pod vlivem alkoholu, drog nebo užíváte-li léky, které snižují pozornost. Nezapomeňte, že i pouhý okamžik nepozornosti může být příčinou závažného úrazu.
- Používejte osobní ochranné prostředky. Vždy chraňte své oči. V závislosti na pracovních podmínkách používejte protiprašný respirátor, protiskluzovou obuv, přilbu a chrániče sluchu. Snižíte tak riziko tělesného úrazu.
- Vyvarujte se tak náhodnému spuštění nářadí. Před připojením nářadí ke zdroji elektrického napětí (do elektrické sítě nebo před zasunutím akumulátoru) a před přenášením nářadí zkontrolujte, zda je spínač nářadí ve vypnuté poloze. Zbytečně se nevystavujte riziku úrazu a při přenášení nářadí nebo při zasouvání akumulátoru nedržte prst na spínači a nepřepínejte spínač do polohy „zapnuto“.
- Před zapnutím nářadí odstraňte utahovací klíče. Uťahovací klíč nasazený na některý z pohyblivých se dílů nářadí může způsobit vážný úraz.
- Vždy pracujte v rovnovážné a stabilní poloze. Stůjte pevně oběma nohama na stabilní ploše, ruce nenatahujte příliš daleko nebo vysoko. Stabilní pracovní poloha umožňuje lepší kontrolu nářadí v případě nepředvídané události.
- Noste vhodný přiléhavý pracovní oděv. Nenoste široký plandající oděv a šperky. Udržujte vlasy a oblečení v dostatečné vzdálenosti od pohyblivých částí. Široký oděv, šperky a dlouhé vlasy by se v nich mohly zachytit.
- Pokud je nářadí dodáno se sběrným vákem / odsávačem prachu, zkontrolujte, zda jsou odsávač prachu nebo sběrný vak řádně nasazený na nářadí. Snižíte tak rizika související se vznikem prachu.
- Nespoléhejte na svou zběhlost pramenící z častého používání výrobku a neignorujte bezpečnostní principy výrobku. Nedbalost může způsobit závažné poranění ve zlomku vteřiny.

POUŽÍVÁNÍ A ÚDRŽBA ELEKTRICKÉHO NÁŘADÍ

- Na nářadí netlačte. Nářadí vyberejte podle povahy práce, kterou chcete provádět. Elektrické nářadí nepřetěžujte, dodržujte předepsaný pracovní režim, nářadí tak bude bezpečnější a účinnější.
- Nářadí nepoužívejte, pokud ho nelze zapnout nebo vypnout hlavním spínačem. Nářadí, které nelze správně zapnout a vypnout, je nebezpečné a je bezpodmínečně nutné ho nechat opravit.
- Před jakýmkoli úpravami, výměnou příslušenství či uložením elektrického náčiní vyjměte zástrčku ze zdroje elektrického napájení, popřípadě vyjměte baterii z výrobku. Omezíte tak riziko nechtěného spuštění nářadí.
- Nářadí uskladněte mimo dosah dětí. Nedovolte nezkušeným uživatelům a nepoučeným osobám, které se neseznámily s bezpečnostními předpisy, používat toto nářadí. Nářadí může být nebezpečné v rukou nezkušených osob.
- Provádějte pravidelnou údržbu náčiní a příslušenství. Zkontrolujte, zda jsou pohyblivé prvky stroje v zákrytu. Zkontrolujte, zda žádný díl není zlomený. Zkontrolujte správnost montáže nářadí a funkčnost všech dílů, které mohou narušit bezpečný provoz nářadí. Pokud je některý díl nářadí poškozen, nářadí dále nepoužívejte a nechte ho opravit. Řada úrazů bývá zapříčiněna nesprávnou údržbou nářadí.
- Nářadí udržujte čisté a naostřené. Správně naostřené a čisté nářadí bude méně blokovat. Nářadí tak budete mít lépe pod kontrolou.
- Elektrické nářadí a jeho příslušenství použijte v souladu s pokyny v návodu a dodržujte doporučené podmínky používání vzhledem k povaze práce. Abyste se nedostali do nebezpečné situace, nářadí používejte pouze k předepsaným účelům.
- Rukojeti a úchytné plochy udržujte suché, čisté a zbavené oleje a mastnoty. Kluzké rukojeti a úchytné plochy neumožňují v nečekaných situacích bezpečné použití výrobku a kontrolu nad ním.

SPECIFICKÉ BEZPEČNOSTNÍ POKYNY PŘI POUŽÍVÁNÍ AKUMULÁTOROVÉHO ELEKTRONÁŘADÍ

- K nabíjení akumulátoru použijte pouze nabíječku doporučenou výrobcem. Při použití nevhodné nabíječky, která není kompatibilní s vaším modelem akumulátoru, můžete způsobit požár.
- Akumulátorové nářadí je možné používat pouze s dobíjecím akumulátorem. Používání jiného typu baterií může způsobit požár.
- Pokud akumulátor nepoužíváte, uschovejte ho v dostatečné vzdálenosti od kovových (vodivých) předmětů, jakými jsou např. kancelářské svorky, mince, klíče, hřebíky, šrouby a jiné kovové předměty, které by mohly vytvořit spojení mezi svorkami akumulátoru. Zkratování kontaktů může způsobit jiskření, popáleniny, případně požár.

- Elektrolytu, který může vytékat z akumulátoru při jeho nesprávném používání, se v žádném případě nedotýkejte. Pokud dojde k potřísnění pokožky chemikáliemi, omyjte postižené místo čistou vodou. Při zasažení očí vyhledejte lékaře. Kontakt s chemikáliemi, které mohou vytékat z akumulátoru, může způsobit podráždění nebo popáleniny.
- Nepoužívejte baterii ani náčiní, které je poškozené nebo pozměněné. Poškozené nebo pozměněné baterie se mohou zachovat nepředvidatelným způsobem a způsobit požár, výbuch či riziko poranění.
- Baterii či výrobek nevystavujte požáru ani vysokým teplotám. Vystavení požáru či teplotám nad 130 °C může způsobit výbuch.
- Dodržujte pokyny pro nabíjení a baterii či výrobek nabíjejte pouze v teplotním rozmezí uvedeném v pokynech. Nesprávné nabíjení či nabíjení při teplotě jiné, než je uvedeno v pokynech, může poškodit baterii a zvýšit riziko vzniku požáru.

ÚDRŽBA

- Opravy smí být prováděny pouze kvalifikovaným opravářem za pomoci originálních náhradních dílů. Jen tak jsou splněny základní požadavky na bezpečnost elektrického nářadí.
- Poškozené baterie nikdy neopravujte. Opravu baterií smí provádět pouze výrobce nebo oprávněná servisní firma.

BEZPEČNOSTNÍ UPOZORNĚNÍ K AKUMULÁTOROVÉMU PLOTOSTŘIHU

- Plotostřih nepoužívejte za nepříznivého počasí, obzvláště hrozí-li riziko zásahu bleskem. Toto snižuje riziko zasažení bleskem.
- Dbejte na to, aby v prostoru prořezávání nebyly žádné elektrické šňůry a kabely. Napájecí šňůry a kabely mohou být skryté v živých plotech nebo keřích a nedopatřením může dojít k jejich přeseknutí.
- Noste ochranu sluchu. Odpovídající ochranné vybavení snižuje riziko ztráty sluchu.
- Plotostřih držte pouze na izolovaných plochách, protože jeho nože mohou přijít do styku se skrytými vodiči. Styk nožů s fázovým vodičem může vystavit kovové části plotostřihu napětí proti zemi a způsobit uživateli úraz elektrickým proudem.
- Nepřibližujte se žádnou částí těla k nožům. Neodstraňujte pořezaný nebo zachycený materiál, když se nože pohybují. Nože se otáčejí i po vypnutí motoru. Chvilu nepozornosti při práci s tímto výrobkem může způsobit vážná osobní poranění.
- Při odstraňování uvíznutého materiálu nebo údržbě nůžek na živý plot se ujistěte, že jsou všechny vypínače vypnuté a akumulátor je vyjmutý, nebo odpojený. Náhodné spuštění plotostřihu během odstraňování zachyceného materiálu nebo provádění servisu může způsobit úraz.

- Plotostřih nosíte za rukojeť při zastavených nožích a dávejte pozor, ať nedojde k zapnutí. Správný způsob nošení plotostřihu snižuje riziko náhodného spuštění a následného poranění noží.
- Při prepravě nebo uložení plotostřihu na něj vždy nasadíte kryt nože. Správné zacházení s plotostřihem snižuje riziko úrazu od nožů.

DOPLŇUJÍCÍ BEZPEČNOSTNÍ VAROVÁNÍ

- Nepokoušejte se sekat stonky nebo větvičky o tloušťce přesahující řeznou kapacitu uvedenou na specifikací tabulce nebo které jsou očividně příliš dlouhé, než aby se vešly pod sekací čepel. Použijte neelektrickou ruční pilu nebo vyvívavací pilu pro řezání velkých větví.
- Během provozu výrobku jej vždy držte pevně oběma rukama za dvě rukojeti.
- Zkontrolujte nástroj před každým použitím. Ověřte správnou funkci všech ovládacích prvků. Zkontrolujte, zda nejsou uvolněny sponky, neuniká palivo atd. Ujistěte se, že jsou všechny ochranné kryty, a rukojeti správně a bezpečně nasazeny. Před použitím vyměňte jakékoliv poškozené součásti. Proveďte kontrolu akumulátoru na netěsnost.
- Zkontrolujte, zda se v plotech a keřích nenacházejí cizorodé předměty, například pleťivo nebo kabeláž.
- Přístroj se smí používat pouze na úrovni země a nikoliv na žebříku či jiném nestabilním povrchu.
- Výrobek nepoužívejte při špatném osvětlení. Používejte výrobek pouze ve dne nebo v dobrém umělém osvětlení. Obsluha musí mít čistý výhled na pracovní oblast k identifikaci potenciálních nebezpečí.
- Uvědomte si, že použití ochrany sluchu snižuje vaši schopnost slyšet varování (poplachy nebo výkřiky). Věnujte zvláštní pozornost na potenciálním nebezpečím kolem a uvnitř pracovní plochy. Nenechejte se ničím vyrušit a plně se soustředte na svou činnost.
- K snížení rizika úrazu v důsledku styku s pohyblivými díly výrobek vždy vypnete a vyjmete baterii. Nechte oba zchladnout. Ujistěte se, že se zastavily všechny pohyblivé díly:
 - před seřizováním provozní polohy řezných prostředků
 - před servisem
 - před čištěním usazenin
 - před kontrolou, čištěním nebo prací na nástroji
 - před výměnou příslušenství
 - před opuštěním výrobku
 - před kontrolou poškození po nárazu do předmětu
 - před prováděním údržby
 - pokud stroj začne abnormálně vibrovat
- Netlačte přístroj násilím přes husté kroviny. Může to způsobit zaseknutí nože do dřeva a zpomalování. Pokud se nože zpomalují, snižte rychlost.

- Pokud začne po pádu, silných nárazech nástroj nenormálně vibrovat, zastavte nástroj a ihned zjistíte příčinu vibrací a rozsah škod. Jakýkoliv poškozený díl je nutné správně opravit nebo nechat vyměnit v autorizovaném servisním středisku.
- Přístroj provozujte pouze při teplotách mezi 0 °C a 40 °C.
- Přístroj skladujte v místě s teplotou prostředí mezi 0 °C a 40 °C.
- Poranění mohou být způsobena, či zhoršena, prodlouženým používáním nástroje. Používáte-li tento přístroj delší dobu, zajišťujte pravidelné přestávky.

DOPLŇUJÍCÍ BEZPEČNOSTNÍ UPOZORNĚNÍ K BATERII

- Ke snížení rizika požáru, úrazu a poškození výrobku v důsledku zkratu nikdy nenote přístroj, baterii ani nabíječku do tekutiny a nedovoďte, aby do nich tekutina vnikla. Korodující nebo vodivé kapaliny, jako je slaná voda, určité chemikálie a bělicí prostředky nebo výrobky, které obsahují bělidlo, mohou způsobit zkrat.
- Baterii dobíjejte na místě s teplotou prostředí mezi 10 °C a 38 °C.
- Baterii skladujte na místě s teplotou prostředí mezi 0 °C a 20 °C.
- Baterii používejte na místě s okolní teplotou 0 °C a 40 °C.

TRANSPORT A SKLADOVÁNÍ

- Vypnete přístroj a vyjmete akumulátor. Ujistěte se, že se zastavily všechny pohyblivé díly. Před uskladněním nebo přepravou nechte výrobek a akumulátor vychladnout.
- Odstraňte z výrobku všechny cizí materiál. Výrobek neskladujte ani nepřenášejte s vloženou baterií. Vyjměte baterii a zajistěte ji odděleně. Ukládejte v chladných, suchých a dobře větraných prostorech, které nejsou přístupné dětem. Udržujte produkt mimo korozivní materiály, například zahrádkářské chemikálie a rozmrazovací soli. Výrobek neskladujte venku.
- Před uložením nebo transportem produktu nasadte kryt ostří.
- Při transportu výrobku zajistěte proti pohybům nebo pádu, abyste zabránili poranění osob nebo poškození výrobku.

TRANSPORT LITHIOVÝCH BATERIÍ

- Přenos baterií dle místních a národních opatření a předpisů.
- Dodržujte všechny zvláštní požadavky na balení a značení při transportu baterií třetí stranou. Zajistěte, aby žádné baterie nepřišly do kontaktu s jinými bateriemi nebo vodivými materiály při transportu pomocí ochrany nekrytých kontaktů prostřednictvím izolace, nevodivých krytek či lepicích pásek. Neprepravujte prasklé nebo baterie s unikajícím elektrolytem. Ptejte se u zásilkové společnosti na další radu.

ÚDRŽBA

- Používejte pouze originální příslušenství, doplňky a náhradní díly výrobce. Zanedbání může zapříčinit možné poranění, slabý výkon a může dojít ke ztrátě záruky.
- Údržba vyžaduje extrémní péči a znalosti a měla by být prováděna pouze kvalifikovaným servisním technikem. Výrobek nechte opravit pouze v pověřeném servisu.
- Řezací nože jsou velmi ostré. Abyste zabránili úrazu, věnujte mimořádnou pozornost čištění, mazání, připevňování i odstraňování krytu čepele.
- Vypnete přístroj a vyjmete akumulátor. Nechte oba zchladnout. Veškeré pohyblivé části se před jakoukoliv očistou nebo údržbou musejí kompletně zastavit.
- Můžete provádět v návodu k obsluze uvedené opravy a serizení. Jiné opravy výrobku svěřujte pouze pověřenému servisnímu středisku.
- Po každém použití očistěte těleso a rukojeti výrobku měkkým a suchým hadříkem. Jakýkoliv poškozený díl je nutné správně opravit nebo nechat vyměnit v autorizovaném servisním středisku.
- Po každém použití ocistete necistoty z nožu tvrdým štětcem a poté opatrně naneste antikoroziní přípravek před upevněním krytu nože. Používejte antikoroziní lubrikant ve spreji. Nanášejte jej rovnoměrně a dbejte pítom na snižování rizika úrazu stykem s čepelemi. Informace o vhodném spreji získáte u místního pověřeného servisního střediska.
- Pravidelně a před každým použitím kontrolujte, zda jsou matice, šrouby a šroubky řádně utažené, aby byl výrobek v bezpečném provozním stavu. Jakýkoliv poškozený díl je nutné správně opravit nebo nechat vyměnit v autorizovaném servisním středisku.



Navléknete si pevné neklouzavé pracovní rukavice.



Noste neklouzavou bezpečnostní obuv, když používáte tento výrobek.



Pro zabránění poranění se nedotýkejte rezacích nožů.



Vždy při provozování produktu ho držte obema rukama.



Nevystavujte dešti nebo nepoužívejte ve vlhkých podmínkách.



Dávejte pozor na odmrštěné nebo odletující předmety. V okruhu nejméně 15 m od pracovního prostoru se nesmí vyskytovat žádní přihlížející, zejména děti a zvířata.



Před zahájením jakékoli práce na přístroji vyjmete akumulátor.



Zaručená hladina akustického výkonu

Nelikvidujte vybité baterie a elektrické a elektronické zařízení společně s netříděným komunálním odpadem. Vybité baterie a elektrický a elektronický odpad musí být shromažďovány odděleně. Vybité baterie, akumulátory a odpadní světelné zdroje musí být od zařízení odděleny. Zjistěte si u místní samosprávy nebo u maloobchodníka, jaké jsou pokyny k recyklaci a kde je sběrné místo. Podle místních nařízení mohou mít maloobchodníci povinnost brát bezplatně zpět vybité baterie, elektrický a elektronický odpad. Když budete přispívat k opětovnému použití a recyklaci vybitých baterií a elektrického a elektronického odpadu, pomůže to snížit potřebu surovin. Vybité baterie, elektrický a elektronický odpad obsahují cenné a recyklovatelné materiály, které mohou mít nepříznivý dopad na životní prostředí a lidské zdraví, nebudou-li zlikvidovány ekologickým způsobem. Odstraňte z odpadu osobní údaje, pokud nějaké obsahuje.

POZNEJTE SVŮJ NÁSTROJ

Viz strana 113.

1. Kryt pilového kotouče
2. Přední rukojet
3. Přední spínac
4. Spoušť
5. Zadní rukojet
6. Nuž
7. HEDGESWEEP sberace odrezku
8. Kryt nože
9. Návod k obsluze
10. Baterie
11. Nabíječka



SYMBOLY



Bezpečnostní výstraha



Před používáním výrobku se obeznamte se všemi pokyny. Dbejte na všechna upozornění a dodržujte bezpečnostní pokyny.



Používejte ochranu zraku, sluchu a hlavy.

EN
FR
DE
ES
IT
NL
PT
DA
SV
FI
NO
RU
PL
CS
HU
RO
LV
LT
ET
HR
SL
SK
BG
UK
TR
EL

HU AZ EREDETI ÚTMUTATÓ FORDÍTÁSA

Az akkumulátoros sövényvágó tervezése során elsődleges szempont volt a biztonság, a teljesítmény és a megbízhatóság.

RENDELTESSZERŰ HASZNÁLAT

Az akkumulátoros sövényvágó sövények, bokrok és hasonló növényzet vágására és nyírására készült.

A termék otthoni vagy háztartási használatra készült. A terméket csak kültéren, száraz környezetben, jó megvilágítás mellett használja. A termék nem használható a vágási kapacitásánál nagyobb átmérőjű sövény, cserje és hasonló növényzet vágására.

Semmilyen más célra ne használja.

ÁLTALÁNOS TERMÉKBIZTONSÁGI FIGYELMEZTETÉSEK

⚠ FIGYELMEZTETÉS! Figyelmesen olvassa el az ehhez a számszámhoz mellékelt összes figyelmeztetést, utasítást és műszaki adatokat, valamint tanulmányozza az ábrákat is. Ha nem tartja be a lent felsorolt összes utasítást, az áramütést, tüzet és/vagy súlyos sérülést okozhat.

Őrizze meg ezeket a figyelmeztetéseket és utasításokat a későbbi tájékozódásra is.

A figyelmeztetésekből a „elektromos szerszám” a hálózatról működtetett (vezetékes) vagy az akkumulátorral üzemelő (vezeték nélküli) termékre utal.

A MUNKATERÜLET BIZTONSÁGA

- Gondoskodjon a munkaterület rendszeres takarításáról és kellő megvilágításáról. A rendetlen vagy sötét munkaterületek balesetekhez vezethetnek.
- Ne használjon elektromos szerszámokat robbanásveszélyes környezetben, például gyúlékony folyadékok, gázok vagy porok közelében. Az elektromos szerszám motorjából származó szikra tüzet és robbanást okozhat.
- Tartsa távol a gyermekeket, a többi személyt és a háziállatokat az elektromos szerszámot igénylő munkákat végzése alatt. A gyermekek és más személyek elvonhatják a figyelmét, és emiatt elveszítheti a szerszám felett az uralmát.

ELEKTROMOS BIZTONSÁGI ELŐÍRÁSOK

- Az elektromos szerszám csatlakozóvillája meg kell hogy feleljen a dugaszoló aljzatnak. Soha ne alakítsa át / ne módosítsa a csatlakozó dugaszt. Soha ne használjon adaptert földelt elektromos szerszámokkal. Ezáltal elkerülheti az áramütés veszélyét.
- Kerülje a földelő (testelő) felületekkel való bármilyen érintkezést (például csövezeték, radiátor, gáz-vagy villanytűzhely, hűtőszekrény stb.). Az áramütés veszélye nő azzal, ha testének valamely része földelt (testelő) felülethez ér.
- Elektromos szerszámot ne tegyen ki esőnek vagy párának, nedvességnek. Az áramütés veszélye megnő, ha a víz az elektromos szerszámba megy.
- Ügyeljen arra, hogy az elektromos hálózati tápvezeték mindig jó állapotban legyen. Soha ne tartsa a szerszámot a tápvezetékénél fogva, illetve

soha ne a zsinóránál fogva húzza ki azt a hálózati aljzataból. Tartsa távol a hálózati tápvezetékét hőforrásoktól, olajos dolgoktól, éles peremektől / tárgyaktól és mozgásban lévő részekről. Az áramütés veszélye megnő, ha a vezeték sérült ill. össze van gubancolva.

- Ha a szabadban dolgozik, kizárólag kültéri használatra gyártott és jóváhagyott hosszabbító vegyen igénybe. Ezáltal elkerülheti az áramütés veszélyét.
- Amennyiben mégis elkerülhetetlen, hogy nedves / páras környezetben dolgozzon, akkor csatlakoztassa a szerszámot olyan hálózatra, amelyben maradékáram-működtetésű áramvédőkapcsoló (ÁVK-RCD) van. Az ÁVK használata nagyban csökkenti az áramütés veszélyét.

SZEMÉLYI BIZTONSÁG

- Mindig óvatosan és körültekintően cselekedjen, győződjön meg a jó ítélőképességéről, ha elektromos szerszámot használ. Ne használja az elektromos szerszámot, ha fáradt, szeszest italt vagy kábítószerrel fogyasztott, illetve ha orvosságot szed. Soha ne feledje, hogy egy pillanatnyi figyelmetlenség is elegendő ahhoz, hogy súlyosan megsérüljön.
- Használjon védőfelszerelést. Használjon mindig valamilyen biztonsági eszközt a szem védelmére. Amennyiben a körülmények megkívánják, hordjon porvédő maszkot, csúszásgátló talppal ellátott cipőt, sisakot és hallásvédő eszközt (fülvédőt, fül dugót) is a súlyos testi sérülésekkel járó balesetek elkerülése érdekében.
- Kerülje a szerszám véletlenszerű beindítását. Bizonyosodjon meg arról, hogy a kapcsoló „ki” állásban van, mielőtt a szerszámot a dugaszoló aljzathoz csatlakoztatja vagy akkumulátort helyez bele, és hasonlóképp, ha kezébe veszi vagy áthelyezi / szállítja a szerszámot. A balesetveszély elkerülése érdekében soha ne helyezze át / szállítsa a szerszámot úgy, hogy ujjja a ravaszra van, valamint ne csatlakoztassa azt / ne helyezzen bele akkumulátort, ha a kapcsoló „be” állásban van.
- Távolítsa el a beállítókulcsokat a szerszámról, mielőtt bekapcsolja. A szerszám valamely mozgó részére rögzülő csavarok súlyos testi sérüléssel járó balesetet okozhat.
- Ügyeljen arra, hogy munka közben mindig stabilan, egyensúlyban álljon. Álljon fél-terpesz állásban, és ne nyújtsa túl messze a karját. A stabil munkapozíció hozzásegíti ahhoz, hogy jobban uralma alatt tartsa a szerszámot, és nagyobb biztonsággal védje ki a nem várt eseményeket.
- A munkának megfelelő ruházatot viseljen. Munka közben ne hordjon bő ruhát és ékszer. Haját és ruháját tartsa távol a mozgó alkatrészekről. A bő ruhát, az ékszert és a hosszú haját a szerszám mozgó részei bekapcsolhatják.
- Ha a szerszámhoz pórelszívó eszköz van mellékelve, ügyeljen arra, hogy azt megfelelőképp szerelje fel és használja. Ezáltal jelentősen csökken a baleset veszélye.
- A gyakori szerszámhasználat során megszerzett ismereteitől ne legyen öntelt, és ne hagyja figyelmen kívül a biztonsági irányelveket. Egy gondatlan cselekedet súlyos sérülést okozhat a másodperc törtrésze alatt.

AZ ELEKTROMOS SZERSZÁMOK HASZNÁLATA ÉS KARBANTARTÁSA

- **Ne erőltesse a szerszámot. Mindig az elvégzendő munkának megfelelő eszközt használja.** Az elektromos szerszám hatékonysága, valamint az igénybevétel biztonsága akkor maximális, ha rendeltetésének és teljesítményének megfelelően használja.
- **Ne használja az elektromos szerszámot, ha a be-ki kapcsológomb nem teszi lehetővé a szerszám bekapcsolását illetve leállítását.** Egy olyan szerszám, amelyet nem lehet megfelelőképp be-és kikapcsolni, az veszélyes, és feltétlenül meg kell javíttatni.
- **Bármilyen módosítás, a tartozékok cseréje vagy tárolás előtt húzza ki a dugót az áramforrásból és/ vagy vegye le az akkusomagot (ha leválasztható) a szerszámgerőről.** Ezáltal jelentősen csökkenti a szerszám véletlenszerű beindításának veszélyét.
- **Az elektromos szerszámot gyermekek számára nem hozzáférhető helyen kell tárolni.** Ne hagyja, hogy olyan személyek használják a szerszámot, akik nem ismerik a működését, vagy nincsenek tudomással a biztonsági előírásokról. Tapasztalatlan kezek között az elektromos szerszámok veszélyesek lehetnek.
- **A szerszámgepeket és a tartozékait tartsa karban.** Ellenőrizze a mozgó alkatrészek beállítását. Ellenőrizze, hogy egyetlen alkatétel sem tört el. Ellenőrizze az összes alkatrész felszerelését / illeszkedését és minden egyéb körülményt, ami befolyásolhatja a szerszám működését. Ha meghibásodást észlel, javíttassa meg a szerszámot, mielőtt újra használatba veszi. Számos baleset a szerszámok nem megfelelő karbantartására vezethető vissza.
- **Ügyeljen arra, a vágószerszámok mindig tiszták és élesek legyenek.** Ha a vágószerszám éle jól meg van élesítve és tiszta, akkor kevésbé hajlamos arra, hogy beszoruljon / megakadjon, így jobban megtarthatja uralmát a szerszám felett.
- **Az elektromos szerszámot, a tartozékokat, a szerszámfejeket stb. a jelen használati utasításoknak megfelelően, a használati feltételeknek ill. a kívánt alkalmazásnak a figyelembevételével használja.** A veszélyes helyzetek elkerülése érdekében az elektromos szerszámokat kizárólag olyan munkálatokra használja, amelyekre azokat tervezték / fejlesztették.
- **A fogantyúkat és fogófelületeket tartsa szárazon, tisztán, olajtól és zsírtól mentesen.** A csúszós fogantyúk és fogófelületek miatt nem lehet biztonságosan kezelni és vezérelni a szerszámot váratlan helyzetekben.

A VEZETÉK NÉLKÜLI SZERSZÁMOKRA VONATKOZÓ SPECIÁLIS BIZTONSÁGI ELŐÍRÁSOK

- **Kizárólag a gyártó által előírt töltővel töltsé a szerszám akkumulátorát.** Az előírástól eltérő típusú, nem az akkumulátorhoz való töltő használata tüzet okozhat.
- **Egy akkumulátoros (vezeték nélküli) szerszámhoz csak az adott, neki megfelelő, speciális akkumulátor használható.** Bármilyen más típusú akkumulátor használata tüzet okozhat.
- **A használaton kívüli akkumulátort tartsa távol az olyan fémtárgyaktól, mint pl. gémkapocs, pénzérme, kulcs, csavar, szög és bármilyen olyan tárgy, mely rövidre zárhatja az akkumulátor sarkait.** Az

akkumulátor saruinak (csatlakozó sarkainak) rövidre zárása égési sérüléseket és tüzet idézhet elő.

- **Kerüljön bármiféle kontaktust, érintkezést az akkumulátorfolyadékkal, abban az esetben, ha a tűzoltó használat következtében szivárogni kezdene.** Amennyiben ez mégis megtörténne, öblítse le az érintett felületet tiszta, bő vízzel. Ha a folyadék szembe kerül, forduljon ezek után orvoshoz is. Az akkumulátorból kikerülő folyadék irritációt válthat ki, és égési sérüléseket okozhat.
- **Ne használjon sérült vagy módosított akkusomagot vagy szerszámot.** A sérült vagy módosított akkumulátorok kiszámíthatatlanul viselkedhetnek, ami tüzet, robbanást vagy sérülésveszélyt okozhat.
- **Az akkusomagot vagy a szerszámot ne tegye ki tűz vagy túl magas hőmérséklet hatásának.** Ha mégis így tesz (tűz, 130 °C feletti hőmérséklet), az robbanást okozhat.
- **Kövessen minden töltési utasítást, és ne töltsé az akkusomagot vagy szerszámot az útmutatóban megadott hőmérséklettartományon kívül.** A helytelen vagy a megadott tartományon kívüli hőmérsékleteken végzett töltés sérülést okozhat az akkumulátornak, és növelheti a tűz kockázatát.

KARBANTARTÁS

- **A javítási munkálatokat egy olyan, erre képzett szakemberre kell bízni, aki kizárólag eredeti cserealkatrészeket használ.** Az elektromos szerszámot így teljes biztonságban tudja majd használni.
- **A sérült akkusomagokat soha ne próbálja megjavítani.** Ilyet csak a gyártó vagy hivatalos szolgáltatók végezhetnek.

AZ AKKUMULÁTOROS SÖVÉNYVÁGÓ BIZTONSÁGI FIGYELMEZTETÉSEI

- **Ne használja a sövényvágót rossz időjárási körülmények között, különösen villámás kockázata idején.** Ez csökkenti a villámcsapás kockázatát.
- **Tartsd minden tápkábelt és vezetékét távol a vágóterülettől.** Tápkábelek és vezetékek lehetnek sövényben vagy bokorban rejtve, és a kés véletlenül elvághatja őket.
- **Viseljen fülvédőt.** A megfelelő védőeszközök használata csökkenti a halláskárosodás kockázatát.
- **A sövényvágót csak a szigetelt fogófelületeknél tartsa, mert a kés hozzáférhet rejtett vezetékekhez.** Ha feszültség alatti vezetékkel érintkezik a kés, akkor a sövényvágó külvilággal érintkező fémrészei is áram alá kerülhetnek, és megrághatják a kezelőt.
- **Tartsa távol minden testrészét a késtől.** Ne távolítsa el a levágott anyagot, és ne tartsa a levágni kívánt anyagot mozgó kések mellett. A pengék a motor leállítása után még forognak. A termékek használata közben már egyetlen figyelmetlen pillanat is súlyos személyi sérüléshez vezethet.
- **Az elakadt anyagok eltávolításakor vagy a sövényvágó szervizelésekor győződjön meg arról, hogy minden tápkapcsoló ki van kapcsolva, valamint az akkumulátorcsomag el van távolítva vagy le van választva.** Súlyos személyi sérülést okozhat, ha javítás vagy a beragadt anyag kitisztítása közben a szegélynyíró váratlanul elindul.

- A sövényvágót a fogantyújánál fogva szállítsa, leállított késsel, vigyázza arra, hogy ne működtesse a kapcsolatokat. A sövényvágó megfelelő szállítása csökkenti a véletlen elindulás és az ebből eredő, kések által okozott személyi sérülés kockázatát.
- A sövényvágó szállításakor vagy tárolásakor mindig illesse rá a késburkolatot. A sövényvágó megfelelő kezelése csökkenti a kések által okozott személyi sérülés kockázatát.

TOVÁBBI BIZTONSÁGI FIGYELMEZTETÉSEK

- Ne próbáljon olyan hajtásokat vagy faágakat átvágni, melyek vastagabbak a specifikációs táblázatban megadott vágási kapacitásnál, vagy amelyek nyilvánvalóan nem férnek be a vágókészbe. A vastagabb ágakat egy kézfűrész vagy ágazófűrész segítségével vágja le.
- Működtetése közben mindig stabilan, mindkét kezével fogja a terméket a két fogantyúnál.
- Minden használat előtt vizsgálja át a gépet. Ellenőrizze az összes kezelőszerv megfelelő működését. Ellenőrizze a meglazult alkatrészeket, az üzemanyag-szivárgást stb. Ügyeljen rá, hogy minden a védőburkolat, terelőlemez és fogantyú megfelelően fel legyen szerelve és rögzítve. Használat előtt cserélje ki az összes sérült alkatrészt. Ellenőrizze az akkumulátor szivárgását.
- Ellenőrizze a sövényeket és bokrokat, nincsenek-e bennük idegen tárgyak, mint például drótkerítések vagy rejtett vezetékek.
- A terméket csak a talaj szintjén használja, létrán vagy más ingatag támasztékon ne.
- Ne használja a terméket rossz fényviszonyok között. Nappal vagy jó mesterséges megvilágításnál használja a terméket. A kezelőnek tisztá rálátással kell rendelkeznie a munkaterületre, hogy azonosíthassa a potenciális veszélyeket.
- A fűlvédő használata korlátozza az embert a figyelmeztetések (kiáltások vagy riasztások) meghallásában. Figyeljen különösen oda a potenciális veszélyekre a munkaterület körül és a munkaterületen. Legyen nyugodt, mindig koncentrájon a feladatra.
- A mozgó alkatrészekkel való érintkezés miatti sérülés kockázatának csökkentéséhez mindig állítsa le a terméket és vegye ki az akkucsomagot. Hagyja mindkettőt lehűlni. Ellenőrizze, hogy minden mozgó rész teljesen megállt:
 - mielőtt a vágóeszköz munkahelyzetét beállítja
 - szervizelés előtt
 - az eltömődés eltávolítása előtt
 - ellenőrzés, karbantartás vagy a gépen végzett bármilyen művelet megkezdése előtt
 - kiegészítők cseréje előtt
 - mielőtt magára hagyná a terméket
 - mielőtt a sérülést ellenőrizné, miután hozzáütődött az eszköz egy tárgyhoz
 - karbantartás előtt
 - ha a gép szokatlanul kezd rezegni
- Ne erőltesse a terméket nagyon sűrű bozótban. Ez a kések beakadását és a lelassulását okozhatja. Ha a kés lelassult, csökkentse a haladási sebességét.
- Ha a gép leesett, eros ütést kapott vagy rendellenesen kezd vibrálni, azonnal állítsa le a gépet, és vizsgálja át

sérülések tekintetében vagy azonosítsa a vibráció okát. A sérült alkatrészeket egy hivatalos szervizközpontban kell megjavíttatni vagy kicseréltetni.

- Csak 0 °C és 40 °C közötti hőmérsékleten használja a készüléket.
- A készüléket 0 °C és 40 °C közötti hőmérsékleten tárolja.
- Hosszabb használat sérülést okozhat. Ha a terméket hosszabb ideig használja, ügyeljen arra, hogy rendszeresen tartson szünetet.

AZ AKKUMULÁTOR KIEGÉSZÍTŐ BIZTONSÁGI FIGYELMEZTETÉSEI

- A rövidzárlat általi tűz, sérülések vagy termékárosodások veszélye elkerülésére ne merítse a szerszámot, a cserélhető akkut vagy a töltőkészüléket folyadékba, és gondoskodjon arról, hogy ne hatoljanak folyadékok a készülékekbe és az akkuba. A korrozív hatású vagy vezetőképes folyadékok, mint pl. a sós víz, bizonyos vegyi anyagok, fehérítők vagy fehérítő tartalmú termékek, rövidzárlatot okozhatnak.
- Olyan helyen töltsze az akkumulátort, ahol a környezeti hőmérséklet 10 °C és 38 °C között van.
- Az akkumulátort 0 °C és 20 °C közötti hőmérsékleten tárolja.
- Az akkumulátort 0 °C és 40 °C közötti hőmérsékleten használja.

SZÁLLÍTÁS ÉS TÁROLÁS

- Kapcsolja ki és távolítsa el az akkumulátort. Ellenőrizze, hogy minden mozgó rész teljesen megállt. Tárolás vagy szállítás előtt hagyja lehűlni a terméket és az akkumulátorcsomagot.
- Minden idegen anyagotl tisztítsa meg a terméket. Ne tárolja vagy szállítsa a terméket beszerelt akkumulátorral. Vegye ki az akkumulátort, és rögzítse külön. Hűvös, száraz és jól szellőztetett, gyerekektől elzárt helyiségben tárolja. A terméket tartsa távol a korrodáló szerektől, például kerti vegyszerektől vagy a jégmentesítő sótól. Ne tárolja a terméket kültéren.
- A termék tárolása vagy szállítása előtt tegye fel a késvédő fedelet.
- Szállításkor rögzítse a terméket elmozdulás és leesés ellen, hogy elkerülje a sérüléseket és a termék sérülését.

LÍTIUM AKKUMULÁTOROK SZÁLLÍTÁSA

- Az akkumulátorokat a helyi és nemzeti előírásokkal és szabályokkal összhangban szállítsa.
- Az akkumulátorok külső fél általi szállításakor kövesse a csomagolásra és a címkézésre vonatkozó speciális előírásokat. Ügyeljen arra, hogy az akkumulátorok ne érhessenek más akkumulátorokhoz vagy vezető anyagokhoz szállítás közben; ehhez a szabadon maradt csatlakozókat védje szigetelő fedéllel vagy szalaggal. Ne szállítson repedt vagy szivárgó akkumulátorokat. További információért vegye fel a kapcsolatot a továbbítást végző céggel.

KARBANTARTÁS

- Csak a gyártó eredeti cserealkatrészeit, tartozékait és szereléseit használja. Ennek figyelmen kívül hagyása gyenge motorteljesítményt, esetleges sérülést és a jótállás elvesztését okozhatja.

- Szervizelés különös figyelmet és hozzáértést igényel, és csak szakképzett szerelő végezheti el. A terméket csak engedéllyel rendelkező szervizben javíttassa.
- A vágókések különösen élesek. A személyi sérülések elkerülése érdekében fokozott óvatossággal járjon el a késvédő tisztításakor, kenésekor, felszerelésekor vagy eltávolításakor.
- Kapcsolja ki és távolítsa el az akkumulátort. Hagyja mindkettőt lehűlni. A tisztítási és karbantartási műveletek megkezdése előtt győződjön meg arról, hogy minden mozgó alkatrész teljesen megállt.
- A használati útmutatóban leírt beállításokat és javításokat Ön is elvégezheti. Egyéb javítás tekintetében a terméket csak engedéllyel rendelkező szervizben javíttassa.
- Minden egyes használat után egy puha, száraz ruhával tisztítsa meg a termék házát és fogantyúit. A sérült alkatrészeket egy hivatalos szervizközpontban kell megjavíttatni vagy kicseréltetni.
- Egy kemény kefével minden használat után tisztítsa meg a kést a hulladékoktól, majd a késvédő felszerelése előtt kenjen rá rozsdadodásgátlót. Használjon rozsdagátló olajozó permetet az egyenletes eloszlathoz, és hogy csökkentse a kések megérintése miatti személyi sérülés kockázatát. A megfelelő peremezhető termékről kérdezze a helyi hivatalos szervizközpontot.
- Minden használat előtt és gyakori időközönként ellenőrizzen minden anyacsavart és csavart a megfelelő meghúzás szempontjából, hogy biztosítsa a termék biztonságos üzemi állapotát. A sérült alkatrészeket egy hivatalos szervizközpontban kell megjavíttatni vagy kicseréltetni.



A termék használatakor nem csúszó, biztonsági lábbelit viseljen.



A súlyos sérülések elkerülése végett ne érintse meg a vágókéseket.



A terméket mindig két kézzel tartva muködtesse.



Ne tegye ki esonek, és ne használja nedves környezetben.



Figyeljen a kivetett vagy repülő tárgyakra. A muködesi területtel tartson legalább 15 m-es távolságban minden nézelodot, különösen a gyerekeket és a háziállatokat.



A terméken végzett bármilyen munkálat előtt vegye ki az akkumulátort.



Garantált hangteljesítményszint

ISMERJE MEG A TERMÉKET

Lásd 113. oldal.

1. Furészártcsa védoeleme
2. Elülso fogantyú
3. Elülso kioldó
4. Kioldó
5. Hátsó fogantyú
6. Kés
7. HEDGESWEEP hulladéksepru
8. Késvédó
9. Kezeloi kézikönyv
10. Akkumulátor
11. Töltó

SZIMBÓLUMOK



Biztonsági figyelmeztetés



A termék használata előtt olvasson el és értsen meg minden utasítást. Tartsa be az összes figyelmeztetést és biztonsági utasítást.



Viseljen szem-, fülés fejdödöt.



Viseljen csúszásgátló bevonatú, nehéz igénybevételel tervezett védokesztyut.



Az akkumulátorok, valamint az elektromos és elektronikus berendezések hulladékait ne dobja a válogatatlan települési hulladékok közé. Az akkumulátorok, valamint az elektromos és elektronikus berendezések hulladékait elkülönítve gyűjtse. A hulladékká vált elemeket, akkumulátorokat és fényforrásokat vegye ki a berendezésből. Lépjen kapcsolatba a helyi hatósággal vagy kereskedővel az újrahasznosításra vonatkozó útmutatásért és a gyűjtőállomásokkal kapcsolatos információkért. A helyi szabályozások szerint a kereskedők kötelesek lehetnek ingyen visszavenni az akkumulátorok, illetve az elektromos és elektronikus berendezések hulladékait. A hozzájárulása az akkumulátorok, illetve az elektromos és elektronikus berendezések hulladékainak újrafelhasználásához és újrafeldolgozásához segít csökkenteni a nyersanyagok iránti keresletet. Különösen a lítiumot tartalmazó akkumulátorok, illetve az elektromos és elektronikus berendezések hulladékai értékes és újrafeldolgozható anyagokat tartalmaznak, amelyek káros hatással lehetnek a környezetre és az emberi egészségre, ha nem környezetbarát módon kezelik őket. A hulladékká vált berendezésből szükség esetén törölje a személyes adatokat.

RO TRADUCEREA INSTRUCȚIUNILOR ORIGINALE

Siguranța, performanța și fiabilitatea au constituit principalele noastre preocupări la proiectarea mașinii de tuns gard viu fără fir.

UTILIZARE PREVĂZUTĂ

Foarfeca de grădină fără fir de grădină este concepută pentru a tunde și a potrivi gardurile vii, tufele și altă vegetație asemănătoare.

Produsul este proiectat pentru uz casnic și domestic. Produsul este conceput numai pentru utilizare în spații deschise, uscate și în condiții de iluminare bună. Produsul nu a fost conceput pentru a tăia ramuri de gard viu, tufișuri și alte materiale vegetale similare cu diametrul mai mare decât capacitatea sa de tăiere.

Nu folosiți în alte scopuri.

AVERTISMENTE GENERALE PRIVIND SIGURANȚA PRODUSULUI

⚠️ AVERTISMENT! Citiți, cu atenție, toate avertismentele, instrucțiunile și specificațiile furnizate împreună cu aparatul, și consultați ilustrațiile. Nerespectarea instrucțiunilor de mai jos poate avea consecințe grave: electrocutări, incendii sau vătămări corporale grave.

Păstrați aceste avertismente și instrucțiuni, pentru a le putea consulta ulterior.

Termenul „mașină electrică” din avertizări se referă la unealta dvs. electrică alimentată la curent (cu fir) sau la baterie (fără fir).

SIGURANȚA LOCULUI DE MUNCĂ

- **Aveți grijă ca spațiul dumneavoastră de muncă să fie tot timpul curat și bine iluminat.** Zonele dezordonate și întunecate prezintă pericol de accidente.
- **Nu utilizați mașini electrice într-un mediu exploziv, de exemplu în apropiere de lichide, gaze sau prafuri inflamabile.** Scântele provenite de la mașinile electrice le pot incendia și provoca o explozie.
- **Țineți copiii, vizitatorii și animalele domestice la distanță când folosiți o mașină electrică.** Aceștia ar putea să vă distragă atenția și să pierdeți controlul mașinii.

SIGURANȚA ELECTRICĂ

- **Fișa mașinii electrice trebuie să fie adaptată la priză. Nu modificați niciodată fișa. Nu folosiți, niciodată, adaptoare cu mașinile electrice legate la pământ sau la masă. Evitați astfel riscurile de electrocutare.**
- **Evitați contactul cu suprafețe care sunt legate la pământ sau la masă (țevi, calorifere, mașini de gătit, frigider etc.).** Riscul de electrocutare crește, dacă o parte a corpului dumneavoastră este în contact cu o suprafață care este legată la pământ sau la masă.
- **Nu expuneți o mașină electrică la ploaie sau umiditate.** Riscul de electrocutare crește dacă apa intră în mașina electrică.
- **Păstrați cablul de alimentare în bună stare. Nu țineți niciodată mașina de cablul de alimentare și nu trageți de cablu ca să o scoateți din priză. Țineți**

cablul de alimentare departe de sursele de căldură, să nu intre în contact cu ulei, cu obiecte tăioase și cu elemente în mișcare. Riscul de electrocutare crește, în cazul în care cablul este deteriorat sau încurcat.

- **Când lucrați în aer liber, utilizați numai prelungitoare pentru exterior.** Evitați astfel riscurile de electrocutare.
- **Dacă nu puteți evita utilizarea mașinii dumneavoastră într-un mediu umed, conectați-o la o sursă de alimentare electrică protejată printr-un dispozitiv de protecție la curent diferențial rezidual (DDR).** Utilizarea unui dispozitiv de protecție la curent diferențial rezidual limitează riscurile de electrocutare.

SIGURANȚA PERSONALĂ

- **Fiți vigilenți, priviți cu atenție ceea ce faceți și utilizați mașinile electrice cu discernământ. Nu utilizați mașina electrică dacă sunteți obosit, ați băut alcool sau ați consumat droguri, sau dacă luați medicamente.** Nu uitați, niciodată, că o secundă de neatenție este suficientă pentru a vă răni foarte grav.
- **Utilizați dispozitive de protecție. Protejați-vă întotdeauna ochii.** În funcție de condiții, purtați și o mască antipraf, încălțăminte antiderapantă, o cască sau protecții auditive, pentru a evita riscurile de răni corporale grave.
- **Evitați orice pornire accidentală. Asigurați-vă că întrerupătorul este în poziția „oprit” înainte de a introduce mașina dumneavoastră în priză sau de a introduce bateria, precum și când prindeți sau transportați mașina.** Pentru a evita riscurile de accident, nu deplasați niciodată mașina ținând degetul pe trăgaci și nu o conectați la priză / nu introduceți bateria dacă întrerupătorul este în poziția „pornit”.
- **Scoateți cheile de strângere înainte de a porni mașina.** O cheie de strângere care a rămas prinsă de un element mobil al mașinii poate provoca răni corporale grave.
- **Aveți grijă să vă păstrați echilibrul în permanență. Țineți-vă bine pe picioare și nu întindeți brațul prea departe.** O poziție de lucru stabilă vă permite să controlați mai bine mașina în cazul unor evenimente neașteptate.
- **Purtați îmbrăcăminte adecvată. Nu purtați haine largi sau bijuterii. Feriți-vă părul și hainele de piesele în mișcare.** Hainele largi, bijuteriile și părul lung se pot agăța în elementele mobile.
- **Dacă mașina este livrată cu un sistem de aspirare a prafului, aveți grijă ca acesta să fie instalat și utilizat corect.** Evitați astfel riscurile de accidente.
- **Nu permiteți ca obișnuința rezultată din utilizarea frecventă a uneltei să vă afecteze concentrarea și să ignorați principiile de utilizare sigură a uneltei.** Neglijența în utilizare poate provoca accidente grave într-o fracțiune de secundă.

UTILIZAREA ȘI ÎNȚEȚINEREA MAȘINILOR ELECTRICE

- **Nu forțați mașina. Utilizați mașini adaptate lucrului pe care doriți să-l faceți.** Mașina dumneavoastră electrică va fi mai eficientă și mai sigură dacă o utilizați în regimul pentru care a fost concepută.

- **Nu utilizați o mașină electrică, dacă întrerupătorul nu permite pornirea și oprirea acesteia.** O mașină care nu poate fi pornită și oprită corect este periculoasă și trebuie să fie obligatoriu reparată.
- **Deconectați unealta de la priza de alimentare și/ sau decuplați acumulatorul (dacă este detașabil) înainte de a realiza orice fel de ajustări, schimbări de accesorii, precum și înainte de a depozita unelalta.** Veți reduce astfel riscurile de pornire involuntară a mașinii.
- **Păstrați mașinile electrice într-un loc unde nu sunt la îndemâna copiilor. Nu lăsați persoane care nu sunt familiarizate cu mașina sau care nu au luat la cunoștință aceste măsuri de siguranță să folosească mașina.** Mașinile electrice sunt periculoase în mâna persoanelor fără experiență.
- **Întrețineți uneltele și accesoriile. Controlați alinierea pieselor mobile. Verificați că nici o piesă nu este stricată. Controlați montarea și toate celelalte elemente care ar putea afecta funcționarea mașinii. Dacă există piese defecte, reparați mașina înainte de a o utiliza.** Numeroase accidente se produc din cauza unei întrețineri necorespunzătoare a mașinilor.
- **Păstrați-vă mașinile curate și bine ascuțite.** O sculă de tăiere bine ascuțită și curată riscă mai puțin să se blocheze și puteți astfel să-i păstrați mai bine controlul.
- **Utilizați mașina dumneavoastră electrică, accesoriile, vârfulurile etc. conform instrucțiunilor de utilizare, ținând seama de condițiile de utilizare și de aplicațiile dorite.** Pentru a evita situațiile periculoase, folosiți mașina electrică numai pentru lucrările pentru care a fost concepută.
- **Păstrați mânerul și suprafețele de contact curate, uscate și necontaminate cu ulei sau lubrifianți.** Mânerul și suprafețele de contact alunecoase nu permit manevrarea sigură și controlul uneltelor în situații neașteptate.

MĂSURI DE SIGURANȚĂ SPECIFICE MAȘINILOR ELECTRICE FĂRĂ FIR

- **Nu încărcați bateria mașinii decât cu încărcătorul recomandat de producător.** Un încărcător adaptat la un anumit tip de baterie poate declanșa un incendiu, dacă este utilizat cu un alt tip de baterie.
- **Pentru o mașină fără fir trebuie să utilizați numai un anumit tip de baterie.** Utilizarea altor tipuri de baterie poate provoca incendii.
- **Când bateria nu este utilizată, țineți-o la distanță de obiectele metalice cum ar fi agrafe de birou, monede, chei, șuruburi, cuie sau orice alt obiect susceptibil de a conecta contactele între ele.** Scurtcircuitarea bornelor bateriei poate provoca arsuri sau incendii.
- **Evitați orice contact cu lichidul din baterie în caz de scurgere a bateriei ca urmare a unei utilizări abuzive. În caz de contact cu lichidul, spălați din abundență zona atinsă cu apă curată. Dacă vă sunt atinși ochii, consultați, de asemenea, un medic.** Lichidul proiectat dintr-o baterie poate provoca iritații sau arsuri.
- **Nu utilizați acumulatori sau uneltele deteriorate sau modificate.** Acumulatorii deteriorați sau modificați nu au un comportament predictibil și prezintă riscuri ridicate: incendii, explozii sau vătămări corporale grave.
- **Nu expuneți acumulatorii și uneltele la foc sau temperaturi excesive.** Expunerea la foc sau temperaturi mai mari de 130 °C poate cauza explozii.
- **Respectați toate instrucțiunile de încărcare și nu încărcați acumulatorul sau uneltele în afara intervalului de temperaturi specificat în instrucțiuni.** Încărcarea necorespunzătoare sau la temperaturi din afara intervalului specificat poate deteriora acumulatorul și determina un risc ridicat de incendiu.

ÎNȚREȚINEREA

- **Orice reparație trebuie să fie efectuată de către un tehnician calificat, utilizând numai piese de schimb originale.** Veți putea astfel să vă utilizați mașina electrică în deplină siguranță.
- **Nu încercați să reparați acumulatorii deteriorați.** Repararea acumulatorilor deteriorați trebuie efectuată doar de producător sau de furnizori de service autorizați.

AVERTISMENTE DE SIGURANȚĂ PENTRU MAȘINA DE TUNS GARD VIU, FĂRĂ FIR

- A nu se utiliza mașina de tuns gard viu în condiții de vreme nefavorabilă, mai ales când există riscul de fulgerare. Aceasta scade riscul de a fi lovit de fulger.
- Țineți toate cablurile de curent departe de zona de tundere. Cablurile sau cordoanele de curent pot fi ascunse în gard viu sau în tufșuri și pot fi tăiate accidental cu lama.
- Purtați protecție pentru urechi. Un echipament adecvat de protecție va reduce riscul de pierdere a auzului.
- Țineți mașina de tuns gard viu numai de suprafețele aderente izolate, deoarece în timpul lucrului lama poate atinge cabluri ascunse. Lamele care intră în contact cu fire aflate „sub tensiune” pot face ca piesele metalice expuse ale mașinii de tuns gard viu să intre „sub tensiune”, ceea ce ar putea electrocuta operatorul.
- Feriți-vă părțile corpului de lamă. Nu îndepărtați materialul tăiat și nu țineți materialul ce urmează a fi tăiat, atunci când lamele sunt în mișcare. Lamele continuă să se rotească după oprirea motorului. Un moment de neatenție în timpul operării produsului poate rezulta în vătămare personală gravă.
- Atunci când îndepărtați materialul blocat sau întrețineți motounealta pentru tuns gard viu, asigurați-vă că toate întrerupătoarele de alimentare sunt oprite și acumulatorul este îndepărtat sau deconectat. Súlyos személyi sérülést okozhat, ha javítás vagy a beragadt anyag kitisztítása közben a szegélynyíró váratlanul elindul.
- Transportați mașina de tuns gard viu ținând-o de mâner, cu lama oprită și având grijă să nu acționați comutatorul de pornire/oprire. Transportul corect al mașinii de tuns gard viu va micșora riscul de pornire accidentală și rănire personală datorată lamelor.

- În timpul transportului sau al depozitării mașinii de tuns gard viu, protecția lamei trebuie întotdeauna aplicată. Mănuirea corectă a mașinii de tuns gard viu va micșora riscul de rănire personală datorată lamelor.

AVERTIZĂRI SUPLIMENTARE DE SIGURANȚĂ

- Nu încercați să tăiați crenguțe sau lăstari mai groși decât capacitatea de tăiere indicată în tabelul cu specificații sau care sunt evident mult prea groase/groși pentru lama tăietoare. Utilizați un ferăstrău manual sau un ferăstrău pentru curățarea crengilor pentru a tăia tulpinile groase.
- În timp ce operați produsul, țineți-l întotdeauna ferm cu ambele mâini de cele două mânere.
- Inspectați aparatul înainte de fiecare folosire. Verificați operarea corectă a tuturor comenzilor. Verificați dacă există șuruburi slăbite, scurgeri de combustibil etc. Asigurați-vă că toate dispozitivele de protecție și mânerurile sunt fixate corect și strâns. Înlocuiți toate piesele deteriorate înainte de utilizare. Verificați dacă există scurgeri la nivelul acumulatorului.
- Verificați tușurile și gardul viu să nu conțină obiecte străine, precum traverse de la gardul de fier sau cablaje ascunse.
- Produsul trebuie utilizat numai la nivel de sol și nu pe scări sau pe vreun alt suport instabil.
- Nu utilizați produsul în condiții de iluminare slabă. Folosiți produsul doar pe lumina zilei sau pe lumină artificială puternică. Operatorul necesită o panoramă clară a zonei de lucru pentru identificarea potențialelor pericole.
- Utilizarea dispozitivelor de protecție pentru urechi vă reduce capacitatea de a auzi semnalele de avertizare (strigăte sau alarme). Acordați atenție specială potențialelor pericole din jurul sau din interiorul zonei de lucru. Nu permiteți să vă fie distrasă atenția. Concentrați-vă întotdeauna asupra operației pe care o efectuați.
- Pentru a se reduce riscul de accidentare în urma contactului cu piesele în mișcare, opriți întotdeauna echipamentul atunci când nu îl utilizați și deconectați acumulatorul. Lăsați-le pe ambele să se răcească. Asigurați-vă că toate piesele mobile s-au oprit complet:
 - înainte de a ajusta poziția de lucru a cuțitelor
 - înainte de efectuarea reparațiilor
 - înainte de a îndepărta un obiect ce a determinat un blocaj
 - înainte de a verifica, curăța sau lucra asupra produsului
 - înainte de a schimba accesoriile
 - înainte de a lăsa produsul nesupravegheat
 - înainte de a verifica dacă există o defecțiune după lovirea unui obiect
 - înainte de executarea întreținerii
 - dacă produsul începe să vibreze anormal
- Nu forțați produsul prin mărăciș dens. Acest lucru poate cauza lipirea și încetinirea lamelor. În cazul în care lamele încetinesc, reduceți ritmul.
- Dacă produsul este scăpat, suferă un impact dur sau începe să vibreze anormal, opriți imediat produsul și inspectați dacă este deteriorat sau identificați cauza vibrației. Orice piesă deteriorată trebuie să fie reparată în mod corespunzător sau înlocuită de un service autorizat.
- Operați cu produsul numai în medii cu valori de temperatură cuprinse între 0 °C și 40 °C.

- Depozitați produsul într-un loc unde temperatura ambientală este între 0 °C și 40 °C.
- Pot fi cauzate sau agravate vătămarile de la folosirea prelungită a aparatului. Când utilizați unealta timp mai îndelungat, asigurați-vă că faceți pauze regulat.

AVERTISMENTE SUPLIMENTARE PRIVIND SIGURANȚA LA UTILIZAREA BATERIILOR

- Pentru a reduce riscurile de incendii, accidentare și deteriorare a produsului în urma unui scurtcircuit, nu scufundați niciodată produsul, acumulatorul sau încărcătorul în lichide și nici nu permiteți pătrunderea lichidelor în interiorul acestora. Lichidele corosive sau cu conductibilitate, precum apa sărată, anumite substanțe chimice și înălbitori sau produse ce conțin înălbitori, pot provoca un scurtcircuit.
- Încărcați acumulatorul într-un loc unde temperatura ambientală este între 10 °C și 38 °C.
- Depozitați acumulatorul într-un loc unde temperatura ambientală este între 0 °C și 20 °C.
- Utilizați acumulatorul într-un loc unde temperatura ambientală este între 0 °C și 40 °C.

TRANSPORTAREA ȘI DEPOZITAREA

- Opriti alimentarea și deconectați acumulatorul. Asigurați-vă că toate piesele mobile s-au oprit complet. Lăsați produsul și acumulatorul să se răcească înainte de depozitare sau transport.
- Curățați toate materialele străine din produs. Nu depozitați și nu transportați unealta cu acumulatorul montat. Scoateți acumulatorul și asigurați-l separat. Depozitați-l într-un loc răcoros, uscat și bine aerisit ce este inaccesibil copiilor. Păstrați produsul la distanță de agenți corozivi, precum substanțe chimice de grădină și săruri de dezghețare. Nu depozitați produsul în aer liber.
- Montați protecția lamei înainte de depozitarea uneltei sau în timpul transportului.
- Pentru transportare, fixați produsul să nu se miște sau cadă pentru a preveni vătămarea persoanelor sau deteriorarea produsului.

TRANSPORTAREA BATERIILOR DE LITIU

- Transportați bateriile în conformitate cu prevederile și reglementările locale și naționale.
- Urmați toate cerințele speciale privind împachetarea și etichetarea atunci când transportați baterii către un terț. Asigurați-vă că nicio baterie nu poate să intre în contact cu alte baterii sau materiale conductive în timpul transportului prin protejarea conectorilor expuși cu bandă, capace izolatoare neconductive. Nu transportați bateriile ce sunt crapeate sau care au scurgeri. Verificați cu firma transportatoare pentru recomandări ulterioare.

ÎNȚREȚINERE

- Folosiți doar piese de schimb, accesorii și atasamente originale ale producătorului. Neurmarea acestora poate cauza posibilități de vătămare, slaba funcționare și ar putea anula garanția.
- Service-ul necesită atenție și cunoștințe deosebite și trebuie îndeplinit doar de către un tehnician service calificat. Duceți produsul la reparații numai într-un centru service autorizat.

- Lamele cuțitelor sunt extrem de ascuțite. Pentru a preveni răniurile, acordați o atenție deosebită când executați operațiile de curățare, lubrifiere, montare sau scoatere a acoperitorii lamei.
- Opriti alimentarea și deconectați acumulatorul. Lăsați-le pe ambele să se răcească. Asigurați-vă că toate părțile mobile se află în stare completă de repaus înainte de a efectua o operație de curățare sau mentenanță.
- Puteți face reglaje și reparații descrise în acest manual de instrucțiuni. Pentru alte reparații, produsul trebuie prezentat numai unui centru de service autorizat.
- După fiecare folosire, curățați corpul și mânerul produsului cu o cârpă moale și uscată. Orice piesă deteriorată trebuie să fie reparată în mod corespunzător sau înlocuită de un service autorizat.
- După fiecare folosire, curățați resturile de pe lame/discuri cu o perie tare și apoi cu atenție aplicați un lubrifiant de prevenire a ruginii înainte a atașa protecția lamei/discului. Utilizați un spray lubrifiant care să prevină rugină și aplicați-l în mod uniform și reduceți riscul de rănire ca urmare a contactului cu lamele. Pentru informații privind spray-ul corespunzător, întrebați centrul dvs service local autorizat.
- Verificați înainte de fiecare utilizare și periodic ca toate șuruburile, piulițele și bolțurile filetate să fie strânse adecvat, pentru a asigura siguranța în utilizare a produsului. Orice piesă deteriorată trebuie să fie reparată în mod corespunzător sau înlocuită de un service autorizat.



Purtați încălțăminte de protecție anti-alunecare în timpul utilizării produsului.



Pentru prevenirea vătămării grave nu atingeți lamele de tăiere.



Atunci când operați produsul, încercați să-l țineți cu ambele mâini.



Nu expuneți produsul la ploaie sau umezeală.



Feriți-vă de obiecte proiectate sau în zbor. Mențineți o distanță de cel puțin 15 m între zona de lucru și persoanele prezente, mai ales copii și animale.



Decuplați acumulatorul înainte de a realiza orice fel de operație de întreținere sau reparație asupra produsului.



Nivel garantat al puterii acustice

CUNOAȘTEȚI-VĂ PRODUSUL

Vezi pagina 113.

1. Element de protecție lamă
2. Măner anterior
3. Trăgaciul frontal
4. Trăgaci
5. Mănerul principal
6. Lamă
7. Dispozitiv de aspirat reziduuri HEDGESWEEP
8. Capac lamă
9. Manualul de operare
10. Acumulator
11. Încarcator

SIMBOLURI



Avertizare de siguranță



Citiți și înțelegeți toate instrucțiunile înainte de a utiliza produsul. Respectați toate avertismentele și instrucțiunile de siguranță.



Purtați echipament de protecție pentru ochi, urechi și cap.



Purtați mănuși care nu alunecă, de protecție la sarcinile dificile.



A nu se arunca deșeurile de echipamente electronice și electrice și bateriile epuizate la gunoii menajer. Deșeurile formate din echipamente electrice și electronice și bateriile epuizate trebuie colectate separat. Sursele de iluminare, bateriile și acumulatorii epuizați trebuie scoase din aceste echipamente. Solicitați consiliere de la autoritatea dvs. locală sau de la comerciantul de unde ați achiziționat aspiratorul, în privința punctului de colectare. Conform reglementărilor naționale, vânzătorii cu amănuntul au obligația de a colecta bateriile epuizate, deșeurile de echipament electric și electronic, gratuit. Contribuția dvs. la reciclarea și reutilizarea bateriilor, a echipamentelor electrice și electronice ajută la reducerea cererii de materii prime. Bateriile epuizate, în special cele cu litiu, deșeurile formate din echipamente electrice și electronice conțin materiale reciclabile valoroase, care pot avea o influență negativă asupra mediului înconjurător și asupra sănătății umane, dacă nu sunt eliminate într-o manieră ecologică. Ștergeți datele personale din echipamentul deșeu, dacă este cazul.

LV TULKOTS NO ORIĢINĀLĀS INSTRUKCIJAS

Radot jūsu akumulatoru dzīvzoga šķēres, drošībai, veiktspējai un uzticamībai ir pievērsta vislielākā vērība.

PAREDŽĒTAIS LIETOJUMS

Akumulatoru dzīvzoga šķēres ir paredzēts krūmu, dzīvzogu un līdzīgu augu apgriešanai un līdzināšanai.

Šī ierīce ir paredzēta lietošanai mājās apstākļos. Produkts ir paredzēts izmantošanai tikai ārpus telpām, sausos apstākļos pie laba apgaismojuma. Produkts nav paredzēts tādu zaru, krūmu vai citu augu griešanai, kuru diametrs ir lielāks par produkta griešanas spēju.

Nelietojiet citiem mērķiem.

VISPĀRĪGIE PRODUKTA DROŠĪBAS BRĪDINĀJUMI

△ BRĪDINĀJUMS! Izlasiet visus drošības brīdinājumus, instrukcijas, specifikācijas un apskatiet attēlus šī elektroinstrumenta dokumentācijā. Visu tālāk uzskaitīto norāžu neievērošana var izraisīt elektrošoku, aizdegšanos un/vai smagus ievainojumus.

Saglabājiet visus brīdinājumus un instrukcijas uzziņām nākotnē.

Apzīmējums "elektroinstrumenti" brīdinājumos attiecas uz jūsu elektroinstrumentu, kas tiek darbināts no elektrotīkla (ar vadu) vai ar akumulatora (bezvadu) palīdzību.

DROŠĪBA DARBA ZONĀ

- **Darba zonai jābūt tīrai un labi apgaismotai.** Nekārtīgās vai tumšās vietās ir paaugstināts negadījumu risks.
- **Nelietojiet elektroinstrumentus eksplozīvā vidē, piemēram, uzliesmojošu šķidrumu, gāzu vai putekļu tuvumā.** Elektroinstrumenti rada dzirksteles, kas var aizdedzināt putekļus vai tvaikus.
- **Kad strādājat ar elektroinstrumentiem, bērniem un citiem vērotājiem jāstāv atstāts.** Ārēji traucēkļi var izraisīt kontroles zudumu pār instrumentu.

ELEKTRISKĀ DROŠĪBA

- **Elektroinstrumentu barošanas kontaktspraudņiem jāatbilst ligzdām.** Spraudni aizliegts iebkādā veidā modificēt. Ar zemtēmiem elektroinstrumentiem aizliegts izmantot spraudņu adapterus. Oriģinālie (nemodificēti) spraudņi un atbilstošas ligzdas mazinās elektriskā trieciena risku.
- **Ķermenis nedrīkst pieskarties zemētām virsmām, piemēram, caurulēm, radiatoriem, plītiem un ledusskapjiem.** Pastāv palielināts elektriskā trieciena risks, ja jūsu ķermenis ir zemētā.
- **Neļaujiet elektroinstrumentam atrasties lietū vai mitrumā.** Ūdens iekļūšana elektroinstrumentā palielinās elektriskā trieciena risku.
- **Izmantojiet barošanas vadu tikai mērķiem, kuriem tas paredzēts.** Nekādā gadījumā neizmantojiet barošanas vadu elektroinstrumenta nešanai, vilkšanai vai atvienošanai no elektrotīkla (velkot aiz tā). Turiet vadu atstāts no karstuma, eļļas, asām malām vai kustīgām daļām. Bojāti vai sapinušies vadi palielina elektriskā trieciena risku.

- **Strādājot ar elektroinstrumentu ārā, izmantojiet lietošanai ārā piemērotu pagarinātāju.** Atbilstoša pagarinātāja lietošana samazina elektriskā trieciena risku.
- **Ja nav iespējams izvairīties no elektroinstrumenta lietošanas mitrumā, barošanas sistēma jāaizsargā ar paliekošās strāvas ierīci.** Paliekošās strāvas ierīces izmantošana mazinā elektriskā trieciena risku.

INDIVIDUĀLĀ DROŠĪBA

- **Strādājot ar elektroinstrumentiem, esiet uzmanīgi, sekojiet savām darbībām un vadieties pēc veselā saprāta.** Neizmantojiet elektroinstrumentus, ja esat noguris vai, lietojot narkotikas, alkoholu vai medikamentus. Mirkļis neuzmanības, lietojot elektroinstrumentus, var izraisīt nopietnas traumas.
- **Izmantojiet individuālo aizsardzības aprīkojumu.** Obligāti valkājiet acu aizsarglīdzekļus. Aizsarglīdzekļi, piemēram, putekļu maskas, neslīdoši darba apavi, ķiveres vai dzirdes aizsarglīdzekļi, tos atbilstoši izmantojot, mazinās traumatisma risku.
- **Nepieļaujiet nejašu ieslēgšanu.** Pirms instrumenta pieslēgšanas barošanas avotam un/vai akumulatoram, tā pacelšanas vai nešanas slēdzim jābūt izslēgtā pozīcijā. Elektroinstrumentu nešana, pirkstam atrodoties uz slēdža, vai pieslēgšana barošanai, ja slēdzis ir ieslēgtā pozīcijā, rada traumatisma risku.
- **Pirms elektroinstrumentu ieslēgšanas izņemiet regulēšanas vai uzgriežņu atslēgas.** Uzgriežņu vai regulēšanas atslēga, kas atstāta piestiprināta pie elektroinstrumenta rotējošās daļas, var izraisīt traumas.
- **Nesniedzieties pārāk tālu.** Pastāvīgi saglabājiet pareizu kāju pozīciju un līdzsvaru. Tas ļauj drošāk kontrolēt elektroinstrumentu negaidītās situācijās.
- **Valkājiet atbilstošu apģērbu.** Nevalkājiet vaļīgu apģērbu vai rotaslietas. Turiet matu un apģērbu atstātu no kustīgām daļām. Vaļīgs apģērbs, rotaslietas vai gari mati var ieķerties kustīgajās daļās.
- **Ja var pievienot putekļu nosūcšanas un savākšanas ierīces, tās jāpievieno un pareizi jālieto.** Putekļu savākšana var mazināt ar putekļiem saistītos riskus.
- **Neļaujiet pieradumam, kas rodas no biežas instrumentu izmantošanas, likt jums kļūt bezrūpīgākam un neievērot instrumenta drošas lietošanas principus.** Bezrūpīga rīcība var izraisīt smagus ievainojumus dažos mirkļos.

ELEKTROINSTRUMENTU LIETOŠANA UN KOPŠANA

- **Nepārslogojiet elektroinstrumentu.** Izmantojiet savam uzdevumam atbilstošu elektroinstrumentu. Pareizais elektroinstrumenti paveiks darbu labāk un drošāk, ja to lieto ar tam paredzēto slodzi.
- **Neizmantojiet elektroinstrumentu, ja nedarbojas slēdzis.** Jebkurš elektroinstrumenti, kuru nav iespējams vadīt ar slēdzi, ir bīstams, un tam jāveic remonts.
- **Atvienojiet kontaktdakšu no sprieguma un/vai noņemiet akumulatoru, ja tas iespējams, no instrumenta, pirms veikt jebkādas regulēšanas darbus vai aprīkojuma nomaiņu, vai novietojot**

instrumentu glabāšanai. Šāda profilaktiskie drošības pasākumi mazina elektroinstrumenta nejaušas iedarbināšanas risku.

- **Glabājiet elektroinstrumentus bērniem nepieejamā vietā un neļaujiet tos lietot personām, kas nepārzina attiecīgo elektroinstrumentu vai šīs instrukcijas.** Neapmācītu lietotāju rokās elektroinstrumenti ir bīstami.
- **Kopiet elektroinstrumentus un aprikojumu.** Pārbaudiet kustīgo daļu noregulējumu vai ķeršanos, detaļu lūšanu un jebkuru citus traucēkļus, kas var ietekmēt elektroierīces lietošanu. Ja elektroinstrumenti ir bojāti, pirms lietošanas tam jāveic remonts. Daudzus negadījumus izraisa slikti kopti elektroinstrumenti.
- **Zāģēšanas instrumentiem jābūt asiem un tīriem.** Pareizi koptiem zāģēšanas instrumentiem ir asas griezošās virsmas, tādēļ tie mazāk ķeras, un tos ir vieglāk vadīt.
- **Izmantojiet elektroinstrumentus, piederumus un instrumentus asmeņus utt. atbilstoši šīm instrukcijām, ņemot vērā darba apstākļus un veicamos darbus.** Ja elektroinstrumenti tiek izmantoti darbiem, kuriem tie nav paredzēti, tas var izraisīt bīstamas situācijas.
- **Uzturiet rokturus un saķeres virsmas sausas, tīras un bez eļļām un smērvielām uz tām.** Slideni rokturi un saķeres virsmas neļauj droši satvert un vadīt instrumentu neparedzētās situācijās.

AKUMULATORA LIETOŠANA UN APRŪPE

- **Uzlādējiet tikai ar ražotāja norādītu lādētāju.** Lādētājs, kas paredzēts lietošanai ar vienu akumulatoru, var būt ugunsbīstams, ja to izmanto ar citu akumulatoru.
- **Izmantojiet elektroinstrumentus tikai ar tiem paredzētiem akumulatoriem.** Jebkuru citu akumulatoru lietošana rada traumatiska un ugunsbīstamības riskus.
- **Kamēr akumulators netiek lietots, turiet to atstatus no citiem metāla priekšmetiem, piemēram papīra skavām, monētām, atslēgām, naglām, skrūvēm vai citiem maziem metāla priekšmetiem, kas var radīt savienojumu starp spailēm.** Akumulatora spaili īsslēgums var izraisīt apdegumus vai aizdegšanos.
- **Pie nepareizas apiešanās no akumulatora var izkļūt šķidrums; izvairieties no saskares ar to. Ja saskare tomēr nejausi notiek, skalojiet skarto vietu ar ūdeni. Ja šķidrums nokļūst acīs, papildus nepieciešama arī medicīniskā palīdzība.** No akumulatora izkļuvušais šķidrums var izraisīt kairinājumu vai apdegumus.
- **Nelietojiet akumulatora bloku vai instrumentu, ja tas ir bojāts vai izmainīts.** Bojāti vai izmainīti akumulatori var neparedzami darboties, izraisot aizdegšanos, eksploziju vai ievainojumu risku.
- **Nepakļaujiet akumulatora bloku vai instrumentu atklātai liesmai vai pārmērīgi augstai temperatūrai.** Pakļaušana atklātai liesmai vai temperatūrai virs 130 °C var izraisīt eksploziju.
- **Ievērojiet visas norādes par lādēšanu un neveiciet akumulatoru bloka lādēšanu ārpus instrukcijās norādītā temperatūru diapazona.** Nepareiza lādēšana vai lādēšana temperatūrās, kas ir ārpus norādītā diapazona, var izraisīt akumulatora bojājumus un palielināt aizdegšanās risku.

APKOPE

- **Elektroinstrumentu kopšana drīkst veikt tikai kvalificēts remonta speciālists, kas izmanto tikai pareizās rezerves daļas.** Tādā veidā tiek nodrošināta elektroinstrumenta drošība.
- **Nekad neveiciet bojātu akumulatora bloku apkopi.** Akumulatoru bloku apkopi ir jāveic tikai ražotājam vai tā pilnvarotam servisa centram.

AKUMULATORU DZĪVZOGA ŠĶĒRU DROŠĪBAS BRĪDINĀJUMI

- Neizmantojiet krūmu trimmeri sliktos laika apstākļos, it īpaši, pastāvot zibens riskam. Tas samazina zibens spēriena saņemšanas risku.
- Turiet visus elektrības vadus un kabeļus atstatu no pļaušanas zonas. Elektrības vadi var būt aplēpti krūmos vai dzīvzogā, tāpēc tos ar asmeni var nejausi pārgriezt.
- Lietojiet dzirdes aizsargus. Atbilstoši aizsarglīdzekļi samazinās dzirdes zaudēšanas risku.
- Turiet krūmu trimmeri tikai aiz izolētajām satveršanas virsmām, jo motorzāģis var saskarties ar iekšējo vadu instalāciju. Asmeņu saskarsme ar zem sprieguma esošu vadu var radīt strāvas noplūdi uz krūmu trimmera metāla daļām un izraisīt lietotāja elektrotraumas.
- Turiet visas ķermeņa daļas nost no asmens. Nenoņemiet sagrieztus materiālus un neturiet griešanai paredzētus materiālus, kad asmeņi atrodas kustībā. Asmeņi turpina griezties pēc motora izslēgšanas. Neuzmanīga rīcība, darbojoties ar ierīci var radīt smagu personisku traumu.
- Iztīrot iestrēgušu materiālu vai veicot dzīvzoga trimera apkopi, nodrošiniet, lai visi jaudas slēdži ir izslēgti un akumulatoru bloks ir izņemts vai atvienots. Neparedzēta krūmgrieža iedarbināšana, veicot iestrēgušu materiāla izņemšanu vai apkopi, var izraisīt smagus ievainojumus.
- Nesiet krūmu trimmeri aiz roktura, ar stāvošu asmeni un ievērojiet piesardzību, lai nenospiestu ieslēgšanas slēdzi. Pareiza krūmu trimmera nešana samazinās nejaušas ieslēgšanās un tās izraisīto ievainojumu no asmeņiem risku.
- Transportējot vai glabājot krūmu trimmeri, vienmēr izmantojiet asmens uzmavu. Pareiza apiešanās ar krūmu trimmeri samazinās ievainojumu no asmeņiem risku.

PAPILDU DROŠĪBAS BRĪDINĀJUMI

- Nemēģiniet zāgēt zarus, kas resnāki par griešanas spēju, kas norādīta specifikāciju tabulā, vai ir acīmredzami pārāk resni, lai tos ievadītu griešanas asmenī. Izmantojiet neelektrisko rokas zāģi vai dārznieka zāģīti, lai apgrieztu lielus stublājus.
- Rīkojoties ar produktu, vienmēr turiet to stingri ar abām rokām pie abiem rokturiem.
- Pirms katras lietošanas reizes pārbaudiet ierīci. Pārbaudiet, vai visas vadīšanas ierīces darbojas pareizi. Pārbaudiet, vai nav vaļiņu stīprinājumu, degvielas sūču utt. Pārbaudiet, vai visi aizsargi un rokturi ir pareizi un stingri piestiprināti. Pirms lietošanas nomainiet visas bojātās detaļas. Pārbaudiet sūces akumulatora komplektā.

EN

FR

DE

ES

IT

NL

PT

DA

SV

FI

NO

RU

PL

CS

HU

RO

LV

LT

ET

HR

SL

SK

BG

UK

TR

EL

- Pārbaudiet dzīvžogus un krūmus, vai tajos nav svešķermeņu, piemēram stieplu žogi vai apslēpti elektrības vadi.
 - Produktu var izmantot tikai no zemes līmeņa, neizmantojot trepes vai jebkādas citus nestabilus paliktnus.
 - Nelietojiet produktu vāja apgaismojuma apstākļos. Izmantojiet precīti tikai dienas gaismā vai labā makslīgā apgaismojumā. Lietotājam jābūt pilnai redzībai pār darba zonu, lai spētu identificēt iespējamus draudus.
 - Dzirdes aizsargu lietošana mazinās jūsu spēju dzirdēt brīdinājumus (blāvienus vai skaņas signālus). Īpašu uzmanību pievēršiet potenciālajiem riskiem jums apkārt un darba vietā. Neļaujiet novērst uzmanību, vienmēr koncentrējieties uz uzdevumu.
 - Lai samazinātu tadu ievainojumu risku, kas saistīti ar saskarsmi ar kustīgam daļam, vienmēr izsledziet produktu un nonemiet akumulatoru bloku. Ļaujiet abiem atdzist. Pārliecinieties, ka visas kustīgās daļas ir pilnīgi apstājušās:
 - pirms griešanas pielāgojuma darba stāvokļa regulēšanas
 - pirms sākt apkopi
 - pirms nosprostojumu tīrīšanas
 - pirms iekārtas pārbaudes, tīrīšanas vai labošanas
 - pirms papildaprīkojuma nomaiņas
 - pirms atstāt izstrādājumu bez uzraudzības
 - pirms pārliecināties, vai pēc atsītiens pret priekšmetu nav bojājumu
 - pirms apkopes veikšanas
 - ja iekārta sāk neparasti vibrēt
 - Nevirziet izstrādājumu ar spēku caur bieziem krūmiem. Tas var izraisīt asmeņu darbības palēnināšanos un iesprūšanu. Ja asmeņu kustības ātrums samazinās, palēniniet gaitu.
 - Ja ierīce tiek nomesta, tā ir saskarusies ar smagu triecienu vai tā sak nevaldami vibrot, nekavejoties izsledziet ierīci un centieties atrast bojājumu vai arī celoni šādai vibrācijai. Jebkura bojāta detaļa jānodod remontam vai nomaiņai pilnvarotā apkopes centrā.
 - Izmantojiet produktu tikai apkartejas vides temperatūras diapazonā no 0 °C un 40 °C.
 - Glabājiet produktu vieta, kura apkartejas vides temperatūra ir starp 0 °C un 40 °C.
 - Ilgstoša preces lietošana var radīt ievainojumus vai pasliktināt jau esošos. Izmantojot produktu ilgāku laika posmu, nodrošiniet, ka tiek ņemti regulāri pārtraukumi.
- Veiciet akumulatora bloka nomaiņu vietā, kur temperatūra ir starp 10 °C un 38 °C.
 - Glabājiet akumulatoru bloku vieta, kura apkartejas vides temperatūra ir starp 0 °C un 20 °C.
 - Izmantojiet akumulatoru bloku vieta, kura apkartejas vides temperatūra ir starp 0 °C un 40 °C.

TRANSPORTĒŠANA UN UZGLABĀŠANA

- Izsledziet un nonemiet akumulatora bloku. Pārliecinieties, ka visas kustīgās daļas ir pilnīgi apstājušās. Pirms uzglabāšanas ļaujiet produktam un akumulatoram atdzist.
- Notīriet visus svešķermeņus no izstrādājuma. Neglabājiet vai nepārvadājiet produktu, ja tam ievietotas baterijas. Noņemiet akumulatora bloku un nolieciet to drošā vietā. Uzglabājiet to vēsā, sausā un labi vēdinātā vietā, kurai nevar piekļūt bērni. Sargiet izstrādājumu no korozīvām vielām, piemēram, dārza ķīmikālijām un pretapledošanas sāls. Neglabājiet produktu ārpus telpām.
- Uzlieciet asmens uzliku pirms novietot produktu glabāšanai vai pirms transportēšanas.
- Transportējot, nostipriniet precī, lai tā nekustētos vai nenokristu, lai novērstu personu savainojumus vai bojājumus precei.

LITĪJA BATERIJU TRANSPORTĒŠANA

- Transportējiet baterijas saskaņā ar vietējiem un valsts noteikumiem un regulām.
- Ievērojiet visas īpašās prasības saistībā ar iepakojšanu un marķēšanu, transportējot trešās puses baterijas. Nodrošiniet, ka baterijas transportā nevar nonākt saskarē ar citām baterijām vai vadītspējīgiem materiāliem, aizsargājot atklātos savienotājus ar nevadošiem izolācijas vāciņiem vai lentēm. Netransportējiet iekļautās baterijas vai baterijas, kurām ir noplūde. Lūdziet padomu kravu pārvadāšanas uzņēmumam.

APKOPE

- Lietojiet tikai oriģinālās ražotāja rezerves daļas, piederumus un uzgaļus. Pretējā gadījumā var tikt radīti ievainojumi un parādīts slikts sniegums, kā arī var tikt anulēta garantija.
- Aptarnavimā atlikti būtina itin atidzīai, todēl rekomenduoame, kad tehninē apziūŗā vykdytū kvalifikuotas specialistas. Veiciet apkalpošanu tikai pilnvarotā servisa centrā.
- Cērtōšie asmeņi ir ļoti asi. Lai izvairītos no ievainojumiem, ievērojiet īpašu piesardzību tīrot, eļļojot, uzliekot vai noņemot asmens uzstavu.
- Izsledziet un nonemiet akumulatora bloku. Ļaujiet abiem atdzist. Pārliecinieties, ka visas kustīgās daļas ir pilnīgi apstājušās, pirms veikt jebkādas tīrīšanas vai apkopes darbus.
- Daudzus šaja lietotaja rokasgramata aprakstītos regulēšanas un remontdarbus varat veikt pats. Citiem produkta remontiem nogādājiet produktu apkopei tikai pilnvarotā servisa centrā.

PAPILDU AKUMULATORU BLOKA DROŠĪBAS BRĪDINĀJUMI

- Lai samazinātu aizdegšanās, ievainojumu un produkta bojājumu risku, kas radies īssavienojuma rezultātā, nekad neiemērciet produktu, akumulatoru bloku vai lādētāju šķidrumā vai nepieļaujiet šķidruma iekļūšanu tajos. Koroziju izraisoši vai vadītspējīgi šķidrumi, piemēram, sālsūdens, noteiktas ķīmikālijas, balinātāji vai produkti, kas satur balinātājus, var izraisīt īssavienojumu.

LT ORIGINALIŲ INSTRUKCIJŲ VERTIMAS

Kuriant šią akumuliatorinę krūmaprovę didžiausias dėmesys buvo skiriamas saugumui, našumui ir patikimumui.

NAUDOJIMO PASKIRTIS

Ši akumuliatorinė krūmaprovė skirta gyvatvorėms, krūmokšniams ir panašiai augmenijai genėti.

Gaminys skirtas namų savininkams arba buitiniams naudojimui. Šis įrenginys skirtas naudoti tik lauke, sausomis ir pakankamo apšvietimo sąlygomis. Įrenginys nėra skirtas gyvatvorėms, krūmynams ir panašioms augalams, kurie yra storesni, nei juos gali įveikti šis įrenginys, genėti.

Nenaudokite kitais tikslais.

BENDRIEJI GAMINIO SAUGOS ĮSPĖJIMAI

⚠ ĮSPĖJIMAS! Perskaitykite visus saugos įspėjimus, visas instrukcijas, paveikslėlius ir techninius reikalavimus, pateikiamus su šiuo elektriniu įrankiu. Jei nesilaikysite visų toliau pateiktų instrukcijų, kyla elektros smūgio, gaisro ir (arba) sunkaus sužeidimo pavojus.

Visus įspėjimus ir instrukcijas saugokite, nes jų gali prireikti ateityje.

Įspėjimuose naudojama sąvoka „elektros įrankis“ reiškia prie elektros tinklo jungiamą (laidinį) elektrinį įrankį arba akumuliatoriumi maitinamą (belaidį) įrenginį.

DARBO VIETOS SAUGA

- Darbo vieta turi būti švari ir gerai apšviesta. Nelaimingi atsitikimai įvyksta netvarkingose ar tamsiose vietose.
- Neekspluatuokite elektros įrankio sprogoje aplinkoje, pavyzdžiui, jei yra degių skysčių, dujų arba dulkių. Dirbant su elektros įrankiu, susidaro kibirkštys, kurios gali uždegti dulkes arba dūmus.
- Dirbdami su elektros įrankiu, arti neprileisite vaikų ir pašalinių asmenų. Dėl išsiblaškymo, galite prarasti kontrolę.

ELEKTROS SAUGA

- Elektros įrankių kištukai turi atitikti maitinimo lizdą. Niekada nekeiskite kištuko konstrukcijos. Nenaudokite jokių adapterio kištukų su žemintais elektros įrankiais. Nemaifikuoti kištukai ir tinkantys maitinimo lizdai sumažina elektros smūgio grėsmę.
- Nesilieskite prie žemintų paviršių, pavyzdžiui, vamzdžių, radiatorių, viryklių ir šaldytuvų. Žeminius savo kūną, atsiranda žymiai didesnė elektros smūgio grėsmė.
- Nenaudokite elektros įrankių lietuje ar drėgmėje. Dėl vandens, patekusio į elektros įrankį, padidėja elektros smūgio grėsmė.
- Tinkamai elkitės su laidu. Neneškite, nevilkite elektros įrankio ir netraukite kištuko iš maitinimo lizdo už laido. Saugokite laidą nuo karščio, tepalo, aštrių kraštų ir judančių detalių. Dėl pažeisto arba supainioto laido padidėja elektros smūgio grėsmė.
- Eksploatuodami elektros įrankį lauke, naudokite ilginamąjį laidą, tinkantį dirbti lauke. Naudojant laidą, tinkantį dirbti lauke, sumažėja elektros smūgio grėsmė.

- Jei su elektros įrankiu reikia dirbti drėgnoje vietoje, naudokite maitinimą, apsaugotą liekamosios srovės įrenginiu (RCD). Naudojant RCD, sumažėja elektros smūgio grėsmė.

ASMENINĖ SAUGA

- Būkite budrus, žiūrėkite, ką darote, ir galvokite, dirbdami su elektros įrankiu. Nedirbkite su elektros įrankiu, jei esate pavargę, apsvaigę nuo narkotinių medžiagų, alkoholio arba vaistų. Dėl neatidumo, dirbant su elektros įrankiais, galima rimtai susižaloti.
- Naudokite individualias darbo saugos priemones. Visada dėvėkite akių apsaugos priemones. Darbo saugos priemonės, pavyzdžiui, priešdulkinė puskaukė, neslystanti apsauginė avalynė, šalmas arba klausos apsaugos priemonės, sumažins riziką susižaloti.
- Būkite atsargūs, kad įrankis atsitiktinai neįsijungtų. Prieš įjungdami į maitinimo šaltinį ir (arba) įdėdami baterijos paketą, pakeldami arba nešdami įrankį, patikrinkite, ar jungiklis yra išjungtas. Jei įrankį nešite uždėję pirštą ant jungiklio arba jei tuo metu įjungsitė maitinimą, gali nutikti nelaimingų atsitikimų.
- Prieš įjungdami elektros įrankį, ištraukite bet kokį reguliavimo raktą arba veržliaraktį. Veržliaraktis arba raktas, paliktas pritvirtintas prie judančios elektros įrankio detalės, gali sužeisti.
- Nepersitempkite. Visada stovėkite ant tinkamo pagrindo, kad išlaikytumėte pusiausvyrą. Taip netikėtose situacijose geriau suvaldysite elektros įrankį.
- Tinkamai apsirenkite. Nesidėkite laisvų drabužių ar papuošalų. Saugokite plaukus ir drabužius nuo judančių dalių. Laisvus drabužius, papuošalus ar ilgus plaukus gali prispausti judančios dalys.
- Jei kartu tiekiami prietaisai, skirti dulkems ištraukti ir joms surinkti, patikrinkite, ar jos prijungtos, ir tinkamai naudokite. Surenkant dulkes, gali sumažėti su dulkeimis susijusių pavojų.
- Kai prietaiso naudojimas tampa rutina, kyla pavojus užmiršti laikytis saugos taisyklių. Nerūpestingas darbas gali lemti sunkius sužeidimus vos per sekundės dalį.

ELEKTROS ĮRANKIO NAUDOJIMAS IR PRIEŽIŪRA

- Dirbdami su elektros įrankiu, nenaudokite jėgos. Savo darbams naudokite tinkamą elektros įrankį. Su tinkamu elektros įrankiu darbą atliksite geriau ir saugesniu greičiu, kuriam jis buvo suprojektuotas.
- Nenaudokite elektros įrankio, jei jungiklis neįsijungia ir neišsijungia. Bet koks elektros įrankis, kurio negalima reguliuoti jungikliu, yra pavojingas ir turi būti remontuojamas.
- Atjunkite kištuką nuo maitinimo šaltinio ir (arba) išimkite akumuliatoriaus bloką (jei galima) iš variklinio prietaiso prieš atlikdami bet kokius reguliavimo darbus, keisdami priedus arba padėdami prietaisus į laikymo vietą. Tokios prevencinės saugos priemonės apsaugo, kad elektros įrankis atsitiktinai neįsijungtų.
- Nenaudojamus elektros įrankius laikykite vaikams nepasiekiamose vietoje ir neleiskite jų naudoti asmenims, kurie nėra susipažinę su jais ar perskaite

šias instrukcijas. Elektros įrankiai nekvalifikuotų naudotojų rankose yra pavojingi.

- **Tinkamai prižiūrėkite prietaisus ir jų priedus.** Tikrinkite, ar tinkama judančių dalių lygiuotė ir ar nėra sukibusios jos, ar nėra jos įtrūkusios ir ar nėra kitų sąlygų, kurios trukdytų tinkamai eksploatuoti elektros įrankį. Jei elektros įrankis sulūžo, prieš jį pradėdami vėl eksploatuoti, suremontuokite. Daug nelaimingų atsitikimų nutinka dėl netinkamai prižiūrimų elektros prietaisų.
- **Pjovimo įrankiai turi būti aštrūs ir švarūs.** Tinkamai prižiūrėti ir aštrūs pjovimo įrankiai rečiau įstringa ir yra lengviau valdomi.
- **Elektros įrankį, priedus ir detales naudokite pagal šias instrukcijas, atsižvelgdami į darbo sąlygas bei atliekamą patį darbą.** Naudojant elektros prietaisą ne pagal naudojimo paskirtį, gali susidaryti pavojingos situacijos.
- **Užtikrinkite, kad rankenos ir kiti paviršiai, už kurių laikote prietaisą, būtų sausi, švarūs ir neištepti alvyka ar tepalu.** Slidžios rankenos ir laikymo paviršiai trukdo saugiai dirbti prietaisu ir jį kontroliuoti netikėtose situacijose.

BATERINIO ĮRANKIO NAUDOJIMAS IR PRIEŽIŪRA

- **Pakartotinai kraukite tik su gamintojo nurodytu įkrovikliu.** Vieno tipo baterijų paketui tinkantis įkroviklis gali kelti gaisro grėsmę kitokiam baterijų paketui.
- **Elektros įrankius naudokite tik su jiems specialiai suprojektuotais baterijų paketais.** Naudojant kitokius baterijų paketus, galima susižaloti arba gali užsidegti.
- **Kai baterijos paketas nenaudojamas, jo negalima laikyti šalia kitų metalinių objektų, pavyzdžiui, sąvaržėlių, monetų, raktų, vinių, varžtų ar kitų mažų metalinių daiktų, kurie vieną išvadą gali sujungti su kitu.** Sutrumpinus vieną baterijos išvadą su kitu, galima nusideginti arba gali užsidegti.
- **Netinkamomis sąlygomis iš baterijos gali ištekėti skystis; nelieskite jo.** Jei netyčia prisiliečiate, nuplaukite vandeniu. Patekus į akis, papildomai kreipkitės į gydytoją. Iš baterijos ištekėjęs skystis gali sudirginti arba nudeginti.
- **Nenaudokite sugadinto arba modifikuoto akumulatoriaus bloko ar prietaiso.** Sugadinti arba modifikuoti akumulatoriai gali veikti kitaip nei tikėtis ir užsidegti, sprogti arba sužeisti.
- **Saugokite akumulatoriaus bloką ir prietaisą nuo ugnies ir labai aukštos temperatūros.** Ugnies arba aukštesnės nei 130 °C temperatūros poveikis gali sukelti sproginimą.
- **Laikykitės visų įkrovimo instrukcijų ir įkraukite akumulatoriaus bloką arba prietaisą tik instrukcijose nurodytame temperatūros diapazone.** Įkraunant netinkamai arba kitokioje nei nurodyta temperatūroje kyla pavojus sugadinti akumuliatorių ir sukelti gaisrą.

REMONTAS

- **Jūsų elektros įrankį turi remontuoti kvalifikuotas remontininkas, naudojantis tik identiškas atsargines detales.** Taip užtikrinsite elektros įrankio saugą.

- **Draudžiama atlikti sugadintų akumulatoriaus bloką priežiūros darbus.** Tokius darbus leidžiama atlikti tik gamintojui arba įgaliotiesiems techninės priežiūros paslaugų teikėjams.

AKUMULIATORINĖS KRŪMAPJOVĖS NAUDOJIMO SAUGOS TAISYKLĖS

- Nesinaudokite krūmapjovje prastomis oro sąlygomis, ypač, jei gali trenkti žaibas. Taip sumažinamas pavojus būti nutrenktiems žaibo.
- Maitinimo laidus ir kabelius nutieskite atokiai nuo pjovimo zonos. Maitinimo laidai ar kabeliai gali pasislėpti gyvatvorėse ar krūmuose, ir įrenginio peilis juos gali būti netyčia nupjauti.
- Dėvėkite ausų apsaugos priemones. Tinkamos apsaugos priemonės sumažins klausos praradimo pavojų.
- Krūmapjovę laikykite tik už izoliuotų paviršių, nes peiliais galite užkliudyti nematomus laidus. Peiliams prisilietus prie „gyvo“ laido, neizoliuotos metalinės krūmapjovės dalys gali sukelti elektros smūgį ir nutrenkti naudotoją.
- Visos kūno dalys privalo būti atokiai nuo peilio. Kai geležtės juda, pjaunamos medienos ar tos medienos, kurią laikote ir ketinate pjauti, nebandykite pašalinti. Išjungus variklį, peiliai dar kurį laiką sukasi. Naudojant krūmapjovę, dėl menkausio neatidumo, galima sunkiai susižeisti.
- Valydami įstrigusią medžiagą arba atlikdami gyvatvorių žirklių priežiūrą, įsitinkinkite, kad visi maitinimo jungikliai išjungti, o akumulatorius išimtas arba atjungtas. Netyčia įjungus krūmapjovę, valant ją užkimšusius nešvarumus arba vykdat techninės priežiūros darbus, galima sunkiai susižaloti.
- Krūmapjovę neškite už rankenos, kai jos peilis yra sustojęs, ir būkite atsargūs, kad neįjungtumėte jokio įjungimo jungiklio. Tinkamai nešant krūmapjovę, sumažėja pavojus netyčia ją įjungti ir susižaloti peiliais.
- Transportuodami ar sandėliuodami krūmapjovje, visada uždekite peiliu gaubta. Tinkamai naudojantis krūmapjovje sumažėja pavojus susižaloti peiliais.

PAPILDOMI SAUGOS ĮSPĖJIMAI

- Nebandykite pjauti storesnių stiebų ar šakų, nei nurodyta specifikacijų lentelėje, arba akivaizdžiai per storų stiebų ar šakų, kad pjovimo peilis galėtų juos nupjauti. Norėdami nupjauti storesnius stiebus ir šakas, naudokite rankinį arba genėjimo pjūklą.
- Naudojant gaminį, jį reikia laikyti tvirtai abiem rankomis laikant už abiejų rankenų.
- Patikrinkite įrenginį prieš kiekvieną naudojimą. Patikrinkite, ar visi valdikliai tinkamai veikia. Patikrinkite, ar nėra atspalaidavusių tvirtinamųjų elementų, ar neprateka kuras ir pan. Patikrinkite, ar visos apsaugos ir rankenos tinkamai ir patikimai pritvirtintos. Prieš naudodami prietaisą pakeiskite visas pažeistas dalis. Patikrinkite, ar nėra ištekėjimo iš akumulatoriaus.
- Patikrinkite, ar gyvatvorėse ir krūmuose nėra pašalinių daiktų, pavyzdžiui, vielinį tvorų ir paslėptų laidų.
- Įrenginiu privaloma naudotis tik stovint ant žemės, o ne ant kopėčių ar kokio nors nestabilaus paviršiaus.

- Nenaudokite šio gaminio prasto apšvietimo sąlygomis. Gaminį galima naudoti tik dienos šviesoje arba esant geram dirbtiniam apšvietimui. Kad pastebėtų galimus pavojus, prietaisu dirbančiam asmeniui turi būti sudarytos gero matomumo sąlygos.
- Klausos apsaugos priemonių naudojimas sumažina įspėjamųjų garsų (ryksmų arba pavojaus signalų) girdėjimo galimybę. Ypatinę dėmesį reikia atkreipti į potencialius pavojus aplink darbo sritį ir joje. Dirbkite susikaupę, visą dėmesį skirkite atliekamam darbiui.
- Noredami išvengti pavojaus susižaloti prisilietus prie judanciu dalii, visada išjunkite įrenginį ir išimkite akumuliatorių. Palaukite, kol abu atvės. Patikrinkite, ar visos judančios dalys visiškai nustojo sukstis:
 - prieš keisdami pjovimo įtaisų darbo padėtį
 - prieš atlikdami techninę priežiūrą
 - prieš pašalindami užsikimšimą
 - prieš tikrindami ar valydami prietaisą arba prieš pradėdami juo pjauti žolę
 - prieš keisdami priedus
 - prieš palikdami įrenginį be priežiūros
 - prieš tikrinant, ar kliudžius kokį nors objektą nebuvo padaryta žala
 - prieš atliekant techninę priežiūrą
 - prietaisui pradėjus neįprastai vibruoti
- Nestumkite gaminio jėga, norėdami nupjauti tankius krūmus. Dėl to geležtė gali užsikirsti ir pradėti lėčiau dirbti. Geležtėms sulėtėjus sumažinkite darbo tempą.
- Numetus krumopjove, jai stipriai susitrenkus ar pradejus neįprastai vibruoti, ja reikia nedelsiant sustabdyti ir patikrinti, ar nepakenkta arba nustatyti vibravimo priežastis. Bet kurią apgadintą detalę leidžiama remontuoti arba keisti tik autorizuotame aptarnavimo centre.
- Naudokite įrenginį tik esant nuo 0 °C iki 40 °C temperatūrai.
- Įrenginį laikykite ten, kur aplinkos temperatūra yra nuo 0 °C iki 40 °C.
- Ilgiau naudojant, įrankis kelia sužeidimų pavojų ir apsunkina darbą. Naudodamiesi įrenginiu ilgesnį laiką, būtinai darykite pertraukas.

PAPILDOMI AKUMULIATORIAUS SAUGOS ĮSPĖJIMAI

- Siekiant sumažinti gaisro, susižeidimų ir įrangos pažeidimų pavojus, galinčius kilti dėl trumpojo elektros jungimo, pasirūpinkite, kad įrankis, akumuliatorius arba įkroviklis niekada nebūtų panardintas į jokią skystį, o taip pat, kad skystis nepatektų į jų vidų. Koroziją sukeliantys arba laidūs skysčiai, pvz., sūrus vanduo, tam tikri chemikalai ir balikliai arba produktai, kurių sudėtyje yra baliklių, gali sukelti trumpąjį jungimą.
- Akumuliatorių kraukite nuo 10 °C iki 38 °C temperatūros aplinkoje.
- Akumuliatorių laikykite nuo 0 °C iki 20 °C temperatūros aplinkoje.
- Akumuliatorių naudokite nuo 0 °C iki 40 °C temperatūros aplinkoje.

GABENIMAS IR LAIKYMAS

- Išjunkite gaminį ir išimkite akumuliatorių. Patikrinkite, ar visos judančios dalys visiškai nustojo sukstis. Palaukite, kol gaminys ir baterija atvės, prieš padėdami saugoti ar perveždami.
- Nuo įrankio nuvalykite visas pašalines medžiagas. Nelaikykite ir negabenkite gaminio su įdėtomis baterijomis. Išimkite akumuliatorių ir padėkite jį atskirai į saugią vietą. Laikykite vėsioje, sausoje, gerai vėdinamoje ir vaikams nepasiekiamoje vietoje. Laikykite gaminį toliau nuo korozinių medžiagų, pvz. sodo chemikalų ir tirpdančių druskų. Nelaikykite įrenginio lauke.
- Prieš padėdami gaminį į saugojimo vietą arba prieš jį transportuodami, uždėkite geležtės saugiklį.
- Ruošiant gabenimui, gaminį reikia įtvirtinti, kad nejudėtų arba nenukristų, taip apsaugant žmones nuo sužeidimų ir gaminį nuo apgadintimų.

LIČIO BATERIJŲ TRANSPORTAVIMAS

- Akumuliatorių gabenkite pagal vietinius ir šalies reikalavimus bei nuostatas.
- Akumuliatorius gabenant trečiajai šaliai būtina laikytis visų specialių reikalavimų, nurodytų pakuotėse ir etiketėse. Užtikrinkite, kad gabavimo metu nei vienas akumuliatorius nesiliestų su kitais akumuliatoriais arba laidžiosiomis medžiagomis – apsauginius jungiamuosius elementus uždenkite izoliacinėmis nelaidžiomis movomis arba juosta. Iškilusiu ir tekanciu akumuliatoriumi negabenkite. Dėl tolesnių patarimų kreipkitės į transporto įmonę.

PRIEŽIŪRA

- Keitimui naudokite tik originalias gamintojo atsargines dalis. Neoriginalios dalys gali būti sužeidimų ir įrenginio blogo veikimo priežastis, ir dėl to gali būti anuluotas garantinis pažymėjimas.
- Aptarnavimą atlikti būtina itin atidžiai, todėl rekomenduojame, kad techninę apžiūrą vykdytų kvalifikuotas specialistas. Įrenginį techninei priežiūrai pristatykite tik į įgaliotąjį techninės priežiūros centrą.
- Pjovimo įtaiso geležtės ypatinai aštrios. Norėdami išvengti susižalojimo, būkite ypač atsargūs įrenginį valydami, tepdami, montuodami ar nuimdami jo peilių gaubtą.
- Išjunkite gaminį ir išimkite akumuliatorių. Palaukite, kol abu atvės. Prieš valydami arba atlikdami techninę priežiūrą pasirūpinkite, kad visos judančios dalys visiškai sustotų.
- Prietaisa galite reguliuti ir remontuoti, kaip aprašyta šiame naudotojo vadove. Įrenginį techninei priežiūrai ir remontui pristatykite tik į įgaliotąjį techninės priežiūros centrą.
- Po kiekvieno panaudojimo nuvalykite įtaiso korpusą ir rankenas minkšta sausa servetėle. Bet kurią apgadintą detalę leidžiama remontuoti arba keisti tik autorizuotame aptarnavimo centre.
- Po kiekvieno panaudojimo nuvalykite sėnašas nuo geležčių standžių šepetiu, po to rupestingai ištepkite nuo rūdijimo apsauganciu tepalu ir tik tada uždėkite geležčių apsauginį įrenginį. Naudokite

rekomenduojamą purškiamą antikorozinį tepalą, kad tolygiai padengtumėte paviršių ir sumažintumėte riziką susižaloti prisilietus prie ašmenų. Informacijos apie tinkamą purškiamąjį tepalą kreipkitės į vietinį įgaliotą techninio aptarnavimo centrą.

- Reguliariai ir prieš kiekvieną naudojimą tikrinkite, ar tinkamai užveržti visi sraigčiai, varžtai ir varžlės, kad užtikrintumėte saugą darbo aplinką. Bet kurią apgadintą detalę leidžiama remontuoti arba keisti tik autorizuosame aptarnavimo centre.

SUSIPAŽINKITE SU ĮRENGINIU

Žr. 113 psl.

1. Disko apsauginis gaubtas
2. Priekinė rankena
3. Priekinis svirtinis jungiklis
4. Gaidukas
5. Galinė rankena
6. Geležte
7. HEDGESWEEP atlieku šlavykle
8. Geležtes gaubtas
9. Naudotojo vadovas
10. Baterija
11. Ikroviklis

ŽENKLAI



Pranešimas apie saugumą



Prieš pradėdami naudotis šiuo gaminiu, būtinai perskaitykite ir išnagrinėkite visus naudojimo instrukcijoje pateiktus nurodymus. Vadovaukitės visais įspėjimais ir saugos taisyklėmis.



Dėvėkite akių, ausų ir galvos apsaugos priemones.



Muvekite neslystantias, tvirtas apsaugines pirštines.



Naudodamiesi gaminiu, avėkite apsaugine avalyne neslidžiais padais.



Kad sunkiai nesusižeistumėte, nelieskite pjovimo geležčiui.



Naudodamiesi gaminiu, visada laikykite jį abiem rankomis.



Neleiskite gaminiui būti po lietumi arba drėgnose sąlygose.



Saugokitės išmetamu arba skrendančiu objektu. Visi pašaliečiai, ypač vaikai ir naminiai gyvūnai, privalo būti bent 15 m atstumu nuo darbo vietos



Prieš pradėdami bet kokius darbus gaminyje išimkite akumuliatorių bloka.



Garantuotas akustinis lygis

Neišmeskite senų akumuliatorių, elektros ir elektroninės įrangos atliekų kartu su nerūšiuotomis komunalinėmis atliekomis. Seni akumuliatoriai, elektros ir elektroninės įrangos atliekas privaloma surinkti atskirai. Senos baterijos, akumuliatoriai ir šviesos šaltinių atliekos turi būti pašalinti iš įrangos. Kur rasti surinkimo ir perdavimo punktą ir kaip tinkamai utilizuoti seną įrenginį, kreipkitės į vietos valdžios įstaigą ar pardavėją. Atsižvelgiant į vietos teisės aktus, mažmenininkai gali būti įpareigoti nemokamai priimti atgal senus akumuliatorius ir elektros bei elektroninės įrangos atliekas. Prisdėdami prie pakartotinio senų akumuliatorių ir elektros bei elektroninės įrangos atliekų panaudojimo ir perdavimo padedate mažinti žaliavų poreikį. Senuose akumuliatoriuose, ypač tuose, kuriuose yra ličio, elektros ir elektroninės įrangos atliekose yra vertingų ir perdirbimui tinkamų medžiagų, kurios gali turėti neigiamą poveikį aplinkai ir žmonių sveikatai, jei nėra šalinamos aplinkai nekenksmingu būdu. Ištrinkite senuose prietaisuose esančius asmens duomenis, jei tokių buvo.

Juhtmeta hekilõikuri juures on peetud esmatähtsaks ohutust, töövõimet ja töökindlust.

OTSTARBEKOHANE KASUTAMINE

Juhtmeta hekilõikur on ette nähtud hekkide, põõsaste jms taimestiku lõikamiseks ja pügamiseks.

Seade on ette nähtud kasutamiseks kodumajapidamises. Toode on mõeldud kasutamiseks ainult väljas, kuivades ja hästi valgustatud tingimustes. Toode ei ole ette nähtud hekkide, põõsaste jms taimestiku lõikamiseks, mille läbimõõt ületab selle lõikevõimet.

Ärge kasutage ühekski muuks otstarbeks.

TOOTE ÜLDISED OHUTUSHOIATUSED

⚠ HOIATUS! Lugege läbi kõik mehaanilise tööriista kohta esitatud ohuhoiatused ning tutvuge tööriista jooniste ja tehniliste andmetega. Kõigi allpool loetletud juhiste mittejärgimine võib põhjustada elektrilöögi, tulekahju ja/või raske vigastuse.

Hoidke hoiatusi ja juhiseid edaspidiseks juhendumiseks alles.

Hoiatuses kasutatav termin "mehaaniline" viitab võrgutoitega (juhtmega) seadmele või akuga (juhtmeta) seadmele.

TÖÖKOHA OHUTUS

- **Hoidke töökoht puhas ja hästi valgustatud.** Korrapõhise puhastamise kohas töötamisel võivad juhtuda õnnetused.
- **Ärge kasutage mehaanilisi tööriistu plahvatusohtlikes keskkondades, näiteks kergesti süttivate vedelike, gaaside läheduses ja tolmu kohas.** Elektrilised tööriistad võivad tekitada sädemeid, mis võivad tolmu või gaasid süüdata.
- **Elektrilise tööriistaga töötamisel hoidke lapsed ja kõrvalisi isikuid eemale.** Tähelepanu hajumise korral võib teil kontroll kaduda.

ELEKTRIOHUTUS

- **Elektripistik peab pistikupessa sobima. Ärge püüdke pistiku konstruktsiooni mingil moel muuta. Ärge ühendage maanduskontaktiga elektrilisi tööriistu elektrivõrku läbi vahepistmike.** Pistiku ja pistikupessa konstruktsiooni muutmise korral tekib elektrilöögi oht.
- **Töötamisel hoiduge kehalisest kontaktist maandatud pindadega, näiteks torude, radiaatorite, elektripliitide ja külmikutega.** Kehaosade maandamisel tekib suurendatud elektrilöögi oht.
- **Ärge jätke elektrilisi tööriistu vihma kätte või niiskesse kohta.** Vee sattumisel elektrilise tööriista sisemusse suureneb elektrilöögi oht.
- **Ärge kasutage toitekaablit nõuetevastaselt. Ärge kasutage toitekaablit tööriista kandmiseks, vedamiseks ja pistikupesast välja tõmbamiseks.** Hoidke toitekaablit eemale küttekahjust, õlist,

teravatest servadest ja liikuvatest osadest. Vigastatud või keeratud toitekaablid suurendavad elektrilöögi ohtu.

- **Väljas töötamisel kasutage välitingimustes kasutamiseks lubatud pikendusjuhtmeid.** Välitingimustes kasutatav pikendusjuhe vähendab elektrilöögi ohtu.
- **Kui niisketes oludes töötamine on vältimatu, siis kasutage rikkevoolu-kaitseülilülitiga (RCD) kaitstud toitevõrku.** RCD kasutamine vähendab elektrilöögi ohtu.

ISIKUKAITSE

- **Tööriistaga töötamisel jälgige tööpiirkonda ja kasutage sealjuures tervet mõistust. Ärge kasutage tööriista siis, kui te olete väsinud, uimastite, alkoholi või ravimite mõju all.** Hetkeline tähelepanu hajumine tööriista kasutamise ajal võib põhjustada raske kehavigastuse.
- **Kasutage isikukaitsevahendeid. Kandke silmade kaitsevahendeid.** Kui tööolud seda nõuavad tuleb kasutada isikukaitsevahendeid, näiteks tolmu maski, libisemiskindlaid tööjalatseid, kiivrit ja kuulmiskaitsevahendeid, mis kehavigastuste riski vähendavad.
- **Vältige tööriista tahtmatut käivitamist. Enne toitekaabli või aku ühendamist, tööriista kättevõtmist või teisaldamist veenduge, et tööriista lüliti on välja lülitatud asendis.** Õnnetuste vältimiseks ärge hoidke tööriista kandmise ajal sõrme lülilil ega ühendage tööriista toitevõrku siis, kui selle lüliti on sisse lülitatud.
- **Enne tööriista sisselülitamist eemaldage sellelt reguleerivõti või mutrivõti.** Elektrilise tööriista külge jäetud reguleerivõti või mutrivõti võivad põhjustada tõsise kehavigastuse.
- **Ärge küünitage end liigselt välja. Hoidke end pidevalt jalgadel ja tasakaalus.** Siis on teil parem kontroll tööriista üle ootamatu olukorra tekkimisel.
- **Kandke tööks sobivat riietust. Ärge kandke lõtvu riideid ja ehteid. Hoidke juuksed ja riided liikuvatest osadest eemal.** Lahtised riietusesemed, ehted ja pikad juuksed võivad haakuda liikuvate osade külge.
- **Kui tööriistal on tolmu eraldamis- või kogumisseadised, siis veenduge, et need on nõuetekohaselt ühendatud ja kasutatavad.** Tolmukoguri kasutamisega saab vähendada tolmu seotud riske.
- **Ärge laske end eksitada sellest, et olete kasutanud tööriista juba sageli; ärge muutuge hooletuks ega eirake ohutusjuhenditeid.** Hooletu tegevus võib põhjustada raske vigastuse sekundi murdosa jooksul.

ELEKTRILISE TÖÖRIISTA KASUTAMINE JA KORRASHOID

- **Ärge koormake tööriista üle. Kasutage tööks sobivat tööriista.** Õigesti valitud tööriist töötab paremini ja ohutumalt selles võimsuspiirkonnas, millele on see ette nähtud.

- **Ärge kasutage tööriista, kui selle lüliti ei lülita seda sisse ja välja.** Lülitiga lülitamatu tööriista kasutamine on ohtlik ja see tuleb lasta ära remontida.
- **Tõmmake pistik vooluvõrgust välja ja/või eemaldage (võimalusel) tööriista aku enne iga reguleerimistööd, tarkivite vahetamist või tööriista hoiustamist.** Need ennetavad turvameetmed vähendavad tööriista tahtmatu käivitumise riski.
- **Hoidke kasutuses mitteolevaid tööriistu lastele kättesaamatus kohas ja ärge lubage tööriista mittetundvaid või kasutusjuhendiga mittetutvunud isikuid tööriista kasutada.** Oskamatu kasutaja käes olev tööriist on ohtlik.
- **Elektrilise tööriista ja tarkivite hooldus. Kontrollige liikuvate osade tsentreeritust, kinnitust ja vigastusi ning muude osade seisundit, mis võivad mõjustada tööriista tööd.** Kui mõni osa on vigastatud, siis laske tööriist enne kasutamist ära parandada. Halvasti hooldatud tööriistad põhjustavad palju õnnetusi.

TEENINDUS

- **Laske oma elektritööriista hooldada väljaõppinud teenindustöötajal. Remondil tohib kasutada ainult originaal-varuosi.** Sellega on tagatud tööriista ohutus.
- **Ärge kunagi remontige kahjustatud akut.** Akut tohivad remontida ainult tootja või selleks volitatud hooldusteenuse osutajad.

JUHTMETA HEKILÕIKURI OHUTUSJUHISED

- **Ärge kasutage hekilõikurit halva ilma korral, eriti kui on olemas äikesoht.** See vähendab pikselöögi ohtu.
- **Hoidke kõik toitejuhtmed ja -kaablid lõikepiirkonnast eemal.** Hekid ja pöösad võivad toitejuhtmeid või -kaableid varjata ning lõiketera võib need ootamatult katki lõigata.
- **Kandke kuulmiskaitsevahendeid.** Piisavad kaitsevahendid vähendavad kuulmiskahjustuste ohtu.
- **Hoidke hekilõikurit üksnes käepideme isoleeritud pinnast, sest tera võib sattuda kokkupuutesse peidus elektrijuhtmega.** Voolu all oleva juhtmega kokku puutuv tera võib panna hekilõikuri metallosad voolu alla ja anda elektrilöögi.
- **Hoidke kõik kehaosad lõiketerast eemal.** Ärge üritage eemaldada ega hoida lõigatavat materjali sel ajal kui lõiketerad liiguvad. Kui mootor välja lülitada, jätkavad terad pöörlemist. Hetkeline tähelepanu hajumine seadme kasutamise ajal võib põhjustada raske kehavigastuse.

AKUTÖÖRIISTA KASUTAMINE JA KORRASHOID

- **Laadige akut ainult tootja poolt ettenähtud laadimiseseadmega.** Akule mittesobiva laadimiseseadme kasutamine võib põhjustada tulekahju.
- **Kasutage akutööriista ainult selleks ettenähtud akudega.** Muu aku kasutamine võib põhjustada kehavigastuse või tulekahju.
- **Sel ajal kui aku ei ole kasutusel, hoidke seda eemal teistest metallesemetest, nagu kirjaklambrid, mündid, võtmed, naelad, kruvid või muudest väikestest metallobjektidest, mis võivad akuklemmid lühistada.** Aku klemmide lühistamine võib põhjustada põletust või tulekahju.
- **Aku vale kasutamise korral võib akudevetik välja voolata.** Vältige kokkupuudet väljavoolava vedelikuga. Akudevetiku nahale sattumisel peske see veega maha. Silma sattumisel tuleb pöörduda arsti poole. Akudevetik võib tekitada nahaärritust või -põletust.
- **Ärge kasutage kahjustatud või muudetud akut ega tööriista.** Kahjustatud või muudetud akud võivad käituda ettearvamatu ning põhjustada tulekahju, plahvatuse või vigastuse ohtu.

TÄIENDAVAD OHUTUSJUHISED

- **Ärge püüdke lõigata tüvesid või oksid, mis on suuremad kui tehniliste andmete tabelis näidatud lõikevõimsus või on ilmselgelt liiga suured lõiketerasse söötmiseks.** Suurte varte piiramiseks kasutage käsisaagi või mootoriga oksasaagi.

- Seadmega töötamisel hoidke seda kindlalt kahe käega mõlemast käepidemest.
- Kontrollige seade iga kord enne kasutamist üle. Kontrollige üle kõikide juhtseadiste toimimine. Kontrollige kinnitite lõtvumise, kütuselekete jne suhtes. Veenduge, et kõik kaitsed ja käepidemed on õigesti ja ohutult kinnitatud. Enne kasutamist asendage kõik vigastatud koosteosad. Kontrollige, et akupakett ei leki.
- Kontrollige hekke ja põõsaid seoses võõrkehadega nagu traataiad ja peidetud juhtmed.
- Seadet tohib kasutada ainult maapinnalt ja mitte redelilt ega üheltki muult ebastabiilselt pinnalt.
- Ärge kasutage toodet kehva valgustuse korral. Kasutage toodet alati päeavalguses või heas kunstvalguses. Töötajal peab tööpiirkonnale olema selge väljavaade, et tuvastada võimalikud ohud.
- Kuulmiskaitsevahendite kasutamine vähendab hoiatuste (hüüde või häire) kuulmist. Pöörake tähelepanu tööpiirkonnas ja selle ümbruses olevatele ohtudele. Ärge laske end häirida ja olge alati keskendunud oma tegevusele.
- Et vähendada liikuvate osadega kokkupuutumisest tingitud vigastuste ohtu, lülitage alati toode välja ja eemaldage aku. Laske mõlemal maha jahtuda. Veenduge, et kõik masina liikuvad osad on täielikult seiskunud:
 - enne lõikamisvahendite tööasendi reguleerimist
 - enne hooldust
 - enne takistuse kõrvaldamist
 - enne kontrollimist, puhastamist või teenindamist
 - enne tarvikute vahetamist
 - enne toote juurest lahkumist
 - enne kahjustuse kontrollimist, kui on tabatud mõnda eset
 - enne hooldustööd
 - kui toode hakkab ebatavaliselt vibreerima
- Ärge suruge toodet jõuga läbi tiheda põõsastiku. See võib põhjustada terade kinnijäämise ja töökiiruse languse. Kui töökiirus langeb, siis alandage käiku.
- Kui seade on maha kukkunud, saanud tugeva löögi või hakkab ebanormaalselt vibreerima, seisake seade viivitamatult ja kontrollige see üle vigastuste suhtes. Vigastatud osad tuleb lasta pädeval hooldajal parandada või asendada.
- Kasutage toodet ainult temperatuurivahemikus 0–40 °C.
- Hoidke toodet kohas, kus keskkonna temperatuur on vahemikus 0–40 °C.
- Seadme pikaajalisel kasutamisel võite saada kehavigastusi ja varasemad vigastused võivad süveneda. Kui kasutate toodet pikaajaliselt, tehke regulaarselt pause.

AKU LISAOHUTUSJUHISED

- Et vähendada tulekahju ja kehaliste vigastuste ohtu ning lühisest tulenevat toote kahjustamist, ärge kunagi kastke tööriista, akut või laadijat vedelikesse ega laske neil vedelikuga kokku puutuda. Korrodeeruvad või elektrit juhtivad vedelikud, nagu soolvesi, teatud kemikaalid ja pleegitusained või pleegitusaineid sisaldavad tooted, võivad põhjustada lühist.
- Laadige akut kohas, kus keskkonna temperatuur on vahemikus 10–38 °C.
- Hoidke akut kohas, kus keskkonna temperatuur on vahemikus 0–20 °C.
- Kasutage akut kohas, kus keskkonna temperatuur on vahemikus 0–40 °C.

TRANSPORTIMINE JA HOIUSTAMINE

- Lülitage välja ja eemaldage aku. Veenduge, et kõik masina liikuvad osad on täielikult seiskunud. Laske tootel ja akul enne ladustamist või transportimist maha jahtuda.
- Puhastage seade kõikidest võõrkehadest. Ärge hoidke ega transportige toodet koos paigaldatud patareidega. Eemaldage aku ja kinnitage see eraldi. Hoidke kuivas ja hästi ventileeritud kohas, mis on lastele juurdepääsmatu. Hoidke seadet eemal korrodeerivatest ainetest, nagu aiakemikaalid ja jääsulatussoolad. Ärge hoiustage toodet väljas.
- Enne toote ladustamist või transportimist paigaldage lõiketera kate.
- Vedamise ajal tõkestage kultivaator liikuma hakkamise ja alla kukkumise vastu, et vältida kehavigastusi ja masinaosade kahjustamist.

LIITIUMAKUDE TEISALDAMINE

- Akude transportimisel juhinde kasutuskohas kehtivatest riiklikest määrustest ja eeskirjadest.
- Akude transportimisel allettevõtjate poolt järgige kõiki pakkimise ja tähistamise erinõudeid. Veenduge, et akud ei satu kokkupuutese teiste akude ega voolu juhtivate materjalidega, kui avatud klemmid on transportimise ajal kaitsitud voolu mittejuhtivate isoleerikorkide või teibiga. Ärge transportige pragunenud või lekkivaid akusid. Küsige lisateavet transportetevõtelt.

HOOLDUS

- Kasutage ainult tootja originaalvaruosi, tarvikuid ja tööorganeid. Selle nõude eiramine võib põhjustada, kehavigastuse, tootluse languse ja teile antud garantii tühistamise.
- Hooldamine nõuab ülimalt korrashoidu ja teadmisi ning tuleks teostada ainult kvalifitseeritud hooldustehnikute poolt. Toodet tohib parandada vaid volitatud teeninduses.

- Lõikuri terad on väga teravad. Kehavigastuste vältimiseks olge äärmiselt ettevaatlik, kui puhastate, määrите, paigaldate või eemaldate lõiketera katet.
- Lülitage välja ja eemaldage aku. Laske mõlemal maha jahtuda. Veenduge, et kõik liikuvad osad on täielikult peatunud enne toote puhastamist või hooldamist.
- Lubatud on teha ainult selles kasutusjuhendis kirjeldatud reguleerimis- ja parandustoiminguid. Muid remonditööd tohivad teha ainult volitatud teeninduskeskused.
- Pärast iga kasutuskorda pühkige seadme korpus ja käepidemed pehme kuiva lapiga puhtaks. Vigastatud osad tuleb lasta pädeval hooldajal parandada või asendada.
- Pärast iga kasutuskorda pühkige praht teradelt ära tugeva harjaga ja kandke seejärel neile roostetõrjemääret, enne kui tera kaitse uuesti kohale panete. Kasutage roostet ennetavat määrespreid, et määre ühtlaselt peale kanda ja vähendada teradega kokkupuutest tingitud kehaliste vigastuste ohtu. Teavet sellise aerosoolvahendi kohta saate oma kohalikust hoolduskeskusest.
- Iga kord enne kasutamist ja sagedaste intervallide tagant kontrollige, kas kõik mutrid, poldid ja kruvid on tugevalt kinni ning veenduge, et tööriist on kasutamiseks ohutu. Vigastatud osad tuleb lasta pädeval hooldajal parandada või asendada.



Toodet kasutades kandke mittelibiseva tallaga turvajalatsid.



Ärge puudutage lõiketera, et mitte rasket vigastust saada.



Tootega töötamise ajal hoidke seda alati mõlema käega.



Ärge jätke vihma ega niiskuse kätte.



Hoiduge ülespaisatud ja lendavate esemete eest. Hoidke kõik kõrvalised isikud, eelkõige lapsed ja koduloomad, vähemalt 15 m kaugusel tööpiirkonnast.



Enne mistahes tööde tegemist toote kallal võtke aku välja.



Garanteeritud helivõimsuse tase

ÕPPIGE OMA TOODET TUNDMA

Vt leht 113.

1. Saeketta kaitse
2. Eesmine käepide
3. Eesmine päästik
4. Päästik
5. Tagumine käepide
6. Saeleht
7. HEDGESWEEP prahieemaldi
8. Lõiketera kate
9. Kasutusjuhend
10. Aku paketiiga
11. Laadija

SÜMBOLID



Ohutusalaane teave



Enne toote kasutamist lugege läbi ja tehke endale selgeks kõik juhised. Järgige kõiki hoiatusi ja tööohutuseeskirju.



Kasutage silma-, kõrvaja peakaitset.



Kandke libisemiskindlaid, tugevdatud kaitsekindaid.



Ärge kõrvaldage kasutatud patareisid ning elektri- ja elektroonikaseadmete jäätmeyid sortimata olmejäätmetena. Kasutatud patareisid ning elektri- ja elektroonikaseadmete jäätmeyid tuleb koguda eraldi. Patareijäätmeyd, akujäätmeyd ja jäätmeydest valgusallikad tuleb seadmetest eemaldada. Taaskasutusnõuannete ja kogumispunktiga seotud teabe saamiseks pöörduge kohaliku omavalitsuse või edasimüüja poole. Kohalike eeskirjade kohaselt võib jaemüüjatel olla kohustus kasutatud patareisid ning elektri- ja elektroonikaseadmete jäätmeyd tasuta tagasi võtta. Teie panus patareide ning elektri- ja elektroonikaseadmete jäätmeyde korduskasutamisse ja ringlussevõttu aitab vähendada toorainete nõudlust. Patareijäätmeyd, mis sisaldavad eelkõige liitiumi, ning elektri- ja elektroonikaseadmete jäätmeyd sisaldavad väärtuslikke ja ringlussevõetavaid materjale, mis võivad keskkonda ja inimeste tervist kahjustada, kui neid ei kõrvaldata keskkonnasaastlikul viisil. Olemasolul kustutage jäätmeyesadmetest isikuandmed.

Vodeću ulogu u dizajnu vašeg akumulatorskog trimera za živicu imaju sigurnost, performanse i pouzdanost.

NAMJENA

Akumulatorski trimer za živicu je namijenjen za rezanje i šišanje živica, grmlja i sličnog raslinja.

Ovaj proizvod namijenjen je za kućnu ili upotrebu u domaćinstvu. Proizvod je namijenjen samo upotrebi na otvorenom u suhim i dobro osvijetljenim uvjetima. Proizvod nije namijenjen za rezanje živica, grmova i sličnog raslinja čiji je promjer veći od njegovog kapaciteta rezanja.

Proizvod ne koristite ni za kakvu drugu svrhu.

OPĆENITA SIGURNOSNA UPOZORENJA VEZANA UZ PROIZVOD

⚠ UPOZORENJE! Pažljivo pročitajte sva upozorenja, upute i specifikacije priložene uz alat i pogledajte crteže. U slučaju nepoštivanja uputa u priručniku može doći do električnog udara i/ili ozbiljnih tjelesnih ozljeda.

Sačuvajte ova upozorenja i upute kako biste ih naknadno mogli konzultirati.

Pojam „električni alat“ u upozorenjima odnosi se na vaš električni proizvod (žični) napajan iz električne mreže ili proizvod na baterije (bežični).

SIGURNOST RADNOG PROSTORA

- **Neka vaša radna površina bude čista i dobro osvijetljena.** Zatrpani i neosvijetljeni radni prostori izazivaju nezgode.
- **Električne alate nemojte upotrebljavati u eksplozivnoj okolini, primjerice u blizini zapaljivih tekućina, plina ili prašine.** Iskre koje izlaze iz električnih alata mogu ih zapaliti ili izazvati eksploziju.
- **Djecu, posjetitelje i domaće životinje držite dalje od mjesta na kojem upotrebljavate električni alat.** Mogli bi vas omesti te biste zbog toga mogli izgubiti nadzor nad alatom.

ELEKTRIČNA SIGURNOST

- **Utičnik električnog alata uvijek mora biti prilagođen utičnicu.** Nikada ne mijenjajte utikač. Nikada nemojte upotrebljavati prilagodnik s električnim alatom s uzemljenjem. Tako ćete izbjeći opasnost od strujnog udara.
- **Izbjegavajte svaki kontakt s uzemljenim površinama poput cijevi, radijatora, kuhala, hladnjaka itd.** Opasnost od strujnog udara povećava se ako je dio vašeg tijela u dodiru s uzemljenim površinama.
- **Električni alat nemojte izlagati kiši ili vlazi.** Opasnost od strujnog udara povećava se ako u električni alat uđe voda.
- **Pazite da kabel za napajanje bude u dobrom stanju.** Alat nikad nemojte držati za kabel za napajanje, a kabel nemojte vući ni prilikom isključivanja iz struje. Kabel za napajanje držite dalje od izvora topline, ulja, oštrih predmeta i pokretnih dijelova. Opasnost

od strujnog udara povećava se ako je kabel oštećen ili zapetljan.

- **Ako radite na otvorenom, upotrebljavajte samo produžne kabele koji su namijenjeni uporabi na otvorenom.** Tako ćete izbjeći opasnost od strujnog udara.
- **Ako alat morate rabiti u vlažnoj okolini, uređaj priključite na električnu utičnicu zaštićenu uređajem za rezidualnu struju.** Uporaba uređaja za rezidualnu struju smanjuje opasnost od strujnog udara.

OSOBNA SIGURNOST

- **Budite koncentrirani, dobro gledajte što radite i oslonite se na zdravi razum dok upotrebljavate električni alat. Ne koristite se električnim alatom ako ste umorni, pod utjecajem alkohola ili droga ili ako uzimate lijekove.** Uvijek imajte na umu da je dovoljna samo jedna sekunda nepažnje kako biste se teško ozlijedili.
- **Rabite zaštitnu opremu. Uvijek zaštitite oči.** Ovisno o uvjetima, a kako biste izbjegli teške tjelesne ozljede, nosite i masku protiv prašine, protuklizne cipele, kacigu ili štitnike za uši.
- **Izbjegavajte svako nenamjerno pokretanje alata. Uvjerite se da je prekidač u položaju «isključeno» prije uključivanja alata u struju ili umetanja baterije, kao i kad uzimate ili prenosite alat.** Kako biste izbjegli opasnost od nezgoda, alat nemojte prenositi dok vam je prst na prekidaču i nemojte ga uključivati u struju dok je prekidač u položaju «uključeno».
- **Uklonite ključeve za stezanje prije uključivanja vašeg alata u struju.** Ključ za stezanje koji je ostao pričvršćen za pokretni dio alata može prouzročiti teške tjelesne ozljede.
- **Uvijek držite dobru ravnotežu tijela. Stabilno stojte na nogama i nemojte stajati predaleko od alata.** Stabilan položaj pri radu omogućava bolju kontrolu nad alatom u slučaju nepredviđenog događaja.
- **Nosite odgovarajuću odjeću. Nemojte nositi široku odjeću i nakit. Kosu i odjeću držite podalje od pokretnih dijelova.** Široka odjeća, nakit i duga kosa mogu se zaplesti u pokretne dijelove alata.
- **Ako se vaš alat isporučuje sa sustavom usisavanja prašine, provjerite je li on pravilno postavljen i koristi li se kako treba.** Tako ćete izbjeći opasnost od nezgoda.
- **Nemojte dozvoliti da zbog sigurnosti stečene čestim korištenjem alata zaboravite na sigurnosne principe.** Neopreznost može prouzročiti teške ozljede u tren oka.

UPORABA I ODRŽAVANJE ELEKTRIČNIH ALATA

- **Ne primjenjujte silu. Upotrebljavajte alat koji je prilagođen onome što želite raditi.** Vaš električni alat bit će učinkovitiji i njegova uporaba sigurnija ako ga budete upotrebljavali za ono čemu je namijenjen.
- **Ne upotrebljavajte električni alat ako prekidač ne omogućava da ga uključite i isključite.** Alat koji se ne može ispravno uključiti i isključiti opasan je i potrebno ga je popraviti.

- **Prije izvođenja bilo kakvih podešavanja, izmjene priključaka ili pohrane svog električnog alata, isključite utikač iz izvora napajanja i/ili izvadite komplet baterija, ako se mogu izvaditi.** Tako ćete smanjiti opasnost od slučajnog uključivanja alata.
- **Odlazite svoj alat izvan doseg djece. Osobe koje ne poznaju alat ili nisu pročitale ove upute ne smiju ga upotrebljavati.** Električni alat postaje opasan u rukama neiskusnih korisnika.
- **Održavajte električne alate i priključke. Provjeravajte da nema slomljenih dijelova. Provjerite kako su dijelovi postavljeni te sve drugo što bi moglo utjecati na ispravan rad alata. Ako su neki dijelovi oštećeni, popravite ih prije ponovne uporabe alata.** Mnogobrojne nezgode događaju se zbog lošeg održavanja alata.
- **Alat držite čistim i naoštrenim.** Dobro naoštren i čist alat za rezanje rjeđe će se blokirati i moći ćete ga bolje kontrolirati.
- **Električni alat, dodatke i nastavke itd. koristite u skladu s ovdje navedenim uputama za upotrebu, imajući na umu uvjete upotrebe kao i željenu namjenu.** Kako biste izbjegli opasne situacije, električni alat upotrebljavajte samo za poslove za koje je namijenjen.
- **Ručke i površine za hvatanje alata moraju biti čiste i odmašćene.** Sklizave ručke i površine za hvatanje i držanje alata onemogućavaju sigurno rukovanje i kontrolu nad alatom u neočekivanim situacijama.

POSEBNE SIGURNOSNE UPUTE ZA BEŽIČNI ALAT

- **Bateriju vašeg alata ponovno punite samo pomoću punjača koji je preporučio proizvođač.** Punjač prilagođen određenom tipu baterije može izazvati požar ako se koristi s nekim drugim tipom baterije.
- **Za bežični alat treba upotrebljavati samo jednu određenu vrstu baterije.** Uporaba svih drugih baterija može izazvati požar.
- **Ako ne koristite bateriju, držite je dalje od metalnih predmeta poput spjalica, kovanica, ključeva, vijaka, čavala i drugih predmeta koji bi mogli izazvati kontakt.** Kratki spoj među kontaktima baterije može izazvati opekline ili požar.
- **Izbjegavajte svaki dodir s tekućinom baterije u slučaju njenog curenja koje je nastalo zbog neispravne uporabe baterije. Ako dođe do kontakta, obilno isperite taj dio tijela čistom vodom. Ako je došlo do kontakta s očima, obratite se liječniku.** Tekućina iz baterije može prouzročiti nadraženost i opekline.
- **Nemojte koristiti komplet baterija ili alat koji je oštećen ili modificiran.** Oštećene ili modificirane baterije mogu imati neočekivane reakcije, što može uzrokovati požar, eksploziju ili rizik od ozljede.
- **Komplet baterija nemojte izlagati vatri ili previsokoj temperaturi.** Izlaganje vatri ili temperaturama višim od 130 °C može uzrokovati eksploziju.

- **Slijedite sve upute za punjenje i nemojte puniti komplet baterija ili alat izvan temperaturnog raspona navedenog u uputama.** Nepravilno punjenje ili punjenje pri temperaturama izvan specificiranog raspona može oštetiti bateriju i povećati rizik od požara.

ODRŽAVANJE

- **Popravke treba obaviti ovlašteni serviser samo s originalnim rezervnim dijelovima.** Tako ćete moći sigurno upotrebljavati vaš električni alat.
- **Nikada nemojte servisirati oštećeni komplet baterija.** Servisiranje kompleta baterija smije provoditi isključivo proizvođač ili ovlašteni serviser.

SIGURNOSNA UPOZORENJA AKUMULATORSKOG TRIMERA ZA ŽIVICU

- Trimer za živicu ne koristite u lošim vremenskim uvjetima, osobito ako postoji rizik od udara munje. Time se smanjuje rizik od udara munje.
- Sve priključne vodove i kabele držite podalje od područja rezanja. Priključni vodovi ili kabele mogu biti skriveni u živicama ili grmlju i moguće ih je slučajno prerezati oštricom.
- Nosite zaštitu za sluh. Odgovarajuća zaštitna oprema smanjit će rizik od gubitka sluha.
- Trimer za živicu držite isključivo za izolirane površine za hvatanje, pošto oštrica može dotaknuti skriveno ožičenje. Oštrice koje su u doticaju sa žicom i pod naponom izložene metalne dijelove i trimer za živicu mogu staviti pod napon i mogu prouzročiti strujni udar rukovatelju.
- Sve dijelove tijela držite podalje od noža. Nemojte ukloniti odrezani materijal ili držati materijal za rezanje kad se oštrice pomiču. Noževi nastavljaju s okretanjem i nakon isključivanja motora. Trenutak nepažnje pri radu s proizvodom može dovesti do teških osobnih ozljeda.
- Prilikom uklanjanja zaglavljenog materijala ili servisiranja trimera za živicu provjerite jesu li sve sklopke za uključivanje/isključivanje u isključenom položaju te je li baterija uklonjena ili je veza s njom prekinuta. Neočekivana aktivacija trimera za živicu tijekom čišćenja zaglavljenog materijala ili servisiranja može dovesti do teške tjelesne ozljede.
- Trimer za živicu nosite držeći ga za ručku dok je nož zaustavljen i vodeći računa o tome da ne pritisnete nijednu sklopku za uključivanje. Pravilnim nošenjem trimera za živicu smanjit će se rizik od njegovog iznenadnog pokretanja i posljedičnog ozljeđivanja izazvanog oštricama.
- Prilikom prevoženja ili skladištenja trimera za živicu, uvijek na njega stavite poklopac oštrice. Pravilnim rukovanjem trimenom za živicu smanjit će se rizik od nastanka ozljeda izazvanih oštricama.

DODATNA SIGURNOSNA UPOZORENJA

- Ne pokušavajte rezati stabljike ili grančice deblje od kapaciteta rezanja navedenog u tablici specifikacija ili one koje su očito prevelike da bi stale na reznu oštricu. Koristite ručnu pilu ili pilu za sječenja za trimanje velikih stabljiki.

- Prilikom rada s proizvodom, uvijek ga držite čvrsto s obje ruke za obje ručke.
- Prije korištenja provjerite uređaj. Provjerite za pravilan rad svih upravljačkih elemenata. Provjerite za olabavljene zatezače, istjecanje goriva itd. Osigurajte da su svi štitnici i ručke pravilno i čvrsto priključeni. Prije korištenja zamijenite sve oštećene dijelove. Provjerite baterije na curenje.
- Provjerite ima li u živici i grmlju stranih tijela poput žičanih ograda ili skrivenih žica.
- Proizvod se mora koristiti samo na tlu, a ne na ljestvama ili bilo kojoj drugoj nestabilnoj podlozi.
- Nemojte rukovati proizvodom pri lošem osvjetljenju. Koristite proizvod po danjem svijetlu ili pri dobroj umjetnoj rasvjeti. Operateru treba jasan pogled radnog područja kako bi identificirao potencijalne opasnosti.
- Korištenje zaštite za sluh smanjuje vašu mogućnost da čujete upozorenja (viku ili alarme). Obratite posebnu pozornost na moguće opasnosti u okolini i unutar radnog područja. Prilikom rada budite pažljivi i koncentrirajte se na podatka.
- Kako biste smanjili rizik od ozljeda zbog kontakta s pokretnim dijelovima, uvijek isključite proizvod i izvadite baterijski sklop. Pustite da se ohladi. Provjerite da su svi pokretni dijelovi zaustavljeni:
 - prije prilagodbe radnog položaja reznih mehanizama
 - prije servisiranja
 - prije uklanjanja blokade
 - prije provjere, čišćenja ili rada na uređaju
 - prije promjene pribora
 - prije ostavljanja proizvoda bez nadzora
 - prije provjere bilo kakvog oštećenja nakon udara u neki predmet
 - prije postupka održavanja
 - ako uređaj počne abnormalno vibrirati
- Nemojte silom gurati proizvod kroz gusto žbunje. Ovo može uzrokovati tromost oštrica i usporavanje. Ako oštrice uspore smanjite brzinu hoda.
- Ako je proizvod ispao, pretrpio težak udar ili abnormalno vibrira, odmah zaustavite proizvod i provjerite na oštećenje ili identificirajte uzrok vibracija. Svaki oštećeni dio trebao bi pravilno popraviti ili zamijeniti ovlašteni servisni centar.
- Proizvodom rukujte samo na temperaturama između 0 °C i 40 °C.
- Proizvod čuvajte na mjestu čija je okolišna temperatura između 0 °C i 40 °C.
- Povrede mogu biti uzrokovane ili zadobivene produljenim korištenjem alata. Kada proizvod koristite dulje vremenski razdoblje, svakako se redovito odmarajte.

DODATNA SIGURNOSNA UPOZORENJA ZA BATERIJU

- Kako biste smanjili rizik od požara, tjelesnih ozljeda i oštećenja proizvoda zbog kratkog spoja, nikada nemojte umakati proizvod, baterijski sklop ili punjač u tekućinu ili dozvoliti da tekućina proдре u njih. Korozirajuće ili

vodljive tekućine kao slana voda, određene kemikalije i sredstva za bijeljenje ili proizvodi koji sadrže sredstva bijeljenja, mogu prouzročiti kratak spoj.

- Baterijski sklop punite na mjestu na kojem je okolišna temperatura između 10 °C i 38 °C.
- Baterijski sklop čuvajte na mjestu na kojem je okolišna temperatura između 0 °C i 20 °C.
- Baterijski sklop koristite na mjestu na kojem je okolišna temperatura između 0 °C i 40 °C.

PRIJEVOZ I SKLADIŠTENJE

- Isključite i izvadite baterijski sklop. Provjerite da su svi pokretni dijelovi zaustavljeni. Ostavite proizvod u bateriju da se ohladi prije skladištenja i prijenosa.
- Očistite svaki strani materijal s uređaja. Ne skladištite i ne prevozite proizvod s ugrađenim baterijskim sklopom. Izvadite baterijski sklop i zasebno ga pričvrstite. Skladištite ga na suhom i dobro ventiliranom mjestu koje nije pristupačno djeci. Držite proizvod podalje od korozivnih sredstva kao što su vrtno kemikalije i soli protiv zaleđavanja. Proizvod ne čuvajte na otvorenom.
- Zaštitnik za nož pričvrstite prije skladištenja ili tijekom prevoženja proizvoda.
- Za prijevoz, osigurajte uređaj protiv pomicanja ili pada kako biste spriječili povrede osoba ili oštećenja na uređaju.

TRANSPORTIRANJE LITIJUMSKIH BATERIJA

- Transportirajte bateriju u skladu s lokalnim i nacionalnim pravima i zakonima.
- Slijedite sve specijalne zahtjeve na pakiranju i naljepnicama prilikom transporta baterije od treće strane. Osigurajte da baterija ne može doći u kontakt s drugim baterijama ili provodnim materijalima tijekom transporta tako da zaštitite izložene priključke s izolacijom, kapičama koje ne provode energiju ili trakom. Nemojte transportirati baterije koje su polomljene ili cure. Provjerite kod kompanije koji transportirate za daljnju pomoć.

ODRŽAVANJE

- Koristite samo originalne zamjenske dijelove, dodatni pribor i priključke od proizvođača. Nepoštivanje ovih uputa može dovesti do mogućih ozljeda, loše učinkovitosti i može dovesti do poništenja jamstva.
- Servisiranje iziskuje krajnju pažnju i znanje i treba da ga vrši samo kvalificirani servis. Neka se proizvod servisira samo u ovlaštenom servisnom centru.
- Rezne oštrice iznimno su oštre. Kako biste spriječili tjelesno ozljeđivanje budite iznimno oprezni prilikom čišćenja, podmazivanja, montiranja ili skidanja poklopca oštrice.
- Isključite i izvadite baterijski sklop. Pustite da se ohladi. Prije bilo kakvih radnji čišćenja ili održavanja na uređaju obavezno provjerite jesu li se u potpunosti zaustavili svi pokretni dijelovi.
- Možete izvršiti podešavanja i popravke koji su opisani u ovom priručniku. Za ostale popravke, neka se proizvod servisira samo u ovlaštenom servisnom centru.

- Nakon svakog korištenja, očistite kućište sa suhom mekom krpom. Svaki oštećeni dio trebao bi pravilno popraviti ili zamijeniti ovlašteni servisni centar.
- Nakon svakog korištenja, očistite ostatke s oštrica sa cvrstom cetkom i potom pažljivo primijenite sredstvo protiv hrđe prije ponovnog postavljanja štitnika oštrice. Upotrijebite preporučeni sprej za sprječavanje hrđanja i podmazivanje koji je potrebno nanijeti ravnomjerno po oštrici kako bi se smanjio rizik od tjelesne ozljede zbog dodira s oštricama. Za informacije o prikladnim proizvodima kao sprej, provjerite kod lokalnog ovlaštenog servisnog centra.
- Prije svake upotrebe i u čestim vremenskim intervalima provjeravajte jesu li sve matice, svornjaci i vijci dobro zategnuti kako biste bili sigurni da se proizvod nalazi u sigurnom radnom stanju. Svaki oštećeni dio trebao bi pravilno popraviti ili zamijeniti ovlašteni servisni centar.

UPOZNAJTE SVOJ PROIZVOD

Pogledajte stranicu 113.

1. Štitnik noža
2. Prednja rucka
3. Prednji okidac
4. Okidač
5. Stražnja rucica
6. Oštrica
7. HEDGESWEEP cistac otpadaka
8. Poklopac oštrice
9. Upute za uporabu
10. Baterija
11. Punjac

SIMBOLI



Sigurnosno upozorenje



Prije rada s proizvodom morate pročitati i razumjeti sve upute. Slijedite sva upozorenja i sigurnosne upute.



Nosite zaštitu za oči, uši i glavu.



Nosite zaštitne rukavice velike debljine koje se ne klišu.



Kada koristite proizvod nosite sigurnosnu obuću s protukliznim donom.



Za sprejecavanje ozbiljnih ozljeda, ne dodirujte oštrice za rezanje.



Za vrijeme rada proizvod uvijek držite cvrsto, s obje ruke.



Ne izlažite kiši ili vlažnim uvjetima.



Cuvajte se odbacenih ili letecih predmeta. Sve nazocene osobe, a osobito djecu i kucne ljubimce, držite na udaljenosti od najmanje 15 m od radnog podruca.



Prije zapocinjavanja bilo kakvih radova na proizvodu uklonite bateriju.



Jamcena razina zvučne snage

Otpadne akumulatore, otpadnu električnu i elektroničku opremu nemojte odlagati kao nesortirani komunalni otpad. Otpadni akumulatori i otpadna električna i elektronička oprema moraju se prikupljati odvojeno. Otpadne baterije, otpadni akumulatori i izvori svjetla moraju se ukloniti iz opreme. Od lokalnih nadležnih tijela ili trgovca zatražite savjete koji se odnose na recikliranje i mjesto za skupljanje otpada. U skladu s lokalnim propisima, trgovci u maloprodaji imaju obvezu besplatnog preuzimanja otpadnih baterija i otpadne električne i elektroničke opreme. Vaš doprinos ponovnoj upotrebi i recikliranju otpadnih baterija i otpadne električne i elektroničke opreme pomaže u smanjenju potrebe za sirovinama. Otpadne baterije, osobito one koje sadrže litij i električna i elektronička oprema sadrži i vrijedne materijale koje je moguće reciklirati, koji mogu negativno utjecati na okoliš i ljudsko zdravlje, ako se ne uklanja na način ekološki sukladan s okolišem. Izbrišite osobne podatke iz otpadne opreme, ako ih ima.

SL PREVOD ORIGINALNIH NAVODIL

Brezžični obrezovalnik žive meje je zasnovan za zagotavljanje najvišje ravni varnosti, učinkovitosti in zanesljivosti delovanja.

NAMEN UPORABE

Brezžični obrezovalnik žive meje je predviden za rezanje in obrezovanje grmičevja, živih meja in podobne vegetacije.

Izdelek je namenjen za domačo uporabo. Izdelek je predviden izključno za uporabo na prostem pri dobri osvetlitvi in v suhih pogojih. Izdelek ni predviden za obrezovanje živih mej, grmovja in podobnega rastlinja, katerega premer je večji od rezalne zmogljivosti izdelka.

Za druge namene ga ne uporabljajte.

SPLOŠNA VARNOSTNA OPOMENI ZA IZDELEK

⚠ OPOZORILO! Preberite vsa varnostna opozorila, navodila, ilustracije in specifikacije, ki so priložene temu električnemu orodju. Neupoštevanje vseh spodaj navedenih navodil lahko privede do električnega udara, požara in/ali hude poškodbe.

Shranite vsa opozorila in navodila za kasnejšo uporabo.

Izraz «električna naprava» v opozorilih se nanaša na električno napajani (ožičeni) izdelek ali baterijsko napajani (brezžični) izdelek.

VARNOST DELOVNEGA OBMOČJA

- **Delovno območje naj bo čisto in dobro osvetljeno.** V neurejenih in temnih območjih se rade zgodijo nesreče.
- **Električne naprave ne uporabljajte v eksplozivnem okolju, na primer blizu vnetljivih tekočin, plina ali prahu.** Iskre, ki jih povzročajo električne naprave, lahko zanetijo ogenj ali povzročijo eksplozijo.
- **Med uporabo električne naprave naj vas ne motijo otroci in drugi opazovalci.** Motnje lahko povzročijo izgubo kontrole.

ELEKTRIČNA VARNOST

- **Vtiči električne naprave morajo ustrezati vtičnicam.** Vtičev nikoli ne spreminjajte. Z ozemljeno električno napravo ne uporabljajte adapterjev. Nespremenjeni vtiči in ustrezne vtičnice zmanjšujejo nevarnost električnega udara.
- **Izogibajte se dotika telesa z ozemljenimi površinami, kot so cevi, radiatorji, štedilniki in hladilniki.** Če je vaše telo v stiku z ozemljenimi površinami, je povečana nevarnost električnega udara.
- **Električne naprave ne izpostavljajte dežju in vlagi.** Če pride v električno napravo voda, je povečana nevarnost električnega udara.
- **Pazite, da je napajalni kabel v dobrem stanju.** Napajalnega kabla nikoli ne uporabljajte za prenašanje naprave ali za vlečenje vtiča iz vtičnice. Pazite, da kabel ne pride v stik z vročino, oljem, ostrimi robovi in gibajočimi se deli. Poškodovani in zavozlani kabli povečujejo nevarnost električnega udara.

- **Če uporabljate električno napravo na prostem, uporabite podaljševalni kabel, primeren za zunanjo uporabo.** Uporaba kabla, primernega za zunanjo uporabo, zmanjšuje nevarnost električnega udara.
- **Če se ne morete izogniti uporabi električne naprave na vlažnem mestu, uporabljajte zaščitno stikalo na diferenčni tok (RCD).** Uporaba RCD stikala zmanjšuje nevarnost električnega udara.

OSEBNA VARNOST

- **Pri delu bodite pozorni, pazite kaj delate in električne naprave uporabljajte razumno. Ne uporabljajte električne naprave, če ste utrujeni, pod vplivom alkohola ali drog ali če jemljete zdravila.** Ne pozabite, da se lahko že trenutek nepozornosti konča z resno telesno poškodbo.
 - **Uporabljajte osebno zaščitno opremo. Vedno nosite zaščito za oči.** Zaščitna oprema, kot so protiprašna maska, čevlji z neдрсеčimi podplati, čelada ali ščitniki sluha, uporabljena v pravih okoliščinah, bo zmanjšala možnosti za telesne poškodbe.
 - **Izogibajte se nenamernemu zagonu naprave. Preverite ali je stikalo v položaju za izklop, preden napravo priključite na omrežje in/ali akumulator, preden jo vzamete v roke ali prenašate.** Električne naprave ne prenašajte s prstom na stikalu in ne priključujte je na omrežje z vklopljenim stikalom, saj lahko povzročite nesrečo.
 - **Preden napravo vklopite, odstranite ključ za nastavitve.** Če ostane ključ ali orodje za nastavitve pritrjeno na vrteči se del naprave, lahko pride do telesne poškodbe.
 - **Rok ne stegujte predaleč. V vsakem trenutku poskrbite za varno oporo nog in ravnotežje.** To vam omogoča boljši nadzor nad električno napravo ob nepričakovanih dogodkih.
 - **Oblecite se primerno. Ne nosite ohlapnih oblačil ali nakita. Pazite, da lasje in oblačila ne pridejo v stik s premikajočimi se deli.** Gibajoči se deli lahko zgrabijo ohlapna oblačila, nakit ali dolge lase.
 - **Če so naprave opremljene s priključkom za odvajanje in zbiranje prahu, poskrbite, da je ta nameščen in pravilno uporabljen.** Uporaba zbiralnika prahu lahko zmanjša nevarnost v zvezi s prahom.
 - **Pazite, da zaradi pogoste uporabe orodij ne postanete preveč samozavestni in prezrete varnostna načela uporabe orodja.** Brezbržno dejanje lahko v manj kot eni sekundi privede do hudih poškodb.
- ## UPORABA IN NEGA ELEKTRIČNE NAPRAVE
- **Električne naprave ne preobremenjujte. Za svoj namen uporabite pravo napravo.** Vaša naprava bo učinkovitejša in varnejša, če jo boste uporabljali na način, za katerega je bila zasnovana.
 - **Naprave ne uporabljajte, če je s stikalom ne morete vklopiti in izklopiti.** Vsaka električna naprava, ki je ni mogoče kontrolirati s stikalom, je nevarna in mora obvezno v popravilo.

- **Vtič izključite iz električnega napajanja in/ali iz električnega orodja pred vsakršnimi prilagoditvami, menjavanjem dodatkov ali shranjevanjem odstranite baterijski sklop, če je to mogoče.** Tako zmanjšate nevarnost nenamernega vklopa električne naprave.
- **Električno napravo, ki je ne potrebujete, shranite izven doseg a otrok in ne dovolite, da bi jo uporabljale osebe, ki električne naprave ne poznajo ali ne poznajo teh navodil.** Električne naprave so v rokah neukih oseb nevarne.
- **Električna orodja in dodatke ustrezno vzdržujte.** Preverite poravnavo ali zatikanje pomičnih delov. Preverite, da noben del ni poškodovan in vsa stanja, ki bi lahko vplivala na delovanje električne naprave. Če so sestavni deli poškodovani, jih pred uporabo naprave popravite. Veliko nesreč povzročijo prav slabo vzdrževane električne naprave.
- **Rezila naj bodo vedno ostra in čista.** Pravilno vzdrževana rezila z ostrimi rezalnimi robovi se manj zatikajo in jih je lažje kontrolirati.
- **Električne naprave, dodatni pribor, orodne nastavke ipd. uporabljajte v skladu s temi navodili, pri čemer upoštevajte delovne pogoje in delo, ki ga je treba opraviti.** Uporaba električne naprave za opravila, za katera ni namenjena, je lahko nevarna.
- **Ročice in prijemalne površine naj bodo suhe in čiste, na njih pa naj ne bo olja ter maziva.** Če ročice in prijemalne površine drsijo, ne omogočajo varnega ravnanja in krmiljenja orodja v nepredvidenih okoliščinah.

UPORABA IN NEGA AKUMULATORSKIH NAPRAV

- **Akumulator polnite samo s polnilnikom, ki ga predpisuje proizvajalec.** Polnilnik, ki je primeren za eno vrsto akumulatorja, lahko povzroči požar, če ga uporabljamo za drugo vrsto.
- **Električne naprave uporabljajte samo s točno določenimi akumulatorji.** Uporaba drugačnih akumulatorjev lahko povzroči poškodbe in požar.
- **Ko akumulator ni v uporabi, ga varno shranite, tako da ni v stiku s kovinskimi predmeti, kot so sponke, kovanci, ključji, žebliji, vijaki ali drugi majhni kovinski predmeti, ki bi lahko sklenili oba pola akumulatorja.** Kratek stik obeh polov akumulatorja lahko povzroči opekline ali požar.
- **Ob grobem ravnanju lahko iz akumulatorja izteče tekočina. Izogibajte se vsakemu stiku z njo. Če se to le zgodi, izperite prizadeto območje s čisto vodo. Če pride tekočina v stik z očmi, pojdite po izpiranju k zdravniku.** Tekočina iz akumulatorja lahko povzroči draženje kože ali opekline.
- **Ne uporabljajte poškodovanega ali spremenjenega baterijskega sklopa ali orodja.** Poškodovane ali spremenjene baterije lahko privedejo do nepredvidenega delovanja, to pa posledično do požara, eksplozije ali nevarnosti poškodb.
- **Baterijskega sklopa ali orodja ne izpostavljajte ognju ali visokim temperaturam.** Izpostavljenost ognju ali temperaturam nad 130 °C lahko povzroči eksplozijo.
- **Upoštevajte vsa navodila za polnjenje in baterijskega sklopa ali orodja ne polnite zunaj temperaturnega razpona, opredeljenega v navodilih.** Nepravilno polnjenje ali polnjenje pri temperaturah zunaj opredeljenega razpona lahko privede do poškodb baterije in poveča nevarnost požara.

SERVISIRANJE

- **Popravila električne naprave naj izvaja samo usposobljen serviser z originalnimi nadomestnimi deli.** To bo ohranjalo varno delovanje vaše električne naprave.
- **Nikoli ne servisirajte poškodovanih baterijskih sklopov.** Baterijske sklope naj servisira samo proizvajalec ali pooblaščen serviserji.

VARNOSTNA OPOZORILA ZA BREŽIČNI OBREZOVALNIK ŽIVE MEJE

- Obrezovalnika žive meje ne uporabljajte v slabih vremenskih pogojih, predvsem če obstaja nevarnost grmenja. To zmanjša nevarnost udara strele.
- Zagotovite, da so napajalni kabli in kabli umaknjeni iz območja rezanja. Napajalni kabli ali kabli se lahko skrijejo v živi meji ali grmovju, zato jih lahko nenamerno prežete z rezilom.
- Nosite zaščito za ušesa. Ustrezna zaščitna oprema bo zmanjšala tveganje za okvaro sluha.
- Obrezovalnik žive meje držite izključno za izolirana držala, ker se rezilo lahko dotakne skritih kablov. Rezila, ki pridejo v stik s kablom pod napetostjo, lahko povzročijo prenos napetosti na dele obrezovalnika žive meje, zaradi česar operater lahko doživi električni udar.
- Ne približujte delov telesa rezilu. Ne odstranjujte zagodenega materiala medtem, ko se rezilo premika. Rezila se po zaustavitvi motorja še naprej vrtijo. Trenutek nepazljivosti med uporabo izdelka lahko privede do resnih telesnih poškodb.
- Pri odstranjevanju zagodenega materiala ali servisiranju obrezovalnika žive meje morajo biti vsa stikala za vklop/izklop v izklopljenem položaju in baterija odstranjena. Nepričakovana sprožitve obrezovalnika grmičevja med čiščenjem zagodenega materiala ali servisiranjem lahko povzroči hudo telesno poškodbo.
- Obrezovalnik žive meje prenašajte tako, da ga držite za ročaj, ko je rezilo zaustavljeno, in bodite previdni, da ne pritisnete nobenega stikala za vklop. Z ustreznim prenašanjem obrezovalnika žive meje zmanjšate nevarnost nenamernega zagona in posledično telesne poškodbe, ki jo lahko povzročijo rezila.
- Med prevozom ali shranjevanjem obrezovalnika žive meje vedno namestite pokrov rezila. Z ustreznim ravnanjem z obrezovalnikom žive meje zmanjšate nevarnost telesne poškodbe, ki jo lahko povzročijo rezila.

DODATNA VARNOSTNA OPOZORILA

- Ne poskušajte žagati stebel ali vej, debelejših od zmogljivosti rezanja, navedene v preglednici s tehničnimi podatki, oziroma vej, ki so očitno prevelike za rezilo. Velika stebela odrežite z neelektrično ročno žago.
- Ko izdelek upravljate, ga vedno trdno držite za ročaja z obema rokama.
- Prev vsako uporabo preglejte stroj. Preverite pravilno delovanje vseh krmilnikov. Preverite privitost in pritrjenost delov, tesnjenje goriva itd. Prepričajte se, da so vsa varovala in ročaji pravilno in trdno pritrjeni. Pred uporabo zamenjajte poškodovane dele. Preverite, ali baterija pušča.
- Preverite, ali so v živih mejah in grmovju ovire, kot so žičnate ograje in skrite žice.
- Med uporabo izdelka lahko stojite samo na tleh in ne na lestvi ali kakršnikoli drugi nestabilni podpori.
- Pripomočka ne uporabljajte pri slabi osvetljavi. Izdelek uporabljajte samo pri dnevni svetlobi ali dobri osvetlitvi. Upravljaec mora imeti jasen pregled nad delovnim območjem, da lahko prepozna morebitne nevarnosti.
- Zaščita za sluh zmanjša vašo sposobnost, da slišite opozorila (alarme ali klice). Bodite še posebej pozorni na morebitne nevarnosti okrog delovnega območja in znotraj njega. Pozornosti med uporabo pripomočka ne preusmerjajte drugam in se osredotočajte izključno na opravilo.
- Za zmanjšanje nevarnosti poškodbe zaradi stika s premikajoči se deli izdelek vedno izklopite in odstranite baterijski vložek. Počakajte, da se oboje ohladi. Prepričajte se, da so se vsi premikajoči se deli popolnoma zaustavili:
 - pred nastavljanjem delovnega položaja rezil
 - preden opravite servis
 - preden odstranite zamašek
 - pred preverjanjem in čiščenjem izdelka ali delom na njem
 - preden menjate dodatke
 - preden zapustite napravo
 - preden preverite, ali so nastale poškodbe po udarcu ob predmet
 - pred izvedbo vzdrževanja
 - če izdelek začne nenormalno vibrirati
- Izdelka ne potiskajte skozi gosto grmičevje. S tem se rezila lahko upočasnijo. Če se rezila upočasnijo, upočasnite tempo.
- Če izdelek pade, močno trci ali začne nenormalno vibrirati, ga nemudoma zaustavite in preverite, ali je poškodovan oziroma poiščite vzrok vibriranja. Vsak poškodovani del mora ustrezno popraviti ali zamenjati pooblaščen servisni center.
- Izdelek uporabljajte samo pri temperaturah med 0 °C in 40 °C.
- Izdelek shranjujte v prostoru, v katerem je temperatura okolja med 0 °C in 40 °C.

- Daljša uporaba orodja lahko privede do poškodb ali pa so poškodbe lahko hujše. Če izdelek uporabljate daljši čas, poskrbite za redne premore.

DODATNA VARNOSTNA OPOZORILA ZA BATERIJO

- Za zmanjšanje nevarnosti požara, telesne poškodbe in poškodbe izdelka zaradi kratkega stika nikoli ne potopite izdelka, baterijskega vložka ali polnilca v tekočino ali dopustite, da bi tekočina vdrla vanju. Korozivne ali prevodne tekočine, kot so slana voda, določene kemikalije in belila ali proizvodi, ki le ta vsebujejo, lahko povzročijo kratek stik.
- Baterijski vložek polnite na mestu, kjer je temperatura okolja med 10 °C in 38 °C.
- Baterijski vložek shranjujte na mestu, kjer je temperatura okolja med 0 °C in 20 °C.
- Baterijski vložek uporabljajte na mestu, kjer je temperatura okolja med 0 °C in 40 °C.

TRANSPORT IN SHRANJEVANJE

- Izklopite in odstranite akumulatorski vložek. Prepričajte se, da so se vsi premikajoči se deli popolnoma zaustavili. Pred shranjevanjem ali transportom se morata izdelek in baterijski sklop ohladiti.
- Očistite vse tujke z izdelka. Ne shranjujte in ne prevažajte izdelka z nameščenim baterijskim vložkom. Odstranite baterijski vložek in ga pritrдите ločeno. Shranite jo na suhem in dobro prezračujem mestu, ki ni na dosegu otrok. Shranjujte proč od korozivnih sredstev, kot so vrtn kemikalije in soli za topljenje ledu. Izdelka ne shranjujte na prostem.
- Pred shranjevanjem ali med transportom izdelka namestite ščitnik rezila.
- Za transport zavarujte izdelek pred premiki ali padci, da preprečite poškodbe oseb ali izdelka.

PRENAŠANJE LITIJEVIH BATERIJ

- Baterije prevažajte v skladu z lokalnimi in državnimi uredbami in predpisi.
- Upošteвайте vse posebne zahteve glede pakiranja in označevanja, kadar prevoz opravlja tretja oseba. Zagotovite, da baterije med prevozom ne morejo priti v stik z drugimi baterijami ali prevodnimi materiali tako, da zaščitite izpostavljene konektorje z izolacijo, neprevodnimi pokrovi ali trakom. Ne prevažajte poškodovanih baterij oz. baterij, ki puščajo. Za nadaljnje informacije se obrnite na posredovalno podjetje.

VZDRŽEVANJE

- Uporabljajte le originalne rezervne dele in dodatke, ki jih priporoča proizvajalec. V nasprotnem primeru naprava lahko slabo deluje, povzroči poškodbe, garancija pa ne velja več.
- Servisiranje zahteva posebno pozornost in znanje in naj jo zato opravlja samo izurjeni servisni tehnik. Izdelek naj servisirajo izključno v pooblaščenem servisnem centru.

- Rezila so izredno ostra. Za preprečitev telesnih poškodb bodite med čiščenjem, mazanjem, nameščanjem ali odstranjevanjem pokrova rezila zelo previdni.
- Izklopite in odstranite akumulatorski vložek. Počakajte, da se oboje ohladi. Pred čiščenjem ali vzdrževanjem se prepričajte, da so vsi premični deli zaustavljeni.
- Opravljati smete le nastavitve in popravila, ki so opisana v teh navodilih za uporabo. Druga popravila izdelka naj izvedejo izključno na pooblaščenem servisu.
- Po vsaki uporabi z mehko suho krpo očistite trup in ročaje izdelka. Vsak poškodovani del mora ustrezno popraviti ali zamenjati pooblaščen servisni center.
- Po vsaki uporabi s trdo krtaco z rezila odstranite ostanke, nato pa previdno nanesite mazivo proti rji, preden znova namestite zaščito rezila. Uporabite mazalno razpršilo proti rji, da zagotovite enakomeren nanos in zmanjšate nevarnost telesne poškodbe zaradi stika z rezili. Za informacije o ustreznem spreju se obrnite na lokalni pooblaščen servisni center.
- Pred vsako uporabo in nato v rednih intervalih preverite, da so vse matice, sorniki in vijaki ustrezno priviti ter da je izdelek varen za uporabo. Vsak poškodovani del mora ustrezno popraviti ali zamenjati pooblaščen servisni center.

SPOZNAJTE SVOJ IZDELEK

Glejte stran 113.

1. Ščitnik rezila
2. Sprednji ročaj
3. Sprednji speožilec
4. Sprožilec
5. Zadnji ročaj
6. Rezilo
7. Cistilnik smeti HEDGESWEEP
8. Pokrov rezila
9. Priročnik za uporabo
10. Akumulator
11. Polnilec

SIMBOLI



Varnostni alarm



Pred uporabo izdelka preberite in razumite vsa navodila. Upošteвайте vsa opozorila in varnostna navodila.



Nosite zaščito oči, ušes in glave.



Nadenite si nredsece zaščitne rokavice za težka dela.



Pri uporabi izdelka nosite obutev, ki ne drsi.



Da bi preprečili resne poškodbe, se ne dotikajte rezil.



Med upravljanjem izdelka, ga vedno držite z obema rokama.



Ne izpostavljajte ga dežju ali vlagi.



Pazite na izvržene ali letece predmete. Opazovalci, predvsem otroci in domače živali, morajo biti najmanj 15 m od območja uporabe.



Pred izvajanjem del na pripomočku odstranite akumulatorski vložek.



Zajamcena raven zvočne moci

Odpadnih baterij in odpadne električne in elektronske opreme ne odlagajte med nesortirane gospodinjstvske odpadke. Odpadne baterije in odpadno električno in elektronsko opremo je treba zbirati ločeno. Odpadne baterije, odpadne akumulatorje in svetlobne vire je treba odstraniti iz opreme. Glede recikliranja in zbirališča se posvetujte z lokalnim organom ali prodajalcem. Skladno z lokalnimi predpisi morajo trgovci na drobno odpadne baterije in odpadno električno in elektronsko opremo morda brezplačno prevzeti. Vaš prispevek k ponovni uporabi in recikliranju odpadnih baterij in odpadne električne in elektronske opreme pomaga zmanjšati zahteve po surovinah. Odpadne baterije, predvsem tiste, ki vsebujejo litij, in odpadna električna in elektronska oprema vsebujejo dragocene materiale in materiale, ki jih je mogoče reciklirati, in lahko v primeru, da se ne odložijo na način, skladen z okoljem, negativno vplivajo na okolje in zdravje ljudi. Če so v odpadni opremi shranjeni osebni podatki, jih izbrišite.



Pri návrhu vášho akumulátorového strihača živého plotu boli prvoradá bezpečnosť, výkon a spoľahlivosť.

ÚČEL POUŽITIA

Akumulátorový strihač živého plotu je určený na strihanie a zastrihávanie živých plotov, kríkov a podobnej vegetácie.

Tento produkt je určený na domáce použitie. Výrobok je určený len na používanie vonku, v suchom a dobre osvetlenom prostredí. Výrobok nie je určený na strihanie živých plotov, kríkov a podobnej vegetácie s priemerom väčším ako je jeho rezná kapacita.

Nepoužívajte na žiadne iné účely.

VŠEOBECNÉ BEZPEČNOSTNÉ UPOZORNENIA VÝROBKU

⚠ VAROVANIE! Prečítajte si všetky výstrahy, pokyny, vyobrazenia a špecifikácie dodané k tomuto elektrickému nástroju. Nedodržanie nižšie uvedených pokynov môže mať za následok úraz elektrickým prúdom, vznik požiaru alebo vážne poranenie.

Všetky varovania a inštrukcie uschovajte pre použitie v budúcnosti.

Výraz „elektrický nástroj“ uvádzaný vo výstrahách sa vzťahuje na produkt napájaný zo siete (s káblom) alebo produkt napájaný akumulátorom (bez kábla).

BEZPEČNOSŤ PRACOVNEJ OBLASTI

- Pracovnú oblasť udržiavajte čistú a dobre osvetlenú. Prepchané alebo tmavé miesta zvyšujú pravdepodobnosť nehôd.
- Elektrické nástroje neprevádzkujte vo výbušných atmosférach, v prítomnosti horľavých kvapalín, plynov alebo prachu. Elektrické nástroje produkujú iskry, ktoré môžu vznietiť prach alebo výpary.
- Držte deti a okolostojacich ďalej počas prevádzkovania elektrického nástroja. Rozptýlenie môže spôsobiť stratu kontroly.

ELEKTRICKÁ BEZPEČNOSŤ

- Zásuvky elektrických nástrojov sa musia zhodovať so zásuvkou. Nikdy a žiadnym spôsobom neupravujte zástrčku. Nepoužívajte žiadne zástrčky s adaptérom spolu s uzemnenými elektrickými nástrojmi. Neupravované a zhodné zásuvky znížia riziko zranenia elektrickým prúdom.
- Vyhýbajte sa kontaktu s uzemnenými povrchmi, ako sú potrubia, radiátory a chladničky. Ak je vaše telo uzemnené, existuje tu zvýšené riziko zranenia elektrickým prúdom.
- Elektrické nástroje nevystavujte dažďu alebo vlhkému prostrediu. Vniknutie vody do elektrického nástroja zvýši riziko zranenia elektrickým prúdom.
- Nepoškodzujte kábel. Nikdy nepoužívajte kábel na prenášanie, ťahanie alebo odpájanie elektrického nástroja. Kábel držte ďalej od horúcich, zaolejaných predmetov, predmetov s ostrými hranami alebo pohyblivých častí. Poškodené alebo zamotané káble zvyšujú riziko zranenia elektrickým prúdom.

- Pri prevádzke elektrických nástrojov vonku použite predlžovací kábel vhodný na použitie vonku. Použitie kábla vhodného na použitie vonku znižuje riziko úrazu elektrickým prúdom.
- Ak sa nedá vyhnúť použitiu elektrického nástroja na vlhkom mieste, použite zariadenie na ochranu napájania pred zvyškovým prúdom (RCD). Použitie RCD znižuje riziko úrazu elektrickým prúdom.

OSOBNÁ BEZPEČNOSŤ

- Buďte opatrní, sledujte, čo robíte a používajte zdravý rozum pri prevádzkovaní elektrického nástroja. Elektrický nástroj nepoužívajte, keď ste unavení alebo pod vplyvom drog, alkoholu alebo liekov. Chvíľa nepozornosti počas prevádzkovania elektrických nástrojov môže spôsobiť vážne osobné zranenie.
- Používajte osobné ochranné pomôcky. Vždy majte ochranu očí. Ochranné pomôcky ako sú protiprachová maska, protišmyková pracovná obuv, tvrdá ochrana hlavy alebo ochrana sluchu, ktoré sa používajú vo vhodných podmienkach znížia riziko osobného zranenia.
- Zabráňte náhodnému spusteniu. Ubezpečte sa, či je spínač v polohe off (vyp) pred pripojením k elektrickému zdroju a/alebo pripojením súpravy batérií, dvíhaním alebo prenášaním nástroja. Prenášanie elektrického nástroja s prstom na spínači alebo spustením elektrického nástroja, ktoré sú zapnuté môže spôsobiť nehodu.
- Pred zapnutím elektrického nástroja vyberte z neho všetky nastavovacie kľúče. Kľúč, ktorý necháte pripavený k otáčajúcej sa časti elektrického nástroja môže spôsobiť osobné zranenie.
- Nepreháňajte. Vždy udržiavajte správnu polohu chodidiel a rovnováhu. Takto sa umožní lepšia kontrola nad elektrickým nástrojom v nepredvídaných situáciách.
- Vhodne sa oblečte. Nenoste voľné oblečenie alebo šperky. Udržiavajte svoje vlasy a oblečenie v dostatočnej vzdialenosti od pohyblivých častí. Voľné oblečenie, šperky alebo dlhé vlasy sa môžu zachytiť do pohyblivých častí.
- Ak sú zariadenia vybavené pripojením na odsávanie prachu a zbernými zariadeniami, zabezpečte, aby boli tieto pripojené a správne použité. Použitie odsávania prachu môže znížiť riziká spojené s prachom.
- Nedovoľte, aby skúsenosti získané častým používaním nástroja viedli k prehnanému sebedovomiu a ignorovaniu bezpečnostných zásad používania nástroja. Neopatrné správanie môže v zlomku sekundy spôsobiť vážne zranenie.

POUŽÍVANIE ELEKTRICKÉHO NÁSTROJA A STAROSTLIVOSŤ OŇ

- Nepresilujte elektrický nástroj. Používajte správny výkon na jeho aplikáciu. Správny elektrický nástroj spraví prácu lepšie a bezpečnejšie pri hodnotách, na ktoré bol navrhnutý.
- Elektrický nástroj nepoužívajte, ak sa nedá pomocou spínača zapnúť a vypnúť. Akýkoľvek elektrický nástroj, ktorý nie je možné ovládať pomocou spínača je nebezpečný a musí sa dať opraviť.

- **Pred každým nastavovaním, výmenou príslušenstva alebo uskladnením elektrického náradia, odpojte zástrčku zo zdroja elektriny alebo vyberte z elektrického náradia sadu batérií, v prípade že je oddeliteľná.** Takéto preventívne bezpečnostné opatrenia znížia riziko náhodného spustenia elektrického nástroja.
- **Nečinné elektrické nástroje skladujte mimo dosahu detí a nedovoľte osobám, ktoré nie sú oboznámené s elektrickým nástrojom alebo týmito inštrukciami, aby elektrický nástroj prevádzkovali.** Elektrické nástroje sú v rukách neškolených osôb nebezpečné.
- **Vykonávajte údržbu elektrického náradia a príslušenstva. Kontrolujte, či sú pohyblivé časti vyrovnané alebo nie sú ohnuté, či jeho časti nie sú zlomené a všetky iné okolnosti, ktoré môžu zasahovať do prevádzky elektrického nástroja. Ak je elektrický nástroj poškodený, nechajte ho pred použitím opraviť.** Mnoho nehôd je spôsobených zlou údržbou elektrických nástrojov.
- **Rezné nástroje udržiavajte ostré a čisté.** Správne udržiavané rezacie nástroje s ostrými reznými hranami sa menej pravdepodobne zalepia a ľahšie sa ovládajú.
- **Elektrický nástroj, príslušenstvo, vrtáky nástroja atď. používajte v súlade s týmito inštrukciami, berte do úvahy pracovné podmienky a prácu, ktorá sa bude vykonávať.** Použitie elektrického nástroja na iné operácie, ako tie, na ktoré je určený môže mať za následok nebezpečnú situáciu.
- **Udržiavajte rukoväte a uchopovacie povrchy suché a čisté a bez oleja a maziva.** Klzké rukoväte a uchopovacie povrchy neumožňujú bezpečnú manipuláciu u ovládanie náradia v neočakávaných situáciách.

POUŽITIE A OŠETROVANIE SÚPRAVY BATÉRIÍ

- **Nabíjajte ich len nabíjačkou špecifikovanou výrobcom.** Nabíjačka, ktorá je vhodná len na jeden typ súpravy batérií môže znamenať riziko požiaru, keď sa používa s inou súpravou batérií.
- **Elektrický nástroj použite len so špecificky určenou súpravou batérií.** Použitie iných súprav batérií môže znamenať riziko zranenia a požiaru.
- **Keď sa súprava batérií nepoužíva, držte ju ďalej od kovových predmetov, ako sú spinky na papier, mince, kľúče, klince, skrutky alebo iné malé kovové predmety, ktoré môžu vytvoriť spojenie z jednej svorky na druhú.** Skratovanie svoriek batérie môže spôsobiť popálenie alebo požiar.
- **Za nepriaznivých podmienok môže vytiecť z batérie kvapalina; vyhýbajte sa kontaktu s ňou. Ak sa neje nechtiac dotknete, vypláchnite vodou. Ak sa kvapalina dostane do kontaktu s očami, vyhľadajte lekársku pomoc.** Kvapalina vytečená z batérie môže spôsobiť podráždenie alebo popálenie.
- **Nepoužívajte sadu batérií alebo náradie, ktorý sú poškodené alebo upravené.** Pri použití poškodených alebo použitých batérií môže dôjsť k nepredvídateľným reakciám, ktoré môžu spôsobiť oheň, výbuch alebo nebezpečenstvo úrazu.
- **Nevystavujte sadu batérií alebo náradie ohňu alebo nadmerným teplotám.** Vystavenie účinku ohňa alebo teploty vyššej ako 130 °C môže spôsobiť výbuch.

BEZPEČNOSTNÉ VÝSTRAHY PRE AKUMULÁTOROVÝ STRIHAČ ŽIVÉHO PLOTU

- **Nožnice na živý plot nepoužívajte za zlych poveternostných podmienok, hlavne ak existuje riziko výskytu bleskov. Znižuje sa tým riziko zasiahnutia bleskom.**
- **Všetky elektrické a ďalšie káble vedte mimo miesta strihania. Elektrické a ďalšie káble sa môžu skrývať v živom plote alebo kríkoch a čepeľ ich môže náhodne prerezať.**
- **Používajte chrániče sluchu. Primerané ochranné prostriedky znižujú riziko straty sluchu.**
- **Nožnice na živý plot držte len za izolované povrchy na uchopenie, pretože čepeľ môže prísť do kontaktu so skrytým vedením. Čepele, ktoré sa dotknú kábla pod napätím, môžu spôsobiť vodivosť nechránených kovových častí nožnic na živý plot a spôsobiť obsluhu zasiahnutie elektrickým prúdom.**
- **Všetky časti tela majte vždy v bezpečnej vzdialenosti od čepeľí. Neodstraňujte odstrihnutý materiál ani nedržte strihaný materiál, keď sa ostria pohybujú. Po vypnutí motora sa čepele stále otáčajú. Chvilka nepozornosti počas obsluhy produktu môže spôsobiť závažné osobné poranenie.**
- **Pri odstraňovaní zaseknutého materiálu alebo servise plotostrihu sa uistite, že sú všetky vypínače vypnuté a akumulátor je demontovaný alebo odpojený. Neočakávané spustenie nožnic na živý plot pri odstraňovaní zaseknutého materiálu alebo vykonávaní servisu môže mať za následok vážne osobné poranenie.**
- **Nožnice na živý plot prenášajte držiac za rúčku, čepele musia byť zastavené a treba dávať pozor, aby ste neaktivovali hlavný vypínač. Správne prenášanie nožnic na živý plot zníži riziko náhodného spustenia a osobného poranenia čepeľami.**
- **Pri doprave a skladovaní nožnic na živý plot vždy nasadte kryt čepele. Správna manipulácia s nožnicami na živý plot zníži riziko osobného poranenia čepeľami.**

ĎALŠIE BEZPEČNOSTNÉ VÝSTRAHY

- **Nepokúšajte sa strihať steny alebo konáre hrubšie, ako je rezná kapacita uvedená v tabuľkách špecifikácií alebo sú zjavne príliš veľké pre reznú čepeľ. Na rezanie veľkých kmeňov použite ručnú pílu bez pohonu alebo odvetvovacia pílu.**
- **Pri práci s produktom ho vždy držte pevne za obe rukoväte.**

- Pred každým použitím nástroj skontrolujte. Skontrolujte správnu činnosť všetkých ovládacích prvkov. Skontrolujte, či nie sú uvoľnené napínadlá a či sú všetky kryty a rukoväte správne a bezpečne nasadené. Pred použitím vymeňte všetky poškodené diely. Skontrolujte, či nedochádza k vytekaniu akumulátorovej jednotky.
- Živý plot a kríky skontrolujte, či sa v nich nenachádzajú cudzie predmety, napríklad drôtený plot a skryté kabeláže.
- Tento výrobok sa smie používať len na rovnom povrchu a nesmie sa používať na rebriku ani žiadnej nestabilnej podpore.
- Nepoužívajte výrobok pri slabom osvetlení. Produkt používajte len na dennom svetle alebo pri dostatočnom umelom osvetlení. Obsluhujúci musí mať jasný výhľad na pracovný priestor, aby mohol identifikovať potenciálne nebezpečenstvo.
- Použitie ochrany sluchu znižuje schopnosť počuť zvukové výstrahy (výkriky alebo alamy). Venujte zvýšenú pozornosť potenciálnym rizikám v pracovnom priestore a jeho okolí. Na prácu sa vždy sústreďte a nerozptyľujte sa.
- Aby ste znížili riziko poranenia spojeného s kontaktom s pohyblivými časťami, výrobok vždy vypnite a vyberte z neho súpravu batérií. Nechajte oba diely vychladnúť. Skontrolujte, či sa všetky pohyblivé diely úplne zastavili:
 - pred nastavením pracovnej polohy sečného zariadenia
 - pred vykonávaním servisu
 - pred odstránením zablokovania
 - pred kontrolou, čistením alebo prácou na zariadení
 - pred výmenou príslušenstva
 - pred ponechaním výrobku bez dozoru
 - pred kontrolou poškodenia po narazení na predmet
 - pred vykonaním údržby
 - ak zariadenie začne neštandardne vibrovať
- Výrobkom nasilu nestríhajte hustý porast. To môže spôsobiť zovretie ostri a ich spomalenie. Ak ostria spomalia, znížte tempo.
- Ak produkt spadne, utrpí silný náraz alebo začne neštandardne vibrovať, okamžite ho zastavte s kontrolou, či nedošlo k poškodeniu alebo zistíte príčinu vibrácií. Akýkoľvek poškodený diel sa musí náležite opraviť alebo vymeniť v autorizovanom servisnom centre.
- Výrobok prevádzkujte len pri teplotách v rozsahu 0 °C až 40 °C.
- Výrobok skladujte na mieste s teplotou okolia v rozsahu 0 °C až 40 °C.
- Pri dlhodobom alebo zvýšenom používaní môže dôjsť k zraneniam. Keď používate výrobok dlhší čas, robte si pravidelné prestávky.

DOPLNKOVÉ BEZPEČNOSTNÉ VÝSTRAHY PRE BATÉRIU

- Aby ste znížili riziko požiaru alebo poškodenia výrobku skratom, nikdy výrobok, akumulátor ani nabíjačku neponárajte do kvapaliny ani nedovoľte, aby sa do nich kvapalina dostala. Korodujúce alebo vodivé

kvapaliny, ako je slaná voda, určité chemikálie a bieliace prostriedky alebo výrobky, ktoré obsahujú bieliadlo, môžu spôsobiť skrat.

- Akumulátor nabíjajte len na mieste s teplotou okolia v rozsahu 10 °C až 38 °C.
- Akumulátor skladujte na mieste s teplotou okolia v rozsahu 0 °C až 20 °C.
- Akumulátor používajte na mieste, kde je teplota okolia v rozsahu 0 °C až 40 °C.

PREPRAVA A SKLADOVANIE

- Vypnite a odpojte súpravu batérií. Skontrolujte, či sa všetky pohyblivé diely úplne zastavili. Pred uskladnením alebo prepravou nechajte zariadenie a jednotku batérie vychladnúť.
- Z výrobku odstráňte všetok cudzí materiál. Výrobok neskladujte ani neprevádzajte s namontovanou súpravou batérií. Vyberte súpravu batérií a samostatne zaisťte. Odložte ho na suché a dobre vetrané miesto, na ktoré nemajú prístup deti. Nedávajte zariadenie do blízkosti korozných číndiel, ako sú záhradné chemikálie a rozmrazovacie soli. Výrobok neuchovávajte vonku.
- Pred uskladnením výrobku alebo dopravou nasadte chránič trojzubového noža.
- Pri preprave zaisťte produkt pred pohybom alebo pádom, aby nedošlo k poraneniu osôb alebo poškodeniu produktu.

PREPRAVA LÍTOVÝCH AKUMULÁTOROV

- Akumulátory prepravujte v súlade s miestnymi smernicami a nariadeniami.
- Keď akumulátory prepravuje tretia strana, dodržiavajte všetky požiadavky na balení a označení. Zabezpečte, aby počas prepravy akumulátory neprišli do kontaktu s inými akumulátormi ani vodivými materiálmi – chráňte obnažené konektory pomocou izolácie, nevodivými viečkami alebo páskou. Neprepravujte akumulátory, ktoré sú prasknuté alebo vytekajú. Ďalšie pokyny zistíte u nasledujúcej spoločnosti.

ÚDRŽBA

- Používajte len originálne náhradné diely, príslušenstvo a nástavce výrobcu. V opačnom prípade môže dôjsť k možnému poraneniu, nedostatočnému výkonu a strate platnosti záruky.
- Údržba vyžaduje extrémnu starostlivosť a znalosti, a musí byť prevádzaná výhradne v autorizovanom servise. Servis výrobku zverte len autorizovanému servisnému stredisku.
- Rezné ostria sú veľmi ostré. Aby ste predišli osobnému poraneniu, pri čistení, mazaní, montovaní alebo odstraňovaní chrániča trojzubového noža dávajte maximálny pozor.
- Vypnite a odpojte súpravu batérií. Nechajte oba diely vychladnúť. Pred akýmkoľvek čistením alebo vykonávaním údržby sa ubezpečte, že sa všetky pohyblivé časti úplne zastavili.
- Môžete vykonávať úpravy a opravy popísané v tejto príručke. Ostatné opravy zverte len autorizovanému servisnému stredisku.

- Po každom použití vyčistite telo a rukoväte produktu suchou tkaninou. Akýkoľvek poškodený diel sa musí náležite opraviť alebo vymeniť v autorizovanom servisnom centre.
- Po každom použití vycistite sutinu z ostrí pomocou tvrdej kefy a predtým, ako znova namontujete ochranný kryt ostria, dôkladne naneste prostriedok proti hrdzaveniu. Používajte antikoroziálny a mazací sprej na rovnomerné aplikovanie a redukovanie rizika osobného poranenia kontaktom s čepeľami. Informácie o vhodnom sprejovom produkte dostanete v miestnom autorizovanom servisnom centre.
- Pred používaním a v častých intervaloch skontrolujte všetky matice, svorníky a skrutky, či sú správne utiahnuté, aby ste zaistili bezpečný prevádzkový stav výrobku. Akýkoľvek poškodený diel sa musí náležite opraviť alebo vymeniť v autorizovanom servisnom centre.



Nevystavujte dažďu ani nepoužívajte vo vlhkom prostredí.



Pozor na vymrštené alebo odletujúce objekty. Zabezpečte, aby všetci okolostojaci, hlavne deti a zvieratá, boli aspon 15 m od plochy používania výrobku.



Vyberte sadu batérií pred vykonávaním akýchkoľvek prác na výrobku.



Garantovaná úroveň hluku

OBOZNÁMTE SA S VAŠIM PRODUKTOM

Pozrite stranu 113.

1. Kryt čepele
2. Predná rukoväť
3. Predný spúšťač
4. Spínač
5. Zadná rukoväť
6. Ostrie
7. Zmeták úlomkov HEDGESWEEP
8. Kryt ostria
9. Návod na obsluhu
10. Batéria
11. Nabíjacia

SYMBOLY



Výstražná značka



Pred používaním výrobku si prečítajte a pochopte všetky pokyny. Dodržujte všetky výstrahy a bezpečnostné pokyny.



Používajte ochranu zraku, sluchu a hlavy.



Používajte protišmykové odolné ochranné rukavice.



Pri používaní výrobku noste nešmykľavú ochrannú obuv.



Aby nedošlo k závažnému poraneniu, nedotýkajte sa rezných ostrí.



Výrobok vždy prevádzkujte držiac ho obomi rukami.



Odpadové batérie a akumulátory a odpadové elektrické a elektronické zariadenia nelikvidujte ako netriedený komunálny odpad. Odpadové batérie a akumulátory a odpadové elektrické a elektronické zariadenia sa musia zbierať separovane. Odpadové batérie, odpadové akumulátory a svetelné zdroje treba z výrobu vybrať. Pokyny na recykláciu a miesta recyklácie zistíte u svojho miestneho orgánu alebo predajcu. Podľa miestnych predpisov môžu mať maloobchodníci povinnosť bezplatne prevziať odpadové batérie a akumulátory a odpadové elektrické a elektronické zariadenia. Váš príspevok k opätovnému použitiu a recyklácii odpadových batérií a akumulátorov a odpadových elektrických a elektronických zariadení pomáha znižovať dopyt po surovinách. Odpadové batérie a akumulátory, konkrétne tie, ktoré obsahujú lítium, a odpadové elektrické a elektronické zariadenia obsahujú cenné a recyklovateľné materiály, ktoré môžu mať nepriaznivý vplyv na životné prostredie a ľudské zdravie, ak sa nelikvidujú ekologicky vhodným spôsobom. Odstráňte prípadné osobné údaje z odpadového zariadenia.

Безопасността, работните характеристики и надеждността са аспектите, на които е даден най-голям приоритет при проектирането на вашата безжична ножица за жив плет.

ПРЕДНАЗНАЧЕНИЕ

Безкабелната ножица за жив плет е предназначена за рязане и подрязване на жив плет, храсти и подобна растителност.

Този продукт е предназначен за домашна или битова употреба. Продуктът е предназначен само за употреба на открито на сухи и добре осветени места. Продуктът не е предназначен за рязане на жив плет, шубраци и подобна растителност с диаметър, по-голям от капацитета му на рязане.

Не го използвайте за никакви други цели.

ОБЩИ ПРЕДУПРЕЖДЕНИЯ ЗА БЕЗОПАСНОСТ ЗА ПРОДУКТА

⚠ ПРЕДУПРЕЖДЕНИЕ! Прочетете всички предупреждения за безопасност инструкции, илюстрации и спецификации, предоставени с този електрически инструмент. Неспазването на всички инструкции, посочени по-долу, може да доведе до токов удар, пожар и/или сериозно нараняване.

Съхранявайте всички предупреждения и инструкции за бъдещи справки.

Терминът „електрически инструмент“ в предупрежденията се отнася до електрически продукт (с кабел) или работещ с батерия (безжичен).

БЕЗОПАСНОСТ НА РАБОТНАТА ЗОНА

- **Поддържайте работното пространство чисто и добре осветено.** Безпорядъкът или тъмнината в работното пространство са предпоставка за злополуки.
- **Не използвайте електрически инструменти в експлозивни среди, например в присъствието на запалителни течности, газове или прах.** По време на работа електрическите инструменти произвеждат искри, които могат да възпламят прах или пари.
- **Дръжте децата и страничните наблюдатели далече, докато боравите с електрически инструмент.** Ако вниманието ви бъде отклонено, може да загубите контрола над електрическия инструмент.

ЕЛЕКТРИЧЕСКА БЕЗОПАСНОСТ

- **Щепселът на електрическия инструмент трябва да е съвместим с контакта. В никакъв случай не внасяйте изменения в конструкцията на щепсела.** Когато работите със занулени електрически инструменти, не използвайте адаптери за щепсела. Използването на оригиналните щепсели и контакти намалява риска от токов удар.

- **Избягвайте допир със заземени повърхности, като тръби, радиатори, печки и хладилници.** Когато тялото ви е заземено, рискът от възникване на токов удар е по-голям.
- **Не излагайте продукта на дъжд или влажни условия.** Проникването на вода в електрическия инструмент повишава опасността от токов удар.
- **Не насилвайте захранващия кабел. Никога не носете, не изключвайте и не дърпайте електрическия инструмент за кабела.** Предпазвайте кабела от нагриване, омасляване, допир до остри ръбове или до подвижни звена на машини. Повредените или усукани кабели увеличават риска от токов удар.
- **Когато работите с електрически инструмент на открито, използвайте само удължителни кабели, предназначени за работа на открито.** Използването на удължител, предназначен за работа на открито, намалява риска токов удар.
- **Ако не можете да избегнете използването на електрически инструмент на влажно място, използвайте RCD (прекъсвач със защитно изключване).** Използването на RCD намалява опасността от електрически удар.

ЛИЧНА БЕЗОПАСНОСТ

- **Бъдете бдителни, внимавайте какво правите и проявявайте благоразумие, когато боравите с електрически инструмент.** Не използвайте електрически инструмент, когато сте уморени или под влиянието на наркотични вещества, алкохол или лекарства. Миг невнимание, докато боравите с електрически инструмент, е достатъчен за получаването на сериозни наранявания.
- **Използвайте лична защитна екипировка. Винаги носете защитни очила.** Защитната екипировка, като маска против прах, пригодени против плъзгане защитни обувки, твърда шапка или антифони, използвани за подходящите условия, ще намали опасността от физически наранявания.
- **Не допускайте нежелано стартиране.** Преди да вдигате или носите инструмента и преди да го включате в електрическата мрежа и/или батерия, винаги проверявайте дали превключвателят е на позиция OFF (изкл). Носенето на инструмента с пръст върху превключвателя или включването му към електричеството, докато превключвателят му е на включен, е предпоставка за злополуки.
- **Махнете всички гаечни или френски ключове за настройка преди да включите инструмента.** Помощен инструмент, забравен на въртящ се елемент, може да доведе до физически наранявания.
- **Не се протягайте, за да работите на трудно достижими места. Винаги стъпвайте стабилно по време на работа и пазете равновесие.** Това дава възможност за по-добър контрол над електрическия инструмент в неочаквани ситуации.

- Обличайте се целесъобразно. Не носете широки дрехи или украшения. Дръжте косата и дрехите си далече от движещите се части. Широките дрехи, украшенията, дългите коси могат да бъдат захванати и увлечени от движещи се елементи.
- Ако устройствата са оборудвани със съоръжение за издърпване и събиране на прах, уверете се, че е то свързано и функционира правилно. Използването на устройства за събиране на прах ще намали рисковете, свързани с работа в прашни условия.
- Не позволявайте опита ви с често използване на инструменти да ви направи прекалено самоуверени и да ви накара да игнорирате принципите за безопасност. Едно небрежно действие може да доведе до сериозно нараняване в рамките само на секунда.
- Използвайте електрическите инструменти, принадлежностите и режещите и др. части съобразно тези указания, като се съобразявате с работните условия и с работата, която ще извършвате. Използването на електрически инструменти за различни от предвидените от производителя приложения повишава опасността от възникване на трудови злополуки.
- Дръжте ръкохватките и повърхностите за захващане сухи, чисти и по тях да няма масло и смазка. Хлъзгавите ръкохватки и повърхности за захващане не дават възможност за безопасно боравене и управление на инструмента при възникване на неочаквани ситуации.

ИЗПОЛЗВАНЕ И ОБСЛУЖВАНЕ НА ИНСТРУМЕНТА С БАТЕРИЯ

ИЗПОЛЗВАНЕ И ОБСЛУЖВАНЕ НА ЕЛЕКТРИЧЕСКИЯ ИНСТРУМЕНТ

- Не насилвайте продукта. Използвайте електрически инструмент, съобразно неговото предназначение. Правилно подбраният електрически инструмент ще свърши работата по-добре и по-безопасно в зададения от производителя диапазон на натоварване.
- Не използвайте електрически инструменти, чиито пусков прекъсвач е повреден. Електрически инструмент, който не може да бъде контролиран посредством превключвател, е опасен и трябва да бъде ремонтиран.
- Изключете щепсела на ел. захранването и/или извадете акумулаторната батерия, ако може да се изважда, от електрическия инструмент, преди да извършвате каквито и да е действия по регулиране, смяна на принадлежностите или съхраняване на електрическия инструмент. Тази мярка премахва опасността от задействане на електрическия инструмент по невнимание.
- Съхранявайте незаетите електрически инструменти на недостъпни за деца места и не позволявайте на лица, незапознати с инструмента или с тези указания, да боравят с него. Когато са в ръцете на неопитни потребители, електрическите инструменти могат да бъдат изключително опасни.
- Поддържайте в добро състояние електрическите инструменти и техните принадлежности. Проверявайте за неизправности или заклиняване в подвижните елементи, за счупени части или други обстоятелства, които могат да влошат работата на електрическия инструмент. Преди да използвате електрическия инструмент, се погрижете повредите да бъдат отстранени. Много от трудовите злополуки се дължат на недобре поддържани електрически инструменти.
- Поддържайте режещите инструменти винаги добре заточени и чисти. Инструменти, за които е полагана правилна грижа и са с добре наточени режещи елементи, се управляват по-лесно и вероятността да заядат е по-малка.
- Презареждайте единствено със зарядното устройство, посочено от производителя. Зарядно устройство, подходящо за зареждане на един вид батерии, може да предизвика риск от пожар, ако бъде използвано за други батерии.
- Използвайте електрически инструменти с батерии единствено със специално предназначение за тях батерии. Използването на всякакви други батерии може да създаде риск от нараняване и пожар.
- Когато батерията не се използва, съхранявайте я далеч от други метални обекти, като например кламери, монети, ключове, гвоздеи, гайки или други малки метални обекти, които могат да направят връзка между клемите. Късото съединение от клемите може да доведе до изгаряния или пожар.
- При неправилно използване батерията може да отдели течност; избягвайте контакт. Ако случайно настъпи контакт, промийте с вода. Ако течността влезе в контакт с очите, потърсете допълнително медицинска помощ. Отделената от батерията течност може да причини възпаление или изгаряния.
- Не използвайте акумулаторна батерия или инструмент, които са повредени или променени по някакъв начин. Повредените или променени батерии могат да работят по непредсказуем начин, което да доведе до пожар, взрив или опасност от наранявания.
- Не излагайте акумулаторната батерия или инструмент на огън или прекалено висока температура. Излагането на огън или на температура над 130 °C може да причини взрив.
- Следвайте всички инструкции за зареждане и не зареждайте акумулаторната батерия или инструмента извън температурния диапазон, посочен в инструкциите. Неправилното зареждане или зареждането при температури извън посочения диапазон може да повреди батерията и да увеличи риска от пожар.

СЕРВИЗНО ОБСЛУЖВАНЕ

- **Ремонтът на електрическите инструменти трябва да се извършва само от квалифицирани специалисти и само с използването на оригинални резервни части.** По този начин се гарантира поддържането на безопасност при работа с електрически инструмент.
- **Никога не обслужвайте повредени акумулаторни батерии.** Обслужването на акумулаторните батерии трябва да се извършва само от производителя или от оторизирани доставчици на услуги по обслужване.

ПРЕДУПРЕЖДЕНИЯ ЗА БЕЗОПАСНОСТ ПРИ РАБОТА С БЕЗЖИЧНАТА НОЖИЦА ЗА ЖИВ ПЛЕТ

- Не използвайте тримера за жив плет при лоши метеорологични условия, особено когато има риск от мълнии. Това намалява риска от поразяване от мълния.
- Дръжте всички захранващи проводници и кабели настрана от зоната на рязане. Захранващите проводници или кабели може да са скрити в клоно или храсти и може случайно да бъдат срязани от острието.
- Носете антифони. Подходящите предпазни средства ще намалят риска от загуба на слуха.
- Дръжте тримера за жив плет само за изолираните повърхности за хващане, защото острието може да влезе в контакт със скрити кабели. Остриета, които влязат в контакт с проводник, по който тече ток, могат да доведат до протичането на ток по неизолираните метални части на тримера за жив плет и да причинят токов удар на оператора.
- Дръжте всички части на тялото си надалече от острието. Не отстранявайте отрязания материал и не дръжте материала, който ще режете, докато остриетата се движат. След изключване на двигателя остриетата продължават да се въртят. Миг невнимание по време на работа с продукта може да предизвика сериозни физически наранявания.
- Когато почиствате заседнал материал или обслужвате хростореза, уверете се, че всички превключватели на захранването са изключени, а акумулаторната батерия е извадена или изключена. Неочаквано задвижване на тримера за жив плет по време на почистване на заседнал материал или обслужване може да доведе до сериозно физическо нараняване.
- Носете тримера за жив плет за ръкохватката, със спряно острие и внимавайте да не задействате превключвател за захранването. Правилното носене на тримера за жив плет ще намали риска от неумишлено стартиране и произтичащи от това физически наранявания от остриетата.

- При транспортиране или прибиране за съхранение на тримера за жив плет винаги поставяйте капака на острието. Правилното боравене с тримера за жив плет ще намали риска от физически наранявания от остриетата.

ДОПЪЛНИТЕЛНИ ПРЕДУПРЕЖДЕНИЯ ЗА БЕЗОПАСНОСТ

- Не опитвайте да режете стъбла или клонки, които са по-големи от капацитета на рязане, посочен в таблицата със спецификации, или очевидно са твърде големи за подаване в режещото острие. Използвайте обикновен ръчен трион или трион за кастрене, за да подрязвате дебели стъбла.
- Когато работите с продукта, винаги го дръжте здраво с две ръце за двете ръкохватки.
- Преди всяка употреба проверявайте машината за неизправности. Проверете дали всички контроли за управление работят както трябва. Проверявайте за разхлабени свързки, течове на гориво и др. Уверете се, че всички предпазители и дръжки са правилно стабилно прикрепени. Заменяйте повредените части преди употреба. Проверете батерията за течове.
- Проверете живите плетове и храстите за чужди предмети, напр. телени огради и скрити кабели.
- Продуктът трябва да се използва само на нивото на земята, а не върху стълба или друга нестабилна опора.
- Не използвайте уреда при слабо осветление. Използвайте продукта само на дневна светлина или при добро изкуствено осветление. Операторът трябва да има чиста видимост върху работното пространство, за да идентифицира потенциални опасности.
- При използване на антифони ще се намали способността да чувате предупреждения (подвиквания или аларми). Бъдете особено внимателни за потенциални опасности в работната зона и около нея. Не се разсейвайте и бъдете винаги концентрирани върху задачата.
- За да се намали рискът от нараняване, свързан с контактуване с движещи се части, винаги изключвайте продукта и изваждайте акумулаторната батерия. Оставете продукта и батерията да изстинат. Уверете се, че всички движещи се части са спрели напълно:
 - преди регулиране на работната позиция на режещите механизми
 - преди обслужване
 - преди почистване на запушване
 - преди проверка, почистване или работа по уреда
 - преди смяна на принадлежности
 - преди оставяне на изделието без надзор
 - преди проверка за повреда след удар с предмет

- преди извършването на профилактика
- ако уредът започне да вибрира неестествено
- Не насилвайте продукта през прекалено гъст храсталак. Това може да причини задръстване в остриетата и ги забави. Ако остриетата се забавят, намалете темпото.
- Ако продуктът бъде изпуснат, претърпи силен удар или започне да вибрира неестествено, незабавно изключете продукта и проверете за повреди или се опитайте да идентифицирате причината за вибрирането. Всяка повредена част трябва да бъде поправена или заменена от упълномощен сервизен център.
- С продукта трябва да се работи само при температури между 0 °C и 40 °C.
- Съхранявайте продукта при околна температура между 0 °C и 40 °C.
- Продължителното използване на инструмента може да доведе до наранявания или влошаване. Когато използвате продукта продължително време, уверявайте се, че правите редовни почивки.

ДОПЪЛНИТЕЛНИ ПРЕДУПРЕЖДЕНИЯ ЗА БЕЗОПАСНОСТ ЗА БАТЕРИЯТА

- За да намалите риска от пожар, физическо нараняване и повреда на продукта поради късо съединение, никога не потапяйте продукта, комплекта батерии или зарядното устройство в течност и не позволявайте в тях да проникне течност. Течностите, предизвикващи корозия или провеждащи електричество, като солена вода, определени химикали, избелващи вещества или продукти, съдържащи избелващи вещества, могат да предизвикат късо съединение.
- Зареждайте акумулаторната батерия на място, на което околната температура е между 10 °C и 38 °C.
- Съхранявайте акумулаторната батерия на място, на което околната температура е между 0 °C и 20 °C.
- Използвайте акумулаторната батерия на място, на което околната температура е между 0 °C и 40 °C.

ТРАНСПОРТИРАНЕ И СЪХРАНЕНИЕ

- Изключете и извадете акумулаторната батерия. Уверете се, че всички движещи се части са спрели напълно. Оставете продукта и батерията да изстинат, преди да ги съхранявате или транспортирате.
- Почистете продукта от всички чужди частици. Не съхранявайте и транспортирайте продукта с поставени батерии. Извадете акумулаторната батерия и я съхранявайте отделно. Съхранявайте я на хладно, сухо и добре проветрявано място, което е недостъпно за деца. Дръжте продукта далече от разяждащи вещества, като например градински химикали и размразяващи соли. Не съхранявайте продукта на открито.

- Поставете протектора на диска, преди да приберете уреда за съхранение или по време на транспортиране.
- Когато транспортирате продукта, го обезопасете така, че да не може да се движи или да падне, защото това може да доведе до евентуални наранявания на хора или повреди по продукта.

ТРАНСПОРТИРАНЕ НА ЛИТИЕВИ БАТЕРИИ

- Транспортирайте батериите в съответствие с местните и национални постановления и разпоредби.
- Спазвайте всички специални изисквания за пакетирани и етикетирани, когато транспортирате батерии чрез трето лице. Уверете се, че батериите не влизат в контакт с други батерии или проводими материали по време на транспортиране, като предпазите откритите конектори с изолация, непроводими капачета или лента. Не транспортирайте батериите, които са спукани или текат. Свържете се със следната компания за допълнителен съвет.

ПОДДРЪЖКА

- Използвайте само оригинални резервни части, аксесоари и приставки от производителя. В противен случай може да се влоши работата на инструмента или да получите тежки контузии, а гаранцията ви ще стане невалидна.
- Сервизното обслужване изисква изключително внимание и специфични познания и следва да бъде извършвано само от квалифициран техник. Продуктът трябва да бъде ремонтиран само в упълномощен сервиз.
- Режещите остриета са изключително остри. За да предотвратите физическо нараняване, бъдете изключително внимателни, когато почиствате, смазвате, монтирате или сваляте капака на острието.
- Изключете и извадете акумулаторната батерия. Оставете продукта и батерията да изстинат. Уверете се, че всички движещи се части са напълно спрели, преди каквото и да е почистване или задача по обслужване.
- Можете да правите настройки и поправки, описани в това ръководство на потребителя. Останалите видове ремонтни дейности трябва да се извършват само в упълномощен сервизен център.
- След всяко използване почиствайте корпуса и дръжките на уреда с мека и суха кърпа. Всяка повредена част трябва да бъде поправена или заменена от упълномощен сервизен център.
- След всяко използване почиствайте остриетата от отломки с твърда четка, след което смазвайте с препарат против ръжда, преди да монтирате отново протектора на острието. Използвайте антикорозионен смазочен спрей, за да нанесете

равномерен слой и да намалите риска от физическо нараняване поради контакт с остриетата. За повече информация относно подходящ смазочен спрей се обърнете към вашия местен оторизиран сервизен център.

- Проверявайте всички гайки, болтове и винтове преди всяко използване и на чести интервали за правилно затягане, за да се уверите, че изделието е в безопасно работно състояние. Всяка повредена част трябва да бъде поправена или заменена от упълномощен сервизен център.

ОПОЗНАЙТЕ ВАШИЯ ПРОДУКТ

Вж. страница 113.

1. Предпазител на острието
2. Предна ръкохватка
3. Преден спусък
4. Спусък
5. Задна ръкохватка
6. Острие
7. Метачка с четки за отпадъци HEDGESWEEP
8. Капак на острие
9. Ръководство за оператора
10. Батерия
11. Зарядно устройство

СИМВОЛИ



Предупреждение относно безопасността



Прочетете и разберете всички инструкции, преди да използвате продукта. Следвайте всички предупреждения и инструкции за безопасност.



Носете предпазни средства за очите, ушите и главата.



Носете здрави предпазни ръкавици, пригодени против плъзгане.



Когато използвате продукта, носете неплъзгащи се предпазни обувки.



За да избегнете сериозно физическо нараняване, не докосвайте режещите остриета.



Когато работите с уреда, винаги го дръжте с двете ръце.



Не излагайте на дъжд и на влажни условия.



Внимавайте за изхвърлени или летящи обекти. Близкостоящите, особено деца и домашни любимци, трябва да стоят поне на 15 m от зоната на работа.



Извадете батерията, преди да започнете каквато и да е работа по уреда.



Гарантирано ниво на шум

Не изхвърляйте отпадъците от батерии, електрическо и електронно оборудване като несортирани битови отпадъци. Отпадъците от батерии и електрически и електронно оборудване трябва да се събират отделно. Отпадъците от батерии, акумулатори и светлинни източници трябва да бъдат премахнати от оборудването. За съвети относно рециклирането и пункта за събиране се обърнете към вашите местни власти или търговски представители. Съгласно местните разпоредби търговците на дребно трябва да бъдат задължени да приемат обратно отпадъци от батерии и електрическо и електронно оборудване. Вашият принос за повторната употреба и рециклирането на отпадъци от батерии и електрическо и електронно оборудване помага за намаляване на търсенето на суровини. Отпадъците от батерии, особено съдържащите литий, и електрическо и електронно оборудване съдържат ценни, подходящи за рециклиране материали, които може да имат неблагоприятно въздействие върху околната среда и човешкото здраве, ако не бъдат изхвърлени по екологичен начин. Ако на отпадъчното оборудване има лични данни, изтрийте ги.



Головними міркуваннями при розробці цього бездротового кущоріза були безпека, ефективність та надійність.

ПЕРЕДБАЧУВАНОМУ ВИКОРИСТАННІ

Бездротовий кущоріз призначений для обрізання кущів, живоплотів та іншої подібної рослинності.

Продукт призначений для домашнього або місцевого використання. Виріб призначений виключно для використання поза приміщенням в умовах мінімальної вологості та достатнього освітлення. Виріб не призначений для обрізання живоплотів, кущів та інших рослин з діаметром гілок, який перевищує зазначений у технічних характеристиках.

Не використовуйте для будь-яких інших цілей.

ЗАГАЛЬНІ ПОПЕРЕДЖЕННЯ ЩОДО БЕЗПЕЧНОГО ВИКОРИСТАННЯ ВИРОБУ

⚠ ПОПЕРЕДЖЕННЯ! Прочитайте всі правила безпеки, інструкції, ілюстрації і специфікації, що поставляються з електроінструментом. Недотримання наведених нижче вказівок може призвести до ураження електричним струмом, пожежі та / або серйозних травм.

Збережіть всі інструкції і вказівки для майбутнього використання.

Термін "електроінструмент" у попередженнях стосується вашого (дротового) електричного інструменту, що живиться від електромережі, або (бездротового) електричного інструменту, що працює на акумуляторної батареї.

БЕЗПЕКА РОБОЧОГО МІСЦЯ

- Утримуйте робоче місце в чистоті і добре освітленим. Безлад на робочому місці або темні місця спричиняють аварії.
- Не використовуйте електроінструменти у вибухонебезпечній атмосфері, наприклад, у присутності легкозаймистих рідин, газів або пилу. Електричні інструменти створюють іскри, що можуть запалити пил або пари.
- Тримайте дітей та сторонніх осіб подалі під час роботи електроінструментом. Відволікання уваги може призвести до втрати контролю.

ЕЛЕКТРОБЕЗПЕКА

- Вилка живлення електроінструменту повинна відповідати розетці. Ніколи не змінюйте вилку. Не використовуйте ніякі вилки-перехідники з заземленими (замкнутими на землю) електроінструментами. Не змінені вилки та відповідні розетки зменшують ризик ураження електричним струмом.

- Уникайте контакту тіла з заземленими поверхнями, такими як труби, радіатори, плити та холодильники. Існує підвищений ризик ураження електричним струмом, якщо ваше тіло заземлене.
- Не піддавайте електроінструменти впливу дощу або вологих умов. Вода, що потрапила в електроінструмент збільшує ризик ураження електричним струмом.
- Не зловжуйте шнур. Ніколи не використовуйте шнур живлення для перенесення, переміщення або вилучення вилки з розетки. Тримайте шнур подалі від тепла, масла, гострих кромок або рухомих частин. Пошкоджені або заплутані шнури збільшують ризик ураження електричним струмом.
- При роботі з електроінструментом на вулиці, використовуйте подовжувач, відповідний для використання на відкритому повітрі. Використання кабелю, придатного для використання на відкритому повітрі, знижує ризик ураження електричним струмом.
- При роботі з електроінструментом у вологому середовищі використовуйте залишковий поточний пристрій (ЗПП) захищеного живлення. Використання ЗПП знижує ризик ураження електричним струмом.

ОСОБИСТА БЕЗПЕКА

- Будьте уважні, дивіться, що ви робите, і використовуйте здоровий глузд при роботі з електроприладами. Не використовуйте електроінструмент, якщо Ви втомилися або перебуваєте під впливом наркотиків, алкоголю або ліків. Найменша необережність при роботі з електроінструментом може призвести до серйозних травм.
- Використовуйте персональне захисне обладнання. Завжди надягайте захисні окуляри. Захисне устаткування, наприклад, респіратор, взуття на нековзній підшві, захисний шолом або засоби захисту органів слуху, використовувані в належних умовах, зменшать ризик отримання травми.
- Запобігайте випадкового запуску. Переконайтеся, що вимикач знаходиться у вимкненому положенні перед підключенням до джерела живлення та / або акумуляторної батареї, підніманням або переміщенням інструменту. Не переносьте електроінструмент з пальцем на вимикачі або подачею живлення на інструмент, який має перемикач, щоб запобігти нещасного випадку.
- Перед включенням електроінструменту знімайте регульовальний або гайковий ключ. Гайковий ключ або регульовальний ключ, залишений на обертаємій частині електроінструменту, може призвести до травм.

- **Не тягніться. Зберігайте правильну стійку і баланс весь час.** Це дозволяє краще контролювати інструмент в несподіваних ситуаціях.
- **Одягайтеся правильно. Не носіть вільний одяг або прикраси.** Тримайте волосся і одяг подалі від рухомих частин. Вільний одяг, прикраси або довге волосся можуть потрапити в рухомі частини.
- **Якщо є пристрій для підключення для збору пилу, переконайтеся, що вони під'єднані і використовуються правильно.** Використання пилозбірника знижує небезпеку, пов'язану з запиленістю.
- **Неухильно дотримуйтесь правил техніки безпеки навіть при використанні інструменту впродовж тривалого часу.** Необережна дія може протягом лічених секунд призвести до серйозних травм.

ВИКОРИСТАННЯ ТА ДОГЛЯД ЗА ЕЛЕКТРОІНСТРУМЕНТОМ

- **Не перевантажуйте електроінструмент.** Використовуйте відповідний для вашої потреби електроінструмент. Електроінструмент виконає роботу краще і безпечніше при швидкості, для якої він був розроблений.
- **Не використовуйте електроінструмент, якщо перемикач не включає та вимикає його.** Будь-який електроінструмент, який не може управлятися за допомогою перемикача, є небезпечним і має бути відремонтований.
- **Перед проведенням будь-яких налаштувань, заміною аксесуарів або при зберіганні електроінструменту слід від'єднати вилку від джерела живлення і /або виїняти з електроінструменту батарею, якщо вона знімна.** Такі профілактичні заходи безпеки зменшують ризик випадкового включення електроінструмента.
- **Зберігайте неприцюючі електроприлади у недоступному для дітей місці і не дозволяйте особам, які не знайомі з інструкціями електричного прилада або з даними інструкціями, працювати з електроприладами.** Електроінструменти небезпечні в руках недосвідчених користувачів.
- **Обслуговування електроінструментів та аксесуарів.** Перевірте розрегульовані або зв'язані рухомі частини, поломані частини і будь-які інші умови, які можуть вплинути на роботу електроінструменту. Якщо пошкоджений, відремонтуйте електроінструмент перед використанням. Багато нещасних випадків є наслідком поганого догляду за електроінструментом.
- **Тримайте ріжучий інструмент гострим і чистим.** Добре доглянутий ріжучий інструмент з гострими ріжучими краївками рідше зв'язується і легше контролюється.
- **Використовуйте електроінструмент, аксесуари та насадки відповідно до цих інструкцій, беручи до уваги умови роботи і роботу, що повинна бути**

виконана. Використання електричного інструменту для операцій, які відрізняються від призначених, може призвести до небезпечної ситуації.

- **Ручки та поверхні для захвату інструменту завжди повинні бути сухими, чистими і вільними від оливи й мастила.** Слизькі ручки та поверхні для захвату можуть перешкоджати безпечному поводженню і контролю інструмента у несподіваних ситуаціях.

ВИКОРИСТАННЯ І ДОГЛЯД ІНСТРУМЕНТУ НА БАТАРЕЙКАХ

- **Перезаряджати тільки за допомогою зарядного пристрою, зазначеного виробником.** Зарядний пристрій, що підходить для одягнутого типу акумуляторів, може створити ризик загорання при використанні з іншим акумуляторним блоком.
- **Використовуйте електроінструменти тільки з призначеними для них акумуляторами.** Використання будь-яких інших акумуляторів, може створити ризик отримання травми і пожежі.
- **Коли акумулятор не використовується, тримайте його подалі від металевих предметів, таких як скріпки, монети, ключі, цвяхи, шурупи, або інші дрібні металеві предмети, які можуть підключити один контакт до іншого.** Коротке замикання контактів акумулятора може призвести до опіків або пожежі.
- **У важких умовах експлуатації, рідина може бути випущена з батареї; уникайте контакту.** При випадковому контакті змийте водою. Якщо рідина потрапила в очі, зверніться за медичною допомогою. Рідина з акумулятора може викликати роздратування або опіки.
- **Не використовуйте пошкоджений або модифікований акумулятор або інструмент.** Пошкоджені або модифіковані акумуляторні батареї можуть мати непередбачувану поведінку, що може призвести до виникнення пожежі, вибуху і ризику отримання травми.
- **Не піддавайте акумулятори або інструмент впливу надмірної температури або вогню.** Вплив вогню або температури вище 130 °C може призвести до вибуху.
- **Дотримуйтесь усіх попереджень та не заряджайте акумуляторну батарею або інструмент при температурах, які виходять за межі зазначених у інструкції.** Зарядка неналежним чином або при температурах поза зазначеного діапазону може привести до пошкодження батареї та збільшує ризик виникнення пожежі.

СЕРВІС

- **Дозволяйте обслуговувати ваш електроінструмент тільки кваліфікованому персоналу, використовуючи тільки ідентичні запасні частини.** Це буде гарантувати безпечне обслуговування електроінструменту.

- **Ніколи не обслуговуйте пошкоджені акумулятори.** Обслуговування акумуляторних батарей повинно проводитися тільки виробником або уповноваженим сервісним центром.

ЗАХОДИ БЕЗПЕКИ ПРИ ЕКСПЛУАТАЦІЇ БЕЗДРОТОВОГО КУЩОРІЗА

- Не користуйтеся кущорізом при поганій погоді, особливо коли існує ризик блискавки. Це зменшує ризик ураження блискавою.
- Слідкуйте за тим, аби дроти живлення не потрапили у зону зрізання. Кабелі живлення можуть бути непомітними у живолопі або кущах, тому існує ризик їх випадкового перерізання лезом.
- Одягайте засоби для захисту слуху. Адекватне захисне знаряддя знижує ризик втрати слуху.
- Тримайте кущоріз тільки за ізольовані поверхні, тому що лезо може контактувати із прихованою проводкою. У разі контакту ножів з дротом під напругою напруга може передаватися на металеві частини кущоріза, і користувач може бути уражений електричним струмом.
- При роботі ножі мають знаходитися якнайдалі від тіла. Не видаляйте обрізаний матеріал та не тримайте матеріал, що має різатись, руками, коли леза рухаються. Леза продовжують рухатись протягом короткого часу після вимкнення пристрою. Найменша необережність при роботі з електроінструментом може призвести до серйозних травм.
- Перед видаленням застряглого матеріалу або технічним обслуговуванням тримера для підстригання живолоту переконайтеся, що всі вимикачі живлення переведено у вимкнене положення, а акумулятор вийнято або від'єднано. Неочікуване включення тримера для живолоту під час очищення або обслуговування може призвести до серйозної травми.
- Переносьте кущоріз за ручку, при цьому ножі мають бути зупиненими; слідкуйте за тим, щоби випадково не натиснути кнопку ввімкнення. При правильному перенесенні кущоріза знижується ризик випадкового ввімкнення і, як наслідок, травмування ножами.
- Завжди закривайте лезо кожухом під час зберігання або транспортування кущоріза. При правильному поводженні з кущорізом знижується ризик травмування лезами.

ДОДАТКОВІ ЗАГАЛЬНІ ПОПЕРЕДЖЕННЯ ЩОДО БЕЗПЕКИ

- Не намагайтеся різати гілки або пагони розмірами, більшими за вказані у технічних характеристиках, а також такі, що виглядають занадто великими для ножів. Використовуйте ручну пилу без живлення або ножівку для обрізки великих стовбурів.

- Під час оперування пристроєм, завжди міцно тримайте його обома руками за дві ручки.
- Огляньте виріб перед кожним використанням. Перевірте правильність роботи всіх елементів керування. Переконайтеся у відсутності протікання палива або послаблених кріплень тощо. Переконайтеся, що всі захисні огорожі, дефлектори і ручки правильно і надійно закріплені. У разі виявлення пошкоджених частин замініть їх до початку роботи. Переконайтеся у відсутності витоків акумулятора.
- Переконайтеся у відсутності в кущах сторонніх об'єктів, зокрема дротової огорожі тощо.
- Цей виріб має використовуватися тільки на рівні землі і в одному разі на драбині чи іншій нестійкій опорі.
- Не використовуйте при поганому освітленні. Використовуйте продукт при денному світлі або при хорошому штучному освітленні. Оператор потрібне чіткий огляд робочої області, щоб визначити потенційні небезпеки.
- Використання захисту органів слуху знижує здатність чути попередження (крики або сигнали тривоги). Придільяйте особливу увагу можливим небезпекам навкруги та всередині робочої зони. Не відволікайтеся, і завжди концентруйтеся на завданні.
- Щоб знизити ризик травмування рухомими частинами пристрою, завжди вимикайте пристрій та виймайте акумулятор. Дайте їм охолонути. Переконайтеся, що всі рухомі частини зупинилися:
 - перед регулюванням робочого положення різального пристрою
 - перед обслуговуванням
 - перед очищенням закупорення
 - перед перевіркою, чищенням, або роботі на продукті
 - перед зміною приладдя
 - до того, як залишити продукт без нагляду
 - перед оглядом приладу на наявність пошкоджень і здійснення необхідного ремонту після удару об сторонній предмет
 - перш ніж виконувати технічне обслуговування
 - якщо продукт починає ненормально вібрувати
- Не проштовхуйте пристрій на держалі через масивні чаргарники. Це може призвести до заплутування лез і сповільнення. Якщо леза сповільнюються, зменшіть темп.
- Якщо продукт впав, постраждав від важкого впливу або починає вібрувати, негайно зупиніть обладнання та перевірте на наявність пошкоджень або визначте причину вібрації. Будь-яка пошкоджена деталь, має

бути правильно відремонтована або замінена в авторизованому сервісному центрі.

- Експлуатувати виріб дозволяється при температурі від 0 °С до 40 °С.
- Зберігайте виріб у місці, де навколишня температура тримається в межах 0–40 °С.
- Тривале використання інструменту може призвести до травмування або загострення існуючої травми. При використанні приладу протягом тривалого періоду часу, часті перерви.

ДОДАТКОВІ ПОПЕРЕДЖЕННЯ З ТЕХНІКИ БЕЗПЕКИ ЩОДО ВИКОРИСТАННЯ АКУМУЛЯТОРІВ

- Для зменшення ризику загоряння, травмування та пошкодження пристрою у разі короткого замикання ніколи не занурюйте виріб, акумуляторну батарею або зарядний пристрій у рідину та не допускайте потрапляння рідини всередину. Корозійні і струмопровідні рідини, такі як солоний розчин, певні хімікати, вибілювальні засоби або продукти, що їх містять, можуть призвести до короткого замикання.
- Заряджайте акумулятор у місці з температурою від 10 °С до 38 °С.
- Зберігайте акумулятор у місці, де навколишня температура тримається в межах 0–20 °С.
- Використовуйте акумулятор у місці, де навколишня температура тримається в межах 0–40 °С.

ТРАНСПОРТУВАННЯ ТА ЗБЕРІГАННЯ

- Вимкніть та від'єднайте акумуляторну батарею. Переконайтеся, що всі рухомі частини зупинилися. Перед зберіганням або транспортуванням виробу й акумуляторної батареї дайте їм охолонути.
- Почистіть всі сторонні матеріали з продукту. Заборонено зберігання або транспортування пристрою зі встановленим акумулятором. Вийміть акумуляторну батарею та зберігайте її окремо. Зберігайте продукт в прохолодному, сухому і добре провітрюваному місці, недоступному для дітей. Зберігати подалі від агресивних агентів, таких як садові хімікати і солей проти обледеніння. Не зберігайте пристрій на відкритому повітрі.
- Перед зберіганням або транспортуванням виробу надягайте чохол на ножи.
- Під час транспортування приладу в автомобілі закріпіть його, щоб запобігти його переміщенню чи падінню, оскільки це може призвести до травмування людей або пошкодження самого виробу.

ПЕРЕВЕЗЕННЯ ЛІТІСВИХ БАТАРЕЙ

- Здійснюйте транспортування акумуляторної батареї відповідно до місцевих та загальнодержавних норм і правил.

- Дотримуйтесь всі спеціальні вимоги до упаковки і маркування при транспортуванні батареї третьою стороною. Переконайтеся, що під час транспортування акумулятор не вступає в контакт з іншими акумуляторними батареями або струмопровідними матеріалами та захистіть відкриті роз'єми ізоляційними непровідними кришками або стрічкою. Чи не переносьте акумулятори, тріснути або бігу. Зв'язатися з нами для отримання подальших рекомендацій.

ТЕХНІЧНЕ ОБСЛУГОВУВАННЯ

- Використовуйте тільки оригінальні запасні частини, аксесуари та обладнання від виробника. Невиконання цієї вимоги може привести до можливої травми, поганої продуктивності та може призвести до втрати гарантії.
- Обслуговування вимагає крайньої обережності і знання і повинно бути виконане тільки кваліфікованим фахівцем. Звертайтеся тільки до авторизованого сервісного центру.
- Лопасті різака дуже гострі. Щоби запобігти травмуванню, будьте завжди дуже обережними при чищенні, змащенні, наладці інструменту, встановленні та знятті чохла.
- Вимкніть та від'єднайте акумуляторну батарею. Дайте їм охолонути. Переконайтеся, що всі рухомі частини повністю зупинились перед очищенням або технічним обслуговуванням пристрою.
- Ви можете зробити регулювання та ремонт, описані в цьому посібнику користувача. Для обслуговування або ремонту, звертайтеся тільки до авторизованого сервісного центру.
- Після кожного використання, очистіть основну частину і ручки продукту м'якою сухою тканиною. Будь-яка пошкоджена деталь, має бути правильно відремонтована або замінена в авторизованому сервісному центрі.
- Після кожного використання, очистіть леза від сміття жорсткою щіткою, а потім ретельно нанесіть мастило від іржі перед установкою протектора леза. Використовуйте рекомендований антикорозійний мастильний розпилювач для рівномірного розподілу та зменшення ризику травмування при контакті з ножами. Для отримання інформації про відповідний аерозольний продукт, зв'яжіться з вашим місцевим уповноваженим сервісним центром.
- Перевірте всі гайки, болти і гвинти після короткого проміжка часу і перед кожним використанням на правильну герметичність, щоб забезпечити продукт у безпечному робочому стані. Будь-яка пошкоджена деталь, має бути правильно

відремонтвана або замінена в авторизованому сервісному центрі.

ЗНАЙ СВІЙ ПРОДУКТ

Дивіться сторінку 113.

1. Кожух леза
2. Передня ручка
3. Передній курок
4. Кнопка
5. Задня ручка
6. Лезо
7. Сміттєзбірник HEDGESWEEP
8. Кришка леза
9. Інструкція з експлуатації
10. Акумуляторна батарея
11. Зарядний пристрій

СИМВОЛИ



Попередження



Перед використанням пристрою прочитайте та зрозумійте всі інструкції. Дотримуйтесь всіх попереджень та інструкцій з безпеки використання.



Надягайте засоби захисту очей, вух та голови.



Носіть неслизькі, надміцні рукавички.



Носіть нековзне захисне взуття при використанні продукту.



Для запобігання серйозних травм не торкайтесь лез.



Завжди тримайте виріб обома руками при роботі.



Не піддавайте впливу дощу або вологих умов.



Остерігайтесь кинутих або літаючих об'єктів. Сторонні особи, діти та хатні тварини повинні знаходитися не ближче 15 м від робочої зони.



Вийміть батарею перед початком ремонту або технічного обслуговування приладу.



Гарантований рівень звукової потужності

Не викидайте старі акумулятори, старе електричне та електронне устаткування разом із несортованим побутовим сміттям. Старі акумулятори, старе електричне та електронне устаткування збираються окремо. З устаткування необхідно зняти старі батареї, акумулятори та джерела світла. За інформацією стосовно утилізації або місць збору звертайтеся до місцевої влади або дилера. Місцеве законодавство може зобов'язувати продавців безкоштовно приймати старі акумулятори та електричне й електронне устаткування. Ваш внесок до справи повторного використання та переробки старих акумуляторів, електричного та електронного устаткування зменшує потребу у сировині. В акумуляторах, особливо літєвих, і старому електричному та електронному устаткуванні містяться цінні, придатні для переробки матеріали, і якщо утилізація такого устаткування проводиться у неекологічний спосіб, це негативно впливає на навколишнє середовище та людське здоров'я. Видаліть персональні дані з устаткування, яке передається на переробку.



Kablosuz çit budama makinenizin tasarımında güvenlik, performans ve güvenilirliğe en yüksek öncelik verilmiştir.

KULLANIM AMACI

Kablosuz çit budama makinesi çitleri, çalıkları ve benzer otları kesmeye ve kırpma yöneliktir.

Ürün evde veya domestik kullanım için tasarlanmıştır. Ürün sadece kuru ve iyi aydınlatılmış dış mekanlarda kullanılmak üzere geliştirilmiştir. Ürün kesme kapasitesinden daha büyük çapta çalıkları, bodur ağaçları ve benzer bitkileri kesmeye uygun değildir.

Başka herhangi bir amaçla kullanmayın.

GENEL ÜRÜN GÜVENLİĞİ UYARILARI

⚠ UYARI! Bu aletle birlikte verilen tüm uyarı, talimat ve özellikleri dikkatlice okuyunuz ve resimli açıklamalara bakınız. Aşağıda sıralanan bütün talimatlara uymamak elektrik çarpmasına, yangına ve/veya ciddi yaralanmalara neden olabilir.

Bu uyarıları ve talimatları daha sonra bakabilmek için saklayın.

Uyarılardaki "elektrikli alet" terimi şebeke elektriğiyle çalışan (kablolu) ya da pille çalışan (kablosuz) ürünü ifade eder.

ÇALIŞMA ORTAMININ GÜVENLİĞİ

- Çalışma ortamınızı temiz ve iyi aydınlatılmış şekilde tutun. Dağınık ya da karanlık alanlar kazalara davetiyе çıkarır.
- Patlayıcı bir ortamda, örneğin yanıcı sıvıların, gazların ya da tozların yakınında elektrikli aletler kullanmayın. Elektrikli aletlerden kaynaklanan kıvılcımlar bunların alev almasına veya patlamasına neden olabilir.
- Elektrikli bir alet kullandığınızda, çocukları, ziyaretçileri ve evcil hayvanları uzak tutun. Bunlar sizin dikkatinizi dağıtabilir ve aletin kontrolünü kaybetmenize sebep olabilirler.

ELEKTRİK GÜVENLİĞİ

- Elektrikli aletin fişi prize uygun olmalıdır. Fişe asla müdahale etmeyin. Topraklanmış elektrikli aletler ile birlikte asla adaptör kullanmayın. Böylece elektrik çarpması risklerini önlemiş olursunuz.
- Topraklanmış yüzeyler (yani borular, radyatörler, ocaklar, buzdolapları, vs.) ile her türlü temastan kaçının. Vücudunuzun herhangi bir bölümünün topraklanmış yüzeyler ile temas etmesi, elektrik çarpması risklerini artırır.
- Elektrikli bir aleti yağmura ya da neme maruz bırakmayın. Suyun elektrikli aletin içine girmesi elektrik çarpması riskini artırır.
- Elektrik kordonunu daima iyi durumda tutmaya özen gösterin. Aletinizi asla besleme kordonundan tutmayın ve aleti prizden çekmek için asla kordondan çekmeyin. Besleme kordonunu her türlü

ısı veya yağ kaynağından, kesici nesnelere ve hareket halindeki parçalardan uzak tutun. Kordonun zarar görmüş ya da dolanmış olması, elektrik çarpması risklerini artırır.

- Dışarıda çalıştığınızda, yalnızca dış kullanım için tasarlanmış uzatma kabloları kullanın. Böylece elektrik çarpması risklerini önlemiş olursunuz.
- Aletinizi nemli bir ortamda kullanmaktan başka bir seçeneğiniz bulunmuyorsa, aletinizi bir diferansiyel artık akım düzeneği (DDR) tarafından korunan bir elektrik beslemesine bağlayın. Bir DDR düzeneğinin kullanılması elektrik çarpması risklerini azaltır.

KİŞİSEL GÜVENLİK

- Elektrikli bir alet kullandığınızda, tetikte olun, yaptığınız işe iyi bakın ve sağduyunuzu kullanın. Yorgun olduğunuzda, alkol veya uyuşturucuların etkisi altında olduğunuzda, ya da ilaç alıyorsanız elektrikli aletinizi kullanmayın. Ciddi şekilde yaralanmanız için bir saniyelik dikkatsizliğin bile yeterli olduğunu asla unutmayın.
- Güvenlik tertibatları kullanın. Gözlerinizi daima koruyun. Koşullara göre, ciddi fiziksel yaralanma risklerini önlemek için aynı zamanda bir toz maskesi, kaymayı önleyen ayakkabılar, bir kask ya da kulak koruyucuları kullanın.
- Her tür istem dışı çalışmaya engel olun. Aletinizi bir prize takmadan veya bataryayı içine yerleştirmeden önce ve ayrıca aleti ele aldığınızda veya taşıdığınızda elektrik anahtarının «kapalı» konumunda olduğundan emin olun. Kaza risklerini önlemek için, parmağınız tetik düğmesindeyken aletinizin yerini değiştirmeyin ve elektrik anahtarı «açık» konumdayken aletinizi prize takmayın / içine bataryayı yerleştirmeyin.
- Aletinizi çalıştırmadan önce sıkıma anahtarlarını çıkarın. Aletin hareket eden bir parçasına takılı kalan bir sıkıma anahtarı, ciddi fiziksel yaralanmalara sebep olabilir.
- Dengenizi korumaya daima özen gösterin. Bacaklarınızın üzerinde iyice destek alın ve kolunuzu çok ileri uzatmayın. Dengeli bir çalışma pozisyonu, beklenmedik bir durumda aleti daha iyi kontrol edebilmeyi sağlar.
- Uygun giysiler giyin. Bol giysiler ya da takılar kullanmayın. Saçınızı ve giysilerinizi hareketli aksamdan uzak tutun. Bol giysiler, takılar ve uzun saçlar hareket halindeki parçalarla yakalanabilir.
- Eğer aletinizle birlikte bir toz emici sistem sağlanmışsa, bu sistemin doğru şekilde monte edilmiş ve kullanılıyor olduğundan emin olun. Böylece kaza risklerini önlersiniz.
- Aletleri sık kullanılmaktan edinilen aşınalığın sizi kayıtsızlığa ve alet güvenlik ilkelerini görmezden gelmeye yönlmesine izin vermeyin. Dikkatsiz bir hareket saniyenin çok küçük bir bölümünde ciddi yaralanmaya neden olabilir.

ELEKTRİKLİ ALETLERİN KULLANIMI VE BAKIMI

- **Aletinizi zorlamayın. Yapmak istediğiniz işe uygun olan aleti kullanın.** Elektrikli aletinizi yapım amacına uygun motor hızında kullandığınızda, aletinizi daha verimli ve daha güvenli olacaktır.
- **Elektrik anahtar çalıştırılıp durdurulmasını sağlamayan bir elektrikli aleti kullanmayın.** Düzgün şekilde açılıp kapatılmayan bir alet tehlikelidir ve mutlaka onarılmalıdır.
- **Herhangi bir ayar yapmadan, aksesuar değiştirmeden ya da elektrikli aletleri depolamadan önce fişi güç kaynağından ayırın ve çıkarılabiliyorsa pil takımını çıkarın.** Böylece aletin istem dışı çalışma risklerini azaltmış olursunuz.
- **Elektrikli aletlerinizi, çocukların ulaşamayacağı yerlere kaldırın. Aleti tanımayan ya da güvenlik talimatlarını okumamış olan kişilerin aleti kullanımına izin vermeyin.** Elektrikli aletler deneyimsiz kişilerin ellerinde tehlikelidir.
- **Elektrikli alet ve aksesuarların bakımını yapın.** Hareketli parçaların hizalamasını kontrol edin. Hiçbir parçanın kırılmış olmadığını kontrol edin. Montajı ve aletin çalışmasını etkileyebilecek başka her tür parçayı kontrol edin. Hasar görmüş parçalar varsa, aletinizi kullanmadan önce tamir ettirin. Birçok kaza, aletlerin kötü bakımından kaynaklanmaktadır.
- **Aletlerinizi temiz ve bilenmiş şekilde tutmaya özen gösterin.** İyi bilenmiş ve temiz bir kesim aletin takılma riski azalır ve siz onu kontrol altında daha kolay tutabilirsiniz.
- **Elektrikli aletinizi, aksesuarlarını, uçları, vs. kullanım koşullarını ve ayrıca arzu edilen uygulamaları dikkate alarak, bu kullanım talimatlarına uygun bir şekilde kullanın.** Tehlikeli durumları önlemek için, elektrikli aletinizi sadece tasarım amacına uygun işler için kullanın.
- **Tutamakları ve kavrama yüzeylerini kuru, temiz ve yağdan arındırılmış tutun.** Kaygan tutamak ve kavrama yüzeyleri beklenmedik durumlarda aletin güvenle kullanılıp kontrol edilmesine izin vermez.

KABLOSUZ ALETLERE ÖZGÜ GÜVENLİK TALİMATLARI

- **Aletinizin bataryasını, sadece üretici tarafından belirtilmiş olan şarj aleti ile şarj edin.** Belirli bir tip bataryaya uygun olan bir şarj aleti, başka tipte bir bataryaya ile kullanıldığında bir yangını tetikleyebilir.
- **Kablosuz bir alet ile sadece özel bir tip bataryaya kullanılmalıdır.** Başka türden herhangi bir bataryanın kullanılması bir yangına sebep olabilir.
- **Batarya kullanılmadığı zaman, ataç, bozuk para, anahtar, vida, çivi gibi metal nesnelere ya da kutupların arasında temas oluşturabilecek başka her türlü nesneden uzak tutun.** Batarya kutuplarının kısa devre yapması, yanıklara ya da yangınlara sebep olabilir.
- **Bataryada aşırı bir kullanımdan dolayı sızıntı meydana gelmesi halinde, batarya sıvısı ile her türlü**

temastan kaçının. Böyle bir durum olursa, temas eden bölgeyi bol duru su ile durulayın. Gözlerinize temas etmesi durumunda, bir doktora da başvurun. Bir bataryadan fışkıran sıvı, tahrişlere ya da yanıklara sebep olabilir.

- **Hasar görmüş ya da değişikliğe uğramış pil takımları ya da aletler kullanmayın.** Hasar görmüş ya da değişikliğe uğramış pil takımları yangın, patlama veya yaralanma tehlikesiyle sonuçlanabilecek, önceden kestirilemez davranışlar gösterebilir.
- **Bir pil takımını ya da aleti ateşe ya da aşırı ısıya maruz bırakmayın.** Ateşe veya 130 °C üzerinde ısıya maruz kalmak patlamaya neden olabilir.
- **Bütün şarj talimatlarına uyun ve pil takımını veya aleti talimatlarda belirtilen ısı aralığının dışında şarj etmeyin.** Uygunsuz ya da belirtilen ısı aralığının dışında şarj pile hasar verebilir ve yangın riskini artırabilir.

BAKIM

- **Onarımlar, yetkili bir teknisyen tarafından ve yalnızca orijinal yedek parçalar kullanılarak yapılmalıdır.** Böylece, elektrikli aletinizi tam güvenli bir şekilde kullanabilirsiniz.
- **Hasar görmüş pil takımlarına asla bakım yapmayın.** Pil takımlarının bakımı sadece üretici veya yetkili hizmet sağlayıcılar tarafından yapılmalıdır.

KABLOSUZ ÇİT BUDAMA MAKİNESİ GÜVENLİK UYARILARI

- Çalı budama makinesini kötü hava koşullarında, özellikle de yıldırım riskinin olduğu durumlarda kullanmayın. Bu yıldırım çarpması riskini azaltır.
- Tüm güç kabloları ile normal kabloları kesim alanından uzak tutun. Bıçak çit veya çalılıklarda gizli kalmış güç kabloları ile kabloları kaza ile kesebilir.
- Kulak tıkacı takın. Yeterli koruyucu ekipman işitme kaybı riskini azaltır.
- Bıçak gizli tellerle temas edebileceği için, çalı budama makinesini sadece yalıtılmış kavrama yüzeyinden tutun. Bıçaklarının "akımlı" bir telle temas etmesi, çalı budama makinesinin açtıkları metal kısımlarının "akımlı" olmasına ve operatörün elektrik çarpmasına maruz kalmasına neden olabilir.
- Gövdenizin tamamını bıçaktan uzakta tutun. Bıçaklar hareket halindeyken kesilmiş malzemeyi çıkarmayın ya da kesilecek malzemeyi tutmayın. Bıçaklar, makine durdurulduktan sonra da kısa bir süre dönmeye devam eder. Ürünü kullanırken bir anlık dikkatsizlik ciddi kişisel yaralanmaya yol açabilir.
- Sıkışan malzemeyi temizlerken veya çit düzelticiye bakım yaparken tüm güç anahtarlarının kapalı olduğundan ve akü grubunun çıkarıldığından ya da bağlantısının kesildiğinden emin olun. Çalı budama makinesinin sıkışmış materyali çıkarırken veya servis sırasında beklenmedik bir şekilde çalışması ciddi kişisel yaralanmalara yol açabilir.

- Çalı budama makinesini tutamağından tutarak, bıçak durmuşken taşıyın ve güç düğmesine basmamaya dikkat edin. Çalı budama makinesinin düzgün taşınması istemeden çalıştırma ve sonucunda bıçaklardan kaynaklanan yaralanma riskini azaltır.
- Çalı budama makinesini tasir ya da depolarken her zaman bıçak koruyucusu takın. Çalı budama makinesinin düzgün kullanılması bıçaklardan kaynaklanan yaralanma riskini azaltır.

EK GÜVENLİK UYARILARI

- Özellikler tablosunda belirtilen kesme kapasitesine kıyasla kesme bıçağıyla beslemek için açıkça çok geniş olan gövdeleri ve ince dalları kesmeye çalışmayın. Büyük gövdeleri budamak için güç destekli olmayan bir el testeresi veya budama testeresi kullanın.
- Ürünü çalıştırırken mutlaka iki elinizle her iki kulbundan sıkıca tutun.
- Her kullanım öncesi makineyi inceleyin. Tüm kontrollerin doğru çalıştığını kontrol edin. Gevşemiş tespit elemanları, yakıt sızıntıları olup olmadığını kontrol edin. Tüm korkuluk ve tutamakların yerlerinde bulduklarından emin olun. Kullanmadan önce hasarlı parçaları değiştirin. PİL sızıntı olup olmadığını kontrol edin.
- Çalılarda tel örgü ve gizli kablolar gibi yabancı nesnelere olup olmadığını kontrol edin.
- Ürün yalnızca yerde kullanılmamalıdır ve merdivende veya herhangi bir başka sabit olmayan destek üzerinde kullanılmamalıdır.
- Kötü aydınlatmalı koşullarda kullanmayın. Ürünü gün ışığında ya da iyi yapay aydınlatmayla kullanın. Kullanıcının potansiyel tehlikeleri belirlemesi için çalışma alanını net olarak görmesi gerekir.
- Kulak tıkaçı kullanımı uyarıları (sesler veya alarmlar) duyma kabiliyetinizi azaltır. Çalışma alanının çevresindeki ve içindeki potansiyel tehlikelere karşı dikkatli olun. Dikkatinizi dağıtacak şeylerden kaçınım ve yaptığınız işe konsantre olun.
- Hareketli parçalara temastan kaynaklanabilecek yaralanma riskini azaltmak için her zaman ürünü kapatın ve pil paketini çıkarın. Her ikisini de soğumaya bırakın. Tüm hareketli parçaların tamamen durduğundan emin olun:
 - ve kesici aksamın konumunu ayarlamaya başlamadan önce
 - servis yapmadan önce
 - tıkanıklığı temizlemeden önce
 - ürünü kontrol etme, temizleme ve ürün üzerinde çalışmadan önce
 - aksesuarları değiştirmeden önce
 - ürünün yanından ayrılmadan önce
 - bir cisme çarptıktan sonra, hasar incelemesinde bulunmadan önce
 - bakım işleminden önce
 - eğer ürünler anormal şekilde titremeye başlarsa

- Ürünü yoğun çalı içinde zorla çalıştırmayın. Aksi hâlde bıçakların körelmesine ve yavaşlamasına neden olabilir. Eğer bıçaklar yavaşlarsa hızını düşürün.
- Eger ürün düşerse, ağır darbe alırsa veya anormal şekilde titremeye başlarsa ürünü derhal durdurun ve hasara karsi inceleyin veya titresimin nedenini belirleyin. Hasarlı her tür parça yetkili servis merkezi tarafından uygun şekilde onarılmalı veya değiştirilmelidir.
- Ürünü yalnızca 0 °C ve 40 °C arası sıcaklıklarda çalıştırın.
- Ürünü ortam sıcaklığının 0 °C ve 40 °C arasında olduğu bir yerde muhafaza edin.
- Ürünün uzun süre kullanılması nedeniyle yaralanmalar meydana gelebilir veya kötüleşebilir. Herhangi bir alet uzun süre kullanıldığında düzenli molalar verdiğinizden emin olun.

PİL İÇİN EK GÜVENLİK UYARILARI

- Kısa devreden kaynaklanacak yangın, yaralanma ve maddi hasar risklerini azaltmak için ürünü, pil paketini ya da şarj cihazını asla bir sıvıya batırmayın, ya da içine sıvı girmesine izin vermeyin. Tuzlu su, belirli kimyasallar, ağartıcı madde veya ağartıcı madde içeren ürünler gibi korozif veya iletken sıvılar kısa devreye neden olabilir.
- PİL paketini 10 °C ve 38 °C arasındaki ortam sıcaklığında şarj edin.
- PİL paketini ortam sıcaklığının 0 °C ve 20 °C arasında olduğu bir yerde muhafaza edin.
- PİL paketini ortam sıcaklığının 0 °C ve 40 °C arasında olduğu bir yerde kullanın.

TAŞIMA VE DEPOLAMA

- Ürünü depolamadan, pil paketini çıkarın. Tüm hareketli parçaların tamamen durduğundan emin olun. Ürünü kaldırmadan veya taşımadan önce ürünün ve akü grubunun soğumasını bekleyin.
- Üründeki tüm yabancı maddeleri temizleyin. Ürünü pil paketi takılıyken ürünü saklamayın veya taşımayın. PİL takımını çıkartın ve ayrıca sabitleyin. Çocukların erişemeyeceği serin, kuru ve iyi havalandırılan bir yerde depolayın. Bahçe kimyasalları ve buz çözücü tuzlar gibi korozif maddelerden uzak tutun. Ürünü açık havada depolamayın.
- Ürünü depolamadan önce ya da nakliye sırasında bıçak kılıfını takın.
- Taşınacağı zaman insanların yaralanmasını veya ürünün zarar görmesini önlemek amacıyla ürünü hareket etmemesi veya düşmemesi için sabitleyin.

LİTYUM BATARYALARIN TAŞINMASI

- Bataryayı yerel ve ulusal hükümlere ve yönetmeliklere uygun şekilde taşıyın.
- Bataryalar üçüncü bir şahıs tarafından taşındığında ambalaj ve etiket üzerindeki tüm özel koşullara uyun. Açıkta ki konnektörleri yalıtık, iletken olmayan başlıklar veya bant ile koruyarak hiçbir bataryanın taşıma

sirasında diğer bataryalarla veya iletken malzemelerle temas etmediğinden emin olun. Çatlak veya sızdıran bataryaları tasimayın. Ek tavsiye için nakliye şirketi ile birlikte kontrol edin.

BAKIM

- Sadece orijinal üreticinin yedek parçalarını, aksesuarlarını ve ek parçalarını kullanın. Aksine davranış olası yaralanmaya yol açabilir, yetersiz performansa neden olabilir ve garantinizin geçersiz olmasıyla sonuçlanabilir.
- Servis çalışması en yüksek düzeyde dikkat ve bilgi gerektirir ve sadece nitelikli bir servis teknisyeni tarafından yapılmalıdır. Ürünün servis işlemlerini sadece yetkili bir servis merkezinde yaptırın.
- Bıçaklar keskindir. Bedensel yaralanmaları önlemek için, temizleme ve yağlama sırasında ya da bıçak kılıfını takıp çıkarırken azami dikkat gösterin.
- Ürünü depolamadan, pil paketini çıkarın. Her ikisini de soğumaya bırakın. Temizlik ya da bakım işlemine başlamadan önce hareketli tüm parçaların tamamen durduğundan emin olun.
- Sadece bu kilavuzda açıklandığı şekilde ayar veya onarım yapabilirsiniz. Ürün üzerinde yapılacak diğer onarımları sadece yetkili bir servis merkezinde yaptırın.
- Her kullanım sonrası ürünün gövdesini ve kulplarını yumuşak ve kuru bir bezle temizleyin. Hasarlı her tür parça yetkili servis merkezi tarafından uygun şekilde onarılmalı veya değiştirilmelidir.
- Her kullanımdan sonra bıçaklardaki kalıntıları sert bir fırçayla temizleyin ve ardından, bıçak koruyucuyu tekrar takmadan önce dikkatlice, paslanma önleyici bir yağlama maddesi sürün. Eşit bir dağılım uygulamak için önerilen paslanma önleyici bir yağlama yağı kullanın ve bıçaklarla temasın kaynaqlanacak yaralanma riskini azaltın. Uygun püskürtme ürünü hakkında bilgi için yetkili bir servis merkezine danışın.
- Her kullanımdan önce ve sık aralıklarla tüm somun, cıvata ve vidaların uygun sıkılıkta olduğunu ve bu şekilde ürünün emniyetli kullanım koşullarına sahip olduğunu kontrol edin. Hasarlı her tür parça yetkili servis merkezi tarafından uygun şekilde onarılmalı veya değiştirilmelidir.

ÜRÜNÜNÜZÜ TANIYIN

Bkz. sayfa 113.

1. Bıçak muhafazası
2. Ön kulp
3. Ön tetik
4. Tetik
5. Arka kulp
6. Bıçak
7. HEDGESWEEP kalinti süpürü
8. Bıçak koruyucusu
9. Kullanım kilavuzu
10. Pil
11. Sarj cihazı

SEMBOLLER



Güvenlik ikazı



Ürünü çalıştırmadan önce bütün talimatları okuyup anlayın. Tüm uyarı ve güvenlik talimatlarına uyun.



Göz, kulak, kafa ve el koruyucu ekipman kullanın.



Kaymaz, ağır iş eldiveni giyin.



Ürünü kullanırken kaymaz güvenlik ayakkabısı giyin.



Ciddi yaralanmaları önlemek için kesme bıçaklarına dokunmayın.



Ürünü çalıştırırken her zaman iki elle tutun.



Ürünü yağmura veya nemli kokuşullara maruz bırakmayın.



Fırlayan ve sıçrayan nesnelere dikkat edin. Üçüncü sahipleri, özellikle çocukları ve evcil hayvanları çalışma alanından en az 15 m uzakta tutun.



Ürün üzerinde herhangi bir çalışma yapmaya başlamadan önce batarya takimini çıkartın.



Güvenceli ses gücü seviyesi



Atık pilleri, atık elektrikli ve elektronik ekipmanı, sınıflandırılmamış belediye atığı olarak bertaraf etmeyin. Atık piller ile atık elektrikli ve elektronik ekipmanlar ayrıca toplanmalıdır. Atık pil, akü ve ışık kaynakları ekipmandan çıkarılmalıdır. Yerel otorite veya satıcıdan geri dönüşüm tavsiyesi alın ve toplama noktasını öğrenin. Yerel düzenlemelere göre perakendecilerin atık piller ile atık elektrikli ve elektronik ekipmanı ücretsiz olarak geri alma yükümlülüğü olabilir. Atık bataryaların yanı sıra atık elektrikli ve elektronik ekipmanların yeniden kullanımı ve geri dönüşümüne katkıınız, hammadde talebini azaltmaya yardımcı olur. Özellikle lityum içeren atık piller ile atık elektrikli ve elektronik ekipmanlar, çevreye uyumlu bir şekilde bertaraf edilmediği takdirde çevre ve insan sağlığını olumsuz yönde etkileyebilecek değerli ve geri dönüştürülebilir malzemeler içerir. Varsa, atık ekipmandaki kişisel verileri silin.

Κατά τον σχεδιασμό του μπουρνούροφάιδου μπαταρίας δόθηκε ιδιαίτερη προτεραιότητα στην ασφάλεια, την απόδοση και την αξιοπιστία του.

ΠΡΟΟΡΙΖΟΜΕΝΗ ΧΡΗΣΗ

Το μπουρνούροφάιδο μπαταρίας προορίζεται για την κοπή και το κλάδεμα θάμνων, δενδρυλλίων και παρόμοιας βλάστησης.

Το προϊόν έχει σχεδιαστεί για οικιακή χρήση. Το προϊόν προορίζεται για χρήση μόνο σε εξωτερικούς χώρους, σε καλά φωτισμένο περιβάλλον χωρίς υγρασία. Το προϊόν δεν προορίζεται για την κοπή θάμνων, δενδρυλλίων και παρόμοιας βλάστησης με διάμετρο μεγαλύτερη από την ικανότητα κοπής του.

Μην χρησιμοποιείτε το εργαλείο για άλλες εργασίες.

ΓΕΝΙΚΕΣ ΠΡΟΕΙΔΟΠΟΙΗΣΕΙΣ ΑΣΦΑΛΕΙΑΣ ΠΡΟΪΟΝΤΟΣ

⚠ ΠΡΟΕΙΔΟΠΟΙΗΣΗ! Διαβάστε προσεκτικά όλες τις προειδοποιήσεις, οδηγίες και προδιαγραφές που παρέχονται με το εργαλείο και ανατρέξτε στις εικόνες. Τυχόν παράβλεψη των παρακάτω οδηγιών μπορεί να επιφέρει ηλεκτροπληξία, πυρκαγιά ή και σοβαρό τραυματισμό.

Φυλάξτε αυτές τις προειδοποιήσεις και οδηγίες για να μπορέσετε να ανατρέξετε μελλοντικά.

Ο όρος «ηλεκτρικό εργαλείο» στις προειδοποιήσεις αναφέρεται στο χειροκίνητο (με καλώδιο) προϊόν ή στο προϊόν που λειτουργεί με μπαταρία (χωρίς καλώδιο).

ΑΣΦΑΛΕΙΑ ΤΟΥ ΧΩΡΟΥ ΕΡΓΑΣΙΑΣ

- **Φροντίστε να διατηρείτε το χώρο εργασίας σας καθαρό και καλά φωτισμένο.** Χώροι με υπερβολικά αντικείμενα ή μη φωτισμένοι προκαλούν ατυχήματα.
- **Μη χρησιμοποιείτε ηλεκτρικά εργαλεία σε εκρηκτικό περιβάλλον, παραδείγματος χάρη κοντά σε εύφλεκτα υγρά, αέρια ή σκόνη.** Οι σπινθίρες που προέρχονται από τα ηλεκτρικά εργαλεία μπορούν να τα αναφλέξουν ή να τα κάνουν να εκραγούν.
- **Κρατάτε τα παιδιά, τους επισκέπτες και τα κατοικίδια ζώα μακριά όταν χρησιμοποιείτε κάποιο ηλεκτρικό εργαλείο.** Θα μπορούσαν να αποσπάσουν την προσοχή σας και να σας κάνουν να χάσετε τον έλεγχο του εργαλείου.

ΗΛΕΚΤΡΙΚΗ ΑΣΦΑΛΕΙΑ

- **Το φως του ηλεκτρικού εργαλείου πρέπει να ταιριάζει στην πρίζα.** Μην τροποποιήσετε ποτέ το φως. Μην χρησιμοποιείτε ποτέ μετασχηματιστές με ηλεκτρικά εργαλεία που είναι γειωμένα. Θα αποφύγετε έτσι τον κίνδυνο ηλεκτροπληξίας.
- **Αποφύγετε κάθε επαφή με γειωμένες επιφάνειες (δηλαδή σωληνώσεις, καλοριφέρ, κουζίνες, ψυγεία, κλπ).** Ο κίνδυνος ηλεκτροπληξίας αυξάνεται αν κάποιο

τμήμα του σώματός σας βρίσκεται σε επαφή με γειωμένες επιφάνειες.

- **Μην εκθέτετε τα ηλεκτρικά εργαλεία στη βροχή ή την υγρασία.** Ο κίνδυνος ηλεκτροπληξίας αυξάνεται εάν εισέλθει νερό στο ηλεκτρικό εργαλείο.
- **Φροντίστε να διατηρείτε το καλώδιο παροχής ρεύματος σε καλή κατάσταση.** Μην κρατάτε ποτέ το εργαλείο σας από το καλώδιο παροχής ρεύματος και μην τραβήξετε ποτέ το καλώδιο για να το αποσυνδέσετε. Κρατάτε το καλώδιο παροχής ρεύματος μακριά από οποιαδήποτε πηγή θερμότητας, λάδια, αιχμηρά αντικείμενα και κινούμενα στοιχεία. Ο κίνδυνος ηλεκτροπληξίας αυξάνεται αν το καλώδιο παροχής ρεύματος υποστεί ζημιά ή μπλεχτεί.
- **Όταν εργάζεστε σε εξωτερικό χώρο, να χρησιμοποιείτε αποκλειστικά επιμηκύνσεις που έχουν σχεδιαστεί για εξωτερική χρήση.** Θα αποφύγετε έτσι τον κίνδυνο ηλεκτροπληξίας.
- **Εάν δεν μπορείτε να αποφύγετε τη χρήση της συσκευής σε υγρό περιβάλλον, συνδεθείτε σε μια παροχή ρεύματος εξοπλισμένη με διάταξη παραμένουτος ρεύματος (DDR).** Η χρήση διάταξης παραμένουτος ρεύματος DDR περιορίζει τον κίνδυνο ηλεκτροπληξίας.

ΠΡΟΣΩΠΙΚΗ ΑΣΦΑΛΕΙΑ

- **Παραμένετε σε επαγρύπνηση, κοιτάτε καλά τι κάνετε και επικαλεστείτε τη λογική σας όταν χρησιμοποιείτε ηλεκτρικά εργαλεία.** Μη χρησιμοποιείτε το ηλεκτρικό εργαλείο σας όταν είστε κουρασμένος/η, υπό την επήρεια οινοπνεύματος ή ναρκωτικών ή αν παίρνετε φάρμακα. Μην ξεχνάτε ποτέ πως ένα δευτερόλεπτο απροσεξίας αρκεί για να τραυματιστείτε σοβαρά.
- **Χρησιμοποιείτε προστατευτικές διατάξεις.** Προστατεύετε πάντα τα μάτια σας. Ανάλογα με τις συνθήκες, φορέστε επίσης μάσκα κατά της σκόνης, αντιολισθητικά υποδήματα, προστατευτικό κράνος ή ωασιπίδες για να αποφύγετε τον κίνδυνο σοβαρού σωματικού τραυματισμού.
- **Αποφύγετε τα τυχαία ξεκινήματα.** Βεβαιωθείτε ότι ο διακόπτης βρίσκεται στη θέση «διακοπή» πριν συνδέσετε το εργαλείο σας με πρίζα ή τοποθετήσετε την μπαταρία, καθώς και όταν πιάνετε ή μεταφέρετε το εργαλείο. Για να αποφύγετε κάθε κίνδυνο ατυχημάτων, μην μετακινείτε το εργαλείο σας με το δάκτυλο επάνω στη σκανδάλη και μην το συνδέετε / μην τοποθετείτε την μπαταρία όταν ο διακόπτης βρίσκεται στη θέση «λειτουργία».
- **Αφαιρέστε τα κλειδιά σύσφιξης πριν θέσετε το εργαλείο σας σε λειτουργία.** Ένα κλειδί σύσφιξης που θα έχει μείνει συνδεδεμένο σε κάποιο κινούμενο στοιχείο του εργαλείου μπορεί να προκαλέσει σοβαρό σωματικό τραυματισμό.

- Φροντίστε να διατηρείτε πάντα την ισορροπία σας. Σταθείτε καλά στα πόδια σας και μην τεντώνετε τα χέρια σας πολύ μακριά. Μια σταθερή θέση εργασίας σας επιτρέπει να ελέγξετε καλύτερα το εργαλείο σας σε περίπτωση απρόβλεπτου συμβάντος.
- Φοράτε κατάλληλα ρούχα. Μην φοράτε φαρδιά ρούχα ή κοσμήματα. Κρατάτε τα μαλλιά και τα ρούχα σας μακριά από τα κινούμενα μέρη του εργαλείου. Τα φαρδιά ρούχα, τα κοσμήματα και τα μακριά μαλλιά μπορούν να πιαστούν στα κινούμενα τμήματα.
- Αν το εργαλείο σας είναι εξοπλισμένο με διάταξη αναρρόφησης της σκόνης, φροντίστε αυτή να τοποθετείται και να χρησιμοποιείται σωστά. Θα αποφεύγετε έτσι τον κίνδυνο ατυχημάτων.
- Ακόμη και όταν εξοικειωθείτε με τη χρήση του εργαλείου, ποτέ μην αγνοείτε τους κανόνες ασφαλούς χρήσης τους. Τυχόν απροσεξία, μπορεί να επιφέρει σοβαρό τραυματισμό μέσα σε δευτερόλεπτα.
- Χρησιμοποιήστε το ηλεκτρικό σας εργαλείο, τα εξαρτήματά του, τις κατασβιδόλαμες, κλπ. σύμφωνα με τις παρούσες οδηγίες χρήσης, λαμβάνοντας υπόψη τις συνθήκες χρήσης καθώς και τις επιθυμητές εφαρμογές. Προς αποφυγήν επικίνδυνων καταστάσεων, χρησιμοποιείτε το ηλεκτρικό εργαλείο σας μόνο για τις εργασίες για τις οποίες έχει σχεδιαστεί.
- Διατηρείτε τις λαβές και τις επιφάνειες στήριξης στεγνές, καθαρές και ελεύθερες ελαίων ή λιπαντικών ουσιών. Τυχόν γλιστερές λαβές ή επιφάνειες στήριξης δεν επιτρέπουν τον ασφαλή χειρισμό και έλεγχο του εργαλείου σε έκτακτες καταστάσεις.

ΣΥΣΤΑΣΕΙΣ ΑΣΦΑΛΕΙΑΣ ΣΧΕΤΙΚΑ ΜΕ ΤΑ ΕΠΑΝΑΦΟΡΤΙΖΟΜΕΝΑ ΕΡΓΑΛΕΙΑ

ΧΡΗΣΗ ΚΑΙ ΣΥΝΤΗΡΗΣΗ ΤΩΝ ΗΛΕΚΤΡΙΚΩΝ ΕΡΓΑΛΕΙΩΝ

- Μην ζορίζετε το εργαλείο σας. Χρησιμοποιήστε το κατάλληλο για την εργασία που θέλετε να εκτελέσετε εργαλείο. Το ηλεκτρικό εργαλείο σας θα είναι αποτελεσματικότερο και ασφαλέστερο αν το χρησιμοποιήσετε στην ταχύτητα για την οποία έχει σχεδιαστεί.
- Μην χρησιμοποιήσετε το ηλεκτρικό εργαλείο εάν δεν μπορείτε να το θέσετε σε λειτουργία και εκτός λειτουργίας με το διακόπτη. Ένα εργαλείο που δεν μπορεί να τεθεί σωστά σε λειτουργία και εκτός λειτουργίας είναι επικίνδυνο και πρέπει οπωσδήποτε να επισκευαστεί.
- Αποσυνδέετε το φως από την παροχή ρεύματος και/ή αφαιρέστε την μπαταρία, εφόσον αφαιρείται, προτού προβείτε σε ρυθμίσεις, αλλαγή εξαρτημάτων ή αποθηκεύσετε τα ηλεκτρικά εργαλεία. Θα μειώσετε έτσι τον κίνδυνο ακούσιου ξεκινήματος του εργαλείου.
- Τακτοποιείτε τα ηλεκτρικά εργαλεία σας μακριά από τα παιδιά. Μην αφήνετε άτομα που δε γνωρίζουν το εργαλείο ή που δεν έχουν λάβει γνώση των συστάσεων ασφαλείας να χρησιμοποιούν το εργαλείο. Τα ηλεκτρικά εργαλεία είναι επικίνδυνα στα χέρια άπειρων ατόμων.
- Φροντίστε για τη συντήρηση των ηλεκτρικών εργαλείων και των εξαρτημάτων τους. Ελέγξτε την ευθυγράμμιση των κινητών τμημάτων. Βεβαιωθείτε πως κανένα εξάρτημα δεν έχει σπάσει. Ελέγξτε το μοντάρισμα και οποιοδήποτε άλλο στοιχείο θα μπορούσε να επηρεάσει τη λειτουργία του εργαλείου. Αν κάποια τμήματα έχουν υποστεί ζημιά, δώστε το εργαλείο σας για επιδιόρθωση πριν το χρησιμοποιήσετε. Πολλά ατυχήματα οφείλονται σε κακή συντήρηση των εργαλείων.
- Φροντίστε να διατηρείτε τα εργαλεία σας καθαρά και ακονισμένα. Ένα καλά ακονισμένο και καθαρό εργαλείο κοπής κινδυνεύει λιγότερο να εμπλακεί και θα μπορείτε ευκολότερα να διατηρήσετε τον έλεγχό του.
- Φορτίζετε την μπαταρία του εργαλείου σας αποκλειστικά με το φορτιστή που συνιστά ο κατασκευαστής. Ένας φορτιστής κατάλληλος για έναν ορισμένο τύπο μπαταρίας μπορεί να προκαλέσει πυρκαγιά αν χρησιμοποιηθεί με μπαταρία άλλου τύπου.
- Μόνον ένας συγκεκριμένος τύπος μπαταρίας πρέπει να χρησιμοποιείται με κάθε επαναφορτιζόμενο εργαλείο. Η χρήση οποιασδήποτε άλλης μπαταρίας μπορεί να προκαλέσει πυρκαγιά.
- Όταν η μπαταρία δεν χρησιμοποιείται, κρατάτε την μακριά από μεταλλικά αντικείμενα όπως συνδετήρες, κέρματα, κλειδιά, βίδες, πρόκες ή οποιοδήποτε άλλο αντικείμενο που θα μπορούσε να συνδέσει τις επαφές μεταξύ τους. Το βραχυκύκλωμα των επαφών της μπαταρίας μπορεί να προκαλέσει εγκαύματα ή πυρκαγιάς.
- Αποφύγετε κάθε επαφή με το υγρό μπαταρίας σε περίπτωση διαρροής της μπαταρίας λόγω ακατάλληλης χρήσης. Αν συμβεί αυτό, ξεπλύνετε αμέσως την εν λόγω ζώνη με άφθονο καθαρό νερό. Αν πέσει στα μάτια σας, συμβουλευθείτε επίσης γιατρό. Το υγρό που διαρρέει από μια μπαταρία μπορεί να προκαλέσει ερεθισμούς ή εγκαύματα.
- Μην χρησιμοποιείτε μπαταρίες ή εργαλεία που φέρουν φθορές ή έχουν υποστεί μετατροπές. Μπαταρίες με φθορές ή τροποποιήσεις μπορεί να προκαλέσουν αντικανονική συμπεριφορά του εργαλείου με αποτέλεσμα την πρόκληση πυρκαγιάς, έκρηξης ή τραυματισμού.
- Μην εκθέτετε τις μπαταρίες ή το εργαλείο σε φωτιά ή υπερβολικά υψηλή θερμοκρασία. Τυχόν έκθεση σε φωτιά ή θερμοκρασία μεγαλύτερη των 130 °C μπορεί να επιφέρει έκρηξη.
- Ακολουθήστε όλες τις οδηγίες για τη φόρτιση της μπαταρίας και μη φορτίζετε τη μπαταρία ή το εργαλείο εκτός του συνιστώμενου στις οδηγίες εύρους θερμοκρασίας. Στην περίπτωση που η φόρτιση πραγματοποιείται με ασφαλισμένο τρόπο ή σε θερμοκρασίες εκτός των συνιστώμενων, η μπαταρία μπορεί να υποστεί φθορές και να αυξηθεί ο κίνδυνος πυρκαγιάς.

- Οι επιδιορθώσεις πρέπει να πραγματοποιούνται από ειδικευμένο τεχνικό και μόνο με γνήσια ανταλλακτικά. Θα μπορείτε έτσι να χρησιμοποιήσετε το ηλεκτρικό σας εργαλείο με πλήρη ασφάλεια.
- Ποτέ μην επισκευάζετε μπαταρίες που φέρουν φθορές. Η επισκευή των μπαταριών πρέπει να πραγματοποιείται μόνο από τον κατασκευαστή ή εξουσιοδοτημένους παροχείς σέρβις.

ΠΡΟΕΙΔΟΠΟΙΗΣΕΙΣ ΑΣΦΑΛΕΙΑΣ ΜΠΟΡΝΤΟΥΡΟΨΑΛΙΔΟΥ ΜΠΑΤΑΡΙΑΣ

- Αποφύγετε την χρήση του μπορντουροψαλιδου σε κακές καιρικές συνθήκες, ιδίως όταν υπάρχει κίνδυνος κεραυνών. Αυτό μειώνει τον κίνδυνο να χτυπηθείτε από κεραυνό.
- Κρατήστε όλα τα καλώδια ρεύματος και τα λοιπά καλώδια μακριά από την περιοχή κοπής. Τα καλώδια ρεύματος ή τα λοιπά καλώδια μπορεί να είναι κρυμμένα σε φράκτες ή θάμνους και μπορεί να κοπούν κατά λάθος από τη λεπίδα.
- Φοράτε προστατευτικά ακοής. Ο κατάλληλος προστατευτικός εξοπλισμός θα μειώσει τον κίνδυνο απώλειας ακοής.
- Κρατάτε το μπορντουροψαλίδο μόνο από τις μονωμένες επιφάνειες λαβής, διότι η αλυσίδα του πριονιού μπορεί να έρθει σε επαφή με κρυμμένη καλωδίωση. Εάν οι λεπίδες κοπής έρθουν σε επαφή με γυμνό καλώδιο, ενδέχεται να καταστήσουν τα εκτεθειμένα μεταλλικά τμήματα του μπορντουροψαλιδου αγώγιμα και να προκαλέσει ηλεκτροπληξία στον χειριστή.
- Κρατήστε όλα τα μέρη του σώματός σας μακριά από τη λεπίδα. Μην αφαιρείτε το κομμένο υλικό ή κρατήστε το υλικό που πρόκειται να κοπεί όταν οι λεπίδες κινούνται. Οι λεπίδες συνεχίζουν να περιστρέφονται και αφού κλείσει ο διακόπτης λειτουργίας. Μια στιγμή απροσεξίας κατά τη λειτουργία του μπορντουροψαλιδου μπορεί να προκαλέσει σοβαρούς τραυματισμούς.
- Κατά την απομάκρυνση μπλοκαρισμένου υλικού ή τη συντήρηση του μπορντουροψαλιδου, βεβαιωθείτε ότι όλοι οι διακόπτες λειτουργίας είναι απενεργοποιημένοι και ότι η μπαταρία έχει αφαιρεθεί ή αποσυνδεθεί. Η απροσδόκητη ενεργοποίηση του μπορντουροψαλιδου κατά τον καθαρισμό μπλοκαρισμένου υλικού ή το σέρβις μπορεί να οδηγήσει σε σοβαρό ατομικό τραυματισμό.
- Μεταφέρετε το μπορντουροψαλίδο από τη λαβή με τη λεπίδα σταματημένη και προσέχοντας να μην ανοίξει κάποιος διακόπτης. Η σωστή μεταφορά του μπορντουροψαλιδου θα μειώσει τον κίνδυνο ακούσιας εκκίνησής του και, κατά συνέπεια, του ατομικού τραυματισμού από τις λεπίδες.
- Όταν μεταφέρετε ή αποθηκεύετε το μπορντουροψαλίδο, τοποθετείτε πάντα το κάλυμμα της λεπίδας. Η σωστή μεταφορά του μπορντουροψαλιδου θα μειώσει τον ατομικό τραυματισμό από τις λεπίδες.

ΠΡΟΣΘΕΤΕΣ ΠΡΟΕΙΔΟΠΟΙΗΣΕΙΣ ΑΣΦΑΛΕΙΑΣ

- Μην επιχειρήσετε να κόψετε μίσχους ή κλωνάρια μεγαλύτερα από την ικανότητα κοπής που αναφέρεται στον πίνακα προδιαγραφών ή που είναι προφανώς πολύ μεγάλα για να περάσουν στη λεπίδα κοπής. Χρησιμοποιήστε χειροκίνητο πριόνι ή ένα πριόνι κλαδέματος για να κόψετε μεγάλους βλαστούς.
- Κατά τη λειτουργία του προϊόντος, κρατήστε το σταθερά με τα δύο χέρια από τις δύο λαβές.
- Ελέγξτε το προϊόν πριν από κάθε χρήση. Ελέγξτε ότι όλα τα χειριστήρια λειτουργούν σωστά. Ελέγξτε για χαλαρούς συνδετήρες, κλπ. Βεβαιωθείτε ότι όλοι οι προφυλακτήρες και οι λαβές είναι σωστά και ασφαλώς τοποθετημένοι. Αντικαταστήστε τμήμα που φέρουν φθορές πριν από την χρήση. Ελέγξτε για διαρροές μπαταρίας.
- Ελέγξτε τους φράκτες και τους θάμνους για παρουσία ξένων αντικειμένων, όπως συρματοπλέγματα και κρυμμένα καλώδια.
- Το προϊόν μπορεί να χρησιμοποιηθεί μόνο στο επίπεδο του εδάφους και όχι επάνω σε σκάλα ή άλλο μη σταθερό στήριγμα.
- Μη λειτουργείτε το μηχάνημα σε χώρο με ανεπαρκή φωτισμό. Χρησιμοποιείτε το μηχάνημα μόνο σε χώρο με φυσικό φωτισμό ή καλό τεχνητό φωτισμό. Ο χειριστής χρειάζεται να έχει σαφή εικόνα του χώρου εργασίας για να εντοπίσει τους πιθανούς κινδύνους.
- Η χρήση προστατευτικών ακοής μειώνει την ικανότητα ακρόασης προειδοποιήσεων (κραυγές ή συναγερμούς). Δώστε ιδιαίτερη προσοχή στους πιθανούς κινδύνους γύρω και μέσα στον χώρο εργασίας. Φροντίστε να μην αποσπάται η προσοχή σας και να επικεντρώνεστε πάντα στην εργασία σας.
- Για να μειώσετε τον κίνδυνο τραυματισμού που σχετίζεται με την επαφή με κινούμενα μέρη, πάντα να απενεργοποιείτε το προϊόν και να αφαιρείτε τη συστοιχία μπαταρίας. Αφήστε και τα δύο να κρυώσουν. Βεβαιωθείτε ότι όλα τα κινούμενα μέρη έχουν σταματήσει εντελώς να κινούνται:
 - πριν ρυθμίσετε τη θέση εργασίας του μέσου κοπής
 - πριν από την επισκευή
 - πριν από τον καθαρισμό απόφραξης
 - πριν από κάθε έλεγχο, καθαρισμό ή επέμβαση στο προϊόν
 - πριν από την αλλαγή εξαρτημάτων
 - πριν απομακρυνθείτε από το προϊόν
 - πριν ελέγξετε για τυχόν ζημιές μετά από χτύπημα ξένου αντικείμενου
 - πριν την εκτέλεση συντήρησης
 - εάν το μηχάνημα αρχίσει να δονείται ασυνήθιστα
- Μην πιέζετε το μηχάνημα μέσα σε πυκνούς θάμνους. Μπορεί να σφηνώσουν οι λεπίδες και να επιβραδυνθεί

ή λειτουργία του μηχανήματος. Εάν οι λεπίδες επιβραδυνθούν, μειώστε τον ρυθμό σας.

- Εάν το προϊόν πέσει κάτω, υποστεί δυνατό χτύπημα ή αρχίσει να δονείται ασυνήθιστα, απενεργοποιήστε αμέσως το προϊόν και ελέγξτε για τυχόν βλάβη ή εντοπίστε την αιτία της δόνησης. Οποιαδήποτε βλάβη εξαρτήματος θα πρέπει να επισκευάζεται ή να εκτελείται αντικατάσταση από εξουσιοδοτημένο κέντρο επισκευών.
- Χρησιμοποιείτε το προϊόν μόνο σε θερμοκρασίες μεταξύ 0 °C και 40 °C.
- Αποθηκεύστε το προϊόν σε χώρο όπου η θερμοκρασία περιβάλλοντος κυμαίνεται μεταξύ 0 °C και 40 °C.
- Οι τραυματισμοί μπορεί να προκληθούν ή να επιδεινωθούν από την παρατεταμένη χρήση του προϊόντος. Όταν χρησιμοποιείτε το προϊόν για παρατεταμένες περιόδους, φροντίστε να κάνετε τακτικά διαλείμματα.

ΕΠΙΠΡΟΣΘΕΤΕΣ ΠΡΟΕΙΔΟΠΟΙΗΣΕΙΣ ΑΣΦΑΛΕΙΑΣ ΜΠΑΤΑΡΙΑΣ

- Για ελαχιστοποίηση του κινδύνου φωτιάς, τραυματισμών και καταστροφής του προϊόντος λόγω βραχυκυκλώματος, ποτέ μην βυθίζετε το προϊόν, τη συστοιχία της μπαταρίας ή τον φορτιστή σε υγρά και μην αφήνετε τυχόν υγρά να εισχωρήσουν σε αυτά. Διαβρωτικά ή αγωγίμα υγρά, όπως το θαλάσσιο νερό, κάποια βιομηχανικά χημικά, το χλώριο, προϊόντα που περιέχουν χλώριο, κ.α., μπορούν να προκαλέσουν βραχυκύκλωμα.
- Φορτίζετε τη μπαταρία σε χώρο όπου η θερμοκρασία περιβάλλοντος κυμαίνεται μεταξύ 10 °C και 38 °C.
- Αποθηκεύετε τη μπαταρία σε χώρο όπου η θερμοκρασία περιβάλλοντος κυμαίνεται μεταξύ 0 °C και 20 °C.
- Αποθηκεύετε τη μπαταρία σε χώρο όπου η θερμοκρασία περιβάλλοντος κυμαίνεται μεταξύ 0 °C και 40 °C.

ΜΕΤΑΦΟΡΑ ΚΑΙ ΑΠΟΘΗΚΕΥΣΗ

- Απενεργοποιήστε το μηχανήμα και αφαιρέστε τη μπαταρία. Βεβαιωθείτε ότι όλα τα κινούμενα μέρη έχουν σταματήσει εντελώς να κινούνται. Απενεργοποιήστε το προϊόν, αφαιρέστε τη μπαταρία και αφήστε και τα δύο να κρυώσουν πριν από την αποθήκευση ή τη μεταφορά.
- Καθαρίστε το προϊόν από όλα τα ξένα σώματα. Μην αποθηκεύετε και μην μεταφέρετε το προϊόν με τοποθετημένη τη συστοιχία μπαταρίας. Αφαιρέστε τη μπαταρία και φυλάξτε τη χωριστά. Αποθηκεύστε το προϊόν σε δροσερό, στεγνό και καλά αεριζόμενο χώρο, μη προσιτό από παιδιά. Κρατήστε το προϊόν μακριά από διαβρωτικά μέσα, όπως χημικά προϊόντα κήπου και άλλα απορτίγωσης. Μη αποθηκεύετε το προϊόν σε εξωτερικό χώρο.
- Τοποθετήστε το κάλυμμα της λεπίδας πριν αποθηκεύσετε το προϊόν ή κατά τη μεταφορά.
- Όταν μεταφέρετε το προϊόν σε όχημα, ασφαλίστε το από μετακίνηση ή πτώση για να αποφύγετε τραυματισμούς ατόμων ή ζημιές στο προϊόν.

ΜΕΤΑΦΟΡΑ ΜΠΑΤΑΡΙΩΝ ΛΙΘΙΟΥ

- Η μεταφορά της συστοιχίας μπαταρίας θα πρέπει να εκτελείται σύμφωνα με τους τοπικούς κανονισμούς και προϋποθέσεις.
- Ακολουθήστε όλες τις ειδικές απαιτήσεις σχετικά με τη συσκευασία και την επισήμανση κατά τη μεταφορά μπαταριών από τρίτους. Βεβαιωθείτε ότι, κατά τη μεταφορά, οι μπαταρίες δεν έρχονται σε επαφή με παλαιότερες μπαταρίες ή αγωγίμα υλικά προστατεύοντας τυχόν εκτεθειμένους συνδέσμους με μονωτικά, μη αγωγίμα καπάκια ή ταινία. Μην μεταφέρετε μπαταρίες που είναι σπασμένες ή παρουσιάζουν διαρροή. Επικοινωνήστε με την εταιρεία προώθησης για βοήθεια.

ΣΥΝΤΗΡΗΣΗ

- Χρησιμοποιείτε μόνο αυθεντικά ανταλλακτικά, εξαρτήματα και προσαρτήματα από τον κατασκευαστή. Εάν δεν το κάνετε, μπορεί να προκληθεί τραυματισμός, κακή απόδοση του μηχανήματος και ακύρωση της εγγύησής σας.
- Η συντήρηση απαιτεί μεγάλη προσοχή και γνώσεις και πρέπει να εκτελείται μόνο από εξειδικευμένο τεχνικό. Να αναθέτετε την επισκευή του προϊόντος μόνο σε εξουσιοδοτημένο κέντρο επισκευών.
- Οι λεπίδες είναι εξαιρετικά αιχμηρές. Προς αποφυγή ατομικού τραυματισμού, επιδείξτε ιδιαίτερη προσοχή κατά τον καθαρισμό, τη λίπανση καθώς και την τοποθέτηση ή την αφαίρεση του προστατευτικού λεπίδας.
- Απενεργοποιήστε το μηχανήμα και αφαιρέστε τη μπαταρία. Αφήστε και τα δύο να κρυώσουν. Βεβαιωθείτε ότι όλα τα κινούμενα μέρη έχουν σταματήσει τελείως πριν προβείτε σε οποιαδήποτε εργασία καθαρισμού ή συντήρησης.
- Μπορείτε να κάνετε τις ρυθμίσεις και τις επισκευές που περιγράφονται σε αυτό το εγχειρίδιο. Για άλλες επισκευές, απευθυνθείτε μόνο σε εξουσιοδοτημένο κέντρο επισκευών.
- Μετά από κάθε χρήση, καθαρίστε το σώμα και τις λαβές του προϊόντος με ένα μαλακό, στεγνό πανί. Οποιαδήποτε βλάβη εξαρτήματος θα πρέπει να επισκευάζεται ή να εκτελείται αντικατάσταση από εξουσιοδοτημένο κέντρο επισκευών.
- Μετά από κάθε χρήση, καθαρίστε τα υπολείμματα από τις λεπίδες με σκληρή βούρτσα και, στη συνέχεια, εφαρμόστε προσεκτικά ένα λιπαντικό κατά της σκουριάς πριν τοποθετήσετε ξανά το προστατευτικό λεπίδας. Χρησιμοποιείτε ένα αντισκωριακό λιπαντικό σπρέι για τη διασφάλιση ομοιόμορφης κατανομής και τη μείωση του κινδύνου σωματικών βλαβών από την επαφή με τις λεπίδες. Για πληροφορίες σχετικά με το κατάλληλο προϊόν ψεκασμού, απευθυνθείτε σε εξουσιοδοτημένο κέντρο σέρβις.

- Ελέγξτε, πριν από κάθε χρήση και σε τακτά χρονικά διαστήματα, ότι όλα τα παξιμάδια, τα μπουλόνια και τις βίδες είναι σωστά σφιγμένα, προκειμένου να διασφαλίσετε την ασφαλή λειτουργία του προϊόντος. Οποιαδήποτε βλάβη εξαρτήματος θα πρέπει να επισκευάζεται ή να εκτελείται αντικατάσταση από εξουσιοδοτημένο κέντρο επισκευών.



Αφαιρέστε τη μπαταρία πριν ξεκινήσετε οποιαδήποτε εργασία στο μηχάνημα.



Εγγυημένο επίπεδο ισχύος ήχου

ΓΝΩΡΙΣΤΕ ΤΟ ΠΡΟΪΟΝ ΣΑΣ

Βλ. σελίδα 113.

1. Προφυλακτήρας λεπίδας
2. Εμπρός λαβή
3. Εμπρός σκανδάλη
4. Σκανδάλη
5. Πίσω λαβή
6. Λεπίδα
7. Σκούπα αποκομμάτων HEDGESWEEP
8. Κάλυμμα λεπίδας
9. Εγχειρίδιο χρήσης
10. Συστοιχία μπαταριών
11. Φορτιστής

ΣΥΜΒΟΛΑ



Προειδοποίηση ασφαλείας



Διαβάστε και κατανοήστε όλες τις οδηγίες πριν λειτουργήσετε το προϊόν. Ακολουθήστε όλες τις οδηγίες ασφαλείας και όλες τις προειδοποιήσεις.



Φοράτε προστατευτικά ματιών, αυτιών και κεφαλής.



Φοράτε αντιολισθητικά προστατευτικά γάντια βαρέως τύπου.



Φοράτε αντιολισθητικά παπούτσια ασφαλείας κατά τη χρήση αυτού του προϊόντος.



Προς αποφυγή σοβαρών τραυματισμών, μην αγγίζετε τις λεπίδες κοπής.



Πάντοτε να κρατάτε το προϊόν με τα δύο χέρια όταν το χρησιμοποιείτε.



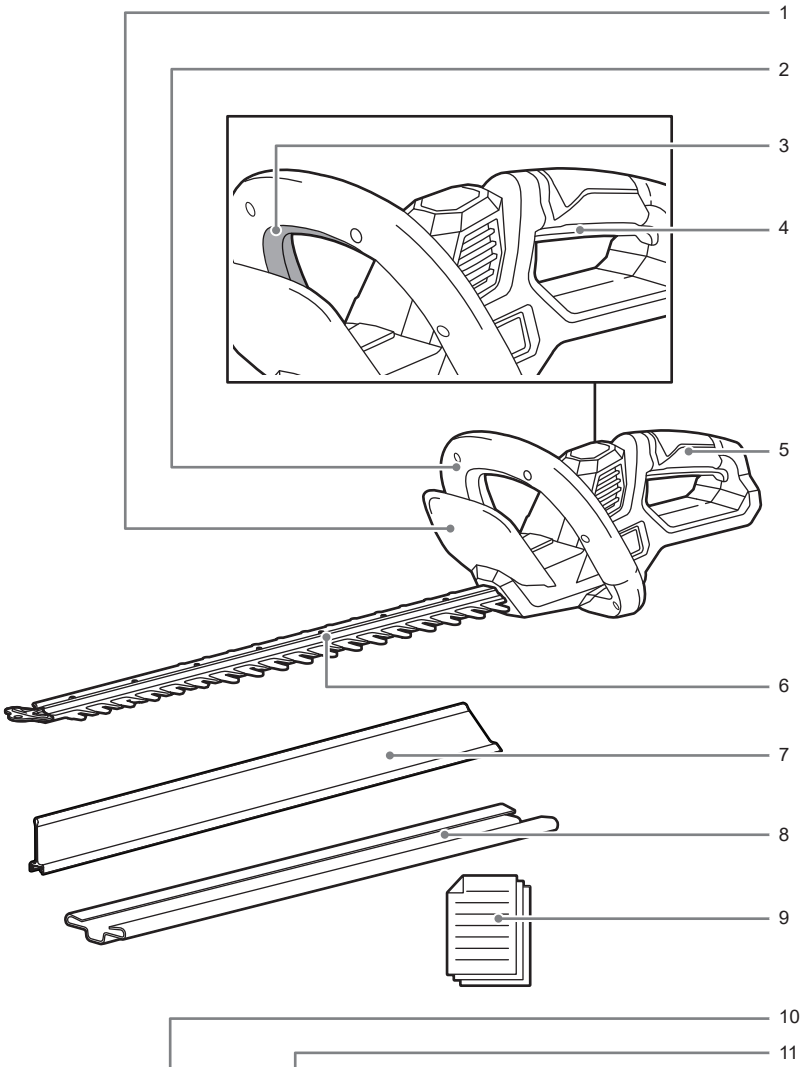
Μην εκθέτετε το προϊόν σε βροχή ή υγρές συνθήκες.

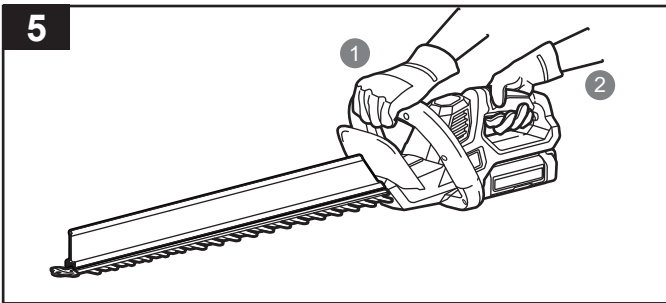
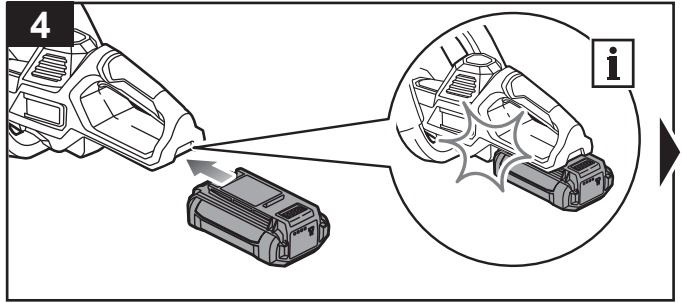
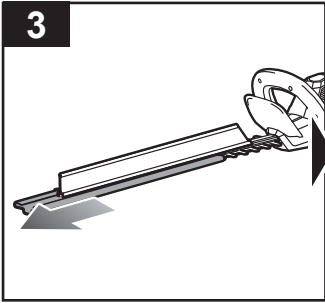
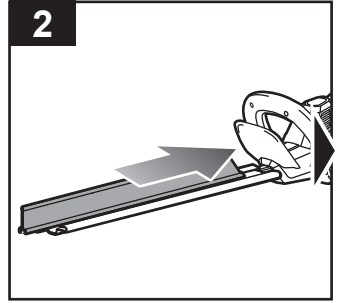
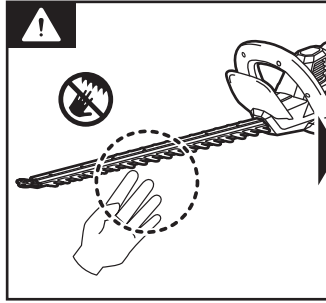
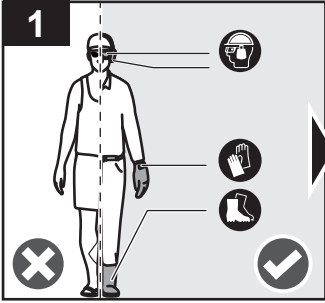


Προσέξτε τυχόν εκπινασσόμενα ή ιπτάμενα αντικείμενα. Κρατήστε όλους τους παρευρισκόμενους, ιδιαίτερα παιδιά και κατοικίδια ζώα, σε απόσταση τουλάχιστον 15 μέτρων από την περιοχή λειτουργίας.

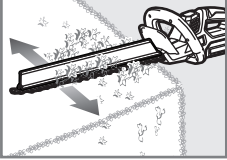


Οι μπαταρίες καθώς και ο ηλεκτρονικός και ηλεκτρικός εξοπλισμός δεν πρέπει να απορρίπτονται στα αδιαχώριστα απορρίματα της κοινότητας. Οι μπαταρίες καθώς και ο ηλεκτρονικός και ηλεκτρικός εξοπλισμός προς απόρριψη θα πρέπει να συλλέγονται χωριστά. Οι μπαταρίες, οι συσσωρευτές και οι πηγές φωτός προς απόρριψη θα πρέπει να αφαιρούνται από τον εξοπλισμό. Επικοινωνήστε με την τοπική σας αρχή ή τον προμηθευτή σας για συμβουλές ανακύκλωσης και σημείο συλλογής. Σύμφωνα με τους τοπικούς κανονισμούς, οι προμηθευτές ενδέχεται να υποχρεούνται να παραλαμβάνουν τον ηλεκτρονικό και ηλεκτρικό εξοπλισμό προς απόρριψη, χωρίς χρέωση. Η συμβολή σας στην επαναχρησιμοποίηση και την ανακύκλωση ηλεκτρονικού και ηλεκτρικού εξοπλισμού προς απόρριψη βοηθά στη μείωση της ζήτησης πρώτων υλών. Οι άχρηστες μπαταρίες, και κυρίως όσες περιέχουν λίθιο, όπως και ο άχρηστος ηλεκτρονικός και ηλεκτρικός εξοπλισμός, περιέχουν πολύτιμα ανακυκλώσιμα υλικά, τα οποία μπορεί να βλάψουν τόσο το περιβάλλον, όσο και την ανθρώπινη υγεία, εάν δεν απορρίπτονται με τρόπο φιλικό προς το περιβάλλον. Διαγράψτε τυχόν προσωπικά δεδομένα από τον εξοπλισμό.

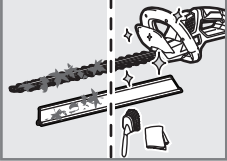




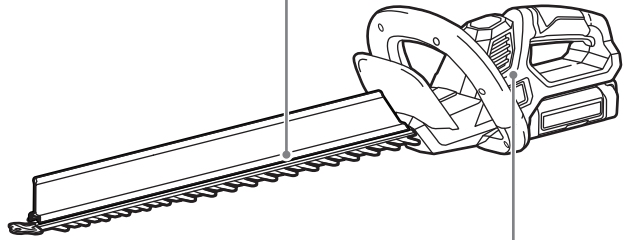
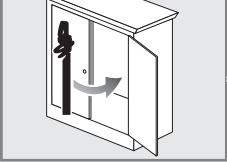
p.116

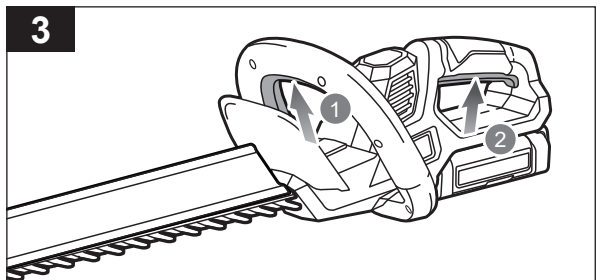
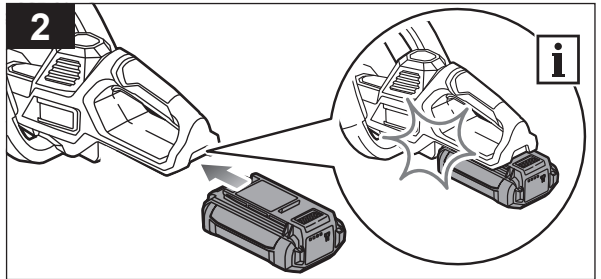
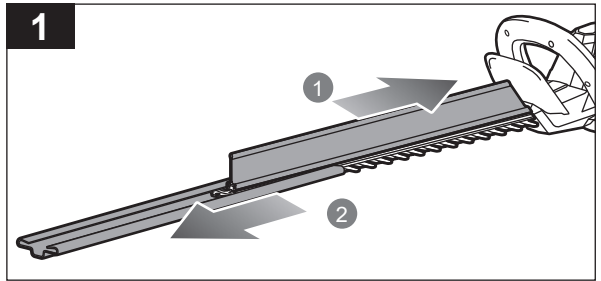
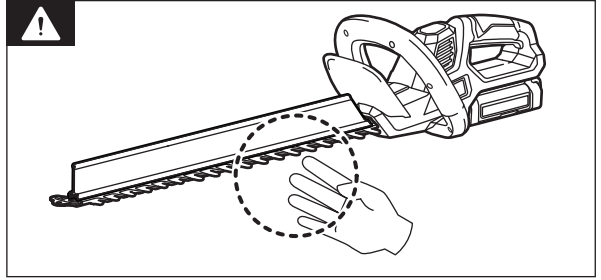
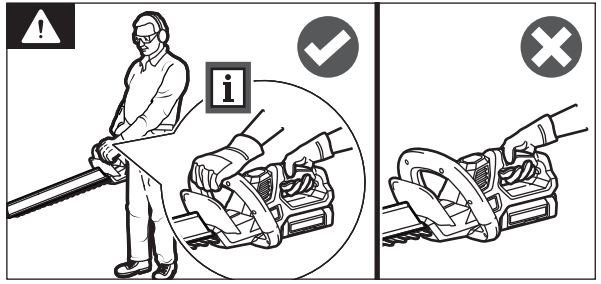
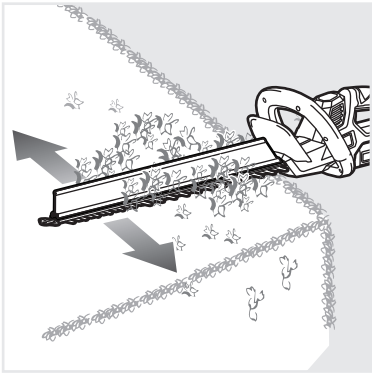


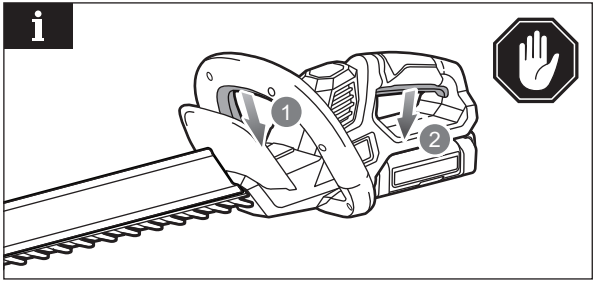
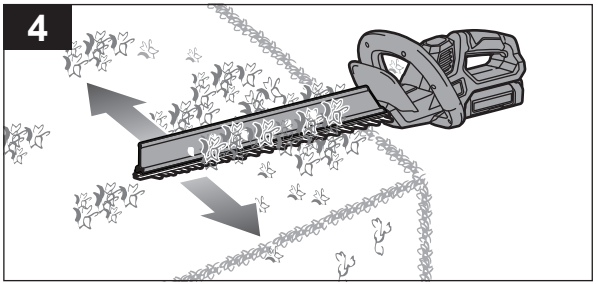
p.118

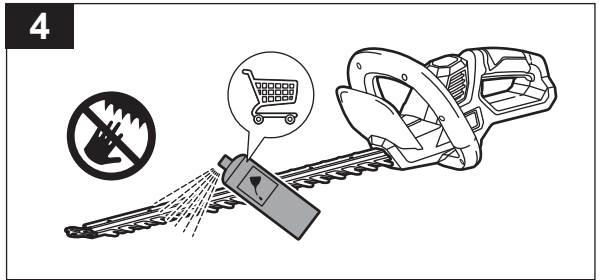
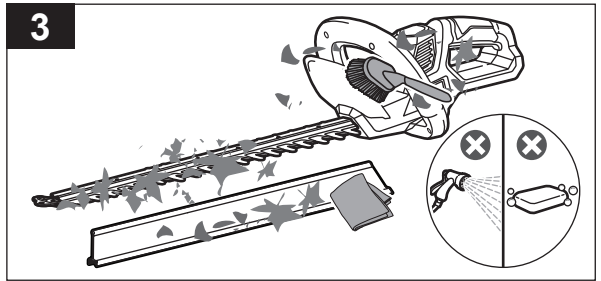
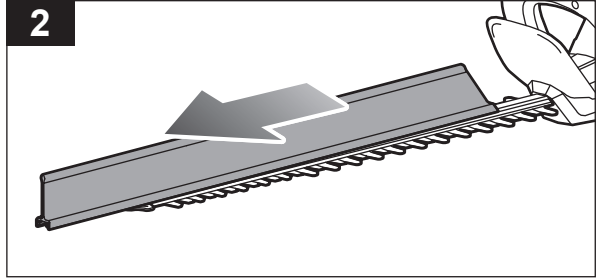
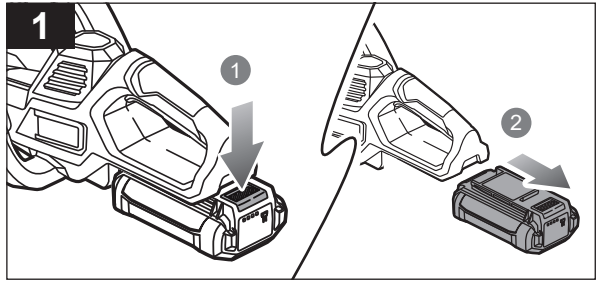
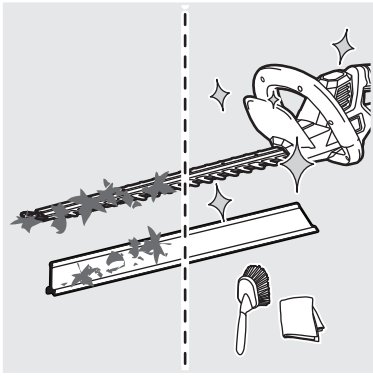


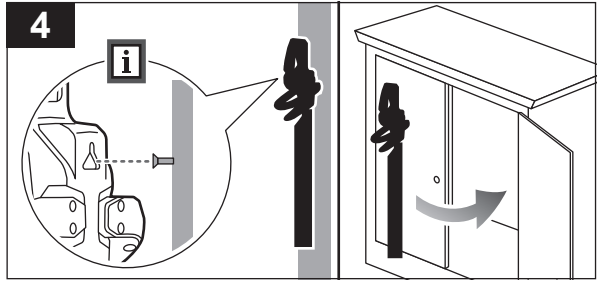
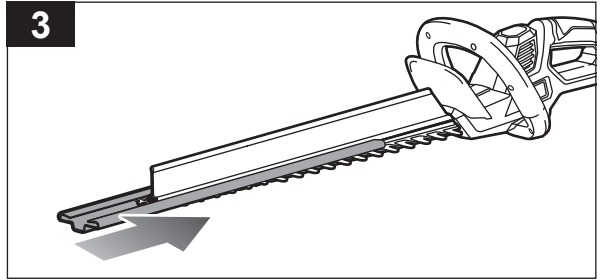
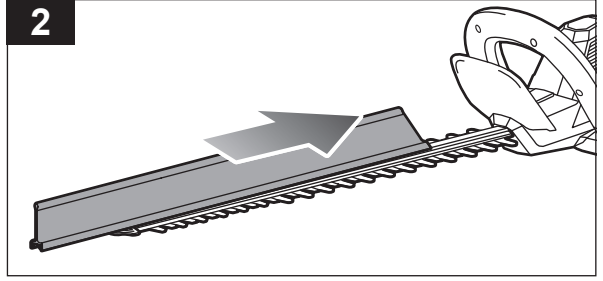
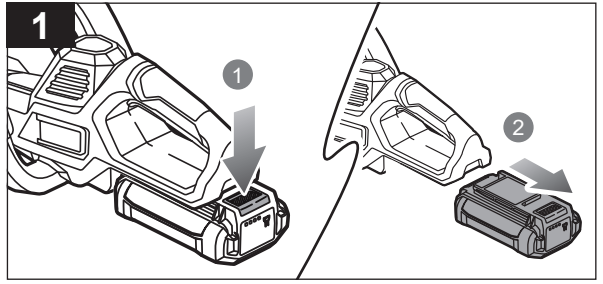
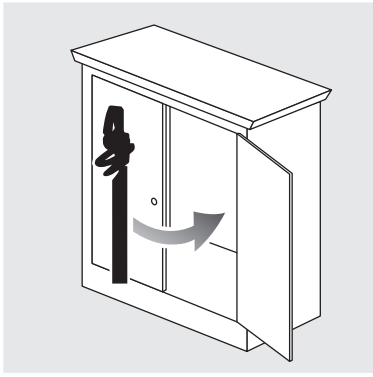
p.119











English	Français	Deutsch	Español	Italiano	Nederlands	Português
Product specifications	Caractéristiques produit	Produkt-Spezifikationen	Características del producto	Caratteristiche del prodotto	Productgegevens	Características do aparelho
Cordless hedge trimmer	Taille-haies sans fil	Akku-Heckenschere	Cortasetos inalámbrico	Tagliasiepi senza cavo	Snoerloze heggenschaar	Recortador de sebes sem fios
Model	Modèle	Modell	Modelo	Modello	Model	Modelo
Rated voltage	Tension nominale	Nennspannung	Tensión nominal	Voltaggio nominale	Toegekende spanning	Tensão nominal
No-load speed	Vitesse à vide	Leerlaufdrehzahl	Velocidad sin carga	Velocità senza carico	Snelheid zonder lading	Velocidade sem carga
Blade length	Longueur de la lame	Messerlänge	Longitud de la cuchilla	Lunghezza lama	Lengte van het zaagmes	Comprimento da lâmina
Cutting capacity	Capacité de coupe	Schnittbreite Durchmesser	Capacidad de corte	Capacità di taglio	Snijcapaciteit	Capacidade de corte
Weight (without battery pack)	Poids (sans batterie)	Gewicht (ohne Akkupack)	Peso (sin la batería)	Peso (senza batterie)	Gewicht (zonder batterij)	Peso (sem a bateria)
Weight (with the heaviest battery pack)	Poids (avec le pack de batterie le plus lourd)	Gewicht (mit dem schwersten Akkupack)	Peso (con el paquete de baterías más pesado)	Peso (con la batteria più pesante)	Gewicht (met de zwaarste accu)	Peso (com o conjunto de baterias mais pesado de todos)
Vibration level (in accordance with IEC 62841-1 and EN 62841-4-2)	Niveau de vibration (selon IEC 62841-1; EN 62841-4-2)	Vibrationsgrad (gemäß IEC 62841-1; EN 62841-4-2)	Nivel de vibración (de acuerdo con IEC 62841-1; EN 62841-4-2)	Livello vibrazioni (in accordo con la direttiva IEC 62841-1; EN 62841-4-2)	Trillingsniveau (in overeenstemming met IEC 62841-1; EN 62841-4-2)	Nível de vibração (em conformidade com IEC 62841-1; EN 62841-4-2)
Front handle	Poignée avant	Vorderer Handgriff	Mango delantero	Manico anteriore	Voorste handvat	Pega frontal
Rear handle	Poignée arrière	Hinterer Handgriff	Mango trasero	Manico posteriore	Achterste handvat	Pega traseira
Uncertainty	Incertitude	Unsicherheit	Incetidumbre	Incerezza	Onzekerheid	Incerteza
Noise emission level (in accordance with IEC 62841-1 and EN 62841-4-2)	Niveau d'émission sonore (selon IEC 62841-1; EN 62841-4-2)	Schallenergiepegel (gemäß IEC 62841-1; EN 62841-4-2)	Nivel de emisión de ruido (de acuerdo con IEC 62841-1; EN 62841-4-2)	Livello di emissione rumore (in accordo con la direttiva IEC 62841-1; EN 62841-4-2)	Geluidsemisniveau (in overeenstemming met IEC 62841-1; EN 62841-4-2)	Nível de emissão de ruído (em conformidade com IEC 62841-1; EN 62841-4-2)
A-weighted sound pressure level at the operator's position	Niveau de pression sonore pondéré A au niveau de l'opérateur	A-bewerteter Schalldruckpegel an der Position des Anwenders	Nivel de presión sonora ponderado A en la posición del operario	Livello di pressione sonora pesato A alla posizione dell'operatore	A-gewogen geluidsdrkniveau op de plaats van de bediener	Nível de pressão sonora ponderado A na posição do operador
Uncertainty	Incertitude	Unsicherheit	Incetidumbre	Incerezza	Onzekerheid	Incerteza
A-weighted sound power level	Niveau de puissance sonore pondéré A	A-bewerteter Schalleistungspegel	Nivel de potencia acústica ponderada en A	Livello di potenza sonora pesato A	A-gewogen geluidsniveau	Nível de potência sonora ponderada A
Uncertainty	Incertitude	Unsicherheit	Incetidumbre	Incerezza	Onzekerheid	Incerteza
$L_{WA} + K_{WA}$	$L_{WA} + K_{WA}$	$L_{WA} + K_{WA}$	$L_{WA} + K_{WA}$	$L_{WA} + K_{WA}$	$L_{WA} + K_{WA}$	$L_{WA} + K_{WA}$
Compatible battery packs	Blocs des batterie compatibles	Kompatibel Akkupacks	Paquetes de batería compatibles	Gruppo batterie compatibili	Compatibele accupacks	Baterias compatíveis
Compatible chargers	Chargeurs compatibles	Kompatibel Ladegeräte	Cargador compatible	Caricatore compatibile	Compatibele oplader	Carregador compatível

Dansk	Svenska	Suomi	Norsk	Русский	Polski	
Produktspecifikationer	Produktspecifikationer	Tuotteen tekniset tiedot	Produktspesifikasjoner	Характеристики изделия	Parametry techniczne	
Akku-hækkeklipperen	Sladdlös häcktrimmer	Langaton pensasleikkuri	Trådløs hekktrimmer	Беспроводные кусторезы	Bezprzewodowe nożyce do żywopłotów	
Model	Modell	Malli	Modell	Модель	Model	RY36HT60A
Mærkespænding	Spänning	Nimellisännite	Nominell spenning	Номинальное напряжение	Napięcie znamionowe	36 V d.c.
Tomgangshastighed	Hastighet utan belastning	Nopeus ilman kuormaa	Tomgangshastighet	Холостая скорость	Prędkość obrotowa bez obciążenia	1350/min
Klingens længde	Bladlängd	Terän pituus	Bladlengde	Длина полотна	Długość brzeszczotu	60 cm
Skærekapacitet	Trimningskapacitet	Leikkauskapasiteetti	Klippekapasitet	Сокращение вместимости	Szerokość cięcia	25,4 mm
Vægt (uden batteri)	Vikt (utan batteri)	Paino (ilman akkua)	Vekt (uten batteri)	Вес (без батарей)	Masa (bez akumulatora)	2,9 kg
Vægt (med det tungeste batteri)	Vikt (med tyngsta batterienhet)	Paino (painavimman akun kanssa)	Vekt (med det tyngste batteriet)	Вес (с самым тяжелым аккумуляторным блоком)	Masa (z najcięższym akumulatorem)	5,6 kg
Vibrationsniveau (iht. IEC 62841-1; EN 62841-4-2)	Vibrationsnivå (enligt IEC 62841-1; EN 62841-4-2)	Tärinätaso (standardin IEC 62841-1; EN 62841-4-2 mukaisesti)	Vibrasjonsnivå (iht. IEC 62841-1; EN 62841-4-2)	Уровень вибрации (в соответствии с IEC 62841-1; EN 62841-4-2)	Poziom wibracji (zgodnie z normą IEC 62841-1; EN 62841-4-2)	
Forhåndtag	Främre handtag	Etukädensija	Fremre håndtak	Передняя ручка	Przedni uchwyt	$a_h = 1,6 \text{ m/s}^2$
Baghåndtag	Bakre handtag	Takakädensija	Bakre håndtak	Задняя ручка	Tylny uchwyt	$a_h = 1,8 \text{ m/s}^2$
Usikkerhed	Osäkerhet	Epätarkkuus	Usikkerhet	Погрешность	Niepewność pomiaru	$K_h = 1,5 \text{ m/s}^2$
Støjmissionsniveau (iht. IEC 62841-1; EN 62841-4-2)	Bullerutsläppsnivå (enligt IEC 62841-1; EN 62841-4-2)	Melutaso (standardin IEC 62841-1; EN 62841-4-2 mukaisesti)	Støyutslippsnivå (iht. IEC 62841-1; EN 62841-4-2)	Уровень шума (в соответствии с IEC 62841-1; EN 62841-4-2)	Poziom emisji hałasu (zgodnie z normą IEC 62841-1; EN 62841-4-2)	
A-vægtet lydtrykkniveau ved operatørens position	A-viktad ljudtrycksnivå vid operatörsplats	A-painotettu käyttöjään kohdistuva äänenpainetaso	A-vektet lydtrykk ved operatørposisjon	Амплитудно-взвешенный уровень звукового давления на рабочем месте оператора	Poziom ważonego ciśnienia akustycznego w pozycji operatora	$L_{pA} = 88,1 \text{ dB(A)}$
Usikkerhed	Osäkerhet	Epätarkkuus	Usikkerhet	Погрешность	Niepewność pomiaru	$K_{pA} = 3,0 \text{ dB}$
A-vægtet lydeffektniveau	A-vägd ljudeffektsnivå	A-painotettu äänenteho	A-vektet lydeffektnivå	Уровень А-взвешенной звуковой мощности	A-ważony poziom mocy akustycznej	$L_{WA} = 93,5 \text{ dB(A)}$
Usikkerhed	Osäkerhet	Epätarkkuus	Usikkerhet	Погрешность	Niepewność pomiaru	$K_{WA} = 4,2 \text{ dB}$
$L_{WA} + K_{WA}$	$L_{WA} + K_{WA}$	$L_{WA} + K_{WA}$	$L_{WA} + K_{WA}$	$L_{WA} + K_{WA}$	$L_{WA} + K_{WA}$	98 dB(A)
Kompatible batterier	Kompatibla batteripaket	Yhteensopivat akut	Kompatible batteripakker	Совместимая аккумуляторная батарея	Pasujące akumulatory	RY36B..
Kompatibel oplader	Kompatibel laddare	Yhteensopiva laturi	Kompatibel lader	Совместимое зарядное устройство	Zgodna ładowarka	RY36C..

Čeština	Magyar	Română	Latviski	Lietuviškai	Eesti	Hrvatski
Technické údaje produktu	Termék műszaki adatai	Specificațiile produsului	Produkta specifikācijas	Gaminio techninės savybės	Toote tehnilised andmed	Specifikacije proizvoda
Akumulátorový plotostřih	Akkumulátoros sövényvágó	Foarfece de grădină fără fir	Akumulátoru dzīvzoga šķēres	Akumulatorinė krūmajėvė	Juhtmeta hekilõikur	Akumulatorski trimmer za živicu
Model	Típus	Model	Modelis	Modelis	Mudel	Model
Jmenovité napětí	Névleges feszültség	Tensiunea nominală	Nominālais spriegums	Nomināli ģtampa	Nimipinge	Nazivni napon
Rychlost naprázdno	Üresjárati fordulatszám	Viteză fără sarcină	Tukšgaitas ātrums	Greitis be apkrovimo	Tühikäigukiirus	Brzina bez opterećenja
Délka čepele	Fűrészlap hossza	Lungimea lamă	Āsmens garums	Geležtės ilgis	Saelehe pikkus	Duljina noža pile
Řezací kapacita	Vágási teljesítmény	Lungimea de tăiere	Griešanas dziļums	Pļojimo talpa	Lõikevõimsus	Kapacitet rezanja
Hmotnost (bez baterie)	Súly (akkumulátor nélkül)	Greutate (fără acumulator)	Svars (bez baterijas)	Svoris (be akumulatorinės baterijos)	Kaal (ilma akuta)	Težina (bez baterije)
Hmotnost (s nejtěžšími bateriemi)	Súly (a legnehezebb akkusomaggal)	Greutatea (cu cel mai greu acumulator)	Svars (ar smagāko akumulātoru bloku)	Svoris (su sunkiausiu akumuliatorių bloku)	Kaal (koos raskeima akuga)	Težina (s najtežom baterijom)
Úroveň vibrací (v souladu s IEC 62841-1; EN 62841-4-2)	Vibrációs szint (az IEC 62841-1; EN 62841-4-2 szerint)	Nivel de vibrație (În conformitate cu IEC 62841-1; EN 62841-4-2)	Vibrācijas līmenis (saskaņā ar IEC 62841-1; EN 62841-4-2)	Vibracijos lygis (pagal IEC 62841-1; EN 62841-4-2 standartą)	Vibratsioonitase (vastavalt standardile IEC 62841-1; EN 62841-4-2)	Razina vibracija (u skladiu s IEC 62841-1; EN 62841-4-2)
Přední rukojet	Előlső fogantyú	Măner anterior	Priekšējais rokturis	Priekine rankena	Eesmine käepide	Prednja rucka
Zadní rukojet	Hátsó fogantyú	Mănerul principal	Aizmugurejais rokturis	Galine rankena	Tagumine käepide	Stražnja rucica
Nejistota	Bizonytalanság	Incertitudine	Nenoteiktība	Nepastovumas	Määramatus	Neodređenost
Hladina emise hluku (v souladu s IEC 62841-1; EN 62841-4-2)	Hangkibocsátási szint (az IEC 62841-1; EN 62841-4-2 szerint)	Nivel emisie zgomot (În conformitate cu IEC 62841-1; EN 62841-4-2)	Trokšņu emisijas līmenis (saskaņā ar IEC 62841-1; EN 62841-4-2)	Skleidžiamo triukšmo lygis (pagal IEC 62841-1; EN 62841-4-2 standartą)	Helivõimsuse tase (vastavalt standardile IEC 62841-1; EN 62841-4-2)	Razina emisija buke (u skladiu s IEC 62841-1; EN 62841-4-2)
Hladina akustického tlaku vážená funkcí A v poloze obsluhy	A-súlyozott hangnyomásszint a kezelő helyén	Valoare A nivel presiune zgomot la poziția operatorului	A-novērtējuma skaņas spiediena līmenis operatora darba vietā	A dažnības raksturistikos garso slėgio lygis operatoriaus vietoje	A-kaalutud helirõhu tase operatori tőköhal	A-ponderirana razina zvučnog tlaka u položaju operatera
Nejistota	Bizonytalanság	Incertitudine	Nenoteiktība	Nepastovumas	Määramatus	Neodređenost
Hladina akustického výkonu vážená funkcí A	A-súlyozott hangteljesítményszint	Nivel de putere acustică ponderată A	A-līmeņa skaņas jaudas līmenis	A-svertinis akustinis lygis	A-kaalutud helivõimsuse tase	Ponderirana razina zvučne snage
Nejistota	Bizonytalanság	Incertitudine	Nenoteiktība	Nepastovumas	Määramatus	Neodređenost
$L_{WA} + K_{WA}$	$L_{WA} + K_{WA}$	$L_{WA} + K_{WA}$	$L_{WA} + K_{WA}$	$L_{WA} + K_{WA}$	$L_{WA} + K_{WA}$	$L_{WA} + K_{WA}$
Kompatibilní akumulátory	Kompatibilis akkumulátorok	Acumulatori compatibili	Savietojami akumulātoru komplekti	Suderinami baterijos paketai	Ühilduvad akupaketid	Kompatibilna pakiranja baterija
Kompatibilní nabíječka	Kompatibilis töltő	Încărcător compatibil	Saderīgs lādētājs	Suderinamas įkroviklis	Ühilduv laadija	Kompatibilni punjači

Slovenščina	Slovenčina	България	українська	Türkçe	Ελληνικά	
Specifikacije izdelka	Špecifikácie produktu	Технически характеристики	Технічні характеристики пристрою	Ürün teknik özellikleri	Προδιαγραφές Προϊόντος	
Brezžični obrezovalnik žive meje	Akumulátorový strihač živého plotu	Безжична ножица за жив плет	Бездротовий кущоріз	Kablosuz çit budama makinesi	Μπορνούροφάλιδο μπαταρίας	
Model	Modelis	Модел	Модель	Model	Μοντέλο	RY36HT60A
Nazivna napetost	Menovitě napětí	Номинален волтаж	Номинальна напруга	Nominal voltaj	Ονομαστική τάση	36 V d.c.
Hitrost neobremenjenega motorja	Rýchlosť naprázdno	Скорост в ненатоварен режим	Швидкість без навантаження	Yüksüz hız	Ταχύτητα χωρίς φορτίο	1350/min
Dolžina rezila	Dĺžka pílového listu	Дължина на острието	Довжина ножа	Viçak uzunluđu	Μήκος λεπίδας	60 cm
Kapaciteta rezanja	Kapacita rezania	Капацитет на рязане	Різуна здатність	Kesme Kapasitesi	Δυνατότητα κοπής	25,4 mm
Teža (brez baterije)	Hmotnosť (bez akumulátora)	Тегло (без батерията)	Вага (без акумулатора)	Ağırlık (batarya hariç)	Βάρος (χωρίς τη συστοιχία μπαταρίας)	2,9 kg
Teža (z najtežjim akumulatorjem)	Hmotnosť (s najťažšou súpravou batérií)	Тегло (с най-тежката батерия)	Вага (з найбільш важким акумулятором)	Ağırlık (en ağır pil paketiyle)	Βάρος (με τη βαρύτερη μπαταρία)	5,6 kg
Nivo vibracij (v skladu s standardom IEC 62841-1; EN 62841-4-2)	Úroveň vibrácií (podľa normy IEC 62841-1; EN 62841-4-2)	Ниво на вибрациите (в съответствие с IEC 62841-1; EN 62841-4-2)	Рівень вібрації (відповідно до IEC 62841-1; EN 62841-4-2)	Titreşim seviyesi (IEC 62841-1; EN 62841-4-2 uyarınca)	Επίπεδο δονήσεων (σύμφωνα με τα πρότυπα IEC 62841-1 και το EN 62841-4-2)	
Sprednji ročaj	Predná rukovät	Предна ръкохватка	Передня ручка	Ön kulp	Εμπρός λαβή	$a_h = 1,6 \text{ m/s}^2$
Zadnji ročaj	Zadná rukovät	Задна ръкохватка	Задня ручка	Arka kulp	Πίσω λαβή	$a_h = 1,8 \text{ m/s}^2$
Negotovost	Neurčitost	Променливост	Ποхибка	Belirsiz	Αβεβαιότητα	$K_h = 1,5 \text{ m/s}^2$
Raven emisij hrupa (v skladu s standardom IEC 62841-1; EN 62841-4-2)	Úroveň emisíí hluku (podľa normy IEC 62841-1; EN 62841-4-2)	Ниво на шумовите емисии (в съответствие с IEC 62841-1; EN 62841-4-2)	Рівень шуму (відповідно до IEC 62841-1; EN 62841-4-2)	Gürültü Emisyonu (IEC 62841-1; EN 62841-4-2 uyarınca)	Επίπεδο εκπομπής θορύβου (σύμφωνα με τα πρότυπα IEC 62841-1 και EN 62841-4-2)	
A-vrednotena raven zvočnega tlaka na položaju upravljavca	Vážená A hladina akustického tlaku na pozícii operátora	Ниво на шумово налягане с равнище А на мястото на оператора	Рівень звукового тиску за шкалою А для оператора пристрою	Kullanıcı pozisyonundaki A ağırlıklı ses basıncı seviyesi	Α-σταθμισμένη στάθμη ηχητικής πίεσης στη θέση του χειριστή	$L_{pA} = 88,1 \text{ dB(A)}$
Negotovost	Neurčitost	Променливост	Ποхибка	Belirsiz	Αβεβαιότητα	$K_{pA} = 3,0 \text{ dB}$
A-izmerjena raven zvočne moči	Vážená A hladina akustického výkonu	Ниво на силата на шума с равнище А	А-зважений рівень звукової потужності	A ağırlıklı ses gücü seviyesi	Α-σταθμισμένη στάθμη ηχητικής ισχύος	$L_{WA} = 93,5 \text{ dB(A)}$
Negotovost	Neurčitost	Променливост	Ποхибка	Belirsiz	Αβεβαιότητα	$K_{WA} = 4,2 \text{ dB}$
$L_{WA} + K_{WA}$	$L_{WA} + K_{WA}$	$L_{WA} + K_{WA}$	$L_{WA} + K_{WA}$	$L_{WA} + K_{WA}$	$L_{WA} + K_{WA}$	98 dB(A)
Zdržljivje baterije	Kompatibilné jednotky akumulátorov	Съвместими батерии	Сумісні акумуляторні блоки	Uyumlu pil takımları	Συμβατές μπαταρίες	RY36B..
Zdržljiv polnilec	Kompatibilná nabíjačka	Съвместимо зарядно устройство	Сумісний зарядний пристрій	Uyumlu şarj cihazı	Συμβατοί φορτιστές	RY36C..

EN**⚠ WARNING**

The declared vibration total values and the declared noise emission values given in this instruction manual have been measured in accordance with a standardised test and may be used to compare one tool with another. They may be used for a preliminary assessment of exposure.

The declared vibration and noise emission values represent the main applications of the tool. However, if the tool is used for different applications, used with different accessories, or poorly maintained, the vibration and noise emission may differ. These conditions may significantly increase the exposure levels over the total working period. An estimation of the level of exposure to vibration and noise should take into account the times when the tool is turned off or when it is running idle. These conditions may significantly reduce the exposure level over the total working period.

Identify additional safety measures to protect the operator from the effects of vibration and noise, such as maintaining the tool and the accessories, keeping the hands warm (in case of vibration), and organising work patterns.

FR**⚠ AVERTISSEMENT**

Le niveau total de vibrations et le niveau total d'émissions sonores déclarés indiqués dans ce manuel d'instruction ont été mesurés selon une méthode de test normalisée et peut servir de référence pour comparer les outils entre eux. Ils peuvent servir d'évaluation préliminaire à l'exposition.

Les niveaux d'émissions sonores et de vibrations déclarés représentent les principales applications de l'outil. Toutefois, si l'outil est utilisé pour des applications différentes ou des accessoires différents, ou s'il est mal entretenu, les vibrations émises peuvent varier. Ces facteurs pourraient augmenter considérablement les niveaux d'exposition sur la durée totale d'utilisation. Une estimation du niveau d'exposition aux vibrations et du bruit doit aussi prendre en compte les périodes durant lesquelles l'outil est éteint ou lorsqu'il fonctionne à vide. Ces facteurs pourraient réduire considérablement le niveau d'exposition sur la durée totale d'utilisation.

Identifiez toute mesure de sécurité supplémentaire à observer pour protéger l'opérateur des effets des vibrations et du bruit, comme l'entretien de l'outil et des accessoires, le maintien au chaud des mains (en cas de vibrations), et l'élaboration de schémas de pulvérisation.

DE**⚠ WARNING**

Die in dieser Anleitung deklarierten Gesamtwerte der Schwingungsemission und die deklarierten Werte der Geräuschemission wurden gemäß einer standardisierten Testmethode gemessen und können verwendet werden, um Werkzeuge miteinander zu vergleichen. Sie können für eine vorläufige Beurteilung der Belastung verwendet werden.

Die deklarierten Werte für Schwingungen- und Geräuschemission treffen auf die Hauptanwendung des Werkzeugs zu. Wenn jedoch das Werkzeug für verschiedene Anwendungen oder mit unterschiedlichem Zubehör genutzt wird oder schlecht gewartet ist, kann die Schwingungs- und Geräuschemission variieren. Diese Bedingungen können das Belastungsniveau über die gesamte Arbeitszeit deutlich steigern. Eine Schätzung der Schwingungsbelastung sollte auch die Zeiten berücksichtigen, in denen das Werkzeug ausgeschaltet ist oder im Leerlauf läuft. Diese Bedingungen können das Belastungsniveau über die gesamte Arbeitszeit deutlich reduzieren.

Legen Sie zusätzliche Sicherheitsmaßnahmen fest, um den Bediener vor den Auswirkungen von Schwingung und Geräuschen zu schützen, z. B. Warten des Geräts und der Zubehörteile, Warmhalten der Hände (bei Schwingung) und Organisieren der Tätigkeit.

ES**⚠ ADVERTENCIA**

Los valores totales de emisión de vibración declarados y los valores de emisiones de ruido declarados que se indican en este manual de instrucciones se han calculado según lo establecido en una prueba estandarizada y se pueden utilizar para comparar una herramienta con otra. Se pueden utilizar para una evaluación preliminar de exposición.

Los valores declarados de emisión de vibración y ruido representan las aplicaciones principales de la herramienta. No obstante, si la herramienta se utiliza para diferentes aplicaciones, con distintos accesorios o con un mantenimiento deficiente, la emisión de vibración y ruido podría diferir. Estas condiciones podrían aumentar significativamente los niveles de exposición sobre el periodo de funcionamiento total. Una estimación del nivel de exposición a la vibración y el ruido debería también tenerse en cuenta cuando la herramienta está apagada o cuando funciona a baja intensidad. Estas condiciones podrían reducir significativamente el nivel de exposición sobre el periodo de funcionamiento total.

Identifique cualquier medida de protección adicional para proteger al operario de los efectos de la vibración y el ruido, como el mantenimiento de la herramienta y los accesorios, mantener las manos calientes (en caso de vibración) y la organización de los patrones de trabajo.

IT**⚠ AVVERTENZE**

Il livello di emissioni di vibrazioni riportato in questa scheda informativa è stato misurato con un metodo di prova standardizzato ed è utilizzabile per confrontare gli utensili fra di loro. Questi possono essere usati per una valutazione preliminare dell'esposizione.

I valori di emissione di rumori e vibrazioni rappresentano le principali applicazioni dello strumento. Tuttavia, se l'utensile viene utilizzato in applicazioni differenti, con differenti accessori o con scarsa manutenzione, l'emissione di vibrazioni e rumori può essere diversa. Queste condizioni possono significativamente aumentare il livello di esposizione nel periodo di lavoro totale. Una stima del livello di esposizione alle vibrazioni e ai rumori va presa in considerazione anche quando l'utensile viene spento oppure è in funzione a folle. Queste condizioni possono significativamente ridurre il livello di esposizione nel periodo di lavoro totale.

Identificare le misure di sicurezza aggiuntive per proteggere l'operatore dagli effetti di vibrazioni e rumori, come la manutenzione di strumento e accessori, mantenendo le mani calde (in caso di vibrazione) e le modalità di lavoro.

NL**⚠ WAARSCHUWING**

Het gespecificeerde totale trillingswaarden en geluidsemissiewaarden in deze instructiehandleiding zijn gemeten overeenkomstig een gestandaardiseerde test en kunnen worden gebruikt om gereedschappen met elkaar te vergelijken. Ze kunnen worden gebruikt voor een voorgaande beoordeling van blootstelling.

De gespecificeerde trillings- en geluidsemissiewaarden vertegenwoordigen de belangrijkste toepassingen van het gereedschap. Als het gereedschap echter voor andere toepassingen of met andere accessoires wordt gebruikt slecht wordt onderhouden, kunnen de trillings- en geluidsemissiewaarden afwijken. Deze omstandigheden kunnen het blootstellingsniveau over de gehele gebruiksperiode aanzienlijk verhogen. Een schatting van het niveau van blootstelling aan trillingen en geluid dient ook rekening te houden met de perioden dat het gereedschap is uitgeschakeld of is ingeschakeld maar niet wordt gebruikt. Deze omstandigheden kunnen de blootstellingsniveaus over de gehele gebruiksperiode aanzienlijk verhogen.

Stel aanvullende veiligheidsmaatregelen vast om de gebruiker te beschermen tegen de effecten van trillingen en geluid, zoals onderhoud van het gereedschap en de accessoires, het warm houden van de handen (in geval van trillingen) en het organiseren van werkpatronen.

PT**⚠ AVISO**

Os valores de vibração totais declarados e o nível de emissão de ruído dado nesta ficha de informações foi medido de acordo com um teste normalizado e pode ser utilizado para fazer comparações entre ferramentas. Podem ser utilizados para uma avaliação preliminar da exposição.

O nível declarado de emissão de vibrações e ruído representa as aplicações principais da ferramenta. Contudo, se a ferramenta for utilizada para várias aplicações, com diferentes acessórios ou se receber manutenção insuficiente, a emissão de vibrações e ruído pode ser diferente. Estas condições podem aumentar significativamente o nível de exposição ao longo do período total de trabalho. Uma estimativa do nível de exposição às vibrações e ruído deverá também levar em conta os tempos que a ferramenta está desligada ou que está a funcionar mas sem estar a ser utilizada para trabalho. Estas condições podem reduzir significativamente o nível de exposição ao longo do período total de trabalho.

Identifique medidas de segurança adicionais para proteger o operador dos efeitos da vibração e ruído, tal como a manutenção da ferramenta e dos acessórios, manter as mãos quentes (em caso de vibração) e organizar padrões de trabalho.

DA**⚠ ADVARSEL**

Vibrations- og støjemissionsværdierne, der er angivet i denne vejledning er målt i overensstemmelse med en standardiseret test og kan bruges til at sammenligne et værktøj med et andet. De kan bruges til en foreløbig vurdering af udsættelse.

De angivne vibrations- og støjemissionsværdier repræsenterer værktøjets hovedanvendelser. Hvis værktøjet imidlertid anvendes til andre former for forskelligt tilbehør eller er dårligt vedligeholdt, kan vibrations- og lydmissionen afvige. Disse forhold kan i væsentlig grad forøge udsættelsesniveauerne over den samlede arbejdsperiode. Et overslag over udsættelsesniveauet for vibrationer og støj bør også tage højde for de gange, hvor værktøjet er slukket, eller når det kører i tomgang. Disse forhold kan i betragteligt omfang reducere udsættelsesniveauet over den samlede arbejdsperiode.

Find yderligere sikkerhedsforanstaltninger, der kan beskytte operatoren mod virkningerne af vibrationer og støj, såsom vedligeholdelse af værktøjet og tilbehøret, holde hænderne varme (i tilfælde af vibrationer) og organisering af arbejdsmonter.

SV



VARNING

De angivna totala vibrations- och bulleremissionsvärdena som anges i denna instruktionsmanual har uppmätts i enlighet med ett standardiserat test och kan användas för att jämföra olika verktyg. De kan användas för en preliminär bedömning av exponering.

De angivna vibrations- och bulleremissionsvärdena representerar verktygets huvudsakliga användningsområden. Om verktyget emellertid används i andra tillämpningar, med andra tillbehör eller underhålls bristfälligt, kan vibrationer och bulleremission skilja sig från de angivna. Dessa förhållanden kan öka exponeringsnivåerna under den totala arbetsperioden avsevärt. En uppskattning av exponeringsnivån för vibrationer och buller bör även ta med i beräkningen de lider då verktyget är avstängt eller när det är igång men inte används i arbete. Dessa förhållanden kan minska exponeringsnivån under den totala arbetsperioden avsevärt.

Identifiera ytterligare säkerhetsåtgärder för att skydda operatören från effekterna av vibrationer och buller, såsom att underhålla verktyget och tillbehören, hålla händerna varma (i händelse av vibrationer) och organisera arbetsmönster.

FI



VAROITUS

Tässä ohjekäsikirjassa tärinälle annettu kokonaisarvo ja ilmoitettu melupäästöarvo on mitattu standardoidun kokeen mukaisesti, ja niitä voidaan käyttää työkalujen vertaamiseen toisiinsa. Niitä voidaan käyttää allistumisen alustavaan arvioimiseen.

Ilmoitetut tärinä- ja melupäästöarvot koskevat työkalun pääkäyttötarkoituksia. Tärinäpäästö voi kuitenkin vaihdella, jos työkalua käytetään eri käyttötarkoituksiin, eri tavikkeilla tai huonosti huollettuna. Mainitut olosuhteet saattavat nostaa allistumistasoa huomattavasti kokonaisarvojakson aikana. Tärinän ja melun allistumistason arviointi tulisi ottaa huomioon myös silloin, kun työkalu on kytketty pois päältä tai kun se on käynnissä, mutta sitä ei varsinaisesti käytetä. Mainitut olosuhteet saattavat vähentää huomattavasti allistumistasoa kokonaisarvojakson aikana.

Lisäturvatoimenpiteillä, kuten työkalun ja lisävarusteiden huoltamisella, käsin lämpimänä pitämisellä (tärinän tapauksessa) ja työmallien järjestämisellä, voit suojella käyttäjä tärinältä ja melulta.

NO



ADVARSEL

De erklærte totale vibrasjonsverdiene og de erklærte støytstøttsverdiene gitt i denne brukerhåndboken har blitt målt i samsvar med en standardisert test og kan brukes til å sammenligne ett verktøy med ett annet. De kan brukes for en preliminær vurdering av eksponering.

De opplyste vibrasjons- og støytstøttsverdiene representerer verktøyet hovedbruksområder. Men hvis verktøyet brukes til ulike bruksområder, brukes med ulike tilbehør eller vedlikeholdet er dårlig, kan vibrasjons- og støytstøttsverdi være forskjellige. Disse forholdene kan øke eksponeringsnivået betraktelig i løpet av hele arbeidsperioden. En vurdering av eksponeringsnivået for vibrasjon og støy skal ta hensyn til de gangene verktøyet er slått av eller går på tomgang. Disse forholdene kan betydelig redusere eksponeringsnivået over den totale arbeidsperioden.

Identifiser ytterligere sikkerhetstiltak for å beskytte operatøren mot virkningen av vibrasjon og støy, slik som å vedlikeholde verktøyet og tilbehøret, holde hendene varme (i tilfelle vibrasjon) eller organisere arbeidsmønster.

RU



ОСТОРОЖНО

Заявленные данные о совокупном уровне вибрационного и шумового воздействия, указанные в настоящем руководстве, получены в ходе стандартизированных исследований и могут использоваться для сравнения инструментов. Могут применяться в рамках предварительной оценки степени воздействия.

Заявленный уровень вибрационного и шумового воздействия учитывает основные области применения инструмента. При этом, если инструмент используется иным образом, с другим оборудованием либо некачественно обслуживается, степень вибрационного и шумового воздействия может отличаться. В рамках всего периода эксплуатации эти условия могут способствовать значительному повышению уровней воздействия. Расчет уровня вибрационного и шумового воздействия должен также проводиться с учетом количества выключений инструмента и продолжительности работы на холостом ходу. В рамках всего периода эксплуатации эти условия могут способствовать значительному снижению уровня воздействия.

Обеспечьте дополнительные меры защиты оператора от воздействия вибрации и шума, например, техническое обслуживание инструмента и принадлежностей, поддержание температуры рук (в случае вибрации) и организации графика работ.

PL



OSTRZEŻENIE

Podany w niniejszej instrukcji łączny poziom emisji wibracji zmierzono zgodnie ze znormalizowaną metodą testowania — może on być wykorzystywany do wzajemnego porównywania narzędzi. Można go wykorzystywać do wstępnej oceny narażenia.

Deklarowany poziom emisji wibracji i hałasu odpowiada głównym zastosowaniom narzędzia. Jeżeli jednak narzędzie będzie używane do innych zastosowań lub z innymi akcesoriami, bądź też jeśli będzie niewłaściwie konserwowane, poziom emisji wibracji i hałasu może się różnić. Warunki takie mogą doprowadzić do znaczącego wzrostu poziomu narażenia w całym okresie eksploatacji. Oszacowanie poziomu narażenia na wibracje i hałas powinno również uwzględniać okresy, w których narzędzie jest wyłączone bądź działa, ale nie jest wykorzystywane do pracy. Warunki takie mogą doprowadzić do znaczącego ograniczenia poziomu narażenia w całym okresie eksploatacji.

Należy zidentyfikować dodatkowe środki bezpieczeństwa mające na celu ochronę operatora przed skutkami wibracji i hałasu, takie jak konserwacja narzędzia i akcesoriów, utrzymywanie ciepła dłoni (w przypadku wibracji) oraz organizacja pracy.

CS



VAROVÁNÍ

Deklarované celkové hodnoty vibrací a deklarované hodnoty hluku uvedené v tomto návodu byly změněny standardizovanou zkušební metodou a mohou být použity k porovnání jednoho mřivočase s druhým. Mohou být použity k předběžnému posouzení vystavení vibracím a hluku.

Deklarované hodnoty vibrací a hluku jsou vymezeny hlavními způsoby použití tohoto mřivočasu. Pokud je však mřivočas použit jiným způsobem, s jiným příslušenstvím nebo při nedostatečném údržbě, úrovně vibrací a hluku se mohou lišit. Tyto podmínky mohou podstatně zvýšit úroveň vystavení vibracím a hluku za celou pracovní dobu. Při odhadu úrovně vystavení vibracím a hluku je nutné vzít i úvahu také dobu, kdy je mřivočas vypnutý nebo běží naprázdno. Tyto podmínky mohou podstatně snížit úroveň vystavení vibracím a hluku za celou pracovní dobu.

K ochraně obsluhy před účinky vibrací a hluku určete další bezpečnostní opatření, například provádění údržby mřivočasu a příslušenství, udržování rukou v teple (v případě vibrací) a organizování pracovních cyklů.

HU



FIGYELMEZTETÉS

A jelen használati kézikönyvben közölt rezgés- és zajkibocsátási értékeket szabványosított vizsgálat segítségével mértük, amelynek segítségével az eszközök egymással összehasonlíthatók. Ezek alkalmazhatóak a kitetségi előzetes felmérésére is.

A megadott rezgés-kibocsátási és zajkibocsátási szint az eszköz fő alkalmazásait jelöli. Azonban ha az eszközt nem megfelelően tartják karban, különböző alkalmazásokra vagy eltérő tartozékokkal használják, akkor a rezgés- és zajkibocsátás változhat. Ezek a beavatkozások jelentősen növelhetik a kitetségi szintet a teljes működési időtartam során. A rezgésnek és zajnak való kitetségi szint becsült értékét akkor is figyelembe kell venni, amikor az eszköz ki van kapcsolva, vagy amikor csak tétlenül jár. Ezek jelentősen csökkenthetik a kitetségi szintet a teljes működési időtartam során.

A kezelő rezgés- és zajártalom elleni védelméhez tegyen meg további biztonsági intézkedéseket, mint pl. az eszköz és alkatrészei karbantartása, a kéz melegen tartása (rezgés esetén) és a munkavégzési folyamat megszerzése.

RO



AVERTISMENT

Nivelul total al vibrațiilor și valorile emisiilor de zgomot declarate în acest manual cu instrucțiuni au fost măsurate în conformitate cu o metodă de testare standardizată și pot fi utile pentru compararea uneltelor între ele. Acestea pot fi utilizate pentru evaluarea preliminară a expunerii.

Valorile emisiilor de vibrație și de zgomot declarate sunt relevante pentru domeniul de utilizare al acesteia unelte. Totuși, dacă uneltea este utilizată în alte scopuri, cu alte accesorii sau este întreținută necorespunzător, nivelul vibrațiilor și al zgomotului poate fi diferit. În acest caz, nivelul de expunere total, pe parcursul întregii perioade de lucru, poate crește. O estimare a nivelului de expunere la vibrații și zgomot trebuie să țină cont și de numărul de porniri-opriți, precum și de perioadă în care uneltea este oprită sau funcționează în gol. În acest caz, nivelul de expunere total, pe parcursul întregii perioade de lucru, poate fi mai mic.

Identificați măsuri de protecție suplimentare pentru protecția operatorului contra efectelor vibrațiilor și zgomotului, precum întreținerea uneltei și a accesoriilor, menținerea mâinilor calde (în caz de vibrație) și organizarea de perioade de lucru.

LV



BRĪDINĀJUMS

Deklarētie kopējie vibrāciju līmeņi un deklarētie troksņu izstarošanas līmeņi, kas norādīti šajā instrukcijā ir mērīti saskaņā ar standartizētajiem testiem, un var tikt izmantoti viena instrumenta salīdzināšanai ar citu. Tos var izmantot sākotnējai ietekmes novērtēšanai.

Deklarētās vibrāciju un troksņu veidošanās vērtības atspoguļots galvenajiem instrumenta pielietojumiem. Tomēr, ja instrumenti tiek izmantoti citam pielietojumam, izmantotos ar citiem aksesoriem, vai netiek pienācīgi kopti, vibrāciju un troksņu līmeņis var atšķirties. Šie apstākļi var būtiski palielināt ietekmes līmeņi visā darba laikā. Vibrāciju un troksņu iedarbības līmeņa noteikšanai jāņem vērā arī laika posmi, kad instrumenti ir izslēgti, vai arī darbojas tukšgaitā. Šie apstākļi var būtiski samazināt ietekmes līmeņi visā darba laikā.

Nosakiet papildu drošības pasākumus, lai aizsargātu lietotāju no vibrācijas un troksņu ietekmes, piemēram, veicot instrumenta un aprīkojuma apkopes, rīkus uzkrūšēna siltumā (vibrāciju gadījumā), vai organizējot darba grafiku.

LT



ĮSPĖJIMAS

Šioje naudojimo instrukcijoje nurodytos keliamos vibracijos vertės nustatytos atsižvelgiant į standartinį bandymo metodą, todėl jas galima palyginti su kitų elektrinių įrankių keliamo vibracija. Jos taip pat gali būti naudojami preliminariam vibracijos poveikiui įvertinti.

Deklaruojamos vibracijos ir skleidžiamo triukšmo vertės atspindi pagrindinius įrenginio taikymo būdus. Tačiau, jei šiuo įrenginiu atliekami kiti darbai, naudojant kitus priedus arba prastai prižiūrinamus priedus, keliamos vibracijos ir triukšmo vertės gali skirtis. Šiomis sąlygomis gali žymiai padidėti vibracijos poveikio lygtai per visą darbo laiką. Vertinant vibracijos ir triukšmo poveikio lygį per tam tikrą darbo laikotarpį, reikia atsižvelgti ne tik į laiką, kai įrenginys veikia, bet ir į tą laiką, kai įrenginys yra išjungtas, ir į laiką, kai jis veikia tuščiajame aigbe be apkrovos. Šiomis sąlygomis gali žymiai sumažėti vibracijos poveikio lygis per visą darbo laiką.

Nustatykite papildomus saugos priemonės, skirtas operatoriui apsaugoti nuo vibracijos ir triukšmo poveikio, pvz., technikai prižiūrėti įrenginį ir priedus, laikykite rankas šiltai (vibracijos atveju) ir organizuokite darbo pamainas.

ET



HOIATUS

Kāesolevas jūhendis toodud vibratsioonitase ja deklareeritud müraemissiooni väärtused on mõeldatud standardmeetodi järgi ja seda saab kasutada tööstada omavaheliseks võrdlemiseks. Neid võib kasutada ka emissiooni esialgseks hindamiseks.

Deklareeritud vibratsiooni ja müraemissiooni väärtused kehtivad tööstada peamistele rakendustele. Kui aga tööstada kasutatakse muudeks töödeks, rakendatakse teisi tehnikaid või kui tööstada hooldus pole piisav, võib vibratsiooni ja müraemissiooni tase kõhkuda. Need tingimused võivad emissiooni tööperioodi jooksul tunduvalt suurendada. Vibratsiooni ja müraemissiooni täpseks hindamiseks tuleb arvestada võtta ka aega, mil seade on välja lülitatud või sisse lülitatud, kuid tegelikult tööd rakendamata. Need tingimused võivad emissiooni tööperioodi jooksul tunduvalt vähendada.

Tehke kindlaks täiendavad ohutusmeetmed kasutaja kaitsmiseks vibratsiooni ja müra mõju eest näiteks tööstada ja lisaseadmete hooldamine, kate soojas hoidmine (vibratsiooni korral) ja töökorraldus.

HR



UPOZORENJE

Deklarirane ukupne vrijednosti vibracija i deklarirane emisije buke navedene u ovom priručniku s uputama izmjerenje su u skladu sa standardiziranim ispitnom metodom i mogu se koristiti za usporedbu jednog alata s drugim. Moguće ih je upotrijebiti za preliminarnu procjenu izlaganja.

Deklarirane vrijednosti razine emisije vibracija i buke predstavljaju glavne primjene alata. Međutim, ako se alat koristi za druge primjene, koristi s različitim dodacima ili ako se loše održava, emisija vibracija i buke se može razlikovati od navedene vrijednosti. Ti uvjeti mogu uzrokovati značajno povećanje razine izloženosti u ukupnom vremenu rada alatom. Procjena razine izloženosti vibracijama i buci također bi trebala uzeti u obzir i vrijeme u kojem je alat isključen ili radi u praznom hodu. Ti uvjeti mogu uzrokovati značajno smanjenje razine izloženosti u ukupnom vremenu rada alatom.

Utvrđite dodatne sigurnosne mjere za zaštitu rukovatelja od djelovanja vibracija i buke, kao što su održavanje alata i pribora, održavanje topline ruku (u slučaju vibracija) i organiziranje radnog vremena.

SL



OPOROZORI

Skupni vrednosti emisij vibracij in emisij hrupa, navedeni v tem priručniku, sta bili izmerjeni v skladu z metodo standardiziranega preskusa in se lahko uporabljata za medsebojno primerjavo orodja. Uporabljajo se lahko za predhodno oceno stopnje izpostavitosti.

Navedeni vrednosti emisij vibracij in hrupa veljata za glavne namene uporabe orodja. Vendar, če se orodje uporablja v druge namene, z drugačnimi dodatki ali je slabo vzdrževano, sta lahko ravni emisij vibracij in hrupa drugačni. V tem pogojih se lahko stopnja izpostavitosti v celotnem delovnem obdobju občutno zviša. V oceni stopnje izpostavitosti vibracijam in hrupu je treba upoštevati tudi obdobja, v katerih je orodje ugasnjeno oziroma teče, vendar ni v dejanski uporabi. V tem pogojih se lahko stopnja izpostavitosti v celotnem delovnem obdobju občutno zniža.

Ugotovite dodatne varnostne ukrepe za zaščito uporabnika pred učinki vibracij in hrupa, kot je vzdrževanje orodja in dodatkov, ohranjanje toplih rok (v primeru vibracij) in organizacija delovnih vzorcev.

SK



VAROVANIE

Deklarované celkové hodnoty vibráci a deklarované hodnoty emisii hluku uvedené v tomto návodu na obsluhu boli merané v súlade so štandardizovanou skúškou a môžu sa použiť na porovnanie jedného náradia s druhým. Môžu sa použiť na predbežné posúdenie expozície.

Deklarované hodnoty vibráci a emisii hluku sú pre hlavné použitia nástroja. No ak sa náradie používa na ine aplikácie, v spojení s iným príslušenstvom alebo je jeho údržba nepostačujúca, emisie vibráci a hluku sa môžu líšiť. Tieto podmienky značne zvýšia úroveň expozície počas celkovej pracovnej doby. Odhad úrovne expozície účinkom vibráci a hluku môžu takzako zohľadniť čas vypnutia náradia alebo ak boli na volobe. Tieto podmienky môžu značne znížiť úroveň expozície počas celkovej pracovnej doby.

Identifikujte ďalšie bezpečnostné opatrenia na ochranu obsluhu pred účinkami vibráci a hluku, ako je napríklad udržiavanie náradia a príslušenstva, udržiavanie teplých rúk (v prípade vibráci) i organizácia pracovných postupov.

BG



ВНИМАНИЕ

Декларираните общи стойности на излъчените вибрации и на шумовите емисии, посочени в настоящото ръководство, са измерени в съответствие със стандартизиран тестов метод и може да се използват за сравнение на един инструмент с друг. Те може да се използват за предварително оценяване на въздействието.

Декларираните стойности на излъчените вибрации и на шумовите емисии представляват основните приложения на инструмента. Въпреки това, ако инструментът се използва за различни приложения, с различни принадлежности или поддръжката му е некачествена, излъчените вибрации и шумовите емисии могат да се различават. Тези условия могат значително да увеличат нивото на излагане през целия срок на работа. При оценяване на нивото на излагане на вибрации и шум също трябва да се вземе предвид колко пъти инструментът е бил изключван или колко пъти е работил на празен ход. Тези условия могат значително да намалят нивото на излагане през целия срок на работа.

Определете допълнителни мерки за предпазване на оператора от ефектите от вибрациите и шума, като например поддръжка на инструментите и аксесоарите, поддръжка на ръцете топли (в случай на вибрации), организация на моделите за работа.

UK



ПОПЕРЕДЖЕННЯ

Значения вибрації та шуму, наведені в цьому керівництві, вимірювалися відповідно до стандартизованого методу випробування та можуть бути використані для порівняння одного інструменту з іншим. Ними можна користуватися для попередньої оцінки впливу.

Наведені значення виміряно при стандартній експлуатації виробу. Утім якщо виріб використовується для інших цілей, з іншими додатковими пристосуваннями або ж не проходить належного обслуговування, рівні вібрації та шуму можуть відрізнятись від зазначених. Як наслідок, рівні впливу вирободж загального робочого часу можуть значно збільшитись. При оцінці рівнів впливу вібрації та шуму слід враховувати періоди, коли виріб вимкнений або працює на холостих обертах. Як наслідок, рівні впливу вирободж загального робочого часу можуть значно зменшитись.

Дотримуйтеся додаткових заходів, які можуть захистити оператора від впливу вібрації та шуму: підтримуйте пристрій та додаткові пристосування у належному стані, слідуйте, щоби руки залишалися теплими (при вібрації), та продумайте графік роботи.

TR



UYARI

Bu kullanim klavuzunda verilen toplam titreşim değerleri ve gürültü emisyonu değerleri standartlaştırılmış bir teste göre ölçülmüştür ve bir aleti diğerine karşılaştırma için kullanılabılır. Maruz kalmanın önceden değerlendirilmesi için kullanılabılır.

Buyan edilen titreşim ve gürültü emisyonu değerleri aletin ana uygulamaları için temsil eder. Ancak, alet farklı uygulamalar için kullanılıyorsa, farklı aksesuarlarla kullanılıyorsa ve bakımı yapılmıyorsa, titreşim ve gürültü emisyonu değeri farklı olabilir. Bu koşullar toplam çalıřma süresi genelinde maruz kalma düzeylerini önemli oranda artırabilir. Titreşim ve gürültüye maruz kalma seviyesinin tahminleri aletle kapatıldığı veya bořta çalıřtığı süreler dikkate alınmalıdır. Bu koşullar toplam çalıřma süresi boyunca maruz kalma seviyesini önemli oranda azaltabilir.

Kullanılan kiřiyi titreşim ve gürültüden etkilerinden korumak için aletin ve aksesuarların bakımını yapın, (titreşim halinde) elleri sıcak tutmak ve çalıřma modelleri organize etmek gibi ilave güvenliç önlemlerini tanımlayın.

EL



Προειδοποίηση

Οι δηλωθείσες συνολικές τιμές κραδασμών και εκπομπών θορύβου που αναφέρονται σε αυτό το χειρίδιο οβήθηκαν έχον μετρηθεί σύμφωνα με μια τυποποιημένη μέθοδο δοκιμής και μπορούν να χρησιμοποιηθούν για τη σύγκριση εργαλείων μεταξύ τους. Μπορούν να χρησιμοποιηθούν για προκαταρκτική αξιολόγηση της έκθεσής.

Οι δηλωθείσες τιμές κραδασμών και εκπομπών θορύβου αφορούν ισχύοντα για τις κύριες εφαρμογές του εργαλείου. Ωστόσο, εάν το εργαλείο χρησιμοποιείται για διαφορετικές εφαρμογές, με διαφορετική εξάρτηση ή δεν συντηρείται σωστά, οι τιμές κραδασμών και εκπομπών θορύβου μπορεί να διαφέρουν. Οι προληπτικές αυτές μετρήσεις να αυξήσουν σημαντικά τα επίπεδα έκθεσής κατά τη διάρκεια της συνολικής διάρκειας εργασίας. Θα πρέπει να ληφθεί υπόψη η εκτίμηση της έκθεσής σε κραδασμούς και θόρυβο όταν το εργαλείο είναι απενεργοποιημένο ή όταν μεταβαίνει σε αδράνεια. Οι συνθήκες αυτές μπορεί να μειώσουν σημαντικά τα επίπεδα έκθεσής κατά τη διάρκεια της συνολικής διάρκειας εργασίας.

Προσδιορίστε πρόσθετα μέτρα ασφαλείας για την προστασία του χειριστή από τις επιπτώσεις των κραδασμών και του θορύβου, όπως συντήρηση του εργαλείου και των εξαρτημάτων, διατήρηση των χεριών ζεστών, (σε περίπτωση κραδασμών) και οργανώση σχεδίων εργασίας.

EN RYOBI GUARANTEE APPLICATION CONDITIONS

In addition to any statutory rights arising from the purchase of a product and without prejudice on the statutory rights which apply independently and free of charge, all new RYOBI branded power tools and/or garden tools listed on our website, excluding tool accessories, tool storage systems, and spare parts, as further outlined under "Product", are covered by a voluntary guarantee issued by Techtronic Industries GmbH ("TTI") subject to the terms and conditions as stated below ("Guarantee").

The Guarantee is only applicable to purchaser(s) who purchase the products as end users in their capacity as Consumers ("Consumer"). Retailers, rental companies, as well as professional end users are expressly excluded from these general terms and conditions of the Guarantee. For professional end users, a different type of voluntary guarantee may be applicable to certain product(s), if explicitly provided on the www.ryobitools.eu website. The invocation of this voluntary Guarantee does not limit the statutory legal rights of the Consumer in case of a defect.

1. The standard guarantee ("Standard Guarantee"), provided that the Product is purchased for private use only, has a term of 24 months ("Standard Guarantee Period") and commences on the date the product was purchased. This date must be documented by an invoice or other proof of purchase in order for the Standard Guarantee to be valid and enforceable. This Standard Guarantee also only applies to new Product(s).

2. Consumers in certain countries may be able to extend the Standard Guarantee for eligible Products beyond the period of the Standard Guarantee by registering on the www.ryobitools.eu website. The eligibility of Products for the extended Guarantee ("Extended Guarantee") is specified on the packaging of a Product, on the website at www.ryobitools.eu, and/or is contained within the relevant Product documentation under <https://www.ryobitools.eu>. In order to benefit from the Extended Guarantee, Consumers are required to register their Product(s) online within 30 calendar days from the date of purchase to benefit from this Extended Guarantee. All personal information of a Consumer will be processed in accordance with the privacy statement, which can be found here <https://uk.ryobitools.eu/footer-links/privacy-policy/>. The registration confirmation receipt, which is sent out by e-mail, and the original invoice showing the date of purchase will serve as proof of the Extended Guarantee.

3. The Standard Guarantee and the Extended Guarantee ("Guarantees") are limited to repair and/or replacement of the defective Product at the discretion of TTI provided that the defect in workmanship or material existed at the date of purchase. No further costs or losses can be claimed. In addition, the Guarantees do not apply to:

- any damage caused accidentally, willfully, or negligently by the Consumer
- any damage to the Product that is the result of improper treatment or lack of maintenance
- any Product that has been altered or modified
- any Product where original identification (trade mark, serial number) markings have been defaced, altered or removed
- any damage caused by non-observance of the instruction manual
- Products, which are not subject to a CE/UKCA marking
- any Product that has been attempted to be repaired by a non-authorised service centre or without prior authorisation by TTI
- any Product connected to improper power supply (amps, voltage, frequency)
- any Product used with inappropriate fuel mixture (fuel, oil, ratio of oil)
- any damage caused by external influences (water, chemical, physical, shocks) or foreign substances
- normal wear and tear of spare parts
- inappropriate use, overloading of the Product(s)
- use of non-approved accessories or parts
- power tool accessories provided with the tool or purchased separately. Such exclusions including but not limited to screw driver bits, drill bits, abrasive discs, sand paper and blades, lateral guide
- components (parts and accessories) which are subject to normal wear and tear, including but not limited to service and maintenance kits, carbon brushes, bearings, chucks, SDS drill bit attachment or reception, power cord, auxiliary handle, transport carry case, sanding plate, dust bag, dust exhaust tube, felt washers, impact wrench pins and springs, bump knobs, drive belts, clutch, blades of hedge trimmers or lawnmowers, harness, cable throttle, lines, felt washers, hitch pins, blower fans, blower and vacuum tubes, vacuum bag and straps, guide bars, saw chains, hoses, connector fittings, spray nozzles, wheels, spray wand, inner reels, outer spools, cutting lines, spark plugs, air filters, gas filters, mulching blades, etc.

4. For guarantee servicing, the Product(s) must be sent or presented without undue delay after occurrence or recognition of the defect in workmanship or material to an authorised RYOBI service partner listed on the following website <https://www.ryobitools.eu>. Consumers can obtain the services under the Guarantees from a RYOBI service partner by

- a. contacting the retailer where the purchase was made; or
- b. registering via the service platform available on the RYOBI Commercial webpage <https://www.ryobitools.eu/>, the availability of the process might vary from country to country.

When sending a Product to an authorised RYOBI service partner, the Product shall be safely packaged without hazardous contents (for details, please see the safety instructions on the website at <https://www.ryobitools.eu/>), marked with sender's address and accompanied by a short description of the defect. Please note that in some countries delivery charges or postage will have to be paid by the sender according to local practice. Please consult your local authorised RYOBI service centre to confirm whether such charges apply.

5. Upon receipt of the Product claimed to be defective by the Consumer, it will be inspected. When the defect has been confirmed, the services under the Guarantees will be provided by repairing the defective parts of the products or replacing them by non-defective parts at TTI's discretion. If TTI refuses to repair the defect or if, at TTI's discretion, the repair has failed, an equivalent replacement will be supplied. The replaced Product(s) or part(s) will become the property of TTI. Any repair/replacement(s) under the Guarantees above are free of charge. The repair/replacement(s) conducted by TTI do not constitute an extension or a new start of the Guarantees. The replaced spare parts are subject to the Guarantees originally given and the period for the Guarantees will end with period for the Guarantee that was originally given for the entire product.

6. The RYOBI Guarantees are granted by Techtronic Industries GmbH, Max-Eyth-Str.10, 71364 Winnenden, Germany, only to the Consumer that originally purchased the Product and may not be transferred or assigned.

7. The Guarantees are valid in the European Economic Areas (EEA), Switzerland, and the United Kingdom. Outside these areas, please contact the retailer where the purchase was made to find out if another voluntary guarantee applies.

FR CONDITIONS D'APPLICATION DE LA GARANTIE RYOBI

Outre les droits statutaires découlant de l'achat d'un produit et sans préjudice des droits statutaires qui s'appliquent indépendamment et gratuitement, tous les nouveaux outils électriques et/ou outils de jardin de marque RYOBI répertoriés sur notre site Web, à l'exclusion des accessoires pour outils, des systèmes de rangement pour outils et des pièces de rechange, comme décrit ci-dessous (« Produit »), sont couverts par une garantie volontaire émise par Techtronic Industries GmbH (« TTI ») sous réserve des conditions générales mentionnées ci-dessous (« Garantie »).

La Garantie ne s'applique qu'aux acheteurs qui achètent les produits en tant qu'utilisateurs finaux et en leur qualité de consommateurs (« Consommateur »). Les détaillants, les sociétés de location ainsi que les utilisateurs finaux professionnels sont expressément exclus des présentes conditions générales de la Garantie. Pour les utilisateurs finaux professionnels, un autre type de garantie volontaire peut être applicable à certains produits, si cela est expressément indiqué sur le site Web www.ryobitools.eu. Le recours à cette Garantie volontaire ne limite pas les droits légaux du Consommateur en cas de défaut.

1. La garantie standard (« Garantie standard »), à condition que le produit soit acheté pour un usage privé uniquement, couvre une période de 24 mois (« Période de garantie standard ») et commence à la date d'achat du produit. Cette date doit être attestée par une facture ou une autre preuve d'achat pour que la Garantie standard soit valide et applicable. Cette Garantie standard s'applique également uniquement au(x) nouveau(x) Produit(s).

2. Les Consommateurs de certains pays peuvent être en mesure de prolonger la Garantie standard pour les Produits éligibles au-delà de la période de la Garantie standard en s'enregistrant sur le site Web www.ryobitools.eu. L'éligibilité des Produits à la garantie étendue (« Garantie étendue ») est spécifiée sur l'emballage d'un Produit, sur le site Web à l'adresse www.ryobitools.eu, et/ou est mentionnée dans la documentation relative au Produit concerné à l'adresse <https://www.ryobitools.eu>. Pour bénéficier de la Garantie étendue, les Consommateurs sont tenus d'enregistrer leur(s) Produit(s) en ligne dans les 30 jours calendaires suivant la date d'achat. Toutes les informations personnelles d'un Consommateur seront traitées conformément à la déclaration de confidentialité, disponible à l'adresse suivante : <https://uk.ryobitools.eu/footer-links/privacy-policy/>. Le reçu de confirmation de l'enregistrement, envoyé par courrier électronique, et la facture originale indiquant la date d'achat serviront de preuve pour la Garantie étendue.

3. La Garantie standard et la Garantie étendue (« Garanties ») se limitent à la réparation et/ou au remplacement du Produit défectueux à la discrétion de TTI, si le défaut de fabrication ou de matériau était présent à la date d'achat. Les frais ou pertes supplémentaires ne peuvent être réclamés. En outre, les Garanties ne s'appliquent pas :

- aux dommages causés accidentellement, volontairement ou par négligence par le Consommateur
- aux dommages causés au Produit en raison d'un mauvais traitement ou d'un manque d'entretien
- aux Produits qui ont été altérés ou modifiés
- aux Produits dont les marquages d'identification d'origine (marque, numéro de série) ont été dégradés, modifiés ou enlevés
- aux dommages causés par le non-respect du manuel d'instructions
- aux Produits qui ne font pas l'objet d'un marquage CE/UKCA
- aux Produits ayant fait l'objet de tentatives de réparation par un centre d'entretien non agréé ou sans l'autorisation préalable de TTI
- aux Produits raccordés à une alimentation électrique inadaptée (ampérage, tension, fréquence)
- aux Produits utilisés avec un mélange de carburants inapproprié (carburant, huile, proportion d'huile)
- aux dommages causés par des influences extérieures (eau, produits chimiques, physiques, chocs) ou des substances étrangères
- à l'usure naturelle des pièces détachées
- à une utilisation inappropriée, à une surcharge du ou des Produits
- à l'utilisation d'accessoires ou de pièces non agréés
- aux accessoires de l'outil électrique fournis avec l'outil ou achetés séparément. Ces exclusions comprennent, mais sans s'y limiter, les embouts de tournevis, les forets, les disques abrasifs, le papier abrasif, les lames, le guide latéral
- les composants (pièces et accessoires) sujets à une usure naturelle y compris, mais sans s'y limiter, les kits d'entretien et de maintenance, les brosses en carbone, les roulements, le mandrin, les forets ou la réception SDS, le cordon d'alimentation, la poignée auxiliaire, la rampe de transport, la plaque de ponçage, le sac à poussière, la lya d'évacuation de poussière, les mallettes en feutre, les gouilles et les ressorts de la clé à choc, les têtes de fil à tresser, les courroies d'entraînement, l'embrayage, les lames de taille-haies ou de tondeuses à gazon, le harnais, le câble d'accélération, les dents, les gouilles d'atelage, les ventilateurs de soufflerie, les tubes de soufflerie et d'aspiration, les sangles et le sac d'aspiration, les barres de guidage, les chaînes de scie, les flexibles, les raccords de connexion, les buses de pulvérisation, les roues, les bougies de pulvérisation, les bobines intérieures et extérieures, les lignes de coupe, les bougies d'allumage, les filtres à air, les filtres à carburant, les lames de décoquantage, etc.

4. Pour bénéficier de la garantie, le ou les Produits doivent être envoyés ou présentés immédiatement après l'apparition ou la constatation du défaut de fabrication ou de matériau à un partenaire de service RYOBI agréé, dont la liste figure sur le site Web <https://www.ryobitools.eu/>. Les consommateurs peuvent bénéficier des services prévus par les Garanties auprès d'un partenaire de service de RYOBI

- a. en contactant le détaillant auprès duquel l'achat a été effectué ; ou
- b. en s'inscrivant via la plateforme de service disponible sur le page Web commerciale de RYOBI <https://www.ryobitools.eu/>. La disponibilité peut varier d'un pays à l'autre.

Lors de l'envoi d'un Produit à un partenaire de service RYOBI agréé, le Produit doit être emballé soigneusement et sans contenu dangereux (pour plus de détails, veuillez consulter les instructions de sécurité sur le site Web <https://www.ryobitools.eu/>), comporter l'adresse de l'expéditeur et être accompagné d'une brève description du défaut. Veuillez noter que dans certains pays, les frais de livraison ou d'affranchissement devront être payés par l'expéditeur conformément aux pratiques locales. Veuillez consulter votre centre d'entretien local RYOBI agréé pour savoir si ces frais s'appliquent.

5. Le Produit déclaré défectueux par le Consommateur sera inspecté dès sa réception. Une fois le défaut confirmé, les services prévus par les Garanties seront assurés avec la réparation des pièces défectueuses des produits ou leur remplacement par des pièces non défectueuses, à la discrétion de TTI. Si TTI refuse de réparer le défaut ou si la réparation a échoué, à la discrétion de TTI, un produit de remplacement équivalent sera fourni. Les Produits ou pièces remplacés deviennent alors la propriété de TTI. Les réparations ou remplacements effectués dans le cadre des Garanties susmentionnées sont gratuits. Les réparations/remplacements effectués par TTI ne constituent pas une extension ou une nouvelle entrée en vigueur des Garanties. Les pièces de rechange remplacées sont soumises aux Garanties initialement accordées et la période des Garanties se terminera en même temps que la période de la Garantie initialement accordée pour l'ensemble du produit.

6. Les Garanties RYOBI sont accordées par Techtronic Industries GmbH, Max-Eyth-Str.10, 71364 Winnenden, Allemagne, uniquement au Consommateur qui a initialement acheté le Produit et ne peuvent être transférées ou cédées.

7. Les Garanties sont valables dans l'Espace économique européen (EEE), en Suisse et au Royaume-Uni. En dehors de ces zones, veuillez contacter le détaillant auprès duquel l'achat a été effectué pour savoir si une autre garantie volontaire s'applique.

DE ANWENDUNGSBEDINGUNGEN DER RYOBI-GARANTIE

Zusätzlich zu den beim Kauf eines Produkts generell bestehenden gesetzlichen Rechten – und unbeschadet dieser gesetzlichen Rechte, die weiterhin unabhängig und kostenfrei bestehen – sind alle auf unserer Website angebotenen neuen Elektrowerkzeuge und/oder Gartenwerkzeuge der Marke RYOBI – wie unter „Produkt“ näher ausgeführt und mit Ausnahme von Werkzeugzubehör, Werkzeugaufbewahrungssystemen und Ersatzteilen – durch eine freiwillige Garantie abgedeckt, die von der Technonic Industries GmbH („TTI“) gemäß den unten aufgeführten Bedingungen ausgestellt wird („Garantie“).

Die Garantie gilt nur für Käufer, die die Produkte als Endbenutzer in ihrer Eigenschaft als Verbraucher („Verbraucher“) käuflich erwerben. Einzelhändler, Vermietungsunternehmen sowie professionelle Endbenutzer sind von diesen allgemeinen Garantiebedingungen ausdrücklich ausgeschlossen. Für professionelle Endbenutzer gilt für bestimmte Produkte u. U. eine andere Art der freiwilligen Garantie, wenn dies ausdrücklich auf der Website www.ryobitools.eu so angegeben ist. Die Inanspruchnahme dieser freiwilligen Garantie schränkt die im Falle eines Mangels geltenden allgemeinen gesetzlichen Rechte des Verbrauchers nicht ein.

- Die Standardgarantie („Standardgarantie“) hat – sofern das Produkt nur für den privaten Gebrauch erworben wurde – eine Laufzeit von 24 Monaten („Standardgaranzzeitraum“) und beginnt mit dem Kaufdatum des Produkts. Dieses Datum muss durch eine Rechnung oder einen anderen Kaufbeleg dokumentiert werden, damit die Standardgarantie gültig und durchsetzbar ist. Diese Standardgarantie gilt zudem nur für neue Produkte.
- In einigen Ländern haben Kunden bei bestimmten Produkten die Option, die Standardgarantie über den Standardgaranzzeitraum hinaus zu verlängern, indem sie sich auf der Website www.ryobitools.eu registrieren. Ob für ein Produkt die Option einer erweiterten Garantie („erweiterte Garantie“) besteht, ist auf der Verpackung des jeweiligen Produkts, auf der Website www.ryobitools.eu und/oder in der entsprechenden Produktdokumentation unter <https://www.ryobitools.eu> angegeben. Um von der erweiterten Garantie profitieren zu können, müssen Verbraucher ihr(e) Produkt(e) innerhalb von 30 Kalendertagen ab Kaufdatum online registrieren. Alle personenbezogenen Daten von Verbrauchern werden gemäß der Datenschutzerklärung verarbeitet, die Sie hier finden: <https://uk.ryobitools.eu/footer/links/privacy-policy/>. Der Bestätigungsbefehl für die Registrierung, der per E-Mail versandt wird, und die Originalrechnung mit dem Kaufdatum dienen als Nachweis für die erweiterte Garantie.
- Die Standardgarantie und die erweiterte Garantie („Garantien“) sind auf die Reparatur und/oder den Ersatz des defekten Produkts nach Ermessen von TTI beschränkt, sofern der Defekt in der Verarbeitung oder im Material bereits zum Kaufdatum vorlag. Weitere Kosten oder Verluste können nicht geltend gemacht werden. Darüber hinaus gelten die Garantien nicht für:
 - Schäden, die versehentlich, vorsätzlich oder fahrlässig durch den Verbraucher verursacht wurden
 - Schäden am Produkt, die auf unsachgemäße Behandlung oder mangelnde Wartung zurückzuführen sind
 - Produkte, die verändert oder modifiziert wurden
 - Produkte, bei denen die Originalkennzeichnung (Marke, Seriennummer) unkenntlich gemacht, verändert oder entfernt wurde
 - Schäden, die durch die Nichtbeachtung der Bedienungsanleitung entstanden sind
 - Produkte, die nicht der CE/UKCA-Kennzeichnung unterliegen
 - Produkte, bei denen ein Reparaturversuch durch ein nicht autorisiertes Servicecenter oder ohne vorherige Genehmigung durch TTI durchgeführt wurde
 - Produkte, die an eine falsche Stromversorgung (Amperes, Spannung, Frequenz) angeschlossen wurden
 - Produkte, die mit einem ungeeigneten Kraftstoffgemisch (Kraftstoff, Öl, Ölverhältnis) verwendet wurden
 - Schäden, die durch äußere Einflüsse (Wasser, Chemikalien, physikalische Einflüsse, Stoßeinwirkungen) oder fremde Substanzen verursacht wurden
 - normales Verschleiß von Ersatzteilen
 - unsachgemäße Verwendung, Überlastung des Produkts/der Produkte
 - Verwendung von nicht zugelassenen Zubehör- oder Ersatzteilen
 - Elektrowerkzeug-Zubehör, das im Lieferumfang des Werkzeugs enthalten war oder separat erworben wurde. Diese Ausschüsse gelten unter anderem für Schraubensätze, Bohrensätze, Schleichschleiben, Schleifpappe und Klingens, seitliche Führungen
 - Komponenten (Teile und Zubehör), die normalerweise unterliegen wie unter anderem Wangenklappen, Korbbürsten, Lager, Spannfutter, SDS-Bohrkronenauflauf- oder -aufnahmen, Netzabkabel, Zusatzgriff, Transporthorfer, Schleifplatte, Staubbeutel, Staubsaugbohrer, Flitzschleibe, Schlüsselschliffleiste und -federn, Anschlagknöpfe, Antriebsriemen, Kupplungen, Klängen von Heckschere oder Rasenmäher, Gurtzeug, Kabeldröseln, Zriemen, Federstifte, Laubbläserventilatoren, Laubbläser oder Staubsaugerohre, Staubsaugbeutel und -riemen, Führungsschienen, Sägeketten, Schläuche, Anschlussstücke, Sprühdüsen, Räder, Sprühdüse, Innenspulen, Außenspulen, Mähmäfen, Zündkerzen, Luftfilter, Gasfilter, Mulchmesser usw.
- Für eine Reparatur im Rahmen der Garantie müssen die Produkte beim Auftreten von Verarbeitungs- oder Materialfehlern, bzw. sobald diese bemerkt werden, unverzüglich an einen autorisierten RYOBI-Servicepartner gesendet oder diesem vorgelegt werden. Eine Liste der RYOBI-Servicepartner finden Sie auf der folgenden Website: <https://www.ryobitools.eu/>. Verbraucher können die Services eines RYOBI-Servicepartners im Rahmen der Garantien in Anspruch nehmen, indem sie
 - a. den Händler kontaktieren, bei dem der Kauf getätigt wurde; oder
 - b. sich bei der Service-Plattform auf der kommerziellen Website von RYOBI registrieren (<https://www.ryobitools.eu/>). Dieser Prozess ist nicht in jedem Land verfügbar.Für den Versand an einen autorisierten RYOBI-Servicepartner muss das Produkt sicher verpackt werden und darf keine gefährlichen Komponenten enthalten (Einzelteilen finden Sie in den Sicherheitsanweisungen auf der Website unter <https://www.ryobitools.eu/>). Die Sendung muss zudem mit der Absenderadresse gekennzeichnet werden und eine kurze Beschreibung des Defekts enthalten. Bitte beachten Sie, dass Versandkosten oder Porto in einigen Ländern gemäß den lokalen Regelungen vom Absender bezahlt werden müssen. Bitte wenden Sie sich an ein autorisiertes RYOBI-Servicecenter in Ihrem Land, um zu erfahren, ob solche Kosten anfallen.
- Nach Eingang des vom Verbraucher als defekt bestandskunden Produkts, wird das Produkt untersucht. Wird der Mangel bestätigt, werden die im Rahmen der Garantie abgedeckten Leistungen erbracht, indem die defekten Teile der Produkte repariert oder nach Ermessen von TTI durch nicht defekte Teile ersetzt werden. Wenn TTI den Defekt nicht reparieren möchte oder wenn die Reparatur nach Ermessen von TTI nicht erfolgreich war, wird ein gleichwertiges Ersatzprodukt bereitgestellt. Produkte oder Teile, für die ein Ersatz bereitgestellt wurde, gehen damit wieder in das Eigentum von TTI über. Alle Reparaturen/Austauscharbeiten im Rahmen der oben genannten Garantie sind für den Verbraucher kostenlos. Mit den von TTI durchgeführten Reparaturen bzw. mit der Bereitstellung von Ersatzprodukten geht keine Verlängerung der Garantie bzw. kein Neustart des Garantiezeitraums einher. Die ersetzten Teile unterliegen den ursprünglich gewährten Garantien, und der Garantiezeitraum endet mit dem Ablauf des Garantiezeitraums der ursprünglich für das gesamte Produkt gewährten Garantie.
- Die Technonic Industries GmbH, Max-Eyth-Str.10, 71364 Winnenden, Deutschland, gewährt die RYOBI-Garantie ausschließlich dem Verbraucher, der das Produkt ursprünglich erworben hat. Die RYOBI-Garantien können dementsprechend nicht übertragen oder abgetreten werden.
- Die Garantien gelten im europäischen Wirtschaftsraum (EWR), in der Schweiz und in Großbritannien. Wenden Sie sich außerhalb dieser Gebiete bitte an den Händler, bei dem das Produkt erworben wurde, um zu erfahren, ob eine anderweitige freiwillige Garantie gelten könnte.

ES CONDICIONES DE APLICACIÓN DE LA GARANTÍA DE RYOBI

Además de los derechos legales derivados de la compra de un producto y sin perjuicio de los derechos legales que se aplican de forma independiente y gratuita, todas las herramientas eléctricas y/o herramientas de jardinería nuevas de la marca RYOBI que aparecen en nuestro sitio web, excluidos los accesorios de herramientas, los sistemas de almacenamiento de herramientas y las piezas de repuesto, como se describe más adelante (en la sección “Producto”), están cubiertas por una garantía voluntaria emitida por Technonic Industries GmbH (“TTI”), sujeta a los términos y condiciones que se indican a continuación (“Garantía”).

La Garantía solo es aplicable al comprador o compradores que adquieran los productos como usuarios finales en su calidad de consumidores (“Consumidor”). Quedan expresamente excluidos de estas condiciones generales de la Garantía los minoristas, las empresas de alquiler y los usuarios finales profesionales. En el caso de los usuarios finales profesionales, puede aplicarse otro tipo de garantía voluntaria a determinados productos, si se indica explícitamente en el sitio web www.ryobitools.eu. La invocación de esta Garantía voluntaria no limita los derechos legales del Consumidor en caso de defecto.

- La Garantía estándar (“Garantía estándar”), siempre que el Producto se adquiriera exclusivamente para uso privado, tiene una duración de 24 meses (“Período de garantía estándar”) y comienza en la fecha de compra del producto. Esta fecha debe documentarse mediante una factura u otro justificante de compra para que la Garantía estándar sea válida y aplicable. Esta Garantía estándar también se aplica únicamente a los Productos nuevos.
- Los consumidores de determinados países pueden ampliar la Garantía estándar de los Productos elegibles más allá del período de Garantía estándar registrándose en el sitio web www.ryobitools.eu. La elegibilidad de los Productos para la garantía ampliada (“Garantía ampliada”) se especifica en el embalaje del Producto, en el sitio web www.ryobitools.eu, o está contenida en la documentación pertinente del Producto en <https://www.ryobitools.eu>. Para beneficiarse de la Garantía ampliada, los Consumidores deben registrar sus Productos en línea en un plazo de 30 días naturales a partir de la fecha de compra. Toda la información personal de un Consumidor se procesará de acuerdo con la declaración de privacidad, que se puede encontrar en <https://uk.ryobitools.eu/footer/links/privacy-policy/>. El recibo de confirmación del registro, que se envía por correo electrónico, y la factura original que muestra la fecha de compra servirán como prueba de la Garantía ampliada.
- La Garantía estándar y la Garantía ampliada (“Garantías”) se limitan a la reparación u/o sustitución del Producto defectuoso a discreción de TTI siempre que el defecto de fabricación o material existiera en la fecha de compra. No se pueden reclamar más costes ni pérdidas. Además, las Garantías no se aplican a:
 - ningún daño causado accidentalmente, voluntariamente o negligentemente por el Consumidor
 - ningún daño en el Producto que sea resultado de un tratamiento inadecuado o de la falta de mantenimiento
 - ningún Producto que haya sido alterado o modificado
 - ningún Producto en el que se hayan deformado, modificado o eliminado las marcas de identificación original (marca comercial, número de serie)
 - ningún daño causado por el incumplimiento del manual de instrucciones
 - Productos que no estén sujetos a la marca CE/UKCA
 - ningún Producto que se haya intentado reparar en un centro de servicio no autorizado o sin la autorización previa de TTI
 - ningún Producto conectado a una fuente de alimentación inadecuada (amperios, voltaje, frecuencia)
 - ningún Producto utilizado con una mezcla de combustible inadecuada (combustible, aceite, proporción de aceite)
 - ningún daño causado por influencias externas (agua, productos químicos, físicos, golpes) o sustancias extrañas
 - desgaste normal de las piezas de repuesto
 - uso inadecuado, sobrecarga de los Productos
 - uso de accesorios o piezas no aprobados
 - accesorios de la herramienta eléctrica suministrados con la herramienta o adquiridos por separado. Tales exclusiones incluyen, entre otros, puntas de destornillador, brocas, discos abrasivos, papeles de lija y cuchillas, guías laterales
 - componentes (piezas y accesorios) sujetos al desgaste normal, incluidos, entre otros, kits de mantenimiento y servicio, escobillas de carbón, cojinetes, portabrocas, fijación o recepción de brocas SDS, cable de alimentación, mango auxiliar, material de transporte, placa de lijado, bolsa para polvo, tubo de escape de polvo, arandelas de filtro, pasadores de llave de impacto y muelles, mandos de tope, correas de transmisión, embrague, cuchillas de cortasetos o cortacespedes, aerosol, acelerador de cable, púas, pasadores de enganche, ventiladores del soplador, tubos del soplador y de vacío, bollos y correas de vacío, barras guía, cadenas de sierra, mangueras, conexiones de conector, bombillas pulverizadoras, ruedas, varillas pulverizadoras, carretes interiores, carretes exteriores, líneas de corte, bujías, filtros de aire, filtros de gas, cuchillas trituradoras, etc.
- Para el servicio de garantía, los Productos deben ser enviados o presentados sin demora indebida tras la aparición o el reconocimiento del defecto de fabricación o material a un socio de servicios de RYOBI autorizado que figure en la siguiente página web <https://www.ryobitools.eu/>. Los consumidores pueden obtener los servicios de las Garantías de un socio de servicios de RYOBI de la siguiente manera:
 - a. poniéndose en contacto con el establecimiento en el que se realizó la compra; o
 - b. registrándose a través de la plataforma de servicios disponible en la página web comercial de RYOBI <https://www.ryobitools.eu/>. La disponibilidad del proceso puede variar de un país a otro.Al enviar un Producto a un socio de servicios de RYOBI, el Producto deberá estar embalado de forma segura y sin contenido peligroso (para más detalles, consulte las instrucciones de seguridad en la página web <https://www.ryobitools.eu/>, marcado con la dirección del remitente y acompañado de una breve descripción del defecto. Tenga en cuenta que, en algunos países, el remitente deberá pagar los gastos de envío o el franquicio de acuerdo con las prácticas locales. Consulte a su centro de servicio local autorizado de RYOBI para confirmar si se aplican dichos cargos.
- Se inspeccionará el Producto que el Consumidor haya declarado como defectuoso tras su recepción. Una vez confirmado el defecto, se prestarán los servicios previstos en las Garantías mediante la reparación de las piezas defectuosas de los productos o su sustitución por piezas no defectuosas a discreción de TTI. Si TTI se niega a reparar el defecto o si, a discreción de TTI, la reparación ha fracasado, se suministrará un reembolso equivalente. Los Productos o las piezas sustituidas pasarán a ser propiedad de TTI. Cualquier reparación/sustitución bajo las Garantías anteriores es gratuita. Las reparaciones/sustituciones realizadas por TTI no constituyen una ampliación ni un nuevo inicio de las Garantías. Las piezas de repuesto sustituidas están sujetas a las Garantías otorgadas originalmente y el período de las Garantías será el período de Garantía concedido originalmente a todo el producto.
- Technonic Industries GmbH, Max-Eyth-Str.10, 71364 Winnenden, Alemania, concede las Garantías de RYOBI únicamente al Consumidor que adquirió originalmente el Producto, y no puede transferirse ni asignarse.
- Las Garantías son válidas en el Espacio Económico Europeo (EEE), Suiza y el Reino Unido. Fuera de estas áreas, póngase en contacto con el establecimiento en el que realizó la compra para averiguar si se aplica otra garantía voluntaria.

IT CONDIZIONI DI APPLICAZIONE DELLA GARANZIA RYOBI

In aggiunta ai diritti di legge risultanti dall'acquisto di un prodotto e senza pregiudicare i diritti di legge applicabili in modo indipendente e gratuito, tutti i nuovi utensili elettrici e/o attrezzi da giardinaggio RYOBI elencati sul nostro sito web, esclusi gli accessori per gli utensili, i relativi sistemi di stoccaggio e le parti di ricambio, come ulteriormente descritti ("Prodotti"), sono coperti da una garanzia volontaria emessa da Techtronic Industries GmbH ("TTI"), nel rispetto dei termini e delle condizioni indicati di seguito ("Garanzia").

La Garanzia è valida solo per gli acquirenti che acquistano i prodotti come utenti finali, in veste di consumatori ("Consumatore"). I rivenditori, le società di noleggio e gli utenti finali professionali sono espressamente esclusi dai presenti termini e condizioni generali della Garanzia. Per gli utenti finali professionali, un diverso tipo di garanzia volontaria può essere applicabile a determinati prodotti, se esplicitamente indicato sul sito web www.ryobitools.eu. Il ricorso alla presente Garanzia volontaria non limita i diritti di legge del Consumatore in caso di difetti.

1. La garanzia standard ("Garanzia standard"), a condizione che il Prodotto sia acquistato esclusivamente per utilizzo privato, ha una durata di 24 mesi ("Periodo di Garanzia standard") e decorre dalla data di acquisto del Prodotto. Tale data deve essere documentata da una fattura o altra prova di acquisto affinché la Garanzia standard sia valida e applicabile. La presente Garanzia standard si applica anche ai nuovi Prodotti.

2. I Consumatori di alcuni paesi possono prolungare la Garanzia standard per i Prodotti idonei oltre il periodo previsto per tale garanzia, registrandosi sul sito web www.ryobitools.eu. L'idoneità dei Prodotti per la garanzia estesa ("Garanzia estesa") è specificata sulla confezione di ciascun Prodotto, sul sito web www.ryobitools.eu e/o è contenuta nella relativa documentazione del Prodotto all'indirizzo <https://www.ryobitools.eu>. Per usufruire della Garanzia estesa, i Consumatori sono tenuti a registrare i propri Prodotti online entro 30 giorni di calendario dalla data di acquisto, al fine di beneficiare di tale garanzia. Tutte le informazioni personali dei Consumatori saranno trattate in conformità all'informatica sulla privacy, disponibile all'indirizzo <https://uk.ryobitools.eu/footer-links/privacy-policy/>. La conferma di registrazione, inviata tramite e-mail, e la fattura originale indicante la data di acquisto costituiranno la prova della Garanzia estesa.

3. La Garanzia standard e la Garanzia estesa ("Garanzie") sono limitate alla riparazione e/o sostituzione del Prodotto difettoso, a discrezione di TTI, a condizione che il difetto di fabbricazione o del materiale esistesse alla data di acquisto. Non è possibile richiedere la rifusione di ulteriori costi o perdite. Inoltre, la Garanzia non sono valide per:

- eventuali danni causati accidentalmente, deliberatamente o negligenzemente dal Consumatore
- eventuali danni al Prodotto risultanti da un trattamento improprio o da mancanza di manutenzione
- Prodotti che siano stati alterati o modificati
- Prodotti in cui le marcature di identificazione originali (marchio di fabbrica, numero di serie) siano state cancellate, alterate o rimosse
- eventuali danni causati dalla mancata osservanza del manuale di istruzioni
- Prodotti privi di marcatura CE/UKCA
- Prodotti che siano stati sottoposti a tentativi di riparazione presso un centro di assistenza non autorizzato o senza previa autorizzazione da parte di TTI
- Prodotti collegati a una fonte di alimentazione non corretta (per ampere, tensione, frequenza)
- Prodotti utilizzati con una miscela di carburante non adeguata (carburante, olio, percentuale di olio)
- eventuali danni causati da influenze esterne (acqua, sostanze chimiche, sostanze fisiche, urti) o da sostanze estranee
- normale usura delle parti di ricambio
- uso inappropriato, sovraccarico dell'Prodotto
- uso di accessori o parti non omologate
- accessori per utensili elettrici forniti con lo strumento o acquistati separatamente. Tali esclusioni includono, a mero titolo esemplificativo, punte per cacciaviti, punte per trapani, dischi abrasivi, carta vetrata, lame e guide laterali
- componenti (parti e accessori) soggetti a normale usura, inclusi, a mero titolo esemplificativo, kit di assistenza e manutenzione, scudole al carbonio, cuscinetti, mandrini, attacchi per punte SDS, cavi di alimentazione, maniglie ausiliarie, spazzole per il trasporto, piastre di levigatura, sacchetti per la raccolta della polvere, tubi di scarico della polvere, rondelle in feltro, perni e molle della chiave a percussione, pannelli di battuta, cinghie di trasmissione, frizioni, lame di tagliapietra o tagliaerba, imbracature, cavi di accelerazione, denti di ingrangi, perni, ventole, tubi di soffiatori e aspiratori, sacchetti e cinghie per aspirapolvere, barre guida, catene per seghe, tubi flessibili, raccordi di connessione, ugelli di spruzzo, ruote, erogatori, bobine interne ed esterne, linee di taglio, candole, filtri dell'aria, filtri del gas, lame per mulching, ecc.

4. Per gli interventi di assistenza in garanzia, i Prodotti devono essere spediti o portati, senza indebito ritardo dopo il verificarsi o il riconoscimento del difetto di lavorazione o materiale, presso uno dei centri di assistenza autorizzati RYOBI indicati sul sito web <https://www.ryobitools.eu>. I Consumatori possono ottenere i servizi previsti dalle Garanzie presso uno dei centri di assistenza RYOBI

a. contattando il rivenditore presso il quale è stato effettuato l'acquisto; oppure

b. registrandosi tramite la piattaforma di servizio disponibile sulla pagina web Commerciale RYOBI <https://www.ryobitools.eu>, la disponibilità del servizio potrebbe variare da paese a paese.

Il Prodotto da inviare al centro di assistenza autorizzato RYOBI deve essere imballato in modo sicuro senza contenuti pericolosi (per i dettagli, consultare le istruzioni di sicurezza sul sito web <https://www.ryobitools.eu>), apponendo l'indirizzo del mittente, e accompagnato da una breve descrizione del difetto. In alcuni paesi, le spese di consegna o le spese postali dovranno essere pagate dal mittente secondo le prassi locali. Consultare il centro di assistenza RYOBI autorizzato di zona per verificare l'applicazione di tali spese.

5. Alla ricezione del Prodotto che il Consumatore ritiene difettoso, si procederà a un'ispezione. Una volta confermato il difetto, i servizi previsti dalle Garanzie saranno forniti riparando le parti difettose dei Prodotti o sostituendole con prodotti difettosi da TTI. Qualora TTI dovesse rifiutarsi di riparare il difetto o nel caso in cui, a discrezione di TTI, la riparazione non fosse riuscita, verrà fornito un prodotto sostitutivo equivalente. I Prodotti o le parti sostituite diventeranno di proprietà di TTI. Eventuali riparazioni/sostituzioni in virtù delle Garanzie di cui sopra sono gratuite. Le riparazioni/sostituzioni effettuate da TTI non costituiscono un prolungamento o un nuovo inizio del periodo di validità delle Garanzie. Le parti di ricambio sostituite sono soggette alle Garanzie originariamente fornite e il periodo di validità delle Garanzie terminerà con il periodo di Garanzia originariamente previsto per l'intero prodotto.

6. Le Garanzie RYOBI sono concesse da Techtronic Industries GmbH, Max-Eyth-Str.10, 71364 Winnenden, Germania, esclusivamente al Consumatore che ha acquistato originariamente il Prodotto e non possono essere trasferite o cedute.

7. Le Garanzie sono valide nello spazio economico europeo (SEE), in Svizzera e nel Regno Unito. Al di fuori di tali aree, contattare il rivenditore presso il quale è stato effettuato l'acquisto per verificare se è valida un'altra garanzia volontaria.

NL GARANTIEVOORWAARDEN VAN RYOBI

Naast alle wettelijke rechten die voortvloeien uit de aankoop van een product en onverminderd de wettelijke rechten die onafhankelijk en kosteloos van toepassing zijn, vallen alle nieuwe elektrische gereedschappen en/of tuingeredschappen van RYOBI die op onze website worden vermeld, met uitzondering van gereedschapsaccessoires, opslagsystemen voor gereedschap en reserveonderdelen, zoals nader beschreven onder ("Product"), onder een vrijwillige garantie van Techtronic Industries GmbH ("TTI"), volgens de hieronder vermelde voorwaarden ("Garantie").

De garantie is alleen van toepassing op kopjes(i) die de producten als eindgebruikers in hun hoedanigheid van consument ("consument") kopen. Detailhandelaren, verhuurbedrijven en professionele eindgebruikers zijn uitdrukkelijk uitgesloten van deze algemene voorwaarden van de garantie. Voor professionele eindgebruikers kan een ander soort vrijwillige garantie van toepassing zijn op bepaalde producten, indien uitdrukkelijk vermeld op de website www.ryobitools.eu. De intrekking van deze vrijwillige garantie beperkt de wettelijke rechten van de consument in geval van een defect niet.

1. De standaardgarantie ("standaardgarantie"), mis het product uitsluitend voor privégebruik wordt aangehaald, heeft een looptijd van 24 maanden ("standaardgarantieperiode") en gaat in op de datum waarop het product is aangehaald. Deze datum wordt algemeen gedeemdteerd met het factuur of ander aankoopbewijs om ervoor te zorgen dat de standaardgarantie geldig en afdwingbaar is. Deze standaardgarantie geldt ook alleen voor nieuwe producten.

2. Consumenten in bepaalde landen kunnen de standaardgarantie voor in aanmerking komende producten verlangen tot na de periode van de standaardgarantie, door zich te registreren op de website www.ryobitools.eu. Of producten in aanmerking komen voor de verlengde garantie ("verlengde garantie") wordt vermeld op de verpakking van een product, op de website www.ryobitools.eu en/of is opgenomen in de relevante productdocumentatie onder <https://www.ryobitools.eu>. Om gebruik te kunnen maken van de verlengde garantie moeten consumenten hun product(en) online registreren binnen 30 kalenderdagen na de aankoopdatum om van deze verlengde garantie gebruik te maken. Alle persoonlijke gegevens van een consument worden verwerkt in overeenstemming met de privacyverklaring, die u hier kunt vinden: <https://uk.ryobitools.eu/footer-links/privacy-policy/>. De ontvangstbevestiging van de registratie, die per e-mail wordt verzonden, en de originele factuur waarop de aankoopdatum is vermeld, dienen als bewijs van de verlengde garantie.

3. De standaardgarantie en de verlengde garantie ("garanzies") zijn beperkt tot reparatie en/of vervanging van het defecte product naar goeddunken van TTI, mis het defect in fabricage of materiaal bestond op de datum van aankoop. Er kunnen geen verdere kosten of verliezen worden gecald. Bovendien zijn de garanties niet van toepassing op:

- schade die per ongeluk, opzettelijk of door nalatigheid van de klant is veroorzaakt
- schade aan het product die het gevolg is van onjuiste behandeling of gebrek aan onderhoud
- elk product dat is gewijzigd of aangepast
- elk product waarvan de oorspronkelijke identificatiemarkeringen (handelsmerk, serienummer) zijn beschadigd, gewijzigd of verwijderd
- eventuele schade veroorzaakt door het niet naleven van de instructiehandleiding
- producten waarvan geen CE/UKCA-markering geldt
- elk product dat is geprobeerd te repareren door een niet-geautoriseerd servicecentrum of zonder voorafgaande toestemming van TTI
- elk product dat is aangesloten op een onjuiste voeding (stroomsterkte, spanning, frequentie)
- elk product dat wordt gebruikt met een onjuist brandstofmengsel (brandstof, olie, olie/verhouding)
- schade veroorzaakt door invloeden van buitenaf (water, chemisch, fysisch, schokken) of vreemde stoffen
- normale slijtage van reserveonderdelen
- onjuist gebruik, overbelasting van het product(en)
- gebruik van niet-goedgekeurde accessoires of onderdelen
- accessoires voor elektrisch gereedschap die bij het gereedschap worden geleverd of afzonderlijk worden aangehaald. Dergelijke uitsluitingen omvatten maar zijn niet beperkt tot schroefbits, boorbits, schuurschijven, schuurpapier en bladen, zijdeling
- Onderdelen (onderdelen en accessoires) die normaal slijten, met inbegrip van, maar niet beperkt tot: slijpen en onderhoudssets, knoelborstels, lagers, spanklok, SDS-boorbits/bevestiging of -opname, hulphandgreep, transmissiekrank, schuurpapier, stofzak, stofuittrekgrip, viltgripen, penen en veren van slagmoersleutel, stookpennen, aandrijfriemen, koppeling, bladen van heggenzwaarden of grasmaaiers, kabelboom, gashendel, tanden, viltgripen, trekpenen, blazers, blaas- en zuigpennen, opvangzak en banden, geleidestangen, zaagkettingen, slangen, aansluitklemmen, sproeikoppen, wielen, sproeiervaten, binnespellen, buitenspellen, snijlijnen, boogjes, luchtfilters, gasfilters, mulchessen, enz.

4. Voor garantieservice moet het product of moeten de producten zonder omvondige vertragung na het optreden of de herkenning van het fabricage- of materiaalf defect worden verzonden naar of overhandigd aan een geautoriseerd RYOBI-servicepartner die u vindt op de volgende website: <https://www.ryobitools.eu>. Consumenten kunnen aanspraak maken op de diensten onder de garanties van een RYOBI-servicepartner door

a. contact op te nemen met de verkoper waar de aankoop is gedaan; of

b. registratie via het serviceplatform dat beschikbaar is op de commerciële website van RYOBI: <https://www.ryobitools.eu>. De beschikbaarheid van het proces kan per land verschillen.

Wanneer een product naar een geautoriseerd servicepartner van RYOBI wordt gestuurd, moet het product veilig worden verpakt zonder gevaarlijke inhoud (zie voor meer informatie de veiligheidsinstructies op de website <https://www.ryobitools.eu>), voorzien van het adres van de afzender en vergezeld van een korte beschrijving van het defect. Houd er rekening mee dat in sommige landen volgens de lokale procedures (verzend)kosten door de verzender moeten worden betaald. Neem contact op met uw plaatselijke, erkende RYOBI-servicecentrum om te controleren of dergelijke kosten van toepassing zijn.

5. Na ontvangst van het product dat door de klant als defect wordt beschouwd, zal het worden geïnspecteerd. Wanneer het defect is bevestigd, worden de diensten onder de garanties verleend door de defecte onderdelen van de producten te repareren of te vervangen door niet-defecte onderdelen naar keuze van TTI. Indien TTI weigert het defect te repareren of indien de reparatie naar goeddunken van TTI is mislukt, wordt een gelijkwaardige vervangproduct geleverd. De vervangen producten of onderdelen worden eigendom van TTI. Alle reparaties/vervangingen onder de bovenstaande garanties is gratis. De door TTI uitgevoerde reparaties/vervangingen vormen geen verlenging of nieuwe start van de garanties. De vervangen reserveonderdelen zijn onderworpen aan de oorspronkelijk gegeven garanties en de garantieperiode loopt af met de garantieperiode die oorspronkelijk voor het gehele product was vastgesteld.

6. De garanties van RYOBI worden door Techtronic Industries GmbH, Max-Eyth-Str.10, 71364 Winnenden, Duitsland, uitsluitend verleend aan de consument die het product oorspronkelijk heeft gekocht en mogen niet worden overgedragen of toegewezen.

7. De garanties gelden in de Europese Economische Ruimte (EER), Zwitserland en het Verenigd Koninkrijk. Buiten deze gebieden kunt u contact opnemen met de verkoper waar de aankoop is gedaan om te weten te komen of er een andere vrijwillige garantie van toepassing is.

PT CONDIÇÕES DE APLICAÇÃO DA GARANTIA RYOBI

Para além de quaisquer direitos legais decorrentes da aquisição de um produto e sem prejuízo dos direitos estatutários aplicáveis de forma independente e total. Todas as novas ferramentas elétricas e/ou ferramentas de jardim com a marca RYOBI indicadas no nosso website, excluindo acessórios de ferramentas, sistemas de armazenamento de ferramentas, e peças sobresselentes, conforme descrito em ("Produto"), estão cobertas por uma garantia voluntária emitida pela Technrich Industries GmbH ("TTI"), sujeita aos termos e condições indicados abaixo ("Garantia").

A Garantia aplica-se à aquisição ao(s) comprador(es) que adquira(m) os produtos como utilizador(es) final(is) na sua qualidade de consumidor(es) ("Consumidor"). Os revendedores, as empresas de aluguer e os utilizadores finais profissionais estão expressamente excluídos dos presentes termos e condições gerais da Garantia. Para os utilizadores finais profissionais, pode ser aplicável um tipo diferente de garantia voluntária para determinado(s) produto(s), se explicitamente previsto no website www.ryobi.com. A invocação da presente Garantia voluntária não limita os direitos legais estatutários do Consumidor em caso de defeito.

1. A garantia padrão ("Garantia padrão"), desde que o Produto seja adquirido apenas para uso privado, tem um prazo de 24 meses ("Período de garantia padrão") e tem início na data em que o produto foi adquirido. Esta data tem de ser documentada por uma fatura ou outra prova de compra para que a Garantia padrão seja válida e aplicável. A presente Garantia padrão também se aplica a Produto(s) novo(s).

2. Os Consumidores de determinados países poderão ter a possibilidade de prolongar a Garantia padrão para produtos elegíveis para além do período da Garantia padrão, através do registo no website www.ryobi.com. A elegibilidade dos produtos para a extensão da garantia ("Extensão da garantia") está especificada na embalagem de um Produto, no website www.ryobi.com, e/ou está incluída na documentação relevante do Produto em <https://www.ryobi.com>. Para beneficiar da Extensão da garantia, os Consumidores têm de registar o(s) seu(s) Produto(s) online no prazo de 30 dias consecutivos a contar da data de compra para beneficiarem desta Extensão da garantia. Todas as informações pessoais de um Consumidor serão processadas de acordo com a declaração de privacidade, que pode ser encontrada aqui <https://uk.ryobi.com/privacy-policy/>. O recibo de confirmação do registo, que é enviado por e-mail, e a fatura original com a data de compra servem de prova da Extensão da garantia.

3. A Garantia padrão e a Extensão da garantia ("Garantias") estão limitadas à reparação e/ou substituição do Produto com defeito ao critério da TTI, desde que o defeito de fabrico ou de material existisse à data da compra. Não podem ser reclamados custos ou perdas adicionais. Além disso, as Garantias não se aplicam a:

- quaisquer danos causados acidentalmente, deliberadamente ou negligentemente pelo Consumidor
- quaisquer danos no Produto resultantes de tratamento inadequado ou falta de manutenção
- qualquer Produto que tenha sido alterado ou modificado
- qualquer Produto em que as marcas originais de identificação (marca comercial, número de série) tenham sido desmarcadas, alteradas ou removidas
- quaisquer danos causados pela não observância do manual de instruções
- Produtos que não estão sujeitos a uma marcação CE/UKCA
- qualquer Produto que tenha sido tentado reparar por um centro de assistência não autorizado ou sem autorização prévia da TTI
- qualquer Produto ligado a uma fonte de alimentação inadequada (ampères, tensão, frequência)
- qualquer Produto utilizado com mistura de combustível inadequada (combustível, óleo, relação de óleo)
- quaisquer danos causados por influências externas (água, produtos químicos, fumaça, choques) ou substâncias estranhas
- desgaste normal das peças sobresselentes
- utilização inadequada, sobrecarga do(s) Produto(s)
- utilização de acessórios ou peças não aprovados
- acessórios para ferramentas elétricas fornecidos com a ferramenta ou adquiridos em separado. Estas exclusões incluem, entre outras, brocas, coroa, discos abrasivos, lixa e lâminas, guia lateral
- componentes (peças e acessórios) sujeitos a desgaste normal, incluindo, entre outros, kits de assistência e manutenção, escovas de carbono, roloamentos, mandris, fixação ou recepção de bocas SDS, cabos de alimentação, punhos auxiliares, malas de transporte, placas de lixa, sacos para poeiras, tubos de escape de poeiras, anilhas de ferro, pinos e moles da chave de impacto, botões de impacto, correntes de transmissão, embraíagens, lâminas de corta-seco ou corta-relvas, correa, cabo de acelerador, dentes, pins de engate, ventiladores do soprador, tubos de vácuo e soprador, sacos e correias de vácuo, lâminas de guia, correntes de serra, mangueiras, contêntores, bocas de pulverização, rodas, hastas de pulverização, bobinas interiores, bobinas exteriores, linhas de corte, velas de ignição, filtros de ar, filtros de gás, lâminas de fitração, etc.

4. Para efeitos de assistência de cliente, o(s) Produto(s) devem(m) ser enviado(s) ou apresentado(s) sem demora injustificada após a ocorrência ou reconhecimento do defeito de fabrico ou de material a um parceiro de assistência autorizado RYOBI listado no seguinte website <https://www.ryobi.com>. Os Consumidores podem obter os serviços cobertos pelas Garantias de um parceiro de serviços da RYOBI

a. contactando o revendedor onde o produto foi adquirido; ou

b. registando-se através da plataforma de serviços disponível na página web comercial da RYOBI <https://www.ryobi.com>; a disponibilidade do processo pode variar de país para país.

Se enviar um Produto para um parceiro de assistência autorizado da RYOBI, o Produto de deva ser embalado em segurança sem conteúdos perigosos (para obter mais informações, consulte as instruções de segurança no website em <https://www.ryobi.com>), marcado com a morada do remetente e acompanhado por uma breve descrição do defeito. Tenha em atenção que, em alguns países, as despesas de entrega ou franquia terão de ser pagas pelo remetente de acordo com a prática local. Consulte o centro de assistência técnica local autorizado RYOBI para confirmar se são aplicáveis essas taxas.

5. Após a recepção do Produto reparado como defeituoso pelo Consumidor, este será inspecionado. Quando o defeito for confirmado, os serviços cobertos das Garantias serão prestados através da reparação das peças defeituosas dos produtos ou de uma substituição por peças não defeituosas, segundo o critério da TTI. Se a TTI se recusar a reparar o defeito ou se, ao critério da TTI, a reparação falhar, será fornecida uma substituição equivalente ao cliente. O(s) Produto(s) ou peça(s) substituído(s) tornar-se-á(ão) propriedade da TTI. Qualquer reparação/substituição coberta pelas Garantias acima indicadas é gratuita. A(s) reparação(ões)/substituição(ões) realizada(s) pela TTI não constitui(em) uma extensão ou um novo início das Garantias. As peças sobresselentes substituídas estão sujeitas às Garantias originalmente concedidas e o período para as Garantias terminará com o período para a Garantia inicialmente concedido para todo o produto.

6. As Garantias da RYOBI são concedidas pela Technrich Industries GmbH, Max-Eyth-Str. 10, 71364 Winnenden, Alemanha, apenas ao Consumidor que adquiriu originalmente o Produto e não podem ser transferidas nem atribuídas.

7. As Garantias são válidas no Espaço Económico Europeu (EEE), na Suíça e no Reino Unido. Fora destas áreas, contacte o revendedor onde o produto foi adquirido para saber se se aplica outra garantia voluntária.

DA BETINGELSER FOR ANVENDELSE AF RYOBI-GARANTI

Ud over de lovbestemte rettigheder, der følger køb af et produkt, og uden at det berører de lovbestemte rettigheder, der gælder uafhængigt og uden omkostninger, er alle nye RYOBI-mærkede elværktøjer og/eller haveredskøber, der er anført på vores hjemmeside, med undtagelse af værktøjsoverbæringsystemer, og reservedele, som nærmere beskrevet under ("Produkt") dækket af en frivillig garanti udstedt af Technrich Industries GmbH ("TTI") i henhold til de vilkår og betingelser, der er angivet nedenfor ("Garanti").

Garantien gælder kun for en køber/købere, der køber produkterne som slutbrugere i deres egenkab og forbrugere ("Forbrugere"). Forhandlere, udlæringsfirmaer og professionelle slutbrugere er udtrykkeligt udelukket fra disse generelle vilkår og betingelser i garantien. For professionelle slutbrugere kan en anden form for frivillig garanti gælde for visse produkter, hvis det udttrykkeligt fremgår af hjemmesiden www.ryobi.com. Påberåbelse af denne frivillige garanti begrænser ikke forbrugers lovbestemte rettigheder i tilfælde af en defekt.

1. Standardgarantien ("Standardgaranti"), forudsat at produktet kun er købt til privat brug, har en løbetid på 24 måneder ("Standardgarantiperiode") og begynder på den dato, hvor produktet blev købt. Denne dato skal dokumenteres ved en faktura eller andet købsbevis, for at standardgarantien er gyldig og kan håndhæves. Denne standardgaranti gælder også kun for et nyt/nyrne produkt(er).

2. Forbrugere i visse lande kan muligvis forlange standardgarantier for berettigede produkter ud over standardgarantiperioden ved at registrere sig på hjemmesiden www.ryobi.com. Produkternes betingelse til den udvidede garanti ("Udvidet garanti") er angivet på emballagen til et produkt, på hjemmesiden www.ryobi.com, og/eller er indeholdt i den relevante produktokumentation under <https://www.ryobi.com>. For at drage fordel af den udvidede garanti skal forbrugere registrere deres produkt(er) online inden for 30 kalenderdage fra købstidspunktet for at drage fordel af denne udvidede garanti. Alle personlige oplysninger om forbrugere behandles i overensstemmelse med erklæringen om beskyttelse af personlige oplysninger, som findes her <https://uk.ryobi.com/outer-links/privacy-policy/>. Kvaliteten for registreringsbekræftelsen, som sendes ud via e-mail, og den originale faktura, der angiver købsdatoen, vil tjene som bevis for den udvidede garanti.

3. Standardgarantien og den udvidede garanti ("Garantier") er begrænset til reparation og/eller udsifting af det defekte produkt efter TTIs skøn, forudsat at defekten i udførelse eller materiale eksisterede på købsdatoen. Der kan ikke gøres krav på yderligere omkostninger eller tab. Desuden gælder garantierne ikke for:

- Enhver skade forårsaget ved et uheld, forsøgt eller uagtsomt af forbrugeren
- Eventuelle skader på produktet, der skyldes forkert behandling eller manglende vedligeholdelse
- Ethvert produkt, der er blevet ændret eller modificeret
- Ethvert produkt, hvor den oprindelige identifikationsmærkning (varemærke, serienummer) er blevet deformet, ændret eller fjernet
- Eventuelle skader, der skyldes manglende overholdelse af brugsanvisningen
- Produkter, som ikke er CE/UKCA-mærket
- Ethvert produkt, der er forsøgt repareret af et ikke-autoriseret servicecenter eller uden forudgående tilladelse fra TTI
- Ethvert produkt, der har været tilsluttet forkert strømforsyning (strømstyrke, spænding, frekvens)
- Ethvert produkt, der har været anvendt med en forkert brændstofblanding (brændstof, olie, olieblanding)
- Skader forårsaget af dyre påvirkninger (vand, kemiske stoffer, fysiske stød) eller fremmedlegemer
- Normal slitage af reservedele
- Uhensigtsmæssig anvendelse, overbelastning af produktet/produkterne
- Anvendelse af ikke-godkendt tilbehør eller dele
- Tilbehør til elværktøjet, der leveres sammen med værktøjet eller købes separat. Sådanne undtagelser omfatter, men ikke er begrænset til, skruetækkere, bor, silbesciver, sandpapir og blade, sidestykker
- Komponenter (dele og tilbehør), der er udsat for almindelig slitage, herunder, men ikke begrænset til service- og vedligeholdelsesmæssigt: kulbørster, lejer, borepærer, SDS-bortilbehør eller -fagstregesæmning, nelledning, ekstra håndtag, transportkasse, silbeplade, stavslange, filtskiver, slagneglestifter og -fjeder, knopper, drivremme, kobling, knive til hækklippere eller plæneløbere, sele, gashåndtag, tænder, tilkoblingsfitter, ventilatorer, blæser og vakuumpose, vakuumpose og stropper, styrestænger, savkæder, sårer, slutligningsfittings sprøjteværk, hjul, sprogstænger, indvendige ruller, udvendige spoler, skærelængere, trænder, luftfiltre, gasfiltre, blikpløjningsblade, osv.

4. For garantisejers skal produktet/produkterne uden undtagelse forsendes eller forekommet eller erkendelse af defekten i udførelse eller materiale sendes til eller fremsendes for en af de autoriserede RYOBI-servicepartnere, der er anført på følgende websted <https://www.ryobi.com>. Kunden kan få leveret ydelserne under garantierne hos en RYOBI-servicepartner ved at

- a. kontakte den forhandler, hvor købet blev foretaget, eller
- b. registrere sig via den serviceplatform, der er tilgængelig på RYOBI's kommercielle hjemmeside <https://www.ryobi.com>. Tilgængeligheden af processen varierer fra land til land.

Når et produkt sendes til en autoriseret RYOBI-servicepartner, skal produktet indpakkes sikkert uden farligt indhold for nærmere oplysninger henvises til sikkerhedsinstruktionerne på hjemmesiden - <https://www.ryobi.com>), mærkes med afsenderens adresse og ledsages af en kort beskrivelse af defekten. Bemærk venligst, at i nogle lande skal leveringsomkostninger eller porto betales af afsenderen i henhold til lokal praksis. Kontakt dit lokale autoriserede RYOBI-servicecenter for at få oplyst, om sådanne gebyrer er gældende.

5. Ved modtagelse af produktet, der har været af vare defekt af forbrugeren, vil det blive inspiceret. Når fejlen er blevet bekræftet, vil garantisejers blive leveret gennem reparation af produktets defekte dele eller gennem udsifting af dem med ikke-defekte dele efter TTIs skøn. TTIs TTI afviser at reparere defekte, eller hvis reparationen efter TTIs skøn er mislykket, leveres en tilsvarende erstatning. Det/De udsiftede produkt(er) eller dele forbliver TTIs ejendom. Alle reparationer/udsiftinger i henhold til ovenstående garantier er gratis. Den eller de reparation(er)/udsifting(er), som TTI foretager, udgår ikke en forlængelse eller en ny start på garantierne. De udsiftede reservedele er underlagt de oprindelige afgiftige garantier, og garantiperioden sluttes med den periode for garantien, der oprindeligt blev givet for hele produktet.

6. RYOBI-garantieme ydes af Technrich Industries GmbH, Max-Eyth-Str. 10, 71364 Winnenden, Tyskland, kun til den forbruger, der oprindeligt købte produktet, og kan ikke overdrages eller tildes.

7. Garantierne gælder i det europæiske økonomiske område (EØS), Schweiz og Storbritannien. Uden for disse områder skal du kontakte den forhandler, hvor købet blev foretaget, for at finde ud af, om der gælder en anden frivillig garanti.

SV VILLKOR FÖR ANVÄNDNING AV RYOBI-GARANTIN

Utöver alla lagstadgade rättigheter som följer av köpet av en produkt och utan att det påverkar de lagstadgade rättigheter som gäller oberoende och kostnadsfritt, omfattas alla våra elverktyg och trädgårdsverktyg av märket RYOBI som anges på webbplats, exklusivt verktygstilbehör, förvaringssystem för verktyg och reservdelar, som beskrivs ytterligare under "produkt", av en frivillig garanti som utfärdas av Technronic Industries GmbH (TTI) enligt de villkor som anges nedan ("garanti").

Garantin gäller endast för köpare som köper produkterna som slutanvändare i egenskap av konsument ("konsument"). Återförsäljare, utnyttningss företag och yrkesmässiga slutanvändare är uteslutade undantagna från dessa allmänna villkor och bestämmelser i garantin. För yrkesmässiga slutanvändare kan en annan typ av frivillig garanti gälla för vissa produkter, om detta uttryckligen anges på webbplatsen www.ryobitools.eu. Åberopandet av den här frivilliga garantin begränsar inte konsumentens lagstadgade rättigheter i händelse av en defekt.

1. Standardgarantin ("standardgaranti"), förutsatt att standardend köps för privat bruk, gäller i 24 månader ("perioden för standardgaranti") och börjar gälla det datum då produkten köpts. Detta datum måste dokumenteras med en faktura eller annat inkoopshövis för att standardgarantin ska vara giltig och verkställbar. Den här standardgarantin gäller endast för nya produkter.

2. Konsumenter i vissa länder kan utöka standardgarantin för berättigade produkter utöver perioden för standardgarantin genom att registrera sig på webbplatsen www.ryobitools.eu. Huruvida produkter omfattas av den utökade garantin ("utökad garanti") anges på produktens förpackning, på webbplatsen www.ryobitools.eu/eller i den relevanta produktokumentationen på <https://www.ryobitools.eu/>. Konsumenter måste registrera sina produkter online inom 30 kalenderdagar från inkoopstidpunkten för att kunna dra nytta av den här utökade garantin. All personlig information om en konsument behandlas i enlighet med sekretesspolicy som finns här <https://uk.ryobitools.eu/footer/links/privacy-policy/>. Kvitnet på registreringsbekräftelsen, som skickas ut via e-post, och originalfakturan som visar inkoopstidpunkt, tungerar som bevis på den utökade garanti.

3. Standardgarantin och den utökade garantin ("garantierna") är begränsade till reparation eller utbyte av den defekta produkten enligt TTIs gottfamnande. Förutsatt att defekten i utörfare eller material finns vid inkoopstidpunkten. Inga ytterligare kostnader eller förluster kan åberogas. Dessutom gäller inte garantierna för

- skador som orsakats av misstag, avsiktligt eller ovettslöshet av konsument
- skador på produkten som beror på felaktig behandling eller bristande underhåll
- en produkt som har ändrats eller modifierats
- en produkt där ursprungliga märkning (varumärke eller serienummer) har försvannats, ändrats eller tagits bort
- skador som orsakats av att handboken inte har följts
- produkter som inte omfattas av en CE/UKCA-märkning
- en produkt som har försöksrepareras av ett icke-aktiserat servicecenter eller utan föregående godkännande av TTI
- en produkt som anslutits till felaktig strömföröring (ampere, spänning eller frekvens)
- en produkt som använts med felaktigt bränsleblandning (bränsle, olja eller oljeförhållande)
- skador som orsakats av yttre påverkan (vatten, kemikalier, flytande stötar eller utsläpp) eller främmande ämnen
- normalt slitage på reservdelar
- felaktig användning eller överbelastning av produkten
- användning av icke-godkända tillbehör eller delar
- tillbehör till elverktyg som medförjer verktyg eller skops separat, sådana undantag inkluderar, men är inte begränsade till, skrubbits, borkorrnor, slipskivor, slippapper och -blad och sidostyrning
- komponenter (delar och tillbehör) som utsatts för normalt slitage, inklusive men inte begränsat till service- och underhållsstaten, kolvborstar, lager, chuck, montering eller fätning för SDS-borkorrnor, strömkabel, extra handtag, transportfäsk, slippatta, damppåse, dammsugningsrör, filterbrick, stift och fjädrar till mutterdragare, anslagsknoppar, drivremmar, koppling, blad till hacksaxar eller gräsklippare, sele, gasvävar, pinnar, filterbrick, kopplingspringar, blåsläktar, blås- och sugrör, uppsamlings säck och remmar, svärd, sågkedjor, slangar, anslutningsrör, sprutmunstycken, hjul, sprutdör, inre rullar, yttre spolar, skärinor, tändstift, luftfilter, gasfilter, stningsknivrar osv.

4. För garantinservice måste produkten skickas till ett uppvisas för, utan dröjsmål efter att defekten i utörfare eller material har upptäckts, en aktiserad RYOBI-servicepartner som anges på följande webbplats <https://www.ryobitools.eu/>. Konsumenter kan erhålla tjänsterna enligt garantierna från en RYOBI-servicepartner genom att

- a. kontakta återförsäljaren där köpet gjordes eller
 - b. registrera sig via serviceplattformen som är tillgänglig på RYOBI Commercial-webbplatsen <https://www.ryobitools.eu/>, tillgången till förändrad kan variera från land till land.
- När du skickar en produkt till en aktiserad RYOBI-servicepartner ska produkten vara säkert förpackad utan farligt innehåll (mer information finns i säkerhetsanvisningarna på <https://www.ryobitools.eu/>), märkt med avsändarens adress och medföljas av en kort beskrivning av defekten. Observera att i vissa länder måste fraktkostnader eller porto betalas av avsändaren i enlighet med lokal praxis. Kontakta ditt lokala aktiserade RYOBI-servicecenter för att bekräfta om sådana avgifter gäller.

5. Efter mottagandet av den produkt som konsumenten hävdar är defekt kommer den att inspekteras. När defekten har bekräftats tillhandatålls tjänsterna enligt garantierna genom reparation av defekta delar i produkterna eller genom utbyte av dem mot icke-defekta delar eller TTIs gottfamnande. Om TTI vägrar att reparera defekten eller om reparationen, enligt TTIs gottfamnande, misslyckas tillhandatålls en motsvarande ersättningsprodukt. De utbyta produkterna eller delarna blir TTIs egendom. Alla reparationer eller utbyten som omfattas av ovanstående garantier är kostnadsfria. Reparationer eller utbyten som utförs av TTI utgör inte en förfrågning eller en ny start av garantierna. De utbyta reservdelarna omfattas av de garantier som ursprungligen gavs och perioden för garantierna avslutas med perioden som ursprungligen gavs för hela produkten.

6. RYOBI-garantierna beviljas av Technronic Industries GmbH, Max-Eyth-Str.10, 71364 Winnenden, Tyskland, endast till den konsument som ursprungligen köpte produkten och får inte överföras eller överlätas.

7. Garantierna gäller inom Europeiska ekonomiska samarbetsområdet (EES), Schweiz och Storbritannien. Utanför dessa områden kontaktar du återförsäljaren där köpet gjordes för att ta reda på om någon annan frivillig garanti gäller.

FI RYOBI-TAKUUN EHDOT

Kalkkien tuotteen ostamisesta kuluien erillisten ja maksuttomien lakisääteiden oikeuksien lisäksi ja niiden rajoittamatta kaikki verkkoosastoille luotellut uudet RYOBI-merkkiset sähkötykalat ja/tai puutarhayökalut, jäljempänä ("Tuote"), joihin otammatta työkalujen lisävarusteita, työkalujen säilytysjärjestelmää ja varosia, ovat Technronic Industries GmbH:n (TTI) antaman vapaaehtoisien takuun piirissä alla ilmoitetuitten ehtojen mukaisesti ("Takuu").

Takuu koskee ainoastaan niitä ostajia, jotka ostavat tuotteita kuluttajien asemassa olevina loppukäyttäjinä ("Kuluttaja"). Jällemyyntiä, vuokrausyrityksiä ja ammattimaisia loppukäyttäjät on nimenomaisesti jätetty takuun soveltamislainsäädännön ulkopuolelle. Ammattimaisia loppukäyttäjät saattaa koskea toisentyypin vapaaehtoisien takuun tulleille tuotteille, jos sitä on nimenomaisesti ilmoitettu osoitteessa www.ryobitools.eu. Tämän vapaaehtoisuuden takuun vetoaminen ei rajoita kuluttajan lakisääteitä oikeuksia vitkatapauksissa.

1. Perustakuu ("Perustakuu"), edellyttä, että tuote ostetaan ainoastaan yksityiskäyttöön, ja kattaa 24 kuukauden jaksen ("Perustakuun voimaoloaika") alkaen tuotteen ostopäivästä. Perustakuun voimaoloa ja täytäntöönpanokelpoisuutta edellyttää, että kysyen päivämäärä jäi maili laskusta tai muista ostodokumentteista. Lisäksi tämä perustakuu koskee ainoastaan uusia tuotteita.

2. Tietyissä maissa olevilla kuluttajilla voi olla mahdollisuus laajentaa perustakuuseen oikeutettujen tuotteiden takuuaikaa rekisteröimällä osoitteessa www.ryobitools.eu. Tuotteiden oikeus laajennettuun takuuseen ("Laajennettu takuu") on määrätty tuotteen pakkausksessa, verkossa osoitteessa <https://www.ryobitools.eu/la/> tai olennessä tuotteen asiakirjoissa osoitteessa <https://www.ryobitools.eu/>. Kuluttajan on rekisteröitävä tuotensa verkossa 30 kalenteripäivän kuluessa ostopäivästä, jotta he voivat hyödyntää laajennettua takuuta. Kaikkia kuluttajien henkilötietoja käsitellään seuraavassa osittaisessa tietosuojalausekkeen mukaisesti: <https://uk.ryobitools.eu/footer/links/privacy-policy/>. Sähköpostitse lähetettävä vahvistus rekisteröintiä ja alkuperäinen lasku, jossa ostopäivä on näkyvässä, toimivat todisteina laajennetusta takuusta.

3. Perustakuu ja laajennettu takuu ("Takuu") rajoittuvat valitseen tuotteen korjaamiseen ja/tai vaihtamiseen TTI:n päätoimikolpa ja edellyttävät, että valmistus- tai materiaalivika on ollut tuotessa ostohetkellä. Muita tulkintausia tai menetyksiä koskevia vaatimuksia ei voi esittää. Myöskään seuraavat eivät kuulu takuiden piiriin:

- Kuluttajan vahingossa tai tahallisesti aiheuttamat tai kuluttajan huoltamattomuudesta aiheutuvat vahingot
- Kaikki tuotteen viiheellisesti käsitellystä tai huolon puutteesta aiheutuvat vahingot
- Kaikki tuotteet, jolla on muunneltu tai muutettu
- Kaikki tuotteet, joiden aikojenäkymä tunnustusemerkinä (tavaramerkki, sarjanumero) on peitetty tai poistettu tai niitä on muunneltu
- Kaikki käyttöoppaan noudattamatta jättämisestä aiheutuneet vauriot
- Tuotteet, joissa ei ole CE-/UKCA-merkintää
- Kaikki tuotteet, jolla on yrittely korjattua valtuuttamattomalla taholla tai ilman TTI:n etukäteisen antamaa lupaa
- Kaikki tuotteet, jotka on kytketty vääränlaisen virtalähteen (virta, jännite, taajuus)
- Kaikki tuotteet, joiden on käyty vääränlaisia polttoaineessestä (polttoaine, öljy, öljyn seossuhde)
- Kaikki ukoisten tekijöiden (ei. kemikaalit, fyysiset tekijät, iskut) tai vierasien aiheuttamat vauriot
- Varaosien normaali kuluminen
- Virheellinen käyttö, tuotteiden ylikuormitus
- Muiden kuin hyväksytytjen lisävarusteiden tai osien käyttö
- Sähkötykalun mukana toimitellut tai erikseen ostetut lisävarusteet. Tällaisia poikkeuksia ovat muun muassa ruuvauskärjet, poranterät, hamaalakat, hiomapparet ja terät sekä sivohiujat
- Komponentit (osat ja lisävarusteet), jotka kuluvat normaalisissa käytössä, mukaan lukien mutta niiniin rajoittumatta huolto- ja kunnossapitosarjat, hiilijarrat, laekat, istukka, SDS-poranterän kinnitysoosa tai vastake, virtohjot, lisävakua, kuljetuslaukku, hamaalevy, pölypussi, pölypoistoyksitt, huopaväsiteet, iskevien ruuviväntimien tapit ja jouset, syöttöruiput, vetohiinat, kytkin, persnalaukureiden tai ruuholeikkureiden terät, valjat, kaasuväijät, sokkapatit, puhallimet, puhallus- ja imuputket, keräyspusat ja nihnat, taralayt, teräketjut, leikut, liittimet, suihkutuslaitteet, pyörät, suihkutusvarret, säisäket, ukoalkeet, leikkusuitat, srytytysputket, imansuodattimet, polttoainensuodattimet, silppupamierät, jne.

4. Takuuhuoltoa varten tuotteet on valmistus- tai materiaalivirheen ilmenemisen tai huomaamisen jälkeen viipymättä lähetettävä tai tuotava pakann päälle johonkin seuraavalla verkkoosastolla luotellujen valtuutettujen RYOBI-huoltokomppanien toimipisteeseen: <https://www.ryobitools.eu/>. Kuluttajat voivat saada takuiden alaisia palveluita RYOBI-huoltokomppanilla seuraavilla tavoilla:

- a. Ottamalla yhteyttä jällemyyntiin, jolla tuote on ostettu
- b. Rekisteröimällä RYOBI:n kaupallisella verkkoosastolla <https://www.ryobitools.eu/> olevaan huoltopalveluun. Menettelyn saatavuus saattaa vaihdella maittäin.

Kun tuotetta lähetetään valtuutetulle RYOBI-huoltokomppanille, se on pakattava turvallisesti ilman vaarallista sisältä (katso lisätietoja verkkoosastollista <https://www.ryobitools.eu/> olevista turvallisuusohjeista) ja siihen on merkittävä lähetettäjän osoite ja yhty kuvaus viasta. Ota huomioon, että jossain maissa lähetäjän on paikallisen käytännön mukaisesti maksettava kuljetusmaksu tai postimaksu. Jos paikallisesta valtuutetusta RYOBI-huoltoliikkeestä, peritännkö tällaisia maksuja.

5. Kuluttajan välilleksi ilmoittama tuote tarkastetaan sen saavuttua toimipisteeseen. Kun vika on varmistettu, takuiden alaiset palvelut toteutetaan TTI:n tarkinnan mukaan joko korjaamalla tuotteiden vialliset osat tai vaihtamalla ne ehiin. Jos TTI ei pysty viivan korjaamiseen tai jos TTI katoaa, ottaa korjauksen epäonnistunut, kuluttajalle toimitetaan vastava korvaava tuote. Korvattavat tuotteet tai osat siirryt TTI:n omistukseen. Kaikki edellä mainitut takuiden alaiset korjaukset/vaihdot ovat maksuttomia. TTI:n toimeenpanemat korjaukset/vaihdot eivät pidä pännä takuiden voimaoloaikaalla tai alista sitä austa. Valhdetut varaosat ovat alkuperäisten takuiden alaisia, ja niiden takuiden voimaoloaika päättyy silloin, kun koko tuotteelle myönnetyt alkuperäisen takuun voimaoloaika päättyy.

6. RYOBI-takuut myöntää Technronic Industries GmbH, Max-Eyth-Str.10, 71364 Winnenden, Saksaa, ainoastaan tuotteen alun perin ostaneelle kuluttajalle. Takuita ei voi siirtää tai määrätä toiselle taholle.

7. Takuit ovat voimassa Euroopan talousalueella (ETA). Sveitsissä ja Yhdystneessä kuningaskunnassa. Näiden alueiden ulkopuolella voi ottaa yhteyttä jällemyyntiin, jolla tuote on ostettu, ja selvittää, onko osallista voimassa jokin toinen vapaaehtoisien takuun.

NO GARANTIBETINGELSER FOR RYOBI

I tillegg til eventuelle løbestede rettigheter som følge av kjøpet av dette produktet og uten tap av de løbestede rettighetene som gjelder uavhengig og uten kostnad, dekes alle nye RYOBI-elektroverktøy og/eller løbegerøtverk som er oppgitt på nettsiden vår, med unntak av verktyftilbehør, oppbevaringsystemer for verktøy og reservedeler, som angitt under «Produkt», av en frivillig garanti utstedt av Technronic Industries GmbH («TTI») som er underlagt vilkårene og betingelsene angitt nedenfor («Garanti»).

Garanti gjelder kun for kjøpere som kjøper produktet som sluttbrukere, og som kan regnes som forbrukere («Forbruker»). Detaljhandlerne, utleiefirmaer og profesjonelle sluttbrukere er uttrykkelig unntatt fra disse generelle vilkårene og betingelsene for garanti. For profesjonelle sluttbrukere kan en annen type frivillig garanti omfatte visse produkter dersom det er tydelig angitt på nettsiden www.ryobitools.eu. Påberøpelsen av denne frivillige garantiens grenser ikke de løbestede rettighetene til forbrukeren hvis det er en feil med produktet.

1. Standardgaranti («Standardgaranti»), såfremt produktet kun er kjøpt for privat bruk, har en gyldighetsperiode på 24 måneder («Periode for standardgaranti») og starter den datoen produktet kjøpes. Denne garanti må dokumenteres med faktura eller annet kjøpsbevis for å standardgaranti kan sies være gyldig og bindingkraftig. Denne standardgaranti gjelder kun for nye produkter.

2. Det kan være mulig for forbrukere i visse land å forelese standardgaranti for kvalifiserte produkter utover perioden for standardgaranti ved å registrere dem på nettsiden www.ryobitools.eu. Dersom produktet er kvalifisert for den forente garanti («Forlengt garanti»), angis dette på emballasjen til produktet, på nettsiden www.ryobitools.eu og/eller i den relevante produktokumentasjonen under <https://www.ryobitools.eu>. For å kunne dra nytte av den forente garanti må forbrukere registrere produktet på nettsiden innen 30 kalenderdager fra kjøpsdatoen. Alle personopplysningene til forbrukere behandles i henhold til personvernbestemmelsene, som du finner her: <https://uk.ryobitools.eu/footer-links/privacy-policy/>. Kvittingen for bekreftet registrering, som sendes på e-post, og den opprinnelige fakturaen som viser kjøpsdatoen, fungerer som bevis for den forente garanti.

3. Standardgaranti gjelder og den forente garanti («Garanti») er begrenset til reparasjon og/eller erstatning av det defekte produktet etter TTIs skjønn, såfremt fabrikkasjonfeil eller materialfeil eksisterte på kjøpsdatoen. Ingen ytterligere kostnader eller tap dekes. I tillegg gjelder garantiene ikke for

- eventuelle skader forårsaket med eller uten hensikt, eller på grunn av uaktsomhet fra forbrukerens side
- eventuelle skader på produktet som følge av feilaktig håndtering eller mangel på vedlikehold
- ethvert produkt som har blitt endret eller modifisert
- ethvert produkt der opprinnelig identifikasjonsmerking (varemerke, serienummer) har blitt ødelagt, endret eller fjernet
- eventuelle skader som følge av at brukerhåndboken ikke er fulgt
- produkter som ikke er underlagt CE/UKCA-merking
- ethvert produkt som er forsøkt reparert av et uautorisert servicecenter eller uten autorisasjon fra TTI på forhånd
- ethvert produkt som har blitt koblet til feil strømforsyning (ampere, spenning, frekvens)
- ethvert produkt som er brukt med feil drivstoffblandning (drivstoff, olje, oljeforhold)
- eventuelle skade som følge av eksterne påvirkninger (vann, kjemisk eller fysisk påvirkning, støt) eller forårsaket av fremmedlegemer
- normal slitasje på reservedeler
- feilaktig bruk, overbelastning av produktet
- bruk av tilbehør eller deler som ikke er godkjent
- medfølgende tilbehør for elektroverktøyet eller tilbehør kjøpt separat (Disse unntakene inkluderer, men er ikke begrenset til, skrutrekkerbit, drillbit, slipsesker, slippesapp og -blader og sideskinner.)
- komponenter (deler og tilbehør) som settes for normal slitasje, inkludert, men ikke begrenset til, service- og vedlikeholdssett, kullborster, lagre, chuck, tilbehør for SDS-drillbit eller-motak, strømlørdning, ekstrahåndtak, baresekk, slipseske, støvpose, utløpsrør for støv, filterkasse, boller og fjærrer for muttertrekkere, bukknoter, drivmerer, clutch, blader for heksaksaker eller gressklippere, seiler, kabelspjeld, trimmer, løsebolter, vifter for blåserer, rør for blåserer og sugere, supergesser og -stropser, styreskinner, sagkjeder, slanger, koblingsfester, spraymunnstykk, hjul, sprøyteleger, indre spoler, ytre spoler, trimmedåser, tennplugger, luftfilter, gassfilter, mulchingkniver osv.

4. For garantiservice må produktet innlevert til etter at hendelsen oppstod eller fabrikkasjonfeilen eller materialfeilen ble oppdaget, sendes til eller freggleses for en autorisert RYOBI-servicepartner som er oppgitt på følgende nettside: <https://www.ryobitools.eu/>. Forbrukere kan få garantiservice fra en RYOBI-servicepartner ved å

- a. kontakte detaljhandleren som produktet ble kjøpt fra, eller
- b. registrere produktet via serviceplattformen som er tilgjengelig på RYOBI Commercial-nettsiden <https://www.ryobitools.eu/>. Tilgjengeligheten til prosessen kan variere fra land til land.

Når et produkt skal sendes til en autorisert RYOBI-servicepartner, må produktet pakkes forsvarlig uten færlig innhold (for mer informasjon kan du se sikkerhetsinstruksjonene på nettsiden <https://www.ryobitools.eu/>), og pakken må merkes med avsenders adresse samt inneholde en kort beskrivelse av feilen. Merk at leveringskostnader eller porto i noen land må belastes av avsender i henhold til lokale rettsregler. Ta kontakt med ditt lokale autoriserte RYOBI-servicepartner for å finne ut om slik avgift gjelder for deg.

5. Produktet som forbrukeren mener er defekt, kontrolleres ved mottak. Når feilen er bekreftet, leveres tjenesten av garantier gjennom reparasjon av de defekte delene av produktet eller ved å skifte dem ut med fungerende deler etter TTIs skjønn. Hvis TTI velger å ikke reparere feilen, eller hvis reparasjonen ikke var vellykket, etter TTIs skjønn, leveres en tilsvarende erstatning. De erstatte produktene eller delene bli TTIs eiendom. Enhver reparasjon/erstatning under de ovennevnte garantiene er gratis. Reparasjon/erstatningen utført av TTI innebærer ikke en forlengelse av garantiene eller en ny start på garantiperioden. De erstatte reservedelene er underlagt garantiene som opprinnelig ble gitt, og perioden for garantiene utløper i samsvar med garantiperioden som opprinnelig ble gitt for hele produktet.

6. Garantiene fra RYOBI gis av Technronic Industries GmbH, Max-Eyth-Str.10, 71364 Winnenden, Tyskland, og de gjelder kun for forbrukere som opprinnelig kjøper produktet. De kan ikke overføres eller tildeles.

7. Garantiene er gyldige i Det europeiske økonomiske samarbeidsområdet (EØS), Sveits og Storbritannia. Dersom du ikke befinner deg innenfor disse områdene, kan du kontakte detaljhandleren der kjøpet ble gjort, for å finne ut om en annen frivillig garanti gjelder.

RU УСЛОВИЯ ДЕЙСТВИЯ ГАРАНТИИ НА ПРОДУКЦИЮ RYOBI

В дополнение к любым законным правам, возникающим в результате покупки изделия, и без ущерба для законных прав, которые предоставляются отдельно и на безвозмездной основе, на все новые электроинструменты и/или садовые инструменты под торговой маркой RYOBI, перечисленные на нашем сайте, за исключением принадлежностей для инструментов, систем хранения инструментов и запасных частей, и именуемые далее как «Продукт», действует добровольно предоставляемая компанией Technronic Industries GmbH (далее – «TTI») гарантия (далее – «Гарантия») в соответствии с условиями и положениями, указанными ниже.

Гарантия распространяется только на покупателей, которые приобретают продукт и являются их конечными пользователями (далее – «Пользователь»). Дилерские центры по продаже товара, а также профессиональные конечные пользователи в любой форме исключаются из настоящего блока положений и условий Гарантии. Для профессиональных конечных пользователей на определенные продукты может распространяться добровольно предоставляемая гарантия другого типа, если это явно указано на сайте www.ryobitools.eu. Отграничения настоящей добровольно предоставляемой Гарантии не влияют на законы права Покупателя в случае наличия дефекта.

1. Период действия Стандартной Гарантии (далее – «Стандартная гарантия»), при условии что Продукт приобретается только для частного использования, составляет 24 месяца (далее – «Стандартный гарантийный период») и начинается с даты приобретения Продукта. Чтобы Стандартная гарантия была действительна и имела законную силу, эта дата должна быть документально подтверждена чеком или иным документом, подтверждающим факт покупки. Настоящая Стандартная гарантия распространяется только на новые Продукты.

2. В некоторых странах Покупатель может продлить Стандартную гарантию на определенные Продукты после истечения срока действия Стандартной гарантии путем регистрации на сайте www.ryobitools.eu. Право на получение Расширенной гарантии (далее – «Расширенная гарантия») указано на упаковке Продукта, на сайте <https://www.ryobitools.eu/> или в сопутствующей документации к Продукту, которая доступна на сайте <https://links.ryobitools.eu/>. Чтобы получить Расширенную гарантию, Покупатели должны зарегистрировать свои Продукты онлайн в течение 30 календарных дней с даты покупки. Все персональные данные Покупателя будут обрабатываться в соответствии с положением о конфиденциальности, которое доступно по адресу <https://uk.ryobitools.eu/footer-links/privacy-policy/>. Подтверждение регистрации, полученное по электронной почте, и оригинал чека с датой покупки будут служить подтверждением Расширенной гарантии.

3. Обязательства по Стандартной и Расширенной гарантии (далее – «Гарантии») ограничиваются ремонтом или заменой дефектного Продукта по усмотрению компании TTI при условии, что производственный дефект или дефект материалов существовал на момент покупки. Рекламации на возмещение дополнительных расходов или убытков не принимаются. Кроме того, Гарантии не покрывают следующие:

- любой ущерб, причиненный случайно, намеренно или по неосторожности покупателем
- любое повреждение Продукта в результате неправильного использования или недостаточного технического обслуживания
- любой Продукт, подвергшийся изменениям или модификации
- любой Продукт, оригинальные идентификационные элементы (торговая марка, серийный номер) которого были изменены, повреждены или удалены
- любые повреждения, возникшие по причине несоблюдения инструкций по эксплуатации
- Продукты, которые не сертифицированы CE/UKCA
- любой Продукт, попытка произвести ремонт которого была выполнена в неавторизованном сервисном центре или без предварительного разрешения компании TTI
- любой Продукт, подключенный к неподходящему источнику питания (несоответствие силы тока, напряжения, частоты)
- любой Продукт, в котором использовалась неподходящая топливная смесь (неподходящее топливо, масло или неправильное соотношение топлива и масла)
- любые повреждения, вызванные внешними воздействиями (вода, химические вещества, физические факторы, удары) или посторонними веществами
- естественный износ запасных частей
- неправильное использование, перегрузка Продукта(ов)
- использование неподходящих принадлежностей или оригинальных запасных частей
- принадлежности для электроинструмента, входящие в комплект поставки инструмента или приобретенные отдельно. К таким исключениям относятся, помимо прочего, биты для отвертки, сверла, абразивные диски, наждачная бумага и ножи, боковая направляющая
- компоненты (запасные части и принадлежности), подверженные естественному износу, включая, помимо прочего, комплект для обслуживания, угольные щетки, подшипники, патрон, крепление или гнездо сверла SDS, шнур питания, дополнительное рукоятку, ящик или сумку для транспортировки, шлифовальную пилу, мешок для сбора пыли, трубу отвода пыли, войлочные щетки, шифты и пружины ударного гайковерта, ударные шурупы, приводные ремни, муфта, лезвия ножиц для живой изгороди или ножи газонокосилки, оснату, дроссельный регулятор с тросом, граблины, палцы снегоного устройства, вентиляторы воздуходувки, надетые и снятые трубки, вакуумный мешок и щетки, пыльные швы и щели, шланги, соединительные элементы, насадки для распыления, колеса, штанги-распылители, внутренние ножи, внешние шурупы, режущие корды, свечи зажигания, воздушные фильтры, газовые фильтры, ножи для мульчирования и т. д.

4. Для гарантийного обслуживания Продукт(ы) должны быть отправлены или принесены без неоправданной задержки после возникновения или подтверждения производственного дефекта или дефекта материалов одному из авторизованных партнеров по техническому обслуживанию компании RYOBI, указанных на сайте <https://www.ryobitools.eu/>. Покупатели могут получить обслуживание по Гарантии у партнера по техническому обслуживанию RYOBI следующим образом:

- a. путем обращения в дилерский центр, где была совершена покупка, или
- b. путем регистрации на сервисной платформе, доступной на коммерческом сайте RYOBI <https://www.ryobitools.eu/> (доступность сервиса может отличаться в зависимости от страны).

При отправке изделия авторизованному партнеру по техническому обслуживанию компании RYOBI изделие должно быть надлежащим образом упаковано без использования опасных материалов (подробнее см. инструкции по технике безопасности на сайте <https://www.ryobitools.eu/>), с указанием адреса отправителя и четким описанием дефекта. Обратите внимание, что в некоторых странах в соответствии с местными правилами доставки или почтовые расходы оплачиваются отправителем. Обратитесь в местный авторизованный сервисный центр RYOBI, чтобы уточнить условия оплаты.

5. После получения Продукта, указанного Покупателем как дефектный, будет проведена его проверка. После подтверждения дефекта по Гарантии будет выполнен ремонт или замена дефектных деталей изделия по усмотрению компании TTI. Если TTI отказывается выполнить ремонт дефекта или по решению компании TTI ремонт не может быть выполнен успешно, будет предоставлена эквивалентная замена. Заменяемые Продукты или детали становятся собственностью TTI. Любые ремонтные работы/замены, предусмотренные условиями вышеуказанных Гарантий, выполняются бесплатно. Ремонт/замена, выполняемые TTI, не дают право на продление или получение новых Гарантий. На заменяемые запасные части распространяются первоначально предоставленные Гарантии, и срок действия Гарантии истекает в соответствии с периодом действия первоначально предоставленной Гарантии на весь Продукт.

6. Гарантии RYOBI предоставляются компанией Technronic Industries GmbH, Max-Eyth-Str.10, 71364 Winnenden, Германия, только первому Покупателю Продукта и не могут быть переданы или уступлены другому лицу.

7. Гарантии действуют в странах Европейской экономической зоны (ЕЭЗ), Швейцарии и Великобритании. За пределами этих регионов обратитесь в дилерский центр, где была совершена покупка, чтобы уточнить наличие других добровольно предоставляемых гарантий.

PL WARUNKI STOSOWANIA GWARANCJI RYOBI

Wszystkie nowe elektronarzędzia marki RYOBI i/lub narzędzia ogrodowe wymienione na naszej stronie internetowej, z wyłączeniem akcesoriów, narzędzi, systemów przechowywania narzędzi, części zamiennych, zgodnie z opisem w punkcie „Produkty” są objęte dodatkowo do wszelkich ustawowych praw wynikających z zakupu produktu i bez uszczerku dla praw ustawowych, które obowiązują niezależnie i bezpłatnie. Dobrowolna gwarancja wydana przez Technonic Industries GmbH („TTI”) z zastrzeżeniem warunków określonych poniżej („Gwarancja”).

Gwarancja ma zastosowanie wyłącznie do nabywców, którzy kupują produkty jako użytkownicy końcowi w charakterze konsumentów („Konsument”). Sprzedawca, detaliczni, wypożyczalnie, a także profesjonalni użytkownicy końcowi są wyrazie wyłączeni z niniejszych ogólnych warunków gwarancji. W przypadku profesjonalnych użytkowników końcowych do niektórych produktów może mieć zastosowanie inny rodzaj dobrowolnej gwarancji, o ile zostało to wyraźnie przewidziane na stronie www.ryobitools.eu. Odwołanie się do niniejszej, dobrowolnej Gwarancji nie ogranicza ustawowych praw Konsumenta w przypadku wystąpienia wad.

1. Standardowa gwarancja („Gwarancja standardowa”), pod warunkiem, że Produkt został zakupiony wyłącznie do użytku prywatnego, obowiązuje przez okres 24 miesięcy („Standardowy okres gwarancji”) i rozpoczyna się w dniu zakupu produktu. Data ta jest zawarta w odpowiedniej dokumentacji produktu pod adresem <https://www.ryobitools.eu> i/lub jest zawarta w odpowiedniej dokumentacji produktu pod adresem <https://www.ryobitools.eu>. Aby możliwe było skorzystanie z Gwarancji rozszerzonej, konsument musi zobowiązać do zarejestrowania swojego produktu (produktów) online w ciągu 30 dni kalendarzowych od daty zakupu. Wszystkie dane osobowe konsumenta będą przetwarzane zgodnie z oświadczeniem o ochronie prywatności, które można znaleźć pod adresem <https://uk.ryobitools.eu/footer-links/privacy-policy/>. Potwierdzenie rejestracji, które jest wysyłane pocztą elektroniczną, oraz oryginalna faktura z daty zakupu, będą stanowić dowód przedłużenia Gwarancji.

2. Konsument w niektórych krajach może przedłużyć Gwarancję standardową na kwalifikujące się produkty poza jej okres obowiązywania, rejestrując się na stronie www.ryobitools.eu. Możliwość zakwalifikowania produktów do rozszerzonej gwarancji („Gwarancja rozszerzona”) jest określona na opakowaniu produktu, na stronie internetowej www.ryobitools.eu i/lub jest zawarta w odpowiedniej dokumentacji produktu pod adresem <https://www.ryobitools.eu>. Aby możliwe było skorzystanie z Gwarancji rozszerzonej, konsument musi zobowiązać do zarejestrowania swojego produktu (produktów) online w ciągu 30 dni kalendarzowych od daty zakupu. Wszystkie dane osobowe konsumenta będą przetwarzane zgodnie z oświadczeniem o ochronie prywatności, które można znaleźć pod adresem <https://uk.ryobitools.eu/footer-links/privacy-policy/>. Potwierdzenie rejestracji, które jest wysyłane pocztą elektroniczną, oraz oryginalna faktura z daty zakupu, będą stanowić dowód przedłużenia Gwarancji.

3. Gwarancja standardowa i Gwarancja rozszerzona („Gwarancje”) są ograniczone do naprawy i/lub wymiany wadliwego produktu według uznania firmy TTI, pod warunkiem, że wada wykosztowała lub materiał istniała w dniu zakupu. Nie można składować żadnych dodatkowych roszczeń z tytułu kosztów ani strat. Ponadto gwarancje nie mają zastosowania do:

- wszelkich uszkodzeń spowodowanych przypadkowo, umyślnie lub przez zaniedbanie Konsumenta
- wszelkich uszkodzeń produktu, które są wynikiem niewłaściwego postępowania z produktem lub braku konserwacji
- wszelkich produktów, które zostały zmienione lub zmodyfikowane
- wszelkich produktów, w którym oryginalne oznaczenia identyfikacyjne (znak towarowy, numer seryjny) zostały zniszczone, zmienione lub usunięte
- wszelkich uszkodzeń spowodowanych nieprzestrzeganiem instrukcji obsługi
- produktów, które nie podlegają oznakowaniu CE/UKCA
- wszelkich produktów, który próbowano naprawić przez nieautoryzowane centrum serwisowe lub bez uprzedniej zgody firmy TTI
- wszelkich produktów podłączonych do niewłaściwego zasilania (napięcie, napięcie, częstotliwość)
- wszelkich produktów używanych z nieodpowiednią mieszaniną paliwa (paliwo, olej, stosunek oleju)
- wszelkich uszkodzeń spowodowanych przez czynniki zewnętrzne (woda, chemikalia, wstrząsy fizyczne) lub substancje obojętne
- normalnego zużycia części zamiennych
- niewłaściwego użycia, przecięcia produktu
- stosowania niezatwierdzonych akcesoriów lub części
- akcesoriów do elektronarzędzi dostarczanych wraz z narzędziami lub zakupionych oddzielnie. Takie wyłączenia obejmują między innymi bli wkrętaki, wiertła, łarcze ścienne, papier ścierny i ostrza, prowadnice boczne
- elementy (części i akcesoria), które podlegają normalnemu zużyciu w tym między innymi zestawy serwisowe i konserwacyjne, szczotki węglowe, łożyska, uchwyty, mocowania lub gniazdo wiertła SDS, przedwzrostki zasilający, uchwyty pomocnicze, wkładki transportowa, płyta szlifierska, worek na kurz, nura odprowadzająca kurz, podkładki filcowe, kółka i sprężyny klucza udarowego, pokręta, pasy napędowe, sprężko, ostrza nożne do żyrowplotu lub kosiarzek do trawy, oprawy, żurawia kablowa, zęby, sworznie zaczepowe, wentylatory dmuchawy, rury dmuchawy i odkurzaczy, worki i paski do odkurzacza, prowadnice, łańcuchy do pilarek, przewody elektryczne, złączki, dysze rozpylające, kła, rozpylacze, bełny wentylatorne, swarki zewnętrzne, linie tarcz, świece zapłonowe, filtry powietrza, filtry gazy, oraz do młotowca bita.

4. W celu obsługi gwarancyjnej Produkt musi zostać wysłany lub przedstawiony bez zbędnej zwłoki po wystąpieniu lub stwierdzeniu wady wykonania lub materiału autorowanemu partnerowi serwisowemu RYOBI wymienionemu na poniższej stronie internetowej <https://www.ryobitools.eu>. Konsumentowi można uzyskać usługi na podstawie gwarancji od partnera serwisowego RYOBI poprzez

- a. kontakt ze sprzedawcą detalicznym, u którego dokonano zakupu; lub
 - b. rejestrację za pośrednictwem platformy usługowej dostępnej na stronie internetowej RYOBI Commercial <https://www.ryobitools.eu>, dostępność procesu może różnić się w zależności od kraju.
- Przy wysłaniu produktu do autorowanego partnera serwisowego RYOBI należy bezpiecznie zapakować produkt bez niebezpiecznej zawartości (szczegółowe informacje można znaleźć w instrukcji bezpieczeństwa na stronie internetowej <https://www.ryobitools.eu>), zaznaczając adres nadawcy i wraz z krótkim opisem wady. Należy pamiętać, że w niektórych krajach koszty wysyłki będą musiały zostać uiszczone przez nadawcę zgodnie z lokalnymi wytycznymi. Należy skonsultować się z lokalnym autorowanym centrum serwisowym firmy RYOBI, aby potwierdzić, czy takie opłaty obowiązują.

5. Po otrzymaniu produktu uznanego przez Konsumenta za wadliwy zostanie on sprawdzony. Po potwierdzeniu wady wynikającej z gwarancji usługi będą świadczone poprzez naprawę wadliwych części produktów lub wymianę ich na części niewadliwe według uznania firmy TTI. Jeśli firma TTI odmówi naprawy uszerek lub jeśli według jej uznania naprawa nie powiodła się, zostanie zapewniona równoważna wymiana. Zastąpiony produkt lub części stana się własnością TTI. Wszelkie naprawy/wymiany w ramach powyższych gwarancji są bezpłatne. Naprawy/wymiany przeprowadzone przez firmę TTI nie stanowią przedłużenia ani nowego cyklu gwarancji. Wymienione części zamienne podlegają pierwotnie ustalonemu gwarancjom, a okres ich gwarancji kończy się wraz z okresem gwarancji, który pierwotnie został udzielony na cały produkt.

6. Gwarancje RYOBI udzielane są przez Technonic Industries GmbH, Max-Eyth-Str.10, 71364 Winnenden, Niemcy, wyłączenie Konsumentowi, który pierwotnie zakupił produkt, i nie mogą być przenieszone ani przekazywane.

7. Gwarancje obowiązują w Europejskich Obszarach Gospodarczych (EOG), Szwajcarii i Wielkiej Brytanii. Poza tymi obszarami należy skontaktować się ze sprzedawcą detalicznym, u którego dokonano zakupu, aby dowiedzieć się, czy obowiązują inne dobrowolna gwarancja.

CS PODMÍNY PŁATNOSTI ŽÁRUKY SPOLEČNOSTI RYOBI

Kromě jakýchkoli zákonných práv vyplývajících z nákupu výrobku a aniž jsou dotčena zákonná práva, která platí nezávisle a bezplatně, veškeré nové elektrické nářadí značky RYOBI a/nebo zahradní nářadí uvedené na našich webových stránkách, s výjimkou příslušenství nářadí, nástrojů, systémů pro skladování nástrojů a náhradních dílů, jak je dále uvedeno v části („Výrobek”), je kryto dobrovolnou žárukou vydanou společností Technonic Industries GmbH („TTI”), a to za níže uvedených podmínek („žárka”).

Žárka se vztahuje pouze na záruční, kteří nakoupí výrobky jako koncoví uživatelé v rámci své spotřebitelské role (dále jen „spotřebitel”). Malobchůvci, půjčovny a rovněž profesionální koncoví uživatelé jsou z této všeobecné podmínky žárky výslovně vyloučeni. V případě profesionálních koncových uživatelů může po určité výrobky platit jiná dobrovolná žárka, je-li to výslovně uvedeno na webových stránkách www.ryobitools.eu. Vyplnění této dobrovolné žárky nemožné zákonná práva spotřebitele v případě vady.

1. Standardní žárka (dále jen „standardní žárka”) za předpokladu, že je výrobek zachráněn pouze pro soukromé použití, trvá po dobu 24 měsíců (dále jen „standardní záruční lhůta”) a začíná dnem zakoupení výrobku. Toto datum musí být zdookumentováno fakturou nebo jiným dokladem o nákupu, aby byla standardní žárka platná a vymahatelná. Tato standardní žárka se vztahuje pouze na nové výrobky.

2. Spotřebitelé v některých zemích mohou mít možnost prodloužit standardní žárku na způsobilé výrobky ještě za lhůtu standardní žárky, a to registrací na webových stránkách www.ryobitools.eu. Způsobilé výrobky pro prodloužení žárky („prodloužená žárka”) je uvedena na obalu výrobku, na webových stránkách www.ryobitools.eu a/nebo je uvedena v příslušné produktové dokumentaci na adrese <https://www.ryobitools.eu/>. Aby bylo možné využít výhodu prodloužení žárky, musí spotřebitelé zaregistrovat své výrobky online do 30 kalendářních dnů od data nákupu, poté budou moct žápat výhodu této prodloužené žárky. Veškeré osobní údaje spotřebitelé budou zpracovány v souladu s prohlášením o ochraně osobních údajů, která naleznete na adrese <https://uk.ryobitools.eu/footer-links/privacy-policy/>. Potvrzení registrace, které se zaslá e-mailem, a původní faktura s datem nákupu, budou sloužit jako doklad o prodloužené žárce.

3. Standardní žárka a prodloužená žárka (dále jen „žárky”) jsou omezeny na opravu a/nebo výměnu vadného výrobku dle udrázení spotřebitele TTI za předpokladu, že z datu nákupu existuje vada zpracování nebo materiálu. Nelze uplatnit žádné další náklady ani záruky. Kromě toho se žárky nevztahují na:

- žádné škody způsobené spotřebitelem náhodně, umylně nebo z nedbalosti
- žádné poškození výrobku způsobené nesprávným zacházením nebo nedostatečnou údržbou
- žádné výrobky, který byl změněn nebo upraven
- žádné výrobky, u kterého došlo k porušení, změně nebo odstranění původního identifikačního označení (ochranná známka, sériové číslo)
- žádné poškození způsobené nedodržáním návodu k použití
- výrobky, které nejsou předmetem označení CE/UKCA
- žádné výrobky, který byl opraven v neautorizovaném servisním středisku nebo bez předchozího souhlasu společnosti TTI
- žádné výrobky připojený k nesprávnému zdroji napájení (apertury, napětí, frekvence)
- žádné výrobky používaný s nevhodnou směsí paliva (palivo, olej, poměr oleje)
- žádné poškození způsobené vnějšími vlivy (voda, působení chemikálií, fyzikální podmínky, nárazy) nebo cizorodými látkami
- žádné poškození a poškození náhradních dílů
- nevhodné použití, přetížení výrobku či výrobků
- použití neschváleného příslušenství nebo dílů
- příslušenství k elektrickým nástrojům dodávané s nástrojem nebo zakoupené samostatně. Takové výjimky, zejména šroubováky bity, vrtačky, brusné kotáče, smrkový papír a čepele, součásti předního vedení
- díly a příslušenství, které podléhají normálnímu opotřebení, zejména pak servisní a údržbové sady, uhlíkové kartáče, ložiska, skřídlo, nástavec nebo uchlý tvrdý SDS, napájecí kabel, pomocná rukojeť, přípravky kufřík, brusná deska, prachový sáček, odsávací trubice na prach, plastné podložky, kolíky a pružiny pro rázové utahovačky, dorazové knoflíky, hnací členy, spojka, ostríi nůžek na živý plot nebo nože sekačky na trávu, postroj, spojky kabel, hroty, závesné kolíky, ventilátory foukačky, foukací a odsávací trubice, sáček vysavače a popruhy, vodní lisy, pilové řetězy, hadice, spojovací armatury, rozprašovači trysky, kola, posávkovací trysky, vnitřní cívková vinutí, navíječky, řezací linky, zapalovací svíčky, vzduchové filtry, plynové filtry, mlučivací nebo apod.

4. Pro účely záručního servisu musí být výrobky (výrobky) odesány nebo předloženy bez zbytečného odkladu po výstupu nebo uznání vady zpracování nebo materiálu autorovanému servisnímu partnerovi společnosti RYOBI uvedenému na následujících webových stránkách <https://www.ryobitools.eu>. Spotřebitelé mohou získat služby v rámci žárky od servisního partnera RYOBI:

- a. kontaktováním prodejce, u kterého byl nákup uskutečněn; nebo
 - b. registrací prostřednictvím servisní platformy dostupné na komerční webové stránce společnosti RYOBI na adrese <https://www.ryobitools.eu/>, dostupnost procesu se může lišit v jednotlivých zemích lidst.
- Př odeslání výrobku autorizovanému servisnímu partnerovi společnosti RYOBI musí být výrobek bezpečně zabalen a bez nebezpečného obsahu (podrobnosti naleznete v bezpečnostních pokynech na webových stránkách společnosti RYOBI), označen adrese odesílatele a doplněn krátkým popisem vady. Vezměte prosím na vědomí, že v některých zemích bude muset odesílatel uhradit poplatky za doručení nebo poštovné v souladu s místní praxí. Informace o tom, zda jsou tyto poplatky účtovány, vám poskytne místní autorovaný servisní středisko společnosti RYOBI.

5. Po odtření výrobku, který je dle spotřebitele vadný, bude výrobek zkontrolován. Když se závada potvrdí, budou poskytnuty služby dle ustanovení žárky ve formě opravy vadných dílů výrobku nebo jejich výměny za bezvadné díly, a to u ole udrázení společnosti TTI. Pokud společnost TTI odmítne závadu opravit nebo pokud se oprava podle udrázení společnosti TTI nezdarí, bude dodána ekvivalentní náhrada. Nahrazené výrobky nebo díly se stanou vlastnictvím společnosti TTI. Veškeré opravy nebo výměny podle výše uvedených žárk jsou zdarma. Opravy nebo výměny provedené společností TTI nezakládají nárok na prodloužení ani na nový začátek žárky. Vyměněné náhradní díly podléhají původní uvedeným žárkám a zahrnují lhůta těchto žárk skončí lhůtu žárky, která byla původně poskytnuta na celý výrobek.

6. Žárky společnosti RYOBI uděluje společnost Technonic Industries GmbH, Max-Eyth-Str.10, 71364 Winnenden, Německo, pouze spotřebitelé, který výrobek původně zakoupil – výrobek nesmí být převeden ani postoupen.

7. Žárky jsou platné v Evropském hospodářském prostoru (EHP), Švýcarsku a Velké Británii. Mimo tyto oblasti se obratě na prodejce, u kterého se uskutečnil nákup, a zjistěte, zda se na výrobek nevztahuje jiná dobrovolná žárka.

HU RYOBI GARANCIA ALKALMAZÁSI FELTÉTELEI

A termék megvásárlásából eredő törvényes jogokon túlmenően és a törvényes jogok sérelme nélkül – amelyek függetlenül és térítésmentesen érvényesek –, a weboldalon felsorolt minden új RYOBI márkájú elektromos szerszáma és/vagy kerti szerszáma, kivéve a szerszámterozékokat, szerszámterozó rendszereket és pótalkatrészeket a továbbiakban (a „Termék” pontban) meghatározottak szerint, a Techntron Industries GmbH („TTI”) által az alábbiakban meghatározott feltételek mellett kiadott önkéntes garancia („Garancia”) vonatkozik. A garancia kizárólag a termékek végfelhasználókat, fogyasztókat („Fogyasztó”) megvásárló személy(ek)/vállalkozás(ak)ra vonatkozik, a kiskereskedő, a kölcsönző cégek, valamint a professzionális végfelhasználókat kifejezetten ki vannak zárva a garancia ezen általános feltételei alól. A professzionális végfelhasználók számára bizonyos termékek(ek)re más típusú önkéntes garancia vonatkozik, amennyiben azt a www.ryobitools.eu weboldalon kifejezetten fel van tüntetve. Az önkéntes garancia igénybevétele nem korlátozza a Fogyasztó törvényes jogait meghibásodás esetén.

1. A standard garancia („Standard garancia”), feltéve, hogy a termék kizárólag magáncélra vásároljuk meg, 24 hónapos időtartamú („Standard garanciadél”), és a termék megvásárlásának napján kezdődik. Ezt az időpontot számválvány vagy egyéb, vásárlást igazoló dokumentummal kell dokumentálni, ahogy a Standard Garancia érvényes és érvényesíthető legyen. Ez a Standard garancia szintén csak az új Termék(ek)re vonatkozik.

2. Egyes országokban a fogyasztók a www.ryobitools.eu weboldalon történő regisztrációval meghosszabbíthatják a Standard garancia időtartamát az arra jogosult termékek esetében. A Termékek kiterjesztett garanciára („Kiterjesztett garancia”) való jogosultsága a Termék csomagolásán, a www.ryobitools.eu weboldalon és/vagy a vonatkozó termékadománygyűjtőben a <https://www.ryobitools.eu/> címen található. A Kiterjesztett garancia igénybevételehez a fogyasztóknak a vásárlás napjától számított 30 naptári napon belül online regisztrálniuk kell a Termék(ek)et. A Fogyasztó minden személyes adatait az adathéltelenül nyilatkozások megfogalmazásánál meg kell adnia, amely új találatok: <https://uk.ryobitools.eu/footer-links/privacy-policy/>. A Kiterjesztett garancia igazolásának a regisztráció visszaigazoló, e-mailben kiküldött nyilvántartás és a vásárlás dátumát feltüntető eredeti számla szolgál.

3. A Standard Garancia és a Kiterjesztett Garancia („Garanciák”) a TTI döntése szerint a hibás Termék javítására és/vagy cseréjére korlátozódik, feltéve, hogy a gyártást vagy anyaghiba a vásárlás időpontjában fennállt. További költségek vagy veszteségek megtérítése nem igényelhető. Ezen túlmenően a garanciák nem vonatkoznak a következőkre:

- a Fogyasztó által véletlenül, szándékosan vagy gondatlanságból okozott kár
- a Termékekben a nem megfelelő kezelés vagy a karbantartás hiánya miatt bekövetkezett károk
- bármely olyan termék, amelyet átalakítottak vagy módosítottak
- bármely olyan termék, amelyen az eredeti azonosító jelzés (védjegy, sorozatszám) lefestették, megváltoztatták vagy eltávolították
- a használatú utasítás be nem tartása miatt keletkezett okozott kár
- CE/UKCA-jelöléssel nem rendelkező termékek
- bármely olyan Termék, amelyet nem hivatalos szervizközpont javított vagy a TTI előzetes engedélye nélkül próbáltak megjavítani.
- nem megfelelő lépésnyeghez csatlakoztatott termék (amper, feszültség, frekvencia)
- nem megfelelő előkészítéssel üzemanyag-keveréket (üzemanyag, olaj, olaj aránya) használt bármely termék
- külső behatások (víz, vegyszer, fizikai, áramütés) vagy idegen anyagok által okozott károk
- pótalkatrészek normál elhasználódása
- a Termék(ek) nem rendeltetésszerű használatú, túlhűlésre
- nem jóváhagyott tartozékok vagy alkatrészek használata
- a szerszámhoz mellékelt vagy külön megvásárolt elektromos szerszám-tartozékok. Ezek a kizáró feltételek eltérhetnek többek között a normál kopásnak és elhasználódásnak kitért csavarhúzófejek, fűrészfejek, csiszolókorongok, csiszolópapírok és pengék, oldalsó vezető
- komponensek (alkatrészek és tartozékok) esetében, beleértve többek között a következőket: szerszám karbantartási készletek, szénkéfék, csapágyak, tokmány, fűrészárgépjel vagy -oldalak, tápkábel, kiegészítő fogantyú, hordtáska, csiszolóelem, porzsák, porlezívó cső, ficalátétek, üvegsavazó csapok és rugók, adófogófogók, hajlítók, tengelykapcsoló, sövénygáznyújtó vagy fűrészpengék, heveder, főtűszelők, fogak, csapágyak, fűvívmenteltorok, fűvív- és szivócsővek, lomtörőcsővek és villászi, vezetőfémek, fűrészárok, tömlők, csatlakozószelvények, szűrőszalagok, kerékek, szűrőfejek, belső társzák, külső orsó, vágvonalak, gyújtógyertyák, levegőszűrők, gázzűrők, mulcsözőkésék stb.

4. A garanciális szervizeléshez a Termék(ek)et a gyártási vagy anyaghiba megjelenését vagy felismerését követően haladéktalanul el kell küldeni vagy be kell mutatni a <https://www.ryobitools.eu> weboldalon felsorolt hivatalos RYOBI szervizpartnerek valamelyikének. A fogyasztók a Garanciák szerinti szolgáltatásokat egy RYOBI szervizpartnernél vehetik igénybe a következők módon:

- a kapcsolattartóval a kereskedővel, ahol a vásárlás történt; vagy
 - regisztráció a RYOBI kereskedelmi weboldalon (<https://www.ryobitools.eu/>) elérhető szervizplatformon keresztül, a folyamat elérhetővé lesz az országunkat eltérő lehet.
- A Termékek a RYOBI hivatalos szervizpartnerekhez történő elküldésekor a Termékek biztonságosan, veszélyes anyagok nélkül kell besomagolni (a részleteket lásd a <https://www.ryobitools.eu> weboldalon található biztonsági utasításokban), a feladó címével és a hiba rövid leírásával ellátva. Kérjük, vegye figyelembe, hogy egyes országokban a szállítási díjakat vagy a postaköltséget a helyi gyakorlatnak megfelelően a feladónak kell megfizetnie. Kérjük, forduljon a helyi RYOBI hivatalos szervizközpontjához, hogy megbizonyosodjon arról, hogy Önre is vonatkoznak-e ezek a díjak.

5. A Fogyasztó által hibásnak vélt Termék átvételkor meg kell nézni az átvételszágot. A hiba megállapítását követően a garanciális szolgáltatásokról a TTI döntése szerint a terméknek hibás részekének javításával vagy hibátlan alkatrészekkel való cserével valósul meg. Ha a TTI elutasítja a hiba kijavítását, vagy ha a TTI mérlegelés szerint a javítás sikeresen volt, akkor egyenértékű elemekkel biztosít. A kicserélt Termék(ek) vagy alkatrészek a TTI tulajdonába kerülnek). A fenti garanciák szerinti javítások/cserék ingyenesek. A TTI által végzett javítások/cserékkel nem jár együtt a Garanciák meghosszabbítása vagy újraképzése. A kicserélt pótalkatrészekre az eredetileg érvényes Garanciák vonatkoznak, és a Garanciák időtartama a teljes termékre eredetileg adott Garancia időtartamával egybe eshet.

6. A RYOBI garanciákat a Techntron Industries GmbH (Max-Eyth-Str.10, 71364 Winnenden, Németország) kizárólag a termék eredetileg megvásároló fogyasztóknak nyújtja, és azok nem ruházhatók át.

7. A Garanciák az Európai Gazdasági Térségben (EGT), Svájcban és az Egyesült Királyságban érvényesek. Ezen a területen kívül kérjük, forduljon a vásárlás helye szerinti kereskedőhöz, hogy megtudja, érvényes-e a termékére más önkéntes garancia.

RO CONDIȚII DE APLICARE A GARANȚIEI RYOBI

În plus față de orice drepturi stabilite care decurg din achiziționarea unui produs și fără a aduce atingere drepturilor stabilite care se aplică în mod independent și gratuit, toate untele electrice și/sau untele de grădini și marca RYOBI enumerate pe site-ul nostru web, cu excepția accesoriilor pentru untele, a sistemelor de depozitare a untelei și piesele de schimb, așa cum sunt descrise în continuare la „Produs”, sunt acoperite de o garanție voluntară emisă de Techntron Industries GmbH („TTI”), conform termenilor și condițiilor menționate mai jos („Garanție”).

Garanția se aplică numai cumpărătorilor care achiziționează produsele ca utilizatori finali în calitate de consumatori („Consumatori”). Comercianții cu amănuntul, companiile de închiriere, precum și utilizatorii finali profesioniști sunt excluși în mod expres din acești termeni și condiții generale ale Garanției. Pentru utilizatorii finali profesioniști, se poate aplica un alt tip de garanție voluntară amănuntului nostru, dacă este prevăzută în mod explicit pe site-ul www.ryobitools.eu. Înlocuirea Garanției voluntare nu limitează drepturile legale stabilite ale Consumatorului în cazul unui defect.

1. Garanția standard („Garanția standard”), cu condiția ca produsul să fie achiziționat numai pentru uz privat, are un termen de 24 de luni („Perioada de garanție standard”) și începe la data achiziționării produsului. Această dată trebuie să fie documentată printr-o factură sau altă dovadă de cumpărare pentru a Garantiilor. Standardul să fie valabil și aplicabil. De asemenea, această Garanție standard se aplică numai Produselor noi.

2. Consumatorii din anumite țări pot prelungi Garanția standard pentru Produsele eligibile dincolo de perioada Garanției standard, prin înregistrarea pe site-ul www.ryobitools.eu. Eligibilitatea Produselor pentru garanție extinsă („Garanția extinsă”) este specificată pe ambalajul unui Produs, pe site-ul www.ryobitools.eu și/sau este cuprinsă în documentația relevantă a Produsului la <https://www.ryobitools.eu/>. Pentru a beneficia de Garanția extinsă, Consumatorii sunt obligați să își înregistreze Produsul(ile) online în termen de 30 de zile calendaristice de la data achiziției. Toate datele cu caracter personal ale unui Consumator vor fi prelucrate în conformitate cu declarația de confidențialitate, care poate fi găsită aici <https://ro.ryobitools.eu/footer-links/privacy-policy/>. Chieltă de confirmare a înregistrării, care este trimisă prin e-mail, și factura originală care arată data achiziției vor servi drept dovadă a Garanției extinse.

3. Garanția standard și Garanția extinsă („Garanții”) sunt limitate la repararea și/sau înlocuirea Produsului defect, la discreția TTI, cu condiția ca defectul de manipulare sau material să fi existat la data achiziției. Nu pot fi pretinse alte costuri sau pierderi. În plus, garanțiile nu se aplică:

- otrădare daune cauzate accident, voit sau neajutat de către Consumator
- otrădare deteriorării a Produsului care este rezultatul unui tratament necorespunzător sau al lipsei de întreținere
- otrădare Produs care a fost alterat sau modificat
- otrădare Produs la care marcele de identificare originale (marca comercială, numărul de serie) au fost deteriorate, alterate sau îndepărtate
- otrădare daune cauzate de nerespectarea manualului de instrucțiuni
- Produselor care nu sunt supuse unui marcaj CE/UKCA
- otrădare Produs pentru care s-a încercat repararea de către un centru de service neautorizat sau fără autorizarea prealabilă a TTI
- otrădare Produs conectat la o sursă de alimentare necorespunzătoare (amperi, tensiune, frecvență)
- otrădare Produs folosit cu un amestec de combustibil inadecvat (combustibil, ulei, raport de ulei)
- otrădare daune cauzate de influențe externe (apă, substanțe chimice, forțe fizice, șocuri) sau substanțe străine
- uzuri normale a pieselor de schimb
- utilizării necorespunzătoare, suprautilizării Produsului(e)lor
- utilizării de accesorii sau piese neomologate
- accesorilor pentru untele electrice furnizate împreună cu untele sau achiziționate separat. Astfel de accesorii includ, dar fără a se limita la, capace de surubelniță, burghie, discuri abrazive, hărtie abrazivă și lame, ghidaje laterale
- componente (pieși și accesorii) care sunt supuse uzurii normale, inclusiv, dar fără a se limita la, truse de reparare și întreținere, perii de carbon, rulmenți, mandrină, atașament sau receptacul pentru burghie SDS, cablu de alimentare, mâner auxiliar, cutie de transport, placă de șlefuit, sac de praf, tub de evacuare a prafului, șabie de tăiere, șifur și ancu pentru mașini de înșurubat cu impact, butonare rotative, curele de transmisie, ambreiaj, lame pentru mașini de tuns grădii sau mașini de tuns iarba, cablaj, accelerație prin cabl, dinți, știfturi de cuplare, ventilatoare de suflantă, tuburi de suflantă și de aspirator, sac și curele de aspirator, bare de ghidare, latine de ferăstrău, furcutoare, racorduri de conecare, duze de pulverizare, roți, baghete de pulverizare, bobine interioare, bobine exterioare, file de tăiere, bușii, filtre de aer, filtre de gaz, lame de mănunchi etc.

4. Pentru reparații în garanție, Produsul(ile) trebuie să fie trimis sau prezentat fără întârziere justificată după apariția sau recunoașterea defectului de manipulare sau de material unui partener de service autorizat RYOBI enumerat pe următorul site web <https://www.ryobitools.eu/>. Consumatorii pot obține servicii conform Garanțiilor de la un partener de servicii RYOBI prin

- a. contactarea comerciantului cu amănuntul unde a fost făcută achiziția; sau
 - b. înregistrarea prin intermediul platformei de service disponibilă pe pagina web comercială RYOBI <https://www.ryobitools.eu/>, disponibilă la cererea procesului poate varia de la o țară la alta.
- Când trimiteți un Produs către un partener de service autorizat RYOBI, Produsul va fi ambalat în siguranță, fără conținut periculos (detalii, consultați instrucțiunile de siguranță de pe site-ul <http://www.ryobitools.eu/>), marcat cu adresa expeditorului și însoțit de o scurtă descriere a defectului. Rețineți că, în unele țări, taxele de livrare sau taxele poștale vor trebui plătite de către expeditor, conform practicii locale. Consultați centrul de service local autorizat RYOBI pentru a confirma dacă se aplică astfel de taxe.

5. La primirea Produsului prețins de către Consumator ca fiind defect, acesta va fi inspectat. Când defectul a fost confirmat, serviciile conform Garanțiilor vor fi furnizate prin repararea pieselor defecte ale produselor sau înlocuirea acestora cu piese nedefecte, la discreția TTI. Dacă TTI refuză să repare defectul sau dacă, la discreția TTI, reparația a eșuat, va fi furnizat un înlocuitor echivalent. Produsul(ile) sau piesele înlocuite vor deveni proprietatea TTI. Oricare reparație/inlocuire conform Garanțiilor de pe site-ul este gratuită. Reparația/inlocuirea efectuată de TTI nu constituie o prelungire sau un nou început al Garanțiilor. Piesele de schimb înlocuite sunt supuse Garanțiilor acordate inițial, iar perioada pentru Garanții se va încheia cu perioada pentru Garanția care a fost acordată inițial pentru întregul produs.

6. Garanțiile RYOBI sunt acordate de Techntron Industries GmbH, Max-Eyth-Str.10, 71364 Winnenden, Germania, numai Consumatorului care a achiziționat inițial Produsul și nu pot fi transferate sau cesionate.

7. Garanțiile sunt valabile în Spațiul Economic European (SEE), Elveția și Regatul Unit. În afara acestor zone, vă rugăm să contactați comerciantul de unde a fost făcută achiziția pentru a afla dacă se aplică o altă garanție voluntară.

ET RYOBI GARANTII KOHALDAMISE TINGIMUSED

Lisaks toote ostust tulenevatele seadusjärgsele õigustele, piiramata sõltumatult ja tasuta kohaldatavad seadusjärgsed õigused, kehtib kõikidele meie veebisaidil loetletud uutele RYOBI kaubamärkiga elektri- ja/või autotööriistadele, välja arvatud tööriistade tarvikutele, tööriistade hoiustamise süsteemidele ja varuosadele, nagu alpool lõpusstatud, (edaspidi „tooted“) vabatahtlik garantii, mille andja on Techtronic Industries GmbH („TTI“) ning mille suhtes kehtivad alpool esitatud tingimused („garantii“).

Garantii saad kasutada üksnes osi, kes ostavad tooteid lõppkasutajateks tarbijatena („tarbija“). Käesolevate garantii üldtingimuste kohaldamine järelevalveta, rendiettevõtjate ja kutseliste lõppkasutajate suhtes on selgesõnaliselt välistatud. Kõikide lõppkasutajate puhul võib teatud toodetele kehtida teistsugune vabatahtlik garantii, kui seda on veebisaidil www.ryobitools.eu selgesõnaliselt nimetatud. Selle vabatahtliku garantii kasutamise ei piira tarbija seadusjärgsed õigused seoses puudusega.

1. Standardse garantii („standardne garantii“) kehtivusaeg on 24 kuud („standardne garantiiaeg“), tingimused ja toote osteti üksnes isiklikult otstarbel kasutamiseks, ning see aeg algab toote ostmise kuupäevast. Standardne garantii on kehtiv ja kasutatav üksnes tingimused, et nimetatud kuupäev on dokumenteeritud arvel või muul osutu tõendavalt dokumendil. Lisaks kehtib standardne garantii ainult uutele toodetele.

2. Teatud riikides võib klientidel olla võimalik pikendada sobivate toodete standardset garantii üle standardse garantiiaja, kui nad registreeruvad veebisaidil www.ryobitools.eu. Teave toote sobivuse kohta garantii pikendamiseks („pikendatud garantii“) on esitatud toote pakendil, veebisaidil www.ryobitools.eu ja/või vastavates tootedokumentides, mis on leitavad aadressil <https://www.ryobitools.eu>. Pikendatud garantii saamiseks peavad tarbijad registreerima toote(t) ja/või 30 kalendripäeva jooksul alates ostmise kuupäevast. Kõiki tarbija isikuid, mis ei ole registreeritud kasutajateks, ei ole registreeritud kasutajateks, mis on leitav aadressil <https://www.ryobitools.eu> ja/või privatsuspoliitika. Pikendatud garantii lõpetusdokumendina kasutatakse e-postiga saadetud registreerimise kinnitust ja algset ainet, mille on näha osutu kuupäev.

3. Standardse ja pikendatud garantii („garantii“) alusel pakutakse üksnes vigase toote parandamist järelevalveta TTI äranägemisel. Tingimused ja kooste- või materjaliviga ei olems juba osu kuupäeval. Mingi muu kulu või kahju hüvitamist ei saa. Lisaks ei kehti garantii järgmise suhtes:

- tarbija poolt juhuslikult, tahkult või hooletusest põhjustatud kahjustus
- toote kahjustus, mis on tingitud valest käsitsemisest või hooldamata jälmisest
- teisendatud või ümber ehitatud toode
- toode, mille algne identifitseerimisjärjestus (kaubamärk, seerianumber) on rikutud, muudetud või eemaldatud
- kahjustus, mille on põhjustanud kasutusjuhendi juhiste eiramine
- tooted, mille puudub CE/UKCA märgis
- toode, mida on üritatud tunnusamata hooldekeskuses või ilma TTI eelneva loata
- toode, mis on ühendatud sobimatute omadustega (voolutugevus, pinge, sagedus) vooluliikiga
- toode, mille kasutatakse sobimatut külusessegu (voolu, õli, õli osakaal)
- väliste mõjurite (vesi, kemikaal, füüsiline löök, jõud) või võõrkehade põhjustatud kahju
- varuosade tavapärase kulumine
- toote lubamatu kasutamine või ülekoormamine
- heakskiitmatu tarvikute või osade kasutamine
- tööriistaga kaasas olnud või eraldi ostetud tarvikud elektritõrjeks. Käesolev välistus hõlmab muu hulgas kruvikeerajate otsakuid, puuterasid, abrasivõõrkehade, liivapaberit, terasid ja külgiühikuid
- tavapärselt kuldavad osad (varuosad ja tarvikud), kaasa arvatud remondi- ja hooldekomplektid, süsinakharjad, laagrid, padrun, SDS-trelli otsakumittusid või -pesa, tolejuhe, liisaekapeid, kandekohver, liivpaberi, tolmuorki, tolmuri ärgustamise vooli, väliseid, lõõkruvimehete tihvtid ja vedrud, otsanupud, ajamihind, sadu, hektimittimite või munniidukite terad, rakmed, kaabliüksid, hambad, haakekooskõpsid, puhuriventilaatorid, puhuri ja tolmumeja torud, tolmumeja kott ja riimad, juhtlülid, saeketid, voolikud, ühendusliitmikud, pistosteksid, rattad, pihustusvarred, sisemised rullid, välsed poolid, lõikepõhvid, süteüksused, õhutiimid, gaasilfiltrid, multiterad jne.

4. Garantiteeninduse saamiseks tuleb toode pärast kooste- või materjaliviga ilmumist või avastamist ilma põhendamata viivitusega saata või anda mõne aadressil <https://www.ryobitools.eu> loetletud RYOBI tunnustatud hooldepartnerile. Garantii alusel RYOBI hooldepartnerit teenustele saamiseks tarbijal

- a. võtavad ühendust jaemüügikohaga, kus ost sooritati, või
 - b. registreeruvad RYOBI kaubanduslikul veebisaidil <https://www.ryobitools.eu> pakutava teenuseplatvormi kaudu, selle protsessi kasutatavus võib olenevalt riigist erineda.
- RYOBI tunnustatud hooldepartnerite saadetak toode peale olematult pikendatud ilma ohtliku sisuta (täpsemat teavet leiate aadressil <https://www.ryobitools.eu> ohtusüsteemist al), sellele peab olema märgitud saaja aadress ning lisatud puuduole lühike kirjeldus. Pange tähele, et mõnes riigis peab saaja vastavalt kohalikele tavadele tasuma saamise või postikulude eest. Küsige selliste tasude kohta teavet kohaliku RYOBI tunnustatud hooldekeskusest.

5. Pärast tarbija väliste vigase toote käsitsemisest saad kontrollitakse. Kui vae esinimine leiab kinnitust, siis garantiteeninduse raames toote vigased osad TTI äranägemisel kas parandatakse või asendatakse tervele osadele. Kui TTI keeldub vae parandamisest või parandamine ole TTI hinnangu kohaselt õnnestunud, kasutatakse samaväärset asendust. Asendatud toode või osa muutub TTI omadiks. Esipoole ostetud garantii alusel leitavad parandusüksused on tasuta. TTI leitud parandusüksused ei ole alust garantii pikendamiseks ega garantii arvestuse uueks alustamiseks. Asendatud varuosade suhtes kehtivad algselt antud garantii ning nende garantii kehtivusaeg lõpeb kuigi tootele algelt antud garantiiaja lõppesega.
6. Ettevõtte Techtronic Industries GmbH (Max-Eyth-Str.10, 71364 Winnenden, Saksamaa) annab RYOBI garantii arvu toote algsest osmud tarbijale ning need ei ole lubatud võõrandada ega loovutada.
7. Garantii kehtivad Euroopa Majanduspiirkonnas (EMP), Šveitsis ja Ühendkuningriigis. Muudes piirkondades palume küsida toote jaemüügikohalt teavet selle kohta, kas kohaldatakse mõnda muud vabatahtlikku garantii.

HR UVJETI ZA PRIMJENU JAMSTVA ROBNE MARKE RYOBI

Osim svih zakonskih prava koja proizilaze iz kupovine proizvoda i ne dovodeći u pitanje zakonska prava koja se primjenjuju neovisno i besplatno, svi su novi alati ili vrtni alati robne marke RYOBI navedeni na našem web-mjestu, ne uključujući dodatke za alat, sustave za skladištenje alata i rezervne dijelove, kao što je u nastavku navedeno („Proizvod“), pokrivni dobrovoljni jamstvo koje pruža Techtronic Industries GmbH („TTI“), podložnom odredbama i uvjetima nabrojanim u nastavku („Jamstvo“). Jamstvo se odnosi isključivo na kupce koji kupe proizvode kao krajnji korisnici u ulozu potrošača („Potrošač“). Prodavaci, trživači za iznajmljivanje, kao i profesionalni krajnji korisnici izričito su izostavljeni iz svih ovih odredbi i uvjeta Jamstva. Za profesionalne krajnje korisnike može se primijeniti drugačiji vrsta dobrovoljnog jamstva za određene proizvode ako je ono izričito navedeno na web-mjestu www.ryobitools.eu. Priznavanje ovog dobrovoljnog jamstva ne ograničava zakonska prava Potrošača u slučaju oštećenja.

1. Standardno jamstvo („Standardno jamstvo“), ako je Proizvod kupljen isključivo za privatnu upotrebu, ima razdoblje trajanja od 24 mjeseca („Razdoblje standardnog jamstva“) i valjano je od datuma kupovine proizvoda. Taj datum mora biti dokumentiran razdoblje ili drugim dokazom o kupovini da bi Standardno jamstvo bilo valjano i primjenjivo. Ovo se Standardno jamstvo odnosi samo na nove Proizvode.

2. Potrošači u određenim državama mogu produljiti svoje Standardno jamstvo za Proizvode koji ispunjavaju uvjete i nakon razdoblja Standardnog jamstva tako da se registriraju na web-mjestu www.ryobitools.eu. Podobnost Proizvoda za produljeno jamstvo („Produljeno jamstvo“) navedeno je na pakiranju Proizvoda, na web-mjestu www.ryobitools.eu ili je pak do relevantne dokumentacije o Proizvodu na web-mjestu <https://www.ryobitools.eu>. Da bi iskoristili Produljeno jamstvo, Potrošači moraju registrirati svoje Proizvode putem interneta u roku od 30 kalendarskih dana od datuma kupovine. Svi osobni podaci o Potrošaču obrađivati će se u skladu s izvornom o zaštiti privatnosti, koju je moguće pronaći ovdje: <https://uk.ryobitools.eu/footer-links/privacy-policy/>. Potvrta primnika registracije, koju se šalje putem e-pošte, i originalni račun s datumom kupovine služiti će kao dokaz Produljenog jamstva.

3. Standardno jamstvo i Produljeno jamstvo („Jamstvo“) ograničena su na popravke ili zamjene neispravnog Proizvoda prema nahođenju tvrtke TTI ako je greška u izradi ili materijalu postojala na datum kupovine. Nije moguće zatražiti dodatne troškove ili naknade. Osim toga, Jamstva se ne primjenjuju na sljedeće:

- oštećenja koja su slučajno, namjerno ili neoprezno uzrokovala Potrošač
- oštećenja Proizvoda koja su rezultat nepravilnog rukovanja ili nedovoljnog održavanja
- Proizvode čija su mijenjana ili modificirana
- Proizvode čija je izvorna oznaka (zaštitni znak, serijski broj) uništena, promijenjena ili uklonjena
- oštećenja uzrokovana neprikladnim pričinama s uputama
- Proizvode koji nisu podložni oznakama CE/UKCA
- Proizvode koje je pokušao popraviti neovlašten servisni centar ili bez prethodnog odobrenja tvrtke TTI
- Proizvode koji su povezani s neodgovarajućim izvornim napajanjem (amperi, napon, frekvencija)
- Proizvodi s neodgovarajućim smjesom goriva (gorivo, ulje, omjer ulja)
- oštećenja uzrokovana vanjskim elementima (voda, kemikalije, fizički uvjeti, udarci) ili stranim tvarima
- normalno trošenje rezervnih dijelova
- neodgovarajuću upotrebu, preopterećenje Proizvoda
- upotrebu neodobrenih dodatka ili dijelova
- dodatke za alat koji su kupljeni s alatom ili zasebno. To obuhvaća, između ostalog, nastavke za odvijanje, nastavke za bušilicu, abrazivne diske i ploče, brusni papir i oštrice te lateralne vodilice
- komponente (dijelove i dodatke) koje su podložne normalnom trošenju, uključujući, između ostalog, komplete za servisiranje i održavanje, ugljene čelike, ležaljke, svezne glave, SDS nastavak za svrdlo ili prihvat, kabel, dodatnu ručku, torbu za prenošenje, brusni papir, torbu za zaštitu od prašine, cijevi ispuha, podloške od fide, iglice i opruge udarnog ključa, gumbice za otpuštanje, pogonske mame, spojku, oštrice trimera za živicu ili kosilice, vajske, sjajni galva, zupce, igle za spojnu vodu, ventilatore puhalica, cijevi za ispuhivanje i posavljane, vakuumske vrećice i trake, vodilice, lance pile, crijeva, priključne elemente, mlaznice za raspršivanje, kočnice, štapove za raspršivanje, unutarnje kolote, varjanske kaleme, fiksne, svječice, filtre za zrak i gorivo, oštrice za usmjavanje itd.

4. U slučaju servisiranja u sklopu Jamstva Proizvod je potrebno bez odgode odmah nakupiti ili prepoznati oštećenja u izradi ili materijalu postojali ili pokazati ovlaštenom servisnom partneru za RYOBI navedenom na sljedećem web-mjestu: <https://www.ryobitools.eu>. Potrošači mogu usluge u sklopu Jamstva ostvariti kod servisnog partnera za RYOBI

- a. kontaktiranjem prodavača kod kojeg su kupili proizvod ili
 - b. registracijom putem servisne platforme dostupne na komercijalnom web-mjestu robne marke RYOBI (<https://www.ryobitools.eu>); dostupnost postupaka može se razlikovati ovisno o državi.
- Priklonom slanja Proizvoda ovlaštenom servisnom partneru za RYOBI, proizvod je potrebno sigurno zapakirati bez štetnih tvari (za pojednolike pogledajte sigurnosne upute na web-mjestu <https://www.ryobitools.eu>), označiti adresom poslijetelja i poslati uz kratak opis oštećenja. Imajte na umu da zbog lokalnih praksi u nekim državama naknadu za dostavu ili poštarinu mora platiti pošiljatelj. Obratite se lokalnom ovlaštenom servisnom centru robne marke RYOBI da biste provjerili odnose li se takvi troškovi i na vas.

5. Proizvod za koji Potrošač tvrdi da je oštećen po primniku će biti pregledan. U slučaju potvrde oštećenja, usluge navedene u sklopu Jamstva po nahođenju tvrtke TTI bit će pružene kako bi se oštećeni dijelovi proizvoda popravili ili se zamijenili neispravnim proizvodima. Ako tvrtka TTI odbije popraviti oštećenje ili ako je prema sudu tvrtke TTI popravak bio neučespavan, pružit će se istovrijedna zamjena. Zamijenjeni Proizvodi ili dijelovi postaju vlasništvo tvrtke TTI. Svi popravci u sklopu Jamstva provode se besplatno. Popravci/zamjene koje provodi TTI ne označavaju produljenje ili novi početak valjanosti Jamstva. Zamijenjeni rezervni dijelovi podložni su prethodno danim Jamstvima, a razdoblje Jamstva ističe će zajedno s Jamstvom koje je originalno dato za cijeli proizvod.

6. Jamstva robne marke RYOBI daje tvrtka Techtronic Industries GmbH, Max-Eyth-Str.10, 71364 Winnenden, Njemačka, i to samo Potrošačima koji su izvorno kupili Proizvod. Jamstvo nije moguće prenijeti ili dodijeliti nekome drugome.

7. Jamstva su valjana u Europskom gospodarskom području (EGP-U), Švicarskoj i Ujedinjenoj Kraljevini. Ako se nalazite izvan tih područja, obratite se prodavaču gdje je proizvod kupljen da biste saznali primjenjive li se neko drugo dobrovoljno jamstvo.

SL GARANCIJSKI POGOJI ZA IZDELKE RYOBI

Poleg katerih kol zakonskih pravic, ki izhajajo iz nakupa izdelka in brez poseganja v zakonske pravice, ki veljajo neodvisno in brezplačno, velja za vsa nova električna orodja in/ali vrtna orodja znamke RYOBI, ki so navedena na naši spletni strani, razen dodatne opreme za orodja, sistemov za shranjevanje orodij, za nadomestne dele, kol je podrobneje opisano v nadaljevanju ("izdelek"), prostovoljna garancija družbe Techtronic Industries GmbH ("TTI") v skladu s spodaj navedenimi pogoji ("garancija").

Garancija velja samo za kupca, ki je izdelek kupil kot končni uporabnik za uporabo v zasebne namene ("potrošnik"). Trgovci, podjetja za izposjelo in ponudniki oporabni so izrecno izključeni iz teh splošnih pogojev garancije. Za ponikle uporabnike lahko za nekatere izdelke velja drugačna vrsta prostovoljne garancije, če to izrecno navedemo na spletnem mestu www.ryobitools.eu. Uveljavljanje te prostovoljne garancije ne omejuje zakonskih pravic potrošnika v primeru okvare.

1. Standardna garancija ("standardna garancija") velja 24 mesecev ("standardna garancijska doba") in začne veljati na dan nakupa izdelka, pod pogojem, da je izdelek kupljen samo za zasebno uporabo. Da bi bila standardna garancija veljavna in izvršljiva, mora biti ta datum dokumentiran na račun ali drugem dokazilu o nakupu. Ta standardna garancija velja tudi za nove izdelke.

2. Potrošniki v nekaterih državah lahko podajo štandardno garancijo za nekatere izdelke po obdobju veljavnosti standardne garancije, tako da izdelek registrirajo na spletnem mestu www.ryobitools.eu. Uporabnost izdelkov do podajanja garancije ("podajanja garancija") je navedena na embalaži izdelka, na spletnem mestu www.ryobitools.eu, in/ali je navedena v dokumentaciji ustreznega izdelka na spletnem mestu [https://www.ryobitools.eu](http://www.ryobitools.eu). Za izboljšanje podajanja garancije morajo potrošniki svoje izdelke registrirati prek spleta v 30 kolesarskih dneh od datuma nakupa. Vsi potrošniški osebni podatki bodo obdelani v skladu z izjavo o zasebnosti, ki je na voljo na tem naslovu: <https://uk.ryobitools.eu/footer/links/privacy-policy/>. Za dokaz o podajanju garancije služijo potrdilo o registraciji, poslano po elektronski pošti, in originalni račun, na katerem je naveden datum nakupa.

3. Standardna in podajanja garancija ("garanciji") sta omejeni na popravilo in/ali zamenjavo pokvarjenega izdelka po presoji družbe TTI, da sta ugotovljena napaka v izdelavi ali materialu ob dnevu nakupa. Dodatni stroški ali nadomestila izgub ni mogoče zahtevati. Garancije poleg tega ne veljajo tudi v naslednjih primerih:

- Poškodba, ki jih je potrošnik povzročil nenamerno, namerno ali iz malomarnosti
- Kakršna koli poškodba izdelka, ki je posledica nepravilnega ravnanja ali pomanjkljivega vzdrževanja
- Vsak izdelek, ki je bil spremenjen ali predelan
- Vsak izdelek, pri katerem so bile prvotne identifikacijske oznake (blagovna znamka, serijska številka) pokrokovane, spremenjene ali odstranjene
- Kakršne koli poškodbe zaradi neupoštevanja navodil za uporabo
- Izdelki, za katere je veljala oznaka CE/UKCA
- Vse izdelke, ki jih je potrošnik popravil neupoštevanjem servisni center, ali če tega predhodno ni obdela družba TTI
- Kateri koli izdelek, priklopljen na neustrezno električno napajanje (amperi, napetost, frekvenca)
- Kateri koli izdelek, uporabljen za neprimerno mešanico goriva (gorivo, olje, razmerje olja)
- Kakršne koli poškodbe zaradi zunanjih vplivov (voda, kemikalije, fizični vplivi, šoki) ali tuji
- Normalna obraba nadomestnih delov
- Neustrezna uporaba, predremenitev izdelkov
- Uporaba neodobrene dodatne opreme ali delov
- Dodatna oprema za električno orodje, priložena orodju ali dokupljena ločeno. Take izključitve med drugim vključujejo tudi vijčne nastavke, svedre, brusne plošče, brusni papir in rezila, stransko vodilo
- Sestavni deli (deli in dodatna oprema), podvirjeni normalni obrabi, vključno z, vendar ne omejeno na komplekte za servisiranje in vzdrževanje, krtačke, ležaje, vpenjaljo, čeljusti in svedre SDS, napajalnice kabel, pomožni ročaj, transportno torbico, brusno ploščo, vrečka za prah, izhodno cev za prah, področje iz klobučevine, zatilci in vzmeti udarnega vijavnika, udarne glave, pogonski jermeni, sklopka, rezila obročevalnikov žve meje ali kosilnic, jermeni, platenica, zobci, priklonke kljuse, ventilatorji puhal, cevi puhal in sesalnikov, rezila sesalnika in travniki, meče, verige žag, cevi, priključki, razpršilne šobe, kolesa, razpršilne ročke, notranji koloti, zunanji koloti, rezalne nitke, vijčalne svečke, zračni filtri, plinski filtri, rezila za mulčenje itd.

4. Za servis v okviru garancije je treba izdelek poslati ali predložiti pooblaščenemu servisnemu partnerju RYOBI, navedenemu na spletni strani <http://www.ryobitools.eu> brez nepotrebne odlašanja takoj po pojavu ali ugotovitvi napake v izdelavi ali materialu. Potrošniki so v okviru garancije upravičeni do servisnih storitev servisnih partnerjev podjetja RYOBI na naslednje načine:

- a. tako, da se obrnejo na prodajalca, pri katerem je bil opravljen nakup; ali
- b. z registracijo prek servisne platforme, ki je na voljo na spletni strani RYOBI <https://www.ryobitools.eu/>. Postopek je odvisen od posamezne države.

Izdelek morate pooblaščenemu servisnemu partnerju podjetja RYOBI poslati vamo zapakirane brez nevarne vsebine (poдробnosti si ogledite v varnostnih navodilih na spletnem mestu <http://www.ryobitools.eu>). Navesti morate tudi svoj naslov in priložiti kratak opis napake. V nekaterih državah morate pošiljatelj v skladu z lokalno prakso plačati stroške dostave ali poštnino. O tovrstnih stroških se posvetujte s predstavnikom lokalnega pooblaščenega servisnega centra podjetja RYOBI.

5. Izdelek, za katerega uporabnik trdi, da je pokvarjen, bo po prejemu pregledan. Ko je napaka potrjena, bo v okviru garancije opravljen servisni posej, pri katerem bodo pokvarjeni deli izdelkov po presoji družbe TTI popravljeni ali zamenjani. Če TTI zavrne popravilo napake ali presodi, da popravilo ni bilo uspešno opravljeno, dobavi enakovredne nadomestke. Zamenjani izdelki ali deli postanejo last družbe TTI. Vsa popravila/nadomestila v okviru predhodno navedenih garancijskih pogojev so brezplačni. Popravila/zamenjave, ki jih opravljamo, ne povzročajo podajanja ali novega začetka veljavnosti garancije. Zamenjani nadomestki deli so predmet prvotno podane garancije v okviru garancijske dobe, ki je izteče ob datum, prvotno navedenem za celoten izdelek.

6. Garancija RYOBI družba Techtronic Industries GmbH, Max-Eyth-Str. 10, 71364 Winnenden, Nemčija podeljuje samo prvotnemu kupcu izdelka, in jih ni mogoče prenesti na druge ali jim jih dodeliti.

7. Garancije veljajo v evropskem gospodarskem prostoru (EGS), Švici in Združenem kraljestvu. Če ne živite v teh območjih, se obrnite na prodajalca, pri katerem ste izdelek kupili, in se pozanimajte o morebitnih drugih veljavnih prostovoljnih garancijah.

SK PODMIENKI UPLOTNOVANJA ZÁRUKY RYOBI

Okrem zakónnych práv vyplývajúcich z nákupu výrobku a bez toho, aby boli doknulé zákonné práva, ktoré sa uplatňujú nezávisle a bezplatne, na každé nové elektrické náradie značky RYOBI a záhradné náradie uvedené na našej webovej stránke, okrem príslušenstva na náradie, systémov na ukladanie nástrojov v náhradných dieloch, ako je ďalej uvedené v časti („Výrobok“), sa vzťahuje dobrovoľná záruka vydaná spoločnosťou Techtronic Industries GmbH (ďalej len „TTI“) za podmienok uvedených nižšie (ďalej len „záruka“).

Záruka sa vzťahuje len na nákupcov, ktorí nakúpili výrobky ako koncoví užívateľia v ich postavení spotrebiteľa (ďalej len „spotrebiteľ“). Maloobchodníci, požívateľi, ako aj profesionálni koncoví užívateľia sú výslovne vylúčení z týchto všeobecných obchodných podmienok záruky. Pre profesionálnych koncových používateľov sa môže na určité výrobky uplatňovať iný druh dobrovoľnej záruky, ak je výslovne uvedená na internetovej stránke www.ryobitools.eu. Uplatnenie tejto dobrovoľnej záruky neobmedzuje zákonné právne nároky spotrebiteľa v prípade chyby.

1. Za predpoklad, že výrobok je zakúpený len na súkromné použitie, má štandardná záruka (ďalej len „štandardná záruka“) lehotu 24 mesiacov (ďalej len „štandardná záručná lehota“) a začína plynúť dňom zakúpenia výrobku. Tento dátum musí byť zdokumentovaný faktúrou alebo iným dokladom o kúpe, aby bola štandardná záruka plná a vymáhateľná. Táto štandardná záruka sa vzťahuje len na nové výrobky.

2. Spotrebiteľia v určitých krajinách môžu po splnení podmienok štandardnej záruky možnosť predĺžiť štandardnú záruku na výrobky, ktoré spĺňajú podmienky oprávnenosti, registráciu na webovej stránke www.ryobitools.eu. Oprávnenosť výrobkov na rozšírenú záruku (ďalej len „rozšírená záruka“) je uvedená na obale výrobku, na webovej stránke www.ryobitools.eu alebo v príslušnej dokumentácii k výrobku na stránke <http://www.ryobitools.eu>. Aby spotrebiteľia mohli využívať výhody rozšírenej záruky, sú povinní zaregistrovať svoje výrobky online do 30 kalendárnych dní od dátumu nákupu, čím získajú nárok využívať túto rozšírenú záruku. Všetky osobné údaje spotrebiteľa budú spracované v súlade s vyhlásením o ochrane osobných údajov, ktoré nájdete tu <https://uk.ryobitools.eu/footer/links/privacy-policy/>. Potvrdenie o registrácii zaslané e-mailom a pôvodná faktúra s dátumom nákupu budú slúžiť ako dôkaz o rozšírenej záruke.

3. Štandardná záruka a rozšírená záruka (ďalej len „záruky“) sú obmedzené na opravu alebo výmenu chybného výrobku podľa určenia spoločnosti TTI za predpoklad, že chyba spracovania alebo materiálu existovala k dátumu nákupu. Žiadne ďalšie náklady alebo straty si nemožno nárokovat. Okrem toho sa záruky nevzťahujú na:

- akékoľvek škody spôsobené náhodou, úmyselnou chybou z neobanlivosti zo strany spotrebiteľa
- akékoľvek poškodenie výrobku, ktoré je výsledkom nesprávneho zaobchádzania alebo nedostatocnej údržby
- výrobky, ktoré boli zmenené alebo upravené
- výrobky, v ktorom boli pôvodné označenia (ochranná známka, sériové číslo) zničené, zmenené alebo odstránené
- akékoľvek poškodenie spôsobené nedodržiavaním návodu na obsluhu
- výrobky, na ktoré sa nevzťahuje označenie CE/UKCA
- výrobky, na ktorom došlo k pokusu o opravu zo strany neautorizovaného servisného strediska alebo bez predchádzajúceho povolenia TTI
- výrobky pripojený k nesprávnejmu zdroju napájania (ampéry, napätie, frekvencia)
- výrobky používaný s nevhodnou palivovou zmesou (palivo, olej, pomer oleja)
- akékoľvek poškodenie spôsobené vonkajšími vplyvmi (voda, chemikálie, fyzikálne, nárazy) alebo cudzími látkami
- bežné opotrebovanie náhradných dielov
- nevhodné použitie, pretáženie výrobkov
- používanie neschráneného príslušenstva alebo dielov
- príslušenstvo elektrického náradia dodané s náradím alebo zakúpené samostatne. Takéto vylúčenia zahŕňajú okrem iného hroty skrutkovačov, vrtačky, abrazívne kolieska, brusny papier a nože, komponenty bočných
- vodiacich systémov (diely a príslušenstvo), ktoré podliehajú normálnemu opotrebovaniu, okrem iného servisné a údržbové úpravy, uhlikové krdly, ložiská, skrutkovačové, nastavové alebo uchytávacie systémy vrátane SDS, napájacie káble, pomocné držadlá, preparatívne kufletry, brániere, tariere, vrecká na prach, trubice na odvádzanie prachu, plstené podložky, kufletry a pružiny rázových úťahovačov, diaľkové ovládanie na prídavčenie cievk, hnače remene, spojky, nože vyžínajúce alebo kosáček na trávu, káblové zväzky, plynové lanky, hroty, ťažné kolkly, ventilátory fúkačov, trubice fúkačov a vysávačov, vrecká a popruhy vysávačov, vodiace tyče, plové řadice, hadice, spojkové armatúry, rozprašovače vody, kolesá, rozprašovače tyče, voniace tyče, vonkajšie cievy, rezacie lišty, zapalovače sviečky, vzduchové filtre, plynové filtry, mulčovačie nože, atď.

4. Na účely záručného servisu musia byť výrobky po vzniknutí alebo rozpoznaní chyby spracovania alebo materiálu bez zbytočného odkladu odoslané predložiac autorizovanému servisnému partnerovi RYOBI uvedenému na webovej stránke <http://www.ryobitools.eu>. Spotrebiteľia môžu získať službu v rámci záruk od servisného partnera spoločnosti RYOBI

- a. kontaktovaním predajcu, u ktorého bol nákup uskutočnený; alebo
- b. registráciou prostredníctvom platformy služieb dostupnej na komerčnej webovej stránke spoločnosti RYOBI <http://www.ryobitools.eu>. Dostupnosť procesu sa môže v jednotlivých krajinách líšiť.

Pri odoslaní výrobku autorizovanému servisnému partnerovi RYOBI musí byť výrobok bezpečne zabalený bez nebezpečného obsahu (podrobnosti nájdete v bezpečnostných pokynoch na webovej stránke <http://www.ryobitools.eu>), označený adresou odosielateľa a doplnený krátkym opisom chyby. Upozorňujeme, že v niektorých krajinách bude musieť dodávateľ zaplatiť poplatky za doručenie alebo poštovné v súlade s miestnymi zariadenými postupmi. Ak si chcete overiť, či sa takéto poplatky uplatňujú, obráťte sa na miestne autorizované servisné stredisko spoločnosti RYOBI.

5. Keď dostanete výrobok, o ktorom spotrebiteľ tvrdí, že je chybný, skontrolujte ho. Ak sa chyba potvrdí, budú poskytnuté služby v rámci záruky, t. j. o opravu chybných dielov výrobkov alebo ich výmenu za bezchybné diely podľa určenia spoločnosti TTI. Ak spoločnosť TTI odmietne opraviť chybu alebo ak podľa rozhodnutia spoločnosti TTI oprava zlyhá, bude dodaná rovnocenná náhrada. Vymenené výrobky alebo diely sa stanú majetkom spoločnosti TTI. Všetky opravy alebo výmeny v rámci vyššie uvedených záruk sú bezplatné. Opravy alebo výmeny vykonávané spoločnosťou TTI nepredstavujú rozšírenie alebo nový začiatok záruk. Vymenené náhradné diely podliehajú rovnakej používateľskej záručnej a záručnej lehote sa skúci súčasne so záručnou lehotou, ktorá bola pôvodne poskytnutá pre celý výrobok.

6. Záruky RYOBI poskytuje spoločnosť Techtronic Industries GmbH, Max-Eyth-Str. 10, 71364 Winnenden, Nemčiko, iba spotrebiteľovi, ktorý pôvodne zakúpil výrobok a nesmú byť pripísané inému spotrebiteľovi ani na neho prevedené.

7. Záruky sú plátne v rámci Európskeho hospodárskeho priestoru (EHP), Švajčiarska a Spojeného kráľovstva. Môže byť možné kontaktovať predajcu, u ktorého sa uskutočnil nákup, a zistiť, či sa uplatňuje na dobrovoľnú záruku.

ВГ УСЛОВИЯ ЗА ПРИЛАГАНЕ НА ГАРАНЦИЯ НА RYOBI

В допълнение към всички законни права, промитичащи до покупката на продукта, и без да се засягат законните права, които се прилагат независимо и безплатно, всички нови електронни инструменти и/или градивни инструменти с марка RYOBI, посочени на нашия уеб сайт, с изключение на асесори за инструменти, системи за съхранение на инструменти и резервни части, както е описано по-долу („Продукт“), са обхванати от доброволна гаранция, издадена от Technic Industries GmbH („ТТИ“) при условията, посочени по-долу („Гаранция“).

Гаранцията е приложима само за купувач(и), който(ито) закупува(т) продуктите като край(ни) потребител(и) в качеството си на потребител(и) („Потребител“). Търговците на дребно, фирмите за отдаване под наем, както и професионалните крайни потребители са изрично изключени от тези общи условия на Гаранцията. За професионалните крайни потребители може да е приложим друг вид доброволна гаранция за определени(и) продукт(и), ако това е изрично посочено на уеб сайта www.ryobitools.eu. Познаването на тази доброволна Гаранция не ограничава законните права на Потребителя в случай на дефект.

1. Стандартната гаранция („Стандартна гаранция“), при условие че Продуктът е закупен само за лична употреба, е със срок от 24 месеца („Стандартен гаранционен период“) и започва да тече от датата на закупуване на продукта. Тази дата трябва да бъде документирвана с фактура или друго доказателство за покупка, за да бъде Стандартната гаранция валидна и приложима. Тази Стандартна гаранция се отнася и само за нови(и) Продукт(и).

2. Потребителите в някои държави може да имат възможност да удължат срока на Стандартната гаранция за Продукти, отговарящи на условията, след изтичането на срока на „Стандартната гаранция, като се регистрират на уеб сайта www.ryobitools.eu. Допустимостта на Продуктите за разширена гаранция („Разширена гаранция“) е посочена на описанието на Продукта, на уеб сайта www.ryobitools.eu или/или се съдържа в документацията на съответния Продукт на адрес <https://www.ryobitools.eu/>. За да се възползват от Разширената гаранция, Потребителят трябва да регистрира своите(я) Продукт(и) онлайн в рамките на 30 календарни дни от датата на покупката, за да се възползват от тази Разширена гаранция. Целта лична информация на Потребителя се обработва в съответствие с декларацията за поверителност, която можете да намерите тук: <https://uk.ryobitools.eu/footer-links/privacy-policy/>. Размислата за потвърждение на регистрацията, която се изпраща по имейл, и оригиналната фактура, в която е посочена датата на покупката, ще спомогнат като доказателство за Разширената гаранция.

3. Стандартната гаранция и Разширената гаранция („Гаранция“) са ограничени до ремонт и/или замяна на дефектния Продукт по преценка на ТТИ, при условие че дефектът в изработката или материала е съществувал към датата на покупката. Не могат да се претендират допълнителни разходи или загуби. Освен това Гаранцията не се прилагат за:

- всяка щета, причинена случайно, умислено или по небрежност от Потребителя
- всяка повреда на Продукта, която е резултат от неправилно третиране или липса на поддръжка
- всеки Продукт, който е бил променен или модифициран
- всеки Продукт, чиито оригинални идентификационни маркировки (търговска марка, сериен номер) са били повредени, променени или премахнати
- всякакви щети, причинени от неспазване на ръководството за експлоатация
- Продукти, които не подлежат на маркировка CE/UKCA
- всеки Продукт, за който е бил направен опит да бъде ремонтиран от неоторизиран сервизен център или без предварително разрешение от ТТИ
- всеки Продукт, свързан с неподходящо електрохранение (ампер, напрежение, честота)
- всеки продукт, използван с неподходяща горивна смес (гориво, масло, съотношение на маслото)
- всякакви повреди, причинени от външни въздействия (вода, химикали, физични въздействия, удари) или чужди вещества
- нормално износване на резервни части
- неподходяща употреба, претоварване на Продукт(и)те
- използване на неодобрен асесори или части
- асесори за електронни инструменти, предоставени с инструмента или закупени отделно. Такива изключения включват, но не се ограничават до, надръжници за винтоверти, средета, абразивни дискове, шкурка и остриета, странични направляващи
- компоненти (части и асесори), които подлежат на нормално износване, включително, но не само, комплекти за обслужване и поддръжка, въглеродни четки, латери, патронки, приставки или примки за SDS средета, захарнава кабел, помощна дръжка, транспортен куфар, шифровъзна плоча, торба за прах, торба за отвеждане на прах, филцови щриби, щифтове и пружини за удари гравитации, удари бутони, задвижващи ремци, съединители, остриета на харкостери или косачки за трева, колаи, кабел за газ, нарязване ножове, щифтове за теглич, вентилатори, торби за издухване и засмукване, торба за засмукване и ремци, водичи за чисти, вериги за триони, маркучи, конектори фитинги, разпръскващи дъски, колепа, пръскачки, вътрешни макиери, външни макиери, линии за рязане, запалителни свещи, въздушни филтри, газови филтри, лопати за мулчиране и още.

4. За гаранционно обслужване Продукт(и)те трябва да бъде(ат) изпратен(и) или представен(и) без неправомерно свързване след появата или признаването на дефекта в изработката или материала на оторизиран сервизен партньор на RYOBI, посочен на следния уеб сайт <https://www.ryobitools.eu/>. Потребителите могат да получат услугите по Гаранцията от сервизен партньор на RYOBI, като:

- a. се свържат с търговеца на дребно, където е направена покупката; или
- b. с регистрация чрез платформата за услуги, достъпна на търговската уеб страница на RYOBI <https://www.ryobitools.eu/>, като достъпността на процеса може да варира в различните държави.

При изпращане на Продукт до оторизиран сервизен партньор на RYOBI Продуктът трябва да бъде безопасно опакован без опасност съдържанието (за подробности, моля, вижте инструкциите за безопасност на уеб сайта <https://www.ryobitools.eu/>), маркиран с адреса на изпращача и придружен от кратко описание на дефекта. Моля, имайте предвид, че в някои държави таксите за доставка или пощенските разходи трябва да бъдат заплатени от изпращача в съответствие с месната практика. Моля, консултирайте се с местния оторизиран сервизен център на RYOBI, за да потвърдите дали се прилагат такива такси.

5. При получаване на Продукта, за който Потребителът твърди, че е дефектен, той ще бъде проверен. Когато дефектът е потвърден, услугите по Гаранцията ще се предоставят чрез ремонт на дефектните части на продуктите или замяна им с изпращача части по преценка на ТТИ. Ако ТТИ отплати за отстраняване на дефекта или ако, по преценка на ТТИ, ремонтът е неуспешен, на потребителя ще бъде доставен равностойен продукт за замяна. Заменяемите(и) Продукт(и) или част(и) ще станат(а) собственост на ТТИ. Всяка поправка/замяна съгласно гаранционните Гаранции е безплатна. Ремонтът/замяната, извършени от ТТИ, не представляват удължаване или ново начало на гаранцията. Заменяемите резервни части са предмет на ръководното предоставяване Т Гаранции, която срокът на Гаранцията приключва със срока на Гаранцията, която ръководно е била предоставена за цялостния продукт.

6. Гаранцията на RYOBI се предоставя от Technic Industries GmbH, Max-Eyth-Str.10, 71364 Winnenden, Германия, само на Потребителя, който ръководно е закупил Продукта, и не могат да бъдат прехвърляни или протестирани.

7. Гаранцията са валидни в Европейското икономическо пространство (ЕИП), Швейцария и Обединеното кралство. Извън тези области, моля, свържете се с търговеца на дребно, където е направена покупката, за да разберете дали се прилага друга доброволна гаранция.

UK УМОВИ НАДАВАННЯ ГАРАНТИИ RYOBI

Разом с буд-ними законними правими, що виникують у зв'язку з придбанням товару, і без обмеження законних прав, застосовуваних незалежно і безплатно, на всі зазначені на нашому вебсайті нові електронні інструменти та/або садові інструменти марки RYOBI, за винятком допоміжних пристроїв, системи зберігання інструментів і запасних частин, як зазначено нижче («Товар»), поширюється добровільна гарантія, надана компанією Technic Industries GmbH («ТТИ»), відповідно до викладених нижче умов і положень («Гарантія»).

Гарантія поширюється лише на покупця(ів), які купують продукцію в статусі кінцевого користувача — споживача («Споживач»). Роздрібні торговці, прокати компаній, а також кінцеві користувачі для професійного застосування в якій формі включаться з цих загальних положень та умов Гарантії. До певних(их) товару(ів) для кінцевих користувачів для професійного застосування може застосовуватися інший тип добровільної гарантії, якщо це в якій формі зазначено на вебсайті www.ryobitools.eu. Застосування цієї добровільної гарантії не обмежується законами права Сполученого та раз найкращою практикою.

1. За умови, що Товар придбано виключно для індивідуального використання, стандартна гарантія («Стандартна гарантія») має термін дії 24 місяці («Стандартний гарантійний термін») і починається з дати придбання товару. Щоб Стандартна гарантія набула чинності та мала юридичну силу, ця дата повинна бути підтверджена račununо-fактурою або іншим документом, що підтверджує факт придбання. Також ця Стандартна гарантія поширюється лише на новий(и) Виріб(и).

2. В деяких країнах Споживачі можуть мати можливість продовжити Стандартну гарантію на відповідні Товари після закінчення терміну дії Стандартної гарантії, зареєструвавшись на вебсайті www.ryobitools.eu. Інструкції про відповідність Товару розширеній гарантії («Розширена гарантія») вказана на пакуванні Товару, на вебсайті www.ryobitools.eu та/або наведені в відповідній документації до Товару за адресою <https://www.ryobitools.eu/>. Щоб скористатися Розширеною гарантією, Споживачі мають зареєструвати свій(іс) Товар(и) онлайн протягом 30 календарних днів з дати покупки. Всі персональні дані Споживача будуть обробляються відповідно до закону про конфіденційність, який можна знайти за посиланням <https://uk.ryobitools.eu/footer-links/privacy-policy/>. Підтвердження Розширеної гарантії є повідомленням про рестрацію, надане нами електронною поштою, та оригінал račununо-fактури із зазначенням дати покупки.

3. Стандартна гарантія та Розширена гарантія («Гарантії») обмежуються ремонтом та/або заміною дефектного Товару на розсуд компанії ТТИ за умови, що дефект виявлений або матеріалу існував на дату придбання. Буд-ні моменти додаткові витрати або збитки не підлягають відшкодуванню. Також Гарантії не поширюються на:

- буд-ню щету, заподіяну Споживачем випадково, навісимо або з небрежності
- буд-ню пошкодження Товару, що виникли в результаті ненавального поведіння або відсутності технічного обслуговування
- буд-ню який Товар, який був змінений або модифікований
- буд-ню який Товар, на якому пошкоджено, змінено або виділено оригінальне ідентифікаційне маркування (торговельна марка, серійний номер)
- буд-ню яке пошкодження, спричинене недотриманням інструкції експлуатації
- Товари, які не підлядають під дію маркування CE/UKCA
- буд-ню який Товар, який намагалися відремонтувати в неуповноваженому сервісному центрі або без попереднього узгодження з ТТИ
- буд-ню який Товар, підключений до невідповідного джерела електроживлення (сила струму, напруга, частота)
- буд-ню який Товар, який використовувався з невідповідною паливною сумішшю (паливо, олива, співвідношення палива та оливи)
- буд-ню яке пошкодження, спричинене зовнішніми факторами (вода, хімічними речовинами, фізичними силами, механічними ударами) або сторонніми речовинами
- нормальний знос запасних частин
- неправильне використання, перенавантаження Товару(ів)
- використання незатверджених допоміжних пристроїв або деталей
- допоміжні пристрої до електронних інструментів, наданого в комплекті з інструментом або придбаного окремо. Такі включення включають, але не обмежуються, таким: бити для вибиток, свердла, шліфувальні диски, надріжничі пилоти і полотна, бійні напильні
- комплектуючі (деталі та допоміжні пристрої), які підпадають нормальному зносу, включночю, але не обмежуються, таким: комплекти для обслуговування та ремонту, вузькі щити, підшипники, патронки, кріплення та держки для свердел SDS, шнур живлення, допоміжні ручки, транспортні чохли та футляри, шліфувальне паливо, пилові шланги, шланги для вдування пилу, повстяні шабії, штифти та пружини для галтовалиття, натиски голівки, првідні ремні, зарядення, пилу і цукорів або газосапожар, пдвісна система, трасові дротики, зубці, зніми штифти, вентилятори, вентилятори та вакуумні трубки, вакуумні міштя та пакети, надріжничі шми, лифти ланцюжки, шланги, арматура для з'єднання, розповсюджені форсуни, колевці, пультверстати, внутрішні котушки, зовнішні котушки, ріжучі диски, свичі запалювання, повітряні фільтри, паливні фільтри, лопати для мульчування тощо.

4. Для гарантійного обслуговування Товару(ів) повинні бути відправлені або передані без неправовадної затримки після виявлення або виявлення дефекту виготовлення або матеріалу уповноваженому сервісному партнеру RYOBI, перелік яких наведено на вебсайті www.ryobitools.eu/. Споживачі можуть отримати передбачені Гарантією послуги від сервісного партнера RYOBI таким чином:

- a. звернувшись до роздрібного продавця, де була здійснена покупка; або
- b. зареєструвавшись через сервісну платформу, доступну на офіційному вебсайті RYOBI <https://www.ryobitools.eu/>. Доступність такої процедури може відрізнятися в залежності від країни.

При відправленні Товару уповноваженому сервісному партнеру RYOBI він повинен бути надійно упакований та не мати небезпечного впливу (докладне див. інструкції з техніки безпеки на сайті <https://www.ryobitools.eu/>), з позначеною адресою відправника та стилісним описом дефекту. Звернуть увагу, що в деяких країнах вартість доставки або поштової витрат має бути сплачена відповідно відносно до прийнятої місцевої практики. Щоб дізнатися, чи передбачена така оплата, зверніться до місцевого уповноваженого сервісного центру RYOBI.

5. Товар, про який Споживач заявляє як про дефектний, буде оглянутий після отримання. Якщо дефект буде підтверджено, передбачені Гарантією послуги будуть надані швидкою ремонтною дефектними частини виробу або заміни їх на дефектні частини на розсуд ТТИ. Якщо ТТИ відмовляється відремонтувати дефект або якщо, на розсуд ТТИ, ремонт виявляється неможливим, буде надана рівноцінна заміна. Замінені(и) Продукт(и) або деталі(ї) стануть власністю ТТИ. Буд-ній ремонт/замяна відповідно до вищезазначених гарантії є безплатним. Ремонт(и)змяна(и), виконані компанією ТТИ, не продовжують і не поновлюють термін дії Гарантії. На замінені запасні частини поширюється дія періоду нададих Гарантії, а термін дії Гарантії закінчується разом із терміном дії Гарантії, яка була періодично надава на товар в цілому.

6. Гарантія RYOBI надаються компанією Technic Industries GmbH, Max-Eyth-Str.10, 71364 Winnenden, Германия (Вінненден, Німеччина), тільки Споживачеві, який придбав Товар, і не можуть бути перенесені або переступлені.

7. Гарантії діють в Європейській економічній зоні (ЄЕЗ), Швейцарії та Сполученому Королівстві. Щоб дізнатися, чи це буд-ня яка інша добровільна гарантія за межами цих територій, зверніться до продавця, де було придбано товар.



EN EC DECLARATION OF CONFORMITY

Cordless hedge trimmer

Brand: RYOBI | Manufacturer¹ | Model number² | Serial number range³

We declare as the manufacturer under our sole responsibility that the product mentioned below fulfills all the relevant provisions of the following European Directives, European Regulations and harmonised standards⁴

Measured sound power level 93.5 dB(A)
Guaranteed sound power level 98 dB(A)
Conformity assessment method to Annex V Directive 2000/14/EC amended by 2005/88/EC. Authorised to compile the technical file:⁵

FR DÉCLARATION CE DE CONFORMITÉ

Taille-haies sans fil

Marque: RYOBI | Fabricant¹ | Numéro de modèle² | Étendue des numéros de série³

Nous déclarons sous notre entière responsabilité que le produit mentionné ci-dessous remplit toutes les dispositions pertinentes des directives et réglementations européennes suivantes, ainsi que des normes harmonisées ci-après⁴

Niveau de puissance sonore mesuré 93,5 dB(A)
Niveau de puissance sonore garanti 98 dB(A)
Méthode d'évaluation de conformité de l'annexe V Directive 2000/14/EC modifiée 2005/88/EC. Autorisé à rédiger le dossier technique:⁵

DE EG-KONFORMITÄTSERKLÄRUNG

Akku-Heckenschere

Marke: RYOBI | Hersteller¹ | Modellnummer² | Seriennummernbereich³

Wir erklären in alleiniger Verantwortung, dass das nachstehend erwähnte Produkt allen einschlägigen Bestimmungen der folgenden EU-Richtlinien, EU-Vorschriften und harmonisierten Normen entspricht⁴

Gemessener Schalleistungspegel 93,5 dB(A)
Garantierter Schalleistungspegel 98 dB(A)
Konformitätsbeurteilungsmethode zu Anhang V Richtlinie 2000/14/EC wie durch 2005/88/EC. Autorisiert die technische Datei zu erstellen:⁵

ES DECLARACIÓN CE DE CONFORMIDAD

Cortasete inalámbrico

Marca: RYOBI | Fabricante¹ | Número de modelo² | Intervalo del número de serie³

Declaramos, bajo nuestra exclusiva responsabilidad, que el producto mencionado a continuación cumple con todas las disposiciones relevantes de las siguientes directivas, normas armonizadas y reglamentos europeos⁴

Nivel de potencia acústica medido 93,5 dB(A)
Nivel de potencia acústica garantizado 98 dB(A)
Método de evaluación de conformidad con el anexo V Directiva 2000/14/EC modificada por la 2005/88/EC.
Autorizado para elaborar la ficha técnica:⁵

IT DICHIARAZIONE CE DI CONFORMITÀ

Tagliasepi senza cavo

Marca: RYOBI | Ditta produttrice¹ | Numero modello² | Gamma numero seriale³

Dichiariamo sotto la nostra unica responsabilità che il prodotto descritto in basso soddisfa tutte le disposizioni delle direttive europee e che sono state osservate le norme seguenti⁴

Livello di potenza acustica misurato 93,5 dB(A)
Livello di potenza sonora garantita 98 dB(A)
Metodo di valutazione sulla conformità all'allegato V Direttiva 2000/14/EC modificata con la 2005/88/EC.
Autorizzato per compilare il file tecnico:⁵

NL EG-VERKLARING VAN OVEREENSTEMMING

Snoerloze heggenchaar

Merk: RYOBI | Fabrikant¹ | Modelnummer² | Seriennummerring³

Wij verklaren naar onze eigen verantwoordelijkheid, dat het hieronder genoemde product voldoet aan alle relevante bepalingen van de volgende Europese richtlijnen, Europese verordeningen en geharmoniseerde normen⁴

Gemeten geluidsniveau 93,5 dB(A)
Gegarandeerd geluidsniveau 98 dB(A)
Evaluatiemethode conformiteit volgens bijlage V Richtlijn 2000/14/EC gewijzigd door 2005/88/EC. Afgevaardigde voor het samenstellen van de technische fiche:⁵

PT DECLARAÇÃO CE DE CONFORMIDADE

Recortador de sebes sem fios

Marca: RYOBI | Fabricante¹ | Número do modelo² | Intervalo do número de série³

Declaramos sob nossa exclusiva responsabilidade que o produto mencionado abaixo cumpre todas as disposições aplicáveis das seguintes diretivas, regulamentos e normas harmonizadas da União Europeia⁴

Nível de potência sonora medido 93,5 dB(A)
Nível de potência sonora garantido 98 dB(A)
Método de avaliação de conformidade para o anexo V Directiva 2000/14/EC alterada por 2005/88/EC.
Autorizado para compilar o ficheiro técnico:⁵

DA EF-OVERENSSTEMMELSEERKLÆRING

Akku-hækkeklipperen

Brand: RYOBI | Product¹ | Modelnumber² | Seriennummerområde³

Vi erklærer under eget ansvar, at produktet nævnt nedenfor opfylder alle de relevante forskrifter i de følgende europæiske direktiver, europæiske forordninger og harmoniserede standarder⁴

Målt støjniveau 93,5 dB(A)
Garanteret støjniveau 98 dB(A)
Overensstemmelsesvurderingsmetode til bilag V Direktiv 2000/14/EC ændret ved 2005/88/EC. Bemyndiget til at udarbejde det tekniske kartotek:⁵

SV SV-FÖRSÄKRAN ÖVERENSSTÄMMELSE

Sladdlös häcktrimmer

Marke: RYOBI | Tillverkare¹ | Modellnummer² | Seriennummerintervall³

Vi förklarar under eget ansvar att den produkt som nämns nedan uppfyller alla relevanta föreskrifter i följande europeiska direktiv, europeiska förordningar och harmoniserade standarder⁴

Uppmått ljudeffektsnivå 93,5 dB(A)
Garanterad ljudeffektsnivå 98 dB(A)
Konformitetsbedömning gjord enligt metod i Direktiv 2000/14/EC samt tilläggen i 2005/88/EC. Godkänd att sammanställa den tekniska filen:⁵

FI EY-VAATIMUSTENMUKAISUUSVAKUUTUS

Langaton pensasleikkuri

Tuotemerkki: RYOBI | Valmistaja¹ | Mallinnumero² | Sarjanumeroalue³

Vakuutamme alla mainitun tuotteen olevan seuraavien eurooppalaisten direktiivien, asetusten ja yhdenmukaistettujen standardien säännösten mukainen⁴

Mittattu ääniteho 93,5 dB(A)
Taattu ääniteho 98 dB(A)
Säännösten noudattaminen tarkastettu direktiivin 2000/14/EC liitteen V mukaisesti muunnettu direktiivillä 2005/88/EC.
Valtuutettu kokoomaan tekninen tiedosto:⁵

NO CE-SAMSVARERKLÆRING

Trådløs hekktrimmer

Merk: RYOBI | Produsent¹ | Modellnummer² | Seriennummerserie³

Vi erklærer på eget ansvar at produktet beskrevet nedenfor oppfyller alle de relevante bestemmelser i de europeiske direktiver, europeiske forskrifter og harmoniserte standarder⁴

Målt lydeffektnivå 93,5 dB(A)
Garantert lydeffektnivå 98 dB(A)
Metode for vurdering av konformitet til Tillegg V i Direktiv 2000/14/EC endret ved 2005/88/EC. Autorisert til å sette sammen den tekniske filen:⁵

RU ДЕКЛАРАЦИЯ О СООТВЕТСТВИИ СТАНДАРТАМ ЕС

Беспроводные кусторезы

Марка: RYOBI | Изготовитель¹ | Номер модели² | Диапазон заводских номеров³

Со всей ответственностью заявляем, что нижеупомянутое изделие отвечает всем соответствующим положениям следующих европейских директив, европейских регламентов, а также гармонизированных стандартов⁴

Измеренный уровень звуковой мощности 93,5 dB(A)
Гарантируемый уровень звуковой мощности 98 dB(A)
Способ оценки соответствия, приложение V к директиве 2000/14/EC с изменениями 2005/88/EC.

Лицо, ответственное за подготовку технической документации:⁵

PL DEKLARACJA ZGODNOŚCI WE

Bezprzewodowe nożyce do żywopłotów

Marka: RYOBI | Producent¹ | Numer modelu² | Zakres numerów seryjnych³

Oświadczamy na własną odpowiedzialność, że produkt opisany w sekcji „Specyfikacja” spełnia wszystkie istotne postanowienia wymienionych poniżej dyrektyw UE, przepisów europejskich oraz norm zharmonizowanych⁴

Zmierzony poziom mocy akustycznej 93,5 dB(A)
Gwarantowany poziom mocy akustycznej 98 dB(A)
Metoda ocena zgodności zgodnie z załącznikiem V Dyrektywy 2000/14/EC zmieniona przez dyrektywę 2005/88/EC.

Osoba upoważniona do sporządzenia dokumentu technicznego:⁵

CS CE PROHLÁŠENÍ O SHODĚ

Akumulátorový plotťák

Značka: RYOBI | Výrobce¹ | Číslo modelu² | Rozsah sériových čísel³

Výhradně na vlastní odpovědnost prohlašujeme, že níže uvedený výrobek splňuje všechna příslušná ustanovení evropských směrnic, evropských nařízení a harmonizovaných norem⁴

Změřená hladina akustického výkonu 93,5 dB(A)
Zaručená hladina akustického výkonu 98 dB(A)
Soulad s metodou určování pro přílohu V směrnice 2000/14/EC upravená 2005/88/EC. Pověřeni ke kompilaci technického souboru:⁵

HU EK-MEGFELELŐSÉGI NYILATKOZATA

Akkumulátoros sövényvágó

Márka: RYOBI | Gyártó¹ | Típuszám² | Sorozatszám tartomány³

Kizárólagos felelősségünk keretében nyilatkozunk, hogy az alább említett termék megfelel a következő európai irányelvek, szabályozások és harmonizált szabványok vonatkozó rendelkezéseinek⁴

Mért hangteljesítményszint..... 93,5 dB(A)

Garanált hangteljesítményszint..... 98 dB(A)

A megfelelőzési értékelési eljárás a 2000/14/EC irányelv V. függeléke szerint történt által módosított 2005/88/EC irányelv.

A műszaki dokumentáció összeállítására felhatalmazott:⁵

RO DECLARAȚIE DE CONFORMITATE CE

Foarfec de grădină fără fir

Marcă: RYOBI | Producător¹ | Număr serie² | Gamă număr serie³

Declaram pe proprie responsabilitate că produsul menționat mai jos îndeplinește toate prevederile relevante ale directivelor Uniunii Europene, ale Regulamentelor UE și standardelor armonizate⁴

Nivelul măsurat al puterii acustice..... 93,5 dB(A)

Nivel garantat al puterii acustice..... 98 dB(A)

Metoda de evaluare a conformității cu Anexa V Directiva 2000/14/EC modificată prin 2005/88/EC.

Autorizat să completeze fișa tehnică:⁵

LV EK ATBILSTĪBAS DEKLARĀCIJA

Akkumulatortur dzīvžoga šķērs

Zīmols: RYOBI | Ražotājs¹ | Modeļa numurs² | Sērijas numura intervāls³

Ar pilnu atbildību mēs deklarējam, ka tālāk norādītais produkts izpilda visas atbilstošās norādīto Eiropas direktīvu, Eiropas regulu un harmonizēto standartu prasības⁴

Izmērītās skaņas jaudas līmenis..... 93,5 dB(A)

Garanātais skaņas intensitātes līmenis..... 98 dB(A)

Atbilstības novērtēšanas metode pielikumam V Direktīvai 2000/14/EC labota 2005/88/EC. Pilnvarots sastādīt tehnisko failu:⁵

LT EB ATITIKTIES DEKLARACIJA

Akkumuliatorinė krūmapjovė

Prekės ženklas: RYOBI | Gamintojas¹ | Modelio numeris² | Serijinio numerio diapazonas³

Mes atsakingai pareiškiame, kad toliau minimas gaminytis atitinka nurodytus Europos direktyvas, Europos reglamentas ir darniuosius standartus⁴

Išmatuotas akustinis lygis..... 93,5 dB(A)

Garantuotas akustinis lygis..... 98 dB(A)

Atitikties įvertinimo metodas pagal direktyvos 2000/14/EC, V Priedą su pataisomis 2005/88/EC.

Išgiautos sudaryti techninį failą:⁵

ET EÜ VASTAVUSDEKLARATSIOON

Juhtmeta hekilõikur

Märk: RYOBI | Tootja¹ | Mudeli number² | Seerianumbri vahemik³

Kinnitame oma ainuvastutusest, et allpool nimetatud toode vastab järgmistele Euroopa direktiividele, Euroopa määrustele ja ühtlustatud standardite kõigile asjaomastele sätetele⁴

Mõõdetud helivõimsuse tase..... 93,5 dB(A)

Garanteeritud helivõimsuse tase..... 98 dB(A)

Vastavushindamine vastavalt lisale V direktiivis 2000/14/EC muudetud direktiiviga 2005/88/EC.

Tehnilise faili koostamiseks volitatud isik:⁵

HR IZJAVA O SKLADNOSTI

Akkumulatorski trimer za živicu

Márka: RYOBI | Proizvođač¹ | Broj modela² | Raspon serijskog broja³

Pod punom odgovornošću izjavljujemo da proizvod naveden u nastavku zadovoljava sve relevantne odredbe sljedećih europskih direktiva, europskih uredbi i usklađenih normi⁴

Izmerjena razina zvučne snage..... 93,5 dB(A)

Jamčena razina zvučne snage..... 98 dB(A)

Metoda procjene usklađenosti prema Dodatku V Direktive 2000/14/EC navedeno u 2005/88/EC.

Ovlašten da sastavi tehničku datoteku:⁵

SL ES-IZJAVA O SKLADNOSTI

Brezžični obrezovalnik žive meje

Znamka: RYOBI | Proizvajalec¹ | Številka modela² | Razpon serijskih števil³

Pod izključno lastno odgovornostjo izjavljamo, da spodaj navedeni izdelek izpolnjuje vse ustrezne predpise naslednjih evropskih direktiv, evropskih uredb in harmoniziranih standardov⁴

Izmerjena raven zvočne moči..... 93,5 dB(A)

Zajamčena raven zvočne moči..... 98 dB(A)

Način ugotavljanja skladnosti z aneksom V direktive 2000/14/EC ki je bila spremenjena z 2005/88/EC.

Pooblaščen oseba za sestavo tehnične dokumentacije:⁵

SK ES VYHLÁSENIE O ZHODE

Akkumulátorový strihač živého plotu

Značka: RYOBI | Výrobca¹ | Číslo modelu² | Rozsah sériových čísiel³

Na vlastnú zodpovednosť vyhlasujeme, že dole uvedený výrobok vyhovuje príslušným ustanoveniam nasledujúcich európskych smerníc, európskych nariadení a harmonizovaných noriem⁴

Nameraná úroveň hluku..... 93,5 dB(A)

Garantovaná úroveň hluku..... 98 dB(A)

Spôsob určenia zhody podľa Dodatku V Smernica 2000/14/EC doplnená o 2005/88/EC.

Oprávnená osoba na zostavenie technického súboru:⁵

BG CE - ДЕКЛАРАЦИЯ ЗА СЪОТВЕТСТВИЕ

Безжична ножица за жив път

Марка: RYOBI | Производител¹ | Номер на модела² | Обхват на серийни номера³

Декларираме на своя лична отговорност, че продуктът, посочен по-долу, отговаря на всички съответни разпоредби на директивите и регламентите на Европейския съюз и хармонизираните стандарти по-долу⁴

Измерено ниво на шум..... 93,5 dB(A)

Гарантирано ниво на шум..... 98 dB(A)

Метод за оценяване на съответствието с приложение V Директива 2000/14/EC, изменена от 2005/88/EC.

Упълномощено лице за съставяне на техническия файл:⁵

UK CERTIFICATE OF COMPLIANCE TO EUROPEAN STANDARDS

Бездротовий куцоріз

Марка: RYOBI | Виробник¹ | Номер моделі² | Діапазон серійного номеру³

Ми відповідально заявляємо, що описаний нижче пристрій відповідає всім чинним положенням директив ЄС, Європейських норм та гармонізованих стандартів⁴

Вимірний рівень звукової потужності..... 93,5 dB(A)

Гарантований рівень звукової потужності..... 98 dB(A)

Метод оцінки відповідності Annex V Directive 2000/14/EC з поправками, внесеними 2005/88/EC.

Дозвіл на складання технічного файлу:⁵

TR CE UYGUNLUK BEYANI

Kablosuz çit budama makinesi

Marka: RYOBI | Üretici¹ | Model numarası² | Seri numarası aralığı³

Ürün sorumluluğu bize ait olmak üzere, aşağıda belirtilen ürünün aşağıdaki Avrupa Direktifleri, Avrupa Mevzuatı ve uyumlaştırılmış standartların ilgili hükümlerini yerine getirdiğini beyan ederiz⁴

Öçülenen ses gücü seviyesi..... 93,5 dB(A)

Güvencelli ses gücü seviyesi..... 98 dB(A)

2005/88/AT ile değiştirilen 2000/14/AT Direktifi Ek V uyarınca uygunluk değerlendirilmesi yöntemi.

Teknik dosyayı derlemekle yetkili sorumlu:⁵

EL ΔΗΛΩΣΗ ΣΥΜΜΟΡΦΩΣΗΣ EK

Μητροντουροαίδο μπαταρίας

Μάρκα: RYOBI | Κατασκευαστής¹ | Αριθμός μοντέλου² | Εύρος σειριακών αριθμών³

Δηλώνουμε, με την ιδιότητα του κατασκευαστή και με αποκλειστικά δική μας ευθύνη, ότι το παρακάτω αναφερόμενο προϊόν πληρεί όλες τις σχετικές διατάξεις των ακόλουθων Ευρωπαϊκών Οδηγιών, Ευρωπαϊκών Κανονισμών και αναρμονισμένων προτύπων⁴

Μετρούμενη επίπεδο ισχύος ήχου..... 93,5 dB(A)

Εγγυημένο επίπεδο ισχύος ήχου..... 98 dB(A)

Μέθοδος αξιολόγησης της συμμόρφωσης προς το Παράρτημα V Οδηγίας 2000/14/ΕΚ όπως τροποποιήθηκε από την 2005/88/ΕΚ.

Εξουσιοδοτημένο άτομο για σύνταξη τεχνικού αρχείου:⁵

¹ Techntron Industries GmbH

Max-Eyth-Straße 10, 71364 Winnenden, Germany

² RY36HT60A

³ 50446201000001 - 50446201999999

⁴ 2006/42/EC, 2014/30/EU, 2000/14/EC, 2005/88/EC, 2011/65/EU, EN 62841-1:2015+A11:2022, EN 62841-4-2:2019+A1:2022+A1:2022, EN IEC 55014-1:2021, EN IEC 55014-2:2021, EN IEC 63000:2018

Todd Chipner
Senior Vice President, Quality – Asia
Winnenden, Oct. 11, 2024

⁵ Techntron Industries GmbH
Max-Eyth-Straße 10, 71364 Winnenden, Germany

GB-DECLARATION OF CONFORMITY

Manufacturer: Techtronic Industries GmbH
Max-Eyth-Straße 10, 71364 Winnenden, Germany

We declare as the manufacturer under our sole responsibility that the product mentioned below

Cordless hedge trimmer
Brand: RYOBI
Model number: RY36HT60A
Serial number range: 50446201000001 - 50446201999999

fulfills all the relevant provisions of the following Regulations: S.I. 2008/1597 (as amended), S.I. 2016/1091 (as amended), S.I. 2012/3032 (as amended), S.I. 2001/1701 (as amended) and that the following designated standards have been used:

BS EN 62841-1:2015+A11:2022, BS EN 62841-4-2:2019+A11:2022,
BS EN IEC 55014-1:2021, BS EN IEC 55014-2:2021,
BS EN IEC 63000:2018

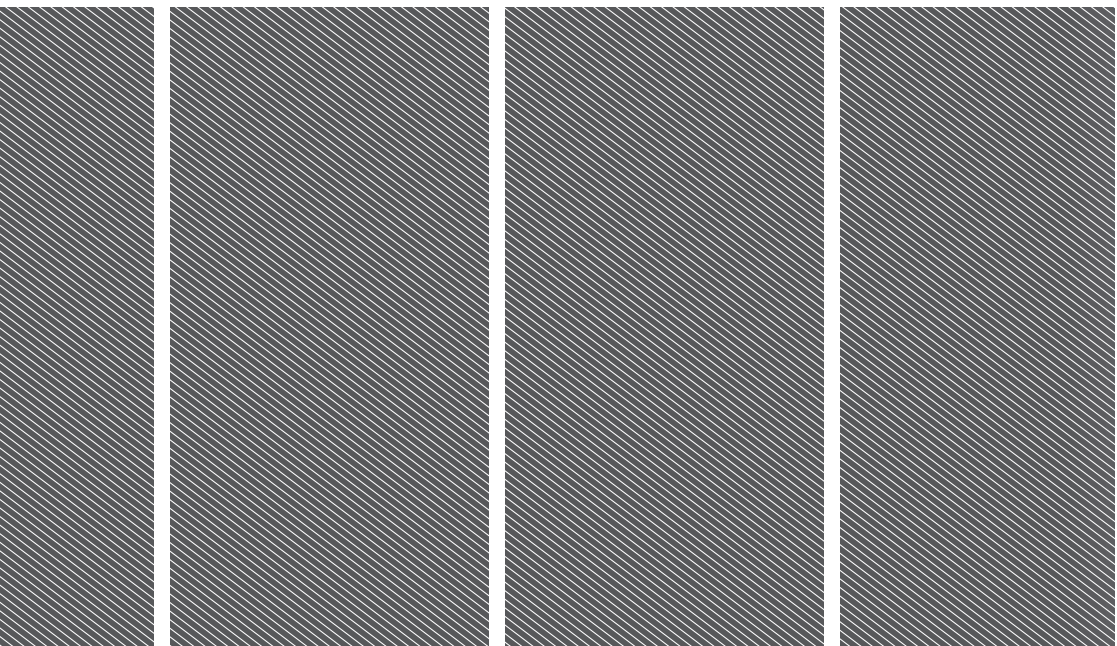
Measured sound power level: 93.5 dB(A)
Guaranteed sound power level: 98 dB(A)
Conformity assessment method to S.I. 2001/1701 Schedule 8 (as amended)



Todd Chipner
Senior Vice President, Quality – Asia
Winnenden, Oct. 11, 2024

Authorised to compile the technical file:
Techtronic Industries (UK) Ltd
Parkway
Marlow Bucks SL7 1YL
UK

- EN** RYOBI is a trade mark of Ryobi Limited, and is used under license.
HEDGESWEEP is a trade mark of Techtronic Outdoor Products Technology Limited.
- FR** RYOBI est une marque déposée de Ryobi Limited, et est utilisée sous licence.
HEDGESWEEP est une marque commerciale de Techtronic Outdoor Products Technology Limited.
- DE** RYOBI ist ein Markenzeichen von Ryobi Limited und wird in Lizenz verwendet.
HEDGESWEEP ist eine Handelsmarke von Techtronic Outdoor Products Technology Limited.
- ES** RYOBI es una marca registrada de Ryobi Limited, y se utiliza bajo licencia.
HEDGESWEEP es una marca comercial de Techtronic Outdoor Products Technology Limited.
- IT** L'utilizzo del marchio registrato RYOBI è legato alla licenza concessa da Ryobi Limited.
HEDGESWEEP è un marchio commerciale di Techtronic Outdoor Products Technology Limited.
- NL** RYOBI is een handelsmerk van Ryobi Limited en wordt onder licentie gebruikt.
HEDGESWEEP is een handelsmerk van Techtronic Outdoor Products Technology Limited.
- PT** RYOBI é uma marca comercial de Ryobi Limited, e é utilizada sob licença.
HEDGESWEEP é uma marca comercial da Techtronic Outdoor Products Technology Limited.
- DA** RYOBI er et varemærke tilhørende Ryobi Limited og bruges under licens.
HEDGESWEEP er et varemærke tilhørende Techtronic Outdoor Products Technology Limited.
- SV** RYOBI är en del av varumärke Ryobi Limited och dess användning är licensierad.
HEDGESWEEP är ett varumärke som tillhör Techtronic Outdoor Products Technology Limited.
- FI** RYOBI on Ryobi Limitedin omistama tavaramerkki, ja sitä käytetään lisenssin puitteissa.
HEDGESWEEP on tavaramerkki, jonka omistaa Techtronic Outdoor Products Technology Limited.
- NO** RYOBI er et varemerke for Ryobi Limited, og brukes under lisens.
HEDGESWEEP er et varemerke som tilhører Techtronic Outdoor Products Technology Limited.
- RU** RYOBI является товарным знаком компании Ryobi Limited, используемым по лицензии.
HEDGESWEEP является товарным знаком компании Techtronic Outdoor Products Technology Limited.
- PL** RYOBI to znak towarowy firmy Ryobi Limited i jest używany zgodnie z udzieloną licencją.
HEDGESWEEP jest znakiem towarowym na licencji Techtronic Outdoor Products Technology Limited.
- CS** RYOBI je ochranná známka společnosti Ryobi Limited a její používání podléhá licenci.
HEDGESWEEP je ochranná známka společnosti Techtronic Outdoor Products Technology Limited.
- HU** A RYOBI a Ryobi Limited védjegye, használatát licenc keretében történik.
A HEDGESWEEP az Techtronic Outdoor Products Technology Limited védjegye.
- RO** RYOBI este o marcă comercială a firmei Ryobi Limited și este utilizată sub licență.
HEDGESWEEP este marca comercială a Techtronic Outdoor Products Technology Limited.
- LV** RYOBI ir Ryobi Limited preču zīme un tiek izmantota saskaņā ar licenci.
HEDGESWEEP ir Techtronic Outdoor Products Technology Limited preču zīme.
- LT** „RYOBI“ yra „Ryobi Limited“ prekės ženklas, naudojamas pagal licenciją.
HEDGESWEEP yra „Techtronic Outdoor Products Technology Limited“ prekės ženklas.
- ET** RYOBI on ettevõtte Ryobi Limited kaubamärk, mida kasutatakse litsentsi alusel.
HEDGESWEEP on ettevõtte Techtronic Outdoor Products Technology Limited kaubamärk.
- HR** RYOBI je žig tvrtke Ryobi Limited i koristi se po licenci.
HEDGESWEEP je žig tvrtke Techtronic Outdoor Products Technology Limited.
- SL** RYOBI je blagovna znamka družbe Ryobi Limited in se uporablja na podlagi dovoljenja.
HEDGESWEEP je blagovna znamka podjetja Techtronic Outdoor Products Technology Limited.
- SK** RYOBI je ochranná známka spoločnosti Ryobi Limited a používa sa na základe licencie.
HEDGESWEEP je ochranná známka spoločnosti Techtronic Outdoor Products Technology Limited.
- BG** RYOBI е търговска марка на Ryobi Limited и се използва под лиценз.
HEDGESWEEP е търговска марка на Techtronic Outdoor Products Technology Limited.
- UK** RYOBI е товарним знаком Ryobi Limited, і використовується за ліцензією.
HEDGESWEEP є торговою маркою Techtronic Outdoor Products Technology Limited.
- TR** RYOBI, Ryobi Limited şirketine ait olup, lisans altında kullanılan bir ticari markadır.
HEDGESWEEP, Techtronic Outdoor Products Technology Limited şirketinin bir ticari markasıdır.
- EL** Το RYOBI αποτελεί εμπορικό σήμα της Ryobi Limited και χρησιμοποιείται μετά από χορήγηση άδειας.
Το HEDGESWEEP είναι σήμα κατατεθέν της Techtronic Outdoor Products Technology Limited.



Techtronic Industries GmbH
Max-Eyth-Straße 10,
71364 Winnenden, Germany

Techtronic Industries (UK) Ltd
Parkway
Marlow Bucks SL7 1YL
UK

961087684-01