

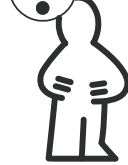


### Safety Instructions



0, 1, 2, 4, 6, 10, 11,  
15, 25

Info Hotline



+49 (0) 5041 998 389

Mon.-Do. 7<sup>00</sup>-20<sup>00</sup>

Fr. 7<sup>00</sup>-17<sup>00</sup>

Paulmann Licht GmbH  
31832 Springe / Germany  
www.paulmann.com

Art.-Nr.:

937.40

937.41

937.42

937.43

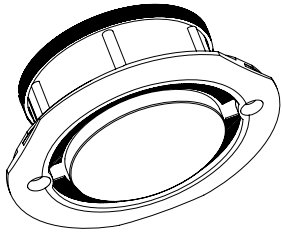
937.44

937.45

(+MA 173)

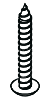
PKE 10/11

937.40  
937.41

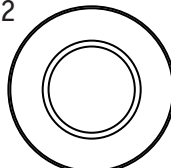


1x

incl.

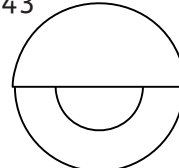


937.42



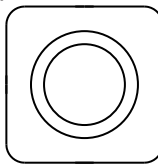
1x

937.43



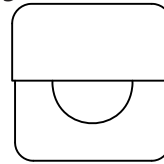
1x

937.44



1x

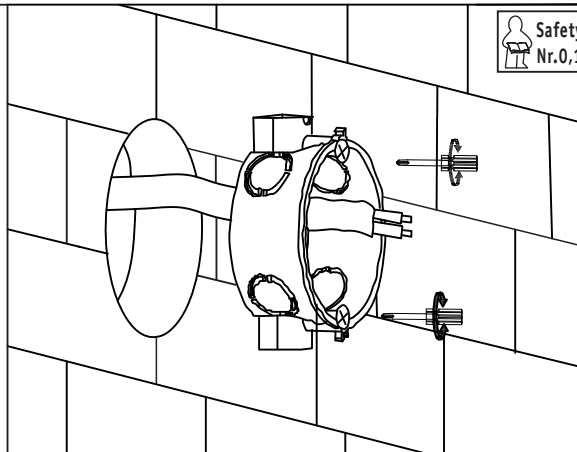
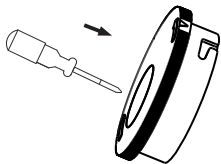
937.45



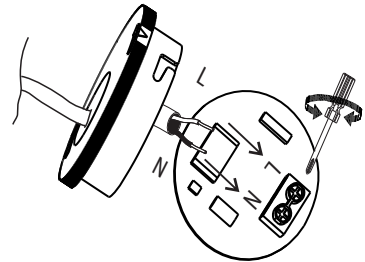
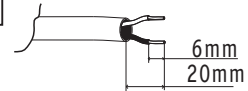
1x



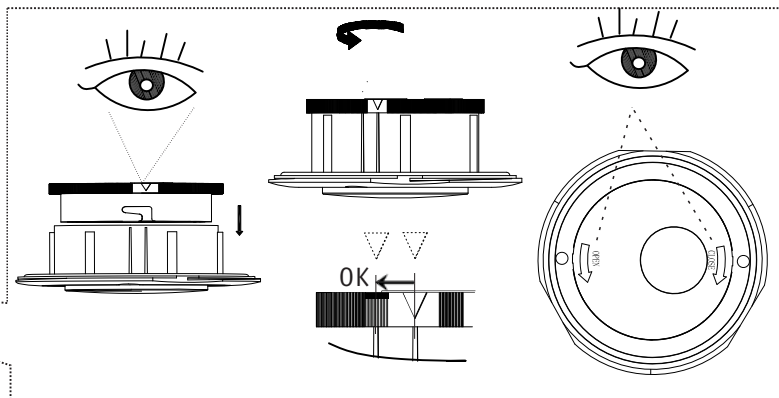
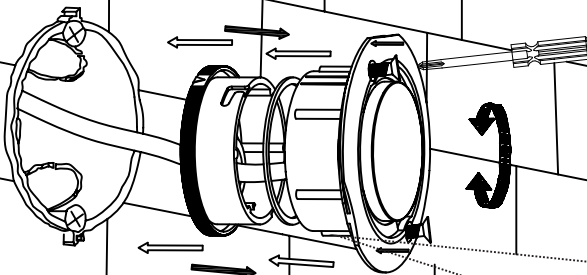
A



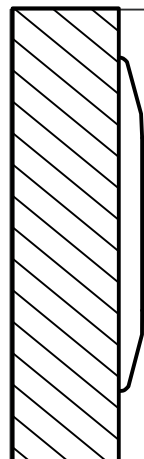
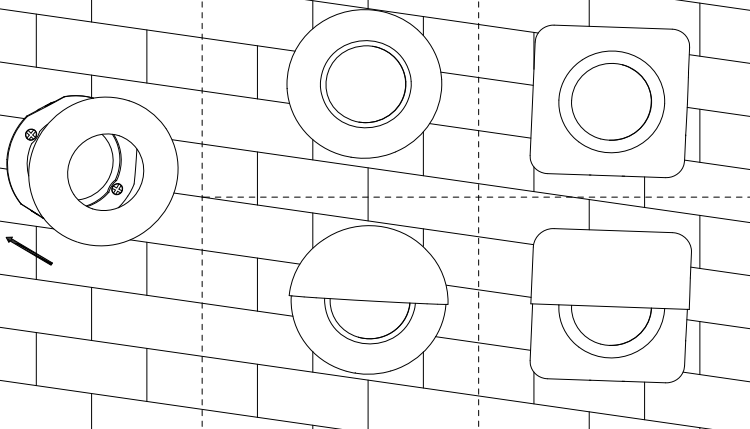
Safety Instructions  
Nr. 0, 1, 2, 4



B



C



LED

