

**Safety Instructions**

1, 2, 3, 4, 5, 6, 7, 8, 12, 16,  
19, 22, 23, 24, 29, 31, 32,  
33, 34



**Info Hotline**



**+49 (0) 5041 998 389**

Mon. - Do. 7<sup>00</sup> - 20<sup>00</sup>  
Fr. 7<sup>00</sup> - 17<sup>00</sup>

Paulmann Licht GmbH  
Quezinger Feld 2  
31832 Springe  
Germany

[www.paulmann.com](http://www.paulmann.com)

Art.-Nr.: **954.61**

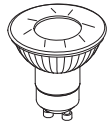
(+MA326)PH04/16



1x



not incl.  
max. 10W  
GU10 LED

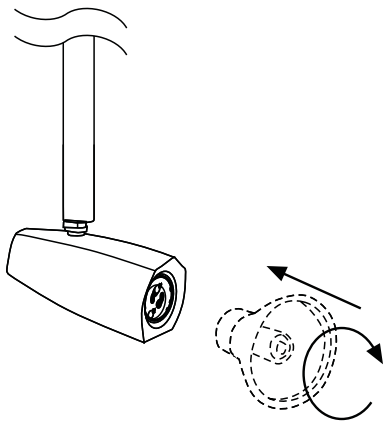


Paulmann  
Art.-Nr. 284.34  
[www.paulmann.com](http://www.paulmann.com)

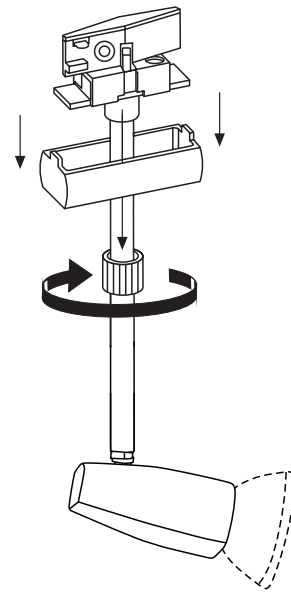
**A**



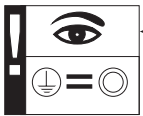
Nr. 19,22,23,24



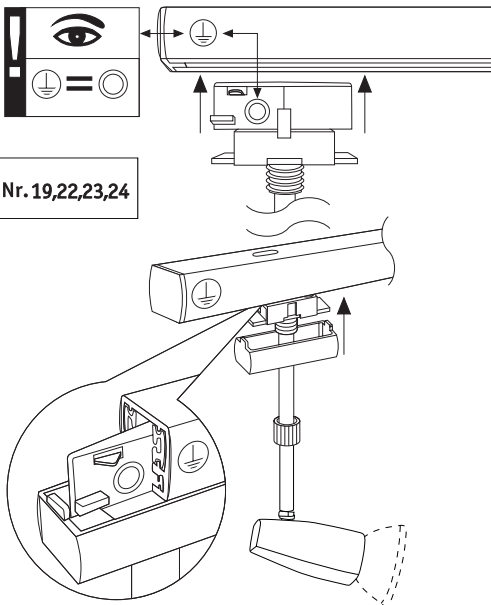
**B**



**C**



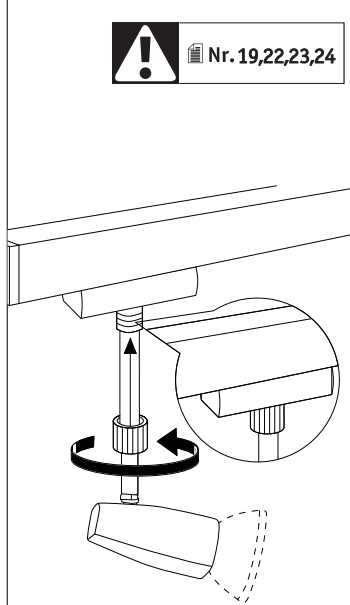
Nr. 19,22,23,24



**D**



Nr. 19,22,23,24



>0.3m = 0.3m

