

# 15' x 33" Metal Frame Pool

Model : P2001533F0FR

## Features:

- Durable rust proof metal frame construction
- Easy to assemble with snap on joints requiring no tools
- Durable 3-ply puncture resistant material



## Specifications

Brand	: Summer Waves®	AGP Type	: Frame Pool
Size	: 15' x 33" (4.57m x 84cm)	Water Capacity	: 3,157 Gallons (11,949 L)
Filter Pump	: RX600 220~240V	Pump Flow Rate	: 600 Gallons (2,271 L)
Filter Cartridge	: D Type	Accessories	: SureStep™ Ladder, Pool Cover, Ground Cloth, Repair Patch
Printing	: Blue		
Warranty	: Pool Liner : 90 days Pump : 180 days		

## Product Dimensions

Package Qty.	: 1
Weight (N.W.)	: 37 lbs (16.8 kg)
Length	: 15' (4.57 m)
Width	: 15' (4.57 m)
Height	: 33" (0.84 m)

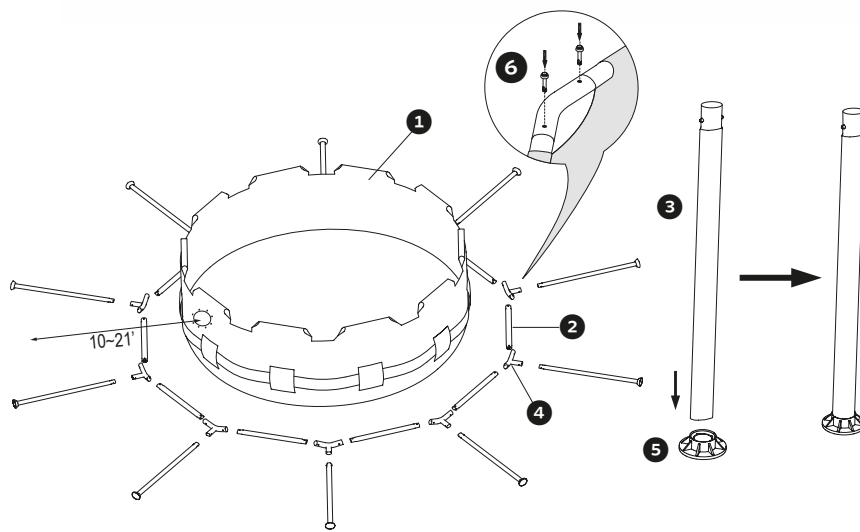
## Carton Dimensions









Case Pack Qty.	: 1
Weight (G.W.)	: 143 lbs (65 kg)
Length	: 24" (61 cm)
Width	: 15" (38.1 cm)
Height	: 44" (111.8 cm)
CBM	: 0.26

## Shipping Quantity

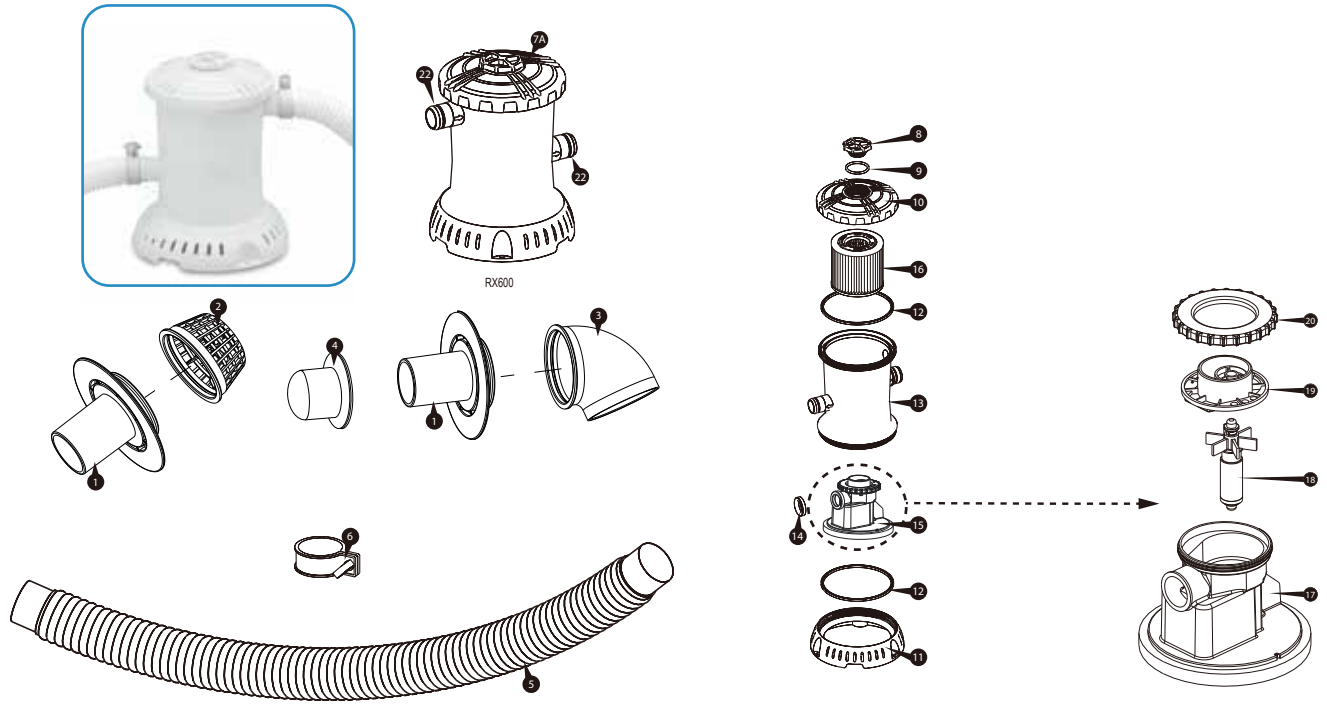
20' Container	: 108
40' Container	: 218
40' H Container	: 250

## Metal Frame



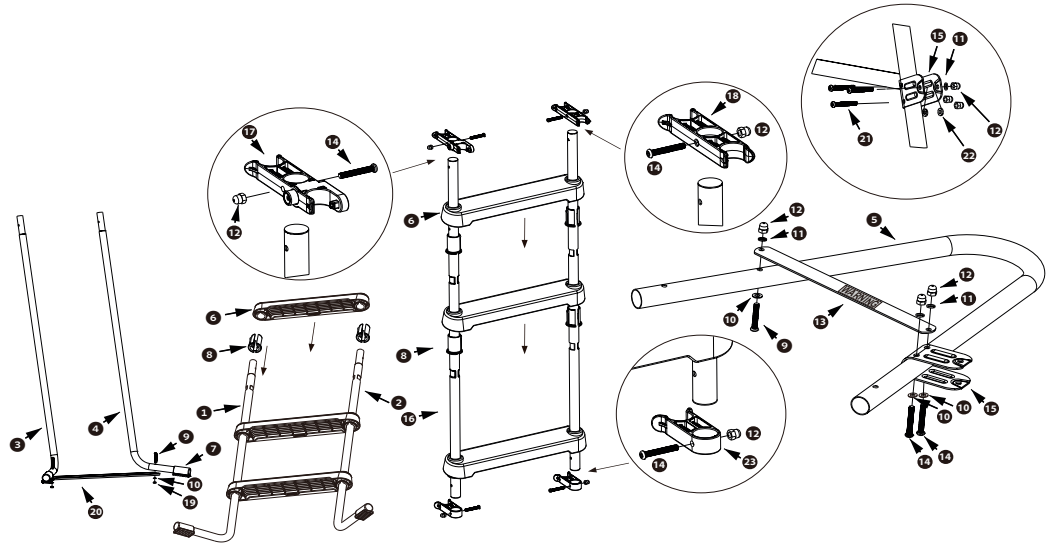
No#	Spare part	Photo	SAP#	No#	Spare part	Photo	SAP#
1	Pool Liner		P20015333099	5	Leg Cap		P5APF0490K01
2	Horizontal Beam		P5A1A0002W01	6	Pin & Grommet		P5A120144W01
3	Vertical Leg		P5A2A0016W01	7	V-Shape Spring Pin		P5APF121AW01
4	T-Fitting		P5A3A0005W01		Drain Plug		P58080173W01

**Pump**



No#	Spare part	Photo	SAP#	No#	Spare part	Photo	SAP#
1	Suction Fitting Base		P58PF5470W05	12	Canister Gasket (Motor Seal)		P58147800K01
2	Suction Fitting Screen		P58PF5480P01	13	Filter Pump Canister		P5810030AW05
3	Flow Diverter		P58PF5520P01	14	Rubber Nozzle / Gasket		P58PP3750K01
4	Return Fitting Plug (RF/Service Plug)		P58PF5460K01	15	Pump Motor Assembly		P58X600C02GS
5	Hose		P584125002W1	16	Type D Filter Cartridge		P583041037PR
6	Hose Clamp		P58220221W05	18	Rotor Assembly		P58050137001
8	Vent Screw		P58182201W05	19	Volute Cover		P58PF1009K01
9	Vent Screw O-Ring		P58182501K01	20	Volute Cover Lock Nut		P58PF1010K01
10	Seal Top		P58PF1007W05	22	O-Ring for Hose Connections		P58030001K01
11	Pump Base		P58100740W05				

**Ladder**



No#	Spare part	Photo	SAP#	No#	Spare part	Photo	SAP#
1	Ladder Leg (L)		P5901512322W	13	Ladder Warning Bracket		P5942003661W
2	Ladder Leg ®		P5901512320W	14	Machine Screw B (L=40mm)		P5911600400A
3	Plain Ladder Leg (L)		P5901512323W	15	Ladder Hinge		P5992001753W
4	Plain Ladder Leg ®		P5901512321W	16	Straight Ladder Leg		P5961510420W
5	Ladder Handrail		P5911011200W	17	Swivel Ladder Clamp with Button		P59PF4461B01
6	Ladder Tread		P59PP3800B01	18	Swivel Ladder Clamp		P59PF4460B01
7	Ladder End Cap		P59PF0090B01	19	Hex Nut		P59211M6000A
8	Ladder Tread Clip		P59PF0070B01	20	Ladder Base Plate		P59A2005204W
9	Machine Screw A (L=35mm)		P5911600350A	21	Machine Screw C (L=45mm)		P5911600450A
10	Metal Washer		P5942M60000A	22	Plastic Flat Washer		P59PF4490P01
11	Lock Washer		P5943M60000A	23	Ladder Bottom Clip		P59PF4500B01
12	Cap Nut		P59231M6000A				

**Accessories**

**Cover**

Spare part	Photo	SAP#
Cover		P521500F0099

**Ground Cloth**

Spare part	Photo	SAP#
Grand Cloth		P51150000099