

AEG

POWERTOOLS

KS 66-2

Original instructions

Originalbetriebsanleitung

Notice originale

Istruzioni originali

Manual original

Manual original

Oorspronkelijke gebruiksaanwijzing

Original brugsanvisning

Original bruksanvisning

Bruksanvisning i original

Alkuperäiset ohjeet

Πρωτότυπο οδηγιών χρήσης

Orijinal işletme talimatı

Původním návodem k používání

Pôvodný návod na použitie

Instrukcją oryginalną

Eredeti használati utasítás

Izvirna navodila

Originalne pogonske upute

Instrukcijām oriģinālvalodā

Originali instrukcija

Algupärane kasutusjuhend

Оригинальное руководство по эксплуатации

Оригинално ръководство за експлоатация

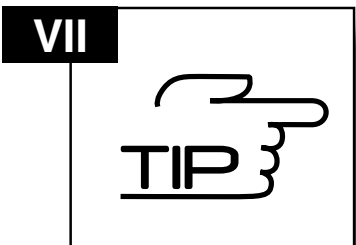
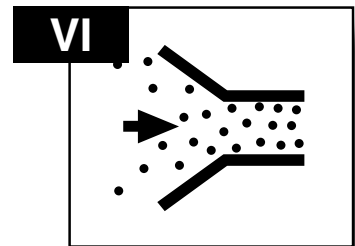
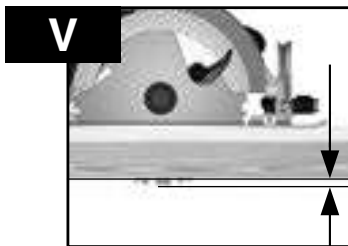
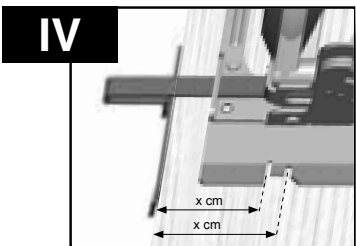
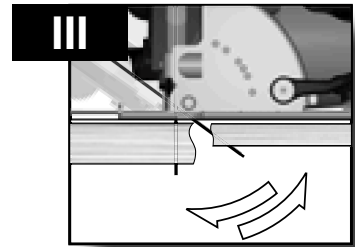
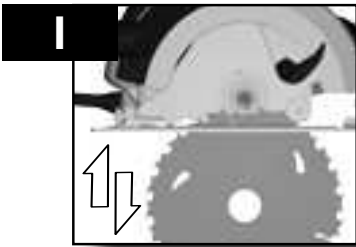
Instrucțiuni de folosire originale

Оригинален прирачник за работа

原始的指南

Technical Data, Safety Instructions, Specified Conditions of Use, EC-Declaration of Conformity, Mains connection, Maintenance, Symbols	Please read and save these instructions!	English	14
Technische Daten, Sicherheitshinweise, Bestimmungsgemäße Verwendung, CE-Konformitätserklärung, Netzanschluss, Wartung, Symbole	Bitte lesen und aufbewahren!	Deutsch	17
Caractéristiques techniques, Instructions de sécurité, Utilisation conforme aux prescriptions, Déclaration CE de Conformité, Branchement secteur, Entretien, Symboles	A lire et à conserver soigneusement	Français	20
Dati tecnici, Norme di sicurezza, Utilizzo conforme, Dichiarazione di Conformità CE, Collegamento alla rete, Manutenzione, Simboli	Si prega di leggere e conservare le istruzioni!	Italiano	23
Datos técnicos, Instrucciones de seguridad, Aplicación de acuerdo a la finalidad, Declaración de Conformidad CE, Conexión eléctrica, Mantenimiento, Símbolos	Lea y conserve estas instrucciones por favor!	Español	26
Características técnicas, Instruções de segurança, Utilização autorizada, Declaração de Conformidade CE, Ligação à rede, Manutenção, Símbolo	Por favor leia e conserve em seu poder!	Português	29
Technische gegevens, Veiligheidsadviezen, Voorgescreven gebruik van het systeem, EC-Konformiteitsverklaring, Netaansluiting, Onderhoud, Symbolen	Lees en let goed op deze adviezen!	Nederlands	32
Tekniske data, Sikkerhedshenvisninger, Tiltænk formål, CE-Konformitetserklæring, Netttilslutning, Vedligeholdelse, Symboler	Vær venlig at læse og Opbevare!	Dansk	35
Tekniske data, Spesielle sikkerhetshenvisninger, Formålmessig bruk, CE-Samsvarserklæring, Nettettkopling, Vedlikehold, Symboler	Vennligst les og oppbevar!	Norsk	38
Tekniska data, Säkerhetsutrustning, Använd maskinen Enligt anvisningarna, CEFörsäkring, Nätanslutning, Skötsel, Symboler	Läs igenom och spara!	Svenska	41
Tekniset arvot, Turvallisuusohjeet, Tarkoituksemukainen käyttö, Todistus CE-standardinmukaisuudesta, Verkkoiliitäntä, Huolto, Symbolit	Lue ja säilytä!	Suomi	44
Τεχνικά στοιχεία, Ειδικές υποδείξεις ασφάλειας, Χρήση σύμφωνα με το σκοπό προορισμού, Δήλωση πιστότητας ΕΚ, Μπαταρίες, Χαρακτηριστικά, Συντήρηση, Σύμβολα.	Παρακαλώ διαβάστε τις και φυλάξτε τις!	Ελληνικά	47
Teknik veriler, Güvenliğiniz için talimatlar, Kullanım, CE uygunluk beyanice, Şebeke bağlantısı, Bakım, Semboller	Lütfen okuyun ve saklayın	Türkçe	50
Technická data, Speciální bezpečnostní upozornění, Oblast využití, Ce-prohlášení o shodě, Připojení na síť, Údržba, Symboly	Po přečtení uschovejte	Česky	53
Technické údaje, Špeciálne bezpečnostné pokyny, Použitie podľa predpisov, CE-Vyhlasenie konformity, Siet'ová prípojka, Údržba, Symboly	Prosím prečítať a uschovať!	Slovensky	56
Dane techniczne, Specjalne zalecenia dotyczące bezpiecze'nstwa, Uzytkowanie zgodnie z przeznaczeniem, Świadcstwo zgodności ce, Podłączenie do sieci, Gwarancja, Symbole	Należy uważnie przeczytać i zachować do wglądu!	Polski	59
Műszaki adatok, Különleges biztonsági tudnivalók, Rendeltetészerű használat, Ce-azonossági nyilatkozat, Hálózati csatlakoztatás, Karbantartás, Szimbólumok	Olvassa el és őrizze meg	Magyar	62
Tehnični podatki, Specialni varnostni napotki, Uporaba v skladu z namembnostjo, Ce-izjava o konformnosti, Omrežni priključek, Vzdrževanje, Simboli	Prosimo preberite in shranite!	Slovensko	65
Tehnički podaci, Specijalne sigurnosne upute, Propisna upotreba, CE-Izjava konformnosti, Priključak na mrežu, Održavanje, Simboli	Molimo pročitati i sačuvati	Hrvatski	68
Tehniskie dati, Speciālie drošības noteikumi, Noteikumiem atbilstošs izmantojums, Atbilstība CE normām, Tikla pieslēgums, Apkope, Simboli	Pielikums lietošanas pamācībai	Latviski	71
Techniniai duomenys, Ypatingos saugumo nuorodos, Naudojimas pagal paskirti, CE Atitikties pareiškimas, Elektros tinklo jungtis, Techninis aptarnavimas, Simboliai	Prašome perskaityti ir neišmesti!	Lietuviškai	74
Tehnilised andmed, Spetsiaalsed turvajuhised, Kasutamine vastavalt otstarbele, EÜ Vastavusavaldus, Võrku ühendamine, Hooldus, Sümbolid	Palun lugege läbi ja hoidke alal!	Eesti	77
Технические данные, Рекомендации по технике безопасности, Использование, Подключение к электросети, Обслуживание, Символы	Пожалуйста прочтите и сохраните эту инструкцию.	Русский	80
Технически данни, Специални указания за безопасност, Използване по предназначение, CE-Декларация за съответствие, Свързване към мрежата, Поддръжка, Символи	Моля прочетете и запазете!	Български	83
Date tehnice, Instrucțiuni de securitate, Condiții de utilizare specifice, Declarație de conformitate, Accumulatori, Intreținere, Simboluri	Va rugăm citiți și păstrați aceste instrucțiuni	Română	86
Технички Податоци, Упатство За Употреба, Специфицирани Услови На Употреба, Еу-декларација За Сообразност, БАТЕРИИ, Одржување, Символи	Ве молиме прочитајте го и чувајте го ова упатство!	Македонски	89
技术参数, 特别安全说明书, 详细使用说明, 欧盟符合性声明, 电源连接, 维护保养, 符号	请详细阅读并妥善保存!	中文	92

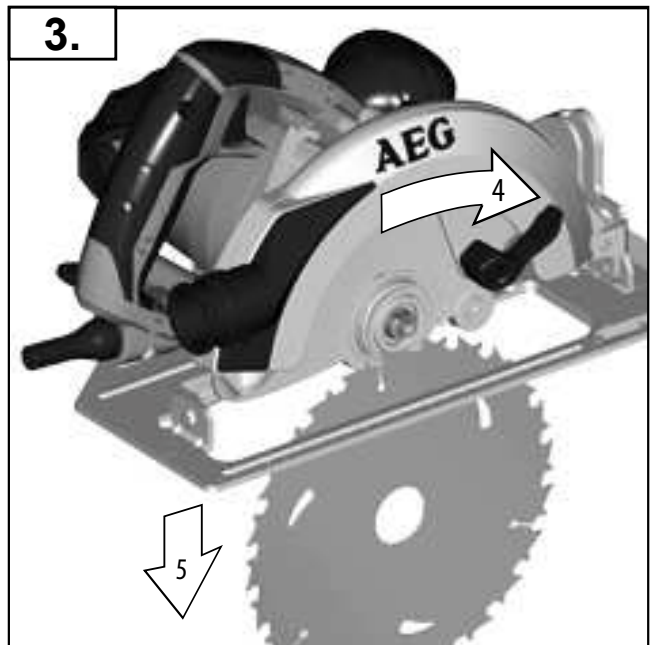
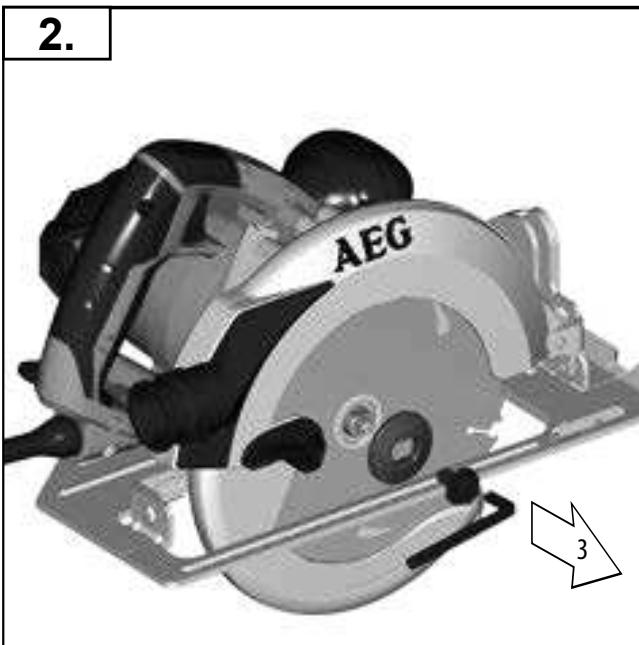
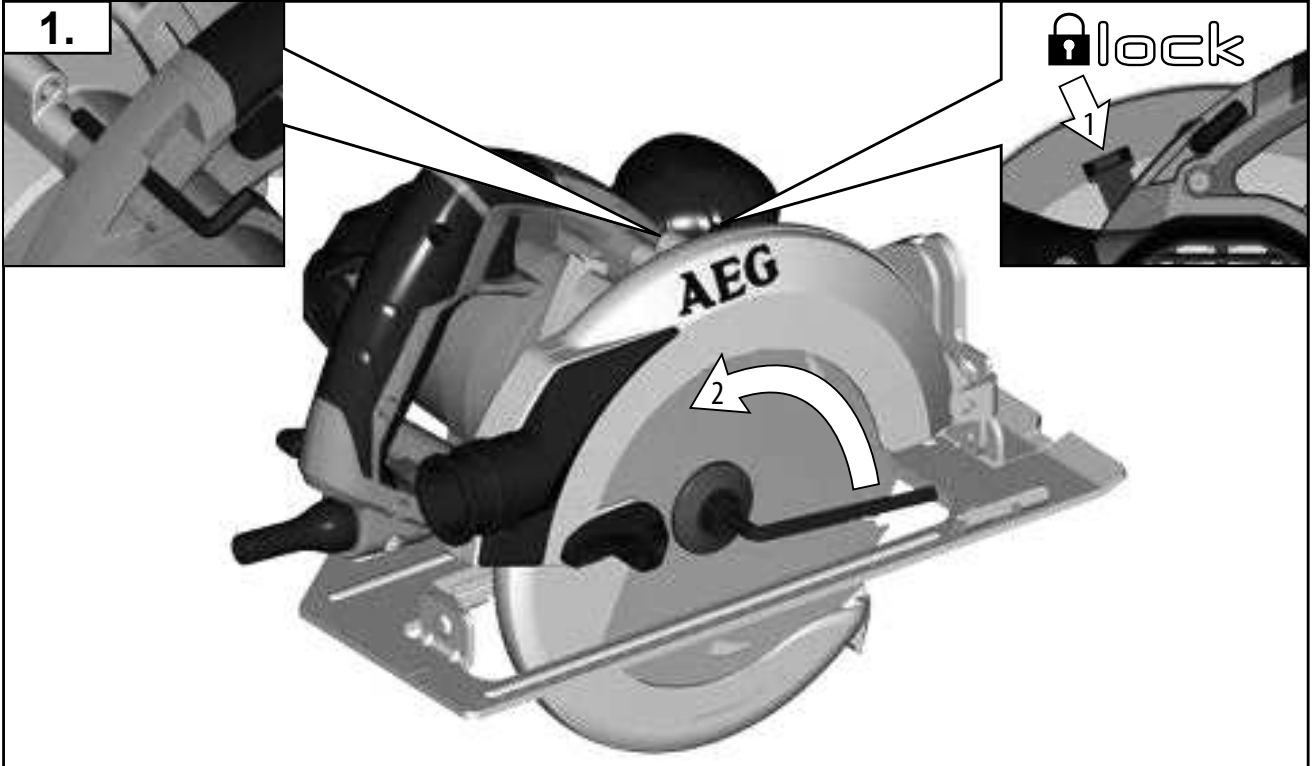
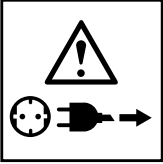


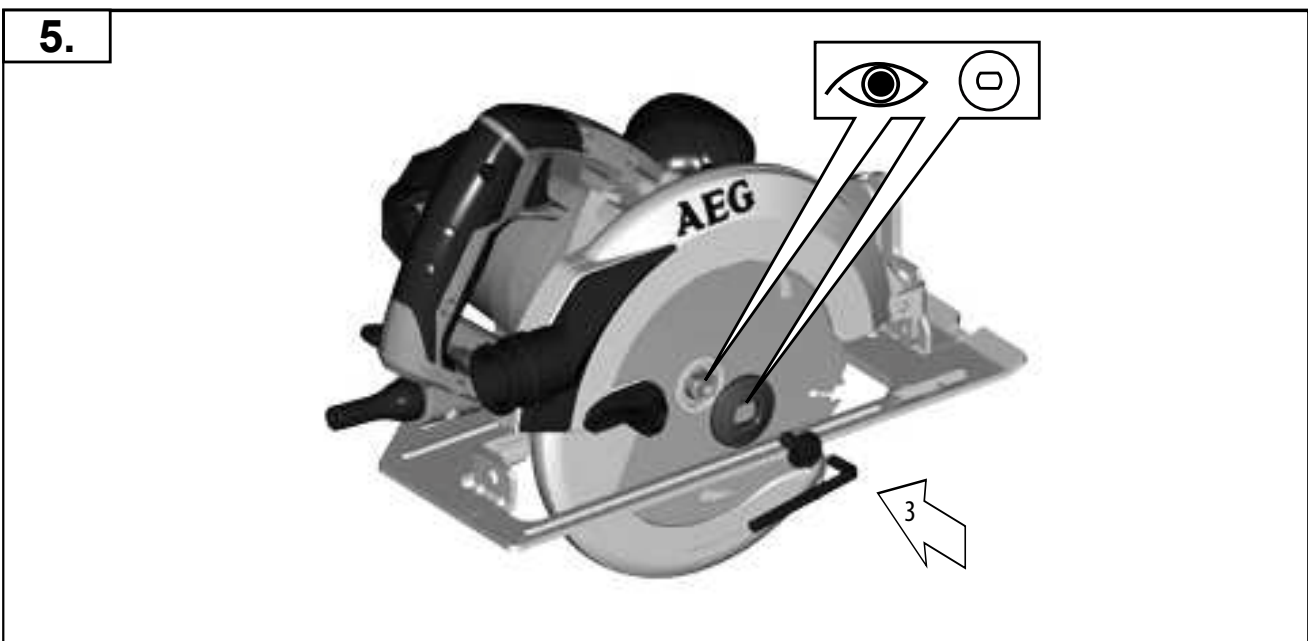
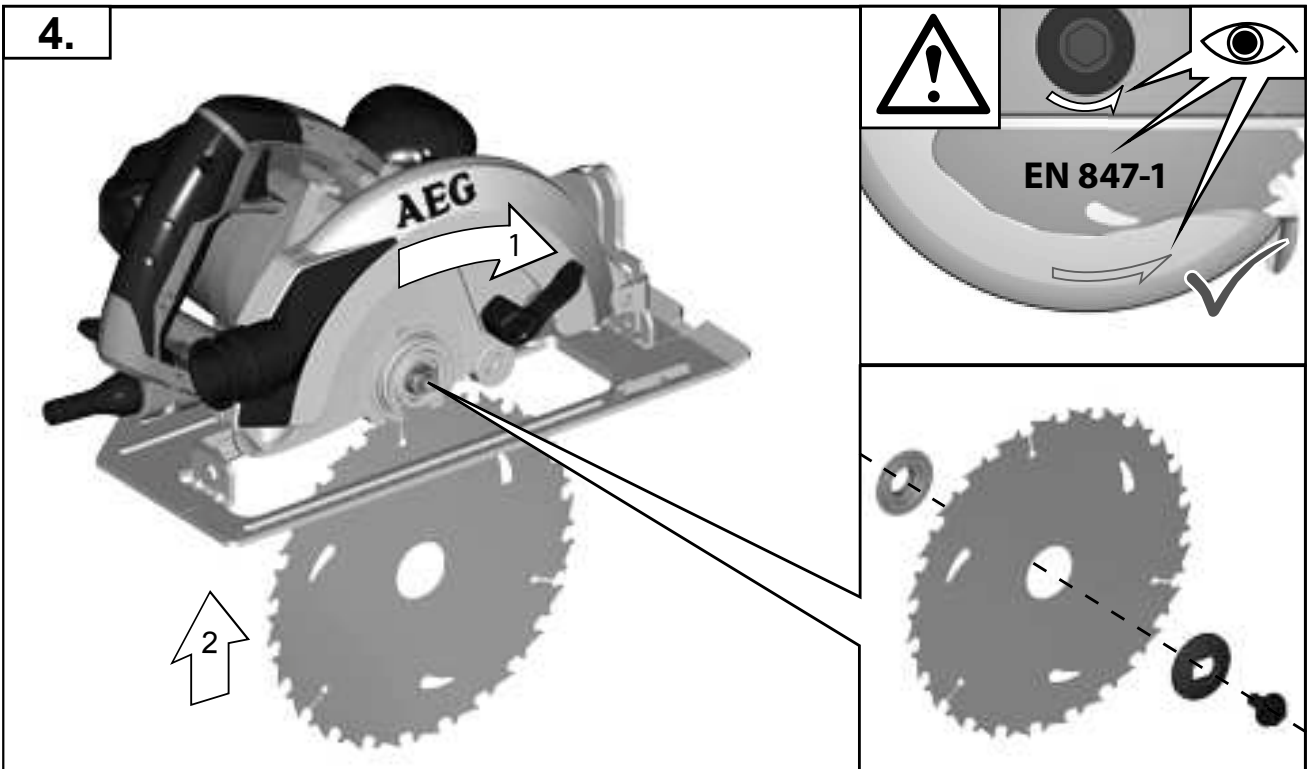
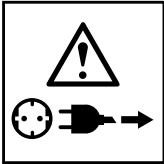


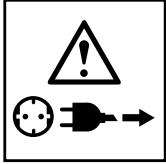

Accessory
Zubehör
Accessoires
Accessorio

Accessorio • Acessório
Toebehoren • Tilbehør
Tilbehør • Tillbehör
Lisälaite • Εξαρτήματα
Akseuar • Прилушення
Prislušenstv • Wyposażenie
Azokat a tartozékokat
Oprema • Piederumi
Priedas • Tarvikud
Дополнитель • Аксесоари
Accesoriu • ополнителна
опрема • 配件

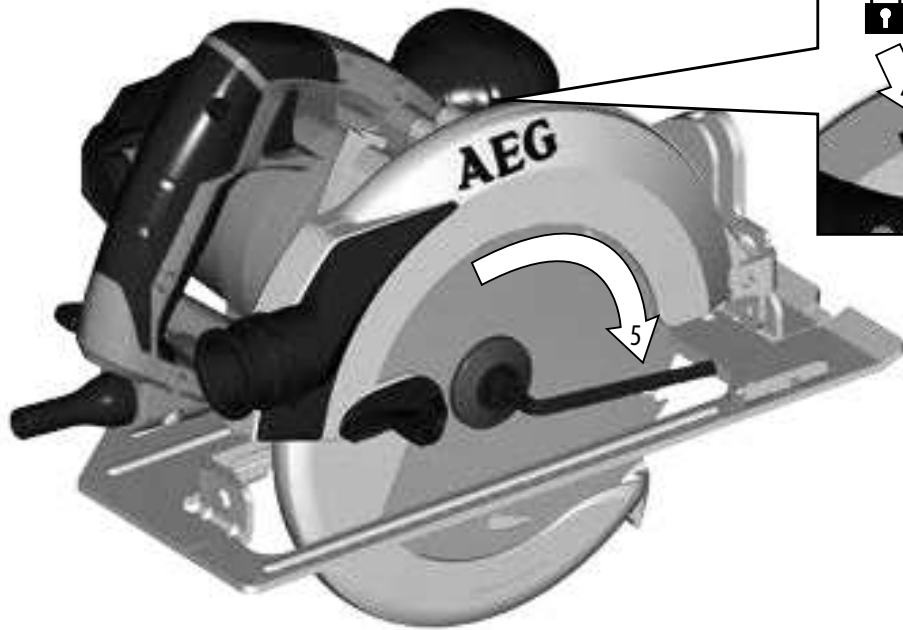








6.



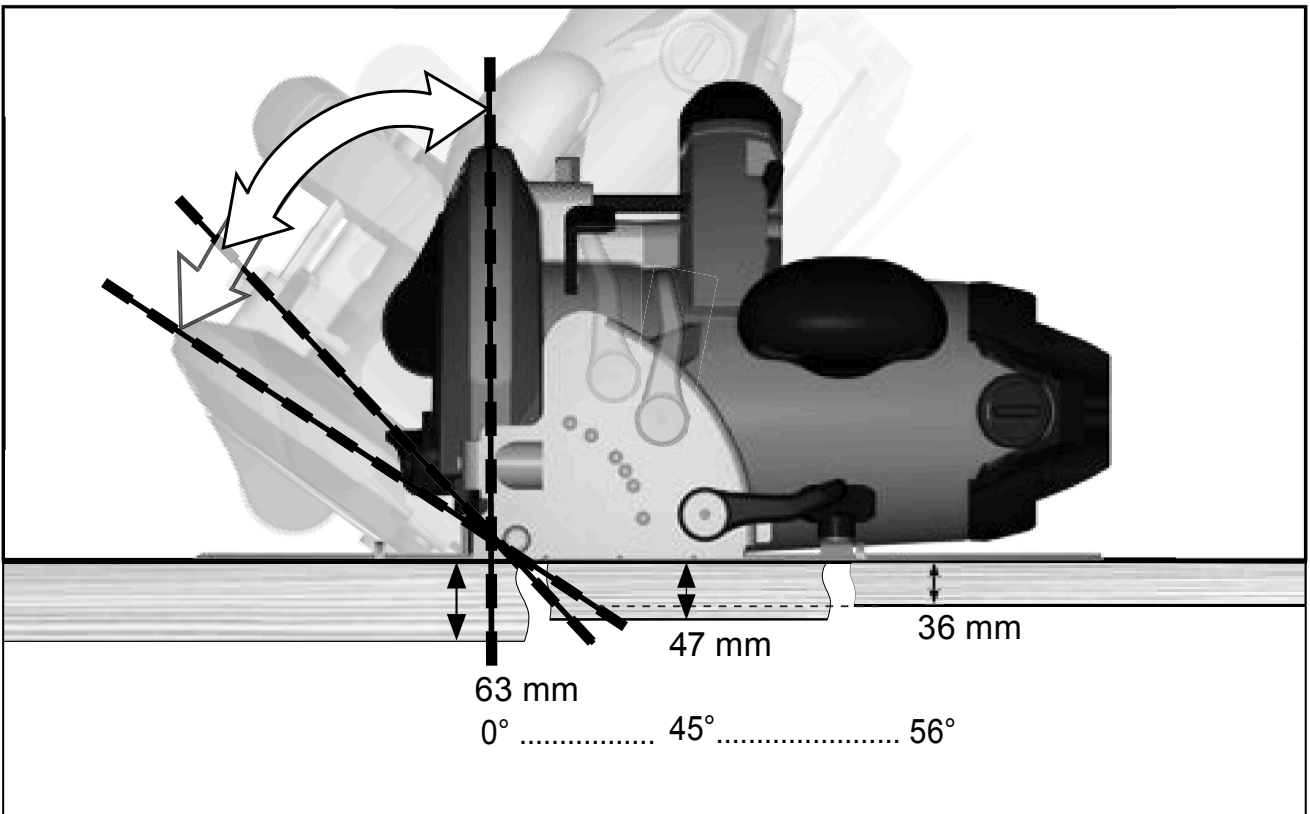
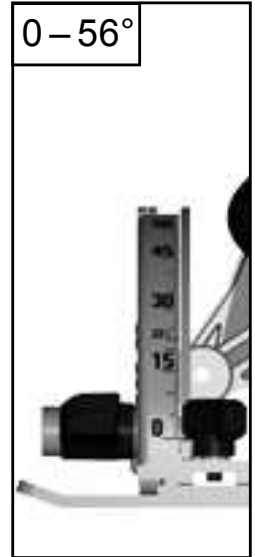
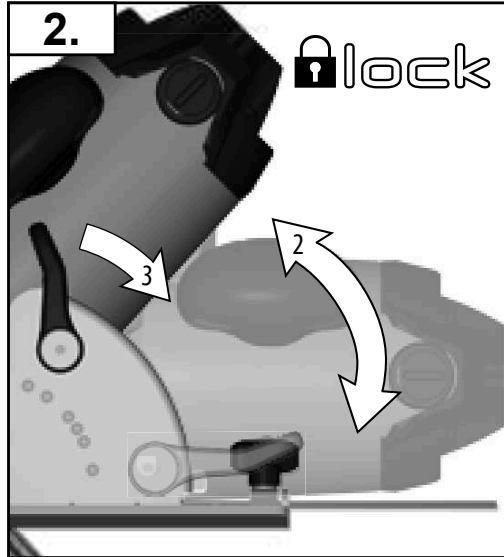
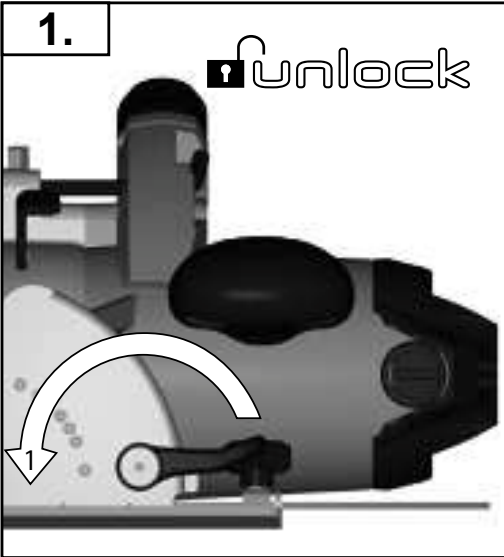
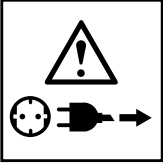
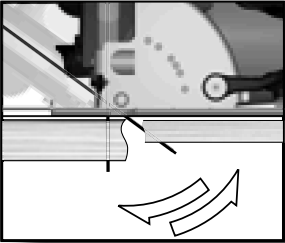
 lock

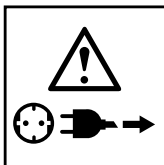
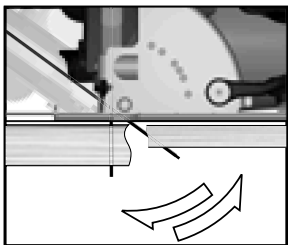
7.





START
= STOP





If a correction of the 90° angle of the guide-plate to the saw blade is necessary, use the correction screw.

Falls eine Korrektur des 90° Winkels der Führungsplatte zum Sägeblatt nötig ist, diese mit der Korrekturschraube durchführen

Si une correction de l'angle à 90° de la plaque de base par rapport à la lame de scie s'avère nécessaire, il convient alors d'avoir recours à la vis de correction.

Nella caso in cui si rendesse necessaria una correzione dell'angolo di 90° della piastra di base rispetto alla lama, questa potrà essere effettuata agendo sulla vite di correzione.

Si es necesario un ajuste o corrección de perpendicularidad (90°) del disco de sierra actuar sobre el tornillo de ajuste.

Caso se torne necessário corrigir a esquadria da base em relação ao disco de corte, agir sobre o parafuso de afinação.

Indien een correctie van de 90° hoek van de bodemplaat ten opzichte van het zaagblad nodig is kan deze worden gecorrigeerd met de correctieschroef.

Såfremt det er nødvendigt med en korrektion af bundpladens 90° vinkel i forhold til savklingen, gennemføres denne med korrektionsskruen.

Hvis det er nødvendigt å foreta en justering av 90°-vinkelen på føringsplaten i forhold til sagbladet, må dette gjøres med justeringsskruen.

Med ställskruv är det möjligt att justera 90°-vinkeln, bottenplatta till sågklingen.

Mikäli pohjalevyn 90°-kulman oikaisu sahanterään nähden on tarpeen, oikaisu suoritetaan oikaisuruuvista.

Kilavuz levhanın testere biçişine 90°lik konumunda bir düzeltme gerekiyorsa, bunu düzeltme vidası ile yapın.

Je-li nutná oprava kolmosti vodící desky k pilovému kotouči, provedte to nastavovacím šroubem.

Ak je potrebná korektúra 90° uhlu vodiacej platne k pilovému listu, použite korekčnú skrutku.

Jeżeli konieczne jest skorygowanie kąta ustawienia płytki prowadzącej 90° w stosunku do brzoźczota, naleźy wykorzystać do tego celu śrubę regulacyjną.

Ha az alaplap és a fűrészlap által bezárt 90 fokos szög korrekcióra szorul, használja az állító csavart.

Če je potrebna korektura 90° kota vodilne plošče k žaginemu listu, to opravite s pomočjo korekturnega vijaka.

Ako je potrebno korektura kuta vodeće ploče od 90° prema listu pile, ovu izvesti sa vijkom za korekturu.

Gadījumā, ja nepieciešama atbalsta plāksnes 90° leņķa korekcija attiecībā pret zāģa ripu, izmantojiet korekcijas skrūvi.

Jej tarp kreipiamosios ir pjūkle reikalinga 90° laipsnių pataisa, tai atlikite pataisos varžtu.

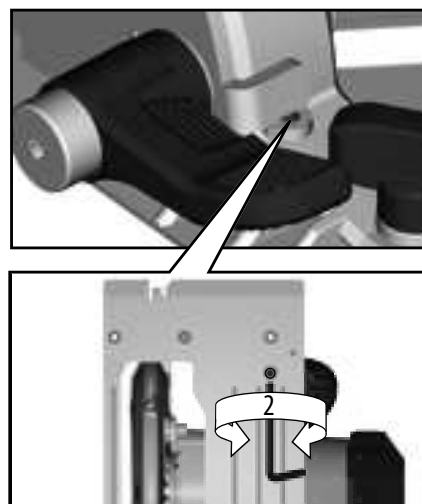
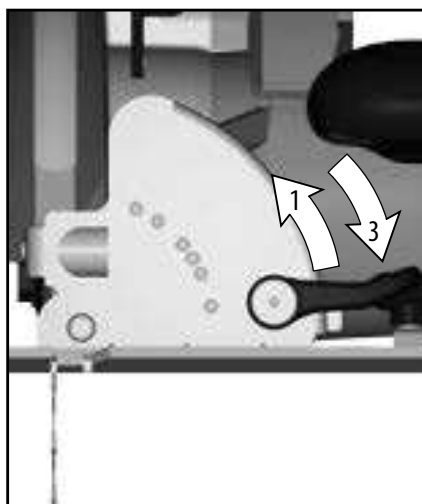
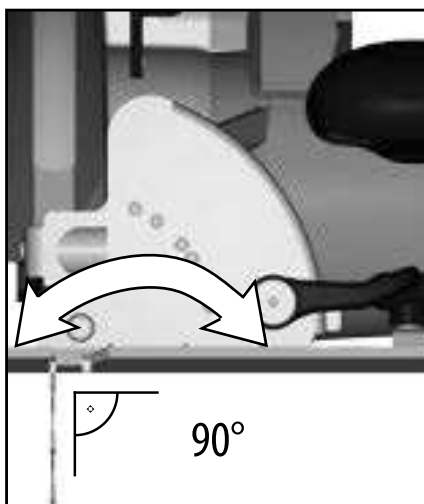
Juhul kui on vaja parandada juhtplaadi 90° nurka saelehe suhtes, siis tehke seda korrigeeriva kruviga.

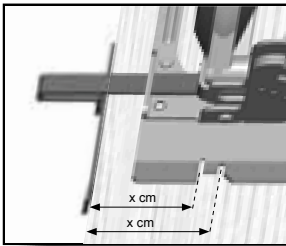
Для регулировки угла 90 град направляющей шины пильного полотна служит регулировочный винт. Ако е необходима корекция на ъгъла от 90° на водещата плоча спрямо режещия диск, направете я с коригирация винт.

Dacă este necesară o corecție în unghi de 90° a plăcii de ghidare față de lama ferăstraului, utilizați șurubul de corecție.

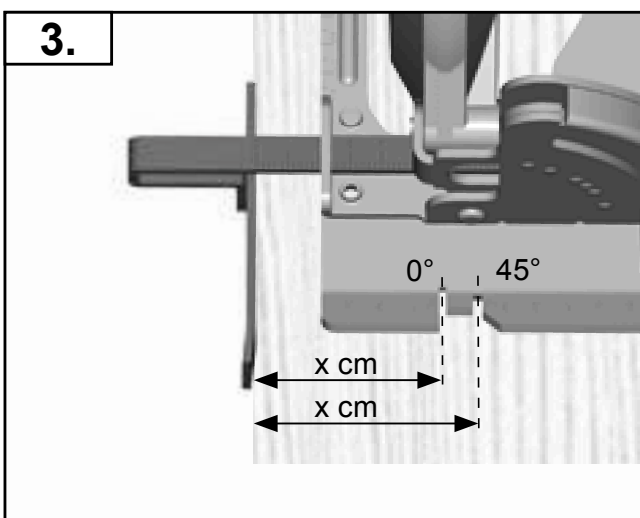
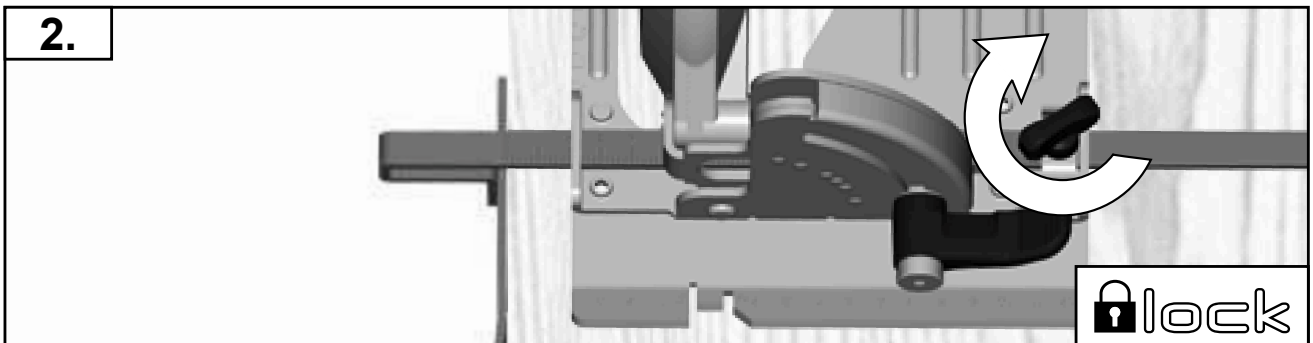
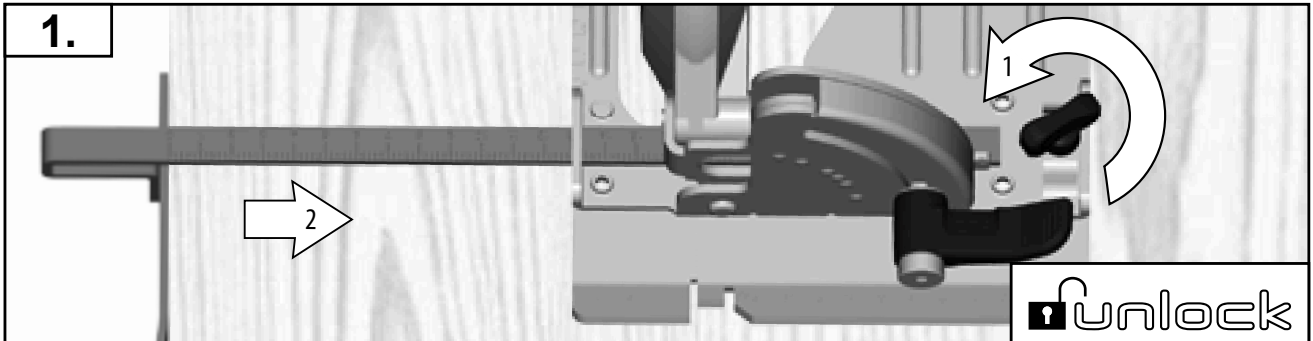
Доколку е потребно корегирање на аголот од 90° водечката површина кон сечилото на пилата, користет го шрафот за корекција.

如果必须更改导引板和锯刀片之间的角度(90度),则要调整校正螺丝。



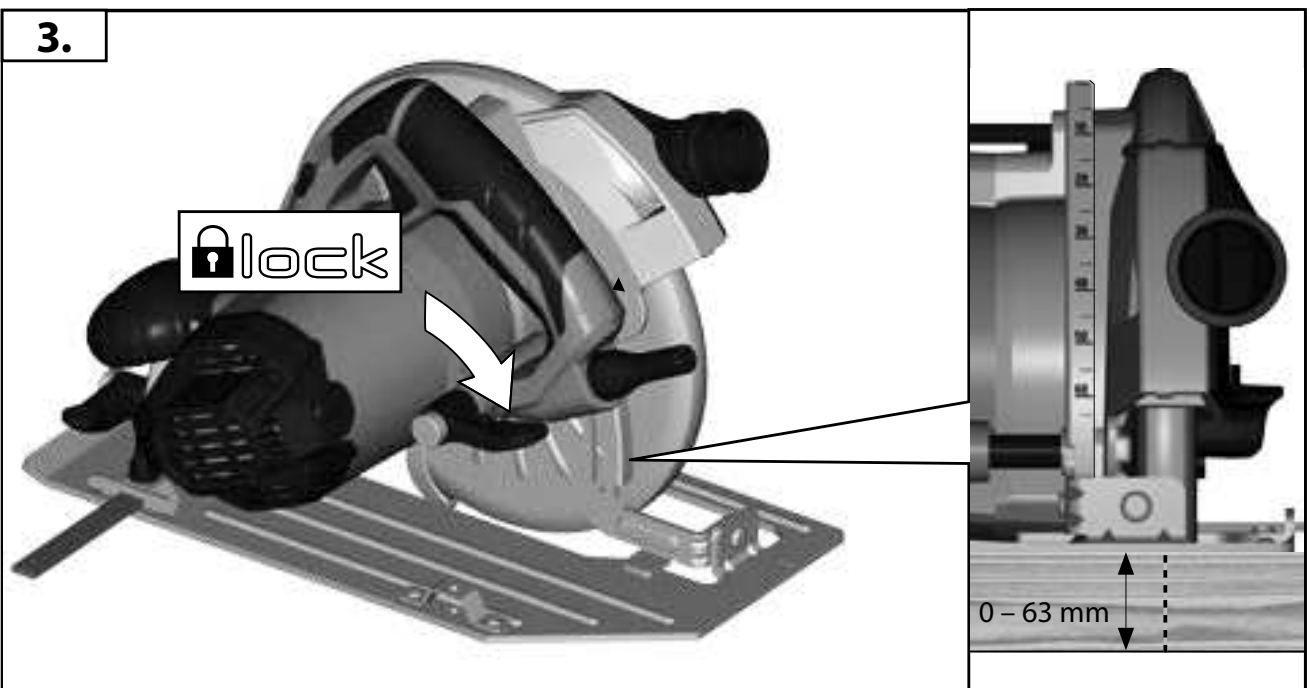
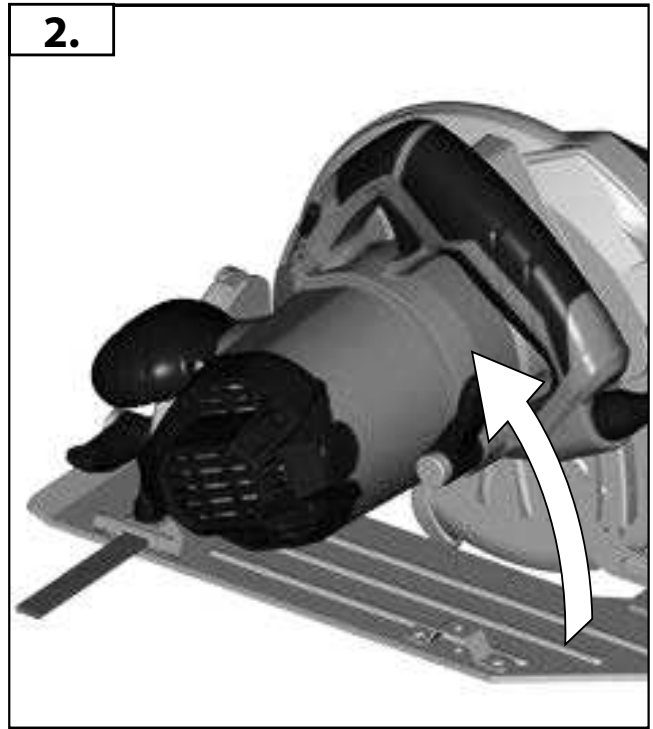
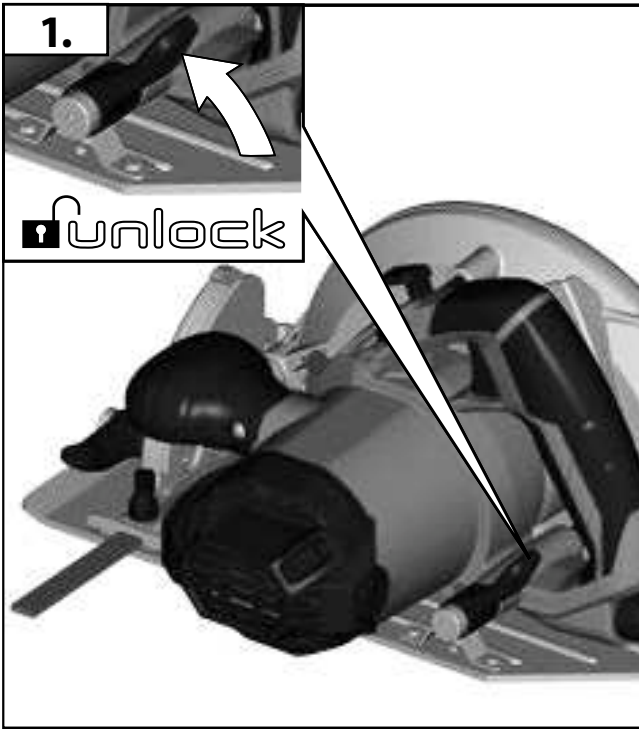
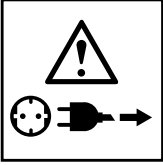
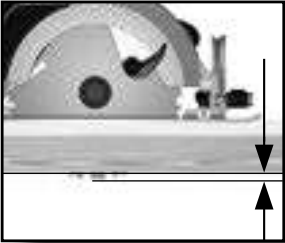


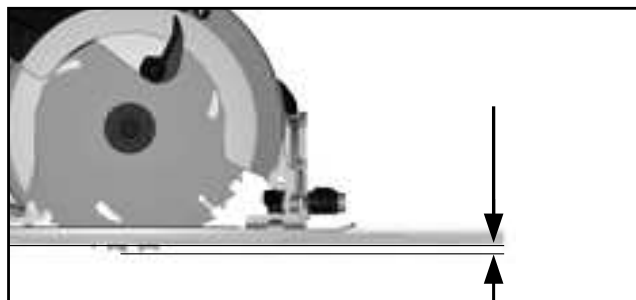
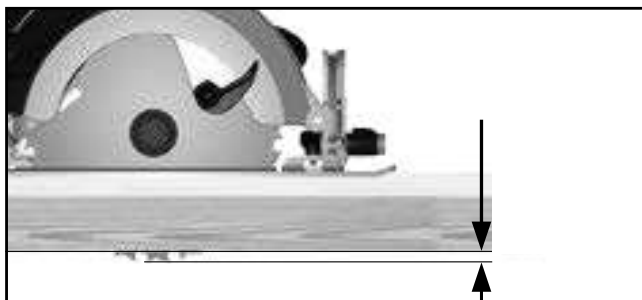
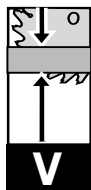
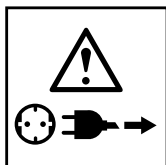
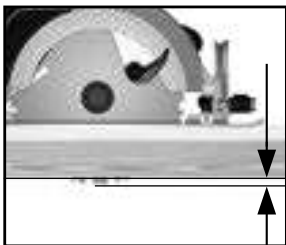
IV



Carry out a test cut
 Probeschnitt durchführen
 Effectuer une coupe d'essai
 Effettuare un taglio di prova
 Efectuar corte de prueba
 Efectuar experiências de corte
 Proefsnede maken
 Foretages et prøvesnit
 Foreta prøvekutt
 Gör ett provsnitt!
 Πραγματοποιήστε μία δοκιμαστική τομή
 Deneme kesmesi yapın
 Proved'te zkušební řez.
 Wykonać skušobný rez.
 Wykonac próbę cięcia
 Végezzen teszváágást
 Opravite preizkusni rez!
 Izvesti probno rezanje

Jāveic izmēginājuma griezumš!
 Atlikite bandomajį pjūvį!
 Teha proovilõige!
 Выполните пробный проход
 Направете пробно рязане!
 Efectuați un test de tăiere
 Да се направи пробно сечење





Adjust the cutting depth to the thickness of the workpiece. Less than a full tooth of the blade teeth should be visible below the workpiece.

Passen Sie die Schnitttiefe an die Dicke des Werkstücks an. Es sollte weniger als eine volle Zahnhöhe unter dem Werkstück sichtbar sein.

Adapter la profondeur de coupe à l'épaisseur de la pièce. Moins d'une dent complète devrait apparaître sous la pièce.

Adattare la profondità di taglio allo spessore del pezzo in lavorazione. Nella parte inferiore del pezzo in lavorazione dovrebbe essere visibile meno della completa altezza del dente.

Adaptar la profundidad de corte al grosor de la pieza de trabajo. La hoja de sierra no deberá sobresalir más de un diente de la pieza de trabajo.

Adaptar a profundidade de corte à espessura da peça a ser trabalhada. Deveria estar visível por aproximadamente menos do que uma altura de dente abaixo da peça a ser trabalhada.

Pas de zaagdiepte aan de dikte van het werkstuk aan. Er dient minder dan een volledige tandhoogte onder het werkstuk zichtbaar te zijn.

Tilpas skæredybden efter arbejdsemnets tykkelse. Der må maksimalt være en hel tandhøjde synlig under emnet.

Tilpass skjæredybden til tykkelsen på arbeidsstykket. Det skal være mindre enn en full tannhøyde synlig under arbeidsstykket.

Anpassa sågdjupet till arbetsstyckets tjocklek. Den synliga delen av en tand under arbetsstycket måste vara mindre än en hel tand.

Aseta leikkaussyvyys työkalpaleen paksuuden mukaan. Työkappaleen alla tulisi terää näkyä korkeintaan täysi hammaskorkeus.

Προσαρμόστε το βάθος κοπής στο πάχος του υπό κατεργασία τεμαχίου. Κάτω το υπό κατεργασία τεμάχιο πρέπει να φαίνεται λιγότερο από ένα ολόκληρο δόντι του πριονόδισκου.

Kesme derinligini iş parçasının kalınlığına göre ayarlayın. İş parçası altında tam diş uzunluğunun daha azı görünmelidir.

Prizpůsobte hĺoubku řezu tloušťce obrobku. Pod obrobkem by měla být viditelná méně než celá výška zubu.

Hrúbku rezu prispôsobte hrúbke obrobka. Pod obrobkom by malo byť vidieť menej pilového listu ako plnú výšku zuba píly.

Głębokość cięcia należy dopasować do grubości obrabianego przedmiotu. Powinno być widoczne mniej jak pełna wysokość zębów pod obrabianym przedmiotem.

A vágási mélységet a munkadarab vastagságának megfelelően kell megválasztani. A fűrészlapból a munkadarab alatt kevesebb mind egy teljes fogmagasságnynak kell kilátszania.

Prosimo, da globino reza prilagodite debelini obdelovanca. Znaša naj manj kot višina zoba, ki je vidna pod obdelovancem.

Prilagodite dubinu rezanja debljini izratka. Ispod izratka treba biti vidljiv manje od jedan puni zub.

Izvēlieties zāiņķānas dziļumu, kas atbilst zāiņķamā priekšmeta biezumam. Zāiņķānas dziļumam jābūt tik lielam, lai zem zāiņķamā priekšmeta redzamās asmens daļas augstums būtu mazāks par asmens zobu augstumu.

Pjovimo gylą tinkamai nustatykite pagal ruošinio storą. Ruošinio apačioje turi matytis tiek mažiau, nei per visą pjūklo danties aukštą, išlindusi disko dalis.

Kohandage lõikesügavus tooriku paksusega. Saeketas võib tooriku alt vähem kui ühe täishamba võrra välja ulatuda.

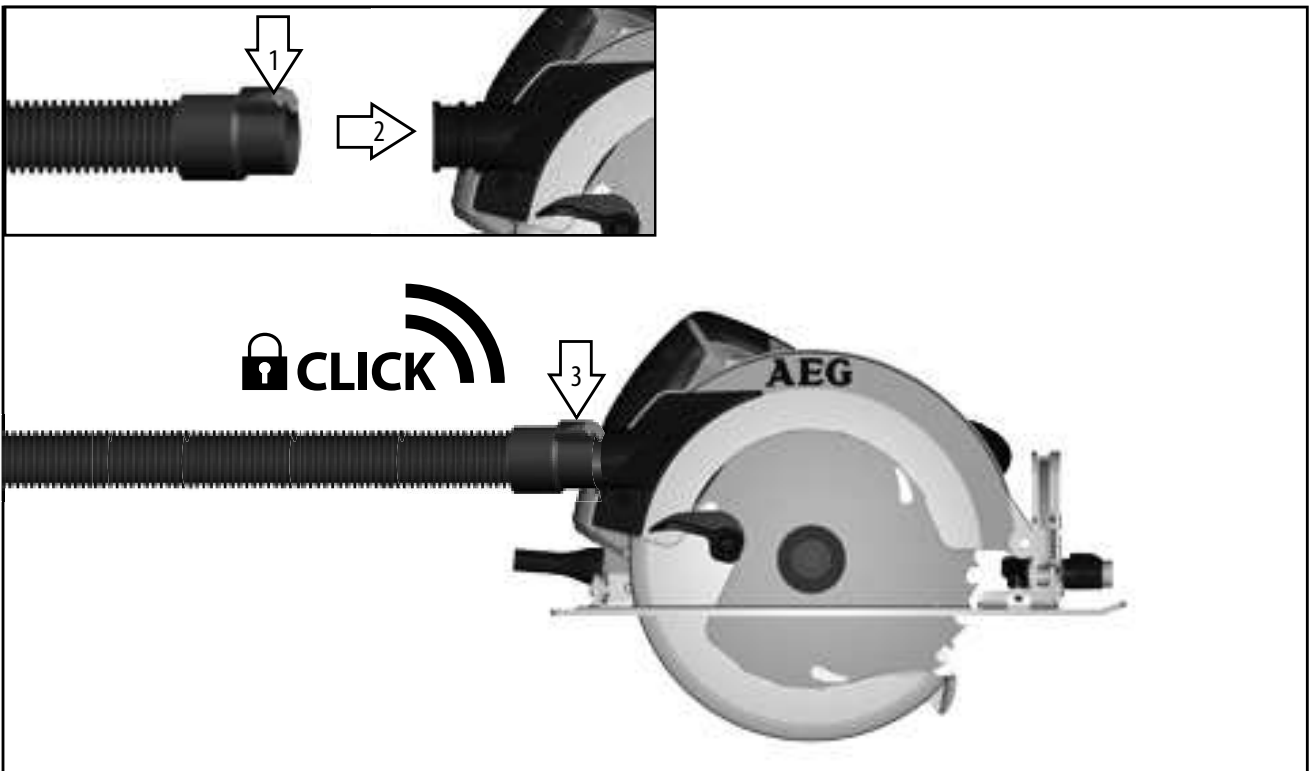
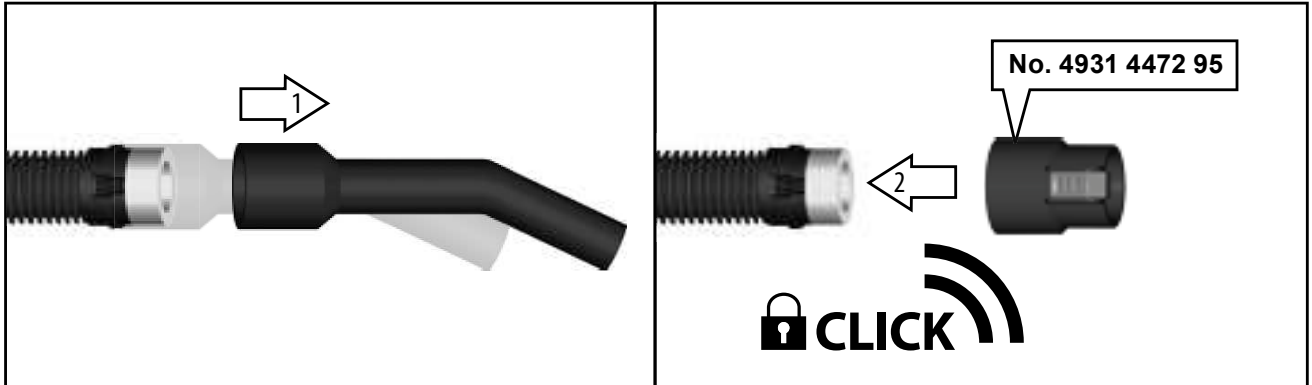
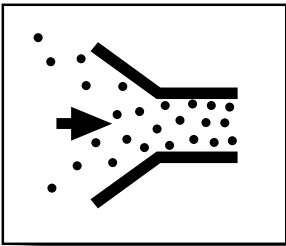
Устанавливайте глубину реза в соответствии с толщиной детали. Под деталью пильное полотно не должно высовываться более чем на один зуб.

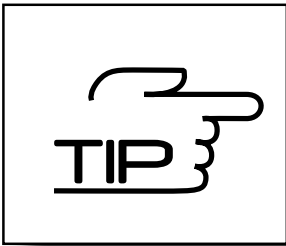
Винаги настройвайте дълбочината на рязане съобразно дебелината на стената на обработвания детайл. От обратната страна на детайла дискът трябва да се подава на разстояние, по-малко от една височина на зъба.

Adaptați adâncimea de tăiere la grosimea piesei de lucru. Sub piesa de lucru ar trebui să se vadă mai puțin de înălțimea întregă a unui dinte.

Прилагодете ја длабочината на засекот во зависност од густината на обработуваното парче. Нешто помалку од цел забец од сечилото треба да биде видлив под работното парче.

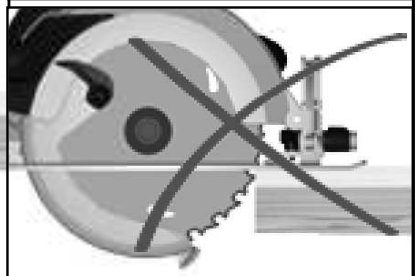
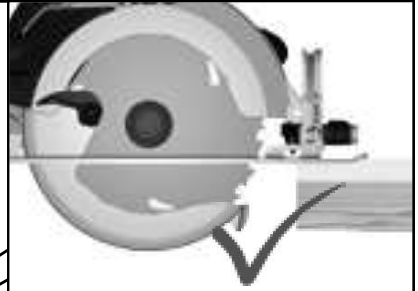
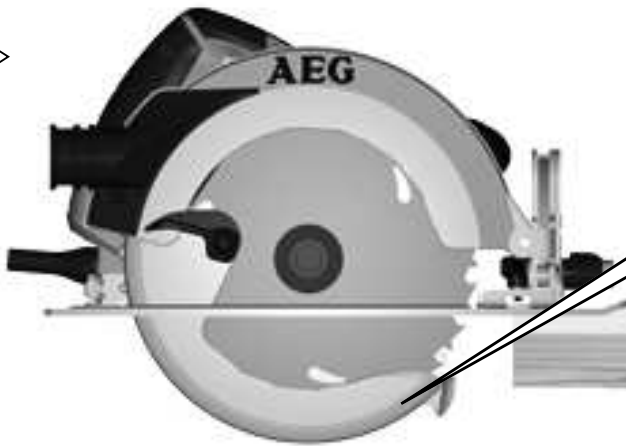
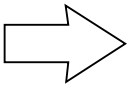
根据工件的厚度设定锯深。不可以让锯齿完全突出於工件之外。



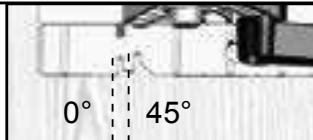
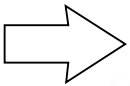


TIP
VI

1. Start

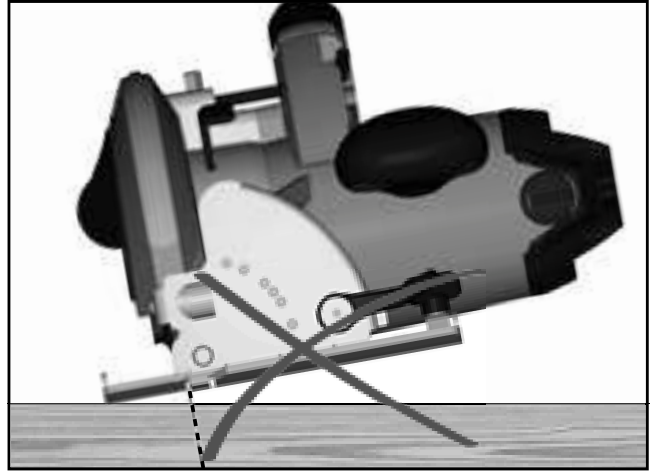
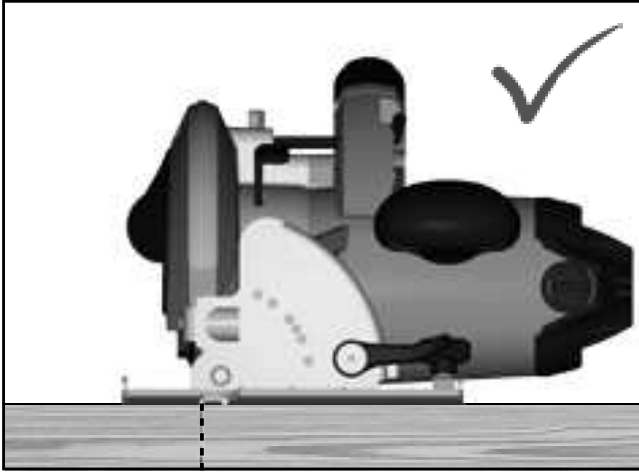
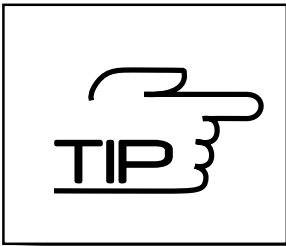



2.

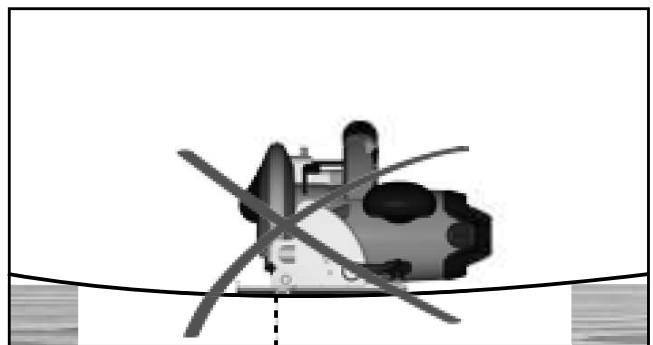
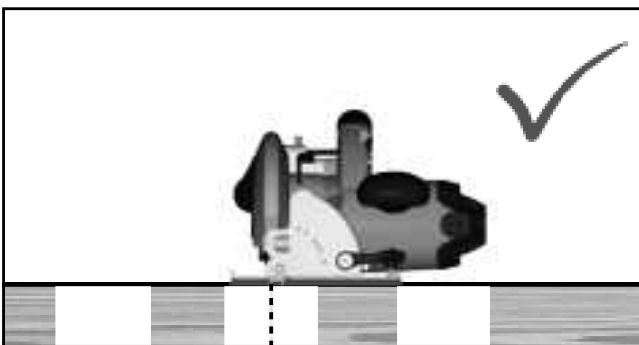
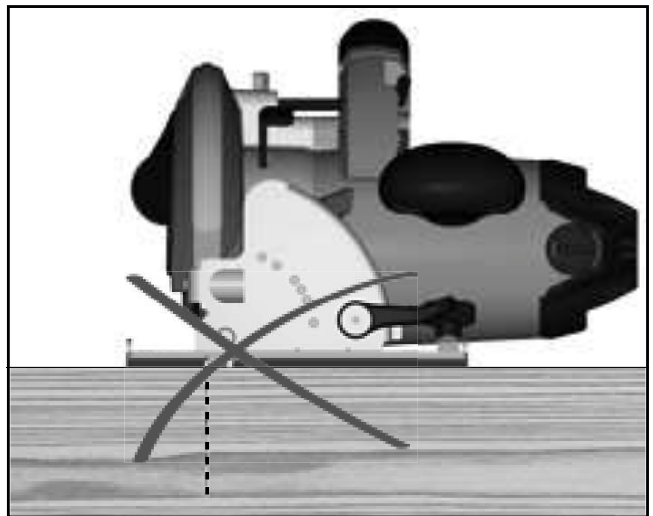
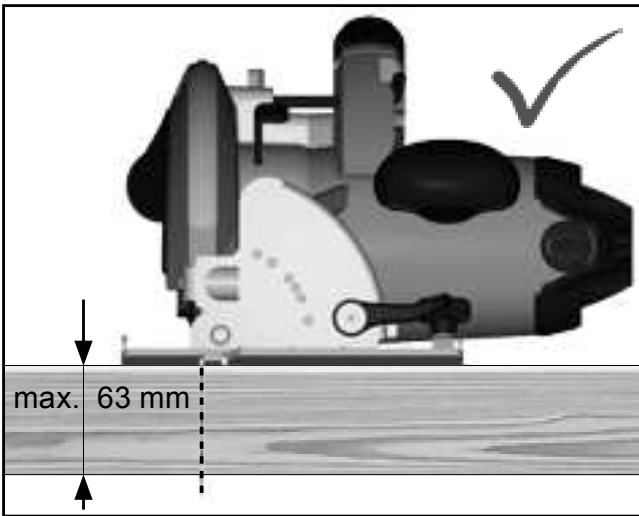


3. Stop





 TIP
VII



TECHNICAL DATA Circular saw	KS 66-2
Production code	4466 76 01 000001-999999
Rated input	1600 W
No-load speed	5800 min ⁻¹
Saw blade dia. x hole dia	190 x 30 mm
Saw blade thickness	2,2 mm
Max. height at 0° / 45° / 56°	63 / 47 / 36 mm
Weight according EPTA-Procedure 01/2003	4,8 kg
Noise/Vibration Information Measured values determined according to EN 60745. Typically, the A-weighted noise levels of the tool are:	
Sound pressure level (K=3dB(A))	92,5 dB(A)
Sound power level (K=3dB(A))	103,5 dB(A)
Wear ear protectors!	
Total vibration values (vector sum in the three axes) determined according to EN 60745.	
Sawing of wood Vibration emission value a _{h,w}	4,5 m/s ²
Uncertainty K=	1,5 m/s ²



WARNING

The vibration emission level given in this information sheet has been measured in accordance with a standardised test given in EN 60745 and may be used to compare one tool with another. It may be used for a preliminary assessment of exposure.

The declared vibration emission level represents the main applications of the tool. However if the tool is used for different applications, with different accessories or poorly maintained, the vibration emission may differ. This may significantly increase the exposure level over the total working period.

An estimation of the level of exposure to vibration should also take into account the times when the tool is switched off or when it is running but not actually doing the job. This may significantly reduce the exposure level over the total working period.

Identify additional safety measures to protect the operator from the effects of vibration such as: maintain the tool and the accessories, keep the hands warm, organisation of work patterns.



WARNING! Read all safety warnings and all instructions.

Failure to follow the warnings and instructions may result in electric shock, fire and/or serious injury.

Save all warnings and instructions for future reference.



CIRCULAR SAW SAFETY WARNINGS

Cutting procedures



DANGER: Keep hands away from cutting area and the blade. Keep your second hand on auxiliary handle, or motor housing. If both hands are holding the saw, they cannot be cut by the blade.

Do not reach underneath the workpiece. The guard cannot protect you from the blade below the workpiece.

Adjust the cutting depth to the thickness of the workpiece. Less than a full tooth of the blade teeth should be visible below the workpiece.

Never hold piece being cut in your hands or across your leg. Secure the workpiece to a stable platform. It is important to support the work properly to minimize body exposure, blade binding, or loss of control.

Hold the power tool by insulated gripping surfaces only, when performing an operation where the cutting tool may contact hidden wiring or its own cord. Contact with a "live"

wire will also make exposed metal parts of the power tool "live" and could give the operator an electric shock.

When ripping, always use a rip fence or straight edge guide. This improves the accuracy of cut and reduces the chance of blade binding.

Always use blades with correct size and shape (diamond versus round) of arbour holes. Blades that do not match the mounting hardware of the saw will run eccentrically, causing loss of control.

Never use damaged or incorrect blade washers or bolt. The blade washers and bolt were specially designed for your saw, for optimum performance and safety of operation.

Kickback causes and related warnings:– kickback is a sudden reaction to a pinched, bound or misaligned saw blade, causing an uncontrolled saw to lift up and out of the workpiece toward the operator;– when the blade is pinched or bound tightly by the kerf closing down, the blade stalls and the motor reaction drives the unit rapidly back toward the operator;

– if the blade becomes twisted or misaligned in the cut, the teeth at the back edge of the blade can dig into the top surface of the wood causing the blade to climb out of the kerf and jump back toward the operator. **Kickback is the result of saw misuse and/or incorrect operating procedures or conditions and can be avoided by taking proper precautions as given below. Maintain a firm grip with both hands on the saw and position your arms to resist kickback forces. Position your body to either side of the blade, but not in line with the blade.**

Kickback could cause the saw to jump backwards, but kickback forces can be controlled by the operator, if proper precautions are taken.

When blade is binding, or when interrupting a cut for any reason, release the trigger and hold the saw motionless in the material until the blade comes to a complete stop. Never attempt to remove the saw from the work or pull the saw backward while the blade is in motion or kickback may occur. Investigate and take corrective actions to eliminate the cause of blade binding. When restarting a saw in the workpiece, centre the saw blade in the kerf and check that saw teeth are not engaged into the material. If saw blade is binding, it may walk up or kickback from the workpiece as the saw is restarted.

Support large panels to minimise the risk of blade pinching and kickback. Large panels tend to sag under their own weight. Supports must be placed under the panel on both sides, near the line of cut and near the edge of the panel.

Do not use dull or damaged blades. Unsharpened or improperly set blades produce narrow kerf causing excessive friction, blade binding and kickback.

Blade depth and bevel adjusting locking levers must be tight and secure before making cut. If blade adjustment shifts while cutting, it may cause binding and kickback. Use extra caution when sawing into existing walls or other blind areas. The protruding blade may cut objects that can cause kickback.

Lower guard function

Check lower guard for proper closing before each use. Do not operate the saw if lower guard does not move freely and close instantly. Never clamp or tie the lower guard into the open position. If saw is accidentally dropped, lower guard may be bent. Raise the lower guard with the retracting handle and make sure it moves freely and does not touch the blade or any other part, in all angles and depths of cut. Check the operation of the lower guard spring. If the guard and the spring are not operating properly, they must be serviced before use. Lower guard may operate sluggishly due to damaged parts, gummy deposits, or a build-up of debris.

Lower guard may be retracted manually only for special cuts such as „plunge cuts“ and „compound cuts“. Raise lower guard by retracting handle and as soon as blade enters the material, the lower guard must be released. For all other sawing, the lower guard should operate automatically.

Always observe that the lower guard is covering the blade before placing saw down on bench or floor. An unprotected, coasting blade will cause the saw to walk backwards, cutting whatever is in its path. Be aware of the time it takes for the blade to stop after switch is released.

ADDITIONAL SAFETY AND WORKING INSTRUCTIONS:

Wear ear protectors. Exposure to noise can cause hearing loss.

Always wear goggles when using the machine. It is recommended to wear gloves, sturdy non slipping shoes and apron.

The dust produced when using this tool may be harmful to health. Do not inhale the dust. Use a dust absorption system and wear a suitable dust protection mask. Remove deposited dust thoroughly, e.g. with a vacuum cleaner.

Do not use saw blades not corresponding to the key data given in these instructions for use.

Please do not use abrasion disks in this machine!

Do not fix the on/off switch in the „on“ position when using the saw hand-held.

WORKING INSTRUCTIONS

Adapt the feed speed to avoid overheating the blade tips.

MAINS CONNECTION

Connect only to single-phase AC current and only to the system voltage indicated on the rating plate. It is also possible to connect to sockets without an earthing contact as the design conforms to safety class II.

Appliances used at many different locations including open air should be connected via a residual current device (FI, RCD, PRCD) of 30mA or less.

Only plug-in when machine is switched off.

Do not let any metal parts enter the airing slots - danger of short circuit!

Keep mains lead clear from working range of the machine. Always lead the cable away behind you.

Before use check machine, cable, and plug for any damages or material fatigue. Repairs should only be carried out by authorised Service Agents.

A power spike causes voltage fluctuations and may affect other electrical products in the same power line. Connect the product to a power supply with an impedance equal to 0.368 Ω to minimize voltage fluctuations.

Contact your electric power supplier for further clarification

SPECIFIED CONDITIONS OF USE

This electronic circular saw can cut lengthways and mitre accurately in wood.

EC-DECLARATION OF CONFORMITY

We declare under our sole responsibility that the product described under "Technical Data" fulfills all the relevant provisions of the directives 2011/65/EU (RoHS), 2004/108/EC, 2006/42/EC and the following harmonized standards have been used:

EN 60745-1:2009 + A11:2010

EN 60745-2-5:2010

EN 55014-1:2006 + A1:2009 + A2:2011

EN 55014-2:1997 + A1:2001 + A2:2008

EN 61000-3-2:2006 + A1:2009 + A2:2009

EN 61000-3-11:2000



Winnenden, 2014-03-03

Alexander Krug / Managing Director
Authorized to compile the technical file

Techtronic Industries GmbH
Max-Eyth-Straße 10, 71364 Winnenden, Germany



MAINTENANCE

Always disconnect the plug from the socket before carrying out any work on the machine.

Be sure to disconnect the tool from the power supply before attaching or removing the saw blade.

Clean tool and guarding system with dry cloth. Certain cleaning agents and solvents are harmful to plastics and other insulated parts.

The ventilation slots of the machine must be kept clear at all times.

Remove dust regularly. Remove the sawdust which has accumulated inside the saw in order to avoid the risk of fire.

Keep the apparatus handle clean, dry and free of spilt oil or grease.

Check the function of guards.

Regular maintenance and cleaning provide for a long service life and safe handling.

If the supply cord of this power tool is damaged, it must be replaced by a specially prepared cord available through the service organization.

Use only AEG accessories and spare parts. Should components need to be replaced which have not been described, please contact one of our AEG service agents (see our list of guarantee/service addresses).

If needed, an exploded view of the tool can be ordered. Please state the machine type printed as well as the six-digit No. on the label and order the drawing at your local service agents or directly at: Techtronic Industries GmbH, Max-Eyth-Straße 10, 71364 Winnenden, Germany.



SYMBOLS



CAUTION! WARNING! DANGER!



Please read the instructions carefully before starting the machine.



Always wear goggles when using the machine.



Wear ear protectors!



Wear a suitable dust protection mask.



Wear gloves!



Always disconnect the plug from the socket before carrying out any work on the machine.



Do not use force.



Accessory - Not included in standard equipment, available as an accessory.



Do not dispose of electric tools together with household waste material! In observance of European Directive 2002/96/EC on waste electrical and electronic equipment and its implementation in accordance with national law, electric tools that have reached the end of their life must be collected separately and returned to an environmentally compatible recycling facility.



Class II tool Tool in which protection against electric shock does not rely on basic insulation only, but in which additional safety precautions, such as double insulation or reinforced insulation, are provided. There being no provision for protective earthing or reliance upon installation conditions.



European Conformity Mark

TECHNISCHE DATEN Handkreissäge	KS 66-2
Produktionsnummer	4466 76 01 000001-999999
Nennaufnahmeleistung	1600 W
Leerlaufdrehzahl	5800 min ⁻¹
Sägeblatt- \varnothing x Bohrungs- \varnothing	190 x 30 mm
Sägeblattstärke	2,2 mm
Max. Schnitttiefe bei 0° / 45° / 56°	63 / 47 / 36 mm
Gewicht nach EPTA-Prozedur 01/2003	4,8 kg
Geräusch/Vibrationsinformation Messwerte ermittelt entsprechend EN 60745. Der A-bewertete Geräuschpegel des Gerätes beträgt typischerweise: Schalldruckpegel (K=3dB(A)) Schalleistungspegel (K=3dB(A))	92,5 dB(A) 103,5 dB(A)
Gehörschutz tragen!	
Schwingungsgesamtwerte (Vektorsumme dreier Richtungen) ermittelt entsprechend EN 60745. Sägen von Holz: Schwingungsemissionswert a _{h,w} Unsicherheit K=	4,5 m/s ² 1,5 m/s ²



WARNUNG

Der in diesen Anweisungen angegebene Schwingungspegel ist entsprechend einem in EN 60745 genormten Messverfahren gemessen worden und kann für den Vergleich von Elektrowerkzeugen miteinander verwendet werden. Er eignet sich auch für eine vorläufige Einschätzung der Schwingungsbelastung.

Der angegebene Schwingungspegel repräsentiert die hauptsächlichen Anwendungen des Elektrowerkzeugs. Wenn allerdings das Elektrowerkzeug für andere Anwendungen, mit abweichenden Einsatzwerkzeugen oder ungenügender Wartung eingesetzt wird, kann der Schwingungspegel abweichen. Dies kann die Schwingungsbelastung über den gesamten Arbeitszeitraum deutlich erhöhen.

Für eine genaue Abschätzung der Schwingungsbelastung sollten auch die Zeiten berücksichtigt werden, in denen das Gerät abgeschaltet ist oder zwar läuft, aber nicht tatsächlich im Einsatz ist. Dies kann die Schwingungsbelastung über den gesamten Arbeitszeitraum deutlich reduzieren.

Legen Sie zusätzliche Sicherheitsmaßnahmen zum Schutz des Bedieners vor der Wirkung von Schwingungen fest wie zum Beispiel: Wartung von Elektrowerkzeug und Einsatzwerkzeugen, Warmhalten der Hände, Organisation der Arbeitsabläufe.


WARNUNG! Lesen Sie alle Sicherheitshinweise und Anweisungen.

Versäumnisse bei der Einhaltung der Sicherheitshinweise und Anweisungen können elektrischen Schlag, Brand und/oder schwere Verletzungen verursachen.

Bewahren Sie alle Sicherheitshinweise und Anweisungen für die Zukunft auf.

SICHERHEITSHINWEISE FÜR HANDKREISSÄGE

Sägeverfahren

 **Gefahr: Kommen Sie mit Ihren Händen nicht in den Sägebereich und an das Sägeblatt. Halten Sie mit Ihrer zweiten Hand den Zusatzgriff oder das Motorgehäuse.** Wenn beide Hände die Kreissäge halten, kann das Sägeblatt diese nicht verletzen.

Greifen Sie nicht unter das Werkstück. Die Schutzhaube kann Sie unter dem Werkstück nicht vor dem Sägeblatt schützen.

Passen Sie die Schnitttiefe an die Dicke des Werkstücks an. Es sollte weniger als eine volle Zahnhöhe unter dem Werkstück sichtbar sein.

Halten Sie das zu sägende Werkstück niemals in der Hand oder über dem Bein fest. Sichern Sie das Werkstück an einer

stabilen Unterlage. Es ist wichtig, das Werkstück gut zu befestigen, um die Gefahr von Körperkontakt, Klemmen des Sägeblattes oder Verlust der Kontrolle zu minimieren.

Fassen Sie das Elektrowerkzeug nur an den isolierten Griffflächen an, wenn Sie Arbeiten ausführen, bei denen das Einsatzwerkzeug verborgene Stromleitungen oder das eigene Netzkabel treffen kann. Kontakt mit einer spannungsführenden Leitung setzt auch Metallteile des Elektrowerkzeuges unter Spannung und führt zu einem elektrischen Schlag.

Verwenden Sie beim Längsschneiden immer einen Anschlag oder eine gerade Kantenführung. Dies verbessert die Schnittgenauigkeit und verringert die Möglichkeit, dass das Sägeblatt klemmt.

Verwenden Sie immer Sägeblätter in der richtigen Größe und mit passender Aufnahmebohrung (z.B. sternförmig oder rund). Sägeblätter, die nicht zu den Montageteilen der Säge passen, laufen unrund und führen zum Verlust der Kontrolle.

Verwenden Sie niemals beschädigte oder falsche Sägeblatt-Unterlegscheiben oder -schrauben. Die Sägeblatt-Unterlegscheiben und -schrauben wurden speziell für Ihre Säge konstruiert, für optimale Leistung und Betriebssicherheit. Ursachen und Vermeidung eines Rückschlags:– ein Rückschlag ist die plötzliche Reaktion infolge eines hakenden,

klemmenden oder falsch ausgerichteten Sägeblattes, die dazu führt, dass eine unkontrollierte Säge abhebt und sich aus dem Werkstück heraus in Richtung der Bedienperson bewegt;— wenn sich das Sägeblatt in dem sich schließenden Sägespalt verhakt oder verklemmt, blockiert es, und die Motorkraft schlägt das Gerät in Richtung der Bedienperson zurück;

— wird das Sägeblatt im Sägeschnitt verdreht oder falsch ausgerichtet, können sich die Zähne der hinteren Sägeblattkante in der Oberfläche des Werkstücks verhaken, wodurch sich das Sägeblatt aus dem Sägespalt herausbewegt und die Säge in Richtung der Bedienperson zurückspringt. **Ein Rückschlag ist die Folge eines falschen oder fehlerhaften Gebrauchs der Säge. Er kann durch geeignete Vorsichtsmaßnahmen, wie nachfolgend beschrieben, verhindert werden. Halten Sie die Säge mit beiden Händen fest und bringen Sie Ihre Arme in eine Stellung, in der Sie den Rückschlagkräften standhalten können. Halten Sie sich immer seitlich des Sägeblattes, nie das Sägeblatt in eine Linie mit Ihrem Körper bringen.** Bei einem Rückschlag kann die Kreissäge rückwärts springen, jedoch kann die Bedienperson die Rückschlagkräfte beherrschen, wenn geeignete Maßnahmen getroffen wurden.

Falls das Sägeblatt verklemmt oder Sie die Arbeit unterbrechen, schalten Sie die Säge aus und halten Sie sie im Werkstoff ruhig, bis das Sägeblatt zum Stillstand gekommen ist. Versuchen Sie nie, die Säge aus dem Werkstück zu entfernen oder sie rückwärts zu ziehen, solange das Sägeblatt sich bewegt, sonst kann ein Rückschlag erfolgen. Ermitteln und beheben Sie die Ursache für das Verklemmen des Sägeblattes. Wenn Sie eine Säge, die im Werkstück steckt, wieder starten wollen, zentrieren Sie das Sägeblatt im Sägespalt und überprüfen Sie, ob die Sägezähne nicht im Werkstück verhakt sind. Klemmt das Sägeblatt, kann es sich aus dem Werkstück heraus bewegen oder einen Rückschlag verursachen, wenn die Säge erneut gestartet wird.

Stützen Sie große Platten ab, um das Risiko eines Rückschlags durch ein klemmendes Sägeblatt zu vermindern. Große Platten können sich unter ihrem Eigengewicht durchbiegen. Platten müssen auf beiden Seiten abgestützt werden, sowohl in Nähe des Sägespalts als auch an der Kante.

Verwenden Sie keine stumpfen oder beschädigten Sägeblätter. Sägeblätter mit stumpfen oder falsch ausgerichteten Zähnen verursachen durch einen zu engen Sägespalt eine erhöhte Reibung, Klemmen des Sägeblattes und Rückschlag.

Ziehen Sie vor dem Sägen die Schnitttiefen- und Schnittwinkleinstellungen fest. Wenn sich während des Sägens die Einstellungen verändern, kann sich das Sägeblatt verklemmen und ein Rückschlag auftreten. Seien Sie besonders vorsichtig bei „Tautschnitten“ in bestehende Wände oder andere nicht einsehbare Bereiche. Das eintauchende Sägeblatt kann beim Sägen in verborgene Objekte blockieren und einen Rückschlag verursachen.

Funktion der unteren Schutzhaube

Überprüfen Sie vor jeder Benutzung, ob die untere Schutzhaube einwandfrei schließt. Verwenden Sie die Säge nicht, wenn die untere Schutzhaube nicht frei beweglich ist und sich nicht sofort schließt. Klemmen oder binden Sie die untere Schutzhaube niemals in geöffneter Position fest. Sollte die Säge unbeabsichtigt zu Boden fallen, kann die untere Schutzhaube verbogen werden. Öffnen Sie die Schutzhaube mit dem Rückziehhelb und stellen Sie sicher, dass sie sich frei bewegt und bei allen Schnittwinkeln und -tiefen weder Sägeblatt noch andere Teile berührt. Überprüfen Sie die Funktion der Feder für die untere Schutzhaube. Lassen Sie

das Gerät vor dem Gebrauch warten, wenn untere Schutzhaube und Feder nicht einwandfrei arbeiten. Beschädigte Teile, klebrige Ablagerungen oder Anhäufungen von Spänen lassen die untere Schutzhaube verzögert arbeiten.

Öffnen Sie die untere Schutzhaube von Hand nur bei besonderen Schnitten, wie „Tauch- und Winkelschnitten“. Öffnen Sie die untere Schutzhaube mit dem Rückziehhelb und lassen Sie diesen los, sobald das Sägeblatt in das Werkstück eintaucht. Bei allen anderen Sägearbeiten muss die untere Schutzhaube automatisch arbeiten.

Legen Sie die Säge nicht auf der Werkbank oder dem Boden ab, ohne dass die untere Schutzhaube das Sägeblatt bedeckt. Ein ungeschütztes, nachlaufendes Sägeblatt bewegt die Säge entgegen der Schnittrichtung und sägt, was ihm im Weg ist. Beachten Sie dabei die Nachlaufzeit der Säge.

WEITERE SICHERHEITS- UND ARBEITSHINWEISE

Tragen Sie Gehörschutz. Die Einwirkung von Lärm kann Gehörverlust bewirken.

Beim Arbeiten mit der Maschine stets Schutzbrille tragen. Schutzhandschuhe, festes und rutschesicheres Schuhwerk und Schürze werden empfohlen.

Beim Arbeiten entstehender Staub ist oft gesundheitsschädlich und sollte nicht in den Körper gelangen. Staubabsaugung verwenden und zusätzlich geeignete Staubschutzmaske tragen. Abgelagerten Staub gründlich entfernen, z.B. Aufsaugen.

Sägeblätter, die nicht den Kenndaten in dieser Gebrauchsanweisung entsprechen, dürfen nicht verwendet werden.

Bitte keine Schleifscheiben einsetzen!

Ein-/Ausschalter im handgeführten Betrieb nicht festklemmen.

ARBEITSHINWEISE

Vermeiden Sie durch eine angepasste Vorschubgeschwindigkeit die Überhitzung der Sägeblattzähne.

NETZANSCHLUSS

Nur an Einphasen-Wechselstrom und nur an die auf dem Leistungsschild angegebene Netzspannung anschließen. Anschluss ist auch an Steckdosen ohne Schutzkontakt möglich, da ein Aufbau der Schutzklasse II vorliegt.

Steckdosen in Außenbereichen müssen mit Fehlerstrom-Schutzschaltern (FI, RCD, PRCD) ausgerüstet sein. Das verlangt die Installationsvorschrift für Ihre Elektroanlage. Bitte beachten Sie das bei der Verwendung unseres Gerätes.

Maschine nur ausgeschaltet an die Steckdose anschließen.

Wegen Kurzschlussgefahr dürfen Metallteile nicht in die Lüftungsschlitze gelangen.

Anschlusskabel stets vom Wirkungsbereich der Maschine fernhalten. Kabel immer nach hinten von der Maschine wegführen.

Vor jedem Gebrauch Gerät, Anschlusskabel, Verlängerungskabel und Stecker auf Beschädigung und Alterung kontrollieren. Beschädigte Teile nur von einem Fachmann reparieren lassen.

Kurzzeitige Spannungsspitzen verursachen Spannungsschwankungen und können andere elektrische Produkte in der gleichen Stromleitung beeinflussen. Schließen Sie das Gerät an eine Stromversorgung mit einer Impedanz von 0,368 Ω an, um Spannungsschwankungen zu minimieren.

Kontaktieren Sie Ihren Energieversorger für weitere Informationen.

BESTIMMUNGSGEMÄSSE VERWENDUNG

Die Handkreissäge ist einsetzbar zum Sägen von geradlinigen Schnitten und Gehrungsschnitten in Holz.

CE-KONFORMITÄTSERKLÄRUNG

Wir erklären in alleiniger Verantwortung, dass das unter „Technische Daten“ beschriebene Produkt mit allen relevanten Vorschriften der Richtlinie 2011/65/EU (RoHS), 2004/108/EG, 2006/42/EG und den folgenden harmonisierten normativen Dokumenten übereinstimmt:

EN 60745-1:2009 + A11:2010

EN 60745-2-5:2010

EN 55014-1:2006 + A1:2009 + A2:2011

EN 55014-2:1997 + A1:2001 + A2:2008

EN 61000-3-2:2006 + A1:2009 + A2:2009

EN 61000-3-11:2000



Winnenden, 2014-03-03

Alexander Krug / Managing Director

Bevollmächtigt die technischen Unterlagen zusammenzustellen.

Techtronic Industries GmbH

Max-Eyth-Straße 10, 71364 Winnenden, Germany

WARTUNG

Vor allen Arbeiten an der Maschine Stecker aus der Steckdose ziehen.

Stellen Sie sicher, dass das Werkzeug von der Stromversorgung getrennt ist, bevor Sie das Sägeblatt anbringen oder abnehmen.

Reinigen Sie Gerät und Schutzeinrichtung mit einem trockenen Tuch. Manche Reinigungsmittel beschädigen Kunststoff oder andere isolierte Teile.

Stets die Lüftungsschlitze der Maschine sauber halten.

Entfernen Sie regelmäßig den Staub. Entfernen Sie die im Inneren der Säge angehäuften Sägespäne, um Brandrisiken zu vermeiden.

Das Gerät sauber und trocken sowie frei von ausgetretenem Öl und Fett halten.

Überprüfen Sie die Funktion der Schutzhauben.

Regelmäßige Wartung und Reinigung sorgen für eine lange Lebensdauer und sichere Handhabung.

Ist die Anschlussleitung des Elektrowerkzeugs beschädigt, muss sie durch eine speziell vorgeschaltete Anschlussleitung ersetzt werden, die über die Kundendienstorganisation erhältlich ist.

Nur AEG Zubehör und Ersatzteile verwenden. Bauteile, deren Austausch nicht beschrieben wurde, bei einer AEG Kundendienststelle auswechseln lassen (Broschüre Garantie/Kundendienstadressen beachten).

Bei Bedarf kann eine Explosionszeichnung des Gerätes unter Angabe der Maschinen Type und der sechsstelligen Nummer auf dem Leistungsschild bei Ihrer Kundendienststelle oder direkt bei Techtronic Industries GmbH, Max-Eyth-Straße 10, 71364 Winnenden, Germany angefordert werden.

SYMBOLE



ACHTUNG! WARNUNG! GEFAHR!



Bitte lesen Sie die Gebrauchsanweisung vor Inbetriebnahme sorgfältig durch.



Beim Arbeiten mit der Maschine stets Schutzbrille tragen.



Gehörschutz tragen!



Geeignete Staubschutzmaske tragen.



Schutzhandschuhe tragen!



Vor allen Arbeiten an der Maschine Stecker aus der Steckdose ziehen.



Keine Kraft anwenden.



Zubehör - Im Lieferumfang nicht enthalten, empfohlene Ergänzung aus dem Zubehörprogramm.



Werfen Sie Elektrowerkzeuge nicht in den Hausmüll! Gemäß Europäischer Richtlinie 2002/96/EG über Elektro- und Elektronik- Altgeräte und Umsetzung in nationales Recht müssen verbrauchte Elektrowerkzeuge getrennt gesammelt und einer umweltgerechten Wiederverwertung zugeführt werden.



Elektrowerkzeug der Schutzklasse II Elektrowerkzeug, bei dem der Schutz vor einem elektrischen Schlag nicht nur von der Basisisolierung abhängt, sondern auch davon, dass zusätzliche Schutzmaßnahmen, wie doppelte Isolierung oder verstärkte Isolierung, angewendet werden. Es gibt keine Vorrichtung zum Anschluss eines Schutzleiters.



CE-Zeichen



CARACTÉRISTIQUES TECHNIQUES	
La scie circulaire	KS 66-2
Numéro de série	4466 76 01 000001-999999
Puissance nominale de réception	1600 W
Vitesse de rotation à vide	5800 min ⁻¹
∅ de la lame de scie et de son alésage	190 x 30 mm
Épaisseur de la lame de scie	2,2 mm
Profondeur de coupe max. pour 0° / 45° / 56°	63 / 47 / 36 mm
Poids suivant EPTA-Procédure 01/2003	4,8 kg
Informations sur le bruit et les vibrations Valeurs de mesure obtenues conformément à la EN 60745. Les mesures réelles (des niveaux acoustiques de l'appareil sont :	
Niveau de pression acoustique (K=3dB(A))	92,5 dB(A)
Niveau d'intensité acoustique (K=3dB(A))	103,5 dB(A)
Toujours porter une protection acoustique!	
Valeurs totales des vibrations (somme vectorielle de trois sens) établies conformément à EN 60745.	
Sciage du bois Valeur d'émission vibratoire a _{h,w}	4,5 m/s ²
Incertitude K=	1,5 m/s ²



AVERTISSEMENT

Le niveau vibratoire indiqué dans ces instructions a été mesuré selon un procédé de mesure normalisé dans la norme EN 60745 et peut être utilisé pour comparer des outils électriques entre eux. Il convient aussi à une estimation provisoire de la sollicitation par les vibrations.

Le niveau vibratoire indiqué représente les applications principales de l'outil électrique. Toutefois, si l'outil électrique est utilisé pour d'autres applications, avec des outils rapportés qui diffèrent ou une maintenance insuffisante, il se peut que le niveau vibratoire diverge. Cela peut augmenter nettement la sollicitation par les vibrations sur tout l'intervalle de temps du travail.

Pour une estimation précise de la sollicitation par les vibrations, on devrait également tenir compte des temps pendant lesquels l'appareil n'est pas en marche ou tourne sans être réellement en service. Cela peut réduire nettement la sollicitation par les vibrations sur tout l'intervalle de temps du travail.

Définissez des mesures de sécurité supplémentaires pour protéger l'utilisateur contre l'influence des vibrations, comme par exemple : la maintenance de l'outil électrique et des outils rapportés, le maintien au chaud des mains, l'organisation des déroulements de travail.


AVERTISSEMENT! Lisez toutes les consignes de sécurité et les instructions.

Le non-respect des avertissements et instructions indiqués ci après peut entraîner un choc électrique, un incendie et/ou de graves blessures sur les personnes.

Bien garder tous les avertissements et instructions.

CONSIGNES DE SÉCURITÉ POUR LA SCIE CIRCULAIRE

Procédures de coupe

 **DANGER Bien garder les mains à distance de la zone de sciage et de la lame de scie. Tenir la poignée supplémentaire ou le carter du moteur de l'autre main.** Si vous tenez la scie circulaire des deux mains, celles-ci ne peuvent pas être blessées par la lame de scie.

Ne pas passer les mains sous la pièce à travailler. Sous la pièce à travailler, le capot de protection ne peut pas vous protéger de la lame de scie.

Adapter la profondeur de coupe à l'épaisseur de la pièce. Moins d'une dent complète devrait apparaître sous la pièce.

Ne jamais tenir la pièce à scier dans la main ou par-dessus la jambe. Fixer la pièce sur un support stable. Il est important

de bien fixer la pièce, afin de réduire au minimum les dangers causés par le contact physique, quand la lame de scie se coince ou lorsqu'on perd le contrôle.

Tenir l'outil uniquement par les surfaces de préhension isolantes, pendant les opérations au cours desquelles l'accessoire coupant peut être en contact avec des conducteurs cachés ou avec son propre câble. Le contact de l'accessoire coupant avec un fil « sous tension » peut également mettre « sous tension » les parties métalliques exposées de l'outil électrique et provoquer un choc électrique sur l'opérateur.

Toujours utiliser une butée ou un guidage droit de bords pour des coupes longitudinales. Ceci améliore la précision de la coupe et réduit le danger de voir la lame de scie se coincer.

Toujours utiliser des lames de scie de la bonne taille qui ont une forme appropriée à l'alésage de fixation (par ex. en étoile ou rond). Les lames de scie qui ne conviennent pas aux parties montées de la scie sont comme voilées et entraînent une perte de contrôle.

Ne jamais utiliser de rondelles ou de vis endommagées ou qui ne conviennent pas à la lame de scie. Les rondelles et vis pour la lame de scie ont spécialement été construites pour votre scie, pour une performance et une sécurité de fonctionnement optimales. Causes de contrecoups et comment les éviter:- un contrecoup est une réaction soudaine d'une lame de

scie qui est restée accrochée, qui s'est coincée ou qui est mal orientée qui fait que la scie incontrôlée sort de la pièce à travailler et se dirige vers la personne travaillant avec l'appareil; -si la lame de scie reste accrochée ou se coince dans la fente sciée qui se ferme, elle se bloque et la force du moteur entraîne l'appareil vers la personne travaillant avec l'appareil;

-si la lame de scie est tordue ou mal orientée dans le tracé de la coupe, les dents du bord arrière de la lame de scie risquent de se coincer dans la surface de la pièce, ce qui fait que la lame de scie saute brusquement de la fente et qu'elle est propulsée vers l'arrière où se trouve la personne travaillant avec l'appareil. **Un contrecoup est la suite d'une mauvaise utilisation ou une utilisation incorrecte de la scie. Il peut être évité en prenant les mesures de précaution comme elles sont décrites ci-dessous. Bien tenir la scie des deux mains et mettre vos bras dans une position vous permettant de résister à des forces de contrecoup. Toujours positionner votre corps latéralement à la lame de scie, ne jamais positionner la lame de scie de façon qu'elle fasse une ligne avec votre corps.** Lors d'un contrecoup, la scie circulaire risque d'être propulsée vers l'arrière, la personne travaillant avec l'appareil peut cependant contrôler les forces de contrecoup, quand des mesures appropriées ont été prises au préalable.

Si la lame de scie se coince ou que l'opération de sciage est interrompue pour une raison quelconque, lâcher l'interrupteur Marche/ Arrêt et tenir la scie dans la pièce sans bouger, jusqu'à ce que la lame de scie se soit complètement arrêtée. Ne jamais essayer de sortir la scie de la pièce ou de la tirer vers l'arrière tant que la lame de scie bouge ou qu'un contrecoup pourrait se produire. Déterminer la cause pour laquelle la scie s'est coincée et en remédier au problème. Si une scie qui s'est bloquée dans une pièce, doit être remise en marche, centrer la lame de scie dans la fente et contrôler que les dents de la scie ne soient pas restées accrochées dans la pièce. Si la lame de scie est coincée, elle peut sortir de la pièce ou causer un contrecoup quand la scie est remise en marche.

Soutenir des grands panneaux afin d'éliminer le risque d'un contrecoup causé par une lame de scie coincée. Les grands panneaux risquent de s'arquer sous leur propre poids. Les panneaux doivent être soutenus des deux côtés par des supports, près de la fente de scie ainsi qu'aux bords des panneaux.

Ne pas utiliser de lames de scie émoussées ou endommagées. Les lames de scie dont les dents sont émoussées ou mal orientées entraînent une fente trop étroite et par conséquent une friction élevée, un coinçage de la lame de scie et un contrecoup.

Resserrer les réglages de la profondeur de coupe ainsi que de l'angle de coupe avant le sciage. La lame de scie risque de se coincer et un contrecoup de se produire si les réglages se modifient lors de l'opération de sciage. Faire preuve d'une prudence particulière lorsqu'une „coupe en plongée“ est effectuée dans un endroit caché, par ex. un mur. Lors du sciage, la lame de scie plongeante risque de scier des objets cachés et de causer un contrecoup.

Fonction du capot de protection inférieur

Contrôler avant chaque utilisation que le capot inférieur de protection ferme parfaitement. Ne pas utiliser la scie quand le capot inférieur de protection ne peut pas librement bouger et ne se ferme pas tout de suite. Ne jamais coincer ou attacher le capot inférieur de protection dans le but de la laisser dans sa position ouverte. Si, par mégarde, la scie tombe par terre, le capot inférieur de protection risque d'être déformé. Ouvrir le capot de protection à l'aide du levier et s'assurer

qu'il peut encore bouger librement et ne touche ni la lame de scie ni d'autres éléments de l'appareil, et ceci pour tous les angles de coupe ainsi que pour toutes les profondeurs de coupe. Contrôler le bon fonctionnement du ressort du capot inférieur de protection. Faire effectuer un entretien de l'appareil avant de l'utiliser, si le capot inférieur de protection et le ressort ne travaillent pas impeccablement. Les parties endommagées, des restes de colle ou des accumulations de copeaux font que le capot inférieur de protection travaille plus lentement.

N'ouvrir le capot inférieur de protection manuellement que pour des coupes spéciales telles que les „coupes en plongée et coupes angulaires“. Ouvrir le capot inférieur de protection à l'aide du levier et le lâcher dès que la lame de scie soit entrée dans la pièce. Pour toutes les autres opérations de sciage, le capot inférieur de protection doit travailler automatiquement.

Ne pas placer la scie sur l'établi ou le sol sans que le capot inférieur de protection couvre la lame des scie. Une lame de scie non protégée et qui n'est pas encore à l'arrêt total fait bouger la scie dans le sens contraire à la direction de coupe et scie tout ce qui est sur son chemin. Tenir compte du temps de ralentissement de la scie.

AVIS COMPLÉMENTAIRES DE SÉCURITÉ ET DE TRAVAIL

Portez une protection acoustique. L'exposition au bruit pourrait provoquer une diminution de l'ouïe.

Toujours porter des lunettes protectrices en travaillant avec la machine. Des gants de sécurité, des chaussures solides et à semelles antidérapantes et un tablier sont recommandés.

Les poussières dégagées lors du travail sont souvent nocives et ne devraient pas pénétrer dans le corps. Utiliser un dispositif d'aspiration de poussières et porter en plus un masque de protection approprié. Éliminer soigneusement les dépôts de poussières, p. ex. en les aspirant au moyen d'un système d'aspiration de copeaux.

Ne pas utiliser de lames de scie qui ne correspondent pas aux caractéristiques indiquées dans ces instructions d'utilisation.

Ne pas utiliser de disques de meulage!

Ne pas bloquer le commutateur de marche/arrêt lorsque la scie se trouve en guidage manuel.

CONSIGNES DE TRAVAIL

Conformer la vitesse d'avancement afin d'éviter la surchauffe des dents de la lame.

BRANCHEMENT SECTEUR

Raccorder uniquement à un courant électrique monophasé et uniquement à la tension secteur indiquée sur la plaque signalétique. Le raccordement à des prises de courant sans contact de protection est également possible car la classe de protection II est donnée.

Les prises de courant se trouvant à l'extérieur doivent être équipées de disjoncteurs différentiel (FI, RCD, PRCD) conformément aux prescriptions de mise en place de votre installation électrique. Veuillez en tenir compte lors de l'utilisation de notre appareil.

Ne raccorder la machine au réseau que si l'interrupteur est en position arrêt.

En raison de risques de court-circuit, veiller à ce qu'aucune pièce métallique ne pénètre dans les ouïes de ventilation.

Le câble d'alimentation doit toujours se trouver en dehors du champ d'action de la machine. Toujours maintenir le câble d'alimentation à l'arrière de la machine.



Avant toute utilisation, vérifier que la machine, le câble d'alimentation, le câble de rallonge et la fiche ne sont pas endommagés ni usés. Le cas échéant, les faire remplacer par un spécialiste. Une surconsommation temporaire provoque des variations de tension susceptibles d'affecter les autres appareils électriques branchés sur la même ligne d'alimentation. Branchez le produit sur une source d'alimentation électrique dont l'impédance est égale à 0.368Ω afin de minimiser les variations de tension.

Contactez votre compagnie de distribution d'électricité pour de plus amples informations.

UTILISATION CONFORME AUX PRESCRIPTIONS

La scie circulaire réalise des coupes longitudinales dans le bois.

DECLARATION CE DE CONFORMITÉ

Nous déclarons sous notre propre responsabilité que le produit décrit aux „Données techniques“ est conforme à toutes les dispositions des directives 2011/65/EU (RoHS), 2004/108/CE, 2006/42/CE et des documents normatifs harmonisés suivants:

EN 60745-1:2009 + A11:2010

EN 60745-2-5:2010

EN 55014-1:2006 + A1:2009 + A2:2011

EN 55014-2:1997 + A1:2001 + A2:2008

EN 61000-3-2:2006 + A1:2009 + A2:2009

EN 61000-3-11:2000



Winnenden, 2014-03-03

Alexander Krug / Managing Director
Autorisé à compiler la documentation technique.

Techtronic Industries GmbH
Max-Eyth-Straße 10, 71364 Winnenden, Germany

ENTRETIEN

Avant tous travaux sur la machine extraire la fiche de la prise de courant.

Assurez-vous de débrancher l'outil du secteur avant de monter ou de démonter la lame de scie.

Nettoyer l'appareil et le dispositif de protection avec un chiffon sec. Certains détergents endommagent les matériaux synthétiques ou d'autres parties isolantes.

Tenir toujours propres les orifices de ventilation de la machine.

Enlever régulièrement la poussière. Éliminez les sciures accumulées à l'intérieur de la scie afin d'éviter tout risque d'incendie.

Maintenir l'appareil nettoyé, sec et libre d'huiles et graisses écoulées.

Contrôler le fonctionnement des protecteurs.

Un entretien et un nettoyage réguliers permettent une longue vie utile et un emploi sûr.

En cas d'endommagement du câble d'alimentation de l'outil électrique, le câble devra être remplacé par un câble d'alimentation approprié disponible chez l'organisation d'assistance technique.

N'utiliser que des pièces et accessoires AEG. Pour des pièces dont l'échange n'est pas décrit, s'adresser de préférence aux stations de service après-vente AEG (voir brochure Garantie/Adresses des stations de service après-vente).

En cas de besoin il est possible de demander un dessin éclaté du dispositif en indiquant le modèle de la machine et le numéro de six chiffres imprimé sur la plaquette de puissance et en s'adressant au centre d'assistance technique ou directement à Techtronic Industries GmbH, Max-Eyth-Straße 10, 71364 Winnenden, Germany.

SYMBOLES



ATTENTION! AVERTISSEMENT! DANGER!



Veillez lire avec soin le mode d'emploi avant la mise en service



Toujours porter des lunettes protectrices en travaillant avec la machine.



Toujours porter une protection acoustique!



Porter un masque de protection approprié contre les poussières.



Porter des gants de protection!



Avant tous travaux sur la machine extraire la fiche de la prise de courant.



Ne pas appliquer de la force.



Accessoires - Ces pièces ne font pas partie de la livraison. Il s'agit là de compléments recommandés pour votre machine et énumérés dans le catalogue des accessoires.



Ne pas jeter les appareils électriques dans les ordures ménagères! Conformément à la directive européenne 2002/96/EG relative aux déchets d'équipements électriques ou électroniques (DEEE), et à sa transposition dans la législation nationale, les appareils électriques doivent être collectés à part et être soumis à un recyclage respectueux de l'environnement.



Outil électrique en classe de protection II Outil électrique équipé d'une protection contre la fulguration électrique qui ne dépend seulement de l'isolation de base mais aussi de l'application d'autres mesures de protection telles qu'une double isolation ou une isolation augmentée. La connexion d'un conducteur de protection n'est pas prédisposée.



Marque CE

DATI TECNICI Sega circolare	KS 66-2
Numero di serie	4466 76 01 000001-999999
Potenza assorbita nominale	1600 W
Numero di giri a vuoto	5800 min ⁻¹
Diametro lama x foro lama	190 x 30 mm
spessore lama sega	2,2 mm
Profondità di taglio max. a 0° / 45° / 56°	63 / 47 / 36 mm
Peso secondo la procedura EPTA 01/2003.	4,8 kg
Informazioni sulla rumorosità/sulle vibrazioni Valori misurati conformemente alla norma EN 60745. La misurazione A del livello di pressione acustica dell'utensile è di solito di: Livello di rumorosità (K=3dB(A)) Potenza della rumorosità (K=3dB(A))	92,5 dB(A) 103,5 dB(A)
Utilizzare le protezioni per l'udito!	
Valori totali delle oscillazioni (somma di vettori in tre direzioni) misurati conformemente alla norma EN 60745 Segatura di legno Valore di emissione dell'oscillazione a _{h,w} Incertezza della misura K=	4,5 m/s ² 1,5 m/s ²



AVVERTENZA

Il livello di vibrazioni indicato nelle presenti istruzioni è stato misurato in conformità con un procedimento di misurazione codificato nella EN 60745 e può essere utilizzato per un confronto tra attrezzi elettrici. Inoltre si può anche utilizzare per una valutazione preliminare della sollecitazione da vibrazioni.

Il livello di vibrazioni indicato rappresenta le applicazioni principali dell'attrezzo elettrico. Se viceversa si utilizza l'attrezzo elettrico per altri scopi, con accessori differenti o con una manutenzione insufficiente, il livello di vibrazioni può risultare diverso. E questo può aumentare decisamente la sollecitazione da vibrazioni lungo l'intero periodo di lavorazione.

Ai fini di una valutazione precisa della sollecitazione da vibrazioni si dovrebbero tenere presente anche i periodi in cui l'apparecchio rimane spento oppure, anche se acceso, non viene effettivamente utilizzato. Ciò può ridurre notevolmente la sollecitazione da vibrazioni lungo l'intero periodo di lavorazione.

Stabilite misure di sicurezza supplementari per la tutela dell'operatore dall'effetto delle vibrazioni, come ad esempio: manutenzione dell'attrezzo elettrico e degli accessori, riscaldamento delle mani, organizzazione dei processi di lavoro.


AVVERTENZA! E' necessario leggere tutte le indicazioni di sicurezza e le istruzioni.

In caso di mancato rispetto delle avvertenze di pericolo e delle istruzioni operative si potrà creare il pericolo di scosse elettriche, incendi e/o incidenti gravi.

Conservare tutte le avvertenze di pericolo e le istruzioni operative per ogni esigenza futura.

NORME DI SICUREZZA PER SEGA CIRCOLARE

Processo di taglio

 **PERICOLO: Mai avvicinare le mani alla zona operativa e neppure alla lama di taglio. Utilizzare la seconda mano per afferrare l'impugnatura supplementare oppure la carcassa del motore.** Afferrando la sega circolare con entrambe le mani, la lama di taglio non potrà costituire una fonte di pericolo per le stesse.

Mai afferrare con le mani la parte inferiore del pezzo in lavorazione. Nella zona al di sotto del pezzo in lavorazione la calotta di protezione non presenta alcuna protezione contro la lama di taglio.

Adattare la profondità di taglio allo spessore del pezzo in lavorazione. Nella parte inferiore del pezzo in lavorazione dovreb-

be essere visibile meno della completa altezza del dente.

Mai tenere con le mani il pezzo in lavorazione che si intende tagliare e neppure appoggiarlo sulla gamba. Assicurare il pezzo in lavorazione su una base di sostegno che sia stabile. Per ridurre al minimo possibile il pericolo di un contatto con il corpo, la possibilità di un blocco della lama di taglio oppure la perdita del controllo, è importante fissare bene il pezzo in lavorazione.

Quando si eseguono lavori in cui vi è pericolo che l'accessorio impiegato possa arrivare a toccare cavi elettrici nascosti oppure anche il cavo elettrico della macchina stessa, tenere l'elettro utensile afferrandolo sempre alle superfici di impugnatura isolate. Un contatto con un cavo elettrico mette sotto tensione anche le parti in metallo dell'elettro utensile e provoca quindi una scossa elettrica.

In caso di taglio longitudinale utilizzare sempre una battuta oppure una guida angolare diritta. In questo modo è possibile migliorare la precisione del taglio riducendo il pericolo che la lama di taglio possa incepparsi.

Utilizzare sempre lame per segatrice che abbiano la misura corretta ed il foro di montaggio adatto (p.es. a stella oppure rotondo). In caso di lame per segatrice inadatte ai relativi pezzi di montaggio non hanno una rotazione perfettamente circolare e comportano il pericolo di una perdita del controllo.

Mai utilizzare rondelle oppure viti per lama di taglio che non dovessero essere in perfetto stato o che non dovessero essere adatte. Le rondelle e le viti per lama di taglio sono appositamente previste per la Vostra segatrice e sono state realizzate per raggiungere ottimali prestazioni e massima sicurezza di utilizzo. Possibile causa ed accorgimenti per impedire un contraccolpo: - Un contraccolpo è la reazione improvvisa provocata da una lama di taglio rimasta agganciata, che si blocca oppure che non è stata regolata correttamente comportando un movimento incontrollato della sega che sbalza dal pezzo in lavorazione e si sposta in direzione dell'operatore. - Quando la lama di taglio rimane agganciata oppure si inceppa nella fessura di taglio che si restringe, si provoca un blocco e la potenza del motore fa balzare la macchina indietro in direzione dell'operatore;

- Torcendo la lama nella fessura di taglio oppure regolandola in maniera non appropriata vi è il pericolo che i denti del bordo posteriore della lama restano agganciati nella superficie del pezzo in lavorazione provocando una reazione della lama di taglio che sbalza dalla fessura di taglio e la segatrice salta indietro in direzione dell'operatore. **Un contraccolpo è la conseguenza di un utilizzo non appropriato oppure non corretto della sega. Esso può essere evitato soltanto prendendo misure adatte di sicurezza come dalla descrizione che segue. Tenere la sega ben ferma afferrandola con entrambe le mani e portare le braccia in una posizione che Vi permetta di resistere bene alla forza di contraccolpi. Tenere sempre una posizione laterale rispetto alla lama di taglio e mai mettere la lama di taglio in una linea con il Vostro corpo.** In caso di un contraccolpo la sega circolare può balzare all'indietro; comunque, prendendo delle misure adatte l'operatore può essere in grado di controllare il contraccolpo.

Nel caso in cui la lama di taglio dovesse incepparsi oppure per un qualunque altro motivo l'operazione di taglio con la segatrice dovesse essere interrotta, rilasciare l'interruttore di avvio/arresto e tenere la segatrice in posizione nel materiale fino a quando la lama di taglio non si sarà fermata completamente. Non tentare mai di togliere la segatrice dal pezzo in lavorazione e neppure tirarla all'indietro fintanto che la lama di taglio si muove oppure vi dovesse essere ancora la possibilità di un contraccolpo. Individuare la possibile causa del blocco della lama di taglio ed eliminarla attraverso interventi adatti. Volendo avviare nuovamente una segatrice che ancora si trova nel pezzo in lavorazione, centrare la lama nella fessura di taglio ed accertarsi che la dentatura della segatrice non sia rimasta agganciata nel pezzo in lavorazione. Una lama di taglio inceppata può balzare fuori dal pezzo in lavorazione oppure provocare un contraccolpo nel momento in cui si avvia nuovamente la segatrice.

Per eliminare il rischio di un contraccolpo dovuto al blocco di una lama di taglio, assicurare bene pannelli di dimensioni maggiori. Pannelli di dimensioni maggiori possono piegarsi sotto il peso proprio. In caso di pannelli è necessario munirli di supporti adatti su entrambi i lati, sia in vicinanza della fessura di taglio che a margine.

Non utilizzare mai lame per segatrice che non siano più affilate oppure il cui stato generale non dovesse essere più perfetto. Lame per segatrice non più affilate oppure deformate implicano un maggiore attrito nella fessura di taglio aumentando il pericolo di blocchi e di contraccolpi della lama di taglio.

Prima di eseguire l'operazione di taglio, determinare la profondità e l'angolatura del taglio. Se durante l'operazione di taglio si modificano le registrazioni è possibile che la lama di taglio si blocchi e che si abbia un contraccolpo. Si prega di operare con particolare attenzione quando si è in procinto di eseguire un „taglio dal centro“ in

una zona nascosta come potrebbe per esempio essere una parete. La lama di taglio che inizia il taglio su oggetti nascosti può bloccarsi e provocare un contraccolpo.

Funzione della cappa protettiva inferiore

Prima di ogni intervento operativo accertarsi che la calotta di protezione chiuda perfettamente. Non utilizzare la segatrice in caso non fosse possibile muovere liberamente la calotta di protezione inferiore e non potesse essere chiusa immediatamente. Mai bloccare oppure legare la calotta di protezione inferiore in posizione aperta. Se la segatrice dovesse accidentalmente cadere a terra è possibile che la calotta di protezione inferiore subisca una deformazione. Operando con la leva di ritorno, aprire la calotta di protezione ed accertarsi che possa muoversi liberamente in ogni angolazione e profondità di taglio senza toccare né lama né nessun altro pezzo. Controllare il funzionamento della molla per la calotta di protezione inferiore. Qualora la calotta di protezione e la molla non dovessero funzionare correttamente, sottoporre la macchina ad un servizio di manutenzione prima di utilizzarla. Componenti danneggiati, depositi di sporcizia appiccicosi oppure accumuli di trucioli comportano una riduzione della funzionalità della calotta inferiore di protezione.

Aprire manualmente la calotta inferiore di protezione solo in caso di tagli particolari come potrebbero essere „tagli dal centro e tagli ad angolo“. Aprire la calotta inferiore di protezione mediante la leva di ritorno e rilasciare questa non appena la lama di taglio sarà penetrata nel pezzo in lavorazione. Nel caso di ogni altra operazione di taglio la calotta inferiore di protezione deve funzionare automaticamente.

Non poggiare la segatrice sul banco di lavoro oppure sul pavimento se la calotta inferiore di protezione non copre completamente la lama di taglio. Una lama di taglio non protetta ed ancora in fase di arresto sposta la segatrice in senso contrario a quello della direzione di taglio e taglia tutto ciò che incontra. Tenere quindi sempre in considerazione la fase di arresto della segatrice.

ULTERIORI AVVISI DI SICUREZZA E DI LAVORO

Indossare protezioni acustiche adeguate. L'esposizione al rumore potrebbe comportare una riduzione dell'udito.

Durante l'uso dell'apparecchio utilizzare sempre gli occhiali di protezione. Inoltre si consiglia di usare sistemi di protezione per la respirazione e per l'udito, oltre ai guanti di protezione.

La polvere provocata durante la lavorazione con questo utensile può essere dannosa alla salute e per questo motivo non devono entrare in contatto con il corpo. Usare un sistema d'aspirazione polvere e indossare una maschera di protezione dalla polvere. Rimuovere i depositi di polvere, per esempio con un aspiratore.

Non utilizzare lame non corrispondenti alle specifiche riportate in queste istruzioni d'uso.

Per favore non utilizzare dischi abrasivi

Non bloccare l'interruttore durante il funzionamento manuale.

ISTRUZIONI DI LAVORO

Adeguare la velocità di avanzamento per evitare il surriscaldamento dei denti della lama.

COLLEGAMENTO ALLA RETE

Connettere solo corrente alternata mono fase e solo al sistema di voltaggio indicato sulla piastra. È possibile anche connettere

la presa senza un contatto di messa a terra così come prevede lo schema conforme alla norme di sicurezza di classe II.

Gli apparecchi mobili usati all'aperto devono essere collegati interponendo un interruttore di sicurezza (FI, RCD, PRCD) per guasti di corrente.

Inserire la spina solo con interruttore su posizione „OFF“.

Non lasciare che nessuna parte metallica venga a contatto con l'apertura dell'areazione - pericolo di corto circuito

Tenere sempre lontano il cavo di collegamento dall'area di lavoro dell'attrezzo.

Prima di ogni utilizzo controllare che il cavo di alimentazione, eventuali prolunghe e la spina siano integre e senza danni. Eventualmente parti danneggiate devono essere controllate e riparate da un tecnico.

Sovratensioni potrebbero influenzare altri prodotti elettrici collegati alla stessa presa. Collegare il prodotto a una presa dell'alimentazione con una impedenza pari a 0.368 Ω per minimizzare le fluttuazioni di voltaggio.

Contattare il proprio fornitore elettrico per avere maggiori chiarificazioni.

UTILIZZO CONFORME

Sega circolare portatile per effettuare tagli obliqui e longitudinali nel legno.

DICHIARAZIONE DI CONFORMITÀ CE

Dichiariamo sotto la nostra esclusiva responsabilità che il prodotto descritto ai „Dati tecnici“ corrisponde a tutte le disposizioni delle direttive 2011/65/EU (RoHS), 2004/108/CE, 2006/42/CE e successivi documenti normativi armonizzati:

EN 60745-1:2009 + A11:2010

EN 60745-2-5:2010

EN 55014-1:2006 + A1:2009 + A2:2011

EN 55014-2:1997 + A1:2001 + A2:2008

EN 61000-3-2:2006 + A1:2009 + A2:2009

EN 61000-3-11:2000



Winnenden, 2014-03-03

Alexander Krug / Managing Director
Autorizzato alla preparazione della documentazione tecnica

Techtronic Industries GmbH
Max-Eyth-Straße 10, 71364 Winnenden, Germany

MANUTENZIONE

Prima di effettuare qualsiasi lavoro sulla macchina togliere la spina dalla presa di corrente.

Assicurarsi di aver scollegato l'utensile dall'alimentazione prima di collegarlo o prima di rimuovere la lama.

Pulire l'apparecchio ed il dispositivo di protezione con un panno asciutto. Alcuni detergenti danneggiano materiali sintetici o altre parti isolanti.

Tener sempre ben pulite le fessure di ventilazione dell'apparecchio.

Eliminare regolarmente la polvere. Eliminare i trucioli accumulati all'interno della sega, onde evitare pericoli d'incendio.

Tenere l'apparecchio pulito ed asciutto, nonché libero da oli e grassi fuoriusciti.

Controllare il funzionamento delle cuffie di protezione.

Una regolare manutenzione e pulizia permettono una lunga vita utile ed un uso sicuro.

In caso di danneggiamento del cavo di alimentazione dell'utensile elettrico, il cavo dovrà essere sostituito con apposito cavo di alimentazione disponibile presso l'organizzazione di assistenza tecnica.

Utilizzare esclusivamente accessori e pezzi di ricambio AEG. L'installazione di pezzi di ricambio non specificamente prescritti dall'AEG va preferibilmente effettuata dal servizio di assistenza clienti AEG (ved. opuscolo Garanzia/Indirizzi Assistenza tecnica).

In caso di necessità è possibile richiedere un disegno esploso del dispositivo indicando il modello della macchina ed il numero a sei cifre sulla targa di potenza rivolgendosi al centro di assistenza tecnica o direttamente a Techtronic Industries GmbH, Max-Eyth-Straße 10, 71364 Winnenden, Germany.

SIMBOLI



ATTENZIONE! AVVERTENZA! PERICOLO!



Leggere attentamente le istruzioni per l'uso prima di mettere in funzione l'elettro utensile.



Durante l'uso dell'apparecchio utilizzare sempre gli occhiali di protezione.



Utilizzare le protezioni per l'udito!



Portare un'adeguata mascherina protettiva.



Indossare guanti protettivi!



Prima di effettuare qualsiasi lavoro sulla macchina togliere la spina dalla presa di corrente.



Non applicare forza.



Accessorio - Non incluso nella dotazione standard, disponibile a parte come accessorio.



Non gettare le apparecchiature elettriche tra i rifiuti domestici. Secondo la Direttiva Europea 2002/96/CE sui rifiuti di apparecchiature elettriche ed elettroniche e la sua attuazione in conformità alle norme nazionali, le apparecchiature elettriche esauste devono essere accolte separatamente, al fine di essere reimpiegate in modo eco-compatibile.



Utensile elettrico di classe di protezione II Utensile elettrico sul quale la protezione contro la folgorazione elettrica non dipende soltanto dall'isolamento di base, ma anche dall'applicazione di ulteriori misure di protezione, come il doppio isolamento o l'isolamento maggiorato. Non è predisposto il collegamento di un conduttore di protezione.



Marchio CE



DATOS TÉCNICOS sierra circular	KS 66-2
Número de producción	4466 76 01 000001-999999
Potencia de salida nominal	1600 W
Velocidad en vacío	5800 min ⁻¹
Disco de sierra - ø x orificio ø	190 x 30 mm
grueso de las hojas de la sierra	2,2 mm
Profundidad máxima de corte a 0° / 45° / 56°	63 / 47 / 36 mm
Peso de acuerdo con el procedimiento EPTA 01/2003	4,8 kg
Información sobre ruidos / vibraciones Determinación de los valores de medición según norma EN 60745. El nivel de ruido típico del aparato determinado con un filtro A corresponde a:	
Presión acústica (K=3dB(A))	92,5 dB(A)
Resonancia acústica (K=3dB(A))	103,5 dB(A)
Usar protectores auditivos!	
Nivel total de vibraciones (suma vectorial de tres direcciones) determinado según EN 60745. aserrado de madera Valor de vibraciones generadas a _{h,w} Tolerancia K=	4,5 m/s ² 1,5 m/s ²



ADVERTENCIA

El nivel vibratorio indicado en estas instrucciones ha sido medido conforme a un método de medición estandarizado en la norma EN 60745, y puede utilizarse para la comparación entre herramientas eléctricas. También es apropiado para una estimación provisional de la carga de vibración.

El nivel vibratorio indicado representa las aplicaciones principales de la herramienta eléctrica. Si, pese a ello, se utiliza la herramienta eléctrica para otras aplicaciones, con útiles adaptables diferentes o con un mantenimiento insuficiente, el nivel vibratorio puede diferir. Esto puede incrementar sensiblemente la carga de vibración durante todo el periodo de trabajo.

Para una estimación exacta de la carga de vibración deberían tenerse en cuenta también los tiempos durante los que el aparato está apagado o, pese a estar en funcionamiento, no está siendo realmente utilizado. Esto puede reducir sustancialmente la carga de vibración durante todo el periodo de trabajo.

Adopte medidas de seguridad adicionales para la protección del operador frente al efecto de las vibraciones, como por ejemplo: mantenimiento de la herramienta eléctrica y de los útiles adaptables, mantener las manos calientes, organización de los procesos de trabajo.


ADVERTENCIA! Rogamos leer las indicaciones de seguridad y las instrucciones.

En caso de no atenerse a las advertencias de peligro e instrucciones siguientes, ello puede ocasionar una descarga eléctrica, un incendio y/o lesión grave.

Guardar todas las advertencias de peligro e instrucciones para futuras consultas.

INSTRUCCIONES DE SEGURIDAD PARA SIERRA CIRCULAR

Proceso de serrado

 **PELIGRO: Mantener las manos alejadas del área de corte y de la hoja de sierra. Sujetar con la otra mano la empuñadura adicional o la carcasa motor.** Si la sierra circular se sujeta con ambas manos, éstas no pueden lesionarse con la hoja de sierra.

No tocar por debajo de la pieza de trabajo. La caperuza protectora no le protege del contacto con la hoja de sierra por la parte inferior de la pieza de trabajo.

Adaptar la profundidad de corte al grosor de la pieza de trabajo. La hoja de sierra no deberá sobresalir más de un diente de la pieza de trabajo.

Jamás sujetar la pieza de trabajo con la mano o colocándola sobre sus piernas. Fijar la pieza de trabajo sobre una base de asiento firme. Es importante que la pieza de trabajo quede bien sujeta para reducir el riesgo a accidentarse, a que se atasque la hoja de sierra, o a perder del control sobre el aparato.

Únicamente sujete el aparato por las empuñaduras aisladas al realizar trabajos en los que el útil pueda tocar conductores eléctricos ocultos o el propio cable del aparato. El contacto con conductores portadores de tensión puede hacer que las partes metálicas del aparato le provoquen una descarga eléctrica.

Al realizar cortes longitudinales emplear siempre un tope, o una guía para ángulos rectos. Esto permite un corte más exacto y además reduce el riesgo a que se atasque la hoja de sierra. Siempre utilizar las hojas de sierra con las dimensiones correctas y el orificio adecuado (p. ej. en forma de estrella o redondo). Las hojas de sierra que no correspondan a los elementos de montaje de ésta, giran excéntricas y pueden hacerle perder el control sobre la sierra.

Jamás emplear arandelas o tornillos de sujeción de la hoja de sierra dañados o incorrectos. Las arandelas y tornillos de sujeción de la hoja de sierra fueron especialmente diseñados para obtener unas prestaciones y seguridad de trabajo máximas. Causas y prevención contra el rechazo de la

sierra:- El rechazo es una fuerza de reacción brusca que se provoca al engancharse, atascarse o guiar incorrectamente la hoja de sierra, lo que hace que la sierra se salga de forma incontrolada de la pieza de trabajo y resulte impulsada hacia el usuario;- Si la hoja de sierra se engancha o atasca al cerrarse la ranura de corte, la hoja de sierra se bloquea y el motor impulsa el aparato hacia el usuario;

- Si la hoja de sierra se gira lateralmente o se desalinea, los dientes de la parte posterior de la hoja de sierra pueden engancharse en la cara superior de la pieza de trabajo haciendo que la hoja de sierra se salga de la ranura de corte, y el aparato salga despedido hacia atrás en dirección al usuario. **El rechazo se debe a la utilización inadecuada y/o procedimientos o condiciones de trabajo incorrectos y puede evitarse tomando las precauciones que se detallan a continuación. Sujetar firmemente la sierra con ambas manos manteniendo los brazos en una posición que le permita oponerse a la fuerza de reacción. Mantener el cuerpo a un lado de la hoja de sierra; jamás colocarse en línea con ella.** Si la sierra retrocede bruscamente al ser rechazada, el usuario puede hacer frente a esta fuerza de reacción siempre que haya tomando unas precauciones adecuadas.

Si la hoja de sierra se atasca, o en caso de tener que interrumpir el trabajo por cualquier otro motivo, soltar el interruptor de conexión/desconexión manteniendo inmóvil la sierra, y esperar a que se haya detenido completamente la hoja de sierra. Jamás intentar sacar la sierra de la pieza de trabajo o tirar de ella hacia atrás mientras esté funcionando la hoja de sierra, puesto que resultaría rechazada. Investigar y subsanar convenientemente la causa de atasco de la hoja de sierra. Para continuar el trabajo con la sierra, centrar primero la hoja de sierra en la ranura y cerciorarse de que los dientes de sierra no toquen la pieza de trabajo. Si la hoja de sierra está atascada, la sierra puede llegar a salirse de la pieza de trabajo o ser rechazada al ponerse en marcha.

Soportar tableros grandes para evitar un rechazo al atascarse la hoja de sierra. Los tableros grandes pueden moverse por su propio peso. Los tableros deberán ser soportados a ambos lados, tanto cerca de la línea de corte como al borde.

No usar hojas de sierra melladas ni dañadas. Las hojas de sierra con dientes mellados o incorrectamente triscados producen una ranura de corte demasiado estrecha, lo que provoca una fricción excesiva y el atasco o rechazo de la hoja de sierra.

Apretar firmemente los dispositivos de ajuste de la profundidad y ángulo de corte antes de comenzar a serrar. Si la sierra llegase a desajustarse durante el trabajo puede que la hoja de sierra se atasque y resulte rechazada. Prestar especial atención al realizar un "corte por inmersión" en tabiques u otros materiales de composición desconocida. Al ir penetrando la hoja de sierra ésta puede ser bloqueada por objetos ocultos en el material y hacer que la sierra sea rechazada.

Función de la cubierta de protección inferior

Antes de cada utilización cerciorarse de que la caperuza protectora inferior cierre perfectamente. No usar la sierra si la caperuza protectora inferior no gira libremente o no se cierra de forma instantánea. Jamás bloquear o atar la caperuza protectora inferior para mantenerla abierta. Si la sierra se le cae puede que se deforme la caperuza protectora inferior. Abrir la caperuza protectora inferior con la palanca y cerciorarse de que se mueva libremente sin que llegue a tocar la hoja de sierra ni otras partes en cualquiera de los ángulos y profundidades de corte. Controlar el funcionamiento del muelle de recuperación de la caperuza protectora inferior. Antes de su uso hacer reparar el aparato si la caperuza protectora inferior o el resorte no funcionan correctamente. Las piezas deteriora-

das, el material adherido pegajoso, o las virutas acumuladas puede hacer que la caperuza protectora inferior se mueva con dificultad.

Solamente abrir manualmente la caperuza protectora inferior al realizar cortes especiales como "cortes por inmersión" o "cortes compuestos". Abrir la caperuza protectora inferior con la palanca y soltarla en el momento en que la hoja de sierra haya llegado a penetrar en la pieza de trabajo. En todos los demás trabajos la caperuza protectora deberá trabajar automáticamente.

No depositar la sierra sobre una base si la caperuza protectora inferior no cubre la hoja de sierra. Una hoja de sierra sin proteger, que no esté completamente detenida, hace que la sierra salga despedida hacia atrás, cortando todo lo que encuentra a su paso. Considerar el tiempo de marcha por inercia hasta la detención de la sierra.

INSTRUCCIONES ADICIONALES DE SEGURIDAD Y LABORALES

¡Utilice protección auditiva! La exposición a niveles de ruido excesivos puede causar la pérdida de audición.

Para trabajar con la máquina, utilizar siempre gafas de protección, guantes, calzado de seguridad antideslizante, así como es recomendable usar protectores auditivos.

El polvo que se produce cuando se usa esta herramienta puede ser perjudicial para la salud. Use un sistema de absorción de polvo y utilice una máscara adecuada de protección contra el polvo. Limpie el polvo depositado, por ejemplo con un aspirador.

No se pueden emplear hojas de sierra cuyos datos codificados no corresponden a estas instrucciones de manejo.

Por favor no emplear muelas abrasivas!

En cortes manuales ni se puede ni se debe enclavar el interruptor de forma fija, para prevenir accidentes.

INDICACIONES PARA EL TRABAJO

Adapte la velocidad de avance para evitar que se sobrecalienten los dientes de la hoja de sierra.

CONEXIÓN ELÉCTRICA

Conectar solamente a corriente AC monofásica y sólo al voltaje indicado en la placa de características. También es posible la conexión a enchufes sin toma a tierra, dado que es conforme a la Clase de Seguridad II.

Conecte siempre la máquina a una red protegida por interruptor diferencial y magnetotérmico (FI, RCD, PRCD), para su seguridad personal, según normas establecidas para instalaciones eléctricas de baja tensión.

Enchufar la máquina a la red solamente en posición desconectada.

Evite que cualquier pieza metálica alcance las ranuras de ventilación - ¡peligro de cortocircuito!

Mantener siempre el cable separado del radio de acción de la máquina.

Antes de empezar a trabajar compruebe si está dañada la máquina, el cable o el enchufe. Las reparaciones sólo se llevarán a cabo por Agentes de Servicio autorizados.

Un pico de tensión causa variaciones de voltaje y puede afectar a otros aparatos eléctricos de la misma línea eléctrica. Enchufe el dispositivo a la toma de electricidad con una impedancia de 0.368 Ω para minimizar las fluctuaciones de voltaje.

Contacte con su proveedor de energía eléctrica para obtener más aclaraciones



APLICACIÓN DE ACUERDO A LA FINALIDAD

La sierra circular se puede usar para cortes rectilíneos en madera.

DECLARACION DE CONFORMIDAD CE

Declaramos bajo nuestra responsabilidad que el producto descrito bajo „Datos técnicos“ está en conformidad con todas las normas relevantes de la directiva 2011/65/EU (RoHs), 2004/108/CE, 2006/42/CE y con las siguientes normas o documentos normalizados:

EN 60745-1:2009 + A11:2010

EN 60745-2-5:2010

EN 55014-1:2006 + A1:2009 + A2:2011

EN 55014-2:1997 + A1:2001 + A2:2008

EN 61000-3-2:2006 + A1:2009 + A2:2009

EN 61000-3-11:2000



Winnenden, 2014-03-03

Alexander Krug / Managing Director

Autorizado para la redacción de los documentos técnicos.

Techtronic Industries GmbH

Max-Eyth-Straße 10, 71364 Winnenden, Germany

MANTENIMIENTO

Desconecte siempre el enchufe antes de llevar a cabo cualquier trabajo en la máquina.

Asegúrese de desconectar la herramienta de la fuente de alimentación antes de ajustar o retirar la hoja de sierra.

Limpie la herramienta y el dispositivo protector con un paño seco. Algunos detergentes dañan materiales sintéticos u otras partes aisladas.

Las ranuras de ventilación de la máquina deben estar despejadas en todo momento.

Retire regularmente el polvo. Retire las virutas acumuladas en el interior de la sierra para evitar riesgos de incendio.

Mantenga la herramienta limpia, seca y libre de aceite y grasa emergente.

Controle la función de las cubiertas protectoras.

Un mantenimiento y una limpieza regular permitirán una larga vida y un manejo seguro de la herramienta.

Si la línea de conexión de la herramienta eléctrica estuviera dañada, deberá reemplazarse la misma por una línea de alimentación preparada especialmente, la cual puede adquirirse a través de la organización de servicio al cliente.

Solo se deben utilizar accesorios y piezas de repuestos AEG. Piezas cuyo recambio no está descrito en las instrucciones de uso, deben sustituirse en un centro de asistencia técnica AEG (Consulte el folleto Garantía/Direcciones de Centros de Asistencia Técnica).

Puede solicitar, en caso necesario, una vista despiezada del aparato bajo indicación del tipo de máquina y el número de seis dígitos en la placa indicadora de potencia en su Servicio de Postventa o directamente en Techtronic Industries GmbH, Max-Eyth-Straße 10, 71364 Winnenden, Germany.

SÍMBOLOS



¡ATENCIÓN! ¡ADVERTENCIA! ¡PELIGRO!



Lea las instrucciones detenidamente antes de conectar la herramienta



Para trabajar con la máquina, utilizar siempre gafas de protección.



Usar protectores auditivos!



Utilice por ello una máscara protectora contra polvo.



Usar guantes protectores



Desconecte siempre el enchufe antes de llevar a cabo cualquier trabajo en la máquina.



No aplique fuerza.



Accesorio - No incluido en el equipo estándar, disponible en la gama de accesorios.



¡No deseche los aparatos eléctricos junto con los residuos domésticos! De conformidad con la Directiva Europea 2002/96/CE sobre residuos de aparatos eléctricos y electrónicos y su aplicación de acuerdo con la legislación nacional, las herramientas eléctricas cuya vida útil haya llegado a su fin se deberán recoger por separado y trasladar a una planta de reciclaje que cumpla con las exigencias ecológicas.



Herramienta eléctrica de la clase de protección II
Herramientas eléctricas, en las que la protección contra un choque eléctrico no depende solamente del aislamiento básico sino también de la aplicación de medidas adicionales de protección, como doble aislamiento o aislamiento reforzado. No existe dispositivo para la conexión de un conductor protector.



Marca CE

CARACTERÍSTICAS TÉCNICAS serra circular	KS 66-2
Número de produção	4466 76 01 000001-999999
Potência absorvida nominal	1600 W
Nº de rotações em vazio	5800 min ⁻¹
Ø de disco x Ø da furação	190 x 30 mm
espessura da folha de serra	2,2 mm
Profundidade de corte máx. com 0° / 45° / 56°	63 / 47 / 36 mm
Peso nos termos do procedimento-EPTA 01/2003	4,8 kg
Informações sobre ruído/vibração Valores de medida de acordo com EN 60745. O nível de ruído avaliado A do aparelho é tipicamente: Nível da pressão de ruído (K=3dB(A)) Nível da potência de ruído (K=3dB(A))	92,5 dB(A) 103,5 dB(A)
Use protectores auriculares!	
Valores totais de vibração (soma dos vectores das três direcções) determinadas conforme EN 60745. Serrar madeira Valor de emissão de vibração a _{h,w} Incerteza K=	4,5 m/s ² 1,5 m/s ²



ATENÇÃO

O nível vibratório indicado nestas instruções foi medido em conformidade com um procedimento de medição normalizado na EN 60745 e pode ser utilizado para comparar entre si ferramentas eléctricas. O mesmo é também adequado para avaliar provisoriamente o esforço vibratório.

O nível vibratório indicado representa as principais aplicações da ferramenta eléctrica. Se, no entanto, a ferramenta eléctrica for utilizada para outras aplicações, com outras ferramentas adaptadas ou uma manutenção insuficiente, o nível vibratório poderá divergir. Isto pode aumentar consideravelmente o esforço vibratório ao longo de todo o período do trabalho.

Para uma avaliação exacta do esforço vibratório devem também ser considerados os tempos durante os quais o aparelho está desligado ou está a funcionar, mas não está efectivamente a ser utilizado. Isto pode reduzir consideravelmente o esforço vibratório ao longo de todo o período do trabalho.

Defina medidas de segurança suplementares para proteger o operador do efeito das vibrações, como por exemplo: manutenção da ferramenta eléctrica e das ferramentas adaptadas, manter as mãos quentes, organização das sequências de trabalho.



ATENÇÃO! Leia todas as instruções de segurança e todas as instruções.

O desrespeito das advertências e instruções apresentadas abaixo pode causar choque eléctrico, incêndio e/ou graves lesões.

Guarde bem todas as advertências e instruções para futura referência.



INSTRUÇÕES DE SEGURANÇA PARA SERRA CIRCULAR

Processo de serragem



PERIGO: Mantenha as mãos afastadas da área de corte e da lâmina de corte. Mantenha a sua outra mão segurando o punho adicional ou a carcaça do aparelho. Se ambas as mãos segurarem a serra circular, estas não poderão ser lesadas pela lâmina de serra.

Não toque em baixo da peça a ser trabalhada. A capa de protecção não pode proteger contra a lâmina de serra sob a peça a ser trabalhada.

Adaptar a profundidade de corte à espessura da peça a ser trabalhada. Deveria estar visível por aproximadamente menos do que uma altura de dente abaixo da peça a ser trabalhada.

Jamais segure a peça a ser trabalhada na mão ou sobre a

perna. Fixar a peça a ser trabalhada sobre uma base firme.

É importante, fixar bem a peça a ser trabalhada, para minimizar o risco de contacto com o corpo, emperramento da lâmina de serra ou perda de controle.

Ao executar trabalhos durante os quais possam ser atingidos cabos eléctricos ou o próprio cabo de rede, deverá sempre segurar a ferramenta eléctrica pelas superfícies isoladas do punho. O contacto com um cabo sob tensão pode colocar peças de metal da ferramenta eléctrica sob tensão e levar a um choque eléctrico.

Utilize sempre um esbarro ou um guia de cantos recto para efectuar cortes longitudinais. Isto melhora a exactidão de corte e reduz a probabilidade da lâmina de serra emperrar.

Utilize sempre lâminas de serra com o tamanho correcto e com orifício de admissão de forma apropriada (p.ex. em forma de estrela ou redonda). Lâminas de serra que não servem para as peças de montagem da serra, não giram irregularmente e levam à perda do controle.

Jamais utilizar arruelas planas ou parafusos de lâminas de serra danificados ou não apropriados. As arruelas planas e os parafusos foram construídos especialmente para a sua serra, para uma potência otimizada e segurança operacional. Causa e prevenção contra um contra-golpe:- um contra-golpe é

uma reacção repentina devido a uma lâmina de serra enganchada, emperrada ou incorrectamente alinhada, que faz com que uma serra descontrolada saia da peça a ser trabalhada e se movimente no sentido da pessoa a operar o aparelho;- Se a lâmina de serra enganchar ou emperrar na fenda de corte, esta é bloqueada, e a força do motor golpea o aparelho no sentido do operador;

- se a lâmina de serrar for torcida ou incorrectamente alinhada no corte, é possível que os dentes do canto posterior da lâmina de serra se engatem na superfície da peça a ser trabalhada, de modo que a lâmina de serra se movimente para fora da fenda de corte e pule de volta para a pessoa a operar o aparelho. **Um contra-golpe é o resultado de uma utilização errada ou incorrecta da serra. Ele pode ser evitado com apropriadas medidas de precaução, como descrito a seguir. Segurar a serra firmemente com ambas as mãos e mantenha os braços numa posição, na qual é capaz de suportar as forças de uma contra-golpe. Posicione-se sempre na lateral da lâmina de serra, jamais colocar a lâmina de serra numa linha com o seu corpo.** No caso de um contra-golpe, a serra circular pode pular para trás, no entanto o operador será capaz de dominar a força do contra-golpe se tiver tomado medidas de precaução.

Se a lâmina de serra enganchar ou se o processo de serra for interrompido por qualquer outro motivo, deverá soltar o interruptor de ligar-desligar e segurar a serra imóvel na peça a ser trabalhada, até a lâmina de serra parar completamente. Não tente jamais remover a lâmina de serra da peça a ser trabalhada ou puxá-la para trás, enquanto a lâmina ainda estiver em movimento ou enquanto puder ocorrer um contra-golpe. Encontrar a causa pela qual a lâmina de serra está enganchada e eliminar a causa através de medidas apropriadas. Se desejar reaccionar uma serra que se encontra na peça a ser trabalhada, deverá centrar a lâmina de serra na fenda de serra e controlar se os dentes da serra não engate na peça a ser trabalhada. Se a lâmina de serra emperrar, poderá movimentar-se para fora da lâmina de serra ou causar um contra-golpe logo que a serra for reaccionada.

Placas grandes devem ser apoiadas, para reduzir o risco de um contra-golpe devido a uma lâmina de serra emperrada. Placas grandes podem curvar-se devido ao seu próprio peso. Placas devem ser apoiadas em ambos os lados, tanto nas proximidades da fenda de corte, assim como na borda.

Não utilizar lâminas de serra obtusas ou danificadas. Lâminas de serra obtusas ou desalinhadas causam devido a uma fenda de corte demasiado estreita, uma fricção elevada, emperramento da lâmina de serra e contra-golpes.

Antes de serrar, deverá apertar os ajustes de profundidade de corte e de ângulo de corte. Se os ajustes se alterarem durante o processo de corte, é possível que a lâmina de serra seja emperrada e que ocorra um contra-golpe. Tenha especialmente cuidado, ao efectuar um "Corte de imersão" numa área escondida, p.ex. uma parede existente. A lâmina de serra mergulhada pode bloquear-se em objetos escondidos ao serrar e causar um contra-golpe.

Funcionamento da cobertura de protecção inferior

Controlar antes de cada utilização, se a capa de protecção inferior fecha perfeitamente. Não utilize a serra se a capa de protecção inferior não se movimentar livremente e não se fechar imediatamente. Jamais prender ou amarrar a capa de protecção na posição aberta. Se a serra cair inesperadamente no chão, é possível que a capa de protecção inferior seja entortada. Abrir a capa de protecção com a alavanca para puxar para trás, e assegurar que se movimente livremente e não entre

em contacto com a lâmina de serra nem com outras partes ao efectuar todos os tipos de cortes angulares e em todas profundidades de corte. Controlar a função da mola para a capa de protecção inferior. Permita que seja efectuada uma manutenção do aparelho antes de utilizá-lo, se a capa de protecção inferior e a mola não estiverem funcionando perfeitamente. Peças danificadas, resíduos aderentes ou acumulações de aparas fazem com que a capa de protecção inferior trabalhe com atraso.

Só abrir a capa de protecção inferior manualmente em certos tipos de corte, como "Cortes de imersão e cortes angulares". Abrir a capa de protecção inferior com uma alavanca para puxar para trás e soltar, logo que a lâmina de serra tenha entrado na peça a ser trabalhada. Em todos os outros trabalhos de serra é necessário que a capa de protecção inferior trabalhe automaticamente.

Não depositar a serra sobre a bancada de trabalho nem sobre o chão, sem que a capa de protecção inferior encubra a lâmina de serra. Uma lâmina de serra não utilizada, e em movimento por inércia, movimenta a serra no sentido contrário do corte e serra tudo que estiver no seu caminho. Observe o tempo de movimento de inércia da serra.

INSTRUÇÕES DE SEGURANÇA E TRABALHO SUPLEMENTARES

Sempre use a protecção dos ouvidos. Os ruídos podem causar surdez.

Usar sempre óculos de protecção ao trabalhar com a máquina. Recomenda-se a utilização de luvas de protecção, protectores para os ouvidos e máscara anti-poeiras.

A poeira gerada ao trabalhar com esta ferramenta pode ser perigosa para a saúde e por isso não deve atingir o corpo. Utilize um sistema de absorção de poeiras e use uma máscara de protecção. Retire completamente a poeira depositada, por exemplo com um aspirador.

É inadmissível a utilização de discos de serra que não correspondam às características especificadas nestas instruções de serviço.

É favor não instalar discos de lixar!

Não bloquear o interruptor quando a máquina for conduzida à mão.

DICAS DE TRABALHO

Ajuste a velocidade de avanço para evitar um sobreaquecimento dos dentes das folhas de serra.

LIGAÇÃO À REDE

Só conectar à corrente alternada monofásica e só à tensão de rede indicada na placa de potência. A conexão às tomadas de rede sem contacto de segurana também é possível, pois trata-se duma construção da classe de protecção II.

Aparelhos não estacionários, utilizados ao ar livre, devem ser protegidos por um disjuntor de corrente de defeito (FI, RCD, PRCD).

Ao ligar à rede, a máquina deve estar desligada.

Não deixe que peças metálicas toquem nas fendas de circulação de ar - perigo de curto-circuitos.

Manter sempre o cabo de ligação fora da zona de acção da máquina.

Antes de cada utilização inspeccionar a máquina, o cabo de ligação a extensão e quanto a danos e desgaste. A máquina só deve ser reparada por um técnico especializado.

Um pico de corrente causa variações de voltagem e pode afectar outros aparelhos eléctricos na mesma linha eléctrica. Ligue o dispositivo à tomada eléctrica com uma impedância de 0.368 Ω para minimizar as flutuações de voltagem.

Contacte o seu fornecedor de energia eléctrica para mais esclarecimentos.

UTILIZAÇÃO AUTORIZADA

A serra circular manual efectua cortes precisos em madeira.

DECLARAÇÃO DE CONFORMIDADE CE

Declaramos sob responsabilidade exclusiva, que o produto descrito sob „Dados técnicos“ corresponde com todas as disposições relevantes da directiva 2011/65/EU (RoHS), 2004/108/CE, 2006/42/CE e dos seguintes documentos normativos harmonizados.

EN 60745-1:2009 + A11:2010

EN 60745-2-5:2010

EN 55014-1:2006 + A1:2009 + A2:2011

EN 55014-2:1997 + A1:2001 + A2:2008

EN 61000-3-2:2006 + A1:2009 + A2:2009

EN 61000-3-11:2000



Winnenden, 2014-03-03

Alexander Krug / Managing Director
Autorizado a reunir a documentação técnica.

Techtronic Industries GmbH
Max-Eyth-Straße 10, 71364 Winnenden, Germany

MANUTENÇÃO

Antes de efectuar qualquer intervenção na máquina, tirar a ficha da tomada.

Certifique-se que desliga a ferramenta da rede eléctrica antes de instalar ou remover a lâmina serra.

Limpe o aparelho e o dispositivo de protecção com um pano seco. Alguns detergentes danificam o plástico ou outras peças isoladas.

Manter desobstruídos os rasgos de ventilação na carcaça da máquina.

Retire regularmente o pó. Retire a serradura acumulada no interior da serra para evitar riscos de incêndio.

Mantenha o aparelho limpo e seco e livre de óleo ou graxa que saiu.

Verifique a função das tampas de protecção.

Uma manutenção e limpeza em intervalos regulares cuida de uma longa vida útil e de um manejo seguro.

Se o condutor de alimentação da ferramenta eléctrica estiver danificado, ele deverá ser substituído por um condutor de alimentação especial que se vende na organização da assistência ao cliente.

Utilizar unicamente acessórios e peças sobressalentes da AEG. Sempre que a substituição de um componente não tenha sido descrita nas instruções, será de toda a conveniência mandar executar esse trabalho a um Serviço de Assistência AEG (veja o folheto Garantia/Endereços de Serviços de Assistência).

Se for necessário, um desenho de explosão do aparelho pode ser solicitado do seu posto de assistência ao cliente ou directamente da Techtronic Industries GmbH, Max-Eyth-Straße 10, 71364 Winnenden, Alemanha, indicando o tipo da máquina e o número de seis posições na chapa indicadora da potência.

SYMBOLE



ATENÇÃO! PERIGO!



Leia atentamente o manual de instruções antes de colocar a máquina em funcionamento.



Usar sempre óculos de protecção ao trabalhar com a máquina.



Use protectores auriculares!



Use uma máscara de protecção contra pó apropriada.



Use luvas de protecção!



Antes de efectuar qualquer intervenção na máquina, tirar a ficha da tomada.



Não aplique força.



Acessório - Não incluído no equipamento normal, disponível como acessório.



Não deite ferramentas eléctricas no lixo doméstico! De acordo com a directiva europeia 2002/96/CE sobre ferramentas eléctricas e electrónicas usadas e a transposição para as leis nacionais, as ferramentas eléctricas usadas devem ser recolhidas em separado e encaminhadas a uma instalação de reciclagem dos materiais ecológica.



Ferramenta eléctrica da classe de protecção II Ferramenta eléctrica, na qual a protecção contra choque eléctrico não só depende do isolamento básico, mas também da aplicação de medidas de protecção suplementares, como isolamento duplo ou reforçado. Não há um dispositivo para a conexão dum condutor de protecção.



Marca CE



TECHNISCHE GEGEVENS cirkelzaag	KS 66-2
Productienummer	4466 76 01 000001-999999
Nominaal afgegeven vermogen	1600 W
Onbelast toerental	5800 min ⁻¹
Zaagblad ø x boring ø	190 x 30 mm
zaagbladdikte	2,2 mm
Max. zaagdiepte bij 0° / 45° / 56°	63 / 47 / 36 mm
Gewicht volgens de EPTA-procedure 01/2003	4,8 kg
Geluids-/trillingsinformatie Meetwaarden vastgesteld volgens EN 60745. Het kenmerkende A-gewogen geluidsniveau van de machine bedraagt:	
Geluidsdrukniveau (K=3dB(A))	92,5 dB(A)
Geluidsvermogeniveau (K=3dB(A))	103,5 dB(A)
Draag oorbeschermers!	
Totale trillingswaarden (vectorsom van drie richtingen) bepaald volgens EN 60745.	
Zagen van hout Trillingsemissiewaarde a _{h,w}	4,5 m/s ²
Onzekerheid K=	1,5 m/s ²



WAARSCHUWING

De in deze aanwijzingen vermelde trillingsdruk is gemeten volgens een in EN 60745 genormeerde meetmethode en kan worden gebruikt voor de onderlinge vergelijking van apparaten. Hij is ook geschikt voor een voorlopige inschatting van de trillingsbelasting.

De aangegeven trillingsdruk geldt voor de meest gebruikelijke toepassingen van het elektrische apparaat. Wanneer het elektrische gereedschap echter voor andere doeleinden, met andere dan de voorgeschreven hulpstukken gebruikt of niet naar behoren onderhouden wordt, kan de trillingsdruk afwijken. Dit kan de waarde van de trillingsdruk over de hele werkperiode aanzienlijk verhogen.

Voor een nauwkeurige inschatting van de trillingsdruk moeten ook de tijden in aanmerking worden genomen dat het apparaat uitgeschakeld is of weliswaar loopt, maar niet werkelijk in gebruik is. Dit kan de waarde van de trillingsdruk over de hele werkperiode aanzienlijk verminderen.

Bepaal extra veiligheidsmaatregelen ter bescherming van de bediener tegen de inwerking van trillingen, bijvoorbeeld: onderhoud van elektrische gereedschappen en apparaten, warmhouden van de handen, organisatie van de werkprocessen.



WAARSCHUWING! Lees alle veiligheidsinstructies en aanwijzingen door.

Als de waarschuwingen en voorschriften niet worden opgevolgd, kan dit een elektrische schok, brand of ernstig letsel tot gevolg hebben.

Bewaar alle waarschuwingen en voorschriften voor toekomstig gebruik.



VEILIGHEIDSINSTRUCTIES VOOR CIRKELZAAG

Zaagmethode



GEVAAR: Houd uw handen uit de buurt van de zaagomgeving en het zaagblad. Houd met uw andere hand de extra handgreep of het motorhuis vast. Als u de cirkelzaag met beide handen vasthoudt, kan het zaagblad deze niet verwonden.

Grijp niet onder het werkstuk. De beschermkap kan u onder het werkstuk niet tegen het zaagblad beschermen.

Pas de zaagdiepte aan de dikte van het werkstuk aan. Er dient minder dan een volledige tandhoogte onder het werkstuk zichtbaar te zijn.

Houdt het te zagen werkstuk nooit in uw hand of op uw been vast. Zet het werkstuk op een stabiele ondergrond vast. Het is belangrijk om het werkstuk goed te bevestigen om

het gevaar van contact met het lichaam, vastklemmen van het zaagblad of verlies van de controle te minimaliseren.

Houd het elektrische gereedschap alleen vast aan de geïsoleerde greepvlakken als u werkzaamheden uitvoert waarbij het inzetgereedschap verborgen stroomleidingen of de eigen netkabel kan raken. Contact met een onder spanning staande leiding zet ook de metalen delen van het elektrische gereedschap onder spanning en leidt tot een elektrische schok.

Gebruik bij het schulpen altijd een aanslag of een rechte randgeleiding. Dit verbetert de zaagnauwkeurigheid en verkleint de mogelijkheid dat het zaagblad vastklemt.

Gebruik altijd zaagbladen met de juiste maat en vorm (stervormig of rond) van het opnameboorgat. Zaagbladen die niet bij de montagegedelen van de zaagmachine passen, lopen niet rond en leiden tot het verliezen van de controle.

Gebruik nooit beschadigde of verkeerde onderleggingen of schroeven voor het zaagblad. De onderleggingen en schroeven voor het zaagblad zijn speciaal geconstrueerd voor deze zaagmachine, voor optimaal vermogen en optimale bedrijfszekerheid. Oorzaken en voorkoming van een terugslag: een terugslag is de plotselinge reactie als gevolg van een vasthakend, klemmend of verkeerd gericht zaagblad, die ertoe leidt dat een ongecontroleerde zaagmachine uit het werkstuk omhoogkomt

en in de richting van de bedienende persoon beweegt;- als het zaagblad in de zich sluitende zaagopening vasthaakt of vastklemt, wordt het geblokkeerd en slaat de motorkracht de machine in de richting van de bedienende persoon terug;

- als het zaagblad in de zaagopening wordt gedraaid of verkeerd wordt gericht, kunnen de tanden van de achterste zaagbladrand in het oppervlak van het werkstuk vasthaken, waardoor het zaagblad uit de zaagopening beweegt en achteruitspringt in de richting van de bedienende persoon. **Een terugslag is het gevolg van het verkeerd gebruik of onjuiste gebruiksomstandigheden van de zaagmachine. Terugslag kan worden voorkomen door geschikte voorzorgsmaatregelen, zoals hieronder beschreven. Houd de zaagmachine met beide handen vast en houd uw armen zo dat u stand kunt houden ten opzichte van de terugslagkrachten. Blijf altijd opzij van het zaagblad en breng het zaagblad nooit in één lijn met uw lichaam. Bij een terugslag kan de cirkelzaag achteruit springen.** De bedienende persoon kan de terugslagkrachten echter beheersen wanneer geschikte maatregelen zijn getroffen.

Als het zaagblad vastklemt of het zagen om een andere reden wordt onderbroken, laat u de aan/uitschakelaar los en houd u de zaagmachine in het materiaal rustig tot het zaagblad volledig stilstaat. Probeer nooit om de zaagmachine uit het werkstuk te verwijderen of de machine achteruit te trekken zolang het zaagblad beweegt of een terugslag kan optreden. Spoor de oorzaak van het klemmen van het zaagblad op en verwijder deze door geschikte maatregelen. Als u een zaagmachine die in het werkstuk steekt weer wilt starten, centreert u het zaagblad in de zaagopening en controleert u of de zaagtanden niet in het werkstuk zijn vastgehaakt. Als het zaagblad klemt, kan het uit het werkstuk bewegen of een terugslag veroorzaken als de zaagmachine opnieuw wordt gestart.

Ondersteun grote platen om het risico van een terugslag door een klemmend zaagblad te verminderen. Grote platen kunnen onder hun eigen gewicht doorbuigen. Platen moeten aan beide zijden worden ondersteund, in de buurt van de zaagopening en aan de rand.

Gebruik geen stompe of beschadigde zaagbladen. Zaagbladen met stompe of verkeerd gerichte tanden veroorzaken door een te nauwe zaagopening een verhoogde wrijving, vastklemmen van het zaagblad of terugslag.

Draai voor het zagen de instellingen voor de zaagdiepte en de zaaghoek vast. Als tijdens het zagen de instellingen veranderen, kan het zaagblad vastklemmen kan een terugslag optreden. Wees bijzonder voorzichtig als u invallend zaagt in een verborgen gedeelte, bijvoorbeeld een bestaande wand. Het invallende zaagblad kan bij het zagen in verborgen objecten blokkeren en een terugslag veroorzaken.

Functie van de onderste beschermkap

Controleer voor elk gebruik of de onderste beschermkap correct sluit. Gebruik de zaagmachine niet als de onderste beschermkap niet vrij kan bewegen en niet onmiddellijk sluit. Klem of bind de onderste beschermkap nooit in de geopende stand vast. Als de zaagmachine op de vloer valt, kan de onderste beschermkap worden verbogen. Open de beschermkap met de terugtrekhandel en controleer dat deze vrij beweegt en bij alle zaaghoeken en zaagdiepten het zaagblad of andere delen niet aanraakt. Controleer de functie van de veer voor de onderste beschermkap. Laat voor het gebruik van de machine onderhoud uitvoeren als de onderste beschermkap en de veer niet correct werken. Beschadigde delen,

plakkende aanslag of ophoping van spanen laten de onderste beschermkap vertraagd werken.

Open de onderste beschermkap alleen met de hand bij bijzondere zaagwerkzaamheden, zoals invallend zagen en haaks zagen. Open de onderste beschermkap met de terugtrekhandel en laat deze los zodra het zaagblad in het werkstuk is binnengedrongen. Bij alle andere zaagwerkzaamheden moet de onderste beschermkap automatisch werken.

Leg de zaagmachine niet op de werkbank of op de vloer zonder dat de onderste beschermkap het zaagblad bedekt. Een onbeschermd uitlopend zaagblad beweegt de zaagmachine tegen de zaagrichting en zaagt wat er in de weg komt. Let op de uitlooptijd van de zaagmachine.

VERDERE VEILIGHEIDS- EN WERKINSTRUCTIES

Draag oorbeschermers. Lawaai kan gehoorverlies veroorzaken.

Bij het werken met de machine altijd een veiligheidsbril dragen. Werkhandschoenen en stofkapje voor de mond worden aanbevolen.

Stof die vrijkomt tijdens het werken vormt vaak een gevaar voor de gezondheid en mag niet met het lichaam in aanraking komen. Machines met stofafzuiging gebruiken en tevens geschikte stofmaskers dragen. Vrijgekomen stof grondig verwijderen resp. opzuigen.

Zaagbladen, waarvan de gegevens niet overeenkomen welke in de gebruiksaanwijzing staan, mogen niet gebruikt worden.

Geen schuurschijven plaatsen!

Bij niet stationair gebruik de aan-uitschakelaar niet vastzetten.

ARBEIDSINSTRUCTIES

Voorkom dat de zaagbladtanden oververhit raken en pas de voortbewegingssnelheid dienovereenkomstig aan.

NETAANSLUITING

Uitsluitend op éénfase-wisselstroom en uitsluitend op de op het typeplaatje aangegeven netspanning aansluiten. Aansluiting is ook mogelijk op een stekerdoos zonder aardcontact mogelijk, omdat het is ontworpen volgens veiligheidsklasse II.

Verplaatsbaar gereedschap moet bij het gebruik buiten aan een aardlekschakelaar (FI, RCD, PRCD) aangesloten worden.

Machine alleen uitgeschakeld aan het net aansluiten.

Vanwege kortsluitingsgevaar mogen metaaldeeltjes niet in de luchtschachten terecht komen.

Snoer altijd buiten werkbereik van de machine houden.

Voor alle ombouw- of onderhoudswerkzaamheden, de stekker uit de wandkontaktdoos nemen.

Een stroomstoot veroorzaakt stroomschommelingen die andere elektrische producten op dezelfde stroomtoevoer kunnen beïnvloeden. Verbind het product met een stroombron waarvan de impedantie gelijk is aan 0.368 Ω om de spanningsschommelingen te minimaliseren.

Neem contact op met uw energieleverancier voor meer informatie.

VOORGESCHREVEN GEBRUIK VAN HET SYSTEEM

De cirkelzaag is geschikt voor rechte zaagsnedes in hout.



EC - VERKLARING VAN OVEREENSTEMMING

Wij verklaren in uitsluitende verantwoording dat het onder 'Technische gegevens' beschreven product overeenstemt met alle relevante voorschriften van de richtlijn 2011/65/EU (RoHS), 2004/108/EG, 2006/42/EG en de volgende geharmoniseerde normatieve documenten:

EN 60745-1:2009 + A11:2010

EN 60745-2-5:2010

EN 55014-1:2006 + A1:2009 + A2:2011

EN 55014-2:1997 + A1:2001 + A2:2008

EN 61000-3-2:2006 + A1:2009 + A2:2009

EN 61000-3-11:2000



Winnenden, 2014-03-03

Alexander Krug / Managing Director

Gemachtigd voor samenstelling van de technische documenten

Techtronic Industries GmbH

Max-Eyth-Straße 10, 71364 Winnenden, Germany

ONDERHOUD

Voor alle werkzaamheden aan de machine de stekker uit de kontaktdoos trekken.

Zorg ervoor dat het werktuig van de stroomvoorziening wordt ontkoppeld voor u het zaagblad vastmaakt of verwijdert.

Reinig het apparaat en de veiligheidsinrichting met een droge doek. Bepaalde reinigingsmiddelen tasten de kunststof of andere geïsoleerde onderdelen aan.

Altijd de luchtspleten van de machine schoonhouden.

Verwijder regelmatig het stof. Verwijder het zaagsel dat zich binnen in de zaag heeft opgestapeld, om brandgevaar te voorkomen.

Houd het apparaat schoon en droog en vrij van lekkende olie en vet.

Controleer de werking van de veiligheidskappen.

Regelmatig uitgevoerde onderhouds- en reinigingswerkzaamheden waarborgen een lange levensduur en een veilig gebruik.

Als de aansluitleiding van het elektrische gereedschap beschadigd is, moet deze worden vervangen door een speciaal voorbereide aansluitleiding die verkrijgbaar is via de klantenservice-organisatie.

Alleen AEG toebehoren en onderdelen gebruiken. Onderdelen welke niet vermeld worden, kunnen het beste door de AEG servicedienst verwisseld worden (zie Serviceadressen).

Zo nodig kan een explosietekening van het apparaat worden aangevraagd bij uw klantenservice of direct bij Techtronic Industries GmbH, Max-Eyth-Straße 10, 71364 Winnenden, Duitsland onder vermelding van het machinetype en het zescijferige nummer op het typeplaatje.

SYMBOLEN



OPGELET! WAARSCHUWING! GEVAAR!



Graag instructies zorgvuldig doorlezen vóórdat u de machine in gebruik neemt.



Bij het werken met de machine altijd een veiligheidsbril dragen.



Draag oorbeschermers!



Draag derhalve een geschikt stofbeschermsmasker.



Draag veiligheidshandschoenen!



Voor alle werkzaamheden aan de machine de stekker uit de kontaktdoos trekken.



Geen kracht uitoefenen.



Toebehoren - Wordt niet meegeleverd. Is apart leverbaar. Zie hiervoor het toebehorenprogramma.



Geef elektrisch gereedschap niet met het huisvuil mee! Volgens de Europese richtlijn 2002/96/EG inzake oude elektrische en elektronische apparaten en de toepassing daarvan binnen de nationale wetgeving, dient gebruikt elektrisch gereedschap gescheiden te worden ingezameld en te worden afgevoerd naar een recycle bedrijf dat voldoet aan de geldende milieu-eisen.



Elektrisch gereedschap van de beschermingsklasse II Elektrisch gereedschap waarbij de bescherming tegen elektrische schokken niet afhankelijk is van de basisisolatie, maar waarin ook extra veiligheidsmaatregelen worden toegepast zoals dubbele of versterkte isolatie. Er is geen voorziening voor de aansluiting van een aardleiding.



CE-keurmerk

TEKNISKE DATA Håndrundsaven	KS 66-2
Produktionsnummer	4466 76 01 000001-999999
Nominal optagen effekt	1600 W
Omdrejningstal, ubelastet	5800 min ⁻¹
Savklinge- \emptyset x hul- \emptyset	190 x 30 mm
Klingetykkelse	2,2 mm
Maks. skæredybde ved 0° / 45° / 56°	63 / 47 / 36 mm
Vægt svarer til EPTA-procedure 01/2003	4,8 kg
Støj/Vibrationsinformation Måleværdier beregnes iht. EN 60745. Værktøjets A-vurderede støjniveau er typisk: Lydtrykniveau (K=3dB(A)) Lydeffekt niveau (K=3dB(A))	92,5 dB(A) 103,5 dB(A)
Brug høreværn! Samlede vibrationsværdier (værdisum for tre retninger) beregnet iht. EN 60745. Savning af træ Vibrationseksponering $a_{h,w}$ Usikkerhed K=	4,5 m/s ² 1,5 m/s ²



ADVARSEL

Svingningsniveauet, som er angivet i disse anvisninger, er målt i henhold til standardiseret måleprocedure ifølge EN 60745 og kan anvendes til indbyrdes sammenligning mellem el-værktøjer. Svingningsniveauet er ligeledes egnet som foreløbigt skøn over svingningsbelastningen.

Det angivne svingningsniveau er baseret på el-værktøjets primære anvendelsesformål. Hvis el-værktøjet benyttes til andre formål, med andet indsatsværktøj eller ikke vedligeholdes tilstrækkeligt, kan svingningsniveauet afvige. Dette kan øge svingningsbelastningen over den samlede arbejdsperiode betydeligt.

For en nøjagtig vurdering af svingningsbelastningen skal der også tages højde for de tidsperioder, hvor apparatet er slukket, eller hvor apparatet kører, men uden at være i anvendelse. Dette kan reducere svingningsbelastningen over den samlede arbejdsperiode betydeligt.

Supplerende sikkerhedsforanstaltninger til beskyttelse af brugeren mod påvirkninger fra svingninger skal iværksættes, f.eks.: Vedligeholdelse af el-værktøj og indsatsværktøj, varmeholdelse af hænder, organisering af arbejdsprocesser.

ADVARSEL! Læs alle sikkerhedsanvisninger og øvrige vejledninger.

I tilfælde af manglende overholdelse af advarselshenvisningerne og instrukserne er der risiko for elektrisk stød, brand og/eller alvorlige kvæstelser.

Opbevar alle advarselshenvisninger og instrukser til senere brug.

SIKKERHEDSFORSKRIFTER FOR HÅNDRUNDSAVEN

Saveprocesser

 FARE: Stik aldrig hånden ind i skæreamrådet eller ind til savklingen. Tag fat om støttegrebet eller motorhuset med den anden hånd. Når man holder rundsaven med begge hænder, kan man ikke komme til at skære fingrene på klingen.

Stik aldrig hånden ind under arbejdsemnet. Beskyttelseskærmen giver ingen beskyttelse mod klingen på emnets underside.

Tilpas skæredybden efter arbejdsemnets tykkelse. Der må maksimalt være en hel tandhøjde synlig under emnet.

Hold aldrig et arbejdsemne i hånden eller over et knæ, når der skal saves i det. Emnet skal fikseres på et stabilt underlag. Det er vigtigt at emnet er gjort godt fast, for at minimere

risikoen for at komme til at save sig selv og for at klingen sætter sig fast eller kommer ud af kontrol.

Hold altid kun elværktøjet i de isolerede grebflader, når du udfører arbejde, hvor indsatsværktøjet kan ramme bøjede strømledninger eller værktøjets eget kabel. Kontakt med en spændingsførende ledning sætter også metaldele under spænding, hvilket fører til elektrisk stød.

Anvend altid et anslag eller et lige landstyr ved skæring på langs. Det vil forbedre skærepræcisionen og reducere muligheden for, at savklingen kan sætte sig fast.

Anvend altid en savklinge i den rigtige størrelse og med det passende spændehul (f.eks. stjerneformet eller rund). Savklinger, der ikke passer til monteringsdele på saven, vil køre ujævnt og kan nemt få maskinen til at gå ud af kontrol.

Anvend aldrig beskadigede eller forkerte underlagsskiver eller skruer til savklingen. Underlagsskiver og skruer til savklinger bliver konstrueret specielt til den enkelte sav, så man opnår optimal ydelse og driftssikkerhed. Årsager til og undgåelse af kast (kickback):- kast betyder en pludselig reaktion på grund af at savklingen er klemt fast, sætter sig fast eller er monteret forkert, og som bevirker, at man mister kontrol over saven, der bliver løftet opad og ud af arbejdsemnet og bliver slynget op mod brugeren;- hvis klingen binder eller sætter sig fast

i savsnittet, der lukker sig, bliver den blokeret, og motorkraften slynger maskinen tilbage mod brugeren;

- hvis savklingen drejes eller rettes forkert ind i savsnittet, kan tænderne i den bageste del af savklingen bide sig fast i arbejdssemnets overflade, og derefter vil klingen arbejde sig ud af snittet og saven blive slynget tilbage mod brugeren. **Et kast (kickback) opstår som følge af forkert brug eller misbrug af maskinen. Det kan undgås ved at tage nedenstående forholdsregler. Hold fast på saven med begge hænder og hold armene i en stilling, hvor De kan opfange styrken fra et kast. Stå altid på den ene side af savklingen, savklingen må aldrig stå på linje med kroppen.** Ved et kast kan rundsaven springe bagud, men brugeren kan opfange tilbageslagskraften, hvis man forholder sig rigtigt.

Hvis savklingen binder eller savningen skal afbrydes af en anden grund, så slip start-/stop-kontakten og lad saven blive siddende i emnet, indtil savklingen står helt stille. Prøv aldrig på at tage saven ud af emnet eller at trække den tilbage, så længe savklingen bevæger sig eller der er risiko for kast. Find ud af, hvorfor savklingen har sat sig fast, og træf egnede forholdsregler, så det ikke kan ske igen. Når man igen vil starte en sav, som har sat sig fast i emnet, skal savklingen centreres i savsnittet, hvorefter man kontrollerer, at savtænderne ikke har sat sig fast i emnet. Hvis savklingen binder, kan den arbejde sig ud af arbejdssemnet og forårsage et kast, når man starter saven igen.

Store plader skal afstøttes for at mindske risikoen for kast, på grund af at savklingen sætter sig fast. Store plader har en tendens til at bøje ned i midten på grund af deres egenvægt. Plader skal afstøttes på begge sider, både i nærheden af savsnittet og ved pladens kant.

Anvend aldrig en sløv eller beskadiget savklinge. En savklinge med sløve eller forkert rettede tænder giver et smal savsnit, som kan give en for høj friktion, få klingens til at sætte sig fast og forårsage kast.

Skæredybden og skærevinklen skal indstilles og spændes fast, før man begynder at save. Hvis indstillingen ændres under savningen, kan savklingen sætte sig fast og der kan opstå kast. Vær især forsigtig, hvis der skal udføres et „dyksnit“ i et uoverskueligt område, f.eks. i en eksisterende væg. Savklingen, der skal dykke ned, kan blive blokeret i skjulte genstande og give kast.

Den nederste beskyttelseskærm funktion

Kontroller først, om den nederste beskyttelseskæppe lukker korrekt, hver gang maskinen skal bruges. Anvend aldrig saven, hvis den nederste beskyttelseskæppe ikke kan bevæges frit og ikke lukker sig øjeblikkeligt. Den nederste beskyttelseskæppe må aldrig klemmes eller bindes fast i åbnet stilling. Hvis saven falder ned ved et uheld, kan den nederste beskyttelseskæppe blive bøjet. Åbn beskyttelseskappen med tilbagetrækshåndtaget og overbevis Dem om, at den kan bevæges frit og hverken berører savklingen eller andre dele ved alle skærevinkler og -dybder. Kontroller af fjedrene til den nederste beskyttelseskæppe fungerer ordentlig. Få udført service på maskinen, før den bruges igen, hvis den nederste beskyttelseskæppe og fjederen ikke fungerer korrekt. Den nederste beskyttelseskæppe kan gå trægt, hvis der er beskadigede dele, klæbrige rester eller

Den nederste beskyttelseskæppe må kun åbnes manuelt i forbindelse med specielle snit, f.eks. „dyk – og vinkelsnit“.

Åbn den nederste beskyttelseskæppe med tilbagetrækshåndtaget og slip håndtaget igen, så snart savklingen er trængt ned i arbejdssemnet. Ved alle andre former for savning skal den nederste beskyttelseskæppe fungere automatisk.

Læg aldrig saven fra Dem på et arbejdsbord eller på jorden, uden at den nederste beskyttelseskæppe dækker savklingen. En ubeskyttet savklinge med efterløb vil få saven til at flytte sig baglæns og vil save i alting, der kommer i vejen for den. Derfor er det vigtigt at holde øje med savens efterløbstid.

YDERLIGERE SIKKERHEDS- OG ARBEJDSINFORMATIONER

Bær høreværn. Støjen kan føre til nedsat hørelse.

Når der arbejdes med maskinen, skal man have beskyttelsesbriller på. Beskyttelseshandsker, skridsikre sko, høreværn og forklæde anbefales.

Støv, som opstår i forbindelse med fræsearbejdet, er ofte sundhedsskadeligt og må ikke trænge ind i kroppen. Brug en støvsuger og bær egnet støvbeskyttelsesmaske. Fjern grundigt aflejret støv (f.eks. ved opsugning).

Savklinger, som ikke svarer til data i denne brugsanvisning, må ikke anvendes.

Slibeskiver må ikke indsættes

Ind-/udkobler blokeres ikke i manuel drift.

ARBEJDSANVISNINGER

Undgå ved en tilpasset fremføringshastighed en overopvarmning af savklingens tænder.

NETTILSLUTNING

Tilslutning må kun foretages til enfaset vekselstrøm og kun til en netspænding, som er i overensstemmelse med angivelsen på mærkepladen. Tilslutning kan også ske til stikdåser uden beskyttelseskontakt, da kapslingsklasse II foreligger.

Stikdåser udendørs skal være forsynet med fejlstrømssikringskontakter (FI, RCD, PRCD). Det forlanger installationsforskriften for Deres elektroanlæg. Overhold dette, når De bruger vores maskiner.

Maskinen slutes kun udkoblet til stikdåsen.

Metaldele må ikke trænge ind i ventilationsåbningerne, da dette kan føre til kortslutning

Tilslutningskablet holdes hele tiden væk fra maskinens arbejdsområde. Kablet ledes altid bort bag om maskinen.

Kontroller hvergang, før laderen anvendes, at tilslutningskabel, forlængerledning og stik er i orden. Dele der er beskadiget bør kun repareres hos et autoriseret værksted.

En strømspid forårsager spændingssvingninger og kan påvirke andre elektriske produkter tilsluttet samme strømforsyningslinje. Produktet skal slutes til en strømforsyning med en impedans svarende til 0.368 Ω for at minimere spændingssvingninger.

Kontakt dit el-selskab for nærmere oplysninger.

TILTÆNKT FORMÅL

Håndrundsaven kan bruges til savning af lige snit i træ.



CE-KONFORMITETSERKLÆRING

Vi erklærer som eneansvarlig, at det under „Tekniske data“ beskrevne produkt stemmer overens med alle relevante forskrifter, der følger af direktiv 2011/65/EU (RoHS), 2004/108/EF, 2006/42/EF samt af følgende harmoniserede normative dokumenter:

EN 60745-1:2009 + A11:2010

EN 60745-2-5:2010

EN 55014-1:2006 + A1:2009 + A2:2011

EN 55014-2:1997 + A1:2001 + A2:2008

EN 61000-3-2:2006 + A1:2009 + A2:2009

EN 61000-3-11:2000



Winnenden, 2014-03-03

Alexander Krug / Managing Director
Autoriseret til at udarbejde de tekniske dokumenter.

Techtronic Industries GmbH
Max-Eyth-Straße 10, 71364 Winnenden, Germany

VEDLIGEHOJDELSE

Før ethvert arbejde ved maskinen skal stikket tages ud af stikdåsen.

Husk at afbryde værktøjet fra strømforsyningen inden montering eller udtagning af savklingen.

Rengør maskinen og beskyttelsesudstyret med en tør klud. Nogle rengøringsmidler beskadiger plast eller andre isolerede dele.

Hold altid maskinens ventilationsåbninger rene.

Fjern regelmæssigt støvet. Fjern savspånerne, der har samlet sig inde i saven, for at undgå risici for brand.

Maskinen skal holdes ren og tør samt fri for olie og fedt, der er løbet ud.

Tjek beskyttelsesskærmenes funktion.

Regelmæssig vedligeholdelse og rengøring sørger for en lang holdbarhed og en sikker håndtering.

Hvis elværktøjets tilslutningsledning er beskadiget, skal den erstattes med en specielt forberedt tilslutningsledning, der kan fås via kundeservicens organisation.

Brug kun AEG tilbehør og reservedele. Lad de komponenter, hvis udskiftning ikke er blevet beskrevet, udskifte hos Atlas Copco service (se kundeserviceadresser).

Hvis det er nødvendigt, kan der bestilles en sprængskitse af værktøjet. Angiv herved venligst maskintypen samt det sekscifrede nummer på mærkepladen og bestil tegningen hos din lokale kundeserviceafdeling eller direkte hos Techtronic Industries GmbH, Max-Eyth-Straße 10, 71364 Winnenden, Tyskland.

SYMBOLER



VIGTIGT! ADVARSEL! FARE!



Læs brugsanvisningen nøje før ibrugtagning.



Når der arbejdes med maskinen, skal man have beskyttelsesbriller på.



Brug høreværn!



Benyt egnet åndedrætsværn.



Brug beskyttelseshandsker!



Før ethvert arbejde ved maskinen skal stikket tages ud af stikdåsen.



Brug ikke kraft.



Tilbehør - Ikke inkluderet i leveringsomfanget, kab købes som tilbehør.



Elværktøj må ikke bortskaffes som almindeligt affald! I henhold til det europæiske direktiv 2002/96/EF om bortskaffelse af elektriske og elektroniske produkter og gældende national lovgivning skal brugt værktøj indsamles separat og bortskaffes på en måde, der skåner miljøet mest muligt.



Kapslingsklasse II elværktøj Elværktøj, hvor beskyttelsen mod et elektrisk stød ikke kun afhænger af basisisoleringen men også af, at der anvendes yderligere beskyttelsesforanstaltninger som dobbelt isolering eller forstærket isolering. Der findes ikke udstyr til tilslutning af en beskyttelsesleder.



CE-mærke



TEKNISKE DATA Sirkelsagen	KS 66-2
Produksjonsnummer	4466 76 01 000001-999999
Nominell inngangseffekt	1600 W
Tomgangsturtall	5800 min ⁻¹
Sagblad- \emptyset x hull- \emptyset	190 x 30 mm
sagebladtykkelse	2,2 mm
maks. snittdybde ved 0° / 45° / 56°	63 / 47 / 36 mm
Vekt i henhold til EPTA-Prosedyren 01/2003	4,8 kg
Støy/Vibrasjonsinformasjon Måleverdier fastslått i samsvar med EN 60745. Det typiske A-bedømte støynivået for maskinen er:	
Lydtrykknivå (K=3dB(A))	92,5 dB(A)
Lydeffektnivå (K=3dB(A))	103,5 dB(A)
Bruk hørselsvern!	
Totalt svingningsverdier (vektorsum fra tre retninger) beregnet jf. EN 60745. Saging av tre Svinningsemisjonsverdi $a_{n,W}$ Usikkerhet K=	4,5 m/s ² 1,5 m/s ²



ADVARSEL

Svingningsnivået som er angitt i denne instruksjonen er målt i overensstemmelse med målemetoden normert i direktiv EN 60745 og kan brukes til å sammenligne elektromaskiner med hverandre. Den egner seg også for en foreløbig vurdering av svinningsbelastningen.

Det angitte svinningsnivået representerer de hovedsaklige bruk av elektroverktøyet. Men anvendes elektroverktøyet for andre bruk med avvikende utskiftbare verktøy eller vedlikeholdet er utilstrekkelig, kan svinningsnivået være avvikende.

Dette kan forhøye svinningsbelastning betydelig over hele arbeidsperioden. For en nøyaktig vurdering av svinningsbelastningen må også det tas hensyn til tiden apparatet er avslått eller står på, men ikke er i bruk. Dette kan redusere svinningsbelastningen betydelig over hele arbeidsperioden.

Innfør også ekstra sikkerhetstiltak for å beskytte bruker mot utvirkingen av svinningsene. Disse kan f.eks. være: vedlikehold av elektroverktøyet og det utskiftbare verktøyet, holde hendene varme, organisasjon av arbeidsforløpet.

ADVARSEL! Les alle sikkerhetsinstruksjoner og bruksanvisninger.

Feil ved overholdelsen av advarslene og nedenstående anvisninger kan medføre elektriske støt, brann og/eller alvorlige skader.

Ta godt vare på alle advarslene og informasjonene.

SIKKERHETSINSTRUKSJONER FOR SIRKELSAGEN

Sageprosess

 **FARE: Pass på at hendene ikke kommer inn i sagemrådet og opp i sagbladet. Hold ekstrahåndtaket eller motorhuset fast med den andre hånden.** Når begge hendene holder sirkelsagen, kan sagbladet ikke skade hendene.

Ikke grip under arbeidsstykket. Venedekselet kan ikke beskytte deg mot sagbladet under arbeidsstykket.

Tilpass skjæredybden til tykkelsen på arbeidsstykket. Det skal være mindre enn en full tannhøyde synlig under arbeidsstykket.

Hold aldri arbeidsstykket som skal sages fast med hånden eller over benet. Sikre arbeidsstykket på et stabilt underlag. Det er viktig å feste arbeidsstykket godt for å minimere faren ved kroppskontakt, fastklemming av sagbladet eller hvis du mister kontrollen.

Ta kun tak i elektroverktøyet på de isolerte gripeflatene, hvis du utfører arbeid der innsatsverktøyet kan treffe på skjulte strømledninger eller den egne strømledningen.

Kontakt med en spenningsførende ledning setter også elektroverktøyetts metalleder under spenning og fører til elektriske støt.

Ved langsskjæring må du alltid bruke et anlegg eller en rett kantføring. Dette forbedrer skjærenøyaktigheten og reduserer muligheten til at sagbladet klemmer.

Bruk alltid sagblad med rett størrelse og med passende festehull (f.eks. stjerne-formet eller rund). Sagblad som ikke passer sammen med sagens montasjedeler, går urundt og fører til tap av kontrollen.

Bruk aldri skadede eller gale sagblad-underlagsskiver eller -skruer. Sagblad-underlagsskivene og -skruene ble spesielt konstruert for denne sagen, slik at det oppnås en optimal ytelse og driftssikkerhet. Årsaker til tilbakeslag og hvordan tilbakeslag kan unngås.- Et tilbakeslag er en plutselig reaksjon fra et sagblad som har hengt seg opp, klemt seg fast eller er galt innrettet, og som fører til at en ukontrollert sag løftes opp og beveger seg ut av arbeidsstykket og i retning av brukeren.- Hvis et sagblad henger seg opp eller klemmer seg fast i en sagespalte som lukkes, blokkerer saken og motorkraften slår saken tilbake i retning av brukeren.

- Hvis et sagblad dreies galt eller rettes galt opp i sagsnittet, kan tennene til bakre sagbladkant kile seg fast i overflaten til arbeidsstykket, slik at sagbladet beveger seg ut av sagespalten og sagen springer tilbake i retning av brukeren. **Et tilbakeslag er resultat av en gal eller feilaktig bruk av sagen. Det kan unngås ved å følge egnede sikkerhetstiltak som beskrevet nedenstående. Hold sagen godt fast og plasser armene dine i en stilling som kan ta imot tilbakeslagskrefter. Opphold deg alltid på siden av et sagblad, la aldri sagbladet være i en linje med kroppen din.** Ved et tilbakeslag kan sirkelsagen rykke bakover, men brukeren kan beherske tilbakeslagskreftene, hvis det ble utført egnede tiltak.

Hvis et sagblad klemmer fast eller sagingen avbrytes av andre grunner må du slippe på-/av-bryteren og holde sagen rolig i materialet til sagbladet står helt stille. Forsøk aldri å fjerne sagen fra et arbeidsstykke eller trekke den bakover så lenge sagbladet beveger seg eller det kan oppstå et tilbakeslag. Finn årsaken til at sagbladet er klemt fast og fjern denne årsaken med egnede tiltak. Hvis du vil starte en sag som står fast i arbeidsstykket igjen, sentrerer du sagbladet i sagespalten og kontrollerer om sagtennene ikke har kilt seg fast i arbeidsstykket. Hvis sagbladet klemmer seg fast, kan det bevege seg ut av arbeidsstykket eller forårsake et tilbakeslag når sagen starter igjen.

Støtt store plater for å redusere risikoen for tilbakeslag fra et fastklemt sagblad. Store plater kan bøyes av sin egen vekt. Platene må støttes på begge sider, både i nærheten av sagespalten og på kanten.

Bruk ikke butte eller skadede sagblad. I en for smal sagespalte forårsaker sagblad med butte eller galt opprettede tenner stor friksjon, fastklemming av sagbladet eller tilbakeslag.

Trekk fast skjæredybde- og skjærevinkelinnstillingene fast før sagingen. Hvis innstillingene forandrer seg i løpet av sagingen, kan sagbladet klemmes fast og det kan oppstå et tilbakeslag. Vær spesielt forsiktig når du utfører en „innstikksaging“ i et skjult område, f.eks. en eksisterende vegg. Det innstikkende sagbladet kan blokkere ved saging i skjulte objekter og forårsake et tilbakeslag.

Funksjonen til den nedre vernehetten

Før hver bruk må du kontrollere om det nedre verne- dekslet stenger helt. Ikke bruk sagen hvis det nedre verne- dekslet ikke kan beveges fritt og ikke stenger straks. Klem og bind nedre verne- dekslet aldri fast i åpent posisjon. Hvis sagen skulle falle ned på bakken ved en feiltagelse, kan det nedre verne- dekslet bøyes. Åpne verne- dekslet med tilbaketrekkingssarmen og pass på at det kan beveges fritt og ikke berører verken sagblad eller andre deler i alle skjærevinkler og -dybder. Kontroller fjærens funksjon for nedre verne- dekslet. La mas- kinen gjennomgå service før bruk, hvis nedre verne- dekslet og fjær ikke virker feilfritt. Skadede deler, klebrige avleiringer eller sponhauger medfører at nedre verne- dekslet reagerer forsinket.

Åpne det nedre verne- dekslet manuelt kun ved spesielle snitt, som „innstikk- og vinkelsnitt“. Åpne det nedre verne- dekslet med tilbaketrekkingssarmen og slipp den når sagbladet er trengt inn i arbeidsstykket. Ved alle andre typer saging må det nedre verne- dekslet fungere automatisk.

Legg ikke sagen på arbeidsbenken eller gulvet uten at nedre verne- dekslet dekker over sagbladet. Et ubeskyttet sagblad som fortsatt roterer beveger sagen i motsatt retning av skjæreretningen og sager alt som er i veien. Ta hensyn til tiden sagen fortsatt roterer etter at den er slått av.

YTTERLIGE SIKKERHETS- OG ARBEIDSTRUKSJONER

Bruk hørselsvern. Støy kan føre til tap av hørselen.

Bruk alltid vernebrille når du arbeider med maskinen. Det anbefales å bruke arbeidshansker, faste og sklisikre sko og forkle.

Støv som oppstår under arbeidet er ofte helsefarlig og bør ikke komme inn i kroppen. Bruk støvavsug og i tillegg egnede støvbeskyttelsesmaske. Fjern oppsamlet støv grundig, f.eks. oppsuging.

Ikke bruk sagblad som ikke er i tråd med egenskapene i denne bruksanvisningen.

Bruk ikke slipeskiver.

På-/av-bryteren må ikke klemmes fast under håndholdt drift.

ARBEIDSTRUKSJONER

Unngå, ved bruk av en tilpasset starthastighet, overoppheting av sagbladets tenner.

NETTILKOPLING

Skal bare tilsluttes enfasevekselstrøm og bare til den på skiltet angitte nettspenning. Tilslutning til stikkontakter uten jordat kontakt er mulig fordi beskyttelse beskyttelsesklasse II er forhanden.

Stikkontakter utendørs må være utstyrt med feilstrøm-sikkerhetsbryter (FI,RCD,PRCD). Dette forlanges av installasjonsforskriften for elektroanlegg. Vennligst følg dette når du bruker vårt apparat.

Maskinen må være slått av når den koples til stikkontakten.

På grunn av kortslutningsfare må metalldele ikke komme inn i lufteåpningene.

Hold ledningen alltid vekk fra maskinens virkeområde. Før ledningen alltid bakover fra maskinen.

Kontroller apparat, tilkopplingsledning, skjøteledning og støpsel for skader og aldri før bruk. La en fagmann reparere skadete deler.

Strømstans skaper spenningsvariasjoner og kan påvirke andre elektriske apparater på den samme kursen. Koble produktet til en strømforsyning med en impedans lik 0.368 Ω for å minimere spenningsvingninger.

Kontakt det lokale energiverket for å få en ytterligere klargjøring

FORMÅLSMESSIG BRUK

Sirkelsagen kan brukes til saging av rette kutt i treverk.



Nor

CE-SAMSVARSERKLÆRING

Vi erklærer i alene ansvar at produktet beskrevet i „Teknisk data“ overensstemmer med alle relevante forskrifter til Eu direktiv 2011/65/EU (RoHS), 2004/108/EC, 2006/42/EC og de følgende harmoniserte normative dokumentene.

EN 60745-1:2009 + A11:2010

EN 60745-2-5:2010

EN 55014-1:2006 + A1:2009 + A2:2011

EN 55014-2:1997 + A1:2001 + A2:2008

EN 61000-3-2:2006 + A1:2009 + A2:2009

EN 61000-3-11:2000



Winnenden, 2014-03-03

Alexander Krug / Managing Director
Autorisert til å utarbeide den tekniske dokumentasjonen

Techtronic Industries GmbH
Max-Eyth-Straße 10, 71364 Winnenden, Germany

VEDLIKEHOLD

Trekk støpslet ut av stikkkontakten før du begynner arbeider på maskinen.

Vær sikker på at støpslet er trukket ut av strømkontakten før det demonteres eller monteres sagblad.

Rengjør apparatet og verneinnretningen med en tørr klut. Noen rensedmidler skader plastikken eller andre isolerte deler.

Hold alltid lufteåpningene på maskinen rene.

Fjern støv regelmessig. For å unngå risikoen for brann må du fjerne sagspon som samler seg inne i sagen.

Hold apparatet rent, tørt og fritt for oljen og fettete som skiller ut.

Kontroller funksjonen til vernehettene.

Regelmessig vedlikehold og rengjøring sørger for lang levetid og sikker håndtering.

Er tilkoblingsledningen til elektroverktøyet skadet, må den skiftes ut med en spesielt laget tilkoblingsledning som er å få hos kundeservice organisasjonen.

Bruk kun AEG tilbehør og reservedeler. Komponenter der utskifting ikke er beskrevet skal skiftes ut hos AEG kundeservice (se brosjyre garanti/kundeserviceadresser).

Ved behov kan det fås en eksplosjonstegning av apparatet hos kundeservice eller direkte hos Techtronic Industries GmbH, Max-Eyth-Straße 10, 71364 Winnenden, Germany ved angivelse av maskinens type og det sekstallige nummeret på maskinens skilt.

SYMBOLER



OBS! ADVARSEL! FARE!



Les nøye gjennom bruksanvisningen før maskinen tas i bruk.



Bruk alltid vernebrille når du arbeider med maskinen.



Bruk hørselsvern!



Bruk derfor vernemaske som er egnet for støv.



Bruk vernehansker!



Trekk støpslet ut av stikkkontakten før du begynner arbeider på maskinen.



Ikke bruk kraft.



Tilbehør - inngår ikke i leveransen, anbefalt komplettering fra tilbehørsprogrammet.



Kast aldri elektroverktøy i husholdningsavfallet! I henhold til EU-direktiv 2002/96/EF om kasserte elektriske og elektroniske produkter og direktivets iverksetting i nasjonal rett, må elektroverktøy som ikke lenger skal brukes, samles separat og returneres til et miljøvennlig gjenvinningsanlegg.



Elektroverktøy av verneklasse II Elektroverktøy hvor beskyttelse mot elektrisk slag ikke bare er avhengig av basisisoleringen, men som også er avhengig av at tilleggs vernetiltak som dobbelt eller forsterket isolering blir brukt. Det finnes ingen innretning for tilkobling av en beskyttelsesleder.



CE-tegn

TEKNISKA DATA Cirkelsågen	KS 66-2
Produktionsnummer	4466 76 01 000001-999999
Nominell upptagen effekt	1600 W
Obelastat varvtal	5800 min ⁻¹
Sågklinga- \emptyset x hål- \emptyset	190 x 30 mm
Sågklingans tjocklek	2,2 mm
Max skärdjup vid 0° / 45° / 56°	63 / 47 / 36 mm
Vikt enligt EPTA 01/2003	4,8 kg
Buller-/vibrationsinformation Mätvärdena har tagits fram baserade på EN 60745. A-värdet av maskinens ljudnivå utgör: Ljudtrycksnivå (K=3dB(A)) Ljudeffektsnivå (K=3dB(A)) Använd hörselskydd!	92,5 dB(A) 103,5 dB(A)
Totala vibrationsvärden (vektorsumma ur tre riktningar) framtaget enligt EN 60745. Sågning i trä Vibrationsemissionsvärde $a_{h,w}$ Onoggrannhet K=	4,5 m/s ² 1,5 m/s ²



VARNING

Den i de här anvisningarna angivna vibrationsnivån har uppmätts enligt ett i EN 60745 normerat mätförfarande och kan användas vid jämförelse mellan olika elverktyg. Nivån är även lämplig att använda vid en preliminär bedömning av vibrationsbelastningen.

Den angivna vibrationsnivån representerar den huvudsakliga användningen av det aktuella elverktyget. Men om elverktyget ska användas i andra användningsområden, tillsammans med avvikande insatsverktyg eller efter otillräckligt underhåll, kan vibrationsnivån skilja sig. Det kan öka vibrationsbelastningen betydligt under hela arbetstiden.

För att få en exaktare bedömning av vibrationsbelastningen ska även den tid beaktas, under vilken elverktyget är avstängt eller är påslaget, utan att det verkligen används. Det kan reducera vibrationsbelastningen betydligt under hela arbetstiden.

Lägg som skydd för användaren fast extra säkerhetsåtgärder mot vibrationernas verkan, som till exempel: underhåll av elverktyg och insatsverktyg, varmhållning av händer och organisering av arbetsförlopp.


VARNING! Läs alla säkerhetsanvisningar och andra tillhörande anvisningar.

Fel som uppstår till följd av att anvisningarna nedan inte följts kan orsaka elstöt, brand och/eller allvarliga kroppsskador.

Förvara alla varningar och anvisningar för framtida bruk.

SÄKERHETSANVISNINGAR FÖR CIRKELSÅGEN

Sågprocess

 **FARA: Håll händerna på betryggande avstånd från sågområdet och sågklingan. Håll andra handen på stödhandtaget eller motorhuset.** Om båda händerna hålls på sågen kan de inte skadas av sågklingan.

För inte in handen under arbetsstycket. Klingskyddet kan under arbetsstycket inte skydda handen mot sågklingan.

Anpassa sågdjupet till arbetsstyckets tjocklek. Den synliga delen av en tand under arbetsstycket måste vara mindre än en hel tand.

Arbetsstycket som ska sågas får aldrig hållas i handen eller över benen. Säkra arbetsstycket på ett stabilt underlag.

Det är viktigt att arbetsstycket hålls fast ordentligt för undvikande av kontakt med kroppen, inklämning av sågklinga eller förlorad kontroll över sågen.

Håll fast elverktyget endast vid de isolerade handtagen när arbeten utförs på ställen där insatsverktyget kan skada dolda elledningar eller egen nätsladd. Om elverktyget kommer i kontakt med en spänningsförande ledning sätts elverktygets metalldelar under spänning som sedan leder till elstöt.

Vid längsriktad sågning ska alltid ett anslag eller en rak kantstyrning användas. Detta förbättrar snittnoggrannheten och minskar risken för att sågklingan kommer i kläm.

Använd alltid sågklingor med rätt storlek och lämpligt infästningshål (t.ex. i stjärnform eller rund). Sågklingor som inte passar till sågens monteringskomponenter roterar orunt och leder till att kontrollen förloras över sågen.

Använd aldrig skadade eller felaktiga underläggsbrickor eller skruvar för sågklingan. Underläggsbrickorna och skruvarna för sågklingan har konstruerats speciellt för denna såg för optimal effekt och driftsäkerhet. Orsaker för och eliminering av bakslag:- ett bakslag är en plötslig reaktion hos en sågklinga som hakat upp sig, klämts fast eller är fel inriktad och som leder till att sågen okontrollerat lyfts upp ur arbetsstycket och kastas mot användaren;- om sågklingan hakar upp sig eller kläms fast i sågspåret som går ihop, kommer klingan att blockera varefter motorkraften kastar sågen i riktning mot användaren;

- om sågklingan snedvrids i sågspåret eller är fel inriktad, kan tänderna på sågklingans bakre kant haka upp sig i arbetsstyckets

yta varvid sågklingan går ur sågspåret och hoppar bakåt mot användaren. **Bakslag uppstår till följd av missbruk eller felaktig hantering av sågen. Detta kan undvikas genom skyddsåtgärder som beskrivs nedan. Håll stadigt i sågen med båda händerna och håll armarna i ett läge som möjliggör att hålla stånd mot de bakslagskrafter som eventuellt uppstår. Stå alltid på sidan om sågklingan; håll aldrig sågklingan i linje med kroppen.** Vid ett bakslag kan cirkelsågen hoppa bakåt men användaren kan behärska bakslagskraften om lämpliga åtgärder vidtagits.

Om sågklingan kommer i kläm eller sågning avbryts av annan orsak, släpp Till-Från strömställaren och håll kvar sågen i arbetsstycket tills sågklingan stannat fullständigt. Försök aldrig dra sågen ur arbetsstycket eller bakåt så länge sågklingan roterar eller risk finns för att bakslag uppstår. Lokalisera orsaken för inklämd sågklinga och avhjälj felet. Vill du återstarta en såg som sitter i arbetsstycket centrera sågklingan i sågspåret och kontrollera att sågklingans tänder inte hakat upp sig i arbetsstycket. Är sågklingan inklämd kan den gå upp ur arbetsstycket eller orsaka bakslag vid återstart av sågen.

Stöd stora skivor för att reducera risken för ett bakslag till följd av inklämd sågklinga. Stora och tunga skivor kan böjas ut. Skivorna måste därför stödas på båda sidorna både i närheten av sågspåret och vid skivans kanter.

Använd inte oskarpa eller skadade sågklingor. Sågklingor med oskarpa eller fel inriktade tänder medför till följd av ett för smalt sågspår ökad friktion, inklämning av sågklingan och bakslag. **Före sågning påbörjas dra stadigt fast inställningsanordningarna för sågdjup och snittvinkel. Om inställningarna förändras under sågning kan sågklingan klämmas fast och orsaka bakslag. Var speciellt försiktig vid „insågning“ på ett dolt område, t.ex. i en färdig vägg.** Den inträngande sågklingan kan blockera vid sågning i dolda objekt och försäkra bakslag.

Funktion för den nedre skyddshuven

Kontrollera innan sågen används att det undre klingskyddet stänger felfritt. Sågen får inte tas i bruk om det undre klingskyddet inte är fritt rörligt och inte stängs omedelbart. Kläm eller bind inte fast det undre klingskyddet i öppet läge. Om sågen av misstag faller ner på golvet finns risk att det undre klingskyddet deformeras. Öppna klingskyddet med återdragningsspaken och kontrollera att det är fritt rörligt och att det vid alla snittvinklar och snittdjup varken berör sågklingan eller andra delar. Kontrollera funktionen på fjädern till det undre klingskyddet. Låt sågen repareras innan den tas i bruk om det undre klingskyddet eller fjädern inte fungerar felfritt. Skadade delar, klibbiga avlagringar eller anhopning av spån kan hindra det undre klingskyddets rörelse.

Öppna det undre klingskyddet för hand endast vid speciella snitt som t.ex. „Insågning och vinkelsnitt“. Öppna det undre klingskyddet med återdragningsspaken och släpp den så fort sågklingan gått in i arbetsstycket. Vid all annan sågning måste det undre klingskyddet fungera automatiskt.

Se till att sågklingan skyddas av det undre klingskyddet när sågen läggs bort på arbetsbänk eller golv. En oskyddad och roterande sågklinga förflyttar sågen bakåt och kan säga allt som är i vägen. Beakta även sågens eftergång.

ÖVRIGA SÄKERHETS- OCH ANVÄNDNINGSSINSTRUKTIONER

Bär hörselskydd. Buller kan leda till att du förlorar hörseln. Använd alltid skyddsglasögon, skyddshandskar och hörselskydd.

Dammet som uppkommer vid arbeten med denna maskin kan vara skadligt för hälsan om de når kroppen. Använd ett utsugningssystem och bär skyddsmask. Avlägsna kvarblivande damm med t.ex. en dammsugare.

Sågklinga, vars värden inte överensstämmer med data i denna bruksanvisning, får ej användas.

Slipskivor får inte användas!

Lås ej strömbrytaren vid sågning för hand.

ARBETSANVISNINGAR

Se till att matningshastigheten inte är för hög för att förhindra att sågbladets kuggar blir för varma.

NÄTANSLUTNING

Får endast anslutas till 1-fas växelström och till den spänning som anges på dataskylten. Anslutning kan även ske till eluttag utan skyddskontakt, eftersom konstruktionen motsvarar skyddsklass II.

Anslut alltid verktyget till via en felströmbrytare (FI, RCD, PRCD) vid användning utomhus.

Maskinen skall vara fränkopplad innan den anslutes till väggurtag.

OBS! Undvik att metalldelar hamnar i luftslitsarna - risk för kortslutning!

Nätkabeln skall alltid hållas ifrån arbetsområdet. Lägg kabeln bakåt i förhållande till arbetsriktningen.

Bryt alltid strömmen vid ombyggnads- och servicearbeten.

Spänningstopp ger spänningsvariationer och kan påverka andra elektrisk produkter anslutna till samma källa. Anslut produkten till en strömkälla med impedans motsvarande 0.368 Ω för att minimera svängningar.

Kontakta din elleverantör för ytterligare klagöranden.

ANVÄND MASKINEN ENLIGT ANVISNINGARNA

Cirkelsågen kan användas till raka skär i trä.

CE-FÖRSÄKRAN

Vi intygar och ansvarar för att den produkt som beskrivs under „Tekniska data“ överensstämmer med alla relevanta bestämmelser i direktiv 2011/65/EU (RoHS), 2004/108/EG, 2006/42/EG och följande harmoniserade normerande dokument:

EN 60745-1:2009 + A11:2010

EN 60745-2-5:2010

EN 55014-1:2006 + A1:2009 + A2:2011

EN 55014-2:1997 + A1:2001 + A2:2008

EN 61000-3-2:2006 + A1:2009 + A2:2009

EN 61000-3-11:2000



Winnenden, 2014-03-03

Alexander Krug / Managing Director

Befullmäktigad att sammanställa teknisk dokumentation.

Techtronic Industries GmbH

Max-Eyth-Straße 10, 71364 Winnenden, Germany

SKÖTSEL

Drag alltid ur kontakten när du utför arbeten på maskinen.

Koppla alltid bort verktyget från eluttaget innan du sätter dit eller tar bort sågklingan.

Rengör både verktyget och skyddsanordningen med en torr trasa. En del rengöringsmedel skadar plastmaterialet eller andra isolerade delar på verktyget.

Se till att motorhöljets luftslitsar är rena.

Avlägsna dammet regelbundet. Avlägsna sågspånen inne i sågen för att förhindra brandrisk.

Se till att verktyget alltid är rent och torrt samt fri från olja eller fett.

Kontrollera alltid skyddskåparnas felfria funktion.

Regelbundet underhåll och regelbunden rengöring är förutsättning för en lång livslängd och säker användning.

Om elverktygets anslutningskabel är skadad så ska den bytas ut mot en speciell förmonterad anslutningskabel som kundtjänsten tillhandahåller.

Använd endast AEG tillbehör och reservdelar. Reservdelar vars utbyte ej beskrivs byts bäst av AEG auktoriserad serviceverkstad (se broschyr Garanti/Kundtjänstadresser).

Vid behov kan du rekvidrera apparatens sprängskiss antingen hos kundservicen eller direkt hos Techtronic Industries GmbH, Max-Eyth-Straße 10, 71364 Winnenden, Germany. Du ska då ange maskintypen och numret på sex siffror som står på effektskylten.

SYMBOLER



OBSERVERA! VARNING! FARA!



Läs instruktionen noga innan du startar maskinen.



Använd alltid skyddsglasögon.



Använd hörselskydd!



Bär därför lämplig skyddsmask.



Bär skyddshandskar!



Drag alltid ur kontakten när du utför arbeten på maskinen.



Använd ingen kraft.



Tillbehör - Ingår ej i leveransomfånget, erhålles som tillbehör.



Elektriska verktyg får inte kastas i hushållssoporna! Enligt direktivet 2002/96/EG som avser äldre elektrisk och elektronisk utrustning och dess tillämpning enligt nationell lagstiftning ska uttjänta elektriska verktyg sorteras separat och lämnas till miljövänlig återvinning.



Elverktyg skyddsklass II Elverktyg hos vilket skyddet mot elstötar inte bara är avhängigt av basisoleringen utan också av att det finns extra skyddsåtgärder, som en dubbel isolering eller en förstärkt isolering. Det finns ingen anordning för anslutning av en skyddsledare.



CE-symbol



TEKNISET ARVOT Elektroninen pyörösaha	KS 66-2
Tuotantonumero	4466 76 01 000001-999999
Nimellinen teho	1600 W
Kuormittamaton kierrosluku	5800 min ⁻¹
Sahanterän ø x reiän ø	190 x 30 mm
sahanterän paksuus	2,2 mm
Leikkaussyvyys kulmassa kork. 0° / 45° / 56°	63 / 47 / 36 mm
Paino EPTA-menettelyn 01/2003 mukaan	4,8 kg
Melunpäästö-/värinätiedot Mitta-arvot määritetty EN 60745 mukaan. Koneen tyypillinen A-luokitettu melutaso:	
Melutaso (K=3dB(A))	92,5 dB(A)
Äänenvoimakkuus (K=3dB(A))	103,5 dB(A)
Käytä kuulosuojaimia!	
Värähtelyn yhteisarvot (kolmen suunnan vektorisumma) mitattuna EN 60745 mukaan. Puun sahaaminen Värähtelyemissioarvo a _{n,w} Epävarmuus K=	4,5 m/s ² 1,5 m/s ²



VAROITUS

Näissä ohjeissa mainittu värähtelytaso on mitattu EN 60745 -standardin mukaisella mittausmenetelmällä ja sitä voidaan käyttää sähkötyökalujen vertaamiseen. Sitä voidaan käyttää myös värähtelyrasituksen väliaikaiseen arviointiin.

Mainittu värähtelytaso edustaa sähkötyökalun pääasiallista käyttöä. Jos sähkötyökalua kuitenkin käytetään muihin tehtäviin, poikkeavin työkaluin tai riittämättömästi huoltaen, värähtelytaso voi olla erilainen. Se voi korottaa värähtelyrasitusta koko työajan osalta.

Tarkan värähtelyrasituksen toteamiseen tulee ottaa huomioon aika, jona laite on kytketty pois tai on kylläkin päällä, mutta ei käytössä. Se voi pienentää värähtelyrasitusta koko työajan osalta.

Määrittele lisäturvatoimenpiteitä käyttäjän suojaamiseksi värinöiden vaikutukselta, kuten esimerkiksi: sähkötyökalujen ja käyttötyökalujen huolto, käsien lämpiminä pitäminen, työvaiheiden organisaatio.



VAROITUS! Lue kaikki, myös annetut turvallisuusmääräykset ja käyttöohjeet.

Turvallisuusohjeiden noudattamisen laiminlyönti saattaa johtaa sähköiskuun, tulipaloon ja/tai vakavaan loukkaantumiseen.

Säilytä kaikki turvallisuus- ja muut ohjeet tulevaisuutta varten.



TURVALLISUUS OHJEET ELEKTRONINEN PYÖRÖSAHA

Sahausmenetelmät



VAARA Pidä kädet loitolla sahausalueelta ja sahanterästä. Pidä toinen käsi lisäkavassa tai moottorikotelossa.

Kun molemmat kädet pitelevät pyörösahaa, sahanterä ei pysty vahingoittamaan niitä.

Älä pane käsiä työkappaleen alle. Suojus ei pysty suojaamaan käsiä sahanterältä, jos ne ovat työkappaleen alapuolella.

Aseta leikkaussyvyys työkappaleen paksuuden mukaan.

Työkappaleen alla tulisi terää näkyä korkeintaan täysi hammaskorkeus.

Älä koskaan pidä sahattavaa työkappaletta kädessä tai jalkojen päällä. Tue työkappaletta tukevaa alustaa vasten.

On tärkeää kiinnittää työkappale hyvin, jotta kosketus kehoon, sahanterän jääminen puristukseen ja hallinnan menettäminen estyisi.

Tartu sähkötyökaluun ainoastaan eristetyistä pinnoista, tehdessäsi työtä, jossa saattaisit osua piilossa olevaan sähköjohtoon tai sahan omaan sähköjohtoon.

Kosketus jännitteeseen johtoon saattaa myös sähkötyökalun metalliosat jännitteisiksi ja johtaa sähköiskuun.

Käytä aina oikean kokoisia sahanteriä sopivalla kiinnitysreiällä (timantinmuotoinen tai pyöreä).

Tämä parantaa sahaustarkkuutta ja pienentää riskin, että sahanterä jää puristukseen.

Käytä aina oikean kokoisia ja kiinnityslaippaan sopivia sahanteriä (timantinmuotoinen tai pyöreä). Sahanterät, jotka eivät sovi sahan asennusosiin pyörivät epäkeskeisesti ja johtavat sahan hallinnan menettämiseen.

Älä koskaan käytä vaurioituneita sahanterän kiinnityslaattoja tai -pulttia. Sahanterän kiinnityslaatat ja -pultti on suunniteltu erityisesti sahasi varten, antaen parasta mahdollista tehokkuutta ja toimintavarmuutta.

Takaiskun syy ja miten sen estät:- takaisku on äkillinen reaktio, joka johtuu kiinni tarttuneesta, puristukseen jääneestä tai väärin suunnatusta sahanterästä, joka saa hallitsemattoman sahan ponnahtelemaan ylös työkappaleesta käyttäjää kohti;- jos sahanterä tarttuu tai jää puristukseen sulkeutuvaan sahausuraan, sitä jarrutetaan

voimakkaasti ja moottorin voima saattaa sahan ponnahtamaan taaksepäin käyttäjää kohti;

- jos sahanterä kääntyy tai suunnataan väärin sahausurassa, saattavat sahanterän takareunan hampaat tarttua työkappaleen yläpintaan, jolloin sahanterä kiipeää ylös urasta ja saha hypähtää käyttäjää kohti. **Takaisku johtuu sahan väärinkäytöstä tai sahan käytöstä väärään tarkoitukseen tai väärissä olosuhteissa. Se voidaan estää sopivin varotoimin, joita selostetaan seuraavassa. Pidä sahaa tukevasti kaksin käsin ja saata käsivarret asentoon, jossa voit vastustaa takaiskun voimaa. Pidä kehosi jommallakummalla puolella sahanterää, mutta ei linjalla sahanterän kanssa.** Takaiskussa sinkoutuu pyörösaha taaksepäin, käyttäjä voi kuitenkin hallita takaiskuvoimia, jos vain noudatetaan määrättyjä varotoimia.

Jos sahanterä jää puristukseen tai jos sahaus keskeytetään muusta syystä, tulee päästää ote käynnistyskytkimestä ja pitää saha paikoillaan, kunnes terä on pysähtynyt täysin. Älä koskaan koeta vetää sahanterää ylös työkappaleesta tai taaksepäin niin kauan kuin sahanterä pyörii, se saattaa johtaa takaiskuun. Etsi syy sahanterän puristukseen ja poista se sopivin toimenpitein. Kun tahdot käynnistää uudelleen sahan, joka on työkappaleessa, keskitä sahanterä sahausurassa ja tarkista, että hampaat eivät ole tarttuneet työkappaleeseen. Jos sahanterä on puristuksessa, se saattaa kivetä ylös työkappaleesta tai aiheuttaa takaiskun, kun saha käynnistetään.

Tue isot levyt, sahanterän puristuksen aiheuttaman takaiskuvaaran minimoimiseksi. Suurilla levyillä on taipumus taipua oman painonsa takia. Levyt tulee tukea molemmilta puolilta, sekä sahanterän vierestä, että reunoista.

Älä käytä tylsiä tai vaurioituneita sahanterä. Sahanterät, joissa on tylsät tai väärin suunnatut hampaat tekevät liian ahtaan sahausuran, mikä johtaa liialliseen kitkaan, sahanterän puristukseen ja takaiskuun.

Kiristä sahausvyöyden ja leikkauskulman säätöruuvit kiinni. Jos muutat säätöjä sahauksen aikana, saattaa se johtaa sahanterän puristukseen ja takaiskuun. Ole erityisen varovainen kun sahaat "upposahauksen" peitossa olevaan alueeseen, esim. seinään. Sahanterä saattaa upotessaan osua piilossa oleviin kohteisiin, jotka aiheuttavat takaiskun.

Alemman suojakuvun toiminta

Tarkista ennen jokaista käyttöä, että alempi suojus sulkeutuu moitteettomasti. Älä käytä sahaa, jos alempi suojus ei liiku vapaasti ja sulkeudu välittömästi. Älä koskaan purista tai sido alemmaa suojusta auki-asentoon. Jos saha tahattomasti putoaa lattiaan, saattaa alempi suojus taipua. Nosta suojusta nostovivulla ja varmista, että suojus liikkuu vapaasti, eikä kosketa sahanterää tai muita osia missään sahauskulmassa. Tarkista alemman suojuksen jousen toiminta. Anna huolta saha, jos alempi suojus tai jousi ei toimi moitteettomasti. Alempi suojus saattaa toimia jäykkäliikkeisesti johtuen vioittuneista osista, tahmeista kerrostumista tai lastukasaantumista.

Avaa alempi suojus käsin vain erikoisissa sahauksissa, kuten "uppo- ja kulmasahauksissa". Avaa alempi suojus nostovivulla, ja päästä se vapaaksi heti, kun sahanterä on uponnut työkappaleeseen. Kaikissa muissa sahaustöissä alemman suojuksen tulee toimia automaattisesti.

Älä aseta sahaa työpenkille tai lattialle, ellei alempi suojus peitä sahanterää. Suojaamaton jälkikäyvä sahanterä kuljettaa sahaa taaksepäin ja sahaa kaiken, mikä osuu sen tielle. Ota huomioon, että kestää vähän aikaa ennen kuin sahanterä pysähtyy, virran katkaisun jälkeen.

TÄYDENTÄVIÄ TURVALLISUUSMÄÄRÄYKSIÄ JA TYÖSKENTELYOHJEITA

Käytä korvasuojia. Melulle altistuminen voi heikentää kuuloa.

Käytä laitteella työskennellessäsi aina suojalaseja. Suojakäsineiden, turvallisten ja tukevapohjaisten kenkien, kuulosuojainten ja suojaesiliinan käyttöä suositellaan.

Työstössä syntyvä pöly saattaa olla terveydelle vahingollista, joten sen koskettaminen tai hengittäminen tulisi välttää. Liitä kone kohdeimujärjestelmään ja käytä sopivaa pölysuojaa kasvoilla. Poista laskeutunut pöly huolellisesti esimerkiksi pölynimurilla.

Sahanterä, joiden tunnustetiedot eriyvät tästä käyttöohjeesta, ei saa käyttää.

Ei saa käyttää hiomalaikkoja!

Käynnistyskytkintä ei saa käsinohjaussahauksessa lukita.

TYÖSKENTELYOHJEITA

Vältä sahanterän hampaiden ylikuumentumisen käyttämällä tarkoitukseen sopivaa nopeutta.

VERKKOLIITÄNTÄ

Yhdistä ainoastaan yksivaiheiseen vaihtovirtaan, jonka verkkojännite on sama kuin tyyppikilvessä ilmoitettu. Myös liittäminen maadoittamattomiin pistorasioihin on mahdollista, sillä rakenne vastaa turvallisuusluokkaa II.

Ulkokäytössä olevat pistorasiat on varustettava vikavirta-suojakytkimillä (FI, RCD PRCD) sähkölaitteistosi asennusmääräyksen mukaisesti. Muista tarkistaa, että laite liitetään ulkokäytössä ulkopistorasiaan ja neuvottele asiasta sähköasentajasi kanssa.

Varmista, että kone on sammutettu ennen kytkemistä sähköverkkoon.

Älä päästä metalliesineitä tuuletusaukkoihin - oikosulkuvaara

Pidä sähköjohto poissa koneen käyttöalueelta. Siirrä se aina taaksesi.

Tarkista ennen jokaista käyttökertaa, ettei laitteessa, liitäntäjohdossa, jatkojohdossa ja pistotulpassa ole vaurioita eikä niissä ole tapahtunut muutoksia. Viiallisia osia saa korjata vain alan ammattilainen.

Virtapiikki aiheuttaa jännitteen heilahtelua ja voi vaikuttaa muihin samaan syöttöverkkoon kytkettyihin tuotteisiin. Minimoidaksesi jänniteheilahtelun kytke tuote pistorasiaan, jonka impedanssi on 0.368 Ω.

Lisätietoja saa sähköyhtiöltä.

TARKOITUKSEN MUKAINEN KÄYTTÖ

Elektroninen pyörösaha sahaa tarkasti pitkittäin ja jiiriin puuta.

TODISTUS CE-STANDARDIN MUKAISUUDESTA

Vakuutamme yksinvastuullisesti, että kohdassa „Tekniset tiedot“ kuvattu tuote vastaa kaikkia sitä koskevia direktiivien 2011/65/EU (RoHS), 2004/108/EY, 2006/42/EY määräyksiä sekä seuraavia harmonisoituja standardisoivia asiakirjoja:

EN 60745-1:2009 + A11:2010

EN 60745-2-5:2010

EN 55014-1:2006 + A1:2009 + A2:2011

EN 55014-2:1997 + A1:2001 + A2:2008

EN 61000-3-2:2006 + A1:2009 + A2:2009

EN 61000-3-11:2000



Suo



Winnenden, 2014-03-03

Alexander Krug

Alexander Krug / Managing Director
Valtuutettu kokoamaan tekniset dokumentit.

Techtronic Industries GmbH
Max-Eyth-Straße 10, 71364 Winnenden, Germany

HUOLTO

Irrota aina pistotulppa seinäkoskettimesta ennen koneeseen tehtäviä toimempiteitä.

Muista irrottaa laite virtalähteestä, ennen kuin kiinnität tai irrotat sahanterän.

Puhdista laite ja suojaruusteet kuivalla liinalla. Monet puhdistusaineet vahingoittavat muovia tai muita eristettyjä osia.

Pidä moottorin ilmanottoaukot puhtaina.

Poistakaa pöly säännöllisesti. Poistakaa sahan sisäosiin kertyneet sahanpurut palovaaran välttämiseksi.

Pidä laite puhtaana ja kuivana ja poista ulos valunut öljy tai rasva heti.

Tarkasta suojakupujen toiminta.

Säännöllinen huolto ja puhdistus varmistavat pitkän eliniän ja turvallisen käsittelyn.

Jos sähkötyökalun verkkoliitäntäjohto on vahingoittunut, se täytyy korvata erityisvalmisteisella verkkoliitäntäjohdolla, joka on saatavana teknisen asiakaspalvelun kautta.

Käytä vain AEG:n lisälaitteita ja varaosia. Käytä ammattitaitoisten AEG-huoltosopimusliikkeiden palveluja muiden kuin käyttöohjeessa kuvattujen osien vaihdossa. (esite takuu/huoltoliikeluettelo).

Tarvittaessa voit pyytää laitteen räjähdyspiirustuksen ilmoittaen konetyypin ja tyyppikilvessä olevan kuusinumeroisen luvun huoltopalvelustasi tai suoraan osoitteella Techtronic Industries GmbH, Max-Eyth-Strasse 10, 71364 Winnenden, Saksa.

SYMBOLIT



HUOMIO! VAROITUS! VAARA!



Lue käyttöohjeet huolellisesti, ennen koneen käynnistämistä.



Käytä laitteella työskennellessäsi aina suojalaseja.



Käytä kuulosuojaimia!



Koneella työskennellessä on käytettävä sopivaa suojainta.



Käytä suojakäsineitä!



Irrota aina pistotulppa seinäkoskettimesta ennen koneeseen tehtäviä toimempiteitä.



Älä käytä väkivoimaa.



Lisälaite - Ei sisälly vakiovarustukseen, saatavana lisätervikkeena.



Älä hävitä sähkötyökalua tavallisen kotitalousjätteen mukana! Vanhoja sähkö- ja elektroniikkalaitteita koskevan EU-direktiivin 2002/96/ETY ja sen maakohtaisten sovellusten mukaisesti käytetyt sähkötyökalut on toimitettava ongelmajätteen keräyspisteeseen ja ohjattava ympäristöystävälliseen kierrätykseen.



Suojaluokan II sähkötyökalu Sähkötyökalu, jonka sähköiskunsuojaus ei ole riippuvainen ainoastaan peruseristyksestä, vaan myös siitä, että käytetään lisäturvatoimia, kuten kaksinkertaista eristystä tai vahvistettua eristystä. Laitteessa ei ole suojajohtimen liittämiseen tarvittavia varusteita.



CE-merkki



Suo

ΤΕΧΝΙΚΑ ΣΤΟΙΧΕΙΑ ΔΙΣΚΟΠΡΙΟΝΟ	KS 66-2
Αριθμός παραγωγής	4466 76 01 000001-999999
Ονομαστική ισχύς	1600 W
Αριθμός στροφών χωρίς φορτίο	5800 min ⁻¹
Διάμετρος λεπίδας πριονιού x διάμετρος διάτρησης	190 x 30 mm
Πάχος πριονοδίσκου	2,2 mm
Μέγ. βάθος κοπής 0° / 45° / 56°	63 / 47 / 36 mm
Βάρος σύμφωνα με τη διαδικασία EPTA 01/2003	4,8 kg
Πληροφορίες θορύβου/δονήσεων Τιμές μέτρησης εξακριβωμένες κατά EN 60745. Η σύμφωνα με την καμπύλη A εκτιμηθείσα στάθμη θορύβου του μηχανήματος αναφέρεται σε: Στάθμη ηχητικής πίεσης (K=3dB(A)) Στάθμη ηχητικής ισχύος (K=3dB(A)) Φοράτε προστασία ακοής (ωτασπίδες)!	92,5 dB(A) 103,5 dB(A)
Υλικές τιμές κραδασμών (άθροισμα διανυσμάτων τριών διευθύνσεων) εξακριβώθηκαν σύμφωνα με τα πρότυπα EN 60745. Πριόνισμα ξύλων Τιμή εκπομπής δονήσεων a _{h,w} Ανασφάλεια K=	4,5 m/s ² 1,5 m/s ²



ΠΡΟΕΙΔΟΠΟΙΗΣΗ

Το αναφερόμενο σ' αυτές τις οδηγίες επίπεδο δονήσεων έχει μετρηθεί με μια τυποποιημένη σύμφωνα με το EN 60745 μέθοδο μέτρησης και μπορεί να χρησιμοποιηθεί για τη σύγκριση των ηλεκτρικών εργαλείων μεταξύ τους. Αυτό είναι επίσης κατάλληλο για μια προσωρινή εκτίμηση της επιβάρυνση των δονήσεων.

Το αναφερόμενο επίπεδο δονήσεων αντιπροσωπεύει τις κύριες χρήσεις του ηλεκτρικού εργαλείου. Εάν όμως το ηλεκτρικό χρησιμοποιείται σε άλλες χρήσεις, με διαφορετικά εργαλεία εφαρμογής ή ανεπαρκή συντήρηση, μπορεί να υπάρξει απόκλιση του επιπέδου δονήσεων. Αυτό μπορεί να αυξήσει σημαντικά την επιβάρυνση των δονήσεων για τη συνολική διάρκεια της εργασίας.

Για μια ακριβή εκτίμηση της επιβάρυνσης των δονήσεων οφείλουν επίσης να λαμβάνονται υπόψη οι χρόνοι, στους οποίους η συσκευή είναι απενεργοποιημένη ή είναι μεν ενεργοποιημένη αλλά δεν χρησιμοποιείται πραγματικά. Αυτό μπορεί να μειώσει σημαντικά την επιβάρυνση των δονήσεων για τη συνολική διάρκεια της εργασίας.

Καθορίζετε πρόσθετα μέτρα ασφαλείας για την προστασία του χειριστή από την επίδραση των δονήσεων όπως για παράδειγμα: Συντήρηση του ηλεκτρικού εργαλείου και των εργαλείων εφαρμογής, διατηρείτε ζεστά τα χέρια, οργάνωση των διαδικασιών εργασίας.


ΠΡΟΕΙΔΟΠΟΙΗΣΗ! Διαβάστε όλες τις Υποδείξεις ασφαλείας και τις Οδηγίες.

Αμέλειες κατά την τήρηση των προειδοποιητικών υποδείξεων μπορεί να προκαλέσουν ηλεκτροπληξία, κίνδυνο πυρκαγιάς ή/και σοβαρούς τραυματισμούς.

Φυλάξτε όλες τις προειδοποιητικές υποδείξεις και οδηγίες για κάθε μελλοντική χρήση.

ΟΔΗΓΙΕΣ ΑΣΦΑΛΕΙΑΣ ΓΙΑ ΔΙΣΚΟΠΡΙΟΝΟ

Μέθοδοι πριονίσματος

 **ΚΙΝΔΥΝΟΣ:** Μη βάζετε τα χέρια σας στην περιοχή του πριονιού ή στον πριονόδισκο. Κρατάτε με το άλλο [το δεύτερο] χέρι σας την πρόσθετη λαβή ή το περίβλημα του κινητήρα. Όταν κρατάτε το δισκοπρίο και με τα δυο σας χέρια τότε ο πριονόδισκος δεν μπορεί να σας τραυματίσει.

Μη βάζετε τα χέρια σας κάτω από το υπό κατεργασία τεμάχιο. Ο προφυλακτήρας δεν μπορεί να τα προστατέψει από τον πριονόδισκο όταν αυτά βρίσκονται κάτω από το υπό κατεργασία τεμάχιο.

Προσαρμόστε το βάθος κοπής στο πάχος του υπό κατεργασία τεμαχίου. Κάτω το υπό κατεργασία τεμάχιο πρέπει να φαίνεται λιγότερο από ένα ολόκληρο δόντι του πριονόδισκου.

Μη συγκρατείτε ποτέ το υπό κατεργασία τεμάχιο με το χέρι και μην το ακουμπάτε ποτέ στα πόδια [τα σκέλη] σας. Ασφαλίστε το υπό κατεργασία τεμάχιο επάνω σε μια σταθερή επιφάνεια. Το καλό στερέωμα του υπό κατεργασία τεμαχίου είναι πολύ σημαντικό επειδή έτσι μειώνεται στο ελάχιστο ο κίνδυνος της επαφής του με το σώμα σας, το μπλοκάρισμα του πριονόδισκου ή η απώλεια του ελέγχου του.

Να πιάνετε το ηλεκτρικό εργαλείο μόνο από τις προβλεπόμενες γι' αυτό το σκοπό μονωμένες επιφάνειές του, όταν εκτελείτε εργασίες στις οποίες υπάρχει κίνδυνος το εργαλείο που χρησιμοποιείτε να συναντήσει ηλεκτροφόρους αγωγούς ή το δικό του ηλεκτρικό καλώδιο. Η επαφή μ' ένα ηλεκτροφόρο αγωγό θέτει τα μεταλλικά τμήματα του ηλεκτρικού εργαλείου επίσης υπό τάση και οδηγεί έτσι σε ηλεκτροπληξία.

Όταν διεξάγετε διαμήκεις [μακρουλές] κοπές χρησιμοποιείτε πάντοτε έναν οδηγό κοπής ή μια διάταξη ευθυγράμμισης της τομής. Μ' αυτόν τον τρόπο βελτιώνεται η ακρίβεια της τομής και ελαττώνονται οι πιθανότητες σφηνώματος του πριονόδισκου.

Χρησιμοποιείτε πάντοτε πριονόδισκους με το σωστό μέγεθος και με κατάλληλη τρύπα υποδοχής (π. χ. με στρογγυλή ή αστεροειδή τρύπα). Πριονόδισκοι που δεν ταιριάζουν με τα εξαρτήματα συναρμολόγησης του πριονιού περιστρέφονται ασύμμετρα και οδηγούν στην απώλεια του ελέγχου του μηχανήματος.

Μη χρησιμοποιήσετε ποτέ χαλασμένους ή ακατάλληλους πριονόδισκους, ακατάλληλες ροδέλες ή βίδες. Οι ροδέλες και οι βίδες κατασκευάζονται ειδικά για τον εκάστοτε πριονόδισκο κι εξασφαλίζουν έτσι τη μέγιστη δυνατή απόδοση και ασφάλεια λειτουργίας. Αιτίες και αποφυγή κλοτσήματος:-το κλότσημα είναι η απροσδόκητη P553αντίδραση του πριονόδισκου όταν αυτός, „σκοντάψει“ ή μπλοκάρει ή όταν είναι λάθος συναρμολογημένος αυτό προκαλεί το ανασήκωμα του ανεξέλεγκτου πλέον πριονιού από το υπό κατεργασία τεμάχιο και στην κίνησή του με κατεύ-όταν ο πριονόδισκος ή σφηνώσει στη σχισμή πριονίσματος όταν αυτή κλείνει, τότε αυτός μπλοκάρει και η δύναμη του κινητήρα „κλωτά“ το μηχάνημα με κατεύθυνση προς το χειριστή·

-όταν ο πριονόδισκος στρεβλώσει ή όταν είναι λάθος συναρμολογημένος, τότε δεν αποκλείεται τα δόντια στην πίσω ακμή του πριονόδισκου να σφηνώσουν στην επιφάνεια του υπό κατεργασία τεμαχίου κι έτσι ο πριονόδισκος να πεταχτεί έξω από το υπό κατεργασία τεμάχιο και το πριόνι να εκτιναχτεί με κατεύθυνση προς ο χειριστή·**Το κλότσημα αποτελεί συνέπεια ενός εσφαλμένου ή ελλιπούς χειρισμού του πριονιού. Μπορεί να αποφευχθεί με κατάλληλα προληπτικά μέτρα, όπως αυτά που περιγράφονται παρακάτω. Να κρατάτε το πριόνι και με τα δυο σας χέρια και να δίνετε στους βραχιόνες σας μια θέση, στην οποία θα μπορέσετε να αντιμετωπίσετε τυχόν αντιδραστικές δυνάμεις [κλωτσήματα] του μηχανήματος. Να στέκεστε πάντα δίπλα από τον πριονόδισκο και ποτέ στην ίδια γραμμή μ' αυτόν.** Σε περίπτωση κλοτσήματος το δισκοπρίονο μπορεί μεν να εκτιναχτεί προς τα πίσω, όμως, όταν έχουν ληφθεί κατάλληλα προληπτικά μέτρα, ο χειριστής μπορεί να αντιμετωπίσει με επιτυχία το κλότσημα.

Σε περίπτωση που ο πριονόδισκος μπλοκάρει ή το πριόνισμα διακοπεί από οποιοδήποτε άλλη αιτία, τότε αφήστε το διακόπτη ON/OFF ελεύθερο και κρατήστε το πριόνι με ηρεμία μέσα στο υλικό μέχρι να ακινητοποιηθεί εντελώς ο πριονόδισκος. Μην προσπαθήσετε ποτέ να απομακρύνετε το πριόνι από το υπό κατεργασία τεμάχιο ή να το τραβήξετε προς τα πίσω όσο ο πριονόδισκος κινείται ή όταν υπάρχει ακόμη κίνδυνος κλοτσήματος. Εξακριβώστε την αιτία του μπλοκαρίσματος του πριονόδισκου και εξουδετερώστε την με τα κατάλληλα μέτρα. Όταν θελήσετε να εκκινήσετε πάλι ένα ακινητοποιημένο πριόνι του οποίου ο πριονόδισκος βρίσκεται μέσα στο υπό κατεργασία τεμάχιο, ευθυγραμμίστε τον πριονόδισκο μέσα στη σχισμή κοπής κι ελέγξτε, μήπως τα δόντια του είναι σφηνωμένα μέσα στο υπό κατεργασία τεμάχιο. Όταν ο πριονόδισκος είναι μπλοκαρισμένος μπορεί να πεταχτεί έξω από το υπό κατεργασία τεμάχιο ή να κλωτσήσει όταν το πριόνι τεθεί πάλι σε λειτουργία.

Μεγάλες υπό κατεργασία πλάκες πρέπει να υποστηρίζονται για να μειωθεί ο κίνδυνος κλοτσήματος από έναν τυχόν σφηνωμένο πριονόδισκο. Οι μεγάλες πλάκες μπορεί να λυγίσουν από το ίδιο τους το βάρος. Οι πλάκες πρέπει να υποστηρίζονται και στις δυο πλευρές τους, και κοντά στον πριονόδισκο και στα άκρα τους.

Μη χρησιμοποιείτε αμβλίες ή χαλασμένους πριονόδισκους. Πριονόδισκοι με μη κοφτερά ή με λάθος ευθυγραμμισμένα δόντια προκαλούν, εξαιτίας της πολύ στενής σχισμής πριονίσματος, αύξηση της τριβής, σφηνώμα του πριονόδισκου και κλότσημα.

Πριν το πριόνισμα σφίξτε καλά τις διατάξεις ρύθμισης του βάθους και της γωνίας κοπής. Σε περίπτωση που οι ρυθμίσεις μεταβληθούν κατά τη διάρκεια του πριονίσματος μπορεί να μπλοκάρει ο πριονόδισκος και να οδηγήσει έτσι σε κλότσημα. Προσέχετε ιδιαίτερα όταν διεξάγετε „κοπές βύθισης“ σε μη ορατούς τομείς, π. χ. σ' έναν ήδη υπάρχοντα τοίχο. Ο βυθιζόμενος πριονόδισκος μπορεί να μπλοκάρει σε μη ορατά αντικείμενα και να οδηγήσει έτσι σε κλότσημα.

Λειτουργία του κάτω καλύμματος προστασίας

Ελέγχετε πριν από κάθε χρήση αν κλείνει άψογα ο κάτω προφυλακτήρας. Μη χρησιμοποιήσετε το πριόνι όταν ο κάτω προφυλακτήρας δεν κινείται ελεύθερα και δεν κλείνει αμέσως. Μη σφηνώνετε και μη δένετε ποτέ τον κάτω προφυλακτήρα για να παραμείνει ανοιχτός. Ο κάτω προφυλακτήρας μπορεί να στρεβλωθεί σε περίπτωση που το πριόνι πέσει αθέλητα στο έδαφος. Ανοίξτε τον προφυλακτήρα με τη βοήθεια της λαβής και βεβαιωθείτε ότι κινείται ελεύθερα καθώς και ότι δεν εγγίζει τον πριονόδισκο ή άλλα τμήματα του πριονιού, σε οποιαδήποτε βάθος ή γωνία κοπής κι αν ρυθμιστεί. Ελέγξτε τη λειτουργία του ελατηρίου του κάτω προφυλακτήρα. Δώστε το μηχάνημα για συντήρηση πριν το χρησιμοποιήσετε σε περίπτωση που ο κάτω προφυλακτήρας ή/και το ελατήριο δε λειτουργούν άψογα. Χαλασμένα εξαρτήματα, κολλώδη ιζήματα ή συσσωρεύσεις γρεζιών ή ροκανιδιών επιβραδύνουν την κίνηση του προφυλακτήρα.

Ο κάτω προφυλακτήρας επιτρέπεται να ανοιχτεί με το χέρι μόνο για τη διεξαγωγή ιδιαίτερων κοπών, π. χ. για „κοπές βύθισης και κοπές γωνιών“. Ανοίξτε τον προφυλακτήρα με τη βοήθεια της λαβής κι αφήστε τον πάλι ελεύθερο μόλις ο πριονόδισκος βυθιστεί στο υπό κατεργασία τεμάχιο. Σε όλες τις άλλες εργασίες κοπής ο προφυλακτήρας πρέπει να λειτουργεί αυτόματα.

Μην αποθέσετε το πριόνι επάνω στο τραπέζι εργασίας ή στο δάπεδο χωρίς ο κάτω προφυλακτήρας να καλύπτει τον πριονόδισκο. Ένας ακάλυπτος πριονόδισκος που συνεχίζει να περιστρέφεται κινεί το πριόνι με φορά αντίθετη της φοράς κοπής και πριονίζει ότι συναντήσει στο δρόμο του. Λάβετε υπόψη σας το χρόνο που χρειάζεται μέχρι να ακινητοποιηθεί εντελώς το πριόνι [χρόνος ιχνηλασίας].

ΠΕΡΑΙΤΕΡΩ ΟΔΗΓΙΕΣ ΑΣΦΑΛΕΙΑΣ ΚΑΙ ΧΡΗΣΕΩΣ

Φοράτε ωτοασπίδες. Η επίδραση του θορύβου μπορεί να προκαλέσει απώλεια ακοής.

Στις εργασίες με τη μηχανή φοράτε πάντοτε προστατευτικά γυαλιά. Συνίστανται τα προστατευτικά γάντια, τα σταθερά και αντιολισθητικά παπούτσια και η ποδιά.

Η δημιουργούμενη κατά την εργασία σκόνη είναι συχνά επιβλαβής για την υγεία και δεν πρέπει να έρχεται σε επαφή με το σώμα.

Χρησιμοποιείτε μια διάταξη αναρρόφησης της σκόνης και φοράτε επιπλέον μια κατάλληλη προσωπίδα προστασίας από τη σκόνη. Απομακρύνετε επιμελώς τη μαζεμένη σκόνη, π.χ. με αναρρόφηση.

Οι λεπίδες πριονιού, που δεν αντιστοιχούν με τα χαρακτηριστικά στοιχεία σε αυτές τις οδηγίες χρήσης, δεν επιτρέπεται να χρησιμοποιηθούν.

Παρακαλώ, μην τοποθετείτε λειαντικούς δίσκους!

Μην ασφαλίσετε σταθερά το διακόπτη ενεργοποίησης/ απενεργοποίησης στη λειτουργία χειρός.

ΥΠΟΔΕΙΞΕΙΣ ΕΡΓΑΣΙΑΣ

Αποφύγετε υπερθέρμανση των δοντιών της λάμας του πριονιού ρυθμίζοντας την ταχύτητά του πριονιού.

ΣΥΝΔΕΣΗ ΣΤΟ ΗΛΕΚΤΡΙΚΟ ΔΙΚΤΥΟ

Συνδέετε μόνο σε μονοφασικό εναλλασσόμενο ρεύμα και μόνο σε τάση δικτύου όπως αναφέρεται στην πινακίδα τεχνικών χαρακτηριστικών. Η σύνδεση είναι επίσης εφικτή σε πρίζες χωρίς προστασία επαφής, διότι έχει προβλεφθεί εξοπλισμός κατηγορίας προστασίας II.

Οι πρίζες στους εξωτερικούς χώρους πρέπει να είναι εξωπλισμένες με μικροαυτόματους διακόπτες προστασίας (FI, RCD, PRCD). Αυτό

απαιτεί ο σχετικός κανονισμός από την ηλεκτρική σας εγκατάσταση. Προσέξτε παρακαλώ αυτό το σημείο κατά τη χρήση της συσκευής μας.

Συνδέετε τη μηχανή στην πρίζα μόνο αν ο διακόπτης είναι στη θέση απενεργοποίησης.

Λόγω του κινδύνου βραχυκυκλώματος δεν επιτρέπεται να μπαίνουν μεταλλικά αντικείμενα στις σχισμές εξαιρισμού.

Κρατάτε το καλώδιο σύνδεσης πάντοτε μακριά από την περιοχή δράσης της μηχανής. Περνάτε το καλώδιο πάντοτε πίσω από τη μηχανή.

Πριν από κάθε χρήση ελέγχετε τη συσκευή, το καλώδιο σύνδεσης, το καλώδιο επέκτασης (μπαλαντζά) και το φως για τυχόν ζημιά και γήρανση. Αναθέτετε την επισκευή των κατεστραμμένων εξαρτημάτων μόνο σε έναν ειδικευμένο τεχνίτη.

Τα υπερρεύματα προκαλούν διακυμάνσεις στην τάση και μπορεί να επηρεάσουν άλλα ηλεκτρικά προϊόντα στην ίδια γραμμή. Συνδέστε το προϊόν σε παροχή ρεύματος με σύνθετη αντίσταση 0.368 Ω για να ελαχιστοποιηθούν οι διακυμάνσεις τάσης.

Επικοινωνήστε με την εταιρεία παροχής ηλεκτρικού ρεύματος για περισσότερες διευκρινίσεις.

ΧΡΗΣΗ ΣΥΜΦΩΝΑ ΜΕ ΤΟ ΣΚΟΠΟ ΠΡΟΟΡΙΣΜΟΥ

Το κυκλικό πριόνι χειρός χρησιμοποιείται για το πριόνισμα ευθύγραμμων τομών σε ξύλο.

ΔΗΛΩΣΗ ΠΙΣΤΟΤΗΤΑΣ ΕΚ

Δηλώνουμε υπεύθυνα ότι το προϊόν που περιγράφεται στο κεφάλαιο «Τεχνικά χαρακτηριστικά» είναι συμβατό με τις διατάξεις της Κοινοτικής Οδηγίας 2011/65/EU (RoHS), 2004/108/EK, 2006/42/EK και με τα ακόλουθα εναρμονισμένα κανονιστικά έγγραφα:

EN 60745-1:2009 + A11:2010

EN 60745-2-5:2010

EN 55014-1:2006 + A1:2009 + A2:2011

EN 55014-2:1997 + A1:2001 + A2:2008

EN 61000-3-2:2006 + A1:2009 + A2:2009

EN 61000-3-11:2000



Winnenden, 2014-03-03

Alexander Krug / Managing Director
Εξουσιοδοτημένος να συντάξει τον τεχνικό φάκελο.

Techtronic Industries GmbH
Max-Eyth-Straße 10, 71364 Winnenden, Germany

ΣΥΝΤΗΡΗΣΗ

Πριν από κάθε εργασία στη μηχανή τραβάτε το φως από την πρίζα.

Αποσυνδέετε το εργαλείο από το ρεύμα πριν τοποθετήσετε ή αφαιρέσετε την λεπίδα κόπτη.

Καθαρίζετε την συσκευή και τον εξοπλισμό προστασίας με ένα στεγνό πανί. Μερικά απορρυπαντικά προκαλούν φθορές στο πλαστικό και σε άλλα μονωμένα μέρη.

Διατηρείτε πάντοτε τις σχισμές εξαιρισμού της μηχανής καθαρές.

Απομακρύνετε τακτικά τη σκόνη. Απομακρύνετε τα πριονίδια που μαζεύονται στο εσωτερικό του πριονιού προς αποφυγή του κινδύνου ανάφλεξης.

Διατηρείτε την συσκευή καθαρή, στεγνή και φροντίστε να μην έχει λεκέδες από διαρροές λαδιού ή γράσου.

Ελέγξτε αν λειτουργεί σωστά η καλύπτρα προστασίας.

Τακτική συντήρηση και καθαρισμός είναι απαραίτητα για μεγάλη διάρκεια ζωής και ασφαλή λειτουργία.

Αν το καλώδιο παροχής ρεύματος της συσκευής έχει υποστεί ζημιά πρέπει να αντικατασταθεί από ένα ειδικά για αυτόν τον σκοπό προετοιμασμένο καλώδιο το οποίο μπορείτε να προμηθευτείτε από την εξυπηρέτηση πελατών.

Χρησιμοποιείτε μόνο εξαρτήματα και ανταλλακτικά της AEG. Αναθέστε την αλλαγή των εξαρτημάτων, των οποίων η αντικατάσταση δεν έχει περιγραφεί, σ' ένα κέντρο σέρβις της AEG (προσέξτε το εγχειρίδιο Εγγύηση/Διευθύνσεις εξυπηρέτησης πελατών).

Σε περίπτωση που το χρειαστείτε μπορείτε να παραγγείλετε λεπτομερές σχέδιο της συσκευής αναφέροντας τον τύπο και τον εξαψήφιο αριθμό που βρίσκεται στην πινακίδα τεχνικών χαρακτηριστικών από την εξυπηρέτηση πελατών ή απευθείας από την Techtronic Industries GmbH, διεύθυνση Max-Eyth-Straße 10, 71364 Winnenden, Germany.

ΣΥΜΒΟΛΑ



ΠΡΟΣΟΧΗ! ΠΡΟΕΙΔΟΠΟΙΗΣΗ! ΚΙΝΔΥΝΟΣ!



Παρακαλώ διαβάστε σχολαστικά τις οδηγίες χρήσης πριν από την έναρξη λειτουργίας.



Στις εργασίες με τη μηχανή φοράτε πάντοτε προστατευτικά γυαλιά.



Φοράτε προστασία ακοής (ωτασπίδες)!



Να φοράτε κατάλληλη μάσκα προστασίας από σκόνη.



Να φοράτε προστατευτικά γάντια!



Πριν από κάθε εργασία στη μηχανή τραβάτε το φως από την πρίζα.



Μην βάζετε δύναμη.



Εξαρτήματα - Δεν περιλαμβάνονται στα υλικά παράδοσης, συνιστούμενη προσθήκη από το πρόγραμμα εξαρτημάτων.



Μην πετάτε τα ηλεκτρικά εργαλεία στον κάδο οικιακών απορριμμάτων! Σύμφωνα με την ευρωπαϊκή οδηγία 2002/96/EK περί ηλεκτρικών και ηλεκτρονικών συσκευών και την ενσωμάτωσή της στο εθνικό δίκαιο, τα ηλεκτρικά εργαλεία πρέπει να συλλέγονται ξεχωριστά και να πιστρέφονται για ανακύκλωση με τρόπο φιλικό προς το περιβάλλον.



Ηλεκτρικό εργαλείο κατηγορίας ασφάλειας II Ηλεκτρικό εργαλείο στο οποίο η προστασία από ηλεκτροπληξία δεν εξαρτάται μόνο από την βασική μόνωση αλλά και από συμπληρωματικά μέτρα ασφάλειας όπως διπλή ή ενισχυμένη μόνωση. Δεν υπάρχει εξοπλισμός για να συνδεθεί με την γείωση.



Σήμα συμμόρφωσης CE



TEKNİK VERİLER daire testere	KS 66-2
Üretim numarası	4466 76 01 000001-999999
Giriş gücü	1600 W
Boştaki devir sayısı	5800 min ⁻¹
Testere bıçağı çapı x delik çapı	190 x 30 mm
Bıçkı levhası kalınlığı	2,2 mm
de maksimum kesit derinliği 0° / 45° / 56°	63 / 47 / 36 mm
Ağırlığı ise EPTA-üretici 01/2003'e göre.	4,8 kg
Gürültü/Vibrasyon bilgileri Ölçüm değerleri EN 60745 e göre belirlenmektedir. Aletin, frekansa bağımlı uluslararası ses basıncı seviyesi değerlendirme eğrisi A'ya göre tipik gürültü seviyesi:	
Ses basıncı seviyesi (K=3dB(A))	92,5 dB(A)
Akustik kapasite seviyesi (K=3dB(A))	103,5 dB(A)
Koruyucu kulaklık kullanın!	
Toplam titreşim değeri (üç yönün vektör toplamı) EN 60745'e göre belirlenmektedir: Ağaç yontma titreşim emisyon değeri a _{h,w} Tolerans K=	4,5 m/s ² 1,5 m/s ²



UYARI

Bu talimatlarda belirtilen titreşim seviyesi, EN 60745 standardına uygun bir ölçme metodu ile ölçülmüştür ve elektrikli el aletleri birbiriyle karşılaştırmak için kullanılabilir. Ölçüm sonuçları ayrıca titreşim yükünün geçici değerlendirmesi için de uygundur.

Belirtilen titreşim seviyesi, elektrikli el aletin genel uygulamaları için geçerlidir. Ancak elektrikli el aleti başka uygulamalar için, farklı eklenti parçalarıyla ya da yetersiz bakım koşullarında kullanılırsa, titreşim seviyesi farklılık gösterebilir. Bu durumda, titreşim yükü toplam çalışma zaman aralığı içerisinde belirgin ölçüde yükselebilir.

Titreşim yükünün tam bir değerlendirmesi için ayrıca cihazın kapalı olduğu süreler ve cihazın çalışır durumda olduğu, ancak gerçek kullanımda bulunmadığı süreler de dikkate alınmalıdır. Böylelikle, toplam çalışma zamanı aralığı boyunca meydana gelen titreşim yükü belirgin ölçüde azaltılabilir.

Kullanıcıyı titreşimlerin etkisinden korumak üzere, örneğin elektrikli el aletlerinin ve eklenti parçalarının bakımı, ellerin sıcak tutulması ve iş akışlarının organizasyonu gibi ek güvenlik tedbirleri belirleyiniz.

⚠ UYARI! Güvenlikle ilgili bütün açıklamaları.

Açıklanan uyarılara ve talimat hükümlerine uyulmadığı takdirde elektrik çarpmalarına, yangınlara ve/veya ağır yaralanmalara neden olunabilir.

Bütün uyarıları ve talimat hükümlerini ileride kullanmak üzere saklayın.

⚠ DAİRE TESTERE İÇİN GÜVENLİK TALİMATLARI

Testere kesim işlemi

⚠ TEHLİKE: Ellerinizi kesilen yere ve testere bıçağına yaklaştırmayın. İkinci elinizle ek tutamağı veya motor gövdesini tutun. Her iki elinizde daire testereyi tutarsa, testere bıçağı ellerinizi yaralayamaz.

İş parçasının altını kavramayın. Koruyucu kapak sizi iş parçası altında sizi testere bıçağından koruyamaz.

Kesme derinliğini iş parçasının kalınlığına göre ayarlayın. İş parçası altında tam diş uzunluğunun daha azı görünmelidir.

Kesilen iş parçasını hiçbir zaman elinizle tutmayın veya bacağına üzerine koymayın. İş parçasını sağlam bir zeminde emniyete alın. Bedenle teması önlemek, testere bıçağına sıkışması veya aletin kontrolünün kaybedilmesinin minimum düzeye indirilmesi açısından iş parçasının iyice tespit edilip sıkılması önemlidir.

Çalışırken alet ucunun görünmeyen elektrik akımı ileten kablolarla veya aletin kendi şebeke kablosuna temas etmesi olasılığı varsa elektrikli el aletini sadece izolasyonlu tutamağından tutun. Elektrik gerilimi ileten kablolarla temasa gelince elektrikli el aletin metal parçaları da elektrik gerilimine maruz kalır ve elektrik çarpmasına neden olunur.

Uzunlamasına kesme yaparken daima bir dayamak veya düz bir kenar kılavuzu kullanın. Bu, kesme hassasiyetini iyileştirir ve testere bıçağına sıkışma olasılığını azaltır.

Daima doğru büyüklükte ve biçimi bağlama flanşına uygun testere bıçakları kullanın (ağ şeklinde veya yuvarlak).Testerinin montaj parçalarına uymayan testere bıçaklar, balanssız çalışır ve aletin kontrol dışına çıkma olasılığını artırır.

Hiçbir zaman hasarlı testere bıçağı alt besleme diski veya vida kullanmayın. Testere bıçağı alt besleme diski ve vidalar, işletme güvenliğini optimum düzeye getirmek üzere özel olarak tasarlanmış ve üretilmiştir. Geri tepme kuvvetinin nedenleri ve buna karşı alınacak önlemler:- Bir geri tepme kuvveti, takılan, sıkışan veya yanlış doğrultulan bir testere bıçağına beklenmedik reaksiyonudur. Bu durum, aletin kontrolden ve iş parçasından çıkarak kullanıcıya doğru hareket etmesine neden olabilir;- Testere bıçağı kesilen hat içinde takılır veya sıkışır, bloke olur. Böyle bir durumda motor kuvveti aleti kullanıcıya doğru geri iter;

- Testere bıçağı kesme hattında açılma yapar veya yanlış doğrultulursa, testere bıçağının arka tarafındaki dişler iş parçasının üst yüzeyine takılabilir ve bunun sonucunda da testere bıçağı kesme hattından dışarı çıkarak, geriyi doğru kullanıcıya doğru sıçrama yapar. **Bir geri tepme kuvvet, testerenin yanlış veya hatalı kullanımı sonucu ortaya çıkar. Geri tepme kuvvetleri aşağıda açıklanan uygun önlemlerle önenebilir. Testereyi iki elinizle birlikte sıkıca tutun ve ellerinizi geri tepme kuvvetini karşılayabilecek konumda tutun. Daima testere bıçağının yan tarafında durun, hiçbir zaman testere bıçağı ile aynı hatta bulunmayın.** Geri tepme halinde daire testere geri doğru sıçrar, ancak kullanıcı personel uygun önlemleri almışsa bu geri tepme kuvvetlerini tehlikesiz biçimde karşılayabilir.

Testere bıçağı sıkışır veya kesme işlemi başka herhangi bir nedenle kesilirse, açma/kapama şalterini bırakın ve testere bıçağı tam duruncaya kadar testereyi malzeme içinde sakınca tutun. Testere bıçağı hareket ettiği sürece ve geri tepme kuvveti kendini hissettirdiği sürece hiçbir zaman testereyi iş parçasından dışarı çıkarmayı denemeyin veya geri çekmeyin. Testere bıçağının sıkışma nedenini bulun ve bunu uygun önlemlerle gidirin. İş parçası içinde bulunan bir testereyi tekrar çalıştırmak isterseniz, testere bıçağını kesme hattında içinde merkezleyin ve testere dişlerinin iş parçasına takılı olup olmadığını kontrol edin. Testere bıçağı sıkışır (bloke olur) ve tekrar çalıştırılacak olursa iş parçasından dışarı çıkabilir veya bir geri tepme kuvvetine neden olabilir.

Testere bıçağının sıkışıp geri tepme tehlikesi yaratmaması için büyük boyutlu levhaları keserken güvenli bir biçimde destekleyin. Büyük boyutlu levhalar kendi ağırlıkları nedeniyle bükülebilir. Bu levhalar her iki yandan, hem kesme hattının yakınından hem de kenardan desteklenmelidir.

Körelmiş veya hasarlı testere bıçakları kullanmayın.

Körelmiş veya yanlış doğrultulmuş testere bıçakları dar kesme hattında büyük bir sürtünme kuvvetinin oluşmasına, testere bıçağının sıkışmasına ve geri tepme kuvvetlerinin oluşmasına neden olurlar.

Kesme işlemine başlamadan önce kesme derinliği ve kesme hızı ayarlarını tam ve hassas biçimde ayarlayarak tespit edin. Kesme sırasında ayarlar değişecek olursa, testere bıçağı sıkışabilir ve geri tepme kuvveti oluşabilir. İçini görmediğiniz bir yerde, örneğin bir duvarda „içten kesme“ işlerinde özellikle dikkatli olun. Malzeme içine dalan testere bıçağı görünmeyen nesnelere nedeniyle bloke olabilir ve geri tepme kuvvetlerine neden olabilir.

Alt koruyucu kapağın fonksiyonu

Her kullanımdan önce alt koruyucu kapağın kusursuz biçimde kapanıp kapanmadığını kontrol edin. Alt koruyucu kapak serbestçe hareket etmiyorsa ve hemen kapanmıyorsa testereyi kullanmayın. Alt koruyucu kapağı açık konumda iken hiçbir zaman sıkımayın veya yapıştırmayın. Testere yanlışlıkla yere düşecek olursa, alt koruyucu kapak bükülebilir. Koruyucu kapağı geri çekme kolu ile açın ve serbest hareket edip etmediğini ve bütün kesme açısı ve kesme derinliklerinde ne testere bıçağına ne de diğer parçalara temas edip etmediğini kontrol edin. Alt koruyucu kapağın yayını kontrol edin. Eğer alt koruyucu kapak ve yay kusursuz olarak çalışmıyorsa aletinizi bakıma gönderin. Hasarlı parçalar, yapışkan birikintiler veya talaş birikimleri alt koruyucu kapağın gecikmeli olarak işlev görmesine neden olur.

Alt koruyucu kapağı elinizle sadece „Malzeme içine dalmalı veya açılı“ kesme gibi özel durumlarda açın. Alt koruyucu kapağı geri çekme kolu ile açın ve testere bıçağı malzeme içine girince serbest bırakın. Bütün diğer kesme işlerinde alt koruyucu kapak otomatik olarak çalışmalıdır.

Alt koruyucu kapak testere bıçağını kapatmadığı sürece testereyi tezgaha veya yere bırakmayın. Korunmayan ve serbest dönüşteki testere bıçağı testereyi kesme yönünün tersine hareket ettirir ve önüne gelen malzemeyi keser. Bu sırada testerenin serbest dönüş süresine dikkat edin.

EK GÜVENLİK VE ÇALIŞMA TALIMATLARI

Koruyucu kulaklık kullanın. Gürültü etkisi işitme kaybını etkiler.

Aletle çalışırken daima koruyucu gözlük kullanın. Koruyucu iş eldivenleri, sağlam ve kaymaz ayakkabılar ve iş önlüğü kullanmanızı tavsiye ederiz.

Tahtalar uzun süre işlenirken veya sağlığa zararlı toz çıkaran malzemeler profesyonel olarak işlenirken alet uygun bir toz emme donanımına bağlanmak zorundadır. Profesyonel kullanıcılar diğer malzemelere ilişkin hükümleri yetkili meslek kuruluşu ile açıklığa kavuşturmak zorundadır.

Tanıtım verileri bu kullanım kılavuzunda belirtilmemiş terete bıçaklarını kullanmayın.

Lütfen cihazların içinde taşlama levhaları (diskleri) monte ederek kullanmayın!

Aleti elle kullanırken açma/kapama şalterini kilitlemeyin.

ÇALIŞMA AÇIKLAMALARI

Besleme hızını ayarlayarak testere diski dişlerinin aşırı ısınmasını önleyiniz.

ŞEBEKE BAĞLANTISI

Aleti sadece tek fazlı alternatif akıma ve tip etiketi üzerinde belirtilen şebeke gerilimine bağlayın. yapısı Koruma sınıfı II'ye girdiğinden alet koruyucu kontaklı prize de bağlanabilir.

Açık havadaki prizler hatalı akım koruma şalteri (FI, RCD, PRCD) ile donatılmış olmalıdır. Bu, elektrik tesisatınızdaki bir zorunluluktur. Lütfen aletimizi kullanırken bu hususa dikkat edin.

Aleti sadece kapalı iken prize takın.

Kısa devre tehlikesi ortaya çıkacağından metal parçaların havalandırma aralıklarına girmemesi gerekir.

Bağlantı kablosunu aletten uzak tutun. Kablo daima aletin arkasında olmalıdır ve toplanmamalıdır.

Her kullanımdan önce alet, bağlantı kablosu, uzatma kablosu ve fişin hasarlı olup olmadığını ve eskikip eskimediğini kontrol edin. Hasarlı parçaları sadece uzmanına onartın.

Ani bir voltaj yükselmesi, voltaj dalgalanmalarına neden olur ve bu durum aynı güç hattındaki diğer elektronik ürünlere zarar verebilir. Voltaj dalgalanmalarını en aza indirmek için ürünü 0.368 Ω değerinde empedansa sahip bir güç kaynağına bağlayın.

Daha fazla bilgi almak için elektrik gücü tedarikçiniz ile iletişime geçin.

KULLANIM

Bu daire testere, tahta düz hatlı kesme işlerinde kullanılabilir.



Tür

CE UYGUNLUK BEYANI

Tek sorumlu olarak „Teknik Veriler“ bölümünde tarif edilen ürünün 2011/65/EU (RoHS), 2004/108/EC, 2006/42/EC sayılı direktifin ve aşağıdaki harmonize temel belgelerin bütün önemli hükümlerine uygun olduğunu beyan etmekteyiz:

EN 60745-1:2009 + A11:2010

EN 60745-2-5:2010

EN 55014-1:2006 + A1:2009 + A2:2011

EN 55014-2:1997 + A1:2001 + A2:2008

EN 61000-3-2:2006 + A1:2009 + A2:2009

EN 61000-3-11:2000



Winnenden, 2014-03-03

Alexander Krug / Managing Director
Teknik evrakları hazırlamakla görevlendirilmiştir.

Techtronic Industries GmbH
Max-Eyth-Straße 10, 71364 Winnenden, Germany

BAKIM

Aletin kendinde bir çalışma yapmadan önce fişi prizden çekin.

Testere bıçağını takmadan veya çıkarmadan önce aletin fişini güç kaynağından çektiğinizden emin olun.

Cihazı ve koruyucu tertibatı kuru bir bezle temizleyiniz. Bazı temizlik maddeleri plastik veya başka izole parçalara zarar verebilir.

Aletin havalandırma aralıklarını daima temiz tutun.

Tozu düzenli olarak alınız. Yangın riskini önlemek için testerenin içinde biriken talaşları temizleyiniz.

Cihazı temiz ve kuru tutunuz ve dışına taşan sıvı yağları ve gresleri temizleyiniz

Koruyucu kapakların fonksiyonunu kontrol ediniz.

Düzenli aralıklarda yapılan bakım ve temizlik, uzun bir dayanma ömrü ve güvenli bir kullanım sağlar.

Elektrikli aletin elektrik kablosu hasarlıysa, müşteri hizmeti organizasyonu üzerinden temin edilebilen önceden özel olarak hazırlanmış bir elektrik kablosu ile değiştirilmesi gerekmektedir.

Sadece AEG aksesuarını ve yedek parçalarını kullanın. Değiştirilmesi açıklanmamış olan parçaları bir AEG müşteri servisinde değiştirin (Garanti broşürüne ve müşteri servisi adreslerine dikkat edin).

Gerektiğinde cihazın ayrıntılı çizimini, güç levhası üzerindeki makine modelini ve altı haneli rakamı belirterek müşteri servisinden veya doğrudan Techtronic Industries GmbH, Max-Eyth-Straße 10, 71364 Winnenden, Germany adresinden isteyebilirsiniz.

SEMBOLLER



DİKKAT! UYARI! TEHLİKE!



Lütfen aleti çalıştırmadan önce kullanma kılavuzunu dikkatli biçimde okuyun.



Aletle çalışırken daima koruyucu gözlük kullanın.



Koruyucu kulaklık kullanın!



Uygun bir koruyucu toz maskesi kullanın



Koruyucu eldivenlerinizi takınız!



Aletin kendinde bir çalışma yapmadan önce fişi prizden çekin.



Güç kullanmayın.



Aksesuar - Teslimat kapsamında değildir, önerilen tamamlamalar aksesuar programında.



Elektrikli el aletlerini evdeki çöp kutusuna atmayınız! Kullanılmış elektrikli aletleri, elektrik ve elektronikli eski cihazlar hakkındaki 2002/96/EC Avrupa yönergelerine göre ve bu yönergeler ulusal hukuk kurallarına göre uyarlanarak, ayrı olarak toplanmalı ve çevre şartlarına uygun bir şekilde tekrar değerlendirmeye gönderilmelidir.



Koruma sınıfı II olan elektrikli aletler Elektrik çarpmasına karşı korumanın sadece temel izolasyona bağlı olmayıp, aynı zamanda çift izolasyon veya takviyeli izolasyon gibi ek koruyucu önlemlerin alınmasına bağlı olan elektrikli alet. Bir koruyucu iletken bağlamak için düzeneği bulunmamaktadır.



CE işareti

TECHNICKÁ DATA Okružní pila	KS 66-2
Výrobní číslo	4466 76 01 000001-999999
Jmenovitý příkon	1600 W
Počet otáček při běhu naprázdno	5800 min ⁻¹
Pilový kotouč ø x díra ø	190 x 30 mm
tloušťka pilového listu	2,2 mm
Max. hloubka řezu při 0° / 45° / 56°	63 / 47 / 36 mm
Hmotnost podle prováděcího předpisu EPTA 01/2003	4,8 kg
Informace o hluku / vibracích Naměřené hodnoty odpovídají EN 60745. V třídě A posuzovaná hladina hluku přístroje činí typicky: Hladina akustického tlaku (K=3dB(A)) Hladina akustického výkonu (K=3dB(A))	92,5 dB(A) 103,5 dB(A)
Používejte chrániče sluchu !	
Celkové hodnoty vibrací (vektorový součet tří směrů) zjištěné ve smyslu EN 60745. Řezání dřeva Hodnota vibračních emisí a _{n,W} Kolísavost K=	4,5 m/s ² 1,5 m/s ²



VAROVÁN

Úroveň chvění uvedená v tomto návodu byla naměřena podle metody měření stanovené normou EN 60745 a může být použita pro porovnání elektrického nářadí. Hodí se také pro průběžný odhad zatížení chvěním.

Uvedená úroveň chvění představuje hlavní účely použití elektrického nářadí. Jestliže se ale elektrické nářadí používá pro jiné účely, s odlišnými nástroji nebo s nedostatečnou údržbou, může se úroveň chvění odlišovat. To může značně zvýšit zatížení chvěním během celé pracovní doby.

Pro přesný odhad zatížení chvěním se musí také zohlednit časy, během kterých je přístroj vypnutý nebo kdy je sice v chodu, ale skutečně se s ním nepracuje. To může zatížení chvěním během celé pracovní doby značně snížit.

Stanovte doplňková bezpečnostní opatření pro ochranu obsluhy před účinky chvění jako například: technická údržba elektrického nářadí a nástrojů, udržování teploty rukou, organizace pracovních procesů.


VAROVÁNÍ! Seznamte se se všemi bezpečnostními pokyny a sice i s pokyny.

Zanedbání při dodržování varovných upozornění a pokynů mohou mít za následek úder elektrickým proudem, požár a/nebo těžká poranění.

Všechna varovná upozornění a pokyny do budoucna uschovejte.

BEZPEČNOSTNÍ POKYNY PRO OKRUŽNÍ PILA

Postup řezání pilou

 **NEBEZPEČÍ: Mějte své ruce mimo oblast řezání a mimo pilový kotouč. Se svou druhou rukou držte přídavné držadlo nebo motorovou skříň.** Pokud obě ruce drží kotoučovou pilu, nemůže je pilový kotouč poranit.

Nesahejte pod obrobek. Ochranný kryt Vás pod obrobkem nemůže chránit před pilovým kotoučem.

Přizpůsobte hloubku řezu tloušťce obrobku. Pod obrobkem by měla být viditelná méně než celá výška zubu.

Řezaný obrobek nikdy nedržte v ruce nebo přes nohu. Obrobek zajistěte na stabilní podložce. Je důležité obrobek dobře upevnit, aby byl minimalizován kontakt s tělem, přičinění pilového kotouče nebo ztráta kontroly.

Pokud provádíte práce, při kterých může nasazovací nástroj zasáhnout skrytá elektrická vedení nebo vlastní síťový kabel, pak uchopte elektrické nářadí pouze na izolovaných

plochách držadla. Kontakt s vedením pod napětím přivádí napětí i na kovové díly elektrického nářadí a vede k úderu elektrickým proudem.

Při podélných řezech používejte vždy vodítko nebo přímé vedení podél hrany. To zlepšuje přesnost řezu a snižuje možnost, že se pilový kotouč vzpříčí.

Používejte vždy pilové kotouče ve správné velikosti a s vhodným upínacím otvorem (např. v hvězdicovém tvaru nebo kruhový). Pilové kotouče, jež se nehodí k montážním dílům pily, běží nekuhově a vedou ke ztrátě kontroly.

Nikdy nepoužívejte poškozené nebo špatné podložky nebo šrouby kotouče. Podložky a šrouby pilových kotoučů byly zkonstruovány speciálně pro Vaši pilu, pro optimální výkon a provozní bezpečnost. Příčiny a vyvarování se zpětného rázu: - zpětný ráz je náhlá reakce v důsledku zaseknutí, vzpříčení nebo špatného vyrovnání pilového kotouče, která vede k tomu, že se pila nekontrolovatelně nadzdvihne z obrobku a pohybuje se ve směru obsluhující osoby; - když se pilový kotouč zasekne nebo vzpříčí do svírající se řezané mezery, zablokuje se a síla motoru udeří strojem zpět ve směru obsluhující osoby;

- pokud se pilový kotouč v řezu stočí nebo je špatně vyrovnán, mohou se zuby zadní hrany pilového kotouče zaseknout do povrchu obrobku, čímž se pilový kotouč nadzvedne z řezané mezery a pila vyskočí zpět ve směru obsluhující osoby. **Zpětný ráz je důsledek špatného nebo chybného použití pily. Lze mu vhodnými preventivními opatřeními, jak je následovně popsáno, zabránit. Pílu držte pevně oběma rukama a paže dejte do**

takové polohy, ve které můžete čelit síle zpětného rázu. Držte se vždy stranou pilového kotouče, nedávejte pilový kotouč do jedné přímky s Vaším tělem. Při zpětném rázu může kotoučová pila skočit vzad, ale obsluhující osoba může síly zpětného rázu překonat, pokud byla učiněna vhodná opatření.

Jestliže se pilový kotouč vzpříčí nebo je-li řezání přerušeno z jiného důvodu, uvolněte spínač a pilu držte klidně v materiálu, až se pilový kotouč zcela zastaví. Nikdy se nepokoušejte odstranit pilu z obrobku nebo ji stáhnout zpět, dokud se pilový kotouč pohybuje nebo by mohl nastat zpětný ráz. Najděte příčinu vzpříčení pilového kotouče a odstraňte ji vhodnými opatřeními. Pokud chcete pilu, která je vsazena do obrobku, znovu zapnout, vystředte pilový kotouč v řezané mezeře a zkontrolujte, zda nejsou pilové zuby zaseknuty v obrobku. Je-li pilový kotouč vzpříčený, může se, pokud se pila znovu zapne, pohnout ven z obrobku nebo způsobit zpětný ráz.

Velké desky podepřete, aby jste zabránili riziku zpětného rázu sevřením pilového kotouče. Velké desky se mohou vlastní vahou prohnout. Desky musí být podepřeny jak na obou stranách, tak i v blízkosti řezané mezery na kraji.

Nepoužívejte žádné tupé nebo poškozené pilové kotouče. Pilové kotouče s tupými nebo špatně vyrovnanými zuby způsobí díky úzké pilové mezeře zvýšené tření, svírání pilového kotouče a zpětný ráz.

Před řezáním utáhněte nastavení hloubky a úhlu řezu. Pokud se během řezání změní nastavení, může se pilový kotouč vzpříčit a nastat zpětný ráz. Bud'te obzvlášť opatrní, pokud provádíte "zanořovací řez" do skrytých prostorů, např. stávající stěna. Zanořující se pilový kotouč se může při řezání zablokovat ve skrytých objektech a způsobit zpětný ráz.

Funkce spodního ochranného krytu

Před každým použitím zkontrolujte, zda se spodní ochranný kryt bezvadně uzavírá. Pílu nepoužívejte, pokud se spodní ochranný kryt nepohybuje volně a neuzavře-li se okamžitě. Spodní ochranný kryt nikdy neupevňujte nebo nepřivazujte napevno v otevřené poloze. Pokud pila neúmyslně upadne na podlahu, může se spodní ochranný kryt zprohýbat. Otevřete ochranný kryt pomocí páčky pro zpětné vytažení a zajistěte, aby se volně pohyboval a nedotýkal se pilového kotouče ani jiných dílů při všech řezných úhlech a hloubkách. Zkontrolujte funkci pružiny pro spodní ochranný kryt. Nechte stroj před použitím zkontrolovat, pokud spodní ochranný kryt a pružina nepracují bezvadně. Poškozené díly, lepkavé usazeniny nebo nahromadění třísek brzdí spodní ochranný kryt při práci.

Rukou otevřete spodní ochranný kryt pouze u výjimečných řezů, jako jsou "zanořovací řezy a řezy pod úhlem". Otevřete spodní ochranný kryt pomocí páčky pro zpětné vytažení a uvolněte jej, jakmile pilový kotouč vnikl do obrobku. U všech ostatních řezacích prací musí spodní ochranný kryt pracovat automaticky.

Pílu neodkládejte na pracovní stůl nebo podlahu bez toho, aby spodní ochranný kryt zakrýval pilový kotouč. Nechráněný, dobíhající pilový kotouč pohybuje pilou proti směru řezání a řeže vše co mu stojí v cestě. Respektujte při tom dobu doběhu pily.

DALŠÍ BEZPEČNOSTNÍ A PRACOVNÍ POKYNY

Používejte chrániče sluchu. Nadměrný hluk může vést ke ztrátě sluchu.

Při práci se strojem neustále nosit ochranné brýle. Doporučuje se používat ochranné rukavice, pevnou protiskluzovou obuv a zástěru.

Prach vznikající při práci bývá zdraví škodlivý, a proto by se neměly vdechovat. Používejte odsávání prachu a navíc se chraňte vhodnou ochrannou maskou. Usazený prach dobře odstraňte, např. odsátím. Pilové kotouče, které neodpovídají požadavkům podle tohoto návodu se nesmí používat.

Nepoužívejte prosím s brusnými kotouči!

Při ručním vedení pily nearetujte vypínač.

PRACOVNÍ POKYNY

Pomocí přiměřené rychlosti posuvu zabraňte přehřátí zubů pilového listu.

PŘIPOJENÍ NA SÍŤ

Připojit pouze do jednofázové střídané sítě o napětí uvedeném na štítku. Lze připojit i do zásuvky bez ochranného kontaktu neboť spotřebič je třídy II.

Ve venkovním prostředí musí být zásuvky vybaveny proudovým chráničem (FI, RCD, PRCD). Je to vyžadováno instalačním předpisem pro toto el. zařízení. Dodržujte ho při používání tohoto nářadí, prosím.

Stroj zapínat do zásuvky pouze když je vypnutý.

Vzhledem k nebezpečí zkratu se nesmí dostat do odvětrávací mezery kovy.

Neustále dbát na to, aby byl kabel pro připojení k elektrické síti mimo dosah stroje. Kabel vést vždy směrem dozadu od stroje.

Před každým použitím překontrolujte stroj, kabel, prodlužovací kabel i zástrčky, zda nenesou stopy poškození nebo stárnutí. Poškozené součástky dejte opravit pouze odborníkovi.

Mohou ovlivnit ostatní elektrické přístroje na stejném napájecím okruhu. Připojte výrobek ke zdroji napájení s impedancí rovné 0.368 Ω pro minimalizaci napěťové fluktuace.

Více informací vám poskytne váš dodavatel elektrické energie.

OBLAST VYUŽITÍ

Okružní pila je vhodná k přímému řezání do dřeva.

CE-PROHLÁŠENÍ O SHODĚ

Výhradně na vlastní zodpovědnost prohlašujeme, že se výrobek popsaný v „Technických údajích“ shoduje se všemi relevantními předpisy směrnice 2011/65/EU (RoHS), 2004/108/ES, 2006/42/ES a s následujícími harmonizovanými normativními dokumenty:

EN 60745-1:2009 + A11:2010

EN 60745-2-5:2010

EN 55014-1:2006 + A1:2009 + A2:2011

EN 55014-2:1997 + A1:2001 + A2:2008

EN 61000-3-2:2006 + A1:2009 + A2:2009

EN 61000-3-11:2000



Winnenden, 2014-03-03

Alexander Krug / Managing Director
Zplnomocněn k sestavování technických podkladů.

Techtronic Industries GmbH
Max-Eyth-Straße 10, 71364 Winnenden, Germany

ÚDRŽBA

Před zahájením veškerých prací na stroji vytáhnout síťovou zástrčku ze zásuvky.

Ujistěte se, že jste pilu odpojily od zdroje napájení před montáží a demontáží pilového kotouče.

Přístroj a ochranný kryt čistěte suchým hadříkem. Některé čisticí prostředky poškozují plast nebo jiné izolované části.

Větrací štěrby nářadí udržujeme stále čisté.

Pravidelně odstraňujte prach. Odstraňujte piliny nashromážděné uvnitř pily, abyste tak zamezili riziku vzniku požáru.

Přístroj udržujte čistý, suchý a očištěný od vyteklého oleje a maziva.

Zkontrolujte funkčnost ochranných krytů.

Pravidelná údržba a čištění zajistí dlouhou životnost a bezpečnou manipulaci.

Pokud je připojovací kabel elektrického přístroje poškozený, musí být nahrazen speciálně upraveným připojovacím kabelem, který je možné získat prostřednictvím firmy poskytující servis pro zákazníky.

Používejte výhradně náhradní díly a příslušenství AEG. Díly, jejichž výměna nebyla popsána, nechávejte vyměnit v odborném servisu AEG. (Viz záruční list.)

V případě potřeby si můžete v servisním centru pro zákazníky nebo přímo od firmy Techtronic Industries GmbH, Max-Eyth-Straße 10, 71364 Winnenden, Německo vyžádat schematický náčrt jednotlivých dílů přístroje, když uvedete typ přístroje a šestimístné číslo na výkonovém štítku.

SYMBOLY



POZOR! VAROVÁN! NEBEZPEČÍ!



Před spuštěním stroje si pečlivě přečtěte návod k používání.



Při práci se strojem neustále nosit ochranné brýle.



Používejte chrániče sluchu!



Používejte při práci vhodnou ochranou masku.



Používejte ochranné rukavice!



Před zahájením veškerých prací na stroji vytáhnout síťovou zástrčku ze zásuvky.



Nepoužívejte sílu.



Příslušenství není součástí dodávky, viz program příslušenství.



Elektrické nářadí nevyhazujte do komunálního odpadu! Podle evropské směrnice 2002/96/EC o nakládání s použitými elektrickými a elektronickými zařízeními a odpovídajících ustanovení právních předpisů jednotlivých zemí se použitá elektrická nářadí musí sbírat odděleně od ostatního odpadu a podrobit ekologicky šetrnému recyklování.



Elektrický přístroj s třídou ochrany II Elektrický přístroj, u kterého ochrana před zásahem el. proudem závisí nejen na základní izolaci, ale i na tom, že budou použita také doplňková ochranná opatření, jakými jsou dvojité izolace nebo zesílená izolace. Neexistuje žádné zařízení pro připojení ochranného vodiče.



Značka CE



TECHNICKÉ ÚDAJE Ručná okružná	KS 66-2
Výrobné číslo	4466 76 01 000001-999999
Menovitý príkon	1600 W
Otáčky naprázdno	5800 min ⁻¹
Priemer pílového listu x priemer diery	190 x 30 mm
hrúbka pílového listu	2,2 mm
Max. hĺbka rezu pri 0° / 45° / 56°	63 / 47 / 36 mm
Hmotnosť podľa vykonávacieho predpisu EPTA 01/2003	4,8 kg
Informácia o hluku / vibráciách Namerané hodnoty určené v súlade s EN 60745. V triede A posudzovaná hladina hluku prístroja činí typicky:	
Hladina akustického tlaku (K=3dB(A))	92,5 dB(A)
Hladina akustického výkonu (K=3dB(A))	103,5 dB(A)
Používajte ochranu sluchu!	
Celkové hodnoty vibrácií (vektorový súčet troch smerov) zistené v zmysle EN 60745.	
Rezanie dreva Hodnota vibračných emisií a _{h,w}	4,5 m/s ²
Kolísavosť K=	1,5 m/s ²



Slov

POZOR

Úroveň vibrácií uvedená v týchto pokynoch bola nameraná meracou metódou, ktorú stanovuje norma EN 60745 a je možné ju použiť na vzájomné porovnanie elektrického náradia. Hodí sa aj na predbežné posúdenie kmitavého namáhania.

Uvedená úroveň vibrácií reprezentuje hlavné aplikácie elektrického náradia. Ak sa však elektrické náradie používa pre iné aplikácie, s odlišnými vloženými nástrojmi alebo s nedostatočnou údržbou, môže sa úroveň vibrácií líšiť. Toto môže kmitavé namáhanie v priebehu celej pracovnej doby podstatne zvýšiť.

Pre presný odhad kmitavého namáhania by sa mali tiež zohľadniť doby, v ktorých je náradie vypnuté alebo je síce v chode, ale v skutočnosti sa nepoužíva. Toto môže kmitavé namáhanie v priebehu celej pracovnej doby zreteľne redukovať.

Stanovte dodatočné bezpečnostné opatrenia pre ochranu obsluhy pred účinkami vibrácií, ako napríklad: údržba elektrického náradia a vložených nástrojov, udržiavanie teploty rúk, organizácia pracovných postupov.


POZOR! Zoznámte sa so všetkými bezpečnostnými pokynmi.

Zanedbanie dodržiavania Výstražných upozornení a pokynov uvedených v nasledujúcom texte môže mať za následok zásah elektrickým prúdom, spôsobiť požiar a/alebo ťažké poranenie.

Tieto Výstražné upozornenia a bezpečnostné pokyny starostlivo uschovajte na budúce použitie.

BEZPEČNOSTNÉ POKYNY PRE RUČNÁ OKRUŽNÁ

Proces pílenia

 **NEBEZPEČENSTVO: Nedávajte ruky do pracovného priestoru píly ani k pílovému listu. Druhou rukou držte prídavnú rukoväť alebo teleso motora.** Ak kotúčovú pílu držia obe ruky, pílový list ich nemôže poraniť.

Nesiahajte pod obrobok. Ochranný kryt vás pod obrobkom nemôže ochraňovať pred pílovým listom.

Hrúbku rezu prispôbte hrúbke obrobka. Pod obrobkom by malo byť vidieť menej pílového listu ako plnú výšku zuba píly.

Nikdy nedržte pri rezaní obrobok v ruke ani ho nepridržiavajte nad nohou. Zabezpečte obrobok na stabilnom podklade. Je dôležité, aby bol obrobok dobre upevnený, aby sa na minimum zmenšilo nebezpečenstvo kontaktu s telom,

zablokovania pílového listu alebo straty kontroly.

Elektrické náradie držte za izolované plochy rukoväti pri vykonávaní takej práce, pri ktorej by mohol rezací nástroj natrafiť na skryté elektrické vedenia alebo zasiahnúť vlastnú prívodnú šnúru náradia. Kontakt s vedením, ktoré je pod napätím, spôsobí, že aj kovové súčiastky náradia sa dostanú pod napätie, čo má za následok zásah obsluhujúcej osoby elektrickým prúdom.

Pri pozdĺžnom rezaní vždy používajte doraz, alebo vedťe náradie pozdĺž rovnej hrany. To zlepšuje presnosť rezu a znižuje možnosť zablokovania pílového listu.

Používajte vždy pílové listy správnej veľkosti a s vhodným upínacím otvorom (napríklad hviezdicovým alebo okrúhlym). Pílové listy, ktoré sa nehodia k montážnym súčiastkam píly, nebežia celkom rotačne a spôsobia stratu kontroly obsluhy na náradí.

Nikdy nepoužívajte poškodené podložky alebo nesprávne upevňovacie skrutky pílových listov. Podložky a upevňovacie skrutky pílových listov boli skonštruované špeciálne pre túto pílu, aby dosahovala optimálny výkon a mala optimálnu bezpečnosť prevádzky. Dôvody spätných rázov a predchádzanie spätným rázom: - spätný ráz je náhlou reakciou zablokovaného, vzpričeného alebo nesprávne nastaveného pílového listu, ktorý má za následok nekontrolované zdvihnutie píly a jej

pohyb od obrobku smerom k obsluhujúcej osobe;- keď sa pílový list zasekne alebo vzpriechi v uzavierajúcej sa štrbine rezu, zablokuje sa a sila motora vyhodí náradie smerom na obsluhujúcu osobu;

- keď je pílový list v reze natočený alebo nesprávne nastavený, môžu sa zuby zadnej hrany pílového listu zahryznúť do povrchovej plochy obrobku, čím sa pílový list vysunie z rezacej štrbiny a píla poskočí smerom k obsluhujúcej osobe. **Spätný ráz je následkom nesprávneho a chybného používania píly. Vhodnými preventívnymi opatrenia, ktoré popisujeme v nasledujúcom texte, mu možno zabrániť. Držte pílu dobre oboma rukami a majte paže v takej polohe, v ktorej budete vedieť prípadnú silu spätného rázu zvládnuť. Vždy stojte v bočnej polohe k rovine pílového listu, nikdy nedávajte pílový list do jednej línie so svojím telom.** Pri spätnom ráze môže píla skočiť smerom dozadu, avšak keď sa urobia potrebné opatrenia, môže obsluhujúca osoba silu spätného rázu zvládnuť.

Ak sa pílový list zablokuje alebo ak sa pílenie preruší z iného dôvodu, uvoľnite vypínač a držte pílu v materiáli obrobku dovtedy, kým sa pílový list celkom zastaví. Nikdy sa nepokúšajte vyberať pílu z obrobku alebo ju ťahať smerom dozadu, kým sa pílový list pohybuje alebo kým môže vzniknúť spätný ráz. Nájdite príčinu zablokovania pílového listu a pomocou vhodných opatrení ju odstráňte. Keď chcete znova spustiť pílu, ktorá je v obrobku, vycentrujte pílový list v štrbine rezu a skontrolujte, či nie sú zuby píly zaseknuté v materiáli obrobku. Keď je pílový list zablokovaný, nedá sa v obrobku pohnúť, alebo môže spôsobiť spätný ráz, ak by sa píla znova spustila.

Veľké platne pri pílení podoprite, aby ste znížili riziko spätného rázu zablokovaním pílového listu. Veľké platne sa môžu následkom vlastnej hmotnosti prehnúť. Platne treba podpierať na oboch stranách, aj v blízkosti štrbiny rezu aj na kraji.

Nepožívajte tupé ani poškodené pílové listy. Pílové listy s otupenými zubami alebo s nesprávne nastavenými zubami vytvárajú príliš úzku štrbinu rezu a tým spôsobujú zvýšené trenie, blokovanie pílového listu alebo vyvolanie spätného

Pred pílením dobre utiahnite nastavenia hĺbky rezu a uhla rezu. Keď sa počas pílenia nastavenie zmení, môže sa pílový list zablokovať a spôsobiť spätný ráz náradia. Osobitne opatrný buďte pri používaní rezania "zapichovaním" (zanorovaním) do skrytého priestoru, napríklad do existujúcej steny. Zapichovaný pílový list môžu pri pílení zablokovať rôzne skryté objekty, čo môže spôsobiť spätný ráz.

Funkcia spodného ochranného krytu

Pred každým použitím náradia skontrolujte, či bezchybne pracuje spodný ochranný kryt. Nepoužívajte kotúčovú pílu, keď sa dolný ochranný kryt nedá voľne pohybovať a keď okamžite automaticky neuzatvára. Nikdy nezablokujte a nepriväzujte dolný ochranný kryt v otvorenej polohe. Ak vám píla neúmyselne spadla na zem, mohol by sa dolný ochranný kryt skriviť. Pomocou vratnej páčky otvorte ochranný kryt a zabezpečte, aby sa voľne pohyboval a pri žiadnom z nastavitelných uhlov rezu a žiadnej z nastavitelných hĺbok rezu sa nedotýkal ani pílového listu ani ostatných súčiastok náradia. Skontrolujte činnosť pružiny dolného ochranného krytu. Dajte vykonať na náradí pred jeho použitím opravu, ak dolný ochranný kryt a pružina nepracujú bezchybne. Poškodené súčiastky, lepkavé usadeniny alebo nakopenia triesok spôsobujú, že dolný ochranný kryt pracuje spomalene.

Otvorte dolný ochranný kryt rukou len pri špeciálnych rezoch, ako sú "rezanie zapichnutím" a "rezanie šikmých rezov". Dolný ochranný kryt otvárajte pomocou vratnej páčky a len čo pílový list vnikol do obrábaného materiálu, páčku pustite. Pri všetkých ostatných prácach musí pracovať dolný ochranný kryt automaticky.

Nikdy nekladte pílu na pracovný stôl ani na podlahu bez toho, aby bol pílový list krytý dolným ochranným krytom. Nechránený dobiehajúci pílový list spôsobí pohyb píly proti smeru rezu a reže všetko, čo mu stojí v ceste. Všímajte si dobu dobehu pílového listu.

ĎALŠIE BEZPEČNOSTNÉ A PRACOVNÉ POKYNY

Používajte ochranu sluchu. Nadmerný hluk môže viesť k strate sluchu.

Pri práci so strojom vždy noste ochranné okuliare. Odporúčame ochranné rukavice, pevnú protišmykovú obuv a zásteru.

Prach, ktorý vzniká pri práci je často zdraviu škodlivý a nemal by sa dostať do tela. používajte odsávac prachu a noste vhodnú masku proti prachu. Uskladnený prach dôkladne odstrániť, napr. vysať.

Pílové listy, ktoré nezodpovedajú charakteristikám uvedeným v návode na použitie, nesmú sa použiť.

Nepoužívajte prosím s brusnými kotúčmi!

Pri ručnom vedení vypínač nearetovať.

NAPOTKI ZA DELO

Prostredníctvom primeranej rýchlosti posuvu zamedzte prehriatiu zubov pílového listu.

SIEŤOVÁ PRÍPOJKA

Pripájať len na jednofázový striedavý prúd a na sieťové napätie uvedené na štítku. Pripojenie je možné aj do zásuviek bez ochranného kontaktu, pretože ide o konštrukciu ochrannej triedy II.

Zásuvky vo vonkajšom prostredí musia byť vybavené ochranným spínačom proti prudovým nárazom (FI, RCD, PRCD). Toto je inštalčný predpis na Vaše elektrické zariadenie. Venujte prosím tomuto pozornosť pri používaní nášho prístroja.

Len vypnutý stroj pripájajte do zásuvky.

Z dôvodu nebezpečia skratu sa do vetracích otvorov nesmú dostať kovové predmety.

Pripojovací kábel držte mimo pracovnej oblasti stroja. Kábel smerujte vždy smerom dozadu od stroja.

Pred každým použitím skontrolovať prístroj, pripojovací kábel, predlžovací kábel a zástrčku, či nedošlo k poškodeniu alebo zostárnutiu. Poškodené časti nechať opraviť odborníkom.

Napájacia špička spôsobí fluktuácie napätia a môže mať vplyv na ostatné elektrické zariadenia na rovnakom elektrickom vedení. Produkt pripojte do elektrickej siete s impedanciou 0.368 Ω, minimalizujete tak fluktuácie napätia.

Bližšie vysvetlenie žiadajte od vášho dodávateľa elektrickej energie.

POUŽITIE PODĽA PREDPISOV

Ručná okružná píla je vhodná na robenie priamych rezov do dreva.



CE - VYHLÁSENIE KONFORMITY

Výhradne na vlastnú zodpovednosť vyhlasujeme, že výrobok popísaný v „Technických údajoch“ sa zhoduje so všetkými relevantnými predpismi smernice 2011/65/EU (RoHS), 2004/108/ES, 2006/42/ES a nasledujúcimi harmonizujúcimi normatívnymi dokumentmi:

EN 60745-1:2009 + A11:2010

EN 60745-2-5:2010

EN 55014-1:2006 + A1:2009 + A2:2011

EN 55014-2:1997 + A1:2001 + A2:2008

EN 61000-3-2:2006 + A1:2009 + A2:2009

EN 61000-3-11:2000



Winnenden, 2014-03-03

Alexander Krug / Managing Director
Splnomocnený zostaviť technické podklady.

Techtronic Industries GmbH
Max-Eyth-Straße 10, 71364 Winnenden, Germany

ÚDRZBA

Pred každou prácou na stroji vyťahnite zástrčku zo zásuvky.

Vždy odpojte nástroj od elektrickej siete pred montážou alebo demontážou ostria píly.

Prístroj a ochranné zariadenie čistite suchou handričkou. Niektoré čistiace prostriedky poškodzujú plast alebo iné izolované časti.

Vetracie otvory udržiavať stále v čistote.

Pravidelne odstraňujte prach. Odstráňte piliny nahromadené vo vnútri píly, aby ste zamedzili riziká vzniku požiaru.

Prístroj udržiavajte čistý a suchý, ako aj bez uniknutého oleja a maziva.

Skontrolujte funkčnosť ochranných krytov.

Pravidelná údržba a čistenie sa postará o dlhú životnosť a bezpečnú manipuláciu.

Ak je prípojný kábel elektrického prístroja poškodený, tak musí byť nahradený špeciálne upraveným prípojným káblom, ktorý je možné získať prostredníctvom organizácie servisu pre zákazníkov.

Používať len AEG príslušenstvo a náhradné diely. Súčiastky bez návodu na výmenu treba dať vymeniť v jednom z AEG zákazníckych centier (viď brožúru Záruka/Adresy zákazníckych centier).

V prípade potreby si môžete v servisnom centre pre zákazníkov alebo priamo od firmy Techtronic Industries GmbH, Max-Eyth-Straße 10, 71364 Winnenden, Nemecko, vyžiadať schematický nákres jednotlivých dielov prístroja pri uvedení typu prístroja a šesťmiestneho čísla na výkonovom štítku.

SYMBOLY



POZOR! NEBEZPEČENSTVO!



Pred prvým použitím prístroja si pozorne prečítajte návod na obsluhu.



Pri práci so strojom vždy nosite ochranné okuliare.



Používajte ochranu sluchu!



Pri práci nosiť vhodnú ochrannú masku, aby sa nedostal do ľudského organizmu.



Používajte ochranné rukavice!



Pred každou prácou na stroji vyťahnite zástrčku zo zásuvky.



Nepoužívajte silu.



Príslušenstvo - nie je súčasťou štandardnej výbavy, odporúčané doplnenie z programu príslušenstva.



Elektrické náradie nevyhadzujte do komunálneho odpadu! Podľa európskej smernice 2002/96/ES o nakladaní s použitými elektrickými a elektronickými zariadeniami a zodpovedajúcich ustanovení právnych predpisov jednotlivých krajín sa použité elektrické náradie musí zbierať oddelene od ostatného odpadu a podrobiť ekologickej šetrnej recyklácii.



Elektrický prístroj triedy ochrany II Elektrický prístroj, pri ktorom ochrana pred zásahom el. prúdom závisí nie len od základnej izolácie, ale aj od toho, že budú použité aj doplnkové ochranné opatrenia, akými sú dvojité izolácia alebo zosilnená izolácia. Neexistuje žiadne zariadenie na pripojenie ochranného vodiča.



Značka CE



DANE TECHNICZNE Elektroniczna pilarka tarczowa	KS 66-2
Numer produkcyjny	4466 76 01 000001-999999
Znamionowa moc wyjściowa	1600 W
Prędkość bez obciążenia	5800 min ⁻¹
Średnica ostrza piły x średnica otworu	190 x 30 mm
Grubość brzeszczotu	2,2 mm
Maksymalna głębokość cięcia przy 0° / 45° / 56°	63 / 47 / 36 mm
Ciężar wg procedury EPTA 01/2003	4,8 kg
Informacja dotycząca szumów/wibracji Zmierzone wartości wyznaczone zgodnie z normą EN 60745. Poziom szumów urządzenia oszacowany jako A wynosi typowo: Poziom ciśnienia akustycznego (K=3dB(A)) Poziom mocy akustycznej (K=3dB(A))	92,5 dB(A) 103,5 dB(A)
Należy używać ochroniaczy uszu!	
Wartości łączne drgań (suma wektorowa trzech kierunków) wyznaczone zgodnie z normą EN 60745 Piłowanie drewna Wartość emisji drgań a _{h,w} Niepewność K=	4,5 m/s ² 1,5 m/s ²



OSTRZEŻENIE

Podany w niniejszych instrukcjach poziom drgań został zmierzony za pomocą metody pomiarowej zgodnej z normą EN 60745 i może być użyty do porównania ze sobą elektronarzędzi. Nadaje się on również do tymczasowej oceny obciążenia wibracyjnego.

Podany poziom drgań reprezentuje główne zastosowania elektronarzędzia. Jeśli jednakże elektronarzędzie użyte zostanie do innych celów z innymi narzędziami roboczymi lub nie jest dostatecznie konserwowane, wtedy poziom drgań może wykazywać odchylenia. Może to wyraźnie zwiększyć obciążenie wibracjami przez cały okres pracy.

Dla dokładnego określenia obciążenia wibracjami należy uwzględnić również czasy, w których urządzenie jest wyłączone względnie jest wyłączone, lecz w rzeczywistości nie pracuje. Może to spowodować wyraźną redukcję obciążenia wibracyjnego w całym okresie pracy.

Należy wprowadzić dodatkowe środki zapobiegawcze celem ochrony obsługującego przed oddziaływaniem drgań, jak na przykład: konserwacja narzędzi roboczych i elektronarzędzi, nagrzanie rąk, organizacja przebiegu pracy.


OSTRZEŻENIE! Prosimy o przeczytanie wskazówek bezpieczeństwa i zaleceń, również tych.

Błędy w przestrzeganiu poniższych wskazówek mogą spowodować porażenie prądem, pożar i/lub ciężkie obrażenia ciała.

Należy starannie przechowywać wszystkie przepisy i wskazówki bezpieczeństwa dla dalszego zastosowania.

INSTRUKCJE BEZPIECZEŃSTWA DLA ELEKTRONICZNA PILARKA TARCZOWA

Procedura cięcia

 **NIEBEZPIECZEŃSTWO: Należy uważać, by ręce nie dostały się w zasięg piłowania i nie dotknęły brzeszczotu. Drugą ręką należy trzymać uchwyt dodatkowy lub obudowę silnika.** Gdy obydwie ręce trzymają piłę tarczową, brzeszczot nie może ich zranić.

Nie należy chwycić niczego pod obrabianym przedmiotem. Osłona ochronna nie może chronić Państwa przed brzeszczotem pod obrabianym przedmiotem.

Głębokość cięcia należy dopasować do grubości obrabianego przedmiotu. Powinno być widoczne mniej jak pełna wysokość zębów pod obrabianym przedmiotem.

Nie należy nigdy trzymać przedmiotu do piłowania w ręce

lub podtrzymywać nogą. Obrabiany przedmiot należy zabezpieczyć na stabilnym podłożu. Ważne jest, by obrabiany przedmiot dobrze umocować, aby zmniejszyć niebezpieczeństwo kontaktu z ciałem, zablokowanie się brzeszczotu lub utraty kontroli nad urządzeniem.

Podczas prac, przy których elektronarzędzie mogłyby natrafić na ukryte przewody elektryczne lub na własny przewód, należy je trzymać tylko za izolowaną rękkojeść. Pod wpływem kontaktu z przewodami będącymi pod napięciem, wszystkie części metalowe elektronarzędzia znajdują się również pod napięciem i mogą spowodować porażenie prądem osoby obsługującej.

Przy cięciach wzdłużnych należy używać zawsze oporu lub prostej prowadnicy krawędzi. Polepsza to dokładność cięcia i zmniejsza możliwość, że brzeszczot się zablokuje.

Należy używać zawsze brzeszczotów odpowiedniej wielkości i z pasującym otworem zamocowania (np. gwiazdowym lub okrągłym). Brzeszczoty, które nie pasują do części montażowych piły kręcą się nierównomiernie i prowadzą do utraty kontroli nad urządzeniem.

Nie należy używać nigdy uszkodzonych lub złych podkładek lub śrub do brzeszczotu. Podkładki i śruby do brzeszczotu zostały skonstruowane specjalnie dla Państwa piły, w celu

optymalnej wydajności i bezpieczeństwa pracy. Przyczyny i uniknięcie odbicia zwrotnego: - Odbicie zwrotne jest nagłą reakcją jako następstwo haczących się, zablokowanych lub nieprawidłowo nastawionych brzeszczotów, które prowadzi do tego, że niekontrolowana piła podnosi się i porusza wysuwając z obrabianego przedmiotu w kierunku osoby obsługującej urządzenie; - Gdy brzeszczot zahaczy się lub zablokuje w zamykającym się rzazie, brzeszczot blokuje się a siła silnika odbija urządzenie w kierunku osoby obsługującej urządzenie;

- Gdy brzeszczot zostanie przekręcony lub nieprawidłowo ustawiony w rzazie, zęby tylnej krawędzi brzeszczotu mogą się zahaczyć na powierzchni obrabianego przedmiotu, przez co brzeszczot wysuwa się z rzazu, a piła odskakuje w kierunku osoby obsługującej urządzenie. **Odbicie zwrotne jest następstwem nieprawidłowego lub błędnego używania piły. Można mu zapobiec stosując odpowiednie środki ostrożności, tak jak opisano niżej. Piłę należy trzymać obydwo rękami a ramiona powinny zająć taką pozycję, w której można oprzeć się siłom odbicia zwrotnego. Należy przyjąć pozycję zawsze z boku brzeszczotu, nigdy nie doprowadzić do tego, by brzeszczot znajdował się na jednej linii z ciałem.** Przy odbiciu zwrotnym piła może odskoczyć do tyłu, jednak osoba ją obsługująca może zapanować nad siłami odbicia zwrotnego, gdy zostały podjęte odpowiednie środki zaradcze.

W przypadku, gdy brzeszczot zablokował się lub piłowanie zostało przerwane z innego powodu, należy zwolnić włącznik/wyłącznik i piłę trzymać spokojnie w obrabianym materiale, aż do momentu, gdy brzeszczot znajduje się całkowicie w bezruchu. Nie należy nigdy próbować wyjęcia piły z obrabianego przedmiotu lub ciągnięcia jej do tyłu tak długo, jak długo brzeszczot znajduje się w ruchu, lub mógłoby zdarzyć się odbicie zwrotne. Należy wykryć przyczynę zablokowania się brzeszczotu i usunąć ją odpowiednimi środkami zaradczymi. Gdy chce się ponownie włączyć piłę, która tkwi w obrabianym przedmiocie, należy brzeszczot wycentrować w rzazie i skontrolować, czy zęby piły nie są zahaczone w obrabianym przedmiocie. W przypadku, gdy brzeszczot jest zablokowany, może on wypaść z obrabianego przedmiotu lub spowodować odbicie zwrotne, gdy piła zostanie ponownie włączona.

Duże płyty należy podeprzeć, aby zmniejszyć ryzyko odbicia zwrotnego spowodowane zablokowaniem brzeszczotem. Duże płyty mogą się przegiąć pod ciężarem własnym. Płyty muszą być z dwóch stron podparte, zarówno w pobliżu rzazu, jak i na krawędzi.

Nie należy używać tępych lub uszkodzonych brzeszczotów. Brzeszczoty z tępymi lub nieprawidłowo ustawionymi zębami powodują podwyższone tarcie, zablokowanie i odbicie zwrotne, spowodowane za wąskim rzazem.

Przed piłowaniem należy dokręcić nastawienia głębokości i kąty cięcia. W przypadku, gdy nastawienia zmienia się podczas piłowania, brzeszczot może się zablokować i tym samym wystąpić odbicie zwrotne. Należy być szczególnie ostrożnym przy wykonywaniu „cięcia wgłębnego” w ukrytym zasięgu pracy, np. w istniejącej ścianie. Wgłębiający się brzeszczot może się przy cięciu w ukrytych obiektach zablokować i spowodować odbicie zwrotne.

Funkcja dolnej osłony

Przed każdym użyciem należy skontrolować, czy dolna osłona ochronna zamyka się prawidłowo. Nie należy używać piły, gdy dolna osłona ochronna nie porusza się bez przeszkód i nie zamyka się natychmiast. Nie dozwolone jest blokowanie lub przywiązywanie dolnej osłony ochronnej w pozycji otwartej. Gdy piła upadnie niezamierzenie na podłogę,

osłona ochronna może się skrzywić. Należy otworzyć osłonę ochronną dźwignią odciągającą i zabezpieczyć, by poruszała się ona bez przeszkód i przy wszystkich kątach i głębokościach cięcia nie dotykała zarówno brzeszczotu jak i innych części. Należy skontrolować funkcjonowanie sprężyn do dolnej osłony ochronnej. Przed użyciem należy urządzenie oddać do doglądu, gdy dolna osłona ochronna i sprężyny pracują nieprawidłowo. Uszkodzone części, klejące się osady lub spiętrzające się wióry powodują opóźnioną pracę osłony ochronnej.

Otworzyć ręcznie dolną osłonę ochronną tylko przy szczególnych rodzajach cięcia, takich jak „cięcie wgłębne i pod kątem”. Dolną osłonę ochronną otworzyć dźwignią odciągającą i ponownie zwolnić, skoro tylko brzeszczot zagłębił się w obrabiany przedmiot. Przy wszystkich innych pracach dolna osłona ochronna musi pracować automatycznie.

Piły nie należy odkładać na stole roboczym lub podłogę, gdy dolna osłona ochronna nie zakrywa brzeszczotu. Niezabezpieczony, będący na wybiegu brzeszczot porusza piłę w kierunku odwrotnym do kierunku cięcia i tnie wszystko, co stoi na przeszkodzie. Przy tym należy uważać na czas opóźnienia wybiegu piły.

DODATKOWE WSKAZÓWKI BEZPIECZEŃSTWA I INSTRUKCJE ROBOCZE

Stosować środki ochrony słuchu! Hałas może powodować utratę słuchu.

Podczas pracy należy zawsze nosić okulary ochronne. Zalecane jest także noszenie rękawic, mocnego, nieślizgającego się obuwia oraz ubrania roboczego.

Pył wydzielający się podczas pracy z elektronarzędziem może być szkodliwy dla zdrowia i dlatego też nie powinien on mieć kontaktu z ciałem. Stosować układ pochłaniania pyłu i nosić odpowiednią maskę ochronną. Dokładnie usunąć nagromadzony pył np. przy pomocy odkurzacza.

Nie używać ostrzy nie odpowiadających głównym parametrom podanym w instrukcji obsługi.

Proszę nie stosować tarcz szlifierskich

Nie blokować wyłącznika w pozycji „on” („włączony”) przy pracy z piłą trzymaną w rękach.

WSKAZÓWKI DOTYCZĄCE UŻYTKOWANIA

Poprzez zastosowanie odpowiedniej szybkości posuwu unikać przegrzania zębów pił tarczowych.

PODŁĄCZENIE DO SIECI

Podłączać tylko do źródła zasilania prądem zmiennym jednofazowym i wyłącznie o napięciu podanym na tabliczce znamionowej. Możliwe jest również podłączenie do gniazdka bez uziemienia, ponieważ konstrukcja odpowiada II klasie bezpieczeństwa.

Urządzenia pracujące w wielu różnych miejscach, w tym poza pomieszczeniami zamkniętymi, należy podłączać poprzez ochronny (FI, RCD, PRCD) wyłącznik udarowy.

Elektronarzędzie można podłączać do gniazdka sieciowego tylko wtedy, kiedy jest wyłączone.

Nie dopuszczać do przedostawania się części metalowych do szczelin powietrznych - niebezpieczeństwo zwarcia!

Kabel zasilający nie może znajdować się w obszarze roboczym elektronarzędzia. Powinien on się zawsze znajdować się za operatorem.

Przed rozpoczęciem pracy sprawdzić, czy na elektronarzędziu, kablu i wtyczce nie ma oznak uszkodzeń lub zmęczenia materiału. Naprawy mogą być przeprowadzane wyłącznie przez upoważnionych Przedstawicieli Serwisu.

Wpływać na pracę innych urządzeń elektrycznych podłączonych do tej samej linii zasilającej. Podłączyć produkt do źródła zasilania o impedancji wynoszącej 0.368 Ω, aby ograniczyć wahania napięcia.

Skontaktuj się z dostawcą energii elektrycznej, aby uzyskać szczegółowe informacje.

WARUNKI UŻYTKOWANIA

Elektroniczna pilarka tarczowa może być używana do cięcia wzdłużnego oraz cięcia skośnego w drewnie.

DEKLARACJA ZGODNOŚCI CE

Oświadczamy na naszą wyłączną odpowiedzialność, że produkt opisany w punkcie „Dane techniczne” jest zgodny ze wszystkimi istotnymi przepisami Dyrektywy 2011/65/EU (RoHS), 2004/108/WE, 2006/42/WE oraz z następującymi zharmonizowanymi dokumentami normatywnymi:

EN 60745-1:2009 + A11:2010

EN 60745-2-5:2010

EN 55014-1:2006 + A1:2009 + A2:2011

EN 55014-2:1997 + A1:2001 + A2:2008

EN 61000-3-2:2006 + A1:2009 + A2:2009

EN 61000-3-11:2000



Winnenden, 2014-03-03

Alexander Krug / Managing Director
Upoważniony do zestawienia danych technicznych

Techtronic Industries GmbH
Max-Eyth-Straße 10, 71364 Winnenden, Germany

UTRZYMANIE I KONSERWACJA

Przed przystąpieniem do jakichkolwiek prac związanych z elektronarzędziem należy wyjąć wtyczkę z gniazdka.

Należy pamiętać, aby przed założeniem lub zdjęciem tarczy tnącej wyjąć wtyczkę z gniazda sieciowego.

Oczyszczyć urządzenie i elementy zabezpieczające za pomocą suchej ściereczki. Niektóre środki czyszczące powodują uszkodzenie tworzywa sztucznego lub innych izolowanych części.

Otwory wentylacyjne elektronarzędzia muszą być zawsze drożne.

Regularnie usuwać pył. W celu uniknięcia zagrożenia pożarem należy usuwać wióry gromadzące się we wnętrzu piły.

Utrzymywać urządzenie w stanie czystym i suchym oraz wolnym od wyciekającego oleju i smaru.

Sprawdzić działanie osłon.

Regularna konserwacja i czyszczenie przyczyniają się do wydłużonej trwałości i bezpiecznego użytkowania.

W przypadku uszkodzenia przewodu podłączeniowego elektronarzędzia, należy go zastąpić specjalnie przygotowanym przewodem podłączeniowym, który można nabyć w sieci

serwisowej.

Należy stosować wyłącznie wyposażenie dodatkowe i części zamienne AEG. W przypadku konieczności wymiany części, dla których nie podano opisu, należy skontaktować się z przedstawicielami serwisu AEG (patrz lista punktów obsługi gwarancyjnej/serwisowej).

W razie potrzeby można zamówić rysunek urządzenia w rozłożeniu na części podając typ maszyny oraz sześciopozycyjny numer na tabliczce znamionowej w Punkcie Obsługi Klienta lub bezpośrednio w firmie Techtronic Industries GmbH, Max-Eyth-Straße 10, 71364 Winnenden, Germany.

SYMBOLE



UWAGA! OSTRZEŻENIE NIEBEZPIECZEŃSTWO!



Przed uruchomieniem elektronarzędzia zapoznać się uważnie z treścią instrukcji.



Podczas pracy należy zawsze nosić okulary ochronne.



Należy używać ochroniaczy uszu!



Nosić odpowiednią maskę przeciwpyłową.



Nosić rękawice ochronne!



Przed przystąpieniem do jakichkolwiek prac związanych z elektronarzędziem należy wyjąć wtyczkę z gniazdka.



Nie używać siły.



Wyposażenie dodatkowe dostępne osobno.



Nie wyrzucaj elektronarzędzi wraz z odpadami z gospodarstwa domowego! Zgodnie z Europejską Dyrektywą 2002/96/WE w sprawie zużytego sprzętu elektrotechnicznego i elektronicznego oraz dostosowaniem jej do prawa krajowego, zużyte elektronarzędzia należy posegregować i zutylizować w sposób przyjazny dla środowiska.



Elektronarzędzie klasy ochrony II Elektronarzędzie, w którym zabezpieczenie przed porażeniem prądowym zależy nie tylko od izolacji podstawowej, lecz również od tego, czy zostały zastosowane dodatkowe środki ochrony, takie jak: izolacja podwójna lub izolacja wzmacniona. Nie ma żadnego urządzenia do podłączenia przewodu ochronnego.



Znak CE



MŰSZAKI ADATOK elektronikus körfűrészszel	KS 66-2
Gyártási szám	4466 76 01 000001-999999
Névleges teljesítményfelvétel	1600 W
Üresjárat fordulat/szám	5800 min ⁻¹
Fűrészlap átmérő x lyukátmérő	190 x 30 mm
Fűrészlap vastagság	2,2 mm
Max. vágási mélység-nál 0° / 45° / 56°	63 / 47 / 36 mm
Súly a 01/2003 EPTA-eljárás szerint.	4,8 kg
Zaj-/Vibráció-információ A közölt értékek megfelelnek az EN 60745 szabványnak. A készülék munkahelyi zajszintje tipikusan: Hangnyomás szint (K=3dB(A)) Hangteljesítmény szint (K=3dB(A)) Hallásvédő eszköz használata ajánlott!	92,5 dB(A) 103,5 dB(A)
Összesített rezgésértékek (három irány vektoriális összege) az EN 60745-nek megfelelően meghatározva. Fa fűrészlése rezgésemisszió érték a _{h,w} bizonytalanság K=	4,5 m/s ² 1,5 m/s ²



Mag

FIGYELMEZTETÉS

A jelen utasításokban megadott rezgésszint értéke az EN 60745-ben szabályozott mérési eljárásnak megfelelően került lemérésre, és használható elektromos szerszámokkal történő összehasonlításhoz. Az érték alkalmas a rezgésterhelés előzetes megbecsülésére is.

A megadott rezgésszint-érték az elektromos szerszám legfőbb alkalmazásait reprezentálja. Ha az elektromos szerszámot azonban más alkalmazásokhoz, eltérő használt szerszámokkal vagy nem elegendő karbantartással használják, a rezgésszint értéke eltérő lehet. Ez jelentősen megnövelheti a rezgésterhelést a munkavégzés teljes időtartama alatt.

A rezgésterhelés pontos megbecsüléséhez azokat az időket is figyelembe kell venni, melyekben a készülék lekapcsolódik, vagy ugyan működik, azonban ténylegesen nincs használatban. Ez jelentősen csökkentheti a rezgésterhelést a munkavégzés teljes időtartama alatt.

Határozzon meg további biztonsági intézkedéseket a kezelő védelmére a rezgések hatása ellen, például: az elektromos és a használt szerszámok karbantartásával, a kezek melegen tartásával, a munkafolyamatok megszervezésével.



FIGYELMEZTETÉS! Olvasson el minden biztonsági útmutatót és utasítást.

A következőkben leírt előírások betartásának elmulasztása áramütésekhez, tűzhez és/vagy súlyos testi sérülésekhez vezethet.

Kérjük a későbbi használatra gondosan őrizze meg ezeket az előírásokat.



BIZTONSÁGI UTASÍTÁSOK ELEKTRONIKUS KÖRFŰRÉSSZEL

Fűrészelési mód



VESZÉLY: Sohase tegye be a kezét a fűrészelési területre és sohase érjen hozzá a fűrészlaphoz. Fogja meg a másik kezével a pótfogantyút vagy a motorházat. Ha mindkét kezével tartja a körfűrészszel, akkor az nem tudja megsérteni a kezét.

Sohase nyúljon be a munkadarab alá. A védőburkolat a munkadarab alatt nem nyújt védelmet a fűrészlappal szemben.

A vágási mélységet a munkadarab vastagságának megfelelően kell megválasztani. A fűrészlaphoz a munkadarab alatt kevesebb mind egy teljes fogmagasságnynak kell kilátszania.

Sohase a kezével vagy a lábán vagy a lábával próbálja meg a fűrészelésre kerülő munkadarabot lefogni. A megmunkálásra kerülő munkadarabot mindig egy stabil alapra

rögzítse. Nagyon fontos, hogy a munkadarabot biztonságosan rögzítse, hogy csökkentse a fűrészlap beékelődésekor felmerülő veszélyeket, mindenekelőtt annak veszélyét, hogy a munkadarab vagy a készülék nekivágódjon valamelyik testrésznek.

Az elektromos kéziszerszámot csak a szigetelt fogantyúfelületnél fogva tartsa, ha olyan munkát végez, amelynek során a betétszerszám feszültség alatt álló, kívülről nem látható vezetékhez, vagy a készülék saját hálózati csatlakozó kábeljéhez érhet. Ha a berendezés egy feszültség alatt álló vezetékhez ér, az elektromos kéziszerszám fémrészei szintén feszültség alá kerülnek és áramütéshez vezetnek.

Hosszirányú vágásokhoz használjon mindig egy ütközőt vagy egy egyenes vezetőléceket. Ez megnöveli a vágás pontosságát és csökkenti a fűrészlap beakadásának lehetőségét.

Mindig csak a helyes méretű és a készüléknek megfelelő rögzítő (például csillagalakú vagy körkeresztmetszetű) nyílással ellátott fűrészlapokat használjon. Azok a fűrészlapok, amelyek nem illeszkednek hozzá a fűrész rögzítő alkatrészeihez, nem futnak körkörösre és ahhoz vezetnek, hogy a kezelő elveszti a készülék feletti uralmát.

Sohase használjon megrongálódott vagy hibás fűrészlap-alátétárcsákat vagy -csavarokat. A fűrészlap-alátétárcsák és -csavarok kifejezetten az Ön fűrészéhez kerültek kifejlesztésre és hozzájárulnak annak optimális

teljesítményéhez és biztonságához. Egy visszarugás okai és megelőzésének módja: - egy visszarugás a beakadó, beékelődő, vagy hibás helyzetbe állított fűrészlap következtében fellépő hirtelen reakció, amely ahhoz vezet, hogy a fűrész, amely felett a kezelő elvesztette az uralmát, akaratlanul kiemelkedik a munkadarabból és a kezelő személy felé mutató irányba mozdul; - ha a fűrészlap az összezáródó fűrészelési részbe beakad vagy beékelődik és leblokkol, és a motor ereje az egész készüléket a kezelő személy irányába rántja vissza;

- ha a fűrészlapot megfordítva vagy hibás irányba állítva teszik be a vágásba, a fűrészlap hátsó élén elhelyezkedő fűrészfogak beakadhatnak a munkadarab felületébe, melynek következtében a fűrészlap kilép a vágásból és a fűrész hátrafelé, a kezelő személy felé mutató irányba ugrik. **Egy visszarugás mindig a fűrész hibás vagy helytelen használatának következménye. Ezt az alábbiakban leírásra kerülő megfelelő óvatossági intézkedésekkel meg lehet gátolni. Tartsa a fűrész mindkét kezével szorosan fogva és hozza a karjait olyan helyzetbe, amelyben a visszaütő erőket jobban fel tudja venni. A fűrészlaphoz viszonyítva mindig oldalt álljon, sohasem hozza a fűrészlapot a testével egy síkba.** Egy visszarugás esetén a körfűrész hátrafelé is tehet egy ugrást, de megfelelő intézkedések meghozatala esetén a kezelő személy a visszaütő erőket fel tudja fogni.

Ha a fűrészlap beszorul, vagy a fűrészelési folyamat valami más okból megszakad, engedje el a be-/kikapcsolót és tartsa nyugodtan a fűrész a munkadarabban, amíg a fűrészlap teljesen le nem áll. Sohasem próbálja meg kivenni a fűrész a munkadarabból, vagy hátrafelé húzni, amíg a fűrészlap még mozgásban van és amíg még egy visszarugás léphet fel. Keresse meg a fűrészlap beszorulásának okát és megfelelő intézkedéssel hárítsa el a hibát. Ha a munkadarabban álló fűrészlapot újra el akarja indítani, először hozza a fűrészlapot a fűrészelési rész közepére, és ellenőrizze, nincse-e beakadva egy vagy több fog a munkadarabba. Ha a fűrészlap be van szorulva, akkor az újraindításkor kiugorhat a munkadarabból, vagy egy visszarugást is okozhat.

Nagyobb lapok megmunkálásánál támassza ezt megfelelően alá, nehogy egy beszorult fűrészlap következtében visszarugás lépjen fel. A nagyobb méretű lapok saját súlyuk alatt leőghatnak, illetve meggörbülhetnek. A lapokat mindkét oldalukon, mind a fűrészelési rés közelében, mind a szélükön alá kell támasztani.

Sohasem használjon életlen vagy megrongálódott fűrészlapokat. Az életlen vagy hibásan beállított fogú fűrészlapok egy túl keskeny vágási résben megnövekedett súrlódáshoz, a fűrészlap beragadásához és visszarugásokhoz vezetnek.

A fűrészelés előtt húzza meg szorosan a vágási mélység és vágási szög beállító elemeket. Ha a fűrészelés során megváltoznak a beállítások, a fűrészlap beékelődhet és a fűrész visszarúghat. Különösen óvatosan kell dolgozni, ha egy nem átlátható területen, például egy fal egyik oldalán hajt végre „süllyesztő vágást”. Az anyagba besüllyedő fűrészlap a fűrészelés közben kívülről nem látható akadályokban megakadhat és ez egy visszarugáshoz vezethet.

Function of the bottom guard

Ellenőrizze minden használat előtt, hogy az alsó védőburkolat tökéletesen zár-e. Ne használja a fűrész, ha az alsó védőburkolat nem mozog szabadon és nem zár azonnal. Sohasem akassza be vagy kösse meg nyitott helyzetben az alsó védőburkolatot. Ha a fűrész véletlenül leesik a padlóra, az alsó védőburkolat meggörbülhet. Nyissa ki a visszahúzó karral a védőburkolatot és gondoskodjon arról, hogy az szabadon mozogjon és semmilyen vágási szögnél és

vágási mélységnél sem érintse meg sem a fűrészlapot, sem a berendezés egyéb alkatrészeit. Ellenőrizze az alsó védőburkolat rugójának működését. Ha az alsó védőburkolat és annak mozgató rugója nem működik tökéletesen, akkor végeztesse el a megfelelő karbantartási munkákat. Megrongálódott alkatrészek, ragasztó-lerakódások, vagy forgácsok lelassítják az alsó védőburkolat működését.

Az alsó védőburkolatot csak különleges vágási módok, mint „süllyesztő és szög vágások” esetén szabad kézzel kinyitani. Nyissa ki a visszahúzó karral az alsó védőburkolatot, és engedje azt el, mielőtt a fűrészlap behatol a munkadarabba. Az alsó védőburkolatnak minden más fűrészelési munkánál automatikusan kell működnie.

Sohasem tegye le a fűrész a munkapadra vagy a padlóra, ha az alsó védőburkolat nem borítja be teljesen a fűrészlapot. Egy védetlen, utánfutó fűrészlap a vágási irányval ellentéző irányba mozog és mindenbe belevág, ami az útjába kerül. Ügyeljen ekkor a fűrész utánfutási idejére.

TOVÁBBI BIZTONSÁGI ÉS MUNKAÉGÉZSI UTASÍTÁSOK

Viseljen hallásvédőt. A zaj hatása hallásvesztést okozhat.

Munkavégzés közben ajánlatos védőszemüveget viselni. Védőkesztyű, zárt és csúszásmentes cipő, valamint védőkötény használata szintén javasolt.

A munkavégzés során keletkező por az egészségre ártalmas lehet. Ilyen esetben ajánlatos a megfelelő elszívó berendezés és a védőmaszk használata. A munkaterületen lerakódott port alaposan el kell takarítani.

Ne használjon olyan fűrészlapot, ami nem egyezik meg a használati útmutatóban feltüntetettekkel.

Ne használjuk csiszolókoronggal!

Ne rögzítse az on/off (be/ki) kapcsolót az „on” (be) pozícióban amikor a fűrész a kézben használja.

A HASZNÁLATRA VONATKOZÓ ÚTMUTATÁSOK

A megfelelő előtolási sebesség megválasztásával kerülje el a fűrészlap túlhevülését.

HÁLÓZATI CSATLAKOZTATÁS

A készüléket csak egyfázisú váltóáramra és a teljesítménytáblán megadott hálózati feszültségre csatlakoztassa. A csatlakoztatás védőérintkező nélküli dugaszolóaljzatokra is lehetséges, mivel a készülék felépítése II. védettségi osztályú.

Szabadban a dugaljat hibaáram-védőkapcsolóval kell ellátni. Az elektromos készülékek üzembehelyezési útmutatása ezt kötelezően előírja (FI, RCD, PRCD). Ügyeljen erre az elektromos kéziszerszámok használatakor is.

A készüléket csak kikapcsolt állapotban szabad ismét áram alá helyezni.

Rövidzárlat veszélye miatt a szellőzőnyílásokba nem kerülhetnek fémdarabkák.

Munka közben a hálózati csatlakozókábelt a sérülés elkerülése érdekében a munkaterülettől, illetve a készüléktől távol kell tartani.

Használat előtt a készüléket, hálózati csatlakozó- és hosszabítókábeleket, valamint a csatlakozódugót sérülés és esetleges elhasználódás szempontjából felülről kell vizsgálni és szükség esetén szakemberrel meg kell javíttatni.



A pillanatnyi áramfelvétel kiugrások feszültségingadozást okozhatnak és ez az azonos áramkörbe kapcsolt más elektromos termékek működésére is hatással lehet. A feszültségfluktuációk minimalizálása érdekében a terméket olyan áramforráshoz csatlakoztassa, amelynek impedanciája 0.368 Ω.

További információért forduljon az áramszolgáltatóhoz.

RENDELTESSZERŰ HASZNÁLAT

Ezzel az elektronikus körfűréssel vághat hosszanti irányban és ferde szögben fában.

CE-AZONOSSÁGI NYILATKOZAT

Egyedüli felelősséggel kijelentjük, hogy a „Műszaki Adatok” alatt leírt termék a 2011/65/EU (RoHS), 2004/108/EK, 2006/42/EK irányelvek minden releváns előírásának, ill. az alábbi harmonizált normatív dokumentumoknak megfelel:

EN 60745-1:2009 + A1:2010

EN 60745-2-5:2010

EN 55014-1:2006 + A1:2009 + A2:2011

EN 55014-2:1997 + A1:2001 + A2:2008

EN 61000-3-2:2006 + A1:2009 + A2:2009

EN 61000-3-11:2000



Winnenden, 2014-03-03

Alexander Krug / Managing Director
Műszaki dokumentáció összeállításra felhatalmazva

Techtronic Industries GmbH
Max-Eyth-Straße 10, 71364 Winnenden, Germany

KARBANTARTÁS

Bármilyen jellegű karbantartás vagy javítás előtt a készüléket áramtalanítani kell.

A fűrészlap felhelyezése és eltávolítása előtt ügyeljen arra, hogy kihúzza a szerszámot az elektromos hálózatról.

A készüléket és a védőeszközt száraz kendővel tisztítsa. Némely tisztítószer károsítja a műanyagot, és más szigetelt alkatrészeket.

A készülék szellőzőnyílásait mindig tisztán kell tartani.

Portalanítsa rendszeresen. Távolítsa el a fűrészbelsejében lerakódott fűrészpórt a tűzveszély elkerülése érdekében.

Tartsa a készüléket tisztán és szárazon, valamint kifolyt olajtól és zsíroktól mentesen.

Ellenőrizze a védőburkolatok működését.

A rendszeres karbantartás és tisztítás hosszú élettartamról és biztonságos kezeléssel rendelkezőről gondoskodik.

Ha az elektromos szerszám tápkábele sérült, úgy speciálisan előkészített tápkábelre kell cserélni, amely a vevőszolgáltatón keresztül szerezhető be.

Javításhoz, karbantartáshoz kizárólag AEG alkatrészeket és tartozékokat szabad használni. A készülék azon részeinek cseréjét, amit a kezelési útmutató nem engedélyez, kizárólag a javításra feljogosított márkaszervíz végezheti. (Lásd a szervízlistát)

Igény esetén a készülékről robbantott rajz kérhető a géptípus és a teljesítménycímeként található hatjegyű szám megadásával az Ön vevőszolgáltatánál, vagy közvetlenül a Techtronic Industries GmbH-től a Max-Eyth-Straße 10, 71364 Winnenden, Németország címen.

SZIMBÓLUMOK



FIGYELEM! FIGYELMEZTETÉS! VESZÉLY!



Kérjük alaposan olvassa el a tájékoztatót mielőtt a gépet használja.



Munkavégzés közben ajánlatos védőszemüveget viselni.



Hallásvédő eszköz használata ajánlott!



Hordjon e célra alkalmas porvédőmaszkot.



Hordjon védőkesztyűt!



Bármilyen jellegű karbantartás vagy javítás előtt a készüléket áramtalanítani kell.



Ne alkalmazzon erőt.



Azokat a tartozékokat, amelyek gyárilag nincsenek a készülékhez mellékelve, külön lehet megrendelni.



Az elektromos kéziszerszámokat ne dobja a háztartási szemétkosárba! A használt villamos és elektronikai készülékekről szóló 2002/96/EK irányelv és annak a nemzeti jogba való átültetése szerint az elhasznált elektromos kéziszerszámokat külön kell gyűjteni, és környezetbarát módon újra kell hasznosítani.



II. védelmi osztályú elektromos szerszám Olyan elektromos szerszám, amelynél az elektromos áramütés elleni védelem nem csak az alapszigeteléstől függ, hanem amelyben kiegészítő védőintézkedéseket, mint pl. kettős szigetelés vagy megerősített szigetelés, alkalmaznak. Nincs lehetőség védőérintkező csatlakoztatására.



CE-jelölés

TEHNIČNI PODATKI Ročna krožna žaga	KS 66-2
Proizvodna številka	4466 76 01 000001-999999
Nazivna sprejemna moč	1600 W
Število vrtljajev v prostem teku	5800 min ⁻¹
List žage ø x vrtalni ø	190 x 30 mm
debelina žaginega lista	2,2 mm
Maks. globina reza pri 0° / 45° / 56°	63 / 47 / 36 mm
Teža po EPTA-proceduri 01/2003	4,8 kg
Informacije o hrupnosti/vibracijah Vrednosti merjenja ugotovljene ustrezno z EN 60745. Raven hrupnosti naprave ovrednotena z A, znaša tipično: Nivo zvočnega tlaka (K=3dB(A)) Višina zvočnega tlaka (K=3dB(A))	92,5 dB(A) 103,5 dB(A)
Nosite zaščito za sluh!	
Skupna vibracijska vrednost (Vektorska vsota treh smeri) določena ustrezno EN 60745. Žaganje lesa Vibracijska vrednost emisij a _{h,w} Nevarnost K=	4,5 m/s ² 1,5 m/s ²



OPOZORILO

V teh navodilih navedena raven tresljajev je bila izmerjena po EN60745 normiranem merilnem postopku in lahko služi medsebojni primerjavi električnih orodij. Prav tako je primeren za predhodno oceno obremenitve s tresljaji.

Navedena raven tresljajev navaja najpomembnejše vrste rabe električnega orodja. Kadar se električno orodje uporablja za drugačne namene, z odstopajočimi orodji ali pa z nezadostnim vzdrževanjem, lahko raven tresljajev tudi odstopa. Le to lahko čez celoten delovni čas znatno zviša obremenitev s tresenjem.

Za natančno oceno obremenitve s tresljaji naj bi se upošteval tudi čas v katerem je naprava izklopljena ali sicer teče, vendar dejansko ni v rabi. Le to lahko obremenitev s tresljaji čez celoten delovni čas znatno zmanjša.


Za zaščito upravljalca pred učinkom tresljajev uvedite dodatne zaščitne ukrepe npr.: Vzdrževanje električnega orodja in orodja, delo s toplimi rokami, organizacija delovnih potekov.

OPOZORILO! Preberite vsa varnostna opozorila in navodila.

Napake zaradi neupoštevanja spodaj navedenih opozoril in napotil lahko povzročijo električni udar, požar in/ali težke telesne poškodbe. **Vsa opozorila in napotila shranite, ker jih boste v prihodnje še potrebovali.**

VARNOSTNA NAVODILA ZA ROČNA KROŽNA ŽAGA

Postopek žaganja

 **NEVARNO: Ne segajte z rokami v območje žaganja in v bližino žaginega lista. Z drugo roko držite dodatni ročaj ali ohišje motorja.** Če boste krožno žago držali z obema rokama, žagin list ne bo mogel poškodovati Vaših rok.

Ne segajte pod obdelovanec. Zaščitni okrov vas v tem primeru ne bo mogel zavarovati pred vrtečim se žaganim listom.

Prosimo, da globino reza prilagodite debelini obdelovanca. Znaša naj manj kot višina zoba, ki je vidna pod obdelovancem.

Obdelovanca nikoli ne držite v roki ali čez nogo, ampak ga na stabilni podlagi zavarujte proti premikanju. Dobra pritrditev obdelovanca je zelo pomembna, saj je tako nevarnost, da bi prišlo do telesnega stika, zatikanja žaginega lista ali izgube nadzora, minimalna.

Če izvajate dela, pri katerih bi lahko vstavno orodje zadelo ob skrite električne vodnike ali ob lastni omrežni kabel, držite električno orodje samo za izolirane ročaje. Stik z vodnikom, ki je pod napetostjo, prenese napetost tudi na kovinske dele električnega orodja in povzroči električni udar.

Pri vzdolžnih rezih vedno uporabljajte prslon ali ravno robno vodilo. To bo zagotovilo večjo točnost reza in zmanjšalo nevarnost zatikanja žaginega lista.

Vedno uporabljajte žagine liste pravilne velikosti, ki se prilagajajo obliki prijemalne prirobnice (rombasta ali okrogla). Žagini listi, ki se ne ujemajo z montažnimi deli žage, se vrtijo neenakomerno in povzročijo izgubo nadzora nad napravo.

Nikoli ne uporabljajte poškodovanih oziroma napačnih podložk ali vijakov žaginega lista. Podložke in vijaki žaginega lista so bili konstruirani posebej za Vašo žago, z namenom doseganja njene optimalne zmogljivost in varnega delovanja. Vzroki in preprečevanje povratnega udarca: povratni udarec je nepričakovana reakcija zagodenega, zataknjenega ali napačno poravnane žaginega lista, zaradi česar se lahko žaga, ki ni več pod nadzorom, premakne iz obdelovanca proti osebi, ki upravlja z žago; - žagin list se lahko zatakne ali zagodzi v rezu, kar povzroči njegovo blokiranje, moč motorja pa potisne napravo nazaj, proti osebi, ki z njo upravlja;

- če žagin list, ki se nahaja v rezu, zasukate ali če žagin list ni bil pravilno naravnat, se lahko zobje zadnjega roba žaginega lista zataknejo, žagin list skoči iz zareze in odleti vzvratno proti osebi, ki upravlja z žago. **Povratni udarec je posledica napačne uporabe žage. Preprečite ga lahko s primernimi previdnostnimi ukrepi, ki so opisani v nadaljevanju besedila. Z obema rokama trdno držite žago. Roke premaknite v položaj, v katerem boste lahko kljubovali povratnim udarcem. Vedno stojite ob strani žaginega lista in se nikoli ne premaknite v položaj, v katerem bi bila Vaše telo in žagin list v isti črti.** Pri povratnem udarcu lahko krožna žaga skoči nazaj, vendar pa lahko upravljalec povratne udarce obvlada, če je prej primerno ukrepal.

Če žagin list obtiči ali se žaganje prekine iz drugega razloga, spustite vklopno-izklopno stikalo in mirno držite žago v obdelovancu, dokler se žagin list popolnoma ne ustavi. Nikoli ne poskušajte žage odstraniti iz obdelovanca ali jo potegniti nazaj, dokler se žagin list premika ali dokler bi lahko prišlo do povratnega udarca. Poiščite vzrok za zatikanje žaginega lista in ga na ustrezen način odstranite. Če želite žago, ki je obtičala v obdelovancu, ponovno zagnati, centrirajte žagin list v rezu in preverite, če niso zobje zatakneni v obdelovancu. Zataknen žagin list se lahko izmakne iz obdelovanca in povzroči povratni udarec v trenutku, ko žago ponovno zaženete.

Večje plošče ustrezno podprite in tako zmanjšajte tveganje za nastanek povratnega udarca zaradi zataknenega žaginega lista. Velike plošče se zaradi lastne teže lahko upognejo, zato jih morate podpreti na obeh straneh, torej blizu reza in na robu.

Ne uporabljajte topih ali poškodovanih žaginih listov. Žagini listi s topimi ali napačno poravnanimi zobmi zaradi preozkega reza povzročajo večje trenje, zatikanje žaginega lista in povratni udarec.

Pred žaganjem trdno privijte nastavitve za globino reza in rezalni kot. Če se nastavitve med rezanjem spremenijo, se lahko žagin list zatakne in povzroči povratni udarec. Še posebno previdni bodite pri »potopnem žaganju« v skrito področje, na primer v obstoječo steno. Žagin list lahko pri potopnem žaganju skritih predmetov blokira in povzroči povratni udarec.

Funkcija spodnjega zaščitnega pokrova

Pred vsako uporabo naprave preverite brežhibno zapiranje spodnjega zaščitnega okrova. Ne uporabljajte žage, če spodnji zaščitni okrov ni prosto gibljiv in se takoj ne zapre. Spodnjega zaščitnega okrova nikoli ne zatikajte ali fiksirajte v odprtem položaju. Če pade žaga nenamerno na tla, se lahko spodnji zaščitni okrov zviije. Odprite ga z ročico za odmik in se prepričajte ali je prosto gibljiv. Zaščitni okrov se pri vseh rezalnih kotih in vseh globinah reza ne sme dotikati niti žaginega lista niti drugih delov žage. Preglejte delovanje vzmeti za spodnji zaščitni okrov. Če spodnji zaščitni okrov in vzmeti ne delujejo brežhibno, oddajte napravo v popravilo. Poškodovani deli, lepljive obloge ali nabiranje ostružkov so vzrok za upočasnjeno delovanje spodnjega zaščitnega okrova.

Ročno odpiranje spodnjega zaščitnega okrova je dovoljeno samo pri posebnih rezih, kakršna sta »potopno žaganje in žaganje pod kotom«. Z ročico za odmik odprite spodnji zaščitni okrov in jo spustite takoj, ko žagin list prodre v obdelovanec. Pri vseh drugih rezih mora spodnji zaščitni okrov delovati samodejno.

Ne odlagajte žage na delovno mizo ali na tla, če spodnji zaščitni okrov ne pokriva žaginega lista. Nezavarovan, vrteč se žagin list premakne žago v protismeri reza in žaga vse, kar mu je na poti. Upoštevajte čas izteka žage.

NADALJNA VARNOSTNA IN DELOVNA OPOZORILA

Nosite zaščito za sluh. Hrup lahko povzroči izgubo sluha.

Pri delu s strojem vedno nosite zaščitna očala. Priporočamo zaščitne rokavice, trdno obuvalo, varno proti drsenju ter predpasnik.

Prah, ki nastaja pri delu, je pogosto zdravju škodljiv in naj ne zaide v telo. Uporabljajte odsesavanje prahu in dodatno nosite primerno masko za zaščito proti prahu. Prah, ki se usede, temeljito očistite, npr. posesajte.

Listi za žago, ki ne odgovarjajo podatkom o značilnosti v tem navodilu za uporabo, se ne smejo uporabiti.

Ne uporabljati brusne plošče

Stikala za vklop/izklop pri ročno vodenem obratovanju ne fiksirajte.

PRACOVNÉ POKYNY

S primerno hitrostjo podajanja se izogibajte pregrevanju zob žaginega lista.

OMREŽNI PRIKLJUČEK

Priključite samo na enofazni izmenični tok in samo na omrežno napetost, ki je označena na tipski ploščici. Priključitev je možna tudi na vtičnice brez zaščitnega kontakta, ker obstaja nadgradnja zaščitnega razreda.

Vtičnice v zunanem področju morajo biti opremljene z zaščitnimi stikali za okvarni tok (FI, RCD, PRCD). To zahteva instalacijski predpis za vašo električno napravo. Prosimo, da to pri uporabi naše naprave upoštevate.

Stroj priključite na vtičnico samo v izklopljenem stanju.

Zaradi nevarnosti kratkega stika kovinski deli ne smejo zaiti v špranje za prezračevanje.

Vedno pazite, da se priključni kabel ne približa področju delovanja stroja. Kabel vedno vodite za strojem.

Pred vsako uporabo kontrolirajte napravo, priključni kabel, kabel za podaljšek in vtičnik glede poškodb in obrabe. Poskrbite, da poškodovane dele popravi izključno strokovnjak.

Tokovna konica povzroči fluktuacije napetosti in lahko vpliva na druge električne izdelke na istem električnem vodu. Izdelek priključite na napajanje z impedanco 0.368 Ω, da čim bolj zmanjšate napetostna nihanja.

Za nadaljnja pojasnila se obrnite na svojega dobavitelja električne energije.

UPORABA V SKLADU Z NAMEMBOSTJO

Ročna krožna žaga je primerna za ravne reze v lesu.



Slo

CE-IZJAVA O KONFORMNOSTI

V lastni odgovornosti izjavljamo, da se pod „Tehnični podatki“ opisan proizvod ujema z vsemi relevantnimi predpisi smernice 2011/65/EU (RoHS), 2004/108/ES, 2006/42/ES in s sledečimi harmoniziranimi normativnimi dokumenti:

EN 60745-1:2009 + A11:2010

EN 60745-2-5:2010

EN 55014-1:2006 + A1:2009 + A2:2011

EN 55014-2:1997 + A1:2001 + A2:2008

EN 61000-3-2:2006 + A1:2009 + A2:2009

EN 61000-3-11:2000



Winnenden, 2014-03-03

Alexander Krug / Managing Director
Pooblaščen za izdelavo spisov tehnične dokumentacije.

Techtronic Industries GmbH
Max-Eyth-Straße 10, 71364 Winnenden, Germany

VZDRŽEVANJE

Pred vsemi deli na stroju izvlecite vtičač iz vtičnice.

Pred nameščanjem ali odstranjevanjem rezila žage se prepričajte, da ste orodje odklopili z napajanja.

Napravo in zaščitno pripravo čistite s suho krpo. Mnoga čistilna sredstva poškodujejo umetne mase ali druge izolirane dele.

Pazite na to, da so prezračevalne reže stroja vedno čiste.

Redno odstranite prah. Odstranite v notranjosti žage nakopičeno žagovino, kako bi preprečili rizik vnetja

Napravo vzdržujte čisto in suho kakor tudi prosto uhajajočega olja in masti.

Preverite delovanje ščitnikov.

Redno vzdrževanje in čiščenje poskrbita za dolgo življenjsko dobo in varno rokovanje.

V kolikor je priključna napeljava električnega orodja poškodovana, jo je potrebno nadomestiti s posebej pripravljeno priključno napeljavo, ki je dobavljiva preko servisne organizacije.

Uporabljajte samo AEG pribor in nadomestne dele. Poskrbite, da sestavne dele, katerih zamenjava ni opisana, zamenjajo v AEG servisni službi (upoštevajte brošuro Garancija/Naslovi servisnih služb).

Po potrebi je mogoče pri vašem servisnem mestu ali neposredno pri Techtronic Industries GmbH, Max-Eyth-Straße 10, 71364 Winnenden, Germany, naročiti eksplozijsko risbo naprave ob navedbi tipa stroja in na tablici navedene šestmestne številke.

SIMBOLI



POZOR! OPOZORILO! NEVARNO!



Prosimo, da pred uporabo pozorno preberete to navodilo za uporabo.



Pri delu s strojem vedno nosite zaščitna očala.



Nosite zaščito za sluh!



Nosite ustrezno masko proti prahu.



Nositi zaščitne rokavice



Pred vsemi deli na stroju izvlecite vtičač iz vtičnice.



Brez uporabe sile.



Oprema – ni vsebovana v obsegu dobave, priporočeno dopolnilo iz programa opreme.



Električnega orodja ne odstranjujte s hišnimi odpadki! V skladu z Evropsko direktivo 2002/96/EC o odpadni elektricni in elektronski opremi in z njenim izvajanjem v nacionalni zakonodaji je treba električna orodja ob koncu njihove življenjske dobe loceno zbirati in jih predati v postopek okolju prijaznega recikliranja.



Električno orodje zaščitnega razreda II Električno orodje, pri katerem zaščita pred električnim udarom ni odvisna zgolj od osnovne izolacije, temveč tudi od tega, da so uporabljeni dodatni ukrepi, kot dvojna ali okrepljena izolacija. Ni priprave za priključek zaščitnega vodnika.



CE-znak



TEHNIČKI PODACI Ručna kružna pila	KS 66-2
Broj proizvodnje	4466 76 01 000001-999999
Snaga nominalnog prijema	1600 W
Broj okretaja praznog hoda	5800 min ⁻¹
List pile- \emptyset x Bušenje- \emptyset	190 x 30 mm
Debljina lista pile	2,2 mm
Max. dubina rezanja kod 0° / 45° / 56°	63 / 47 / 36 mm
Težina po EPTA-proceduri 01/2003	4,8 kg
Informacije o buci/vibracijama Mjerne vrijednosti utvrđene odgovarajuće EN 60745. A-ocijenjeni nivo buke aparata iznosi tipično:	
nivo pritiska zvuka (K=3dB(A))	92,5 dB(A)
nivo učinka zvuka (K=3dB(A))	103,5 dB(A)
Nositi zaštitu sluha!	
Ukupne vrijednosti vibracije (Vektor suma tri smjera) su odmjerene odgovarajuće EN 60745	
Rezanje drva pilom Vrijednost emisije vibracije $a_{h,w}$	4,5 m/s ²
Nesigurnost K=	1,5 m/s ²



UPOZORENIE

Ova u ovim uputama navedena razina titranja je bila izmjerena odgovarajuće jednom u EN 60745 normiranom mjernom postupku i može se upotrijebiti za usporedbu električnog alata međusobno. Ona je prikladna i za privremenu procjenu titrajnog opterećenja.

Navedena razina titranja reprezentira glavne primjene električnog alata. Ukoliko se električni alat upotrebljava u druge svrhe sa odstupajućim primijenjenim alatima ili nedovoljnim održavanjem, onda razina titranja može odstupati. To može titrajno opterećenje kroz cijeli period rada bitno povisiti.

Za točnu procjenu titrajnog opterećenja se moraju uzeti u obzir i vremena u kojima je uređaj isključen ili u kojima doduše radi, ali nije i stvarno u upotrebi. To može titrajno opterećenje bitno smanjiti za vrijeme cijelog radnog perioda.

Utvrđite dodatne sigurnosne mjere za zaštitu poslužioca protiv djelovanja titranja kao npr.: Održavanje električnih alata i upotrebljenih alata, održavanje topline ruku, organizacija i radne postupke.



UPOZORENIE! Pročitajte sigurnosne upute i uputnice.

Ako se ne bi poštivale napomene o sigurnosti i upute to bi moglo uzrokovati strujni udar, požar i/ili teške ozljede.

Sačuvajte sve napomene o sigurnosti i upute za buduću primjenu.



SIGURNOSNE UPUTE ZA RUČNA KRUŽNA PILA

Tehnologija rezanja



OPASNOST Rukama ne zalazite u područje rezanja i do lista pile. Držite s obje ruke dodatnu ručku ili kućište motora. Ako se obim rukama drži kružna pila, list pile ih ne može ozlijediti.

Ne stavljajte prste ispod izratka. Ispod izratka štitnik ih ne može zaštititi od lista pile.

Prilagodite dubinu rezanja debljini izratka. Ispod izratka treba biti vidljiv manje od jedan puni zub.

Piljeni izradak nikada ne držite u rukama ili preko nogu. Izradak osigurajte na stabilnoj podlozi. Važno je da izradak bude dobro pričvršćen, kako bi se na minimum smanjile opasnosti od dodira s tijelom, uklještenje lista pile ili gubitak kontrole nad njim.

Ako izvodite radove kod kojih bi radni alat mogao zahvatiti skrivene električne vodove ili vlastiti priključni kabel, električni alat držite samo za izolirane ručke. Kontakt sa električnim vodom pod naponom, stavlja pod napon i metalne dijelove električnog alata i dovodi do električnog udara.

Kod uzdužnog rezanja koristite uvijek graničnik ili ravnu vodilicu ruba. Time se poboljšava točnost rezanja i smanjuje mogućnost uklještenja lista pile.

Koristite uvijek listove pile odgovarajuće veličine i odgovarajućeg steznog otvora (npr. zvjezdastog ili okruglog). Listovi pile koji ne odgovaraju montažnim dijelovima pile, okretat će se neokruglo i mogu dovesti do gubitka kontrole nad pilom.

Ne koristite nikada oštećene ili pogrešne podložne pločice lista pile ili vijke. Podložne pločice lista pile i vijci specijalno su konstruirani za vašu pilu, za postizanje optimalnog učinka i radne sigurnosti. Uzroci i izbjegavanje povratnog udara:- povratni udar je neočekivana reakcija lista pile koji se je uklješćio, zaglavio ili je loše uravnotežen, što može dovesti do toga da se list pile može nekontrolirano izvući iz izratka i pomaknuti u smjeru osobe koja radi s uređajem;- ako bi se list pile uklješćio, zaglavio ili blokirao u rasporu piljenja koji se zatvara i ako bi sila motora povratno udarila u uređaj, u smjeru osobe koja s njim radi;

- ako bi se list pile u rezu iskrenuo ili pogrešno izravnao, mogli bi zubi stražnjeg ruba lista pile zahvatiti površinu izratka, zbog čega bi list pile iskočio iz raspora pile i odskočio natrag u smjeru osobe koja radi s pilom. **Povratni udar je posljedica pogrešne ili neispravne uporabe pile. On se može spriječiti prikladnim mjerama opreza, koje su opisane u daljnjem tekstu. Držite pilu čvrsto s obje ruke i postavite vaše ruke u položaj u kojem se mogu podnijeti sile povratnog udara. Postavite se uvijek bočno uz list pile, a nikada tako da list pile bude u liniji s vašim tijelom.** Kod povratnog udara kružna pila bi mogla odskočiti natrag, a osoba koja radi s kružnom pilom ne bi mogla savladati sile povratnog udara ako se ne bi poduzele prikladne mjere.

Ukoliko bi se list pile zaglavio ili bi se piljenje prekinulo iz nekog drugog razloga, otpustite prekidač za uključivanje za uključivanje-isključivanje i držite pilu mirno u materijalu sve dok se list pile potpuno ne zaustavi. Ne pokušavajte pilu vaditi iz izratka ili je potezati u natrag, sve dok se list pile pomiče ili bi se mogao dogoditi povratni udar. Pronađite uzrok uklještenja pile i otklonite ga prikladnim mjerama. Ako pilu koja se je zaglavila u izratku želite ponovno pokrenuti, centrirajte list pile u rasporu piljenja i provjerite da zubi pile nisu zahvatili izradak. Ako bi se uklještio list pile, on se može pomaknuti iz izratka ili pokušati povratni udar ako će se pila ponovno pokrenuti.

Velike ploče poduprite, kako bi se izbjegla opasnost od povratnog udara zbog uklještenja lista pile. Velike ploče se mogu saviti pod djelovanjem vlastite težine. Ploče se moraju osloniti na obje strane, kako blizu raspora piljenja, tako i na rubu.

Ne koristite tupe ili oštećene listove pile. Listovi pile s tupim ili pogrešno izravnanim zubima, uzrokuju zbog uskog raspora piljenja povećano trenje, uklještenje lista pile i povratni udar.

Prije piljenja ustanovite dubine rezanja i namještanja kuta rezanja. Ako bi se tijekom piljenja promijenila podešavanja, list pile bi se mogao uklještit ili dovesti do povratnog udara. Budite posebno oprezni ako izvodite „prerezivanje“ u skrivenom području, npr. u postojećem zidu. Zarezani list pile bi se kod piljenja u skrivenim objektima mogao blokirati i uzrokovati povratni udar.

Funkcija donjeg sigurnosnog poklopca

Prije svake uporabe provjerite da li donji štitnik besprijekorno zatvara. Ne koristite pilu ako donji štitnik nije slobodno pomičan i ako se odmah ne zatvara. Nikada ne uklješтите niti učvrstite donji štitnik u otvorenom položaju. Ako bi pila nehotično pala na pod, donji štitnik bi se mogao savinuti. Otvorite štitnik poteznom polugom i provjerite da je slobodno pomičan i da kod svih kutova i dubina rezanja ne dodiruje list pile niti ostale dijelove. Provjerite djelovanje opruge za donji štitnik. Uređaj popravite prije uporabe ako donji štitnik i opruga ne djeluju besprijekorno. Oštećeni dijelovi, ljepljive naslage ili nakupine strugotine mogli bi dovesti do usporenog kretanja donjeg štitnika.

Donji štitnik otvarajte rukom samo kod posebnih rezova, kao npr. „rezanje prerezivanjem i kutni rezovi“. Donji štitnik otvorite polugom za potezanje natrag i oslobodite je čim list pile prođe u izradak. Kod svih drugih radova piljenja donji štitnik mora automatski raditi.

Pilu ne odlažite na radni stol ili pod, ako donji štitnik ne pokriva list pile. Nezaštićeni list pile koji se zaustavlja pod inercijom, mogao bi pilu pomaknuti suprotno smjeru rezanja i zarezati sve što mu se nađe na putu. Kod toga treba paziti na vrijeme zaustavljanja lista pile pod djelovanjem inercije.

OSTALE SIGURNOSNE I RADNE UPUTE

Nosite zaštitu za sluh. Djelovanje buke može uzrokovati gubitak sluha.

Kod radova sa strojem uvijek nositi zaštitne naočale. Zaštitne rukavice, čvrste i protiv klizanja sigurne cipele kao i pregača se preporučuju.

Prašina koja nastaje kod rada je često štetna po zdravlje i ne bi smjela dospjeti u tijelo. Primijeniti usisavanje prašine i dodatno nositi prikladnu zaštitnu masku protiv prašine. Sleglu prašinu temeljito odstraniti, npr. usisati.

Listovi pile, koji ne odgovaraju karakterističnim podacima u ovoj uputi o upotrebi, se ne smiju upotrebljavati.

Ne upotrebljavati brusne ploče!

Prekidač za uključivanje i isključivanje ne priklještitu u ručnom pogonu.

RADNE UPUTE

Izbjegavajte kroz prilagođenu brzinu pomaka pregrijavanje zuba lista pile.

PRIKLUČAK NA MREŽU

Priključiti samo na jednofaznu naizmjeničnu struju i samo na napon struje, naveden na pločici snage. Priklučak je moguć i na utičnice bez zaštitnog kontakta, jer postoji dogradnja zaštitne klase II.

Utičnice na vanjskom području moraju biti opremljene zaštitnim prekidačima za pogrešnu struju (FI, RCD, PRCD). To zahtjeva instalacijski propis za električne uređaje. Molimo da ovo poštuju prilikom upotrebe našeg aparata.

Samo isključeni stroj priključiti na utičnicu.

Zbog opasnosti od kratkog spoja metalni dijelovi ne smiju dospjeti u otvore za prozračivanje.

Priključni kabel uvijek držati udaljenim sa područja djelovanja. Kabel uvijek voditi od stroja prema nazad.

Prije svake upotrebe uređaj, priključni kabel, produžni kabel i utikač provjeriti u svezi oštećenja i starenja. Oštećene dijelove dati popraviti od strane stručnjaka.

Vršna struja uzrokuje fluktuacije napona i može utjecati na druge električne proizvode na istoj liniji napajanja. priključite uređaj na napajanje s impedancijom jednakom 0.368 Ω za minimiziranje fluktuacije napona.

Obratite se dobavljaču električne energije za daljnje informacije.

PROPIŠNA UPOTREBA

Ručna kružna pila je upotrebljiva za piljene ravnolinijskih rezova u drvo.



Hrv

CE-IZJAVA KONFORMNOSTI

Izjavljujemo na osobnu odgovornost, da je proizvod opisan pod „Tehnički podaci“, sukladan sa svim relevantnim propisima smjernice 2011/65/EU (RoHS), 2004/108/EC, 2006/42/EC i sa slijedećim harmoniziranim normativnim dokumentima:

EN 60745-1:2009 + A11:2010

EN 60745-2-5:2010

EN 55014-1:2006 + A1:2009 + A2:2011

EN 55014-2:1997 + A1:2001 + A2:2008

EN 61000-3-2:2006 + A1:2009 + A2:2009

EN 61000-3-11:2000



Winnenden, 2014-03-03

Alexander Krug / Managing Director
Ovlašten za formiranje tehničke dokumentacije.

Techtronic Industries GmbH
Max-Eyth-Straße 10, 71364 Winnenden, Germany

ODRŽAVANJE

Prije radova na stroju izvući utikač iz utičnice.

Prije priključivanja ili uklanjanja lista pile osigurajte da je alat iskopčan iz izvora za napajanje.

Aparat i zaštitni uređaj čistite jednom suhom krpom. Neka sredstva za čišćenje oštećuju plastiku ili druge izolirane dijelove.

Proreze za prozračivanje stroja uvijek držati čistima.

Prah redovno čistite. Piljevine, koje se nalijepe na unutarnju stranu cirkulara čistite redovno, kako bi izbjegli opasnosti požara.

Aparat čuvati čistim i suhim kao i bez iscurjelog ulja i masti.

Provjerite funkciju zaštitnih kapa.

Redovito održavanje i čišćenje se brinu za dugi vijek trajanja i sigurno rukovanje.

Ukoliko je priključni vod električnog alata oštećen, ovaj se mora promijeniti jednim specijalno podešenim priključnim vodom, koji se može dobiti preko servisne organizacije.

Primijeniti samo AEG opremu i rezervne dijelove. Sastavne dijelove, čija zamjena nije opisana, dati zamijeniti kod jedne od AEG servisnih službi (poštivati brošuru Garancija/Adrese servisa).

Po potrebi se crtež pojedinih dijelova aparata uz navođenje podatka o tipu stroja i šestznamenastog broja na pločici snage može zatražiti kod vašeg servisa ili direktno kod Techtronic Industries GmbH, Max-Eyth-Straße 10, 71364 Winnenden, Njemačka.

SIMBOLI



PAŽNJA! UPOZORENIE! OPASNOST!



Molimo da pažljivo pročitate uputu o upotrebi prije puštanja u rad.



Kod radova na stroju uvijek nositi zaštitne naočale.



Nositi zaštitu sluha!



Nositi prikladnu zaštitnu masku protiv prašine.



Nositi zaštitne rukavice!



Prije radova na stroju izvući utikač iz utičnice.



Ne upotrebljavati silu.



Oprema - u opsegu isporuke nije sadržana, preporučena dopuna iz promograma opreme.



Električne alate ne odlažite u kućne otpatke! Prema Europskoj direktivi 2002/96/EC o starim električnim i elektroničkim strojevima i preuzimanju u nacionalno pravo moraju se istrošeni električni alati sakupljati odvojeno i odvesti u pogon za reciklažu.



Električni alat zaštitne kategorije II Električni alat, čija zaštita od jednog električnog udara ne zavisi samo od osnovne izolacije, već i od toga, da se primijene dodatne zaštitne mjere, kao što su dvostruka izolacija ili pojačana izolacija. Ne postoji nikakva naprava za priključak nekog zaštitnog voda.



Oznaka-CE

TEHNISKIE DATI Rokas ripzāģis	KS 66-2
Izlaides numurs	4466 76 01 000001-999999
Nominālā atdotā jauda	1600 W
Apgriezieni tukšgaitā	5800 min ⁻¹
Zāģa ripas ārējais diametrs x iekšējais diametrs	190 x 30 mm
Zāģa plātnes biezums	2,2 mm
Maksimālais griezumta dziļums, esot 0° / 45° / 56°	63 / 47 / 36 mm
Svars atbilstoši EPTA - Procedure 01/2003	4,8 kg
Trokšņu un vibrāciju informācija Vērtības, kas noteiktas saskaņā ar EN 60745. A novērtētās aparātūras skaņas līmenis ir: trokšņa spiediena līmenis (K=3dB(A)) trokšņa jaudas līmenis (K=3dB(A)) Nēsāt trokšņa slāpētāju!	92,5 dB(A) 103,5 dB(A)
Svārstību kopējā vērtība (Trīs virzienu vektoru summa) tiek noteikta atbilstoši EN 60745. Koka zāģis svārstību emisijas vērtība a _{h,w} Nedrošība K=	4,5 m/s ² 1,5 m/s ²



UZMANĪBU

Instrukcijā norādītā svārstību robežvērtība ir izmērīta mērījumu procesā, kas veikts atbilstoši standartam EN 60745, un to var izmantot elektroinstrumentu savstarpējai salīdzināšanai. Tā ir piemērota arī svārstību noslogojuma pagaidu izvērtēšanai.

Norādītā svārstību robežvērtība ir reprezentatīva elektroinstrumenta pamata pielietojuma jomām. Tomēr, ja elektroinstrumenti tiek pielietoti citās jomās, papildus izmantojot neatbilstošus elektroinstrumentus vai pēc nepietiekamas tehniskās apkopes, tad svārstību robežvērtība var atšķirties. Tas var ievērojami palielināt svārstību noslogojumu visa darba laikā.

Precīzai svārstību noslogojuma noteikšanai, ir jāņem vērā arī laiks, kad ierīces ir izslēgta vai arī ir ieslēgta, tomēr faktiski netiek lietota. Tas var ievērojami samazināt svārstību noslogojumu visa darba laikā.

Integrējiet papildus drošības pasākumus pret svārstību ietekmi lietotājam, piemēram: elektroinstrumentu un darba instrumentu tehniskā apkope, roku siltuma uzturēšana, darba procesu organizācija.

UZMANĪBU! Izlasiet visu drošības instrukciju un lietošanas pamācību klāt.

Šeit sniegto drošības noteikumu un norādījumu neievērošana var izraisīt aizdegšanos un būt par cēloni elektriskajam triecienam vai nopietnam savainojumam.

Pēc izlasīšanas uzglabājiet šos noteikumus turpmākai izmantošanai.

DROŠĪBAS INSTRUKCIJAS ROKAS RIPZĀĢIS

Zāģēšanas process

 **BĪSTAMI! Neturiet rokas zāģa asmens tuvumā vai uz tā. Ar otru roku turiet instrumentu aiz papildroktura vai elektrodzīņja korpusa.** Turot ripzāģi ar abām rokām, rotējošais asmens tās nevar savainot.

Neturiet rokas zem zāģjamā priekšmeta. Asmens aizsargs nevar pasargāt jūsu rokas no savainojumiem, ja tās atrodas zem zāģjamā priekšmeta.

Izvēlieties zāģēšanas dziļumu, kas atbilst zāģjamā priekšmeta biezumam. Zāģēšanas dziļumam jābūt tik liels, lai zem zāģjamā priekšmeta redzamās asmens daļas augstums būtu mazāks par asmens zobu augstumu.

Nekad neturiet zāģjamo priekšmetu, stingri saspiepot

rokā vai atbalstot ar kāju. Novietojiet zāģjamo priekšmetu uz stabila pamata. Ir svarīgi, lai zāģjamais priekšmets būtu labi nostiprināts, jo tas palīdz izvairīties no iermeoša saskaršanās ar zāģa asmeni, zāģa asmens iestrēgšanas zāģjumā, kā arī no kontroles zaudēšanas pār zāģēšanas procesu.

Ja darbinstruments var skart slēptu elektropārvades līniju vai instrumenta elektrokabeli, darba laikā turiet elektroinstrumentu aiz izolētajiem rokturiem, nepieskaroties metāla daļām. Darbinstrumentam skarot spriegumnesošu elektrotīkla vadu, spriegums nonāk arī uz elektroinstrumenta metāla daļām un var būt par cēloni elektriskajam triecienam.

Veicot zāģēšanu gareniskā virzienā, vienmēr izmantojiet paralēlo vadotni vai vadiet instrumentu gar taisnu malu. Ģādi uzlabojas zāģējuma precizitāte un samazinās asmens iestrēgšanas iespēja zāģjumā.

Vienmēr lietojiet pareiza izmēra zāģa asmeni, ar piemērotas formas centrālo atvēršumu (zvaigznes veida vai apaļu). Zāģa asmei, kas neatbilst zāģa stiprinošo elementu formai, necentrējās uz darbvirspas un var novest pie kontroles zaudēšanas pār zāģēšanas procesu.

Nelietojiet bojātas vai neatbilstošas konstrukcijas asmens piespiedcīplāksnes vai stiprinošās skrūves. Asmens piespiedcīplāksnes un stiprinošās skrūves ir izstrādātas

īpaši jūsu zāim, lai panāktu optimālu jaudas atdevi un augstu darba drošību. Atsitiens cēlois un tā novēršana: - atsitiens ir iestrēguma, iespiesta vai nepareizi orientēta zāia asmens pķkōda reakcija, kuras rezultātā zāiis var tikt nekontrolējami mests augdūp un pārvietoties prom no zāiċjamā priekōmeta; - ja zāia asmens pķkōdi iestrēgst vai tiek iespiests zāiċjumā, dzinċja spēks izraisa instrumenta pārvietošanas lietotāja virzienā;

- ja zāia asmens zāiċjumā tiek pagriezts vai nepareizi orientēts, zāia asmens aizmugurċjā malā izvietotie zobi var aiziērties aiz zāiċjamā priekōmeta virsmas, kā rezultātā asmens var tikt izsviests no zāiċjuma, liekot zāim pārvietoties lietotāja virzienā. **Atsitiens ir zāia kiūdaines vai nepareizas lietošanas sekas. No tā var izvairīties, veicot zināmus piesardzības pasākumus, kas aprakstīti turpmākajā izklāstā. Stingri turiet zāii ar abām rokām, novietojot rokas tādā stāvoklī, lai varētu pretoties reaktīvajam spēkam, kas rodas atsitiens brīdī. Vienmēr stāviet sādus no zāia asmens, nepieļaujot, lai asmens plakne atrastos uz vienas taisnes ar kādu no iermeōa daīām.** Atsitiens brīdī zāiis var pārvietoties atpakaīvirzienā, tomēr lietotājs spēj veiksmīgi tikt galā ar reaktīvo spēku, veicot zināmus piesardzības pasākumus.

Ja zāia asmens tiek iespiests zāiċjumā vai zāiċšana tiek pārtraukta kāda cita iemesla dēċ, atlaidiet instrumenta ieslēdzċju un mierīgi turiet zāii, līdz tas pilnīgi apstājas. Nekad nemċiniē izdēmt zāia asmeni no zāiċjuma vai vilkt instrumentu atpakaīvirzienā laikā, kamēr asmens atrodas kustībā, jo tas var izsaukt atsitienu. Atrodiet asmens iespiešanas cēloni, un to novērsiet, veicot atbilstošus pasākumus. Ja vċlaties iedarbināt zāii, kura asmens atrodas zāiċjumā, iecentrēċiet asmeni attiecībā pret zāiċjumu un pārliecinieties, ka tā zobi nav ieīċruēies zāiċjamajā priekōmetā. Ja zāia asmens ir iespiests vai ieīċries, izvelēiet to no zāiċjuma, pretċjā gadījumā zāia iedarbināšanas brīdī var notikt atsitiens.

Ja tiek zāiċtas liela izmēra plāksnes, atbalstiet tās, dādi samazinot atsitiens risku, asmenim tiekot iespiestam zāiċjumā. Liela izmēra plāksnes zāiċšanas laikā var izliekties sava svara iespaidā. Tāpċc plāksnċm jābūt atbalstītām abās pusēs zāiċjumam, kā arī malas tuvumā.

Neizmantoċiet neasus vai bojātus zāia asmeōus. Zāia asmeōi ar neasiem vai nepareizi izliektiem zobiem veido dāuru zāiċjumu, kas rada pastiprinātu berzi, var izsaukt zāia asmens iespiešanu zāiċjumā un izraisīt atsitienu.

Pirms zāiċšanas stingri pieskrūvēċiet stipriņoēās skrūves, ar kurām tiek fiksēts zāiċšanas dziūms un leōiis. Ja zāiċšanas laikā patvaīģi izmainās zāia iestādījumi, tas var izsaukt asmens iespiešanu zāiċjumā un izraisīt atsitienu. Ievēroċiet īpašu piesardzību, veicot zāiċšanu ar asmens „iegremdēšanu“ skatienam slēptās vietās, piemēram, sienu tuvumā. Iegremdētais asmens zāiċšanas laikā var iestrēgt slēptajā objektā, izraisot atsitienu.

Apakšējā aizsargpārsega darbība

Ik reizi pirms zāia lietošanas pārbaudiet, vai apakšējais asmens aizsargs netraucēti aizveras. Nelietojiet zāii, ja apakšējā aizsarga pārvietošanās ir traucēta un tas neaizveras pilnīgi un uzreiz. Nekādā gadījumā nemċiniē piesiet vai citādi nostiprināt aizsargu atvērtā stāvoklī. Ja zāiis nejauģi nokrīt uz grīdas, apakšējais aizsargs var saliekties. Ar sviras palīdzību atveriet aizsargu un pārliecinieties, ka tas brīvi pārvietojas, neskarot zāia asmeni vai citas daīas pie jebkura zāiċšanas leōia un dziūma. Pārbaudiet, vai funkcionē apakšējā aizsarga atspere. Ja apakšējais aizsargs un/vai tā atspere funkcionē ar traucējumiem, pirms instrumenta lietošanas veiciet tā tehnisko apkalpošanu. Aizsarga pārvietošanas

var traucēt bojātas daīas, gultōos sacietējusi smērvielā vai skaidu uzkrāšanās.

Atveriet apakšējo aizsargu ar roku vienģigi īpašu darba operāċiju laikā, piemēram, veicot zāiċšanu ar asmens „iegremdēšanu vai veidojot slīpos zāiċjumus“. Dādā gadījumā ar sviras palīdzību atveriet aizsargu un tad atlaidiet sviru, līdzko zāia asmens iegrimst zāiċjamajā priekōmetā. Jebkuras citas zāiċšanas operāċijas laikā apakšējam aizsargam jāatveras un jāaizveras automātiski.

Novietojiet zāii uz darbgalda vai uz grīdas, ja apakšējais aizsargs nenosedz zāia asmeni. Nenosedz asmens, kas spē instrumenta izslēģšanas turpina griezties, pārvieto zāii pretģji zāiċšanas virzienam, pārzāiċjot visu, kas gadās ceīā. Izslēģdot instrumentu, dēmiēt vċrā zāia asmens izskrēģiena laiku.

CITAS DROŠĪBAS UN DARBA INSTRUKCIJAS

Nēsāċiet ausu aizsargus. Trokšņa iedarbība var izraisīt dzirdes zudumu.

Strādājot ar mašīnu, vienmēr jānēsā aizsargbrilles. Tiek ieteikts nēsāt arī aizsargcimdus, slēģtus, neslidošus apavus un priekšautu.

Putekļģ, kas rodas strādājot, bieģi ir kaitģgi veselģbai, un tiem nevajadzģtu nokģģt ķermenģ. Vajag izmantot putekģusģcģju un bez tam nēsāt masku, kas pasargā no putekģiem. Nosēdušos putekģus vajag aizvākt, piem. nosģknģt.

Zāģu rģpas, kas neatbilst šģni lietošanas pamāģģbā minģtajiem datģiem, nedrģkst izmantot.

Nedrģkst lietot slģpģpas!

Rokas darbģbas laikā slēģzi nedrģkst fģksģt.

DARBA NORĀDĪJUMI

Lai novērstu zāģa rģpas zobu pārkāršanu, izmantoģiet piemģrotu padeves ātrumu.

TĪKLA PIESLĒGUMS

Pieslēģt tikai vienpola maiņstrāvas tģklam un tikai spriegumam, kas norādģts uz jaudas paneģa. Pieslēģgums iespģjams arī kontaktģģgdām bez aizsargkontaktģiem, jo runa ir par uzbģvi, kas atbilst II. aizsargģklaseģ.

Kontaktģģgdām, kas atrodas ārpus telpām jābģt aprģkotām ar automātģskģiem drošinātāģslēģdzģem, kas nostrādā, ja strāvas plģsmā radģšģies (FI, RCD, PRCD) bojāģjumi. To pieprasa jģsu elektroiekārtas instalāģģcijas noteikumi. Lģdzģ, to ņēmt vārā, izmantoģot mģsu instrumentus.

Mašģnu pievienot kontaktģģgdai tikai izslēģtā stāvokģģ.

Sakarā ar to, ka var izraisģt īsslēģdzienu, dzesģšanas atverģs nedrģkst iekģģģt nekādi metāģa priekšģmetģ.

Pģvienojuma kabelģ vienmēr turģt atstatus no mašģnas darbģbas lauka. Kabelģm vienmēr jāatrodas aiz mašģnas.

Pirms katras Instrumenta lietošanas pārbaudģt, vai nav bojģts pievienojuma kabelģs, pagarinģjuma kabelģs un kontaktdakģša. Bojģtās detaģas drģkst remontģt tikai speciāģģsti.

Elektrģbas kģpumi izraisa spģieguma svārstģbas un var ietekmģt citas elektroierģces tajā pašā elektrģbas slēģģmā. Lai mazinģtu spģieguma svārstģbas, pievienojģt izstrādģjumu strāvas padeģvei, kuras pretestģba ir vienģda ar 0.368 Ω.

Sazinģties ar savu elektroenerģģjas piegādātģģju, lai saģņemtu plašģģku informāģģģju.



Lat

NOTEIKUMIEM ATBILSTOŠS IZMANTOJUMS

Rokas ripzāģis ir izmantojams taisnu zāģējumu veikšanai kokā.

ATBILSTĪBA CE NORMĀM

Mēs apliecinām, ka produkts, kura tehniskie parametri aprakstīti „tehnisko datu lapā”, pilnībā atbilst prasībām saskaņā ar direktīvām 2011/65/EU (RoHS), 2004/108/EK, 2006/42/EK un attiecīgajiem harmonizētajiem normatīvajiem dokumentiem:

EN 60745-1:2009 + A11:2010

EN 60745-2-5:2010

EN 55014-1:2006 + A1:2009 + A2:2011

EN 55014-2:1997 + A1:2001 + A2:2008

EN 61000-3-2:2006 + A1:2009 + A2:2009

EN 61000-3-11:2000



Winnenden, 2014-03-03

Alexander Krug / Managing Director
Pilnvarotais tehniskās dokumentācijas sastādīšanā.

Techtronic Industries GmbH
Max-Eyth-Straße 10, 71364 Winnenden, Germany

APKOPE

Pirms jebkādiem darbiem, kas attiecas uz mašīnas apkopi, mašīnu noteikti vajag atvienot no kontaktligzdas.

Pirms zāģa asmens pievienošanas vai noņemšanas noteikti atslēdziet instrumentu no strāvas padeves.

Iekārtu un aizsardzības aprīkojumu jātīra ar tīru un sausu lupatīņu. Atsevišķi tīrīšanas līdzekļi var sabojāt plastmasas un citas izolējošās detaļas.

Vajag vienmēr uzmanīt, lai būtu tīras dzesēšanas atveres.

Regulāri notīriet putekļus. Lai novērstu ugunsbīstamību, iztīriet zāģa iekšpusē sakrājušās zāģskaidas.

Vienmēr rūpējieties, lai iekārta būtu sausa un tīra, kā arī lai uz tās nebūtu iztecējušās smērvielas paliekas.

Pārbaudiet, vai aizsargaprīkojums darbojas pareizi.

Regulāra iekārtas apkope un tīrīšana nodrošina tās ilgmūžību un drošu ekspluatāciju.

Ja elektroinstrumenta savienojuma kabelis ir bojāts, tas jānomaina pret speciāli sagatavotu kabeli, ko var iegādāties klientu apkalpošanas centrā.

Izmantojiet tikai firmu AEG piederumus un firmas rezerves daļas. Lieciet nomainīt detaļas, kuru nomainīšana nav aprakstīta, kādā no firmu AEG klientu apkalpošanas servisiem. (Skat. brošūru „Garantija/klientu apkalpošanas serviss“.)

Pēc pieprasījuma, Jūsu Klientu apkalpošanas centrā vai pie Techno-tronic Industries GmbH, Max-Eyth-Straße 10, 71364 Winnenden, Vācijā, ir iespējams saņemt iekārtas montāžas rasējumu, iepriekš norādot iekārtas modeli un sērijas numuru, kas atrodas uz datu plāksnītes un sastāv no sešiem simboliem.

SIMBOLI



UZMANĪBU! BĪSTAMI!



Pirms sākt lietot instrumentu, lūdzu, izlasiet lietošanas pamācību.



Strādājot ar mašīnu, vienmēr jānēsā aizsargbrilles.



Nēsāt trokšņa slāpētāju!



Jānēsā piemērota maska, kas pasargā no putekļiem.



Jāvalkā aizsargcimdi!



Pirms jebkādiem darbiem, kas attiecas uz mašīnas apkopi, mašīnu noteikti vajag atvienot no kontaktligzdas.



Nepielietot spēku



Piederumi - standartaprīkojumā neietvertās, bet ieteicamās papildus komplektācijas detaļas no piederumu programmas.



Neizmetiet elektroiekārtas sadzīves atkritumos! Saskaņā ar Eiropas Direktīvu 2002/96/EK par lietotajam lektroiekārtam, elektronikas iekārtam un tas iekļaušanu valsts likumdošana lietotas elektroiekārtas ir jāsavāc atsevišķi un jānogada otrreizējai pārstrādei videi draudzīga veida.



II aizsardzības klases elektroinstrumenti Elektroinstrumenti, kuram aizsardzība pret elektrisko triecienu ir atkarīga ne tikai no pamata izolācijas, bet arī no tā, ka tiek piemēroti papildu aizsardzības pasākumi, piemēram, dubultā izolācija vai pastiprināta izolācija. Aizsarga pieslēgšanai instrumenti nav paredzēti.



CE marķējums



Lat

TECHNINIAI DUOMENYS Rankiniu diskiniu pjūkle	KS 66-2
Produkto numeris	4466 76 01 000001-999999
Vardinė imamoji galia	1600 W
Sūkių skaičius laisva eiga	5800 min ⁻¹
Pjovimo disko \varnothing x gręžinio \varnothing	190 x 30 mm
Pjovimo disko storis	2,2 mm
Maks. pjūvio gylis, esant 0° / 45° / 56°	63 / 47 / 36 mm
Prietaiso svoris įvertintas pagal EPTA 2003/01 tyrimų metodiką.	4,8 kg
Informacija apie triukšmą/vibraciją Vertės matuotos pagal EN 60745. Įvertintas A įrenginio keliamo triukšmo lygis dažniausiai sudaro:	
Garso slėgio lygis (K=3dB(A)) Garso galios lygis (K=3dB(A))	92,5 dB(A) 103,5 dB(A)
Nešioti klausos apsaugines priemones!	
Bendroji svyravimų reikšmė (trijų krypčių vektorių suma), nustatyta remiantis EN 60745. Medienos pjovimas Vibravimų emisijos reikšmė $a_{h,w}$ Paklaida K=	4,5 m/s ² 1,5 m/s ²



DĖMESIO

Instrukcijoje nurodyta svyravimų ribinė vertė yra išmatuota remiantis standartu EN 60745; ji gali būti naudojama keliems elektriniams instrumentams palyginti. Ji taikoma ir laikinai įvertinti svyravimų apkrovą.

Nurodyta svyravimų ribinė vertė yra taikoma pagrindinėse elektrinio instrumento naudojimo srityse. Svyravimų ribinė vertė gali skirtis naudojant elektrinį instrumentą kitose srityse, papildomai naudojant netinkamus elektrinius instrumentus arba juos nepakankamai techniškai prižiūrint. Dėl to viso darbo metu gali žymiai padidėti svyravimų apkrova.

Siekiant tiksliai nustatyti svyravimų apkrovą, būtina atsižvelgti ir į laikotarpį, kai įrenginys yra išjungtas arba įjungtas, tačiau faktiškai nenaudojamas. Dėl to viso darbo metu gali žymiai sumažėti svyravimų apkrova.

Siekiant apsaugoti vartotojus nuo svyravimo įtakos naudojamos papildomos saugos priemonės, pavyzdžiui, elektrinių darbo instrumentų techninė priežiūra, rankų šilumos palaikymas, darbo procesų organizavimas.

DĖMESIO! Perskaitykite visas saugumo pastabas ir nurodymus.

Jei nepaisysite žemiau pateiktų saugos nuorodų ir reikalavimų, gali trenkti elektros smūgis, kilti gaisras ir/arba galite sunkiai susižaloti arba sužaloti kitus asmenis.

Išsaugokite šias saugos nuorodas ir reikalavimus, kad ir ateityje galėtumėte jais pasinaudoti.

SAUGOS INSTRUKCIJOS RANKINIUI DISKINIUI PJŪKLU

Pjovimo eiga

PAVOJUS: Nekiškite rankø prie pjūvio vietos ir prie pjūklo disko. Antrąją ranką laikykite priekinė rankeną arba variklio korpusą. Jei abiem rankom laikysite pjūklą, pjūklo diskas jø negalės supeisti.

Nekiškite rankø po apdirbamu ruoðiniu. Apsauginis gaubtas neapsaugos jūso nuo ruoðinio apaëioje iðlindusio pjūklo disko.

Pjovimo gylá tinkamai nustatykite pagal ruoðinio storá. Ruoðinio apaëioje turi matytis ðiek tiek maþiau, nei per visá pjūklo danties aukðtá, iðlindusi disko dalis.

Pjaunamo ruoðinio niekada nelaikykite rankose ar pasidëjæ ant kojos. Padëkite ruoðiná ant stabilaus pagrindo.

Labai svarbu ruoðiná tinkamai átvirtinti, kad iðvengtumëte kûno kontakto su disku, neupstrigtø pjūklo diskas ar neprarastumëte kontrolës.

Jei yra tikimybë, jog dirbant įrankis gali kliudyti paslëptá laidá, prietaisá laikykite tik už izoliuotø rankenø. Dël kontakto su laidininku, kuriuo teka el. srovë, prietaiso metalinëse dalyse gali atsirasti įtampa ir sukelti elektros smūgio pavojø.

Atlikdami iðilginá pjūvá, visada naudokite lygiagreèiá atramá arba kreipianèiá linijuotæ. Tuomet pjausite tiksliau ir sumaþinsite galimybæ pjūklui ástrigti.

Naudokite tik tinkamo dydþio diskus. Pjūklo disko skylë turi bûti reikiamo dydþio ir formos (pvz., þvaigþdës formos arba apskrita). Pjūklo diskai, kurie neatitinka pjūklo tvirtinimo detalio formos, sukasi ekscentriðkai, todël yra prarandama pjūvio kontrolë.

Niekada nenaudokite papeistø ar netinkamø pjūklo disko tarpinio poverþliø ir varptø. Pjūklo disko tarpinės poverþlës ir varptai buvo sukonstruoti specialiai jūso pjūklui, kad bûtø garantuoti optimalūs rezultatai ir saugus darbas.

ATATRANKOS PRIEPASTYS IR BŪDAI JOS IÐVENGTI:– Atatranka yra staigi pjūklo reakcija, atsirandanti tuomet, kai pjūklo diskas upkliúva, ástringa ar yra blogai nukreipiamas ruoðinyje, dël kurios prietaisas gali nekontroliuojamai iððokti ið ruoðinio;– jei pjūklas yra upspaudþiamas pjūvio vietoje, upkliúva arba upsiblokuoja, variklio jëga staiga sviedþia pjūklá atgal, link naudotojo;

- jei pjūklo diskas perkreipiamas ar neteisingai nukreipiamas pjūvio plydyje, galinės disko dalies dantys gali ásikabinti á ruoðinio pavirðiø, todėl pjūklo diskas „iðlipa“ ið pjūvio plyðio ir pjūklas staiga atðoka link naudotojo. **Atatranka yra netinkamo prietaiso naudojimo arba klaidingo valdymo rezultatas. Atitinkamos priemonës (pr. þemiau) leidþia jos iðvengti.** Pjūklà visada tvirtai suspauskite abiem rankom ir rankas laikykite tokioje padëtyje, kad galëtumëte áveikti atatrankos jëgas. **Atsitraukite á ðalà nuo pjūklo disko, kad Jūsø kūnas jokiù būdu nebūtø vienoje linijoje su pjūklo disku.** Dël atatrankos pjūklas gali atðokti atgal, bet naudotojas turi galimybæ suvaldyti atatrankos jëgas, jei imsis atitinkamø priemoniø.

Jeì pjūklo diskas uþstringa arba jei dël kokios nors prieþasties pjovimo procesas yra nutraukiamas, iðjunkite jungiklà ir pjūklø netraukite ið ruoðinio tol, kol pjūklø diskas visiðkai nesustos. Niekada nebandykite pjūklo disko iðtraukti ið ruoðinio ar pjūklà traukti atgal, kol pjūklø diskas dar sukasi, nes tai gali sàlygoti atatrankà. Suraskite pjūklo disko strigimo prieþastà ir imkitës priemoniø jai paðalinti. Jei norite vël ájungti ruoðinyje paliktà pjūklà, centruokite pjūklo diskà pjūvio plydyje ir patikrinkite, ar pjūklo dantys nëra ásikabinæ á ruoðinà. Jei pjūklø diskas stringa, vël ájungus pjūklà, jis gali iððokti ið ruoðinio arba gali ávykti atatranka.

Pjaudami dideles plokðtes, jas paremkite ið apaèios. Taip sumaþinsite pjūklo disko strigimo ir atatrankos rizikà. Didelës plokðtës dël savo svorio iðlinksta. Plokðtes reikia atremti abiejose pusëse, t.y., ðalia pjūvio linijos ir ðalia plokðtës kraðto.

Nenaudokite atðipusiø ar papeistø pjūklo diskø. Neaðtrûs ar blogai sureguliuoti pjūklo dantys palieka siauresnà pjovimo takà, todėl atsiranda per didelë trintis, atatranka, stringa pjūklo diskas.

Prieð pjaunant būtina tvirtai ir patikimai uþverþti svirtelës, kuriomis reguliuojamas pjovimo gylis ir pjūklo disko posvirio kampas. Jei pjaunant keièiasi pjūklo disko padëtis, pjūklo diskas gali ástrigti ir atsirasti atatranka. Darydami ápjovas sienose ar kituose nepermatomuose pavirðiuose, pvz., sienose, elkitës ypaè atsargiai. Ásigilinantis pjūklo diskas pjaunant gali upkliùti uþ paslëptø objektø ir sukelti atatrankà.

Apatinio apsauginio gaubto veikimas

Prieð kiekvienà naudojimà patikrinkite, ar apatinis apsauginis gaubtas tinkamai uþsidaro. Nenaudokite pjūklo, jei apatinis apsauginis gaubtas negali laisvai judëti ir tuojau savaime neuþsidaro. Niekuomet nebandykite uþfiksuoti apatinio apsauginio gaubto atidarytoje padëtyje, kà nors ten ásprausdami ar já pririðdami. Jei pjūklas netyèia nukristø ant kieto pagrindo, gali sulinkti apatinis apsauginis gaubtas. Naudodami atidarymo rankenëlæ atidarykite já ir ásitikinkite, kad jis juda laisvai ir nelieèia nei pjūklo disko, nei kurios nors kitos dalies, pakreipiant pjūklo diskà ávairiais kampais ir nustatant ávairø pjovimo gylà. Patikrinkite, ar tinkamai veikia apatinio apsauginio gaubto spyruoklë. Jei apatinis apsauginis gaubtas ir spyruoklë veikia netinkamai, prieð naudojimà jiems reikia atlikti techninæ profilaktikà. Dël papeistø daliø, lipniø nuosëdø arba susikaupusiø droþliø apatinis gaubtas gali sunkiau judëti.

Apatinà apsauginà gaubtà rankiniu būdu atidaryti galima tik atliekant specialius pjūvius, pvz., panardinant pjūklà ruoðinio viduryje ar pjaunant pavertus pjūklo diskà kampu. Apatinà apsauginà gaubtà pakelkite rankenële, ir, kai tik pjūklø diskas sulàs á ruoðinà, paleiskite apatinà apsauginà gaubtà. Atliekant kitus pjovimo darbus, apatinis apsauginis gaubtas turi atsidaryti ir uþsidaryti savaime.

Prieð padëdami pjūklà ant darbatalio ar ant grindø visada ásitikinkite, kad apatinis apsauginis gaubtas uþdengë pjūklo diskà. Jei apsauginis gaubtas neuþsidaro, ið inercijos besisukantis pjūklo diskas stumia pjūklà atgal ir pjauna viskà, kas pasitaiko jo kelyje. Atminkite, kad, atleidus jungiklà, pjūklo diskas visiðkai sustoja tik po kurio laiko.

KITI SAUGUMO IR DARBO NURODYMAI

Neþiokite klausos apsaugos priemonës. Dël didelio triukðmo poveikio gali būti paþeidþiama klausà.

Dirbdami su įrenginiu visada neþiokite apsauginius akinius. Rekomenduotina neþioti apsaugines pirštines, tvirtus batus neslidþiu padu bei prijuostę.

Darbo metu kylanèios dulkës dažnai kenkia sveikatai, todėl turëtų nepatekti į organizmà. Naudokite dulkių nusiurbimà, papildomai neþiokite tinkamà apsaugos nuo dulkių kaukë. Kruopščiai paðalinkite, pvz. nusiurbkite, nusëdusias dulkes.

Draudþiama naudoti pjovimo diskus, kurie neatitinka ðioje naudojimo instrukcijoje nurodytų žyminių duomenų.

Nedëkite šlifavimo diskų!

Valdant ranka, neuþfiksuokite įjungiklio/iðjungiklio.

DARBO NUORODOS

Dël suderinto tiekimo greièio išvengsite pjovimo disko dantukų perkaitinimo.

ELEKTROS TINKLO JUNGTIS

Jungti tik prie vienfazës kintamos elektros srovës ir tik į specifikacijų lentelėje nurodytos įtampos elektros tinklą. Konstrukcijos saugos klasë II, todėl galima jungti ir į lizdus be apsauginio kontakto.

Lauke esantys el. lizdai turi būti su gedimo srovës išjungikliais. Tai nurodyta Jūsų elektros įrenginio instaliacijos taisyklëse (FI, RCD, PRCD). Atsižvelkite į tai, naudodami prietaisà.

Kištukà į lizdà įstatykite, tik kai įrenginys išjungtas.

Saugokite, kad metalinës dalys nepatektų į vëdinimo angas – trumpojo jungimo pavojus.

Maitinimo kabelis turi nebūti įrenginio poveikio srityje. Kabelį visada nuveskite iš galinės įrenginio pusës.

Kiekvienà kartà prieš naudojimą patikrinkite, ar ant prietaiso, maitinimo kabelio, prailginimo kabelio ir kištuko nematyti paþeidimų ar senëjimo požymių. Sugedusias dalis leiskite taisyti tik specialistams.

Dël srovës pertrūkio įtampa pradeda svyruoti bei gali turëti įtakos kitiems prie tos paèios energijos grandinës prijungtiems elektros prietaisams. Kad sumaþintumëte įtampos svyravimus, gaminįjunkite į maitinimo tinklą, kurio tariamoji varža yra 0.368 Ω.

Dël išsamesnës informacijos kreipkitës į elektros energijos tiekëjà.

NAUDOJIMAS PAGAL PASKIRTĮ

Rankiniu diskiniu pjūklø galima tiesiai pjauti medienà.



Liet

CE ATITIKTIES PAREIŠKIMAS

Remiantis bendrais atsakomybės reikalavimais pareiškiam, jog skyriuje „Techniniai duomenys“ aprašytas produktas atitinka visus toliau pateiktų juridinių direktyvų reikalavimus: 2011/65/EU (RoHS), 2004/108/EB, 2006/42/EB ir kitus su jomis susijusius norminius dokumentus:

EN 60745-1:2009 + A11:2010

EN 60745-2-5:2010

EN 55014-1:2006 + A1:2009 + A2:2011

EN 55014-2:1997 + A1:2001 + A2:2008

EN 61000-3-2:2006 + A1:2009 + A2:2009

EN 61000-3-11:2000



Winnenden, 2014-03-03

Alexander Krug / Managing Director
Įgaliotas parengti techninius dokumentus.

Techtronic Industries GmbH
Max-Eyth-Straße 10, 71364 Winnenden, Germany

TECHNINIS APTARNAVIMAS

Prieš atlikdami bet kokius įrenginyje, ištraukite iš lizdo kištuką.

Prieš montuodami ar nuimdami pjūklą geležtę, įrankį nuo elektros maitinimo šaltinio būtinai atjunkite.

Sausu skudurėliu nuvalykite prietaisą ir apsauginį įrenginį. Kai kurios valymo priemonės gali pažeisti plastmasę arba kitas izoliuotas detales.

Įrenginio vėdinimo angos visada turi būti švarios.

Būtina reguliariai nuvalyti dulkes. Dėl priešgaisrinės saugos šalinkite pjūklą viduje susikaupusias medžio drožles.

Laikykite prietaisą švarų ir sausą, nuvalykite ištekėjusį tepalą ir alyvą.

Patikrinkite apsauginio gaubto veikimą.

Reguliari techninė priežiūra ir nuolatinis valymas užtikrins ilgą eksploatavimo laiką ir saugų naudojimą.

Jei elektrinio įrankio prijungimo laidas pažeistas, jį reikia pakeisti specialiu prijungimo laidu, kurį galite užsisakyti klientų aptarnavimo skyriuje.

Naudokite tik AEG priedus ir atsargines dalis. Dalis, kurių keitimas neaprašytas, leidžiama keisti tik AEG klientų aptarnavimo skyriams (žr. garantiją/klientų aptarnavimo skyrių adresus brošiūroje).

Esant poreikiui, nurodžius mašinos modelį ir šešiaženklį numerį, esantį ant specifikacijų lentelės, klientų aptarnavimo centre arba tiesiogiai „Techtronic Industries GmbH“, Max-Eyth-Str. 10, 71364 Winnenden, Vokietija, galite užsakyti išplėstinį prietaiso brėžinį.

SIMBOLIAI



DĖMESIO! ĮSPĖJIMAS! PAVOJUS!



Prieš pradėdami dirbti su prietaisu, atidžiai perskaitykite jo naudojimo instrukciją.



Dirbdami su įrenginiu visada nešiokite apsauginius akinius.



Nešioti klausos apsaugines priemones!



Dėvėti tinkamą apsauginę kaukę nuo dulkių.



Lietojiet aizsardzības cimdus!



Prieš atlikdami bet kokius įrenginyje, ištraukite iš lizdo kištuką.



Nenaudoti jėgos.



Priedas – neįeina į tiekimo komplektaciją, rekomenduojamas papildymas iš priedų asortimento.



Neišmeskite elektros įrengimu i buitinius šiukšlynus! Pagal ES Direktyva 2002/96/EB del naudotu irengimu, elektros irengimu ir ju itraukimo i valstybinius istatymus naudotus irengimus butina suringti atskirai ir nugabenti antriniu žaliavu perdirbimui aplinkai nekenksmingu budu.



II apsaugos klasės elektrinis įrankis Šio elektrinio įrankio apsauga nuo elektros smūgio priklauso ne tik nuo pagrindinės izoliacijos, bet ir nuo to, kaip naudojamos papildomos apsauginės priemonės, tokios kaip dviguba arba pagerinta izoliacija. Nėra jokio prietaiso apsauginio laido pajungimui.



CE ženklas

TEHNILISED ANDMED Käsikreissaagi	KS 66-2
Tootmisnumber	4466 76 01 000001-999999
Nimitarbimine	1600 W
Pöörlemiskiirus tühijooksul	5800 min ⁻¹
Saelehe ø x puuri ø	190 x 30 mm
Saelehe paksus	2,2 mm
Max löikesügavus korral 0° / 45° / 56°	63 / 47 / 36 mm
Kaal vastavalt EPTA-protseduurile 01/2003	4,8 kg
Müra/vibratsiooni andmed Mõõteväärtused on kindlaks tehtud vastavalt normile EN 60745. Seadme tüüpiline hinnanguline (müratase): Helirõhutase (K=3dB(A)) Helivõimsuse tase (K=3dB(A)) Kandke kaitseks kõrvaklappe!	92,5 dB(A) 103,5 dB(A)
Vibratsiooni koguväärtus (kolme suuna vektorsumma) mõõdetud EN 60745 järgi. Puidu saagimine Vibratsiooni emissiooni väärtus a _{n,W} Määramatus K=	4,5 m/s ² 1,5 m/s ²



TÄHELEPANU

Antud juhendis toodud vonketase on mõõdetud EN 60745 standardile vastava mõõtesüsteemiga ning seda võib kasutada erinevate elektriseadmete omavahelises võrdlemises. Antud näitaja sobib ka esmaseks vonkekoormuse hindamiseks.

Antud vonketase kehtib elektriseadme kasutamisel sihtotstarbeliselt. Kui elektriseadet kasutatakse muudel otstarvetel, muude tööriistadega või seda ei hooldata piisavalt võib vonketase siintoodust erineda. Eeltoodu võib vonketaset märkimisväärselt tõsta terves töökeskkonnas.

Vonketaseme täpseks hindamiseks tuleks arvestada ka aega, mil seade on välja lülitatud või on küll sisse lülitatud, kuid ei ole otseselt kasutuses. See võib märgatavalt vähendada kogu töökeskkonna vonketaset.

Rakendage spetsiaalseid ettevaatusabinõusid töötajate suhtes, kes puutuvad töö käigus palju kokku vibratsiooniga. Nendeks abinõudeks võivad olla, näiteks: elektri- ja tööseadmete korraline hooldus, käte soojendamine, töövoogu parem organiseerimine.


TÄHELEPANU! Lugege kõik ohutusnõuanded ja juhendid läbi.

Ohutusnõuete ja juhiste eiramise tagajärjeks võib olla elektrilöök, tulekahju ja/või rasked vigastused.

Hoidke kõik ohutusnõuanded ja juhised edasiseks kasutamiseks hoolikalt alles.

OHUTUSJUHISED KÄSIKREISSAAGI

Saagimismeetodid

 **OHUD:** Hoidke käed löikepiirkonnast ja saekettast eemal. Hoidke teise käega lisakäepidet või mootorikorpust. Kui hoiate ketassaagi mõlema käega, ei jää käed saeketta ette.

Ärge viige kätt tooriku alla. Tooriku all ei saa kettakaitse Teid saeketta eest kaitsta.

Kohandage löikesügavus tooriku paksusega. Saeketas võib tooriku alt vähem kui ühe täishamba võrra välja ulatuda.

Ärge kunagi hoidke saetavat toorikut käes või jalgade peal. Kinnitage toorik stabiilsele alusele. Tooriku korralik kinnitamine on oluline, et ohustada võimalikult vähe keha ning piirata saeketta kinniilumise ja tööriista kontrolli alt väljumise oht miinimumini.

Kui esineb oht, et seade võib tabada varjatud elektrijuhtmeid või omaenda toitejuhet, tohib seadet hoida üksnes isoleeritud käepidemetest. Kontakt pingele all oleva juhtmega pingestab ka seadme metallidetailid ja põhjustab elektrilöögi.

Pikisaagimisel kasutage alati paralleeljuhikut või juhtlauda. See suurendab löike täpsust ja vähendab saeketta kinniilumise ohtu.

Kasutage alati saekettaid, mille siseava suurus ja kuju on õiged (romb või ümar). Saekettad, mis ei sobi sae võlliga, pöörlevad ekstsentriliselt ja põhjustavad tööriista väljumise kasutaja kontrolli alt.

Ärge kunagi kasutage kahjustatud või mittesobivaid saeketta alusseibe või polte. Saeketta alusseibid ja poldid on konstrueeritud spetsiaalselt Teie sae jaoks, tagamaks selle optimaalset jõudlust ja tööohutust. Tagasilöögi põhjused ja vältimine:- tagasilöök on sae ootamatu vastureaktsioon, mis tekib, kui saeketas on kinniilunud, kõverdunud või selle liikumine on takistatud ning mille tagajärjel tõuseb saag kontrollimatult töödeldavast detailist välja ja „hüppab“ sae kasutaja poole;- kui sulgub löikejalg saeketta kinni kiilub või selle liikumist takistab, aeglustub saeketta pöörlemine ja mootori vastumõju tulemusel liigub saag kiiresti kasutaja poole;

- kui saeketas löikejäljes väändub või kõverdub, võivad saeketta tagumised hambad jääda puidu pealmisse kihti kinni, mille tagajärjel tuleb saeketas löikejäljest välja ja „hüppab“ tagasi sae kasutaja poole. **Tagasilöök on tööriista väärkasutamise ja/või valede töövõtete tagajärg. Seda saab vältida, võttes tarvitusele sobivad ettevaatusabinõud, mis on toodud allpool. Hoidke saagi tugevalt mõlema käega ja asetage käed selliselt, et suudaksite seista vastu tagasilöögiga kaasnevatele jõududele. Seiske nii, et Teie keha oleks saekettast paremal või vasakul, kuid mitte sellega ühel joonel.** Tagasilöögi mõjul võib saag hüpata tagasi, kuid kasutajal on võimalik tagasilöögiga kaasnevaid jõude kontrollida, võttes tarvitusele sobivad ettevaatusabinõud.

Saeketta kinniilandumisel või löikamise katkemisel mingil teisel põhjusel vabastage lüliti ja hoidke saagi toorikus liikumatult, kuni saeketas täielikult seiskub. Ärge kunagi püüdke saagi toorikust eemaldada või tagasi tõmmata, kui saeketas pöörleb või kui võib toimuda tagasilöök. Selgitage välja saeketta kinniilandumise põhjus ja võtke tarvitusele sobivad meetmed. Kui soovite tooriku sees olevat saagi uuesti käivitada, sättige saag löikejälje keskele ja kontrollige, et saehambad ei ole toorikusse haardunud. Kinniilandumine saeketas võib liikuda üles või tekitada tagasilöögi, kui saag uuesti käivitatakse.

Selleks, et piirata saeketta kinniilandumise ja tagasilöögi ohtu miinimumini, peab suured plaadid toestama. Suured plaadid kipuvad omaenda kaalu all painduma. Toestused tuleb paigutada plaadi alla mõlemale küljele, löikejälje lähedale ja plaadi serva äärde.

Ärge kasutage nürri või kahjustatud saeketast. Teritamata või valesti paigaldatud saekettast tekib kitsas löikejalg, mis põhjustab liigset hõõrdumist, saeketta kinniilandumist ja tagasilööki.

Enne löike tegemist peavad löikesügavuse ja -nurga reguleerimise lukustushoovad olema kindlalt kinnitatud. Kui saeketta seadistused saagimise ajal muutuvad, võib see põhjustada kinniilandumise ja tagasilöögi. Olge eriti tähelepanelik, kui teete uputuslöikeid seintes või muudes varjatud piirkondades. Esileulatav saeketas võib varjatud objektide löikamisel blokeeruda, mille tagajärjeks on tagasilööki.

Alumise kaitsekatte funktsioon

Iga kord enne kasutamist kontrollige, kas alumine kettakaitse sulgub korralikult. Ärge kasutage saagi, kui alumine kettakaitse ei liigu vabalt ega sulgu koheselt. Alumist kettakaitset ei tohi avatud asendis kinni kiiluda ega siduda. Kui saag kogemata maha kukub, võib alumine kettakaitse väänduda. Tõstke alumine kettakaitse tagasitõmmatavast käepidemest üles ning veenduge, et see liigub vabalt ja ei puuduta saekettast ega muid detaile mistahes löikenurkade ja -sügavuste juures. Kontrollige alumise kettakaitse vedru funktsioneerimist. Kui alumine kettakaitse ja vedru ei funktsioneerik korralikult, tuleb need enne kasutamist parandada lasta. Kahjustatud osade, kleepuvate sadestuste või saepuru kuhjumise tõttu võib alumise kettakaitse töö aeglustuda.

Alumist kettakaitset tuleks käsitsi tagasi tõmmata ainult erilõigete „nagu uputuslõigete ja nurklõigete tegemiseks“. Avage alumine kettakaitse tagasitõmmatava hoovaga ja vabastage see kohe, kui saeketas on toorikusse sisse tunginud. Kõikide teiste saagimistöde ajal peaks alumine kettakaitse toimima automaatselt.

Enne sae asetamist tööpingile või põrandale jälgige alati, et alumine kettakaitse saekettast katab. Kaitsmata, järelpöörlev saeketas põhjustab sae liikumise tagasi, lõigates kõike, mis teele jääb. Pöörake tähelepanu sae järelpöörlemise ajale.

EDASISED OHUTUS- JA TÖÖJUHISED

Kandke kaitseks kõrvaklappe. Müra toime võib põhjustada kuulmiskadu.

Masinaga töötades kandke alati kaitseprille. Soovitatavad on kaitsekindad, tugevad ja libisemiskindlad jalanõud ning põll.

Töötamisel tekkiv tolm on sageli tervistkahjustav ning ei tohiks organismi sattuda. Kasutage tolmu äraimemist ning kandke täiendavalt sobivat tolmukaitsemaski. Kogunenud tolm eemaldage põhjalikult, nt imemisega.

Saelehti, mis ei vasta käesoleva kasutamisujuhendi karakteristiku-tele, ei tohi kasutada.

Lihvimiskettaid ei tohi kasutada!

Käsitsi juhtides käitamisel ärge kiiluge sisse-välja lüliti kinni.

TÖÖJUHISED

Vältige sobitatud etteandekiirusega saeketta hammaste ülekuumenemist.

VÕRKU ÜHENDAMINE

Ühendage ainult ühefaasilise vahelduvvooluga ning ainult andmesildil toodud võrgupingega. Ühendada on võimalik ka kaitsekontaktita pistikupesadesse, kuna nende konstruktsioon vastab kaitseklassile II.

Välitingimustes asuvad pistikupesad peavad olema varustatud rikkevoolukaitselülititega (FI, RCD, PRCD). Seda nõutakse Teie elektriseadme installerimiseeskirjas. Palun pidage sellest meie seadme kasutamisel kinni.

Masin peab pistikupesasse ühendamisel olema alati väljalülitatud seisundis.

Lühiseohtu tõttu ei tohi õhutuspiiludesse sattuda metalloosi.

Hoidke ühendusjuhe alati masina tööpiirkonnast eemal. Vedage juhe alati masinast tahapoole.

Enne iga kasutamist kontrollige seadet, ühendusjuhtmeid, pikendusjuhtmeid ja pistikuid, et poleks kahjustusi ega materjali väsimist. Kahjustatud osi laske parandada ainult spetsialistil.

Voolutõuked põhjustavad pingekõikumisi ja võivad mõjutada samasse toiteahelasse ühendatud elektriseadmete tööd. Ühendage seade toitevõrku, mille näivtakistus on 0,368 Ω, et pingekõikumisi minimeerida.

Lisateabe saamiseks võtke ühendust oma elektritarbijaga.

KASUTAMINE VASTAVALT OTSTARBELE

Käsikreissaagi saab rakendada sirgjooneliste lõigete saagimiseks puitu.

EÜ VASTAVUSAVALDUS

Me deklareerime ainuisikuliselt vastutades, et lõigus „Tehnilised andmed“ kirjeldatud toode vastab direktiivide 2011/65/EU (RoHS), 2004/108/EÜ, 2006/42/EÜ kõigile olulisele tähtsusega eeskirjadele ning järgmistele harmoniseeritud normatiivsetele dokumentidele:
EN 60745-1:2009 + A11:2010
EN 60745-2-5:2010
EN 55014-1:2006 + A1:2009 + A2:2011
EN 55014-2:1997 + A1:2001 + A2:2008
EN 61000-3-2:2006 + A1:2009 + A2:2009
EN 61000-3-11:2000



Winnenden, 2014-03-03

Alexander Krug / Managing Director
On volitatud koostama tehnilist dokumentatsiooni.

Techtronic Industries GmbH
Max-Eyth-Straße 10, 71364 Winnenden, Germany

HOOLDUS

Enne kõiki töid masina kallal tõmmake pistik pistikupesast välja.
Enne saeketta kinnitamist või eemaldamist veenduge, et sae toide on lahti ühendatud.

Puhastage seadet ja kaitseadist kuiva lapiga. Osad puhastusvahendid kahjustavad plastmassi või muid isoleeritud detaile.

Hoidke masina õhutuspilud alati puhtad.

Eemaldage regulaarselt tolm. Tuleohtu vältimiseks eemaldage sae sisemusse kogunenud saepuru.

Hoidke seade puhas ja kuiv ning eemaldage väljatunginud õli ja määre.

Kontrollige kaitsekatte talitlust.

Regulaarne hooldus ja puhastamine tagavad pika eluea ning ohutu käsitlemise.

Kui elektritööriista ühendusjuhe on kahjustatud, siis tuleb see spetsiaalselt ettevalmistatud ühendusjuhtmega asendada, mis on saadaval klienditeenindusorganisatsiooni kaudu.

Kasutage ainult AEG tarvikuid ja tagavaraosi. Detailid, mille väljavahetamist pole kirjeldatud, laske välja vahetada AEG klienditeeninduspunktis (vaadake brošüüri garantii / klienditeeninduste aadressid).

Vajadusel saab nõuda seadme plahvatusjoonise võimsussildil oleva masinatüübi ja kuuekohalise numbrilise klienditeeninduspunkti või vahetult firmalt Techtronic Industries GmbH, Max-Eyth-Straße 10, 71364 Winnenden, Germany.

SÜMBOLID



ETTEVAATUST! TÄHELEPANU! OHUD!



Palun lugege enne käikulaskmist kasutusjuhend hoolikalt läbi.



Masinaga töötades kandke alati kaitseprille.



Kandke kaitseks kõrvaklappe!



Kanda sobivat kaitsemaski.



Kanda kaitsekindaid!



Enne kõiki töid masina kallal tõmmake pistik pistikupesast välja.



Ärge kasutage jõudu.



Tarvikud - ei kuulu tarne komplekti, soovitatav täiendus on saadaval tarvikute programmis.



Ärge käideldge kasutuskõlbmatuks muutunud elektrilisi tööriistu koos olmejäätmetega! Vastavalt Euroopa Parlamendi ja nõukogu direktiivile 2002/96/EÜ elektri- ja elektroonikaseadmete jäätmete kohta ning direktiivi nõuete kohaldamisele liikmesriikides tuleb asutuskõlbmatuks muutunud elektrilised tööriistad koguda eraldi ja keskkonnasäästlikult korduskasutada või ringlusse võtta.



Kaitseklassi II elektritööriist Elektritööriist, mille puhul ei sõltu kaitse mitte üksnes baasisolatsioonist, vaid ka täiendavate kaitsemeetmete nagu topeltisolatsiooni või tugevdatud isolatsiooni kohaldamisest. Mehhanism kaitsejuhi ühendamiseks puudub.



CE-märk



ТЕХНИЧЕСКИЕ ДАННЫЕ Циркулярная пила	KS 66-2
Серийный номер изделия	4466 76 01 000001-999999
Номинальная выходная мощность	1600 W
Число оборотов без нагрузки (об/мин)	5800 min ⁻¹
Диаметр диска пилы x диаметр отверстия	190 x 30 mm
Толщина пильного полотна	2,2 mm
Макс. глубина реза при 0° / 45° / 56°	63 / 47 / 36 mm
Вес согласно процедуре EPTA 01/2003	4,8 kg
Информация по шумам/вибрации Значения замерялись в соответствии со стандартом EN 60745. Уровень шума прибора, определенный по показателю A, обычно составляет: Уровень звукового давления (K=3dB(A)) Уровень звуковой мощности (K=3dB(A))	92,5 dB(A) 103,5 dB(A)
Пользуйтесь приспособлениями для защиты слуха. Общие значения вибрации (векторная сумма трех направлений) определены в соответствии с EN 60745. Пиление дерева Значение вибрационной эмиссии a _{h,w} Небезопасность K=	4,5 m/s ² 1,5 m/s ²



ВНИМАНИЕ

Указанный в настоящем руководстве уровень вибрации измерен в соответствии с технологией измерения, установленной стандартом EN 60745 и может использоваться для сравнения электроинструментов друг с другом. Он также подходит для предварительной оценки вибрационной нагрузки.

Указанный уровень вибрации представляет основные виды использования электроинструмента. Но если электроинструмент используется для других целей, используемый инструмент отклоняется от указанного или техническое обслуживание было недостаточным, то уровень вибрации может отклоняться от указанного. В этом случае вибрационная нагрузка в течение всего периода работы значительно увеличивается.

Для точной оценки вибрационной нагрузки необходимо также учитывать время, в течение которого прибор отключен или включен, но фактически не используется. В этом случае вибрационная нагрузка в течение всего периода работы может существенно уменьшиться.

Установите дополнительные меры безопасности для защиты пользователя от воздействия вибрации, например: техническое обслуживание электроинструмента и используемого инструмента, поддержание рук в теплом состоянии, организация рабочих процессов.

ВНИМАНИЕ! Ознакомьтесь со всеми указаниями по безопасности и инструкциями, в том числе с инструкциями.

Упущения, допущенные при соблюдении указаний и инструкций по технике безопасности, могут стать причиной электрического поражения, пожара и тяжелых травм.

Сохраняйте эти инструкции и указания для будущего использования.

УКАЗАНИЯ ПО БЕЗОПАСНОСТИ ДЛЯ ЦИРКУЛЯРНОЙ ПИЛЫ

Технология распиливания

ОПАСНОСТЬ: Держите Ваши руки в стороне от пропила и пильного полотна. Держите Вашей второй рукой пилу за дополнительную рукоятку или корпус мотора. Если Вы обеими руками держите дисковую пилу, то пильное полотно не может ранить Вам руки.

Не подхватывайте деталь. Защитный колпак не может защитить под деталью от пильного полотна.

Устанавливайте глубину реза в соответствии с толщиной детали. Под деталью пильное полотно не должно

высовываться более чем на один зуб.

Никогда не держите распиливаемую деталь в руке или над ногой. Деталь должна надежно лежать на прочной опоре. Важно хорошо закрепить деталь, чтобы сократить до минимума опасность контакта с телом, заклинивания пильного полотна или потери контроля.

Держите электроинструмент только за изолированные поверхности рукояток, если Вы выполняете работы, при которых рабочий инструмент может попасть на скрытую электропроводку или на собственный шнур подключения питания. Контакт с токоведущим проводом ставит под напряжение также металлические части электроинструмента и ведет к поражению электрическим током.

Используйте всегда при продольном резании упор или прямую направляющую кромку. Это улучшает точность реза и снижает возможность заклинивания пильного полотна. Всегда применяйте пильные полотна с правильными размерами и соответствующим отверстием крепления.

Никогда не применяйте поврежденные или неправильные подкладочные шайбы для пильных дисков или крепежные винты. Подкладочные шайбы

для пильных дисков и крепежные винты специально сконструированы для Вашей пилы, для оптимальной производительности и эксплуатационной безопасности.

Причины и предотвращение обратного удара: обратный удар это неожиданная реакция вследствие цепляющегося, заклинивающегося или неправильно выверенного пильного полотна, которая ведет к выходу неконтролируемой пилы из детали в направлении оператора. – если пильное полотно зацепится или заклинить в замыкающемся пропилах, то сила мотора выбивает прибор назад в направлении оператора.

– если пильное полотно будет перекошено или неправильно выверено в пропилах, то зубья задней кромки пилы могут врезаться в поверхность детали, что ведет к выходу пильного полотна из пропила и резкому выбросу пилы в направлении оператора. **Обратный удар является следствием неправильного или ошибочного использования пилы. Он может быть предотвращен соответствующими мерами предосторожности, описанными ниже. Держите пилу крепко обеими руками и расположите при этом руки так, чтобы Вы могли бы противостоять силам обратного удара. Стойте всегда в стороне от оси пильного полотна, не ведите никогда пильное полотно по оси Вашего тела.** При обратном ударе пила может выскочить назад, однако, оператор может противостоять силам обратного удара, если были приняты соответствующие меры.

При заклинивании пильного полотна или, если резание будет прервано по другой причине, отпустите выключатель и держите пилу спокойно в детали до полной остановки пильного полотна. Никогда не пытайтесь вынуть пильное полотно из детали, вывести его назад пока оно находится во вращении или если может возникнуть обратный удар. Найдите причину заклинивания пильного полотна и устраните ее соответствующими мерами. Если Вы хотите опять отцентрировать пильное полотно в пропилах и проверьте свободу зубьев полотна. Заклиненное пильное полотно может выйти из детали или вызвать обратный удар при повторном включении пилы.

Большие плиты должны лежать на опорах для уменьшения риска обратного удара при заклинивании пильного полотна. Большие плиты могут прогибаться под собственным весом. Плиты должны лежать на опорах с обеих сторон, как вблизи пропила, так и с края.

Не пользуйтесь тупыми или поврежденными пильными полотнами. Пильные полотна с тупыми или неправильно выверенными зубьями ведут в результате очень узкого пропила к повышенному трению, заклиниванию пильного полотна и обратному удару.

Перед распиливанием затяните крепко установочное устройство глубины реза и угла пропила. Если при распиливании настройка изменится, то пильное полотно может заклинить и возникнуть обратный удар. Будьте особенно осторожны при выполнении пропила «погружением» в скрытом диапазоне, например в готовой стене. Погружающееся пильное полотно может при пилении заблокироваться в скрытом объекте и вызвать обратный удар.

Функция нижнего защитного кожуха

Перед каждым включением проверяйте безупречное замыкание нижнего защитного колпака. Не пользуйтесь пилой, если движение нижнего защитного колпака ограничено и он не сразу закрывается. Никогда не заклинивайте и не завязывайте нижний защитный колпак в открытом положении. Если пила случайно упадет на

пол, то нижний защитный колпак может быть погнут. Откройте защитный колпак рычагом оттягивания и определите наличие свободы движения и отсутствия сопротивления с пильным полотном или другими частями при всех возможных углах пропила и глубины резания. Проверьте функцию пружины для нижнего защитного колпака. При неисправной функции нижнего защитного колпака и пружины сдайте электроинструмент на техническое обслуживание до начала работы. Поврежденные части, склеивающиеся отложения или скопления стружки являются причиной замедленного срабатывания нижнего защитного колпака.

Открывайте нижний защитный колпак вручную только при выполнении особых пропилов, например, пиление с погружением и распиловке под углом. Откройте защитный колпак оттягивающим рычагом и отпустите рычаг сразу как только пильное полотно войдет в деталь. При всех других работах нижний защитный колпак должен работать автоматически.

Не кладите пилу на верстак или на пол, не закрыв предварительно пильное полотно защитным колпаком. Незащищенное пильное полотно на выбеге двигает пилу против направления реза и распиливает все, что стоит на пути. Учитывайте при этом продолжительность выбега пилы.

ДОПОЛНИТЕЛЬНЫЕ УКАЗАНИЯ ПО БЕЗОПАСНОСТИ И РАБОТЕ

Используйте наушники! Воздействие шума может привести к потере слуха.

При работе с инструментом всегда надевайте защитные очки. Рекомендуются надевать перчатки, прочные нескользящие ботинки и фартук.

Пыль, образующаяся при работе с данным инструментом, может быть вредна для здоровья и попасть на тело. Пользуйтесь системой пылеудаления и надевайте подходящую защитную маску. Тщательно убирайте скапливающуюся пыль (напр. пылесосом).

Не применяйте диски, несоответствующих параметров, приведенным в настоящей инструкции по эксплуатации.

Не использовать шлифовальные круги!

Не фиксируйте выключатель в положении „On“ (Вкл.) когда работаете держа пилу в руках.

УКАЗАНИЯ ПО РАБОТЕ

Посредством адаптации скорости подачи избегайте перегрева зубцов пильного полотна.

ПОДКЛЮЧЕНИЕ К ЭЛЕКТРОСЕТИ

Подсоединять только к однофазной сети переменного тока с напряжением, соответствующим указанному на инструменте. Электроинструмент имеет второй класс защиты, что позволяет подключать его к розеткам электропитания без заземляющего вывода.

Электроприборы, используемые во многих различных местах, в том числе на открытом воздухе, должны подключаться через устройство, предотвращающее резкое повышение напряжения (FI, RCD, PRCD).

Вставляйте вилку в розетку только при выключенном инструменте.

Не приближайте металлические предметы к вентиляционным отверстиям из-за опасности короткого замыкания!

Держите силовой провод вне рабочей зоны инструмента. Всегда прокладывайте кабель за спиной.

Перед включением проверьте инструмент, кабель и вилку



на предмет повреждений или усталости материала. Ремонт может производиться только уполномоченными Сервисными Организациями.

Резкое увеличение нагрузки приводит к флуктуации напряжения, что может повлиять на работу других электроприборов, подключенных к данной линии питания. Подключите устройство к источнику питания с полным сопротивлением, равным 0.368 Ω, для минимизации колебаний напряжения.

За подробными разъяснениями обращайтесь к поставщику электроэнергии.

ИСПОЛЬЗОВАНИЕ

Эта электронная циркулярная пила может очень точно пилить дерево.

ДЕКЛАРАЦИЯ О СООТВЕТСТВИИ СТАНДАРТАМ ЕС

Мы заявляем под собственную ответственность, что изделие, описанное в разделе „Технические характеристики“, соответствует всем важным предписаниям Директивы 2011/65/EU (Директива об ограничении применения опасных веществ в электрических и электронных приборах), 2004/108/EC, 2006/42/EC и приведенным далее гармонизированным нормативным документам:

EN 60745-1:2009 + A11:2010

EN 60745-2-5:2010

EN 55014-1:2006 + A1:2009 + A2:2011

EN 55014-2:1997 + A1:2001 + A2:2008

EN 61000-3-2:2006 + A1:2009 + A2:2009

EN 61000-3-11:2000



Winnenden, 2014-03-03

Alexander Krug / Managing Director

Уполномочен на составление технической документации.

Techtronic Industries GmbH

Max-Eyth-Straße 10, 71364 Winnenden, Germany

ОБСЛУЖИВАНИЕ

Перед выполнением каких-либо работ по обслуживанию инструмента всегда вынимайте вилку из розетки.

Отключите инструмент от питающей сети перед установкой или снятием режущего полотна.

Очищать прибор и защитное устройство с помощью сухой салфетки. Некоторые чистящие средства могут повредить пластмассу или другие изолированные части.

Всегда держите охлаждающие отверстия чистыми.

Регулярно удаляйте пыль. Во избежание возгорания удаляйте скопившиеся внутри станка опилки.

Содержать прибор в чистоте и в сухом виде, а также следить, чтобы не выступала масло и смазка.

Проверить функционирование защитных кожухов.

Регулярное техобслуживание и очистка обеспечат продолжительный срок службы и безопасное обращение.

В случае повреждения соединительного провода

электрического инструмента необходимо заменить его специально подготовленным соединительным проводом, доступным через организацию по обслуживанию клиентов.

Пользуйтесь аксессуарами и запасными частями только фирмы AEG. В случае возникновения необходимости в замене, которая не была описана, пожалуйста, обращайтесь на один из сервисных центров (см. список наших гарантийных/сервисных организаций).

При необходимости, у сервисной службы или непосредственно у фирмы Techtronic Industries GmbH, Max-Eyth-Straße 10, 71364, Винненден, Германия, можно запросить сборочный чертеж устройства, сообщив его тип и шестизначный номер, указанный на фирменной табличке.

СИМВОЛЫ



ВНИМАНИЕ! ПРЕДУПРЕЖДЕНИЕ! ОПАСНОСТЬ!



Пожалуйста, внимательно прочтите инструкцию по использованию перед началом любых операций с инструментом.



При работе с инструментом всегда надевайте защитные очки.



Пользуйтесь приспособлениями для защиты слуха.



Надевайте противопылевой респиратор.



Надевать защитные перчатки!



Перед выполнением каких-либо работ по обслуживанию инструмента всегда вынимайте вилку из розетки.



Не применяйте силу



Принадлежности - В стандартную комплектацию не входит, поставляется в качестве дополнительной принадлежности.



Не выбрасывайте электроинструмент с бытовыми отходами! Согласно Европейской директиве 2002/96/EC по отходам от электрического и электронного оборудования и соответствующим нормам национального права вышедшие из употребления электроинструменты подлежат сбору отдельно для экологически безопасной утилизации.



Электроинструмент с классом защиты IP II Электроинструмент, в котором защита от электрического удара зависит не только от основной изоляции, но и от того, что принимаются дополнительные защитные меры, такие как двойная изоляция или усиленная изоляция. Нет устройства для подключения защитного провода.



Знак CE



Соответствие техническому регламенту



Національний знак відповідності України

TR 066

ТЕХНИЧЕСКИ ДАННИ Ръчен циркуляр	KS 66-2
Производствен номер	4466 76 01 000001-999999
Номинална консумирана мощност	1600 W
Обороти на празен ход	5800 min ⁻¹
∅ на режещия диск x ∅ на отвора	190 x 30 mm
Дебелина на режещия диск	2,2 mm
Максимална дълбочина на разрез при 0° / 45° / 56°	63 / 47 / 36 mm
Тегло съгласно процедурата EPTA 01/2003	4,8 kg
Информация за шума/вибрациите Измерените стойности са получени съобразно EN 60745. Оцененото с A ниво на шума на уреда е съответно: Ниво на звукова мощност (K=3dB(A)) Ниво на звукова мощност (K=3dB(A))	92,5 dB(A) 103,5 dB(A)
Да се носи предпазно средство за слуха!	
Общите стойности на вибрациите (векторна сума на три посоки) са определени в съответствие с EN 60745. Рязане на дърво Стойност на емисии на вибрациите a _{h,w} Несигурност K=	4,8 m/s ² 1,5 m/s ²



ВНИМАНИЕ

Посоченото в тези инструкции ниво на вибрациите е измерено в съответствие със стандартизиран в EN 60745 измервателен метод и може да се използва за сравнение на електрически инструменти помежду им. Подходящ е и за временна оценка на вибрационното натоварване.

Посоченото ниво на вибрациите представя основните приложения на електрическия инструмент. Ако обаче електрическият инструмент се използва с друго предназначение, с различни сменяеми инструменти или при недостатъчна техническа поддръжка, нивото на вибрациите може да е различно. Това чувствително може да увеличи вибрационното натоварване по време на целия работен цикъл.

За точната оценка на вибрационното натоварване трябва да се вземат предвид и периодите от време, в които уредът е изключен или работи, но в действителност не се използва. Това чувствително може да намали вибрационното натоварване по време на целия работен цикъл.

Определете допълнителни мерки по техника на безопасност в защита на обслужващия работник от въздействието на вибрациите като например: техническа поддръжка на електрическия инструмент и сменяемите инструменти, поддръжане на ръцете топли, организация на работния цикъл.

ВНИМАНИЕ! Прочетете указанията за безопасност и съветите.

Неспазването на приведените по-долу указания може да доведе до токов удар, пожар и/или тежки травми.

Съхранявайте тези указания на сигурно място.

ИНСТРУКЦИИ ЗА БЕЗОПАСНОСТ РЪЧЕН ЦИРКУЛЯР

Процес на рязане

 **ОПАСНОСТ:** Дръжте ръцете си на разстояние от зоната на рязане и от циркулярния диск. С втората си ръка дръжте спомагателната ръкохватка или корпуса на електродвигателя. Когато държите циркуляра с двете си ръце, няма опасност да ги нараните с режещия диск.

Не пхайте ръцете си под обработвания детайл.

Предпазният кожух не може да Ви защити в зоната под обработвания детайл.

Винаги настройвайте дълбочината на рязане съобразно дебелината на стената на обработвания детайл. От обратната страна на детайла дискът трябва да се подава на разстояние, по-малко от една височина на зъба.

Никога не задържайте обработвания детайл с ръка

или на коляното си. Застопорявайте го към стабилна основа. За да ограничите опасността от нараняване, заклиняване на циркулярния диск или загуба на контрол на електроинструмента, е изключително важно детайлът да бъде застопорен правилно.

Ако изпълнявате дейности, при които съществува опасност работният инструмент да попадне на скрити проводници под напрежение или да засегне захранващия кабел, допирайте електроинструмента само до електроизолираните ръкохватки. При влизане на работния инструмент в контакт с проводници под напрежение то се предава по металните детайли на електроинструмента и това може да доведе до токов удар.

При надлъжно разрязване винаги използвайте направляваща опора или прав водещ ръб. Така точността на рязане ще се подобри, а опасността от заклиняване на циркулярния диск ще се намали.

Винаги използвайте циркулярни дискове с подходящ размер и форма на присъединителния отвор (звездообразен или кръгъл). Циркулярни дискове, които не пасват точно на стъпалото на вала, имат биене и могат да предизвикат загуба на контрол над електроинструмента.

Никога не използвайте повредени или неподходящи подложни шайби, респ. винтове при застопоряване на циркулярните дискове. Подложните шайби и винтове са конструирани специално за Вашия циркуляр и осигуряват максимални безопасност и производителност. Причини за възникване на откат и начини на предотвратяването му: - откатът е внезапна и неочаквана реакция на циркулярния диск в резултат на заклиняването му или обръщането му в неправилна посока, в следствие на която неконтролируемият циркуляр може да излезе от междината на рязане и да се отклони към оператора; - когато режещият диск се заклини в затварящата се междина на рязане, в резултат на блокирането на въртенето му електроинструментът внезапно се измества назад по посока на оператора;

- ако режещият диск бъде завъртян или наклонен в среза, зъбите от задната му страна се връзват в повърхността на обработвания детайл, в резултат на което режещият диск излиза от междината и циркулярът отскача назад по посока на оператора; **Откатът е резултат от неправилното използване и/или боравене с електроинструмента.** Чрез взимането на подходящи предпазни мерки, както е описано по-долу, той може да бъде предотвратен. **Дръжте електроинструмента здраво с двете си ръце и заемайте положение, при което ръцете Ви са насочени да противодействат на евентуално възникнал откат. Тялото Ви трябва да е разположено странично на равнината на въртене на диска, в никакъв случай фронтално срещу него.** При възникване на откат циркулярът може да отскочи назад, но, ако са били взети подходящи предварителни мерки, операторът може да овладее положението.

Ако режещият диск се заклини или разрязването бъде прекъснато по някаква друга причина, отпуснете пусковия прекъсвач и задръжте циркуляра неподвижно в обработвания детайл, докато въртенето на диска спре напълно. Никога не се опитвайте да извадите електроинструмента от разрязваната междина, докато режещият диск се върти или съществува опасност от възникване на откат. Намерете причината за заклиняването на диска и я отстранете. Когато включвате повторно циркуляра, докато режещият диск е в разрязваната междина, го центрирайте в нея и предварително се уверете, че зъбите не допират до детайла. Ако режещият диск се заклини, при повторното включване на електроинструмента той може да излезе от разрязваната междина или да предизвика откат.

За да ограничите опасността от възникване на откат, подпирайте големи плоскости по подходящ начин. При разрязване големите плоскости имат стремеж да се огънат под действие на собствената си сила на тежестта. Те трябва да бъдат подпирани от двете страни на среза, в близост до него и в близост до отдалечения им край.

Не използвайте затъпени или повредени циркулярни дискове. Когато дисковете са затъпени или обърнати в неправилна посока, разрязваната междина е тясна, поради което силно се увеличават триенето, както и опасността от заклиняване и откат.

Преди да започнете разрязването, се уверете, че механизмите за регулиране на дълбочината и наклона на разрязване са затегнати здраво. Ако по време на рязане под действие на възникващите сили настройките се променят, това може да доведе до заклиняване и откат на електроинструмента. Когато връзвате диска в стена или други повърхности, под които могат да се крият опасности, бъдете изключително предпазливи. Режещият диск може да влезе в съприкосновение със скрити под

повърхността предмети, да блокира и да предизвика откат.

Функция на долния предпазен капак

Винаги преди започване на работа проверявайте дали долният предпазен кожух се затваря правилно. Не използвайте циркуляра, ако долният предпазен кожух не се движи свободно и не покрива веднага режещия диск. Никога не задържайте отворен или не препяствайте по какъвто и да било начин затварянето на долния предпазен кожух. Ако циркулярът бъде изтърван по невнимание, долният предпазен кожух може да се изкриви. Отворете го с ръкохватката и се уверете, че може да се движи свободно и независимо от настройката на наклона и дълбочината на рязане не допира до циркулярния диск или други подвижни детайли. Проверявайте дали пружините на долния предпазен кожух функционират правилно. Ако долният предпазен кожух и/или пружината му не работят правилно, преди да бъде използван, електроинструментът трябва да бъде ремонтиран. В резултат на повреждане на детайли, отлагане на лепливи вещества или натрупване на стърготини долният предпазен кожух може да започне да се движи забавено.

Отваряйте долния предпазен кожух само при изпълняване на специални срезове, напр. разрязване с пробиване или рязане в близост до ъгли. Отворете долния предпазен кожух с помощта на ръкохватката и я отпуснете веднага след като режещият диск пробие детайла. При всички други случаи долният предпазен кожух трябва да работи автоматично.

Не оставяйте циркуляра на работния плот или на земята, без долният предпазен кожух да е покрил режещия диск. Незащитен циркулярен диск, който се върти, придвижва циркуляра в обратна посока и разрязва намиращите се на пътя му предмети. Затова се съобразявайте с необходимото за спирането на въртенето по инерция време.

ДОПЪЛНИТЕЛНИ УКАЗАНИЯ ЗА РАБОТА И БЕЗОПАСНОСТ

Носете средство за защита на слуха. Шумът може да доведе до загуба на слуха.

При работа с машината винаги носете предпазни очила. Препоръчват се също така предпазни ръкавици, здрави и нехлъзгащи се обувки, както и престилка.

При работа на открито или когато в машината могат да попаднат влага или прах, се препоръчва уредът да се свързва чрез защитен прекъсвач за утечен ток с максимално 30 mA ток на действие.

Режещи дискове, които не отговарят на параметрите в настоящето упътване за експлоатация, не бива да се използват.

Моля не използвайте шлифовъчни дискове!

Не запъвайте пусковия бутон при работа на ръчен контрол.

УКАЗАНИЯ ЗА РАБОТА

Посредством подходяща скорост на подаване избягвайте прегряването на зъбите на циркуляра.

ЗАЩИТА НА ДВИГАТЕЛЯ В ЗАВИСИМОСТ ОТ НАТОВАРВАНЕТО

Да се свързва само към еднофазен променлив ток и само към мрежово напрежение, посочено върху заводската табелка. Възможно е и свързване към контакт, който не е от тип „шуко“, понеже конструкцията е от защитен клас II.

Контактите във външните участъци трябва да бъдат оборудвани със защитни прекъсвачи за утечен ток (FI, RCD, PRCD). Това изисква предписанието за инсталиране

за електрическата инсталация. Моля спазвайте това при използване на Вашия уред.

Свързвайте машината към контакта само в изключено положение.

Във вентилационните шлицы не бива да попадат метални части поради опасност от късо съединение.

Свързващият кабел винаги да се държи извън работния обсег на машината. Кабелът да се отвежда от машината винаги назад.

Преди всяко използване проверете за повреда и стареене уреда, свързващия кабел, удължителния кабел и щепсела. Повредените части да се ремонтират само от специалист.

Рязко увеличение на напрежението води до промени в същото и може да повлияе на други електроуреди включени в същата мрежа. За възможно най-малки промени в напрежението включвайте уреда към източници на енергия със съпротивление от 0,368 Ω.

За допълнителна информация се обърнете към вашия доставчик на електроенергия.

ИЗПОЛЗВАНЕ ПО ПРЕДНАЗНАЧЕНИЕ

Ръчният циркулярен трион може да се използва за рязане по права линия вдърво.

CE - ДЕКЛАРАЦИЯ ЗА СЪОТВЕТСТВИЕ

Заявяваме под собствена отговорност, че описаният в „Технически данни“ продукт съответства на всички важни разпоредби на директива 2011/65/EU (RoHS), 2004/108/EO, 2006/42/EO, както и на всички следващи нормативни документи във тази връзка.

EN 60745-1:2009 + A11:2010

EN 60745-2-5:2010

EN 55014-1:2006 + A1:2009 + A2:2011

EN 55014-2:1997 + A1:2001 + A2:2008

EN 61000-3-2:2006 + A1:2009 + A2:2009

EN 61000-3-11:2000



Winnenden, 2014-03-03

Alexander Krug / Managing Director

Упълномощен за съставяне на техническата документация

Techtronic Industries GmbH

Max-Eyth-Straße 10, 71364 Winnenden, Germany

ПОДДРЪЖКА

Преди каквито и да е работи по машината извадете щепсела от контакта.

Уверете се, че инструментът е с прекъснато електрическо захранване, преди да поставяте или сваляте режещия диск.

Почиствайте уреда и предпазното съоръжение със суха кърпа. Някои почистващи препарати могат да повредат пластмасата или други изолирани части.

Вентилационните шлицы на машината да се поддържат винаги чисти.

Почиствайте редовно праха. Почиствайте стърготините, които се събират във вътрешността на циркуляра, за да не допуснете

опасност от пожар.

Дръжте уреда чист и сух, както и следете за изтичане на масло и грес.

Проверете функционалността на предпазните капаци.

Редовната поддръжка и редовното почистване осигуряват по-дълъг живот и по-сигурна експлоатация.

Ако е повреден съединителният проводник на електроинструмента, той трябва да се замени със специален предварително подготвен съединителен проводник, който може да се закупи чрез организацията за клиентско обслужване.

Да се използват само аксесоари на AEG и резервни части на. Елементи, чията подмяна не е описана, да се дадат за подмяна в сервиз на AEG (вижте брошурата „Гаранция и адреси на сервизи“).

При необходимост можете да поискате схема на елементите на уреда при посочване на обозначение на машината и шестцифрения номер на табелката за технически данни от Вашия сервиз или директно на Techtronic Industries GmbH, Max-Eyth-Straße 10, 71364 Winnenden, Германия.

СИМВОЛИ



ВНИМАНИЕ! ПРЕДУПРЕЖДЕНИЕ! ОПАСНОСТ



Преди пускане на уреда в действие моля прочетете внимателно инструкцията за използване.



При работа с машината винаги носете предпазни очила.



Да се носи предпазно средство за слуха!



Да се носи подходяща прахозащитна маска.



Да се носят предпазни ръкавици!



Преди каквито и да е работи по машината извадете щепсела от контакта.



Не използвайте сила.



Аксесоари - Не се съдържат в обема на доставката, препоръчано допълнение от програмата за аксесоари.



Не изхвърляйте електроинструменти при битовите отпадъци! Съобразно Европейска директива 2002/96/EO за стари електрически и електронни уреди и нейното реализиране в националното законодателство изхабените електроинструменти трябва да се събират отделно и да се предават в пункт за екологосъобразно рециклиране.



Електроинструмент от защитен клас II
Електроинструмент, при който защитата от електрически удар зависи не само от основната изолация, а и от обстоятелството, че се използват допълнителни защитни мерки като двойна изолация или усилена изолация. Няма приспособление за присъединяване на защитен проводник.



CE-знак



DATE TEHNICE ferăstrău circular electronic	KS 66-2
Număr producție	4466 76 01 000001-999999
Putere nominală de ieșire	1600 W
Viteza la mers în gol	5800 min ⁻¹
Diametru lamă x diametru orificiu	190 x 30 mm
Grosimea pânzei de ferăstrău	2,2 mm
Adâncime max. de tăiere la 0° / 45° / 56°	63 / 47 / 36 mm
Greutatea conform „EPTA procedure 01/2003”	4,8 kg
Informație privind zgomotul/vibrațiile Valori măsurate determinate conform EN 60745. Nivelul de zgomot evaluat cu A al aparatului este tipic de:	
Nivelul presiunii sonore (K=3dB(A)) Nivelul sunetului (K=3dB(A))	92,5 dB(A) 103,5 dB(A)
Purtați căști de protecție	
Valorile totale de oscilație (suma vectorială pe trei direcții) determinate conform normei EN 60745. Tăiere de lemn Valoarea emisiei de oscilații a _{h,w} Incertitudine K=	4,5 m/s ² 1,5 m/s ²



AVERTISMENT

Gradul de oscilație indicat în prezentele instrucțiuni a fost măsurat în conformitate cu o procedură de măsurare normată prin norma EN 60745 și poate fi folosit pentru a compara unelte electrice între ele. El se pretează și pentru o evaluare provizorie a solicitării la oscilații.

Gradul de oscilație indicat reprezintă aplicațiile principale ale uneltelor electrice. În cazul în care însă uneltele electrice au fost folosite pentru alte aplicații, ori au fost folosite unelte de muncă diferite ori acestea nu au fost supuse unei suficiente inspecții de întreținere, gradul de oscilație poate fi diferit.

Acest fapt poate duce la o creștere netă a solicitărilor la oscilații dealungul întregii perioade de lucru. În scopul unei evaluări exacte a solicitării la oscilații, urmează să fie luate în considerație și perioadele de timp în care aparatul a fost oprit ori funcționează dar, în realitate, el nu este folosit în mod practic. Acest fapt poate duce la o reducere netă a solicitărilor la oscilații dealungul întregii perioade de lucru.

Stabiliți măsuri de siguranță suplimentare în scopul protecției utilizatorului de efectele oscilațiilor, de exemplu: inspecție de întreținere a uneltelor electrice și a celor de muncă, păstrarea caldă a mâinilor, organizarea proceselor de muncă.



AVERTISMENT! Citiți toate avizele de siguranță și indicațiile.

Nerespectarea indicațiilor de avertizare și a instrucțiunilor poate provoca electrocutare, incendii și/sau răni grave.

Păstrați toate indicațiile de avertizare și instrucțiunile în vederea utilizărilor viitoare.



INSTRUCIUNI DE SIGURANȚĂ PENTRU FERĂSTRĂU CIRCULAR ELECTRONIC

Procedura de tăiere



PERICOL: Țineți mâinile departe de zona de tăiere și de pânza de ferăstrău. Cea de-a doua mână țineți-o pe mânerul suplimentar sau pe carcasa motorului. Dacă țineți ferăstrăul circular cu ambele mâini, pânza de ferăstrău nu le poate răni.

Nu introduceți mâna sub piesa de lucru. Apărătoarea nu vă poate proteja sub piesa de lucru.

Adaptați adâncimea de tăiere la grosimea piesei de lucru. Sub piesa de lucru ar trebui să se vadă mai puțin de înălțimea întregă a unui dinte.

Nu țineți niciodată în mână sau pe picior piesa de lucru. Asigurați piesa de lucru pe o platformă stabilă. Este impor-

tant ca piesa de lucru să fie bine fixată pentru a reduce la minimum pericolul de contact corporal, blocare a pânzei de ferăstrău sau de pierdere a controlului.

Apucați scula electrică numai de mânerul izolat atunci când executați lucrări la care dispozitivul de lucru poate nimeri conductori electrici ascunși sau propriul cablu de alimentare. Contactul cu un conductor sub tensiune pune sub tensiune și componentele metalice ale sculei electrice și duce la electrocutare.

La tăierea longitudinală folosiți întotdeauna un opritor sau un limitator paralel pentru margini. Acesta sporește precizia de tăiere și diminuează posibilitatea blocării pânzei de ferăstrău.

Folosiți întotdeauna pânze de ferăstrău de mărime corespunzătoare și cu orificiu de prindere adecvat (de ex în formă de stea sau rotund). Pânzele de ferăstrău care nu se potrivesc elementelor de montaj ale ferăstrăului, se vor roti excentric și vor duce la pierderea controlului.

Nu folosiți niciodată șaibe suport sau șuruburi deteriorate sau greșite pentru pânzele de ferăstrău. Șaibele suport și șuruburile pentru pânzele de ferăstrău au fost special construite pentru ferăstrăul dv., în vederea atingerii unor performanțe și a unei siguranțe optime în exploatare. Cauzele și evitarea unui recul:- reculul este o reacție bruscă provocată

de o pânză de ferăstrău înțepenită, blocată sau aliniată greșit, care face ca un ferăstrău necontrolat să se ridice și să iasă afară din piesa de lucru deplasându-se în direcția operatorului; ❌- dacă pânza de ferăstrău se agață sau se înțepenește în fâgașul de tăiere, ea se blochează iar puterea motorului aruncă mașina înapoi, în direcția operatorului;

- dacă pânza de ferăstrău se răsucește sau se aliniază greșit în tăietură, dinții muchiei posterioare a pânze de ferăstrău se pot agăța în suprafața piesei de lucru, ceea ce face ca pânza de ferăstrău să iasă afară din fâgașul de tăiere iar ferăstrăul să sară înapoi, în direcția operatorului. **Recul este consecința utilizării greșite sau defectuoase a ferăstrăului. El poate fi împiedicat prin măsuri de prevedere adecvate, conform celor descrise în cele ce urmează. Apucați întotdeauna strâns ferăstrăul cu ambele mâini și aduceți-vă brațele într-o poziție, în care să reziste forțelor de recul. Stați întotdeauna lateral față de pânza de ferăstrău, nu aduceți niciodată pânza de ferăstrău pe aceeași linie cu corpul dv.** În caz de recul ferăstrăul circular poate sări înapoi, însă operatorul are posibilitatea de a stăpâni forțele de recul dacă au fost adoptate măsuri adecvate.

Dacă pânza de ferăstrău se înțepenește sau dacă tăierea este întreruptă dintr-un anumit motiv, eliberați întrerupătorul pornit-oprit și lăsați ferăstrăul nemișcat în materialul de prelucrat, până când pânza de ferăstrău se oprește complet. Nu încercați niciodată să îndepărtați ferăstrăul din material sau să-l trageți înapoi, atât timp cât pânza de ferăstrău se mai mișcă sau cât mai există încă riscul producerii de recul. Găsiți cauza înțepenirii pânzei de ferăstrău și înlăturați-o prin măsuri adecvate. Atunci când doriți să reporniți ferăstrăul rămas în piesa de lucru, centrați pânza de ferăstrău în fâgașul de tăiere și verificați dacă dinții acesteia nu sunt agățați în piesa de lucru. Dacă pânza de ferăstrău este înțepenită, ea poate ieși afară din piesa de lucru sau provoca un recul la repornirea ferăstrăului.

Sprrijiniți plăcile mari pentru a diminua riscul unui recul provocat de o pânză de ferăstrău înțepenită. Plăcile mari se pot îndoi sub propria lor greutate. Plăcile trebuie sprrijinite pe ambele laturi, atât în apropierea fâgașului de tăiere cât și la margine.

Nu folosiți pânze de ferăstrău tocite sau deteriorate. Pânzele de ferăstrău cu dinții tociți sau aliniați greșit produc, din cauza fâgașului de tăiere prea îngust, o frecare crescută, înțepenirea pânzei de ferăstrău și recul.

Înainte de tăiere fixați prin strângere dispozitivele de reglare a adâncimii și unghiului de tăiere. Dacă în timpul tăierii reglajele se modifică, pânza de ferăstrău se poate înțepeni și provoca apariția reculului. Fiți foarte precauți atunci când executați o tăiere cu penetrare directă în material într—un sector ascuns, de ex. într-un perete. Pânza de ferăstrău care pătrunde în perete se poate bloca în obiecte ascunse și provoca recul.

Funcția capacului de protecție inferior

Înainte de fiecare întrebuițare, verificați dacă apărătoarea inferioară nu se poate mișca liber și dacă nu se închide instantaneu. Nu fixați și nu legați niciodată apărătoarea inferioară în poziție deschisă. Dacă ferăstrăul cade accidental pe jos, apărătoarea inferioară se poate îndoi. Deschideți apărătoarea inferioară cu maneta de retragere și asigurați-vă că se poate mișca liber și că în toate unghiurile și adâncimile de tăiere nu atinge nici pânza de ferăstrău și nici celelalte componente. Verificați funcționarea arcului apărătoarei inferioare. Înainte de întrebuițare întrețineți mașina în caz că apărătoarea inferioară și arcul nu lucrează

impecabil. Componentele deteriorate, depunerile vâscoase sau aglomerările de așchii duc la acțiunea lentă a apărătoarei inferioare.

Deschideți manual apărătoarea inferioară numai în cazul operațiilor speciale de tăiere ca „tăieri cu penetrare directă în material și tăieri unghiulare”. Deschideți apărătoarea inferioară cu maneta de retragere și eliberați-o, de îndată ce pânza de ferăstrău a pătruns în piesa de lucru. La toate celelalte lucrări de tăiere apărătoarea inferioară trebuie să funcționeze automat.

Nu puneți ferăstrăul pe bancul de lucru sau pe podea, fără ca apărătoarea inferioară să acopere pânza de ferăstrău. O pânză de ferăstrău neprotejată, care se mai învâрте din inerție, mișcă ferăstrăul în sens contrar direcției de tăiere și taie tot ce îi stă în cale. Respectați timpul de oprire al ferăstrăului.

INSTRUCȚIUNI SUPPLEMENTARE DE SIGURANȚĂ ȘI DE LUCRU

Purtați aparatoare de urechi. Expunerea la zgomot poate duce la pierderea auzului.

Purtați întotdeauna ochelari de protecție atunci când utilizați mașina. Se recomandă purtarea mănușilor, a încălțămintei solide nealunecoase și sortului de protecție.

Praful care apare când se lucrează cu această sculă poate fi dăunător sănătății și prin urmare nu trebuie să atingă corpul. Utilizați un sistem de absorbție a prafului și purtați o mască de protecție împotriva prafului. Îndepărtați cu grijă praful depozitat, de ex. cu un aspirator.

Nu utilizați lamele care nu corespund datelor oferite în prezentele Instrucțiuni de utilizare.

Montarea unor discuri abrazive este interzisă!

Nu fixați comutatorul pornire / oprire în poziția „pornit” când se utilizează ferăstrăul de mână.

INDICAȚII DE LUCRU

Prin utilizarea unei viteze de avans adecvate evitați supraîncălzirea dinților pânzei de ferăstrău.

ALIMENTARE DE LA REȚEA

Conectați numai la priza de curent alternativ monofazat și numai la tensiunea specificată pe placuța indicatoare. Se permite conectarea și la prize fără împantantare dacă modelul se conformează clasei II de securitate.

Aparatele utilizate în multe locații diferite inclusiv în aer liber trebuie conectate printr-un disjunctur (FI, RCD, PRCD) care previne comutarea.

Conectați la rețea numai când mașina este oprită.

Nu lăsați nici o piesă metalică să intre în fantele de aerisire - pericol de scurt circuit.

Pastrați cablul de alimentare la o distanță de aria de lucru a mașinii. Întotdeauna țineți cablul în spatele dvs.

Înainte de utilizare verificați mașina, cablul și stecarul pentru orice defecțiuni sau uzură a materialului. Reparațiile trebuie efectuate numai de către agenții de service autorizați.

O cădere a tensiunii cauzează fluctuații ale voltajului și poate afecta alte produse electrice de la aceeași sursă de curent. Conectați produsul la o sursă de curent cu o impedanță egală cu 0.368 Ω pentru a reduce fluctuațiile de voltaj.

Contactați furnizorul dvs de energie electrică pentru clarificări ulterioare.



CONDIȚII DE UTILIZARE SPECIFICATE

Acest ferăstrău circular electronic poate tăia lungimi și unghiuri în lemn.

DECLARAȚIE DE CONFORMITATE

Declarăm pe propria răspundere că produsul descris la „Date tehnice” este în concordanță cu toate prevederile legale relevante ale Directivei 2011/65/EU (RoHs), 2004/108/CE, 2006/42/CE și cu următoarele norme armonizate:

EN 60745-1:2009 + A11:2010

EN 60745-2-5:2010

EN 55014-1:2006 + A1:2009 + A2:2011

EN 55014-2:1997 + A1:2001 + A2:2008

EN 61000-3-2:2006 + A1:2009 + A2:2009

EN 61000-3-11:2000



Winnenden, 2014-03-03

Alexander Krug / Managing Director
Împuternicit să elaboreze documentația tehnică.

Techtronic Industries GmbH
Max-Eyth-Straße 10, 71364 Winnenden, Germany

INTREȚINERE

Întotdeauna scoateți stecarul din priză înainte de a efectua intervenții la mașină.

Asigurați-vă că deconectați unealta de la sursa de alimentare înainte de atașarea sau înlăturarea lamei ferăstrăului.

Curățați aparatul și dispozitivul de protecție cu o lavetă uscată. Unii agenți de curățat deteriorează materialul plastic și alte componente izolate.

Fantele de aerisire ale mașinii trebuie să fie menținute libere tot timpul

Îndepărtați regulat praful. Pentru evitarea pericolului de incendiu, îndepărtați rumegușul acumulat în interiorul ferăstrăului.

Păstrați aparatul curat, uscat și ștergeți-l de uleiul și vaselina care s-au scurs.

Verificați funcționarea carcaselor de protecție.

Întreținerea și curățarea efectuate în mod regulat, asigură o durată de exploatare lungă și o manipulare în condiții de siguranță.

În cazul în care cablul de conectare al sculei electrice este deteriorat, acesta se înlocuiește cu un cablu special pregătit care se poate obține prin centrele de service.

Utilizați numai accesorii și piese de schimb AEG. Dacă unele din componente care nu au fost descrise trebuie înlocuite, vă rugăm contactați unul din agenții de service AEG (vezi lista noastră pentru service / garanție)

Dacă este necesar, puteți solicita de la centrul dvs. de service pentru clienți sau direct la Techtronic Industries GmbH, Max-Eyth-Straße 10, 71364 Winnenden, Germania un desen descompus al aparatului prin indicarea tipului de aparat și a numărului cu șase cifre de pe tablăta indicatoare.

SIMBOLURI



PERICOL! AVERTIZARE! ATENȚIE!



Vă rugăm citiți cu atenție instrucțiunile înainte de pornirea mașinii



Purtați întotdeauna ochelari de protecție atunci când utilizați mașina



Purtați căști de protecție



Purtați o mască de protecție corespunzătoare împotriva prafului.



Purtați mănuși de protecție!



Întotdeauna scoateți stecarul din priză înainte de a efectua intervenții la mașină.



A nu se aplica forța.



Accesorii - Nu este inclus în echipamentul standard, disponibil ca accesoriu



Nu aruncați scule electrice în gunoiul menajer! Conform directivei europene nr. 2002/96/EC referitor la aparate electrice și electronice uzate precum și la transpunerea acesteia în drept național, sculele electrice trebuie colectate separat și introduse într-un circuit de reciclare ecologic.



Scală electrică cu clasa de protecție II Scula electrică la care protecția împotriva unei electrocutări nu depinde doar de izolația de bază, ci și de aplicarea de măsuri suplimentare de protecție, cum ar fi o izolație dublă sau o izolație mai puternică. Nu există un dispozitiv pentru conectarea unui conductor de protecție.



Marcaj CE

ТЕХНИЧКИ ПОДАТОЦИ Електорнската циркуларното сечило	KS 66-2
Производен број	4466 76 01 000001-999999
Определен внес	1600 W
Брзина без оптоварување	5800 min ⁻¹
Сечило на пила дијаметар x дијаметар на отвор	190 x 30 mm
Густина на запците на сечилото на пилата	2,2 mm
Макс. длабочина на сечење при 0° / 45° / 56°	63 / 47 / 36 mm
Тежина според ЕПТА-процедурата 01/2003	4,8 kg
Информација за бучавата/вибрациите Измерените вредности се одредени согласно стандардот EN 60745. А-оценетото ниво на бучава на апаратот типично изнесува: Ниво на звучен притисок. (K=3dB(A)) Ниво на јачина на звук. (K=3dB(A)) Носте штитник за уши.	92,5 dB(A) 103,5 dB(A)
Вкупни вибрациски вредности (векторски збир на трите насоки) пресметани согласно EN 60745. Дрво Вибрациска емисиона вредност a _{h,w} Несигурност K=	4,5 m/s ² 1,5 m/s ²



ПРЕДУПРЕДУВАЊЕ

Нивото на осцилација наведено во овие инструкции е измерено во согласност со мерните постапки нормирани во EN 60745 и може да биде употребено за меѓусебна споредба на електро-алати. Ова ниво може да се употреби и за привремена проценка на оптоварувањето на осцилацијата.

Наведеното ниво на осцилација ги репрезентира главните намени на електро-алатот. Но, доколку електро-алатот се употребува за други намени, со отстапувачки додатоци или со несоодветно одржување, нивото на осцилација може да отстапи. Тоа може значително да го зголеми оптоварувањето на осцилацијата за време на целиот работен период.

За прецизна проценка на оптоварувањето на осцилацијата предвид треба да бидат земени и времињата, во коишто апаратот е исклучен или работи, но фактички не се употребува. Тоа може значително да го намали оптоварувањето на осцилацијата за време на целиот работен период.

Утврдете дополнителни безбедносни мерки за заштита на операторот од влијанието на осцилациите, како на пример: одржување на електро-алатот и на додатоци кон електро-алатот, одржување топли раце, организација на работните процеси.

ПРЕДУПРЕДУВАЊЕ! Прочитајте ги сите безбедносни упатства и инструкции.

Заборавање на почитувањето на безбедносните упатства и инструкции можат да предизвикаат електричен удар, пожар и/или тешки повреди.

Сочувајте ги сите безбедносни упатства и инструкции за во иднина.

БЕЗБЕДНОСНИ УПАТСТВА ЗА ЕЛЕКТОРНСКАТА ЦИРКУЛАРНОТО СЕЧИЛО

Постапка на пилење

 **Опасност: Држете ги рацете настрана од зоната на сечење. Држете ја другата рака на помошната рачка или куќиштето на моторот.** Доколку пилата ја држите со двете раце, не можете да се пресечете од сечилото.

Не посегайте под обработуваното парче. Заштитата не може да Ве заштити од сечилото под обработуваното парче.

Прилагодете ја длабочината на засекот во зависност од густината на обработуваното парче. Нешто помалку од цел забез од сечилото треба да биде видлив под работното парче.

Никогаш не го држете парчето кое се обработува со раце или преку нога. Обезбедете го на стабилна површина.

Важно е соодветно да ја потпирате работата како би ја минимизирале телесната изложеност, виткањето на сечилото или губењето контрола.

з) Фаќајте го електро-алатот само на изолирани површини за држење, додека извршувате работи, кај кои приборот може да погоди сокриени струјни водови или сопствениот кабел за напојување со струја. Контактот со водови што спроведуваат напон, става и метални делови од електро-апаратот под напон и доведува до електричен удар.

При ракување со рачна пила користете бариера или водилка под прав агол. Ова ја подобрува прецизноста на резот и го намалува ризикот од свиткување на сечилото.

Секогаш користете сечила со соодветна големина и форма (дијамантски наспроти кружни) или крунски пили. Сечила кои не одговараат на монтираниот хардвер на пилата ќе се движат неправилно предизвикувајќи губење на контролата.

Никогаш не користете оштетени или несоодветни средства за чистење или ... Тие средства и... Се специјално наменети за вашата пила, за оптимални перформанси и сигурност при користењето. Причини и начин на спречување на повратен ефект. повратниот ефект е ненадејна реакција при откршување, свиткување или изместување на сечилото, и предизвикува неконтролираното

сечило од пилата да се крене и да излезе од обработуваното парче кон оној кој работи. кога сечилото е откриено или цврсто завиткано од ...затворањето, запците на сечилото и реакцијата на моторот ја турка брзо назад кон оној кој работи со неа.

доколку сечилото се извита или се измести во сечењето, забецот на надворешниот раб на сечилото може да се зарие во горната површина на дрвото правејќи сечилото да излезе од лежиште и да скокне кон оној кој работи. **Повратниот ефект е резултат на неправилна употреба на пилата и/или некоректни работни процедури или услови и може да биде избегнат со превземање на соодветни претпазливи постапки наведени подолу. Држете цврсто со двете раце кои се поставени да пружат отпор при повратен удар. Поставете го вашето тело од било која страна на сечилото, но не во негова линија.** Повратниот удар може да предизвика пилата да потскокне наназад, но јачината на повратниот удар може да биде контролирана од операторот доколку се преземени соодветни мерки на претпазливост.

Кога сечилото се свиткало, или прекин на сечењето од било која причина, ослободете го прекинувачот и држете го ножот во материјалот без да делувате, се додека не дојде до потполно запирање на сечилото. Никогаш не се обидувајте да ја тргнете пилата или да ја повлечете наназад додека сечилото се движи или може да се појави повратен удар. Испитајте ги и преземете корективни чекори за да ја елиминирате причината за свиткување на сечилото. По рестартирање на пилата во обарботуваното парче, центрирајте го сечилото на пилата во крвината и проверете запците на пилата да не се навлезени во материјалот. Доколку сечилото на пилата е свиткано, може да тргне нагоре или да излезе од обработуваното парче, кога таа ќе се стартува.

Потпирајте ги големите панели како би го минимизирале ризикот од свиткување на сечилото и повратен удар. Големите панели имаат тенденција да се свиткаат под сопствената тежина. Мора да биде поставена потпора под панелот од двете страни, блиску до линијата на сечење и блиску до работ на панелот.

Не користете отапени или оштетени сечила. Ненаострните или не соодветно поставените сечила создаваат остра кривина која предизвикува интензивно триење, виткање на сечилото и повратен удар.

Длабочината на сечилото и прилагодливиот заклучувач на рачката мора да биде стегнат и обезбеден пред да се сече. Доколку се промени подесувањето за време на сечењето може да дојде со свиткување и повратен удар. Бидете екстремно претпазливи при рез со забодување во постоечки ѕидови или други армирани површини. Ако сечилото на пилата дојде во контакт со предмети скриени под површината, може да ги блокира и да предизвика повратен удар.

Функција на долниот заштитен поклопец

Проверете ја долната заштита дали е соодветно затворена пред секоја употреба. Не работете со пилата доколку долната заштита не се движи слободно и не се затвора моментално. Никогаш не ја затегнувајте ниту врзувајте долната заштита во отворена позиција. Доколку пилата падне ненамерно, долната заштита може да се свитка. Кренете ја долната заштита со повлекување на рачката и осигурете се дека се движи слободно не допирајќи до сечилото или било кој друг дел под било кој агол и длабочина на засек. Проверете го функционирањето на федерот на долната

заштита. Доколку заштитата и федерот не се отвораат соодветно, мора пред употреба да бидат сервисирани. Долната заштита може да функционира тремо поради оштетените делови, лепливи остатоци или насобрани делчиња.

Долната заштита треба да биде рачно повлечена само при специјални резони како „резони со забодување“, или „сложени резони“. Кренете ја долната заштита со повлекување на рачката веднаш штом сечилото влезе во материјалот, долната заштита мора да биде отпуштена. При секое друго сечење, долната заштита мора да работи автоматски.

Секогаш гледајте долната заштита да го покрива сечило пред пилата да ја спуштите на маса или под. Незаштитено лизгање на сечилото ќе предизвика пилата да тргне наназад, сечејќи се што ќе се најде на патот. Бидете свесни за потребното време за кое сечилото престанува да работи, по ослободувањето на прекинувачот.

ОСТАНАТИ БЕЗБЕДНОСНИ И РАБОТНИ УПАТСТВА

Носете штитник за уши. Влијанието на бука може да предизвика губење на сетилото за слух.

Секогаш носете ракавици кога ја користите машината. Исто така препорачливо е да се носат очила, цврсти чевли кои не се лизгаат и престилка.

Прашината која се крева при работа со овој алат може да биде штетна по здравјето и затоа не го изложувајте го телото. Користете систем за апсорпција на прашината и носете соодветна заштитна маска. Одстранете ја целосно наталожената прашина пр: со правосмукалка.

Не користете сечила кои не одговараат на пропишаните параметри дадени во овој прирачник за употреба.

Ве молиме не користете абразивни дискови-шмиргли на оваа машина!

Не го фиксирајте прекинувачот во позиција он-вклучено кога ја користите пилата држејќи ја со рака.

РАБОТНИ УПАТСТВА

Со прилагодена брзина на движењето напред, избегнете го прегревањето на забчаниците.

ГЛАВНИ ВРСКИ

Да се спои само за една фаза АС коло и само на главниот напон наведен на плочката. Можно е исто така и поврзување на приклучок без заземјување доколку изведбата соодветствува на безбедност од 2 класа.

Уредите кои се користат на многу различни локации вклучувајќи и отворен простор мора да бидат поврзани за струја преку направата за поврзување (FI, RCD, PRCD).

Вклучувањето на кабелот во струја се прави исклучиво машината е исклучена.

Не дозволувајте какви и да се метални делови да дојдат до отворите за вентилација-ризик од куршлус!

Чувајте го кабелот за напојување подалеку од работната површина. Секогаш водете го кабелот позади вас.

Пред употреба проверете ја машината, кабелот и приклучокот од било какви оштетувања или замор на материјалот. Поправките треба да бидат спроведувани исклучиво од овластени сервисери.



Кратковремени вршни напони предизвикуваат осцилирање на напонот и можат да извршат влијание врз други електрични производи во истиот струен вод. Приклучете го апаратот на снабдевање со струја со импеданца од 0,368 Ω за да минимизирате осцилирања на напонот.

Контактирајте го Вашиот снабдевач со енергија за понатамошни информации.

СПЕЦИФИЦИРАНИ УСЛОВИ НА УПОТРЕБА

Електронската циркуларното сечило може да сече надолжно и триаголноперецизно во дрво.

ЕУ-ДЕКЛАРАЦИЈА ЗА СООБРАЗНОСТ

Во своја сопствена одговорност изјавуваме дека под „Технички податоци“, опишаниот производ е во склад со сите релевантни прописи од регулативата 2011/65/EU (RoHS), 2004/108/EC, 2006/42/EC и следните хармонизирачки нормативни документи:

EN 60745-1:2009 + A11:2010

EN 60745-2-5:2010

EN 55014-1:2006 + A1:2009 + A2:2011

EN 55014-2:1997 + A1:2001 + A2:2008

EN 61000-3-2:2006 + A1:2009 + A2:2009

EN 61000-3-11:2000



Winnenden, 2014-03-03

Alexander Krug / Managing Director

Ополномоштен за составување на техничката документација.

Techtronic Industries GmbH
Max-Eyth-Straße 10, 71364 Winnenden, Germany

ОДРЖУВАЊЕ

Секогаш кога преземате активности врз машината исклучете го кабелот од струјата.

Уверете се дека алатката е исклучена од напојување пред да го прикачите или отстраните сечилото.

Апаратот и заштитната направа очистете ја со сува крпа. Некои средства за чистење ја оштетуваат пластиката или други изолирани делови.

Вентилациските отвори на машината мора да бидат комплетно отворени постојано.

Оддалечувајте редовно прашина. Внатре во пилата оддалечувајте натрупени струготини, да се избегна ризик на пожар

Одржувајте го апаратот чист и сув како и неизвалкан од истечено масло и масти.

Проверете ја функцијата на заштитните хауби.

Редовно одржување и чистење обезбедува долг век и безбедно ракување.

Доколку приклучниот вод на електричното орудие е оштетено,

ќе мора да се замени со специјално подесен вод кој што може да се добие преку сервисната организација.

Користете само АЕГ додатоци и резервни делови. Доколку некои од компонентите кои не се опишани треба да бидат заменети, Ве молиме контактирајте ги сервисните агенти на АЕГ (консултирајте ја листата на адреси).

При потреба може да се побара експлозионен цртеж на апаратот со наведување на машинскиот тип и шестоцифрениот број на табличката со учиниот или во Вашата корисничка служба или директно кај Techtronic Industries GmbH, Max-Eyth-Straße 10, 71364 Winnenden, Германија.

СИМБОЛИ



ВНИМАНИЕ! ПРЕДУПРЕДУВАЊЕ! ОПАСНОСТ!



Ве молиме пред да ја стартувате машината обрнете внимание на упатствата за употреба.



Секогаш носете ракавици кога ја користите машината.



Носете штитник за уши.



Носете соодветна заштитна маска.



Носете ракавици!



Секогаш кога преземате активности врз машината исклучете го кабелот од струјата.



Не употребувајте сила.



Дополнителна опрема - Не е вклучена во стандардната, а достапна е како додаток.



Не ги фрлајте електричните апарати заедно со другиот домашен отпад! Европска регулатива 2002/96/EC за одлагање на електрична и електронска опрема и се применува согласно националните закони. Електричните апарати кои го достигнале крајот на својот животен век мора да бидат одвоено собрани и вратени во соодветна рециклажна установа.



Електрично орудие од заштитната категорија II Електрично орудие чијашто заштита од електричен удар не зависи само од основната изолација туку и од тоа дали ќе се применат дополнителните заштитни мерки како што се двоструките изолации или појачаната изолација. Не постои никаква направа за приклучување на некој заштитен вод.



CE-знак



技术数据 圆锯	KS 66-2
生产号	4466 76 01 000001-999999
输入功率	1600 W
无负载转速	5800 min ⁻¹
锯刀直径 x 锯刀孔直径	190 x 30 mm
锯片厚度	2,2 mm
最大切削深度 0°/45°/56°	63 / 47 / 36 mm
重量符合EPTA - Procedure01 / 2003	4,8 kg
噪音/振动信息 本测量值符合 EN 60745 条文的规定。 器械的标准A-值噪音级为： ##音压值 (K=3dB(A)) ##音量值 (K=3dB(A)) 请戴上护耳罩！	92,5 dB(A) 103,5 dB(A)
依欧盟EN 60745 标准确定的振荡总值 (三方向矢量和)。 木材锯开 a _h -振荡发射值 a _{h,w} K-不可靠性=	4,5 m/s ² 1,5 m/s ²



中文

注意

本规程列出的依欧盟EN 60745 标准一项标准测量方法测量的振荡级也可用于电动工具比较并适合于临时振荡负荷估计。

该振荡级代表电动工具的主要应用。电动工具的其他应用，不正确的工作工具或缺乏维护可造成振荡级偏差。此可明确提高总工作期间的振荡负荷。

正确地估计一定工作期间的振荡负荷也要考虑到工具关闭或接通而不使用的期间。此可明确减少总工作期间的振荡负荷。

为提高操作人员对振荡作用的保护得规定补充安全措施：电动工具及工作工具的维护，温手，工作过程组织等。


警告！阅读所有警告和所有说明。

不遵照以下警告和说明会导致电击、着火和/或严重伤害。

保存所有警告和说明书以备查阅。

圆锯 的安全说明

切锯方法

 **危险** 双手必须摆在切割范围之外并且远离锯片。操作机器时，第二隻手握牢辅助手柄或放在马达壳上。如果使用双手握持圆锯，便不会被锯片割伤。

不可以把手放在工件的下面。防护罩无法保护摆在工件下面的手。

根据工件的厚度设定锯深。不可以让锯齿完全突出於工件之外。

不可以把正在切割的工件拿在手上或放

在腿上。工件必须固定在稳固的平台上。固定好工件之后，不仅可以防止身体意外接触刀片，並且可以降低锯片被卡住或操纵失控的情况。

如果工作时可能割断隐藏著的电线或机器本身的电源线，那麼一定要握著绝缘手柄操作机器。电动工具如果接触了带电的线路，机器上的金属部件会导电，並可能造成操作者触电。

纵割时必须使用档块或直角导引。如此不仅可以增加锯割的准确度，而且可以降低锯片被卡住的机会。

必须使用固定孔尺寸和大小正确的锯片，而且锯片中心的孔要和接头法兰的形状一致（星形或圆形）。锯片的安装孔，如果不能配合锯片的安装部件，开动机器后锯片会偏心运转，甚至会发生失控的状况。

切勿使用损坏的或不合适的锯片垫圈、锯片螺钉。锯片垫圈和锯片螺钉，都是针对个别圆锯经过特别设计。使用了正确的垫圈和螺钉不仅可以提高工作效率，更能够确保操作安全。反弹的原因和如何避免反弹-所谓反弹，指的是一种突然的机器反应。导致机器反弹的原因可能是，锯片被钩住了、卡住了或者锯片的安装方式错误。此时，失控的机器会从工件中滑出，並朝著操作者的方向移动；-如果锯片被钩住后卡在锯缝中，锯片转速顿时降低，此时马达的强大反衝力，会急速地把机器弹向操作者；

-如果锯片在锯缝中扭曲了或者未安装正确，可能导致锯片后端的锯齿卡在工件表面上，更进而把整个锯片从锯缝中拔出，並且锯片也会猛然地朝著操作者的方向弹跳。使用错误或操作不当，都会导致圆锯反弹，为了避免上述情况，请确实遵循以下各安全措施。使用双手握紧圆锯，持机的姿势必须能够抵挡住机器强大的反弹力道。操作机器时要站在机器的侧面，千万不可以让锯片和身体站在同一直线上。反弹时圆锯会向后衝撞，但操作者如果采取正确的防范措施，便能够及时控制住弹力。

如果锯片卡住了，或锯割过程因为任何原因突然中断了，必须马上放鬆起停开关，並静待插在工件中的锯片完全停止运动。只要锯片仍继续运动，千万不可尝试著从工件中拔出锯片，或向后抽拉圆锯，否则可能发生反弹。找出导致锯片卡住的原因，並设法排除障碍。重新开动插在工件中的圆锯时，必须先把锯片放在锯缝的中心，然后检查是否仍有锯齿陷在工件中。如果锯片被卡住了，重新开动机器时，锯片可能滑出锯缝或者导致机器反弹。

固定好大的平板，以防止锯片被卡住以及机器反弹。大的平板由于自身重量容易向下弯曲，必须在平板下端的两侧安排支撑，一个放在锯线的附近，一个放在平板的边缘。

不可使用已经变钝或受损的锯片。锯齿如果已经变钝或位置不正，容易因为锯缝过窄，而提高锯割时的磨擦、卡住锯片並引起反弹。

锯割之前必须收紧锯深调整杆和锯角调整杆。如果锯割时设定突然改变了，可能导致锯片被卡牢並且引起反弹。在墙壁和隐蔽处进行潜锯时必须特别留心。突出的锯片可能接触会引起反弹的物品。

下面保护罩的功能

使用机器之前先检查下防护罩是否能正确关闭。切勿使用下防护罩无法自由移动、无法马上关闭的机器。千万不可以把下防护罩固定在开放的位置。如果不小心让电锯掉落地面，下防护罩可能弯曲变形。使用推杆打开防护罩，並检查防护罩是否能自由移动。在任何锯割角度和锯割深度，防护罩都不能接触锯片或其它的机件。检查下防护罩弹簧的运作功能。如果下防护罩和弹簧无法正常运作，则必须在使用之前把机器送给专业人员维修。损坏的零件、残留在防护罩上的树脂或锯屑，都会减缓下防护罩的反应速度。

只有进行特别的锯割过程时，例如潜锯和复合式锯法，才可以用手推开下防护罩。使用推柄打开下防护罩，一当锯片咬住工件，便要马上放开下防护罩。在其它的锯割过程，都应该让下防护罩自动打开、关闭。

把圆锯放在工作台或地板上之前，务必检查下防护罩是否已经完全遮盖住锯片。如果防护罩未关闭，而锯片仍继续转动，整个电锯会向后滑走，並割坏所有锯线范围内的物品。注意关机后，锯片继续转动至完全停止所需的时间。

其它安全和工作指示

戴好耳罩。暴露在噪声中会引起听力损伤。

操作机器时务必佩戴护目镜。最好也穿戴工作手套、坚固防滑的鞋具和工作围裙。

工作中产生的废尘往往有害健康，最好不要让此类物质接触身体。操作机器时请使用吸尘装置并佩戴防尘面罩。彻底清除堆积的灰尘，例如使用吸尘器。

锯刀片的规格如果与本说明书提供的规格不符，请勿使用。

不可安装研磨片。

用手操作机器时不可固定起停开关。



工作指示

为避免锯片齿过热，应使用合适的进给速度。

电源插头

只能连接单相交流电，只能连接机器铭牌上规定的电压。本机器也可以连接在没有接地装置的插座上，因为本机器的结构符合第II级绝缘。

户外插座必须连接剩余电流防护开关。这是使用电器用品的基本规定。使用本公司机器时，务必遵守这项规定（FI, RCD, PRCD）。

确定机器已经关闭了才可以插上插头。

不可以让金属碎片掉入通风孔中，可能导致短路。电源线必须远离机器的作业范围。操作机器时电线必须摆在机身后端。

使用之前，先检查机器、电源电线、延长线和插头是否有任何损坏。损坏的零件只能交给专业电工换修。

功率峰值会造成电压波动，且可能影响同一电源线上的其它电器产品。请将本产品连接到一个阻抗为 $0.368\ \Omega$ 的电源上，使电压波动最小。

进一步的解释，请联系你的电源供应商

正确地使用机器

本电动手提圆锯可以在木材上进行直线割锯。

维修

在机器上进行任何修护工作之前，务必从插座上拔出插头。

安装或拆卸锯片前，务必确保工具已从电源切断。应用干布清洁机器和防护装置。某些清洁剂可能会侵蚀机器上的塑料或绝缘部件。

机器的通气孔必须随时保持清洁。

请您定期清除灰尘。为避免发生火灾危险，请您清除聚集在锯子内部的锯末。

务必把机器维持清洁和干燥并清洁流出的油和脂。

务必经常检查防护罩的安全作用。

务必经常把机器维护并清洁，以确保机器的长期寿命和安全操作。

如果电动工具的电源线受损，应换装服务中心提供的特制电线。

只能使用 AEG 的配件和零件。缺少检修说明的机件如果损坏了，必须交给 AEG 的顾客服务中心更换（参考手册“保证书 / 顾客服务中心地址”）。

如果需要机器的分解图，可以向您的顾客服务中心或直接向 Techtronic Industries GmbH, Max-Eyth-Straße 10, 71364 Winnenden, Germany 联络。案件时必须提供以下资料：机型和机器铭牌上的六位数字码。

符号



请注意！警告！危险！



使用本机器之前请详细阅读使用说明书。



操作机器时务必佩戴护目镜。



请戴上护耳罩！



工作时请佩戴合适的防尘面具。



请戴好工作手套！



在机器上进行任何修护工作之前，务必从插座上拔出插头。



不要加力。



配件 - 不包含在供货范围中。请另外从配件目录选购。



不可以把损坏的电动工具丢弃在家庭垃圾中！根据被欧盟各国引用的有关旧电子机器的欧洲法规2002/96/EC，必须另外收集旧电子机器，并以符合环保规定的方式回收再利用。



保护等级II工具 具有不只依赖于基本绝缘，但依赖于双重或强化绝缘等保护措施电击保护的电动工具。没有连接保护线的装置。



欧洲共同体标志



中文

AEG

POWERTOOLS

www.aeg-powertools.eu

(03.14)
4931 4252 08



Techtronic Industries GmbH
Max-Eyth-Straße 10
71364 Winnenden
Germany