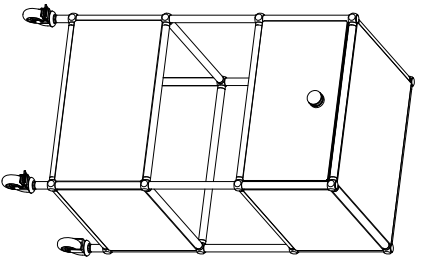


Concept Epure
MK-145



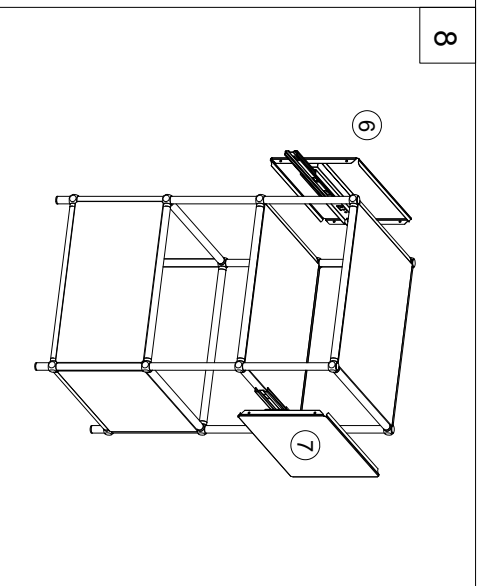
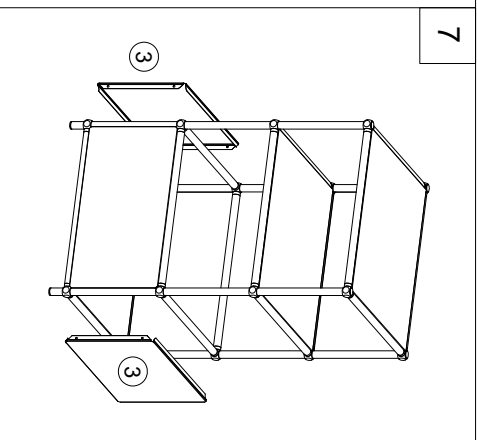
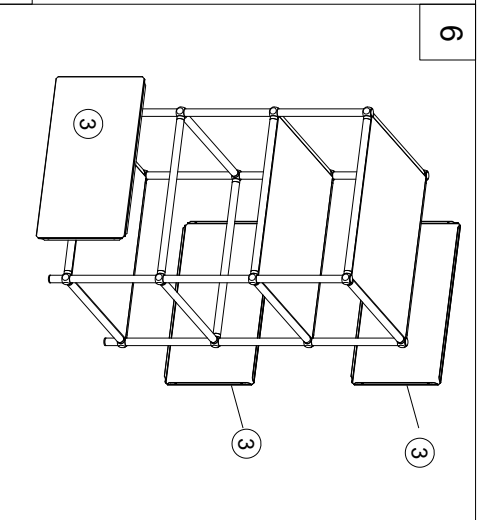
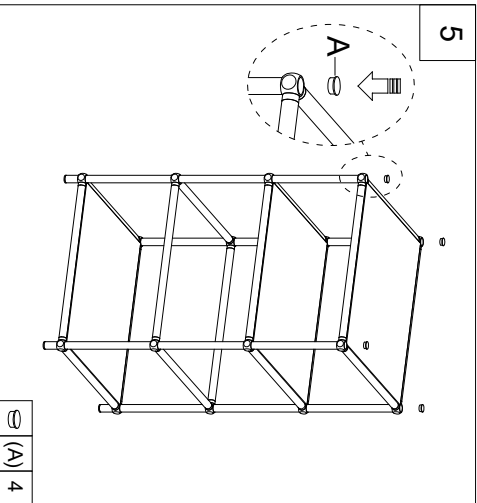
PART	PICTURE	QTY
①		3
②		1
③		5
④		1

PART	PICTURE	QTY
⑤		1
⑥		1
⑦		1
⑧		12
⑨		4
(A)		4
(B)		2
(C)		2
(D)		12

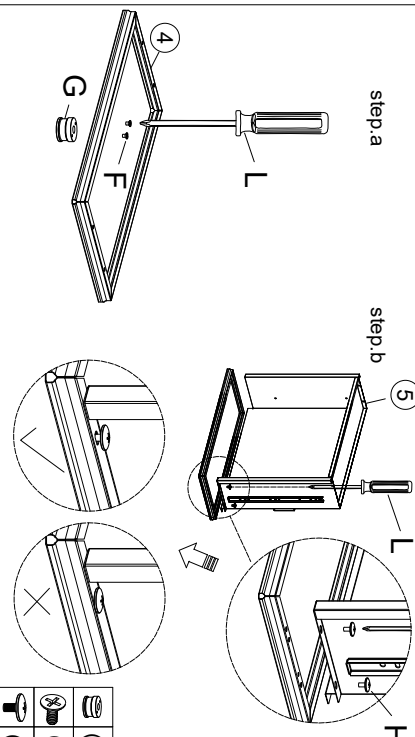
PART	PICTURE	QTY
(E)	 M6*15	4
(F)	 M4*8	2
(G)		1
(H)	 M5*8	4
(I)	 M3	1
(J)	 M4	1
(K)		1
(L)		1
(M)		1

STEP

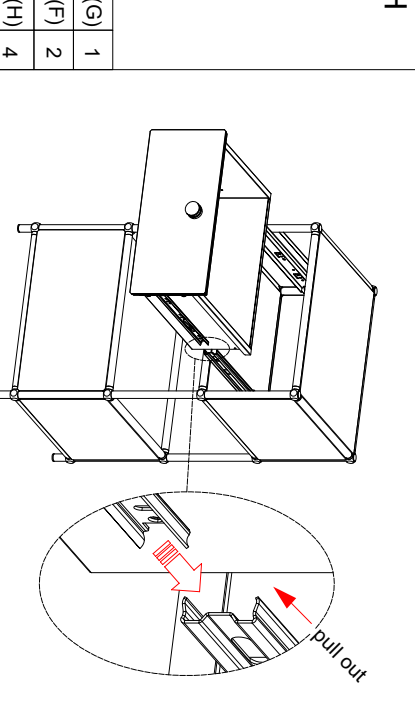
1	<p>① 1</p> <p>② 1</p> <p>③ 5</p> <p>④ 1</p> <p>⑧ 1</p> <p>⑨ 12</p> <p>These holes are facing downwards.</p>	<p>⑤ 1</p> <p>⑥ 1</p> <p>⑦ 1</p> <p>⑧ 12</p> <p>⑨ 4</p> <p>(A) 4</p> <p>(B) 2</p> <p>(C) 2</p> <p>(D) 12</p>	<p>⑧ 12</p> <p>⑨ 4</p> <p>(I) 1</p> <p>(J) 1</p> <p>(K) 1</p> <p>(L) 1</p> <p>(M) 1</p>	<p>(E) 4</p> <p>(F) 2</p> <p>(G) 1</p> <p>(H) 4</p> <p>(I) 1</p> <p>(J) 1</p> <p>(K) 1</p> <p>(L) 1</p> <p>(M) 1</p>
---	---	--	---	--



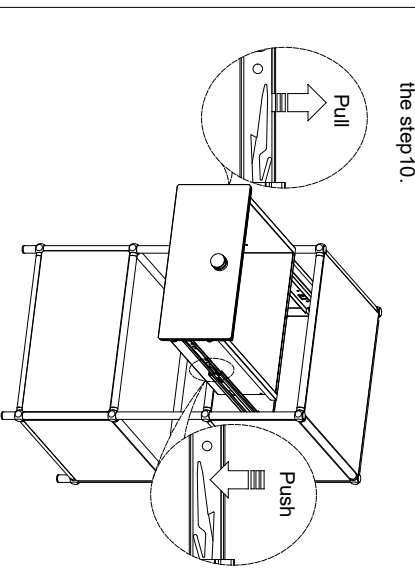
9 Don't tighten screws at this step.



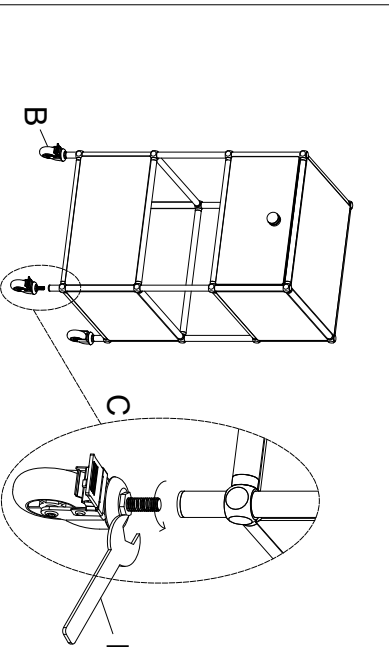
10 Pull out the rails on the side panels (A) and (B). Align the rails on the drawer (C) with them, then slide the drawer in gently and evenly.



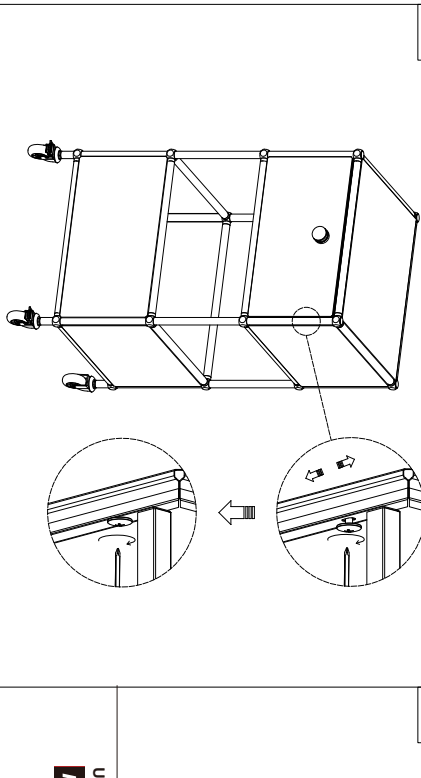
11 If the drawer is not installed properly, you need to hold the clip on both sides, pull out the drawer, and repeat the step 10.



12 If the drawer is not closing completely, adjust the wheels B or C as needed, ensure it is level for proper drawer closure. (use a spirit level if needed)



13 Tighten the screw (H) after drawer close perfectly.



14

